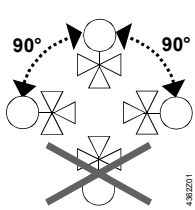
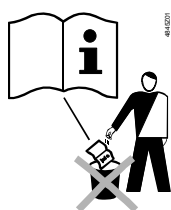


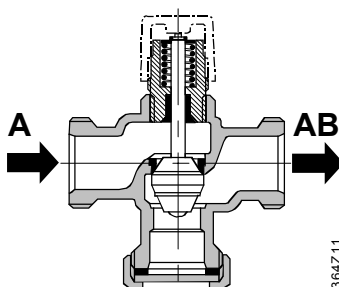
- de** Montageanleitung
- en** Mounting instructions
- fr** Instructions de montage
- sv** Monteringsinstruktion
- nl** Montage-handleiding
- it** Istruzioni di montaggio
- fi** Asennusohje
- es** Instrucciones de montaje
- da** Monteringsvejledning
- pl** Instrukcja montażu
- cz** Montážní návod
- hu** Szerelési útmutató
- el** Οδηγίες εγκατάστασης
- zh** 安裝指導

- Ventile PN16
- Valves PN16
- Vannes PN16
- Ventiler PN16
- Afsluiters PN16
- Valvole PN16
- Venttiilit PN16
- Válvulas PN16
- Ventiler PN16
- Zawory PN16
- Ventily PN16
- Szelepek PN16
- Βάνες PN16
- 阀门 PN16

VVG44...
VXG44...



VVG44...

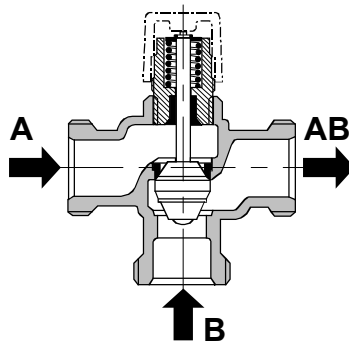


43864Z11



A → AB 0...100%

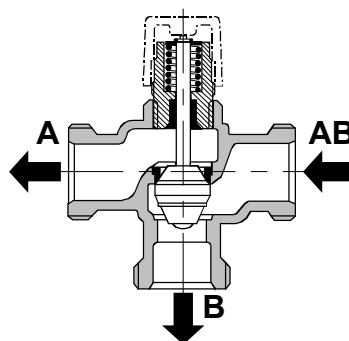
VXG44...



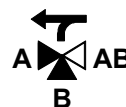
43864Z12



A → AB 0...100%
B → AB 100...0%

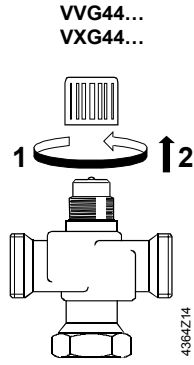


43864Z13

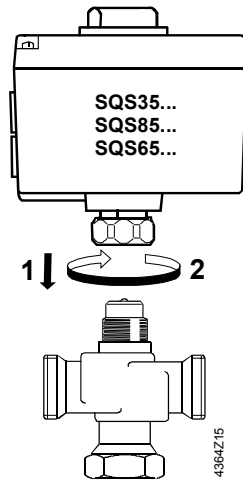


AB → A 0...100%
AB → B 100...0%

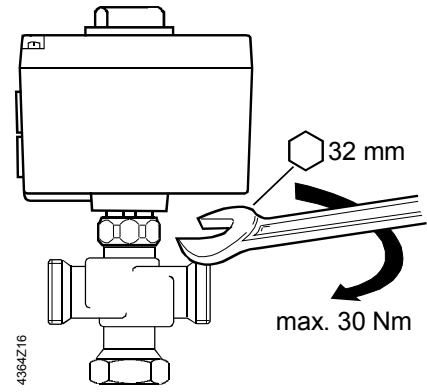
1



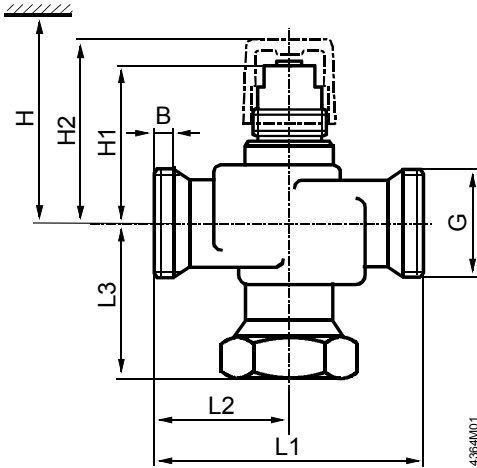
2



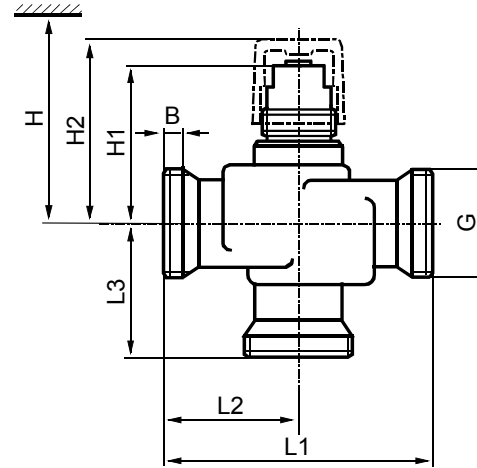
3



VVG44...

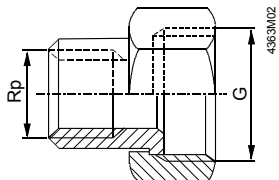


VXG44...



	DN	B [mm]	G ["]	L1 [mm]	L2 [mm]	L3 [mm]	H1 [mm]	H2 [mm]	H SQS...	kg	
VVG44.15-0.25	15	8.5	G1B	100	50	58	45	55	> 364	0.65	
VVG44.15-0.4							49	59			
VVG44.15-0.63							53	63			
VVG44.15-1							59	68	78	> 379	1.00
VVG44.15-1.6							62.5	71	81	> 382	1.48
VVG44.15-2.5							63.5	77.5	87.5	> 389	1.95
VVG44.15-4	20	9	G1¼B	130	65	76	80.5	90.5	> 392	2.75	
VVG44.20-6.3	25	11	G1½B	105	52.5	62.5	71	81	> 382	1.30	
VVG44.25-10	G2B		77.5				87.5	> 389	1.74		
VVG44.32-16	G2¼B		80.5				90.5	> 392	2.39		
VVG44.40-25											

	DN	B [mm]	G ["]	L1 [mm]	L2 [mm]	L3 [mm]	H1 [mm]	H2 [mm]	H SQS...	kg	
VXG44.15-0.25	15	8.5	G1B	100	50	50	45	55	> 364	0.55	
VXG44.15-0.4							49	59			
VXG44.15-0.63							53	63			
VXG44.15-1							59	68	78	> 379	0.90
VXG44.15-1.6							62.5	71	81	> 382	1.30
VXG44.15-2.5							63.5	77.5	87.5	> 389	1.74
VXG44.15-4	20	9	G1¼B	130	65	65	80.5	90.5	> 392	2.39	
VXG44.20-6.3	25	11	G1½B	105	52.5	62.5	71	81	> 382	1.30	
VXG44.25-10	G2B		77.5				87.5	> 389	1.74		
VXG44.32-16	G2¼B		80.5				90.5	> 392	2.39		
VXG44.40-25											



				G ["]	Rp ["]
ALG152	VVG44.15...	ALG153	VXG44.15...	G1	Rp½
ALG202	VVG44.20-6.3	ALG203	VXG44.20-6.3	G1¼	Rp¾
ALG252	VVG44.25-10	ALG253	VXG44.25-10	G1½	Rp1
ALG322	VVG44.32-16	ALG323	VXG44.32-16	G2	Rp1¼
ALG402	VVG44.40-25	ALG403	VXG44.40-25	G2¼	Rp1½