

Synco™ 200

## - RLU2...

x

x

x P, PI, PID

x

---

ey bkihevahZgby \ kbklfZo glbeyppb , dhgbbphgbhZgby b ohehkgZ[-  
 gby . Dhgljeej zaZ[hIZgu ey miZegby kefnxsbfb iZfifZfb:  
 lfiZlmZ , hghkblevgZy /Z[khexlgZy eZghklv , Zege\_ /ijZ^ Ze\_ -  
 gby, ihlhd haMoZ , dZgh haMoZ \ ihfsgbb b wglZeviby .

---

x <u[hj pfh\ Z[hlu : Dhfnh] , Wghfbb , AZsblguc  
 x HlhZgb\_ Idms]h pfZ Z[hlu (Dhfnh] , Wghfbb , AZsblguc )  
 x ey dZ]h dhglmZ miZegby : BgbbmZevgh gZklZbZfu\_ mklZdb h[h] -  
 Z b hoeZgby ey pfh\ Z[hlu Dhfnh] b Wghfbb  
 x Bafgg\_ mklZdb lfiZlmj k dhfgZlgh]h fhmey beb aZZlqdZ  
 x ey dZ]h dhglmZ miZegby Bafgg\_ mklZdb ip ihfhsb mZeggh]h  
 aZZlqdZ (Zdlbgh]h beb iZkkbgh]h )  
 x MklZdZ dhfgZlghc lfiZlmj k dhfigkZpbc elh / abfZ  
 x ey dZ]h dhglmZ miZegby : lJexgb\_ mklZdb \ aZbkbfhklb hl kb]-  
 gZeZ hl ZlqdZ , ulZgguo lhq aZimkdZ budexgby

- **Mggu\_** bhü ey :  
 x lZkkbgh]h beb Zdlbgh]h kb]gZeZ ey bafgguo agZgbc (°C, %, ---)  
 x Pbn]h]h bhgh]h kb]gZeZ (kmohcdhglZdl)

MgbkZevguc ihkeñZlevguc ]meylhj k 2 ihkeñZlevghklyfb gZ]j  
 Z b 2 ihkeñZlevghklyfb hoeZgby fh\_ bkihevahZlvky dZd dhglhee  
 ej k bfZfb P-, PI beb PID, beb dZdñngpbhZgguc dhglheej  
 x Dhglheej fh\_ [ulv kdghnb]mpbhZg dZd dZkdZguc dhglheej ey lf -  
 i]lmju \ dhfgZl\_ /gZ iplhd\_ k h]Zgbgbf lfi]lmju iplhdZ  
 x DZñc ihkeñZlevghklyfb fh\_ [ulv gZagZg ]mebjmxsbc wefgl (fh -  
 mebjmxsbc kb]gZe, klmigq]h\_ ]mebhZgb\_ ) b gZkhk. 2 ihkeñZlevgh -  
 klyfb fh]ml miZeylv hgbf b lf `wefglhf (gZij . hoeZgby\_ /hkmergby\_ )  
 x H[s\_ h]Zgbgb\_ (fbgbfmf/ fZdkbfmf gZ dZñc ihkeñZlevghklyfb , beb  
 Z[khexlgh\_ h]Zgbgb\_ , gZij . ey lfi]lmju beb eZghklyfb gZ iplhd\_ ),  
 beb hlghkblevgh\_ h]Zgbgb\_ (fZdkbfmf i]Zñ lfi]lmju \ dhfgZl\_ /gZ  
 iplhd\_ ). H]Zgbgb\_ ekml\_ gZ k\_ ihkeñZlevghklyfb .  
 FbgbfZevgh\_ h]Zgbgb\_ fh\_ [ulv mklZghegh gZ gbgc mklZd\_ ip ho  
 eZgbb (hoeZgby\_ k gihkñguf hoeZblef\_ )  
 x H]Zgbgb\_ fbgbfmfZ b fZdkbfmfZ ey ex]hc ba ihkeñZlevghklyfb ]m-  
 ebhZgby . H]Zgbgb\_ gZagZq]ky ba ]hc ihkeñZlevghklyfb (aZsblZ hl  
 h[e]gby ]miZ]hZ beb fZdkbfmf lfi]lmju h[Zldb dZeh]nZ  
 ih]Zley ).  
 x ;ehdb]dZ ex]hc ba ihkeñZlevghklyfb .  
 x Pbn]hc bh^ (i]Z ey gZ]Z k dhglheeZ h[h]Z ) ey bafgby  
 klZ]bb miZegby (dZkdZgh\_ ]mebhZgb\_ ), dhgnb]mpjmfuc .  
 x 2-klmigq]Zy aZsblZ hl aZfaZgby (ih lfi]lmju\_ /2-ihabpbhggy) beb lj\_ -  
 fhkZl aZsblu hl aZfaZgby (dexgb\_ h[h]Z gZ 100 %, Z]pcgh\_ e\_ -  
 udexgby ]lbeylh\ ) (ey RLU210 b RLU220 lhevdh bgbdZpby ) .  
 x MiZegb\_ gZkhkZfb , dexgb\_ beb ip gbadhc lfi]lmju\_ gZ]mgh]h ha -  
 moZ , beb kh]eZkgh ihkeñZlevghklyfb (dhf\_ RLU210 b RLU220)  
 x MiZegb\_ ZgZeh]hufb uohZfb (dhf\_RLU202). Dhgnb]mpjmfu\_ gr\_ -  
 gb\_ kb]gZeu (dhglheej bkihevam]ky dZdih]ZahZlev kb]gZeZ). Fbgbfm -  
 fu b fZdkbfu , bgkby (lhevdh ey RLU236).  
 x MiZegb\_ kfkblevgufb ha]rgufb aZkehgdZfb beb ]miZ]pbc lieZ k  
 fZdkbfZevgh wdghfguf i]dexgbf\_ (dhf\_ RLU202).  
 x MiZegb\_ fgh]hklmigq]luf mkl]cklhf kh klmigq]luf i]dexq]lef\_ , k  
 fZdkbfmf 6 klmigyfb b fh]mebjmxsbf uohhf .  
 Lhqb i]dexgby mklZgZebZxlky ey dZñc klmigb. <fy aZ]b .  
 <grgb\_ kb]gZeu (dZdihklh klmigq]luc i]dexq]lev\_ ). Fh]mebjmxsbc u -  
 oh^ k fbgbfmfhf b fZdkbfmfhf , bgkbc (lhevdh ey RLU236).  
 x MiZegb\_ fgh]hklmigq]luf mkl]cklhf kh klmigq]luf i]dexq]lef\_ , k  
 fZdkbfmf 6 klmigyfb b fh]mebjmxsbf uohhf .  
 NmgdpbbhbkZgu ur( g\_ ey RLU210 b RLU220).  
 x MiZegb\_ ihkeñZlevguf fgh]hklmigq]luf mkl]cklhf kh klmigq]luf  
 i]dexq]lef\_ , k fZdkbfmf 6 klmigyfb b fh]mebjmxsbf uohhf .  
 Lhqb i]dexgby mklZgZebZxlky ey dZñc klmigb . <fy aZ]b b  
 ip]ll\_ i]dexgby . <grgb\_ kb]gZeu (dZdihklh klmigq]luc i]dex -  
 q]lev\_ ). Fh]mebjmxsbc uoh^ k fbgbfmfhf b fZdkbfmfhf , bgkbc (lhevdh  
 ey RLU232 b RLU236).  
 x MiZegb\_ fgh]hklmigq]luf mkl]cklhf kh klmigq]luf i]dexq]lef\_ , k  
 4 e\_ ey 15 klmigb b fh]mebjmxsbf uohhf .Lhqb i]dexgby k [b -  
 gZghc eh]bdhc ]mevlbiedkhZ . <fy aZ]b . <grgb\_ kb]gZeu (dZdih -  
 klh klmigq]luc i]dexq]lev\_ ). Fh]mebjmxsbc uoh^ ey gZagZgby klmi\_ -  
 gc, k fbgbfmfhf b fZdkbfmfhf , bgkbc (lhevdh ey RLU232 b RLU236).  
 x MiZegb\_ 3-ihabpbhggufb ip]Zfb . <grgb\_ kb]gZeu (bkihevam]ky dZd3-  
 ihabpbhggucc ih]ZahZlev\_ ) (lhevdh ey RLU202 b RLU222). Ih]ZahZ -  
 gb\_ iZkkb]gh]h baf]gh]h kb]gZeZ \ Zdlbguc kb]gZe ey bkihevahZgby ]n -  
 ]bfb dhglheeZfb .

Типы	Универ- ные входы	Цифровые входы	Аналоговые выходы	Переключе- щие выходы	Количество рег-ров
<b>RLU210</b>	3	1	1	0	1
<b>RLU202</b>	4	1	0	2	1
<b>RLU220</b>	4	1	2	0	1
<b>RLU222</b>	4	1	2	2	1
<b>RLU232</b>	5	2	3	2	2
<b>RLU236</b>	5	2	3	6	2

Наименование	Тип
<p>фиды для фидов для</p> <p>(каналы ба 1 фидов фидов , 1 [фидов фидов , 2 фидов фидов , 4 фидов фидов фидов , фидов фидов фидов фидов )</p>	<b>ARG62.201</b>

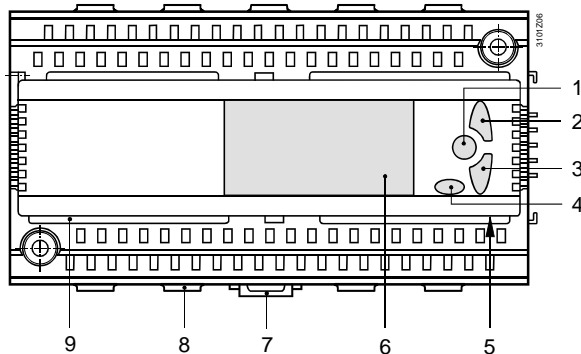
**И** аZdZa\_ihZemcklZ , mdZauZcl\_ gZaZgb\_ b lbi dhglheeZ , gZibfj\_ :  
 MgbkZevguc dhglheej\_ **RLU236**.  
 H[hjmhzgb\_mdZaZggh\_ \ Zae\_ " :dkkkmZju " , aZdZauZxlky hlevgh .

**е** y ihemgby bgnhfZpbb h khklbfbh h[hjmhzgbb , kf . HkghgmX hdm-  
 fglZpbx P3101 beb khijhblevgu\_ hdmfglu ey u[Zggh]h ipehgby .

Название	Документ
ghg_ hdmfglZpby , MgbkZevguc dhglheej_ RLU2...	<b>CE1P3101en</b>
<b>GZj</b> bgkljmdpbc (fhglZ` , gZeZdZ , Z[hIZ )	<b>74 319 0424 0</b>
<b>deP</b> khhlklby (CE)	<b>CE1T3101xx</b>
<b>deP</b> h aZsbl_ hdm` . k_ ey RLU210 b RLU222	<b>CE1E3101en01</b>
<b>deP</b> h aZsbl_ hdm` . k_ ey RLU230 b RLU236	<b>CE1E3101en02</b>

**DZc** dhglheej\_ khbl h 44 aZih]Zffbhzgguo ipehgbc . Ip gZ-  
 eZd\_ hdky khhlklmxsbc [Zahuc lbi . Ip wlfh Zdlbbjnxlky k\_ gh[ -  
 ohdfu\_ nmgdppb b iZfij\_ , iZfij\_ dhlju\_ g\_ l[mxlky ZlfZlbgdb  
 hidexxlky .  
 hiehgblevgh , ex[hc mgbkZevguc dhglheej\_ bf\_ 2 rZ[ehgZ ipehgby :  
 x 1 ey [Zahh]h lbiZ A (dhglheej\_ ey gibeypbb )  
 x 1 ey [Zahh]h lbiZ U (mgbkZevguc dhglheej\_ )  
 Ip ihfhsb klhgghc iZgeb hiZlhZ beb kpkgh]h gZ[hZ OC1700.1 k  
 dhglhee]f fhgh kZlv :  
 x :dlbZpbx aZih]Zffbhzggh]h ipehgby (kf . " KIZgZ]gu\_ aZih]Zf -  
 fbhZggu\_ ipehgby ")  
 x Bafgg\_ klZgZ]guo ipehgbc  
 x Kh[hgmX dhgnb]mZpbx ipehgbc  
 x HilbfaZpbx gZklhd dhglheeZ  
 HibkZgb\_ Z[hlu k Zggufb nmgdppbyb kf . \ Hkghghc hdmfglZpbb.

**Mgħguc** dhgllheej khklhbl ba [Zau k deffgbdZfb b nmgdpbhgZevghc  
 q̄klib k klhgghc iZgevx hiZlhZ .  
 ;ZaZ k deffgbdZfb fh\_ [ulv aZdjegZ gZ DIN-ḡd\_ beb rmjmiZfb d jeZ<sup>Δ</sup>  
 dhc ihḡghklib b khklhbl ba ieZklbdhh)h dhjmkZ k 2 mhḡyfb deff .  
 NmgdpbhgZevgZyq̄klib klZeylky \ [Zam NmgdpbhgZevgZyq̄klib khklhbl ba ieZ -  
 klbdhh)h dhjmkZ , khḡs)h iZlḡmx ieZlm .  
 lhghkvlx bglḡphZggū\_ kḡlZ aZbfhḡkliby .

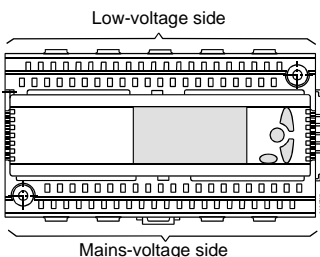


**Легенда**

- 1 DghidZ OK ēy ihḡby ṽ[Zggh)h fgx beb agZgby
- 2 DghidZ gZb)Zpbb ḡ (+) ēy ṽ[hZ fgx beb bafggby agZgby
- 3 DghidZ gZb)Zpbb ḡba (-) ēy ṽ[hZ fgx beb bafggby agZgby
- 4 DghidZ ESC ēy haZlZ \ iḡms\_ fgx beb k[hkZ ḡgh)h agZgby
- 5 DhffmgbdZpby ēy kḡkgh)h gZ[hZ (RJ45-Zatf )
- 6 ḡkiec
- 7 AZbf ēy fhḡlZZ gZ ḡdm
- 8 Kḡlh nbdkZpbb dZ[ey
- 9 Fklh ēy djrdb lḡbgZeZ



x Dhgllheejm gh[ohḡfh iblZgb\_ AC 24 <. JZ[hg gZiyḡb\_ ḡegh mhḡ  
 elhḡlv lḡhZgbyf SELV/PELV (keZ[hllgh\_ gZiyḡb\_ )  
 x Bkihevamfu\_ lḡgknhfZlhju ḡegu [ulv bahebhZgu , kh]eZkgh EN 60  
 742 beb EN 61 558-2-6.  
 x lḡdexḡleb b aZafegb\_ ḡegu khhlk)hZlv fklḡuf klZgḡZf .  
 x DZ[eb ḡlḡdh\ ḡegu bfb hleḡgh hl iḡhḡ\ , iblZxsbo ḡlbeylhju ,  
 iḡhḡ , gZkḡku b l . ^.  
 x Jdhfgmlky bkihevahZlv klZgḡJgu\_ ipehḡby . GklZgḡJgu\_ ipeh -  
 ḡby ihlḡmxl ḡihegbleḡghc gZklḡcdb b hleZḡb



x Dhgllheejm b fhḡmeb ḡkrbḡby iḡZagZgu ēy :  
 - FhḡlZZ \ klZgḡJguc DIN rdZn 43 880  
 - FhḡlZZ gZ klḡm , gZ ḡdm ih EN 50 022-35x7.5  
 - FhḡlZZ gZ klḡm , ip ihfhsb 2 rmjmih\  
 - FhḡlZ' gZ ḡm rdZnZ miZegby k ḡfdhc ARG62.201  
 x G\_ ḡajḡ fhḡlZ' \ kujuo b ḡZguo ihfsgbyo . ḡegu [ulv kh[exḡu  
 ḡimklbfu\_ mkehby hdjmZxsc kḡ .  
 x H[klhḡ\_ kbklfm ēy ihḡexḡby dhgllheej  
 x  
 x <k\_ keZ[hllghu\_ deffgbdḡ ḡkiheḡgu gZ ḡgc q̄klib dhgllheej , Z ēy  
 ḡ[hlu k ḡkhdbf gZiyḡbf - gZ ḡbḡc

DZtc deffgbd (ijmbuguc) fh\_ fsZlv lhevdh hbg hghbevguc ih -  
 h^ beb hbg fgh]hbevguc .ey ihdexgby ihhZ hegu [ulv aZqsgu  
 gZ 7 - 8 ff .ey ihdexgby b hldexgby dZ[ey d ijmbugghfm deffgbdm  
 gh[ohbfZ rebpZy hldZ ZafZ 1. Ip ihfhsb hldb deffgbd Za -  
 bfZlky b dZ[ev hblky beb lhbly \ hklb\_ .  
 x Dhgljeej\_ kgZg jmdhhRlf ih mklZghd\_ b fhglZm

x Dhgnb]mZpby b iZfij\_ klZgZguo ipehgbc , iZ]Zfuoo dhglje-  
 ehf fh]ml [ulv bafgg\_ \ ex[h\_ iy h[kembZxsbf ikhgZehf , h[m-  
 gguf Z[h\_ k HVAC-kbklfZfb b bfxsbf khhlklmxsb\_ iZV hklmiZ  
 ehdZevgh beb ip ihfhsb kpkgh]h gZ[hZ  
 x < ihpkk\_ gZeZdb ipehgby k\_ uohu dhgljeeZ Zdlbjmxlky b  
 ihylky \ hldexggh\_khklhygb\_  
 x lh aZ]gbb gZeZdb dhgljeej\_ ZlfZlbbdb aZimkdZlky \ Z[hlm  
 x lhke\_ uohZ ba fgx gZeZdb , ipnbcgu\_ mklhcklZ , ihdexggu\_ d  
 mgbkZevguf bhZf (dexay fhmeb Zkrbgby ) ZlfZlbbdb ihy -  
 xly . < kemā\_ hikmklby , \ dhgljeej\_ hagdgl lgh\_ kh[sgb\_  
 x Reb [ueb lueggu hkh[u\_ gZklhcd b ipehgby, bo phfgmky gklb  
 \ hdmfglZpbx b hbg wdafeiy oZgblv \ rdZnm mizegby .  
 x lhkehZlevghklv oklbc ip ihdexgbb dhgljeeZ d mklZghd\_ hib -  
 kZgZbgkljndpbb ih mklZghdb b fhglZm.

**herb** ieZklbdhu\_ qklb khZl fZlpZeu , khhlklmxsb\_ ISO/DIS 11  
 469 ey h[kigby [ahizkghc mlbebaZpbb

<b>(G, G0)</b>	<b>GZj</b>	AC 24 < r 20 %
	:ahizkgh_ keZ[hlhgh_ (SELV) / aZsblgh_ keZ[hlhgh_ gZijgb_ (PELV) L[hZgby [ahizkghklb ey iZgknhfZlhZ	HD 384 EN 60 742 / EN 61 558-2-6, fbg . 10 <*: , fZdk . 320 <*: 50/60 =p
	QZklhZ	
	Fhsgklv RLU202, RLU210, RLU220, RLU222 RLU232, RLU236	5 <*: 6 <*: fZdk . 10 A
	hhoZgblev	
<b>Bp</b> -gu_ bhū (X...)	Dhebb]h	Kf . "Lbiu "
	Zlqdb lZkkbgu_ :dlbgu_	LG-Ni1000, T1, Pt1000 2x LG-Ni1000 (kq_ ) DC 0...10 <.
	Bklhgdb kb]gZeh\ lZkkbgu_ :dlbgu_	0...1000 : / 1000...1175 : DC 0...10 <
<b>Pbnhu_</b> bhū (X..., D...)	DhglZdlu GZijgb_ Lhd	DC 15 < 5 f:
	L[hZgby ey bfimevkguo b dhglZdlh\ khklhygby Kb]gZe Lbi dhglZdlZ hdl]gdZy ihghklv baheypbb	kmohcdhglZdl , ihklhygguc beb bfimevkguc AC 3750 < ih EN 60 730
	hiklbfh_ khijlbegb_ DhglZdlu aZfdgmlu DhglZdlu Zahfdgmlu	fZdk . 200 : fbg . 50 k:

Ihabphg- sb\_ uohú Y...



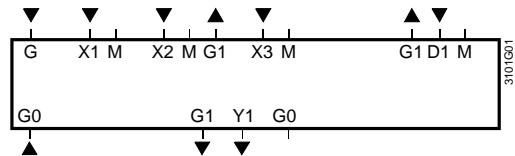
Ide -sb\_ uohú  
AC 230 < (Q1x...Q6x)

	ihabpbhgguo b ijexāxsbo uohú\	Kf . "Lbiu "
	uohgh_ gZijgb_	DC 0...10 <
	<uohghc lhd	r 1 f:
	FZdk. gZjmadZ	lhkhygh_ dhjldh_ aZfudZgb_
	hōZgblev	
	G_ hkkIzGZebZxsbcy	fZdk . 10 A
	:lhZlbgdbc	fZdk . 13 A
	<uohgh_ oZZdljpkldb	B, C, D ih EN 60 898
	əbgZ dZley	fZdk . 300 f
	Je_	
	ijexāxs_ gZijgb_	fZdk . AC 265 <
		fbg . AC 19 <
	AC lhd	fZdk . 4 A., bgmdp . 3 A (cos 3 = 0.6)
	lp 250 <	fbg . 5 f:
	lp 19 <	fbg . 20 f:
	Lhd imkdhhc	fZdk . 10 A (1 k)
	JZ[hIz ip AC 250 <	JjmebhāZ agZgby :
	lp 0.1 A	2 x 10 <sup>6</sup> pbdeh\
	lp 0.5 A	4 x 10 <sup>6</sup> pbdeh\ (hldjul dhglZdl)
		2 x 10 <sup>6</sup> pbdeh\ (ijdexgb_ )
	lp 4 A	3 x 10 <sup>5</sup> pbdeh\ (hldjul dhglZdl)
		1 x 10 <sup>5</sup> pbdeh\ (ijdexgb_ )
	Bgmdpbbgguc dhwnbpbgl . (cos 3 = 0.6)	0.85
	WljbāZy ihghklv baheypbb	
	Fm dhglZdlZfb ē_ b wedljhgbdhc kklfu (Zfbh -	
	ZggZy baheypby)	AC 3750 < ih EN 60 730-1
	Fm khkōbfb ē_ ( ihōhysZy baheypby)	
	Q1œQ2; Q3œQ4; Q5œQ6	AC 1250 < ih EN 60 730-1
	Fm jmiizfb ē_ ( ZfbhZggZy baheypby)	
	(Q1, Q2) œ (Q3, Q4) œ (Q5, Q6)	AC 3750 < ih EN 60 730-1
	GZijgb_	AC 24 <
	Lhd	fZdk . 4 A
	lhdexgb ip ihfhsb kpkgh)h gZ[hZ	RJ45
-	əyZkkbguo Zlqdh\ b ihabpbhgbjmxsbo kb]gZeh\	(dhjppby hrb[db bafgby )
	Lbi kb]gZeZ	
	LG-Ni1000, T1	fZdk . 300 f
	Pt1000	fZdk . 300 f
	0...1000 :	fZdk . 300 f
	1000...1235 :	fZdk . 300 f
	KmohcdhglZdl	fZdk . 300 f
	Bafplevgu_ b miZeyxs_ kb]gZeu ey DC 0...10 <	Kf . hdmfglZpbox dihēxāfh - fm mkljcklM
-	Değdb	ljmbgg_
	ey ihh\	0.6 ff ...2.5 ff <sup>2</sup>
	ey bluo ihh\ [a h]bfZ	0.25...2.5 ff <sup>2</sup>
	ey bluo ihh\ k h]bfZfb	0.25...1.5 ff <sup>2</sup>
	Kligv aZsblu dhjmkZ ih IEC 60 529	IP 20 (kfhglbhZggh_ )
	DeZkk[ahizkghklb ih EN 60 730	MkljcklM ijZagZgh ey Z- [hlu k h]hjmāZgbf_ deZkkZ [ahizkghklb II
	gIZ	IEC 60 721-3-3
	DebfZlbgdb_ mkehby	deZkk3K5
	LfiZlmZ (dhjmk b wedljhgbdZ )	0 ...50 °C
	<eZghklv	5...95 % ([a dhgōkZIZ )
	FoZgblgdb_ mkehby	deZkk3M2
	LZgkih]bhāZ	IEC 60 721-3-2
	DebfZlbgdb_ mkehby	deZkk2K3
	LfiZlmZ	25... 70 °C
	<eZghklv	<95 %
	FoZgblgdb_ mkehby	deZkk2M2
EN 60 730	ē Z[hlu , ZlhZlbgdh_ miZegb_	lbi 1B
	Mhgv aZjyaggby	2
	DeZkkih]Zffgh)h h[kigby	A
	Bfimevkgh ijZijgb_	4000 V
	LfiZlmZ klbhZgby dhjmkZ	125 °C

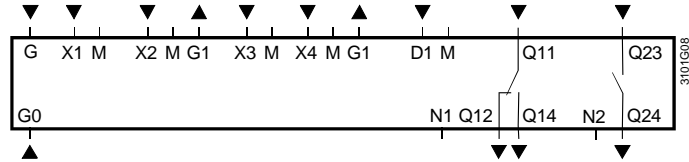
k deffgbdZfb	lhebZ[hgZl , RAL 7035 (kjc )
Dhjmk nmgdpbhgZevghcZkib	lhebZ[hgZl , RAL 7035 (kjc )
MiZdhZ	=hnpjZgguc dZ[hg
<b>EN</b> hmdZ	
WdhZhfZlbdZ ey [ulhh]h b koh]h ipfggby	EN 60 730-1
KipbZevgu_ l[hZgby ey wgh -dhglheeh\	EN 60 730-2-11
WdhfZ]gbgZy khkibfhklv	
Ihfghmkihchklv bgmkibZevguc	EN 61 000-6-2
BkimkdZfu_ ihfob hfZrgbc	EN 61 000-6-3
<b>CE</b> - khhlkib_	
EMC - khhlkib_	89/336/EEC
KeZ[hlguc_ - khhlkib_	73/23/EEC
<b>AS/NZS</b> -khhlkib_	
Australian EMC Framework	Radio communication act 1992
Radio Interference Emission Standard	AS/NZS 3548
RLU210	0,292 dj.
RLU202	0,334 dj.
RLU220	0,292 dj.
RLU222	0,334 dj.
RLU232	0,437 dj.
RLU236	0,481 dj.

<k [a miZdhZb

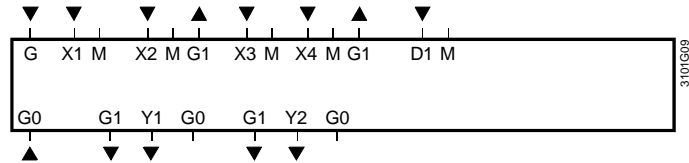
RLU210



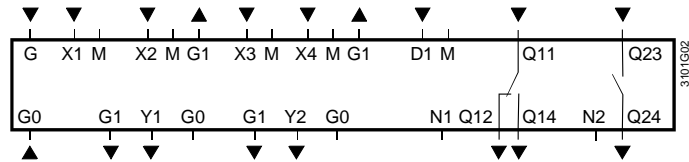
RLU202



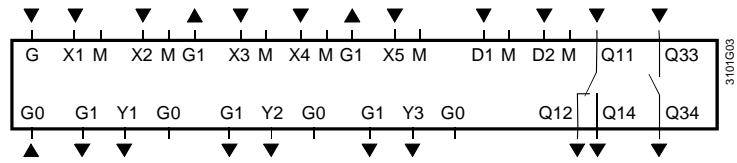
RLU220



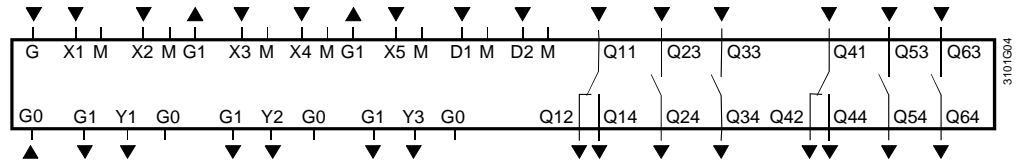
RLU222



RLU232



RLU236



**Легенда**

G, G0 GħfbgZevgh\_ gZijgb\_ AC 24 <  
 G1 <uohgh\_ gZijgb\_ AC 24 < ey iblZgby ĩrgbo Zdlbguo Žlqdh\ , bklhgbdh\ kb]gZeh\ , fhmeċ  
 M GclZev kb]gZevgh]h bhZ  
 G0 Kbk]fgZy gclZev uohZ  
 X... MgbkZevgu\_ bhá ey LG-Ni1000, 2x LG-Ni1000, T1, Pt1000, DC 0...10 V, 0...1000 : (= REM), 1000...1175 : (= REL)  
 X..., D... bh^ ey kmoh]hdhglZdlZ  
 Y... MiZegb\_ZgZeh]hufb uohZfb khklhygby DC 0...10 <  
 Q... <uohá kmobadhglZdlh\ ey AC 24...230 <  
 N1, N2 Deffu ey ihdexgby wefgh\ ihZegby ihfo

**Замечания**

x D dZhf m deffgbdm fh\_ [ulv ihdexg lhev dh 1 hghbevguc beb 1 fgh]hbevguc ih - h^ .  
 □ Reb bkihevamlky 3-ihabpbhguc AC 230 < iph^ , hegu [ulv ZdlbbabhZgu ihZbl\_ - eb Žbhihf : lhdxql\_ N1 d gmeħfm ihħm b mklZghbl\_ khbgg\_ fħ N1 b N2 (kf . kofm ihdexgby 5)



lhdexgb\_ bafp-  
levguo mkljckl

И :

Схема подключения 1: Часть измерительной схемы для основных и дополнительных резистивных датчиков

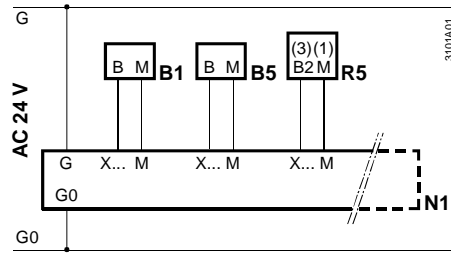
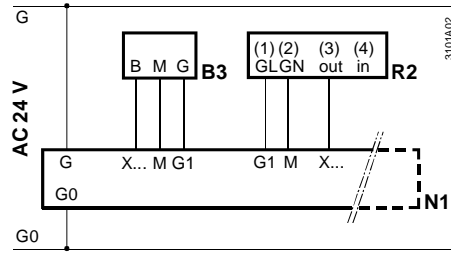
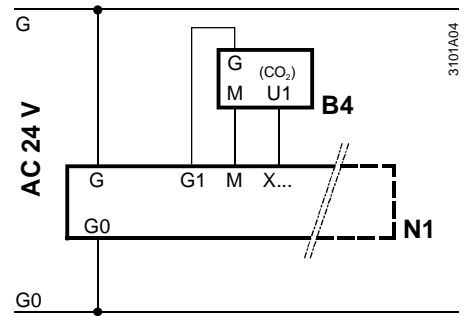
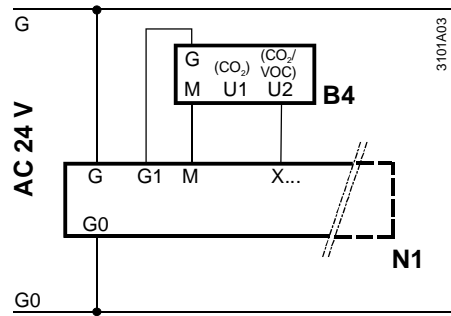


Схема подключения 2: Часть измерительной схемы для активных датчиков

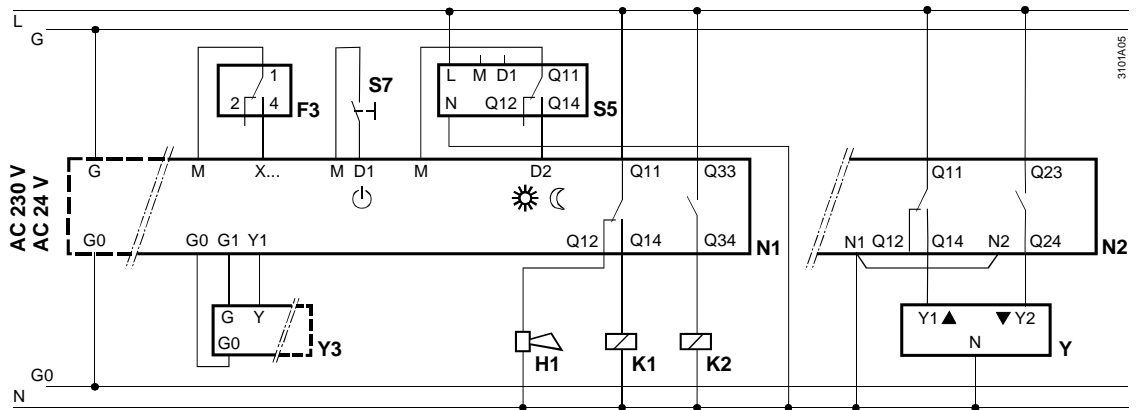


Схемы 3 и 4: Часть схемы для датчиков CO<sub>2</sub>/VOC с/без процессора для вентиляции



Kofu ey mijZegby b  
fhgblhpgjZ

Схема подключения 5:



Legend to the connection diagrams 1 through 5

N1	MgbkZevguc dhljheej_ RLU2...	K1	JZajgb_ gZ imkdjlbeylhZ
N2	MgbkZevguc dhljheej_ RLU222	K2	JZajgb_ gZ imkdgZkhhZ
B1	Zlhd lfizlmju iplhdZ QAM2120.040	R2	AZlhd lfizlmju BSG61
B3	LfhkIZI aZsblguc QAF63.2/QAF63...	R5	AZlhd lfizlmju BSG21.5
B4	CO <sub>2</sub> /VOC Zlhd hmoZ QPA2002/2002D	S4	;ehdbjmxsbc kb]gZe
B4	CO <sub>2</sub> Zlhd hmoZ QPA2000	S5	Pbnhhc lZcfj_ SEH62.1
B5	DhfgZlguc Zlhd lfizlmju QAA24	S7	Jmghec ijexZlev "On/Standby"
F3	Mkljcklh aZsblu hl aZfZgby QAF81...	Y	lph^ k 3-o ihabpbhg. mijZegbf
H1	Amdhhc kb]gZe hihsgby h]h_	Y3	lph^ k fhmebjmxsbf mijZeg

Замечание

ofu , khhlkggu\_ k lbiZfb, ipgu

ey ipfZ .

Тип	Базовый тип	Приложение № / описание	Схема оборудования / подключения
RLU210	A01	<p>ADA001 LU1 HQ</p> <p>MiZegb_ hfguf ihh]Zlef ey ih^ - Zgby T °C gZ llyd_ (\ ihfsgbb ).</p> <p>Опци:</p> <p><input type="checkbox"/> HJZgbgb_ fgbfmfZ b fZdkbfmfZ lfiZ Imju iplhdZ</p> <p>x MZegguc aZlq mklZdb</p>	
RLU210	A02	<p>ADA008 LU1 HQ</p> <p>MiZegb_ hfguf ihh]Zlef ey ih^ - Zgby L °C iplhdZ .</p> <p>Опци:</p> <p><input type="checkbox"/> DZkdZgh_ miZegb_ ih T °C \ ihfsgbb</p> <p>x MZegguc aZlq mklZdb</p>	
RLU210	A03	<p>ADA002 LU1 HQ</p> <p>MiZegb_ hfguf ihh]Zlef ey ih^ - Zgby T °C gZ llyd_ (\ ihfsgbb ).</p> <p>Опци:</p> <p><input type="checkbox"/> HJZgbgb_ fgbfmfZ b fZdkbfmfZ lfiZ Imju iplhdZ</p> <p>x DhfigkZpby ih gZjnghc lfiZlmj_</p>	
RLU210	A04	<p>ADA009 LU1 HQ</p> <p>MiZegb_ hfguf ihh]Zlef ey ih^ - Zgby L °C iplhdZ .</p> <p>Опци:</p> <p><input type="checkbox"/> DZkdZgh_ miZegb_ ih T °C \ ihfsgbb</p> <p>x DhfigkZpby ih gZjnghc lfiZlmj_</p>	
RLU210	A05	<p>ACAD01 LU1 HQ</p> <p>MiZegb_ aZkehdZfb pbdmepbb ey ih^ - Zgby T °C gZ llyd_ (\ ihfsgbb ), \ aZb - kbhklb hl gZjnghc lfiZlmj_ .</p> <p>Опци:</p> <p><input type="checkbox"/> &lt;grgyy beb gmlggyy mklZdZ hJZgbgby fgbfmfZ</p>	
RLU210	A06	<p>ADB001 LU1 HQ</p> <p>MiZegb_ hfguf hoeZblef ey ih^ Zgby T °C gZ llyd_ (\ ihfsgbb ).</p> <p>Опци:</p> <p><input type="checkbox"/> HJZgbgb_ fgbfmfZ b fZdkbfmfZ lfiZ Imju iplhdZ</p> <p>x MZegguc aZlq mklZdb</p>	

Тип	Базовый тип	Приложение № / описание	Схема оборудования / подключения
RLU210	A07	ADB005 LU1 HQ Mižegb_ hŷguf hoeZblef_ ey ihŷ Zgby L °C iplhdZ . Опциу: <input type="checkbox"/> DZkdZgh_ mižegb_ ih T °C \ ihfsgbb . x Mžegguc aZžlqd mklZdb	
RLU210	A08	ADB002 LU1 HQ Mižegb_ hŷguf hoeZblef_ ey ihŷ Zgby T °C gZ ulyd_ (\ ihfsgbb ). Опциу: <input type="checkbox"/> H]žgbgb_ fbgbfmZ b fZdkbfmZ lfijž - lmju iplhdZ x DhfigkZpby ih gZmŷhc lfijžlmj_	
RLU210	A09	ADB006 LU1 HQ Mižegb_ hŷguf hoeZblef_ ey ihŷ Zgby L °C iplhdZ . Опциу: <input type="checkbox"/> DZkdZgh_ mižegb_ ih T °C \ ihfsgbb . x DhfigkZpby ih gZmŷhc lfijžlmj_	
RLU210	A10	ADC001 LU1 HQ Mižegb_ hŷguf ihh]žlef_ /hoeZbl_ - ef_ ey ihžgby T °C gZ ulyd_ (\ ihf_ - sgbb ). Опциу: <input type="checkbox"/> DhfigkZpby ih gZmŷhc lfijžlmj_	
RLU210	A11	ABC001 LU1 HQ Mižegb_ hŷguf ihh]žlef_ /hoeZbl_ - ef_ ey ihžgby lfijžlmju gZ iplhd_ , k aZsblguf lfihklZlhf .	
RLU210	A12	ADA003 LU1 HQ Mižegb_ hŷguf ihh]žlef_ ey ih^ - žgby T °C gZ ulyd_ (\ ihfsgbb ), k aZ- sblguf lfihklZlhf . Опциу: <input type="checkbox"/> H]žgbgb_ fbgbfmZ b fZdkbfmZ lfijž - lmju iplhdZ	
RLU210	A13	ADA010 LU1 HQ Mižegb_ hŷguf ihh]žlef_ ey ih^ - žgby L °C iplhdZ , k aZsblguf lfihklZlhf . Опциу: <input type="checkbox"/> DZkdZgh_ mižegb_ ih T °C \ ihfsgbb .	

Тип	Базовый тип	Приложение № / описание	Схема оборудования / подключения
RLU210	U01	ADKA01 LU1 HQ MijZegb_ mēZgblef_k nhjmgdZfb , ēy ihZgby ēZghklb haŋoZ gZ lŋyd_ . Opŋuu: <input type="checkbox"/> HjZggbg_ fZdkbfmZ ēZghklb gZ iplhd_ x MZēgguc aZŋlŋd mklZdb	
RLU210	U02	PB001 LU1 HQ MijZegb_ gZkhkhf ifgghc ihbahb - lēvgghklb ēy ihZgby Zaghklb Zēgbc hō . Opŋuu: <input type="checkbox"/> K hjZggbgf_ fbgbfZevghjh b fZdkbfZevghjh Zēgby x MZēgguc aZŋlŋd mklZdb	
RLU210	U03	AZL001 LU1 HQ MijZegb_ ŋlbeylhfh ifgghc ihbah - blēvgghklb ēy ihZgby Zaghklb Zē- gbc haŋoZ Opŋuu: <input type="checkbox"/> K hjZggbgf_ fbgbfZevghjh b fZdkbfZevghjh Zēgby x MZēgguc aZŋlŋd mklZdb	
RLU210	U04	ADI001 LU1 HQ MijZegb_ hŋguf hoeZblef ēy ihŋ Zgby ēZghklb haŋoZ lŋyd (dhfgZlghjh) . Opŋuu: <input type="checkbox"/> <grgyy beb ŋmlŋgyy mklZdZ hjZggbgy fbgbfmZ x MZēgguc aZŋlŋd mklZdb	
RLU210	U05	ADI002 LU1 HQ MijZegb_ hŋguf hoeZblef ēy ihŋ Zgby ēZghklb haŋoZ lŋyd (dhfgZlghjh) . Opŋuu: <input type="checkbox"/> <grgyy beb ŋmlŋgyy mklZdZ hjZggbgy fbgbfmZ x MZēgguc aZŋlŋd mklZdb	
RLU210	U06	AAZD01 LU1 HQ MijZegb_ aZkehgdZfb pŋŋmēyppb ēy ih^ - Zgby dZŋlZ haŋoZ . Opŋuu: <input type="checkbox"/> <grgyy beb ŋmlŋgyy mklZdZ hjZggbgy fbgbfmZ x MZēgguc aZŋlŋd mklZdb	
RLU202	A01	ADA006 LU2 HQ MijZegb_ wedlŋihh]Zlef ēy ihŋ Zgby T °C gZ lŋyd_ ( \ ihfsgbb ) . Opŋuu: <input type="checkbox"/> HjZggbg_ fbgbfmZ b fZdkbfmZ lfiz - lŋju iplhdZ x DhfigkZpby ih gZŋghc lfizlŋj_ x MZēgguc aZŋlŋd mklZdb x 2-Zy klmigv wedlŋihh]Zley	

Тип	Базовый тип	Приложение № / описание	Схема оборудования / подключения
RLU202	A02	<p>ADA012 LU0 HQ</p> <p>Mižegb_ wedlhih)žlef_ ey ih^</p> <p>Zgby L °C iplhdZ .</p> <p>Opцуu:</p> <p>□ DZkdZgh_ mižegb_ ih T °C \ ihfsgbb .</p> <p>x DhfigkZpby ih gZmghc lfižlmj_</p> <p>x Mžegguc aZžlqd mklZdb</p> <p>x 2-Zy klmigv wedlhih)žley</p>	
RLU202	A03	<p>ADA014 LU0 HQ</p> <p>Mižegb_ hýguf ihh)žlef_ ey ih^ -</p> <p>žgby L °C iplhdZ .</p> <p>Opцуu:</p> <p>□ DZkdZgh_ mižegb_ ih T °C \ ihfsgbb .</p> <p>x DhfigkZpby ih gZmghc lfižlmj_</p> <p>x Mžegguc aZžlqd mklZdb</p>	
RLU202	A04	<p>ADB003 LU0 HQ</p> <p>Mižegb_hoeZblef_ ijfhjh_ žklby_ ey</p> <p>ihžgby T °C gZ lylđ_ ( \ ihfsgbb ).</p> <p>Opцуu:</p> <p>□ Hjžggbg_ fbgbfmZ b fZdkbfmZ lfiž_ -</p> <p>lmju iplhdZ</p> <p>x DhfigkZpby ih gZmghc lfižlmj_</p> <p>x Mžegguc aZžlqd mklZdb</p> <p>x 2-Zy klmigv hoeZbley</p>	
RLU202	A05	<p>ADB007 LU0 HQ</p> <p>Mižegb_hoeZblef_ ijfhjh_ žklby_ ey</p> <p>ihžgby L °C iplhdZ .</p> <p>Opцуu:</p> <p>□ DZkdZgh_ mižegb_ ih T °C \ ihfsgbb</p> <p>x DhfigkZpby ih gZmghc lfižlmj_</p> <p>x Mžegguc aZžlqd mklZdb</p> <p>x 2-Zy klmigv hoeZbley</p>	
RLU202	A06	<p>AEC001 LU0 HQ</p> <p>Mižegb_hýguf_ ihh)žlef_b_ hoeZb -</p> <p>lef_ ijfhjh_ žklby_ ey ihžgby T °C</p> <p>gZ lylđ_ ( \ ihfsgbb ).</p> <p>Opцуu:</p> <p>□ Hjžggbg_ fbgbfmZ b fZdkbfmZ lfiž_ -</p> <p>lmju iplhdZ</p> <p>x DhfigkZpby ih gZmghc lfižlmj_</p> <p>x Mžegguc aZžlqd mklZdb</p>	
RLU202	A07	<p>AEC002 LU0 HQ</p> <p>Mižegb_hýguf_ ihh)žlef_b_ hoeZb -</p> <p>lef_ ijfhjh_ žklby_ ey ihžgby L °C</p> <p>iplhdZ .</p> <p>Opцуu:</p> <p>□ DZkdZgh_ mižegb_ ih T °C \ ihfsgbb</p> <p>x DhfigkZpby ih gZmghc lfižlmj_</p> <p>x Mžegguc aZžlqd mklZdb</p>	
RLU202	U01	<p>ADKA02 LU0 HQ</p> <p>Mižegb_ mežgblef_k_ nhkmgdZfb_ , ey</p> <p>ihžgby_ žZghklb_ haŋoZ_ gZ lylđ_ .</p> <p>Opцуu:</p> <p>□ Hjžggbg_ fZdkbfmZ_ žZghklb_ gZ iplhd_</p> <p>x Mžegguc aZžlqd mklZdb</p> <p>x 2-Zy klmigv mežgbley</p>	

Тип	Базовый тип	Приложение № / описание	Схема оборудования / подключения
RLU202	U02	<p>AD1003 LU0 HQ</p> <p>MijZegb_hoeZblef_ ij/fh)h_ oklby_ , ey ihZgby_ eZghklb_ haMoZ_ gZ_ulyd_ .</p> <p>Onquu:</p> <p><input type="checkbox"/> &lt;grgyy_ beb_ gmlggyy_ mklZdZ_ hJZgbgby_ fbgbfmZ</p> <p>x DhjlbhZ_ mklZdb_ eZghklb_ \_ azbkbfb_ - klb_ hl_ lfiZlmju_ \_ ihfsgbb</p> <p>x MZeegguc_ aZlIqd_ mklZdb</p> <p>x 2-Zy_ klmigv_ hoeZbley</p>	
RLU202	U03	<p>AD1005 LU0 HQ</p> <p>MijZegb_hoeZblef_ ij/fh)h_ oklby_ , ey ihZgby_ eZghklb_ haMoZ_ gZ_ulyd_ .</p> <p>Onquu:</p> <p><input type="checkbox"/> &lt;grgyy_ beb_ gmlggyy_ mklZdZ_ hJZgbgby_ fbgbfmZ</p> <p>x DhjlbhZ_ mklZdb_ eZghklb_ \_ azbkbfb_ - klb_ hl_ lfiZlmju_ \_ ihfsgbb</p> <p>x MZeegguc_ aZlIqd_ mklZdb</p> <p>x 2-Zy_ klmigv_ hoeZbley</p>	
RLU202	U04	<p>ADZA01 LU0 HQ</p> <p>MijZegb_hoeZblef_ ij/fh)h_ oklby_ b_ m\ - eZgblef_ , ey ihZgby_ eZghklb_ haM_ - oZ_ gZ_ulyd_ .</p> <p>Onquu:</p> <p><input type="checkbox"/> HJZgbgb_ eZghklb_ gZ_ iplhd_</p> <p>x &lt;grgyy_ beb_ gmlggyy_ mklZdZ_ hJZgbgby_ fbgbfmZ</p> <p>x MZeegguc_ aZlIqd_ mklZdb</p>	
RLU202	U05	<p>AZZ001 LU0 HQ</p> <p>MijZegb_kdhjklvx_ glbeylhZ_ , ey dhglh_ - ey_ dZlIz_ haMoZ_ .</p> <p>Onquu:</p> <p><input type="checkbox"/> &lt;grgyy_ beb_ gmlggyy_ mklZdZ_ hJZgbgby_ fbgbfmZ</p> <p>x DhfigkZpby_ ih_ gZjnghc_ lfiZlmj_</p> <p>x MZeegguc_ aZlIqd_ mklZdb</p> <p>x 2-o_ kdhjklghc_ glbeylhj</p>	
RLU202	U06	<p>HZC001 LU0 HQ</p> <p>MijZegb_lfiZlmjh_ \_ kfkblevghf_ dhg_ - lmj_ hlhiegb_ .</p> <p>Onquu:</p> <p><input type="checkbox"/> HJZgbgb_ fbgbfmZ_ hJZlghc_ lfiZlmju_</p> <p>x DhfigkZpby_ ih_ gZjnghc_ lfiZlmj_</p> <p>x MZeegguc_ aZlIqd_ mklZdb</p>	
RLU202	U07	<p>HZC002 LU0 HQ</p> <p>Dhglhev_ fbgfZevgh)h_ agZgby_ lfiZlmju_ hJZlghc_ h0_ \ [hcej_ (aZfgZ_ ey_ RCA12.2) \ kfkblevghf_ dhglmj_ hlhiegb_ .</p> <p>x MZeegguc_ aZlIqd_ mklZdb_ (Z[khexlghc_ )</p> <p>x lJexgb_ Dhfnh) /AZsblguc</p>	
RLU202	U08	<p>ADC019 LU0 HQ</p> <p>MgbkZevgh_ ipehg_ (aZfgZ_ ey_ RKN2 / RKN22), dhglhev_ lfiZlmju_ dexgbf_ b_ u_ - dexgbf_ gZkhkh\</p> <p>Onquu:</p> <p><input type="checkbox"/> MZeegguc_ aZlIqd_ mklZdb_ (Z[khexlghc_ )</p> <p>x lJexgb_ Dhfnh) /AZsblguc</p>	

Тип	Базовый тип	Приложение № / описание	Схема оборудования / подключения
RLU202	U09	SA0001 LU0 HQ Dhglhev Zagbpu lfiZlmj (aZfgZ ey RSA24), khoZggg_ khegggc wglbb. Опциу: <input type="checkbox"/> H]Zgbgb_ ih fZdkbfmfm T °C \ [hcej_ x H]Zgbgb_ ih fbgbfmfm T °C aZydb	
RLU202	U10	ZZZ001 LU0 HQ 3-o ihabpbhgguc iph^	
RLU202	U11	ZZZ002 LU0 HQ 2-o ihabpbhgguc idexZlev	
RLU220	A01	ADA001 LU2 HQ MizZegb hYguf ihh]Zlef_ey ih^ - Zgby T °C gZ luyd_ (\ ihfsgbb ). Опциу: <input type="checkbox"/> H]Zgbgb_ fbgbfmZ b fZdkbfmZ lfiZlmj - Imju iphdZ x MZegguc aZZlbd mklZdb x DhfigkZpby ih gZmghc lfiZlmj_	
RLU220	A02	ADA008 LU2 HQ MizZegb hYguf ihh]Zlef_ey ih^ - Zgby L °C iphdZ . Опциу: <input type="checkbox"/> DZkdZgh_ miZegb_ ih T °C \ ihfsgbb x MZegguc aZZlbd mklZdb x DhfigkZpby ih gZmghc lfiZlmj_	
RLU220	A03	ADA003 LU2 HQ MizZegb hYguf ihh]Zlef_ey ih^ - Zgby T °C gZ luyd_ (\ ihfsgbb ), k aZ-sblguf lfhkZlhf . Опциу: <input type="checkbox"/> H]Zgbgb_ fbgbfmZ b fZdkbfmZ lfiZlmj - Imju iphdZ x DhfigkZpby ih gZmghc lfiZlmj_	
RLU220	A04	ADA010 LU2 HQ MizZegb hYguf ihh]Zlef_ey ih^ - Zgby L °C iphdZ , k aZsblguf lfhkZlhf Hipbb : x DZkdZgh_ miZegb_ ih T °C \ ihfsgbb x DhfigkZpby ih gZmghc lfiZlmj_	

Тип	Базовый тип	Приложение № / описание	Схема оборудования / подключения
RLU220	A05	<p>ADA017 LU2 HQ</p> <p>Mižegb hñguf ihñjžlef.ey ih^ - žgby T °C gZ luyd_ (\ ihfsgbb ), k aZsblguf lfñkZlhf .</p> <p>Opuu:</p> <p><input type="checkbox"/> Hñžgbgb_ fbgbfmZ b fZdkbfmZ lfiž - Imju iplhdZ</p> <p>x Mžegguc aZžlqd mklZdb</p>	
RLU220	A06	<p>ADB001 LU2 HQ</p> <p>Mižegb hñguf hoeZblef , ey ih^ - Zgby T °C gZ luyd_ (\ ihfsgbb ).</p> <p>Opuu:</p> <p><input type="checkbox"/> Hñžgbgb_ fbgbfmZ b fZdkbfmZ lfiž - Imju iplhdZ</p> <p>x Mžegguc aZžlqd mklZdb</p> <p>x DhfigkZpby ih gZjñghc lfižImj_</p>	
RLU220	A07	<p>ADB005 LU2 HQ</p> <p>Mižegb hñguf hoeZblef , ey ih^ - Zgby L °C iplhdZ .</p> <p>Opuu:</p> <p><input type="checkbox"/> DZkdZgh_ mižegb_ ih T °C \ ihfsgbb</p> <p>x Mžegguc aZžlqd mklZdb</p> <p>x DhfigkZpby ih gZjñghc lfižImj_</p>	
RLU220	A08	<p>ACAD01 LU2 HQ</p> <p>Mižegb aZkehdZfb pbdmepbb , ey ih^ - žgby T °C gZ luyd_ (\ ihfsgbb ), k dhf - igkZpbc ih gZjñghc lfižImj_ .</p> <p>Opuu:</p> <p><input type="checkbox"/> &lt;grgyy beb ģmlġgyy mklZdZ hñžgbgby fbgbfmZ</p>	
RLU220	A09	<p>ABC001 LU2 HQ</p> <p>Mižegb hñguf ihñjžlef/hoeZbl_ ef , ey ihžgby L °C iplhdZ , k aZsblguf lfñkZlhf .</p> <p>Opuu:</p> <p><input type="checkbox"/> DhfigkZpby ih gZjñghc lfižImj_</p>	
RLU220	A10	<p>ADC021 LU2 HQ</p> <p>Mižegb hñguf ihñjžlef.b hoeZb - lef , ey ihžgby T °C gZ luyd_ (\ ih - fsgbb ).</p> <p>Opuu:</p> <p><input type="checkbox"/> DZkdZgh_ mižegb_ ih T °C \ ihfsgbb</p> <p>x DhfigkZpby ih gZjñghc lfižImj_</p> <p>x Mžegguc aZžlqd mklZdb</p>	
RLU220	A11	<p>ADC023 LU2 HQ</p> <p>Mižegb hñguf ihñjžlef.b hoeZb - lef , ey ihžgby L °C iplhdZ .</p> <p>Opuu:</p> <p><input type="checkbox"/> DZkdZgh_ mižegb_ ih T °C \ ihfsgbb</p> <p>x DhfigkZpby ih gZjñghc lfižImj_</p> <p>x Mžegguc aZžlqd mklZdb</p>	



Тип	Базовый тип	Приложение № / описание	Схема оборудования / подключения
RLU220	A12	ADC022 LU2 HQ Mizēgb hŷguf ihhJZlef b hoeZb - lef , ēy ihZgby T °C gZ luyd_ ( \ ih - fsgbb ), k aZsblguf lfhkIZlf . Opquu: <input type="checkbox"/> HJZggbg_ fbgbfmZ b fZdkbfmZ lfjZ - lmju iplhdZ x DhfigkZpby ih gZmŷhc lfjZlmj_	
RLU220	A13	ADC024 LU2 HQ Mizēgb hŷguf ihhJZlef b hoeZb - lef , ēy ihZgby L °C iplhdZ , k aZsbl - guf lfhkIZlf . Opquu: <input type="checkbox"/> DZkdZgh_ miZēgb_ ih T °C \ ihfsgbb x DhfigkZpby ih gZmŷhc lfjZlmj_	
RLU220	A14	AEAF03 LU2 HQ Mizēgb ŷmiZlhjf lieZ b hŷguf ih - hJZlef , ēy ihZgby T °C gZ luyd_ ( \ ihfsgbb ). Opquu: <input type="checkbox"/> HJZggbg_ fbgbfmZ b fZdkbfmZ lfjZ - lmju iplhdZ x DhfigkZpby ih gZmŷhc lfjZlmj_ x MZēgguc aZŽlŷd mklZdb	
RLU220	A15	AEAF04 LU2 HQ Mizēgb ŷmiZlhjf lieZ b hŷguf ih - hJZlef , ēy ihZgby L °C iplhdZ . Opquu: <input type="checkbox"/> DZkdZgh_ miZēgb_ ih T °C \ ihfsgbb x DhfigkZpby ih gZmŷhc lfjZlmj_ x MZēgguc aZŽlŷd mklZdb	
RLU220	A16	AEAD03 LU2 HQ Mizēgb aZkehdZfb ŷbjtmeypbb b hŷguf ihhJZlef ēy ihZgby T °C gZ luy_ - d_ ( \ ihfsgbb ), k aZsblguf lfhkIZlf . Opquu: <input type="checkbox"/> HJZggbg_ fbgbfmZ b fZdkbfmZ lfjZ - lmju iplhdZ x DhfigkZpby ih gZmŷhc lfjZlmj_	
RLU220	A17	AEAD04 LU2 HQ Mizēgb aZkehdZfb ŷbjtmeypbb b hŷguf ihhJZlef , ēy ihZgby L °C iplhdZ , k aZsblguf lfhkIZlf . Opquu: <input type="checkbox"/> DZkdZgh_ miZēgb_ ih T °C \ ihfsgbb x DhfigkZpby ih gZmŷhc lfjZlmj_	
RLU220	A18	ADB012 LU2 HQ Mizēgb_ hŷguf hoeZblef k ŷfy jZ - ŷgyfb , ēy ihZgby T °C gZ luyd_ . Opquu: <input type="checkbox"/> HJZggbg_ fbgbfmZ b fZdkbfmZ lfjZ - lmju gZ iplhd_ x DhfigkZpby ih gZmŷhc lfjZlmj_ x MZēgguc aZŽlŷd mklZdb	

Тип	Базовый тип	Приложение № / описание	Схема оборудования / подключения
RLU220	U01	ADKA01 LU2 HQ MijZegb_ mēZgblef_ k nhkmgdZfb , ēy ihZgby ēZghkib gZ luyd_ . Opuuu: <input type="checkbox"/> HJZgbgb_ fZdkbfmZ ēZghkib gZ iplhd_ x MZēgguc aZēlqd mklZdb x lēxgb_ Dhfnh / Wghfby	
RLU220	U02	ADI001 LU2 HQ MijZegb_ hYguf hoeZblef_ ēy ihZgby ēZghkib ( hlgkblevghc ) hafoZ u - lydb ( dhfgZlghjh ) . Opuuu: <input type="checkbox"/> <grgyy beb gmlggyy mklZdZ hJZgbgby fbgbfmZ x MZēgguc aZēlqd mklZdb	
RLU220	U03	ADI002 LU2 HQ MijZegb_ hYguf hoeZblef_ ēy ihZgby ēZghkib ( Z[khexlghc ] hafoZ luydb (dhfgZlghjh ) . Opuuu: <input type="checkbox"/> <grgyy beb gmlggyy mklZdZ hJZgbgby fbgbfmZ x MZēgguc aZēlqd mklZdb	
RLU220	U04	PB0001 LU2 HQ MijZegb_ kdhkvlx gZkhkZ ēy ihZgby Zaghkib Zēgby hā . Opuuu: <input type="checkbox"/> HJZgbgb_ Zēgby x DhfigkZpby ih gZjnghc lfiZlmi_ x MZēgguc aZēlqd mklZdb	
RLU220	U05	PB0004 LU2 HQ MijZegb_ kdhkvlx gZkhkh\ , ēy ihZgby Zaghkib Zēgby hā . Opuuu: <input type="checkbox"/> HJZgbgb_ Zēgby x DhfigkZpby ih gZjnghc lfiZlmi_ x MZēgguc aZēlqd mklZdb	
RLU220	U06	AZL001 LU2 HQ MijZegb_ kdhkvlx glbeylhZ , ēy ihZgby Zgby Zaghkib Zēgby hafoZ . Opuuu: <input type="checkbox"/> HJZgbgb_ Zēgby x MZēgguc aZēlqd mklZdb	
RLU220	U07	AZL004 LU2 HQ MijZegb_ kdhkvlx glbeylh\ , ēy ihZgby Zgby Zaghkib Zēgby hafoZ . Opuuu: <input type="checkbox"/> HJZgbgb_ Zēgby x DhfigkZpby ih gZjnghc lfiZlmi_ x MZēgguc aZēlqd mklZdb	

Тип	Базовый тип	Приложение № / описание	Схема оборудования / подключения
RLU220	U08	AAZD01 LU2 HQ Mizēgb_ aZkehgZfb p̄bj̄m̄eypbb , ēy ih^ - žgby dZk̄lZ h̄amoZ \ ihfsgbb . Опциу: <input type="checkbox"/> <grgyy beb ģm̄l̄ggyy mklZdZ h̄jZgbgy fbgbmfZ x Mžegguc aZžl̄qd mklZdb	
RLU220	U09	CZC002 LU2 HQ lhžgb_ lfijZlmj_ ohehguo ihlhedh\ . Опциу: <input type="checkbox"/> DhfigkZpby mklZdb L °C hl bZghklb x Lh̄jZ ip hldehgbb lfijZlmj_	
RLU220	U10	ADC025 LU2 HQ MgbkZevgh_ ipehgb_ (aZfgZ ēy RKN8 / RKN88) , dhglhev lfijZlmj_ ģmfy fh̄m̄eb - jmxsfb j̄m̄eylhžfb . Опциу: <input type="checkbox"/> Mžegguc aZžl̄qd mklZdb (Z[khexlghc ) x l̄j̄exgb_ Dhfnh̄ /AZsbguc	
RLU222	A01	ADA006 LU2 HQ Mizēgb_wed̄lh̄ih̄jZlef_ , ēy ih^ - žgby T °C gZ l̄yd_ (\ ihfsgbb ). Опциу: <input type="checkbox"/> H̄jZgbgb_ fbgbmfZ b fZdkbmfZ lfijZ_ - lmj_ ip̄lhdZ x DhfigkZpby ih gZm̄ghc lfijZlmj_ x Mžegguc aZžl̄qd mklZdb x 2-Zy klmigv wed̄lh̄ih̄jZley	
RLU222	A02	ADA012 LU2 HQ Mizēgb_wed̄lh̄ih̄jZlef_ . ēy ih^ - žgby L °C ip̄lhdZ . Опциу: <input type="checkbox"/> DZkdZgh_ mizēgb_ ih T °C \ ihfsgbb x DhfigkZpby ih gZm̄ghc lfijZlmj_ x Mžegguc aZžl̄qd mklZdb x 2-Zy klmigv wed̄lh̄ih̄jZley	
RLU222	A03	ADA014 LU2 HQ Mizēgb_h̄ȳguf_ ih̄h̄jZlef_ ēy ih^ - žgby L °C ip̄lhdZ . Опциу: <input type="checkbox"/> DZkdZgh_ mizēgb_ ih T °C \ ihfsgbb x DhfigkZpby ih gZm̄ghc lfijZlmj_ x Mžegguc aZžl̄qd mklZdb	
RLU222	A04	ADA004 LU0 HQ Mizēgb_ h̄ȳguf_ ih̄h̄jZlef_ , ēy ih^ - žgby L °C gZ l̄yd_ (\ ihfsgbb ), k aZ- sblguf lf̄h̄klZhf_ b ģlbeylh̄hf_ . Опциу: <input type="checkbox"/> H̄jZgbgb_ fbgbmfZ b fZdkbmfZ lfijZ_ - lmj_ gZ ip̄lhd_ x DhfigkZpby ih gZm̄ghc lfijZlmj_	

Тип	Базовый тип	Приложение № / описание	Схема оборудования / подключения
RLU222	A05	<p>ADA005 LU2 HQ</p> <p>Mižegb_ hŷguf ihh]žlef_ ěy ih^ - žgby T °C gZ lŷd_ (\ ihfsgbb ), k aZ-sblguf lfhk]Zlf b ğlbeylhjf .</p> <p>Opŷuu:</p> <p>□ H]žggbg_ fbgbfmZ b fZdkbfmZ lfiž - Imju gZ iplhd_</p> <p>x Mžegguc aZžlqd mklZdb</p>	
RLU222	A06	<p>ADA0011 LU2 HQ</p> <p>Mižegb_ hŷguf ihh]žlef_ ěy ih^ - žgby L °C iplhdZ , k aZsblguf lfhk]Zlf b ğlbeylhjf .</p> <p>Opŷuu:</p> <p>□ DZkdžh_ mižegb_ ih T °C \ ihfsgbb</p> <p>x DhfigkZpby ih gZmghc lfižImj_</p> <p>x Mžegguc aZžlqd mklZdb</p>	
RLU222	A07	<p>ADB003 LU2 HQ</p> <p>Mižegb_ hoeZblef_ ijfh]h ğkby ěy ihžgby T °C gZ lŷd_ (\ ihfsgbb ).</p> <p>Opŷuu:</p> <p>□ H]žggbg_ fbgbfmZ b fZdkbfmZ lfiž - Imju gZ iplhd_</p> <p>x DhfigkZpby ih gZmghc lfižImj_</p> <p>x Mžegguc aZžlqd mklZdb</p> <p>x 2-Zy klmigv hoeZbley</p>	
RLU222	A08	<p>ADB007 LU2 HQ</p> <p>Mižegb_ hoeZblef_ ijfh]h ğkby ěy ihžgby L °C iplhdZ .</p> <p>Opŷuu:</p> <p>□ DZkdžh_ mižegb_ ih T °C \ ihfsgbb</p> <p>x DhfigkZpby ih gZmghc lfižImj_</p> <p>x Mžegguc aZžlqd mklZdb</p> <p>x 2-Zy klmigv hoeZbley</p>	
RLU222	A09	<p>ADC002 LU2 HQ</p> <p>Mižegb_ hŷguf ihh]žlef_ b hoeZb - lef_ , ěy ihžgby T °C gZ lŷd_ .</p> <p>Opŷuu:</p> <p>□ DZkdžh_ mižegb_ ih T °C \ ihfsgbb</p> <p>x DhfigkZpby ih gZmghc lfižImj_</p> <p>x Mžegguc aZžlqd mklZdb</p>	
RLU222	A10	<p>ADC010 LU2 HQ</p> <p>Mižegb_ hŷguf ihh]žlef_ b hoeZb - lef_ , ěy ihžgby L °C iplhdZ .</p> <p>Opŷuu:</p> <p>□ DZkdžh_ mižegb_ ih T °C \ ihfsgbb</p> <p>x DhfigkZpby ih gZmghc lfižImj_</p> <p>x Mžegguc aZžlqd mklZdb</p>	
RLU222	A11	<p>ADC004 LU2 HQ</p> <p>Mižegb_ wed]h]h]žlef_ b hŷguf hoeZblef_ ěy ihžgby T °C gZ lŷd_ .</p> <p>Opŷuu:</p> <p>□ H]žggbg_ fbgbfmZ b fZdkbfmZ lfiž - Imju gZ iplhd_</p> <p>x DhfigkZpby ih gZmghc lfižImj_</p> <p>x Mžegguc aZžlqd mklZdb</p> <p>x 2-Zy klmigv wed]h]h]žley</p>	

Тип	Базовый тип	Приложение № / описание	Схема оборудования / подключения
RLU222	A12	ADC012 LU2 HQ Mizēgb_ wedljihih)Zlef b hōguf hoeZblef , ēy ihēgby L °C iplhdZ . Opцuu: □ DZkdZgh_ miZēgb_ ih T °C \ ihfsgbb x DhfigkZpby ih gZmōghc lfiZlmj_ x Mēēgguc aZēlqd mklZdb x 2-Zy klmigv wedljihih)Zley	
RLU222	A13	ADC003 LU2 HQ Mizēgb_ hōguf ihh)Zlef b hoeZb - lef_ ijfhjh ēklby ēy ihēgby T °C gZ luyd_ (\ ihfsgbb ). Opцuu: □ H)Zgbgb_ lfiZlmj_ gZ iplhd_ x DhfigkZpby ih gZmōghc lfiZlmj_ x Mēēgguc aZēlqd mklZdb x 2-Zy klmigv hoeZbley	
RLU222	A14	ADC011 LU2 HQ Mizēgb_ hōguf ihh)Zlef b hoeZb - lef_ ijfhjh ēklby ēy ihēgby L °C iplhdZ . Opцuu: □ DZkdZgh_ miZēgb_ ih T °C \ ihfsgbb x DhfigkZpby ih gZmōghc lfiZlmj_ x Mēēgguc aZēlqd mklZdb x 2-Zy klmigv hoeZbley	
RLU222	A15	ADC006 LU2 HQ Mizēgb_ hōguf ihh)Zlef b hoeZb - lef_ , ēy ihēgby T °C gZ luyd_ (\ ih- fsgbb ), k aZsblguf lfhkIZhf b ḡlbeylh- hf . Opцuu: □ H)Zgbgb_ fbgbfmFz b fZdkbfmFz lfiZ - lmj_ gZ iplhd_ x DhfigkZpby ih gZmōghc lfiZlmj_	
RLU222	A16	ADC014 LU2 HQ Mizēgb_ hōguf ihh)Zlef b hoeZb - lef_ , ēy ihēgby L °C iplhdZ , k aZsbl - guf lfhkIZhf b ḡlbeylhjf . Opцuu: □ DZkdZgh_ miZēgb_ ih T °C \ ihfsgbb x DhfigkZpby ih gZmōghc lfiZlmj_	
RLU222	A17	ADC007 LU2 HQ Mizēgb_ hōguf ihh)Zlef b hoeZb - lef_ ijfhjh ēklby , ēy ihēgby T °C gZ luyd_ (\ ihfsgbb ), k aZsblguf lf- klZhf b ḡlbeylhjf . Opцuu: □ H)Zgbgb_ fbgbfmFz b fZdkbfmFz lfiZ - lmj_ gZ iplhd_ x DhfigkZpby ih gZmōghc lfiZlmj_	
RLU222	A18	ADC016 LU2 HQ Mizēgb_ hōguf ihh)Zlef b hoeZb - lef_ ijfhjh ēklby , ēy ihēgby L °C iplhdZ , k aZsblguf lfhkIZhf b ḡlbeylh- hf . Opцuu: □ DZkdZgh_ miZēgb_ ih T °C \ ihfsgbb x DhfigkZpby ih gZmōghc lfiZlmj_	

Тип	Базовый тип	Приложение № / описание	Схема оборудования / подключения
RLU222	A19	AEAG01 LU2 HQ MijZegb_ hŷguf ŷmizlhjhf lieZ b ih - hŷZlef , ey ihZgby T °C gZ lŷd_ ( ihfsgbb ). Onquu: □ HŷZgbgb_ fbgbfmZ b fZdkbfmZ lfiZ Imju gZ iplhd_ x DhfigkZpby ih gZjnghc lfiZlmj_ x MZegguc aZŷlŷd mklZdb	
RLU222	A20	AEAG02 LU2 HQ MijZegb_ hŷguf ŷmizlhjhf lieZ b ih - hŷZlef , ey ihZgby L °C iplhdZ . Onquu: □ DZkdZgh_ mijZegb_ ih T °C \ ihfsgbb x DhfigkZpby ih gZjnghc lfiZlmj_ x MZegguc aZŷlŷd mklZdb	
RLU222	A21	AEAD01 LU2 HQ MijZegb_ aZkehdZfb ŷbjmeypb b hŷguf ihŷZlef , ey ihZgby T °C gZ lŷ - lŷd_ , k aZsblguf lfhklZlh b ŷlbeylhjhf . Onquu: □ HŷZgbgb_ fbgbfmZ b fZdkbfmZ lfiZ Imju gZ iplhd_ x DhfigkZpby ih gZjnghc lfiZlmj_	
RLU222	A22	AEAD02 LU2 HQ MijZegb_ aZkehdZfb ŷbjmeypb b hŷguf ihŷZlef , ey ihZgby L °C iplhdZ , k aZsblguf lfhklZlh b ŷlbeylhjhf . Onquu: □ DZkdZgh_ mijZegb_ ih T °C \ ihfsgbb x DhfigkZpby ih gZjnghc lfiZlmj_	
RLU222	A23	ADB009 LU2 HQ MijZegb_ hŷguf hoeZblef k hŷfy ŷZ - ŷgyfb , ey ihZgby T °C gZ lŷd_ . Onquu: □ HŷZgbgb_ fbgbfmZ b fZdkbfmZ lfiZ Imju gZ iplhd_ x DhfigkZpby ih gZjnghc lfiZlmj_ x MZegguc aZŷlŷd mklZdb	
RLU222	A24	AECD01 LU2 HQ MijZegb_ aZkehdZfb ŷbjmeypb , hŷguf ihŷZlef b hoeZblef ijfhjh ŷkl- by , ey ihZgby T °C gZ lŷd_ . Onquu: □ HŷZgbgb_ fbgbfmZ b fZdkbfmZ lfiZ Imju gZ iplhd_ x DhfigkZpby ih gZjnghc lfiZlmj_ x MZegguc aZŷlŷd mklZdb	
RLU222	A25	AECD04 LU2 HQ MijZegb_ aZkehdZfb ŷbjmeypb , hŷguf ihŷZlef b hoeZblef ijfhjh ŷkl- by , ey ihZgby L °C iplhdZ . Onquu: □ DZkdZgh_ mijZegb_ ih T °C \ ihfsgbb x DhfigkZpby ih gZjnghc lfiZlmj_ x MZegguc aZŷlŷd mklZdb	

Тип	Базовый тип	Приложение № / описание	Схема оборудования / подключения
RLU222	A26	<p>AECD02 LU2 HQ</p> <p>Mižegb_ aZkehdZfb p̄bjm̄eypbb , h̄ȳguf ihh̄jZlef b hoeZblef iyfhjh ōkl-by , ēy ihžgby T °C gZ ūlyd_ .</p> <p>Опциу:</p> <p><input type="checkbox"/> H̄jžgbgb_ fbgbfmZ b fZdkbfmZ lfjž - Imju gZ iplhd_</p> <p>x DhfigkZpby ih gZm̄ghc lfjžlmj_</p> <p>x Mžegguc aZžlqđ mklZđb</p> <p>x 2-Zy klmigv hoeZbley</p>	
RLU222	A27	<p>AECD05 LU2 HQ</p> <p>Mižegb_ aZkehdZfb p̄bjm̄eypbb , h̄ȳguf ihh̄jZlef b hoeZblef iyfhjh ōkl-by , ēy ihžgby L °C iplhdZ .</p> <p>Опциу:</p> <p><input type="checkbox"/> DZkdZgh_ mižegb_ ih T °C \ ihfsgbb</p> <p>x DhfigkZpby ih gZm̄ghc lfjžlmj_</p> <p>x Mžegguc aZžlqđ mklZđb</p> <p>x 2-Zy klmigv hoeZbley</p>	
RLU222	A28	<p>AECD03 LU2 HQ</p> <p>Mižegb_ aZkehdZfb p̄bjm̄eypbb , wedlh - ihh̄jZlef b h̄ȳguf hoeZblef , ēy ihžgby T °C gZ ūlyd_ ( \ ihfsgbb ) .</p> <p>Опциу:</p> <p><input type="checkbox"/> H̄jžgbgb_ fbgbfmZ b fZdkbfmZ lfjž - Imju gZ iplhd_</p> <p>x DhfigkZpby ih gZm̄ghc lfjžlmj_</p> <p>x Mžegguc aZžlqđ mklZđb</p> <p>x 2-Zy klmigv wedlh̄ihh̄jZley</p>	
RLU222	A29	<p>AECD06 LU2 HQ</p> <p>Mižegb_ aZkehdZfb p̄bjm̄eypbb , wedlh - ihh̄jZlef b h̄ȳguf hoeZblef , ēy ihžgby L °C iplhdZ .</p> <p>Опциу:</p> <p><input type="checkbox"/> DZkdZgh_ mižegb_ ih T °C \ ihfsgbb</p> <p>x DhfigkZpby ih gZm̄ghc lfjžlmj_</p> <p>x Mžegguc aZžlqđ mklZđb</p> <p>x 2-Zy klmigv wedlh̄ihh̄jZley</p>	
RLU222	U01	<p>ADKA02 LU2 HQ</p> <p>Mižegb_ mēZgblef k nh̄kmgdZfb , ēy ihžgby ēZghklb gZ ūlyd_ .</p> <p>Опциу:</p> <p><input type="checkbox"/> FZdkbfm̄f h̄jžgbgb_ ēZghklb gZ iplhd_</p> <p>x Mžegguc aZžlqđ mklZđb</p> <p>x 2-o klmigāluc mēZgblev k nh̄kmgdZfb</p>	
RLU222	U02	<p>PB0002 LU2 HQ</p> <p>Mižegb_ kdh̄h̄klvx gZkhkh\ , ēy ihžgby žaghklb žegby h̄a .</p> <p>Опциу:</p> <p><input type="checkbox"/> H̄jžgbgb_ žegby</p> <p>x DhfigkZpby ih gZm̄ghc lfjžlmj_</p> <p>x Mžegguc aZžlqđ mklZđb</p>	
RLU222	U03	<p>AZL002 LU2 HQ</p> <p>Mižegb_ kdh̄h̄klvx glbeylh̄\ , ēy ihž - žgby žaghklb žegby h̄amoZ .</p> <p>Опциу:</p> <p><input type="checkbox"/> H̄jžgbgb_ žegby</p> <p>x DhfigkZpby ih gZm̄ghc lfjžlmj_</p> <p>x Mžegguc aZžlqđ mklZđb</p>	

Тип	Базовый тип	Приложение № / описание	Схема оборудования / подключения
RLU222	U04	<p>ADI003 LU2 HQ</p> <p>MijZegb_ hoeZblef_ ijyfhjh cklby , ey ihZgby eZghklb (hghkbl .) gZ luyd_ .</p> <p>Опци:</p> <p><input type="checkbox"/> &lt;grgyy beb gmliggyy mklZdZ hjZgbgby fbgbfmZ</p> <p>x Dhjpbpy mklZdb eZghklb \ aZbkbfhklb hl lfiZlmju \ ihfsgbb</p> <p>x MZeegguc aZlIqd mklZdb</p> <p>x 2-Zy klmigv hoeZbley</p>	
RLU222	U05	<p>ADI005 LU2 HQ</p> <p>MijZegb_ hoeZblef_ ijyfhjh cklby , ey ihZgby eZghklb (Z[khexl .) gZ luyd_ .</p> <p>Опци:</p> <p><input type="checkbox"/> &lt;grgyy beb gmliggyy mklZdZ hjZgbgby fbgbfmZ</p> <p>x Dhjpbpy mklZdb eZghklb \ aZbkbfhklb hl lfiZlmju \ ihfsgbb</p> <p>x MZeegguc aZlIqd mklZdb</p> <p>x 2-Zy klmigv hoeZbley</p>	
RLU222	U06	<p>AAZD02 LU2 HQ</p> <p>MijZegb_ dZkhhf haMoZ \ ihfsgbb aZ kehgdZfb pbjmeypbb b glbeylhjf .</p> <p>Опци:</p> <p><input type="checkbox"/> &lt;grgyy beb gmliggyy mklZdZ hjZgbgby fbgbfmZ</p> <p>x DhfigkZpby ih gZjnghc lfiZlmju</p> <p>x MZeegguc aZlIqd mklZdb</p> <p>x 2-o kdhjklghc glbeylhj</p>	
RLU222	U07	<p>ADZA01 LU2 HQ</p> <p>MijZegb_hoeZblef_ ijyfhjh cklby b m- eZgblef_ , ey eZghklb gZ luyd_ .</p> <p>Опци:</p> <p><input type="checkbox"/> FZdkbfmF eZghklb haMoZ gZ jplhd_</p> <p>x &lt;grgyy beb gmliggyy mklZdZ hjZgbgby fbgbfmZ</p> <p>x MZeegguc aZlIqd mklZdb</p>	
RLU222	U08	<p>CZC001 LU2 HQ</p> <p>MijZegb_lfiZlmjhc ohehguc ihlhedh\ .</p> <p>Опци:</p> <p><input type="checkbox"/> DhfigkZpby mklZdb L °C hl eZghklb</p> <p>x LhZ jpb hdehggb lfiZlmju</p>	
RLU222	U09	<p>HZC001 LU2 HQ</p> <p>MijZegb_lfiZlmjhc \ kfkblevghf dhg- lmj_ hlhiegyby .</p> <p>Опци:</p> <p><input type="checkbox"/> HjZgbgby_ fbgbfmZ lfiZlmju hjZldb</p> <p>x DhfigkZpby ih gZjnghc lfiZlmju</p> <p>x MZeegguc aZlIqd mklZdb</p>	
RLU222	U10	<p>ZZZ001 LU2 HQ</p> <p>3-ihabpbhguc jph^</p>	



Тип	Базовый тип	Приложение № / описание	Схема оборудования / подключения
RLU222	U11	ZZZ002 LU2 HQ IhkeNzlevguc 2-klmigZluc ijexā - lev	
RLU222	U12	ADC019 LU2 HQ MgbkZevgh_ ipehgb_ (aZfgZ ēy RKN2 / RKN22), dhglhev lfijZlmju dexgbf_b u - dexgbf_ gZkhkh\ Опциу: <input type="checkbox"/> MZegguc aZZlqđ mklZđb (Z[khexlghc ) <input type="checkbox"/> x ljexgb_ Dhfnhj /AZsblguc	
RLU222	U13	ADC020 LU2 HQ MgbkZevgh_ ipehgb_ (aZfgZ ēy RKN8 / RKN88), dhglhev lfijZlmju ĩmfy fhmeb - jnxsbf_b ĩmeylhZfb . Опциу: <input type="checkbox"/> MZegguc aZZlqđ mklZđb (Z[khexlghc ) <input type="checkbox"/> x ljexgb_ Dhfnhj /AZsblguc	
RLU222	U14	HZC002 LU2 HQ Dhglhev fbgfZevghjh agZgby lfijZlmju hĳZlghc hā \ [hcej_ (aZfgZ ēy RCA12.2) \ kfkblevgfh dhglmj_ hlhiegyby . Опциу: <input type="checkbox"/> MZegguc aZZlqđ mklZđb (Z[khexlghc ) <input type="checkbox"/> x ljexgb_ Dhfnhj /AZsblguc	
RLU222	U15	SA0001 LU2 HQ Dhglhev Žagbpu lfijZlmj (aZfgZ ēy RSA24), khoZggg_ khegghc wglbb. Опциу: <input type="checkbox"/> HĳZggbg_ ih fZdkbfmfm T °C \ [hcej_ x HĳZggbg_ ih fbgbfmfm T °C aZjđb	
RLU232	A01	AEA01 LU3 HQ MiZegb_ đmiZlhfh b hŷguf ihhĳ_ - Zlef_ , ēy ihZgby T °C gZ ūlyđ_ , k aZsblguf lfhkZlhf b ĳlbeylhfh . Опциу: <input type="checkbox"/> HĳZggbg_ fbgbfmZ b fZdkbfmZ lfijZlmju gZ ĳplhd_ x DhfigkZpby ih gZmĳhc lfijZlmj x AZsblZ đmiZlhZ hl hĳfaZgby x ljexgb_ Dhfnhj /đhghfby	
RLU232	A02	AEA02 LU3 HQ MiZegb_ đmiZlhfh b hŷguf ihhĳ_ - Zlef_ , ēy ihZgby L °C ĳplhdZ_ , k aZsblguf lfhkZlhf b ĳlbeylhfh . Опциу: <input type="checkbox"/> DZkdZgh_ miZegb_ ih T °C \ ihfsgbb x DhfigkZpby ih gZmĳhc lfijZlmj x AZsblZ đmiZlhZ hl hĳfaZgby x ljexgb_ Dhfnhj /đhghfby	

Тип	Базовый тип	Приложение № / описание	Схема оборудования / подключения
RLU232	A03	<p>ADC015 LU3 HQ</p> <p>MijZegb_ hŷguf ihh]Zlef b hoeZb - lef , ey ihZgby L °C iplhdZ , k aZsbl - guf lfhlZlhf b glbeylhjf</p> <p>Onquu:</p> <p>□ DZkdZgh_ miZegb_ ih T °C \ ihfsgbb</p> <p>x DhfigkZpby ih gZjnghc lfiZlmi_</p> <p>x lǰexgb_ Dhfnhj /Wghfby</p>	
RLU232	A04	<p>AECG01 LU3 HQ</p> <p>MijZegb_ hŷguf ǰmiZlhf , ihh]Z - lef b hoeZblef , ey ihZgby T °C gZ ulyd_ ( \ ihfsgbb ).</p> <p>Onquu:</p> <p>□ H]Zggb_ fbgbmfZ b fZdkbmfZ lfiZ - lmi_ gZ iplhd_</p> <p>x DhfigkZpby ih gZjnghc lfiZlmi_</p> <p>x AZsblZ ǰmiZlhf hl h]faZgby</p> <p>x MZegguc aZlǰd mklZdb</p> <p>x lǰexgb_ Dhfnhj /Wghfby</p>	
RLU232	A05	<p>AECG02 LU3 HQ</p> <p>MijZegb_ hŷguf ǰmiZlhf , ihh]Z - lef b hoeZblef , ey ihZgby L °C ip - lhdZ.</p> <p>Onquu:</p> <p>□ DZkdZgh_ miZegb_ ih T °C \ ihfsgbb</p> <p>x DhfigkZpby ih gZjnghc lfiZlmi_</p> <p>x AZsblZ ǰmiZlhf hl h]faZgby</p> <p>x MZegguc aZlǰd mklZdb</p> <p>x lǰexgb_ Dhfnhj /Wghfby</p>	
RLU232	A06	<p>AECF01 LU3 HQ</p> <p>MijZegb_ ǰmiZlhf , hŷguf ihh]Z - lef b hoeZblef , ey ihZgby L °C gZ ulyd_ ( \ ihfsgbb )</p> <p>Onquu:</p> <p>□ H]Zggb_ fbgbmfZ b fZdkbmfZ lfiZ - lmi_ gZ iplhd_</p> <p>x DhfigkZpby ih gZjnghc lfiZlmi_</p> <p>x AZsblZ ǰmiZlhf hl h]faZgby</p> <p>x MZegguc aZlǰd mklZdb</p> <p>x lǰexgb_ Dhfnhj /Wghfby</p>	
RLU232	A07	<p>AECF03 LU3 HQ</p> <p>MijZegb_ ǰmiZlhf , hŷguf ihh]Z - lef b hoeZblef , ey ihZgby L °C iplhdZ .</p> <p>Onquu:</p> <p>□ DZkdZgh_ miZegb_ ih T °C \ ihfsgbb</p> <p>x DhfigkZpby ih gZjnghc lfiZlmi_</p> <p>x AZsblZ ǰmiZlhf hl h]faZgby</p> <p>x MZegguc aZlǰd mklZdb</p> <p>x lǰexgb_ Dhfnhj /Wghfby</p>	
RLU232	A08	<p>AECF02 LU3 HQ</p> <p>MijZegb_ ǰmiZlhf , hŷguf ihh]Z - lef b hoeZblef , ey ihZgby L °C u - lydb, k aZsblguflfhlZlhf b glbeylhjf .</p> <p>Onquu:</p> <p>□ H]Zggb_ fbgbmfZ b fZdkbmfZ lfiZ - lmi_ gZ iplhd_</p> <p>x DhfigkZpby ih gZjnghc lfiZlmi_</p> <p>x AZsblZ ǰmiZlhf hl h]faZgby</p> <p>x lǰexgb_ Dhfnhj /Wghfby</p>	

Тип	Базовый тип	Приложение № / описание	Схема оборудования / подключения
RLU232	A09	<p>AECF04 LU3 HQ</p> <p>Mižegb_ ėmižlhf , hŷguf ihh]ž -  leŷ b hoeZbleŷ , ėy ihžgby L °C ip -  lhdZ , k aZsblguf lfhlZlhf b ėlbeylhjf .</p> <p>Опциу:</p> <p>□ DZkdZgh_ mižegb_ ih T °C \ ihfsgbb  x DhfigkZpby ih gZmghc lfijZlmj_  x AZsblZ hl hfpaZgby ėmižlhf  x lġexgb_ Dhfnh] /dghfby</p>	
RLU232	A10	<p>ADC009 LU3 HQ</p> <p>Mižegb_ hŷguf ihh]žlef b 2-fy ho-  eZbleyfb , ėy ihžgby T °C gZ ulyd_ .</p> <p>Опциу:</p> <p>x H]žggbg_ fbgbfmfZ b fZdkbfmfZ lfijž -  lmju gZ iplhd_  x DhfigkZpby ih gZmghc lfijZlmj_  x Mžegguc aZžlġd mklZġb  x lġexgb_ Dhfnh] /dghfby</p>	
RLU232	A11	<p>ADC018 LU3 HQ</p> <p>Mižegb_ hŷguf ihh]žlef b 2-fy ho-  eZbleyfb , ėy ihžgby L °C iplhdZ .</p> <p>Опциу:</p> <p>□ DZkdZgh_ mižegb_ ih T °C \ ihfsgbb  x DhfigkZpby ih gZmghc lfijZlmj_  x Mžegguc aZžlġd mklZġb  x lġexgb_ Dhfnh] /dghfby</p>	
RLU232	A12	<p>AEDK01 LU3 HQ</p> <p>Mižegb_ hŷguf ihh]žlef , ėmiž -  lhjf b meZgbleŷ , ėy ihžgby L °C  iplhdZ b ėZghklb gZ ulyd_ (\ ihfsgbb ) .</p> <p>Опциу:</p> <p>□ DZkdZgh_ mižegb_ ih T °C \ ihfsgbb  x FZdkbfmf ėZghklb haŷoZ gZ iplhd_  x DhfigkZpby ih gZmghc lfijZlmj_  x lġexgb_ Dhfnh] /dghfby</p>	
RLU232	A13	<p>ADE001 LU3 HQ</p> <p>Mižegb_ hŷguf ihh]žlef b hoeZb -  leŷ , meZgbleŷ b 2 ihh]hf ėy ih^ -  žgby T °C gZ ulyd_ , b T °C lhqb ġku , k  aZsblguf lfhlZlhf b ėlbeylhjf .</p> <p>Опциу:</p> <p>□ H]žggbg_ fbgbfmfZ b fZdkbfmfZ lfijž -  lmju gZ iplhd_  x DhfigkZpby ih gZmghc lfijZlmj_  x lġexgb_ Dhfnh] /dghfby</p>	
RLU232	A14	<p>ADFA01 LU3 HQ</p> <p>Mižegb_ hŷguf ihh]žlef b hoeZb -  leŷ b meZgbleŷ , ėy ihžgby L °C  iplhdZ b ėZghklb gZ ulyd_ (\ ihfsgbb ) , k  aZsblguf lfhlZlhf b ėlbeylhjf .</p> <p>Опциу:</p> <p>□ FZdkbfmf ėZghklb haŷoZ gZ iplhd_  x DhfigkZpby ih gZmghc lfijZlmj_  x lġexgb_ Dhfnh] /dghfby</p>	

Тип	Базовый тип	Приложение № / описание	Схема оборудования / подключения
RLU232	A15	ADFA02 LU3 HQ Mižegb_ hýguf ihh]žlef b hoeZb - lef , mēZgblef b 2 ihh]hf ēy ih^ - žgby T °C gZ ūyd_ , b T °C lhqb jku , k aZsblguf lfhkIžhf b ğlbeylhjf . Опциу: □ H]žgbgb_ fbgbfmFz b fZdkbfmFz lfijž - lmju gZ jplhd_ x <grgyy beb ğmġgyy mklZdZ h]žgbgby fbgbfmFz x iđexgb_ Dhfnh] /Mhghfby	
RLU232	A16	AEFH01 LU3 HQ Mižegb_ hýguf ihh]žlef b hoeZb - lef , p̄b̄jmeypbc b mēZgblef , ēy ih^ - žgby L °C jplhdZ b ēZghklb \ ihfs_ - gbb, k aZsblguf lfhkIžhf b ğlbeylhjf . Опциу: □ DZkdZgh_ mižegb_ ih T °C \ ihfsgbb x DhfigkZpby ih gZjnghc lfijžlmj_ x iđexgb_ Dhfnh] /Mhghfby	
RLU232	U01	ABA001 LU3 HQ ž gaZbkbfuoh dghlmž mižegby hýguf ihh]žleyfb ēy lfijžlmju jplhdZ . Опциу: □ 2 gaZbkbfuoh mžegguoh aZžlhdZ mklZhd x DhfigkZpby ih gZjnghc lfijžlmj_	
RLU232	U02	ADL001 LU3 HQ Mižegb_ kdjhklvx ğlbeylhž ēy ih^ - Zgby h]tž hamoZ gZ ūyd_ b jplhd_ . Опциу: □ 2 gaZbkbfuoh mžegguoh aZžlhdZ mklZhd x DhfigkZpby ih gZjnghc lfijžlmj_	
RLU232	U03	ZZZ003 LU3 HQ Ebgcguc 2-o klmigžluc iđexžlev	
RLU232	U04	ZZZ004 LU3 HQ lbguc iđexžlev k 4 klmigyfb (2 p_ )	
RLU232	U05	ZZZ005 LU3 HQ lhkehžlevguc 2-o klmigžluc iđexž - lev	

Тип	Базовый тип	Приложение № / описание	Схема оборудования / подключения
RLU236	A01	<p>ADA007 LU3 HQ</p> <p>Mižegb_wedljihh)Zlef_ , ey ih^ - žgby T °C gZ lylđ_ ( \ ihfsgbb ).</p> <p>Opциu:</p> <p>□ H)žggbg_ fbgbfmZ b fZdkbfmZ lfijZ - Imju gZ iplhd_</p> <p>x DhfigkZpby ih gZmghc lfijZlmj_</p> <p>x Mžegguc aZŽlqđ mklZđb</p> <p>x 6-b klmigžluc wedljihh)Zlev</p> <p>x lžexgb_ Dhfnhj /đhghfby</p>	
RLU236	A02	<p>ADA013 LU3 HQ</p> <p>Mižegb_wedljihh)Zlef_ , ey ih^ - žgby L °C iplhdZ .</p> <p>Opциu:</p> <p>□ DZkdZgh_ mižegb_ ih T °C \ ihfsgbb</p> <p>x DhfigkZpby ih gZmghc lfijZlmj_</p> <p>x Mžegguc aZŽlqđ mklZđb</p> <p>x 6-b klmigžluc wedljihh)Zlev</p> <p>x lžexgb_ Dhfnhj /đhghfby</p>	
RLU236	A03	<p>ADB004 LU3 HQ</p> <p>Mižegb_ hoeZblef_ ijfhjh žklby , ey ihžgby T °C gZ lylđ_ ( \ ihfsgbb ).</p> <p>Opциu:</p> <p>□ H)žggbg_ fbgbfmZ b fZdkbfmZ lfijZ - Imju gZ iplhd_</p> <p>x DhfigkZpby ih gZmghc lfijZlmj_</p> <p>x Mžegguc aZŽlqđ mklZđb</p> <p>x 6-b klmigžluc hoeZblev</p> <p>x lžexgb_ Dhfnhj /đhghfby</p>	
RLU236	A04	<p>ADB008 LU3 HQ</p> <p>Mižegb_ hoeZblef_ ijfhjh žklby ey ihžgby L °C iplhdZ .</p> <p>Opциu:</p> <p>□ DZkdZgh_ mižegb_ ih T °C \ ihfsgbb</p> <p>x DhfigkZpby ih gZmghc lfijZlmj_</p> <p>x Mžegguc aZŽlqđ mklZđb</p> <p>x 6-b klmigžluc hoeZblev</p> <p>x lžexgb_ Dhfnhj /đhghfby</p>	
RLU236	A05	<p>ADC005 LU3 HQ</p> <p>Mižegb_ wedljihh)Zlef_ b hoeZbl_ - ef_ ijfhjh žklby , ey ihžgby T °C gZ lylđ_ ( \ ihfsgbb ).</p> <p>Opциu:</p> <p>□ H)žggbg_ lfijZlmju gZ iplhd_</p> <p>x DhfigkZpby ih gZmghc lfijZlmj_</p> <p>x Mžegguc aZŽlqđ mklZđb</p> <p>x 4-o klmigžluc wedljihh)Zlev</p> <p>x 2-Zy klmigv hoeZbley</p> <p>x lžexgb_ Dhfnhj /đhghfby</p>	
RLU236	A06	<p>ADC013 LU3 HQ</p> <p>Mižegb_ wedljihh)Zlef_ b hoeZbl_ - ef_ , ey ihžgby L °C iplhdZ .</p> <p>Opциu:</p> <p>□ DZkdZgh_ mižegb_ ih T °C \ ihfsgbb</p> <p>x DhfigkZpby ih gZmghc lfijZlmj_</p> <p>x Mžegguc aZŽlqđ mklZđb</p> <p>x 4-o klmigžluc wedljihh)Zlev</p> <p>x 2-Zy klmigv hoeZbley</p> <p>x lžexgb_ Dhfnhj /đhghfby</p>	

Тип	Базовый тип	Приложение № / описание	Схема оборудования / подключения
RLU236	A07	<p>ADC008 LU3 HQ</p> <p>Mižegb_ hŷguf ihh]žlef b hoeZb - lef iyfh]h čklby , ey ihžgby T °C gZ ulyd_ (\ ihfsgbb ), k aZsblguf lfhkIŽhf b ğlbeylh]f .</p> <p>Opuu:</p> <ul style="list-style-type: none"> <li>□ H]žgbgb_ lfizlmj_ gZ iplhd_ x DhfigkZpby ih gZjnghc lfizlmj_ x Mžegguc aZžlqd mklZdb x 4-o klmigžluc hoeZblev x lžexgb_ Dhfnh] /Wghfby</li> </ul>	
RLU236	A08	<p>ADC017 LU3 HQ</p> <p>Mižegb_ hŷguf ihh]žlef b hoeZb - lef iyfh]h čklby , ey ihžgby L °C iplhdZ , k aZsblg . lfhkIŽhf b ğlbeylh]f .</p> <p>Opuu:</p> <ul style="list-style-type: none"> <li>□ DZkdZgh_ mižegb_ ih T °C \ ihfsgbb x DhfigkZpby ih gZjnghc lfizlmj_ x Mžegguc aZžlqd mklZdb x 4-o klmigžluc hoeZblev x lžexgb_ Dhfnh] /Wghfby</li> </ul>	
RLU236	A09	<p>AEDL01 LU3 HQ</p> <p>Mižegb_ hŷguf ihh]žlef , ğmiž - lh]f b mēZgblef k nhkmgdZfb , ey ih^ - žgby L °C b žZghklb iplhdZ k aZsblguf lfhkIŽhf b ğlbeylh]f .</p> <p>Opuu:</p> <ul style="list-style-type: none"> <li>□ DZkdZgh_ mižegb_ ih T °C \ ihfsgbb x DhfigkZpby ih gZjnghc lfizlmj_ x lžexgb_ Dhfnh] /Wghfby</li> </ul>	
RLU236	A10	<p>AEFL01 LU3 HQ</p> <p>Mižegb_ hŷguf ihh]žlef , ğmiž - lh]f , hoeZblef iyfh]h čklby b mēZ - gblef , ey ihžgby L °C b žZghklb ip - lhdZ , k aZsblguf lfhkIŽhf b ğlbeylh]f .</p> <p>Opuu:</p> <ul style="list-style-type: none"> <li>□ DZkdZgh_ mižegb_ ih T °C \ ihfsgbb x DhfigkZpby ih gZjnghc lfizlmj_ x 2-Zy klmigv hoeZblev x lžexgb_ Dhfnh] /Wghfby</li> </ul>	
RLU236	U01	<p>ADKA03 LU3 HQ</p> <p>Mižegb_ mēZgblef k nhkmgdZfb , ey ihžgby žZghklb gZ ulyd_ .</p> <p>Opuu:</p> <ul style="list-style-type: none"> <li>□ H]žgbgb_ fZdkbmfZ žZghklb gZ iplhd_ x DhfigkZpby ih gZjnghc lfizlmj_ x Mžegguc aZžlqd mklZdb x 6-b klmigžluc mēZgblev k nhkmgdZfb x lžexgb_ Dhfnh] /Wghfby</li> </ul>	
RLU236	U02	<p>PB003 LU3 HQ</p> <p>Mižegb_ žexgbf_ gZkxh\ ey ihž - gby žZghklb žžegbc hā .</p> <p>Opuu:</p> <ul style="list-style-type: none"> <li>□ Fbgbmf b H]žgbgb_ fZdkbmfZ žžegby x DhfigkZpby ih gZjnghc lfizlmj_ x Mžegguc aZžlqd mklZdb x lžexgb_ Dhfnh] /Wghfby</li> </ul>	

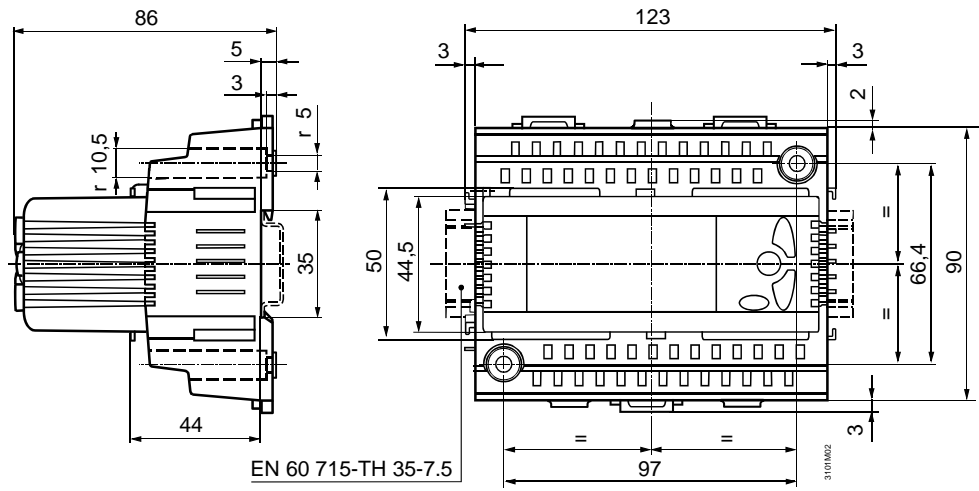
Тип	Базовый тип	Приложение № / описание	Схема оборудования / подключения
RLU236	U03	<p>AZL003 LU3 HQ</p> <p>Mižegb_ bexgbf_ glibeylhj\ ey ih^ - žgby žaghkib žegbc haŋoZ.</p> <p>Опциу:</p> <ul style="list-style-type: none"> <li>□ Fbgbfmf b Hžžgbgb_ fZdkbfmfZ žegby</li> <li>x DhfigkZpby ih gZmghc lfižlmj_</li> <li>x Mžegguc aZžlqđ mklZđb</li> <li>x lđexgb_ Dhfnhj /đhghfby</li> </ul>	
RLU236	U04	<p>ADI004 LU3 HQ</p> <p>Mižegb_ hoeZblef_ ijfhjh đklby , ey ihžgby žZghkib haŋoZ gZ llyđ_ .</p> <p>Опциу:</p> <ul style="list-style-type: none"> <li>□ &lt;grgyy beb žmlygyy mklZđZ hžžgbgby fbgbfmfZ</li> <li>x Kfsgb_ mklZđb žZghkib \ aZbkbfnkib hl lfižlmj_ \ dhfgZl_</li> <li>x Mžegguc aZžlqđ mklZđb</li> <li>x 6-b klmigđluc hoeZblev</li> <li>x lđexgb_ Dhfnhj /đhghfby</li> </ul>	
RLU236	U05	<p>ADI006 LU3 HQ</p> <p>Mižegb_ hoeZblef_ ijfhjh đklby , ey ihžgby žZghkib haŋoZ gZ llyđ_ .</p> <p>Опциу:</p> <ul style="list-style-type: none"> <li>□ &lt;grgyy beb žmlygyy mklZđZ hžžgbgby fbgbfmfZ</li> <li>x Kfsgb_ mklZđb žZghkib \ aZbkbfnkib hl lfižlmj_ \ dhfgZl_</li> <li>x Mžegguc aZžlqđ mklZđb</li> <li>x 6-b klmigđluc hoeZblev</li> <li>x lđexgb_ Dhfnhj /đhghfby</li> </ul>	
RLU236	U06	<p>AAZD03 LU3 HQ</p> <p>Mižegb_ aZkehgđZfb žbđmepbb b žlbey - lhjfh ey dZžlž haŋoZ \ ihfsgbb .</p> <p>Опциу:</p> <ul style="list-style-type: none"> <li>□ &lt;grgyy beb žmlygyy mklZđZ hžžgbgby fbgbfmfZ</li> <li>x DhfigkZpby ih gZmghc lfižlmj_</li> <li>x Mžegguc aZžlqđ mklZđb</li> <li>x 6-kdhjklghc žlbeylhj</li> <li>x đhghfbguc žf</li> </ul>	
RLU236	U07	<p>ADZA02 LU3 HQ</p> <p>Mižegb_ hoeZblef_ ijfhjh đklby b m- eZgblef_ k nhkmgđZfb , ey ihžgby žZghkib gZ llyđ_ .</p> <p>Опциу:</p> <ul style="list-style-type: none"> <li>□ FZdkbfmf žZghkib haŋoZ gZ jplhd_</li> <li>x &lt;grgyy beb žmlygyy mklZđZ hžžgbgby fbgbfmfZ</li> <li>x Mžegguc aZžlqđ mklZđb</li> <li>x 2-o klmigđluc meZgblev k nhkmgđZfb</li> <li>x 4-o klmigđluc hoeZblev</li> <li>x lđexgb_ Dhfnhj /đhghfby</li> </ul>	
RLU236	U08	<p>ZZZ006 LU3 HQ</p> <p>Ebgcguc 3-o klmigđluc jđexđlev</p>	

Тип	Базовый тип	Приложение № / описание	Схема оборудования / подключения
RLU236	U09	ZZZ007 LU3 HQ Ebgcguc 4-o klmigāļuc iļdexāļev	<p>DC 0 ... 10 V</p> <p>4Q LIN.</p>
RLU236	U10	ZZZ008 LU3 HQ Ebgcguc 5-b klmigāļuc iļdexāļev	<p>DC 0 ... 10 V</p> <p>5Q LIN.</p>
RLU236	U11	ZZZ009 LU3 HQ Ebgcguc 6-b klmigāļuc iļdexāļev	<p>DC 0 ... 10 V</p> <p>6Q LIN.</p>
RLU236	U12	ZZZ010 LU3 HQ IhkeñZlevguc 3-o klmigāļuc iļdexāļev -	<p>DC 0 ... 10 V</p> <p>3Q VAR.</p>
RLU236	U13	ZZZ011 LU3 HQ IhkeñZlevguc 4-o klmigāļuc iļdexāļev -	<p>DC 0 ... 10 V</p> <p>4Q VAR.</p>

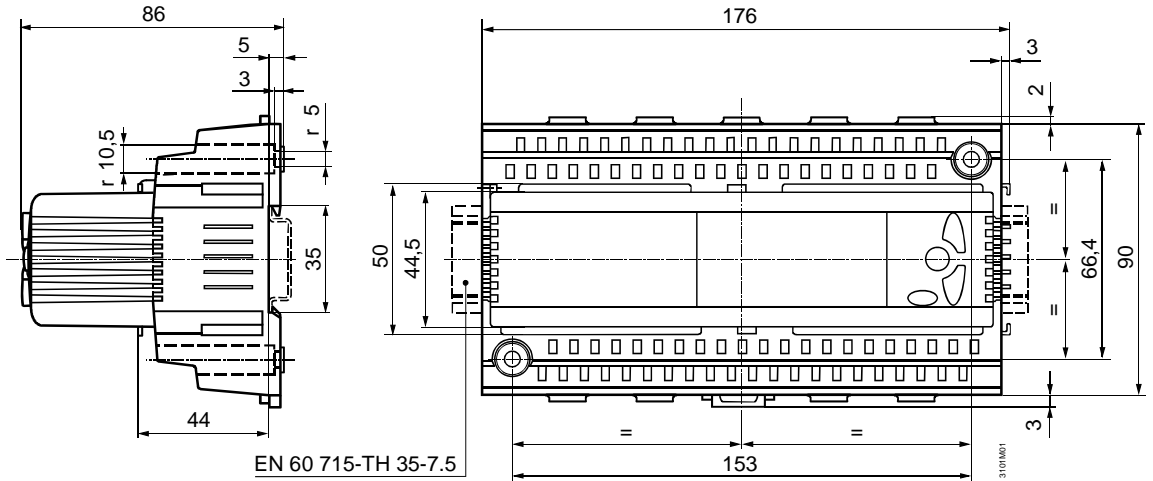


Тип	Базовый тип	Приложение № / описание	Схема оборудования / подключения
RLU236	U14	ZZZ012 LU3 HQ IhkeNzlevguc 5-b klmigātluc iġlexā - lev	<p>DC 0 ... 10 V</p> <p>RLU236</p> <p>5Q VAR.</p>
RLU236	U15	ZZZ013 LU3 HQ IhkeNzlevguc 6-b klmigātluc iġlexā - lev	<p>DC 0 ... 10 V</p> <p>RLU236</p> <p>6Q VAR.</p>
RLU236	U16	ZZZ014 LU3 HQ Ihkguc iġlexālev k 7 klmigyfb (3 p_ )	<p>DC 0 ... 10 V</p> <p>RLU236</p> <p>3Q BIN.</p>
RLU236	U17	ZZZ015 LU3 HQ Ihkguc iġlexālev k 15 klmigyfb (4 p_ )	<p>DC 0 ... 10 V</p> <p>RLU236</p> <p>4Q BIN.</p>

RLU210, RLU202,  
RLU220, RLU222

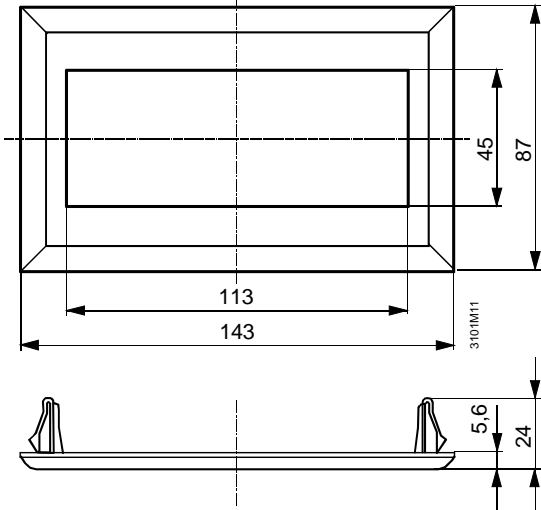


**RLU232, RLU236**

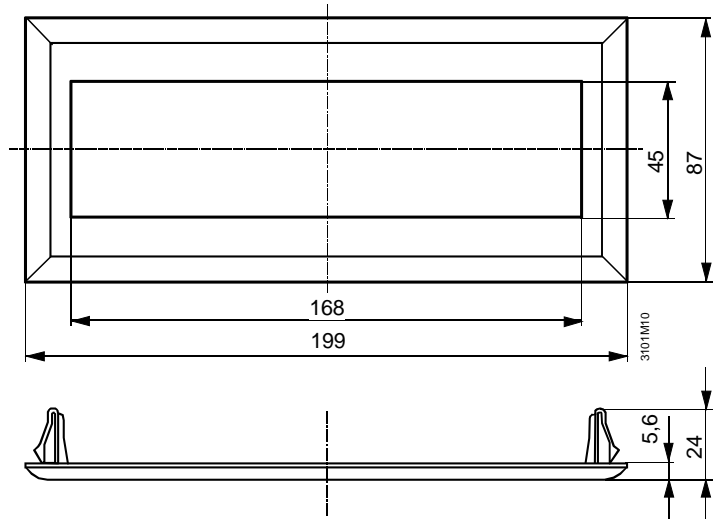


**ARG62.201**

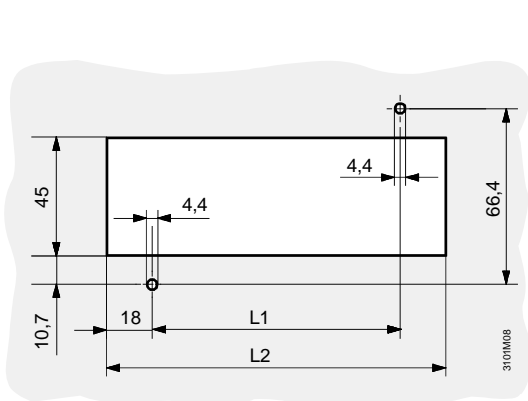
Mounting frame for **RLU210, RLU202, RLU220 and RLU222:**



Mounting frame for **RLU232 and RLU236:**

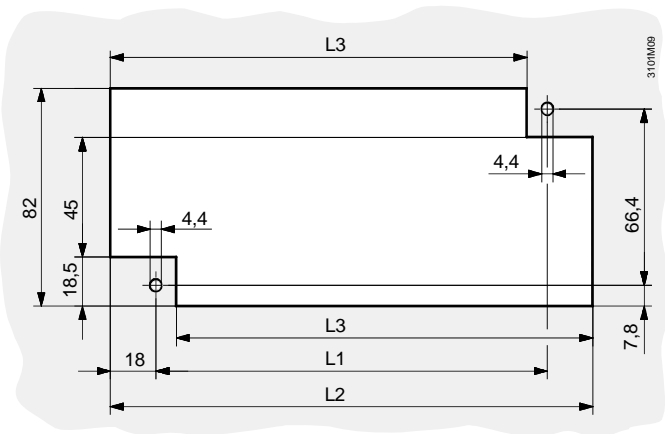


Panel cutout if controller shall be wired prior to mounting:



Type	L1	L2
<b>RLU210, RLU202, RLU220, RLU222</b>	97	133
<b>RLU232, RLU236</b>	153	189

Panel cutout if controller shall be wired after mounting:



Type	L1	L2	L3
<b>RLU210, RLU202, RLU220, RLU222</b>	97	133	107
<b>RLU232, RLU236</b>	153	189	163