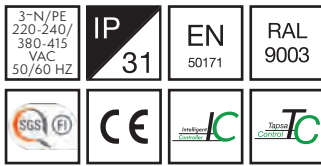


TAPSA CONTROL TKT67XXC



230 V
ADDRESSABLE
CENTRAL
BATTERY
SYSTEM

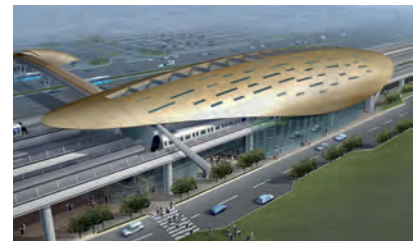
Central battery systems in TKT67 series give an efficient solution for a large number of luminaires. They are particularly suitable for large buildings.

TKT67C is quick to assemble as the terminals are conveniently located on the upper side of the unit and the fuses of the output circuits are at the terminals.

Technical data

- input voltage 220-240 VAC
- output voltage in normal mode 220-240 VAC
- output voltage in battery mode 216 VDC
- battery voltage of 216 V is generated by 18 pieces of 12 V batteries connected in series
- 16, 24, 32, 40, 48 or 56 output circuits
- 8 x 350 VA, 4 x 700 VA or 2 x 1400 VA parallel connections are possible
- max 32 luminaires per circuit (please note local restrictions)

Read more about addressable Tapsa Control central battery systems from page 14.

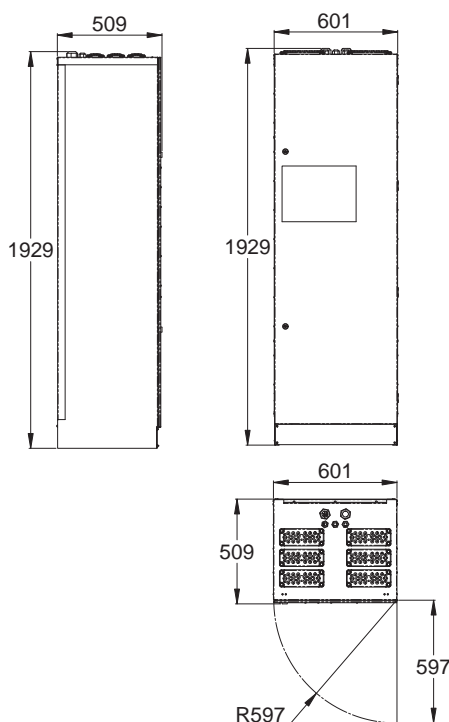


Dubai metro, U.A.E.

Dubai Metro is the first underground in the Arabian Peninsula. Metro was opened to traffic in 2009. Teknoware has delivered the central battery systems and exit lights to the whole of the metro system.

Take a look at our other references at <http://www.teknoware.com/en/emergency-lighting/emergency-lighting-references>

DIMENSIONS



ADDRESSABLE 230 V CENTRAL BATTERY SYSTEMS

Product code	Max input power (mains)	Number of circuits / Outputs	Max total load, mains operation	Max total load, 1 h battery operation	Max total load, 3 h battery operation	Weight (kg)
TKT6716C	8450 VA	16 circuits each 350 W 2 x (8x350 W / 4x700 W / 2x1400 W)	5600 VA	5600 W	5600 W	120,0
TKT6724C	14000 VA	24 circuits each 350 W 3 x (8x350 W / 4x700 W / 2x1400 W)	8400 VA	8400 W	8400 W	121,0
TKT6732C	16800 VA	32 circuits each 350 W 4 x (8x350 W / 4x700 W / 2x1400 W)	11200 VA	11200 W	11200 W	122,0
TKT6740C	19600 VA	40 circuits each 350 W 5 x (8x350 W / 4x700 W / 2x1400 W)	14000 VA	14000 W	14000 W	123,0
TKT6748C	25150 VA	48 circuits each 350 W 6 x (8x350 W / 4x700 W / 2x1400 W)	16800 VA	16800 W	16800 W	124,0
TKT6756C	27950 VA	56 circuits each 350 W 7 x (8x350 W / 4x700 W / 2x1400 W)	19600 VA	19600 W	19600 W	125,0

Output voltage: 230 V AC/DC | **Batteries :** 18 x 12 V (216 V) | **Max battery capacity:** 450 Ah
Nominal supply voltage: 3~ N/PE 220-240/380-415 VAC, 50/60 Hz | **Required short circuit current,** when using 2,5 A fuse, applying 0,4 s tripping time: 10 A
Max load inrush current: 350 W circuit (1 circuit): 120 A/1 ms, 700 W circuit (2 circuits parallel): 250 A/1 ms, 1400 W circuit (4 circuits parallel): 300 A/1 ms

BATTERIES (18 x TEAxx / xxAh)

Product code	Battery capacity	Max total load, 1 h operation time	Max total load, 3 h operation time	Battery cabinet	Battery cable	Dimensions of the battery	Weight of the battery (kg)
TEA024	65 Ah	7500 W	3340 W	TKT6500(P) x 3	XJ997E	350 x 166 x 174	22,8
TEA024B	100 Ah	11780 W	5050 W	TKT6500(P) x 3	XJ997E	327 x 168 x 210	33,5
TEA024D	150 Ah	17670 W	7580 W	N/A		485 x 172 x 240	47,0
TEA024C	200 Ah	19600 W	10010 W	N/A			
	300 Ah (2 x 150 Ah)		15160 W	N/A			
	400 Ah (2 x 200 Ah)		19600 W	N/A			

A 10 % reserve is recommended for the loads (W) mentioned in the table.

BATTERY CABINETS

Product code	Battery capacity	Protection rating	Weight (kg)
TKT6500	6 x 12 V / 100 Ah	IP20	28,0
TKT6500P	6 x 12 V / 100 Ah	IP34	35,0

BATTERY CABLES

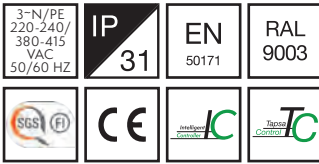
Product code	Length of the battery cable (m)	For
XJ997E	3,5	For three TKT6500 battery cabinets

Please note a peeling reserve in the length of the battery cable

OPTIONAL FEATURES

Product code	Product description	For
TST6731	Integrated Printer	TKT67xxC
TST6732	LCD Display Module	TKT67xxC
TST6752	IC Interface for 16 circuits each 350 W	TKT6716C
TST6753	IC Interface for 24 circuits each 350 W	TKT6724C
TST6754	IC Interface for 32 circuits each 350 W	TKT6732C
TST6755	IC Interface for 40 circuits each 350 W	TKT6740C
TST6756	IC Interface for 48 circuits each 350 W	TKT6748C
TST6757	IC Interface for 56 circuits each 350 W	TKT6756C
Central monitoring options:		
TST6722	LON Interface	TKT67xxC
TST6701	BACnet Interface	TKT67xxC
TST6721	ACM Interface	TKT67xxC
TST6724	WebCM/ WebACM Interface	TKT67xxC

TAPSA CONTROL TKT68XXC



230 V
ADDRESSABLE
CENTRAL
BATTERY
SYSTEM

Central battery system in TKT68 series offers a space saving and efficient emergency lighting solution. Central battery systems include space for batteries, so it is suitable to be placed in locations where space is limited.

We recommend TKT68 series especially for medium sized and large buildings. TKT68XXC also allows the decentralization of central battery systems to several independent areas. TKT68 is quick to assemble as the terminals are conveniently located on the upper side of the unit and the fuses of the output circuits are at the terminals.

Technical data

- input voltage 220-240 VAC
- output voltage in normal mode 220-240 VAC
- output voltage in battery mode 216 VDC
- battery voltage of 216 V is generated by 18 pieces of 12 V batteries connected in series
- includes space for 65 Ah battery
- 8, 16 or 24 output circuits
- 8 x 350 VA, 4 x 700 VA or 2 x 1400 VA parallel connections are possible
- max 32 luminaires per circuit (please note local restrictions)



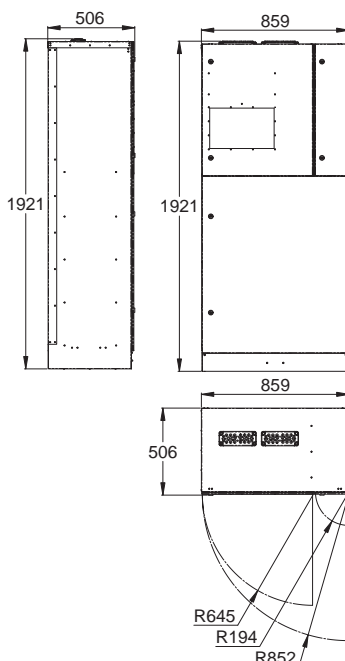
University of Lausanne, Switzerland

University of Lausanne is a public university for mainly French speaking in Lausanne, Switzerland. From the year 1890 it has been functioning as a college. There are currently about 10,200 students studying there. The University's emergency lighting system uses Teknoware's TKT68 central battery system.

Take a look at our other references at <http://www.teknoware.com/en/emergency-lighting/emergency-lighting-references>

Read more about addressable Tapco Control central battery systems from page 14.

DIMENSIONS



ADDRESSABLE 230 V CENTRAL BATTERY SYSTEMS

Product code	Max input power (mains)	Number of circuits/ Outputs	Max total load, mains operation	Max total load, 1 h battery operation	Max total load, 3 h battery operation	Weight (kg)
TKT6808C	3680 VA	8 circuits each 350 W 1 x (8x350 W / 4x700 W / 2x1400 W)	2580 VA	2800 W	2800 W	145,0
TKT6808CF	3900 VA	8 circuits each 350 W 1 x (8x350 W / 4x700 W / 2x1400 W)	2800 VA	2800 W	2800 W	145,0
TKT6816C	3680 VA	16 circuits each 350 W 2 x (8x350 W / 4x700 W / 2x1400 W)	2580 VA	5600 W	3340 W	147,0
TKT6816CF	6700 VA	16 circuits each 350 W 2 x (8x350 W / 4x700 W / 2x1400 W)	5600 VA	5600 W	3340 W	147,0
TKT6824C	3680 VA	24 circuits each 350 W 3 x (8x350 W / 4x700 W / 2x1400 W)	2580 VA	6000 W	3340 W	150,0
TKT6824CF	7100 VA	24 circuits each 350 W 3 x (8x350 W / 4x700 W / 2x1400 W)	6000 VA	6000 W	3340 W	150,0

Output voltage: 230 V AC/DC | **Batteries:** 18 x 12 V (216 V) | **Max battery capacity:** 65 Ah | **F-letter at the end of the product code:** three phase input
Nominal supply voltage: 1~ N/PE 220-240 VAC, 50/60 Hz, three phase input CBS's: 3~ N/PE 220-240/380-415 VAC, 50/60 Hz
Required short circuit current, when using 2,5 A fuse, applying 0,4 s tripping time: 10 A
Max load inrush current: 350 W circuit (1 circuit): 120 A/1 ms, 700 W circuit (2 circuits parallel): 250 A/1 ms, 1400 W circuit (4 circuits parallel): 300 A/1 ms
Cable XJ997F (for ≥15 Ah batteries) **included**

BATTERIES (18 x TEAxx / xxAh)

Product code	Size of the battery (Ah)	Max total load, 1 h operation time	Max total load, 3 h operation time	Battery cabinet	Battery cable	Dimensions of the battery (mm)	Weight of the battery (kg)
TEA020	6,5 Ah	870 W	350 W	No separate battery cabinet needed	XJ997G	151 x 65 x 98	2,4
TEA021	15 Ah	1700 W	770 W	No separate battery cabinet needed	-	181 x 76 x 167	5,9
TEA022	24 Ah	2720 W	1250 W	No separate battery cabinet needed	-	166 x 175 x 125	8,7
TEA023	38 Ah	4550 W	2050 W	No separate battery cabinet needed	-	197 x 165 x 173	13,8
TEA024	65 Ah	6000 W	3340 W	No separate battery cabinet needed	-	350 x 166 x 174	22,8

A 10 % reserve is recommended for the loads (W) mentioned in the table. | **Smallest acceptable size of the battery is 6,5 Ah**

BATTERY CABLES

Product code	For
XJ997G	6,5 Ah batteries

Cable XJ997F (for ≥15 Ah batteries) **included**

OPTIONAL FEATURES

Product code	Product description	For
TST6831	Integrated Printer	TKT68xxC(F)
TST6832	LCD Display Module	TKT68xxC(F)
TST6851	IC Interface for 8 circuits each 350 W	TKT6808C(F)
TST6852	IC Interface for 16 circuits each 350 W	TKT6816C(F)
TST6853	IC Interface for 24 circuits each 350 W	TKT6824C(F)
Central monitoring options:		
TST6822	LON Interface	TKT68xxC(F)
TST6823	BACnet Interface	TKT68xxC(F)
TST6821	ACM Interface	TKT68xxC(F)
TST6824	WebCM/ WebACM Interface	TKT68xxC(F)

TAPSA CONTROL TKT66XXCX



230 V
ADDRESSABLE
CENTRAL
BATTERY
SYSTEM

We recommend TKT66 series in particular for medium sized and large buildings. TKT66 is also a good choice with a central battery system in several independent areas.

TKT66 series central battery system offers an effective solution to supply medium to high number of luminaires.

TKT66 series has the advantage of easy and quick installation, as the connectors are conveniently located on the top edge and the output fuses on the connectors.

Technical data

- input voltage 220-240 VAC
- output voltage in normal mode 220-240 VAC
- output voltage in battery mode 216 VDC
- battery voltage of 216 V is generated by 18 pieces of 12 V batteries connected in series
- 8, 16 or 24 output circuits
- 8 x 350 VA, 4 x 700 VA or 2 x 1400 VA parallel connections are possible
- max 32 luminaires per circuit (please note local restrictions)



TKT66XXC



TKT66XXCP*)



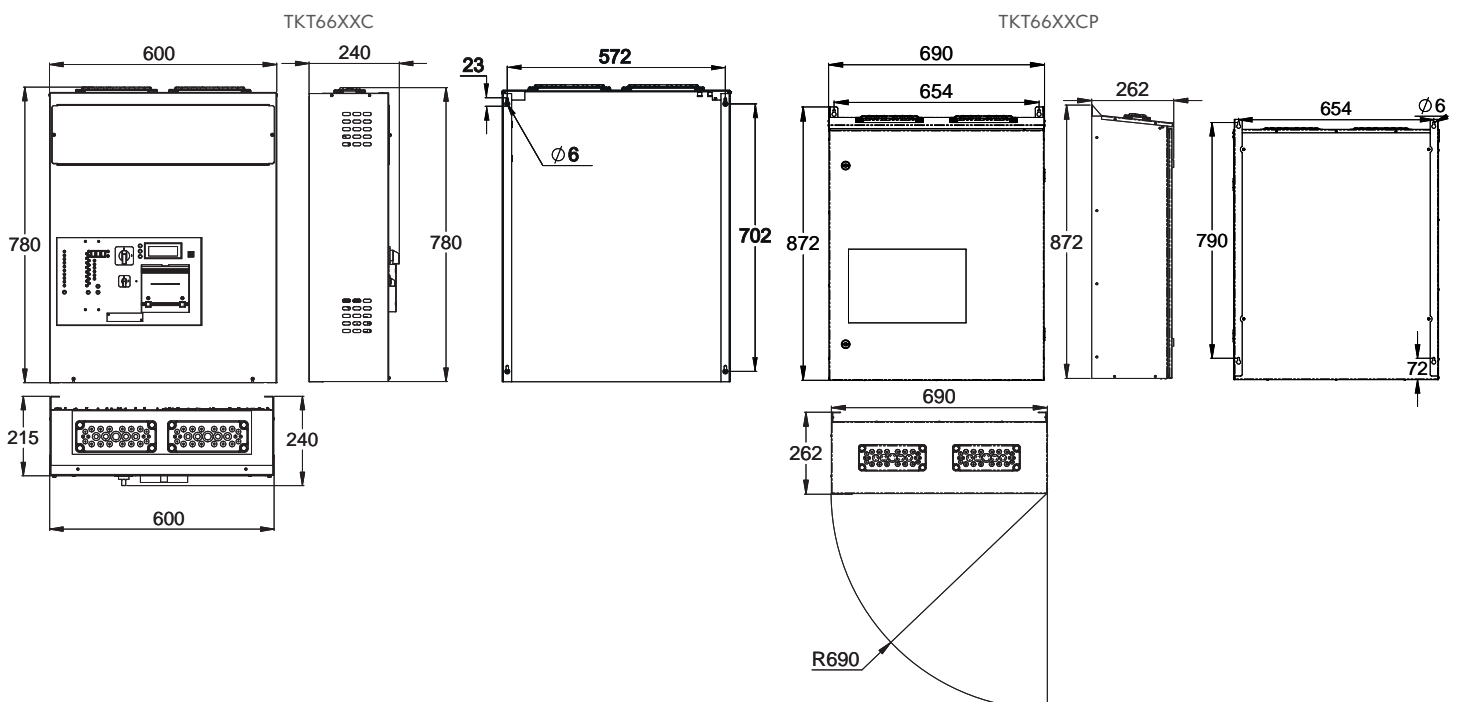
King Saud University, Saudi Arabia

King Saud University in Saudi Arabia uses Teknoware's addressable central battery system. In addition, it is equipped with Advanced Central Monitoring (ACM) remote monitoring system. ACM enables up to a kilometer distance between the central battery system and the monitoring computer.

Take a look at our other references at <http://www.teknoware.com/en/emergency-lighting/emergency-lighting-references>

Read more about addressable Tapsa Control central battery systems from page 14.

DIMENSIONS



ADDRESSABLE 230 V CENTRAL BATTERY SYSTEMS

Product code	Max input power (mains)	Number of circuits/ Outputs	Max total load, mains operation	Max total load, 1 h battery operation	Max total load, 3 h battery operation	Weight (kg)
TKT6608C(P)	3680 VA	8 circuits each 350 W 1 x (8x350 W / 4x700 W / 2 x1400 W)	2580 VA	2800 W	2800 W	32,8
TKT6608CF(P)	3900 VA	8 circuits each 350 W 1 x (8x350 W / 4x700 W / 2 x1400 W)	2800 VA	2800 W	2800 W	32,8
TKT6616C(P)	3680 VA	16 circuits each 350 W 2 x (8x350 W / 4x700 W / 2 x1400 W)	2580 VA	5600 W	3340 W	33,8
TKT6616CF(P)	6700 VA	16 circuits each 350 W 2 x (8x350 W / 4x700 W / 2 x1400 W)	5600 VA	5600 W	3340 W	33,8
TKT6624C(P)	3680 VA	24 circuits each 350 W 3 x (8x350 W / 4x700 W / 2 x1400 W)	2580 VA	6000 W	3340 W	34,8
TKT6624CF(P)	7100 VA	24 circuits each 350 W 3 x (8x350 W / 4x700 W / 2 x1400 W)	6000 VA	6000 W	3340 W	34,8

Output voltage: 230 V AC/DC | **Batteries:** 18 x 12 V (216V) | **Max battery capacity:** 65 Ah | **F-letter at the end of the product code:** three phase input
Nominal supply voltage: TKT6608C-TKT6624C 1~ N/PE 220-240 VAC, 50/60 Hz,
 three phase input CBS's: TKT6608CF-TKT6624CF: 3~ N/PE 220-240/380-415 VAC, 50/60 Hz
Required short circuit current, when using 2,5 A fuse, applying 0,4 s tripping time: 10 A
Max load inrush current: 350 W circuit (1 circuit): 120 A/ 1 ms, 700 W circuit (2 circuits parallel): 250 A/ 1 ms, 1400 W circuit (4 circuits parallel): 300 A/ 1 ms
P-letter at the end of the product code: CBS with hinged front door, IP34

BATTERIES (18 x TEAxx / xxAh)

Product code	Size of the battery (Ah)	Max total load, 1 h operation time	Max total load, 3 h operation time	Battery cabinet	Battery cable	Dimensions of the battery (mm)	Weight of the battery (kg)
TEA020	6,5 Ah	870 W	350 W	TK6500B(P)	XJ997B	151 x 65 x 98	2,4
TEA021	15 Ah	1700 W	770 W	TK6500B(P)	XJ997	181 x 76 x 167	5,9
TEA022	24 Ah	2720 W	1250 W	TK6500B(P) x 2	XJ997C	166 x 175 x 125	8,7
TEA023	38 Ah	4550 W	2050 W	TK6500B(P) x 2	XJ997C	197 x 165 x 173	13,8
TEA024	65 Ah	6000 W	3340 W	TKT6500(P) x 3	XJ997E	350 x 166 x 174	22,8

A 10 % reserve is recommended for the loads (W) mentioned in the table. | **Smallest acceptable size of the battery is 6,5 Ah**

BATTERY CABINETS

Product code	Battery capacity	Protection rating	Weight (kg)
TK6500B	18 x 12 V/15 Ah	IP20	14,0
TK6500BP	18 x 12 V / 15 Ah	IP34	19,0
TKT6500	6 x 12 V / 100 Ah	IP20	28,0
TKT6500P	6 x 12 V / 100 Ah	IP34	35,0

BATTERY CABLES

Product code	Length of the battery cable (m)	For
XJ997B	1,5	6,5 Ah batteries
XJ997	1,5	≥15 Ah batteries
XJ997C	2,5	For two battery cabinets
XJ997E	3,5	For three TKT6500(P) battery cabinets

Please note a peeling reserve in the length of the battery cable

OPTIONAL FEATURES

Product code	Product description	For
TST6631	Integrated Printer	TKT66xxC(F)
TST6632	LCD Display Module	TKT66xxC(F)
TST6651	IC Interface for 8 circuits each 350 W	TKT6608C(F)
TST6652	IC Interface for 16 circuits each 350 W	TKT6616C(F)
TST6653	IC Interface for 24 circuits each 350 W	TKT6624C(F)
Central monitoring options:		
TST6622	LON Interface	TKT66xxC(F)
TST6601	BACnet Interface	TKT66xxC(F)
TST6621	ACM Interface	TKT66xxC(F)
TST6624	WebCM/ WebACM Interface	TKT66xxC(F)

TAPSA CONTROL TKT65XXCX



230 V
ADDRESSABLE
CENTRAL
BATTERY
SYSTEM



Central battery system in TKT65xxCX series, as all our Tapsa Control central battery systems, takes care of the testing automatically.

Suitable for medium sized and large buildings.

Technical data

- input voltage 230 VAC
- output voltage under normal conditions 230 VAC
- output voltage in battery mode 216 VDC
- battery voltage of 216 V is generated by 18 pieces of 12 V batteries connected in series
- 8, 16 or 24 output circuits
- max 16 luminaires per circuit



TKT65XXC



TKT65XXCP²¹

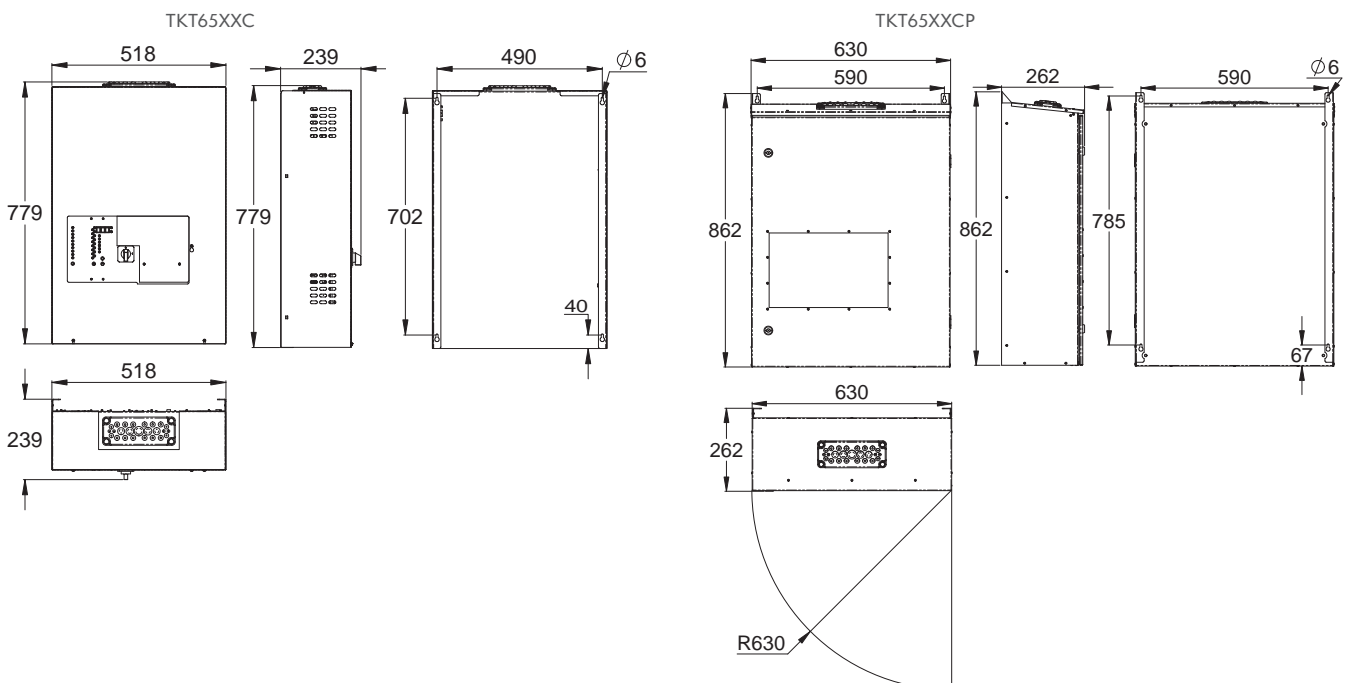
Sofitel Dubai The Palm Resort & Spa, Dubai, United Arab Emirates

The safe evacuation of people in the CASE of emergency is ensured at the Dubai luxury hotel with Teknoware's addressable central battery system and Advanced Central Monitoring (ACM) remote monitoring system. ACM enables up to a kilometer distance between the central battery system and the monitoring computer.

Take a look at our other references at <http://www.teknoware.com/en/emergency-lighting/emergency-lighting-references>

Read more about addressable Tapsa Control central battery systems from page 14.

DIMENSIONS



ADDRESSABLE 230 V CENTRAL BATTERY SYSTEMS

Product code	Max input power (mains)	Number of circuits/ Outputs	Max total load, mains operation	Max total load, 1 h battery operation	Max total load, 3 h battery operation	Weight (kg)
TKT6508C	3100 VA	8 circuits each 250 W	2000 VA	2000 W	2000 W	29,5
TKT6508CP	3100 VA	8 circuits each 250 W	2000 VA	2000 W	2000 W	49,5
TKT6516C	3680 VA	16 circuits each 250 W	2580 VA	4000 W	3340 W	30,0
TKT6516CP	3680 VA	16 circuits each 250 W	2580 VA	4000 W	3340 W	50,0
TKT6524C	3680 VA	24 circuits each 250 W	2580 VA	6000 W	3340 W	30,5
TKT6524CP	3680 VA	24 circuits each 250 W	2580 VA	6000 W	3340 W	50,5

Output voltage: 230 V AC/DC | **Batteries:** 18 x 12 V (216 V) | **Nominal supply voltage:** 1~ N/PE 220-240 VAC, 50 Hz

Max battery capacity: 65 Ah

Required short circuit current, when using 1,6 A fuse, applying 0,4 s tripping time: 7 A

Max load inrush current: (single circuit) 120 A/1 ms

P-letter at the end of the product code: CBS with hinged door, IP34

BATTERIES (18 x TEAxx / xxAh)

Product code	Size of the battery (Ah)	Max total load, 1 h operation time	Max total load, 3 h operation time	Battery cabinet	Battery cable	Dimensions of the battery (mm)	Weight of the battery (kg)
TEA020	6,5 Ah	870 W	350 W	TK6500B(P)	XJ997B	151 x 65 x 98	2,4
TEA021	15 Ah	1700 W	770 W	TK6500B(P)	XJ997	181 x 76 x 167	5,9
TEA022	24 Ah	2720 W	1250 W	TK6500B(P) x 2	XJ997C	166 x 175 x 125	8,7
TEA023	38 Ah	4550 W	2050 W	TK6500B(P) x 2	XJ997C	197 x 165 x 173	13,8
TEA024	65 Ah	6000 W	3340 W	TKT6500(P) x 3	XJ997E	350 x 166 x 174	22,8

| A 10 % reserve is recommended for the loads (W) mentioned in the table. | Smallest acceptable size of the battery is 6,5 Ahw

BATTERY CABINETS

Product code	Battery capacity	Protection rating	Weight (kg)
TK6500B	18 x 12 V/15 Ah	IP20	14,0
TK6500BP	18 x 12 V / 15 Ah	IP34	19,0
TKT6500	6 x 12 V / 100 Ah	IP20	28,0
TKT6500P	6 x 12 V / 100 Ah	IP34	35,0

BATTERY CABLES

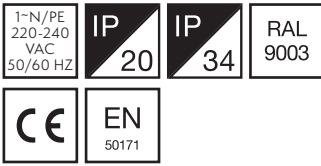
Product code	Length of the battery cable (m)	For
XJ997B	1,5	For 6,5 Ah batteries
XJ997	1,5	For ≥15 Ah batteries
XJ997C	2,5	For two battery cabinets
XJ997E	3,5	For three TKT6500(P) battery cabinets

| Please note a peeling reserve in the length of the battery cable

OPTIONAL FEATURES

Product code	Product description	For
TST6531	Integrated Printer	TKT65xxC(P)
TST6532	LCD Display Module	TKT65xxC(P)
TST6551	IC Interface for 8 circuits each 250 W	TKT6508C(P)
TST6552	IC Interface for 16 circuits each 250 W	TKT6516C(P)
TST6553	IC Interface for 24 circuits each 250 W	TKT6524C(P)
Central monitoring options:		
TST6522	LON Interface	TKT65xxC(P)
TST6501	BACnet Interface	TKT65xxC(P)
TST6521	ACM Interface	TKT65xxC(P)
TST6524	WebCM/ WebACM-Interface	TKT65xxC(P)

TKT65XXBX



TKT65B series central battery system offers an effective solution to supply medium to high number of emergency and exit lights. It is suitable for medium sized buildings.

The new TKT65xxBP models are equipped with a door and their enclosure class is IP34.

Technical data

- input voltage 230 VAC
- output voltage under normal conditions 230 VAC
- output voltage in battery mode 216 VDC
- battery voltage of 216 V is generated by 18 pieces of 12 V batteries connected in series
- 6, 12, 18 or 24 output circuits

Read more about traditional central battery systems from page 15.



TKT65XXB



TKT65XXBP

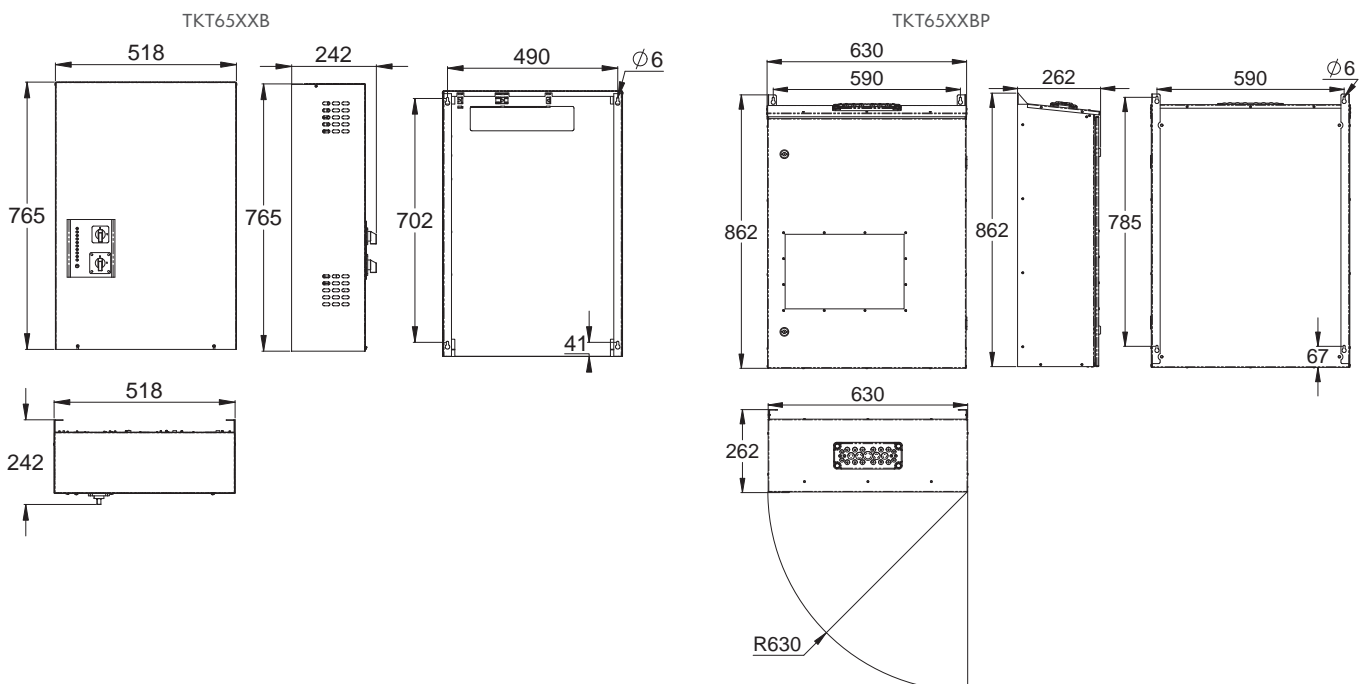


Karisma shopping center, Lahti, Finland

Shopping center Karisma is situated in Karisto, Lahti. Emergency lighting was made using Teknoware's 230 V TKT65B central battery system.

Take a look at our other references at <http://www.teknoware.com/en/emergency-lighting/emergency-lighting-references>

DIMENSIONS



230 V CENTRAL BATTERY SYSTEMS

Product code	Max input power (mains)	Number of circuits/ Outputs	Max total load, mains operation	Max total load, 1 h battery operation	Max total load, 3 h battery operation	Weight (kg)
TKT6506B	2600 VA	6 circuits each 250 W	1500 VA	1500 W	1500 W	27,8
TKT6506BF	2600 VA	6 circuits each 250 W	1500 VA	1500 W	1500 W	27,8
TKT6506BP	2600 VA	6 circuits each 250 W	1500 VA	1500 W	1500 W	27,8
TKT6512B	3680 VA	12 circuits each 250 W	2580 VA	3000 W	3000 W	30,0
TKT6512BF	4100 VA	12 circuits each 250 W	3000 VA	3000 W	3000 W	30,0
TKT6512BP	3680 VA	12 circuits each 250 W	2580 VA	3000 W	3000 W	30,0
TKT6518B	3680 VA	18 circuits each 250 W	2580 VA	4500 W	3340 W	31,0
TKT6518BF	5600 VA	18 circuits each 250 W	4500 VA	4500 W	3340 W	31,0
TKT6518BP	3680 VA	18 circuits each 250 W	2580 VA	4500 W	3340 W	31,0
TKT6524B	3680 VA	24 circuits each 250 W	2580 VA	6000 W	3340 W	31,6
TKT6524BF	7100 VA	24 circuits each 250 W	6000 VA	6000 W	3340 W	31,6
TKT6524BP	3680 VA	24 circuits each 250 W	2580 VA	6000 W	3340 W	31,6

Output voltage: 230 V AC/DC

Batteries : 18 x 12 V (216 V)

Max total load of the Central Battery System = amount of circuits x 120 W

F-letter at the end of the product code: three phase input

P-letter at the end of the product code: IP34

Max battery capacity: 65 Ah

Nominal supply voltage: **TKT6506B-TKT6524B:** 1~ N/PE 220-240 VAC, 50 Hz,
three phase input CBS's: **TKT6506BF-TKT6524BF:** 3~ N/PE 220-240/380-415 VAC, 50 Hz

Required short circuit current, when using 4 A fuse, applying 0,4 s tripping time: 11 A

Max load inrush current: (single circuit) 120 A/1 ms

BATTERIES (18 x TEAxx / xxAh)

Product code	Size of the battery (Ah)	Max total load, 1 h operation time	Max total load, 3 h operation time	Battery cabinet	Battery cable	Dimensions of the battery (mm)	Weight of the battery (kg)
TEA020	6,5 Ah	870 W	350 W	TK6500B(P)	XJ997B	151 x 65 x 98	2,4
TEA021	15 Ah	1700 W	770 W	TK6500B(P)	XJ997	181 x 76 x 167	5,9
TEA022	24 Ah	2720 W	1250 W	TK6500B(P) x 2	XJ997C	166 x 175 x 125	8,7
TEA023	38 Ah	4550 W	2050 W	TK6500B(P) x 2	XJ997C	197 x 165 x 173	13,8
TEA024	65 Ah	6000 W	3340 W	TKT6500(P) x 3	XJ997E	350 x 166 x 174	22,8

A 10 % reserve is recommended for the loads (W) mentioned in the table. | Smallest acceptable size of the battery is 6,5 Ahw

BATTERY CABINETS

Product code	Battery capacity	Protection rating	Weight (kg)
TK6500B	18 x 12 V/15 Ah	IP20	14,0
TK6500BP	18 x 12 V / 15 Ah	IP34	19,0
TKT6500	6 x 12 V / 100 Ah	IP20	28,0
TKT6500P	6 x 12 V / 100 Ah	IP34	35,0

BATTERY CABLES

Product code	Length of the battery cable (m)	For
XJ997B	1,5	6,5 Ah batteries
XJ997	1,5	≥15 Ah batteries
XJ997C	2,5	For two battery cabinets
XJ997E	3,5	For three TKT6500 battery cabinets

Please note a peeling reserve in the length of the battery cable