



ASC77.1E



ASC77.2E

OpenAir™

External Auxiliary Switches

ASC77.1E ASC77.2E

Auxiliary switches designed for use with all rotary version types of GCA, GBB, GIB, GMA and GEB damper actuators.

- Prewired, complete with standard connecting cables of 0.9 m length, 3 x 0.75 mm² (ASC77.1E) or 6 x 0.75 mm² (ASC77.2E)
- Rated voltage AC 24...250 V / DC 12...30 V
- Switching points can be selected across the entire rotational angle range of 5...90 ° at increments of 5 °
- Switch position easy to read
- Current damper position indicated by position indicator

Use

The auxiliary switches are used to extend the scope of functions of all rotary version types of GCA, GBB, GIB, GMA and GEB damper actuators and to upgrade existing actuators that have no switching functions integrated.

Technical data

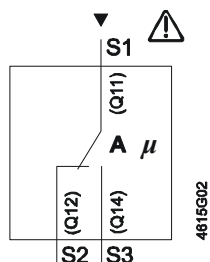
| | | |
|--------------------------|--------------------------|---------------|
| | Rated voltage AC | AC 24...250 V |
| | Contact rating | 6(2) A |
| | Frequency | 50/60 Hz |
| | Rated voltage DC | DC 12...30 V |
| | Contact rating | 2 A |
| Environmental conditions | Operation | IEC 721-3-3 |
| | Temperature | -32...+55 °C |
| | Humidity (noncondensing) | < 95 % r. h. |
| | Transport | IEC 721-3-2 |
| | Temperature | -32...+70 °C |
| | Humidity (noncondensing) | < 95 % r. h. |

| | | |
|-----------|---|--------------|
| Standards | Safety class to EN 60730 | II |
| | Degree of protection to EN 60529 | IP54 |
| Weight | Product safety: | |
| | Automatic electrical controls for household and similar use | EN 60730-1 |
| | Electromagnetic compatibility: | |
| | Emissions | EN 61000-6-3 |
| Weight | CE conformity | |
| | Low-voltage directive | 2006/95/EC |
| | Without packaging | 0.48 kg |

Internal diagrams

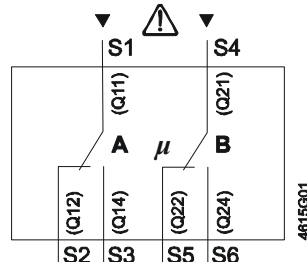
ASC77.1E

AC 24 V...250 V / 6(2) A
DC 12...30 V / 2 A



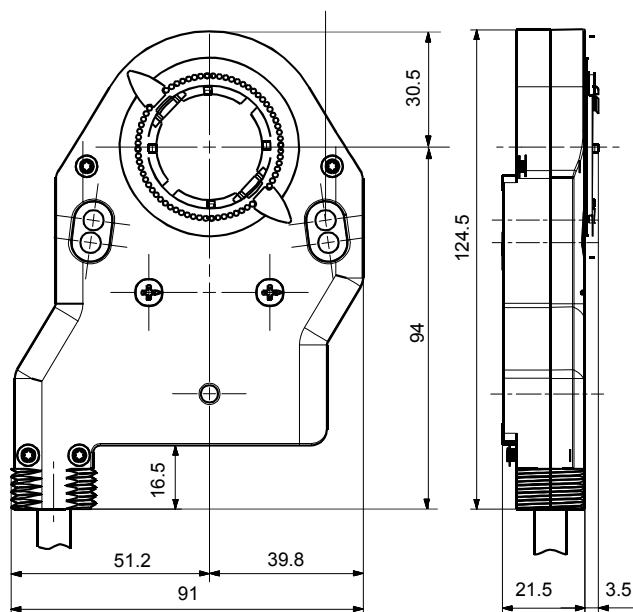
ASC77.2E

AC 24 V...250 V / 6(2) A
DC 12...30 V / 2 A



| Voltage | Switch A (S1) | Switch B (S4) | Yes / No |
|----------|---------------|---------------|----------|
| AC 24 V | AC 24 V | AC 24 V | Yes |
| AC 230 V | L1 (live) | L1 (live) | Yes |
| | L2 | L2 | Yes |
| | L3 | L3 | Yes |
| | Lx (live) | ≠ Lx (live) | No |
| Mixed | AC 24 V | AC 230 V | No |
| | AC 230 V | AC 24 V | No |

Dimensions



Dimensions in mm