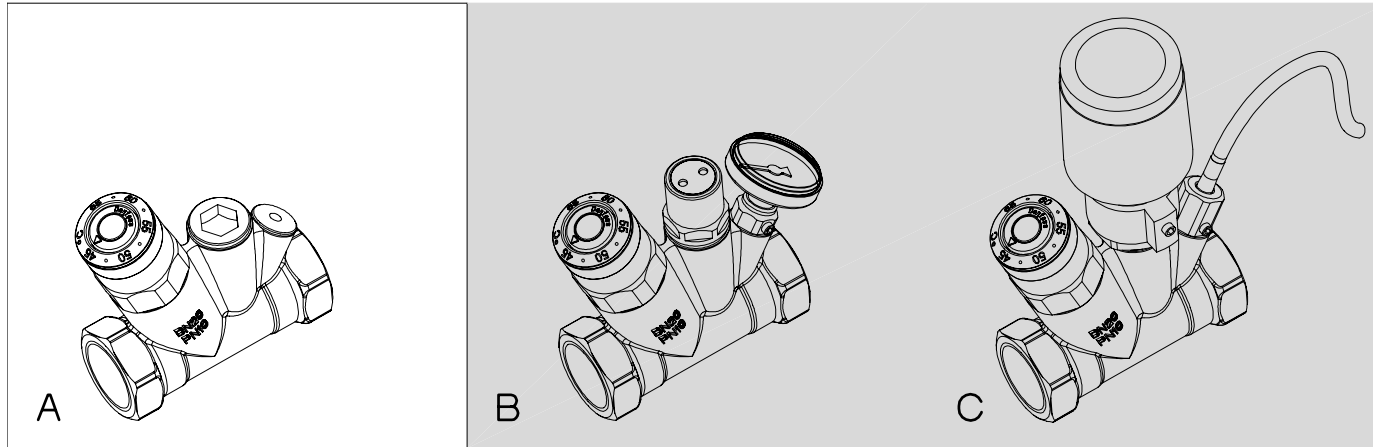
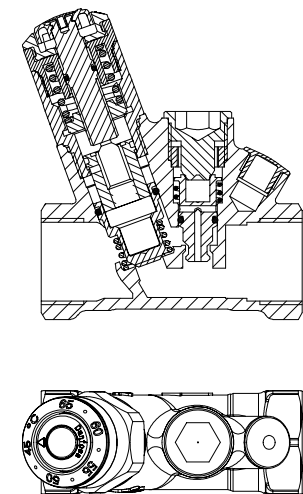
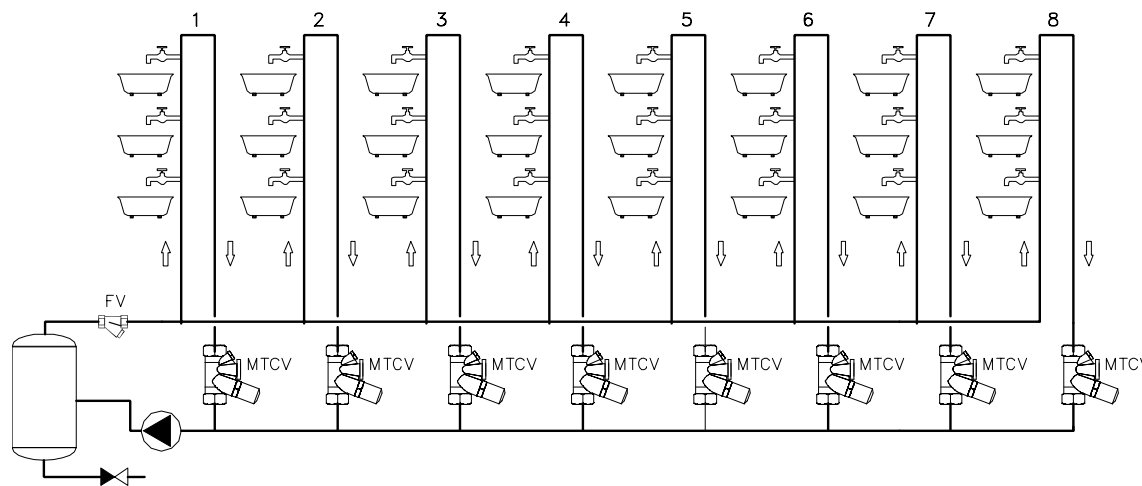


# Instructions

## MTCV - NL



DN	15	20
T <sub>range</sub>	45 - 65 °C	45 - 65 °C
T <sub>set</sub>	50 °C	50 °C
PN	10 bar	10 bar
Δp <sub>max</sub>	1 bar	1 bar
T <sub>max</sub>	100 °C	100 °C
k <sub>vs</sub> (20 °C)	1.5 m³/h	1.8 m³/h

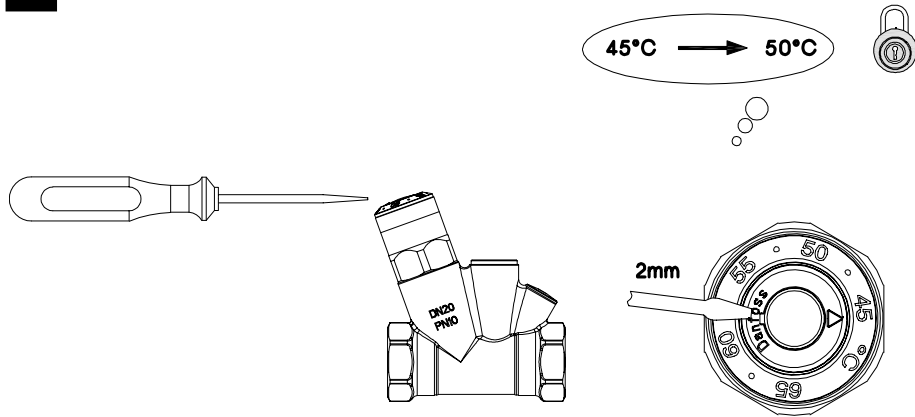


# Instructions

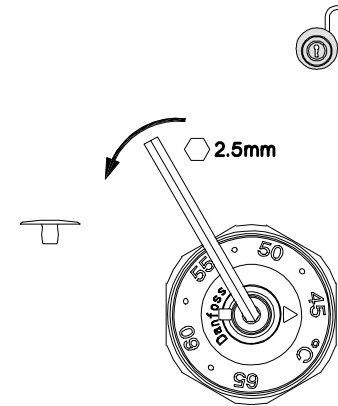
## MTCV - NL



1



2



3

