

# Broil King®

---

---

## Broil King.

REGAL 590  
9582-82  
9582-83



## Broil King.

REGAL 590 PRO  
9583-42  
9583-43  
9583-46



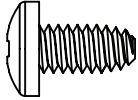


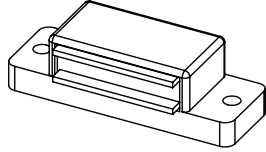
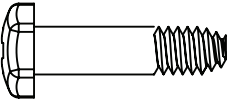
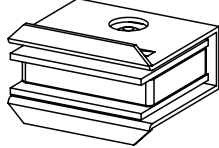
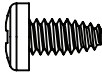
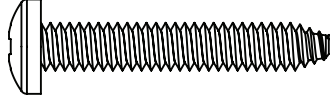
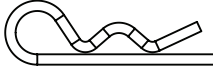
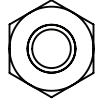
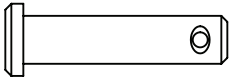
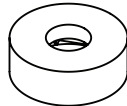

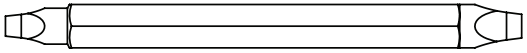

---

---

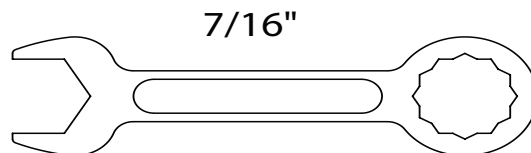
*Onward*  
MANUFACTURING COMPANY LIMITED  
SINCE 1906  
585 KUMPF DRIVE  
WATERLOO, ONTARIO, CANADA  
N2V 1K3

20084-E78EU REV N 08/18

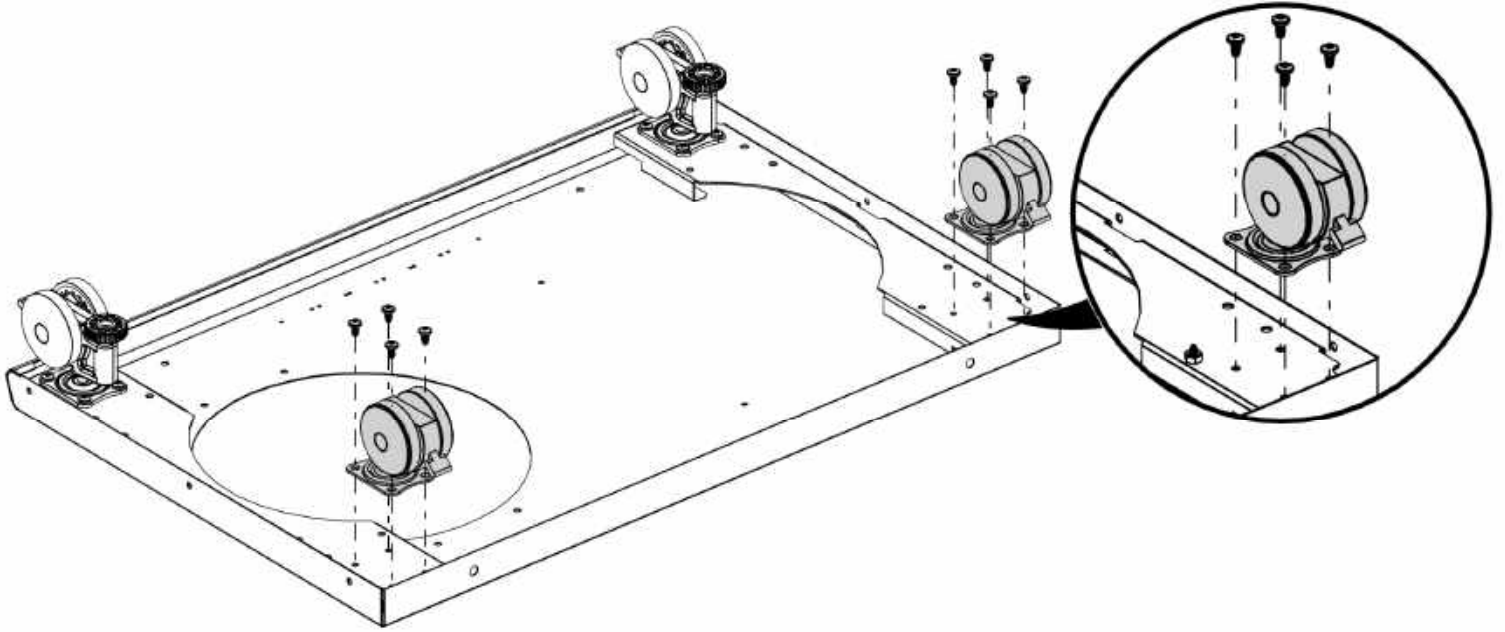
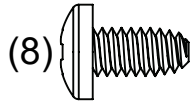
## HARDWARE INCLUDED

Y-12865		X24	S21124		X8
S21125		X4	Y-12222		X2
Y-11551		X2	Y-12223		X2
Y-29304		X2	Y-11560		X4
S21233		X2	Y-11793		X8
S21235		X2	Y-12124		X2
<div style="display: flex; align-items: center; justify-content: center;">  <div style="margin: 0 20px;"> <p style="margin: 0;">#3 ROBERTSON</p>  </div>  </div>					

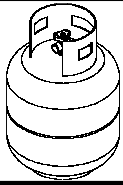
## TOOLS REQUIRED



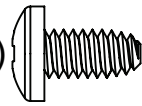
1



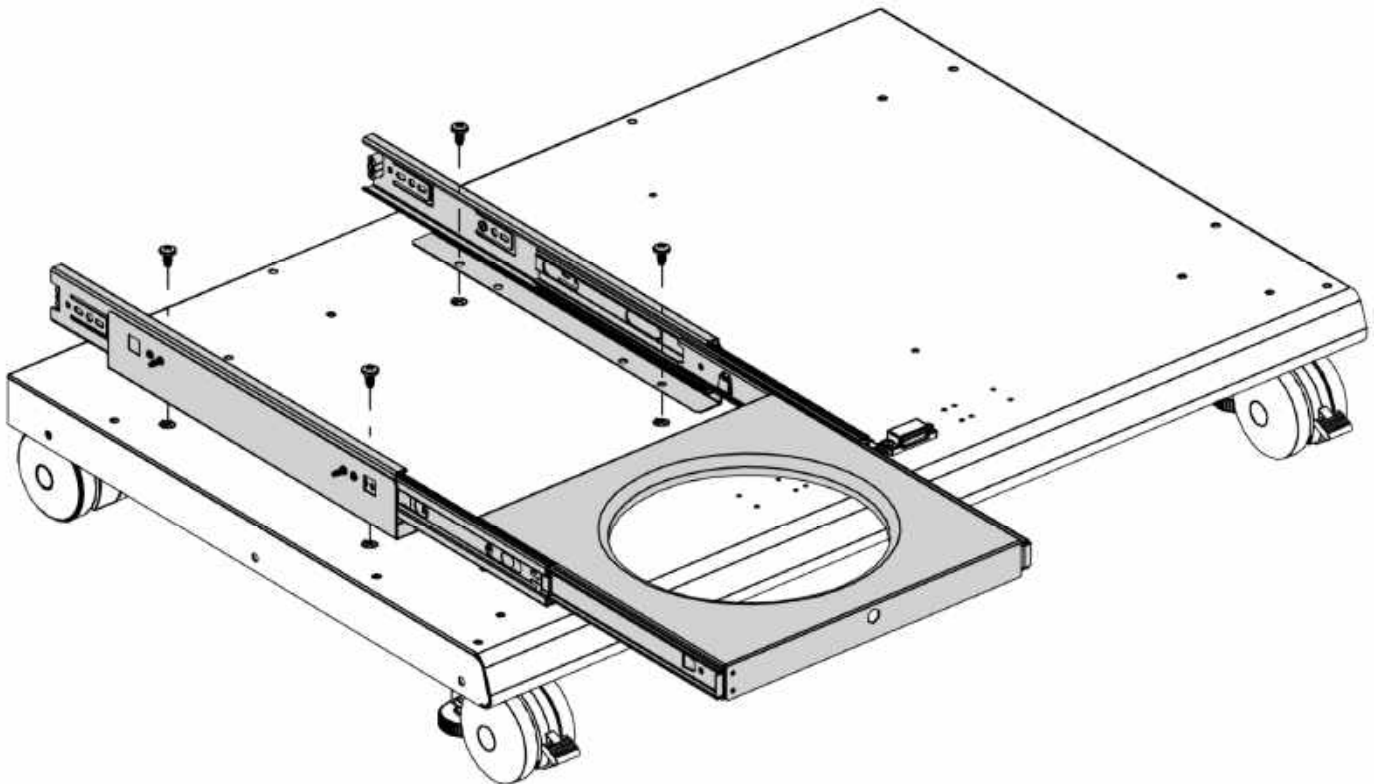
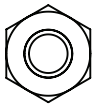
2



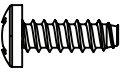
(4)



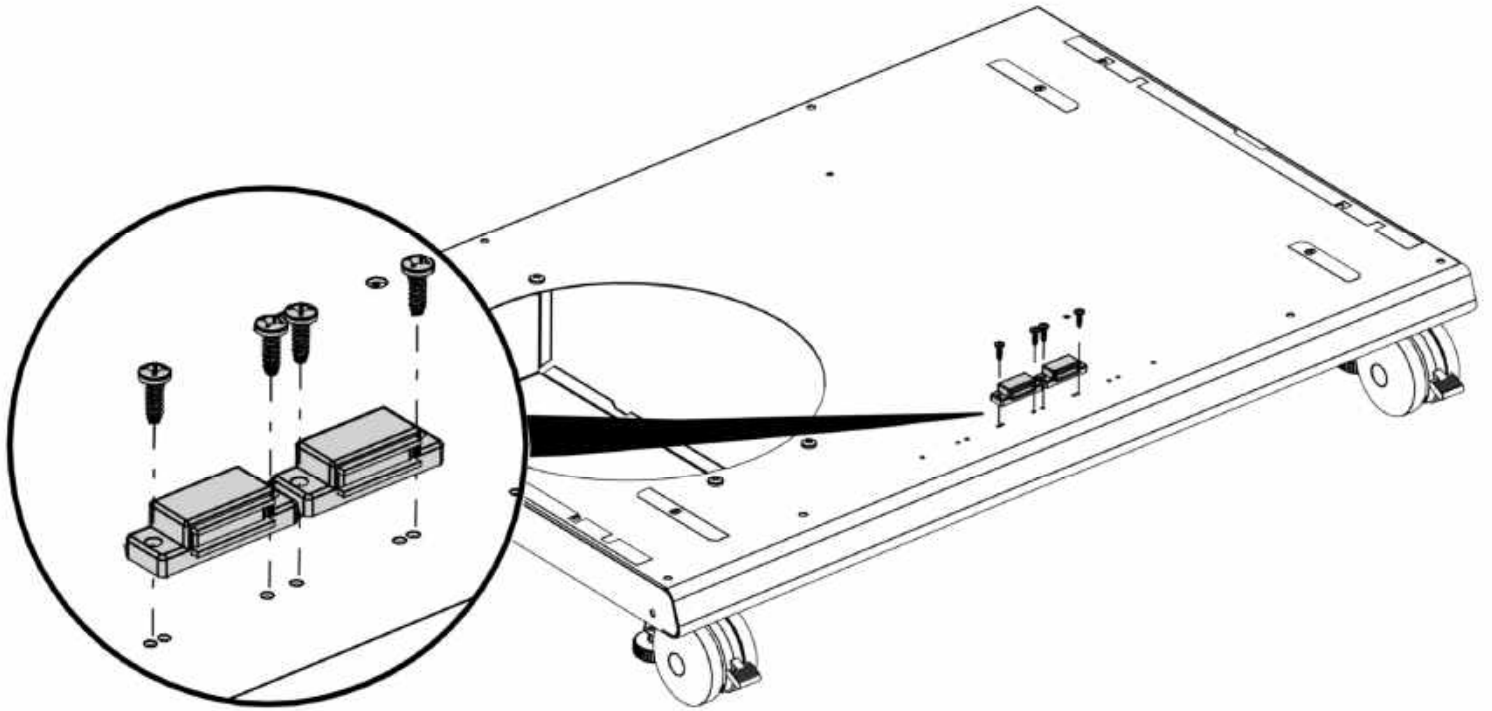
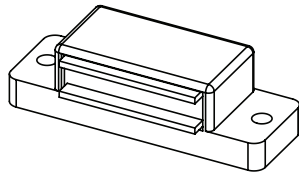
(4)



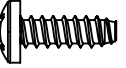
# 3

(4) 

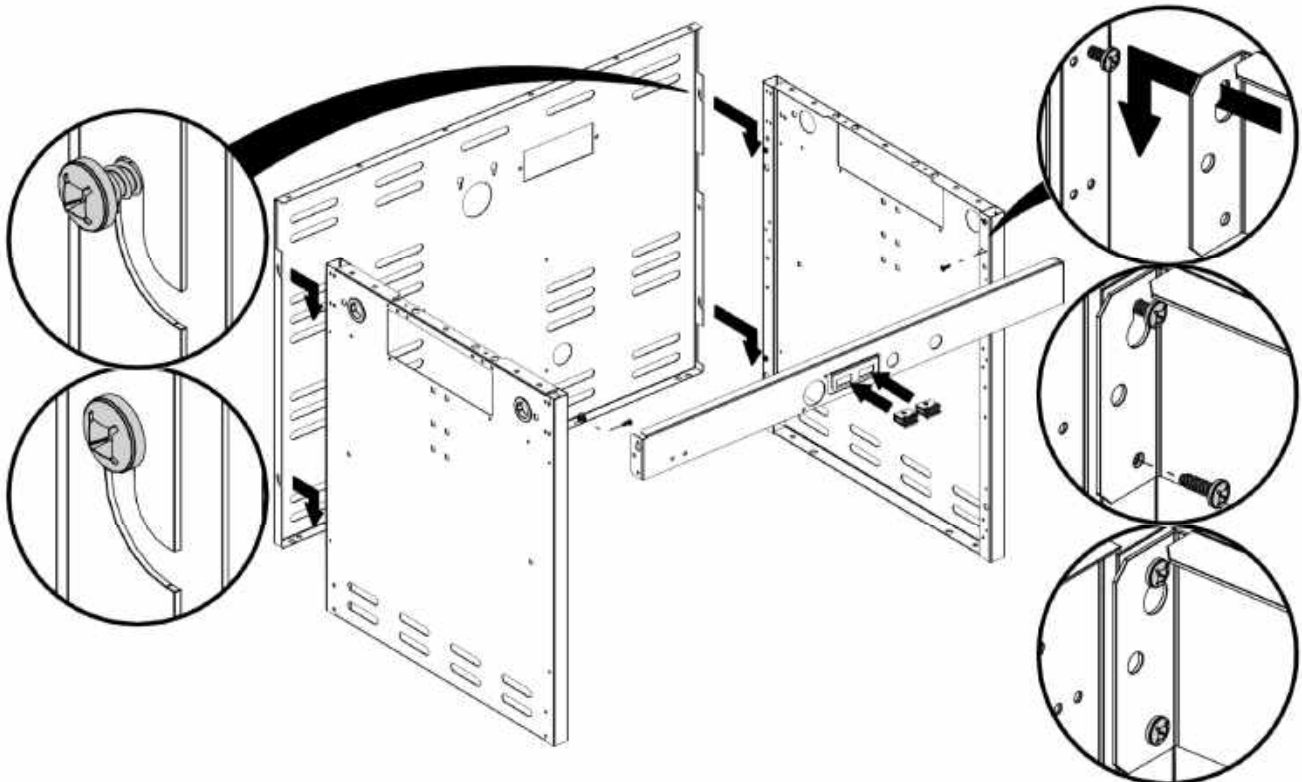
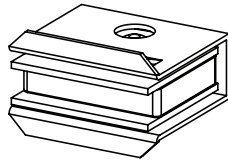
(2)



# 4

(2) 

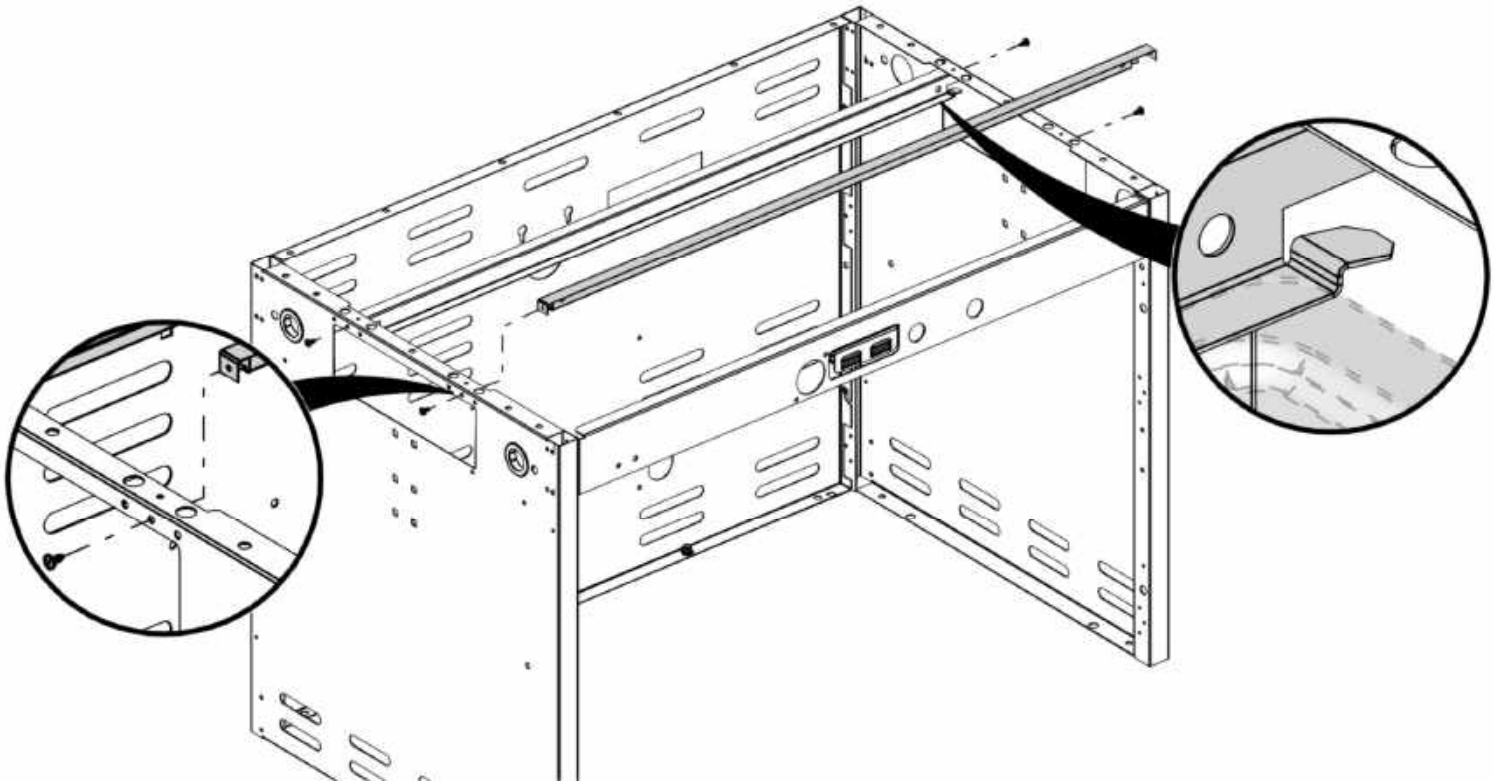
(2)



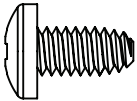


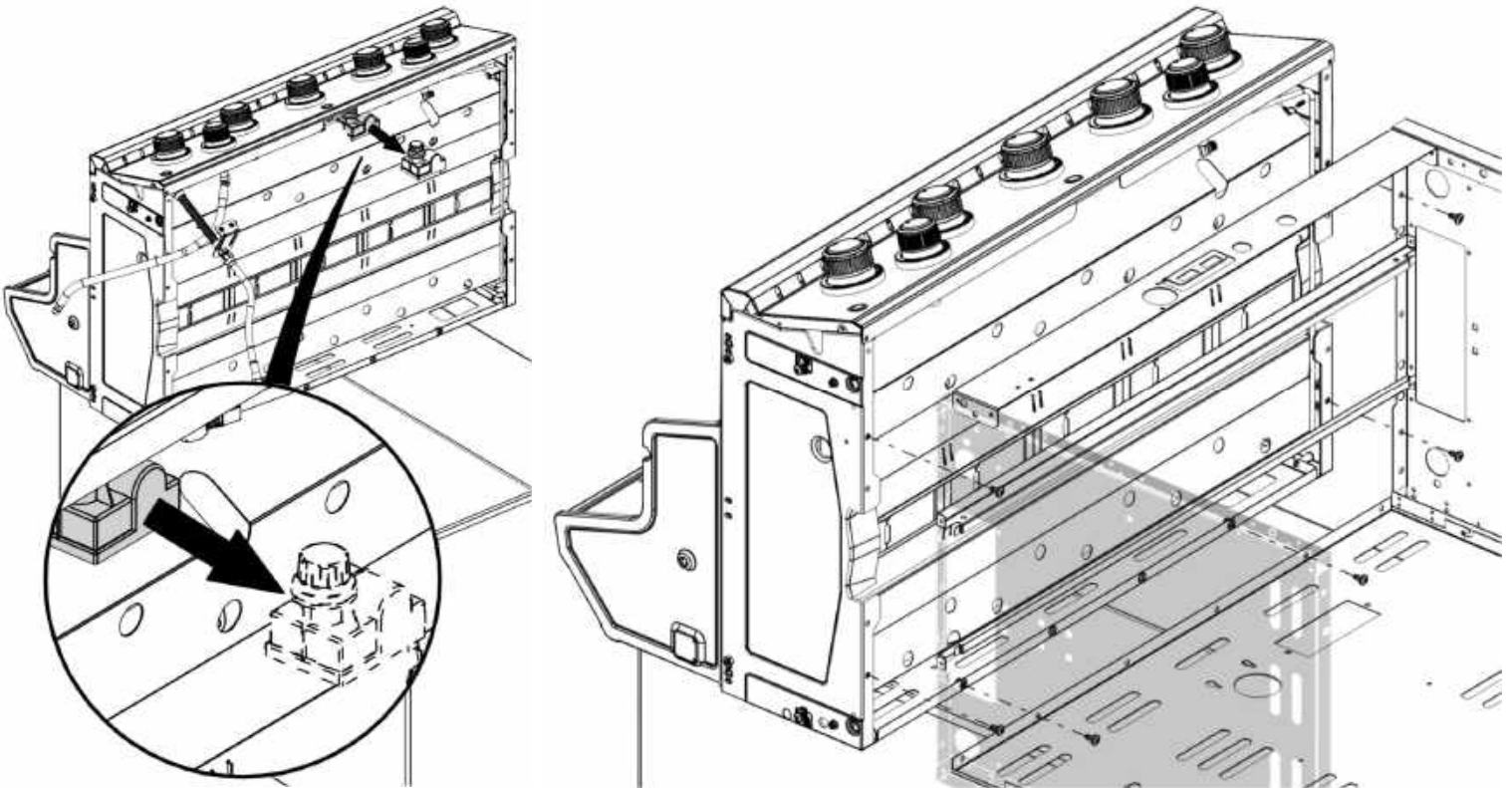
5

(4) 

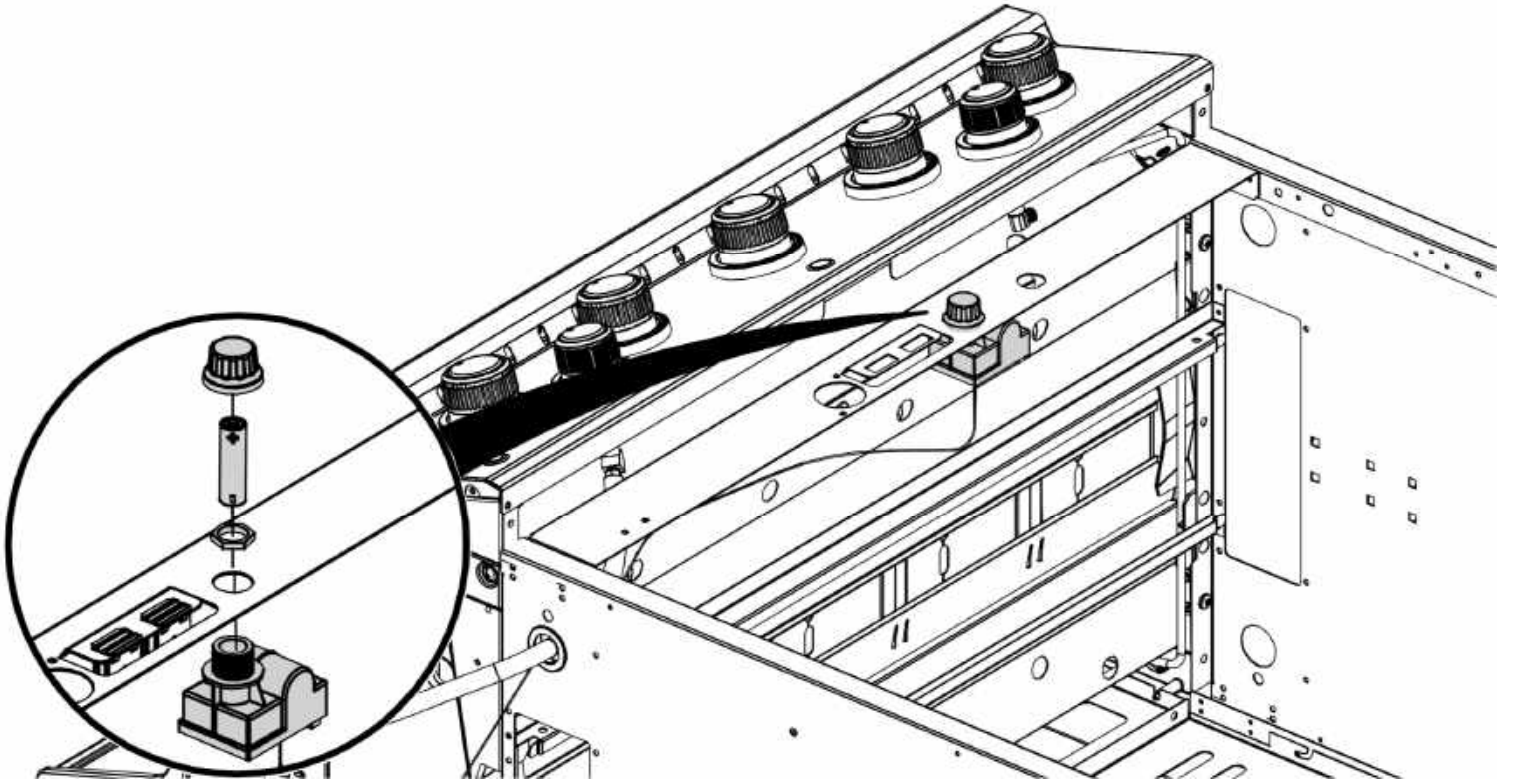


6

(6) 

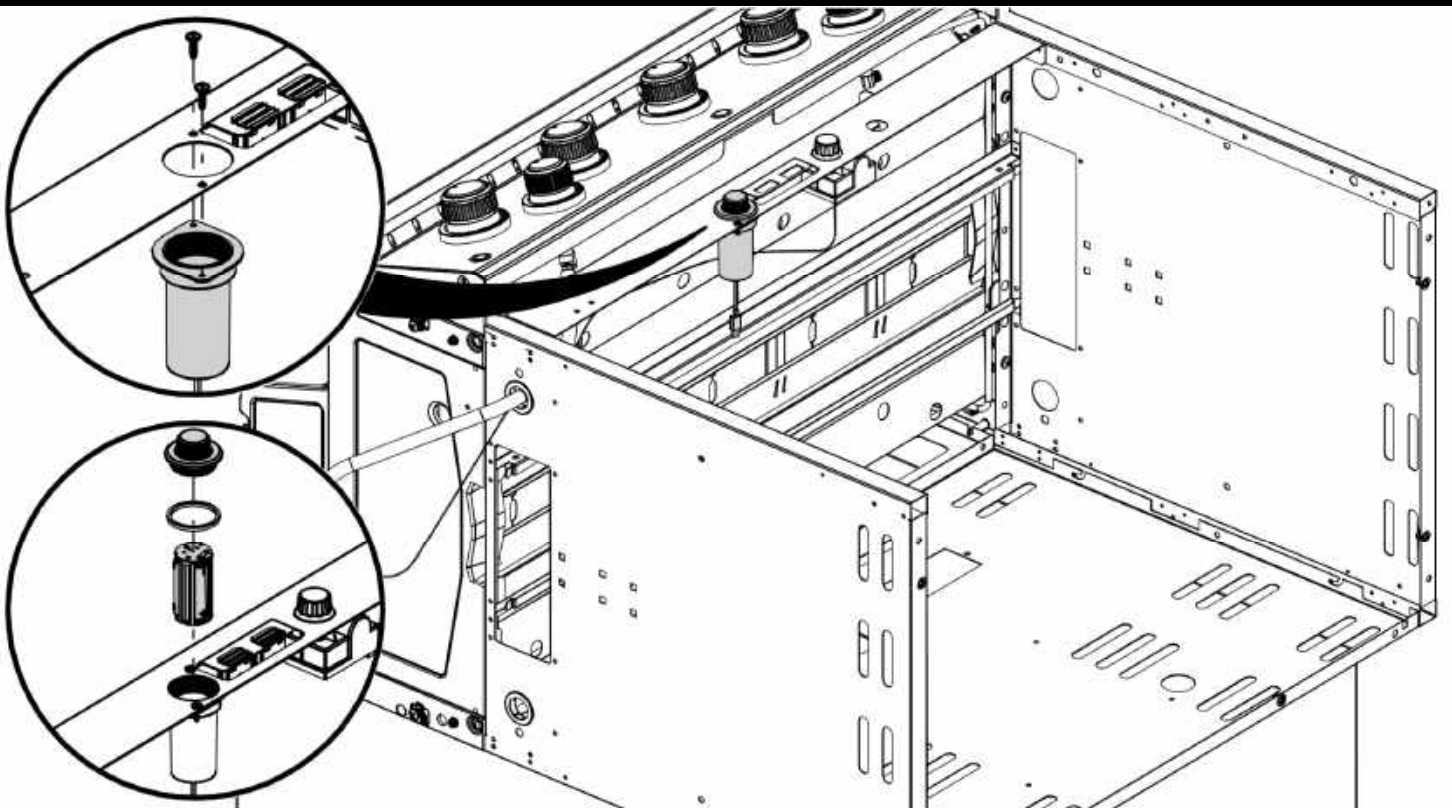


7



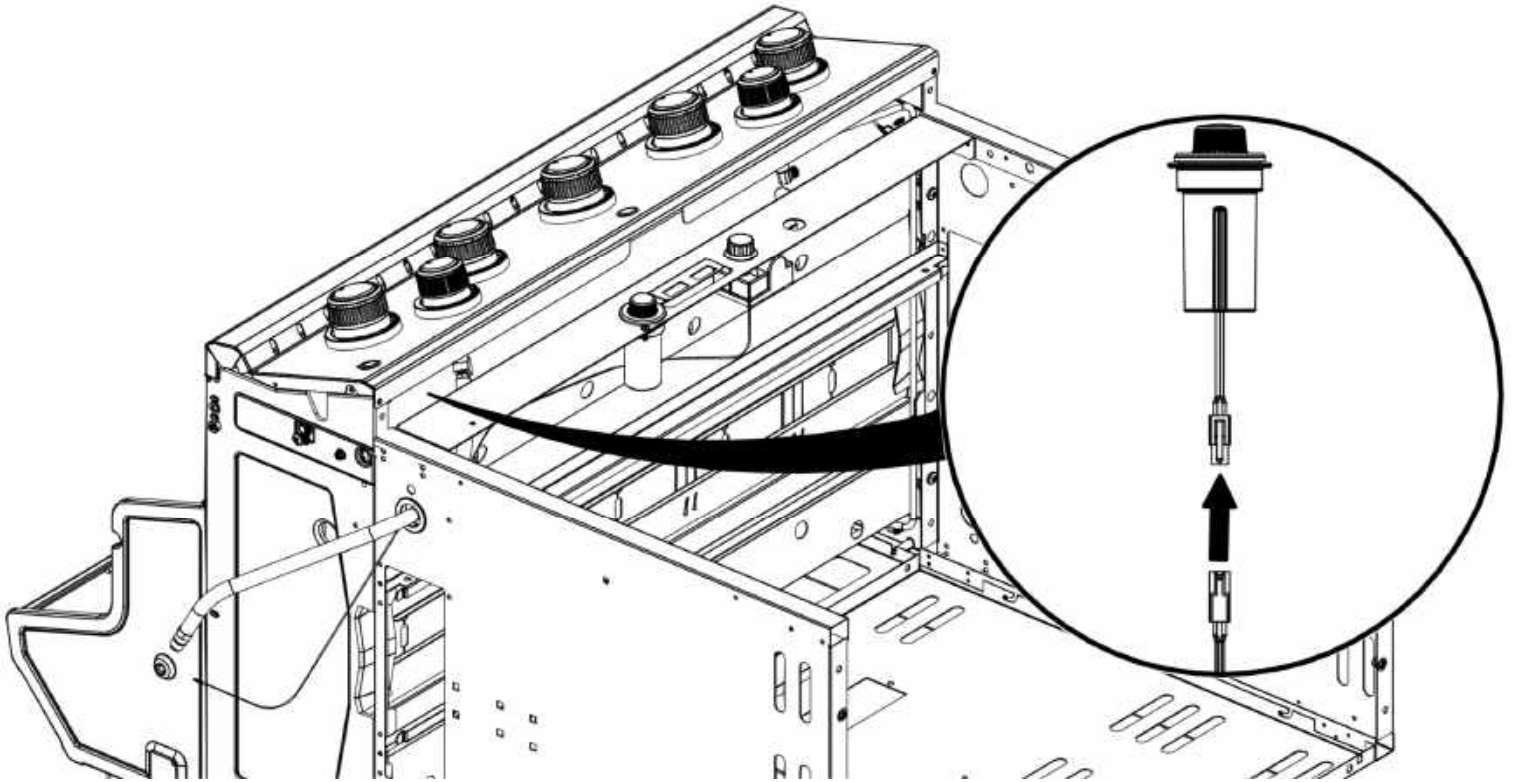
8

(2) 

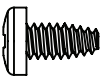


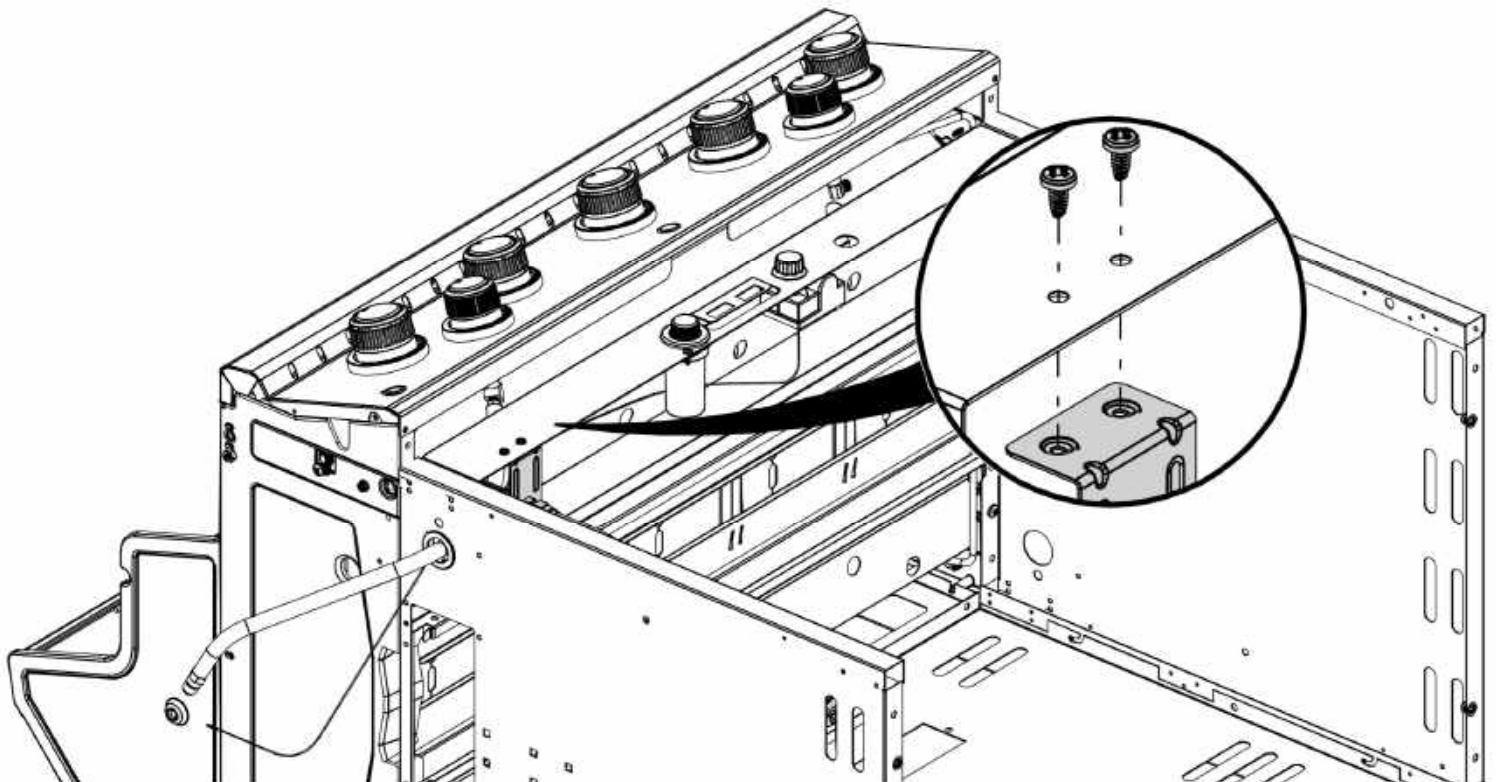


9

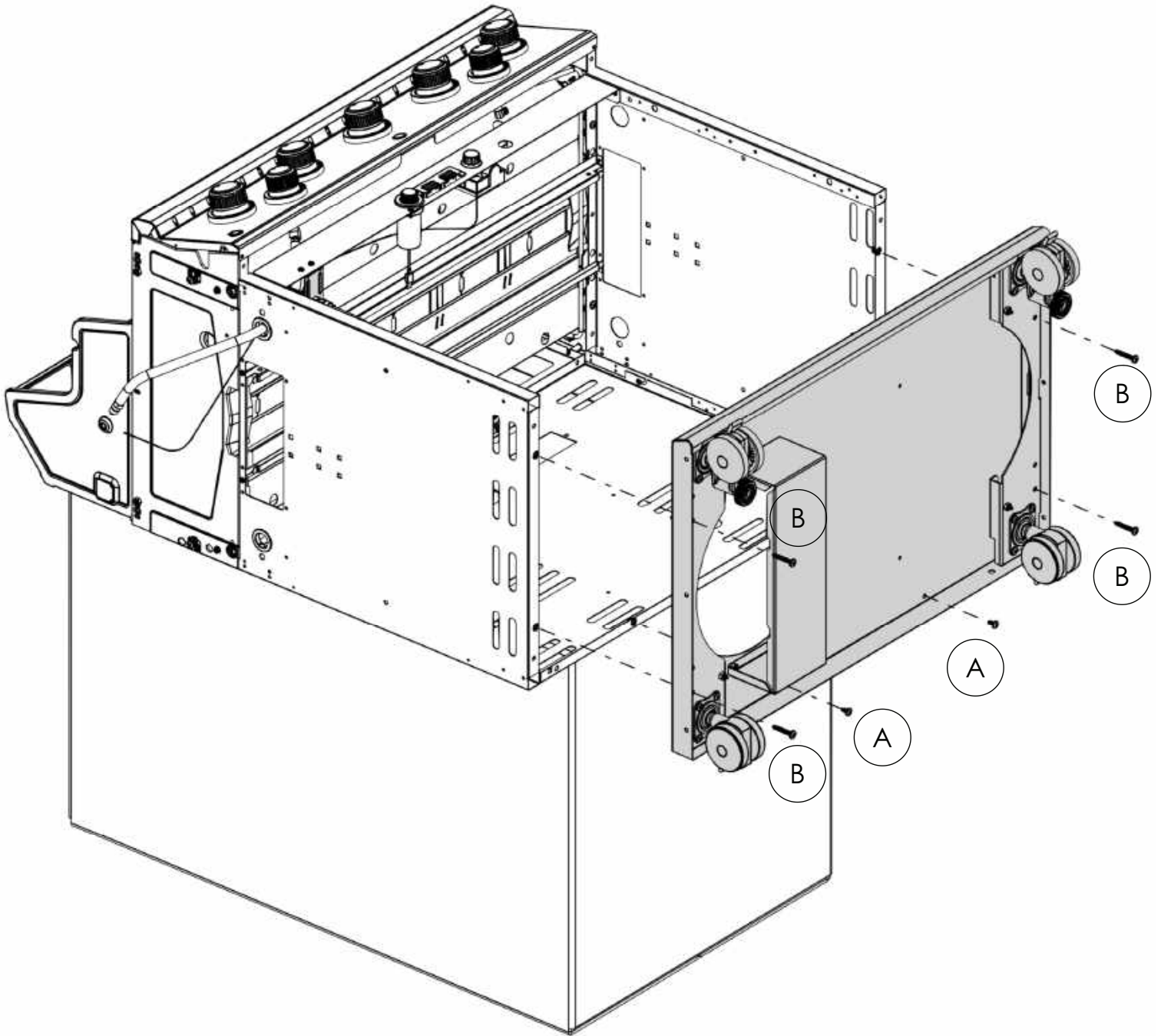
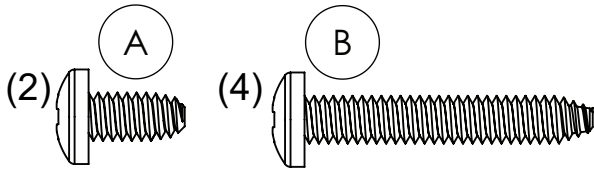


10

(2) 

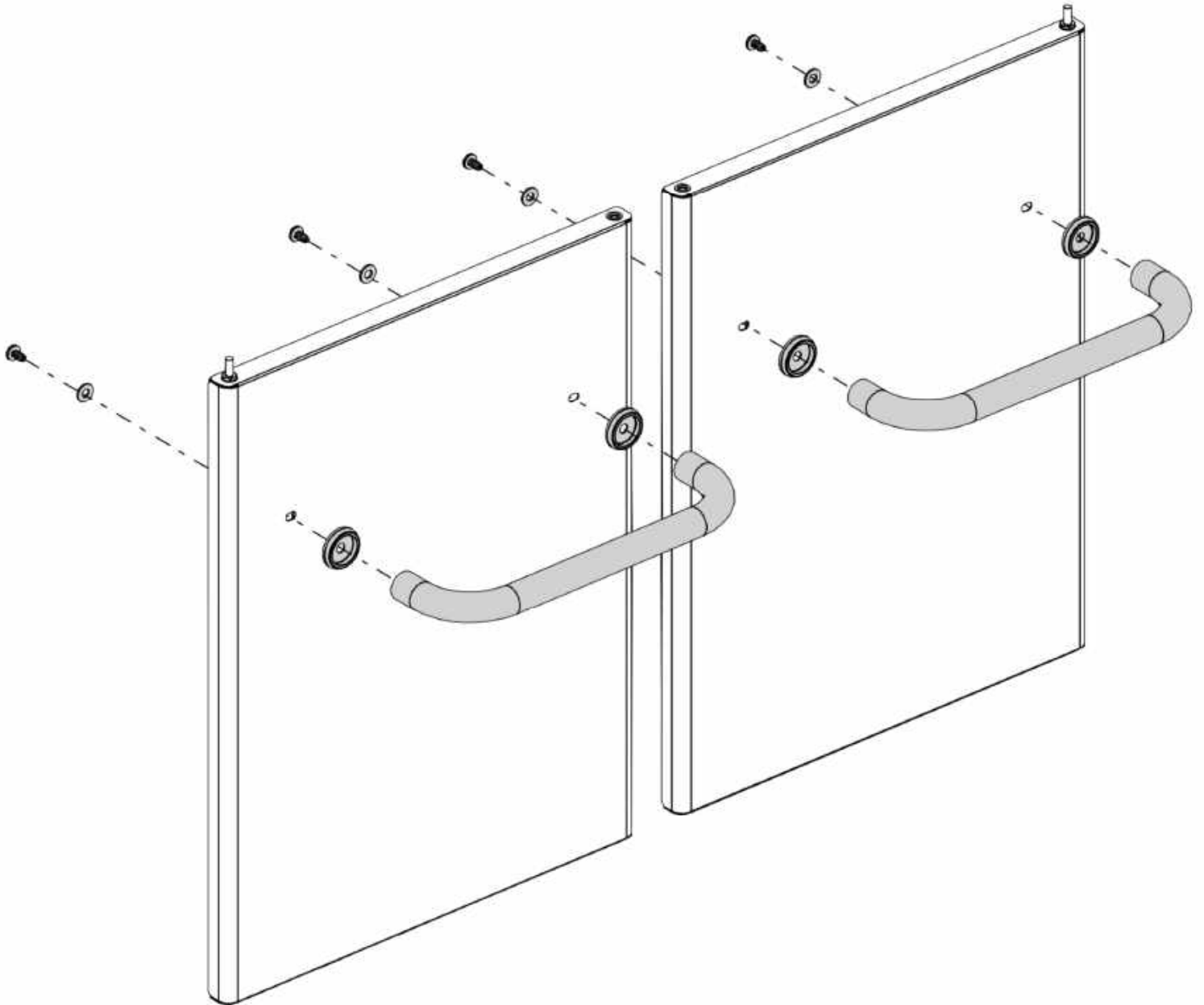
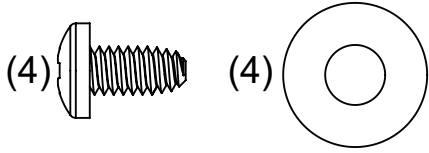


# 11

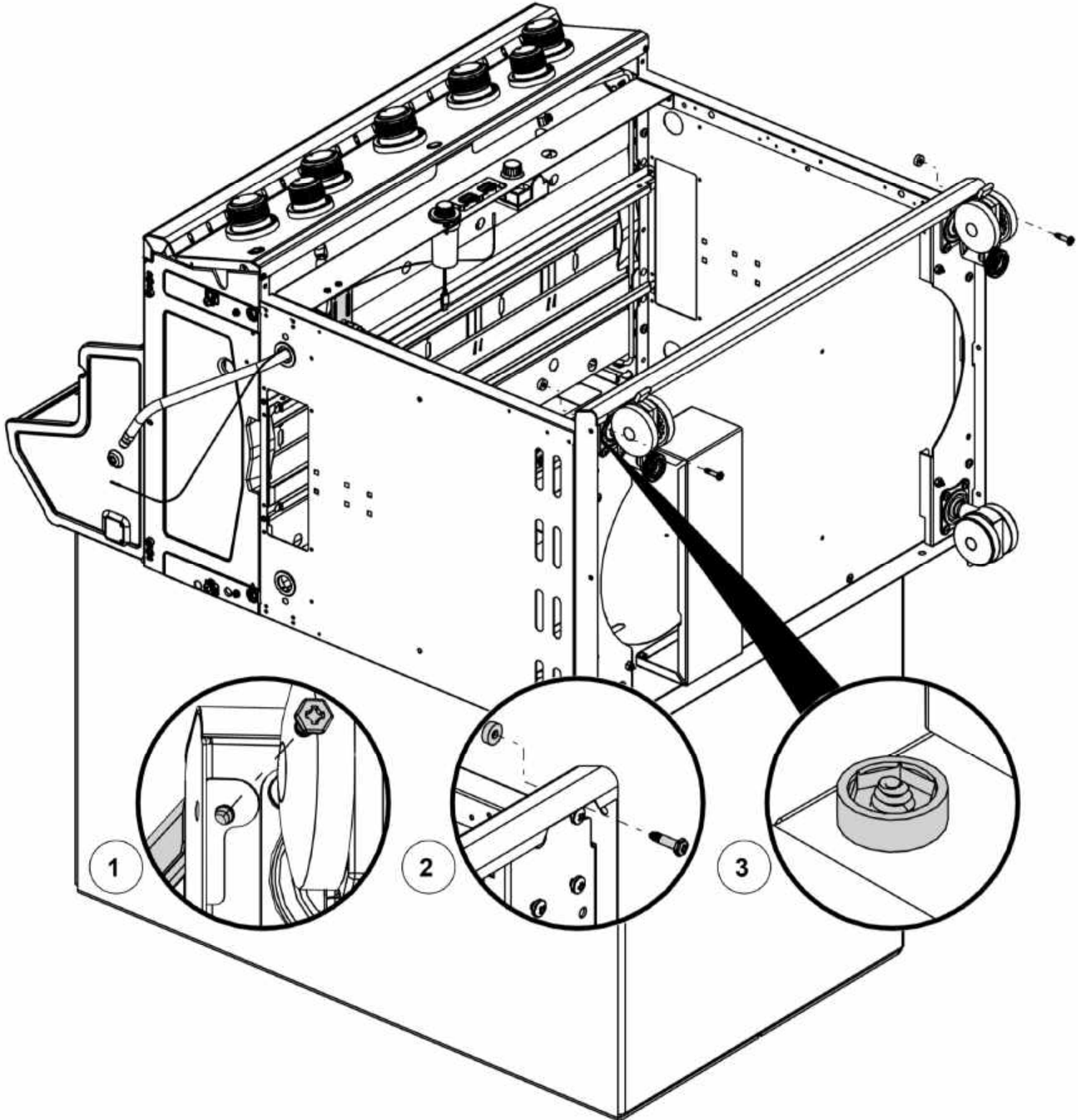
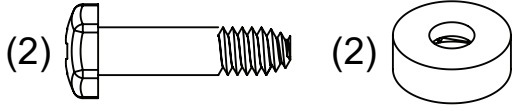


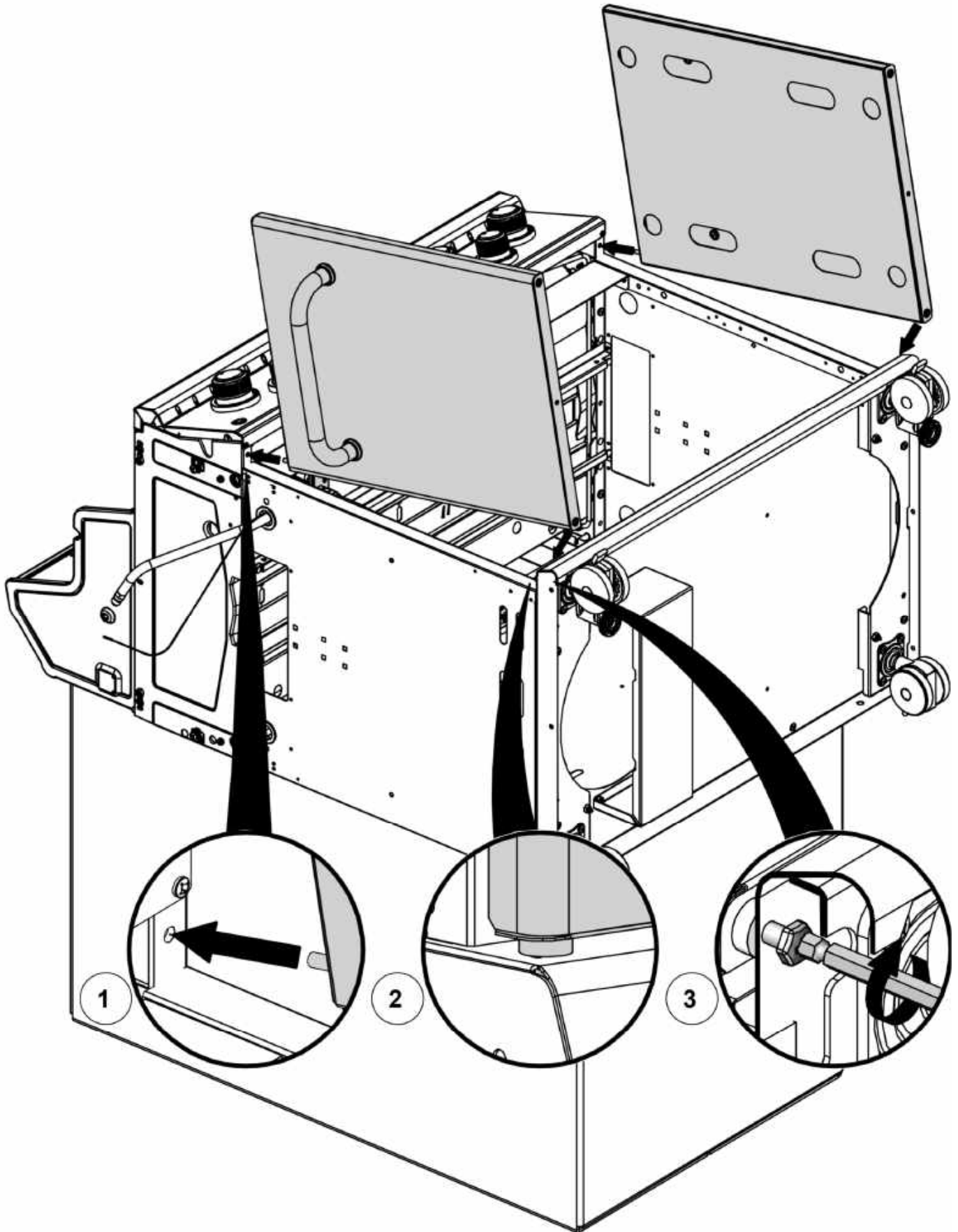


# 12

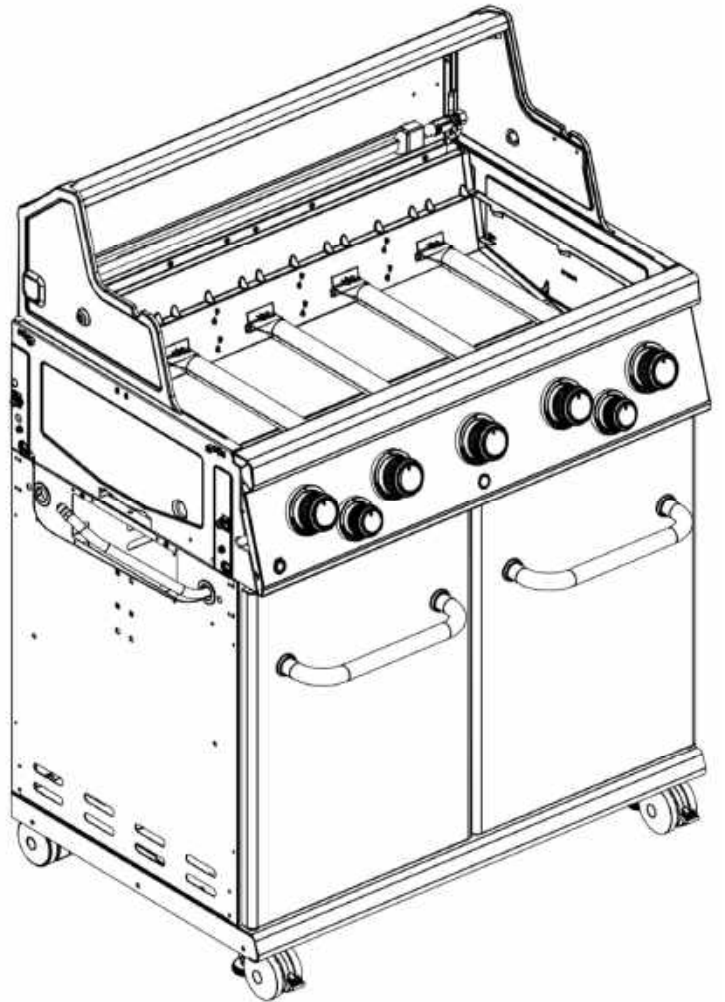
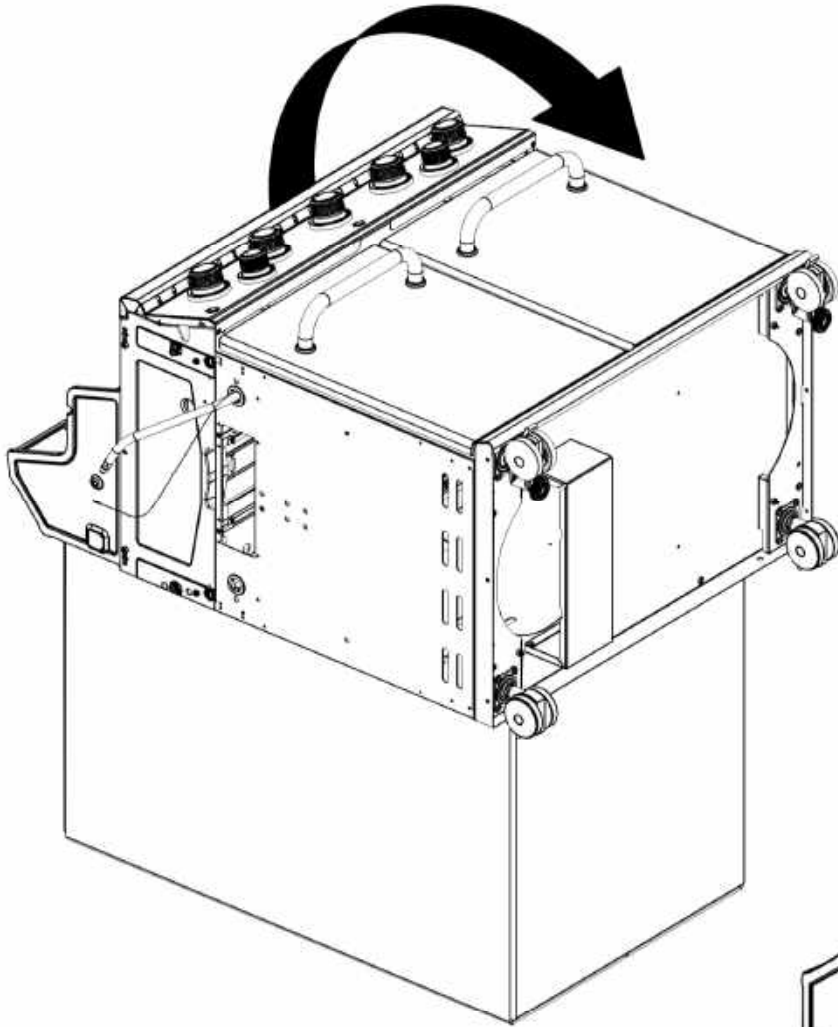


# 13



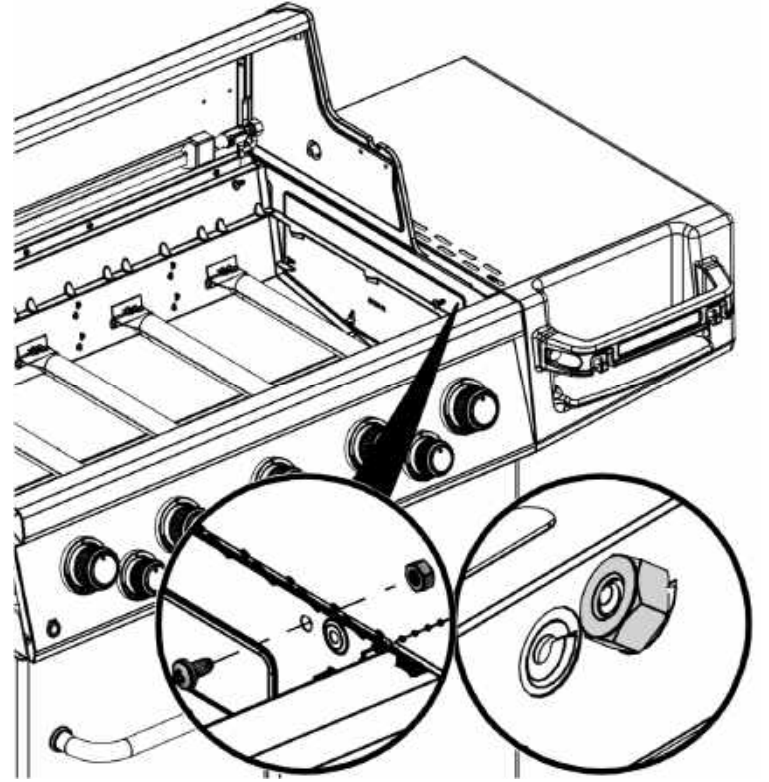
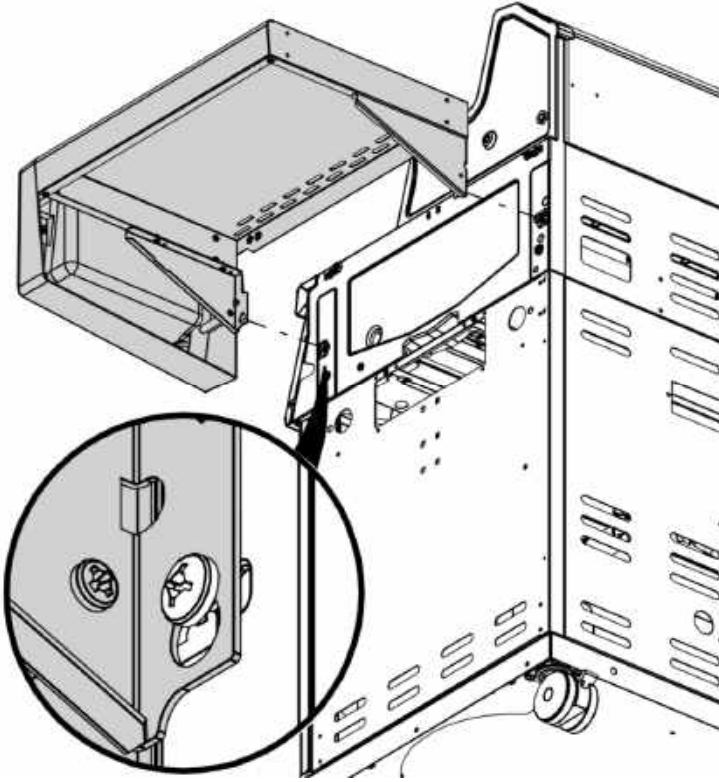
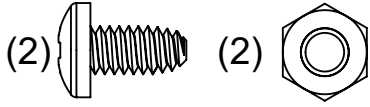


15

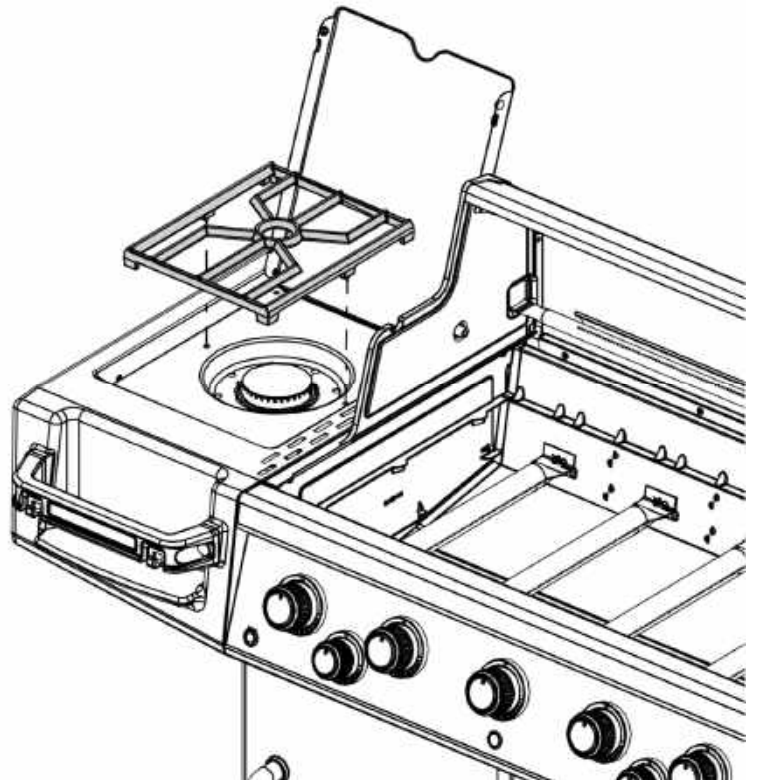
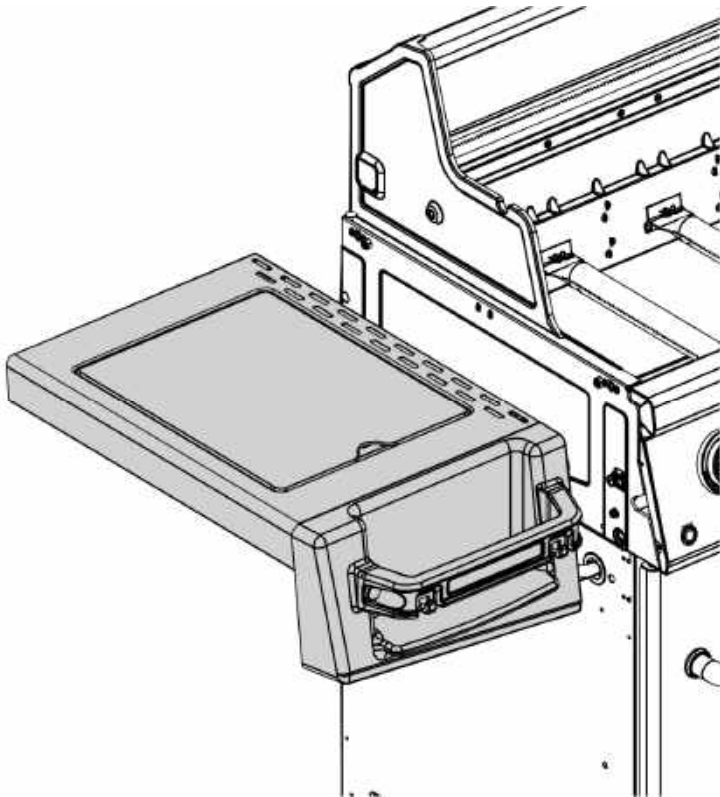
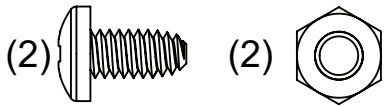




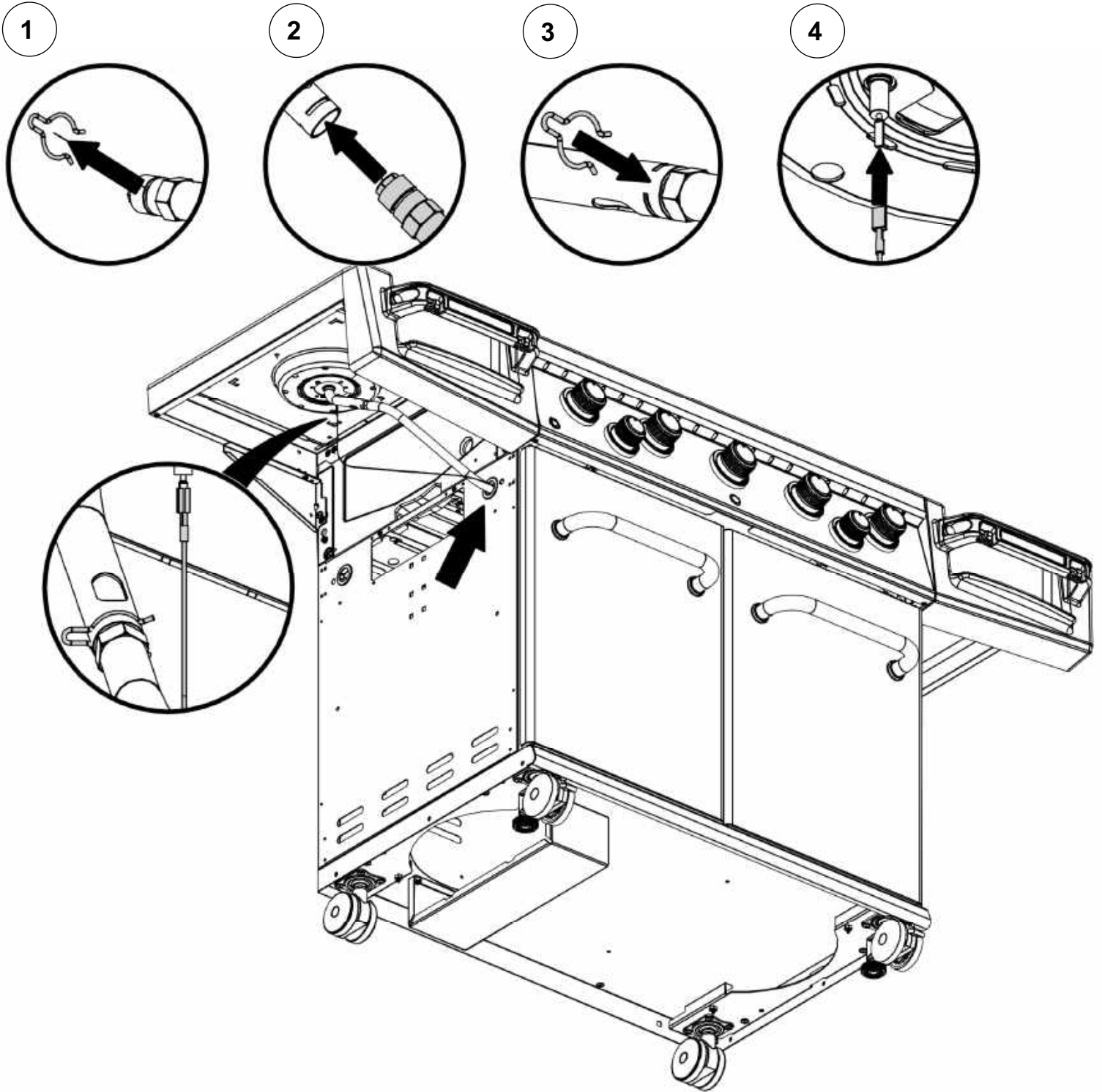
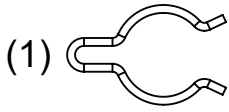
# 16

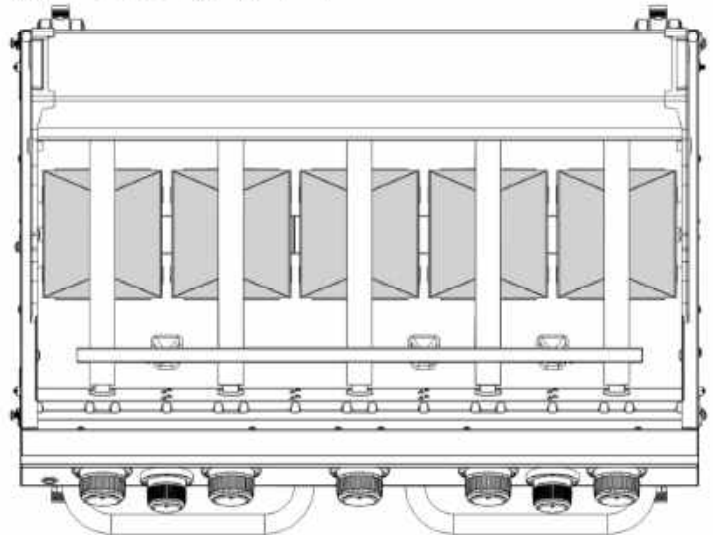
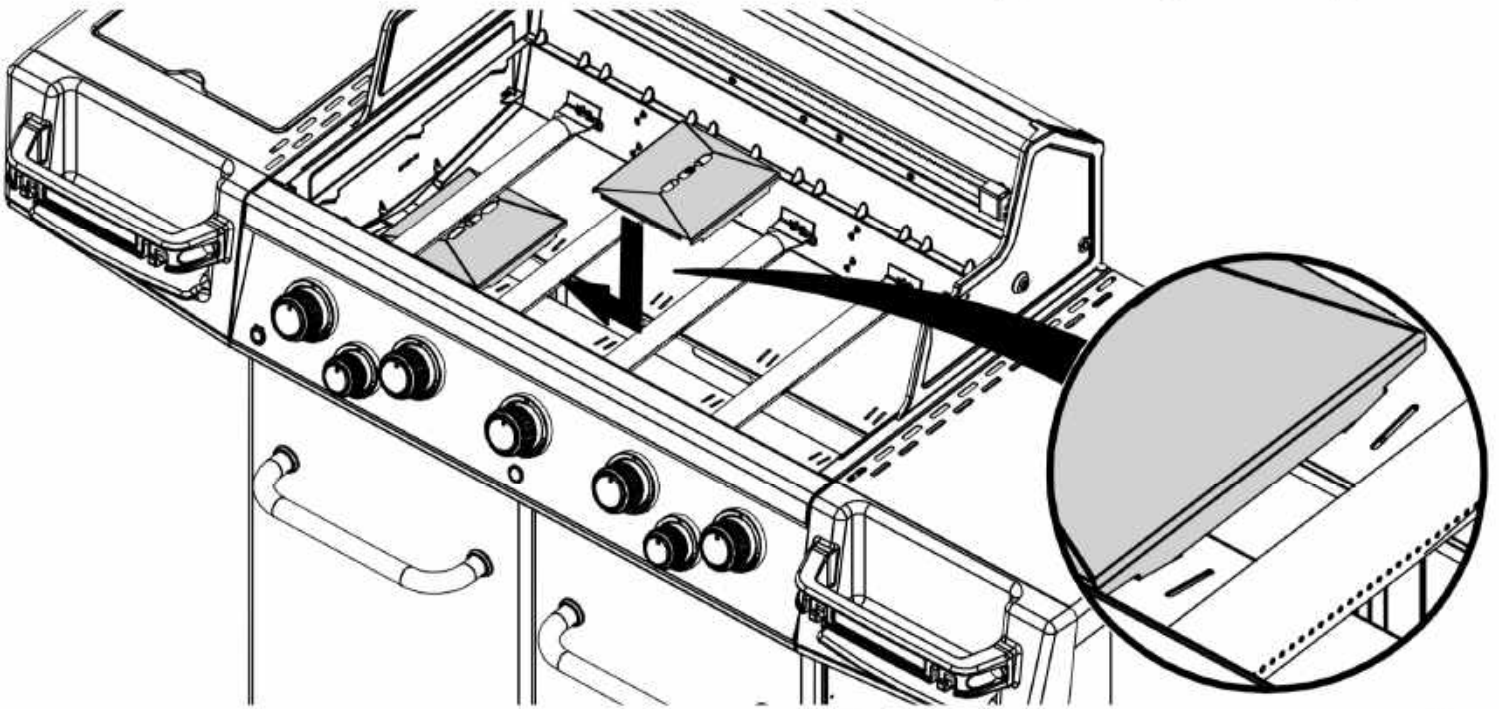
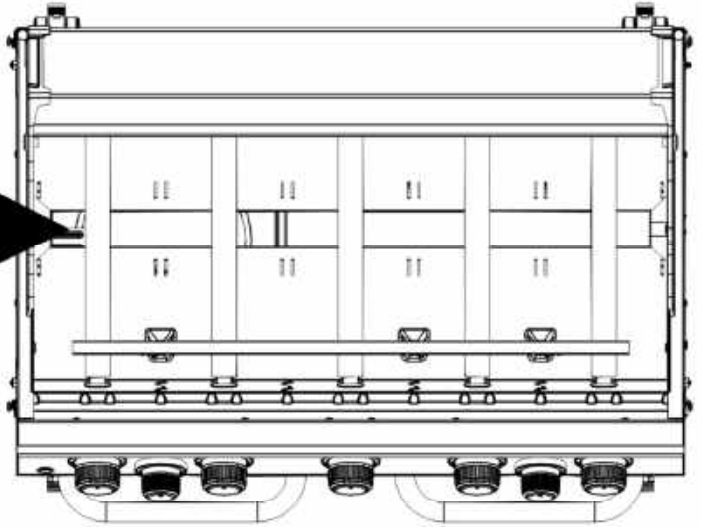
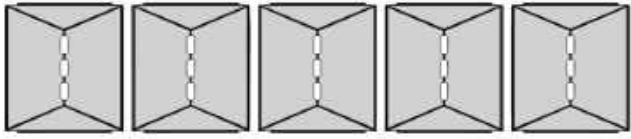


# 17



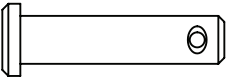
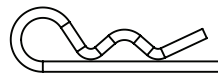
# 18

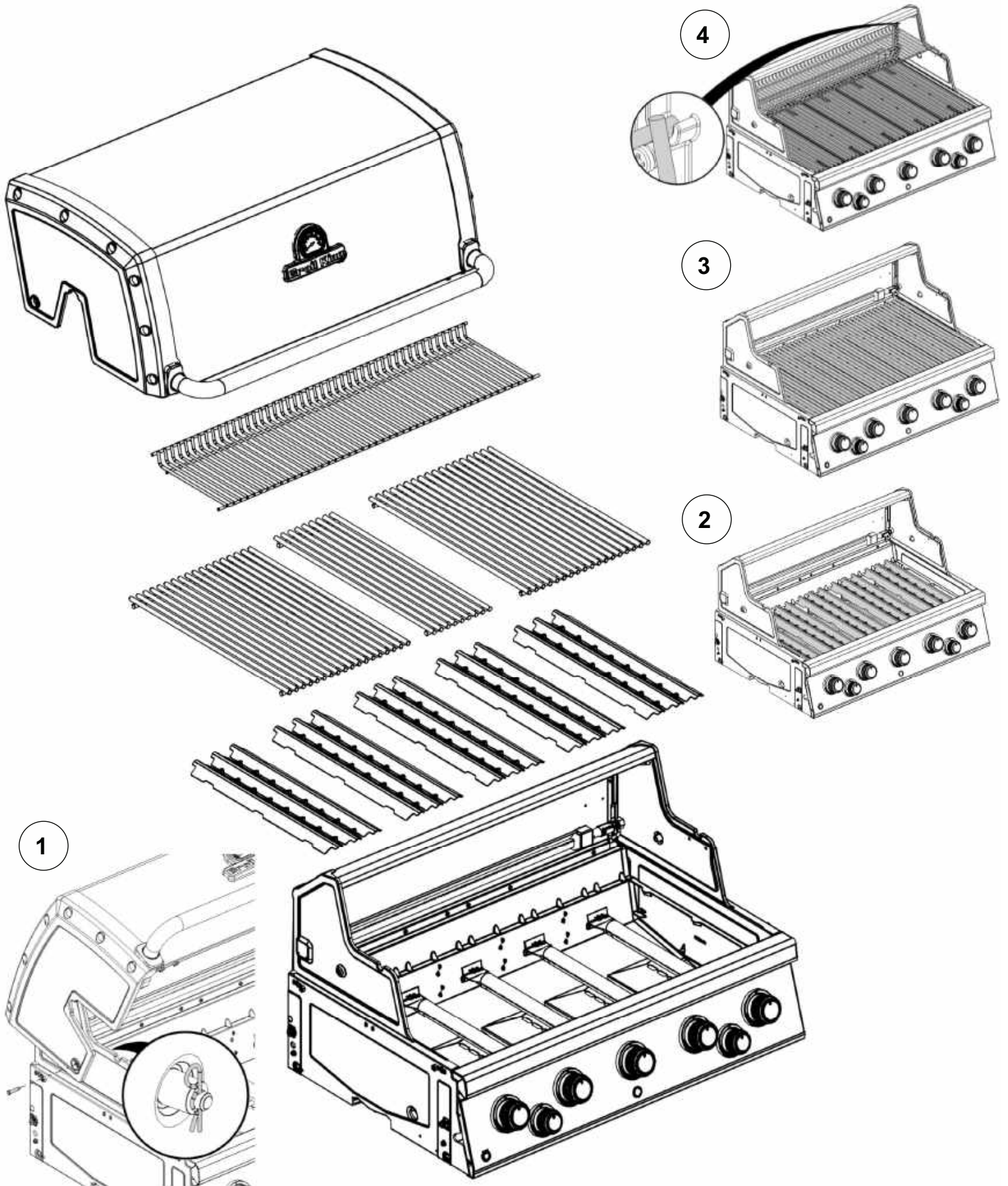




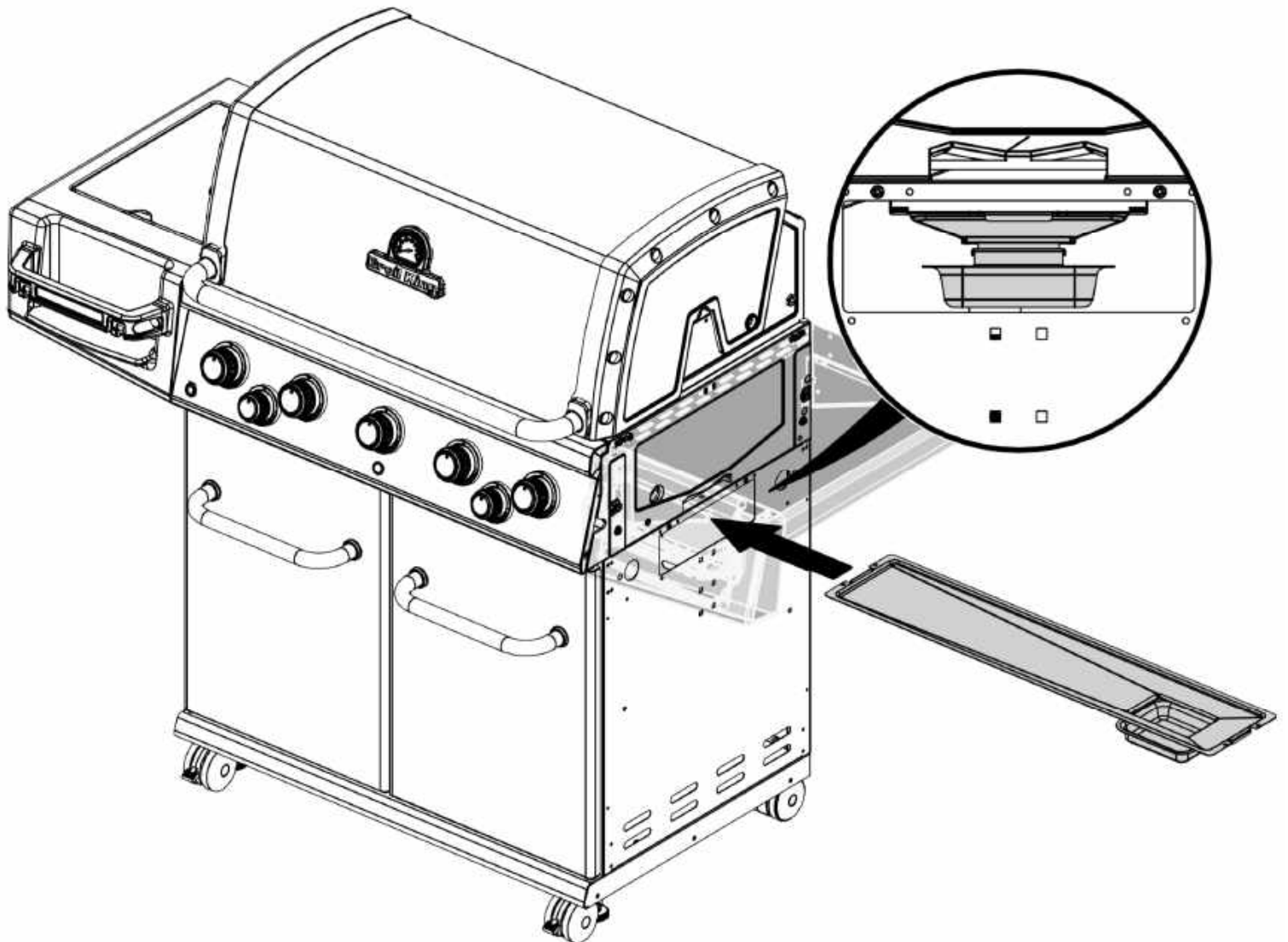
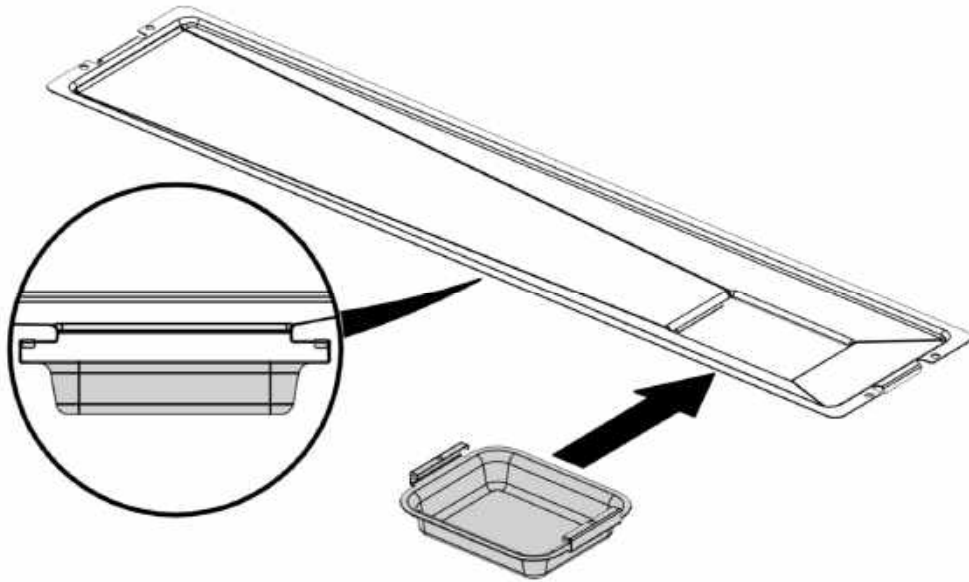


# 20

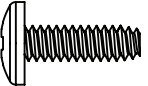
(2)  (2) 

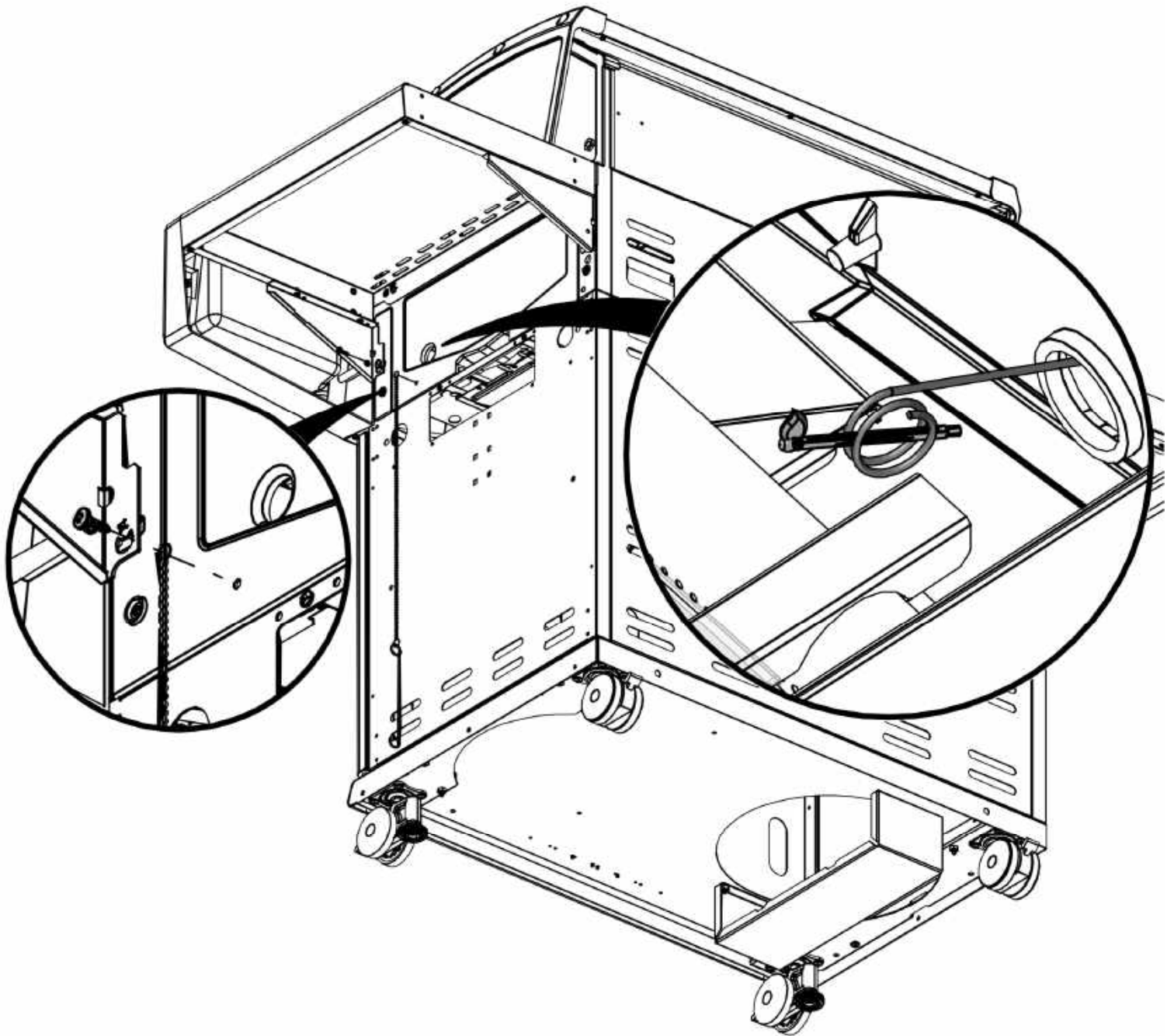




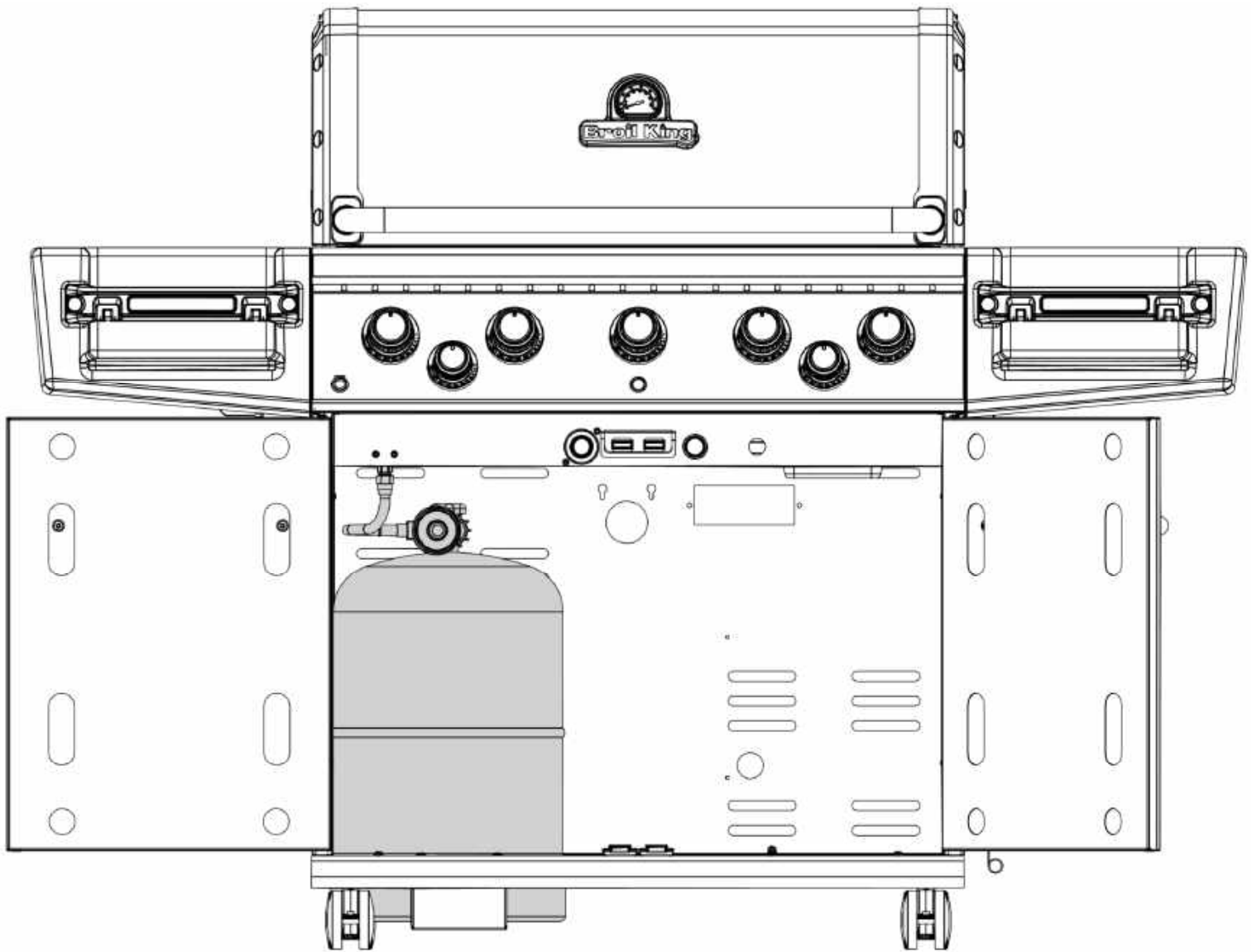
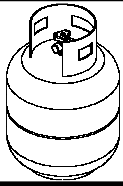


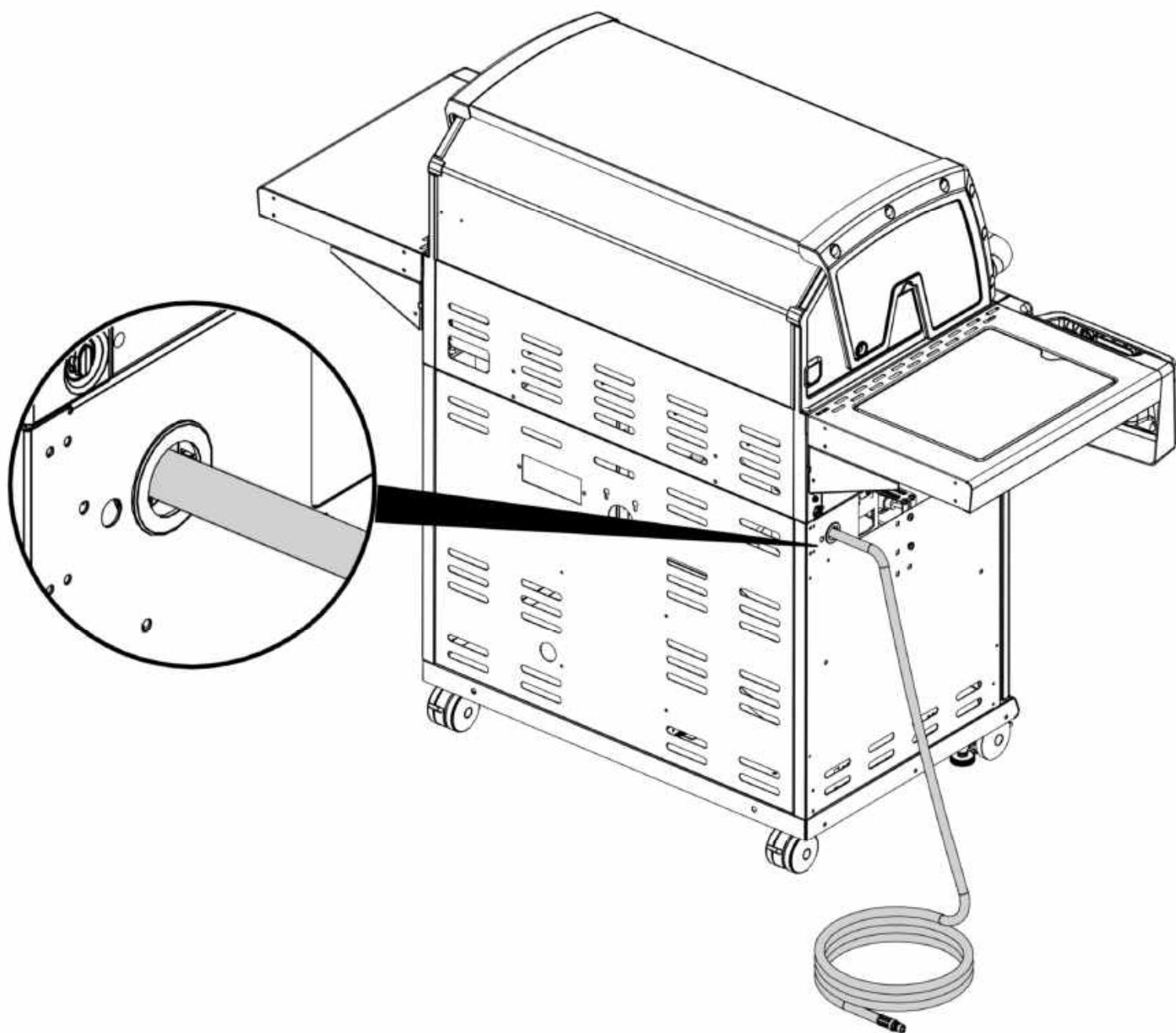
# 22

(1)  (1)



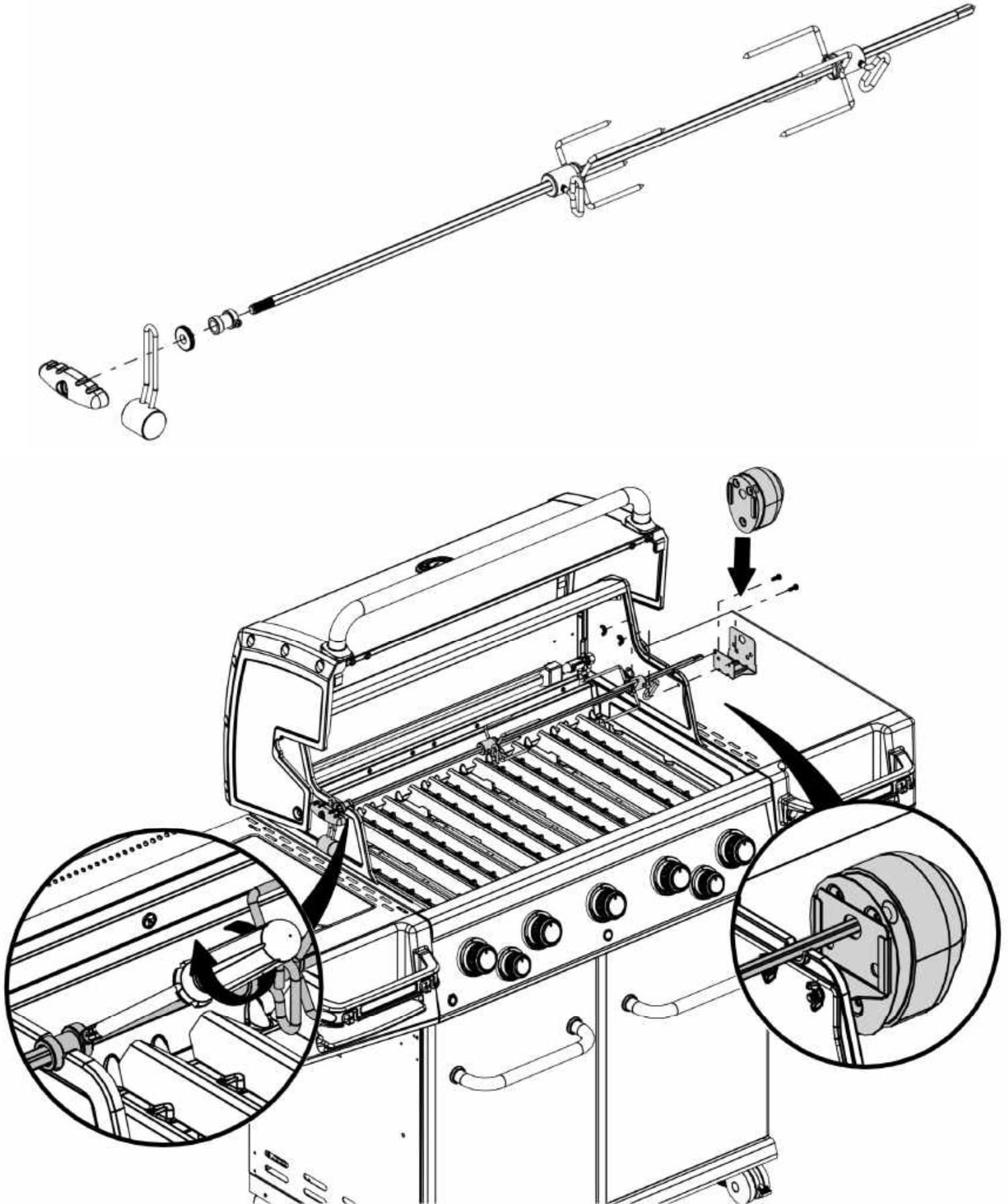
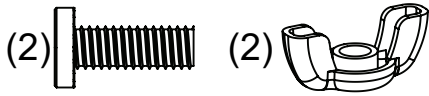
23







# 25



PARTS LIST / LISTE DES PIÈCES

<u>KEY #</u>	<u>ITEM #</u>	<u>DESCRIPTION</u>	<u>9582-82</u>	<u>9582-83</u>	<u>9583-42</u>	<u>9583-43</u>	<u>9583-46DE</u>
1	27006-004	FIRE BOX ASSEMBLY	1	1	1	1	1
2	86006-301	LID ASSEMBLY	1	1	•	•	•
	86006-304	LID ASSEMBLY	•	•	1	1	1
5	27249-904	GREASE SHIELD	5	5	5	5	5
7	Y-11544	BURNER SCREW	5	5	5	5	5
8	S21242	BURNER CLIP	5	5	5	5	5
18	22005-281	GRID - SS	5	5	•	•	•
	22022-284	GRID - PORCELAIN	•	•	2	2	2
18A	22005-284	GRID - SS	•	•	1	1	1
20	22006-991	GRID - WARMING RACK	1	1	1	1	1
22	22226-014A	COLLECTOR BOX	1	1	1	1	1
25	22909-104D	BURNER	5	•	5	•	•
	22909-104E	BURNER	•	5	•	5	•
	22909-104NGE	BURNER	•	•	•	•	5
26	22001-769	CONTROL KNOB	5	5	5	5	5
26A	22001-669	CONTROL KNOB	2	2	2	2	2
27	22002-264	CONTROL BEZEL	5	5	5	5	5
27A	22001-164	CONTROL BEZEL	2	2	2	2	2
28	22006-884	CONTROL COVER	1	1	1	1	1
32	10111-15A	HOSE	1	1	1	1	1
34	S13473-073	HOSE-SIDE BURNER	1	•	1	•	•
	S13473-079	HOSE-SIDE BURNER	•	1	•	1	•
	S13473-109	HOSE-SIDE BURNER	•	•	•	•	1
34A	Y-11230	SIDE BURNER HOSE CLIP	1	1	1	1	1
35	29006-072	CONTROL ASSEMBLY	1	•	1	•	•
	29006-075	CONTROL ASSEMBLY	•	1	•	1	•
	29006-076	CONTROL ASSEMBLY	•	•	•	•	1
36	10342-T21	SIDE BURNER ELECTRODE	1	1	1	1	1
37	20809-957	REAR BURNER GAS TRAIN	1	1	1	1	1
38	Y-11990	HEX NUT	1	1	1	1	1
42	10342-E22	ELECTRODE	1	1	1	1	1
43	10342-E13	ELECTRODE	2	2	2	2	2
44	10342-45	ELECTRONIC IGNITOR	1	1	1	1	1
44A	25070-92	WIRE - IGNITOR	1	1	1	1	1
44B	25070-93	BUTTON - IGNITOR	1	1	1	1	1
47	21036-991	GREASE RAIL	2	2	2	2	2
48	22009-901	GREASE PAN	1	1	1	1	1
49	27056-901	GREASE TRAY	1	1	1	1	1
51	22209-904	FLAV-R-WAVE®	5	5	5	5	5
56	24006-12A	HANDLE	1	1	1	1	1
58	54009-936	HANDLE - BEZEL	2	2	2	2	2

**PARTS LIST / LISTE DES PIÈCES**

<u>KEY #</u>	<u>ITEM #</u>	<u>DESCRIPTION</u>	<u>9582-82</u>	<u>9582-83</u>	<u>9583-42</u>	<u>9583-43</u>	<u>9583-46DE</u>
59	10081-BK630	NAMEPLATE	1	1	1	1	1
60	10571-6	HEAT INDICATOR	1	1	1	1	1
65	20005-000	MATCH LIGHT - STICK	1	1	1	1	1
68	23276-311A	DOOR	1	1	•	•	•
	23276-214A	DOOR	•	•	1	1	1
69	23276-331A	DOOR	1	1	•	•	•
	23276-234A	DOOR	•	•	1	1	1
70	21106-13	HANDLE	2	2	2	2	2
71	21070-13	HANDLE BEZEL	4	4	4	4	4
78	21336-111	BRACKET - DOOR CATCH	1	1	1	1	1
80	21109-905R	SIDE PANEL	2	2	2	2	2
84	21039-301	LOWER TANK SUPPORT	1	1	1	1	1
88	21306-925R	PANEL - REAR	1	1	1	1	1
90	51096-935	BASE	1	1	1	1	•
	51096-955	BASE	•	•	•	•	•
100	21039-911	CASTOR BRACKET	2	2	2	2	2
102	10892-23	CASTOR	2	2	2	2	2
102A	10892-285	CASTOR	2	2	2	2	2
114	23001-614	SHELF	1	1	1	1	1
115	23001-654	SHELF	1	1	1	1	1
124	23000-271	SHELF-SIDE BURNER	1	1	1	1	1
123	Y-12117	BUSHING	2	2	2	2	2
125	23000-254	COVER-SIDE BURNER	1	1	1	1	1
126	10390-R81D	SIDE BURNER	1	•	1	•	1
	10390-R81A	SIDE BURNER	•	1	•	1	•
128	23009-99	GRID	1	1	1	1	1
130	27906-354	BURNER ROTISSERIE	1	1	1	1	1
131	10693-099	REAR BURNER-ORIFICE	1	•	1	•	•
	10693-102	REAR BURNER-ORIFICE	•	1	•	1	•
	10693-155	REAR BURNER-ORIFICE	•	•	•	•	1
133	S15271	HANDLE	1	1	1	1	1
134	S15270	BALANCER	1	1	1	1	1
135	S15299	WASHER	1	1	1	1	1
136	S15263	BUSHING	1	1	1	1	1
137	S15259	SPIT ROD	1	1	1	1	1
138	S15287	4 PRONG FORKS	2	2	2	2	2
139	57039-901	ROTISSERIE BRACKET	1	1	1	1	1
140	S21125	SCREW #8 X 1/2	4	4	4	4	4
141	Y-11559	BOLT	2	2	2	2	2
144	Y-12220	BUSHING	1	1	1	1	1
145	S21235	HINGE PIN	2	2	2	2	2

**PARTS LIST / LISTE DES PIECES**

<u>KEY #</u>	<u>ITEM #</u>	<u>DESCRIPTION</u>	<u>9582-82</u>	<u>9582-83</u>	<u>9583-42</u>	<u>9583-43</u>	<u>9583-46DE</u>
146	S21233	HITCH PIN CLIP	2	2	2	2	2
147	Y-11231	LID BUMPER	2	2	2	2	2
148	10240-20	DOOR PIN	2	2	2	2	2
149	Y-11551	DOOR PIN	2	2	2	2	2
150	Y-12124	DOOR PIN CAP	2	2	2	2	2
151	Y-12857	WASHER	4	4	4	4	4
152	Y-12222	MAGNET	2	2	2	2	2
153	Y-12223	SNAP IN MAGNET	2	2	2	2	2
154	Y-11560	SCREW 1/4-20 X 1-1/2	8	8	8	8	8
155	S21124	SCREW #8 X 1/2	16	16	16	16	16
156	Y-11793	NUT 1/4-20	8	8	8	8	8
157	Y-12835	SCREW #6-32 X 1/4	2	2	2	2	2
158	Y-12646	SCREW - SHOULDER #8 X 1/2	2	2	2	2	2
159	S21136	SCREW #8-32 X 3/8	14	14	14	14	14
160	Y-29304	BOLT #10-24 X 3/8	2	2	2	2	2
161	Y-12310	SCREW 1/4-20 X 3/4	4	4	4	4	4
163	S35094	SCREW #10-24 X 5/8	1	1	1	1	1
169	S21061	WING NUT	2	2	2	2	2
171	S15246	MOTOR	1	1	1	1	1
172	S15508	REAR BURNER ELECTRODE	1	1	1	1	1
173	S21362	SPRING	1	1	1	1	1
174	Y-12871	SCREW M4 X 0.7	2	2	2	2	2
180	S35095	SCREW #10-24 X 5/8	2	2	2	2	2
181	25030-73	WIRE - TRANSFORMER	1	1	1	1	1
181A	25070-95	LIGHT SWITCH	1	1	1	1	1
184	25080-80	BATTERY PACK	1	1	1	1	1
186	Y-12865	SCREW 1/4-20 X 1/2	36	36	36	36	32
190	25020-83	WIRE - LED LIGHT	1	1	1	1	1
191	25020-84	WIRE - LED LIGHT	1	1	1	1	1
193	SP11-25	LID BUMPER	2	2	2	2	2





