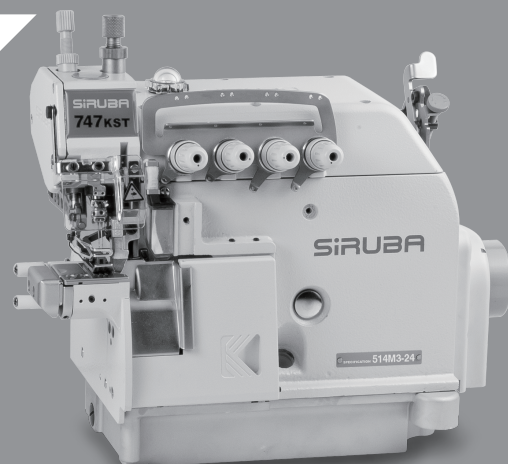


**SIRUBA**<sup>®</sup> Sew Reach

零件圖

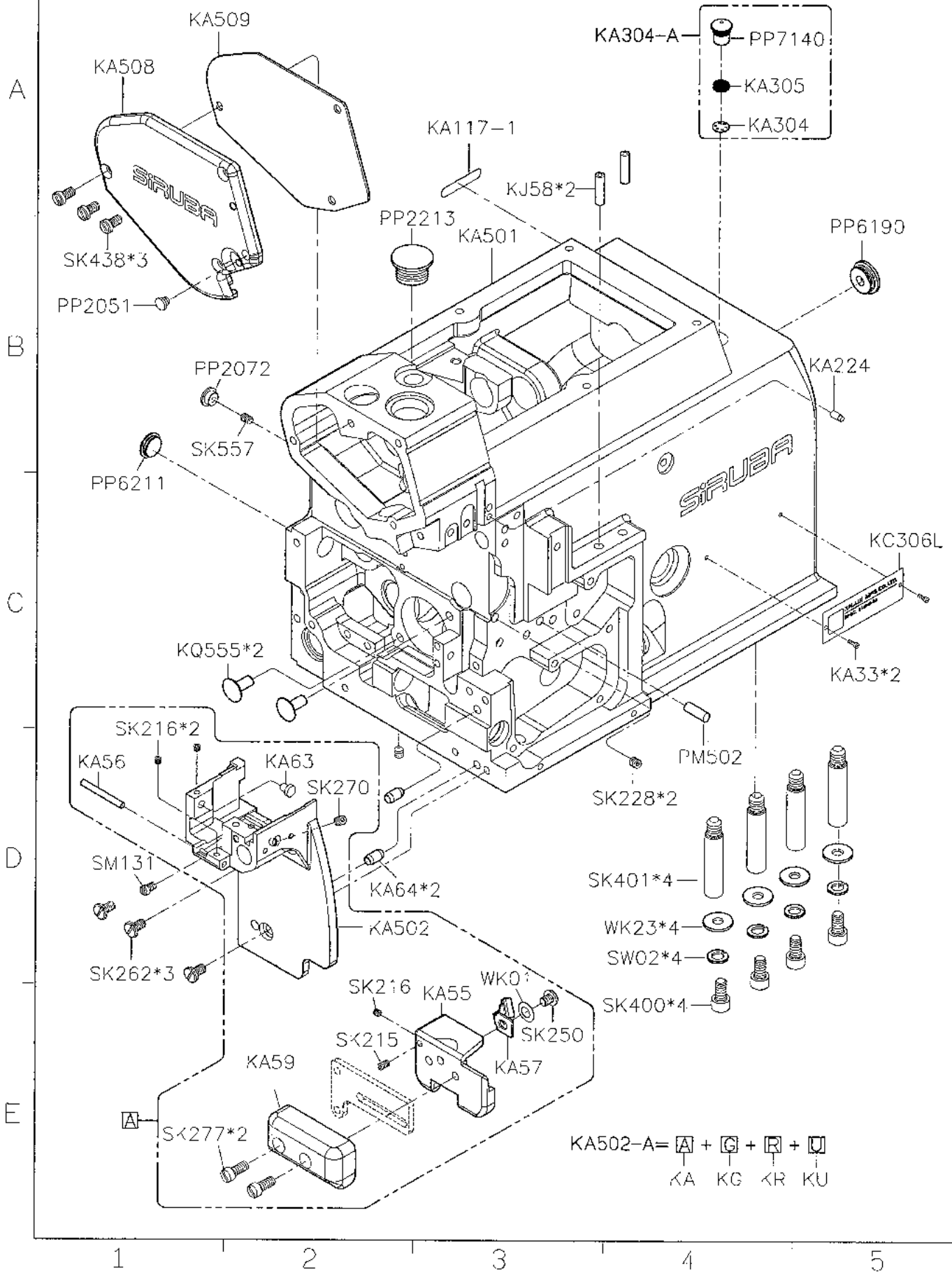
PARTS LIST

■ 700KST

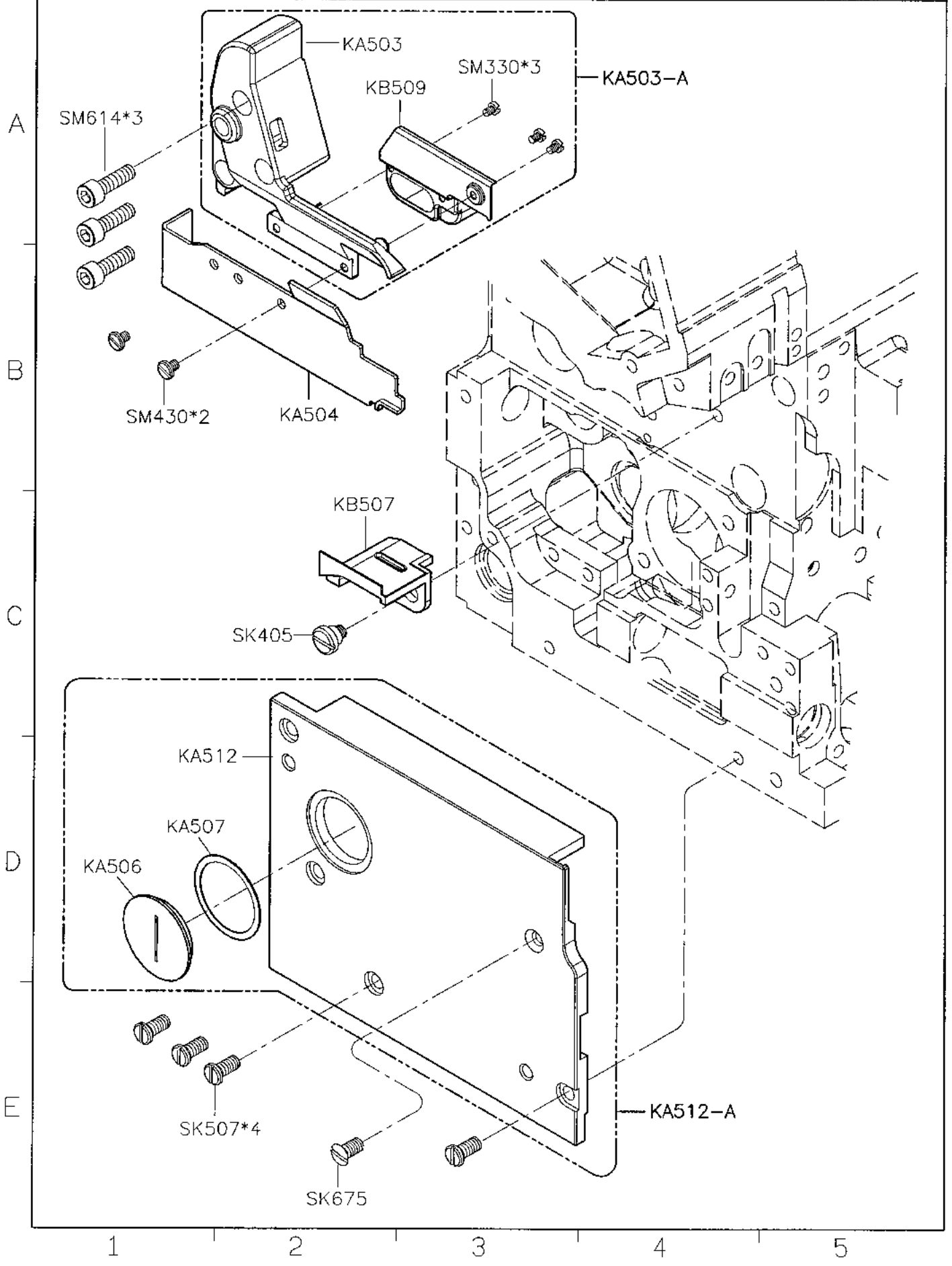


CE

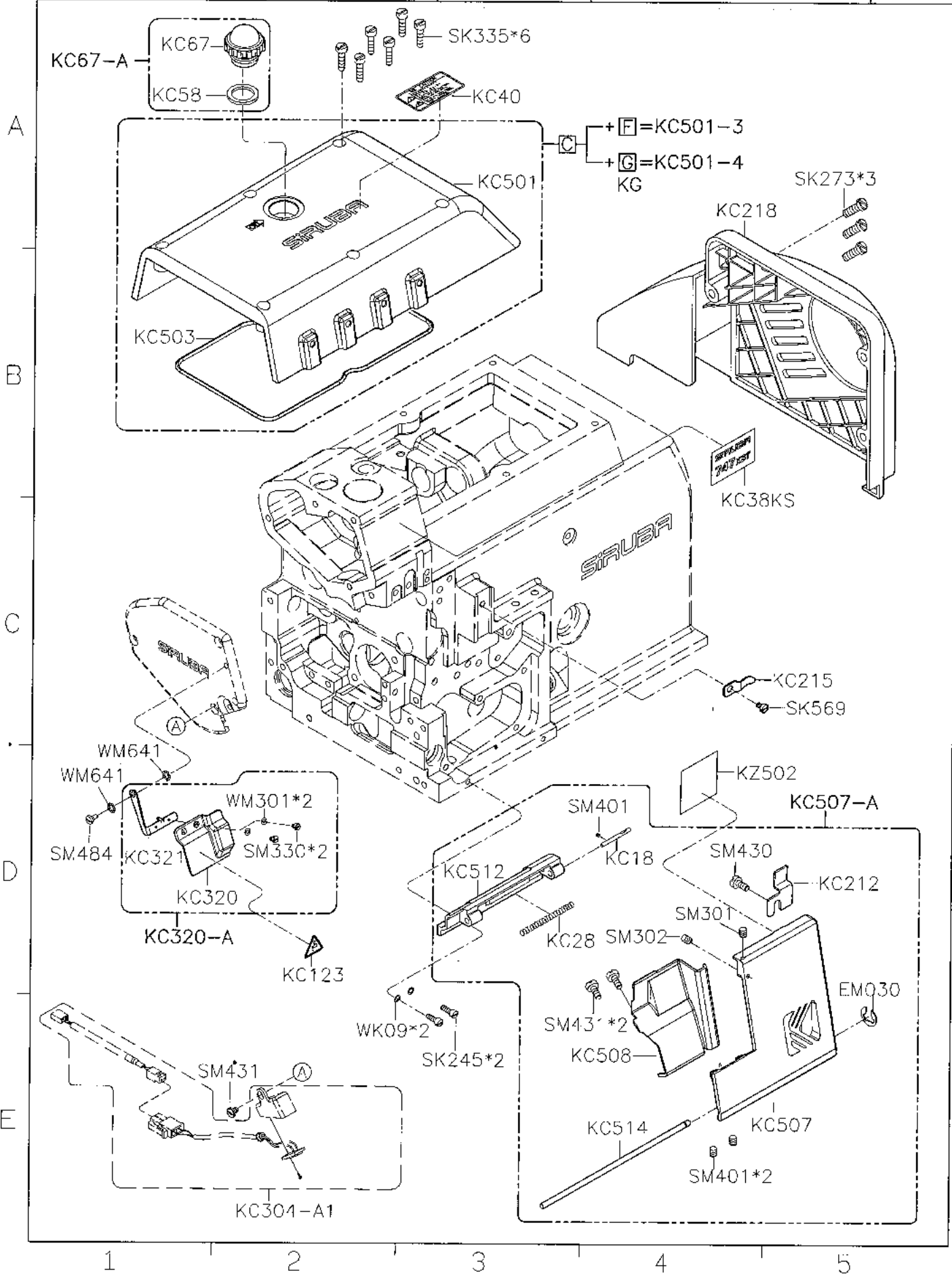




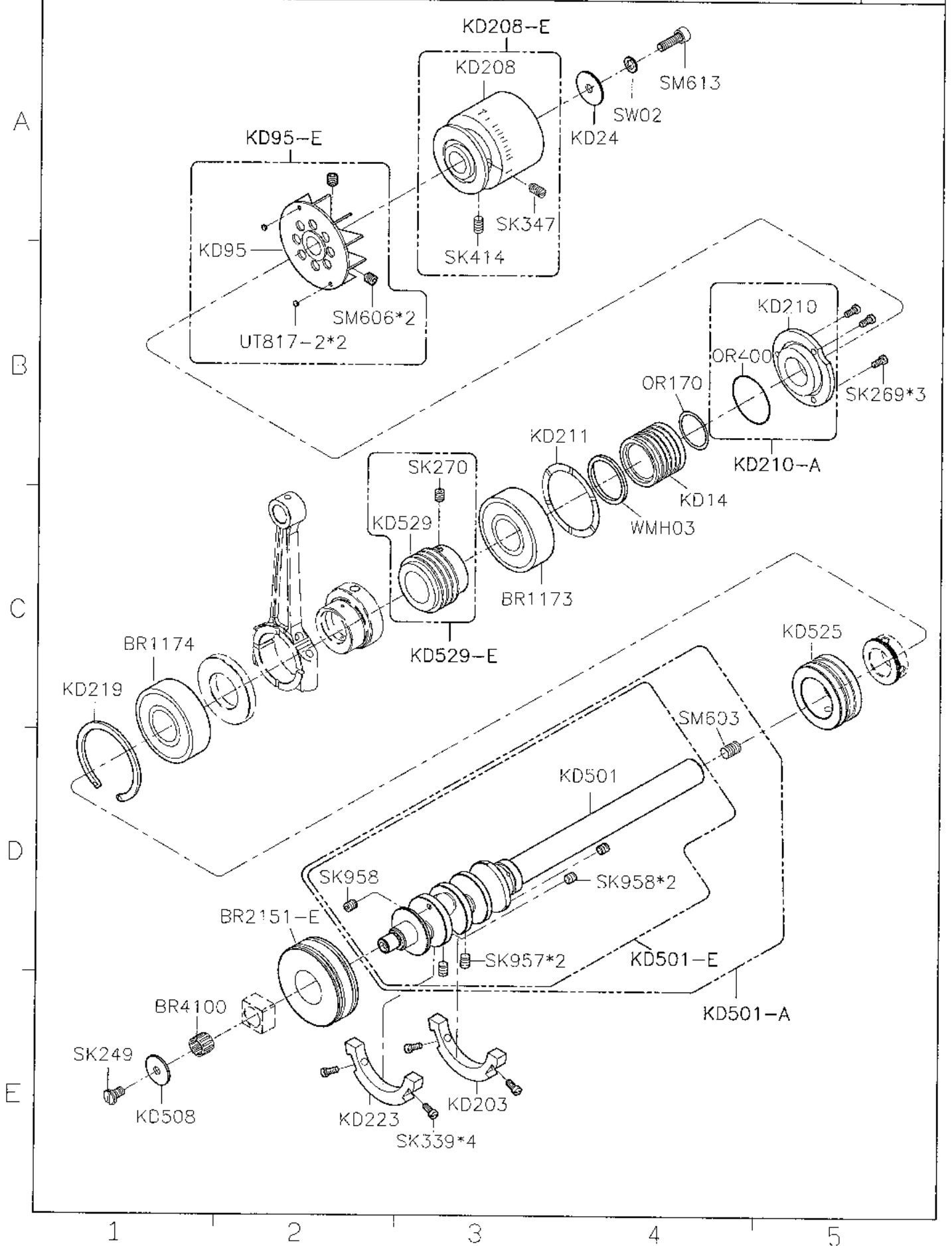
SIRUBA PARTS LIST	Series	Parts Group	Subclass / Remark	Page
	700KST	KB		1/1
				Date
				2016/07/01



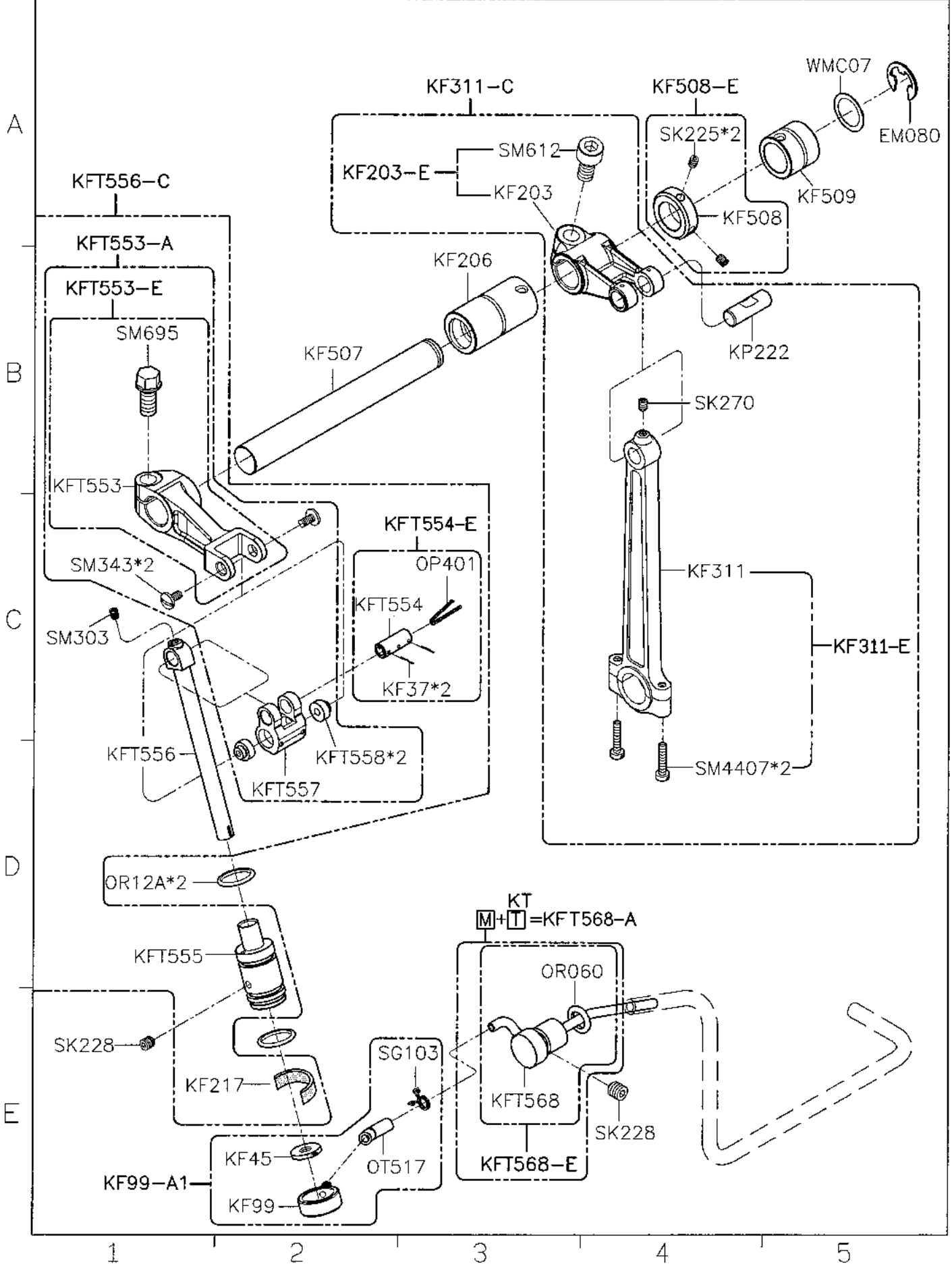
<b>SIRUBA</b> PARTS LIST	Series	Parts Group	Subclass / Remark	Page
	700KS/T	<b>KC</b>		1/1
				Date
				2014/10/01

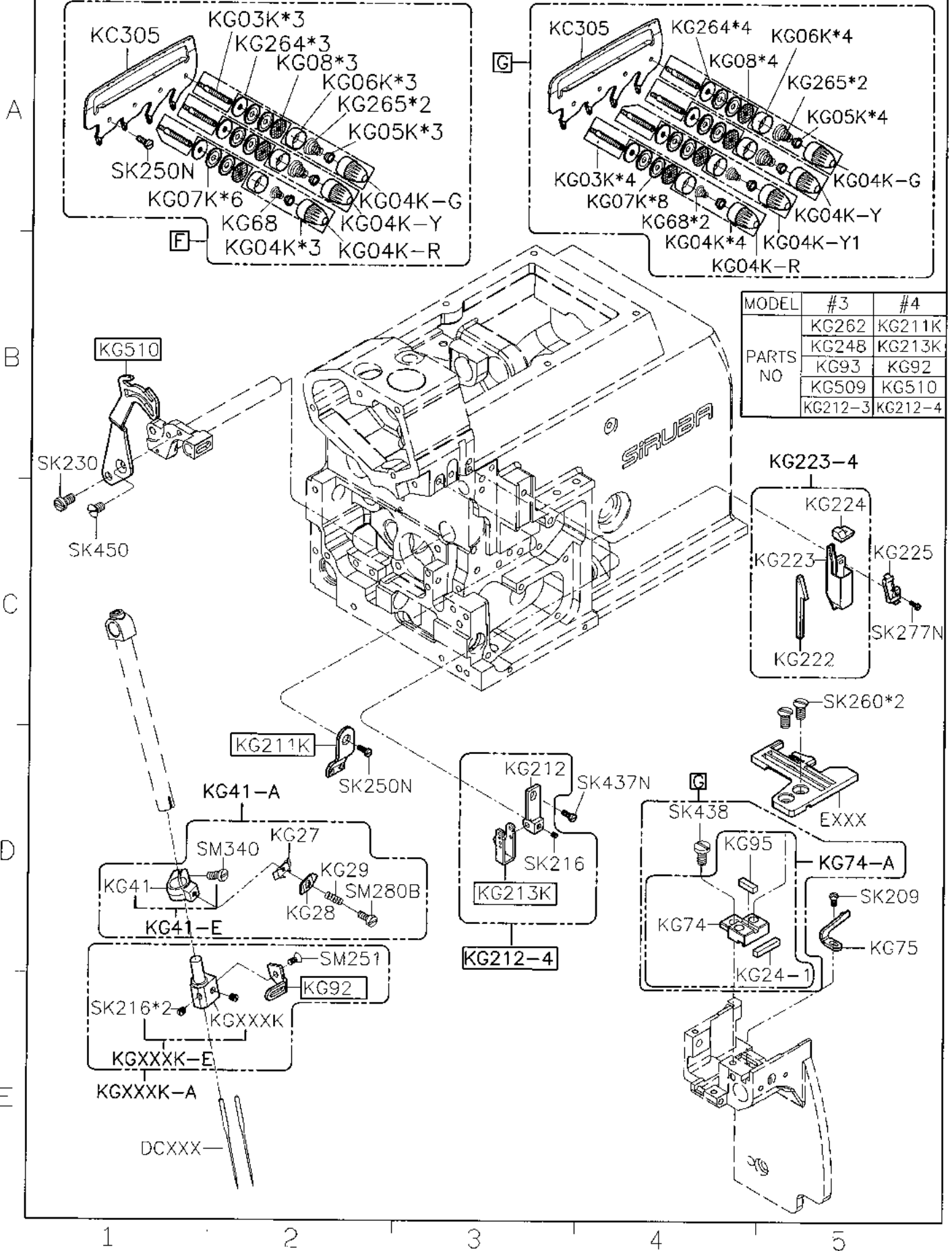


SIRUBA PARTS LIST	Series	Parts Group	Subclass / Remark	Page
	700KST	KD		1/1
				Date
				2017/2/14



<b>SIRUBA</b> PARTS LIST	Series	Parts Group	Subclass / Remark	Page
	700KST	<b>KF</b>		1/1
				Date
				2015/05/18

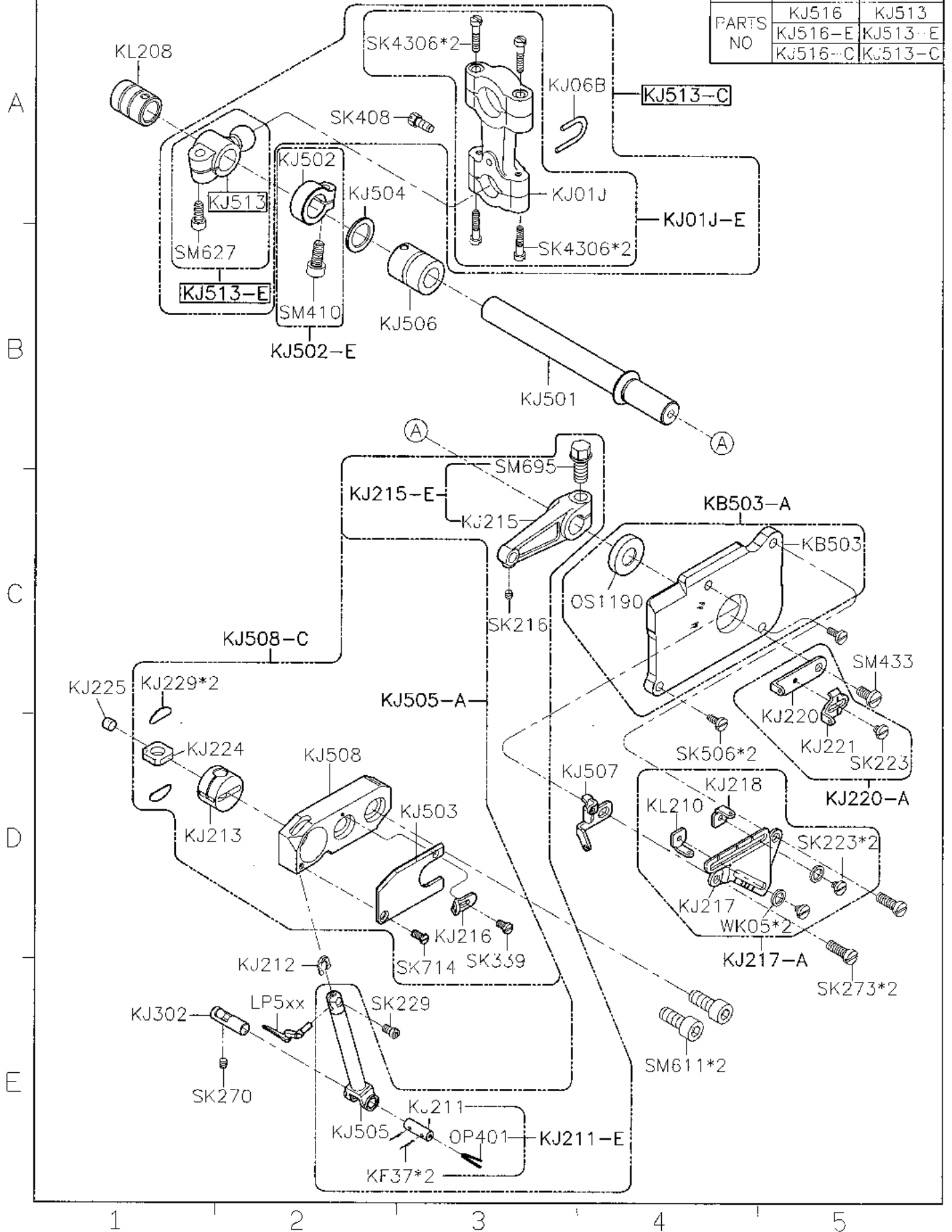




MODEL	#3	#4
PARTS NO	KG262	KG211K
	KG248	KG213K
	KG93	KG92
	KG509	KG510
	KG212-3	KG212-4



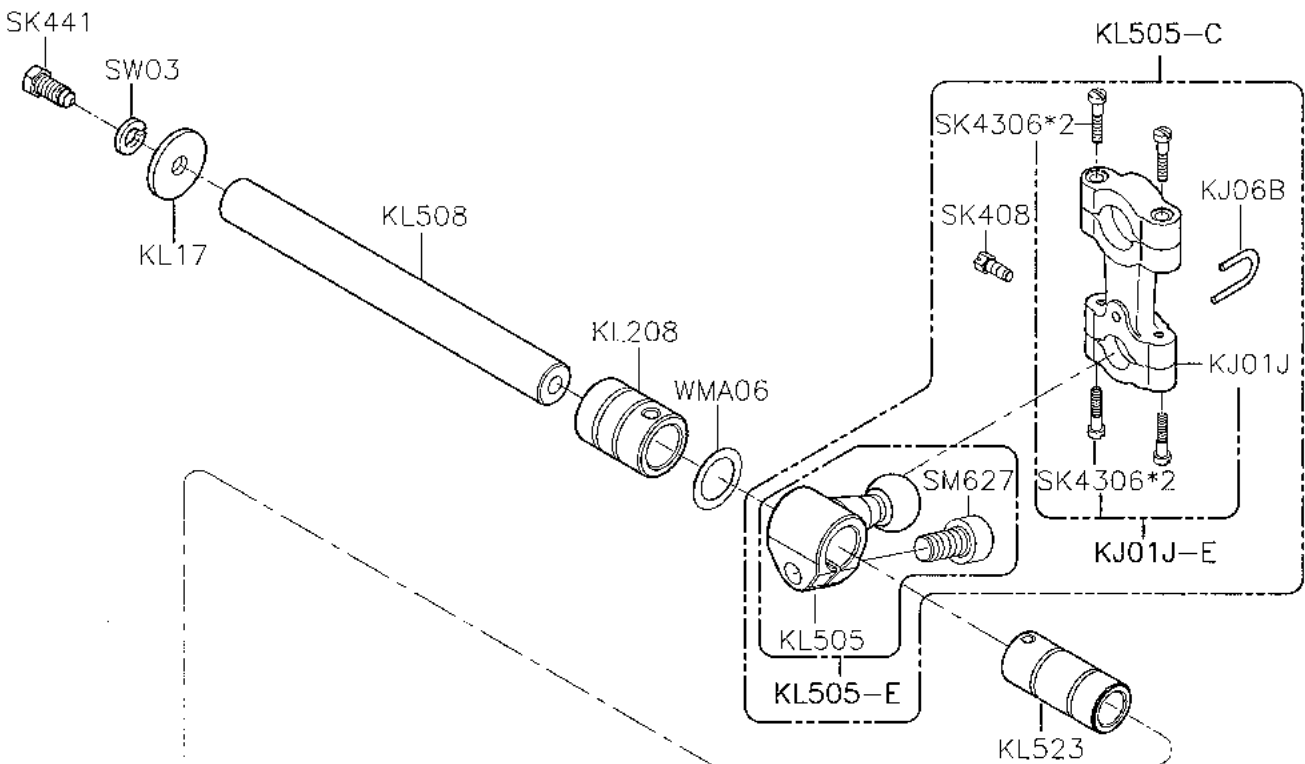
MODEL	#3	#4
PARTS NO	KJ516	KJ513
	KJ516-E	KJ513-E
	KJ516-C	KJ513-C



<b>SIRUBA</b> PARTS LIST	Series	Parts Group	Subclass / Remark	Page
	700KST	<b>KL</b>		1/1
				Date 2016/10/17

MODEL	#3	#4
PARTS NO	KL502A KL514-A1	KL502 KL514-A

A

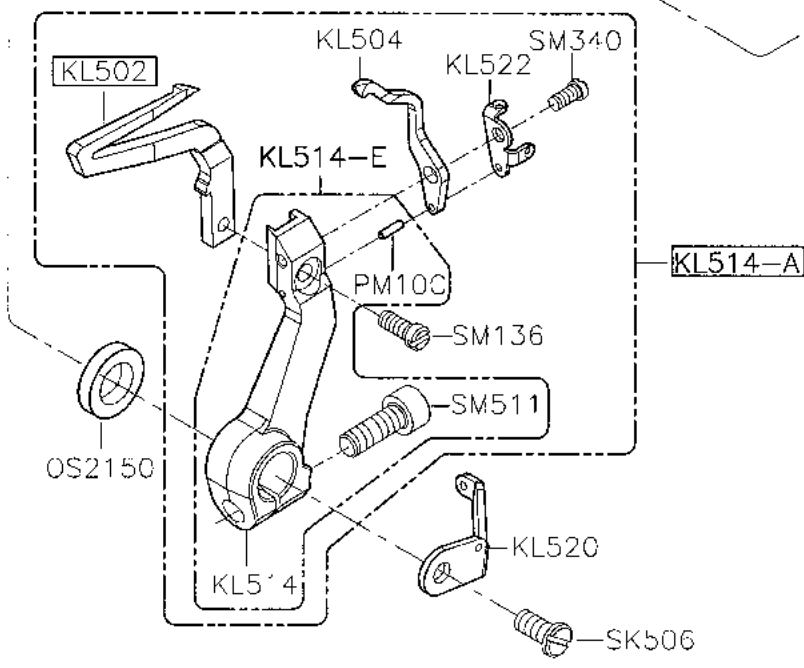


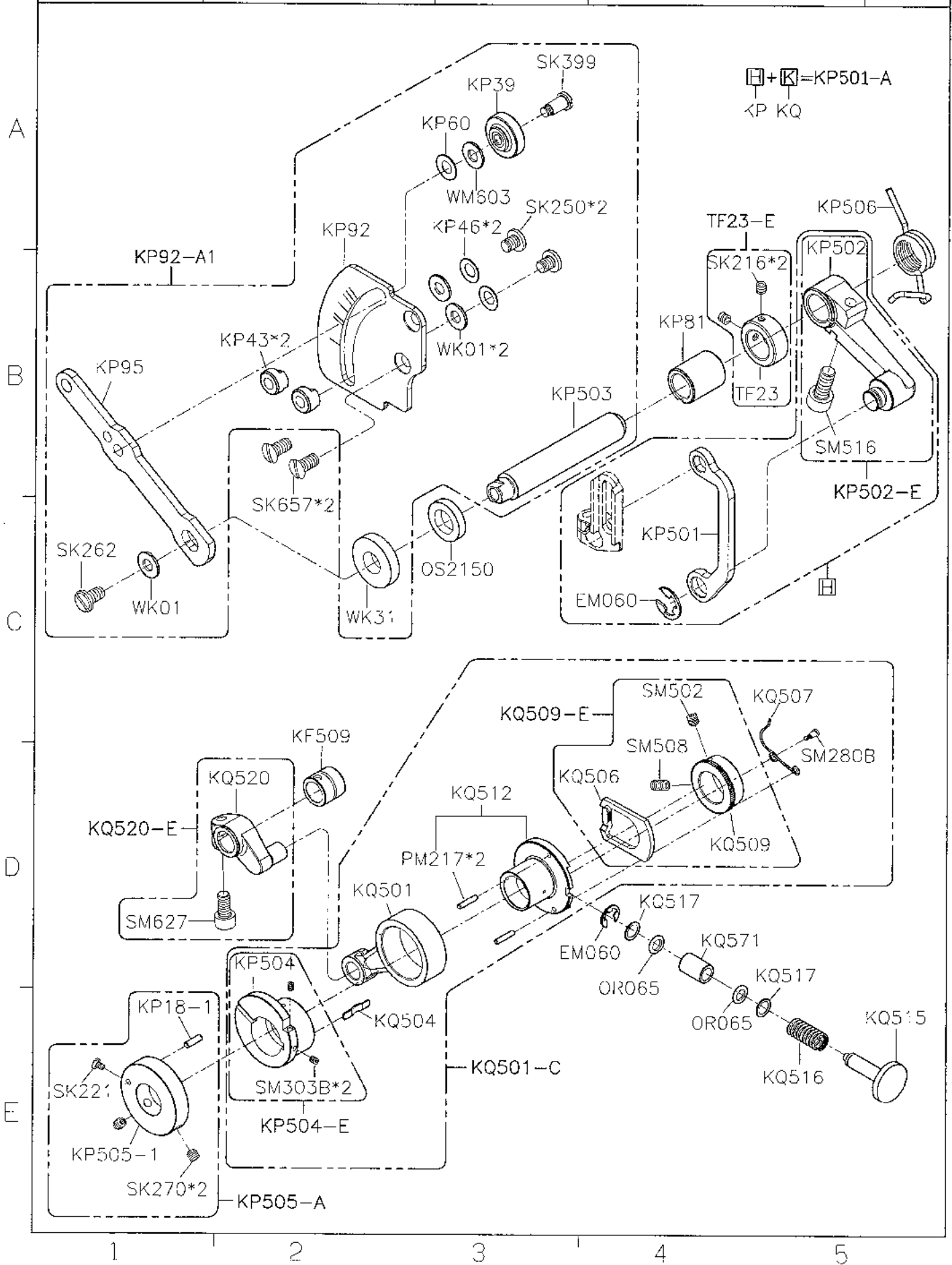
B

C

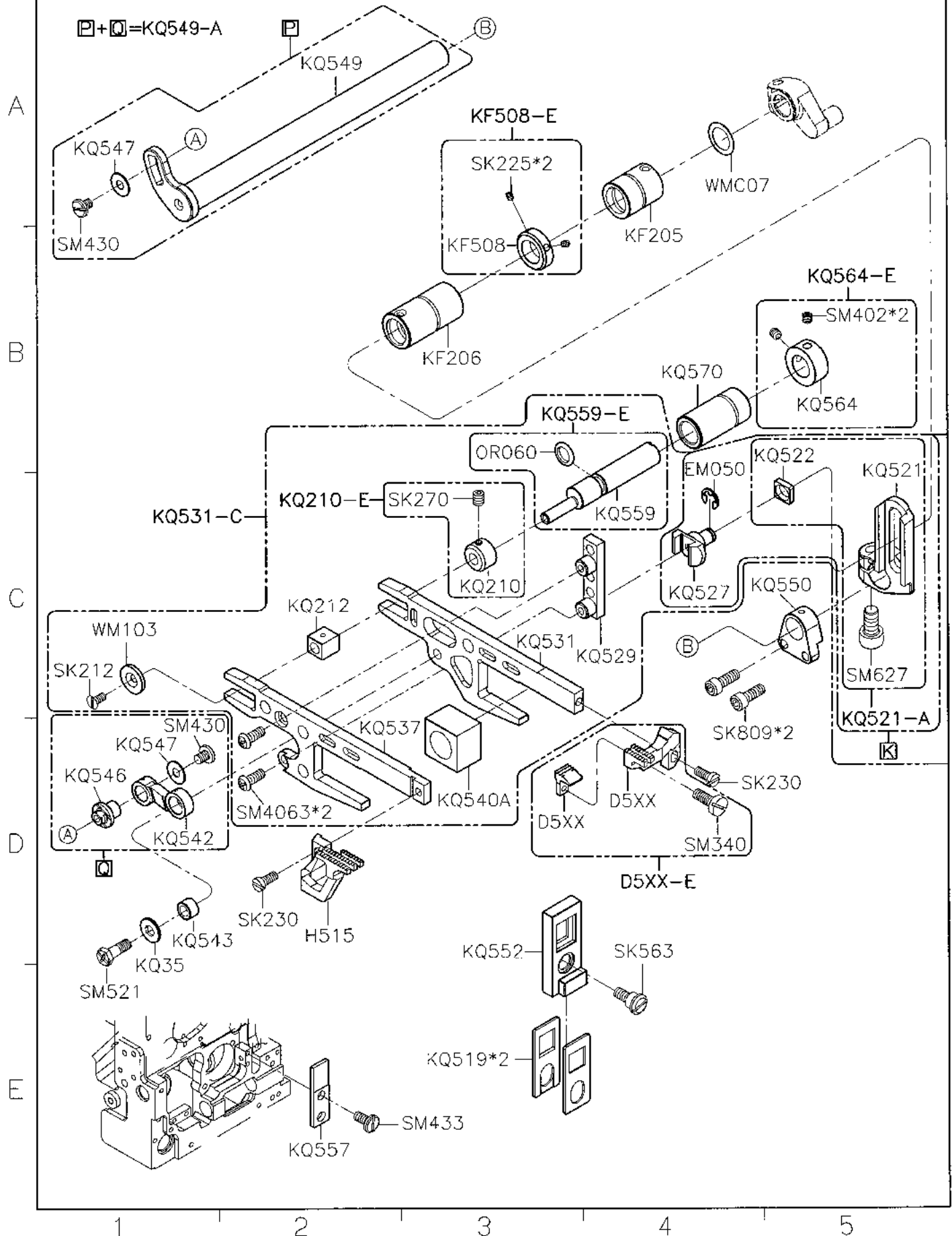
D

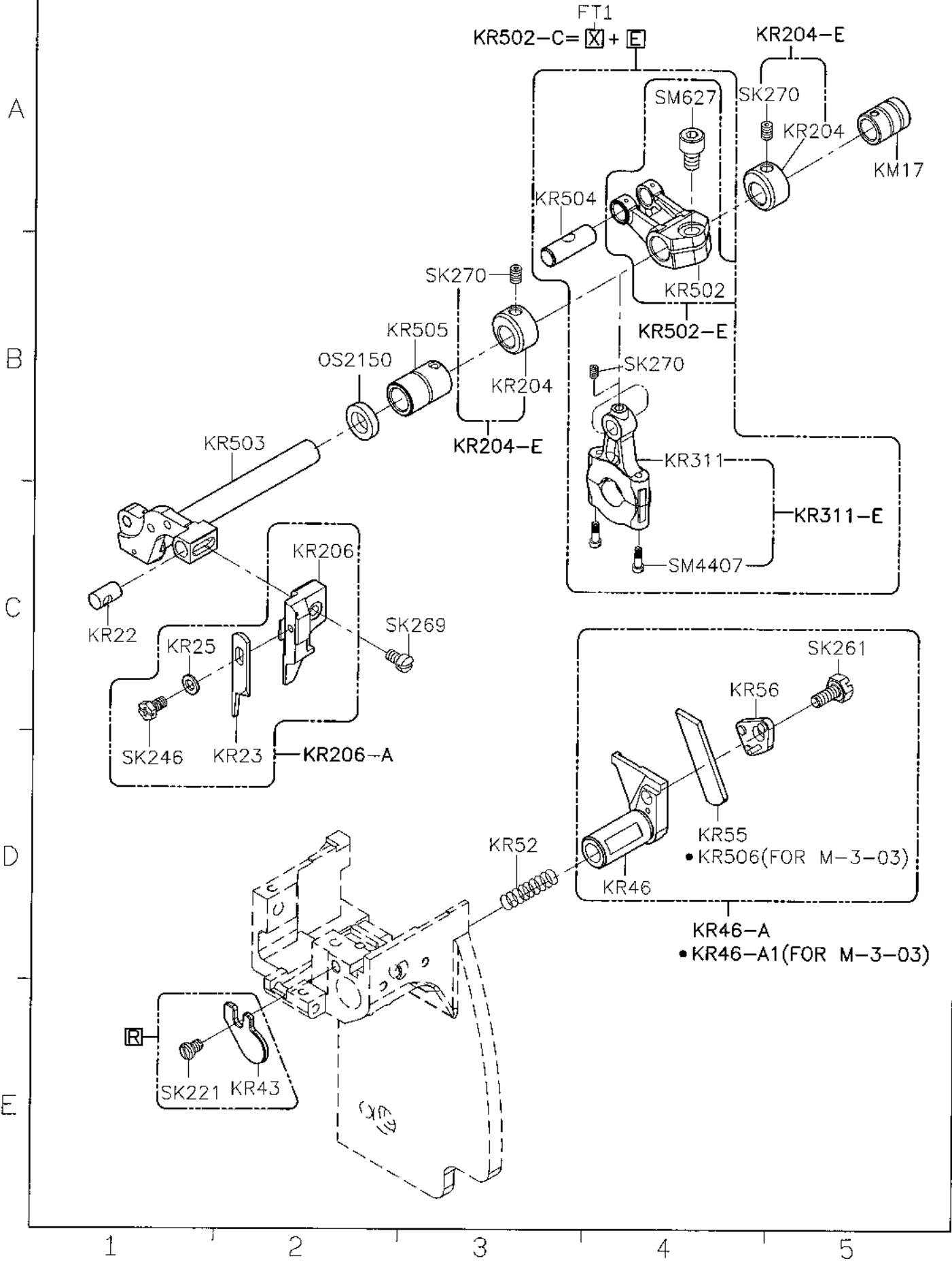
E

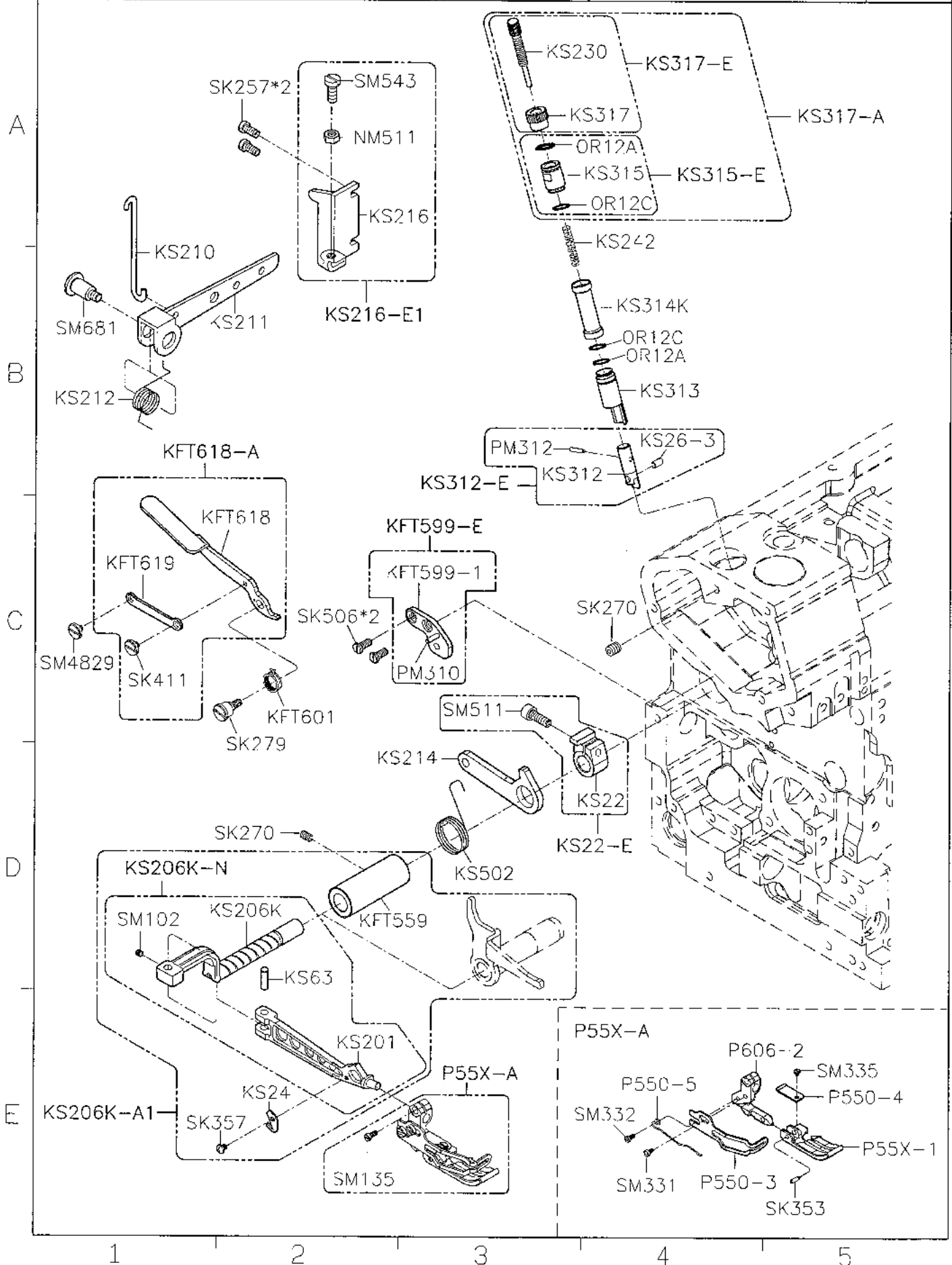


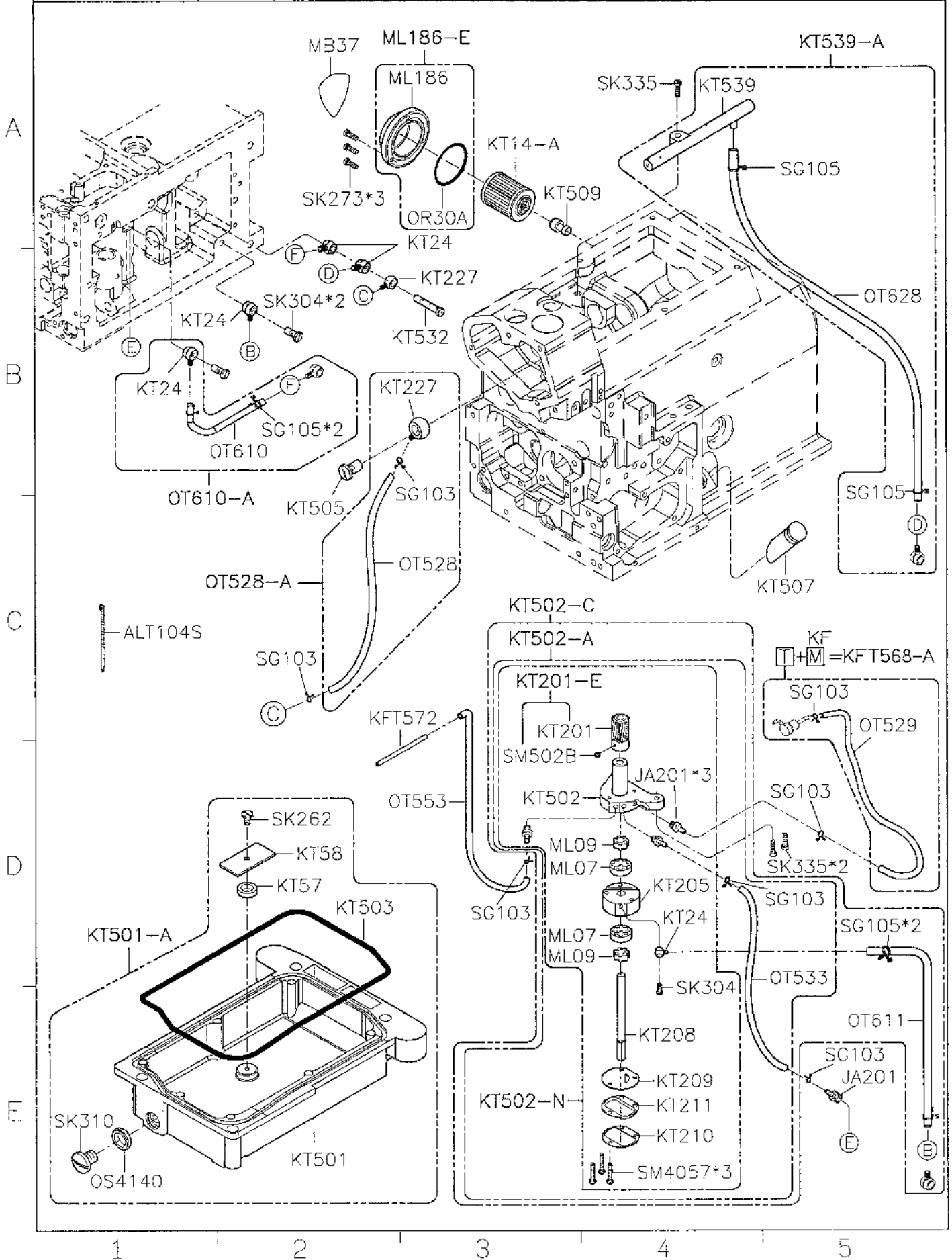


<b>SIRUBA</b> PARTS LIST	Series	Parts Group	Subclass / Remark	Page
	700KST	<b>KQ</b>		1/1
				Date
				2016/08/05

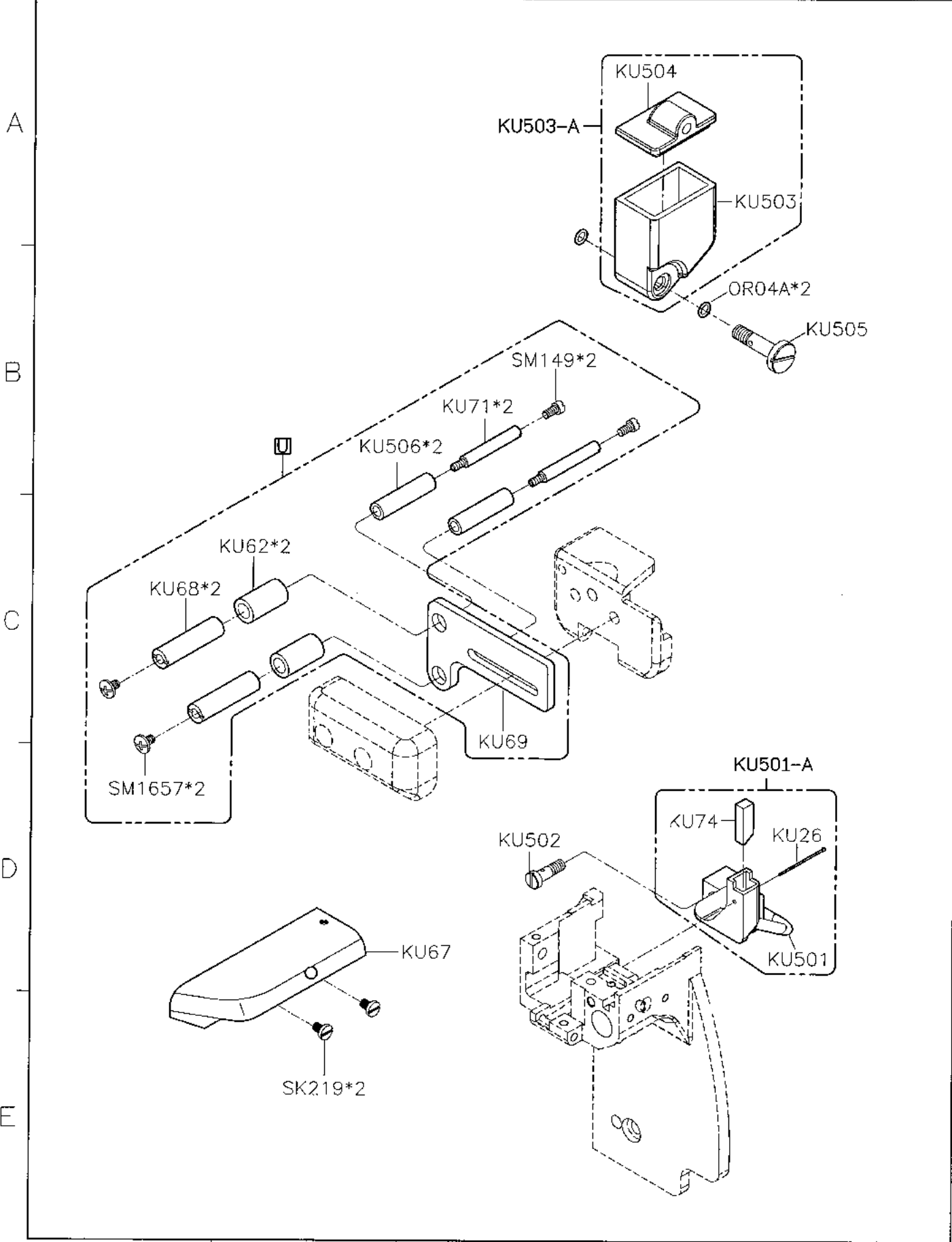








SIRUBA PARTS LIST	Series	Parts Group	Subclass / Remark	Page
	700KS/T	KU		1/1
				Date
				2013/10/09

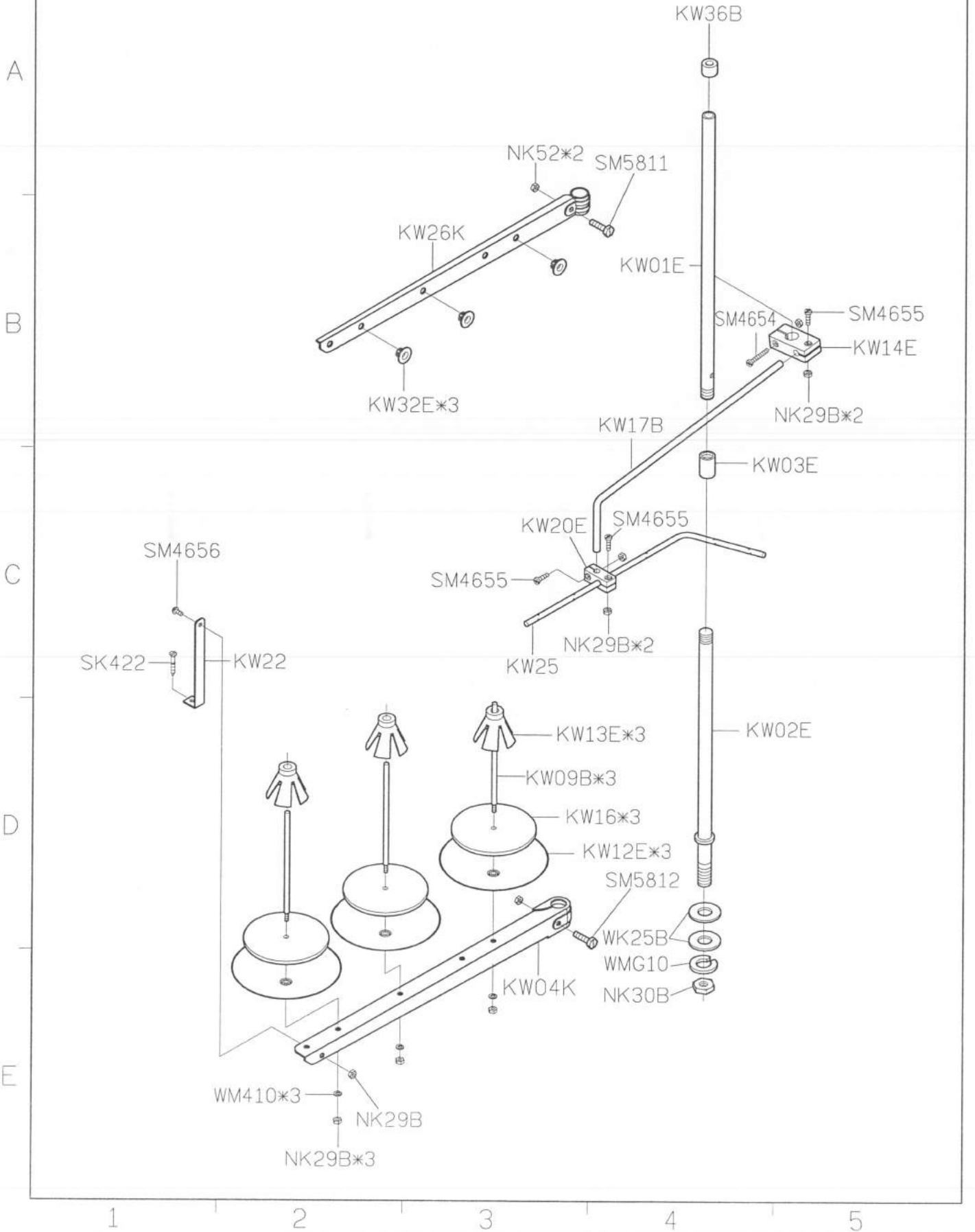


1                      2                      3                      4                      5



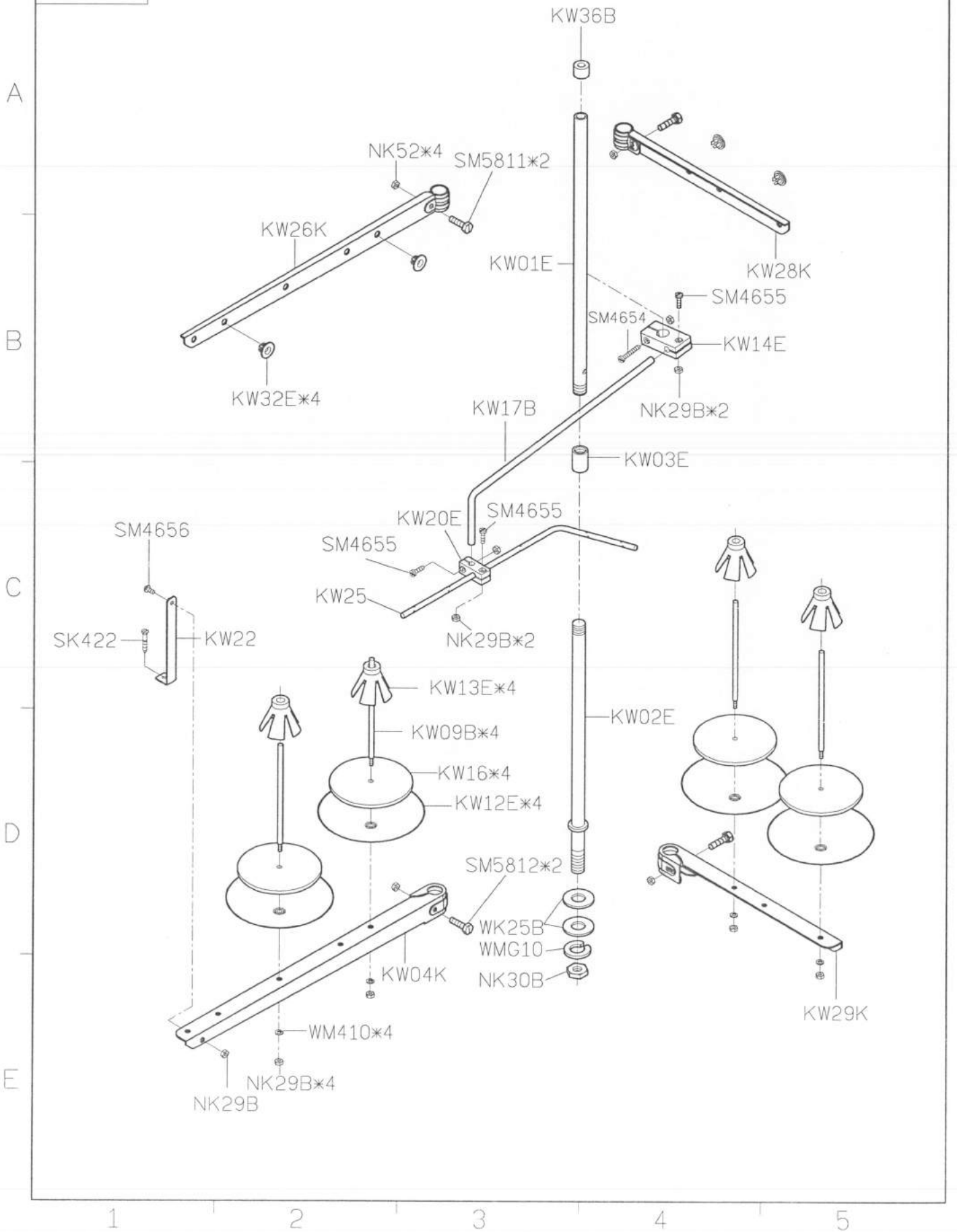
<b>SIRUBA</b> PARTS LIST	Series	Parts Group	Subclass / Remark	Page
	拷克	<b>KW</b>		1/4
	Overlock			Date
	含MO6800系列			2017/2/20

KW40E-3



SIRUBA PARTS LIST	Series	Parts Group	Subclass / Remark	Page
	拷克	KW		2/4
	Overlock			Date
	含MO6800系列			2017/2/20

KW40E-4



SIRUBA PARTS LIST	Series	Parts Group	Subclass / Remark	Page
	拷克	KW		3/4
	Overlock			Date
	含MO6800系列			2017/2/20

KW40E-5

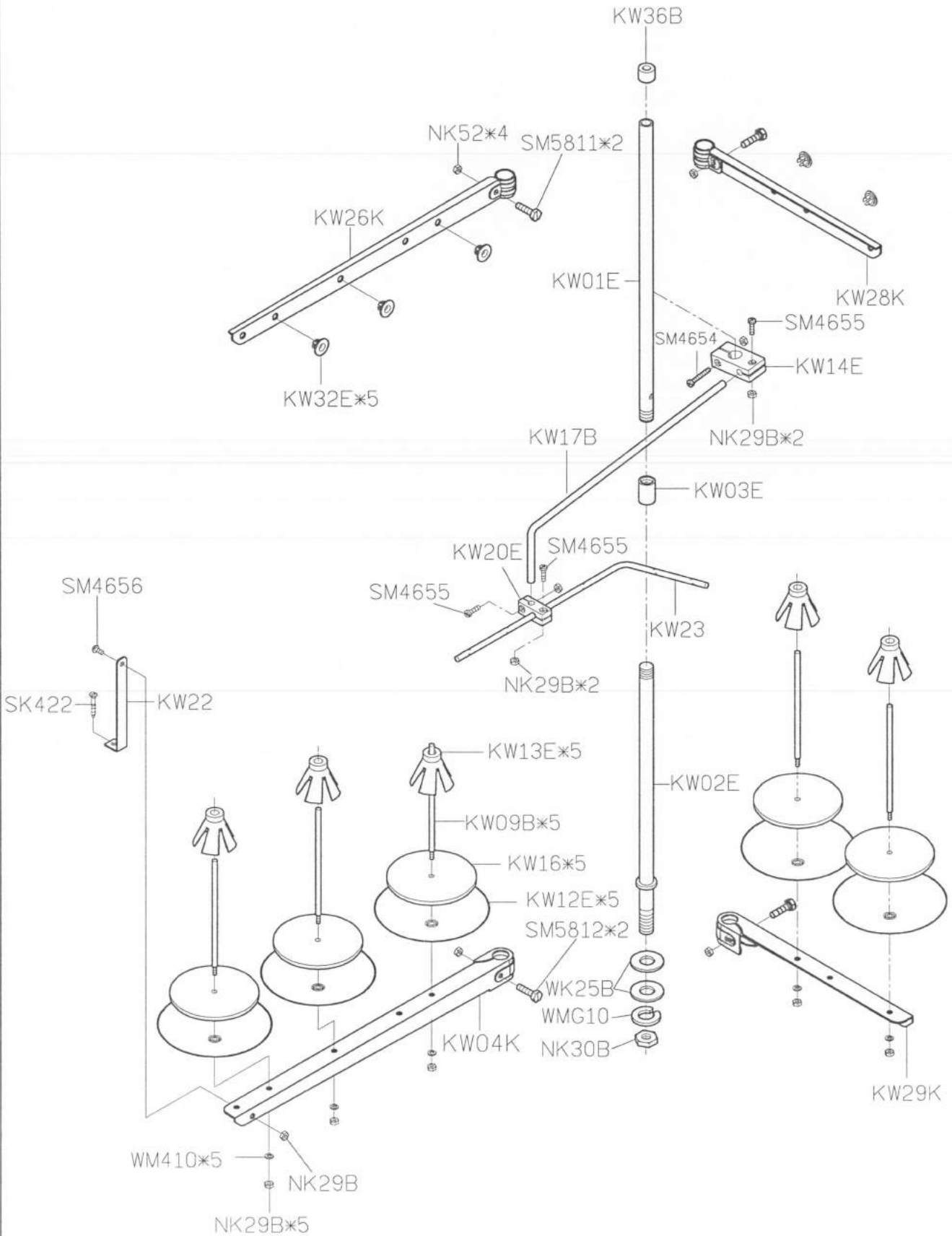
A

B

C

D

E



1

2

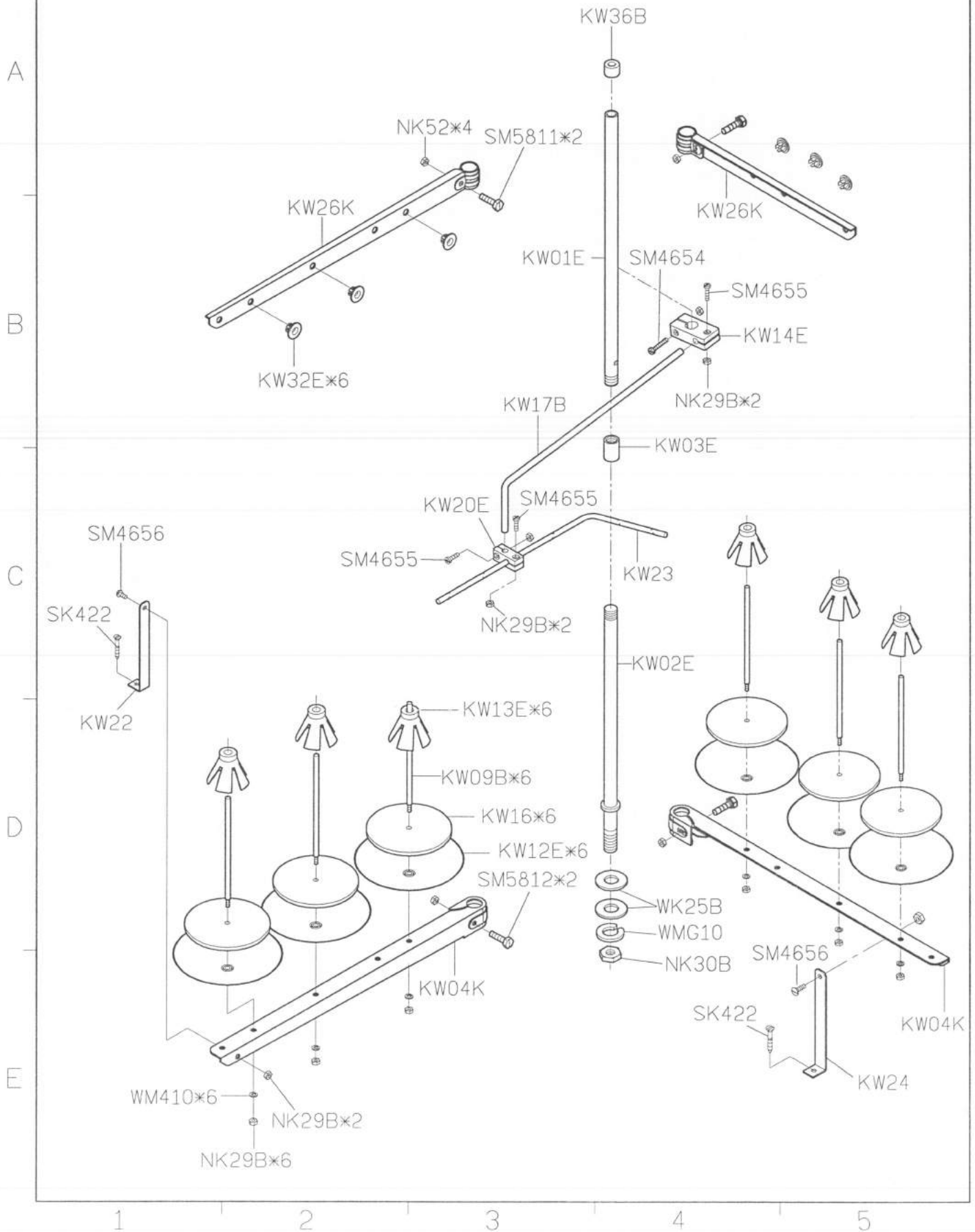
3

4

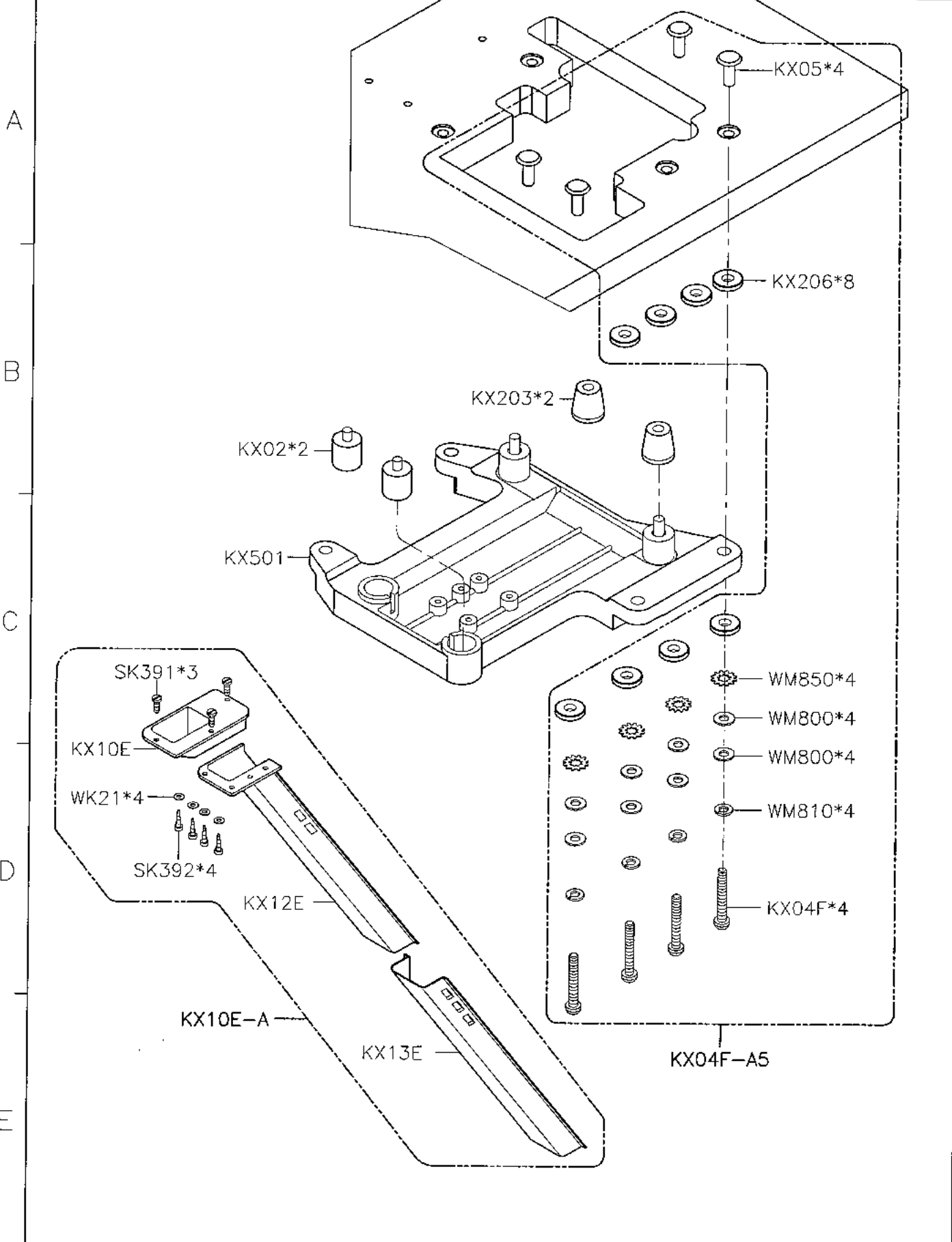
5

<b>SIRUBA</b> PARTS LIST	Series	Parts Group	Subclass / Remark	Page
	拷克	<b>KW</b>		4/4
	Overlock			Date
	含MO6800系列			2017/2/20

KW40E-6

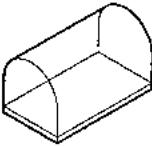






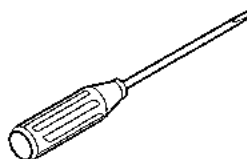


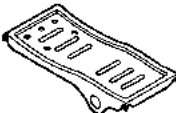



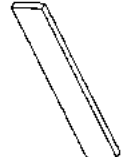



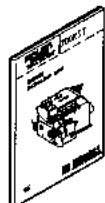




<b>SIRUBA</b> PARTS LIST	Series	Parts Group	Subclass / Remark	Page
	700KS/T	<b>KX</b>		1/1
				Date
				2014/03/05

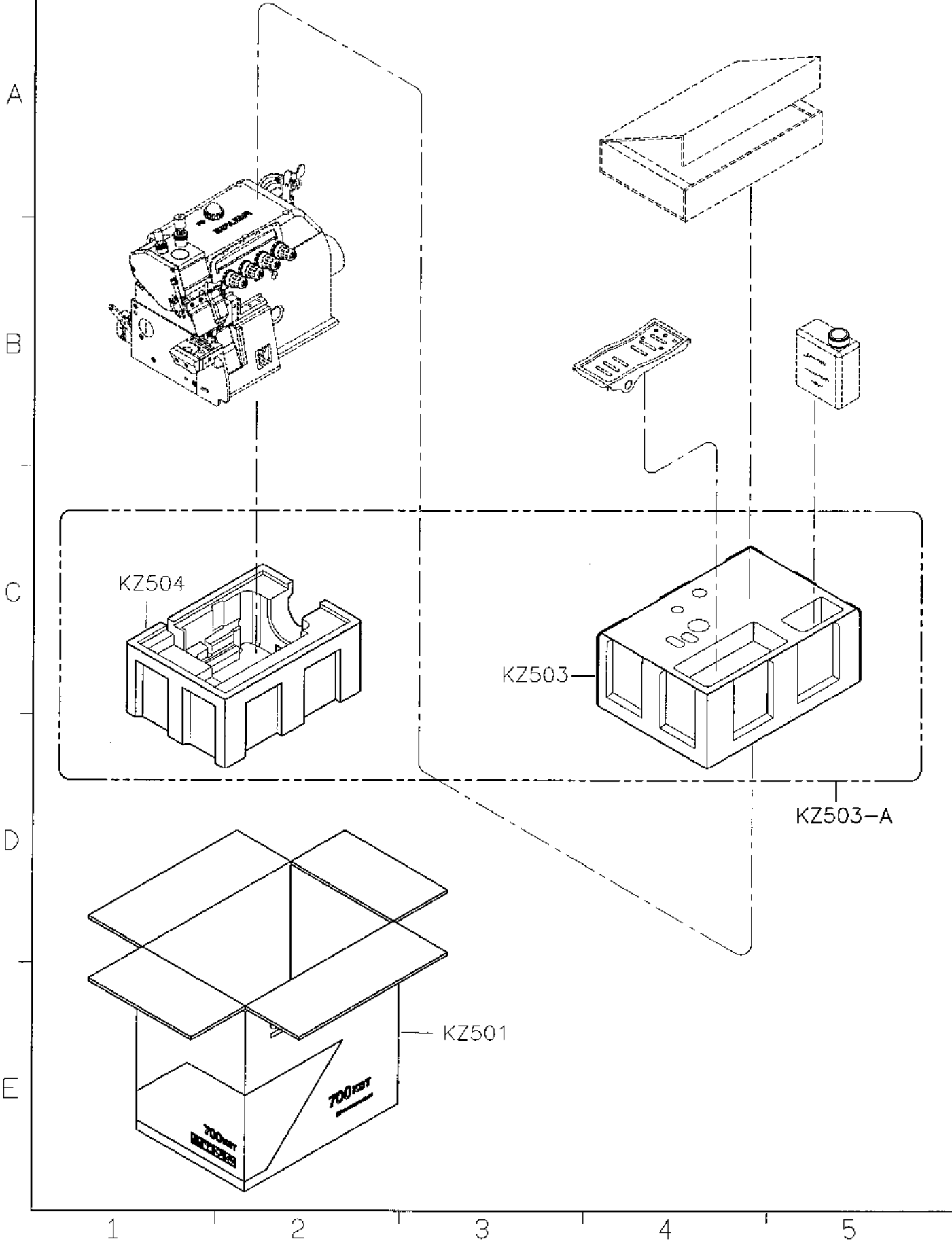


1                      2                      3                      4                      5

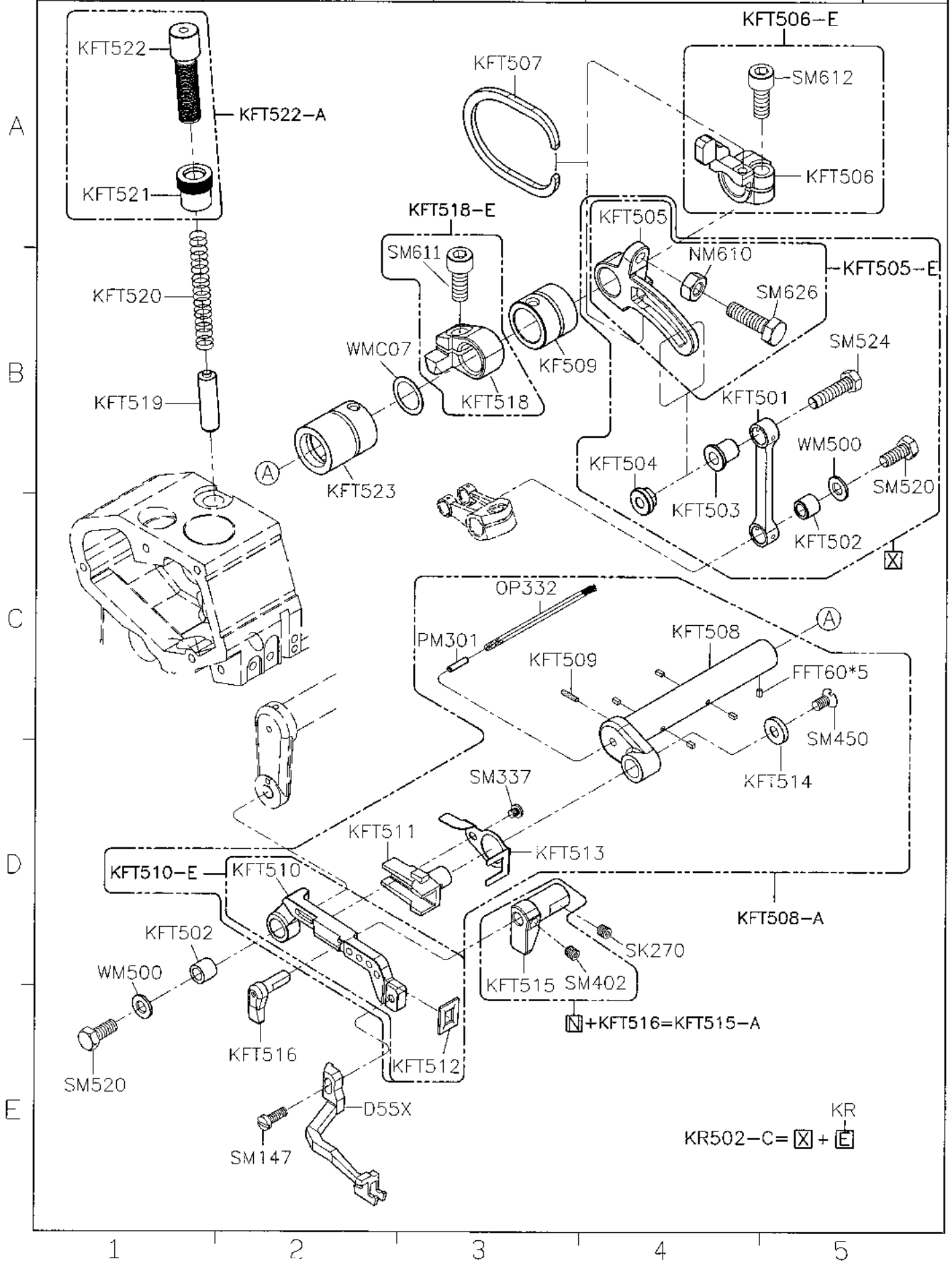
SIRUBA PARTS LIST	Series	Parts Group	Subclass / Remark	Page
	700KS/T	KY		1/1
				Date
				2013/10/09

A	KY01-1 防塵罩 	KY02F-A 油罐 	KY03 油壺 	KY04 漏斗 	KY14 內六角螺絲起子 
B	KY23-A KY23 內六角板手 	KY09 開口板手 	LY33 一字起子 	KY18 鑷子 	SK216 螺絲 
C	KY20D-A 腳踏板 	KY21-A/MY21-A 鉤子/鍊條 	KY201 工具袋 	KY30 針板紙 	KR55 下刀片 
D	KT14-A 濾油器 	KZ03 乾燥劑 	針*5 車針 	KZ508 使用說明書 	LY35 一字起子 
E	KY05-A 油壺 				
	1	2	3	4	5

<b>SIRUBA</b> PARTS LIST	Series	Parts Group	Subclass / Remark	Page
	700KST	KZ		1/1
				Date
				2013/10/09

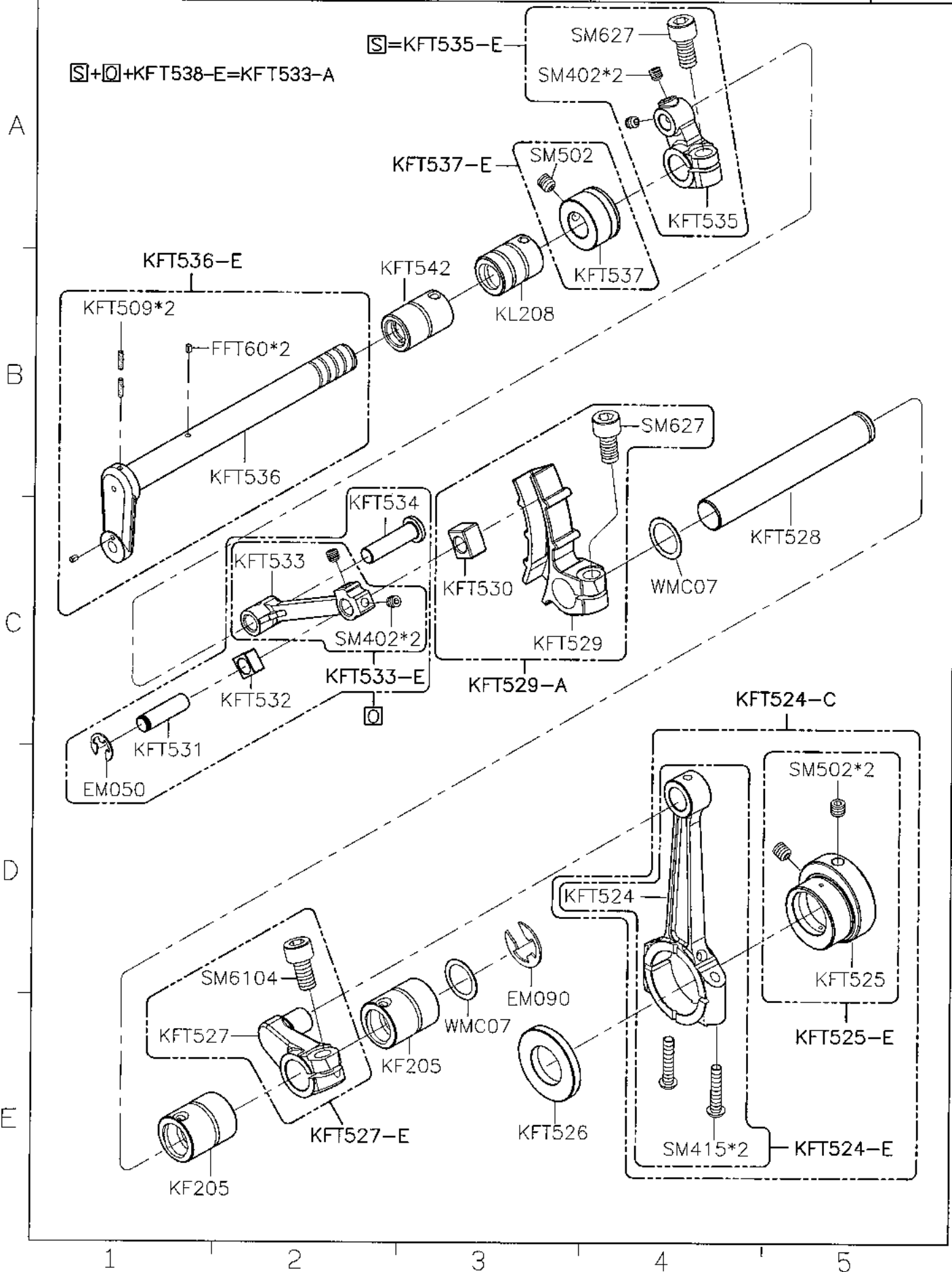


SIRUBA PARTS LIST	Series	Parts Group	Subclass / Remark	Page
	700KST	FT		1/4
				Date
				2015/07/21

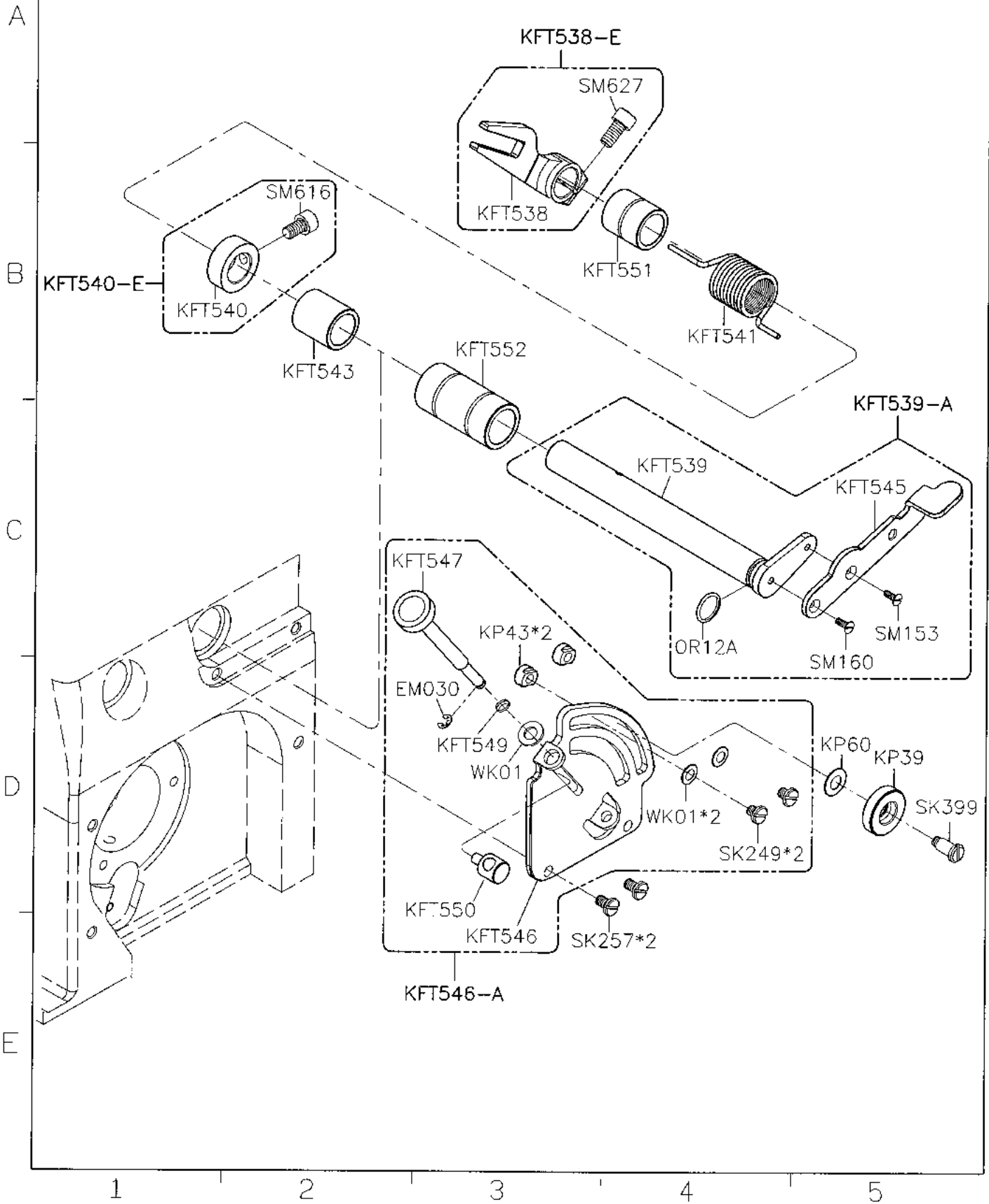




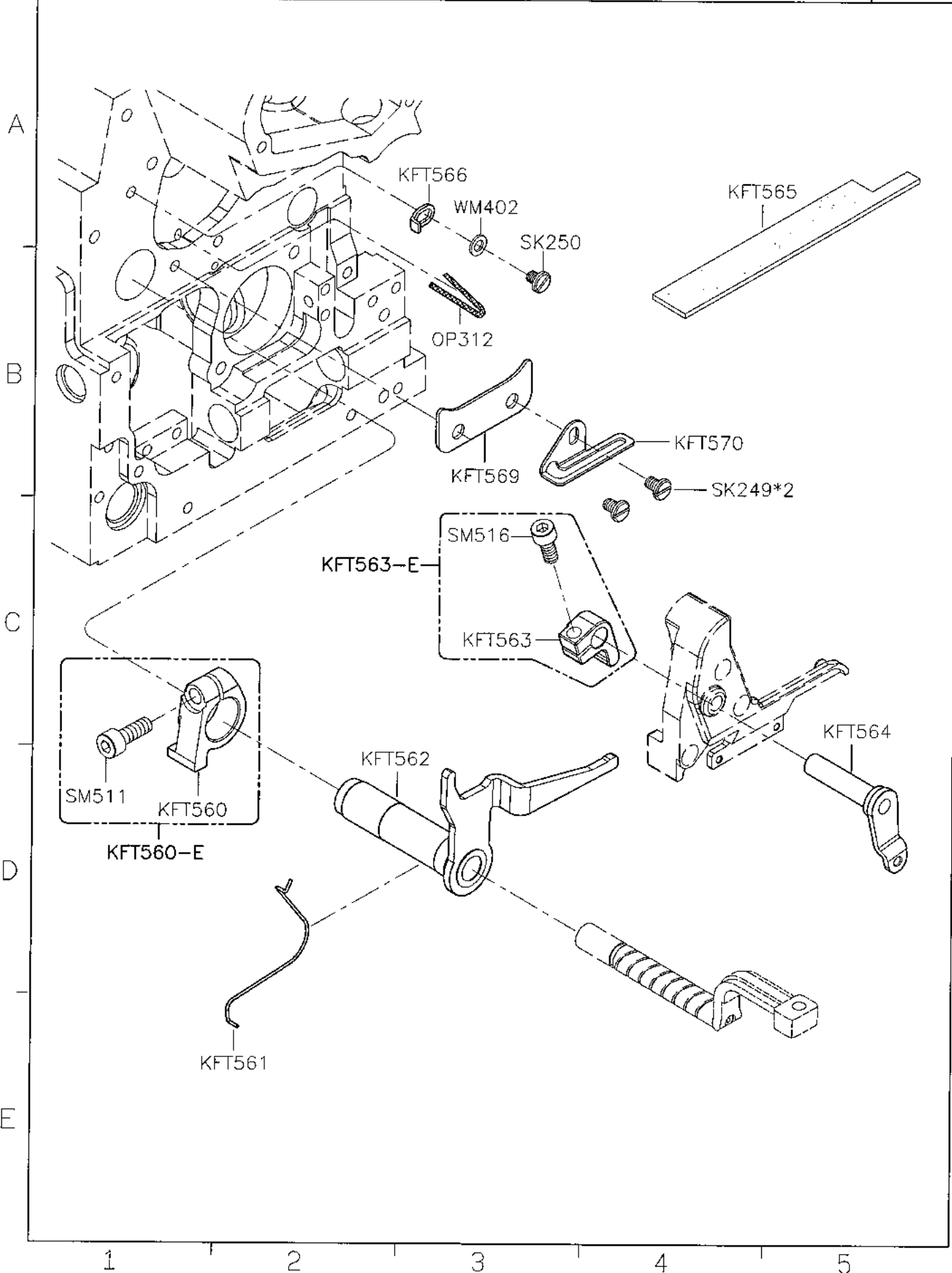
<b>SIRUBA</b> PARTS LIST	Series	Parts Group	Subclass / Remark	Page
	700KST	FT		2/4
				Date
				2014/10/22



<b>SIRUBA</b> PARTS LIST	Series	Parts Group	Subclass / Remark	Page
	700KST	FT		3/4
				Date
				2015/06/23



<b>SIRUBA</b> PARTS LIST	Series	Parts Group	Subclass / Remark	Page
	700KS/T	<b>FT</b>		4/4
				Date
				2014/05/30



**SIRUBA**

TABLE  
CUT - OUT

Series

700KS/T

Item Code

700KS-T

Subclass Remark

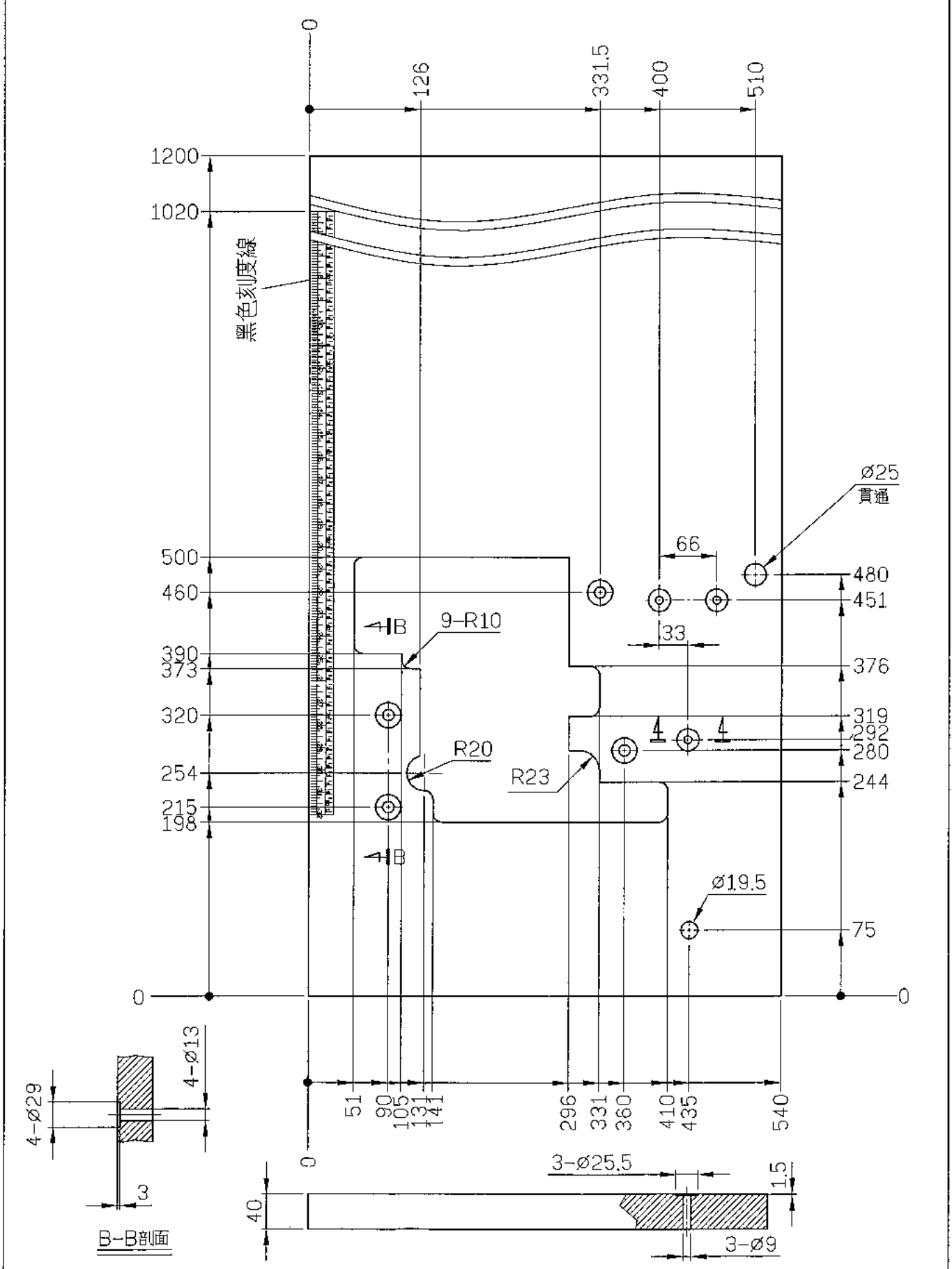
UNIT: mm  
TOLERANCE:  $\pm 2$   
WEIGHT: 11.6 kg  $\pm 5\%$

Mounting

Semi-submerged

Date

2014/06/18



**SIRUBA**TABLE  
CUT - OUT

Series

700KS/T

Item Code

700KS-T1

Subclass Remark

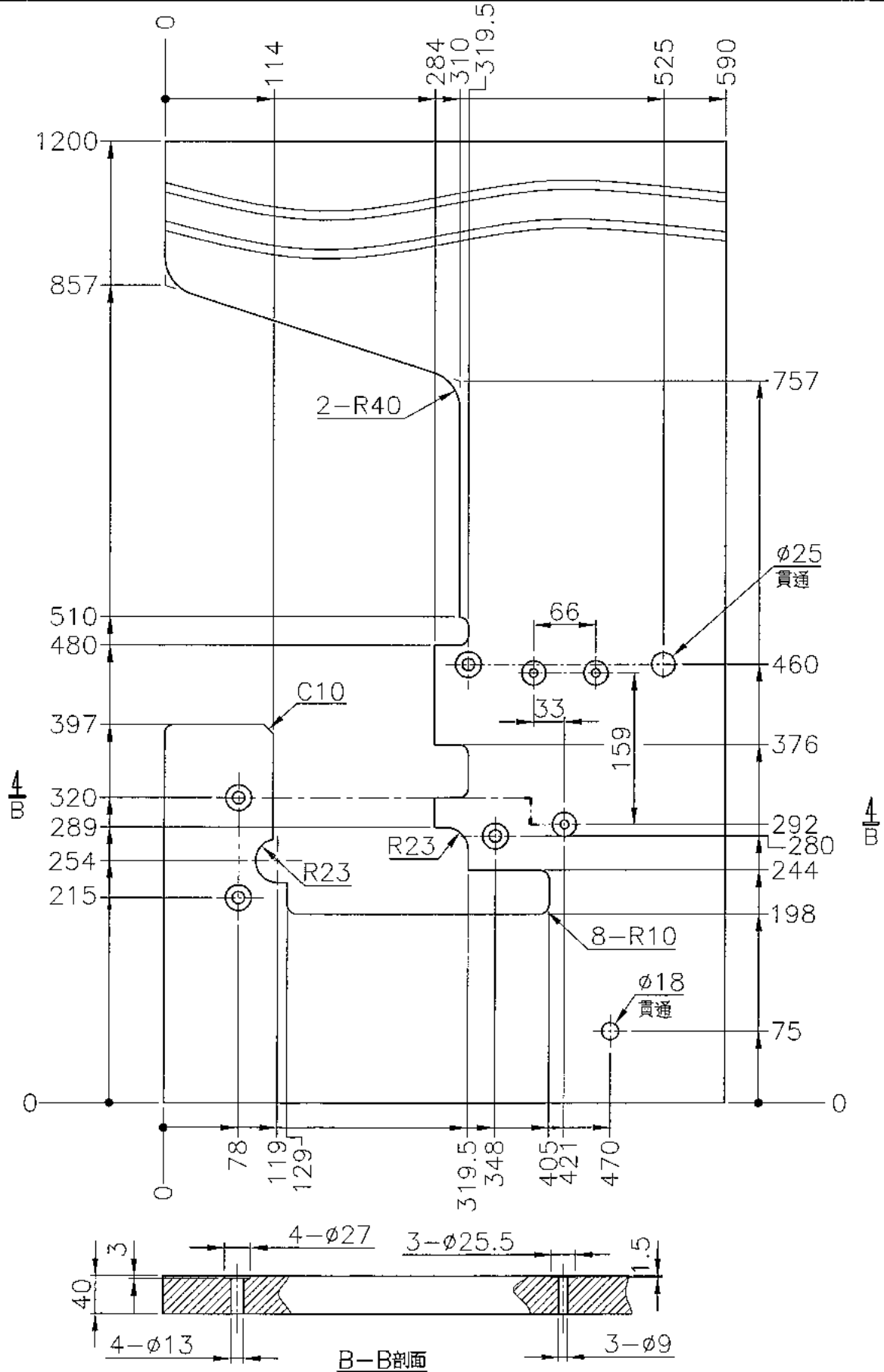
UNIT: mm  
TOLERANCE:  $\pm 2$   
WEIGHT: 11.6 kg  $\pm 5\%$ 

Mounting

Semi-submerged

Date

2013/09/30



**SIRUBA**TABLE  
CUT - OUT

Series

700KS/T

Item Code

700KS-T2

Subclass Remark

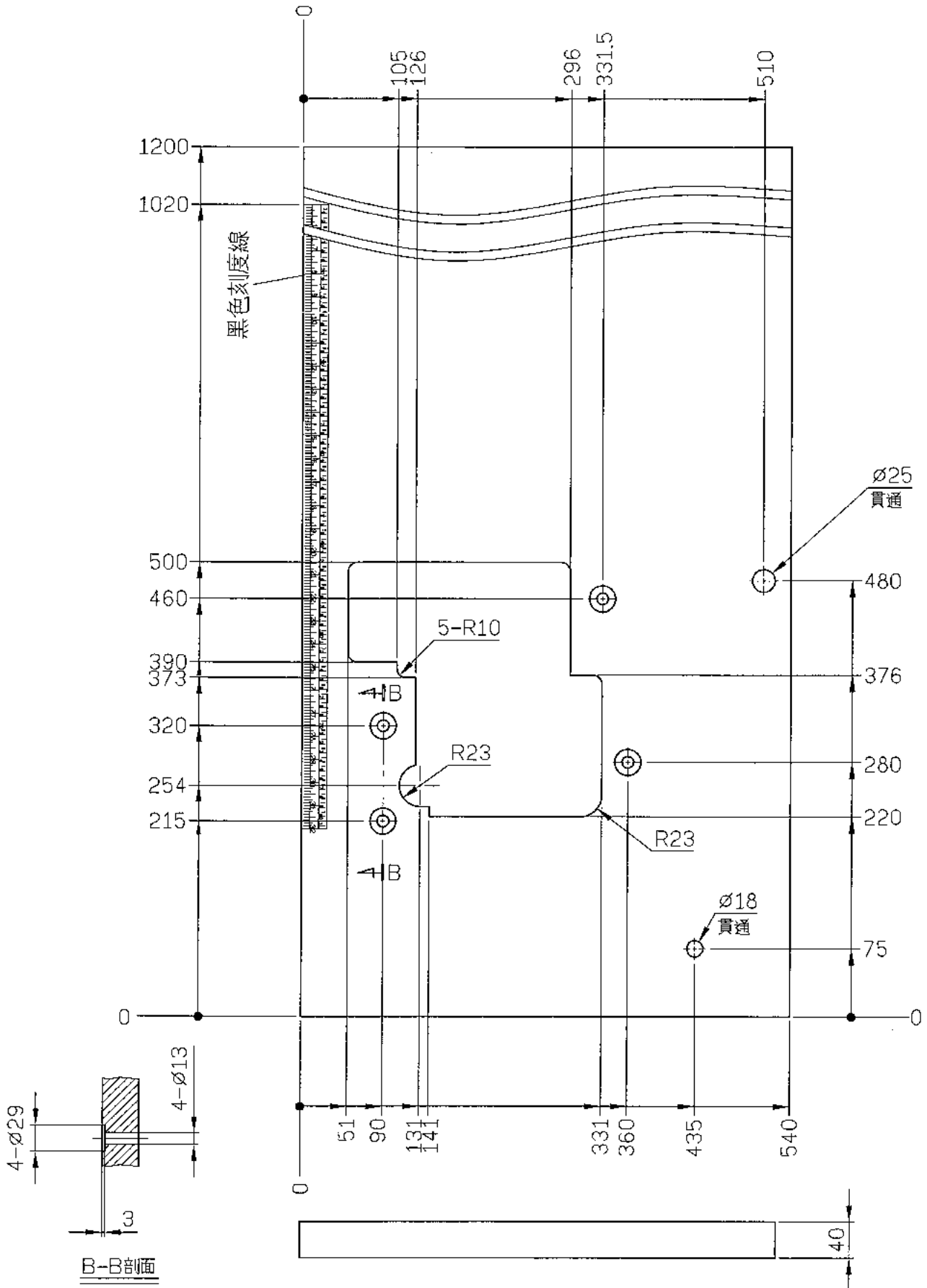
UNIT: mm  
TOLERANCE:  $\pm 2$   
WEIGHT: 11.6 kg  $\pm 5\%$ 

Mounting

Semi-submerged  
installation

Date

2014/06/18



**SIRUBA**TABLE  
CUT - OUT

Series

700KS/T

Item Code

700KS-T3

Subclass Remark

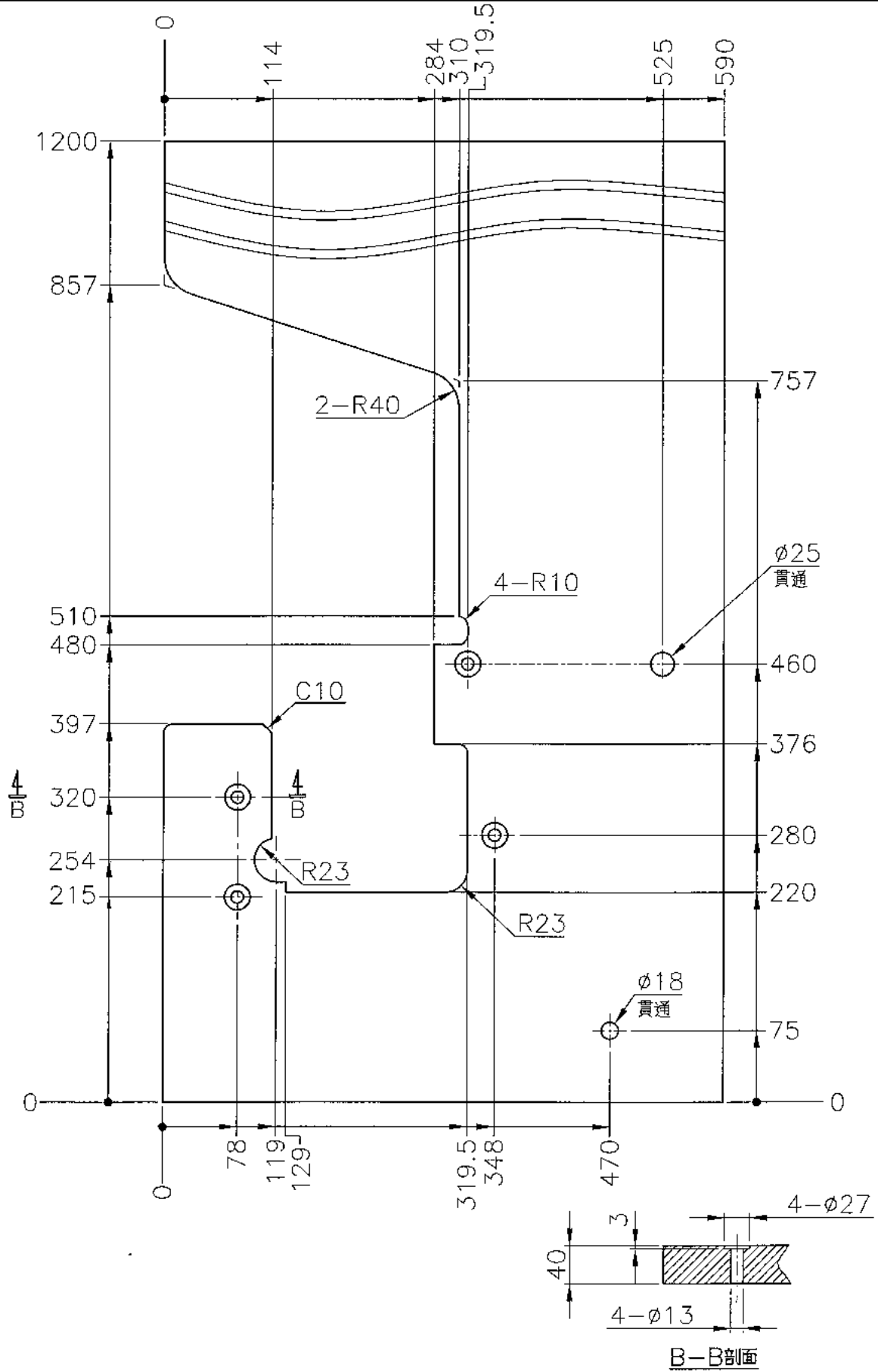
UNIT: mm  
TOLERANCE:  $\pm 2$   
WEIGHT: 11.6 kg  $\pm 5\%$ 

Mounting

Semi-submerged  
installation

Date

2014/06/05



**SIRUBA**

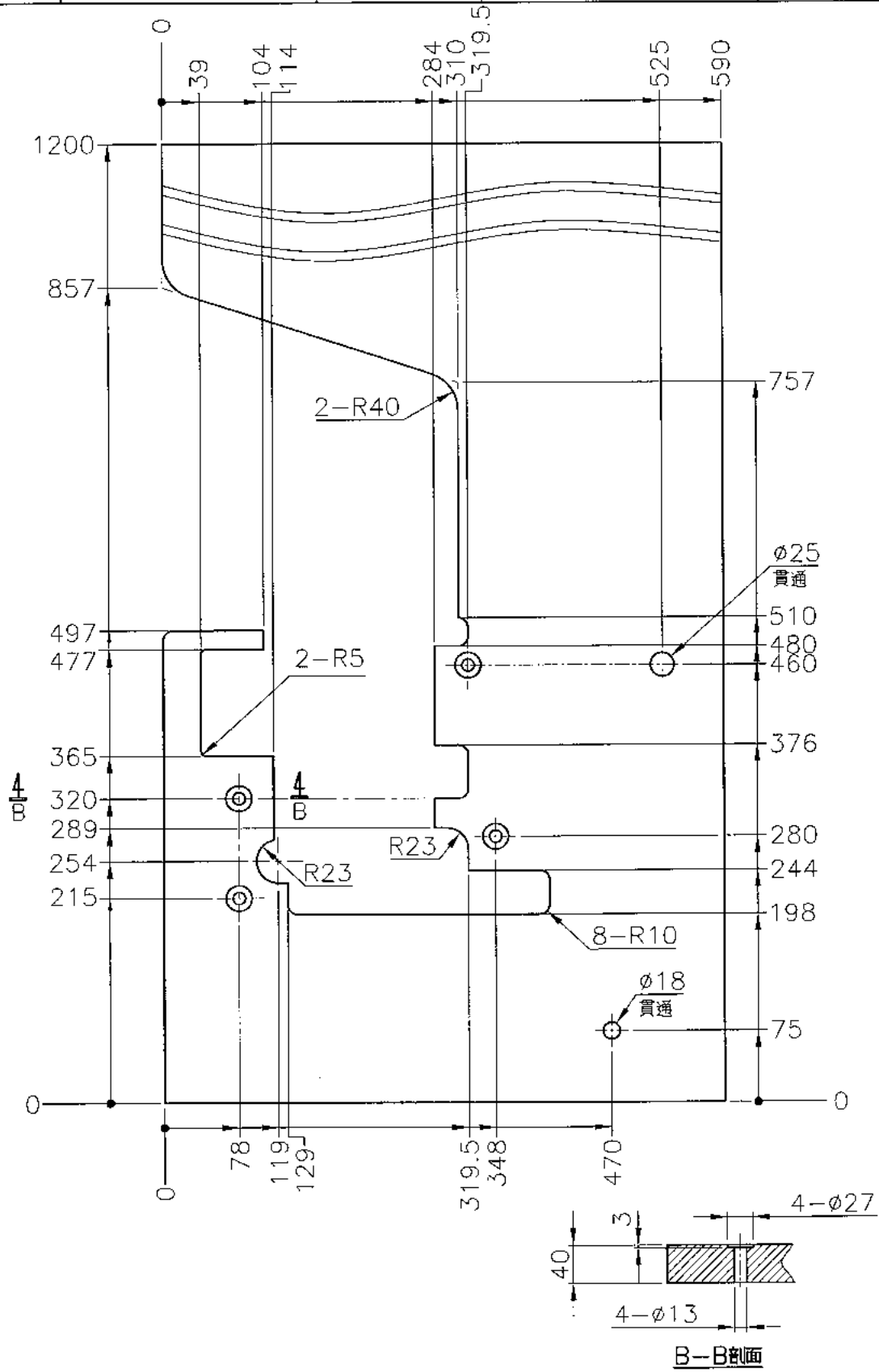
TABLE  
CUT - OUT

Series  
**700KS/T**

Item Code  
**700KS-T4**

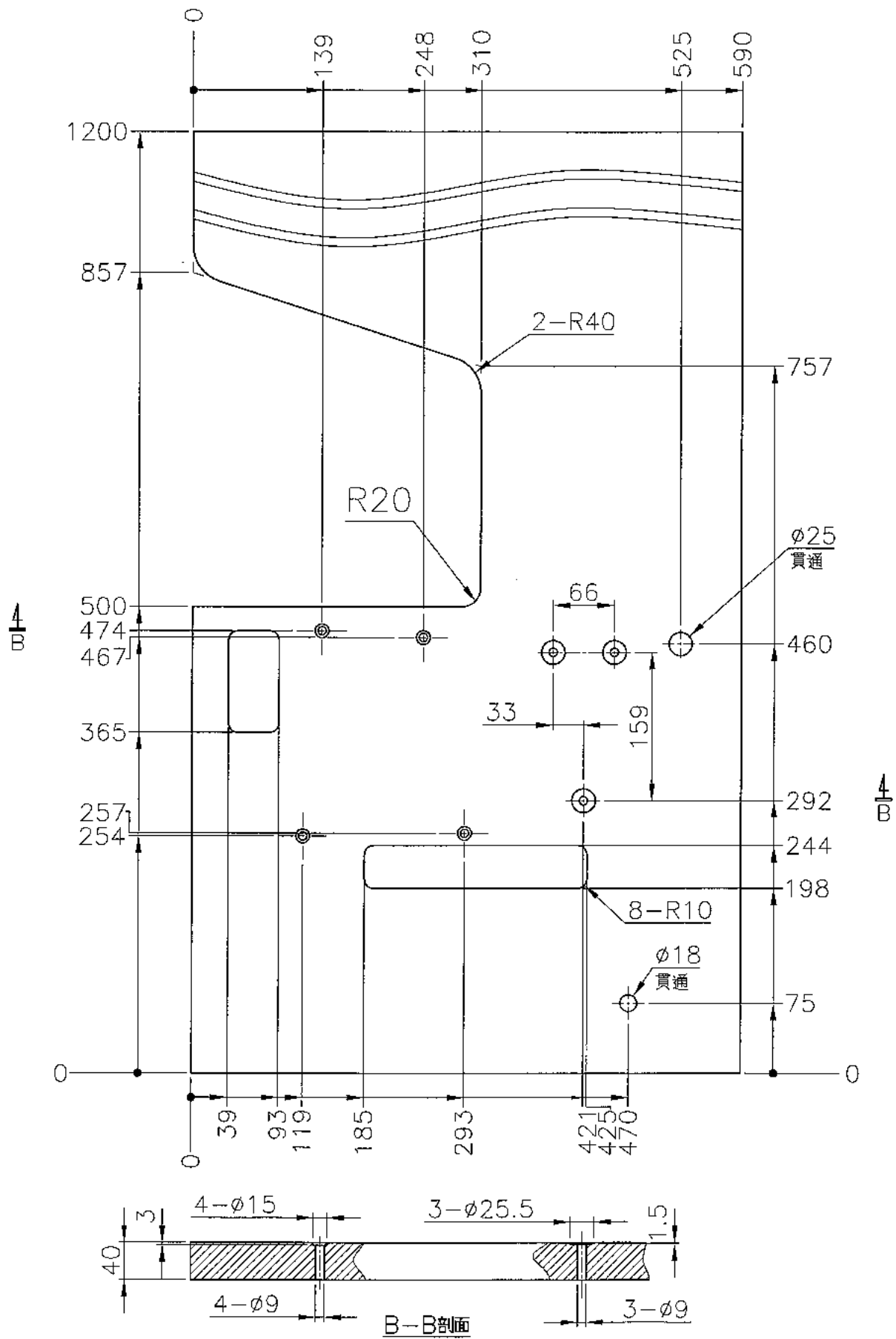
Subclass Remark  
UNIT: mm  
TOLERANCE:  $\pm 2$   
WEIGHT: 11.6 kg  $\pm 5\%$

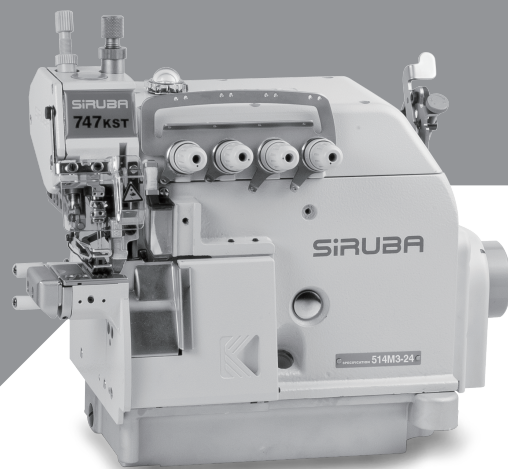
Mounting  
Semi-submerged  
installation  
Date  
2016/08/08





<b>SIRUBA</b> TABLE CUT - OUT	Series	Item Code	Subclass Remark	Mounting
	700KS/T	700KS-T5	UNIT: mm TOLERANCE: ±2 WEIGHT: 11.6 kg ±5% For:LFD M/C 需配SM899-A	Non-submerged
				Date
				2014/10/17





 高林股份有限公司  
KAULIN MFG. CO., LTD.

由於對產品的改良及更新，本產品使用說明書中與零件圖之產品及外觀的修改恕不事先通知！  
The specification and/or appearances of the equipment described in this instruction book & parts list are subject to change because of modification which will without previous notice.  
700KST.MAY.2015