






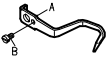
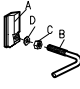
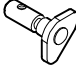

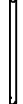

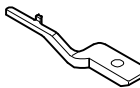
| | | | | |
|---|-------------|--------------------------|------|------------|
| SIRUBA GAGE PARTS LIST | Series | Remark | Page | Date |
| | L917 | L917-L1/M1/H1/HM1 | 1/1 | 2012/11/01 |

L917-L1/M1/H1規格件表 / CONVERSION CHART


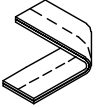




|  |  |  |  |  |  |  |  |  |
|---|---|---|---|---|---|---|---|---|
| MODEL | SUB-CLASS | NEEDLE PLATE | FEED DOG | PRESSER FOOT | HOOK ASM | BOBBIN CASE ASM | BOBBIN | NEEDLE |
| 機 型 | 規 格 | 針 板 | 送 具 | 押 具 | 梭 頭 | 梭 殼 | 梭 子 | 針 號 |
| L917-L1 | 薄布料 | E701 | D701 | P721 | G111C | G201C | G303 | DAX1#9 |
| L917-M1 | 薄中布 | E701 | D701 | P701 | G111C | | G301 | DBX1#14 |
| L917-HM1 | | 至 | E704D | | | | | |
| L917-M1A | | | | 中厚布 | | | | |
| L917-M1C | | | | | | | | |
| L917-HM1A | | 中厚布 | E711 | D711 | P711 | | | |
| L917-H1 | 至 | | E711D | D711D | P711D | | | |
| L917-H1A | | | | | | | 厚布料 | |
| L917-H1C | | | | | | | | |

| | | | | | | | | | | | | |
|-------------------------------------|------------------------|--|--|--|------------------|--|--|--|--|--|------------|-------------------|
| SIRUBA MODEL COMPARE LIST | Series | | | | Remark | | | | | | Page | Date |
| | L918/L917/L818D | | | | -L1/M1/H1 | | | | | | 1/2 | 2013/06/10 |

L918/L917/L818D型別件表

|  |  |  |  |  |  |  |  |  |  |  |  | |
|---|---|---|---|---|---|---|---|---|---|---|---|--------|
| MODEL | SUB-CLASS | SPRING | SPRING | SPRING | THREAD GUIDE | THREAD GUIDE BAR | EJECTOR PIN | ADJUSTING KNOB | NEEDLE BAR | FIXED PIN | HOOK FIXER | |
| 機 型 | 規 格 | 控線彈簧 | 挑線彈簧 | 壓 簧 | 導線片 | 導線杆 | 頂出銷 | 調整旋扭 | 針 棒 | 固定銷 | 旋梭定位板 | |
| L1 | 薄布料 | LA231 | LA227 | LB204 | A | LB06H | — | LB212 | LC23G | LG04 | LC13 | LE14D |
| | | | | | B | SK241 | | | | | | |
| M1 | 薄布料 ~ 中厚布 | LA31 | LA27 | LB04 | A | LB06H | — | LB12 | LC623G | LG04 | LC13 | LE14D |
| | | | | | B | SK241 | | | | | | |
| H1 | 中厚布 ~ 厚布料 | LA131 | LA27 | LB104 | — | A | LB100 | LB12 | LC600G | LG104 | LC613 | LE614D |
| | | | | | | B | LB106 | | | | | |
| | | | | | | C | NK23 | | | | | |
| | | | | | | D | WK09 | | | | | |

L918/L917/L818D型別件表

|  |  |  |  |  |  | | |
|---|---|---|---|---|---|--|--|
| MODEL | SUB-CLASS | THRAD TAKE UP LEVER | CRANK SHAFT | BUSING | THREAD GUIDE | | |
| 機 型 | 規 格 | 天 秤 | 曲 軸 | 襯 套 | 導 線 環 片 | | |
| L1 | 薄布料 | LG13 | LG215 | LG07 | LG09 | | |
| M1 | 薄布料 ~ 中厚布 | | LG15 | | | | |
| H1 | 中厚布 ~ 厚布料 | LG113 | LG615 | LG107 | LG109 | | |

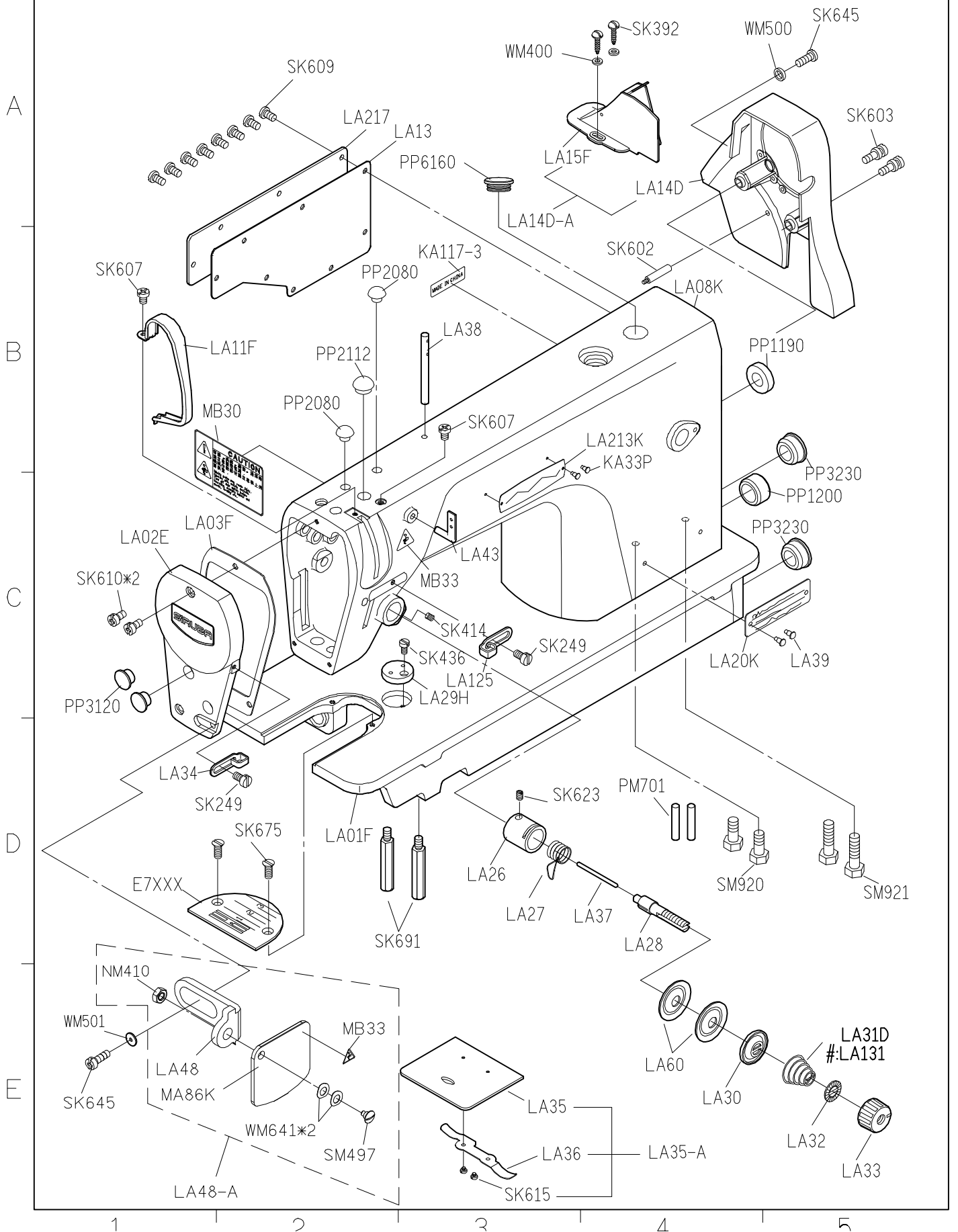
SIRUBA
PARTS LIST

Series
L917-M1/H1

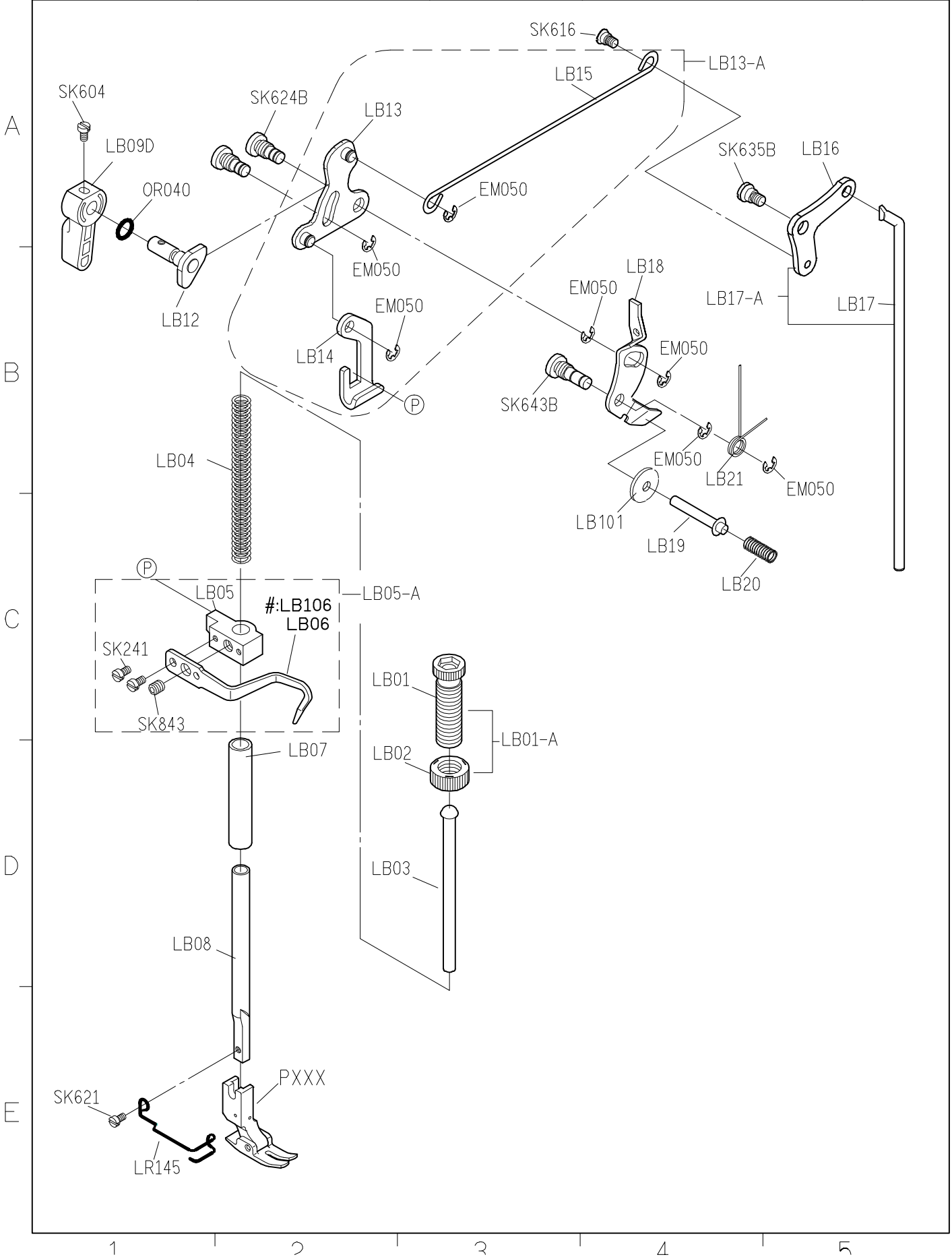
Parts Group
LA

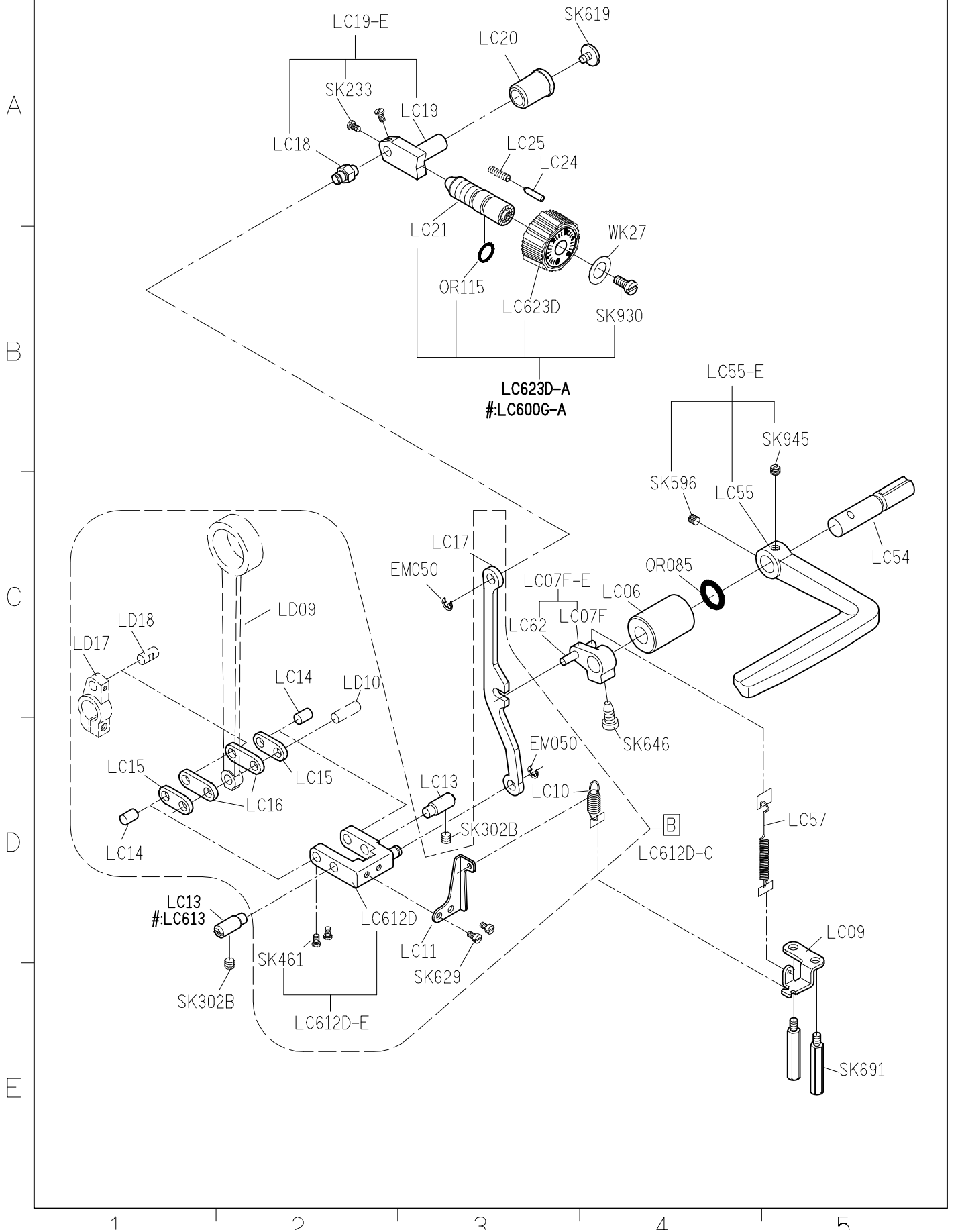
Subclass / Remark
#:Use for H1

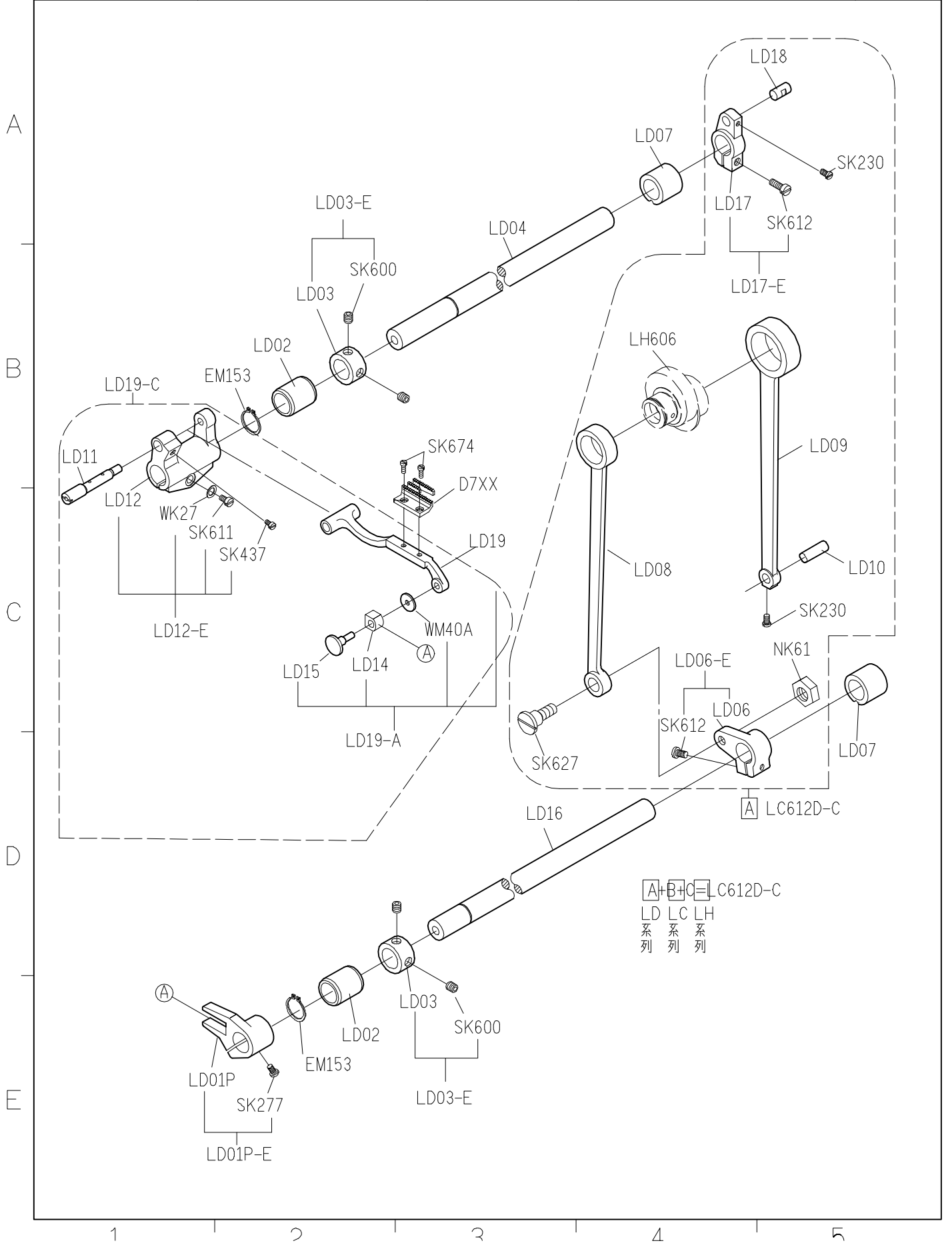
Page
1/1
Date
2013/07/27



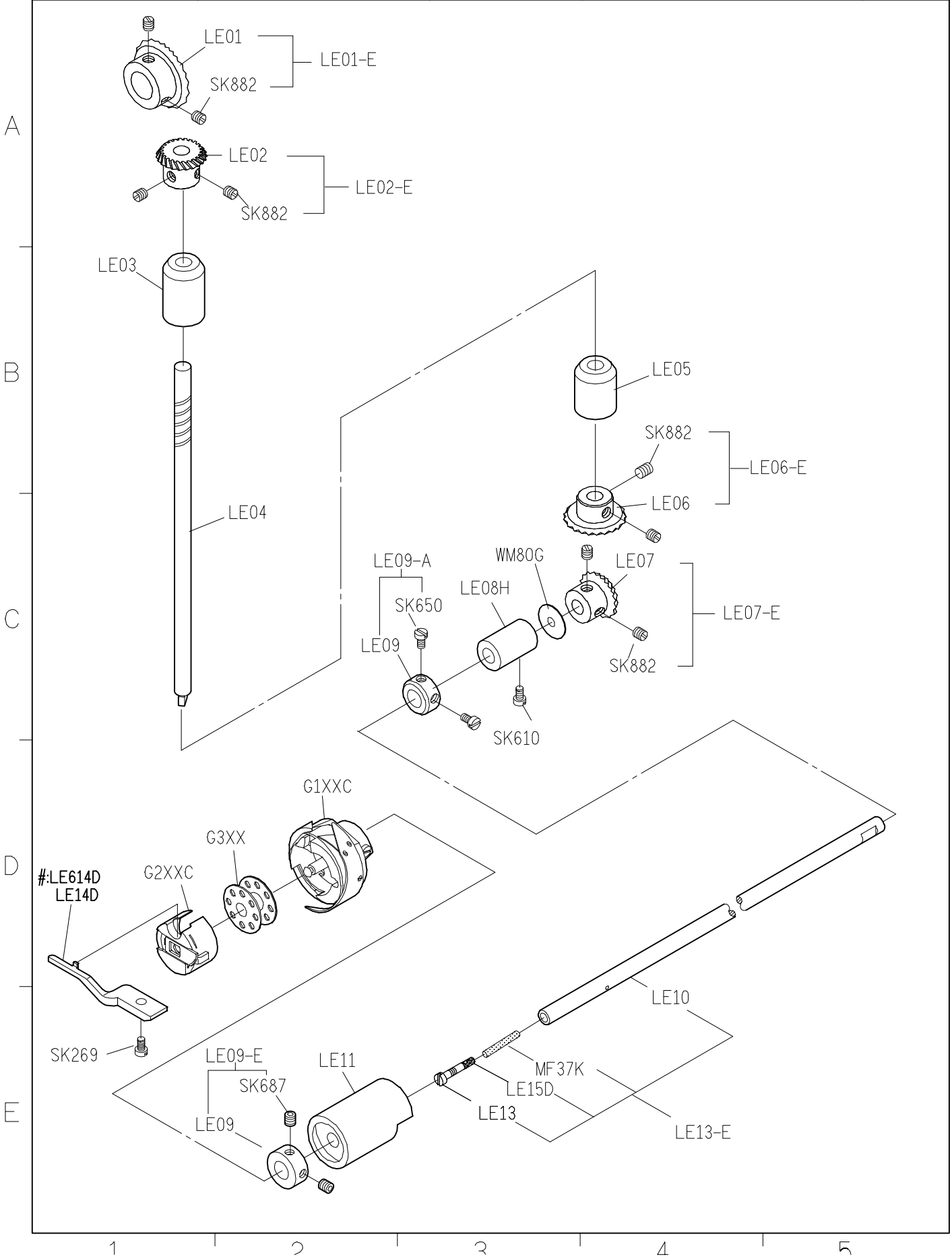
| SIRUBA PARTS LIST | Series | Parts Group | Subclass / Remark | Page |
|----------------------|------------|-------------|-------------------|------------|
| | L917-M1/H1 | LB | #:Use for H1 | 1/1 |
| | | | | Date |
| | | | | 2012/11/30 |



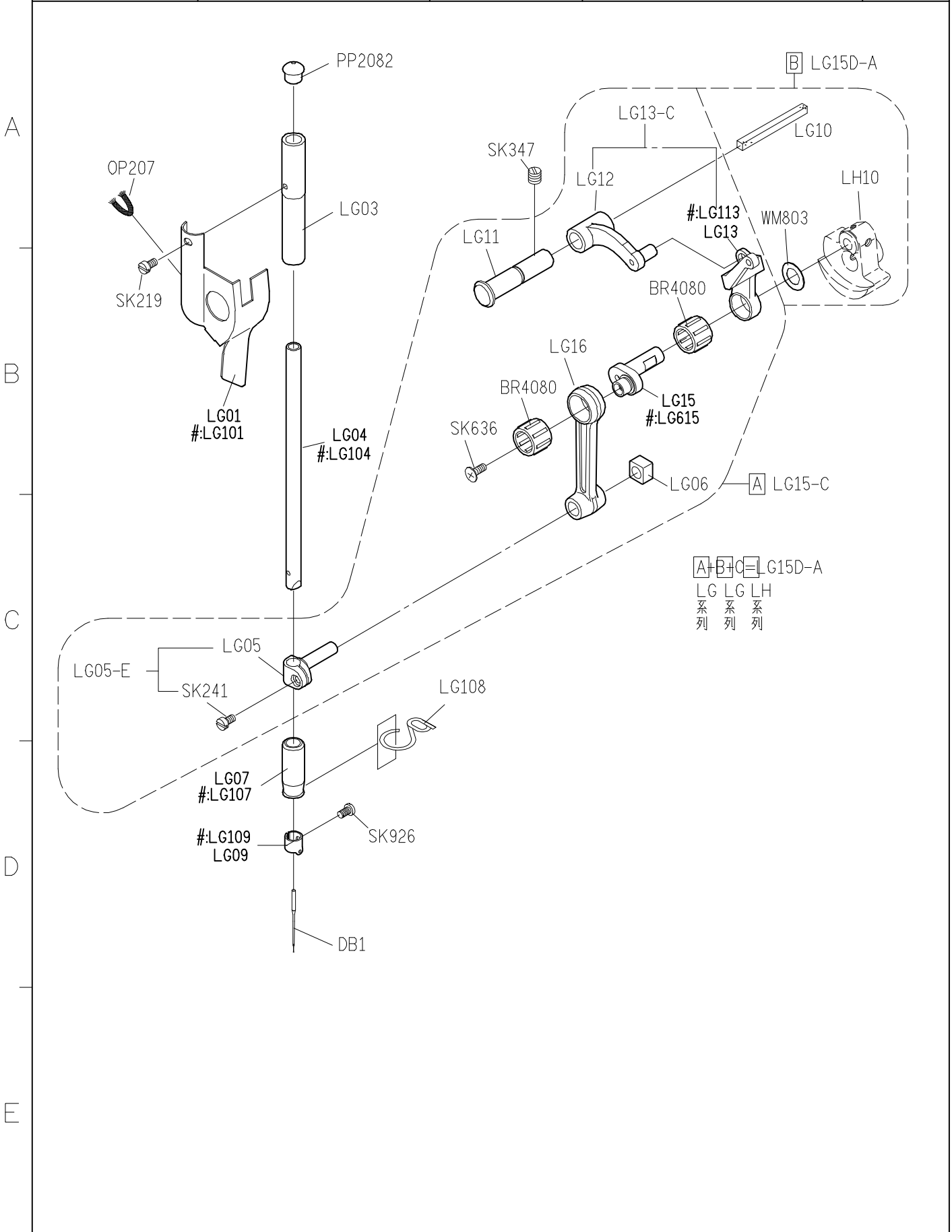




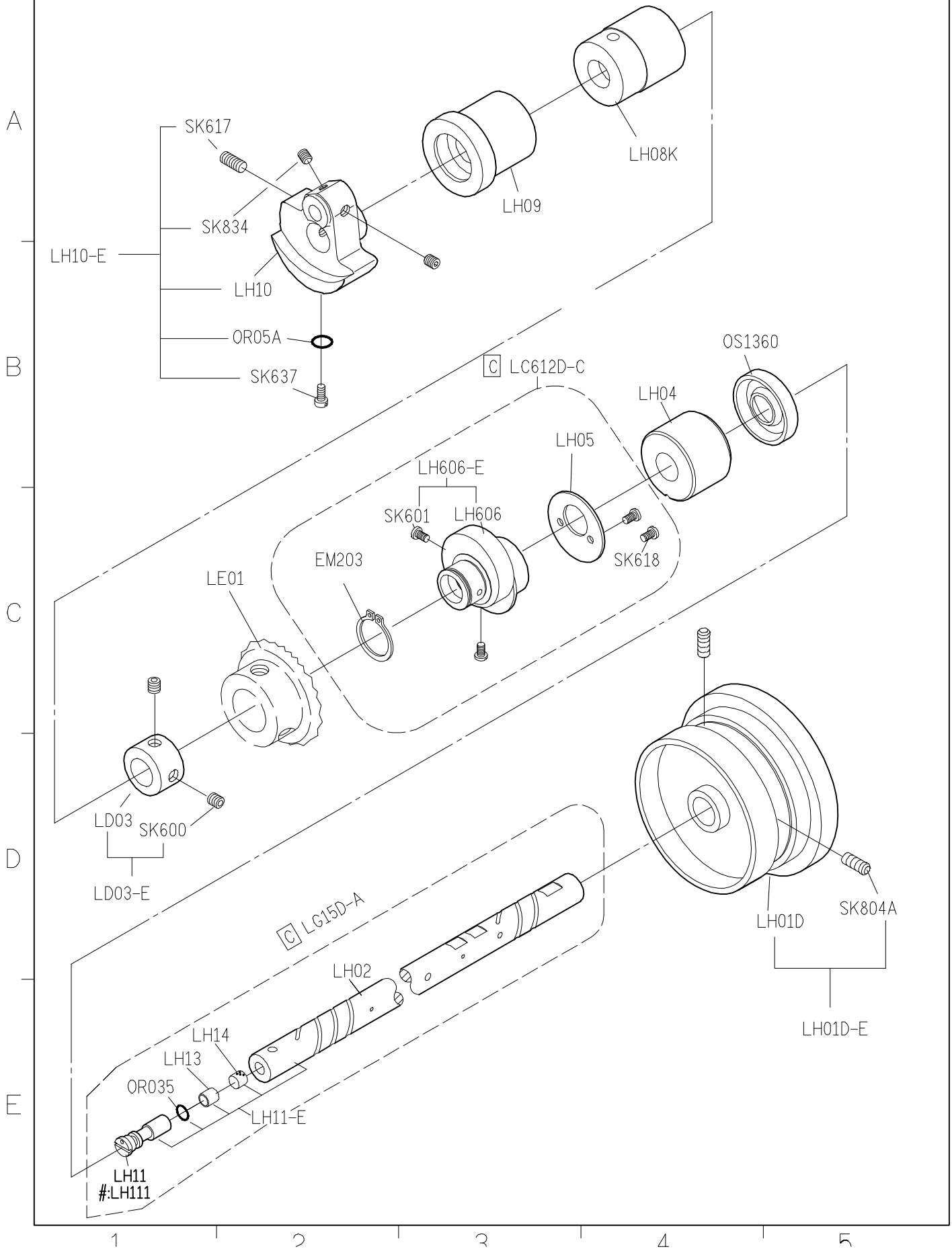
| SIRUBA PARTS LIST | Series | Parts Group | Subclass / Remark | Page |
|----------------------|------------|-------------|-------------------|------------|
| | L917-M1/H1 | LE | #:Use for H1 | 1/1 |
| | | | | Date |
| | | | | 2012/11/30 |

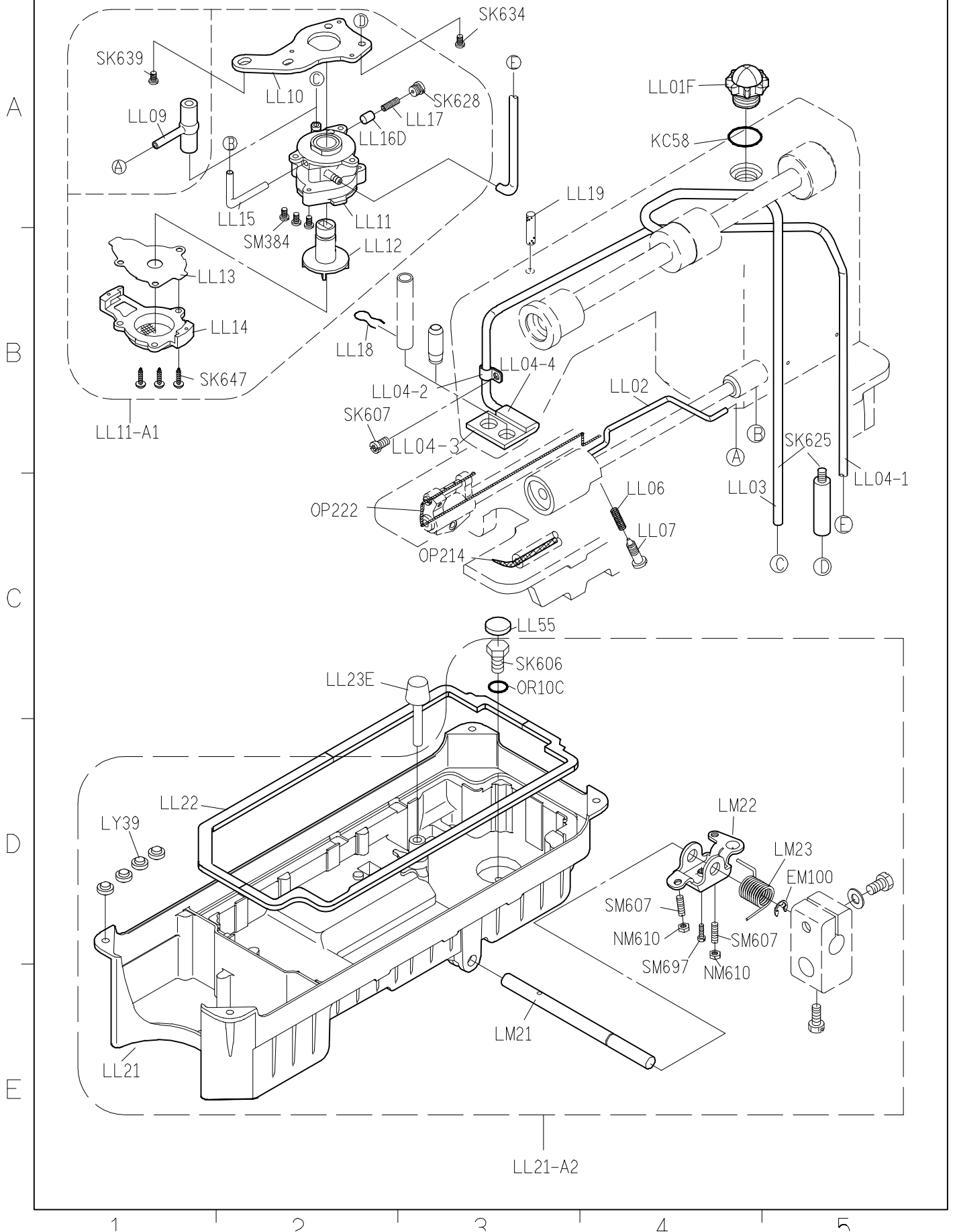


| | | | | |
|--|---------------|--------------------|--------------------------|-------------|
| SIRUBA PARTS LIST | Series | Parts Group | Subclass / Remark | Page |
| | L917-M1/H1 | LG | #:Use for H1 | 1/1 |
| | | | | Date |
| | | | | 2012/11/30 |



| SIRUBA PARTS LIST | Series | Parts Group | Subclass / Remark | Page |
|----------------------|------------|-------------|-------------------|------------|
| | L917-M1/H1 | LH | #:Use for H1 | 1/1 |
| | | | | Date |
| | | | | 2013/07/04 |



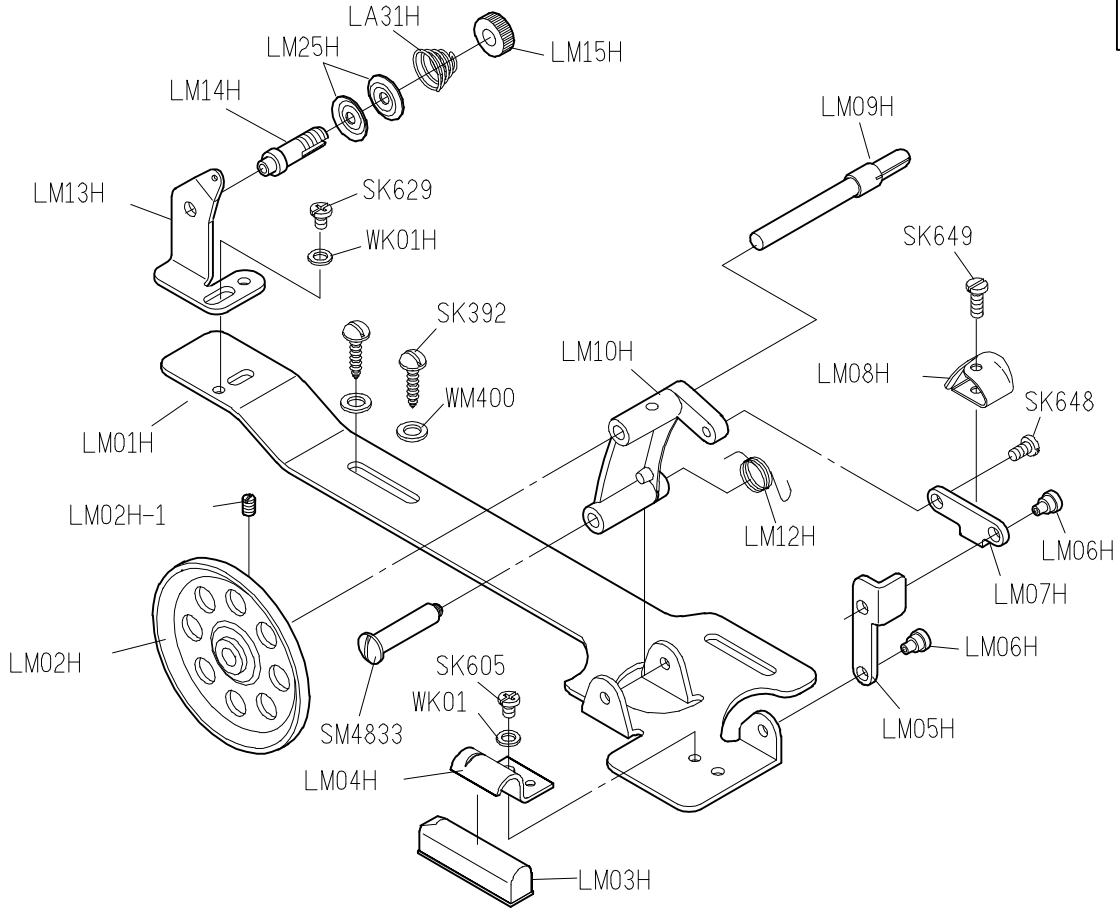


LM01H-A

A

B

C

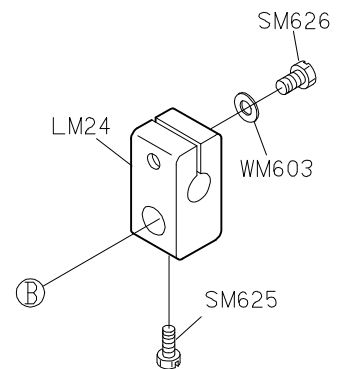
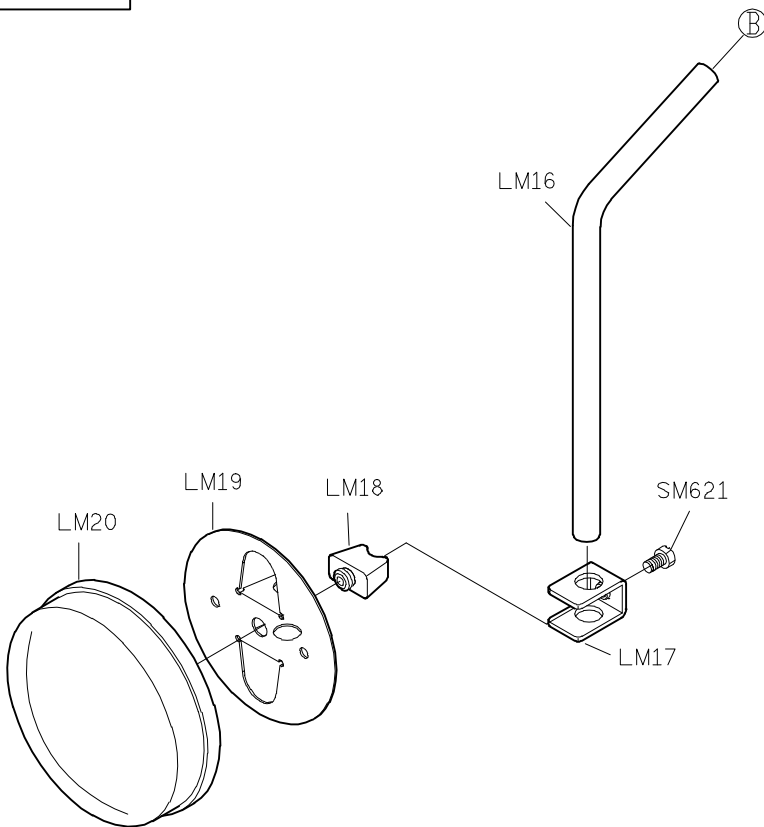


LM20-A

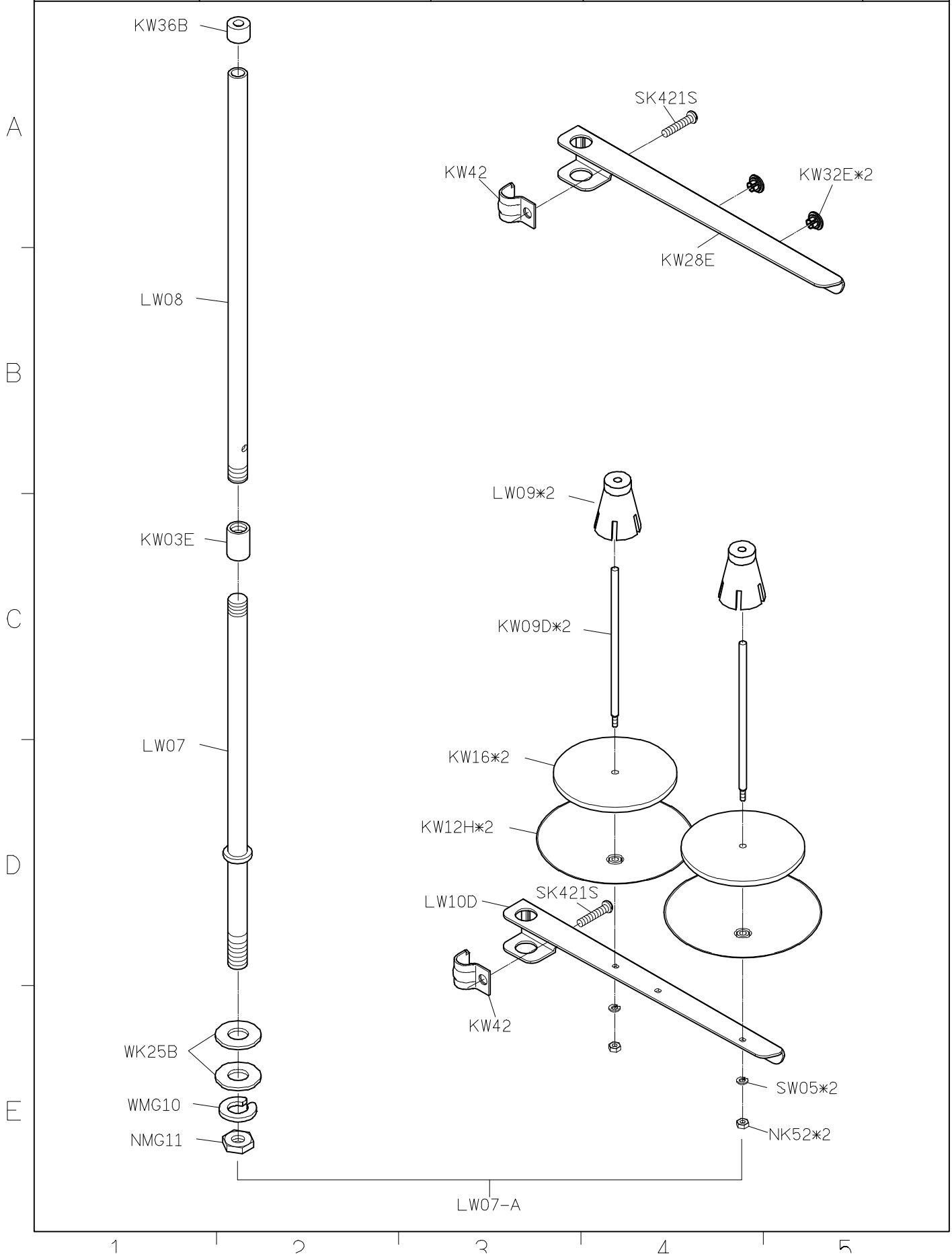
LM24-E

D

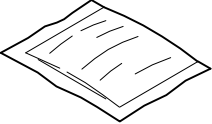

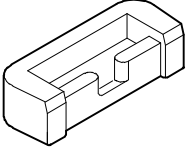
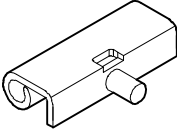

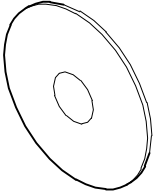


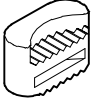

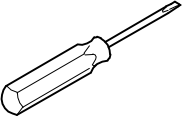
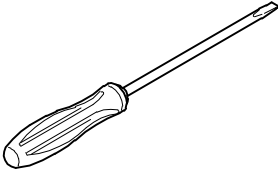
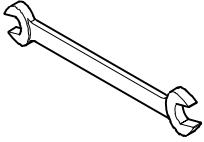
E



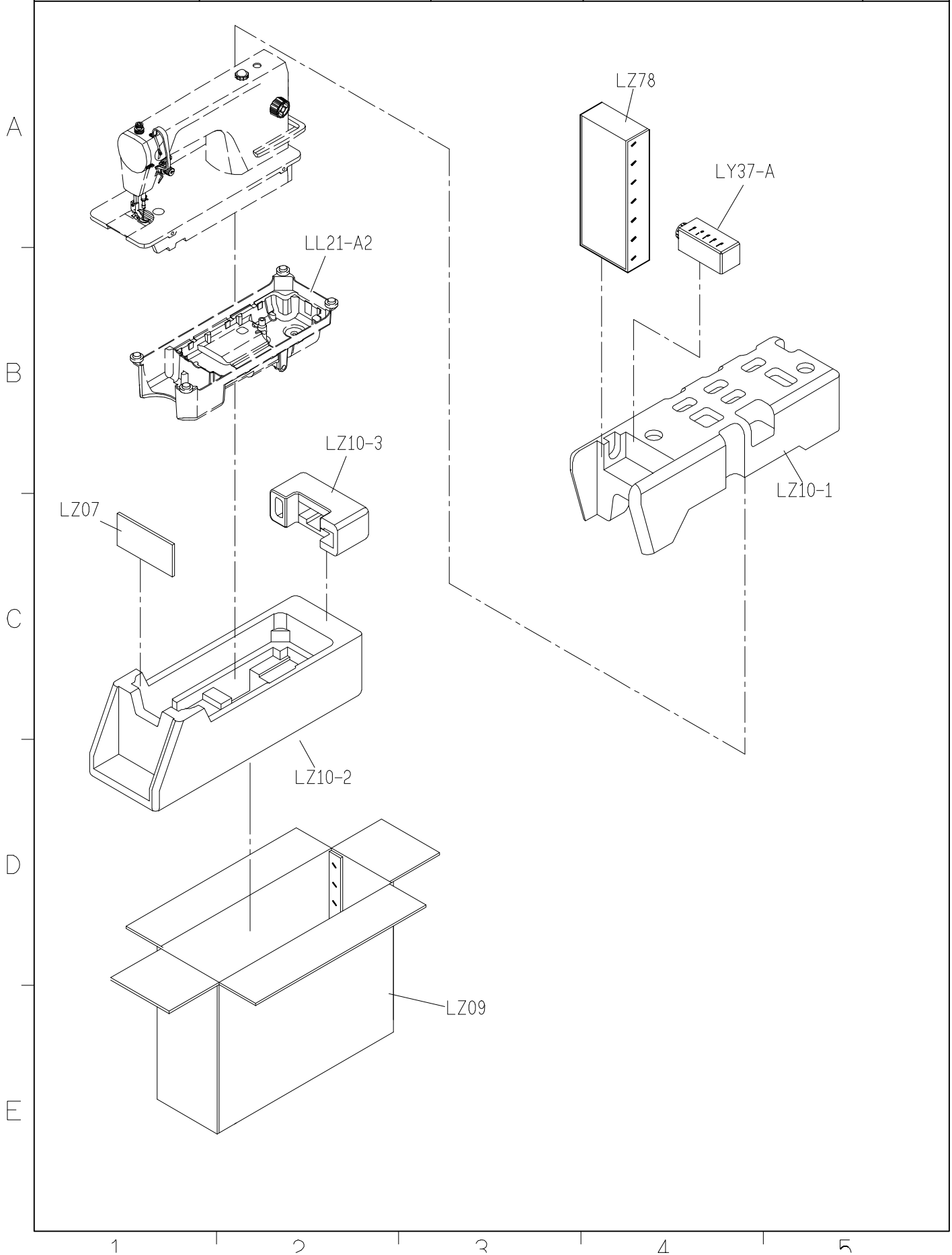
| SIRUBA PARTS LIST | Series | Parts Group | Subclass / Remark | Page |
|------------------------------------|-------------------|-------------|-------------------|------------|
| | L917-M1/H1 | LW | | 1/1 |
| | | | | Date |
| | | | | 2013/04/10 |



| SIRUBA PARTS LIST | Series | Parts Group | Subclass / Remark | Page |
|------------------------------------|------------|-------------|-------------------|------------|
| | L917-M1/H1 | LY | | 1/1 |
| | | | | Date |
| | | | | 2014/08/20 |

| | | | | | |
|---|---|--|---|---|---|
| A B C D E | KZ03*1 | LY02 | YM04*2 | LY05*2 | YM102*2 |
| |  |  |  |  |  |
| | LY36K | KY201 | G303 | YM103*2 | |
| |  |  |  |  | |
| | DB*2 | LY33 | LY35 | LY01 | |
|  |  |  |  | | |
| | 1 | 2 | 3 | 4 | 5 |

| SIRUBA PARTS LIST | Series | Parts Group | Subclass / Remark | Page |
|--|------------|-------------|-------------------|------------|
| | | | | 1/1 |
| | L917-M1/H1 | LZ | | Date |
| | | | | 2012/11/30 |



| SIRUBA TABLE CUT - OUT | Series | Item Code | Subclass / Remark | Mounting |
|------------------------------|--|-----------|-------------------|-----------------|
| | L818D/L917 L918/L918U L819/L819U | L918-T1 | | Fully-submerged |
| | | | | Date |
| | | | | 2013/01/01 |

