




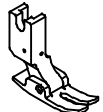





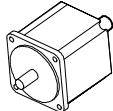



SIRUBA GAGE PARTS LIST	Series	Remark	Page	Date
	DL918	BM1/BH1	1/1	2012/11/01

DL918-BM/BH規格件表 CONVERSION CHART

											
MODEL	SUB-CLASS	OPERATING PANEL	NEEDLE PLATE	FEED DOG	PRESSER FOOT	HOOK ASM	BOBBIN CASE ASM	BOBBIN	NEEDLE	HAND WHEEL	MOTOR
機 型	規 格	操作盒	針 板	送 具	押 具	梭 頭	梭 殼	梭 子	針 號	手 輪	馬 達
DL918-BM1-10 ~ DL918-BM1-13	薄中布 至 厚布料	LU277-A	E704	D701	P701	G121	G202	G303	DBX1#14	LH500-E	T50D8S11
DL918-BM1A-10 ~ DL918-BM1A-13			E704D	D702	P701	G121	G202	G303	DBX1#14		
DL918-BH1-10 ~ DL918-BH1-13	厚布料		E711	D711	P711	G125J	G202	G303	DBX1#21		
DL918-BH1A-10 ~ DL918-BH1A-13			E711D	D711D	P711D	G125J	G202	G303	DBX1#21		

SIRUBA MODEL COMPARE LIST	Series	Remark	Page	Date
	DL918/DL7000	BM1/BH1	1/2	2012/11/01

DL918/DL7000 型別件表

										
MODEL	SUB-CLASS	SPRING	SPRING	NEEDLE BAR	BUSING	THRAD TAKE UP LEVER	THREAD GUIDE	THREAD GUIDE BAR	THREAD GUIDE	ADJUSTING KNOB
機 型	規 格	控線彈簧	控線彈簧	針棒	襯套	天秤	導線片	導線桿	導線環片	調整旋鈕
BM-XX	薄布料 ~ 中厚料	LA31	LA22	LG104H LG04	LG07	LG13	A LB06	-	LG09	LC623G
							B SK241			
BH-XX	中厚料 ~ 厚布料	LA131	LA122	LG104	LG107	LG113	-	A LB100	LG109	LC600G
								B LB106		
								C NK23		
								D WK09		

SIRUBA

PARTS LIST

Series

DL918-BM1/BH1

Parts Group

LA

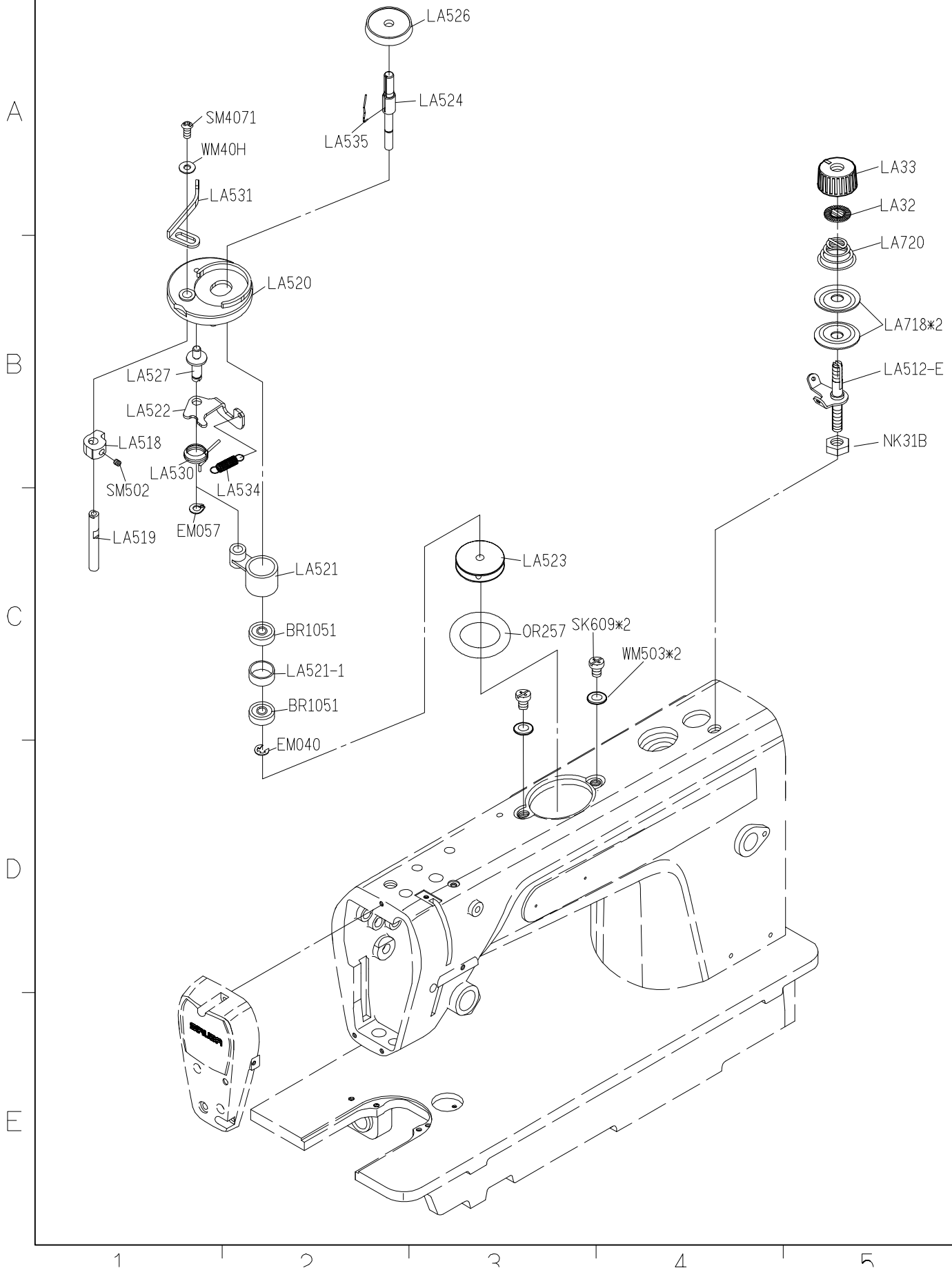
Subclass / Remark

Page

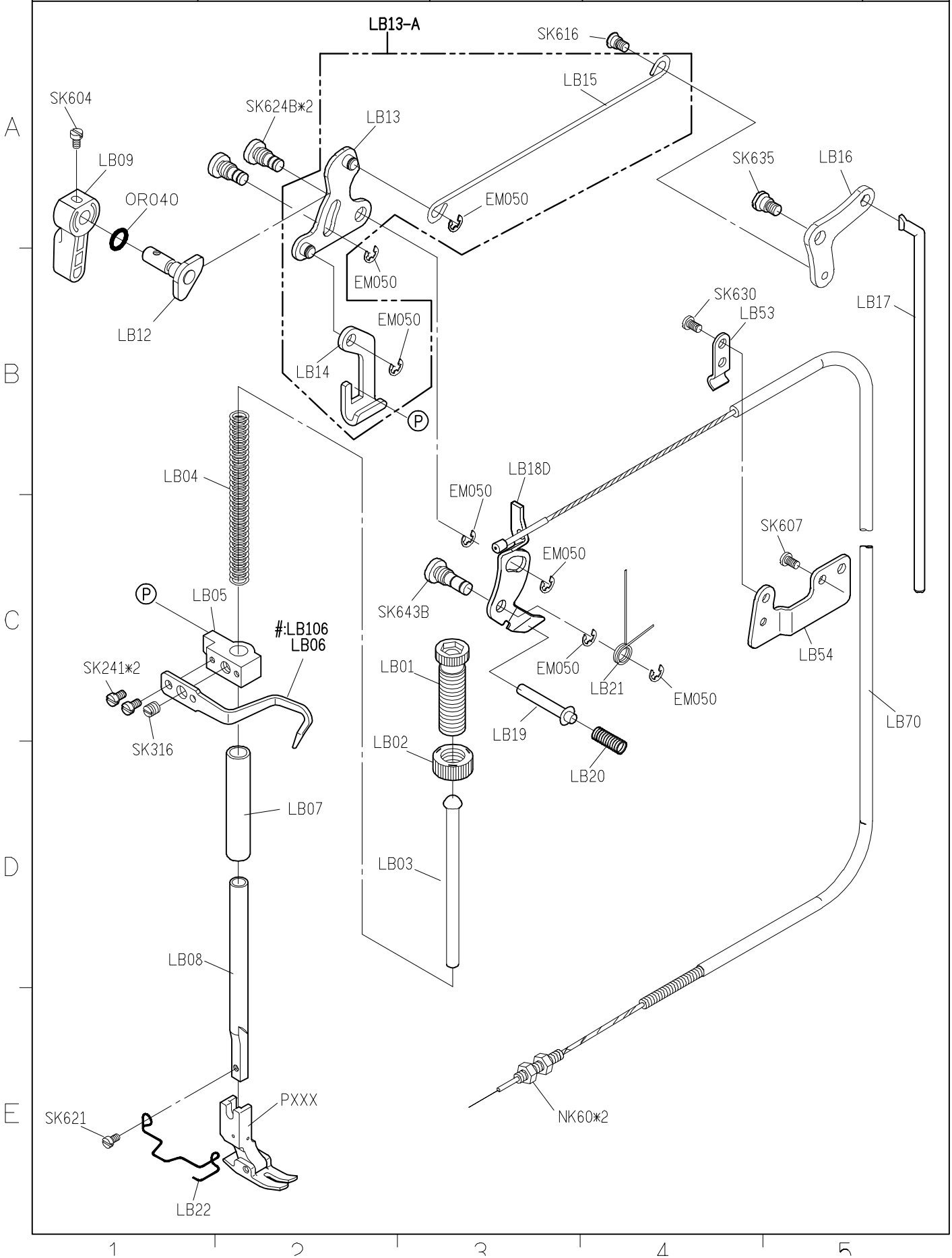
2/2

Date

2012/11/01



SIRUBA PARTS LIST	Series	Parts Group	Subclass / Remark	Page
	DL918-BM1/BH1	LB	#:Use for BH1	1/1
				Date
				2012/11/01



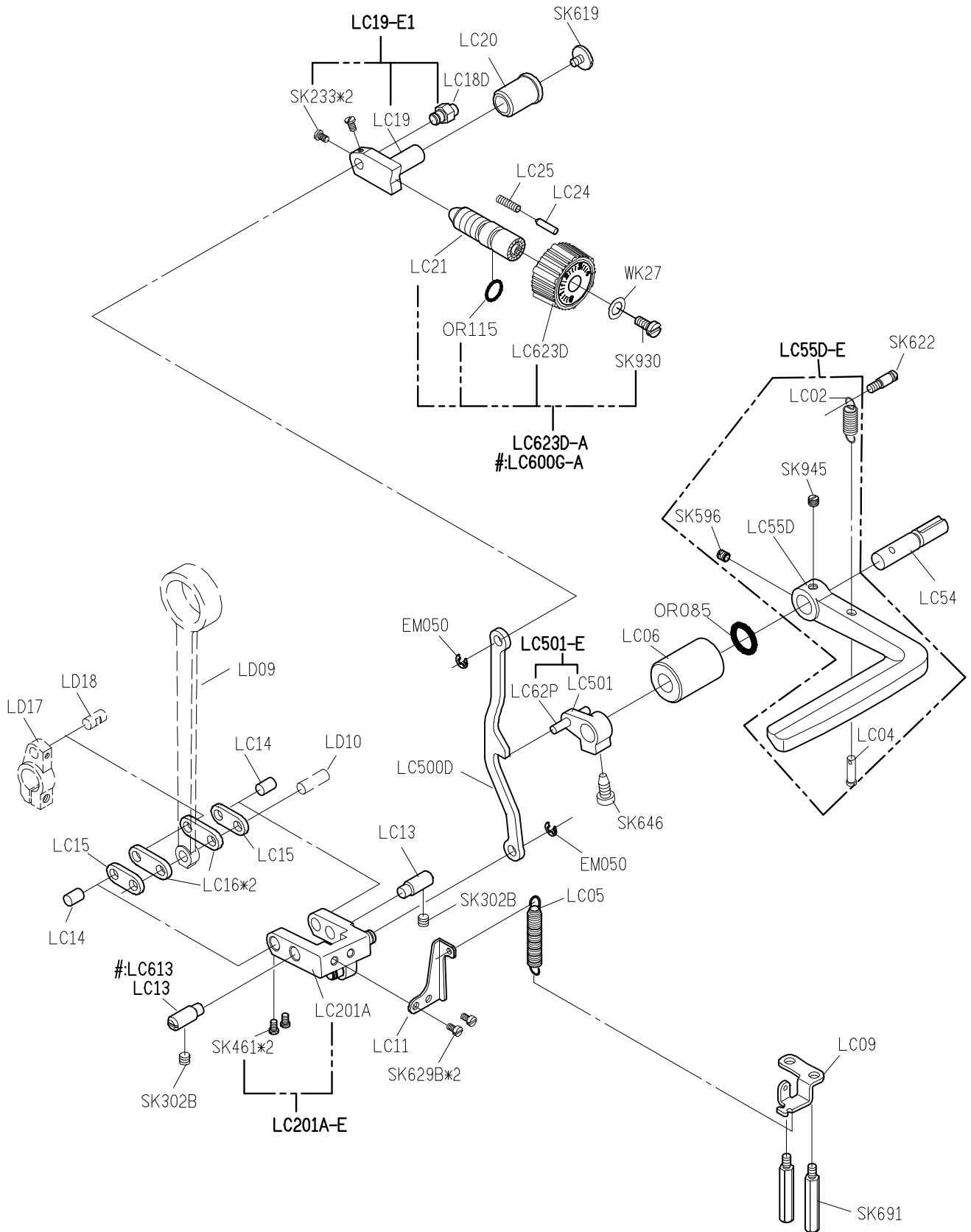
A

B

C

D

E



1

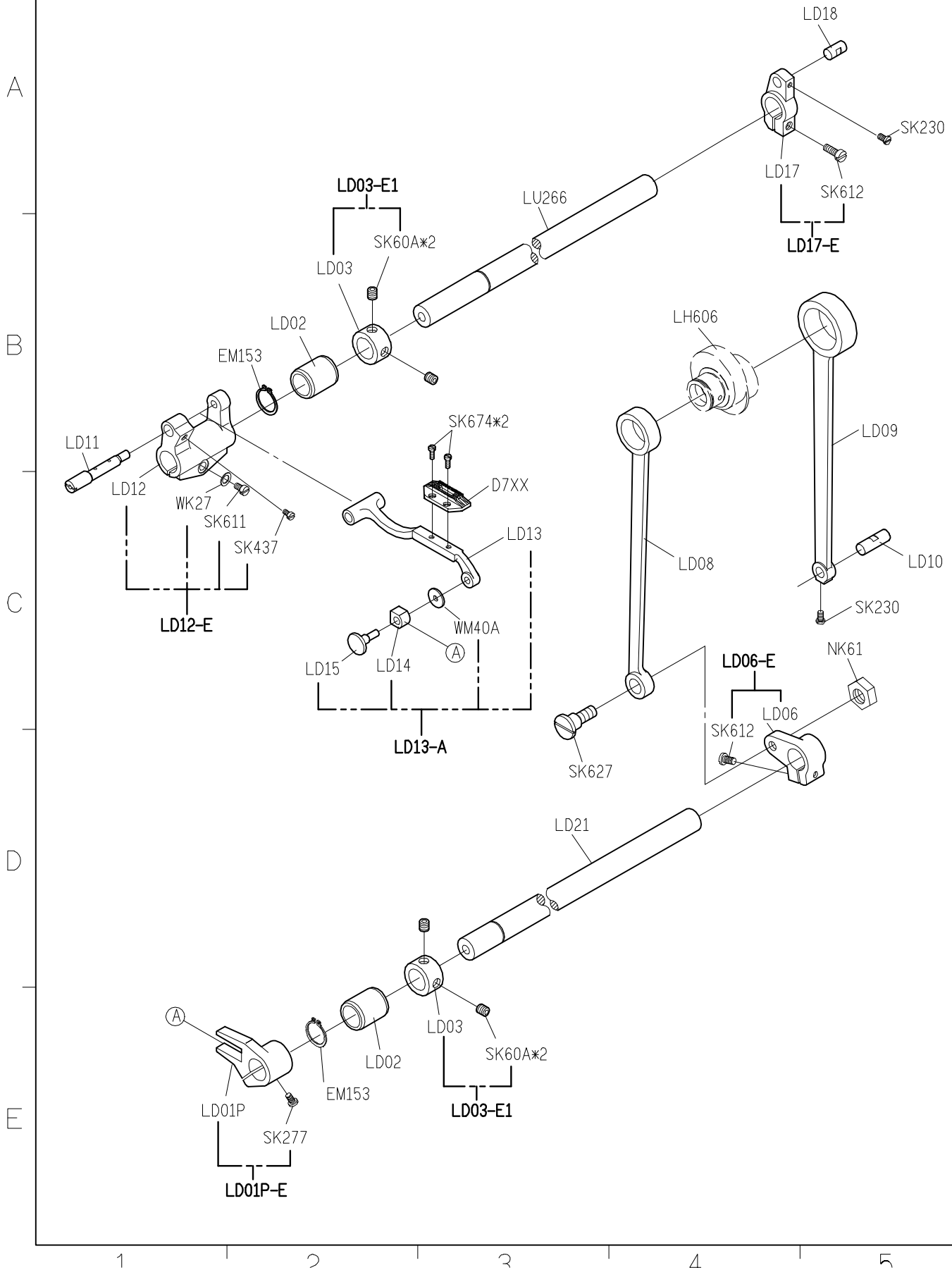
2

3

4

5

SIRUBA PARTS LIST	Series	Parts Group	Subclass / Remark	Page
	DL918-BM1/BH1	LD		1/1
				Date
				2012/11/01



SIRUBA

PARTS LIST

Series

DL918-BM1/BH1

Parts Group

LE

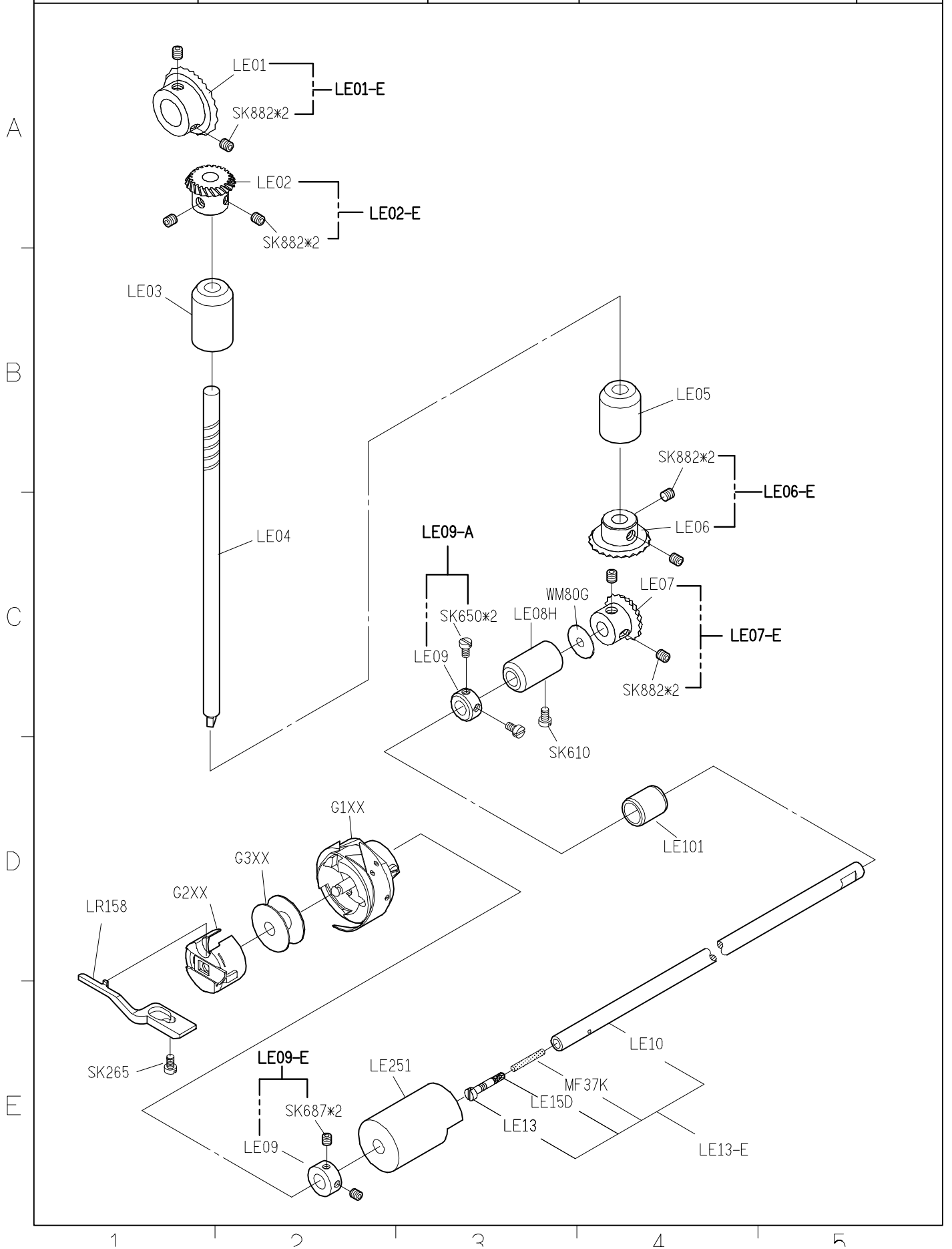
Subclass / Remark

Page

1/1

Date

2013/01/10



SIRUBA PARTS LIST	Series	Parts Group	Subclass / Remark	Page
	DL918-BM1/BH1	LG	#:Use for BH1	1/1
				Date
				2012/11/01

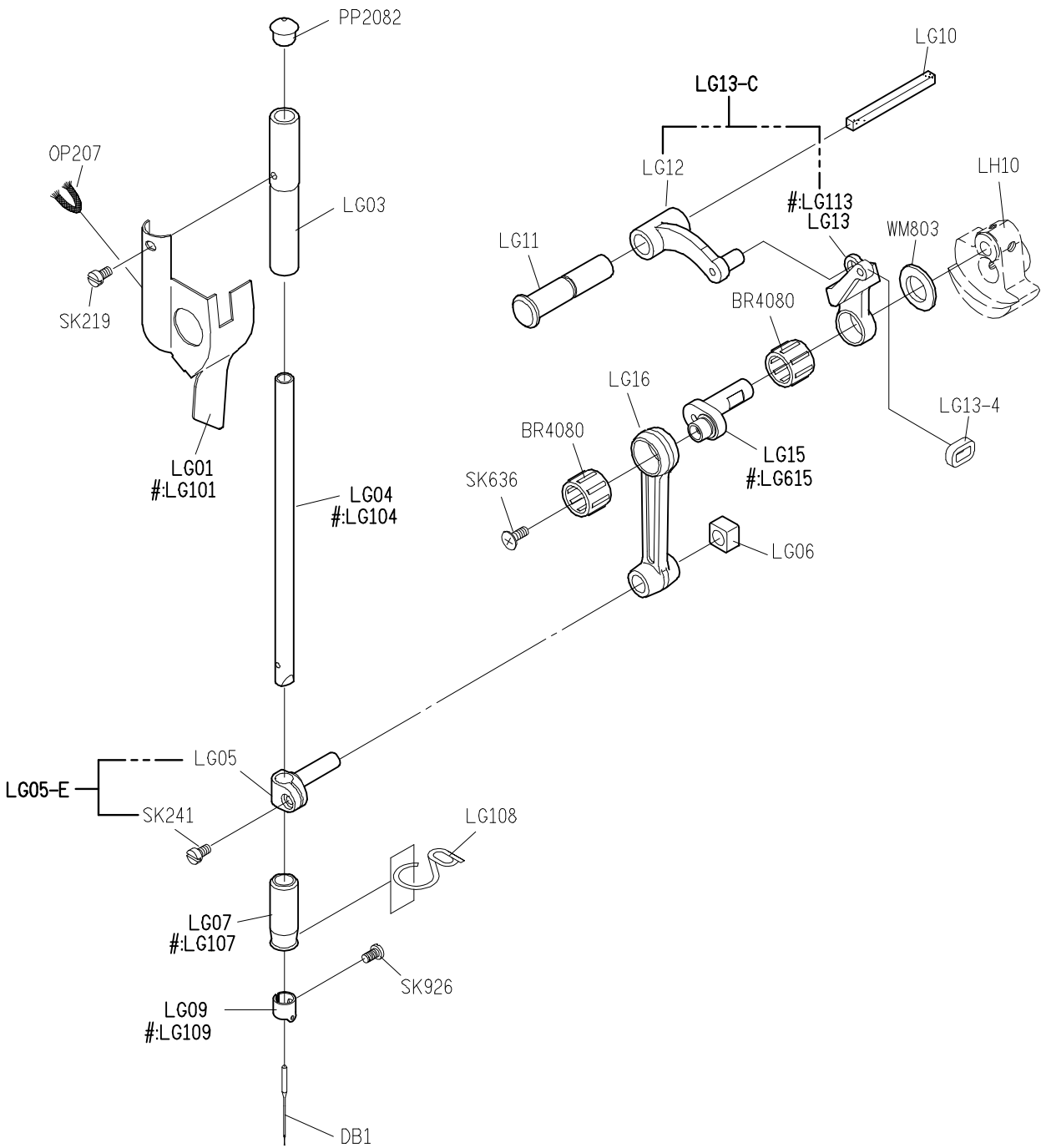
A

B

C

D

E



1

2

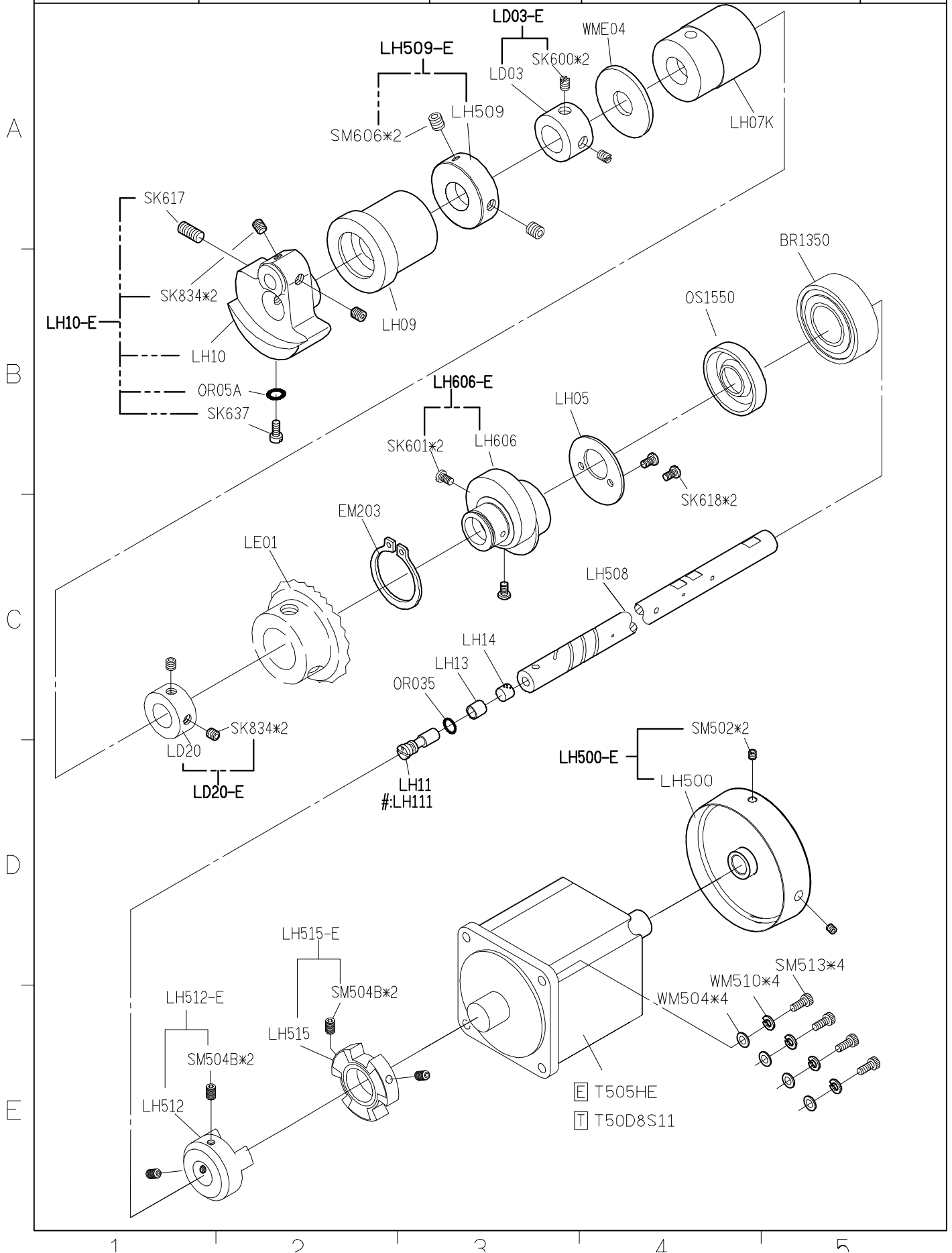
3

4

5

SIRUBA**PARTS LIST****Series****DL918-BM1/BH1****Parts Group****LH****Subclass / Remark**

#:Use for BH1

Page**1/1****Date****2012/11/01**

SIRUBA

PARTS LIST

Series

DL918-BM1/BH1

Parts Group

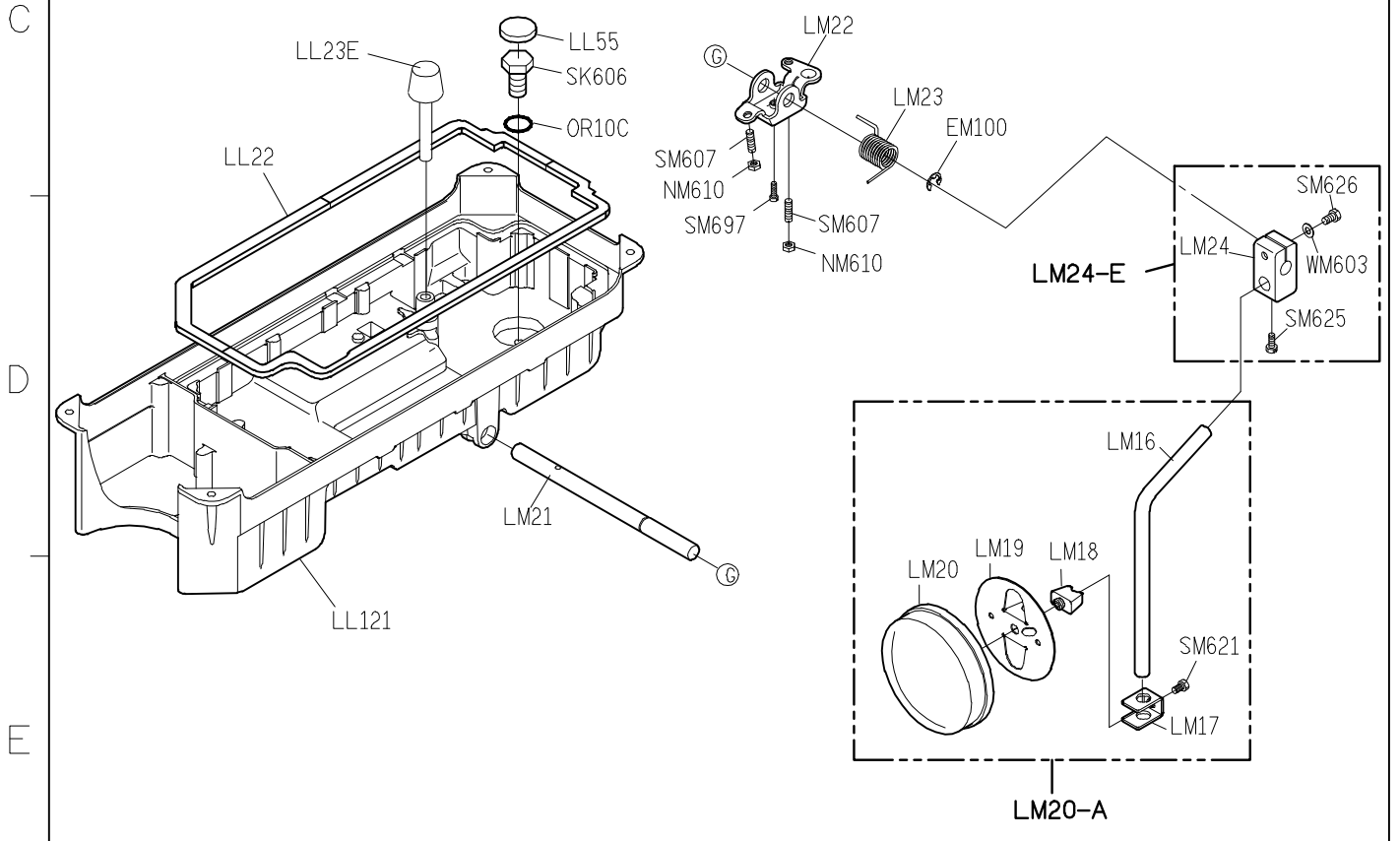
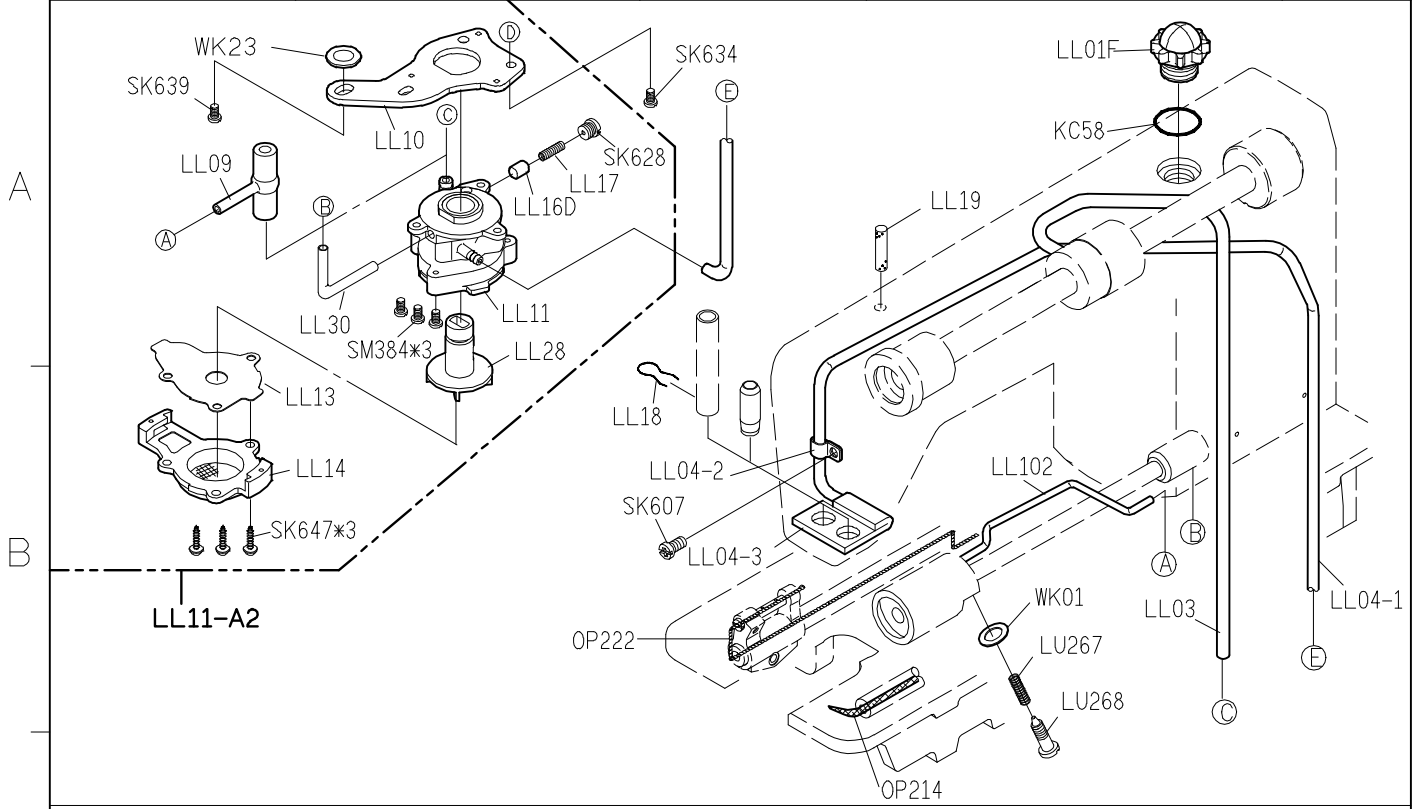
LL

Subclass / Remark

Page

Date

2013/03/20



SIRUBA

PARTS LIST

Series

DL918-BM1/BH1

Parts Group

LU

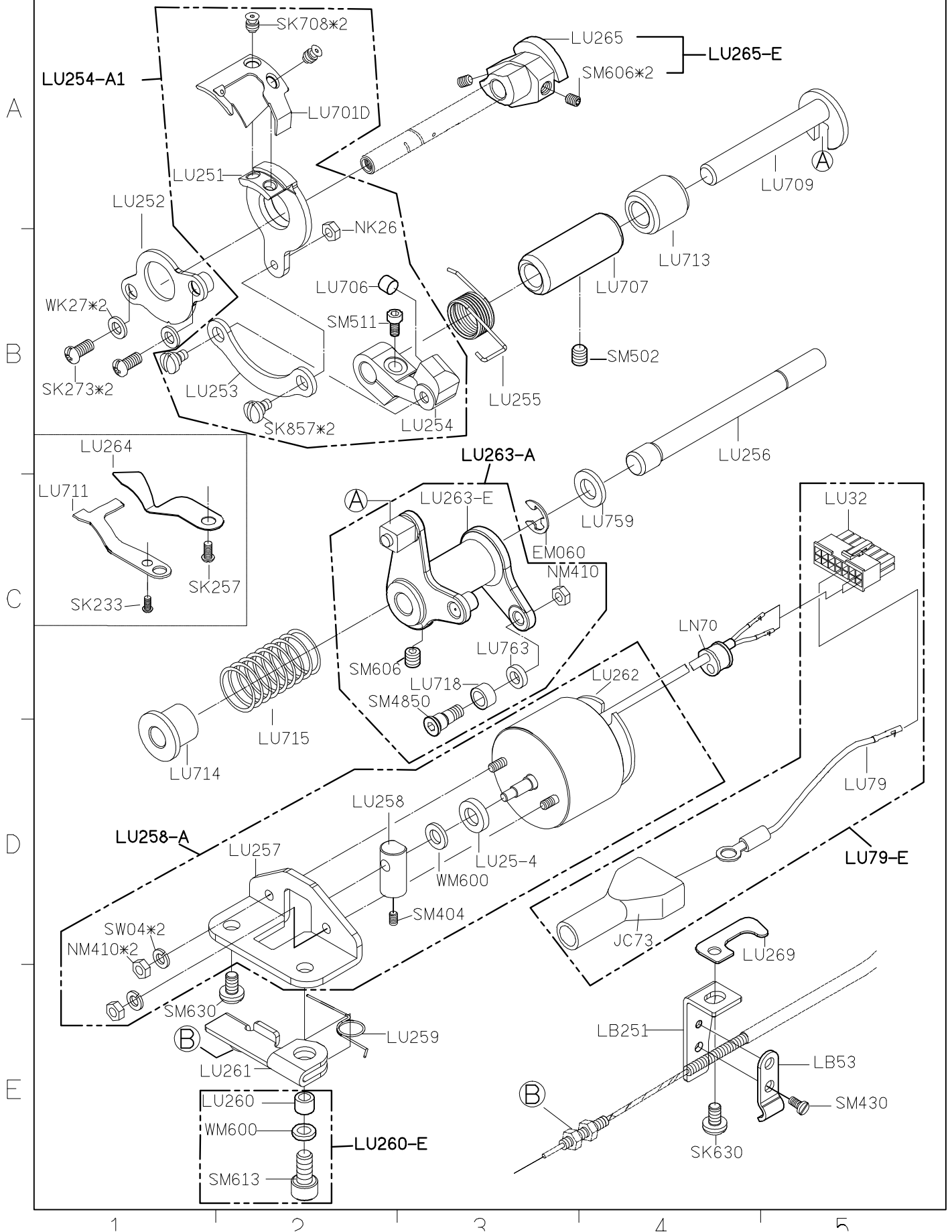
Subclass / Remark

Page

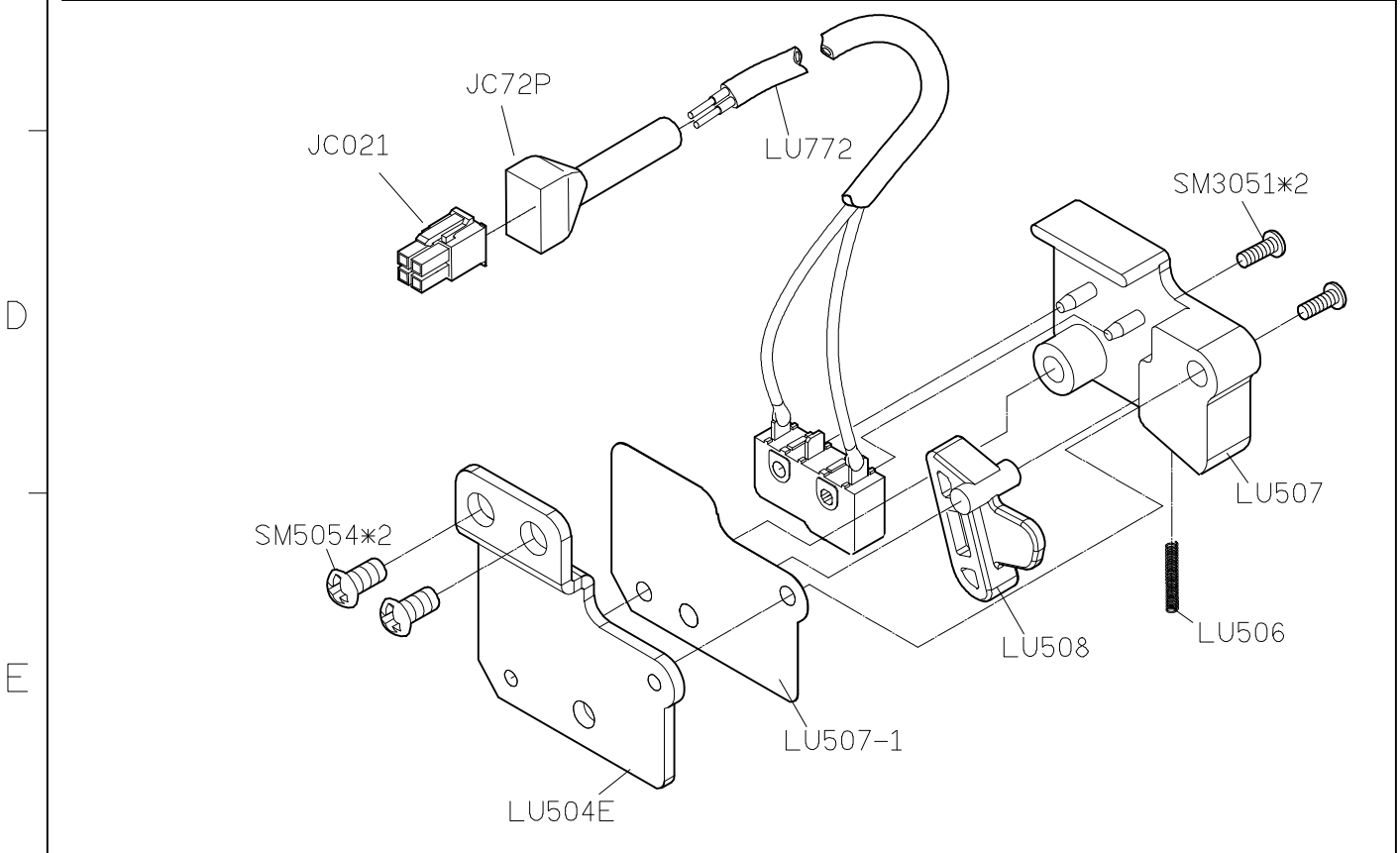
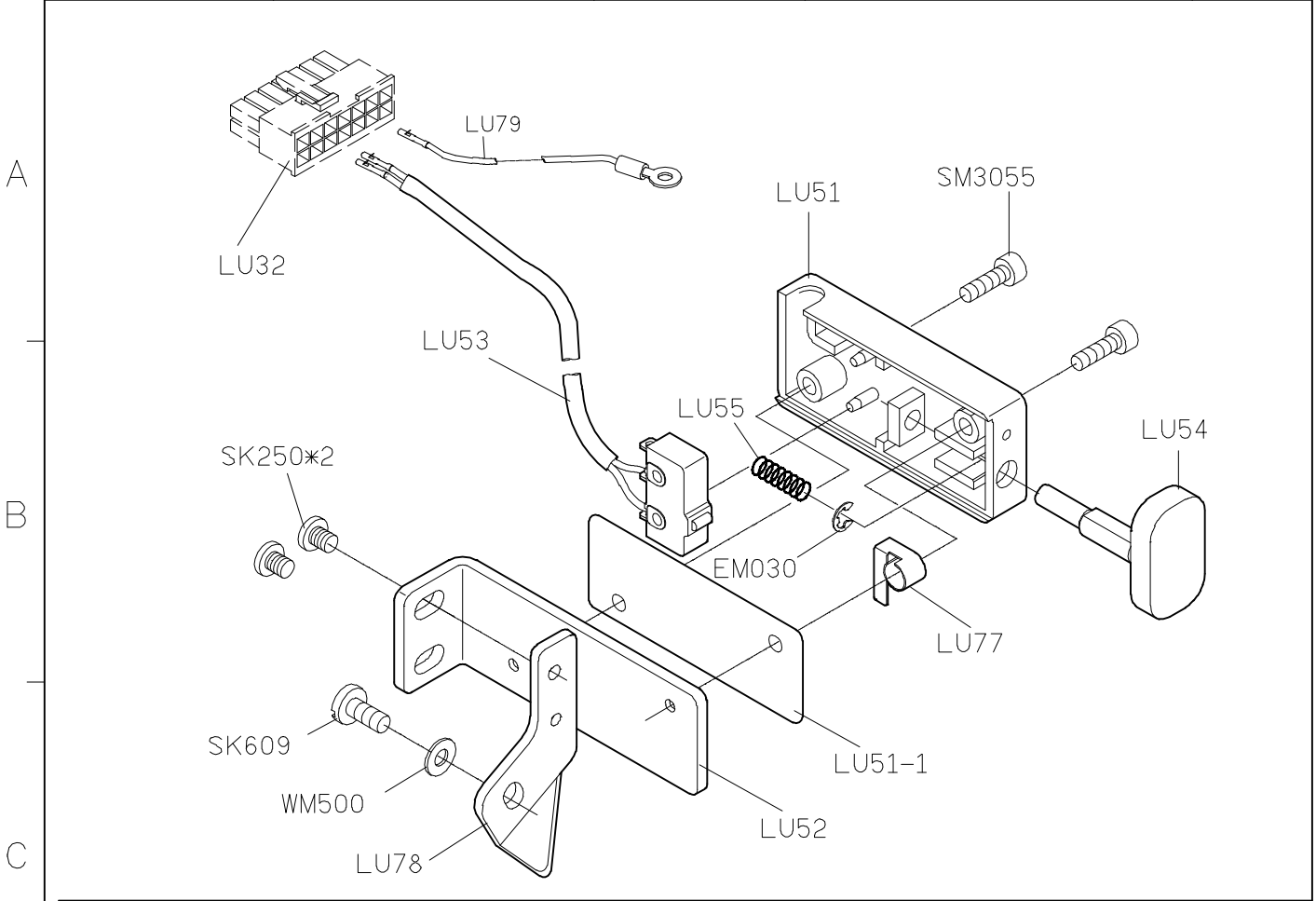
1/7

Date

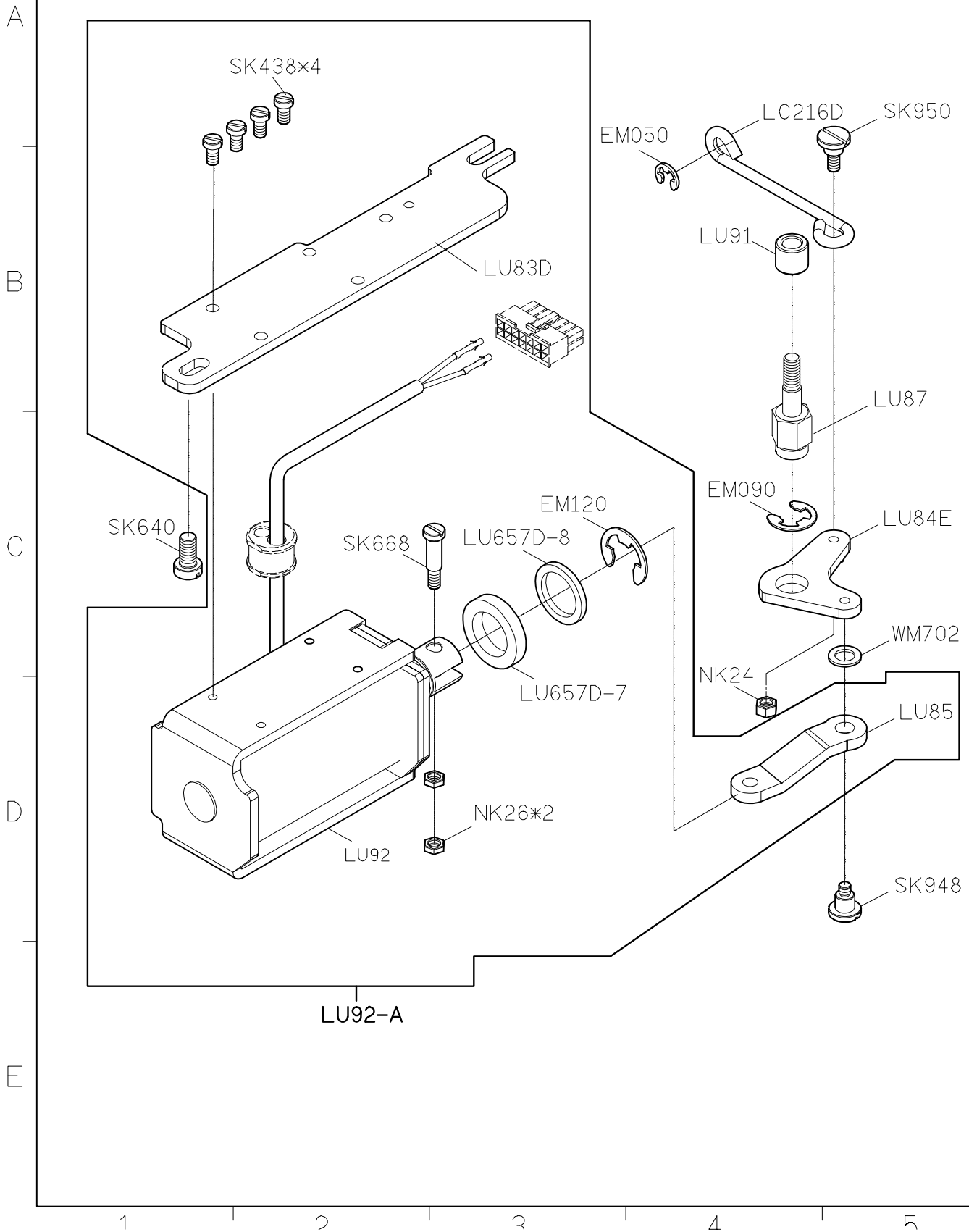
2012/11/01



SIRUBA PARTS LIST	Series	Parts Group	Subclass / Remark	Page
	DL918-BM1/BH1	LU		3/7
				Date
				2012/11/01



SIRUBA PARTS LIST	Series	Parts Group	Subclass / Remark	Page
	DL918-BM1/BH1	LU		4/7
				Date
				2012/11/08



SIRUBA PARTS LIST	Series	Parts Group	Subclass / Remark	Page
	DL918-BM1/BH1	LU	#:Use for BH1	5/7
				Date
				2012/11/01

#:LU64D-A1
LU64F-A1

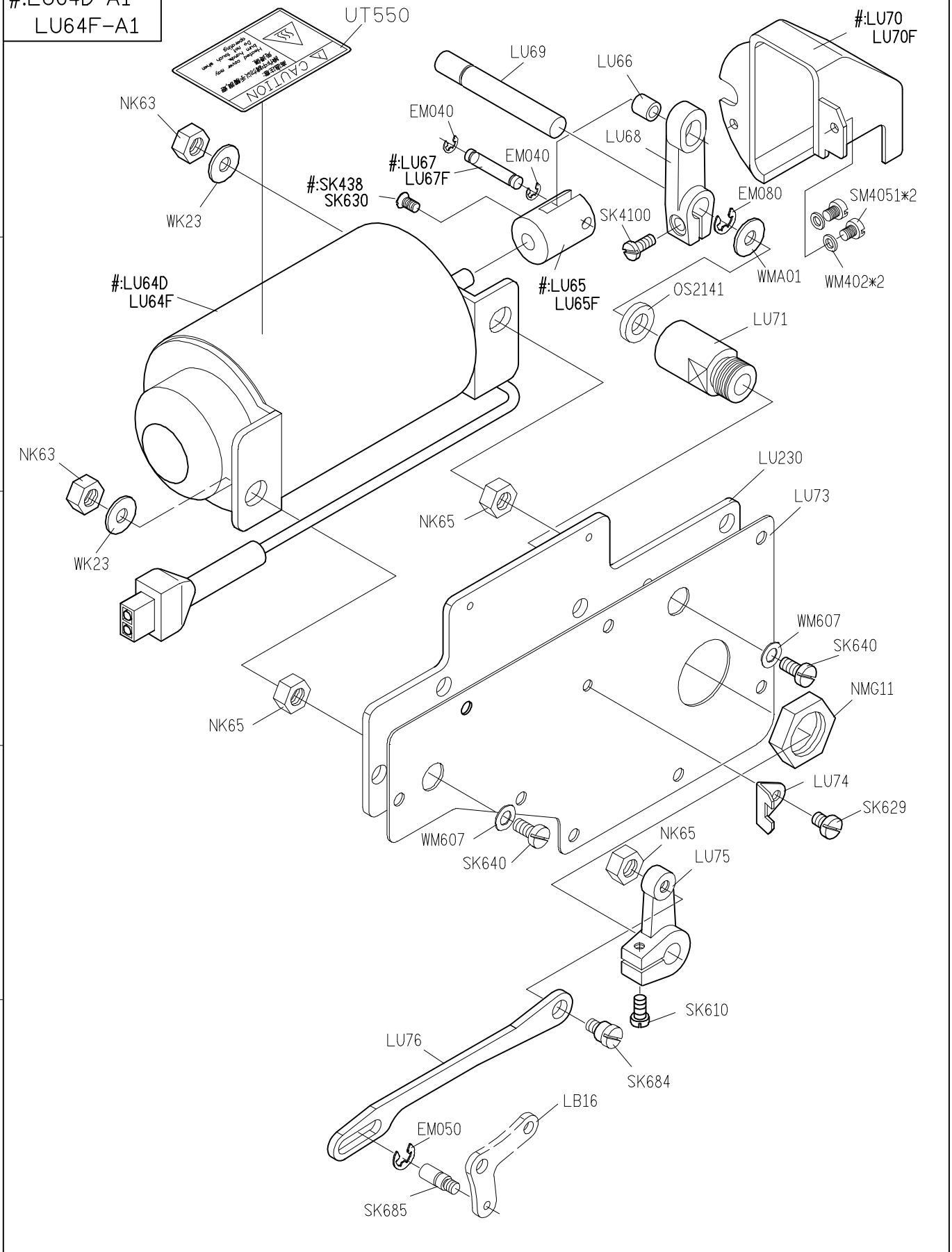
A

B

C

D

E



1

2

3

4

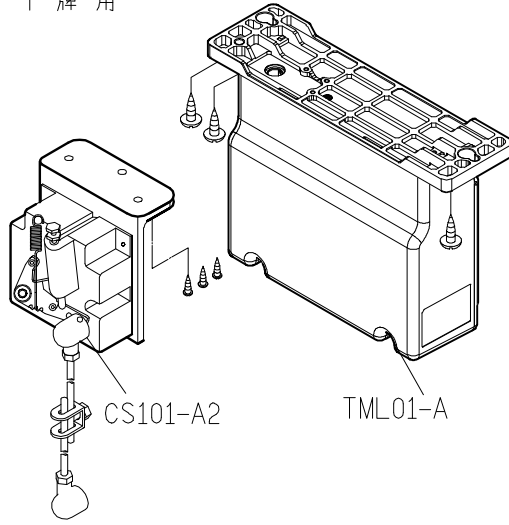
5

SIRUBA PARTS LIST	Series	Parts Group	Subclass / Remark	Page
	DL918-BM1/BH1	LU		6/7
				Date
				2012/11/01

↑ 牌 用

A

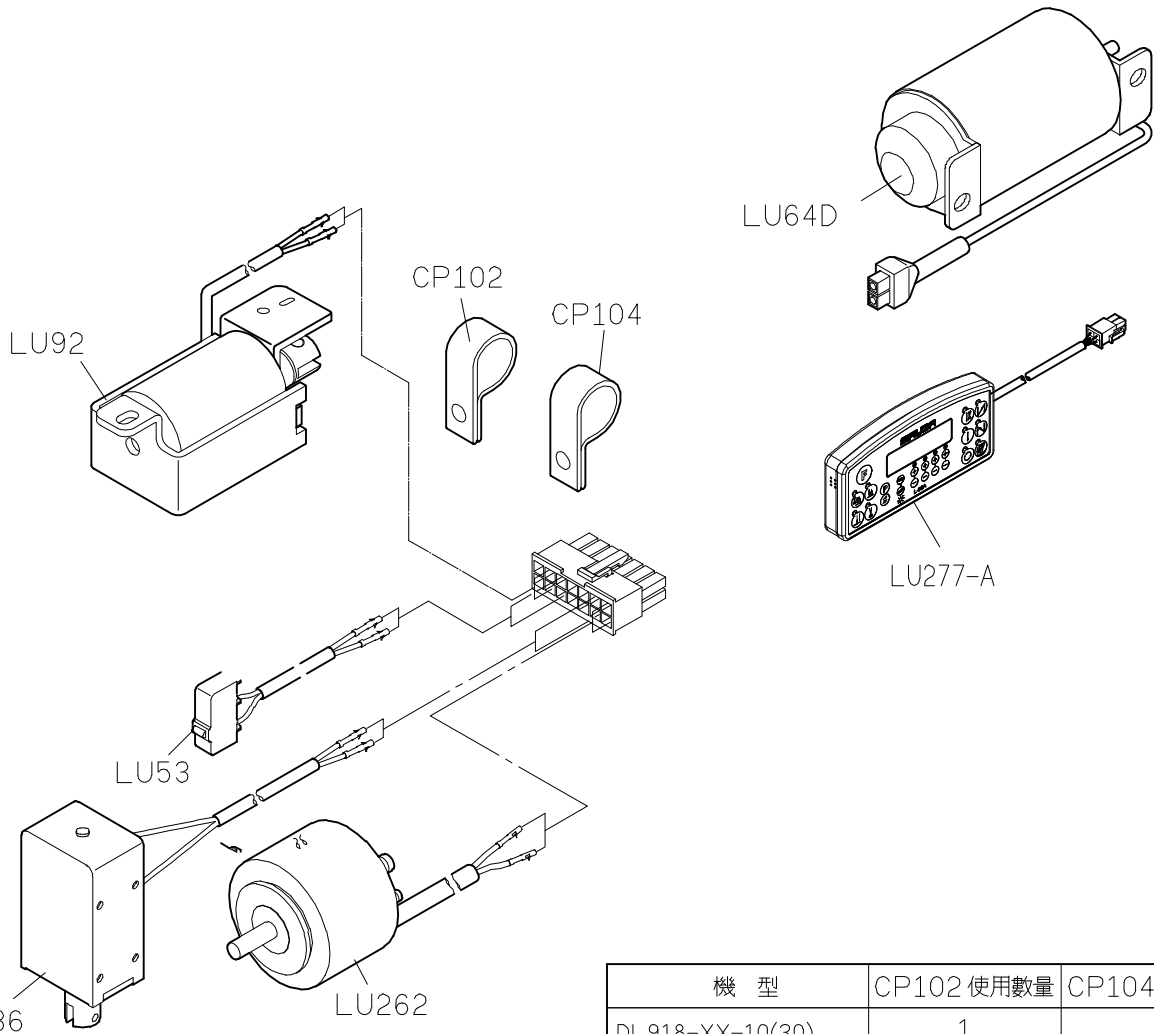
B



C

D

E



機 型	CP102 使用數量	CP104 使用數量
DL918-XX-10(30)	1	1
DL918-XX-11(31)	0	2
DL918-XX-12(32)	1	1
DL918-XX-13(33)	0	2

1

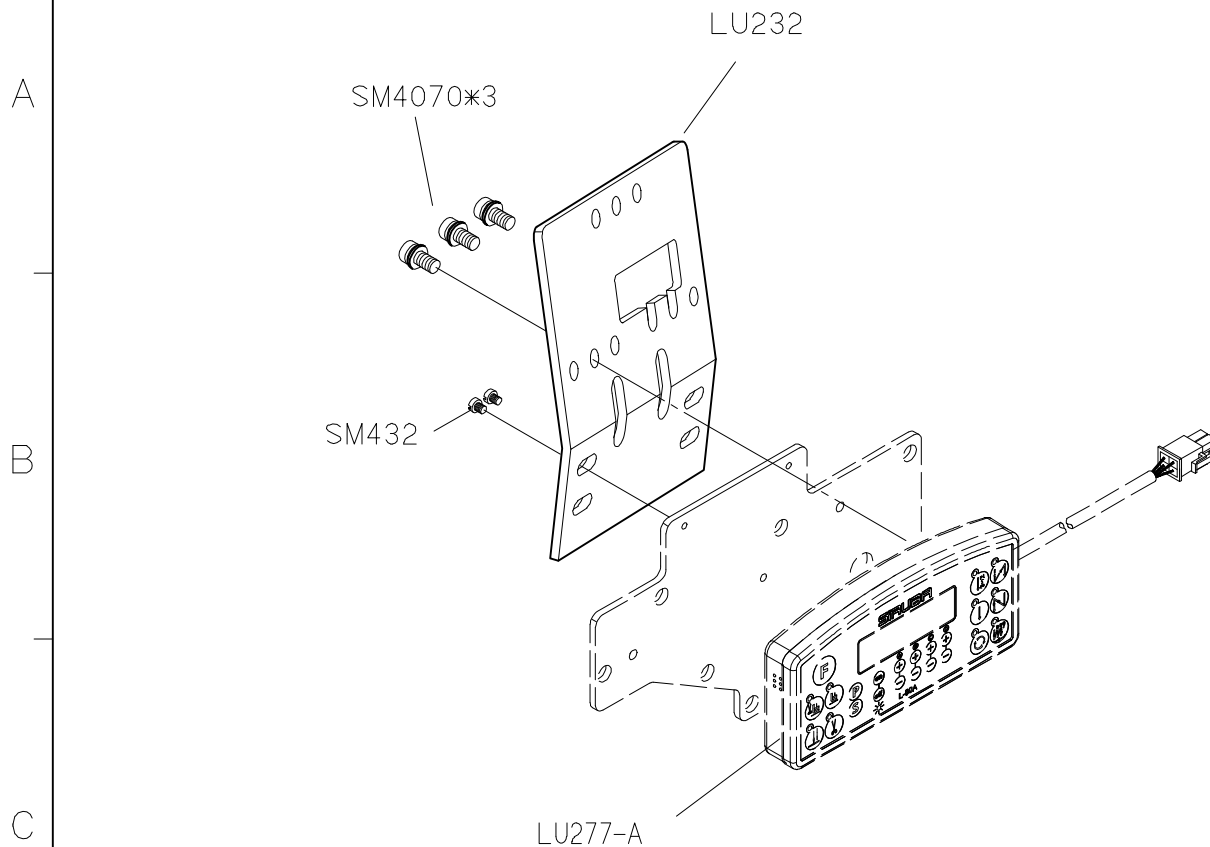
2

3

4

5

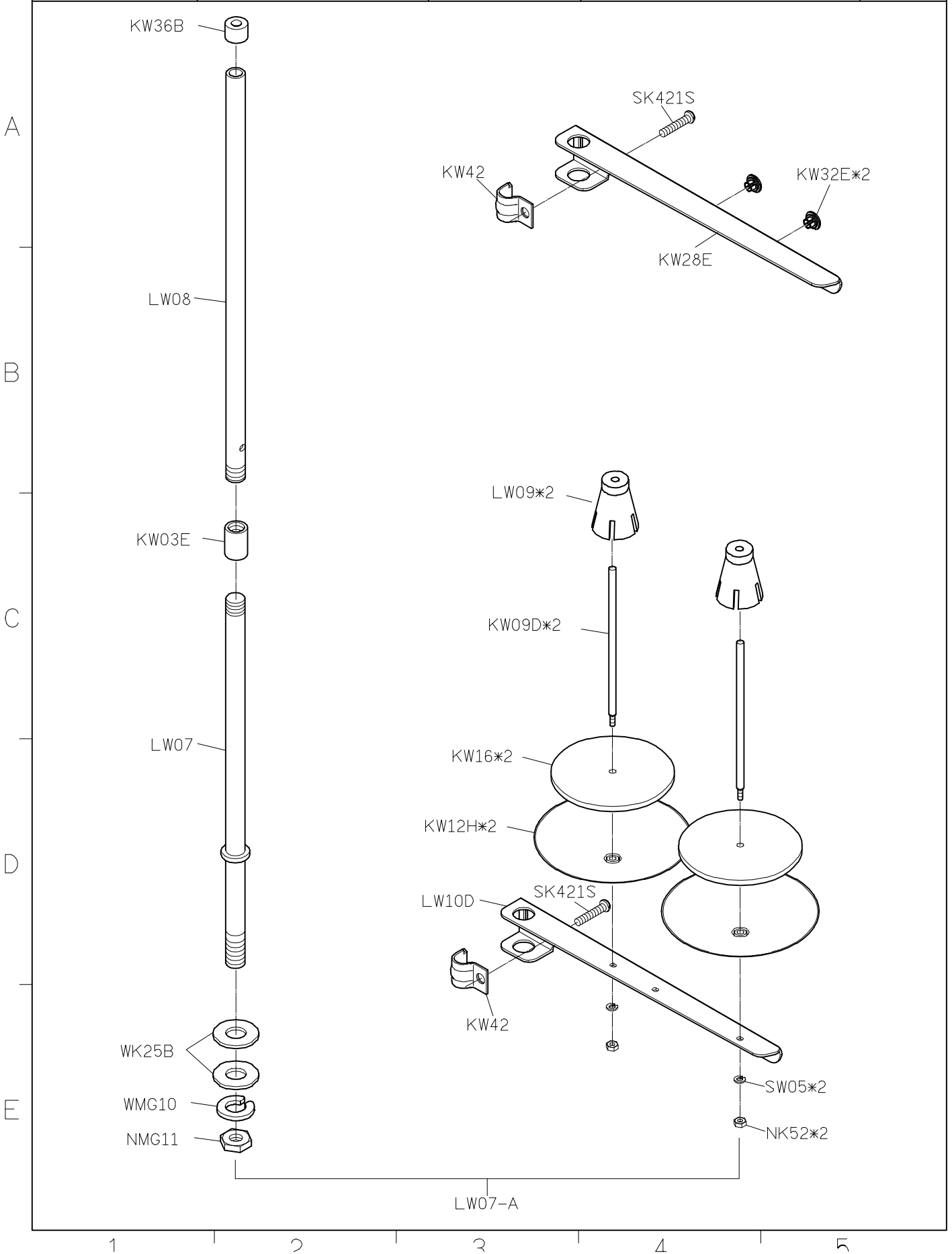
SIRUBA PARTS LIST	Series	Parts Group	Subclass / Remark	Page
	DL918-BM1/BH1	LU		7/7
				Date
				2012/11/01



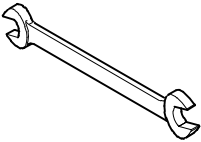

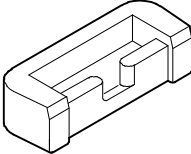
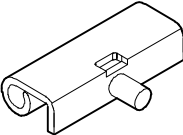

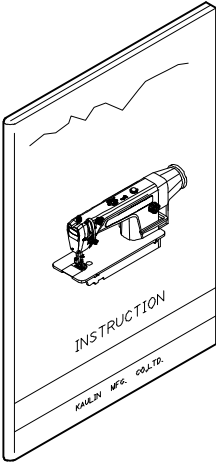
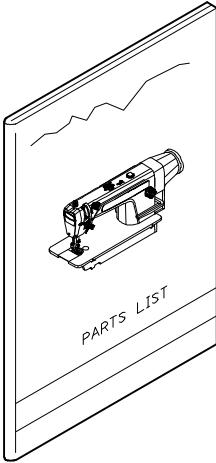

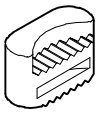
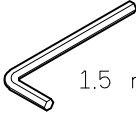
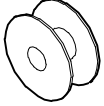


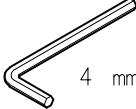

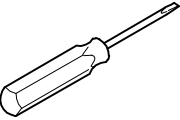
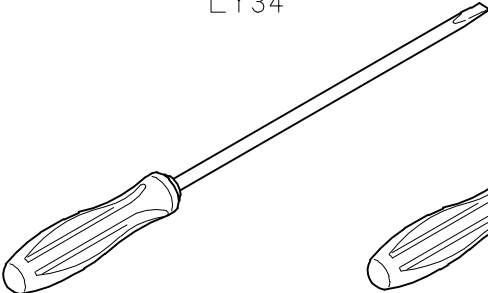
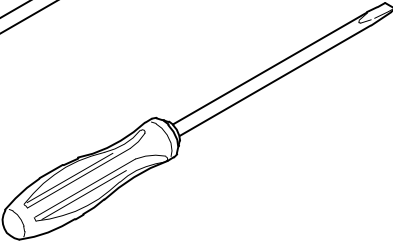

註：此部份置於配件箱內

代碼 NO.	操作面板 Control Panel	代碼 NO.	自動切線 Auto THREAD Trimmer	快速倒縫 Reverse Feeding	撥線桿 Wiper	自動抬押具 Auto Lifer
1	LU277-A	0	√	√	-	-
		1	√	√	√	-
		2	√	√	-	√
		3	√	√	√	√

SIRUBA PARTS LIST	Series	Parts Group	Subclass / Remark	Page
	DL918-BM1/BH1	LW		1/1
				Date
				2013/04/10



SIRUBA PARTS LIST	Series	Parts Group	Subclass / Remark	Page
	DL918-BM1/BH1	LY		1/1
				Date
				2012/11/01

A	LY01 	LY02 	YM04*2 	LY05*2 	YM102*2 
B	LY501 	LY529 	LY37-A 	YM103*2 	
C			MY09 	G3XX 	
D	針*2 	LY38 	MY12 	KZ03*1 	
E	LY33 	LY34 	LY35 	KY201 	
	1	2	3	4	5

SIRUBA PARTS LIST	Series	Parts Group	Subclass / Remark	Page
	DL918-BM1/BH1	LZ		1/1
				Date
				2012/12/22

