

SIRUBA PARTS LIST	Series	Parts Group	Subclass Remark	Page
	C007K/C007KD C858K	CAR	For C007K/C858K/C007KD add SAR to the type UT ☐ : Use for H brand motor (HVP-20)	1/2
				Date 2016/8/29

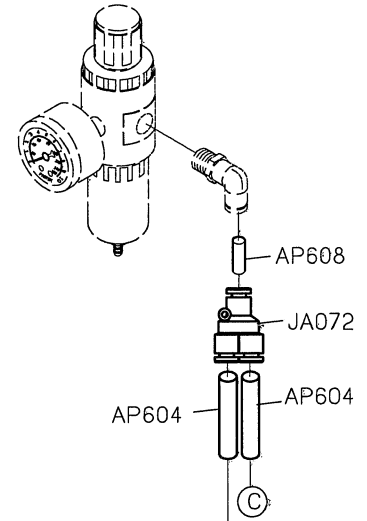
A

B

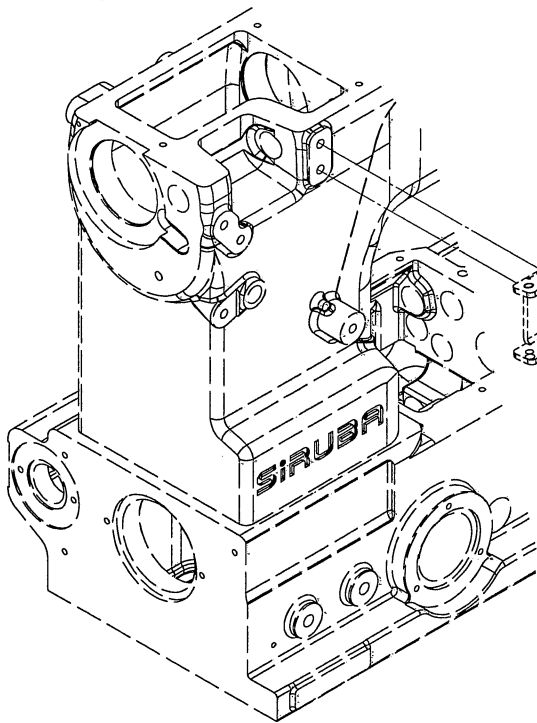
C

D

E



Joint the solenoid of UT set (接UT電磁開組)



SM332*2

UT262

WM600*2

SM6104*2

JA192

JA019

UT959B-E

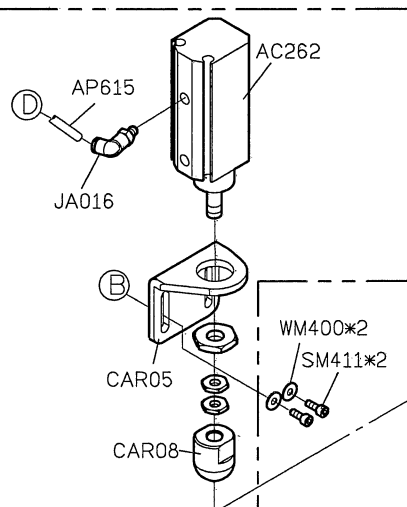
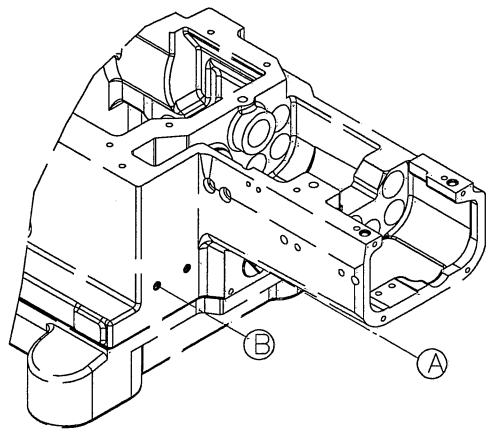
JA019

RED WIRE 紅線

BLACK WIRE 黑線

BLACK WIRE (黑線)

RED WIRE (紅線)



AP615

JA016

CAR05

CAR08

WM400*2

SM411*2

CAR07

SM435

CAR05-A1

1

2

3

4

5

SIRUBA
PARTS LIST

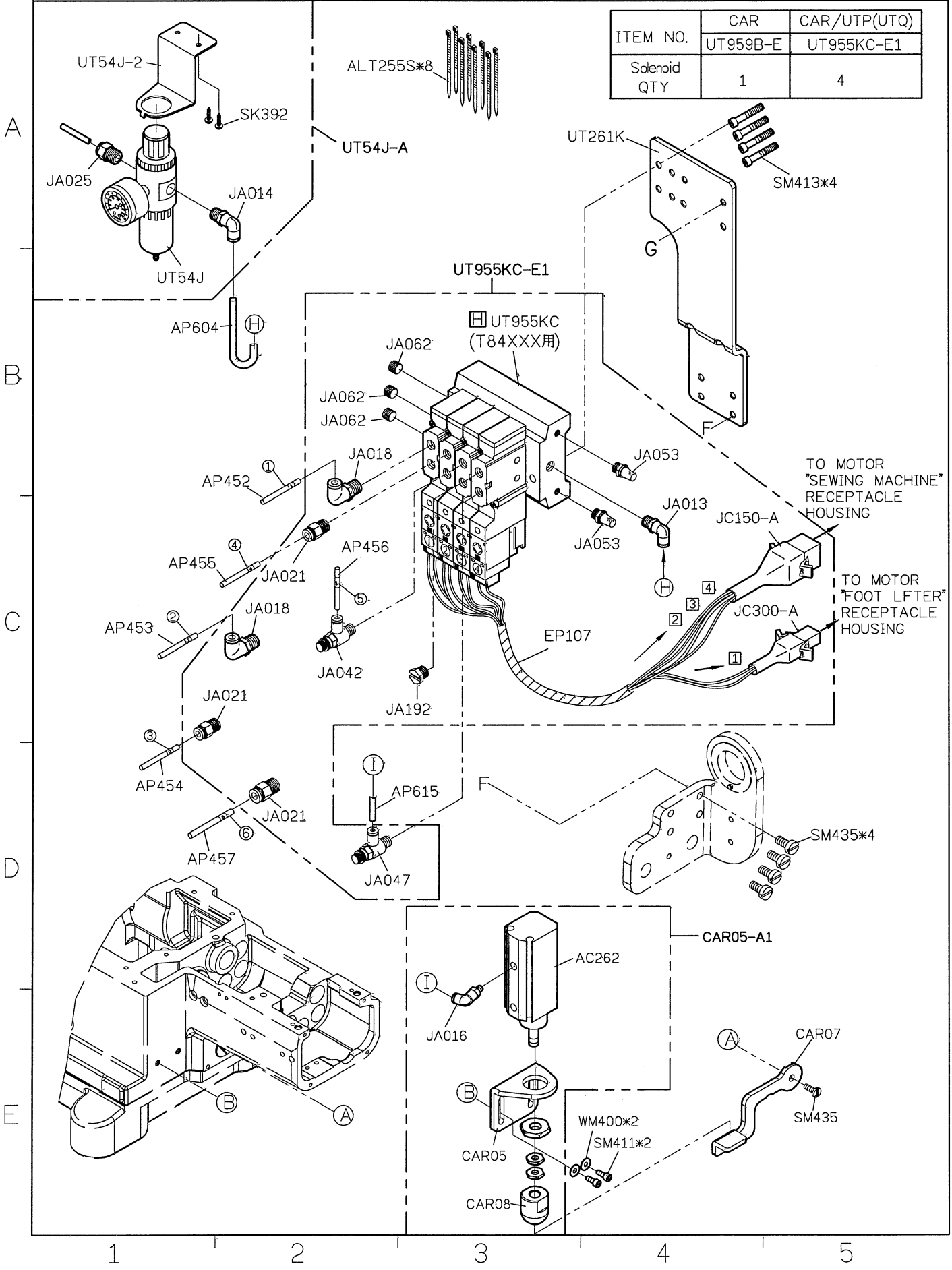
Series
**C007K/C007KD
C858K**

Parts Group
CAR

Subclass Remark
For C007K/C858K/C007KD/UT
☐ : Use for H brand motor
(HVP-20)

Page
2/2
Date
2016/8/29

ITEM NO.	CAR	CAR/UTP(UTQ)
		UT959B-E
Solenoid QTY	1	4



SIRUBA PARTS LIST	Series	Parts Group	Subclass / Remark	Page
	C007K/C007KD C858K	CC-K		1/1
				Date
				2016/8/29

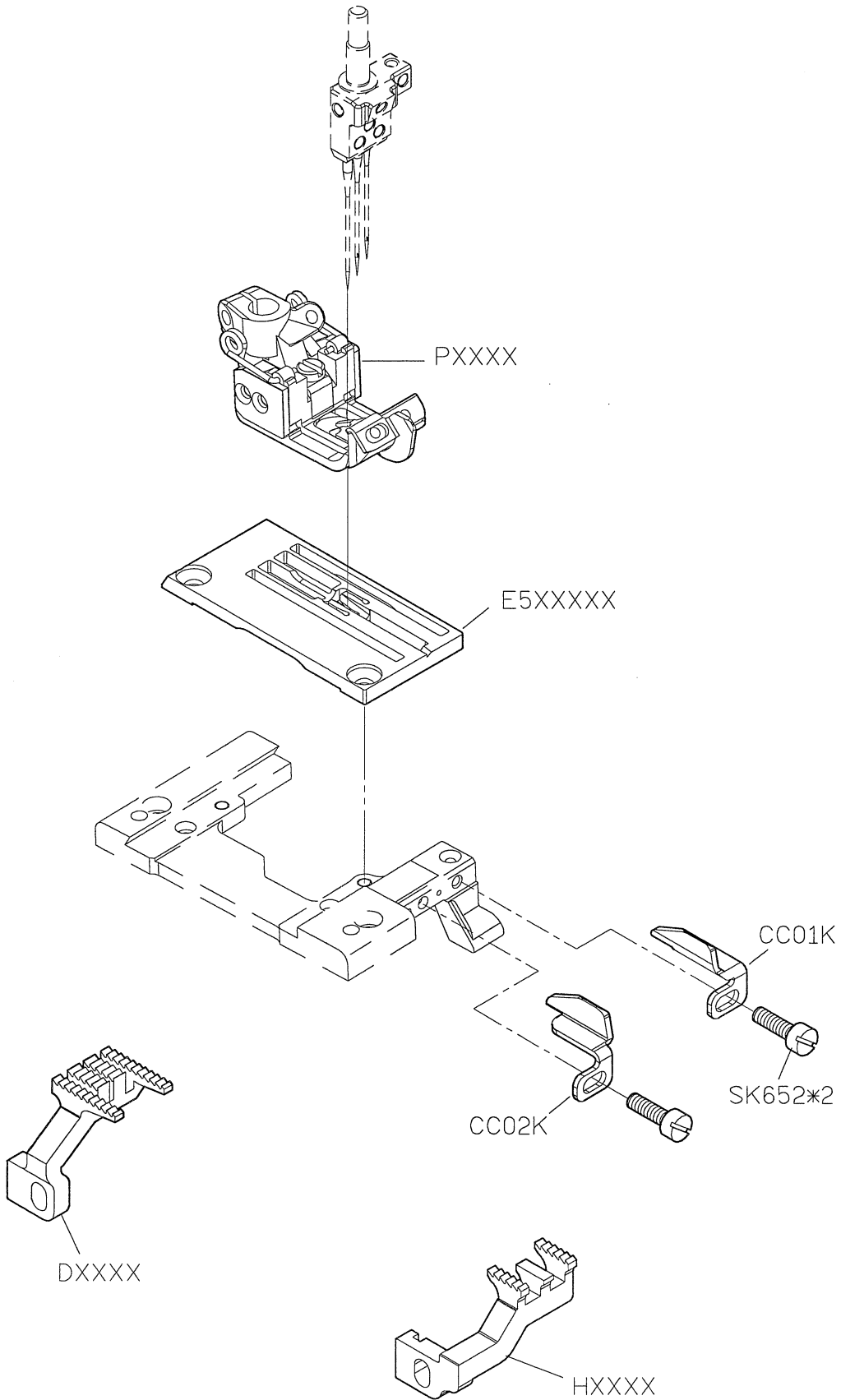
A

B

C

D

E



1

2

3

4

5

SIRUBA

PARTS LIST

Series

C007K/C007KD
C858K

Parts Group

CE-K

Subclass / Remark

Page

1/1

Date

2016/8/29

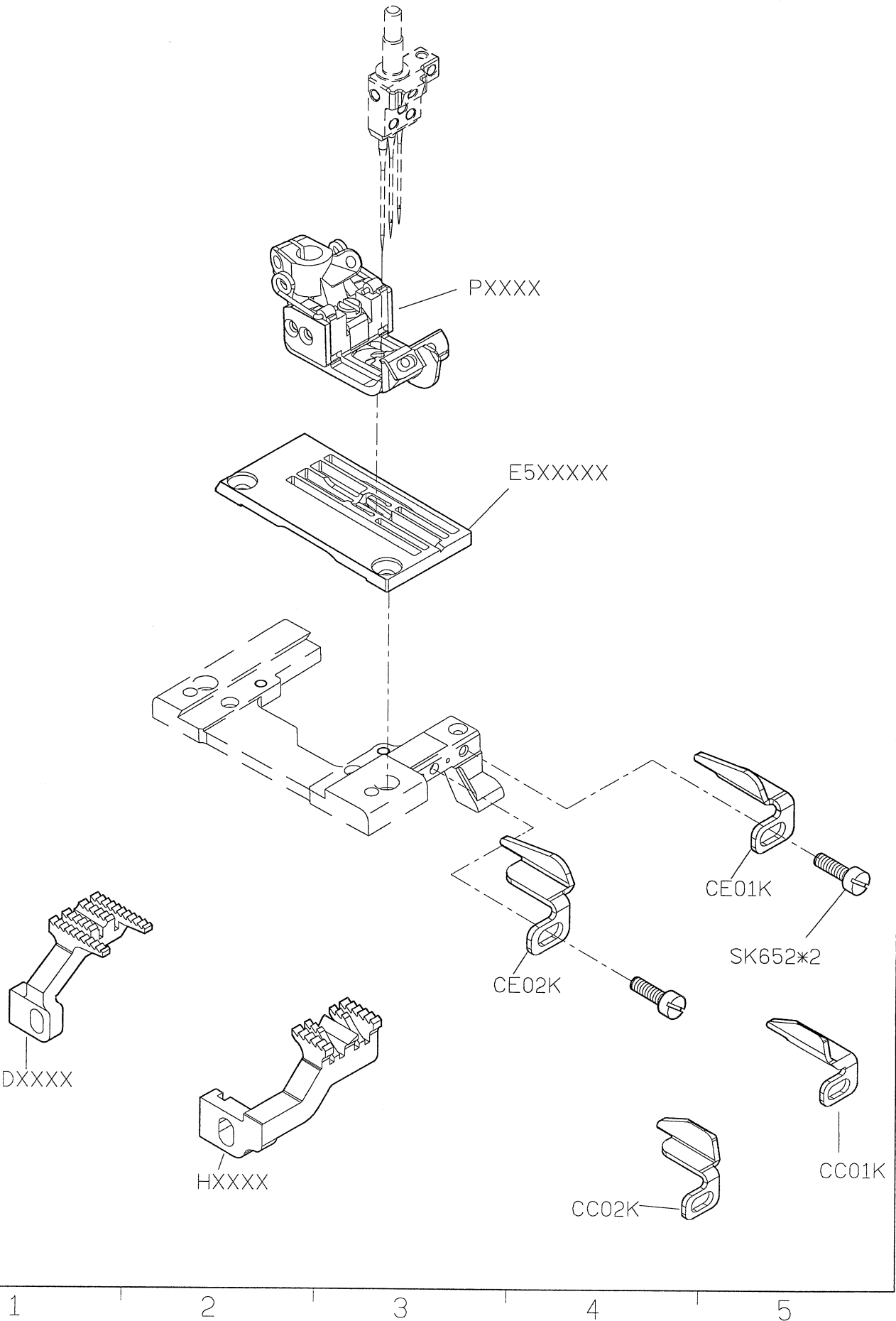
A

B

C

D

E



SIRUBA

PARTS LIST

Series

C007K/C007KD
C858K

Parts Group

CFC-K

Subclass / Remark

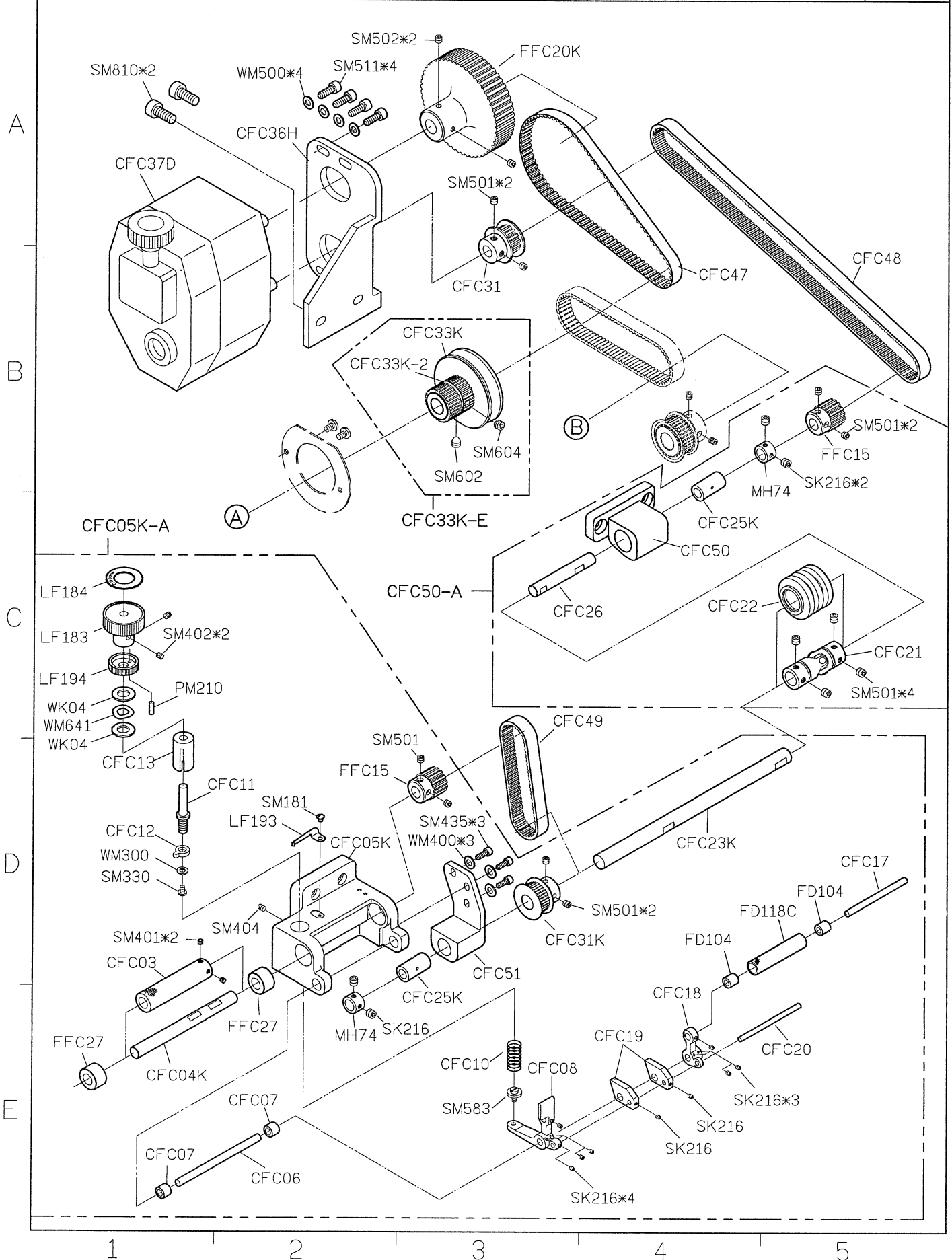
For C007K/C858K

Page

1/4

Date

2016/8/29



SIRUBA

PARTS LIST

Series

C007K/C007KD
C858K

Parts Group

CFC-K

Subclass / Remark

For C007K/C858K

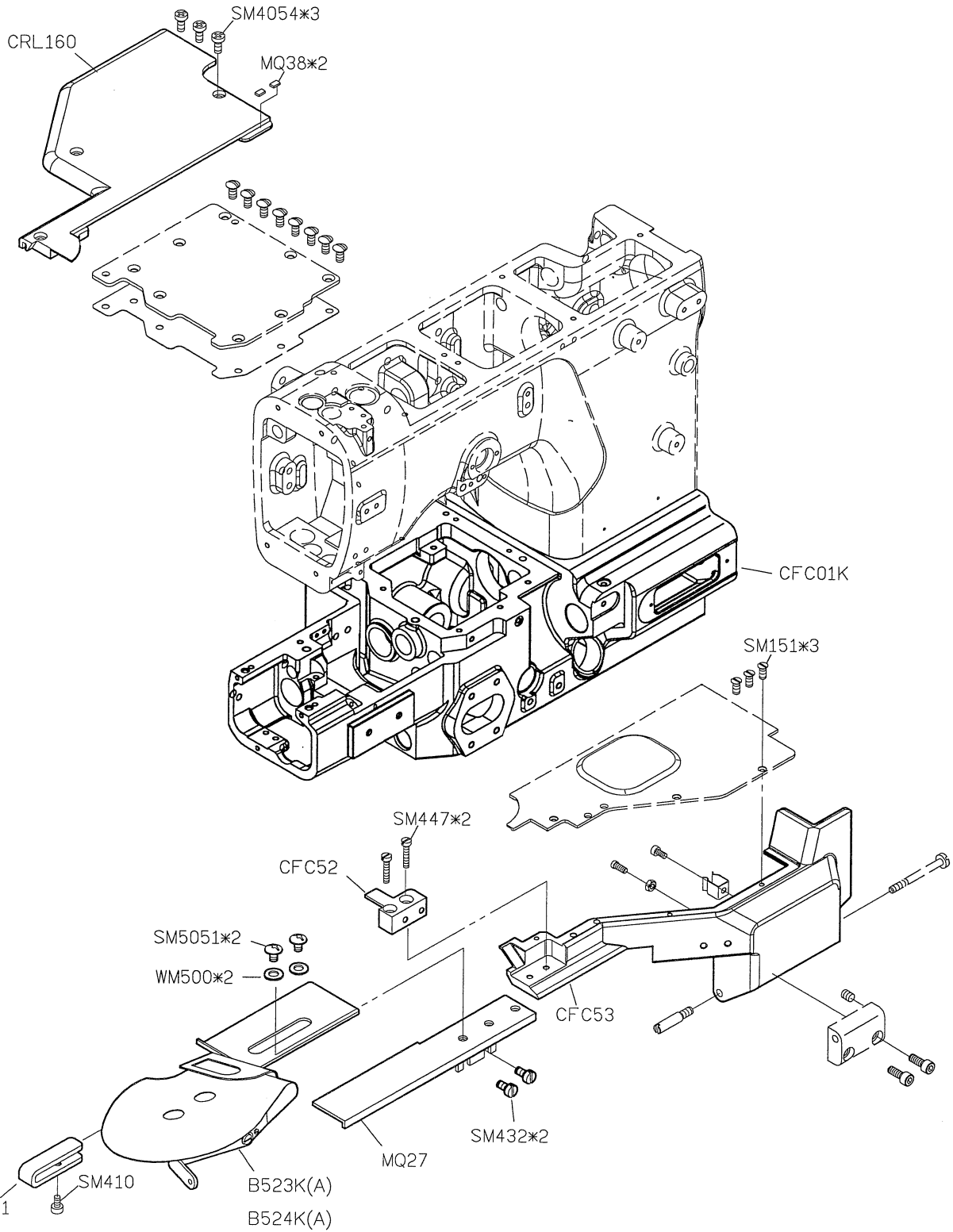
Page

2/4

Date

2016/8/29

A
B
C
D
E



1

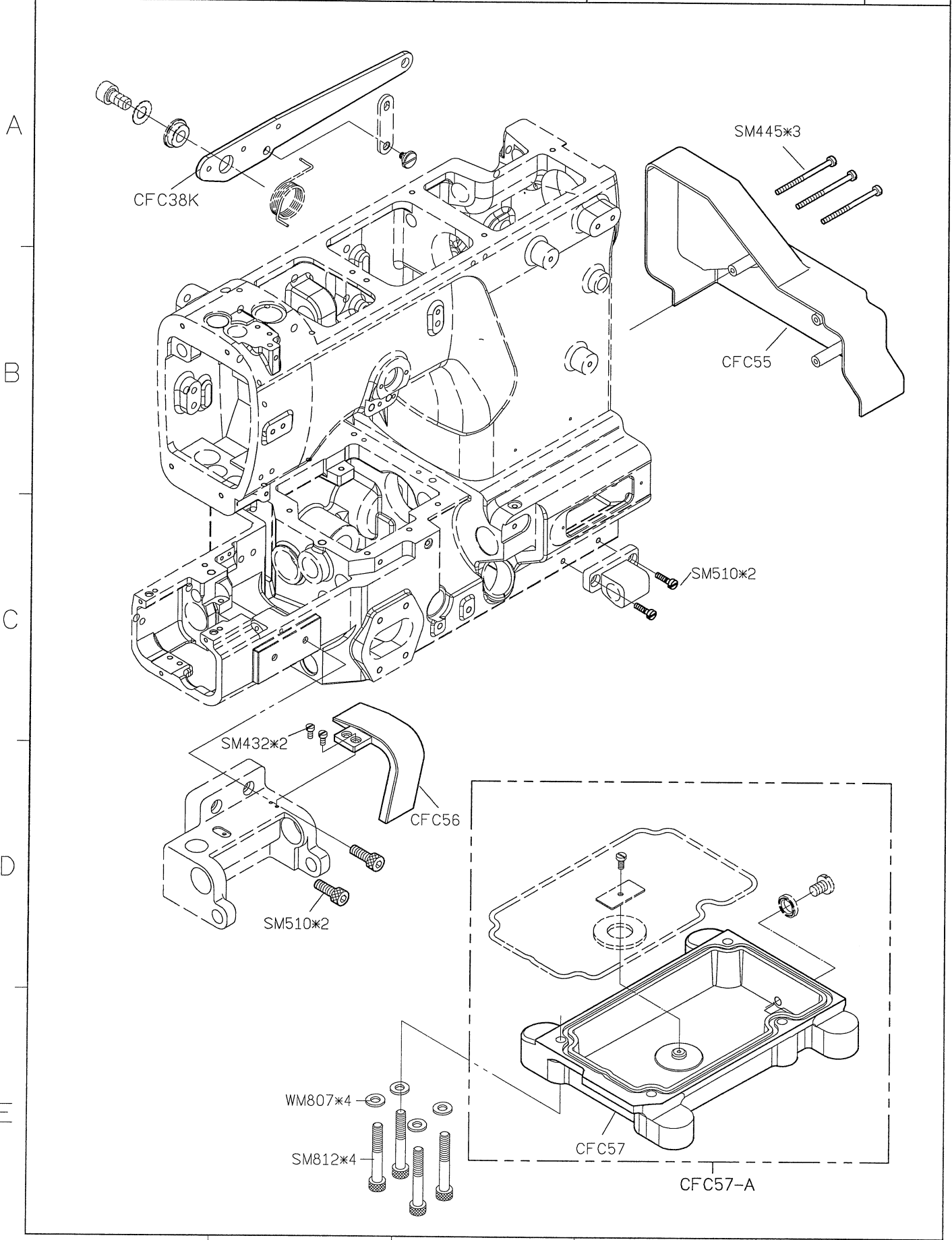
2

3

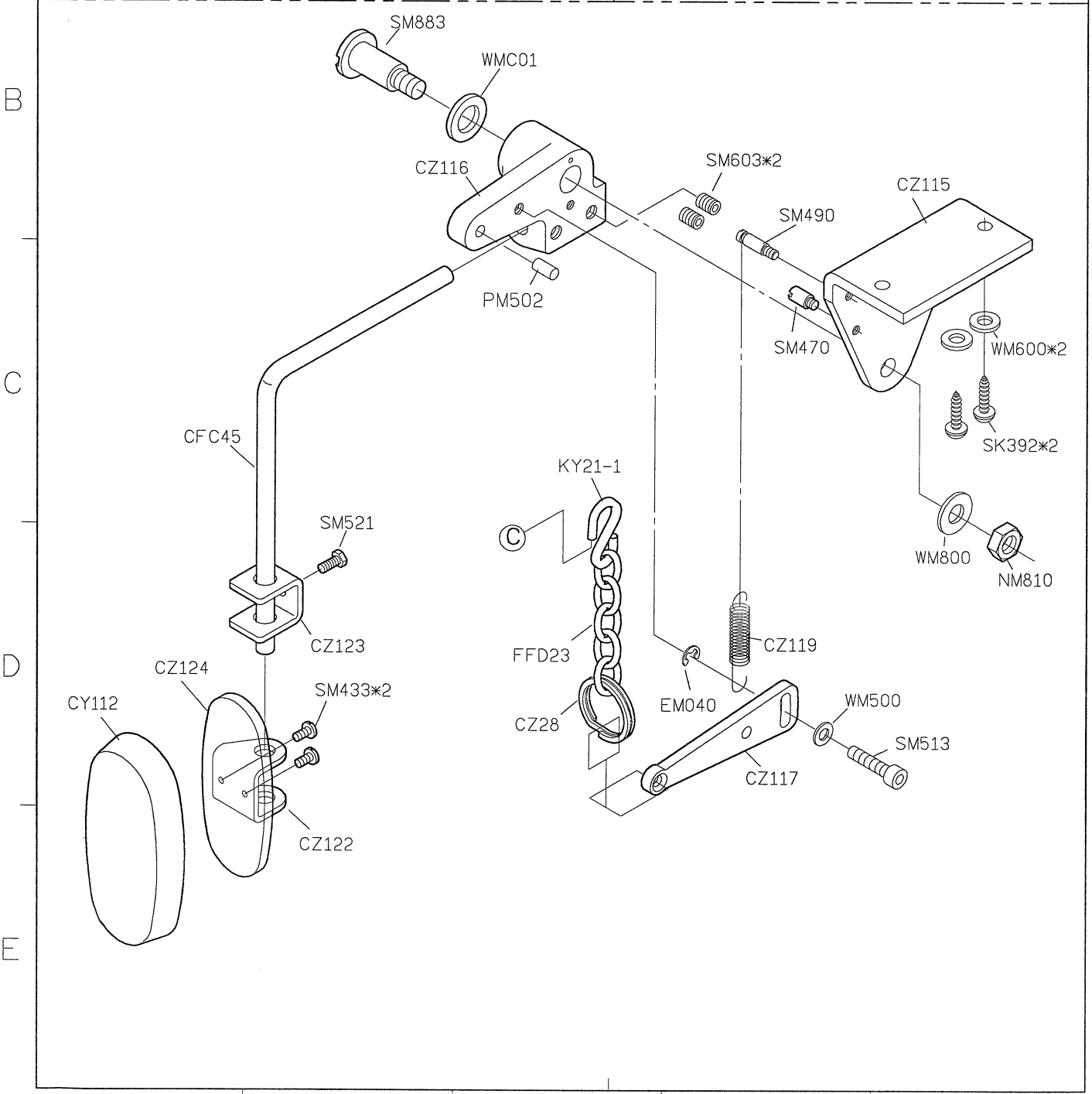
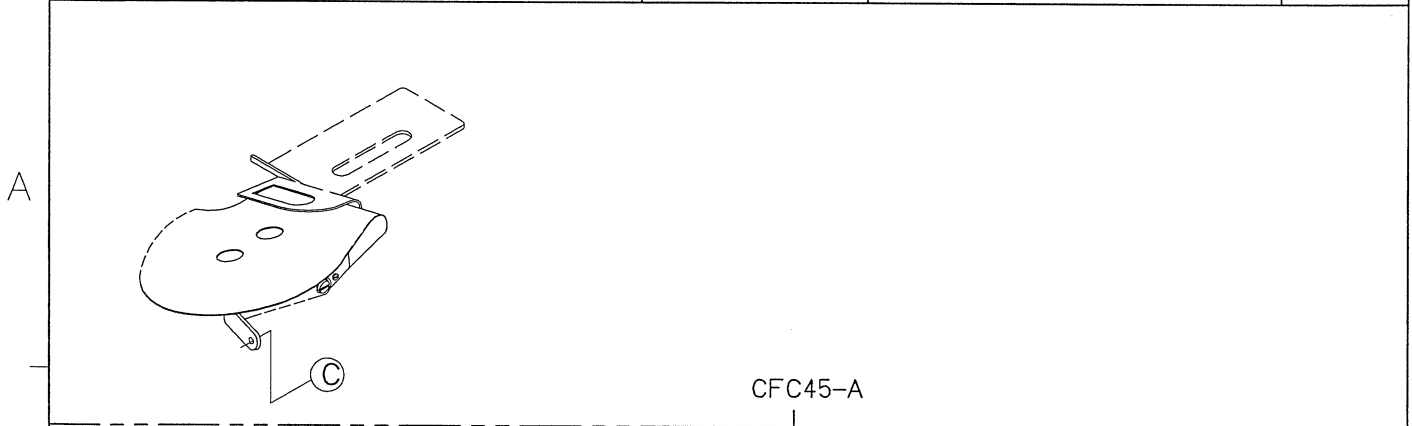
4

5

SIRUBA PARTS LIST	Series	Parts Group	Subclass / Remark	Page
	C007K/C007KD C858K	CFC-K	For C007K/C858K	3/4
				Date
				2016/8/29



SIRUBA PARTS LIST	Series	Parts Group	Subclass / Remark	Page
	C007K/C007KD C858K	CFC-K	For C007K/C858K	4/4
				Date
				2016/8/29



1 2 3 4 5

SIRUBA

PARTS LIST

Series

C007K/C007KD
C858K

Parts Group

CH-3M

Subclass / Remark

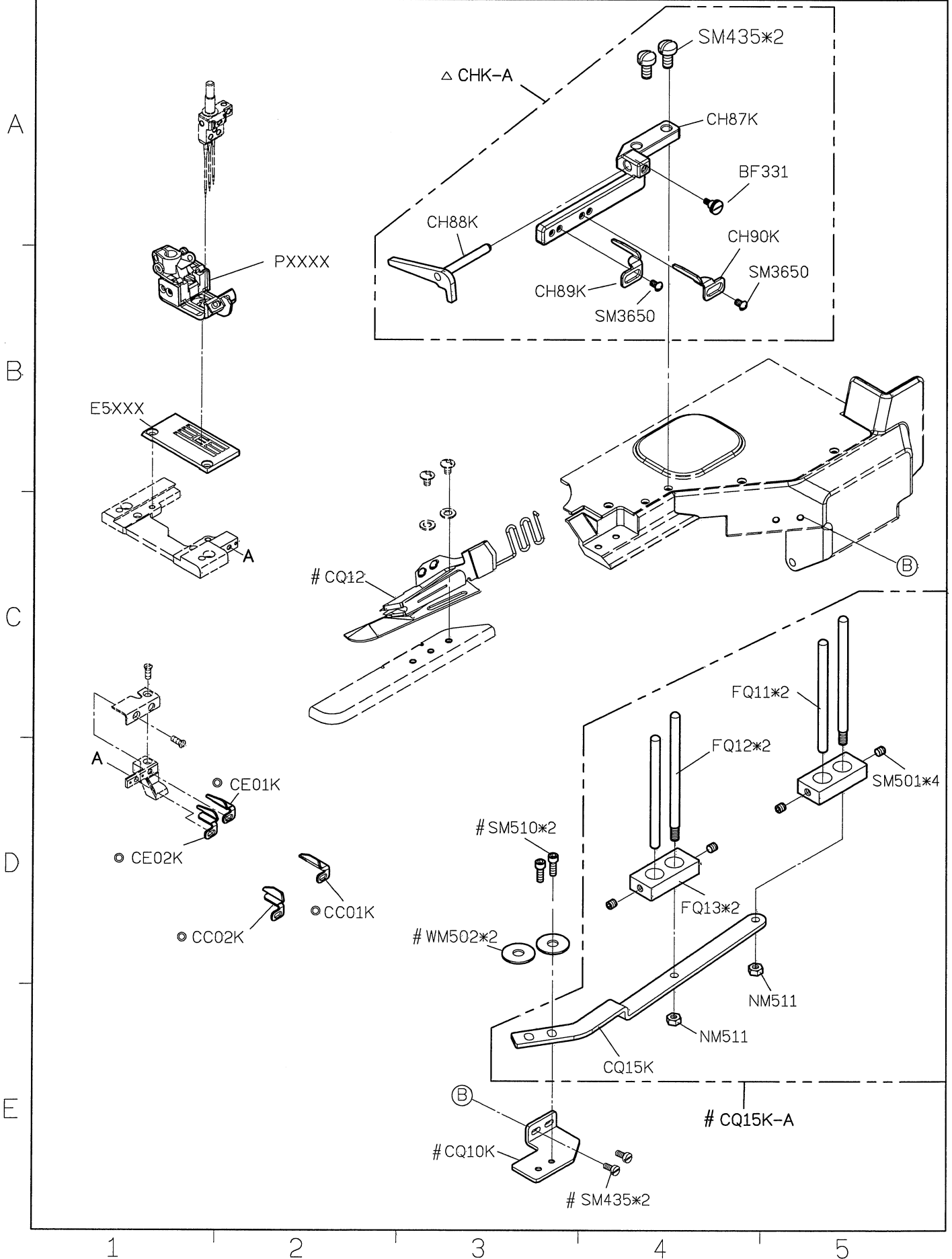
◎ : Use for Three in one CE
: Use for Three in one CQ
△ : Use for Three in one CH

Page

1/1

Date

2016/8/29



SIRUBA

PARTS LIST

Series

C007K/C007KD
C858K

Parts Group

CHK-K

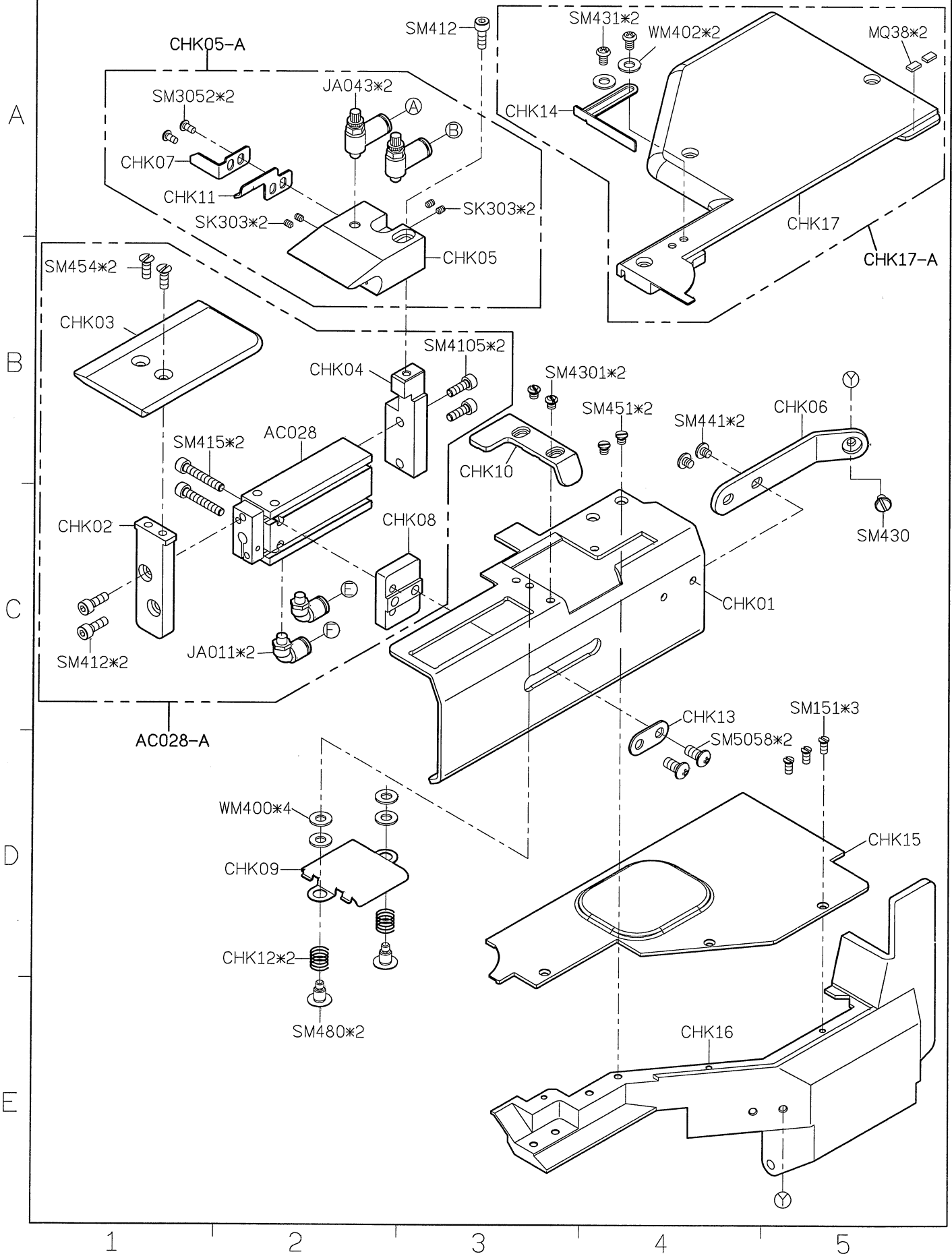
Subclass / Remark

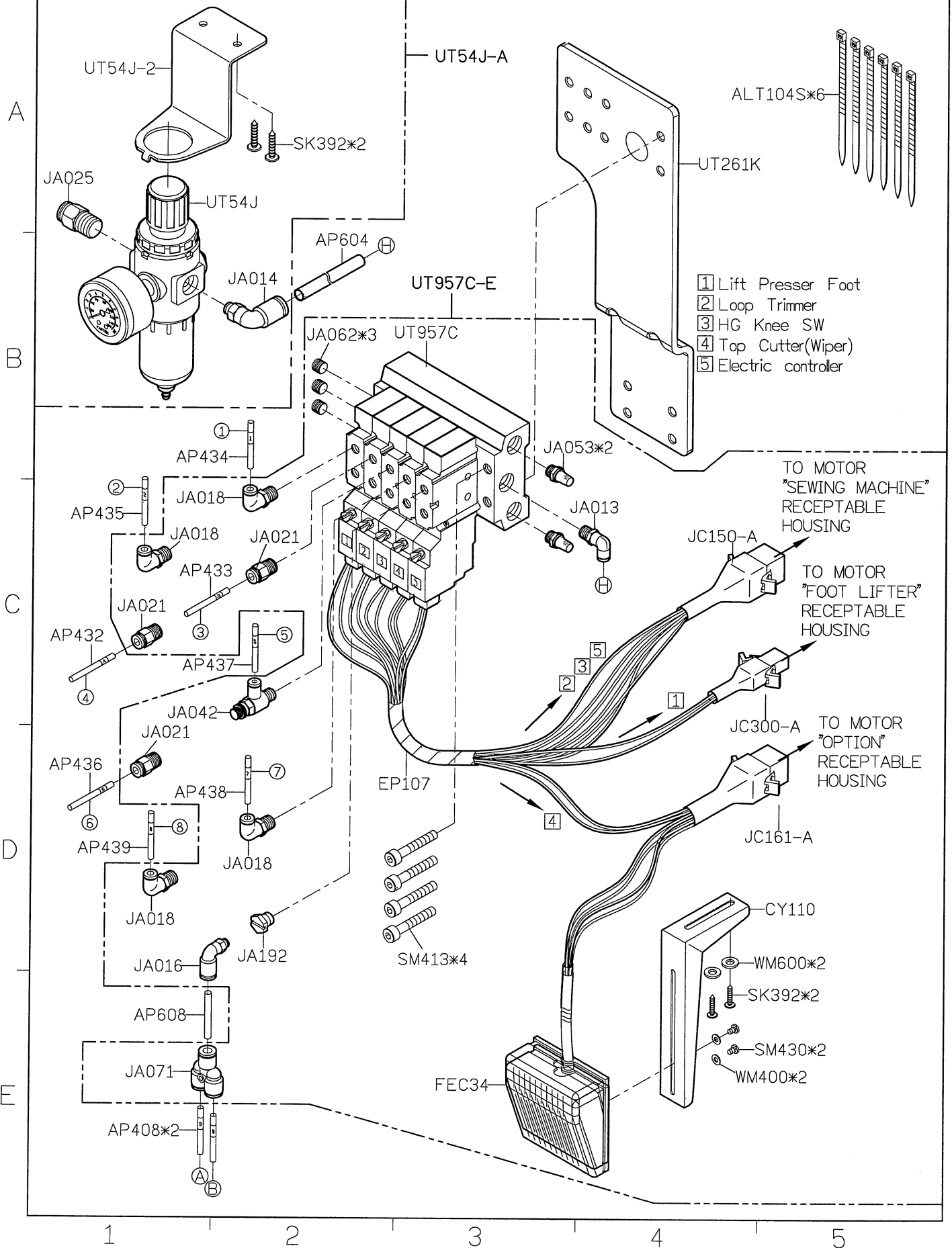
Page

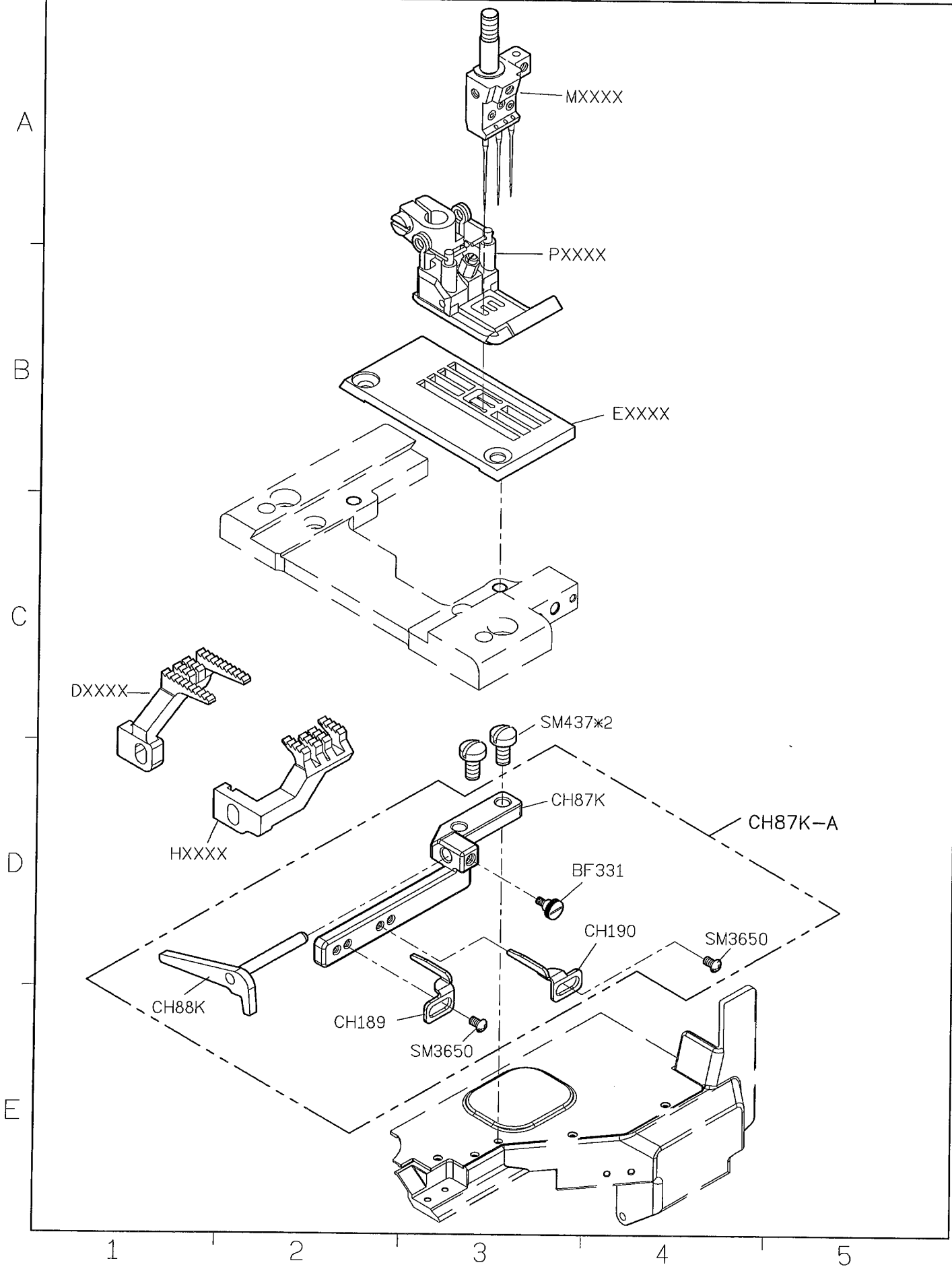
1/2

Date

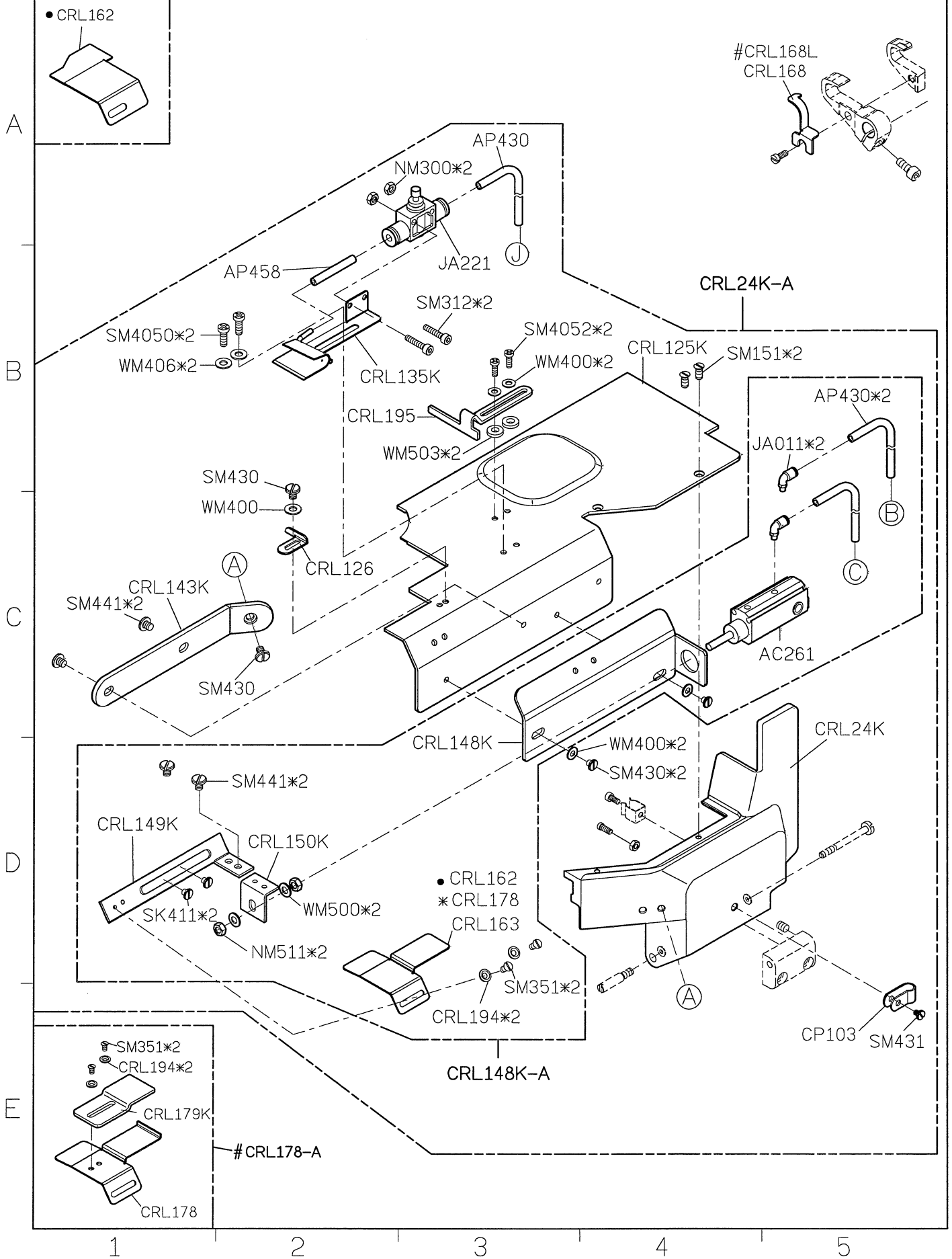
2016/8/31



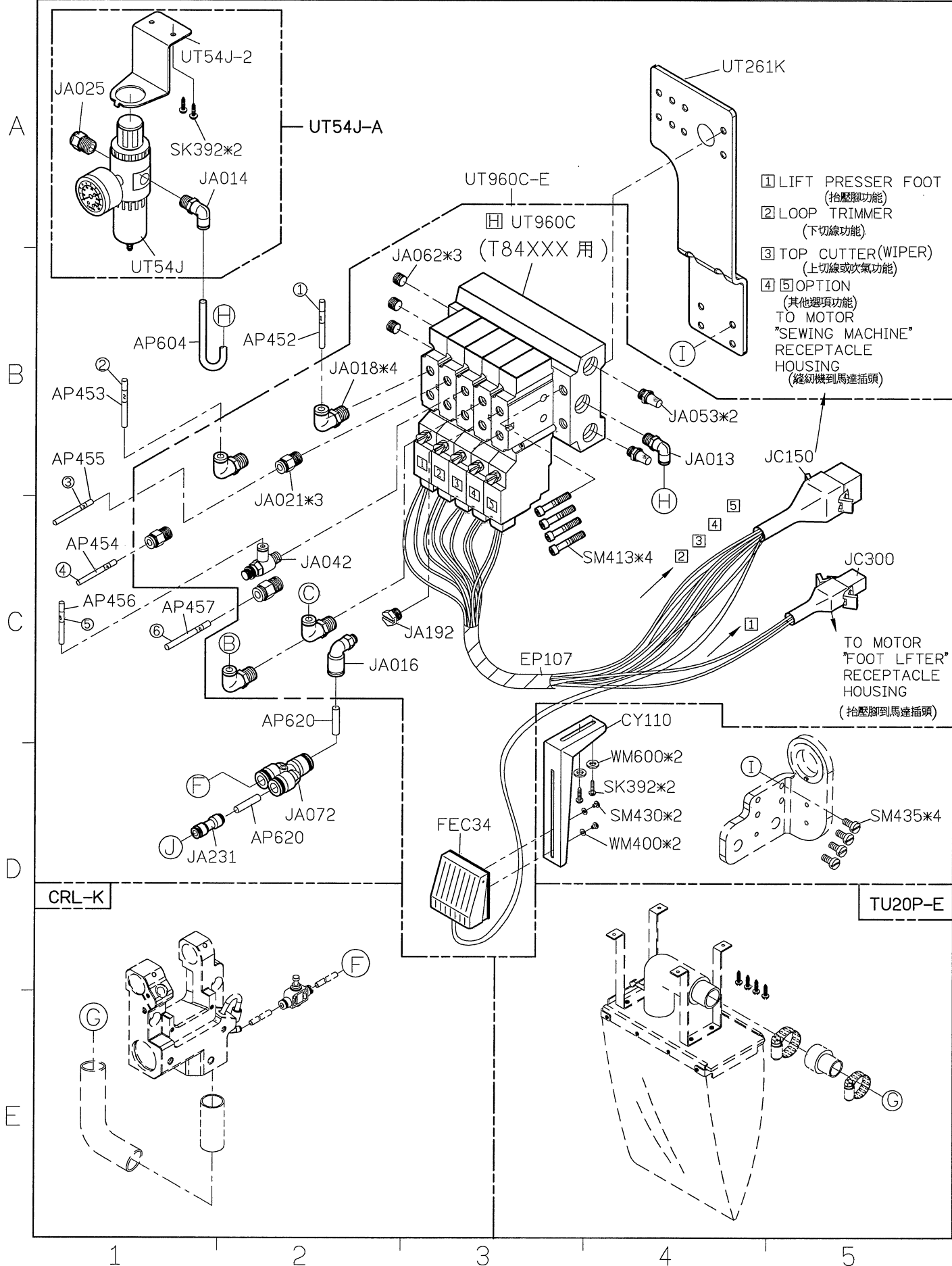




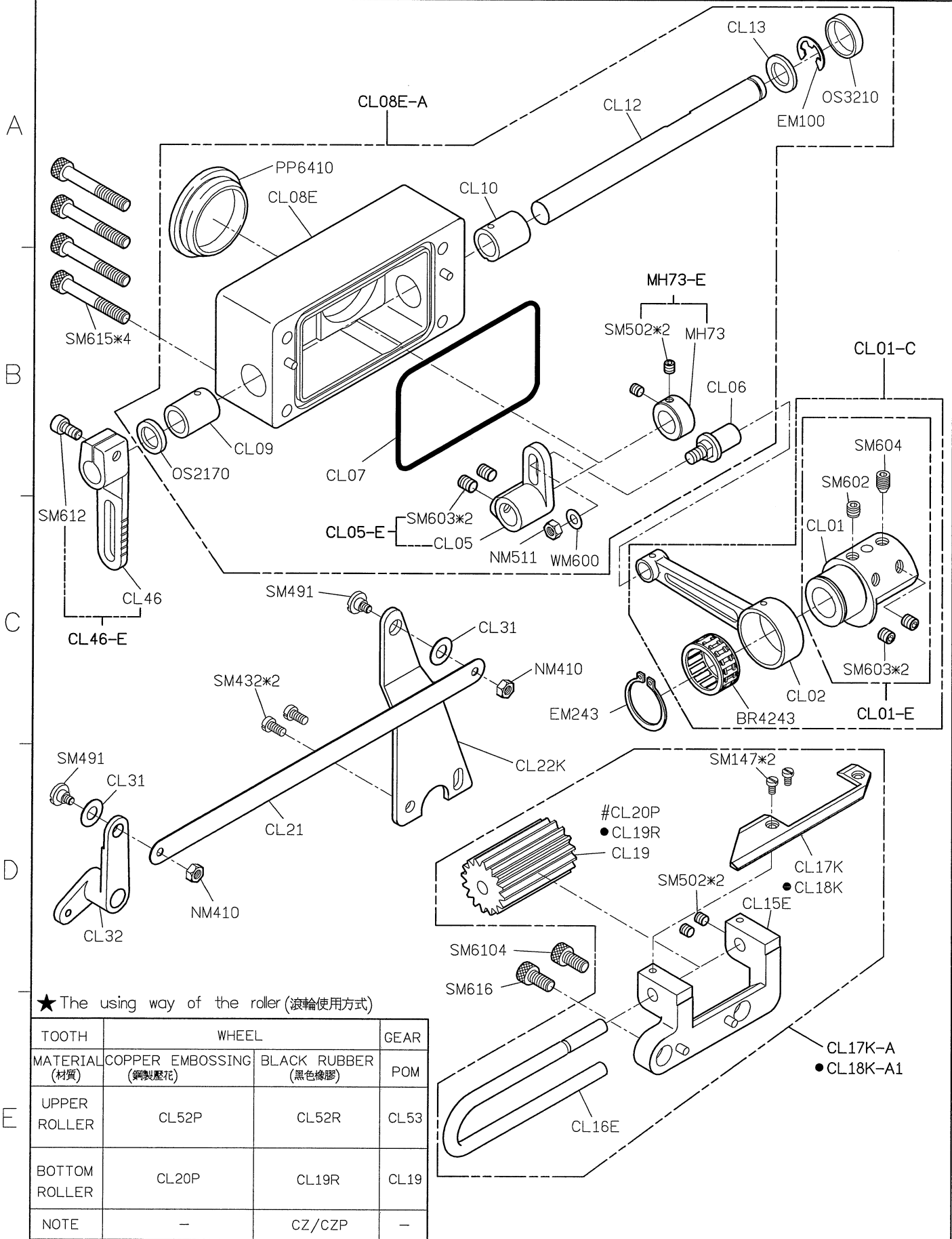
SIRUBA PARTS LIST	Series	Parts Group	Subclass / Remark	Page
	C007K/C007KD C858K	CHP(CY) /UTP-K	Note : Type CHP is collocated with UTP ● : Use for general machine to re-equip # : Use for CY to re-equip	1/2
				Date 2016/8/29



SIRUBA PARTS LIST	Series	Parts Group	Subclass / Remark	Page
	C007K/C007KD C858K	CHP(CY) /UTP-K	[H] : Use for H brand motor	2/2
				Date 2016/8/29



SIRUBA PARTS LIST	Series	Parts Group	Subclass / Remark	Page
	C007K/C007KD C858K	CL(CLA)-K	● : Use for CLA # : Use for allocation	1/2
				Date
				2016/8/29



1

2

3

4

5

SIRUBA

PARTS LIST

Series

C007K/C007KD
C858K

Parts Group

CL(CLA)-K

Subclass / Remark

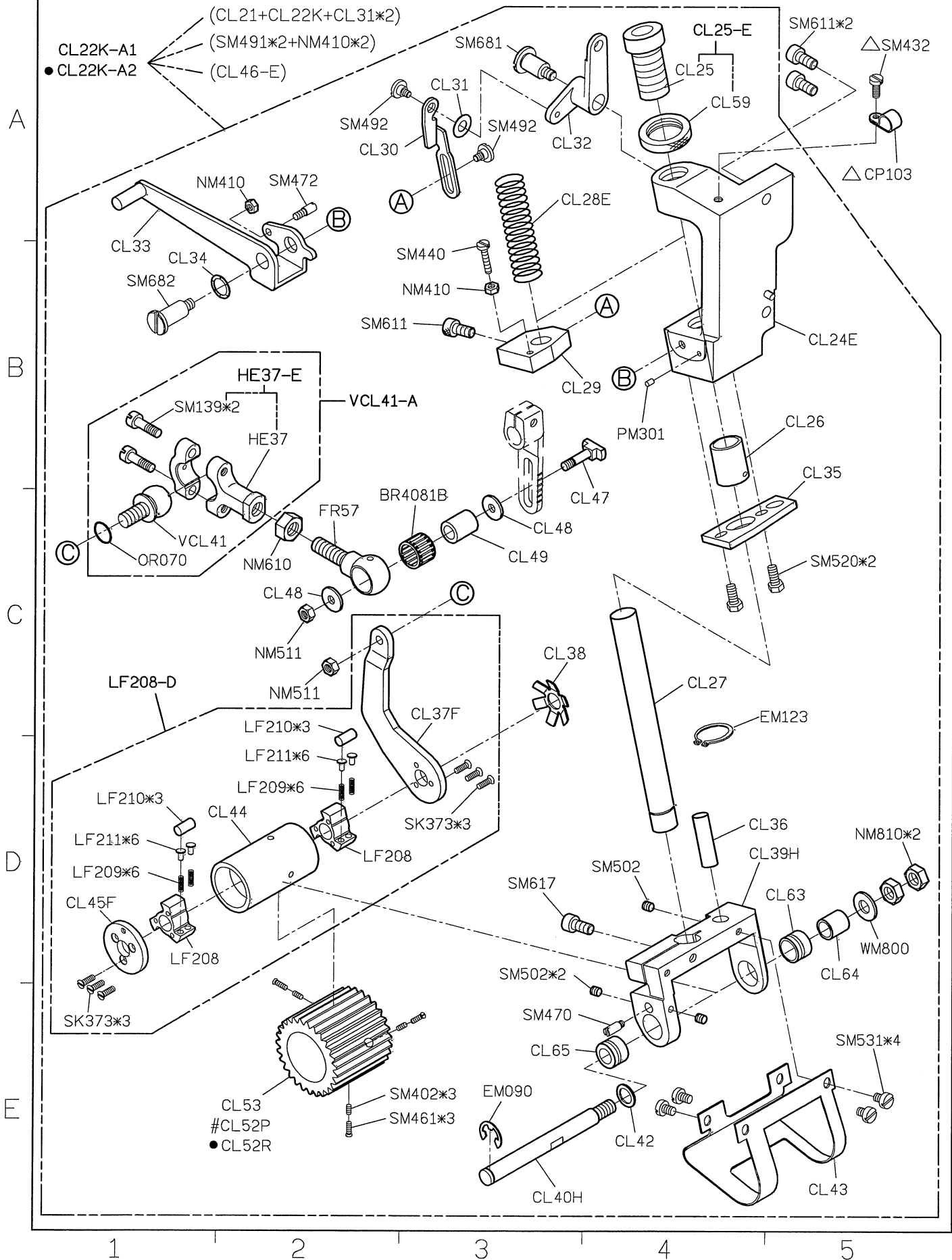
● : Use for CLA
△ : Use for UTP/UTQ
: Use for allocation

Page

2/2

Date

2016/8/29



SiRUBA PARTS LIST	Series	Parts Group	Subclass / Remark	Page
	C007K/C007KD	CMR-K		1/1
	C858K			Date
	S007K/S007KD			2016/8/29

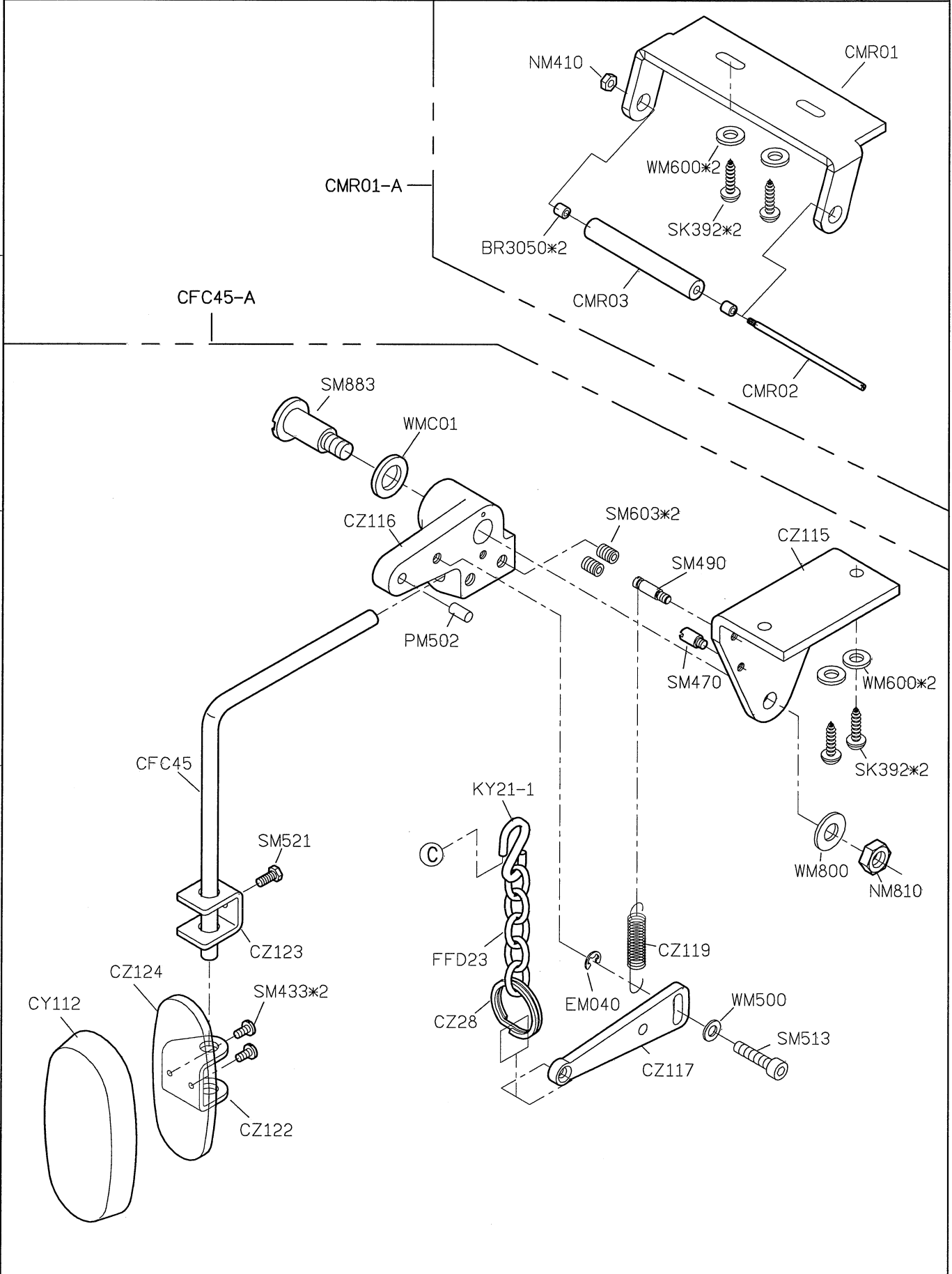
A

B

C

D

E



1

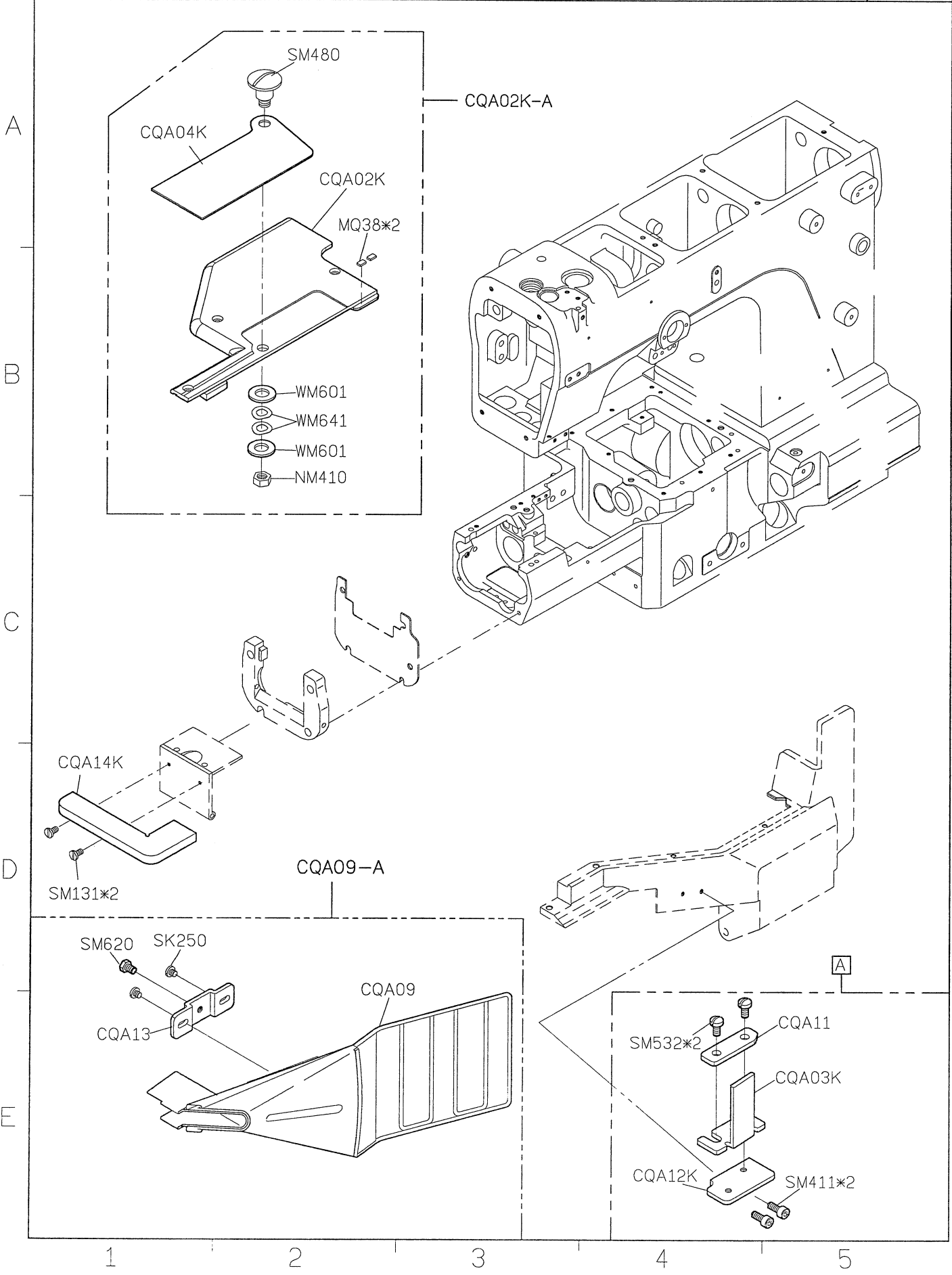
2

3

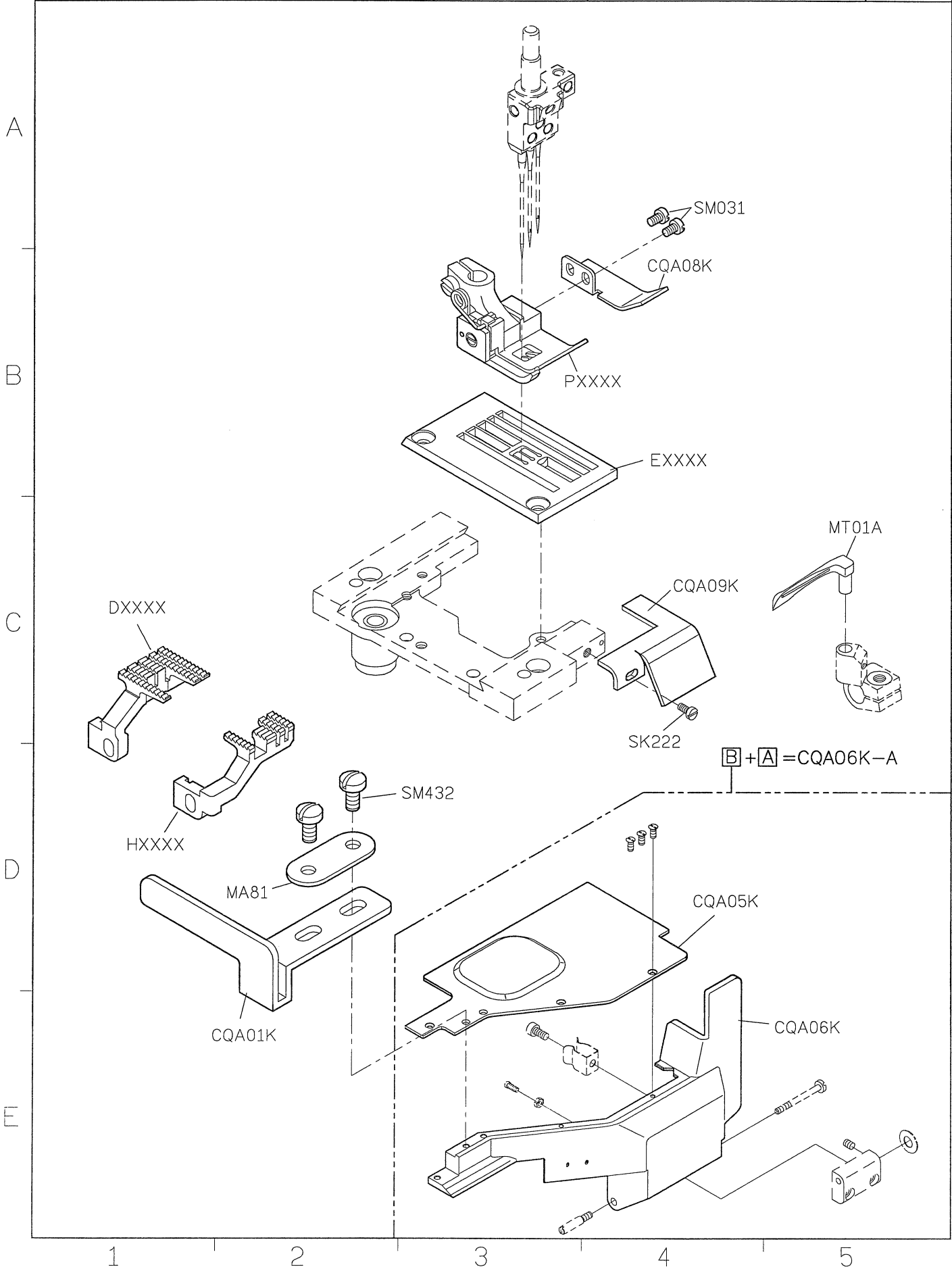
4

5

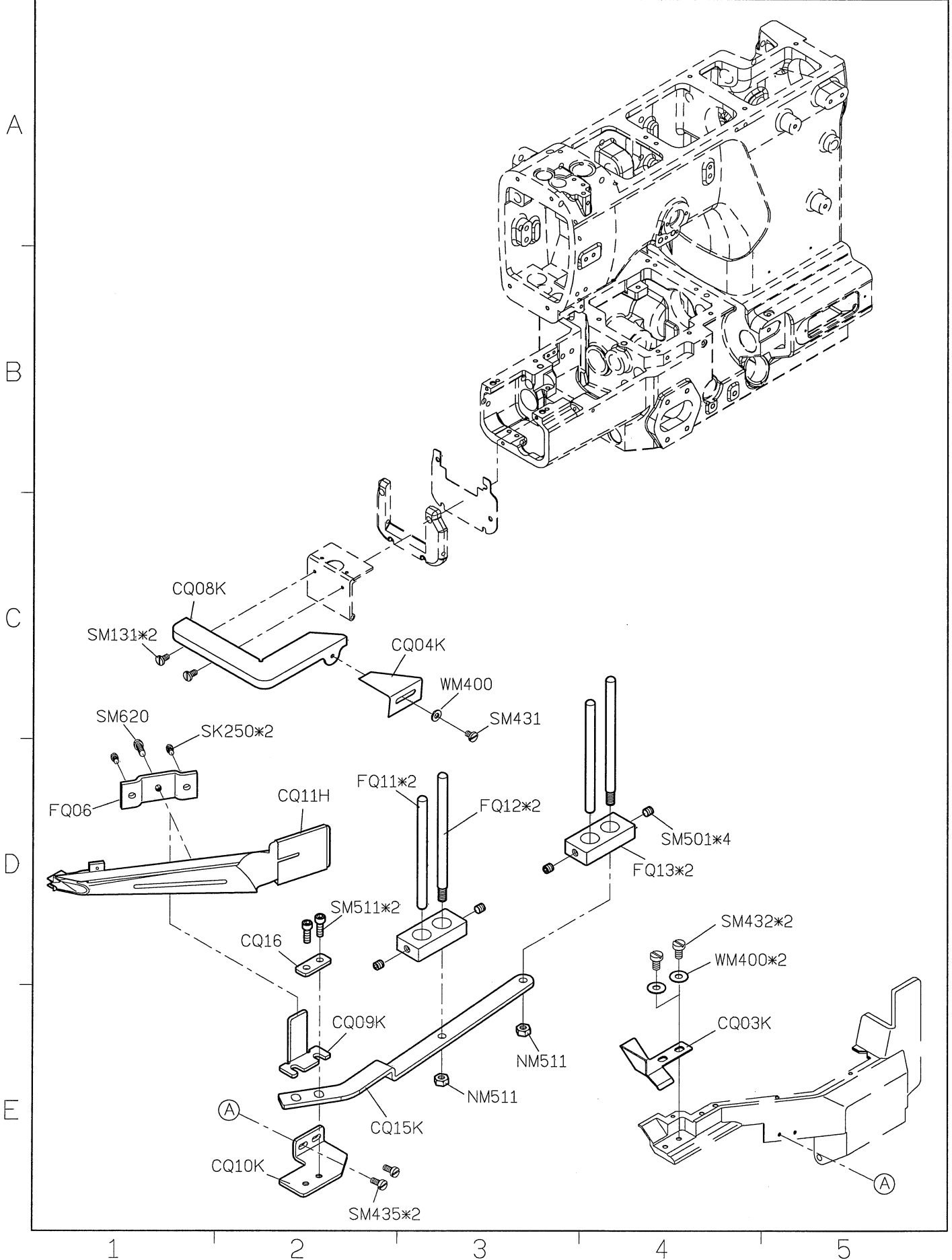
SIRUBA PARTS LIST	Series	Parts Group	Subclass / Remark	Page
	C007K/C007KD C858K	CQA-K		1/2
				Date
				2016/8/29



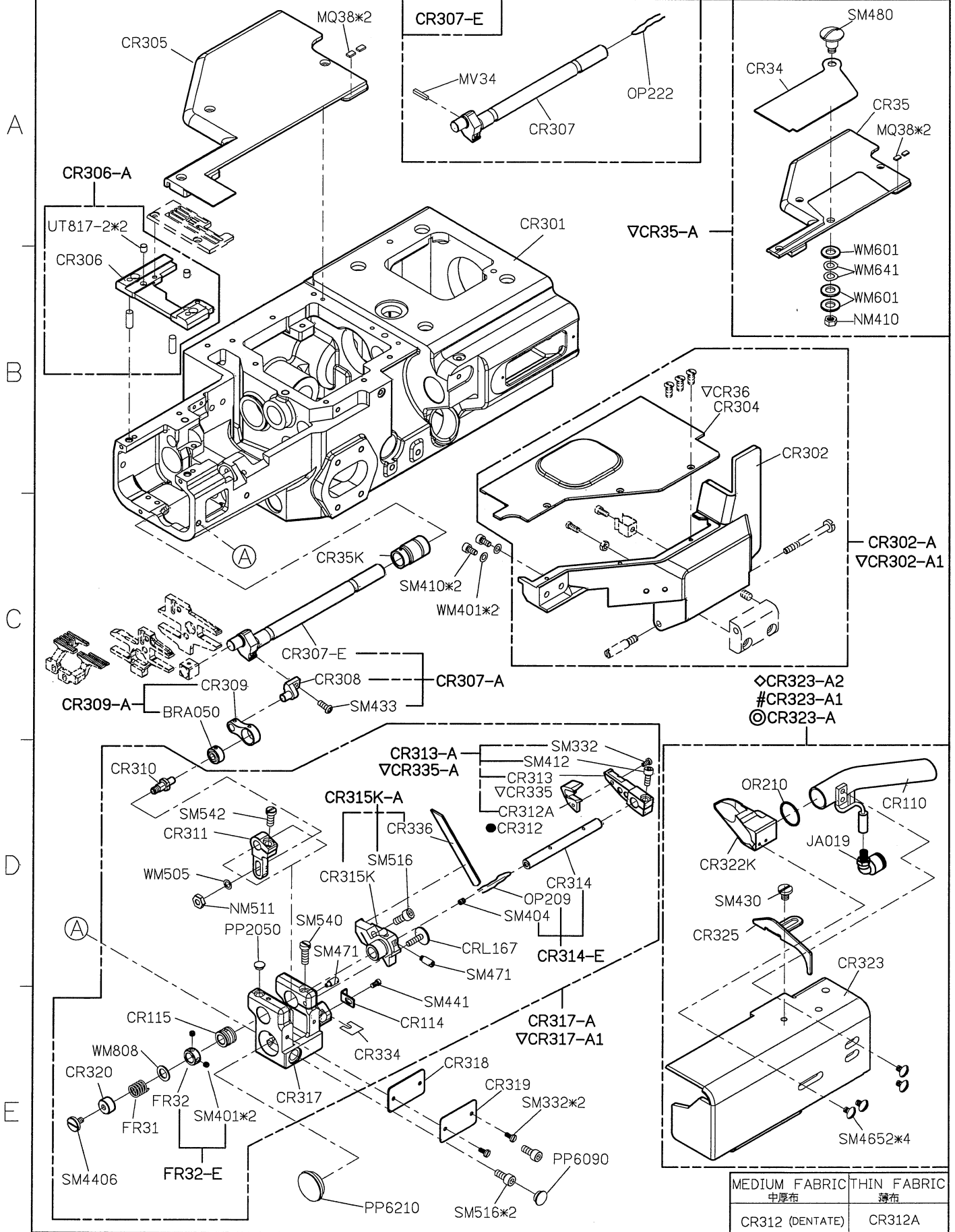
SIRUBA PARTS LIST	Series	Parts Group	Subclass / Remark	Page
	C007K/C007KD C858K	CQA-K		2/2
				Date
				2016/8/29



SiRUBA PARTS LIST	Series	Parts Group	Subclass / Remark	Page
	C007K/C007KD C858K	CQ-K		1/1
				Date
				2016/8/29



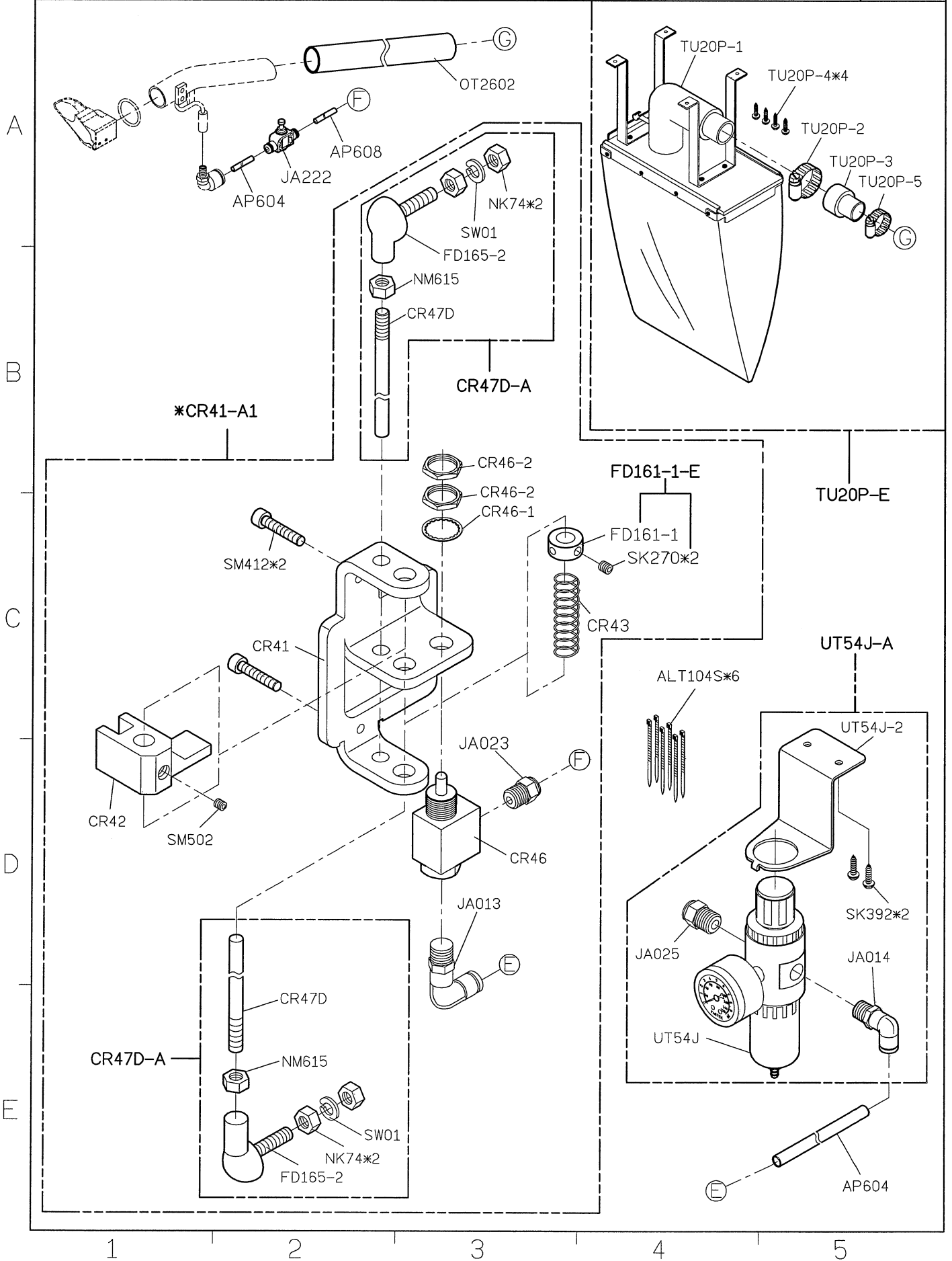
SIRUBA PARTS LIST	Series	Parts Group	Subclass / Remark	Page
	C007K/C007KD C858K	CR-K	◇ : Use for Basic CR # : Use for CX ◎ : Use for CR/CX ▽ : Use for attach FFC ● : Use for allocation	1/3
			Date	2016/8/29



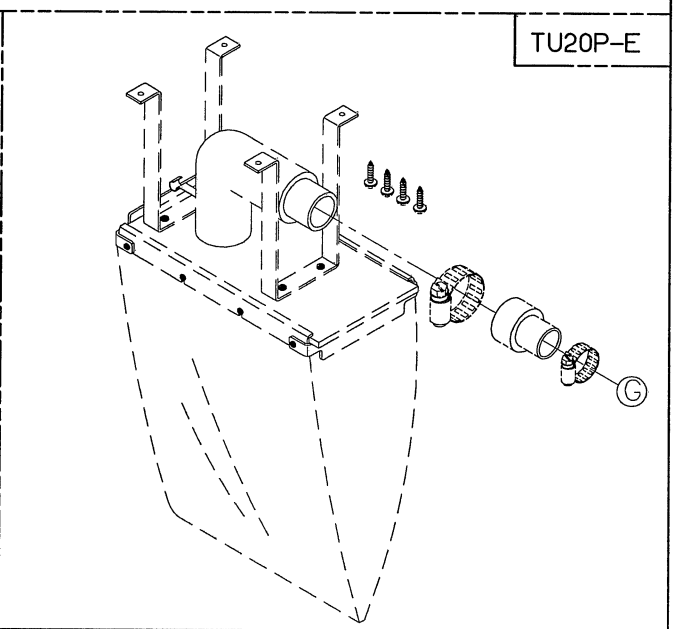
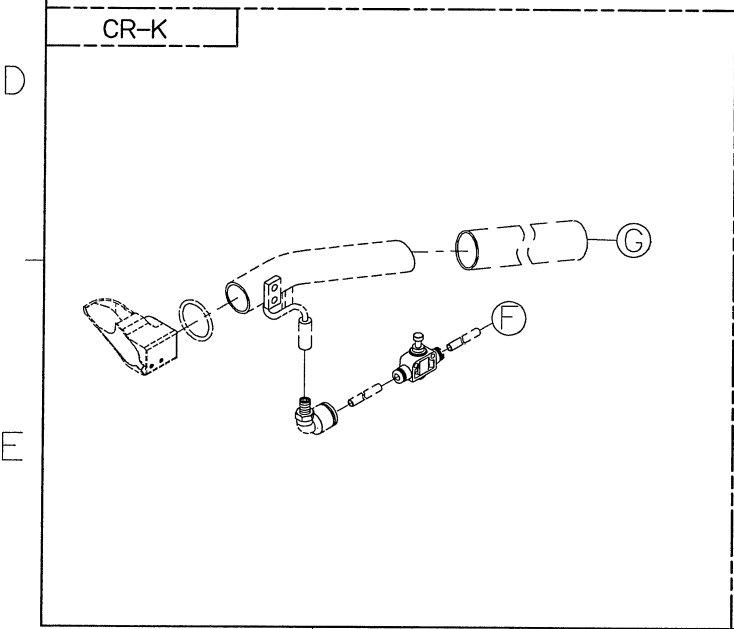
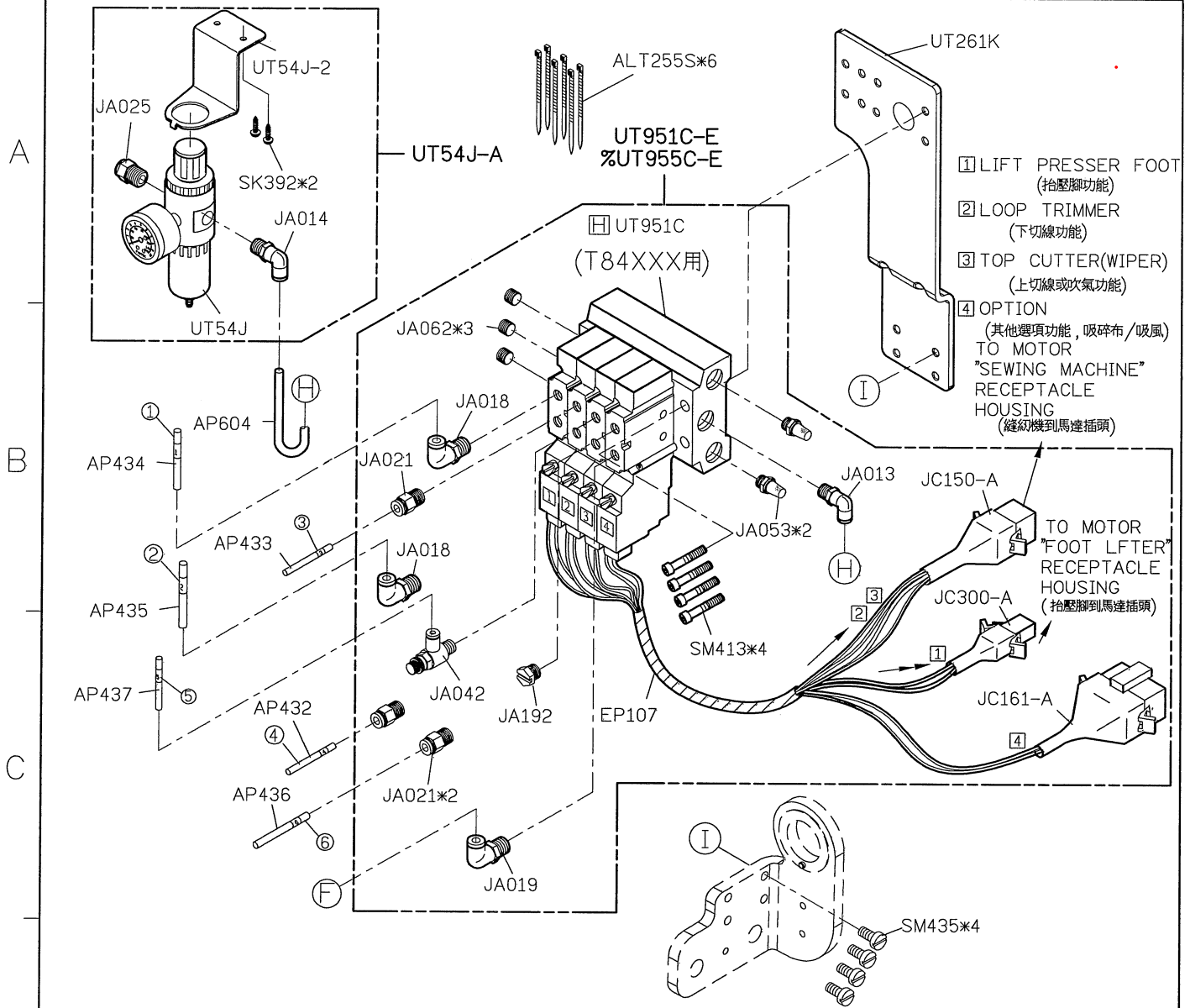
MEDIUM FABRIC 中厚布	THIN FABRIC 薄布
CR312 (DENTATE)	CR312A

1 2 3 4 5

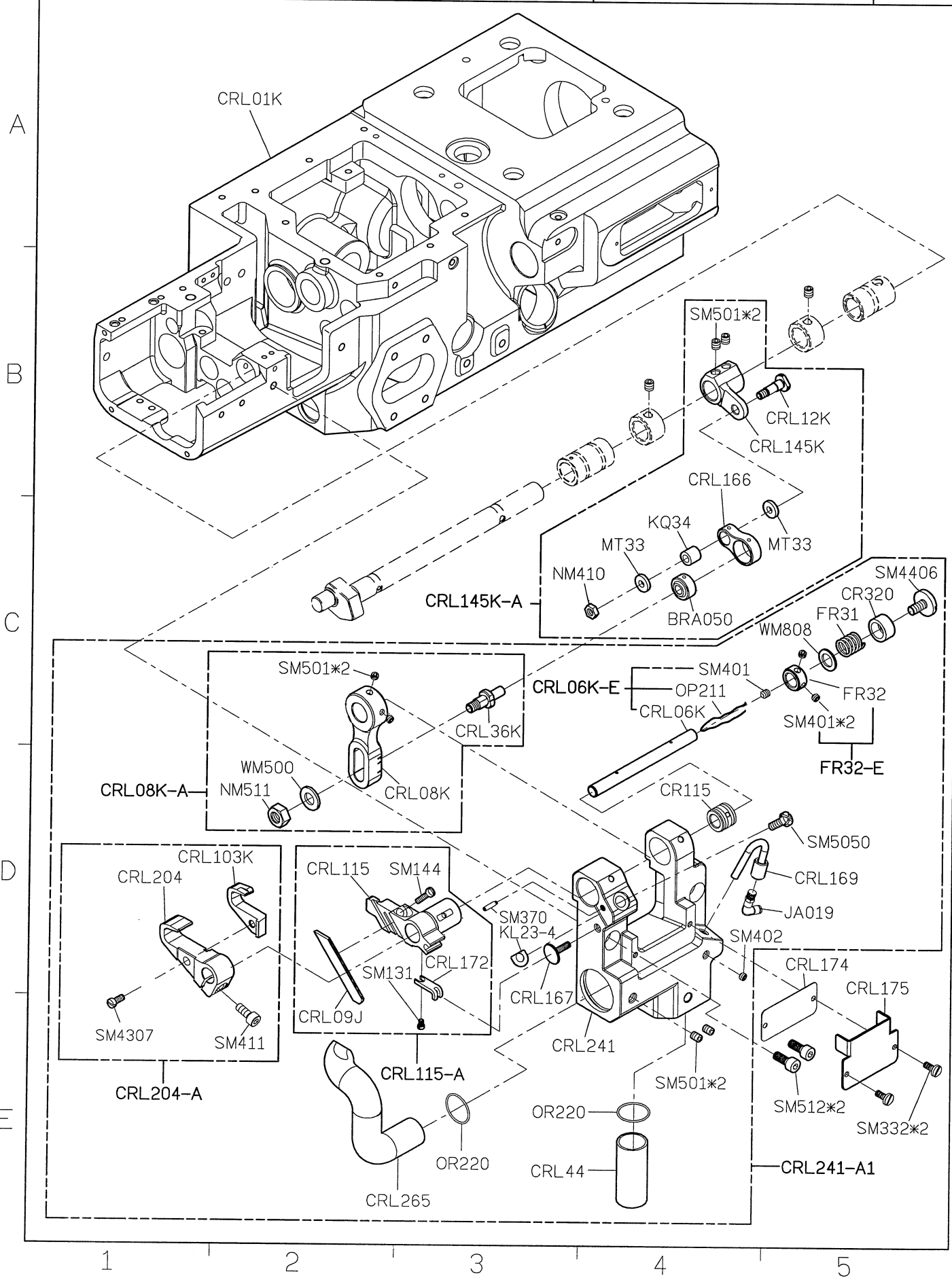
SIRUBA PARTS LIST	Series	Parts Group	Subclass / Remark	Page
	C007K/C007KD C858K	CR-K	* : UTP/UTQ is not collocatrec with	2/3
				Date 2016/8/29



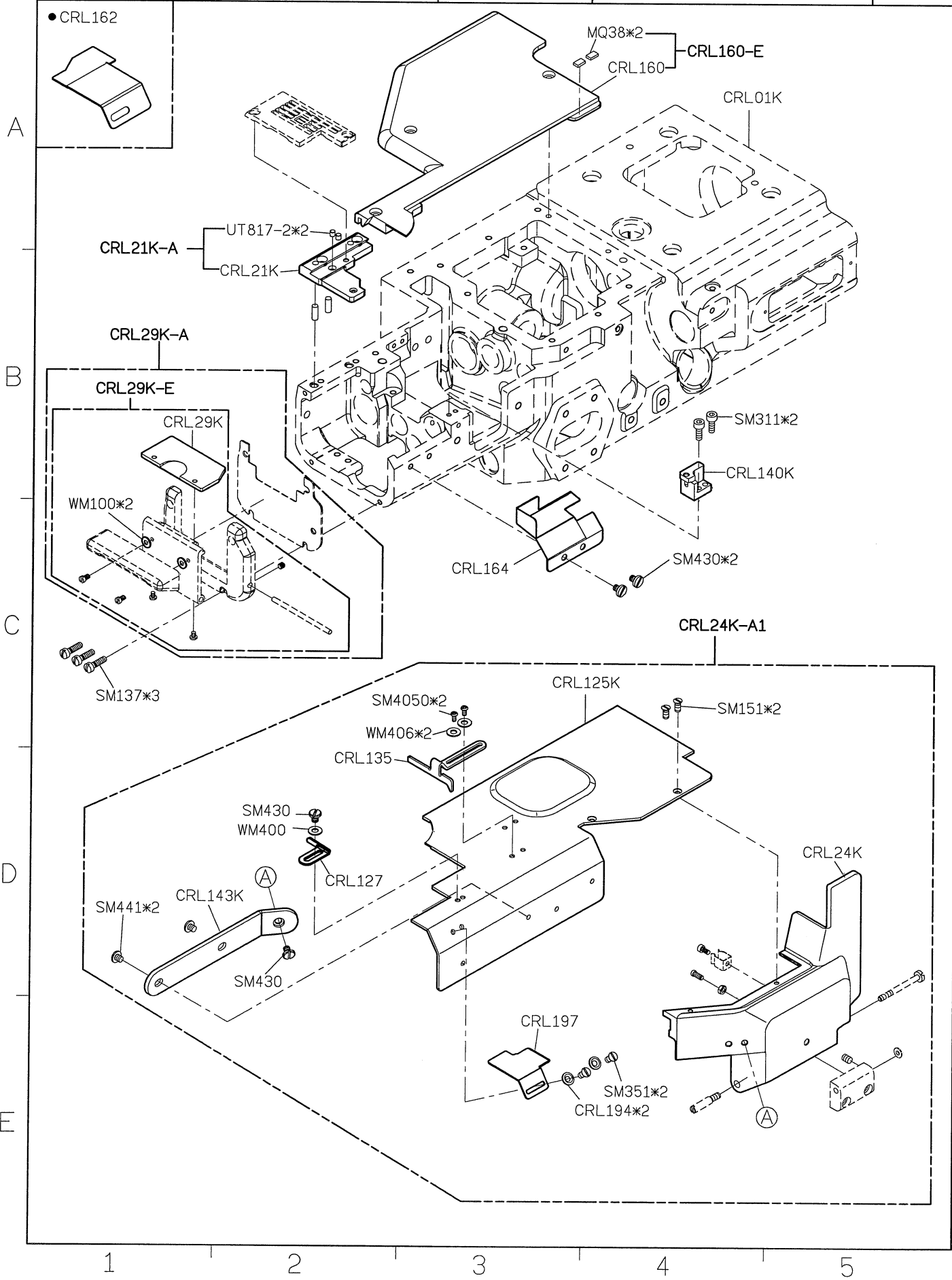
SIRUBA PARTS LIST	Series	Parts Group	Subclass / Remark	Page
	C007K/C007KD C858K	CR-K	□: Use for H brand motor % : Use for C007KD-CR(CX)	3/3
				Date
				2016/8/29



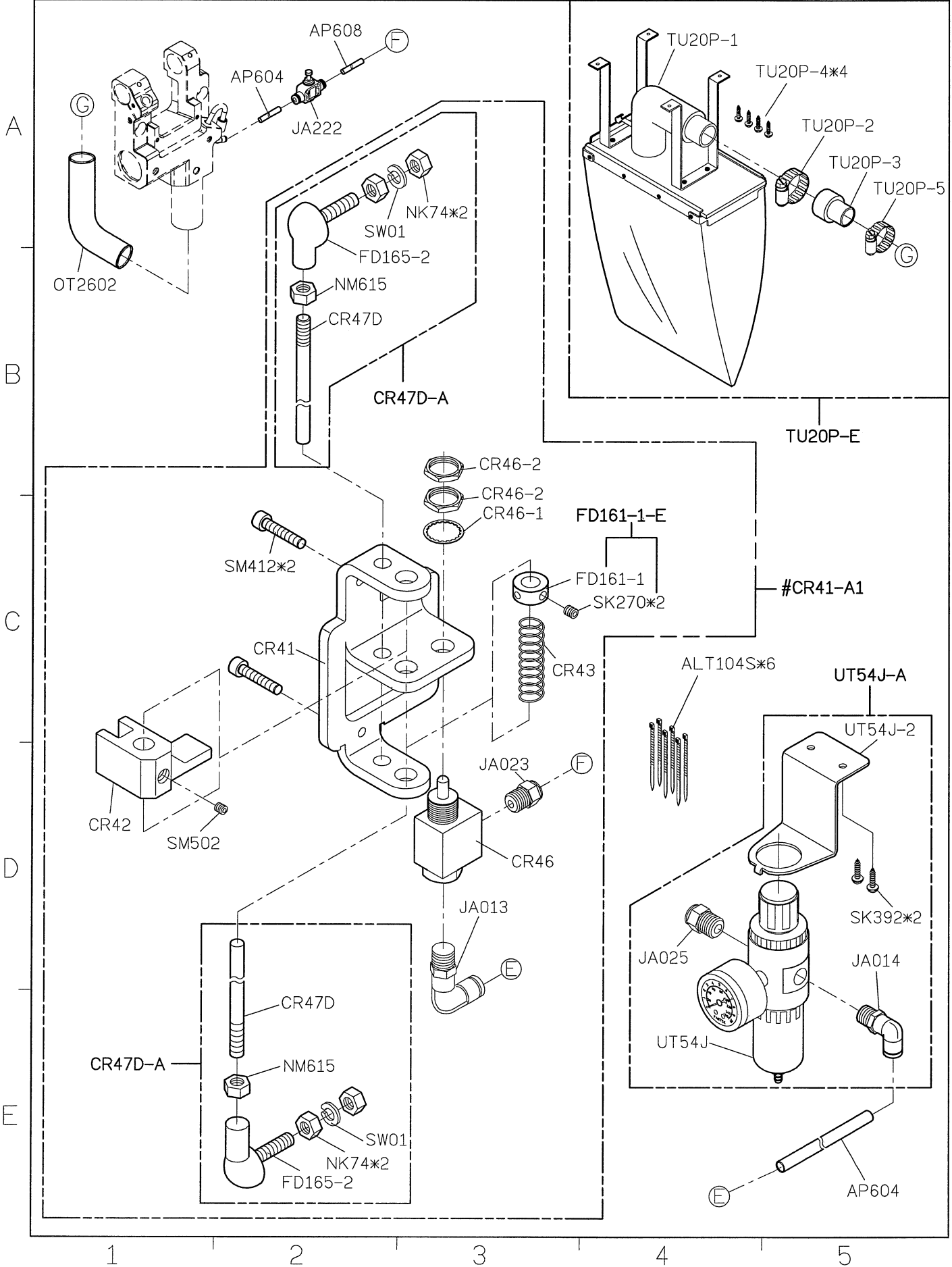
SIRUBA PARTS LIST	Series	Parts Group	Subclass / Remark	Page
	C007K/C007KD C858K	CRL-K		1/4
				Date
				2016/8/29



SIRUBA PARTS LIST	Series	Parts Group	Subclass / Remark	Page
	C007K/C007KD C858K	CRL-K	• : Use for general machine to re-equip	2/4
				Date
				2016/8/29



SIRUBA PARTS LIST	Series	Parts Group	Subclass / Remark	Page
	C007K/C007KD C858K	CRL-K	# : UTP/UTQ is not collocatec with	3/4
				Date
				2016/8/29



1

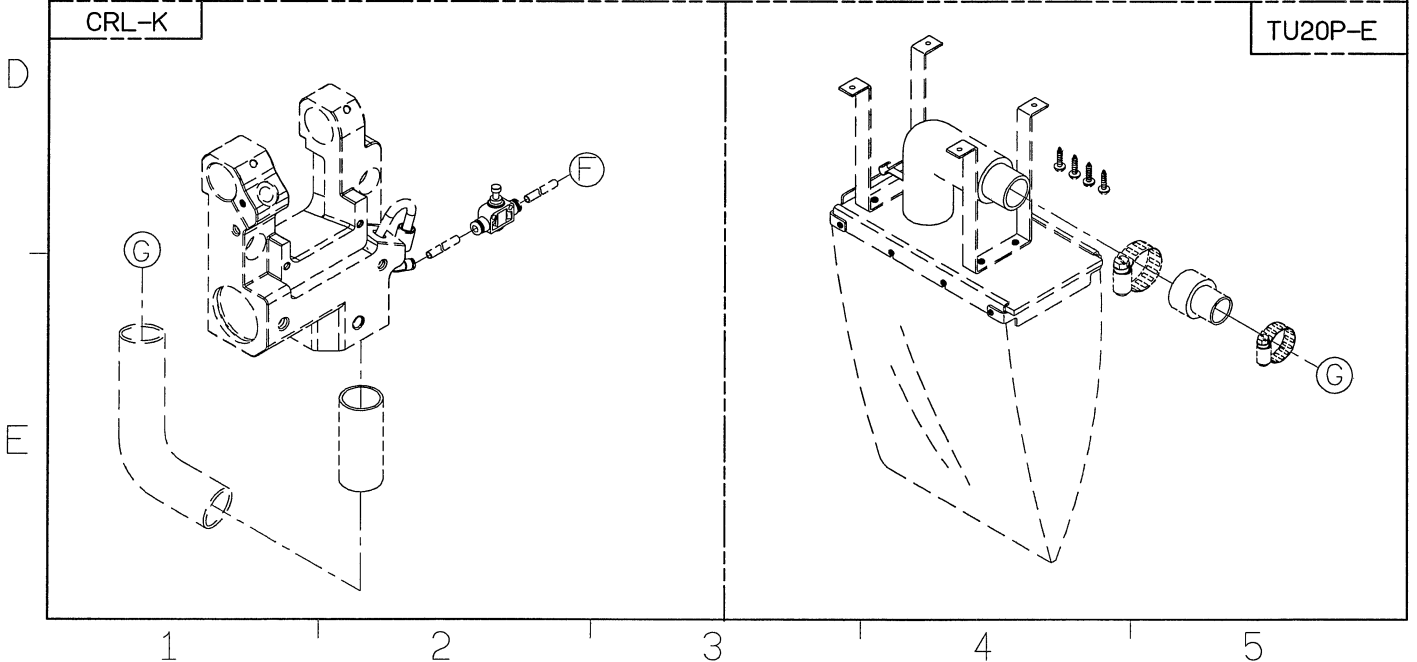
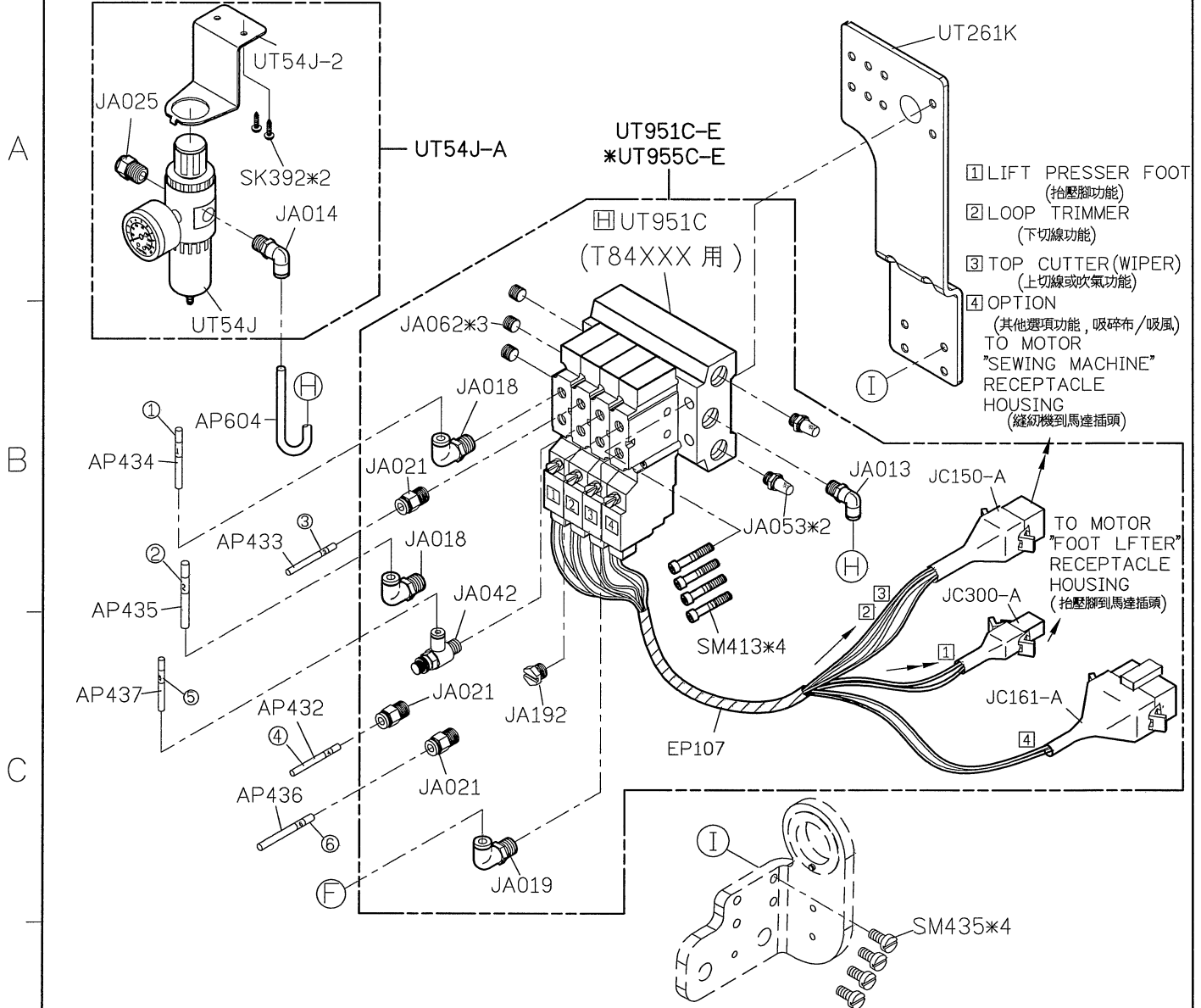
2

3

4

5

SIRUBA PARTS LIST	Series	Parts Group	Subclass / Remark	Page
	C007K/C007KD C858K	CRL-K	[H] Use for H brand motor(HVP-20) * : Use for C007KD-CRL	4/4
				Date
				2016/8/29



SIRUBA

PARTS LIST

Series

C007K/C007KD
C858K

Parts Group

CW-K

Subclass / Remark

Page

1/4

Date

2016/8/29

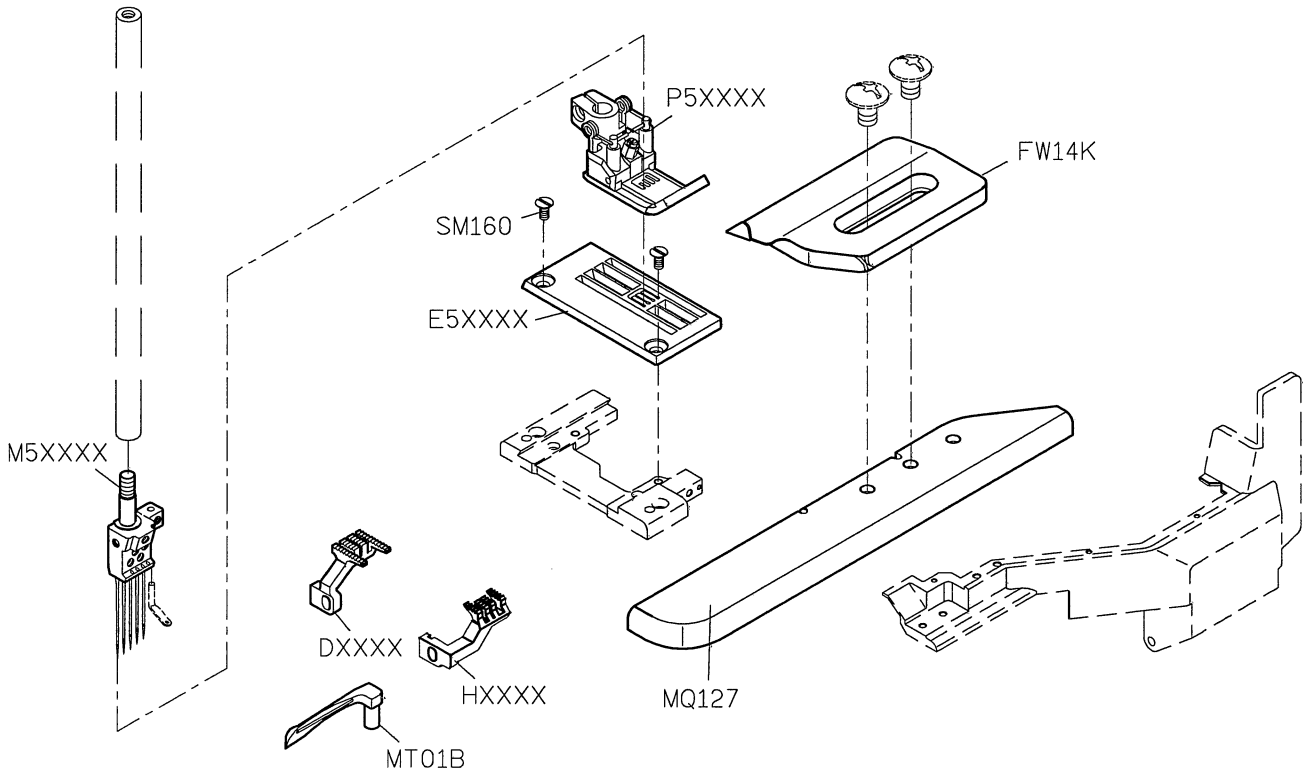
A

B

C

D

E



1

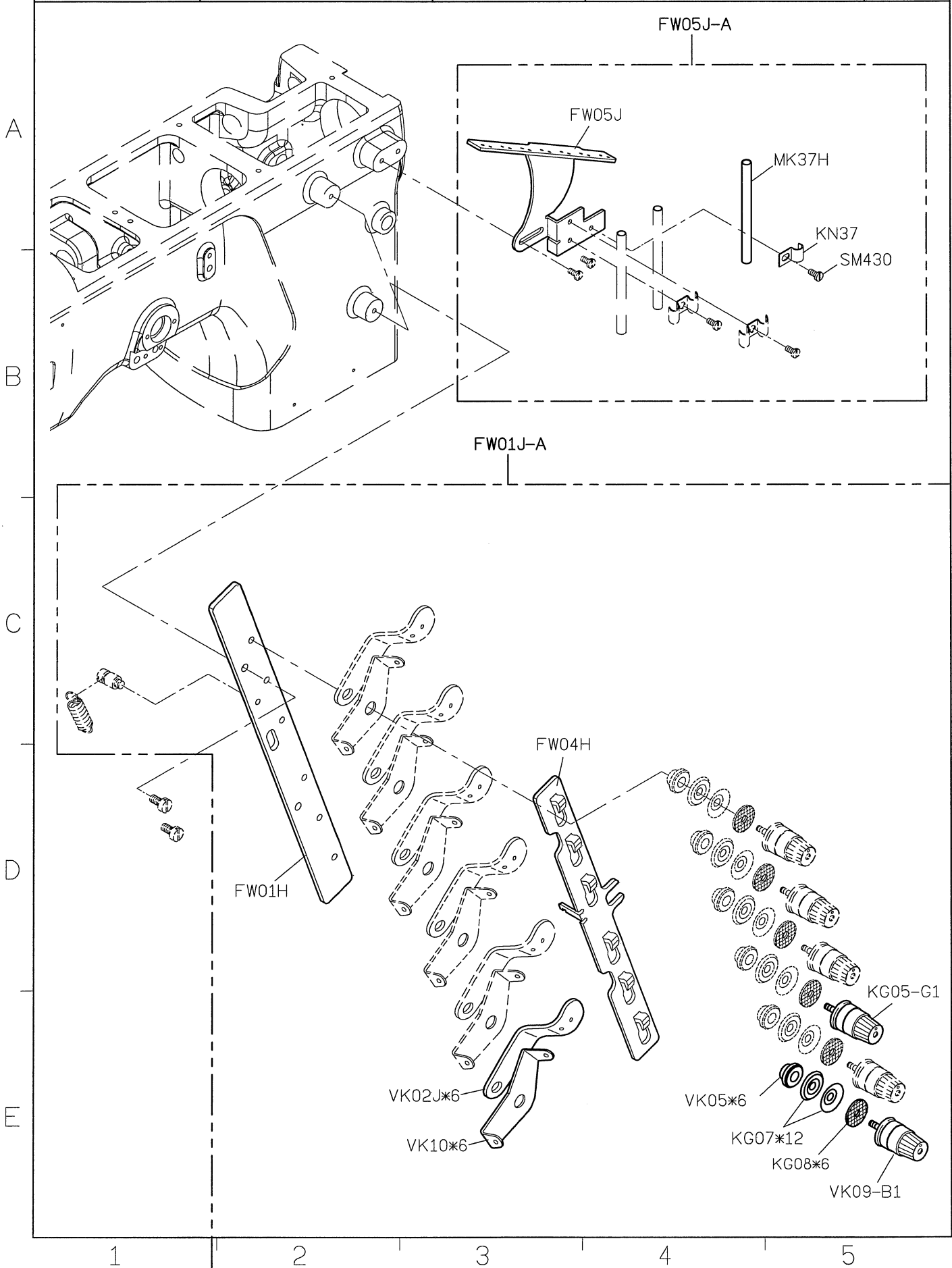
2

3

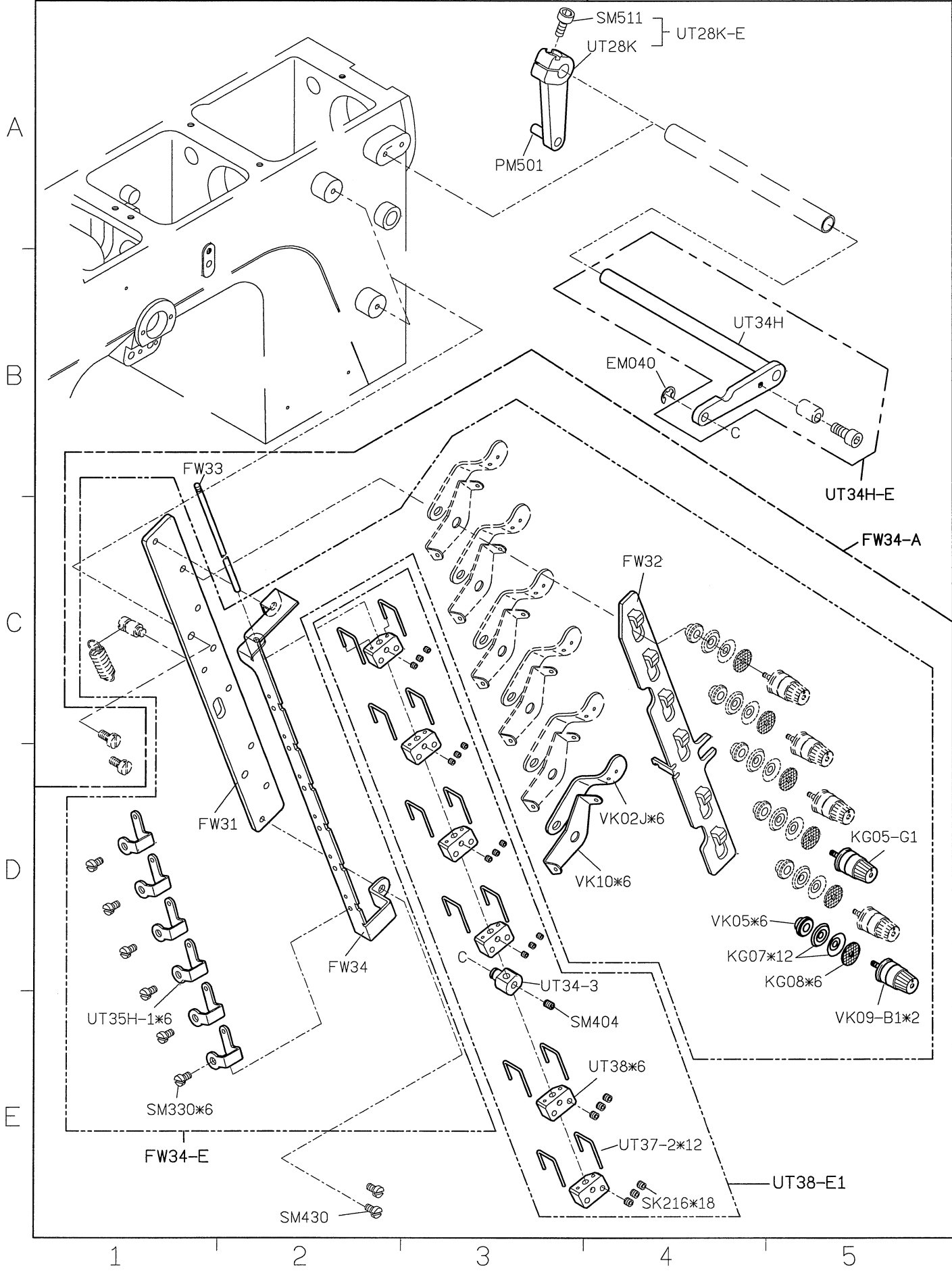
4

5

SIRUBA PARTS LIST	Series	Parts Group	Subclass / Remark	Page
	C007K/C007KD C858K	CW-K		2/4
				Date
				2016/8/29

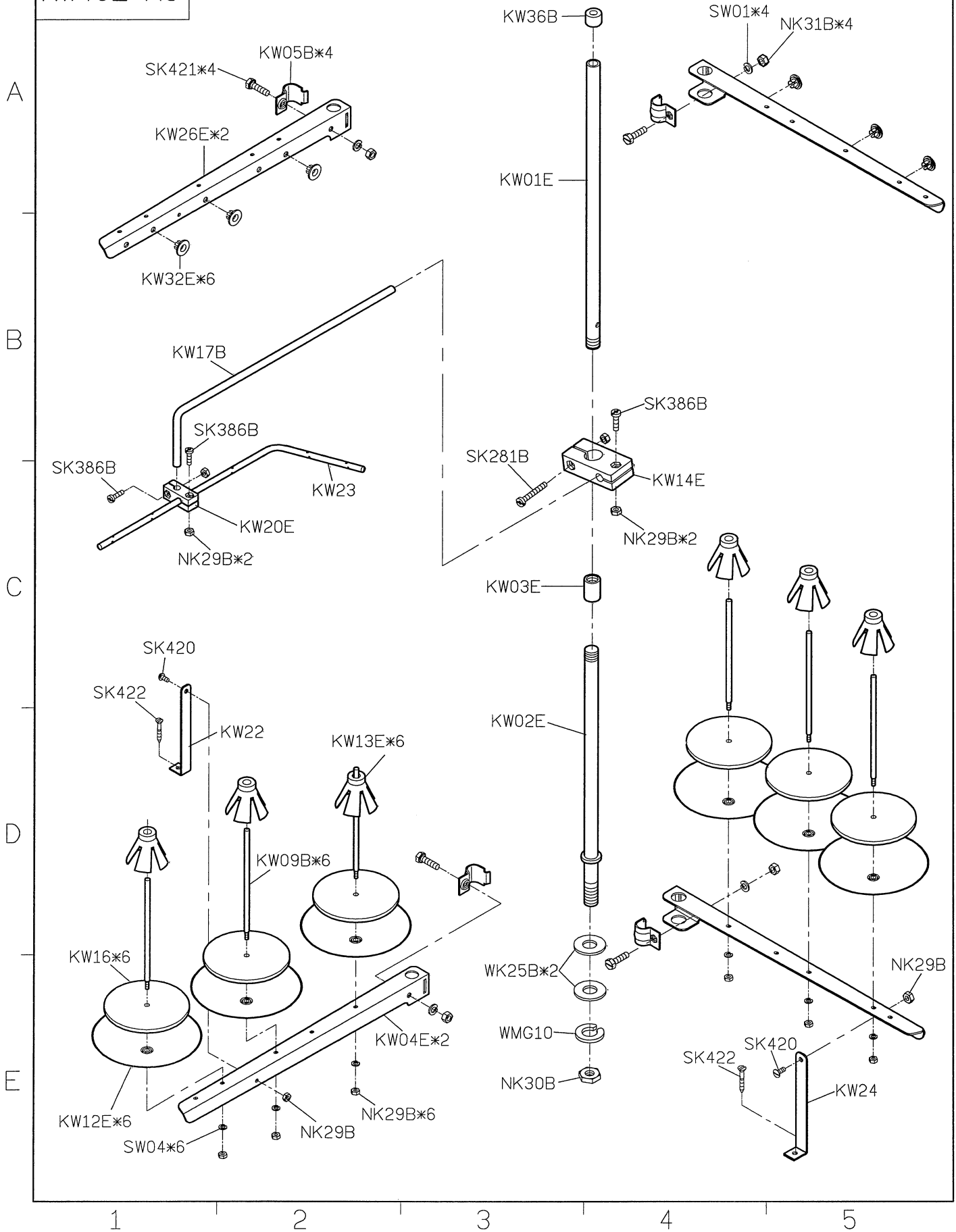


SIRUBA PARTS LIST	Series	Parts Group	Subclass / Remark	Page
	C007K/C007KD	CW-K	For UTQ	3/4
	C858K			Date
				2016/8/29

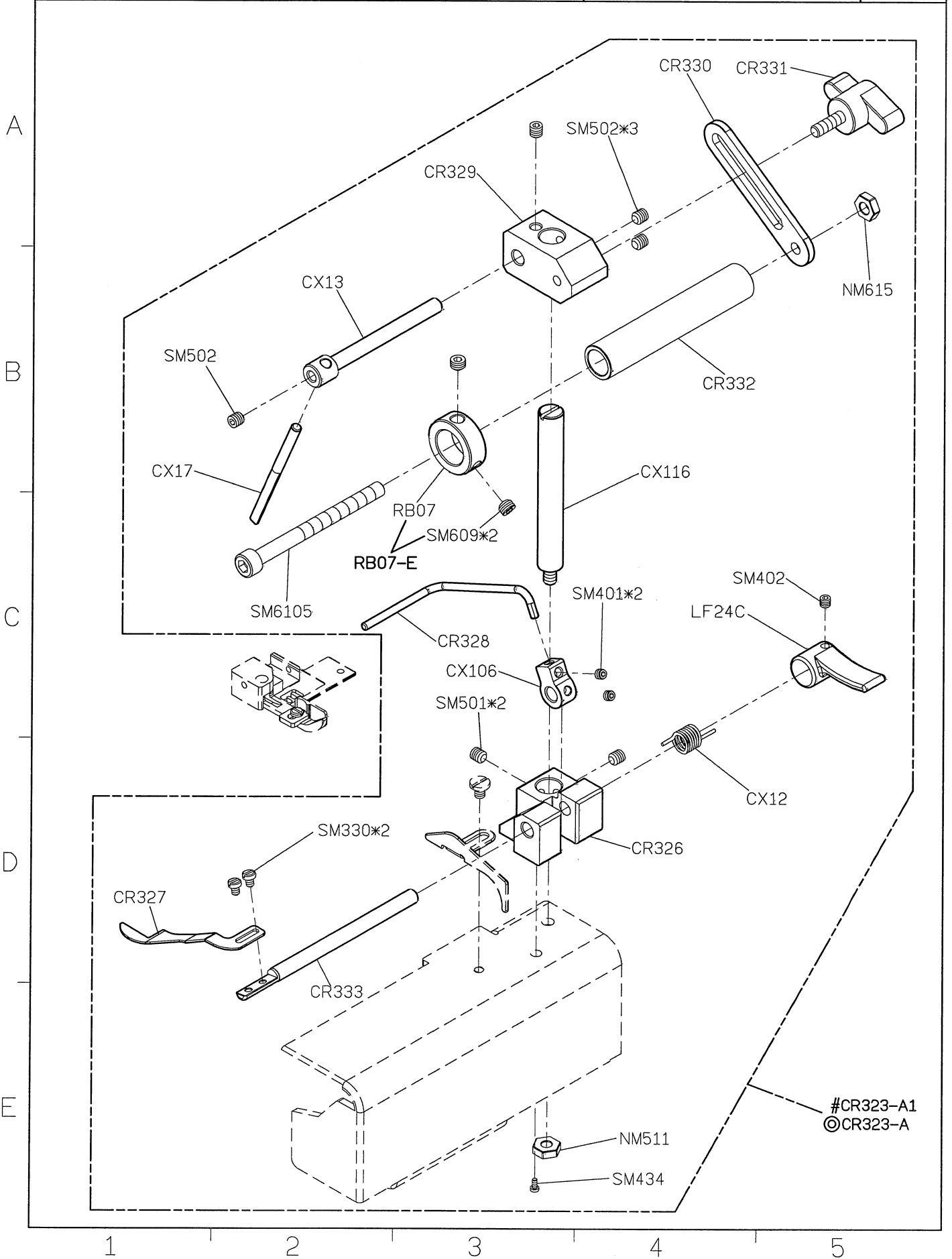


SIRUBA PARTS LIST	Series	Parts Group	Subclass / Remark	Page
	C007K/C007KD	CW-K		4/4
	C858K			Date
				2016/8/29

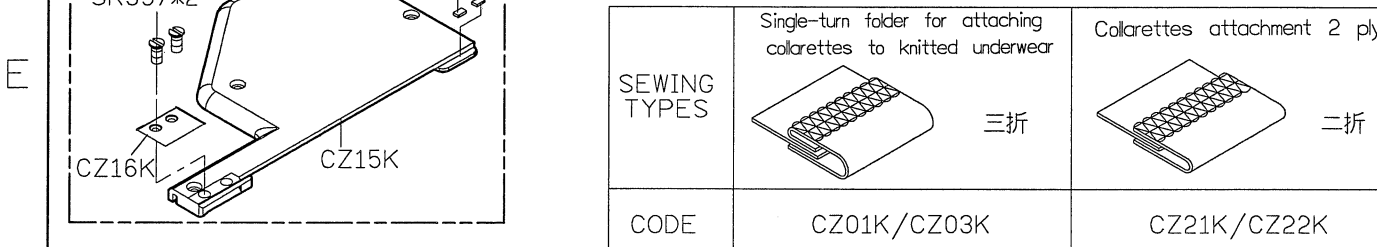
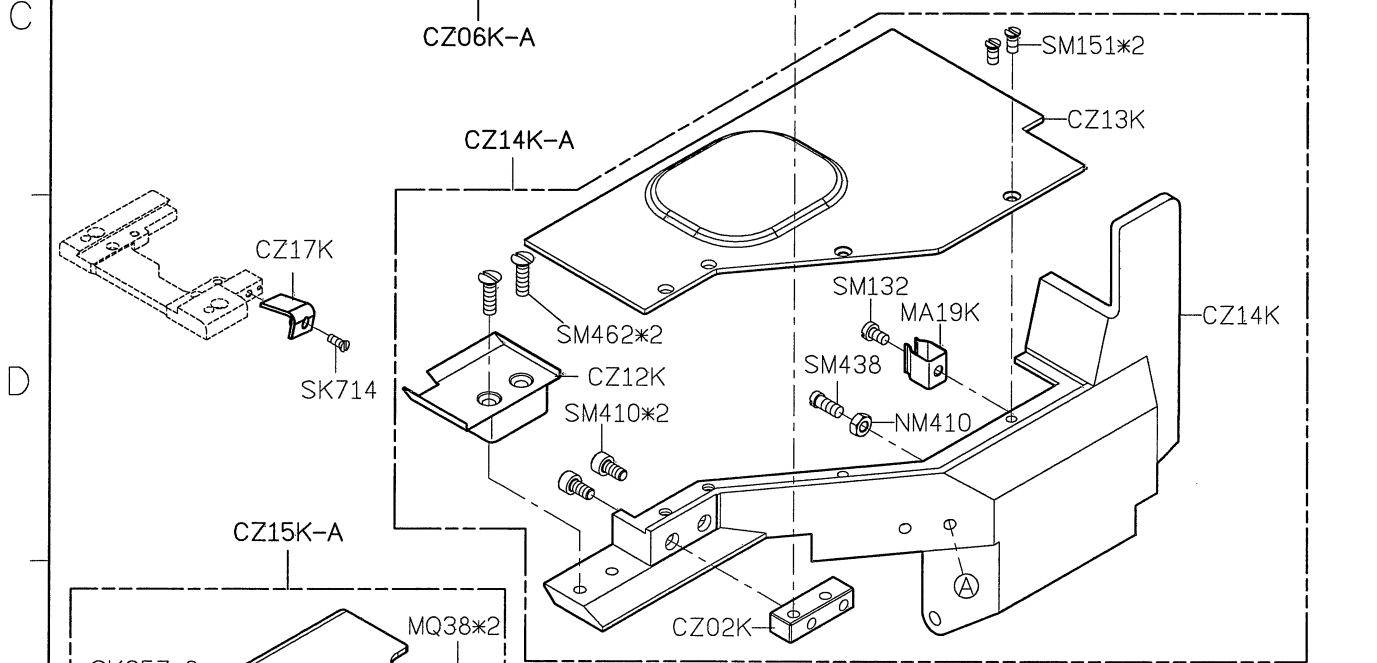
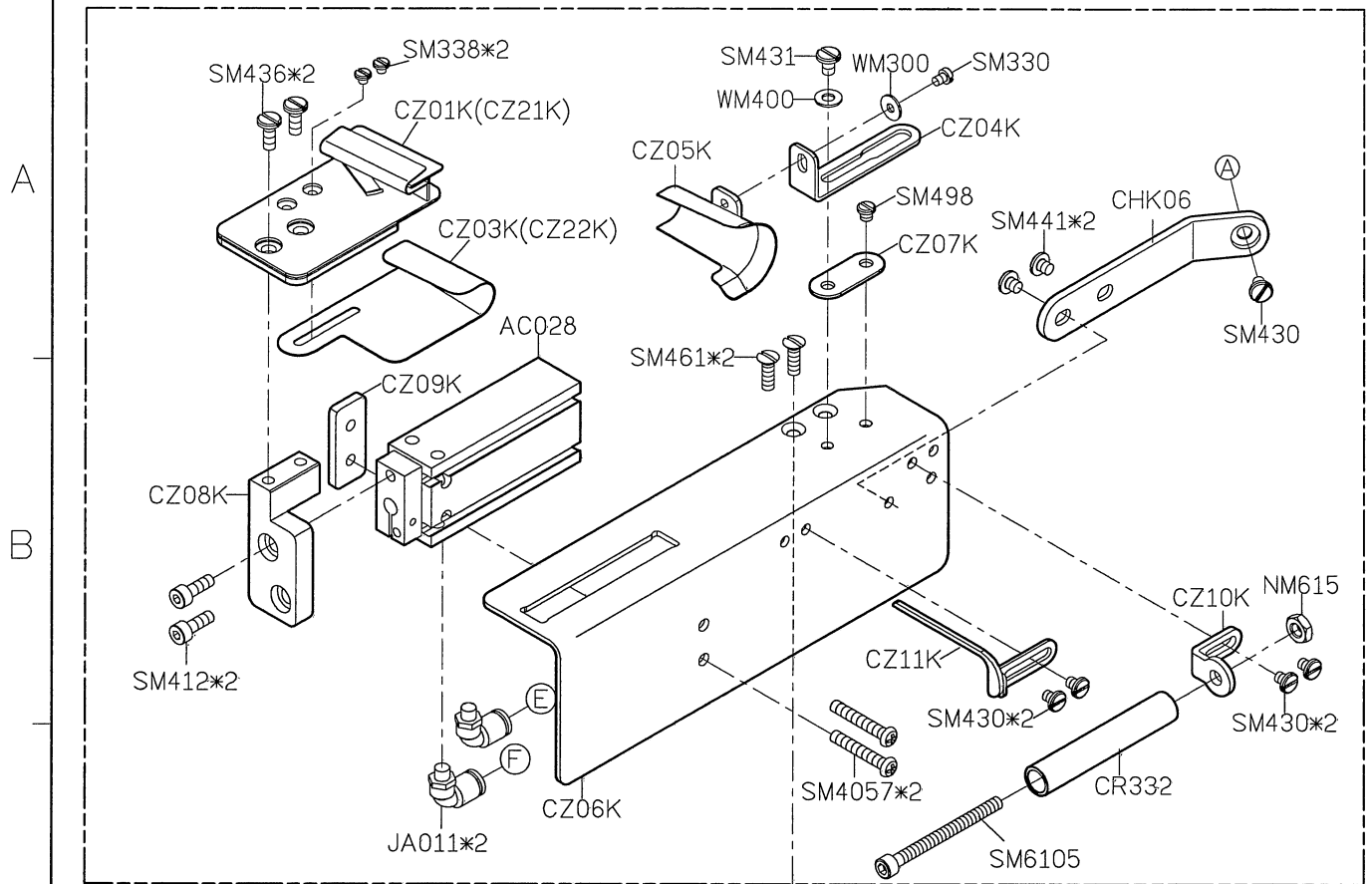
KW40E-A3

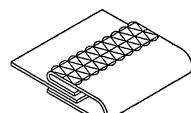
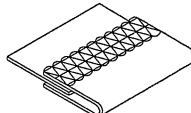


SIRUBA PARTS LIST	Series	Parts Group	Subclass / Remark	Page
	C007K/C007KD C858K	CX-K	# : Use for CX ◎ : Use for CR/CX	1/1
				Date
				2016/8/29



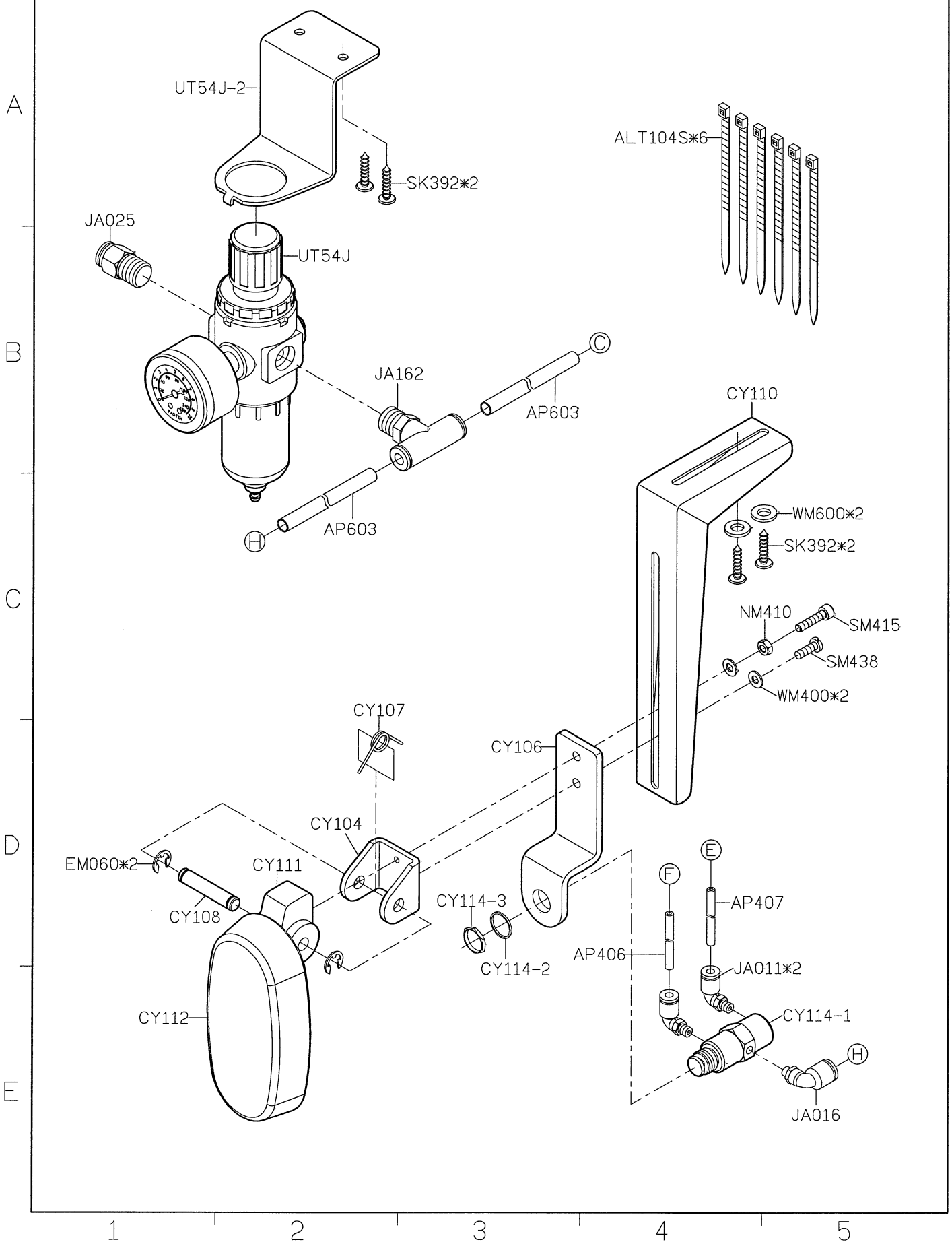
SIRUBA PARTS LIST	Series	Parts Group	Subclass / Remark	Page
	C007K/C007KD C858K	CZ-K		1/3
				Date
				2016/8/29



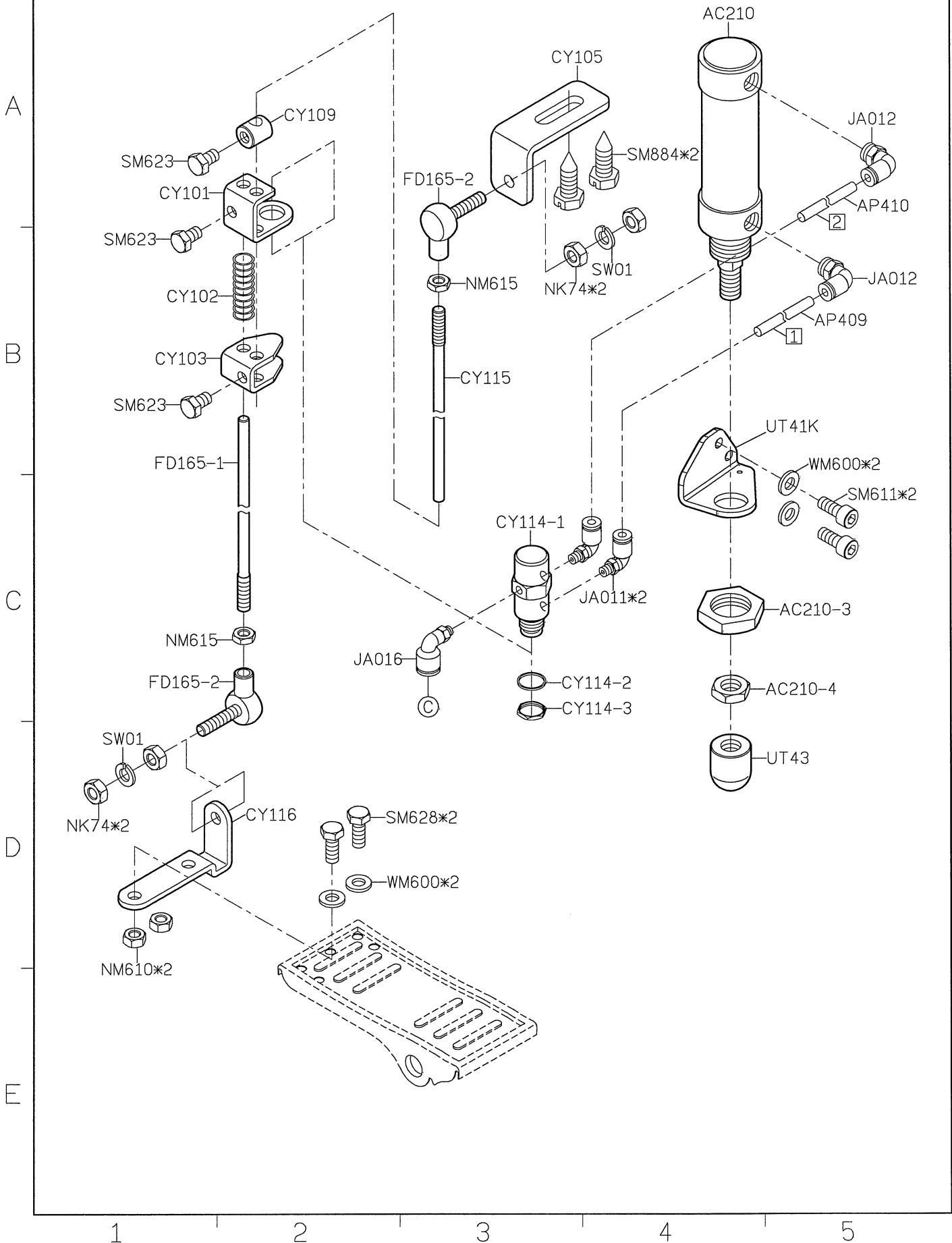
SEWING TYPES	Single-turn folder for attaching calarettas to knitted underwear 	三折	Calarettas attachment 2 ply 	二折
CODE	CZ01K/CZ03K		CZ21K/CZ22K	

1 2 3 4 5

SIRUBA PARTS LIST	Series	Parts Group	Subclass / Remark	Page
	C007K/C007KD C858K	CZ-K		2/3
				Date
				2016/8/29



SIRUBA PARTS LIST	Series	Parts Group	Subclass / Remark	Page
	C007K/C007KD C858K	CZ-K		3/3
				Date
				2016/8/29



SIRUBA

PARTS LIST

Series

C007K/C007KD
C858K

Parts Group

CZP-K

Subclass / Remark

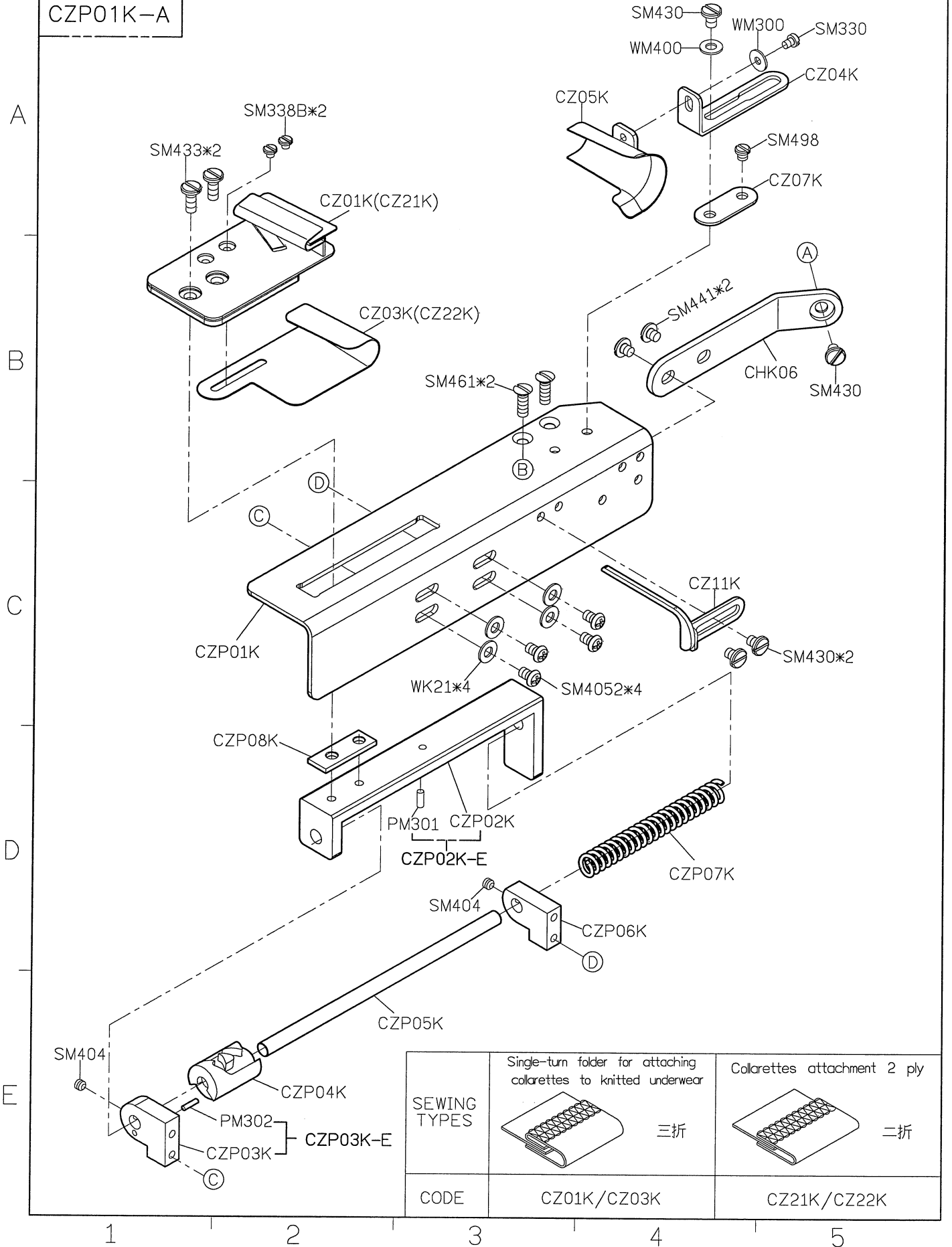
Page

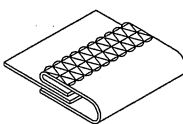
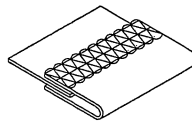
1/3

Date

2016/8/29

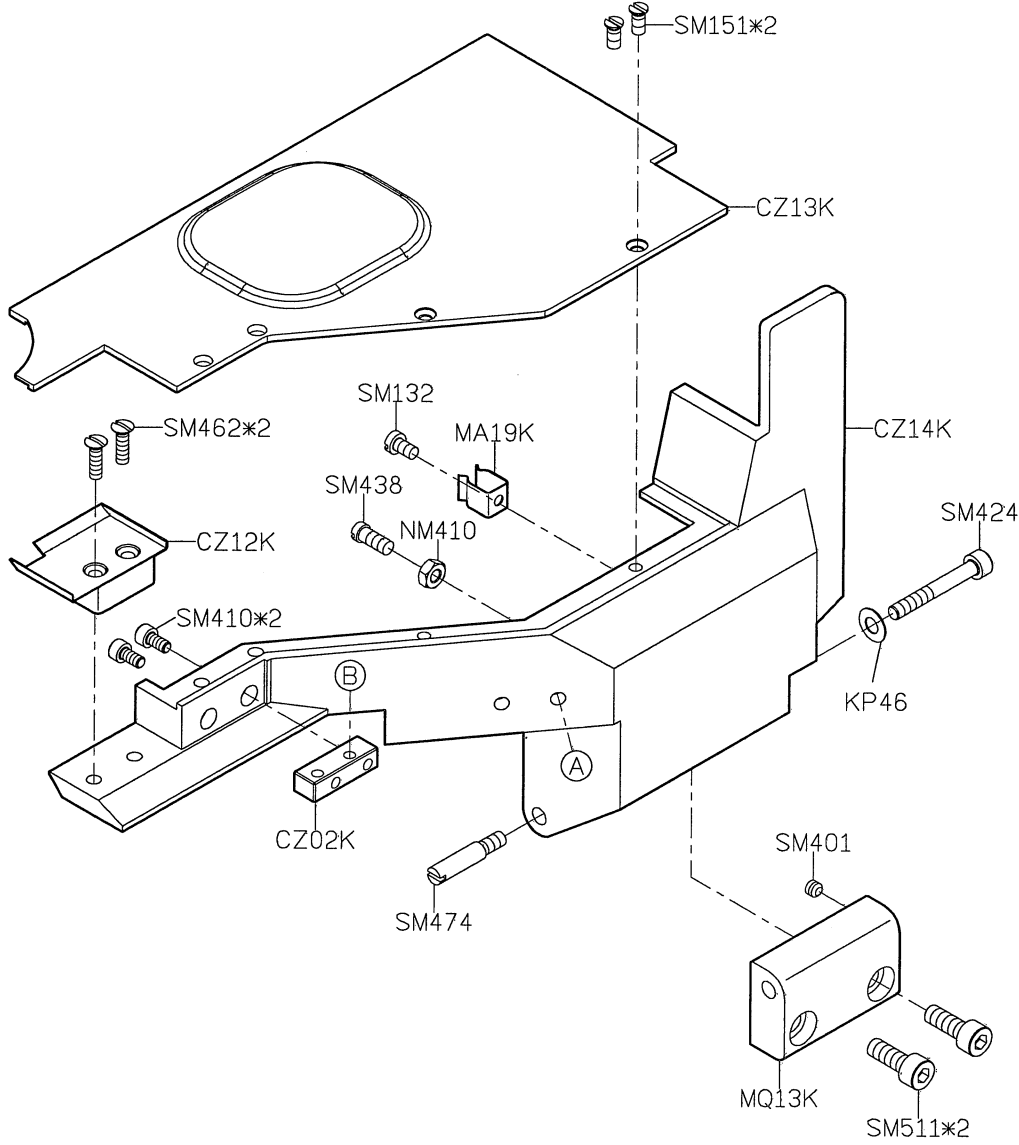
CZP01K-A



SEWING TYPES	Single-turn folder for attaching collarettes to knitted underwear  三折	Collarettes attachment 2 ply  二折
CODE	CZ01K/CZ03K	CZ21K/CZ22K

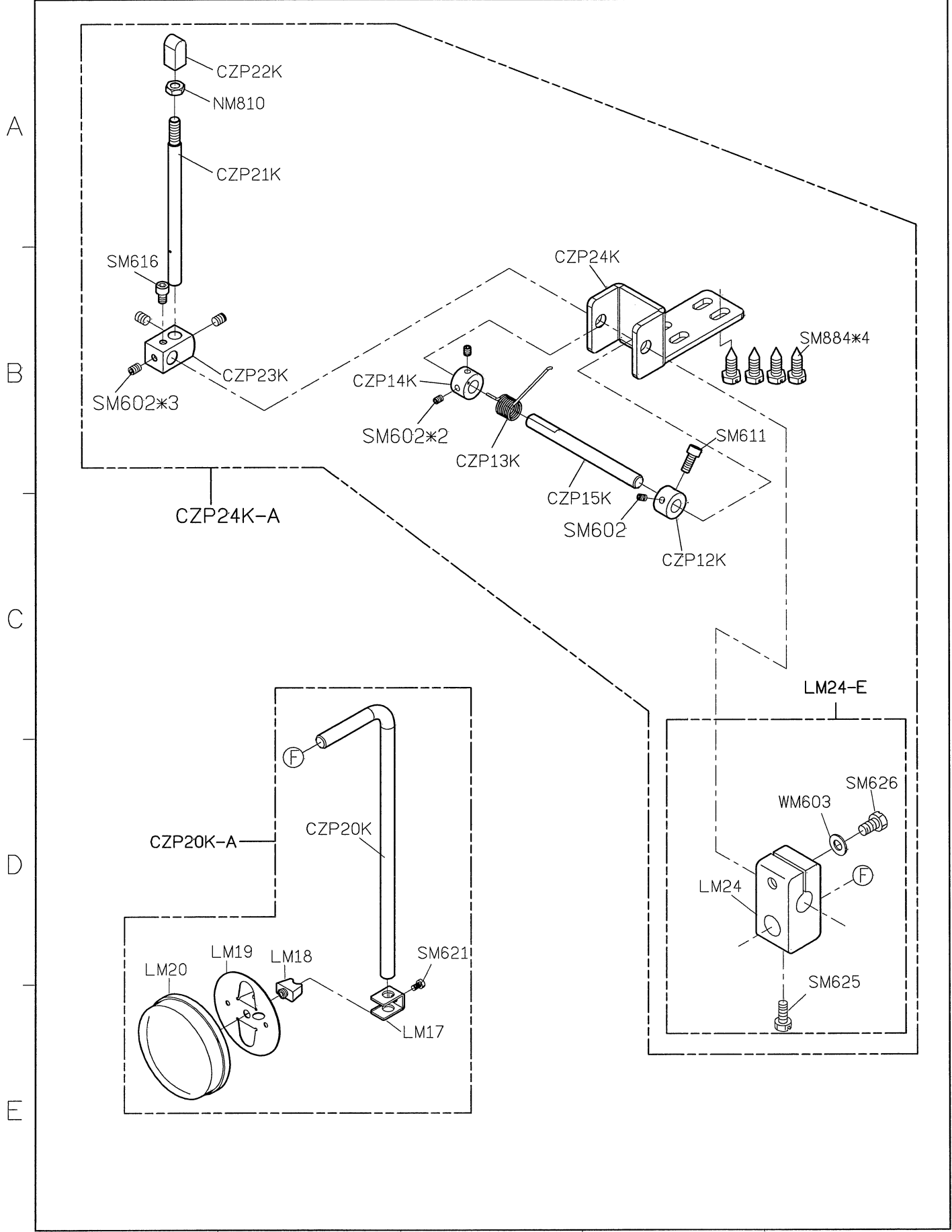
SIRUBA PARTS LIST	Series	Parts Group	Subclass / Remark	Page
	C007K/C007KD C858K	CZP-K		2/3
				Date
				2016/8/29

A
B
C
D
E



1 2 3 4 5

SIRUBA PARTS LIST	Series	Parts Group	Subclass / Remark	Page
	C007K/C007KD	CZP-K		3/3
	C858K			Date
				2016/8/29



1 2 3 4 5

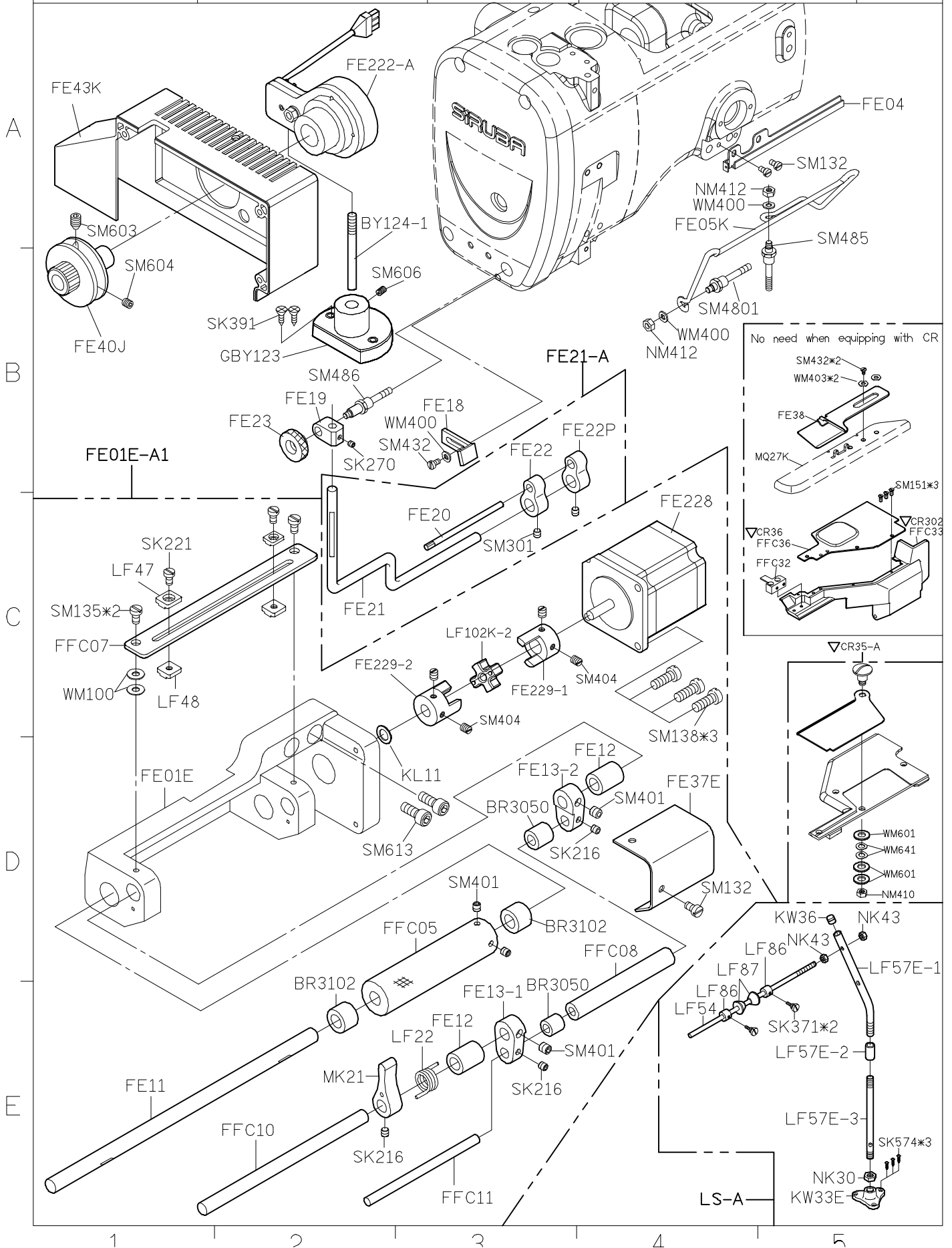
SIRUBA
PARTS LIST

C007K/C007KD
C858K/C858KD

Parts Group
FE-K

Subclass / Remark
:Use for C007KD/C858KD
▽ :Use for add FE to the CR

Page
1/3
Date
2012/10/31



SIRUBA

PARTS LIST

Series

F007K/F007KD
F858K
C007K/C007KD
C858K

Parts Group

FFC-K

Subclass / Remark

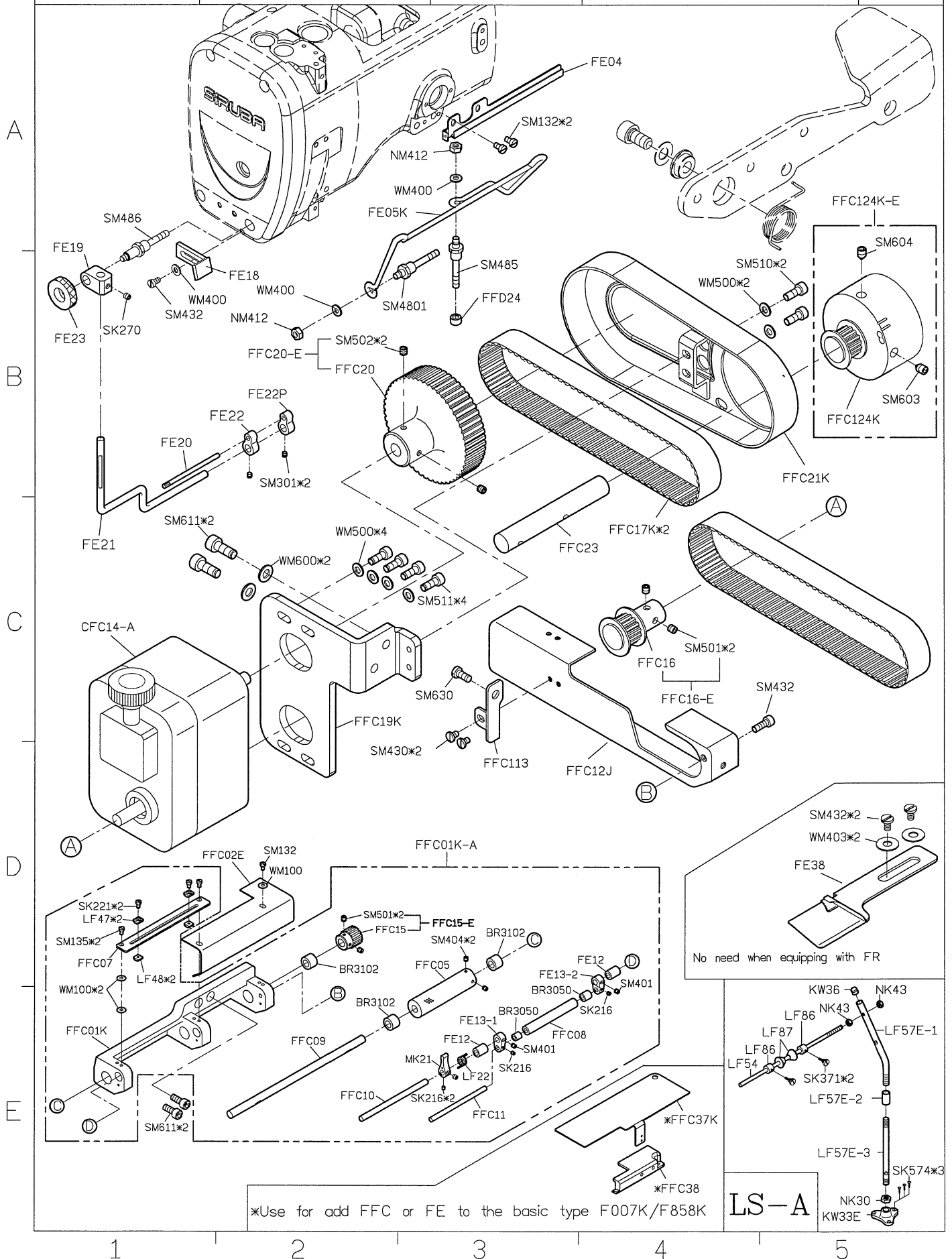
Not for Direct-Drive Motor

Page

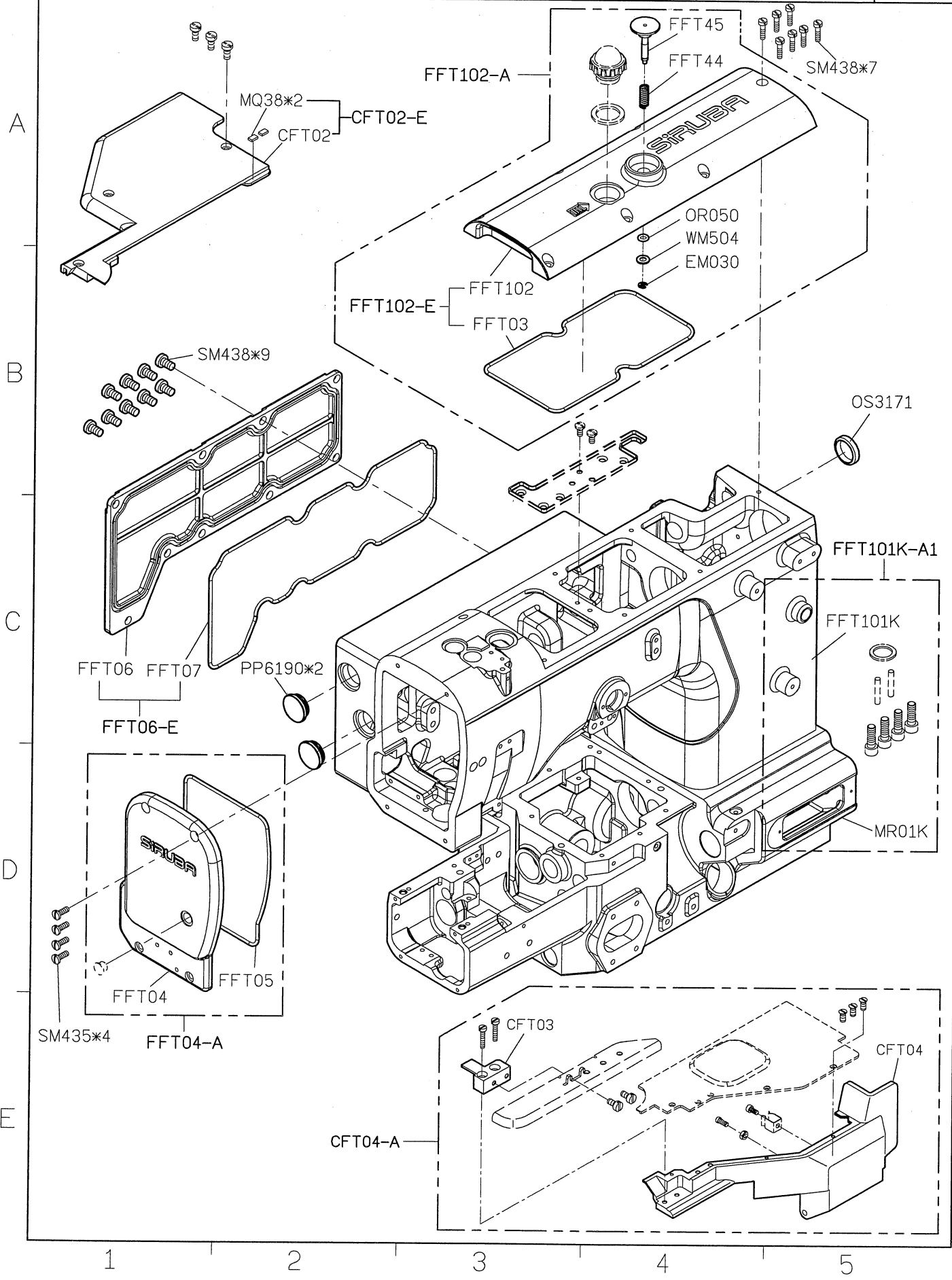
1/1

Date

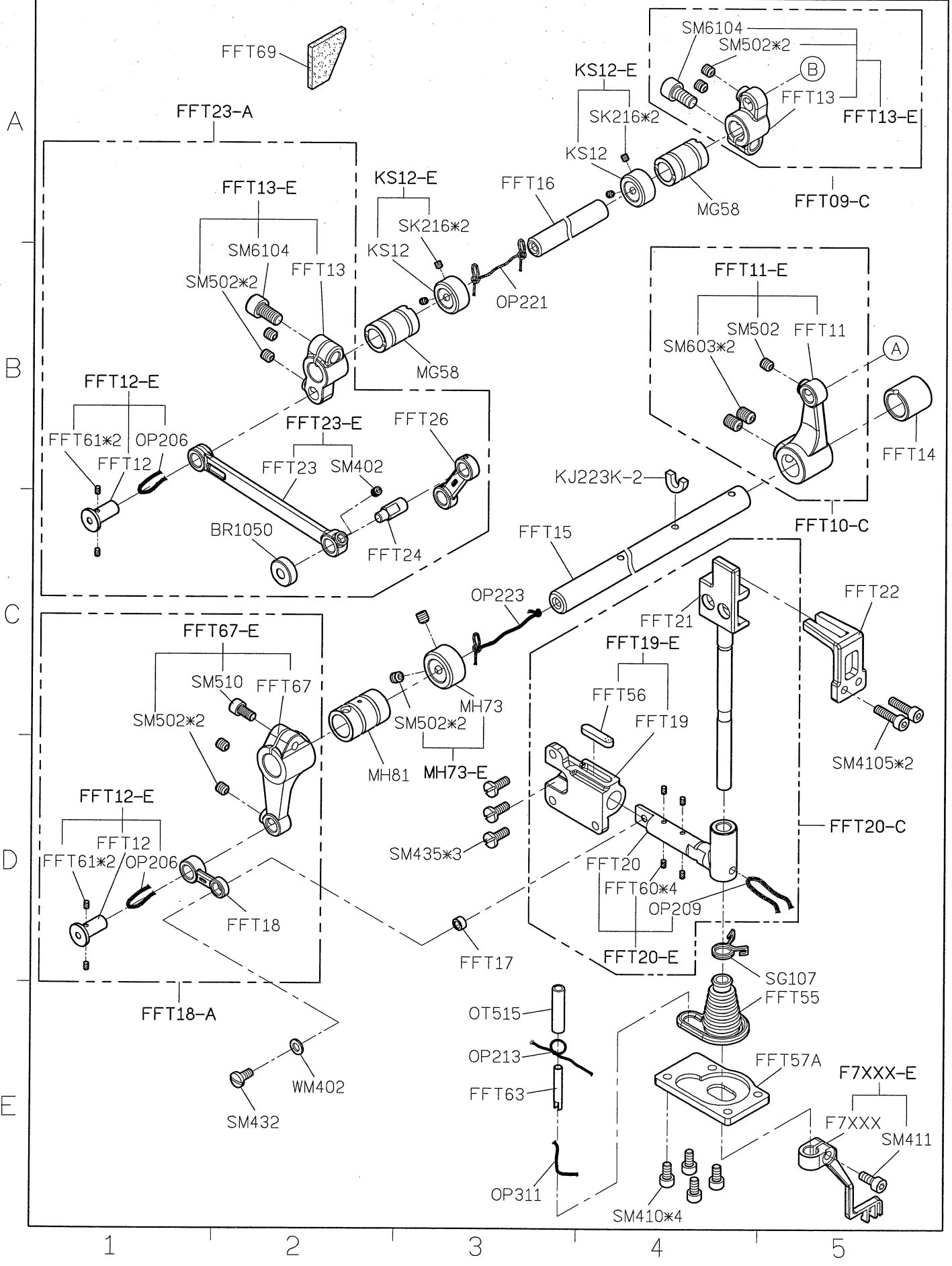
2016/10/13



SIRUBA PARTS LIST	Series	Parts Group	Subclass / Remark	Page
	C007KD	FFT	With Direct-Drive Motor	1/7
				Date 2016/8/19



SIRUBA PARTS LIST	Series	Parts Group	Subclass / Remark	Page
	C007KD	FFT	With Direct-Drive Motor	2/7
				Date
				2016/8/18



SIRUBA

PARTS LIST

Series

C007KD

Parts Group

FFT

Subclass / Remark

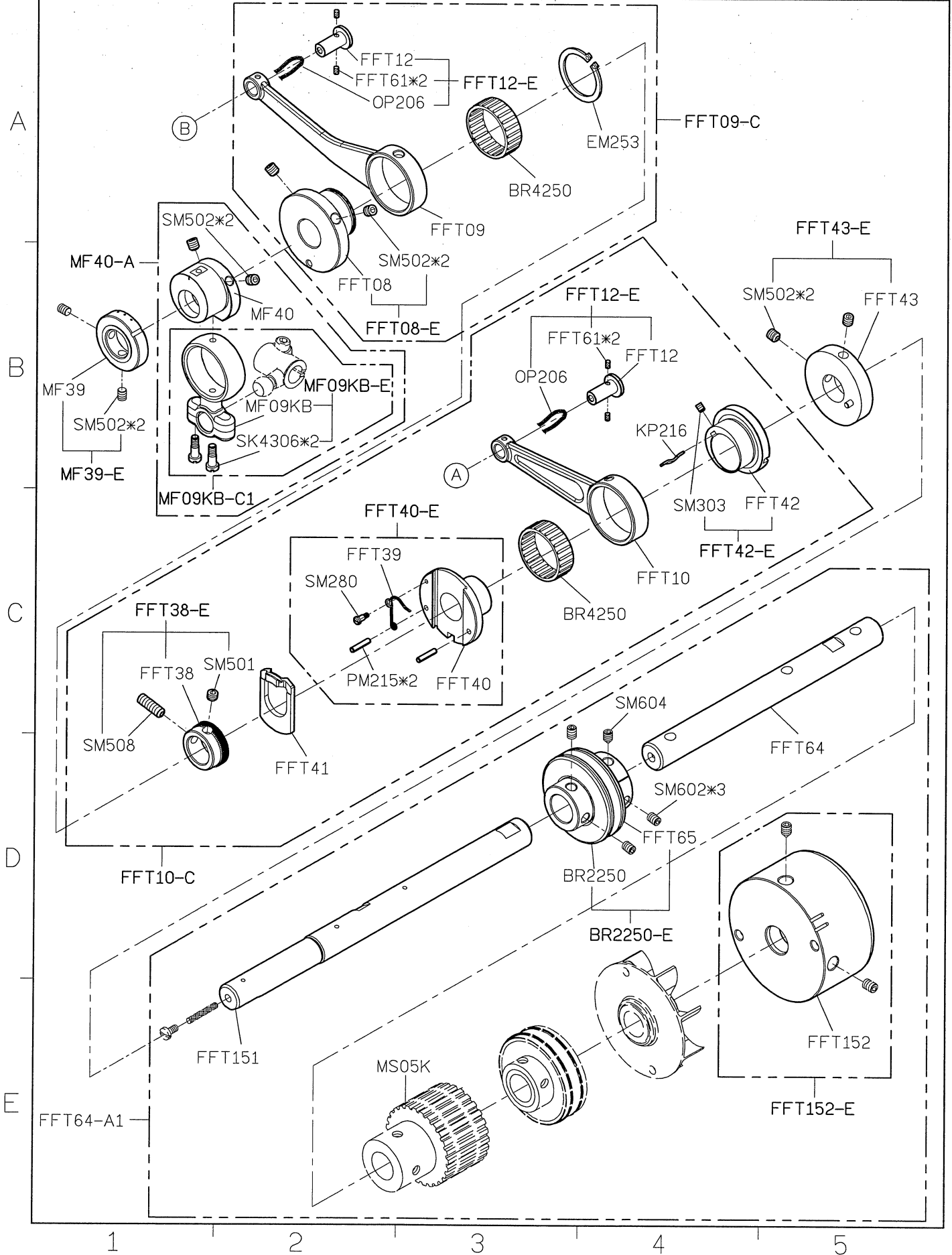
With Direct-Drive Motor

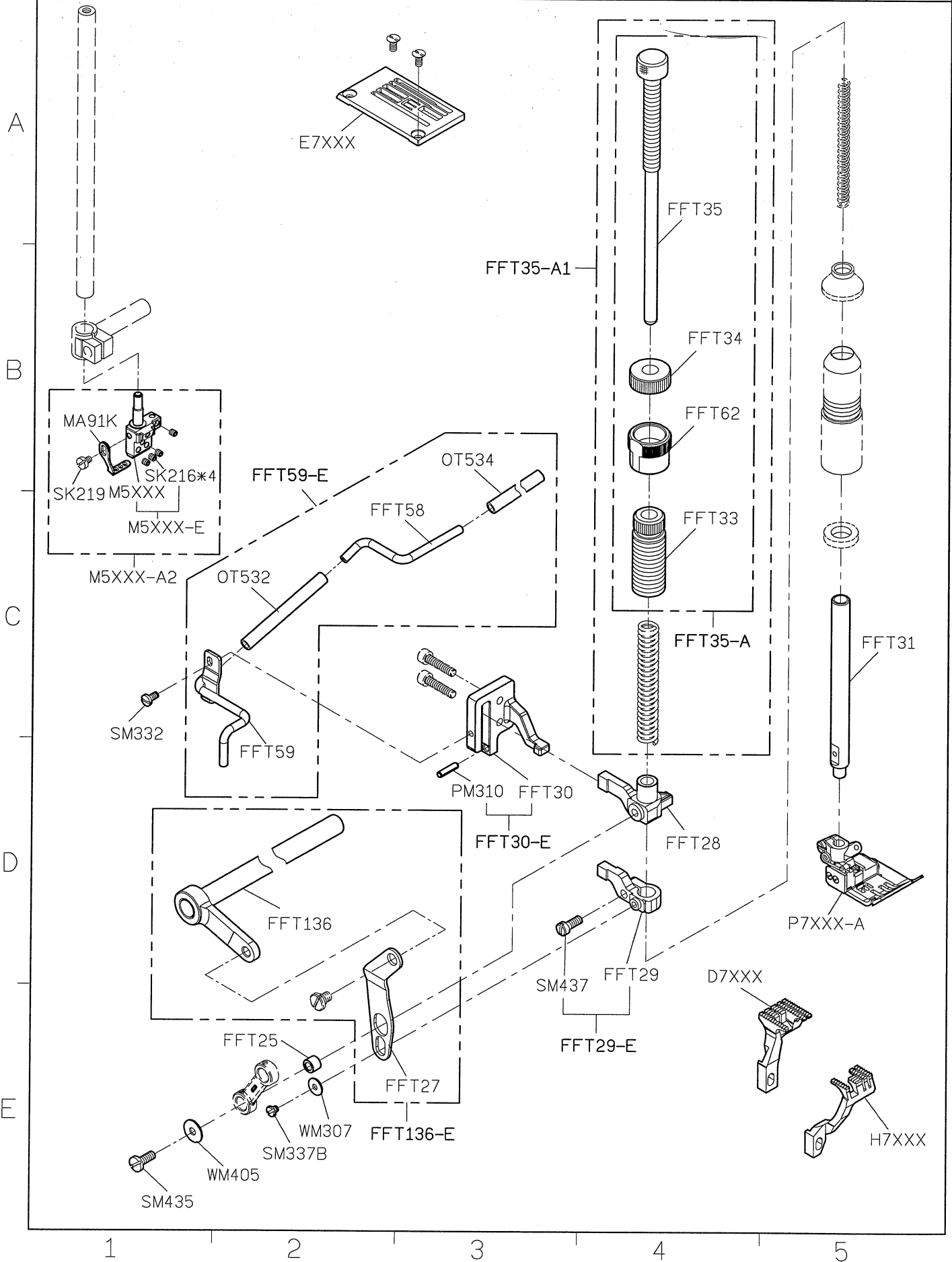
Page

3/7

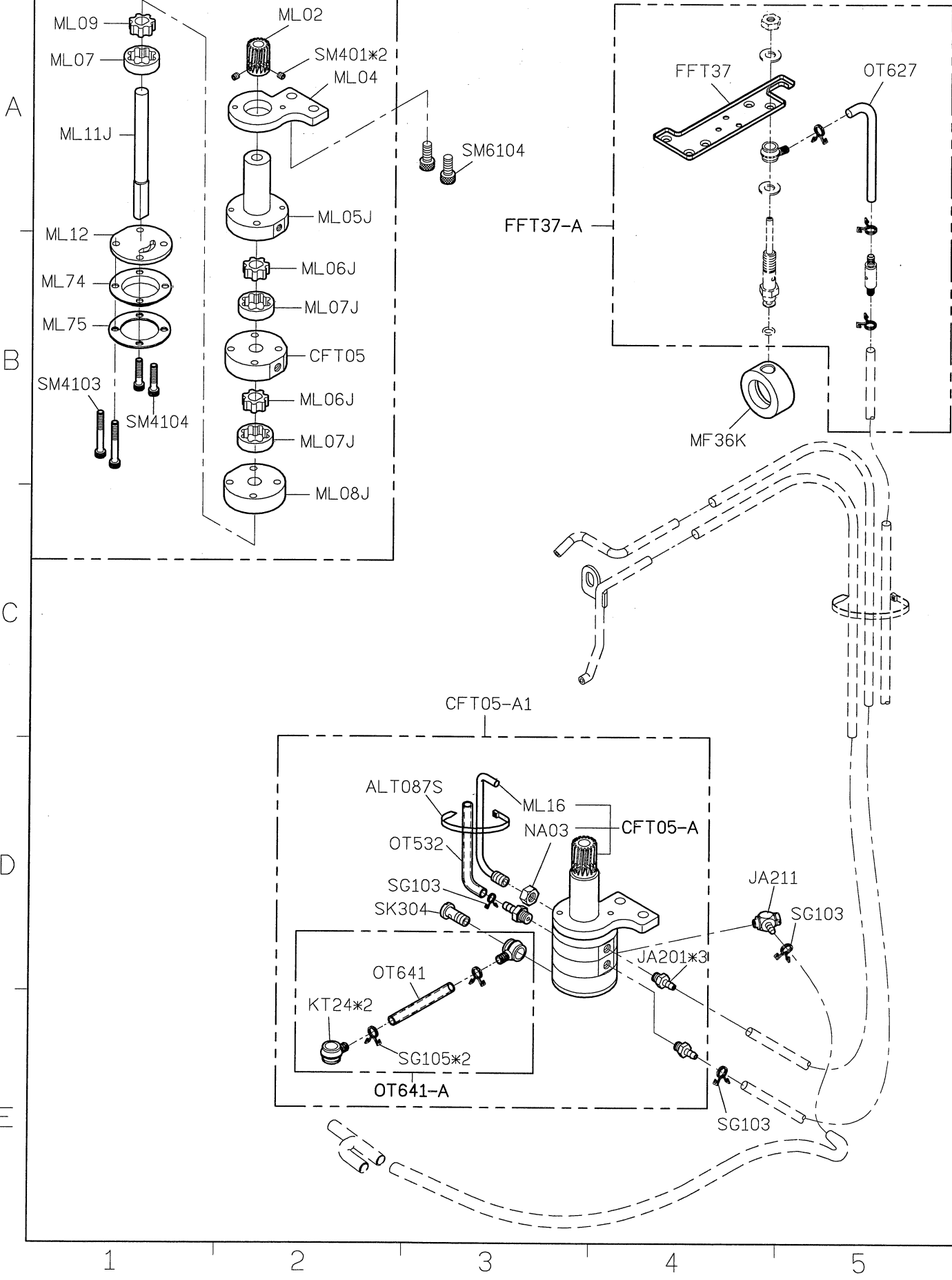
Date

2016/8/18

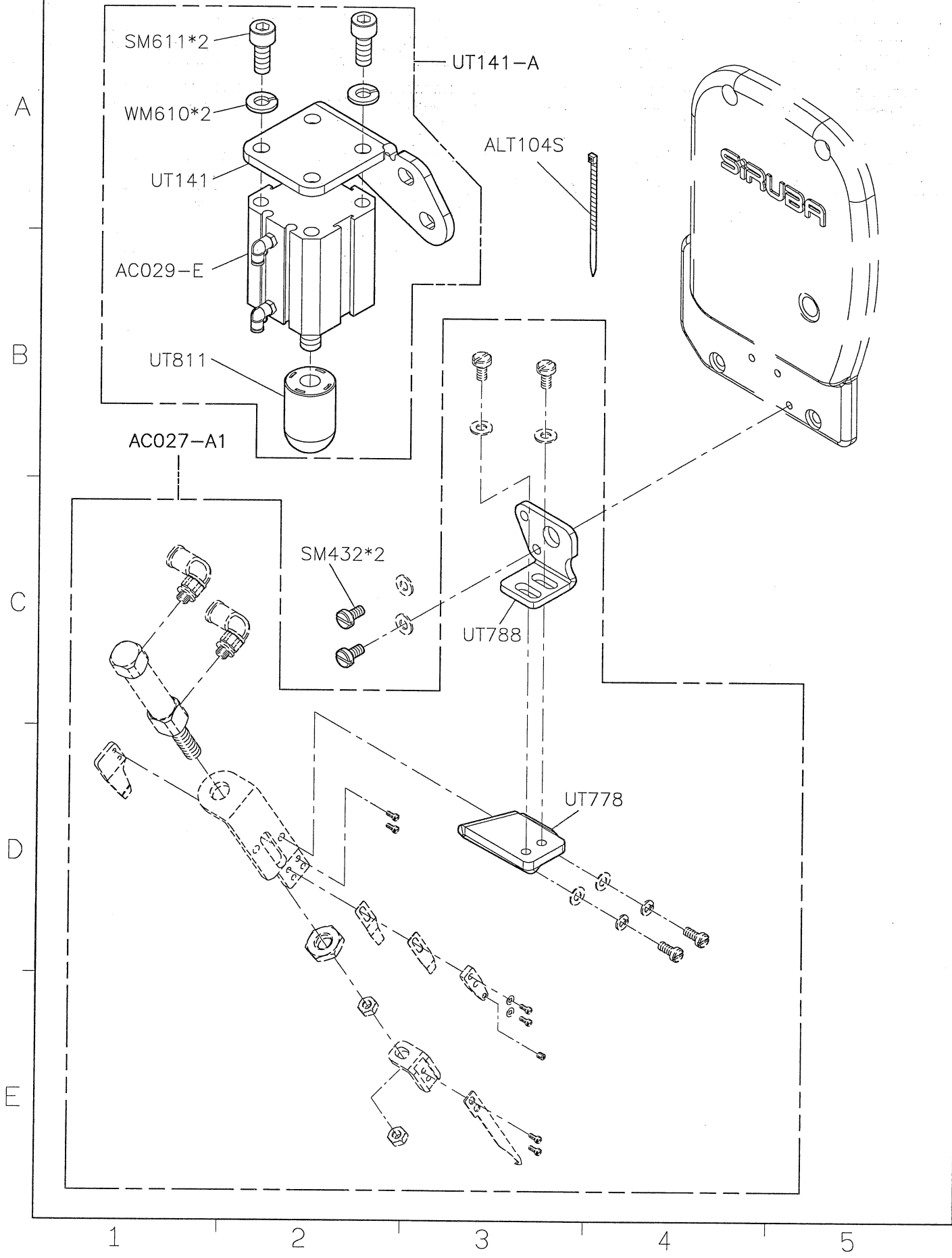




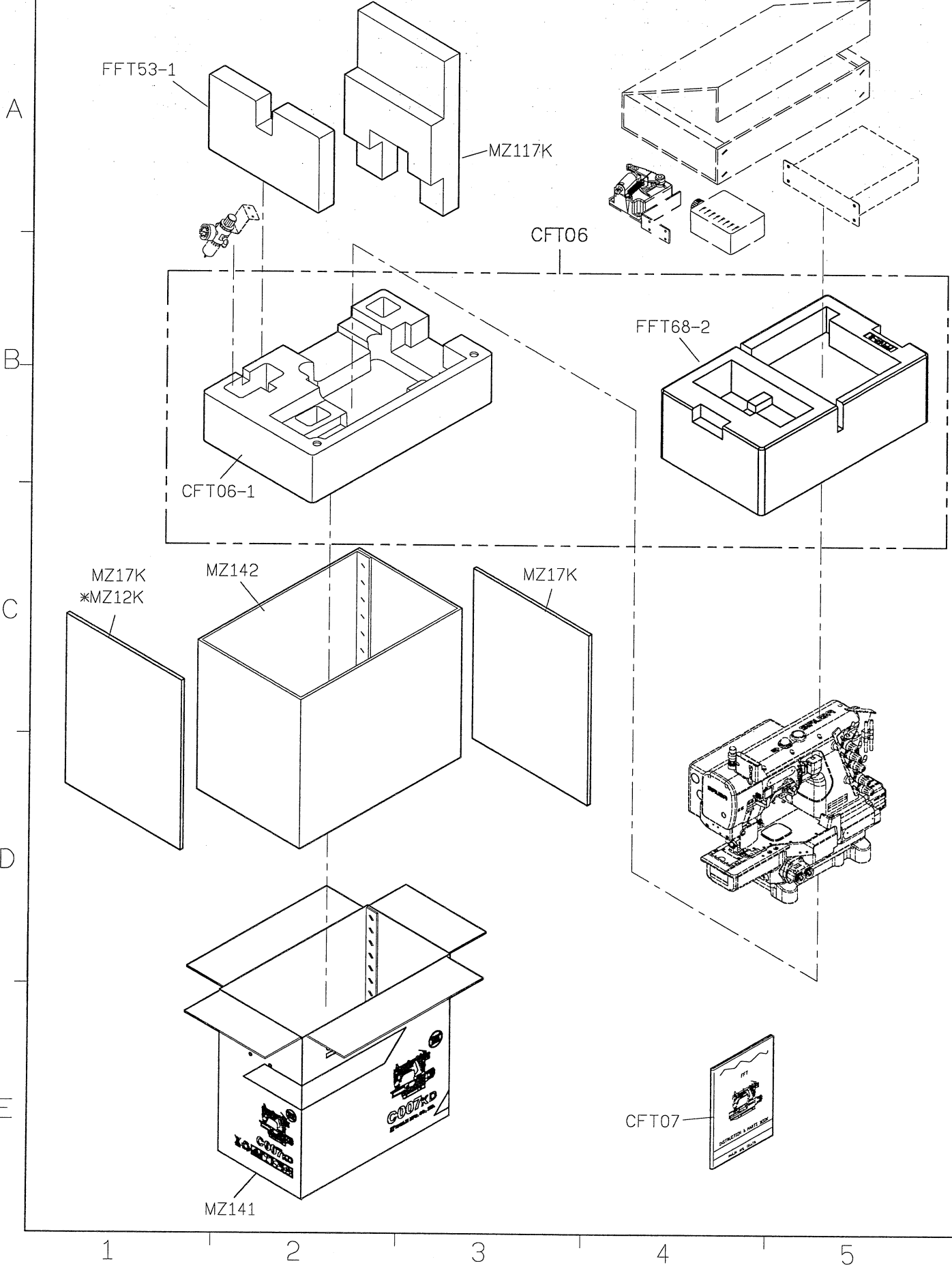
SIRUBA PARTS LIST	Series	Parts Group	Subclass / Remark	Page
	C007KD	FFT	With Direct-Drive Motor	5/7
				Date 2016/8/19



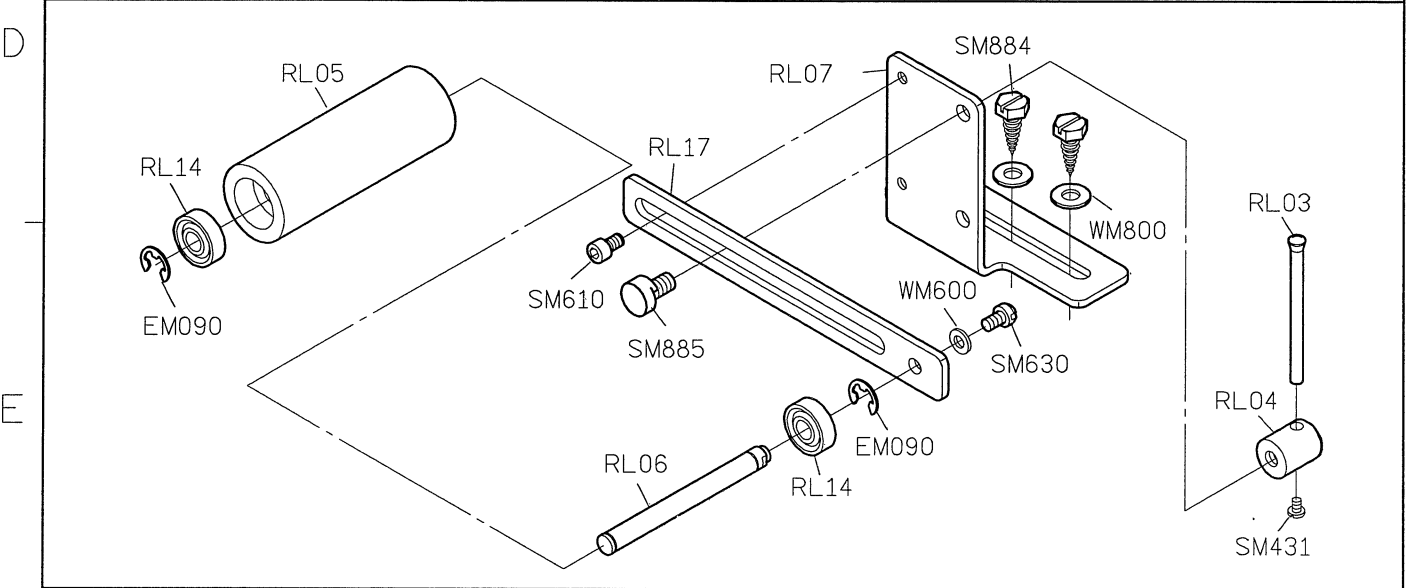
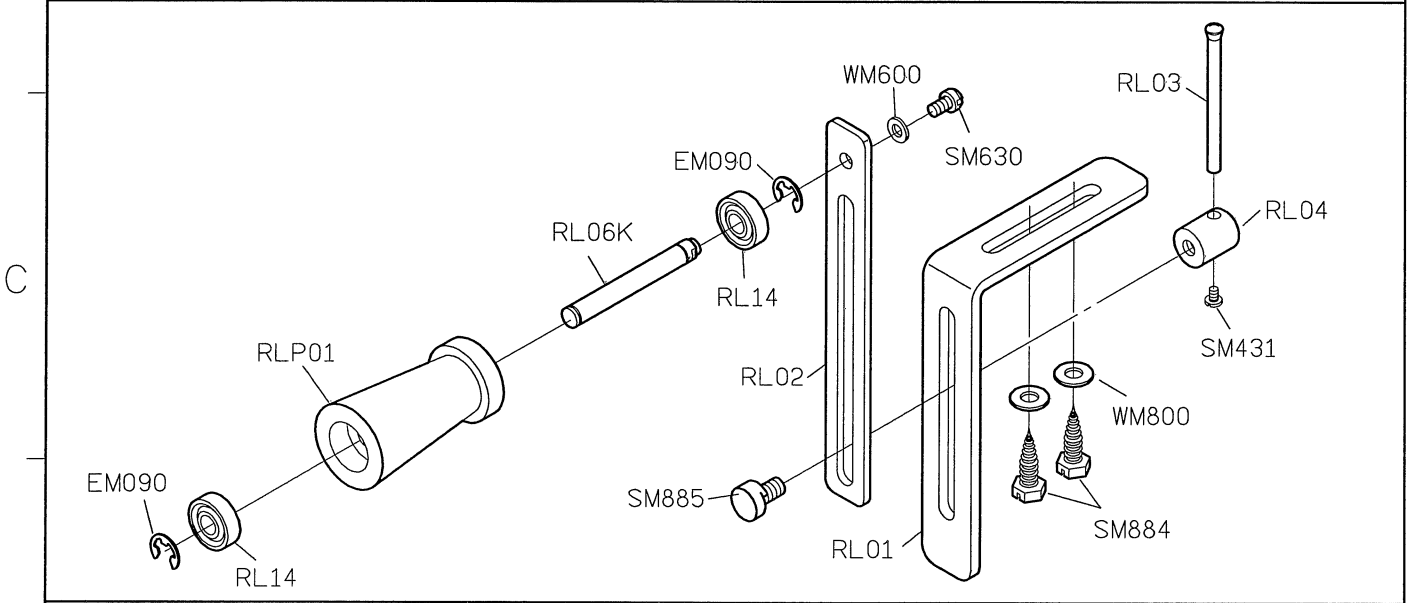
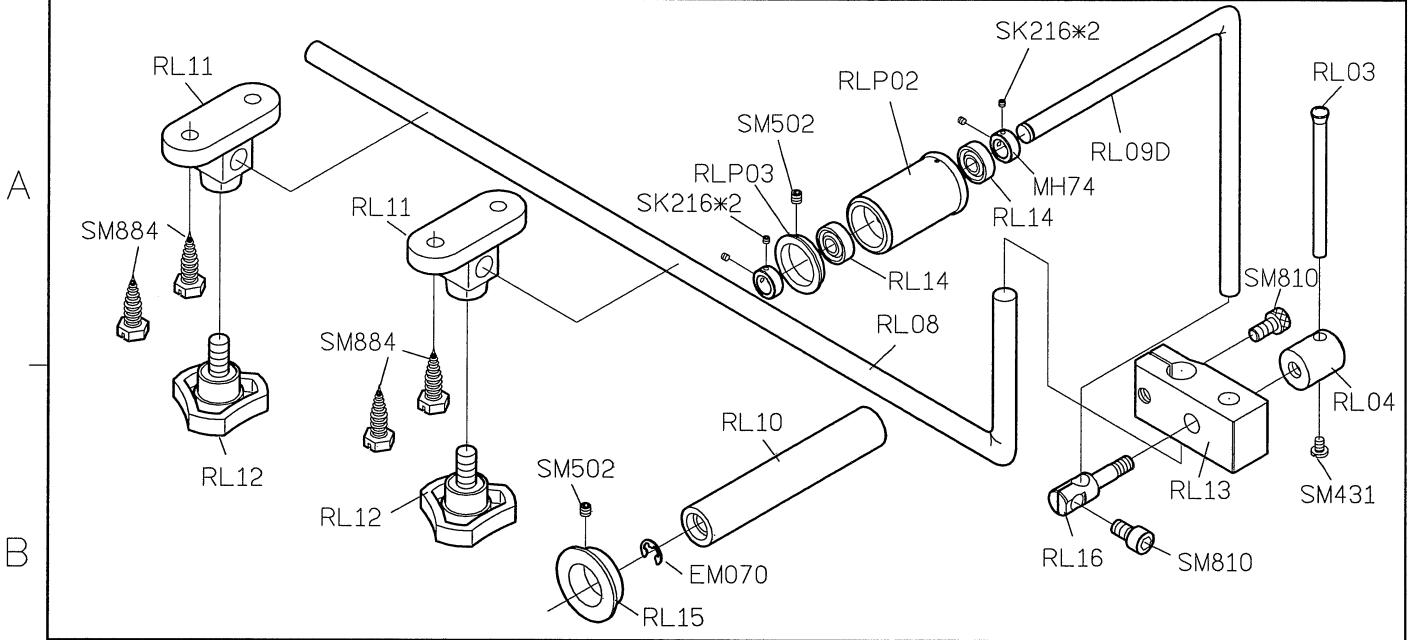
SIRUBA PARTS LIST	Series	Parts Group	Subclass / Remark	Page
	C007KD	FFT	With Direct-Drive Motor	6/7
				Date 2016/8/18



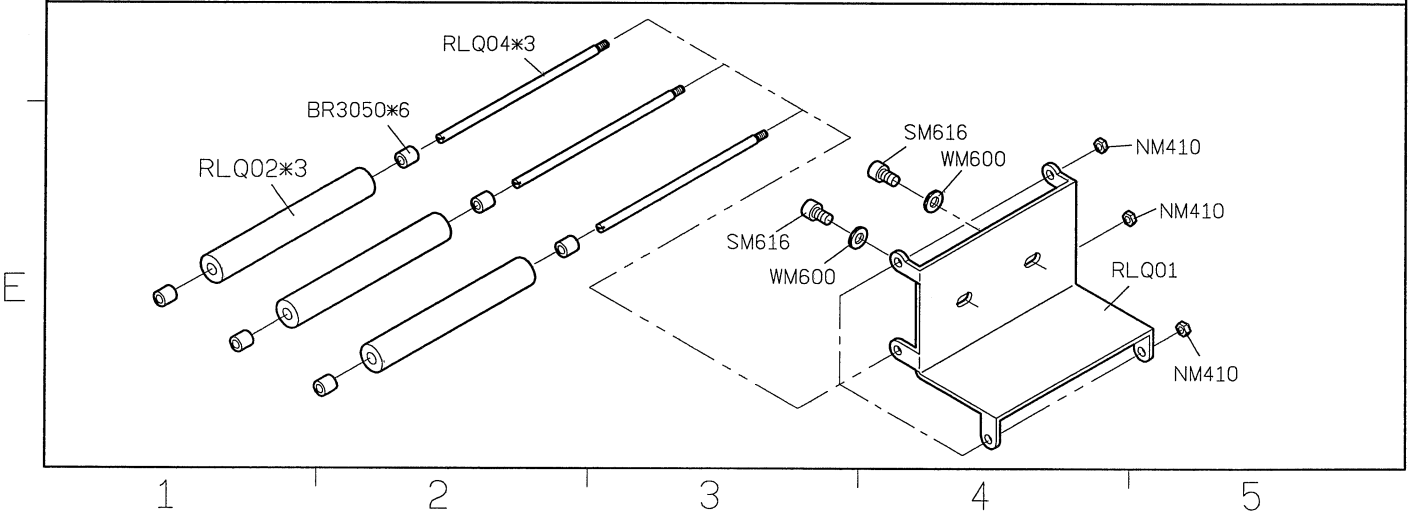
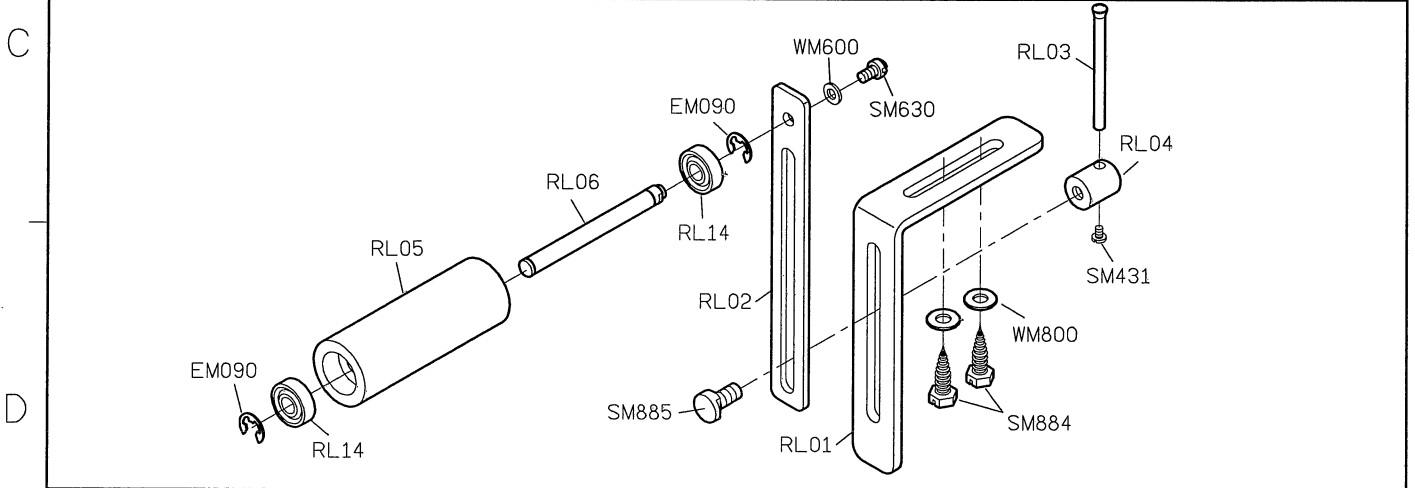
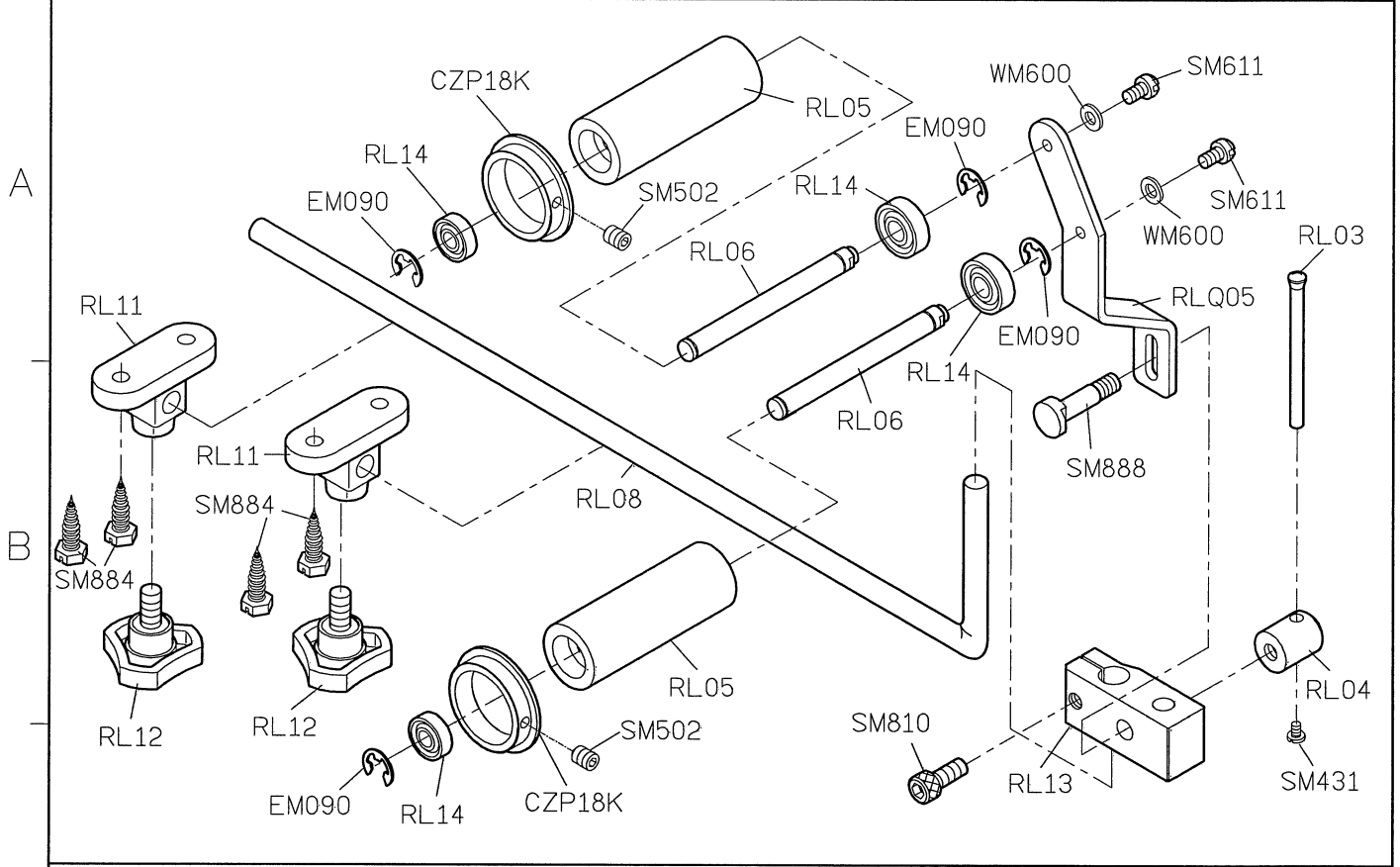
SIRUBA PARTS LIST	Series	Parts Group	Subclass / Remark	Page
	C007KD	FFT	With Direct-Drive Motor * Use for UT	7/7
				Date
				2016/8/22



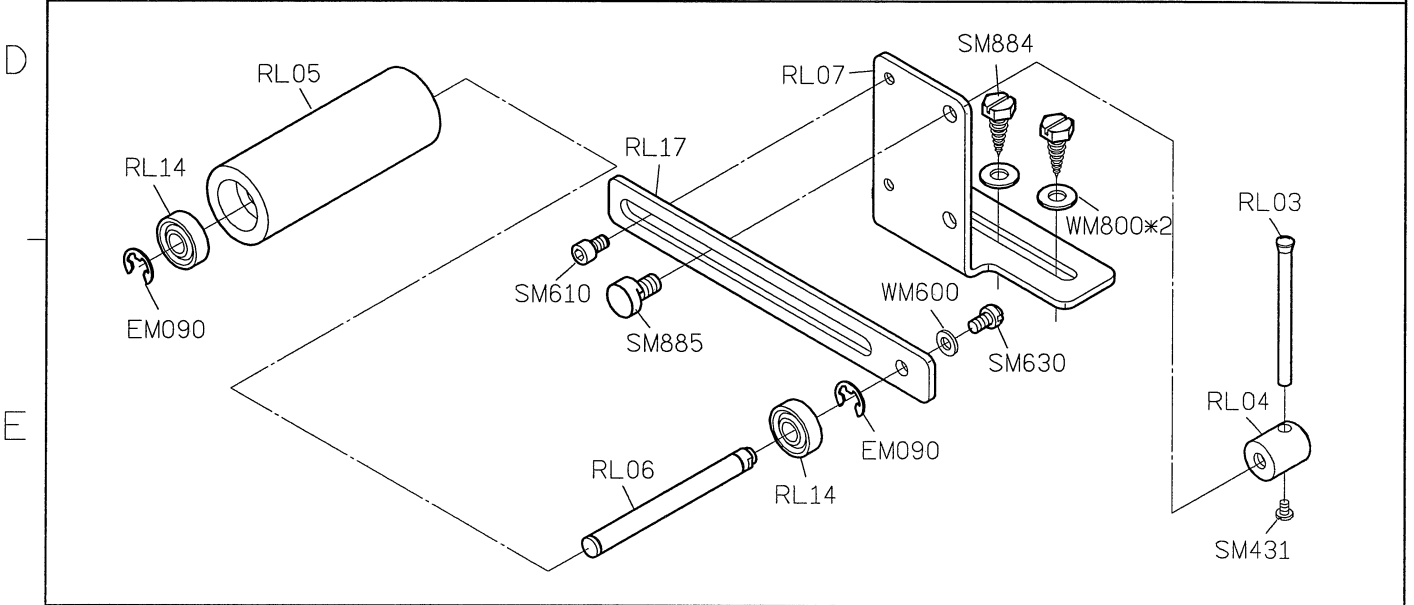
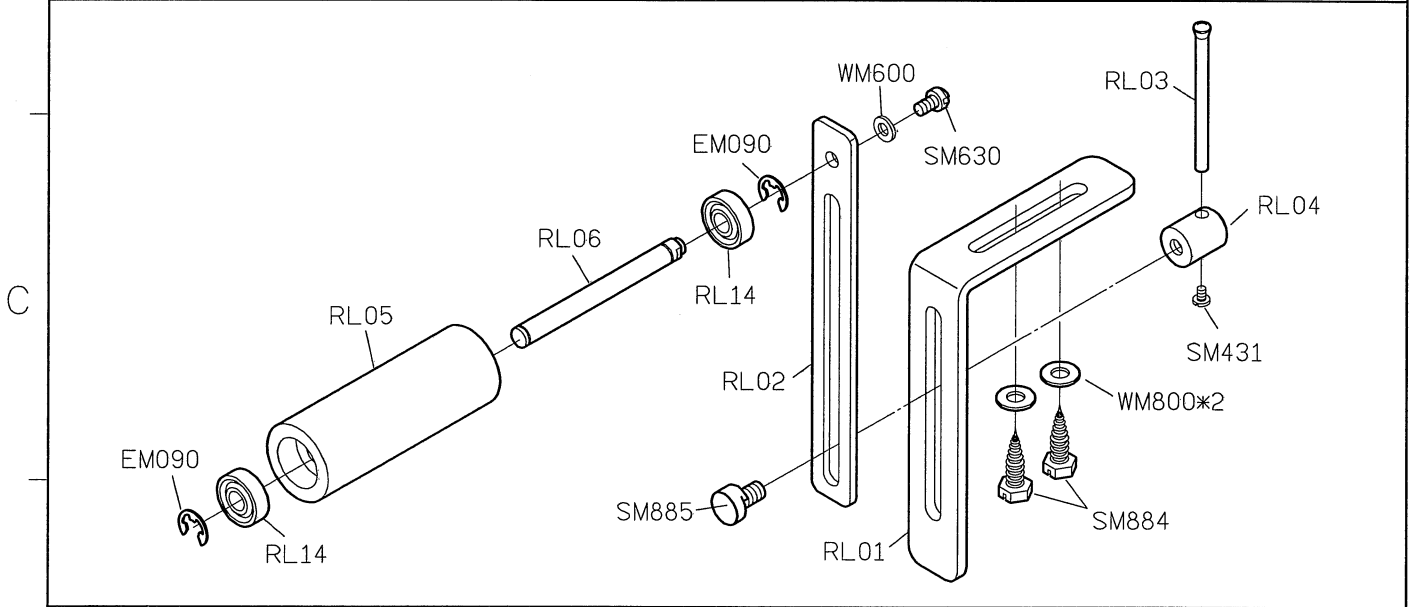
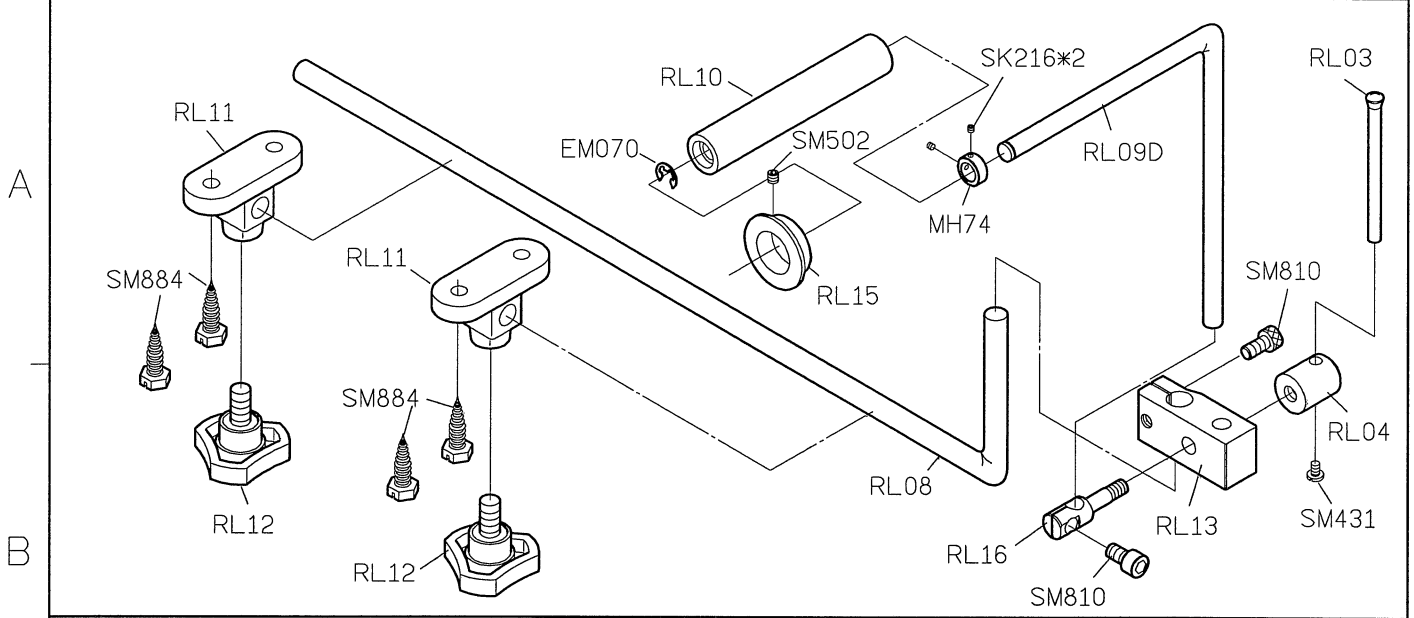
SIRUBA PARTS LIST	Series	Parts Group	Subclass / Remark	Page
	C007K/C007KD C858K	RLP		1/1
				Date
				2016/8/30



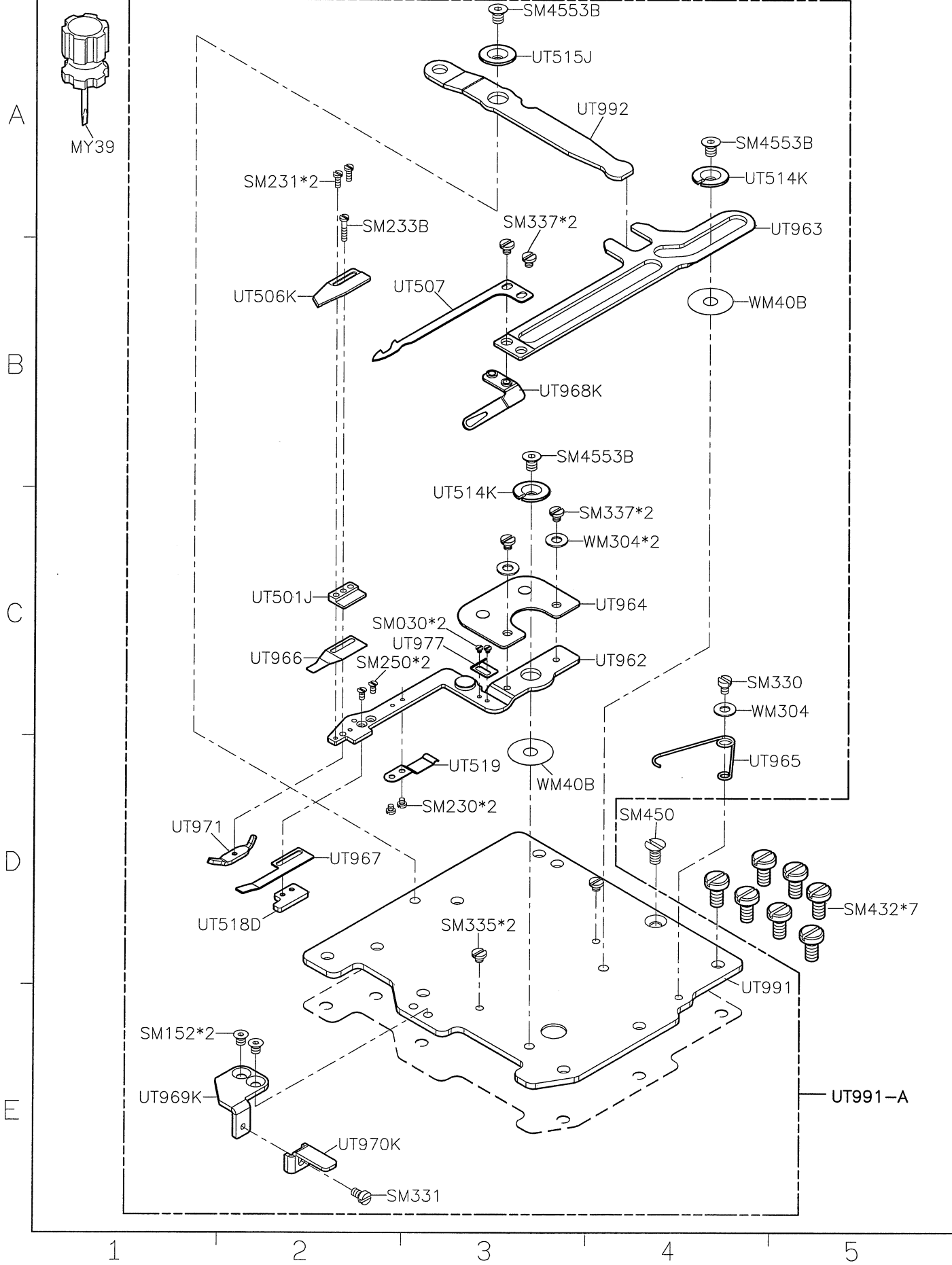
SIRUBA PARTS LIST	Series	Parts Group	Subclass / Remark	Page
	C007K/C007KD C858K	RLQ		1/1
				Date
				2016/8/30



SIRUBA PARTS LIST	Series	Parts Group	Subclass / Remark	Page
	C007K/C007KD	RL		1/1
	C858K			Date
				2016/8/30



1 2 3 4 5



SIRUBA

PARTS LIST

Series

C007K/C007KD
C858K

Parts Group

UTP(UTQ)-K

Subclass / Remark

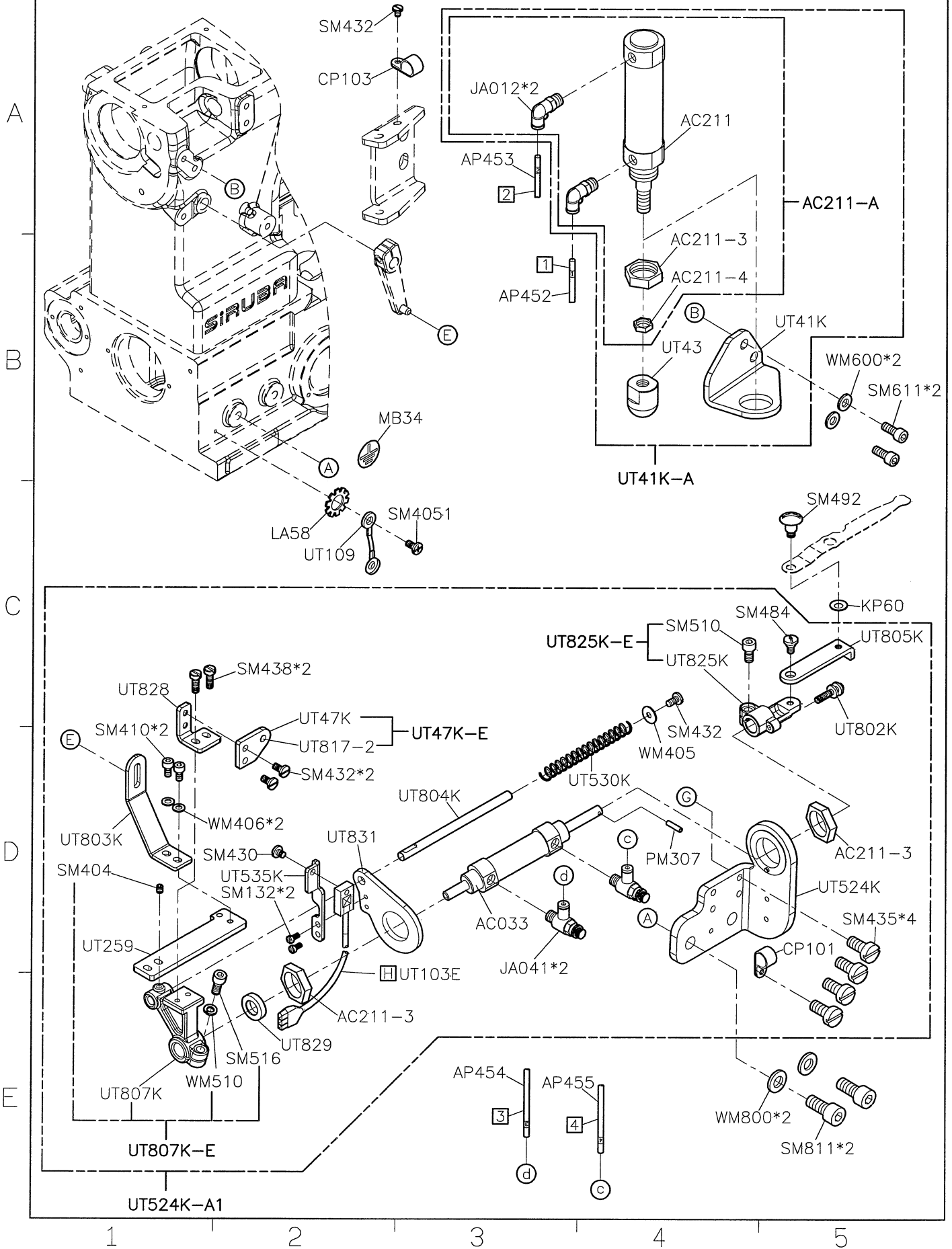
H : Use for H brand motor

Page

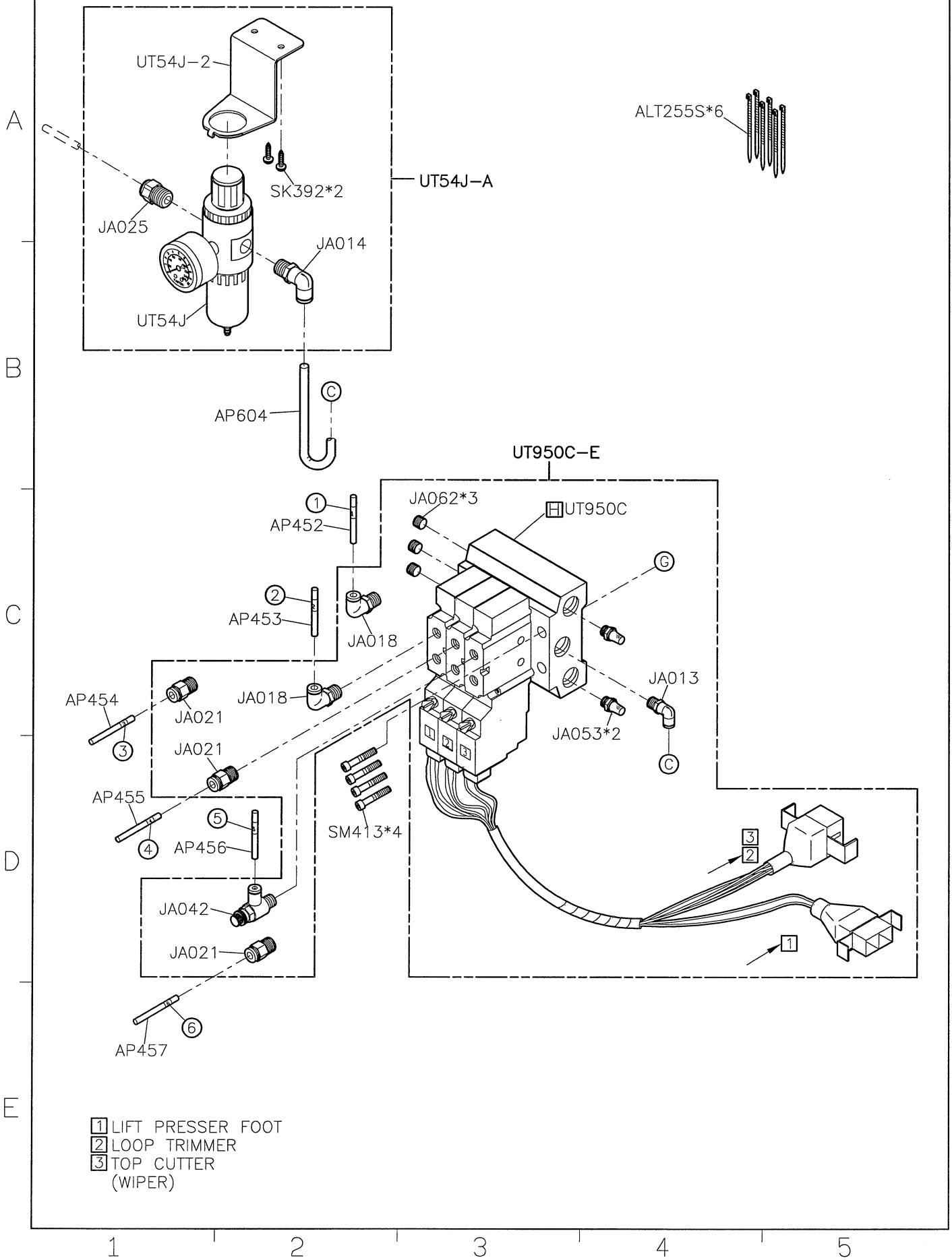
2/10

Date

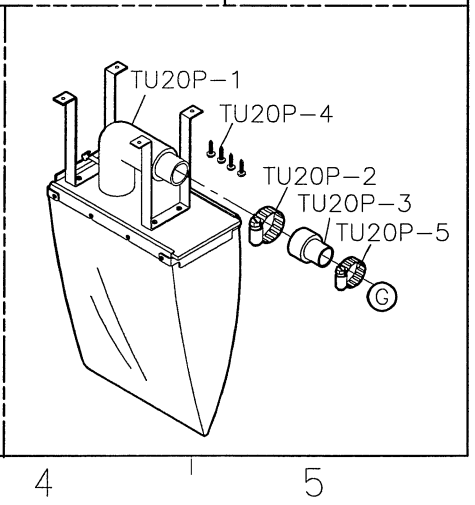
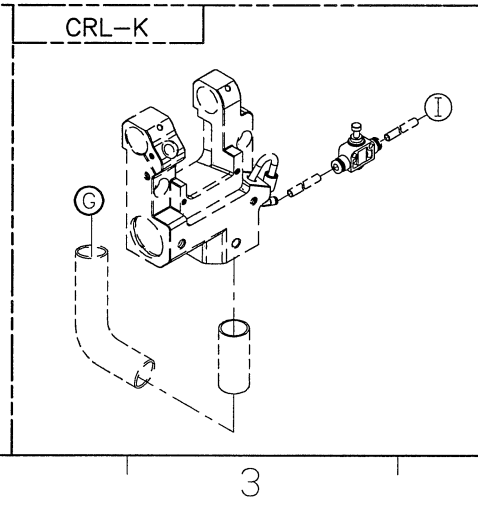
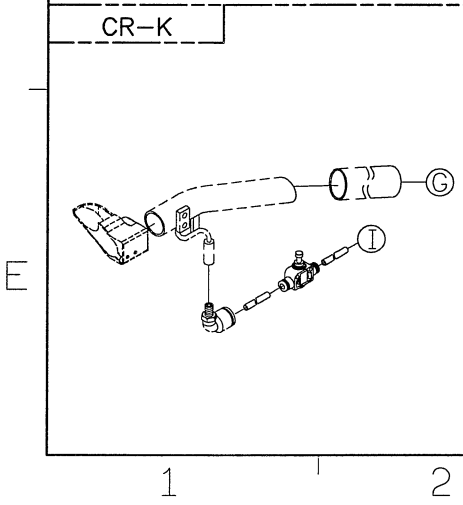
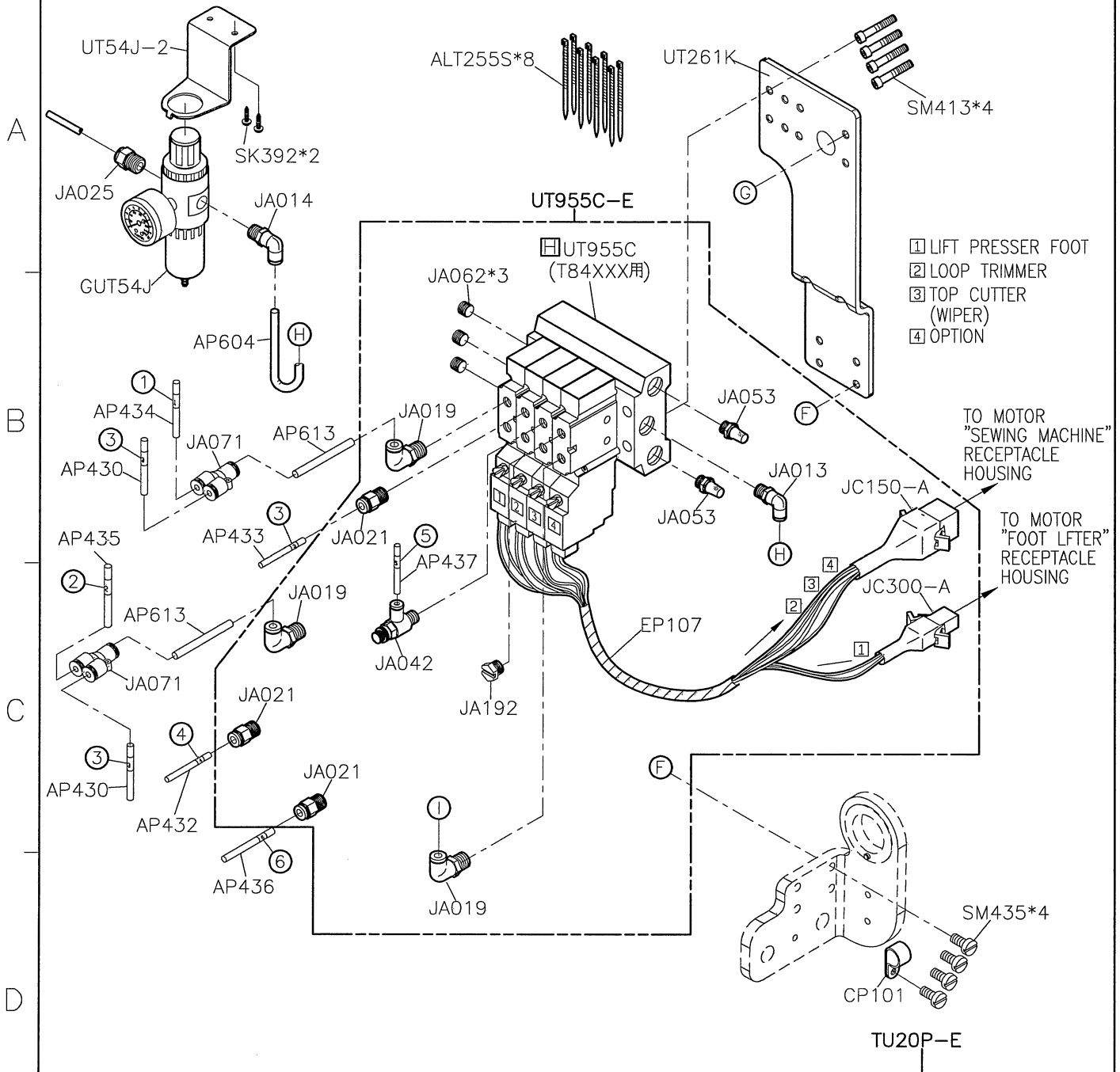
2016/8/30



SIRUBA PARTS LIST	Series	Parts Group	Subclass / Remark	Page
	C007K/C007KD C858K	UTP(UTQ)-K	[H] : Use for H brand motor	3/10
			Date	2016/8/30



SIRUBA PARTS LIST	Series	Parts Group	Subclass / Remark	Page
	C007K/C007KD C858K	UTP(UTQ)-K	☐ : Use for H brand motor	4/10
				Date
				2016/8/30



SIRUBA PARTS LIST	Series	Parts Group	Subclass / Remark	Page
	C007K/C007KD C858K	UTP(UTQ)-K		5/10
				Date
				2016/8/30

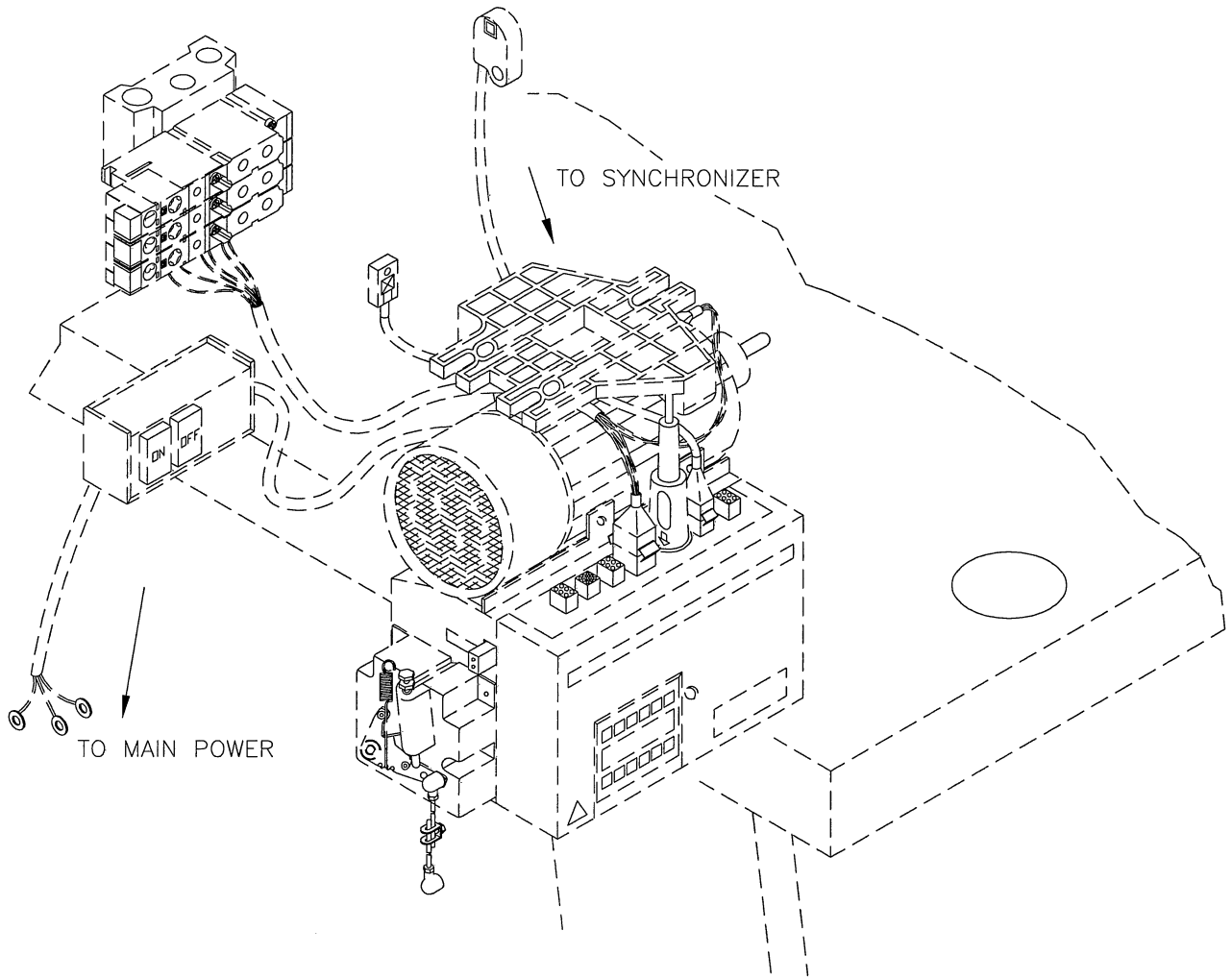
A

B

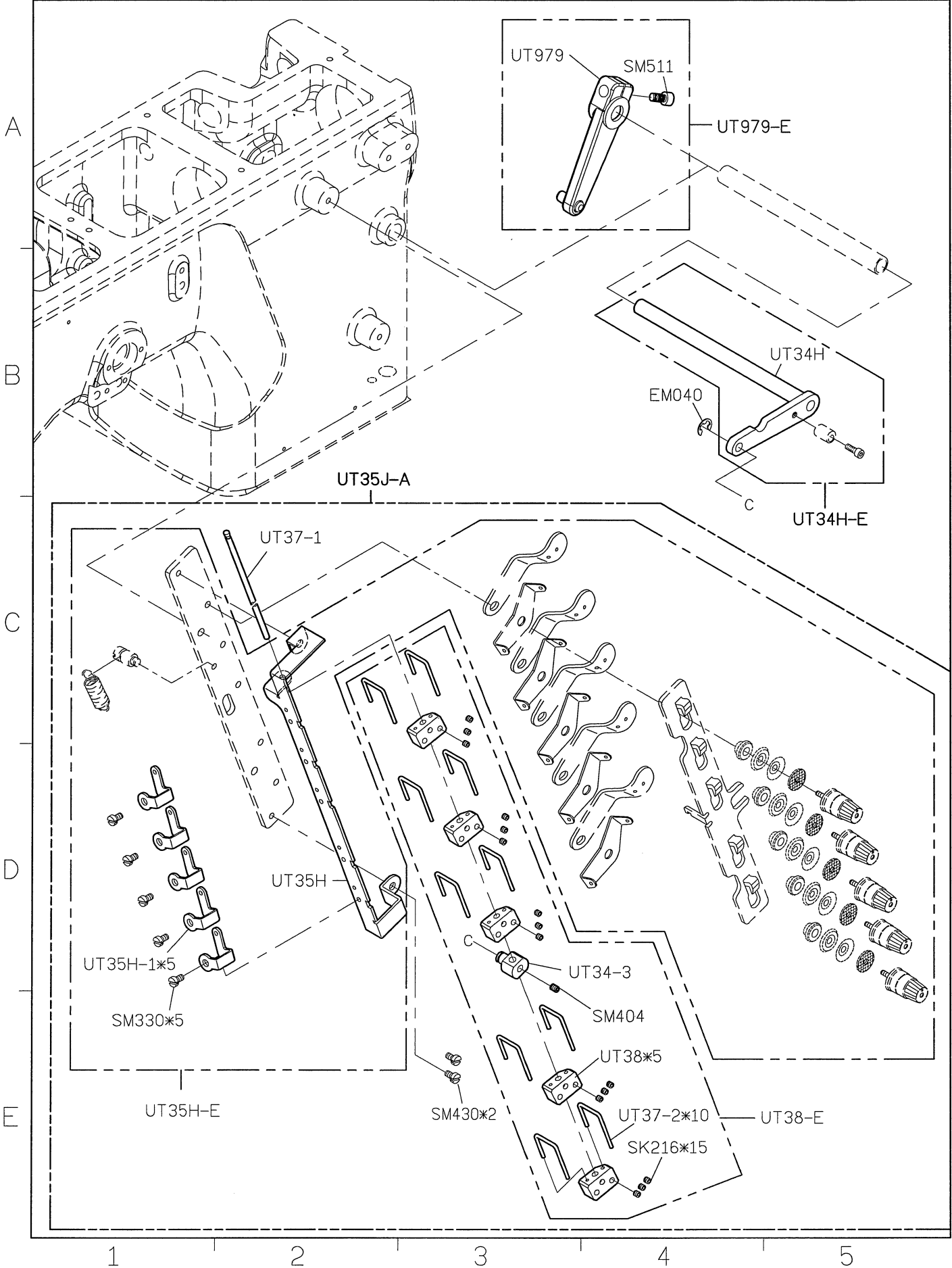
C

D

E



SIRUBA PARTS LIST	Series	Parts Group	Subclass / Remark	Page
	C007K/C007KD C858K	UTP(UTQ)-K		6/10
				Date
				2016/8/30



SIRUBA PARTS LIST	Series	Parts Group	Subclass / Remark	Page
	C007K/C007KD C858K	UTQ-K		7/10
				Date
				2016/8/30

A

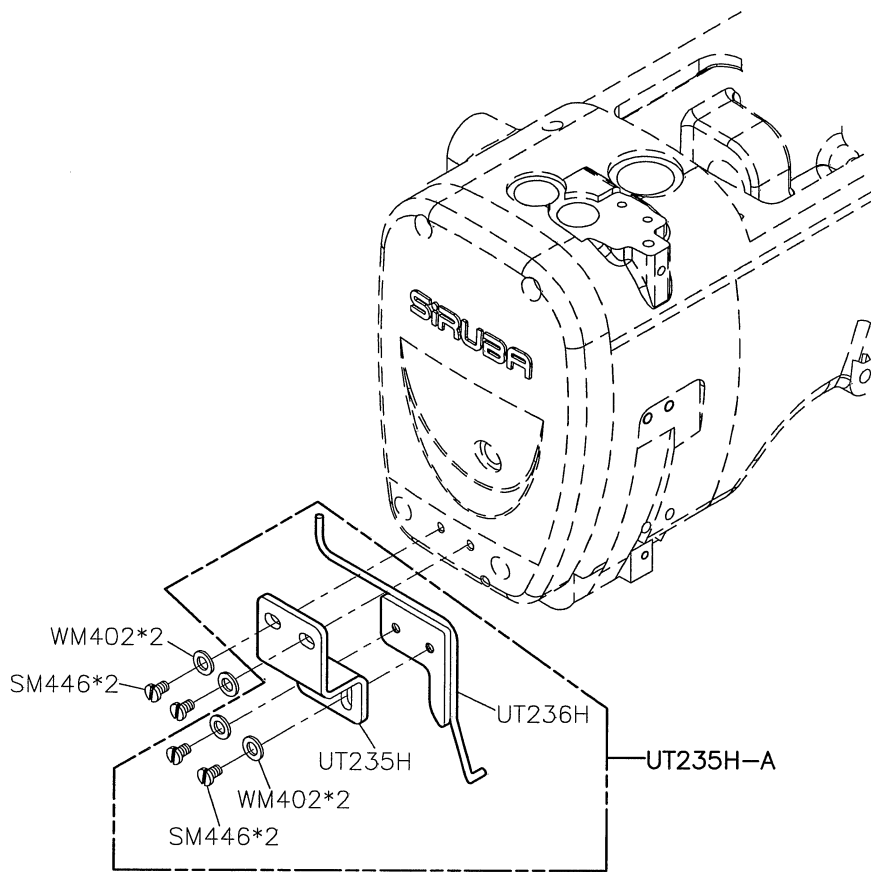
B

C

D

E

FOR LEFT SIDE



1

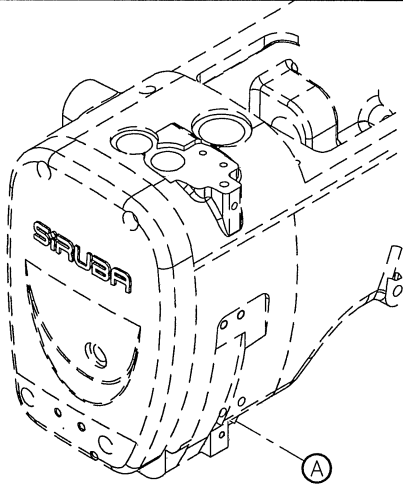
2

3

4

5

SIRUBA PARTS LIST	Series	Parts Group	Subclass / Remark	Page
	C007K/C007KD C858K	UTQ-K1	For allocation	8/10
				Date
				2016/8/30



A

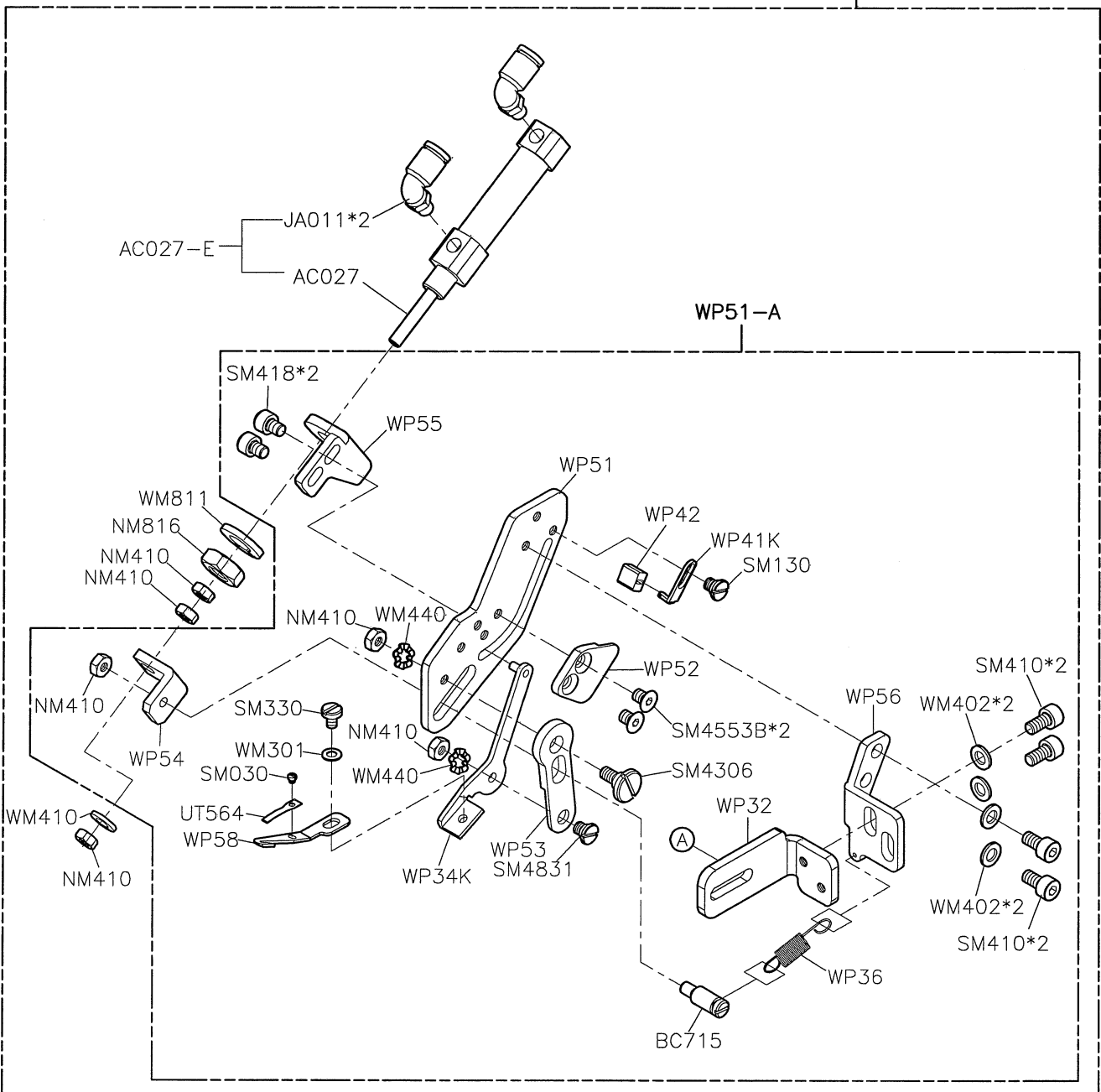
WP51-A1

B

C

D

E



1

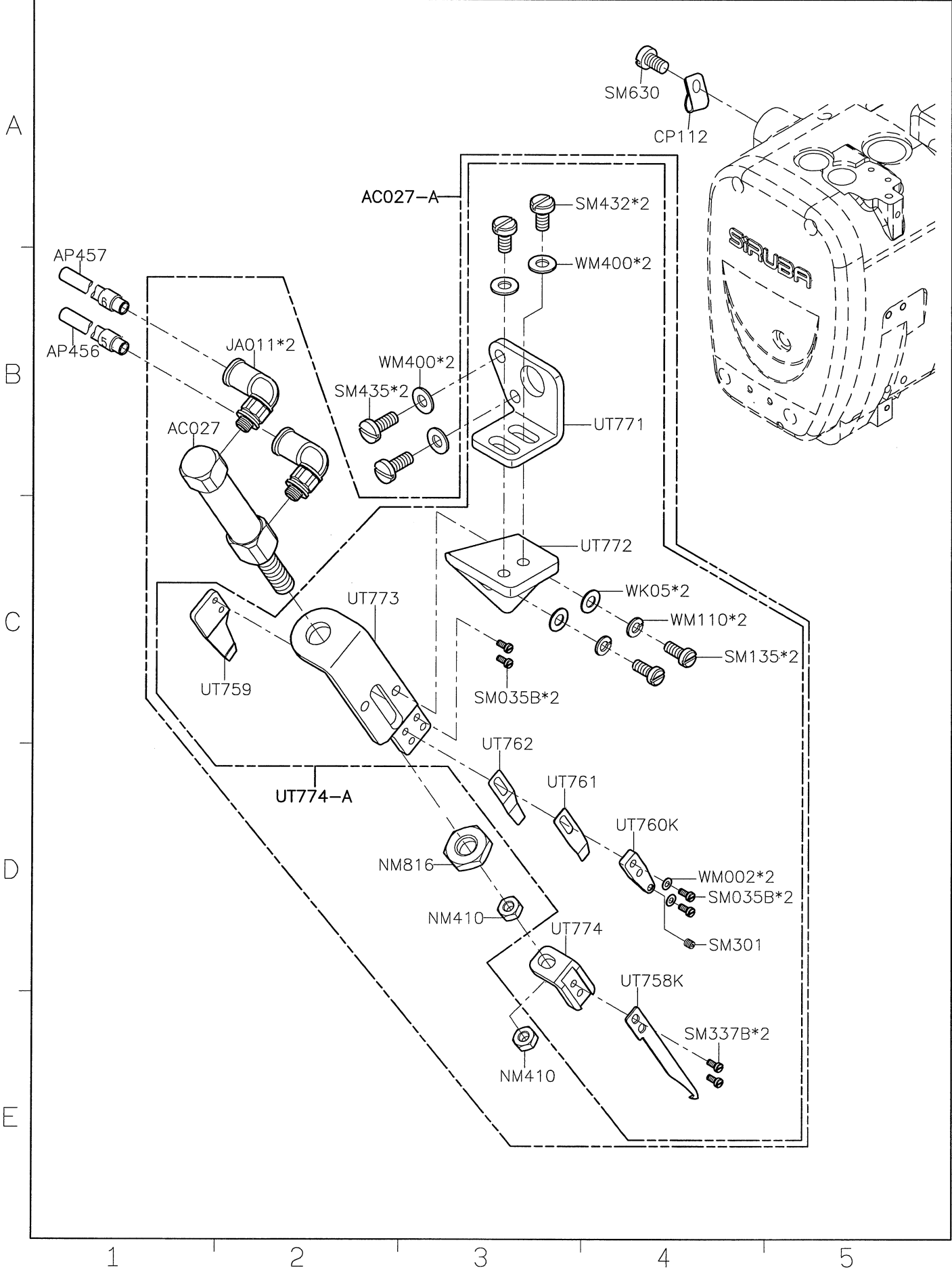
2

3

4

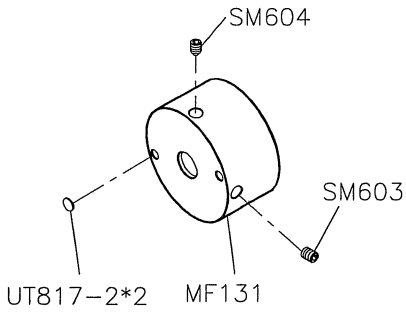
5

SIRUBA PARTS LIST	Series	Parts Group	Subclass / Remark	Page
	C007K/C007KD C858K	UTP-K		9/10
				Date
				2016/8/30



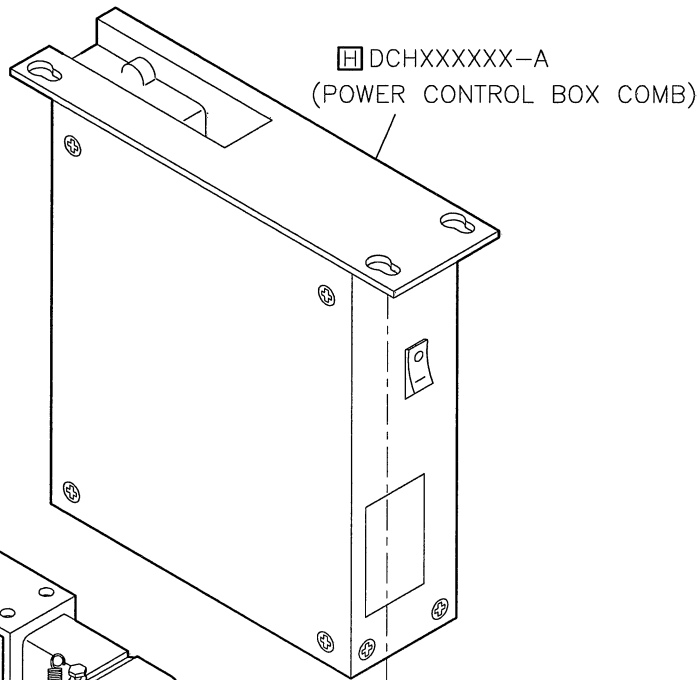
SIRUBA PARTS LIST	Series	Parts Group	Subclass / Remark	Page
	C007K/C007KD C858K	UTP(UTQ)-K	For C007KD ☐H : Use for H brand motor (i-60)	10/10
				Date
				2016/8/30

A

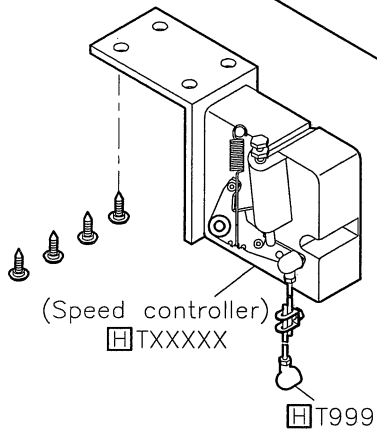


B

C



D



E

1

2

3

4

5

SIRUBA

PARTS LIST

Series

C007K/C007KD
C858K

Parts Group

UTR(UTS)-K

Subclass / Remark

Page

1/10

Date

2016/8/30

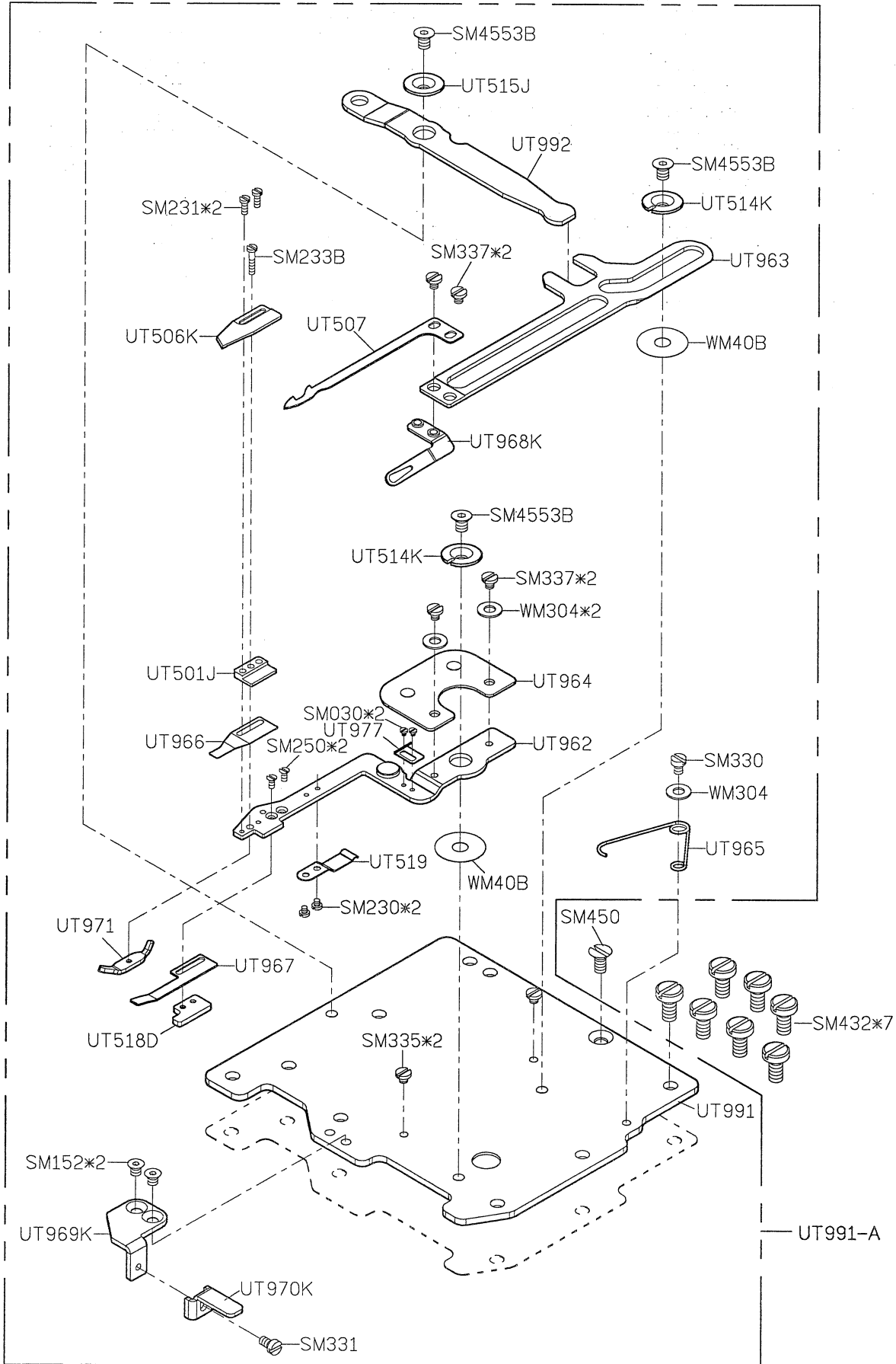
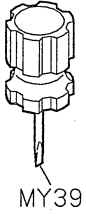
A

B

C

D

E



1 2 3 4 5

SIRUBA

PARTS LIST

Series

C007K/C007KD
C858K

Parts Group

UTR(UTS)-K

Subclass / Remark

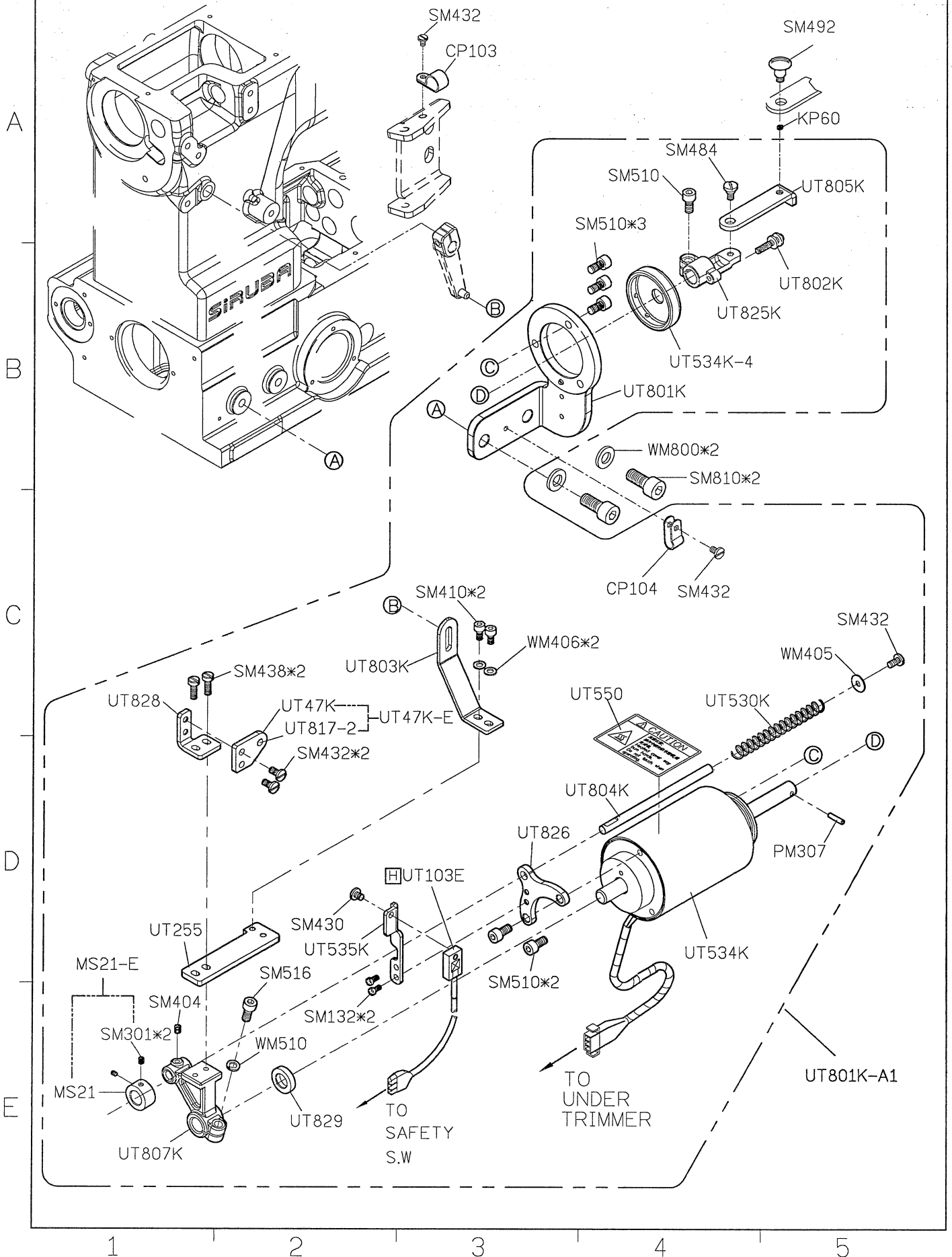
☐ : Use for H brand motor

Page

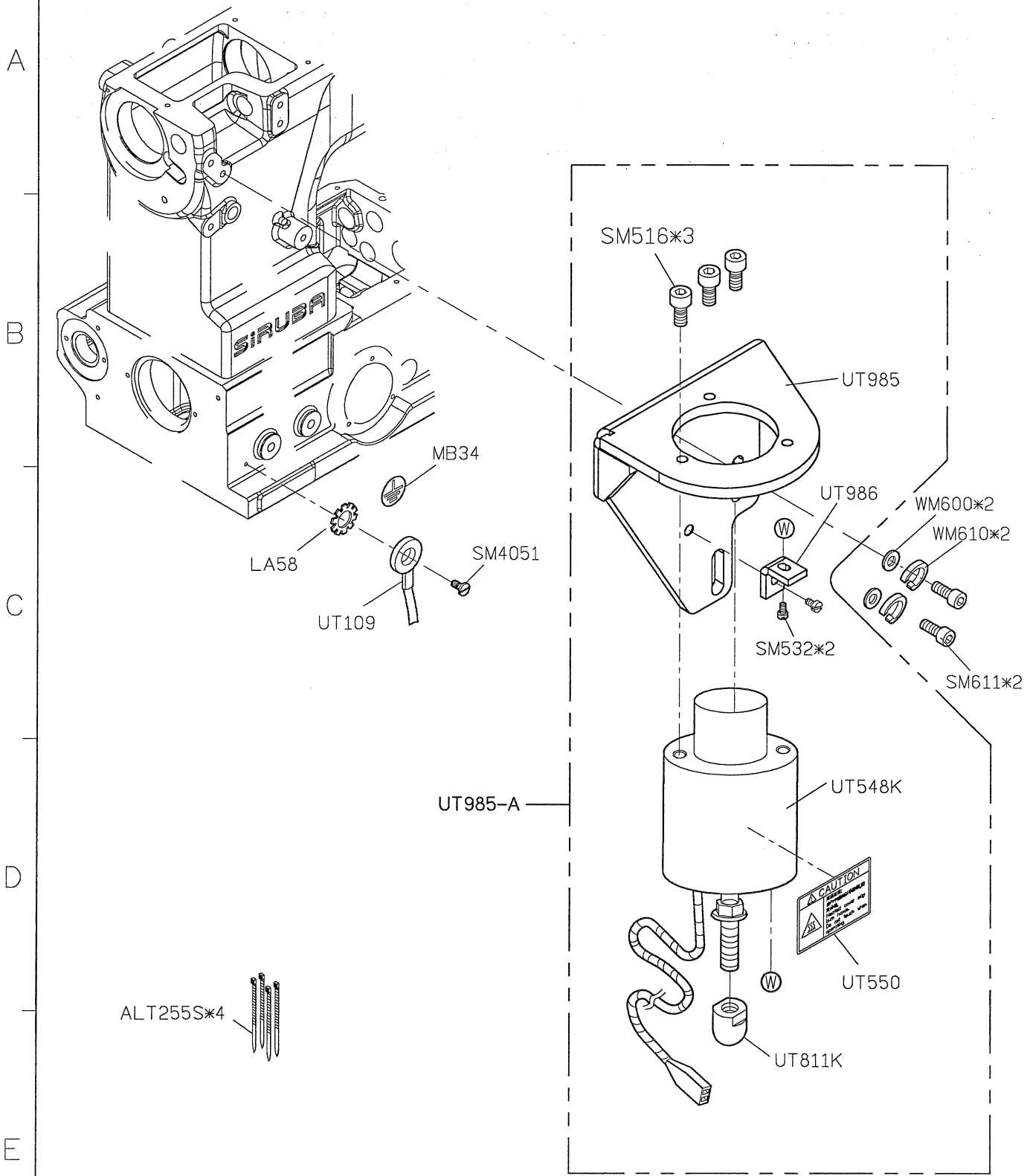
2/10

Date

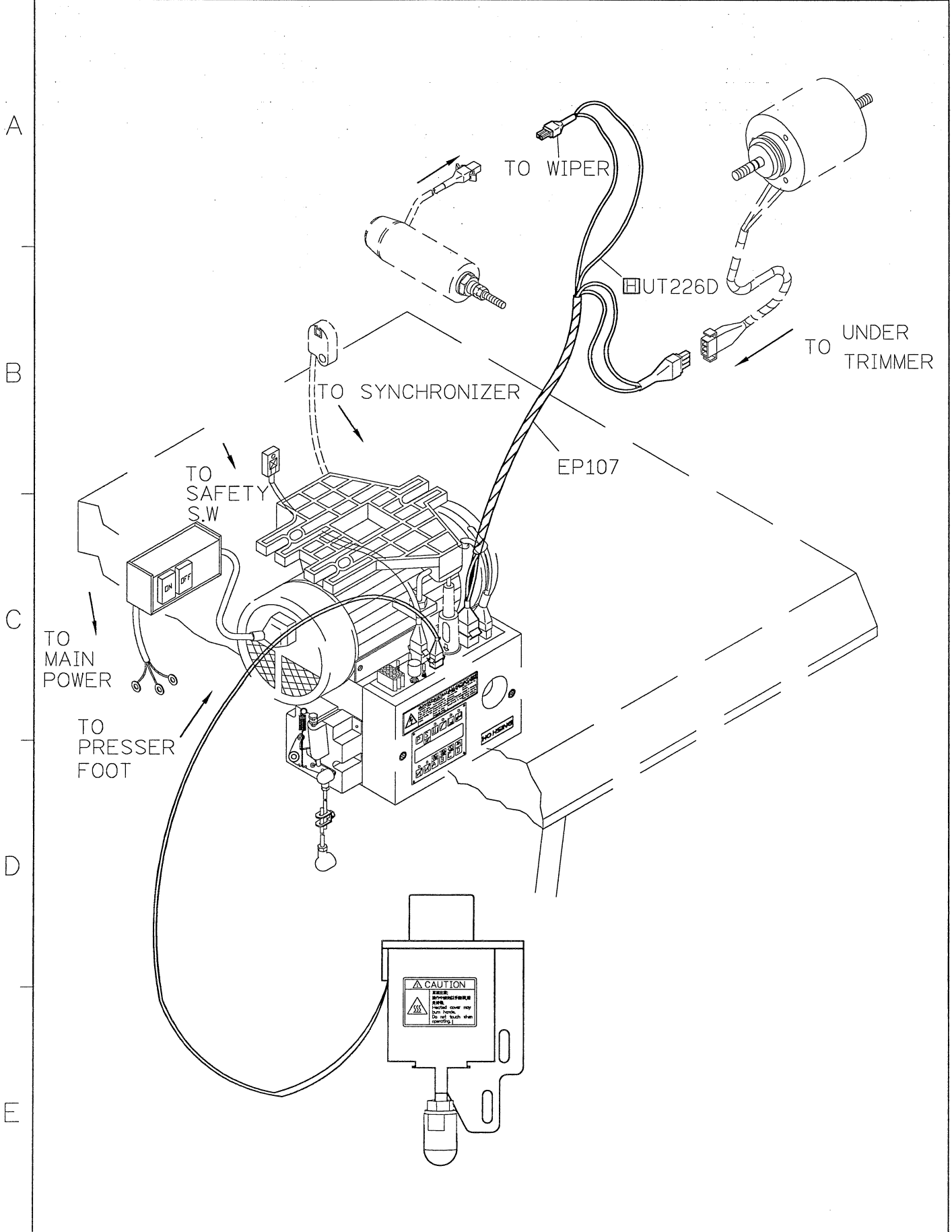
2016/8/30



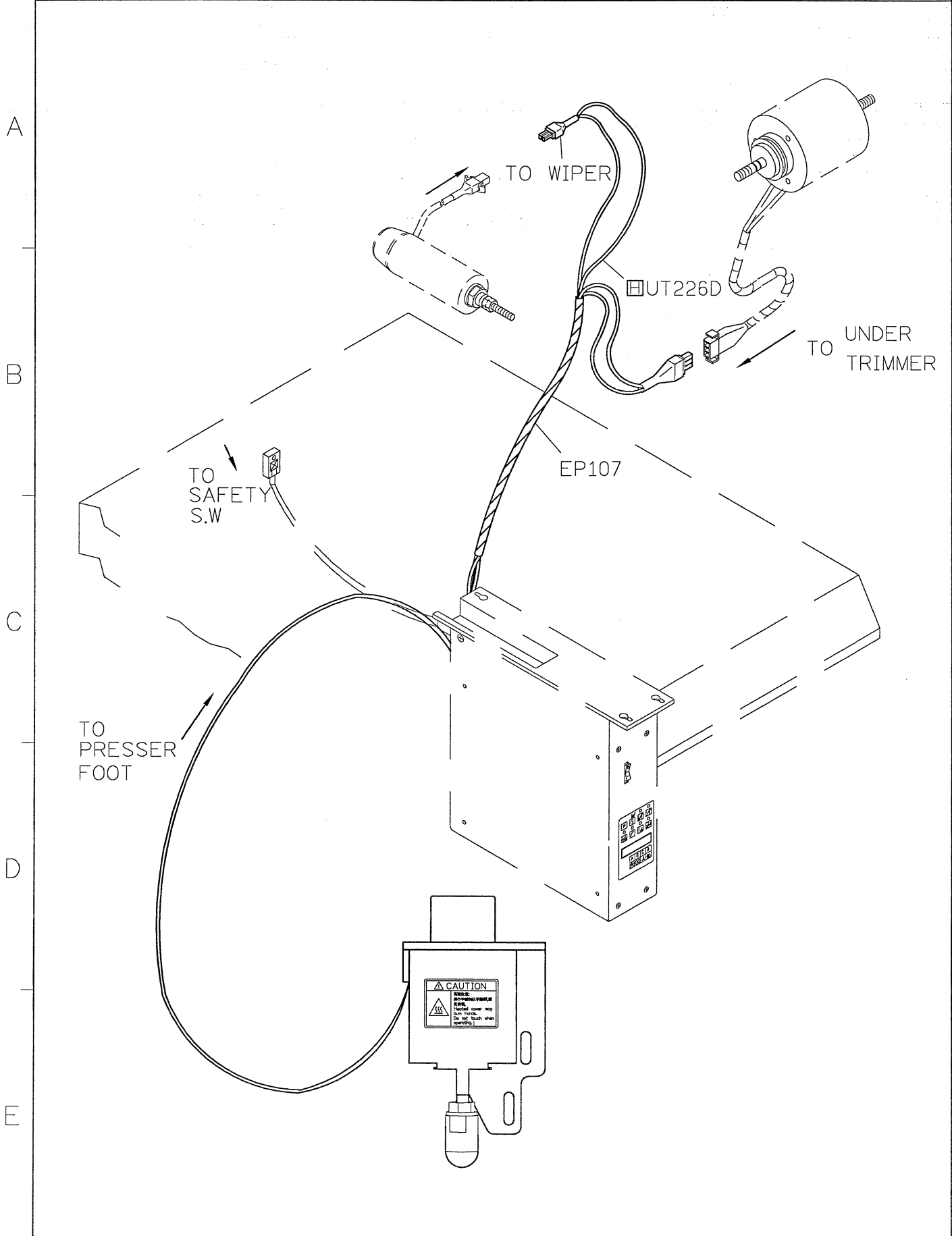
SIRUBA PARTS LIST	Series	Parts Group	Subclass / Remark	Page
	C007K/C007KD	UTR(UTS)-K		3/10
	C858K			Date
				2016/8/30



SIRUBA PARTS LIST	Series	Parts Group	Subclass / Remark	Page
	C007K/C007KD C858K	UTR(UTS)-K	For C007K/C858K ☐ : Use for H brand motor	4/10
				Date 2016/8/30



SIRUBA PARTS LIST	Series	Parts Group	Subclass / Remark	Page
	C007K/C007KD C858K	UTR(UTS)-K	For C007KD ☐ : Use for H brand motor	5/10
				Date 2016/8/30



SIRUBA

PARTS LIST

Series

C007K/C007KD
C858K

Parts Group

UTR-K

Subclass / Remark

Page

6/10

Date

2016/8/30

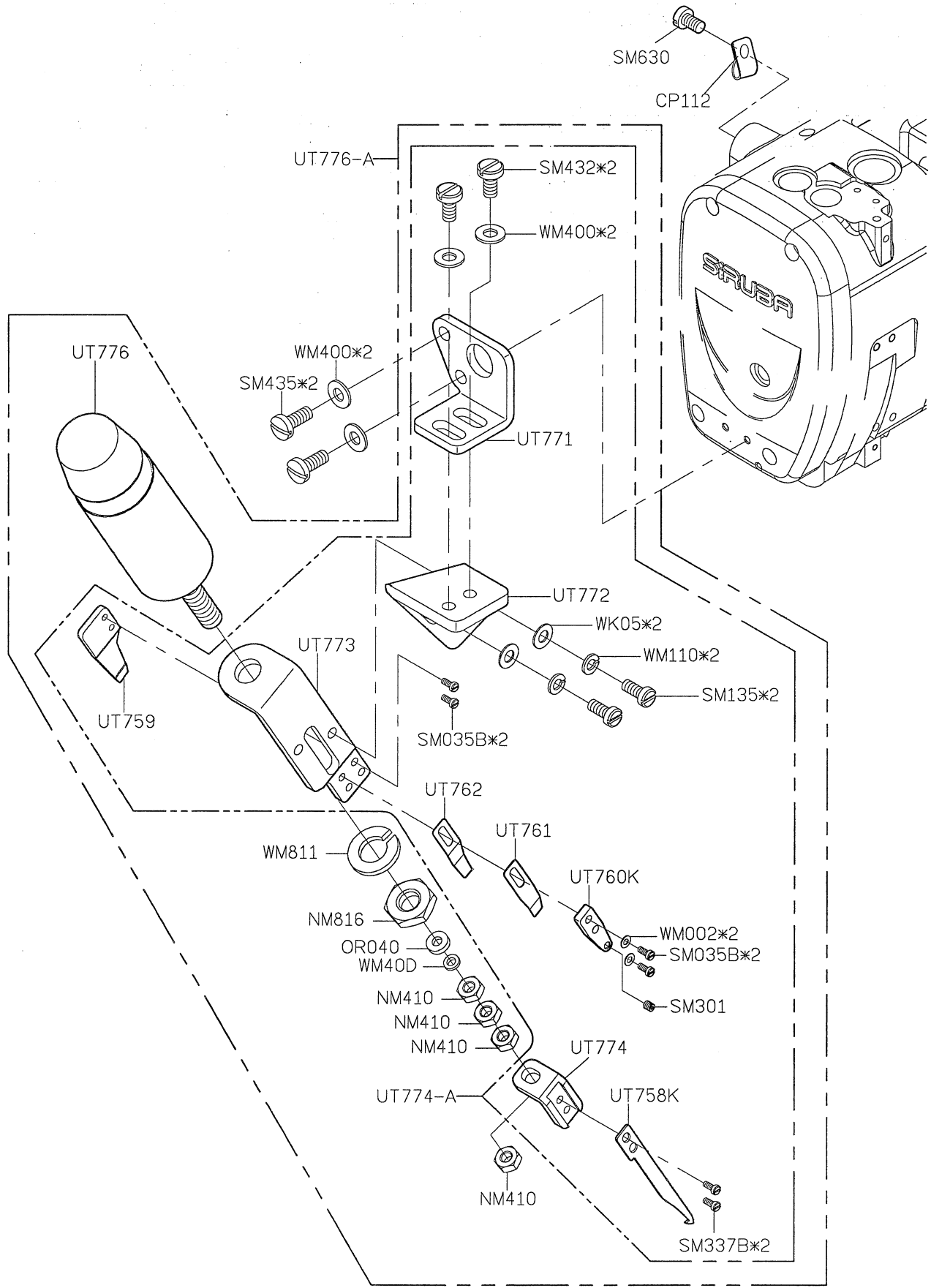
A

B

C

D

E



1

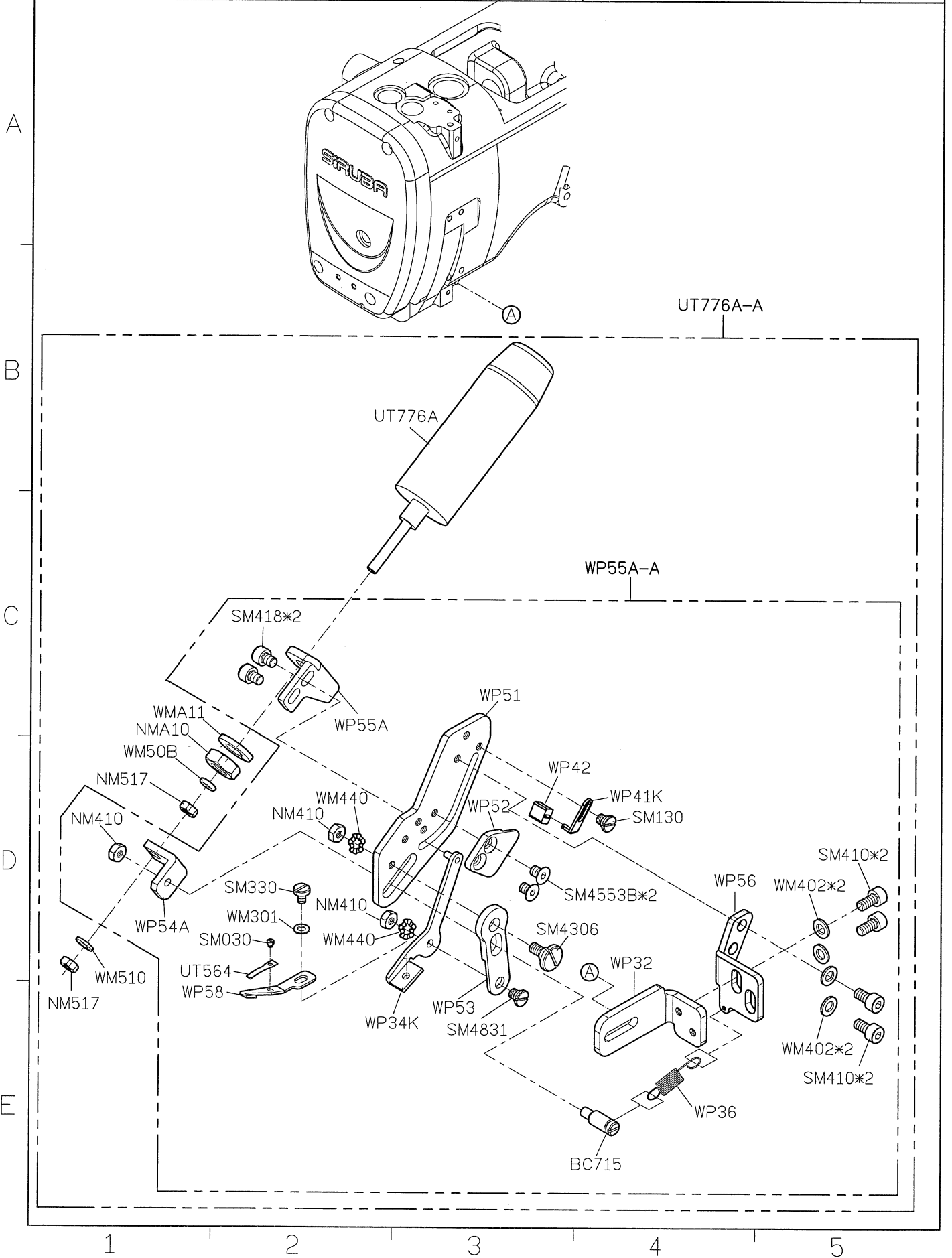
2

3

4

5

SIRUBA PARTS LIST	Series	Parts Group	Subclass / Remark	Page
	C007K/C007KD C858K	UTS-K		7/10
				Date
				2016/10/19



SIRUBA

PARTS LIST

Series

C007K/C007KD
C858K

Parts Group

UTR(UTS)-K

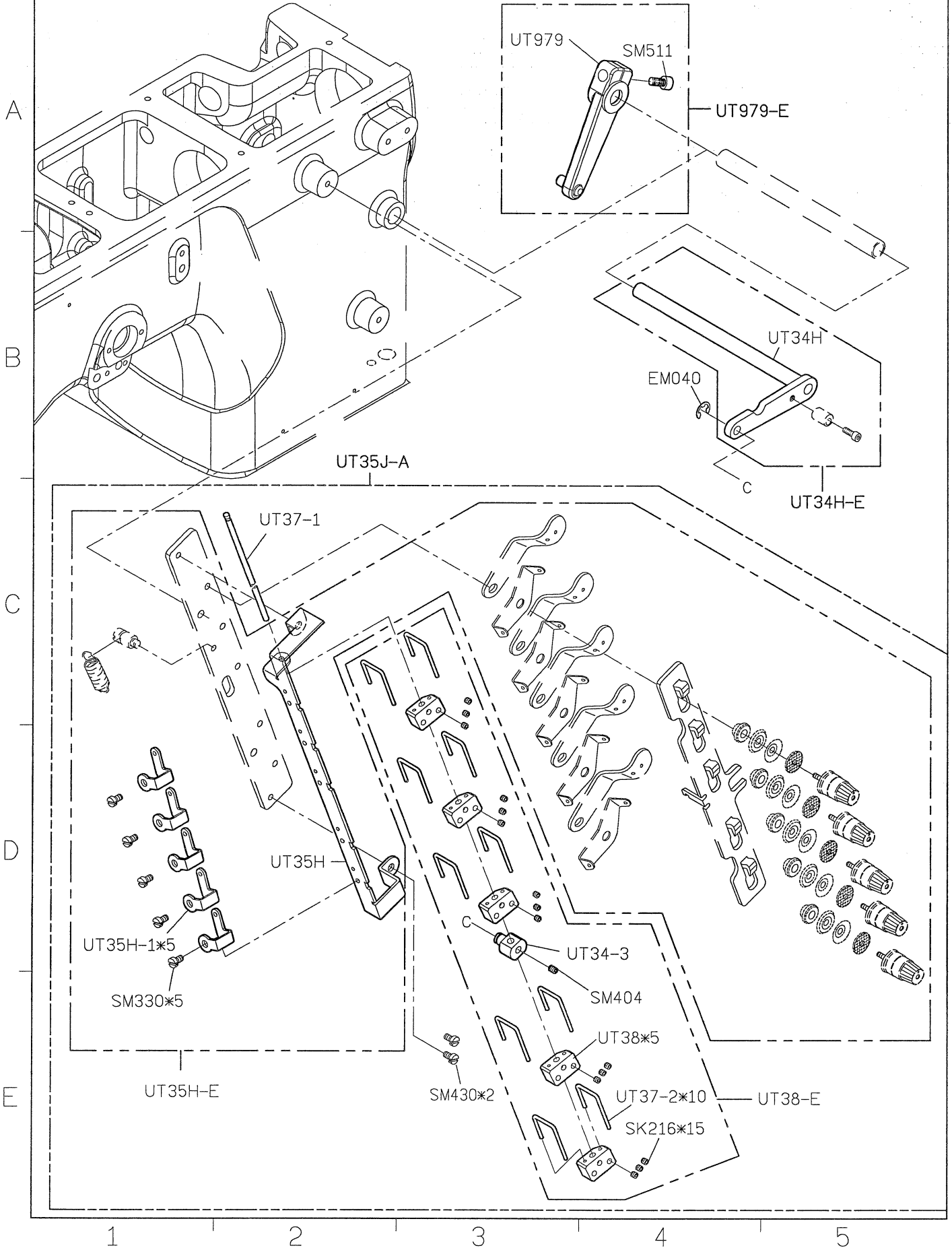
Subclass / Remark

Page

8/10

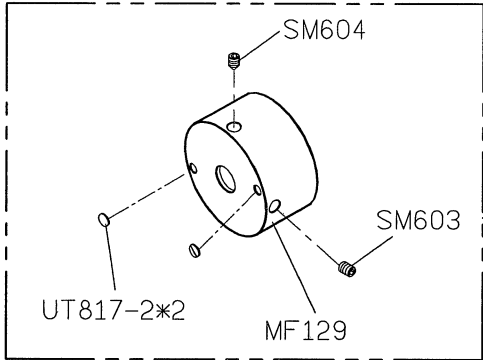
Date

2016/8/30



SiRUBA PARTS LIST	Series	Parts Group	Subclass / Remark	Page
	C007K/C007KD C858K	UTR(UTS)-K	For C007K/C858K ☐ : Use for H brand motor	9/10
				Date 2016/8/30

A



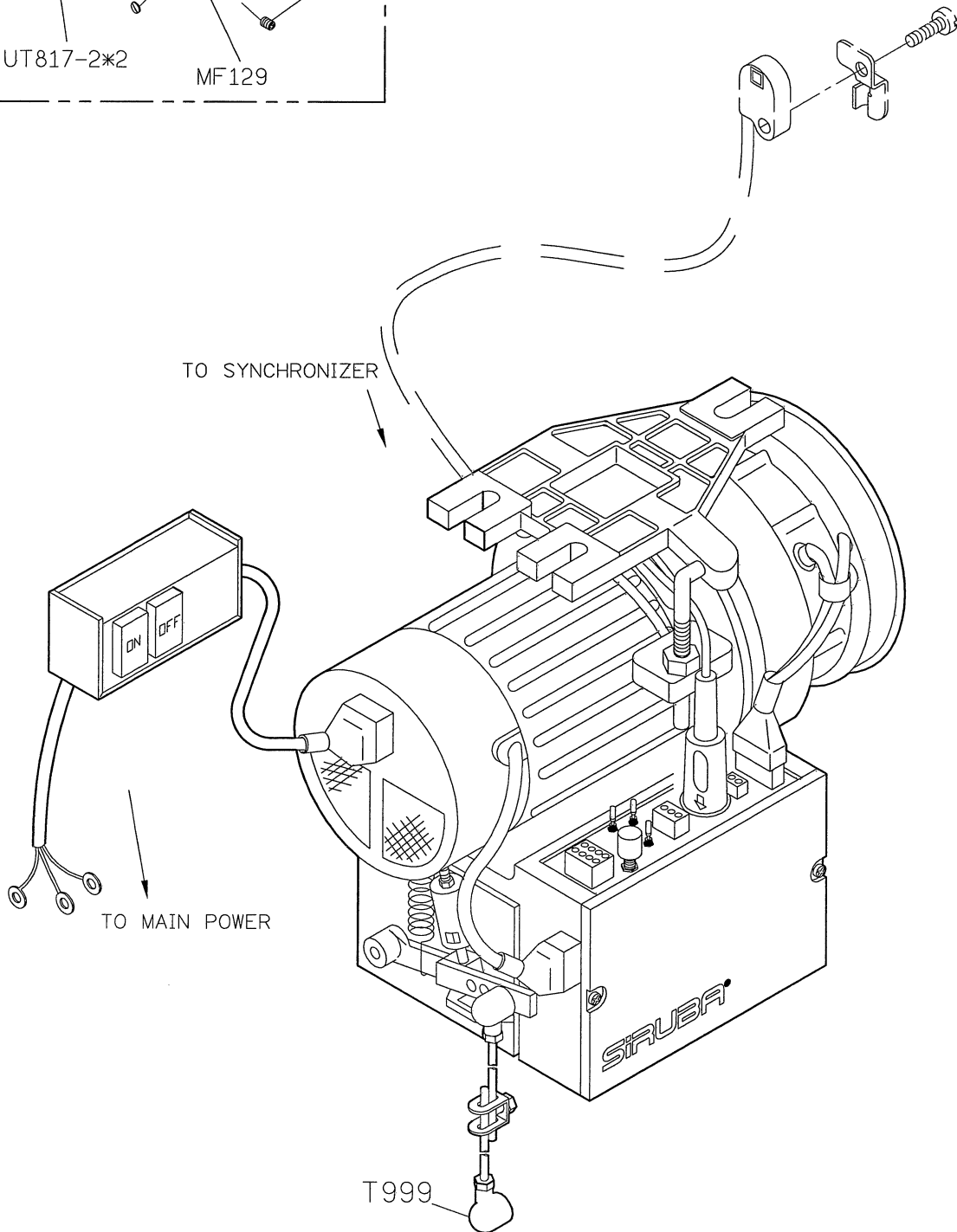
UT818J-A

B

C

D

E



1

2

3

4

5

SIRUBA PARTS LIST	Series	Parts Group	Subclass / Remark	Page
	C007K/C007KD C858K	UTR(UTS)-K	For C007KD ☐ : Use for H brand motor (i - 60)	10/10 Date 2016/8/30

A
B
C
D
E

