

C007J PARTS LIST FOR CC-J GROUP P.1/1

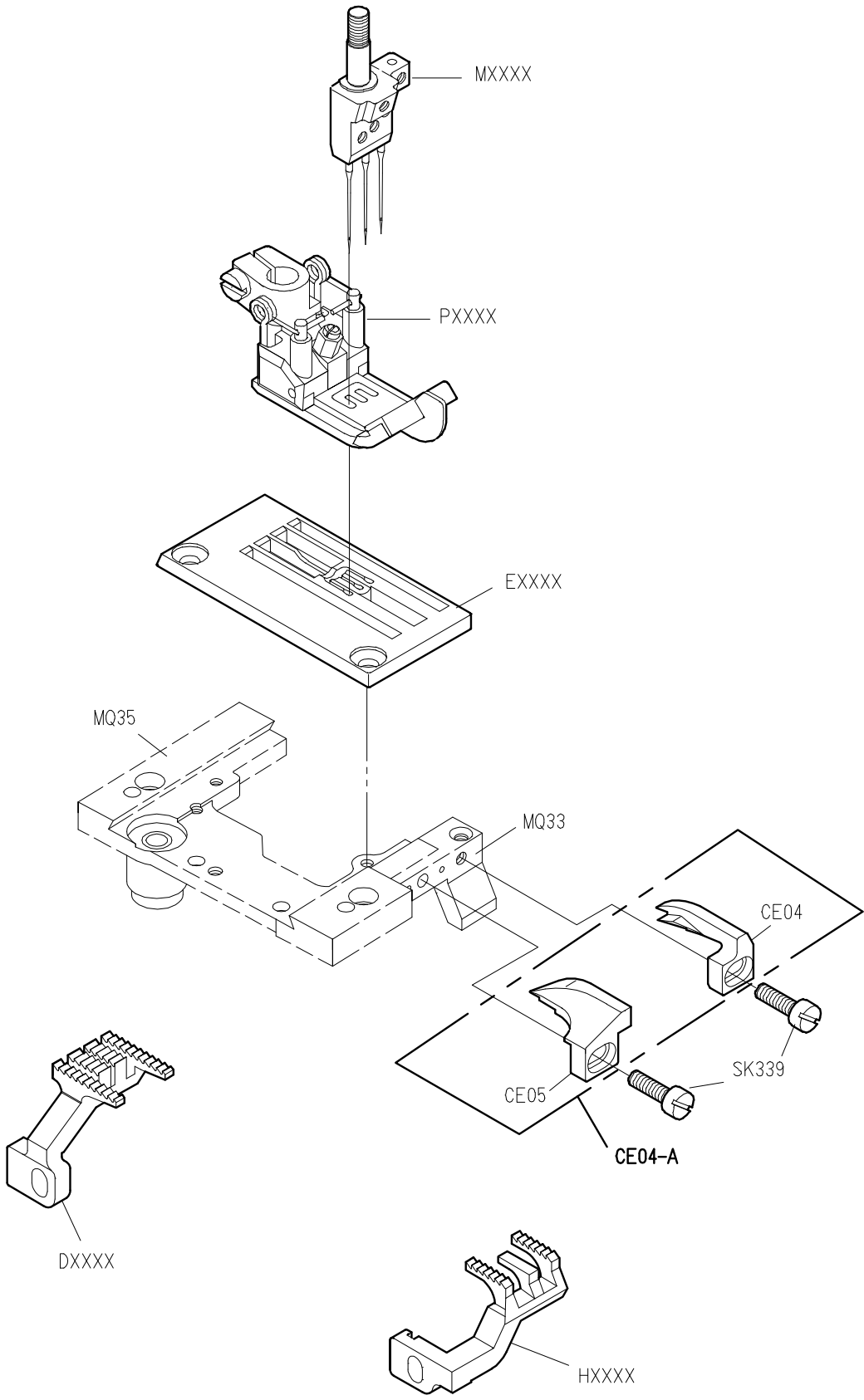
A

B

C

D

E



C007J PARTS LIST FOR CD-J GROUP P.1/1

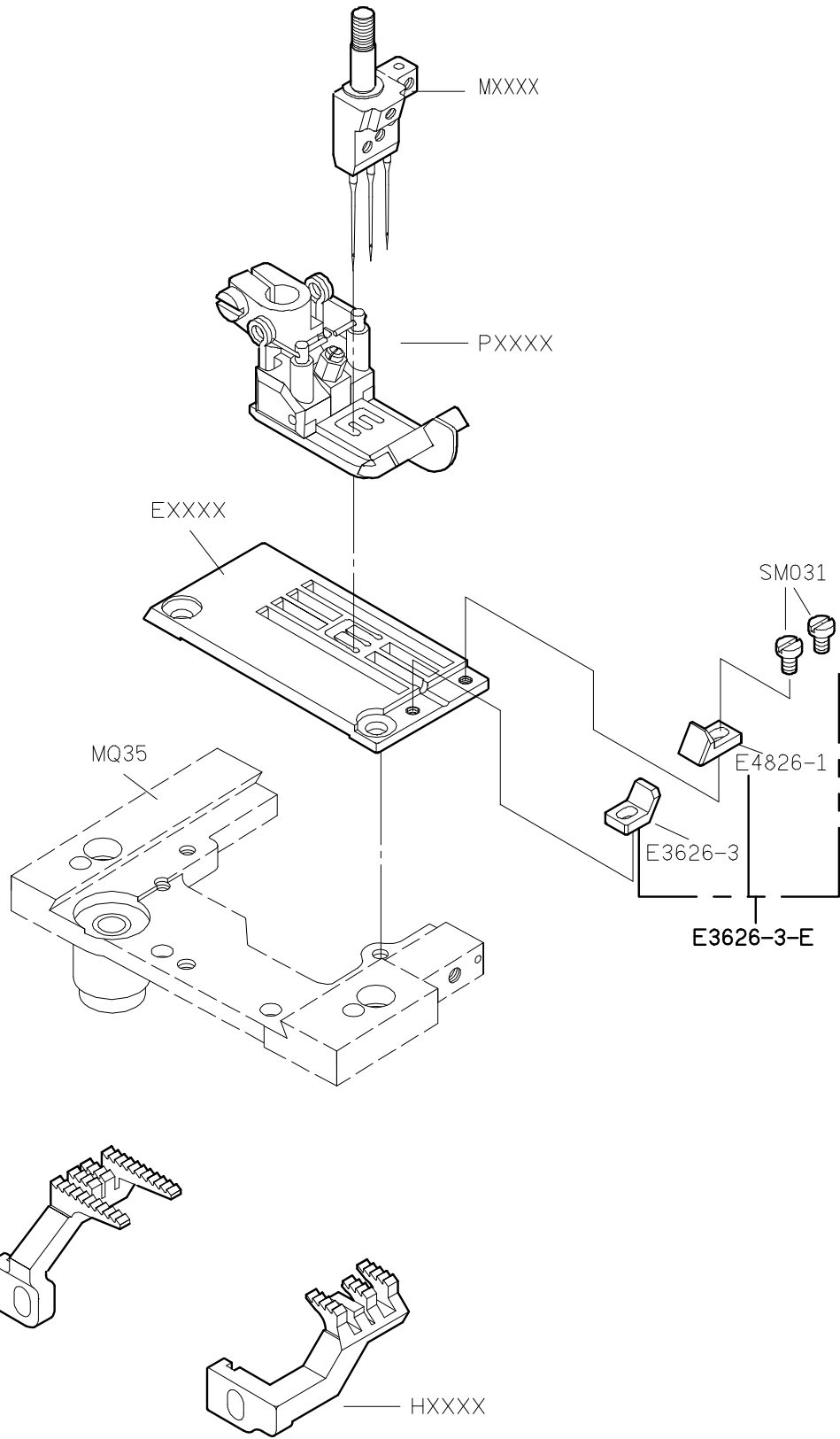
A

B

C

D

E



C007J PARTS LIST FOR CE-J GROUP P.1/1

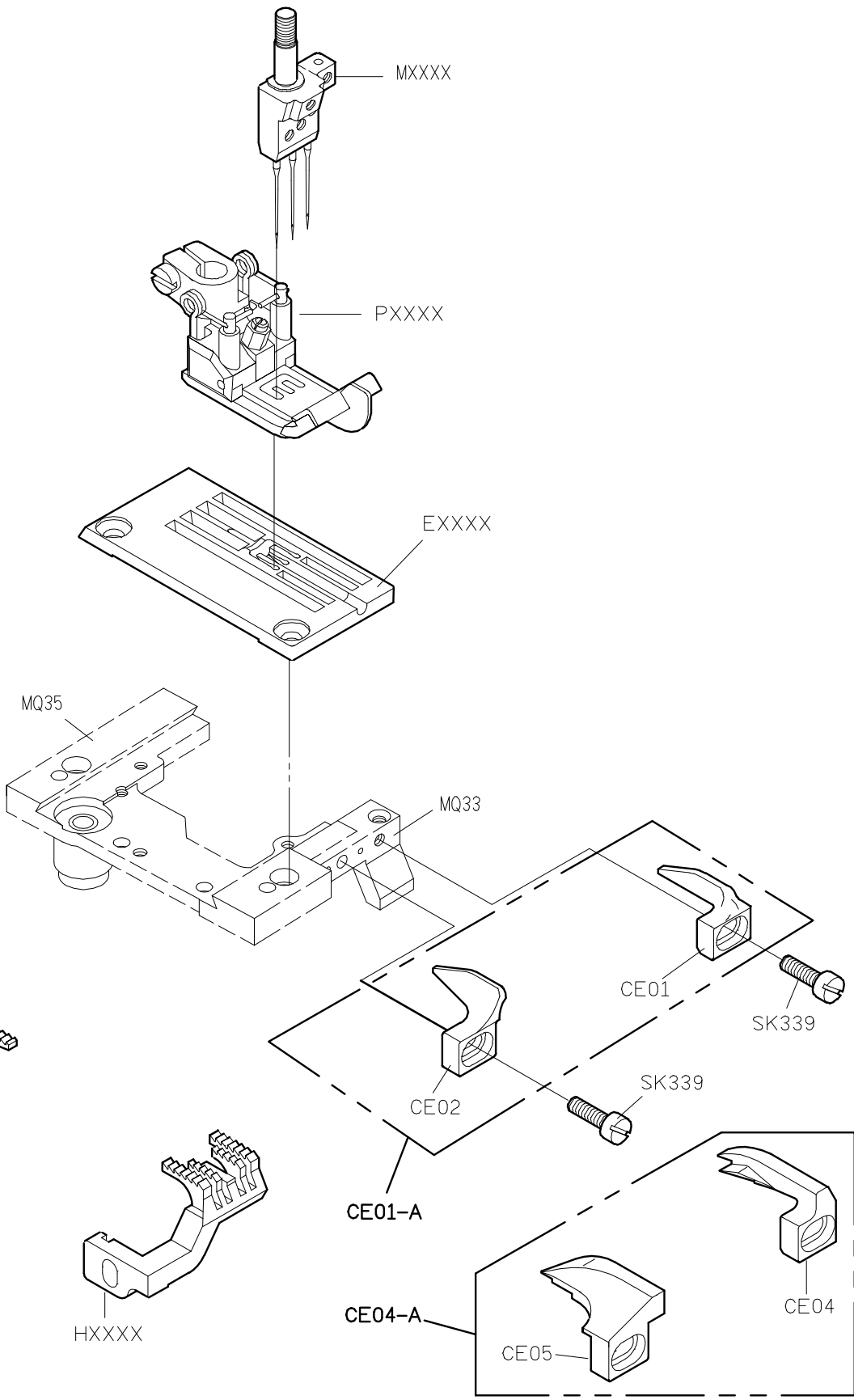
A

B

C

D

E



C007J PARTS LIST FOR CF-J GROUP P.1/1

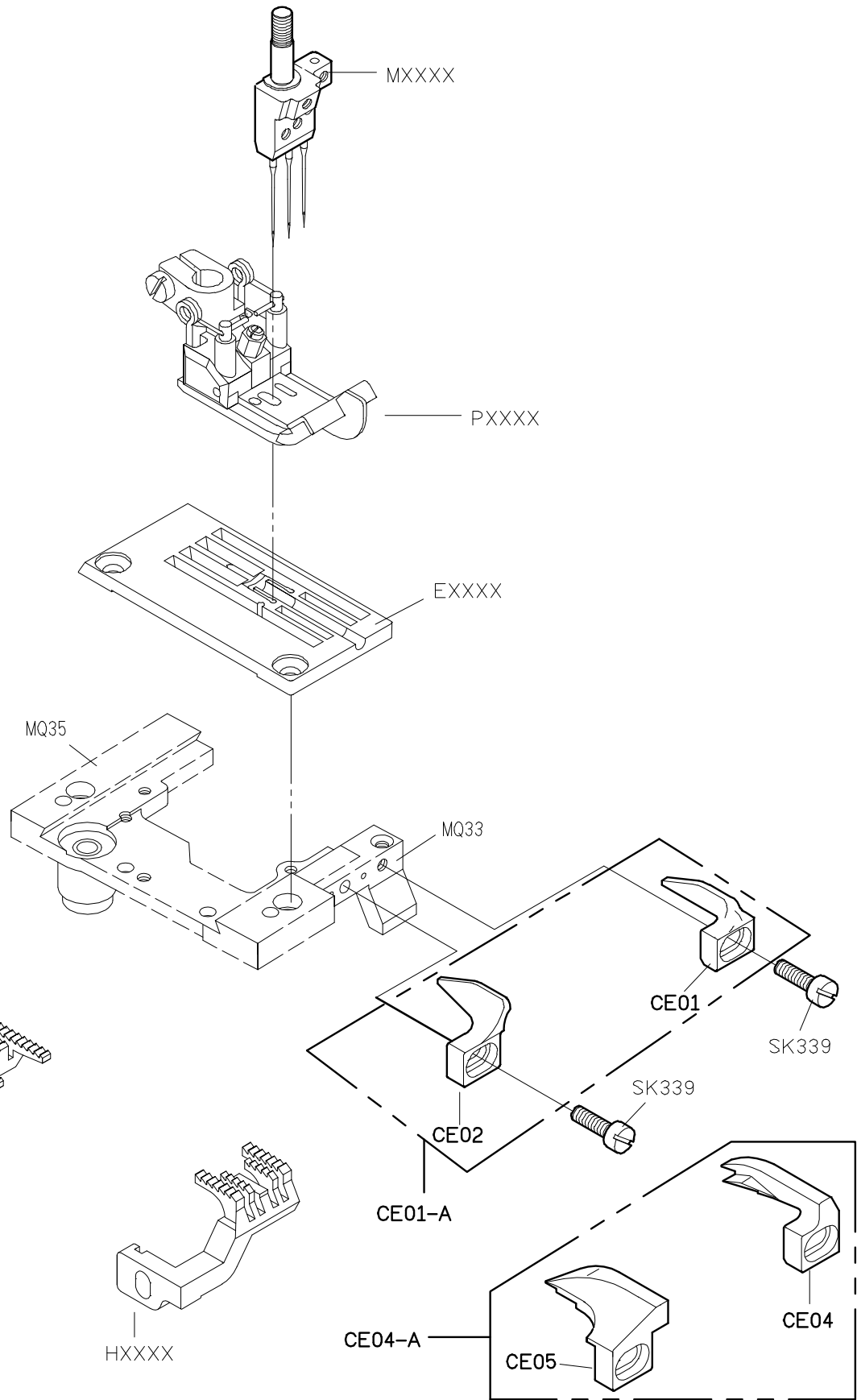
A

B

C

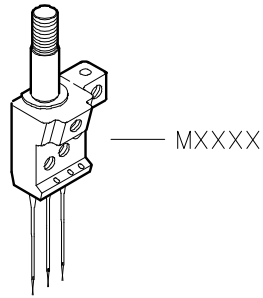
D

E



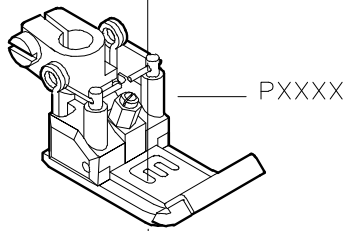
C007J PARTS LIST FOR CHA-J GROUP P.1/1

A



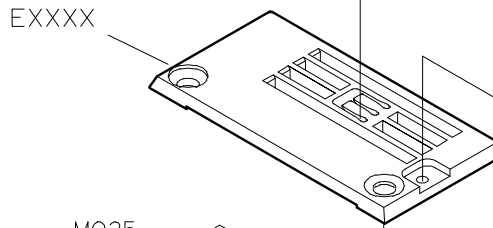
MXXXX

B

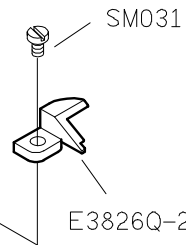


PXXXX

C



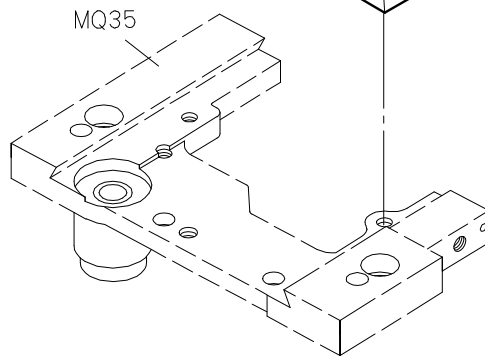
EXXXX



SM031

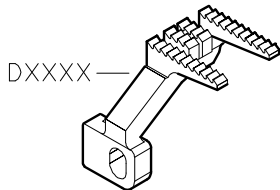
E3826Q-2

D

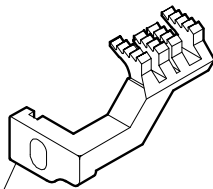


MQ35

E

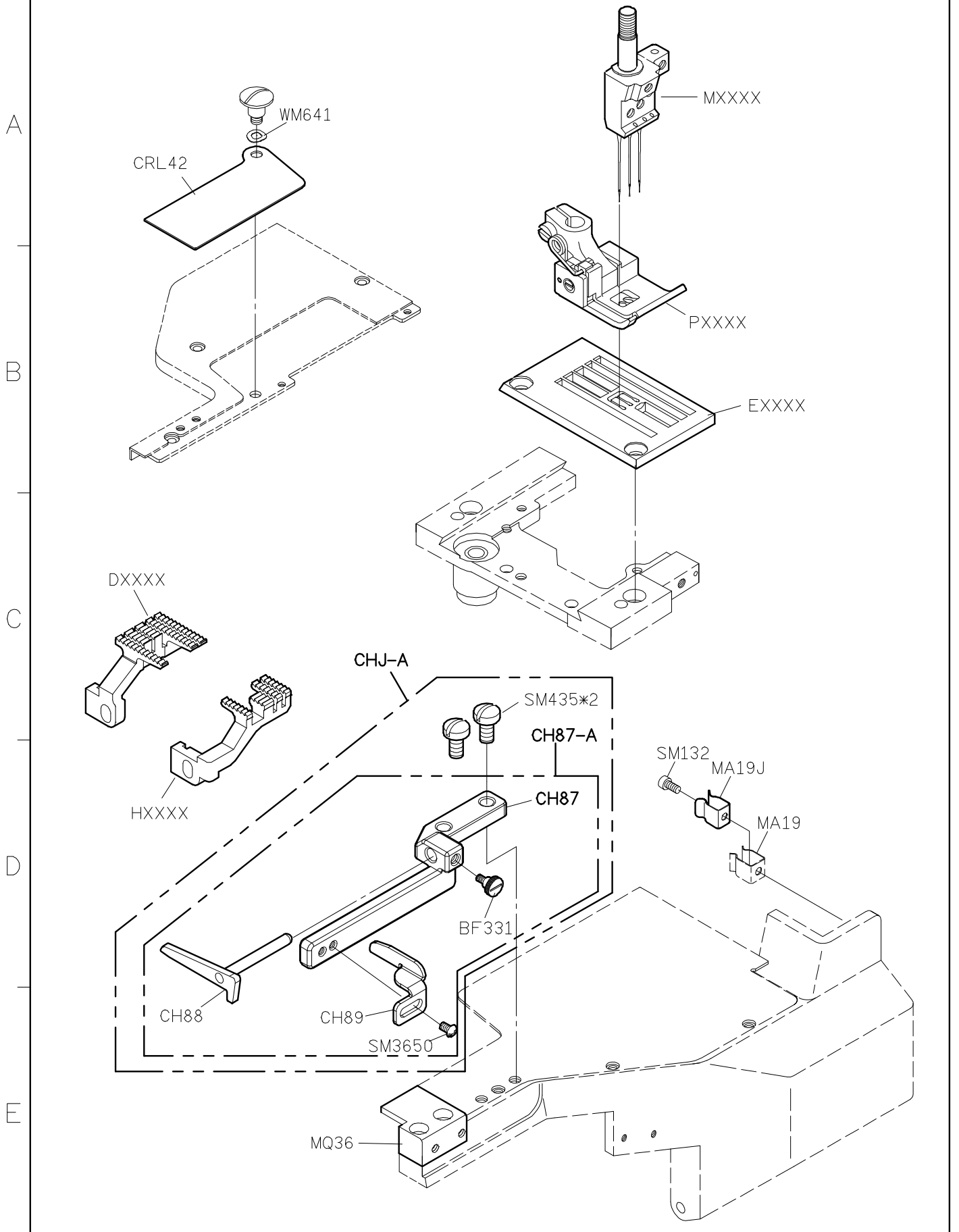


DXXXX



HXXXX

C007J PARTS LIST FOR CHE-J GROUP P.1/1



C007J PARTS LIST FOR CH-J GROUP P.1/1

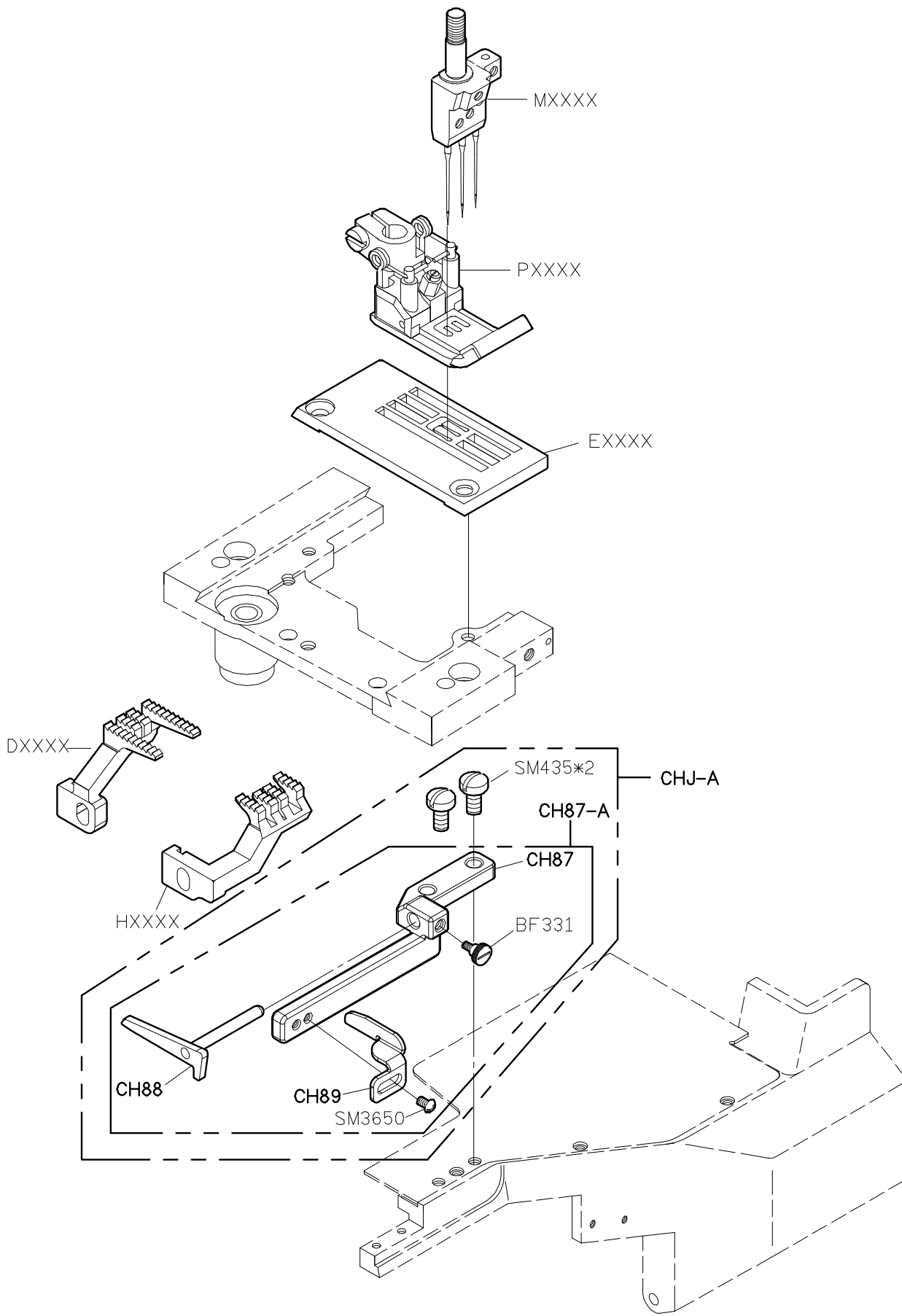
A

B

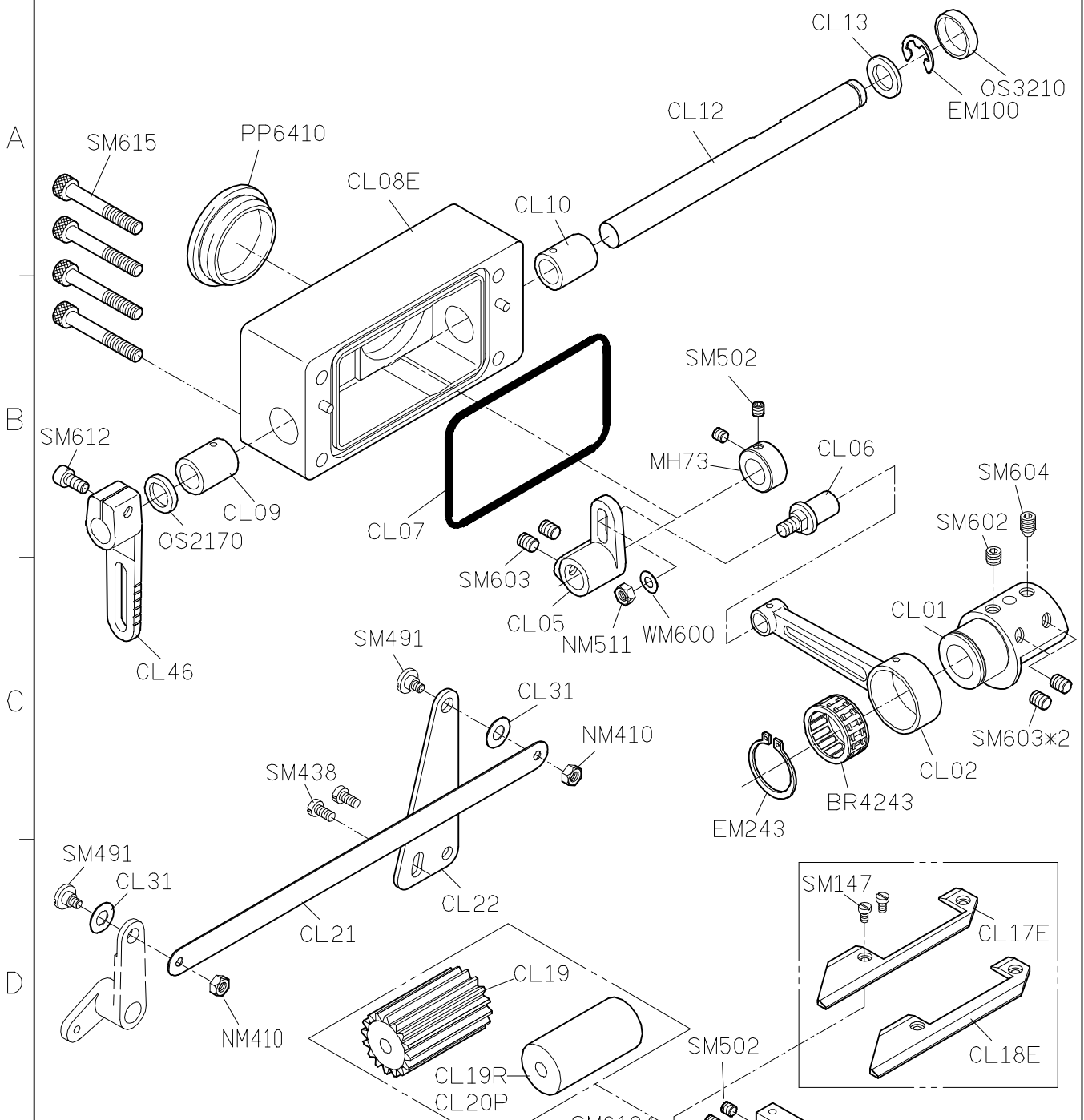
C

D

E



C007J PARTS LIST FOR CL-H GROUP P.1/2



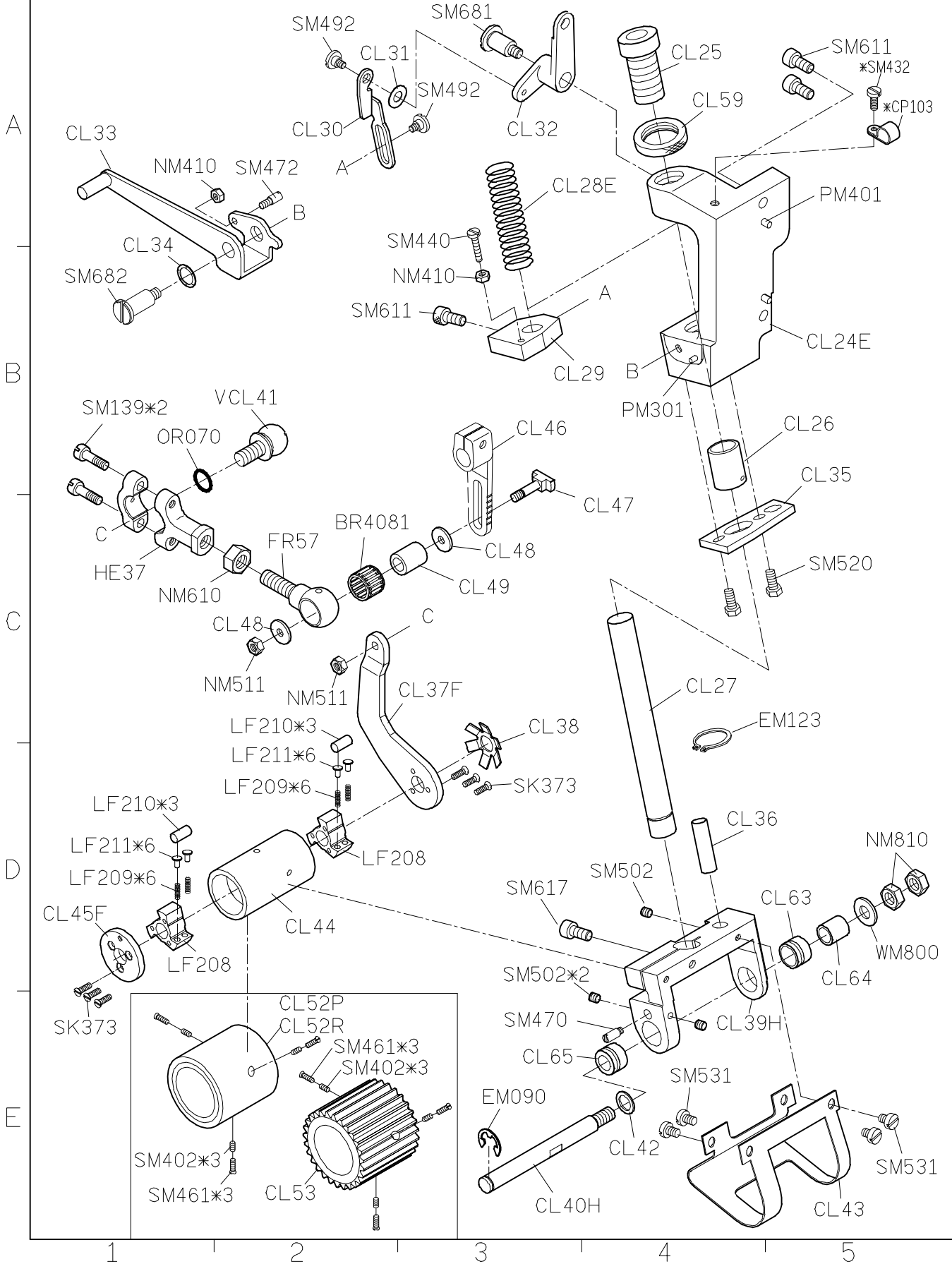
A
B
C
D
E

★ 轆輪使用方式

齒形	平輪		齒輪
材質	鋼製壓花	黑色橡膠	鐵弗龍
上滾輪代號	CL52P	CL52R	CL53
下滾輪代號	CL20P	CL19R	CL19
備註欄	-	CZ/CZP	-

FOR C007J/C007JD/C858J/C858JD

C007J PARTS LIST FOR CL-H GROUP P.2/2



FOR C007J/C007JD/C858J/C858JD
 * USE FOR UTP, UTR, UTS

11/11/14

C007J PARTS LIST FOR CQA-J GROUP P.1/2

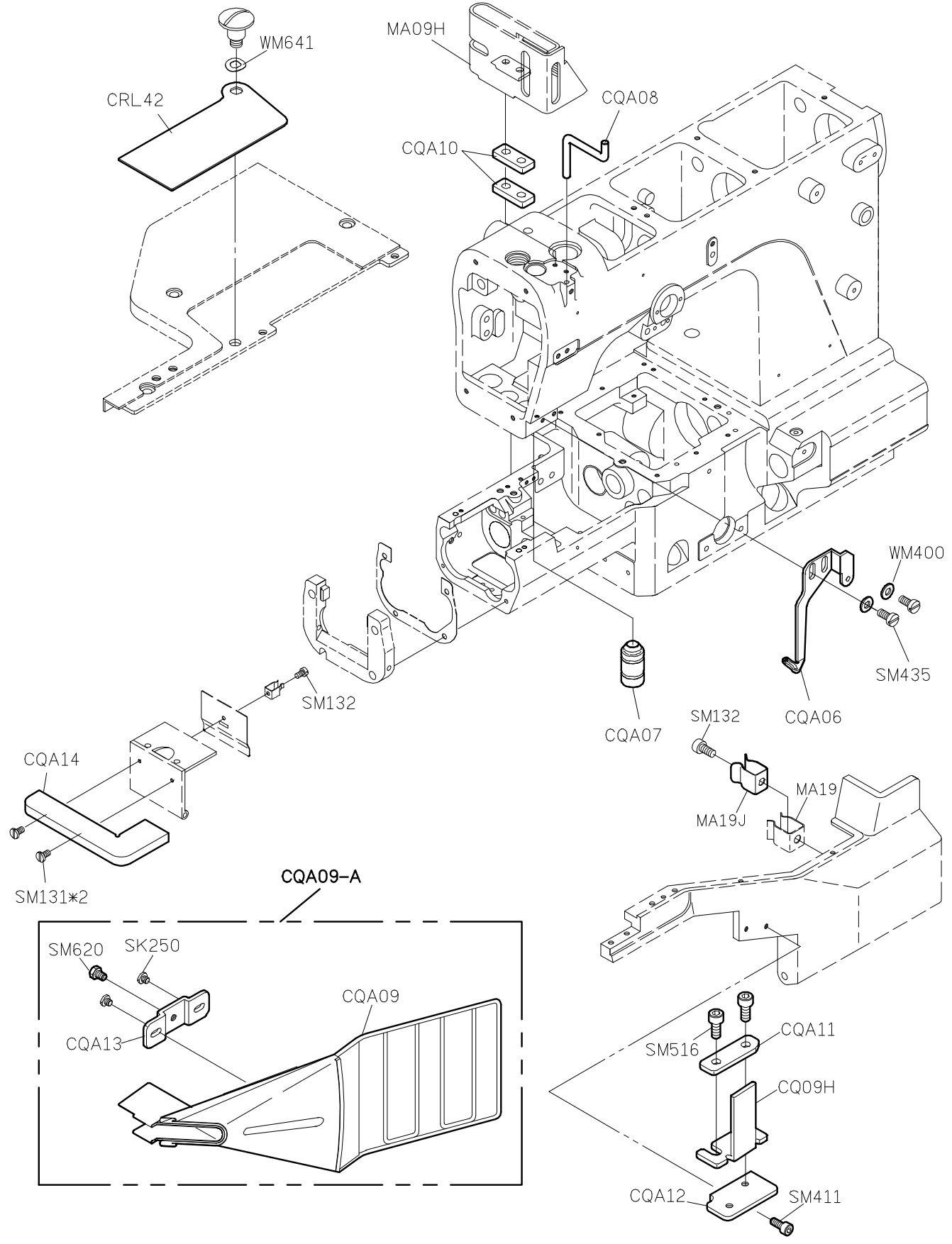
A

B

C

D

E



FOR C007J/C007JD/C858J/C858JD

10/07/01

C007J PARTS LIST FOR CQA-J GROUP P.2/2

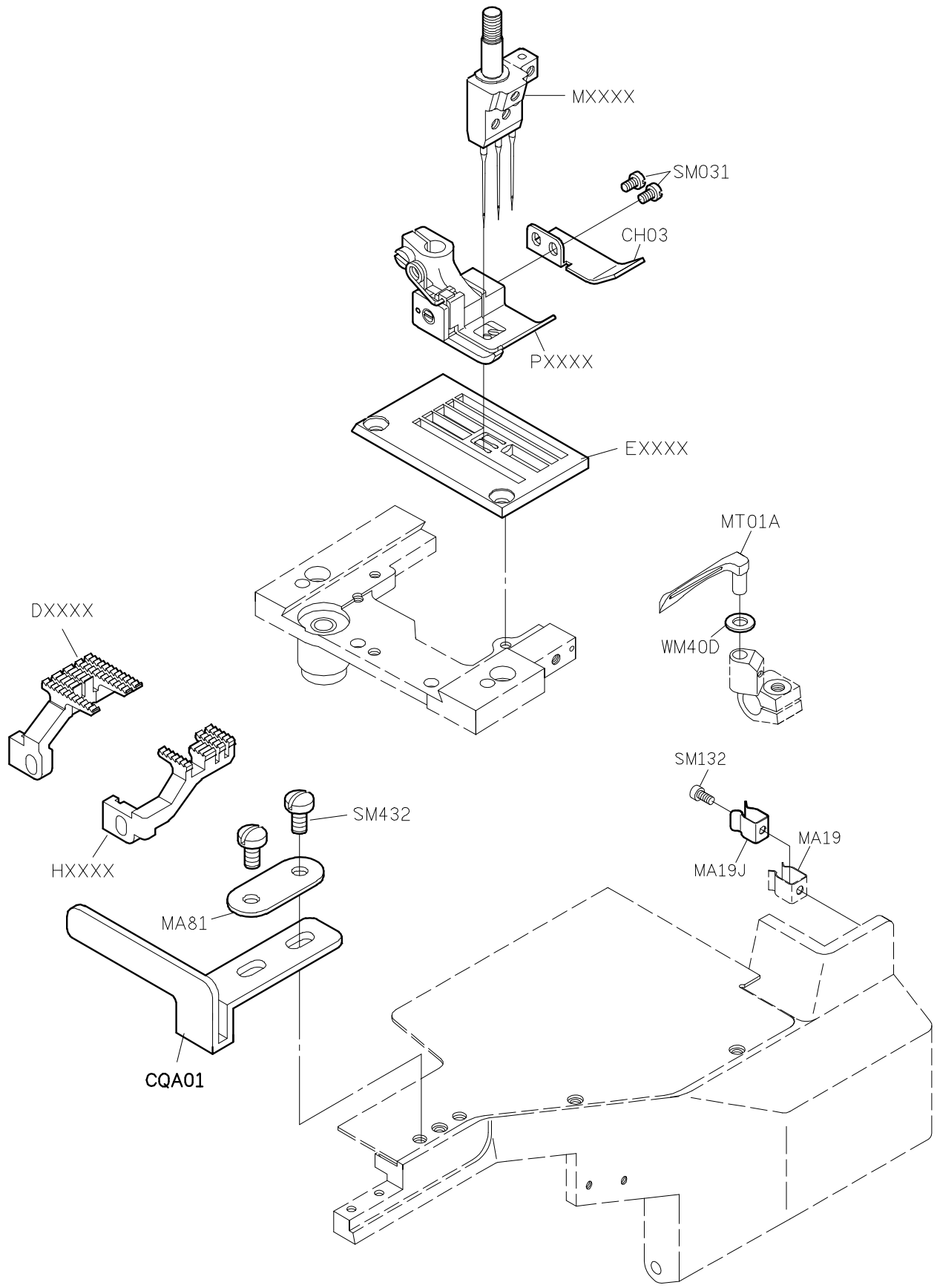
A

B

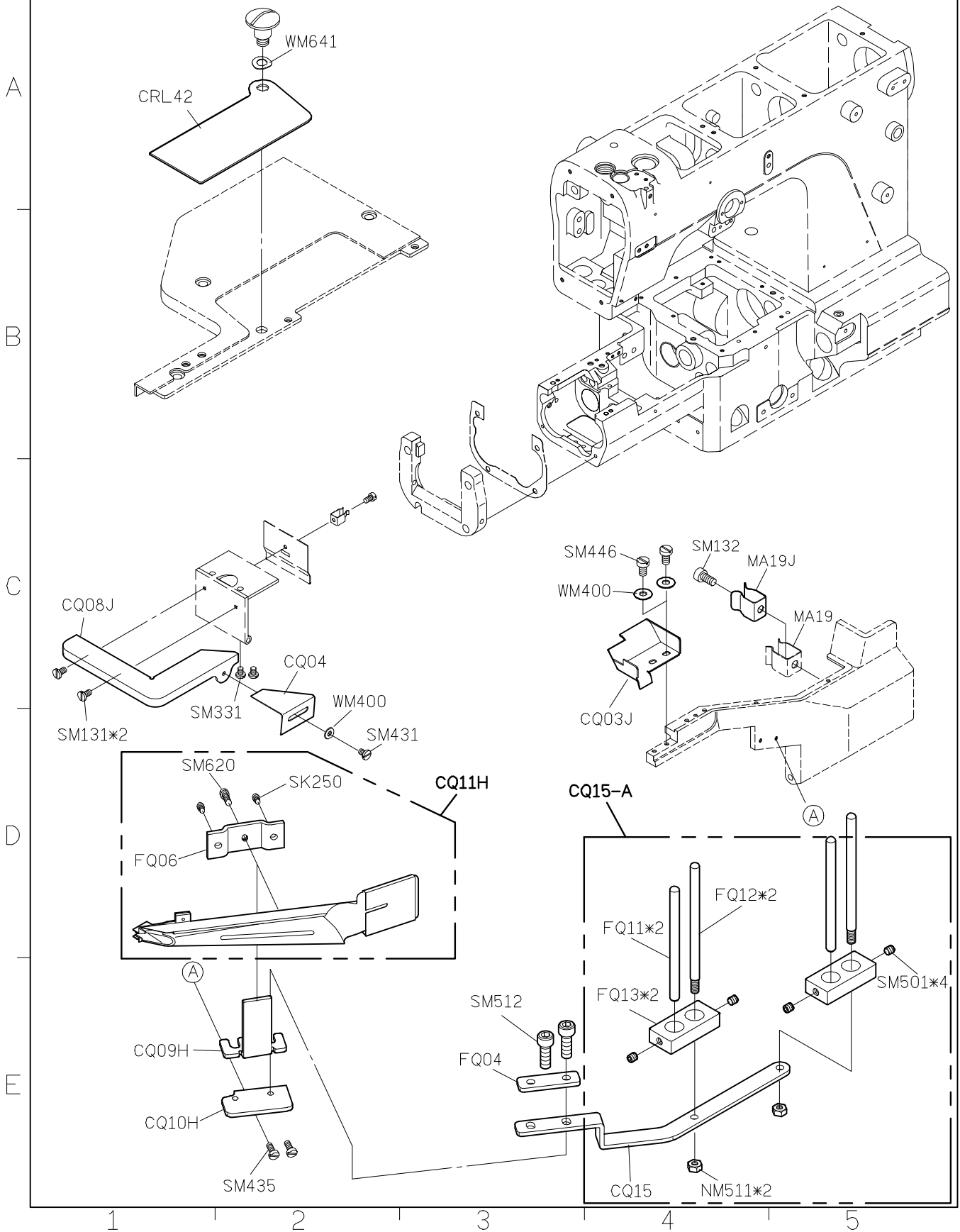
C

D

E



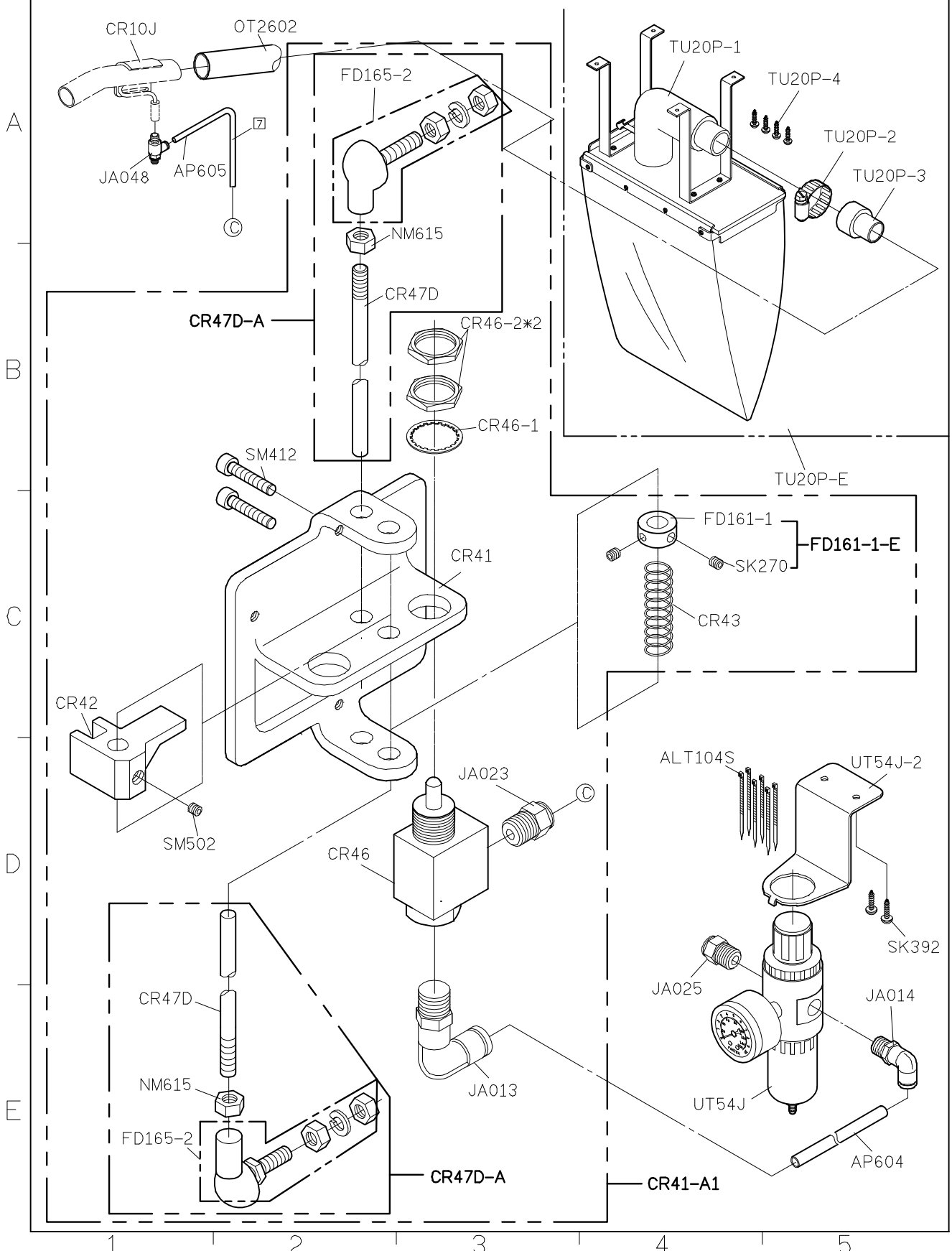
C007J PARTS LIST FOR CQ-J GROUP P.1/1



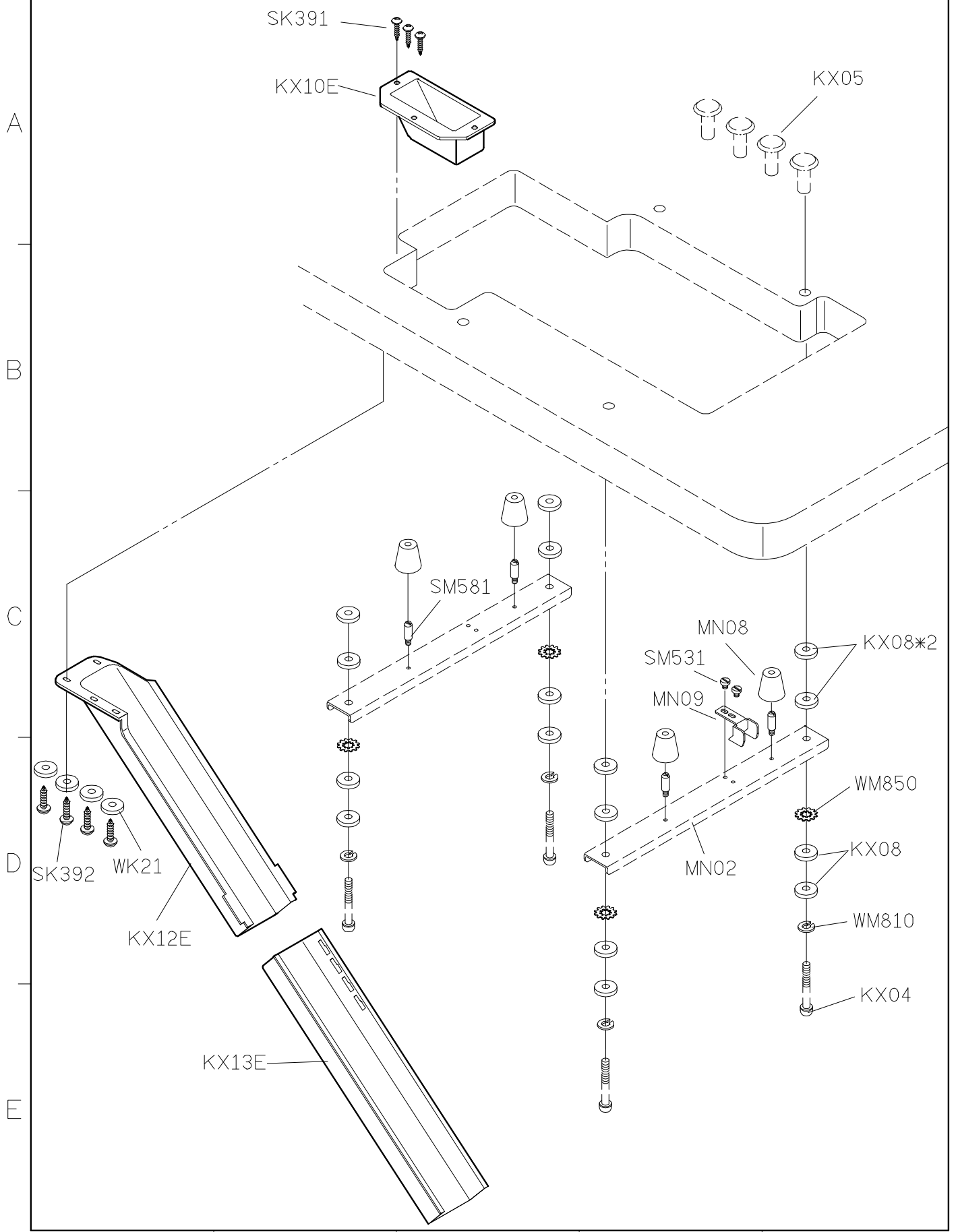
FOR C007J/C007JD/C858J/C858JD

10/11/08

C007J PARTS LIST FOR CRA-H GROUP P. 2/2



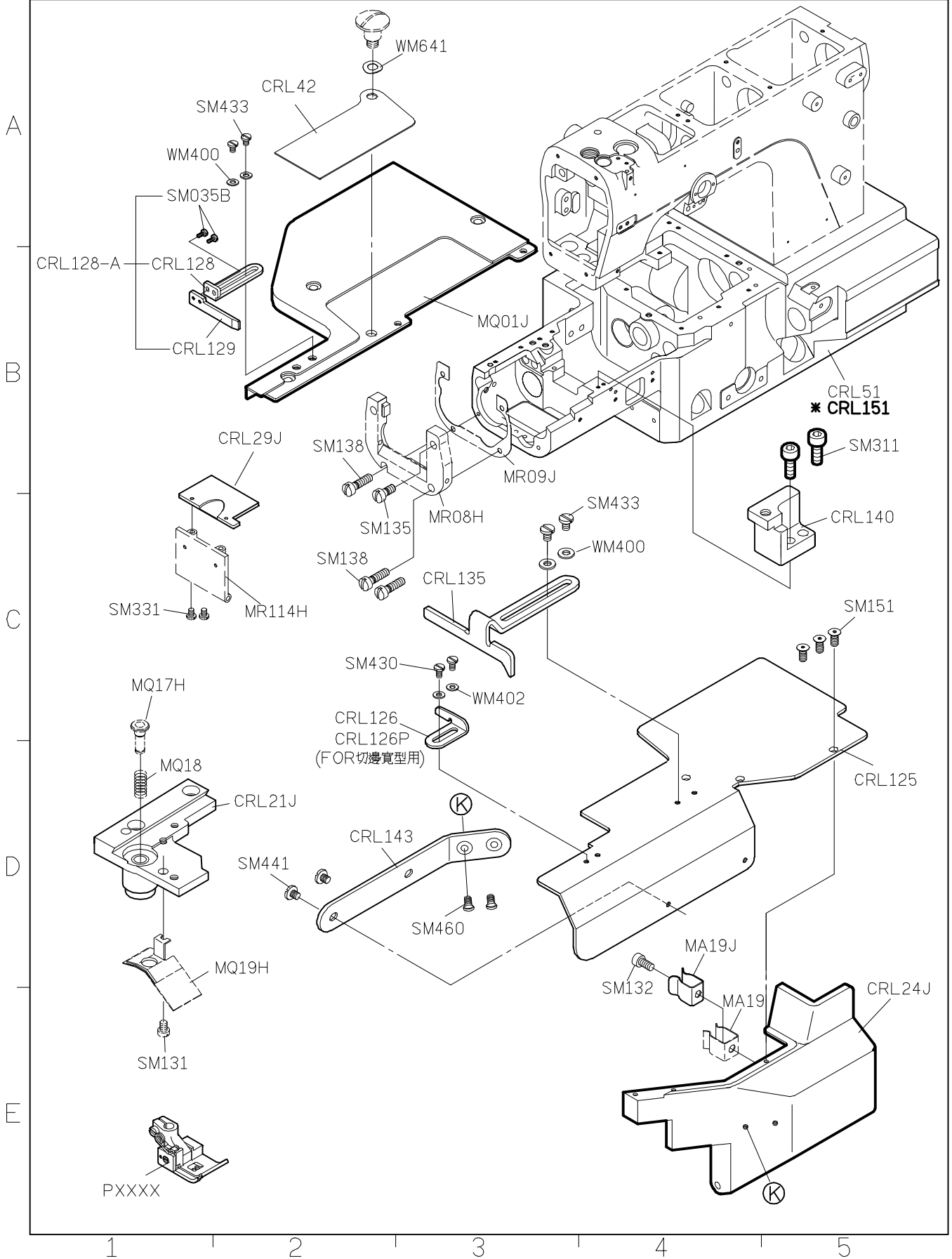
C007J PARTS LIST FOR CRB-J GROUP P.2/2



1 2 3 4 5
 FOR C007J/C007JD/C858J/C858JD
 * USE FOR C007JD/C858JD

10/07/01

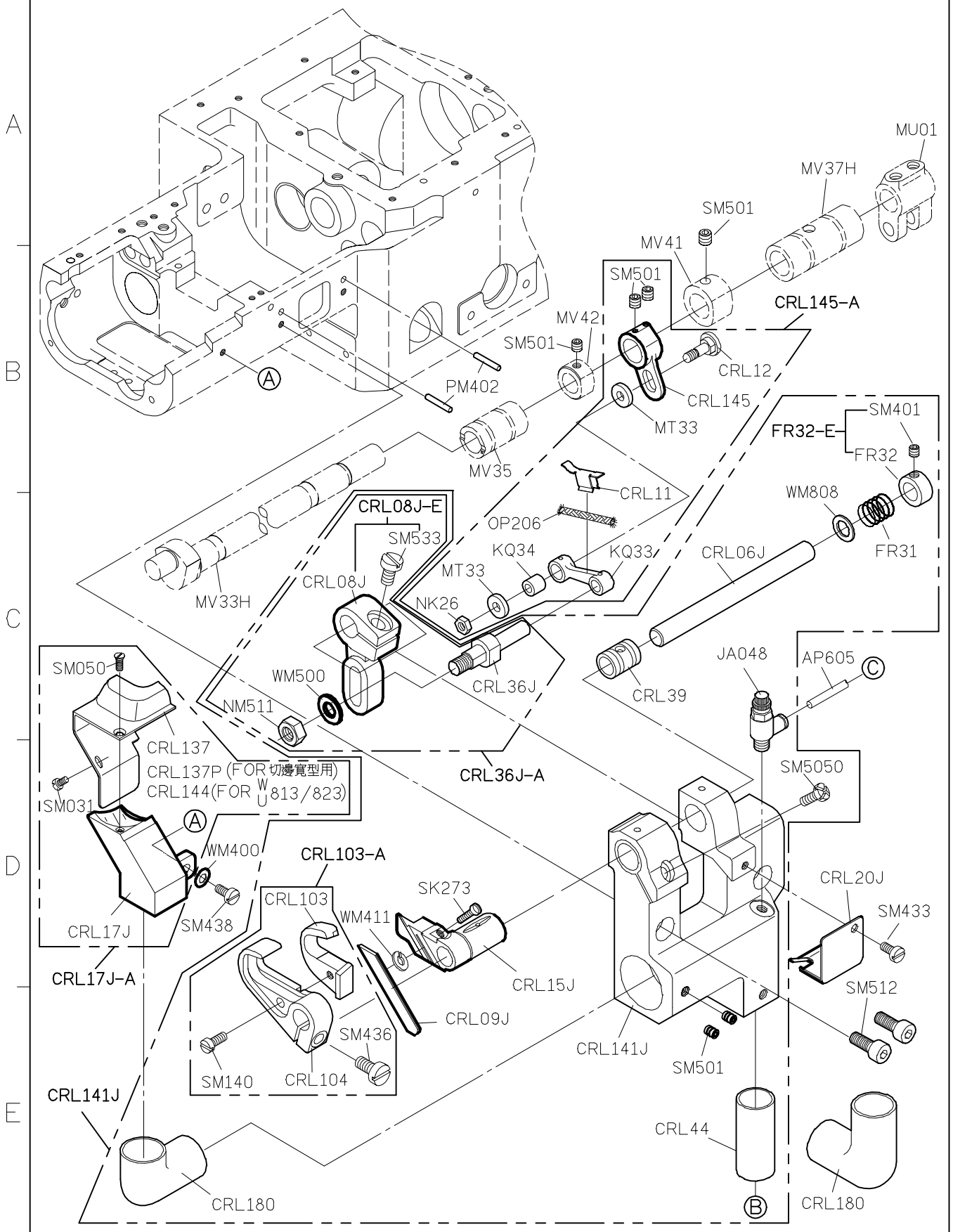
C007J PARTS LIST FOR CRL-J GROUP P.1/3



※USE FOR C007JD/C858JD

12/01/04

C007J PARTS LIST FOR CRL-J GROUP P.2/3

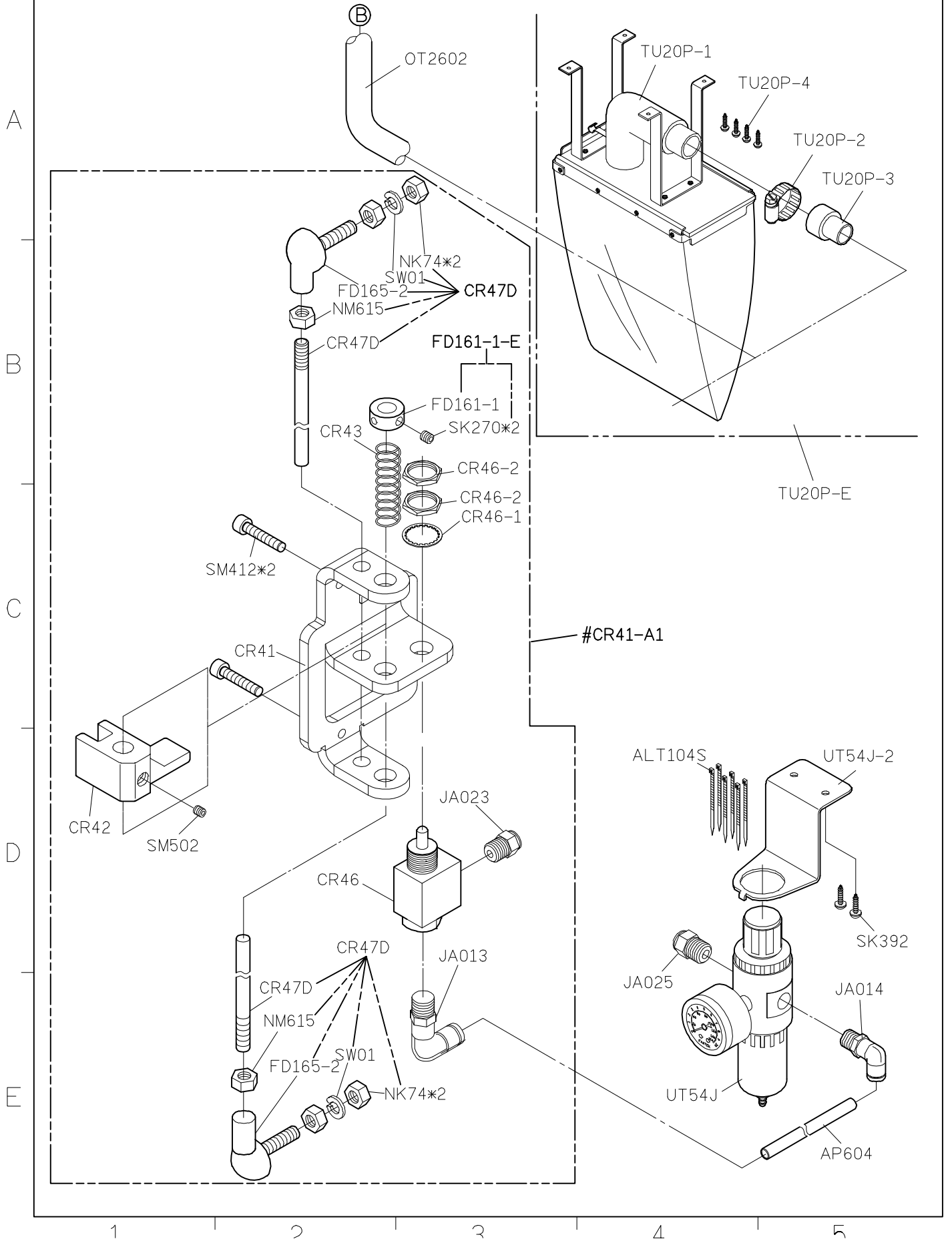


FOR C007J/C007JD/C858J/C858JD

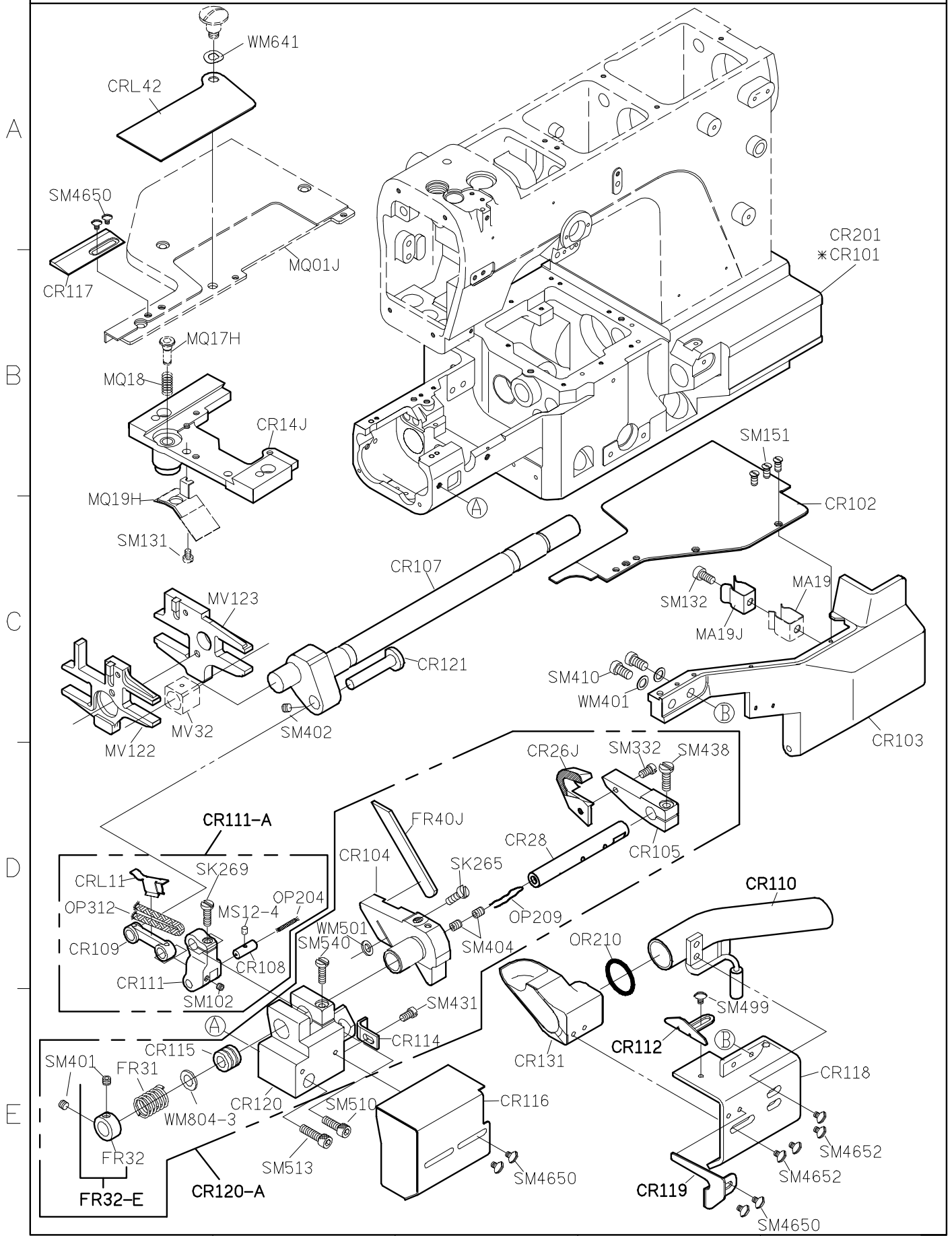
註:(1)CRL 針棒行程為 34mm , CRL103 切布刀最高點時,刀尖離針板面為 7mm .

(2)訂購 CRL137P 時,附贈 CRL137/CRL126

11/07/11



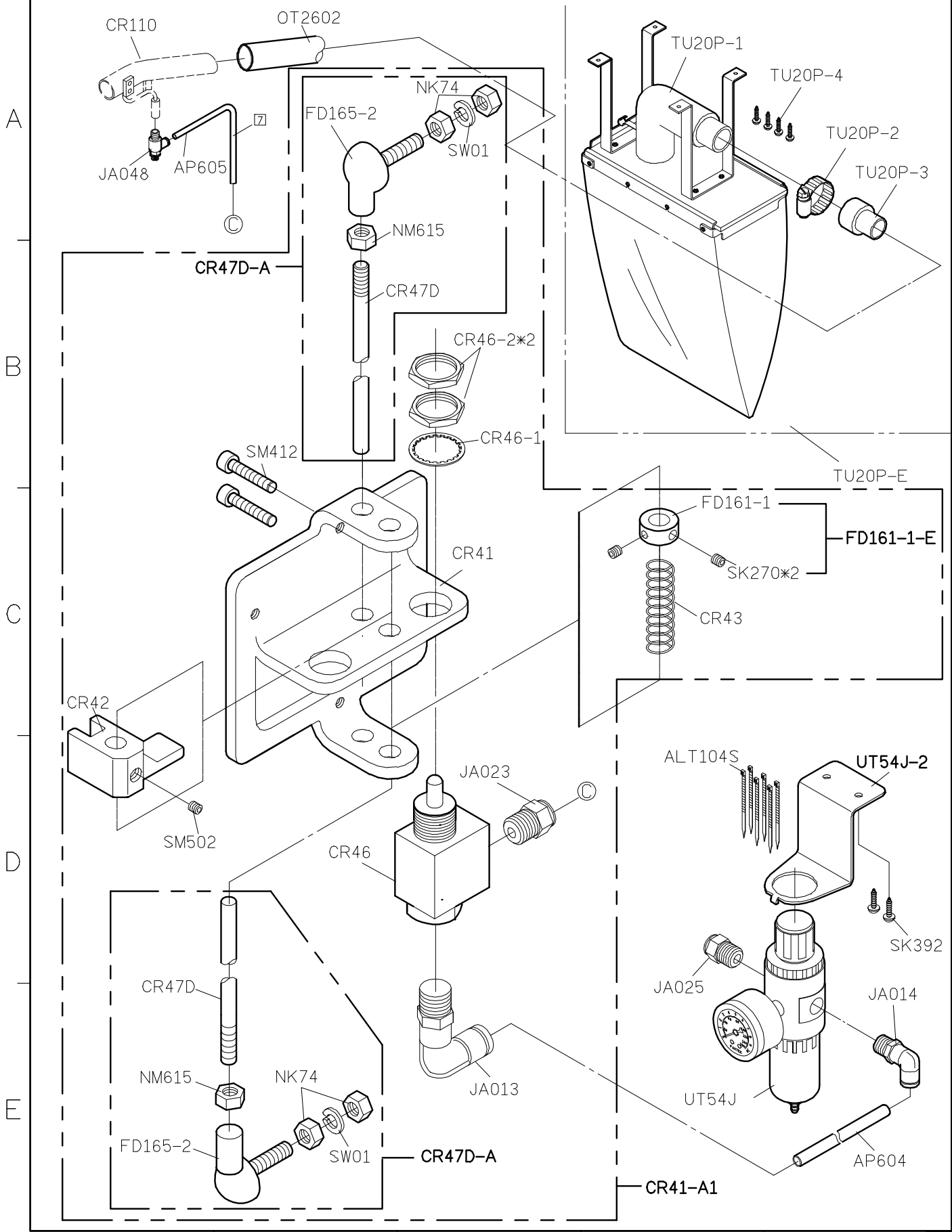
C007J PARTS LIST FOR CR-J GROUP P.1/2



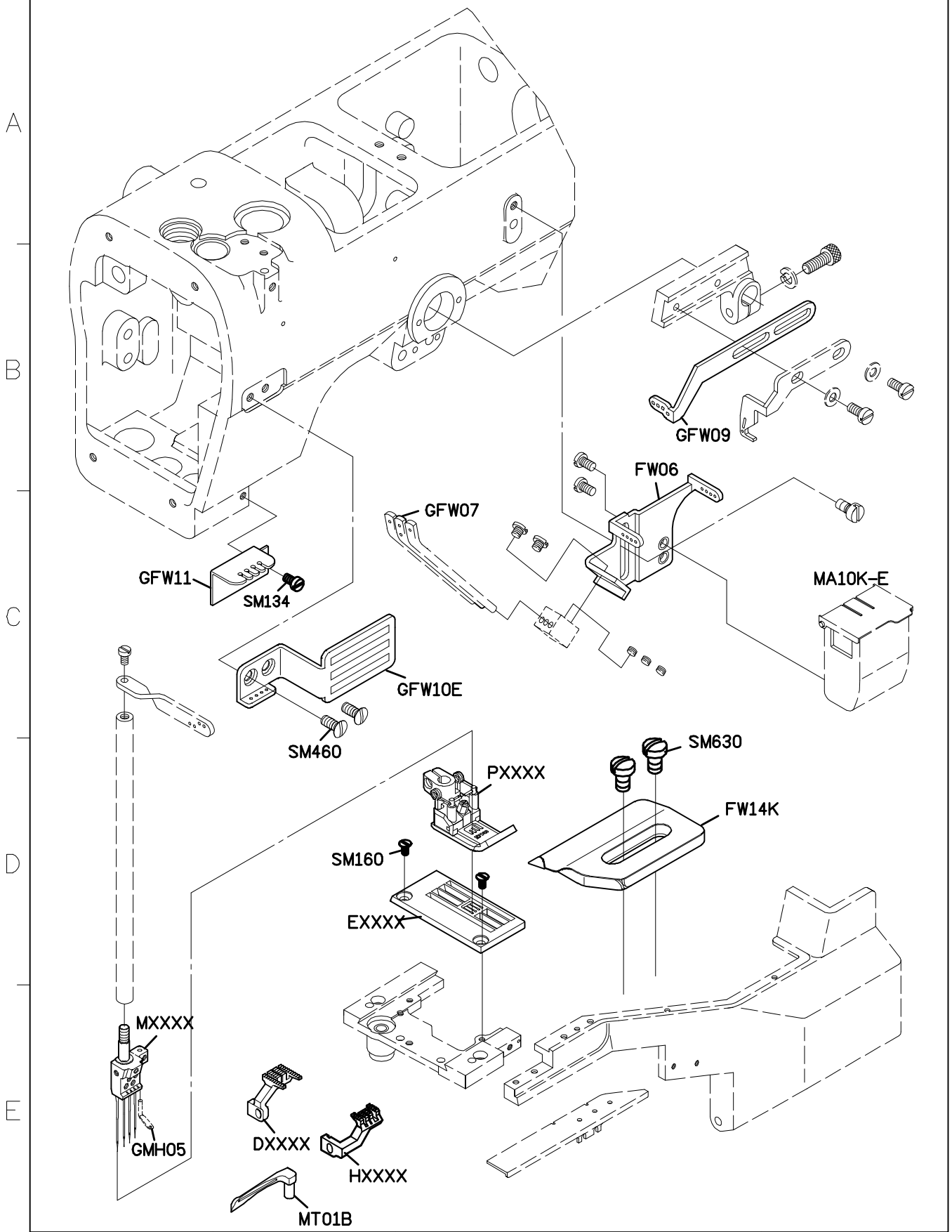
FOR C007J/C007JD/C858J/C858JD
 "*" FOR C007JD/C858JD

10/06/21

C007J PARTS LIST FOR CR-J GROUP P.2/2



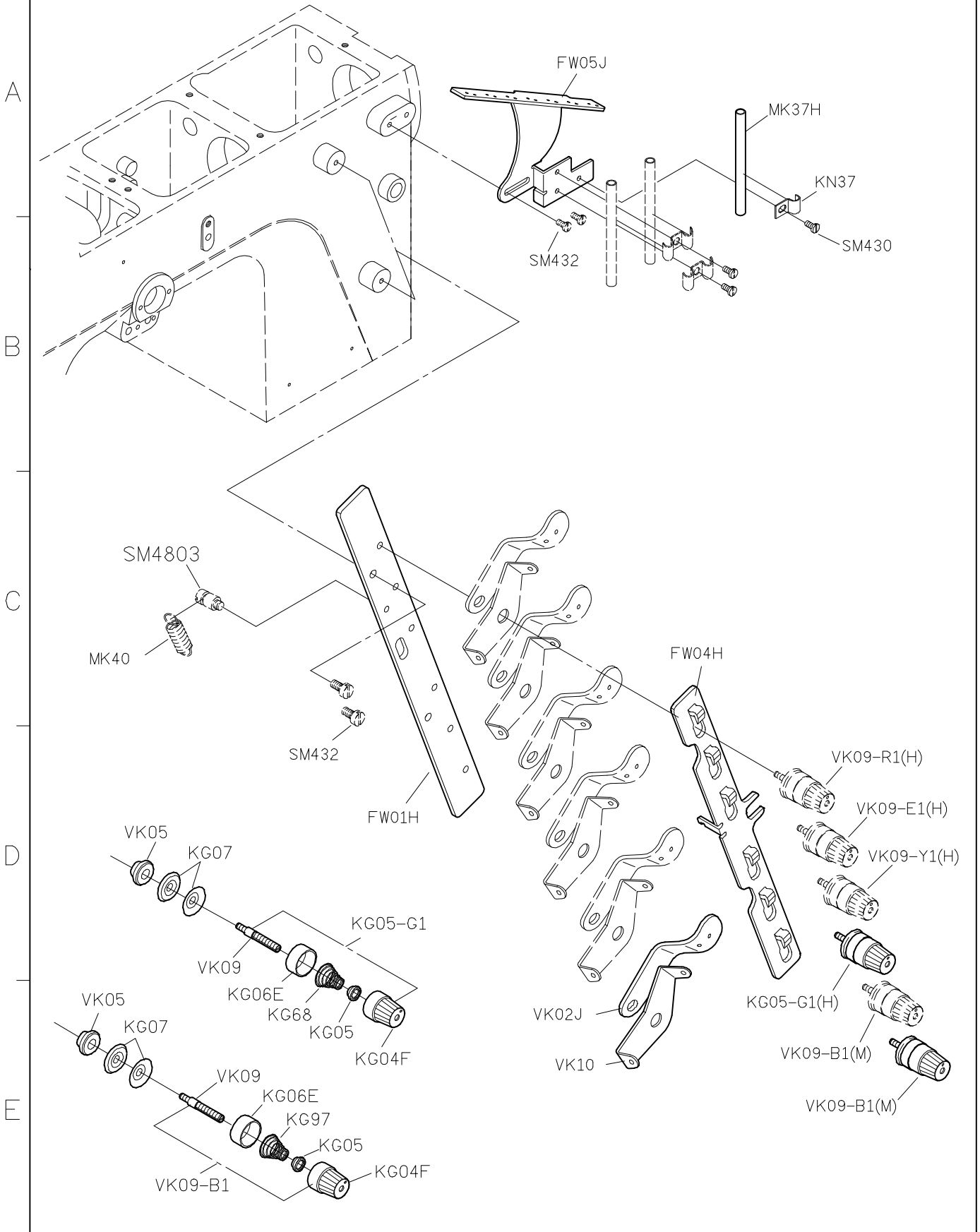
C007J PARTS LIST FOR CW GROUP P.1/3



A
B
C
D
E

1 2 3 4 5

C007J PARTS LIST FOR CW GROUP P.2/3

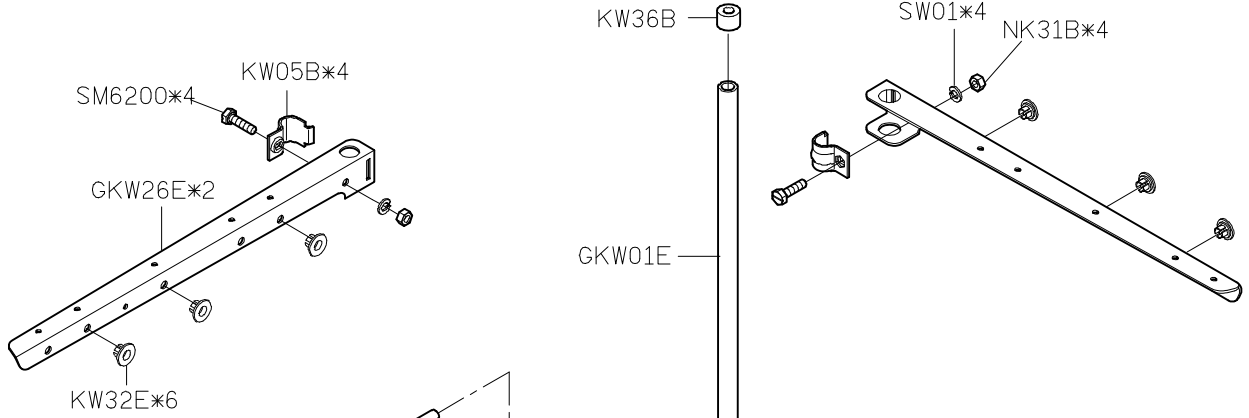


1 2 3 4 5
 FOR F007J/F007JD/C007J/C007JD/F858J/F858JD/C858J/C858JD

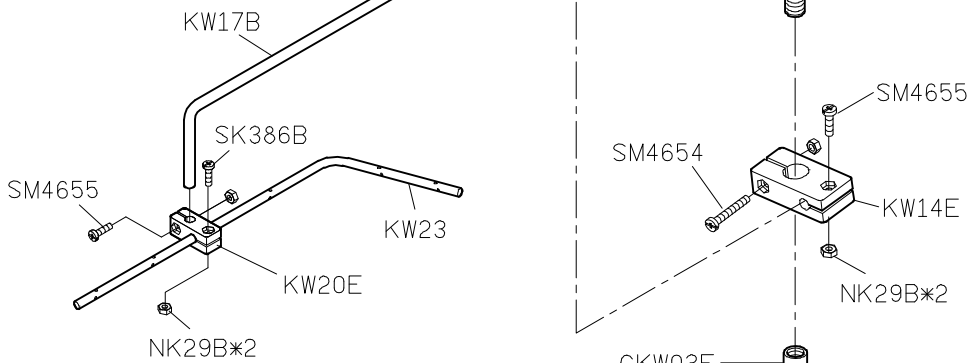
C007J PARTS LIST FOR CW GROUP P.3/3

GKW40E-A3

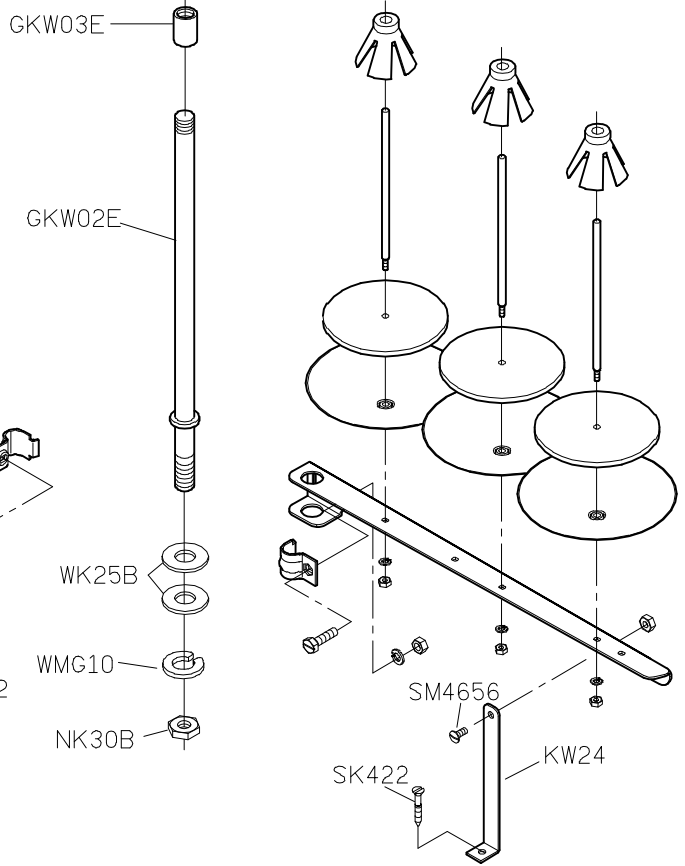
A



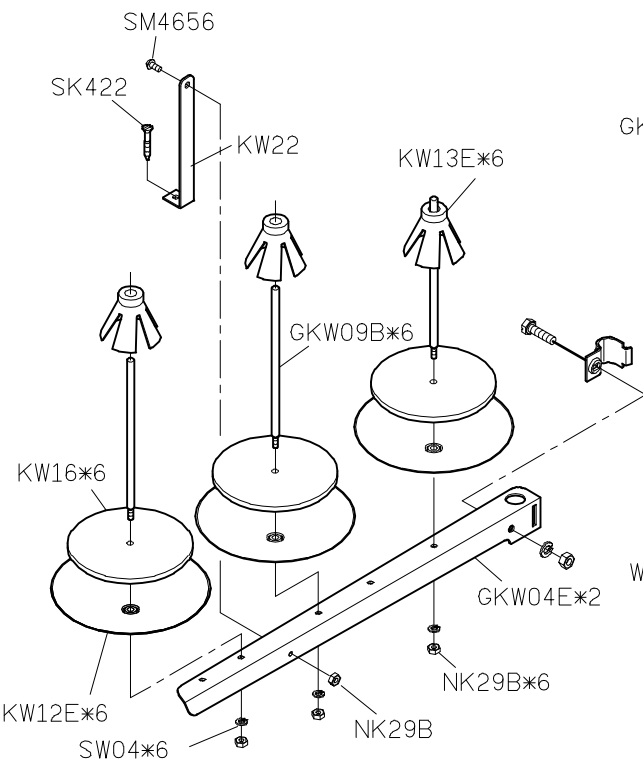
B



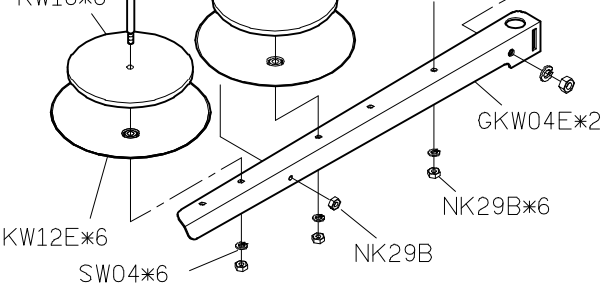
C



D



E



1

2

3

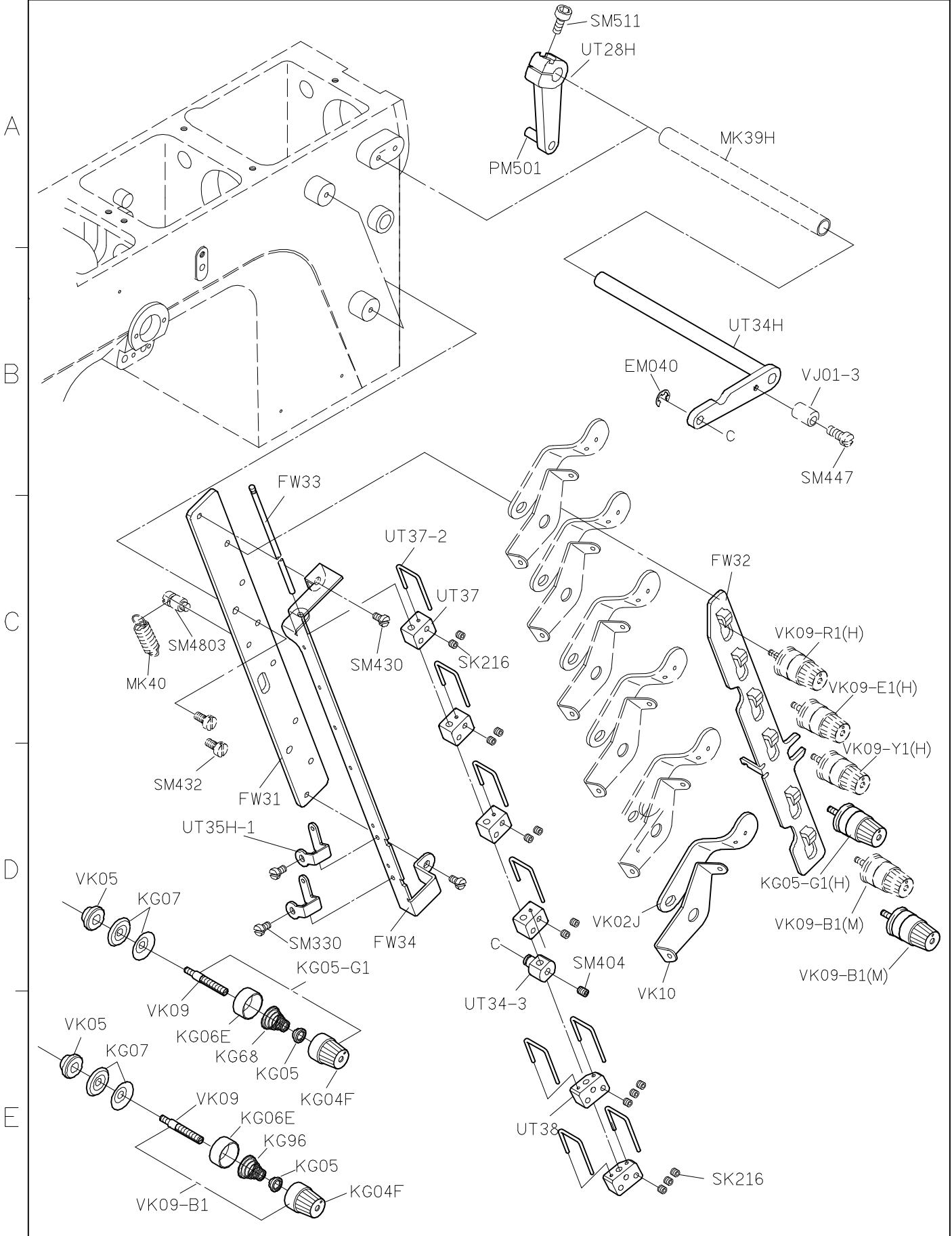
4

5

FOR F007J/F007JD/C007J/C007JD/F858J/F858JD/C858J/C858JD

09/11/19

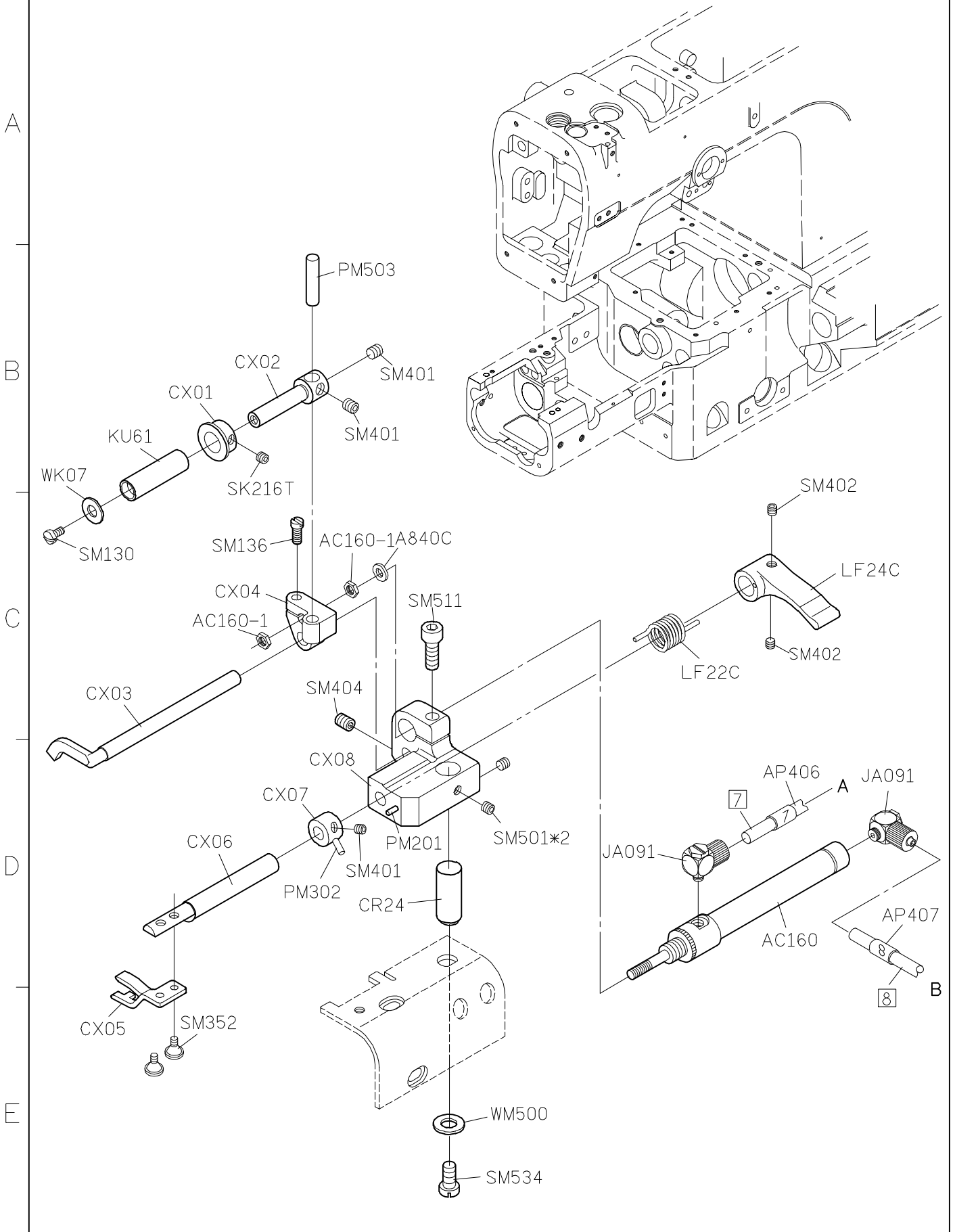
PARTS LIST FOR CW GROUP 系列圖 4



1 2 3 4 5

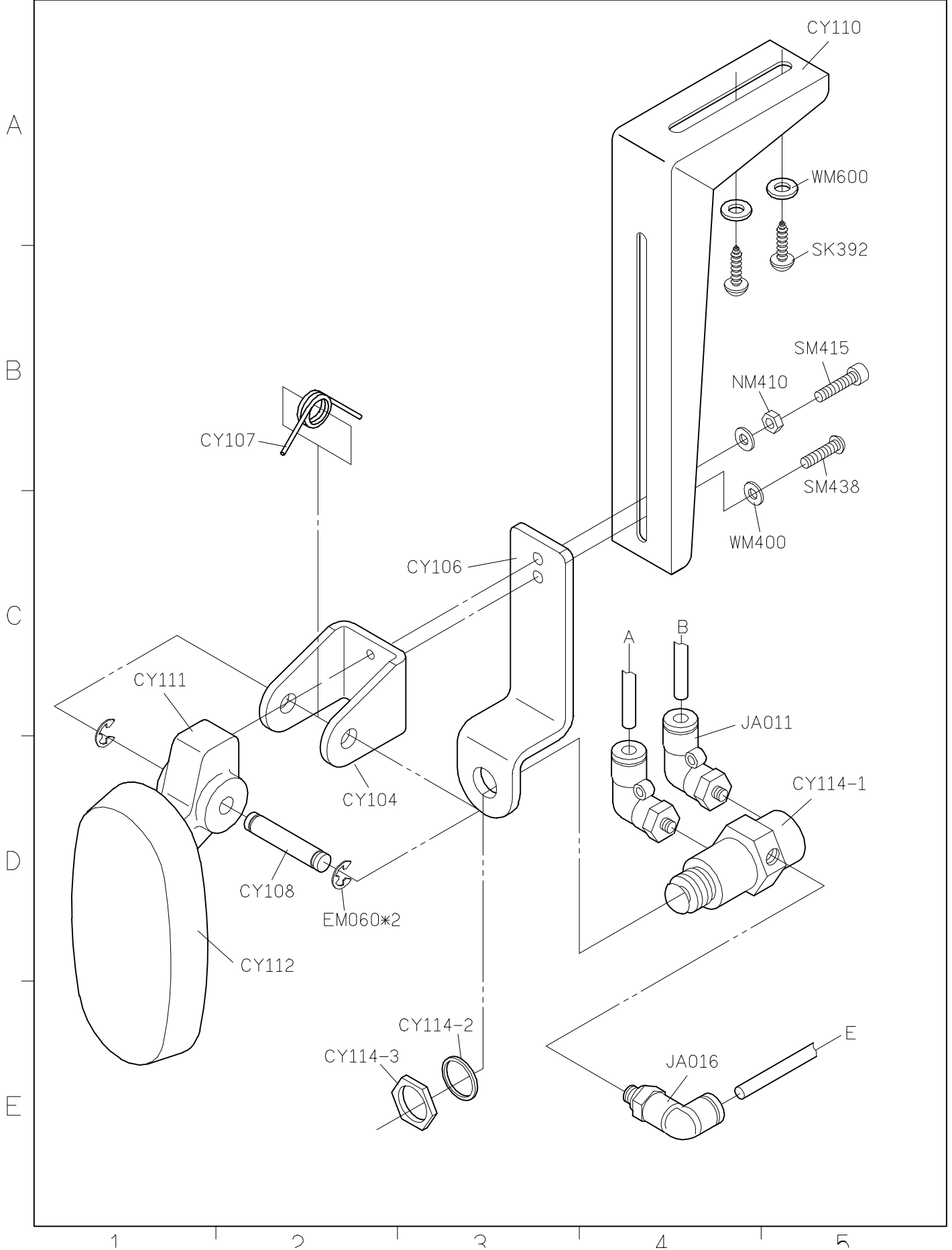
FOR CW-UT/FW-UT

PARTS LIST FOR CX-A GROUP 系列圖



1 2 3 4 5
 FOR C007J/C007JD/C858J/C858JD
 * USE FOR C007JD/C858JD

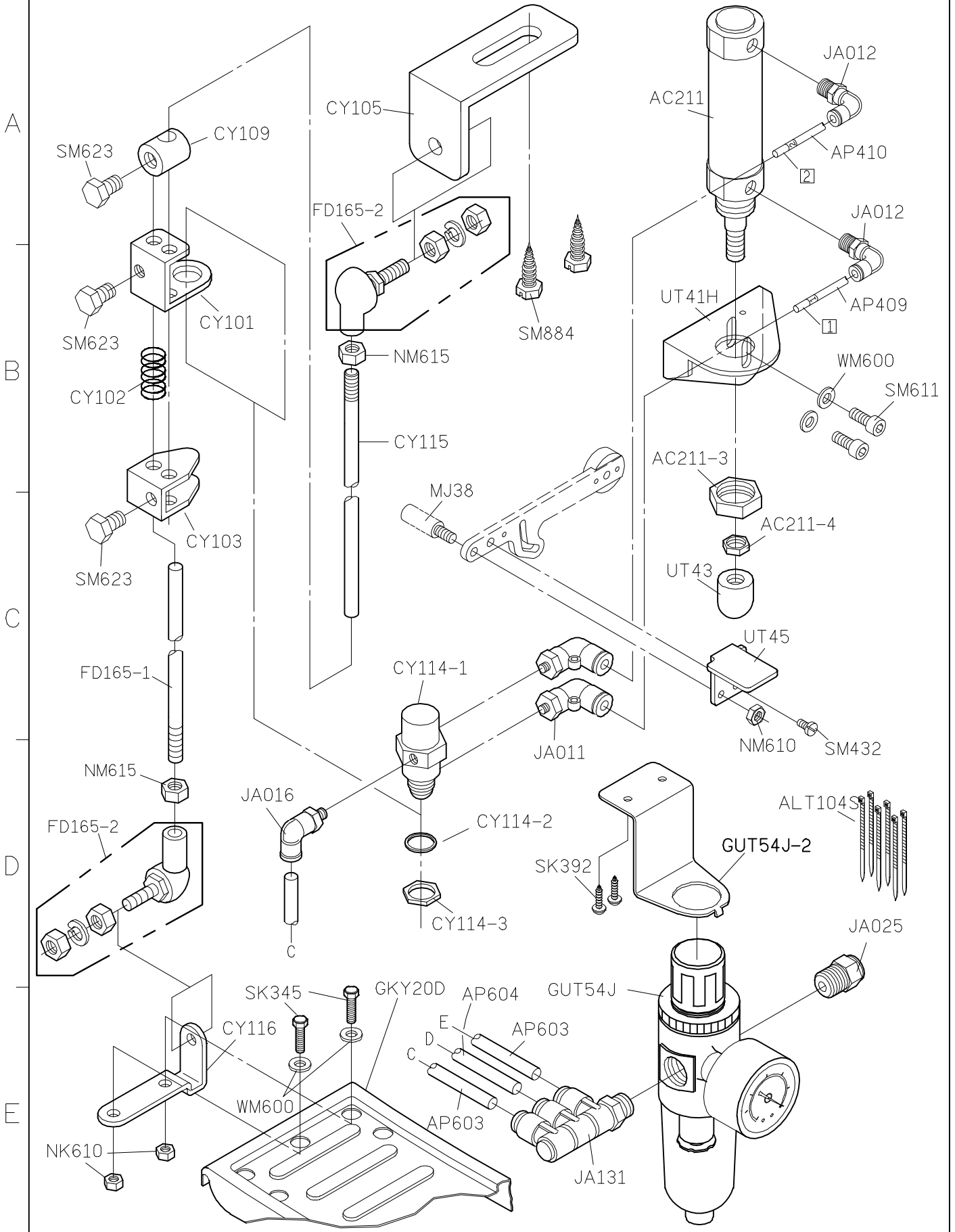
SIRUBA PARTS LIST	Series	Parts Group	Subclass / Remark	Page
	C007J/C007JD	CX-A		2/3
	C858J/C858JD			Date
	C007H			2012/12/27



PARTS LIST

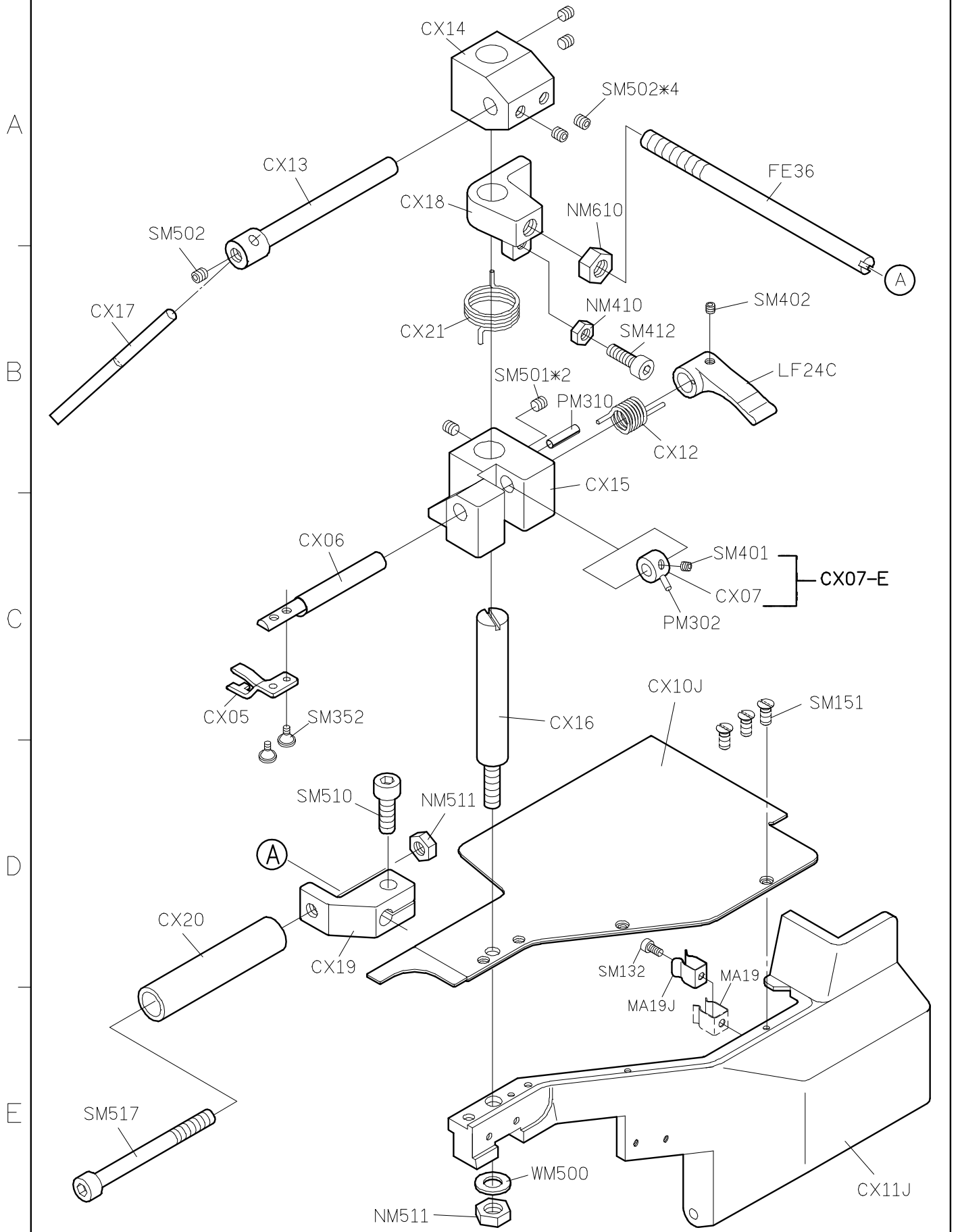
FOR CX-A GROUP

系列圖



FOR C007H/C007J/C007JD/C858J/C858JD

C007J PARTS LIST FOR CX-B GROUP P.1/1

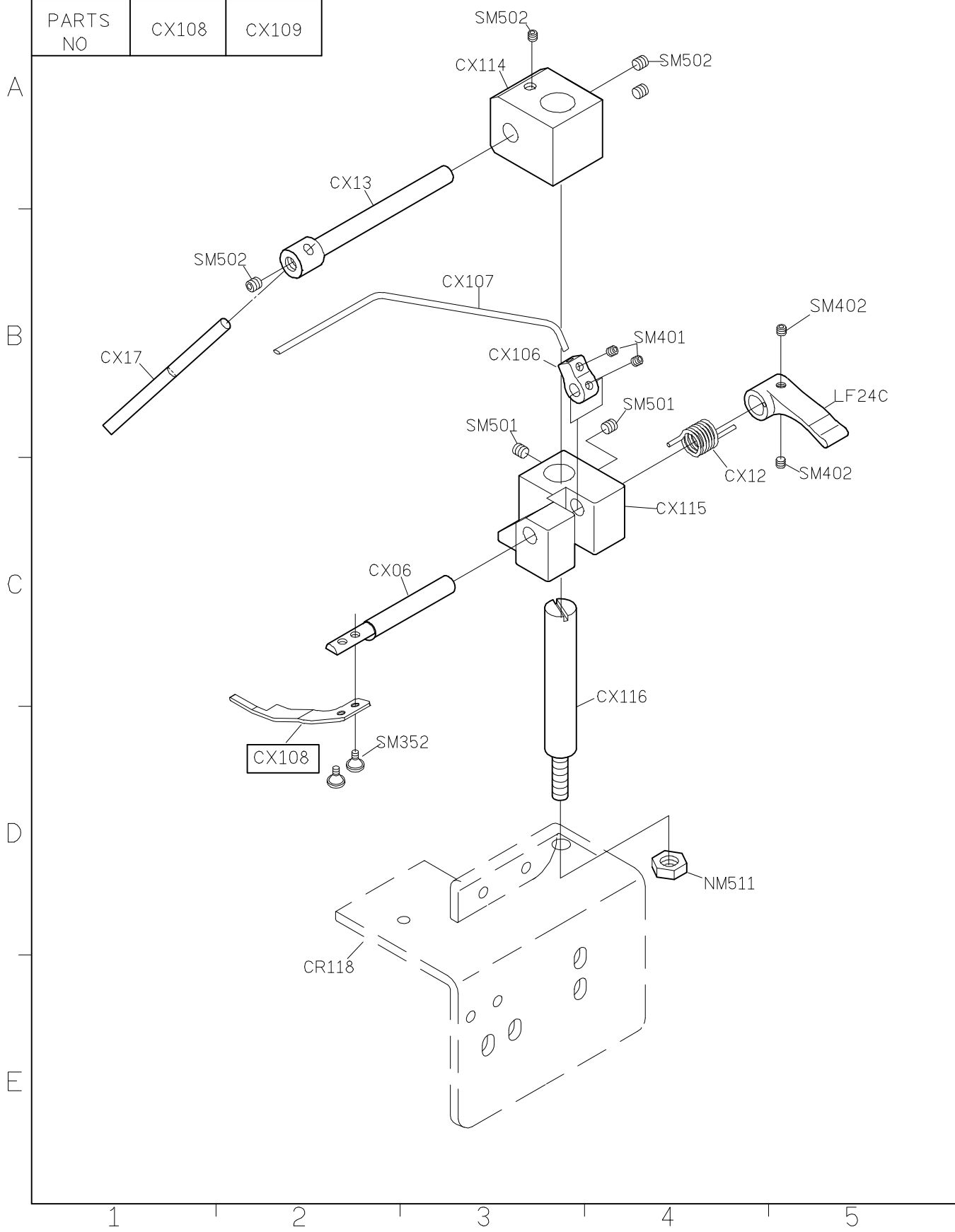


1 2 3 4 5
FOR C007J/C007JD/C858J/C858JD

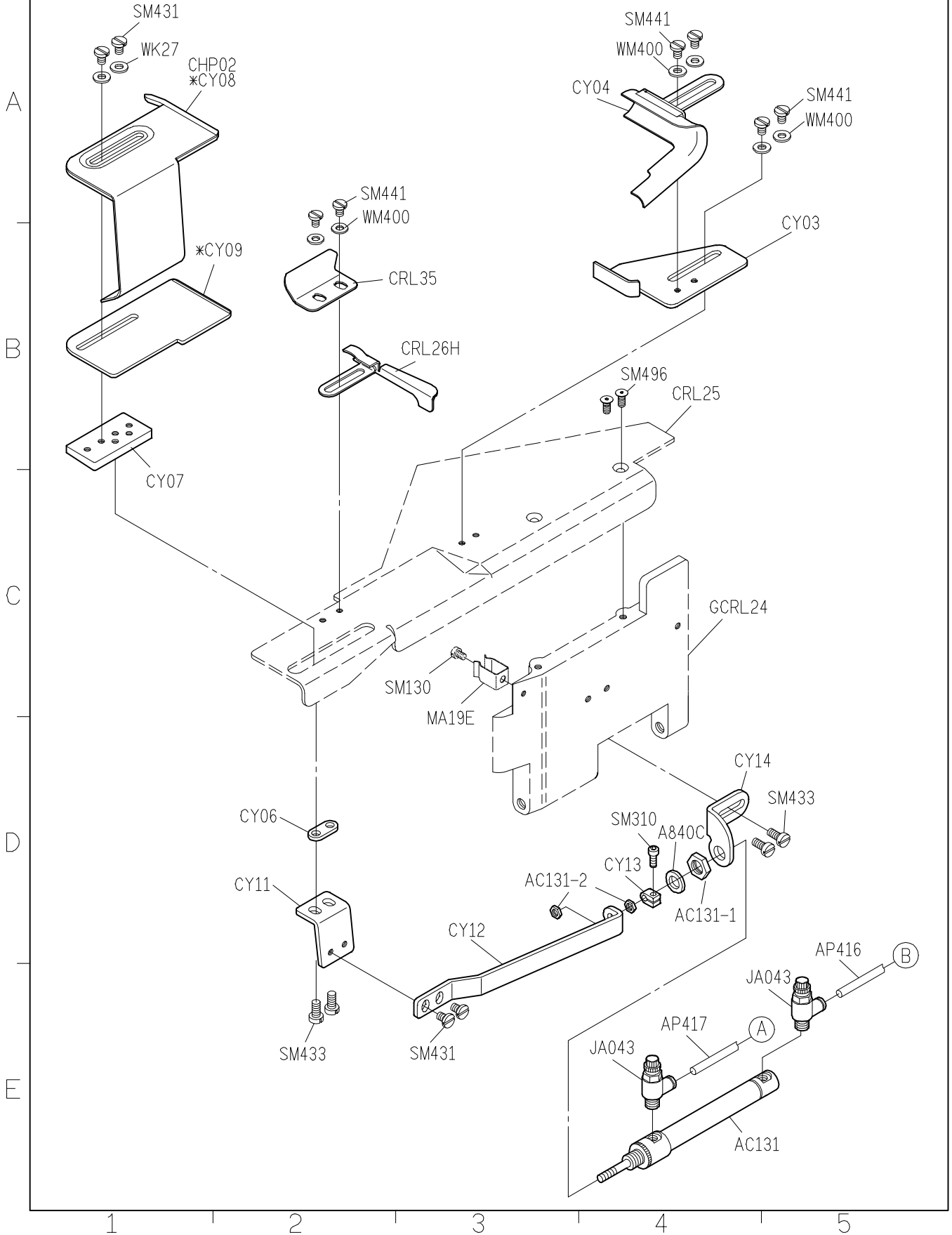
10/07/01

PARTS LIST FOR CX-J GROUP 系列圖 1

MODEL	薄布	超薄布
PARTS NO	CX108	CX109



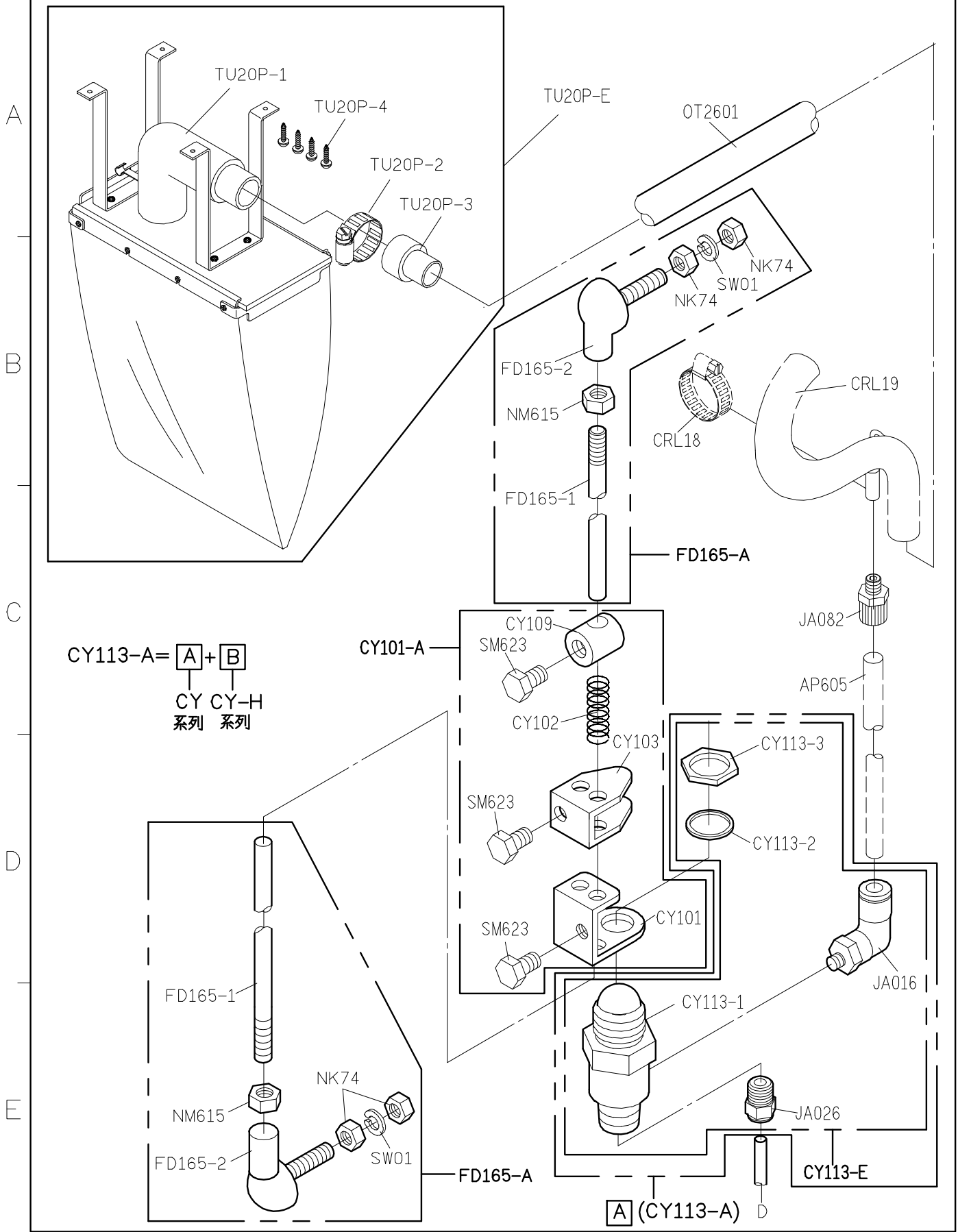
PARTS LIST FOR CY-H(CHP-H) GROUP 系列圖 1



FOR C007J/C858J
 *USR FOR CY-H

11/08/13

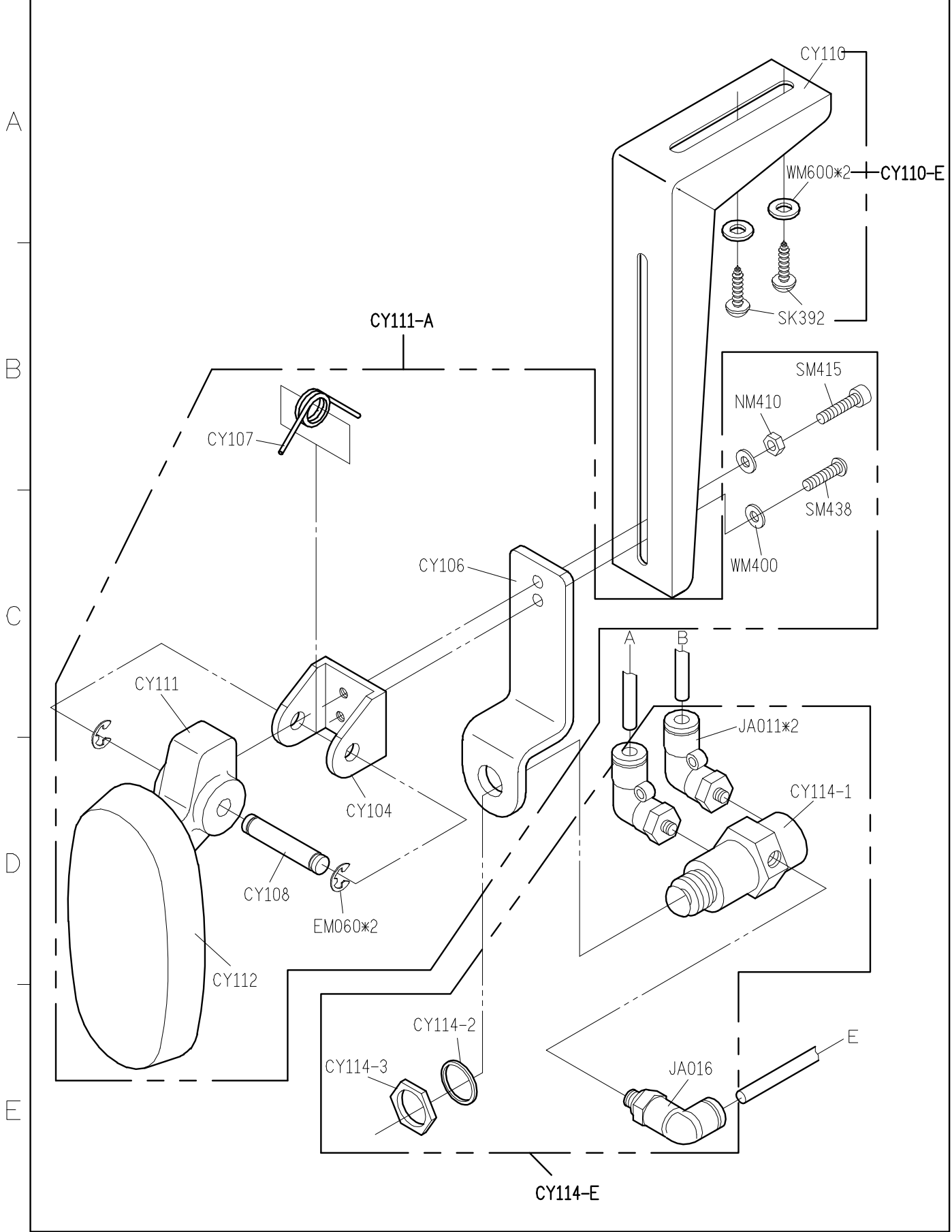
C007J PARTS LIST FOR CY (CHP) GROUP P.2/4



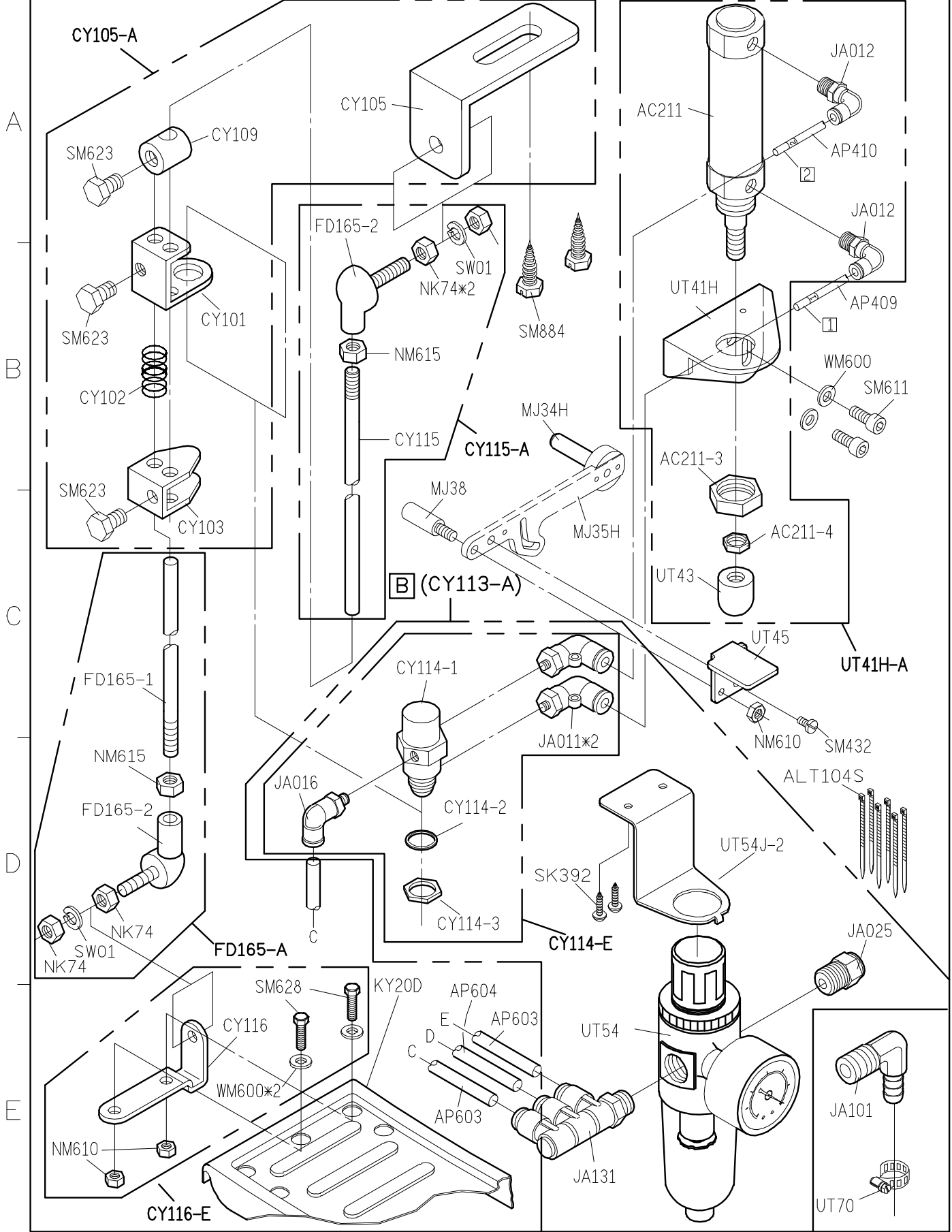
$CY113-A = A + B$
 CY CY-H
 系列 系列

A (CY113-A) D

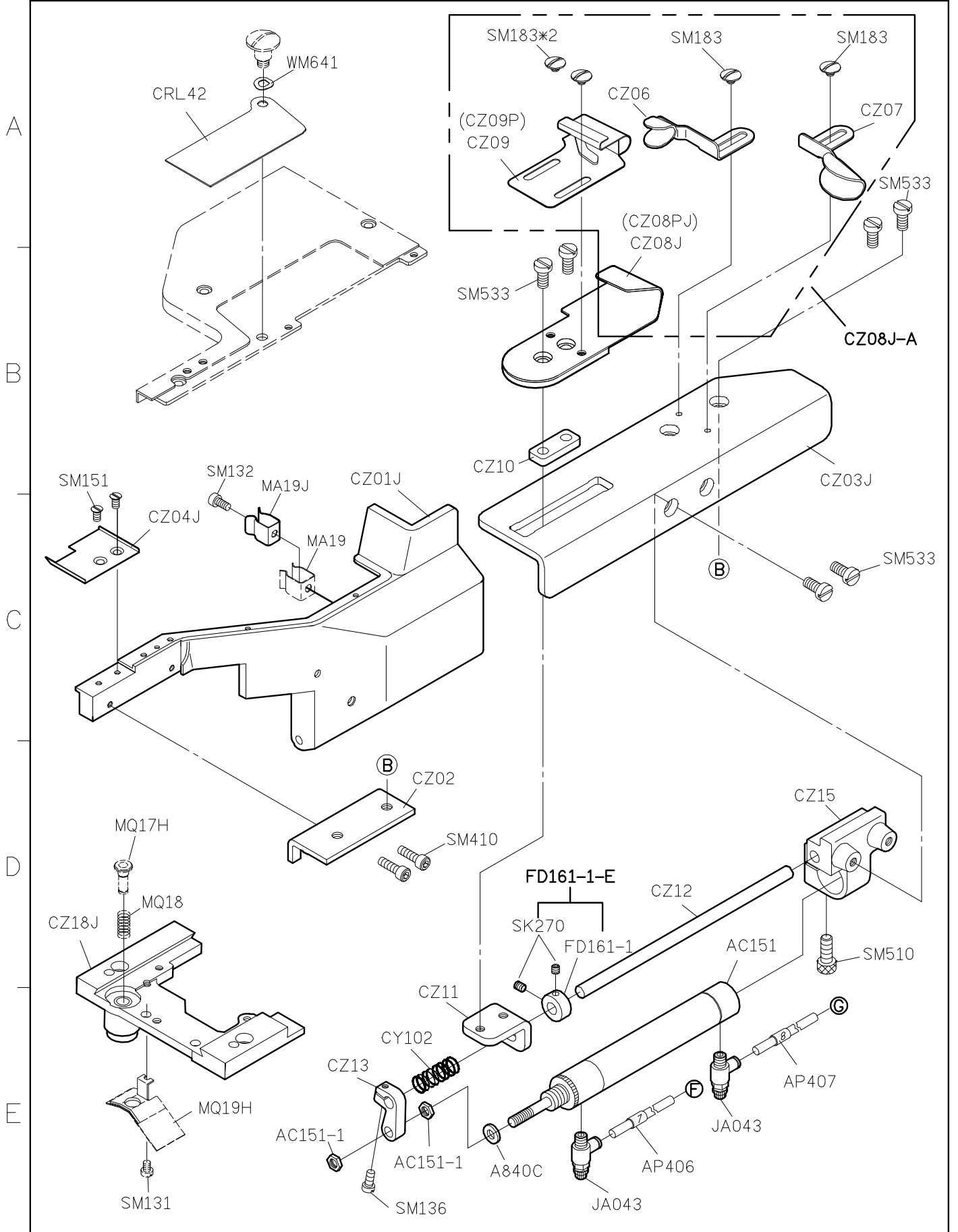
C007J PARTS LIST FOR CY (CHP) GROUP P.3/4



C007J PARTS LIST FOR CY-H(CHP-H) GROUP P.4/4



C007J PARTS LIST FOR CZ-J GROUP P.1/3



FOR C007J/C007JD/C858J/C858JD

10/07/01

C007J PARTS LIST FOR CZ-J GROUP P.2/3

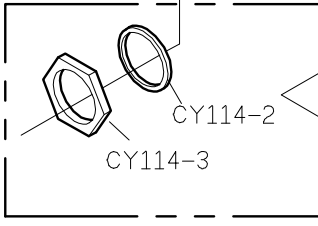
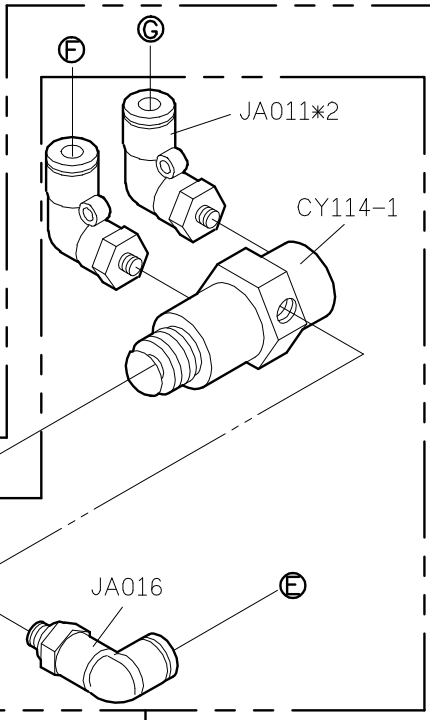
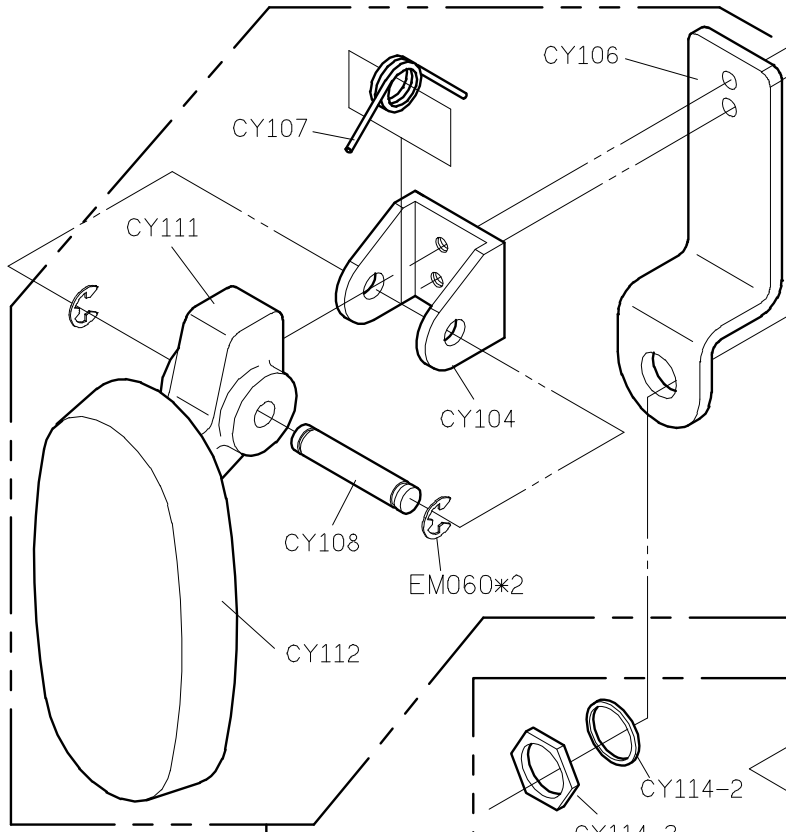
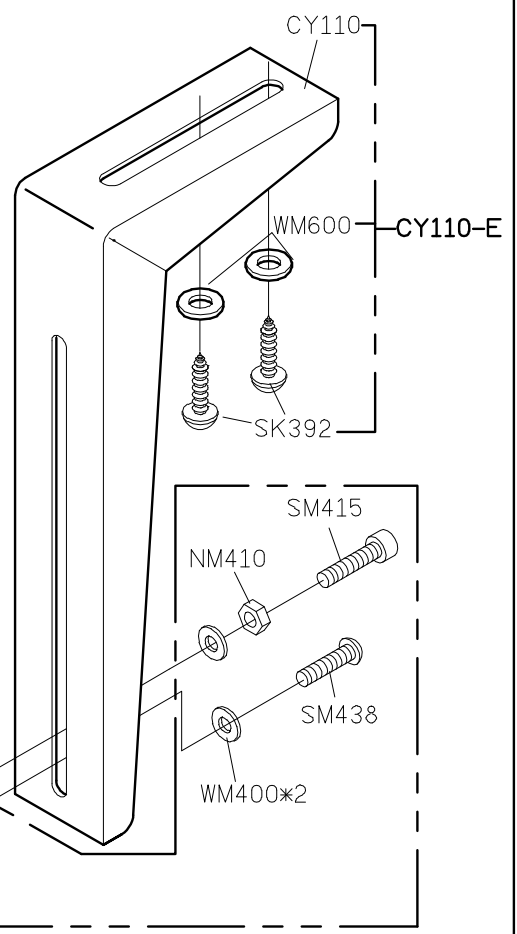
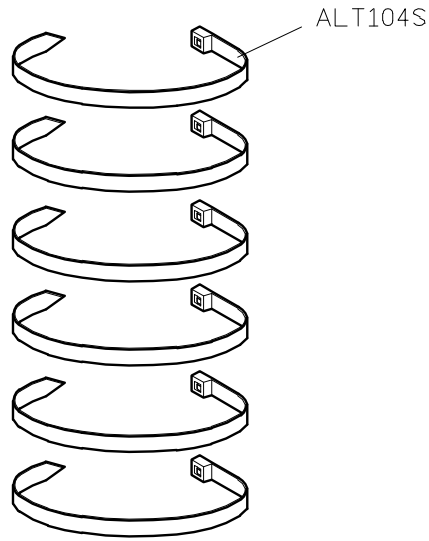
A

B

C

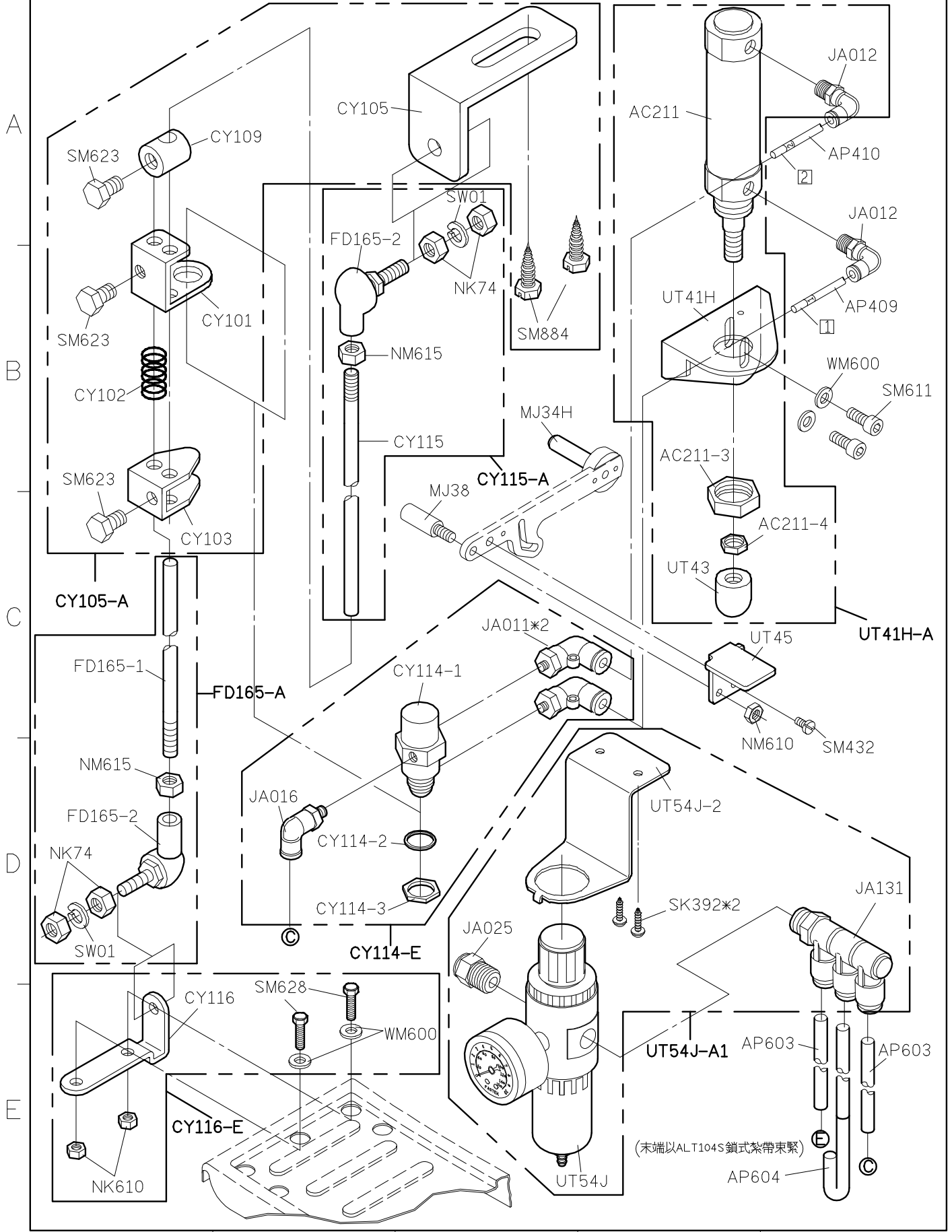
D

E



CY114-E

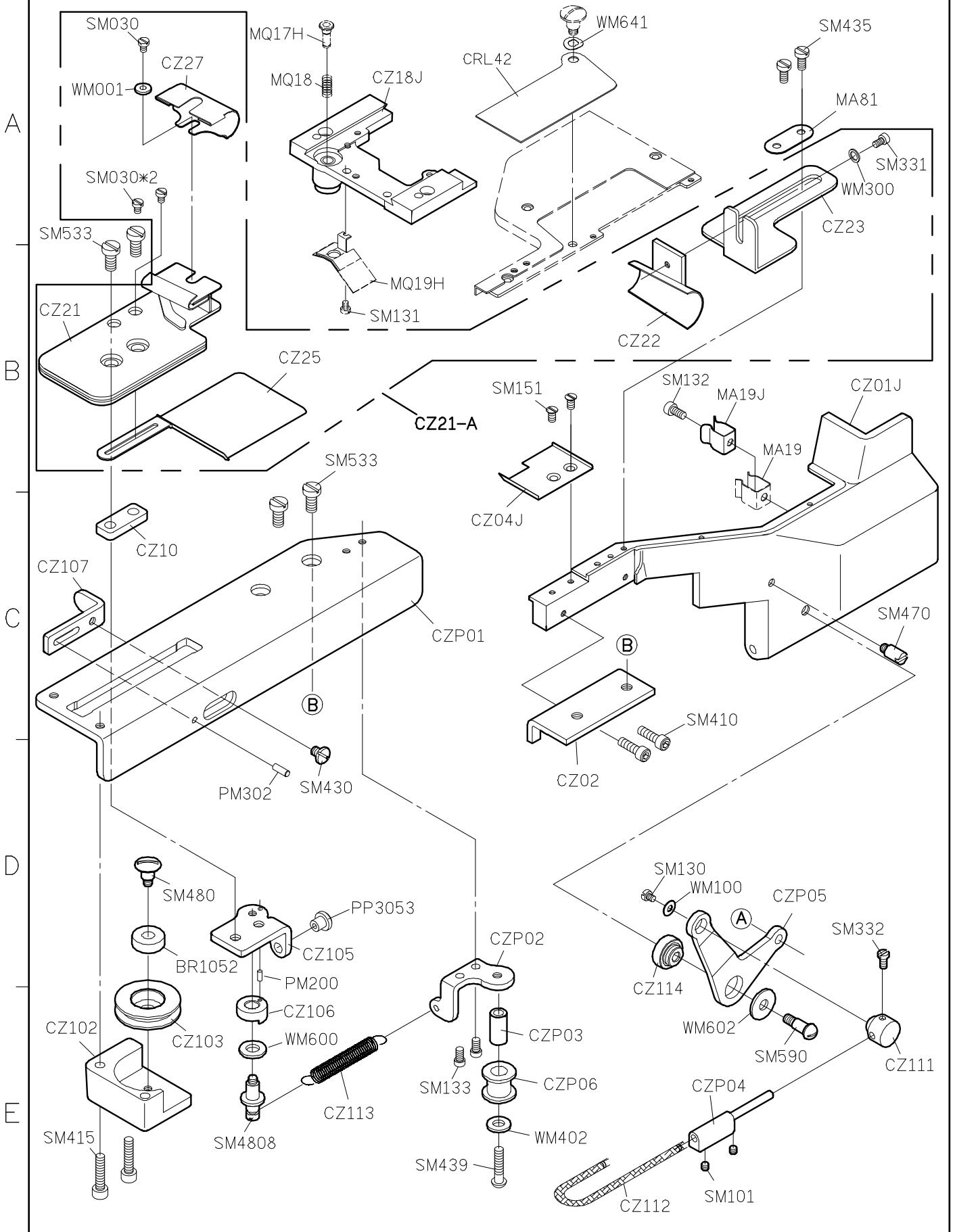
C007J PARTS LIST FOR CZ-J GROUP P.3/3



FOR C007J/C007JD/C858J/C858JD

10/07/01

C007J PARTS LIST FOR CZP-J GROUP P.1/2

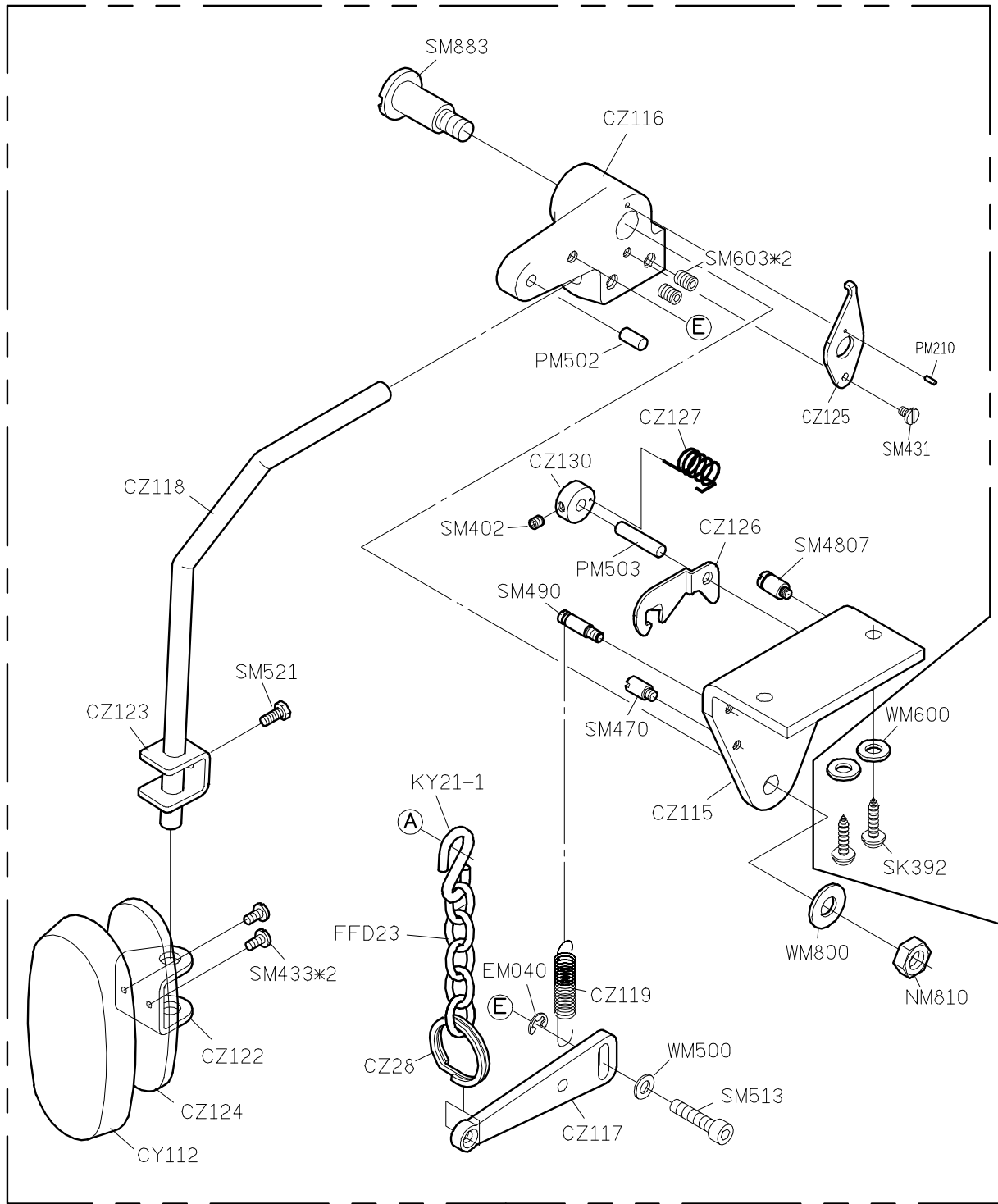


FOR C007J/C007JD/C858J/C858JD

10/07/01

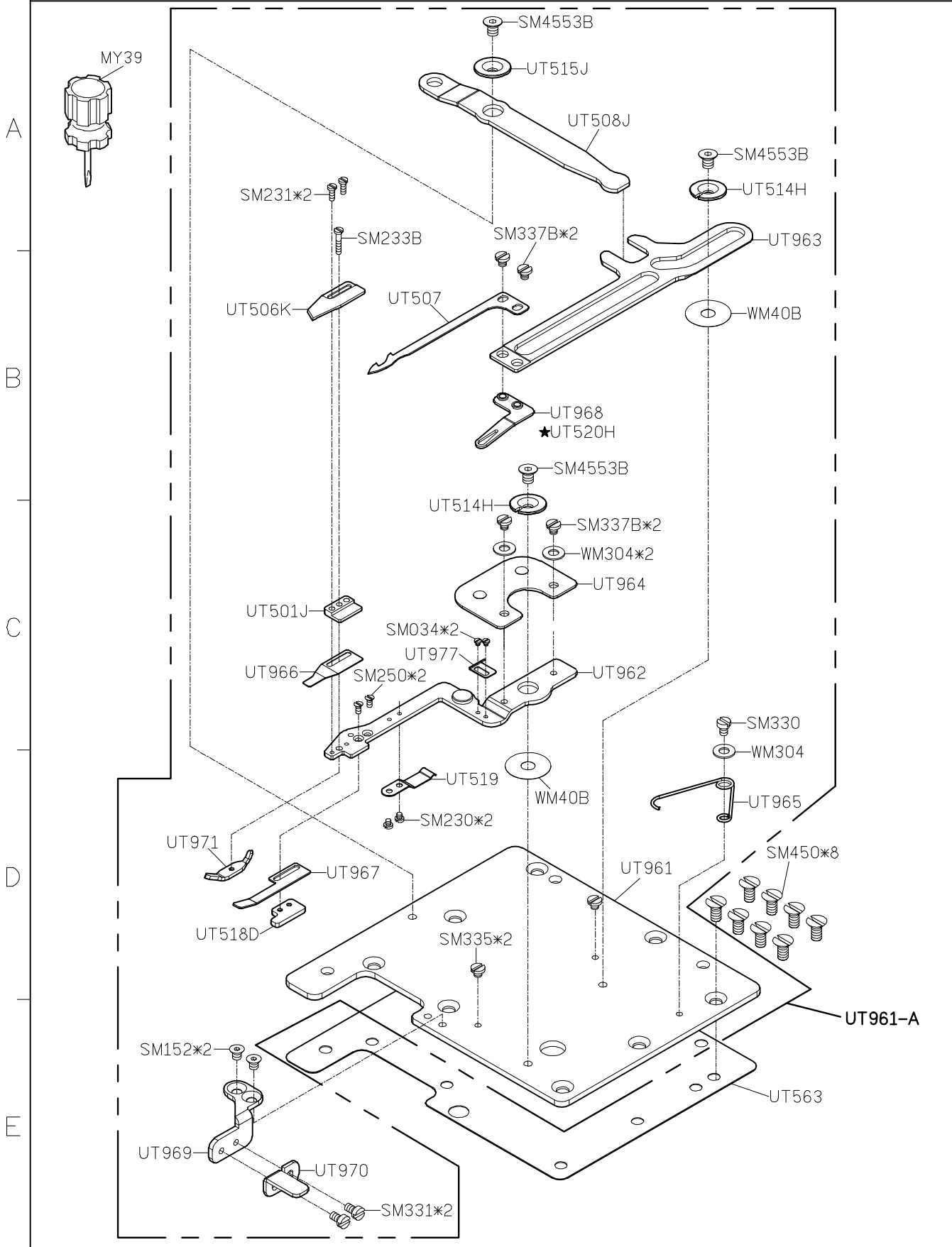
C007J PARTS LIST FOR CZP-J GROUP P.2/2

A
B
C
D
E



CZ116-A

C007J PARTS LIST FOR UTP-J(UTQ-J) GROUP P.1/12

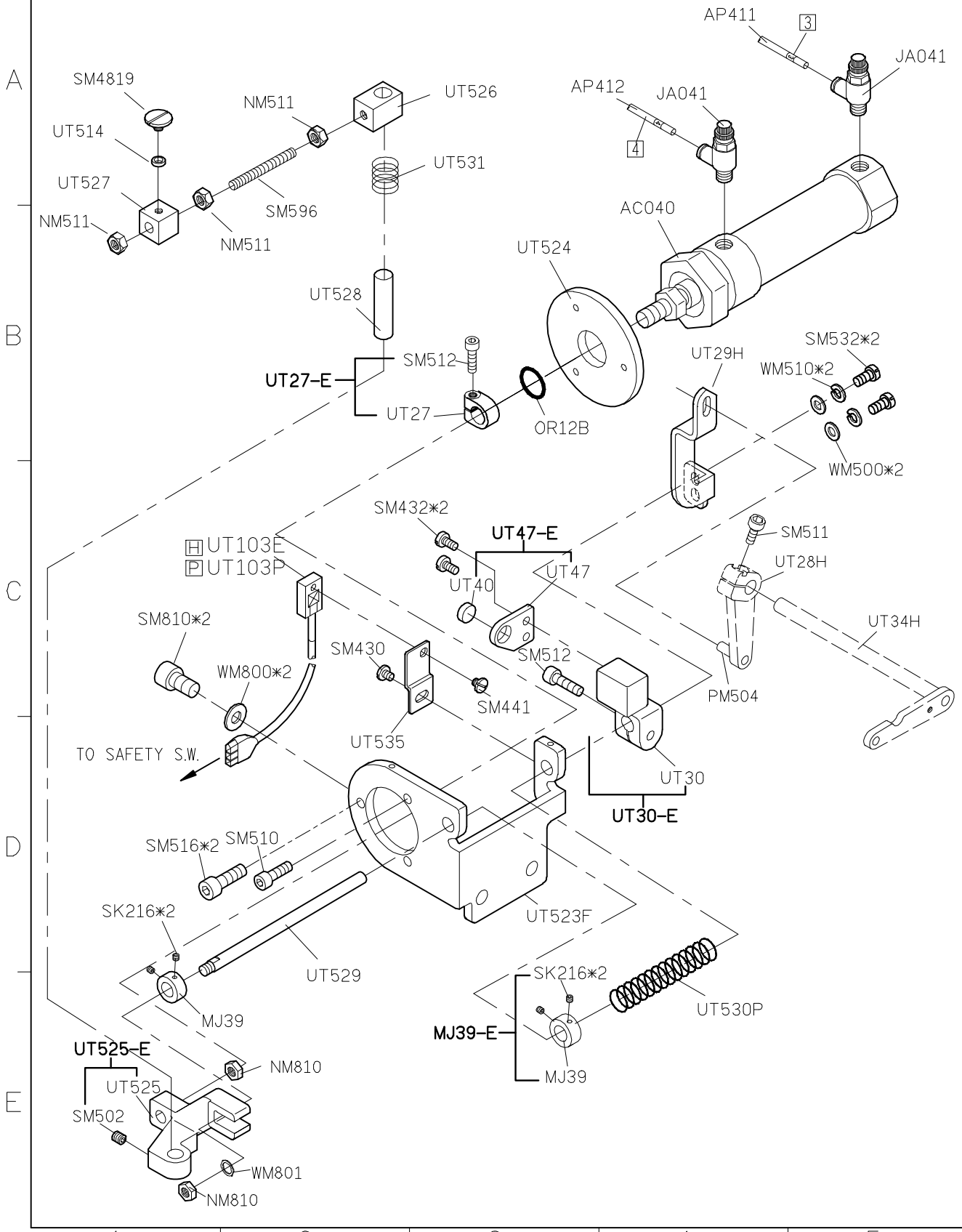




FOR C007J/C007JD/C858J/C858JD

★适用于UTP/CR/CX, UTQ/CR/CX, UTR/CR/CX, UTS/CR/CX车型

11/11/21

C007J PARTS LIST FOR UTP-J(UTQ-J) GROUP P.2/12



FOR C007J/C007JD/C858J/C858JD  FOR H牌馬達  FOR P牌馬達

C007J PARTS LIST FOR UTP-J(UTQ-J) GROUP P.3/12

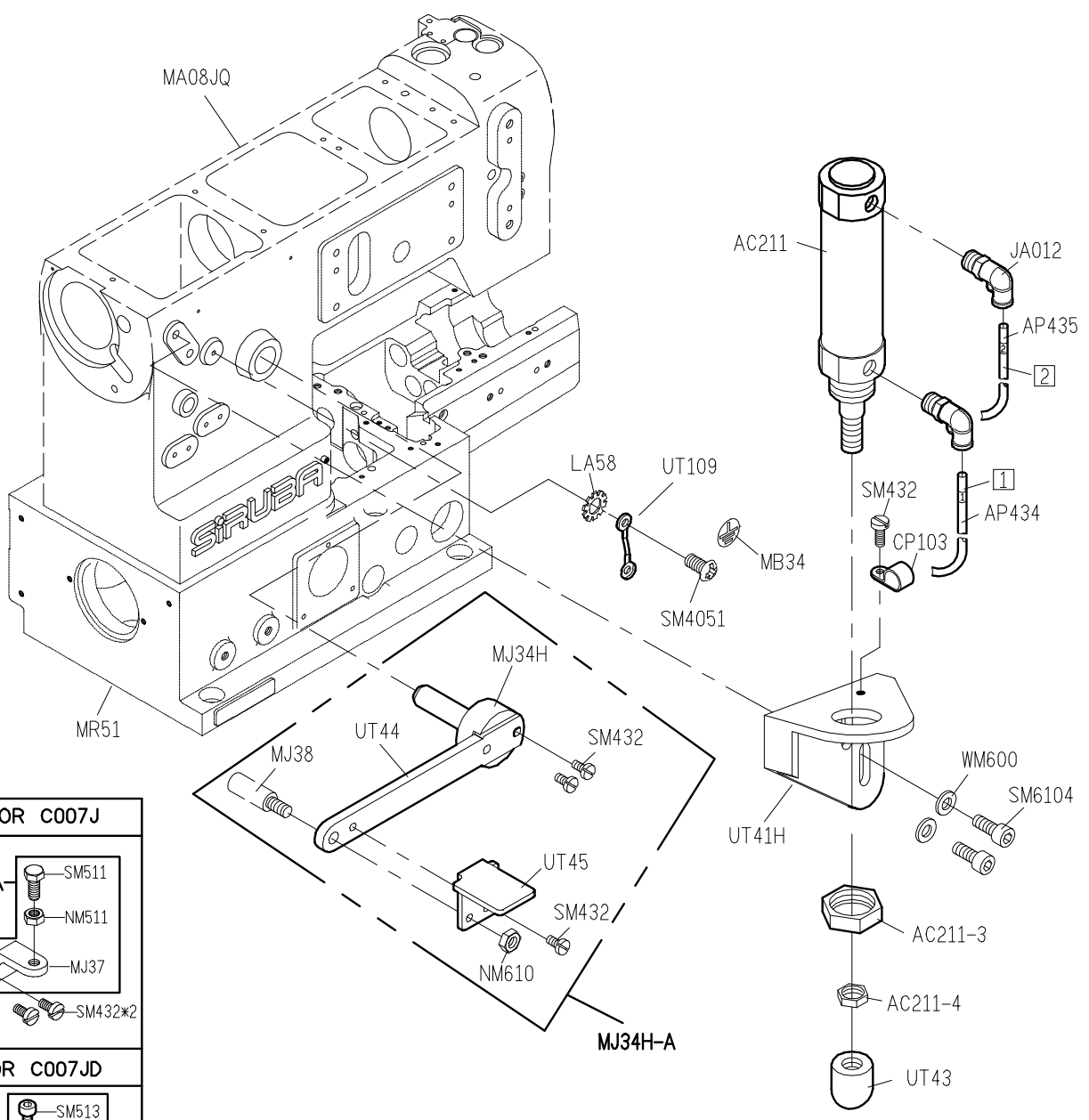
A

B

C

D

E



USE FOR C007J

MJ37-A

SM511

NM511

MJ37

SM432*2

USE FOR C007JD

MJ137-E

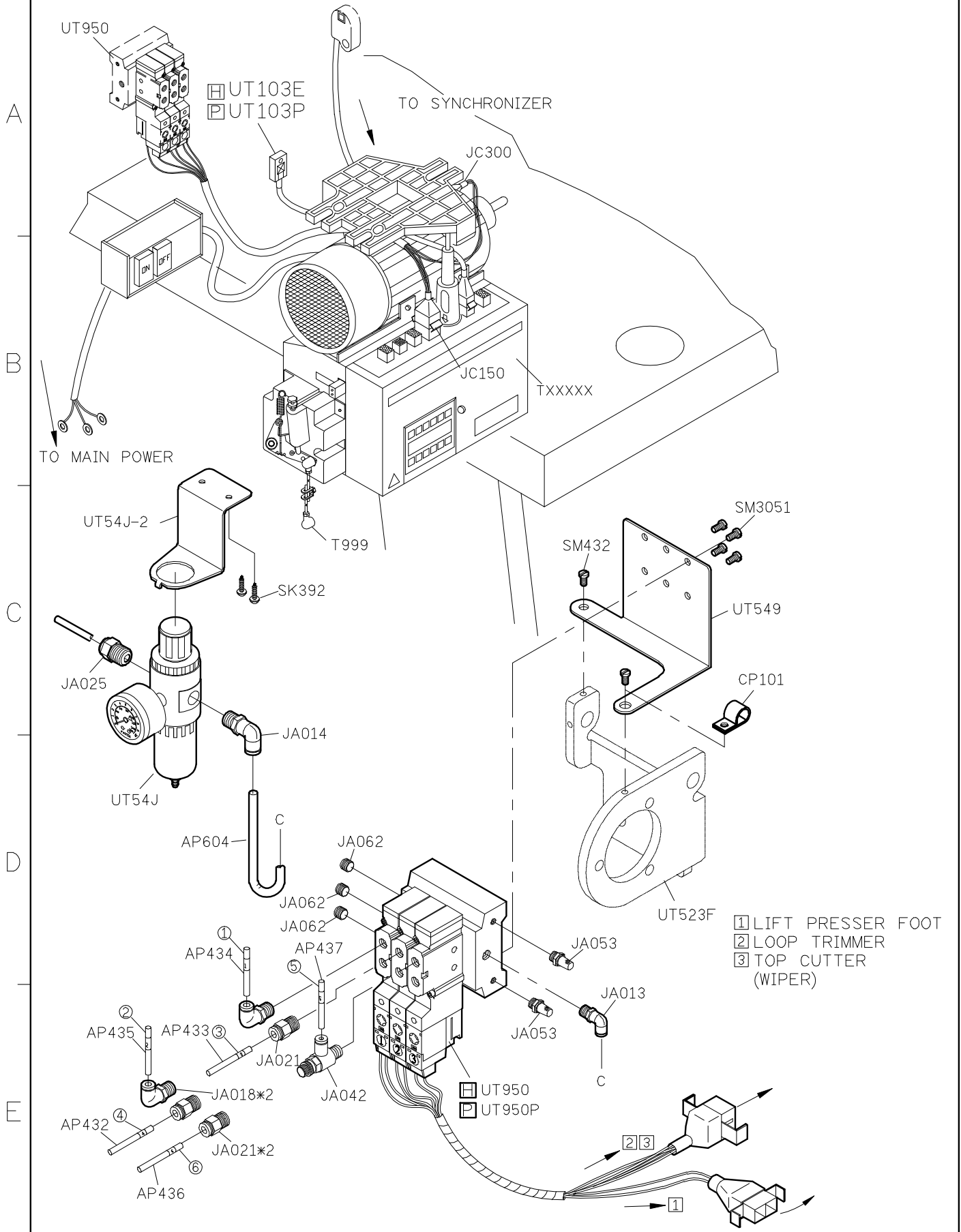
SM513

NM511

MJ137

SM432*2

C007J PARTS LIST FOR UTP-J(UTQ-J) GROUP P.4/12

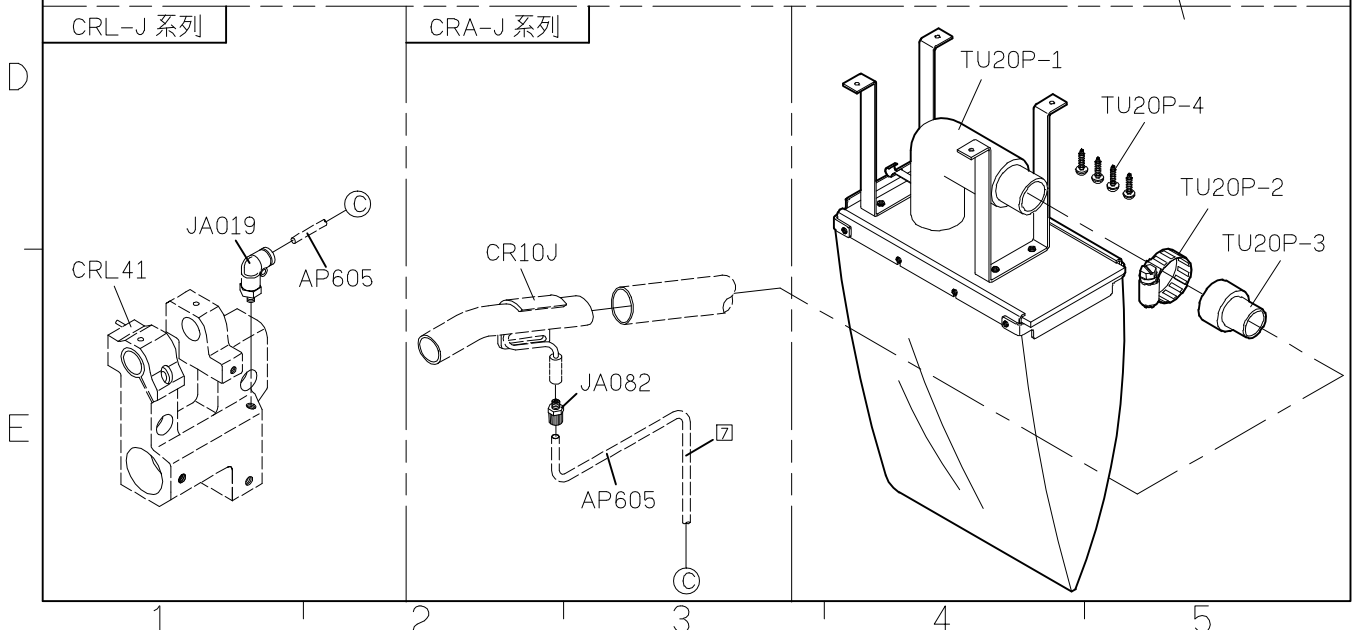
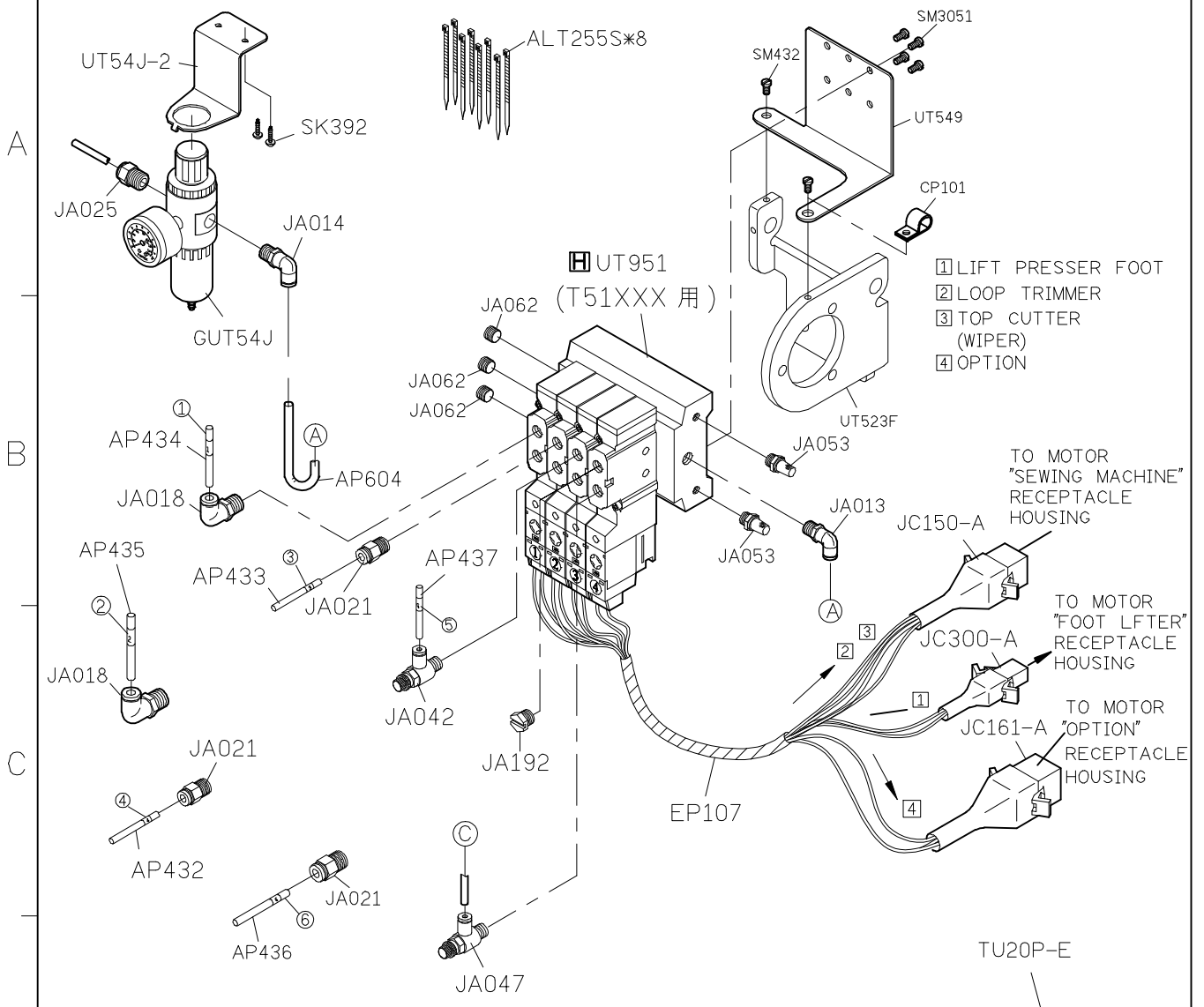


FOR C007J/C858J

□ FOR H牌馬達
○ FOR P牌馬達

10/07/01

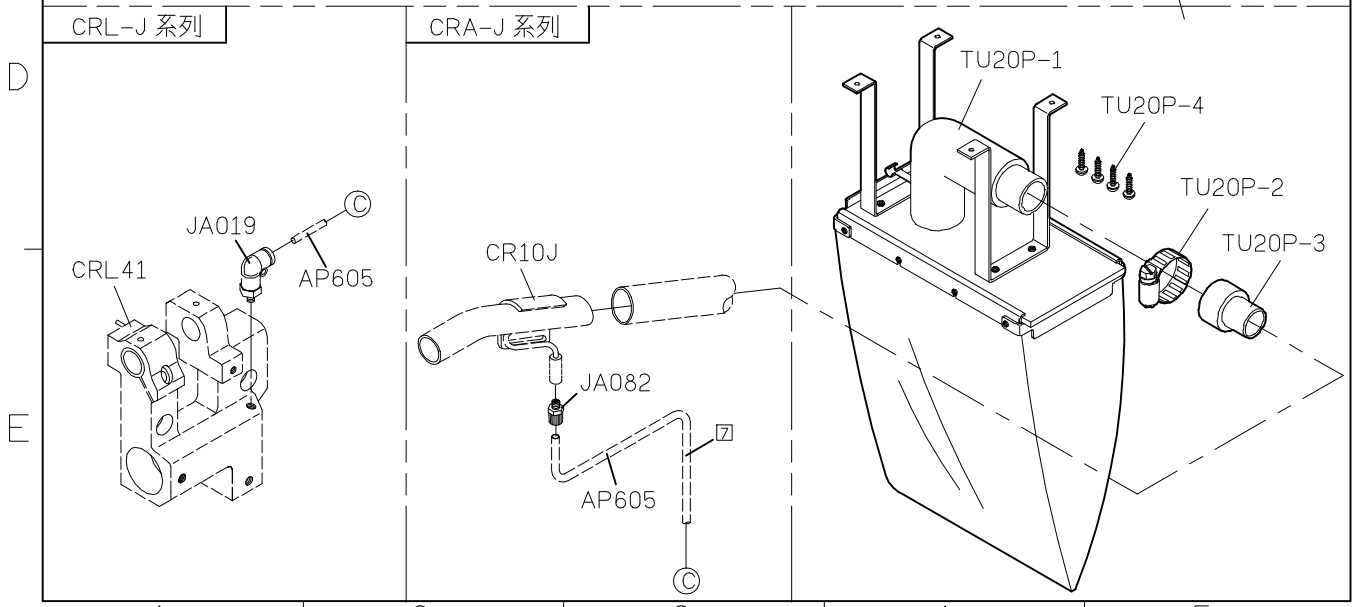
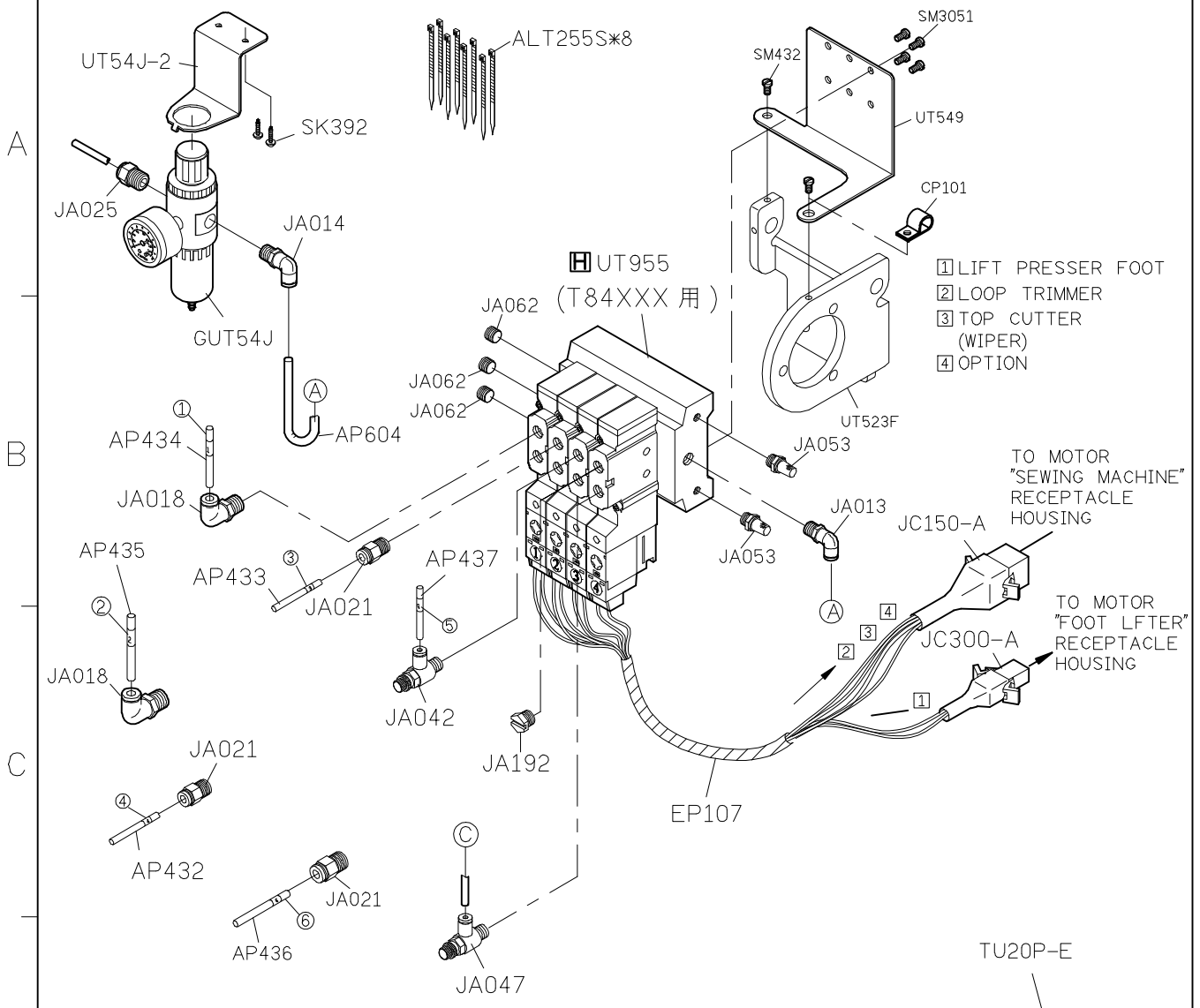
C007J PARTS LIST FOR UTP-J(UTQ-J) GROUP P.5/12



FOR C007J/C007JD/C858J/C858JD

11/05/03

C007J PARTS LIST FOR UTP-J(UTQ-J) GROUP P.6/12



FOR C007J/C007JD/C858J/C858JD

FOR H牌高速 (HVP-20)

11/05/03

C007J PARTS LIST FOR UTP-J(UTQ-J) GROUP P.7/12

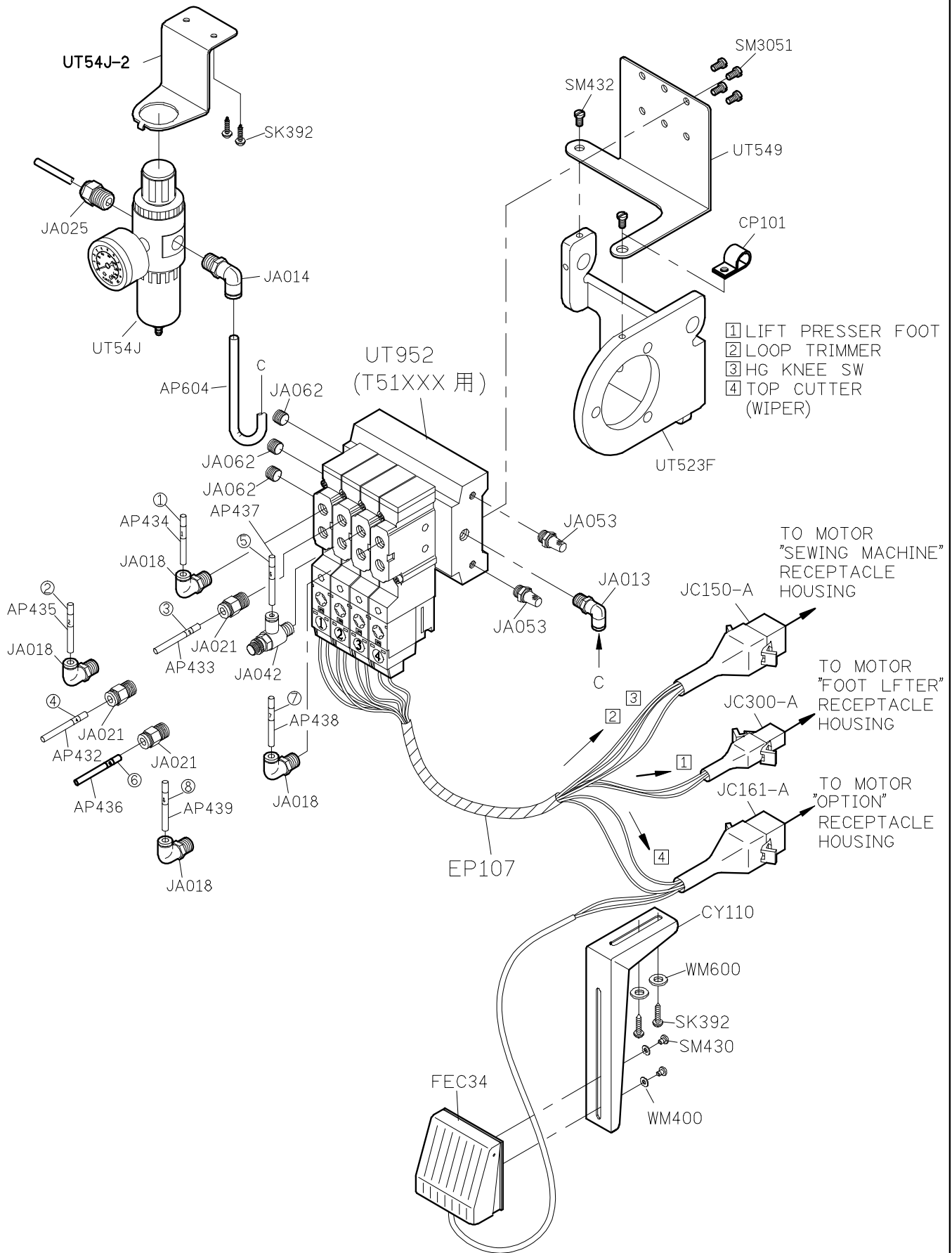
A

B

C

D

E



- ① LIFT PRESSER FOOT
- ② LOOP TRIMMER
- ③ HG KNEE SW
- ④ TOP CUTTER (WIPER)

C007J PARTS LIST FOR UTP-J(UTQ-J) GROUP P.8/12

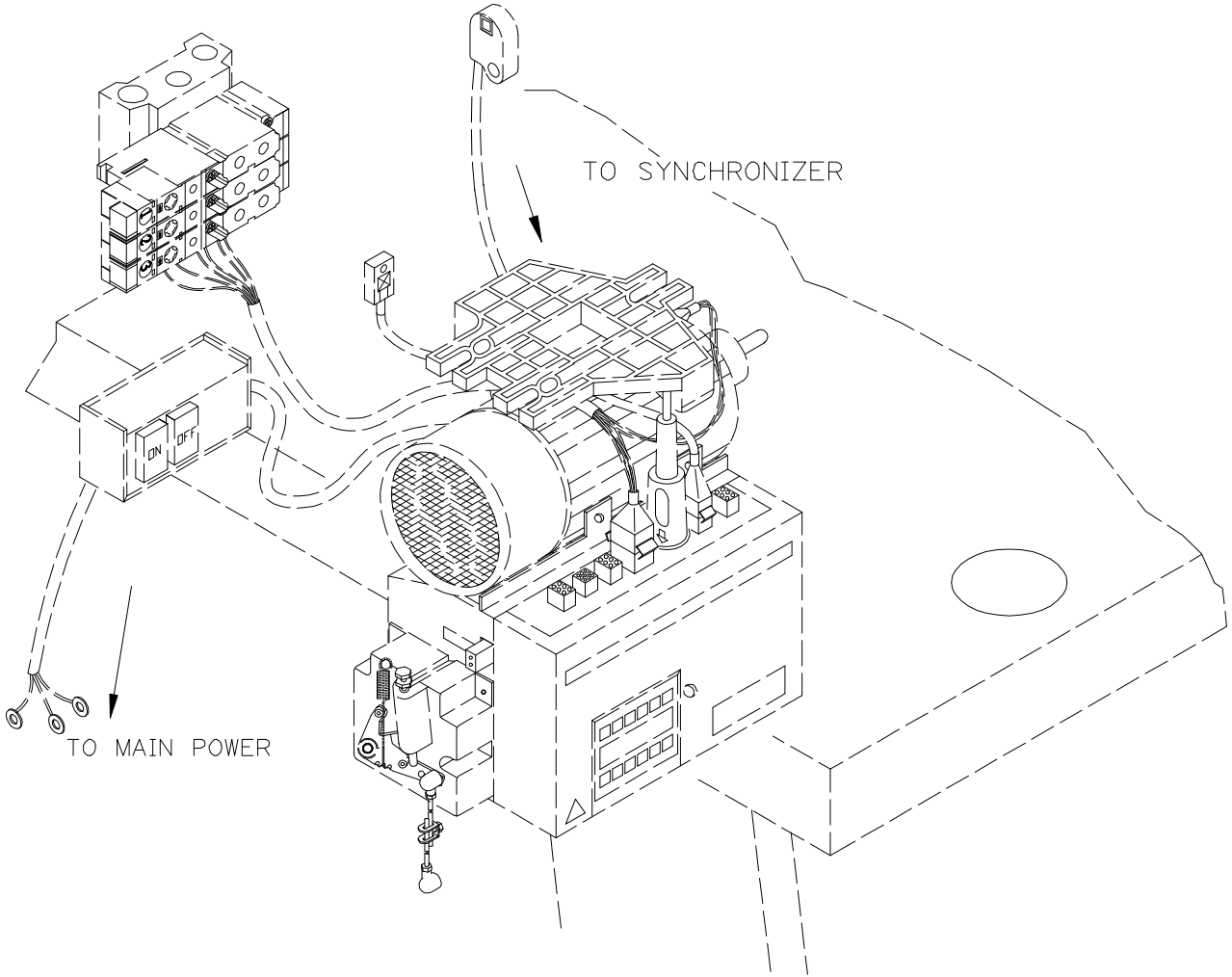
A

B

C

D

E



1

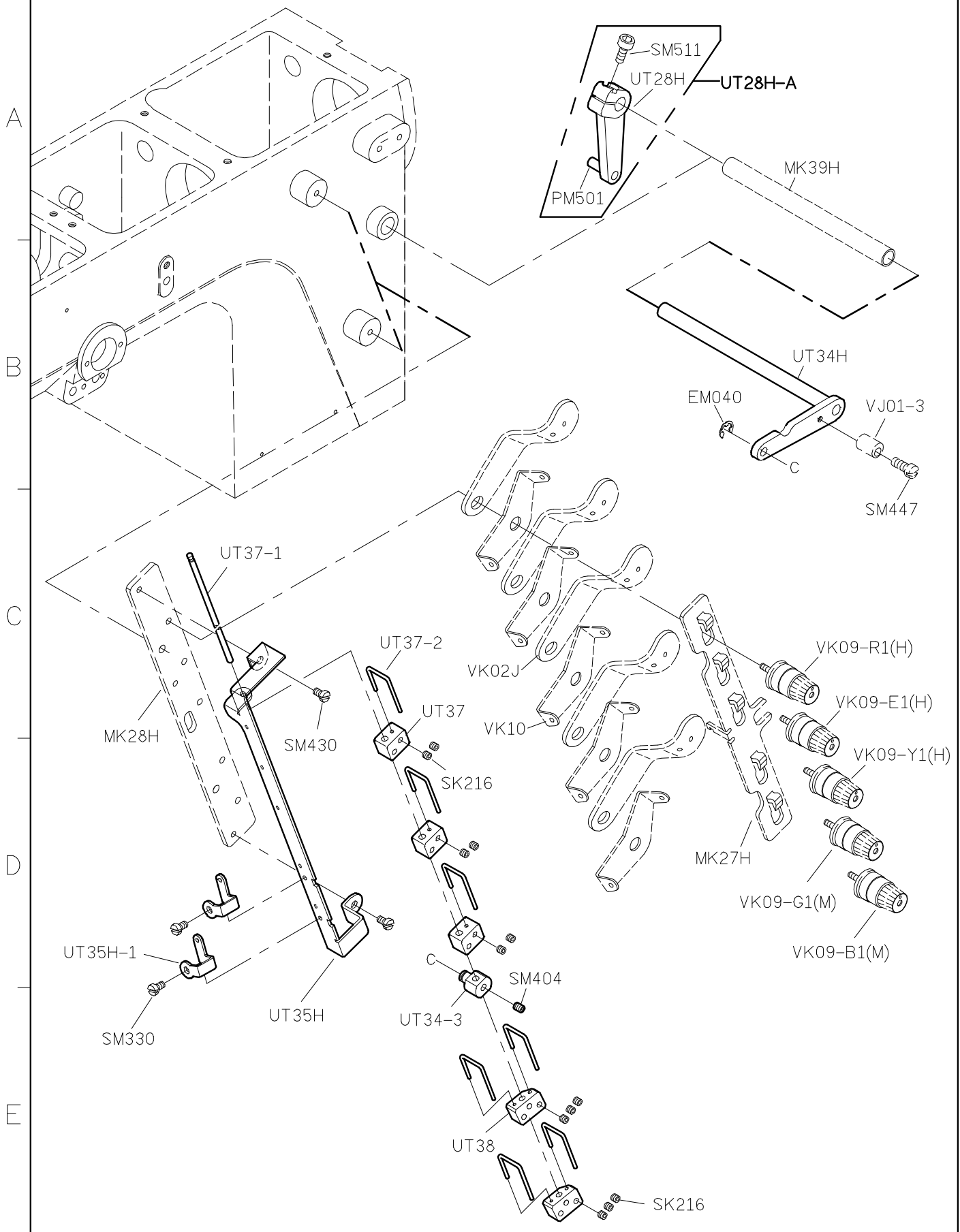
2

3

4

5

C007J PARTS LIST FOR UTP-J(UTQ-J) GROUP P.9/12



C007J PARTS LIST FOR UTQ-J GROUP P.10/12

A

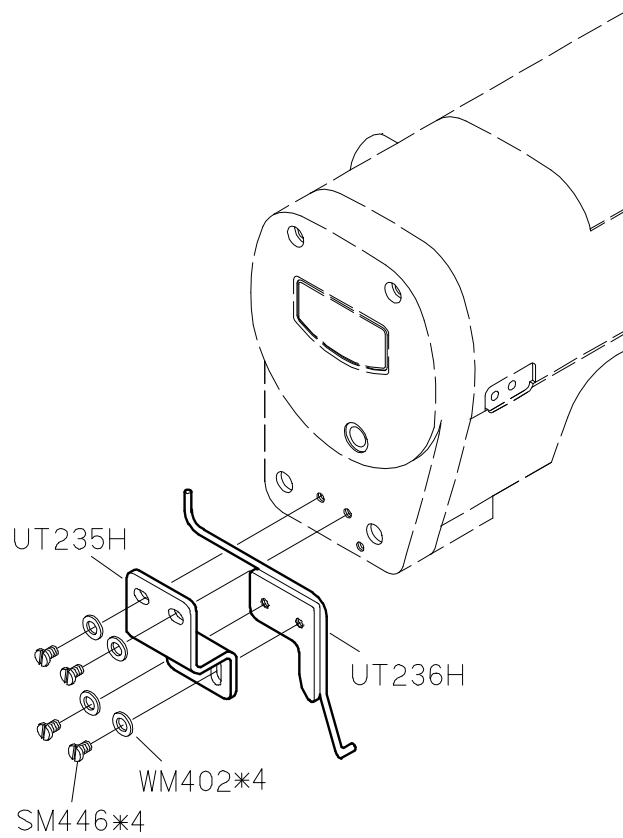
B

C

D

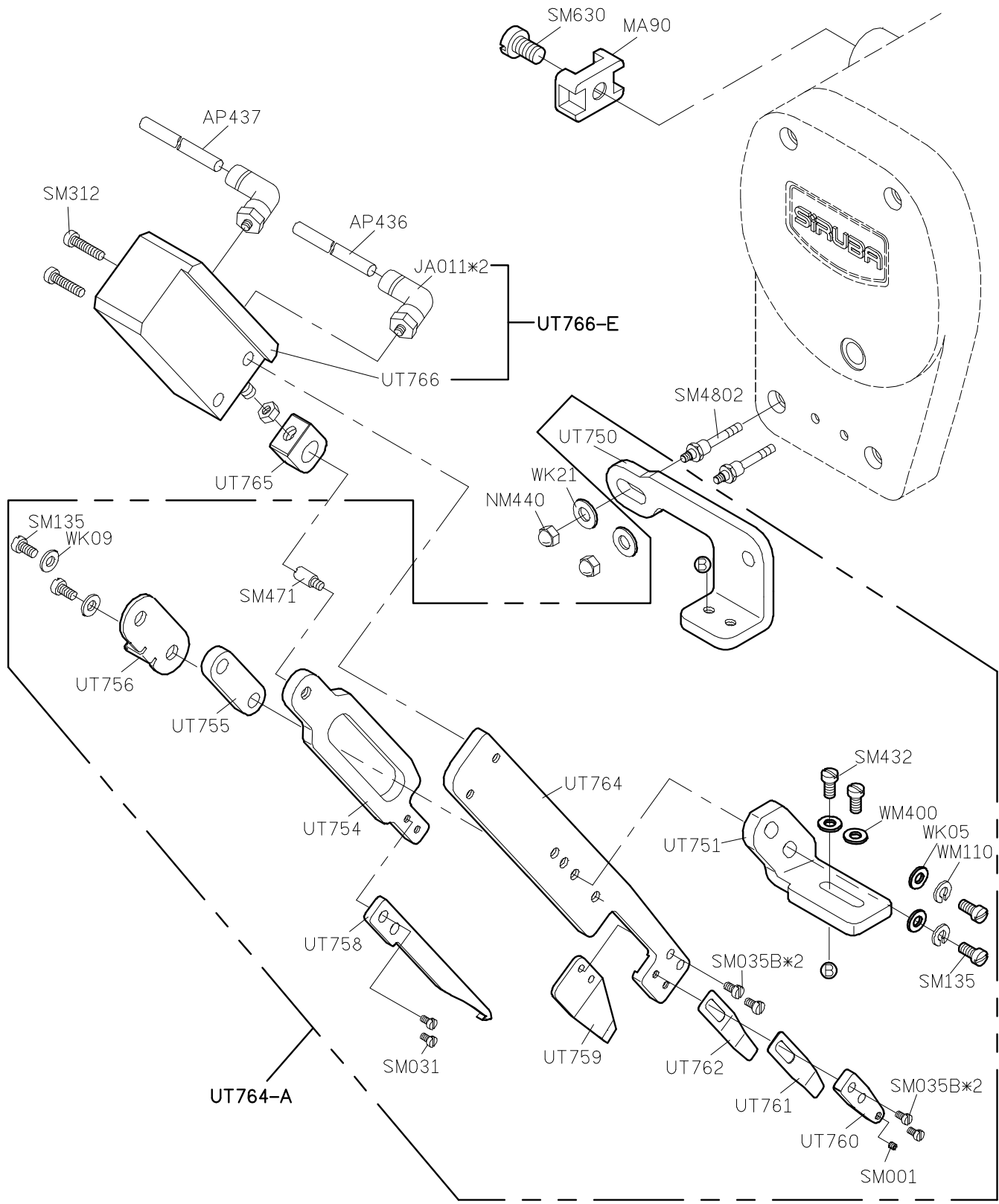
E

FOR LEFT SIDE

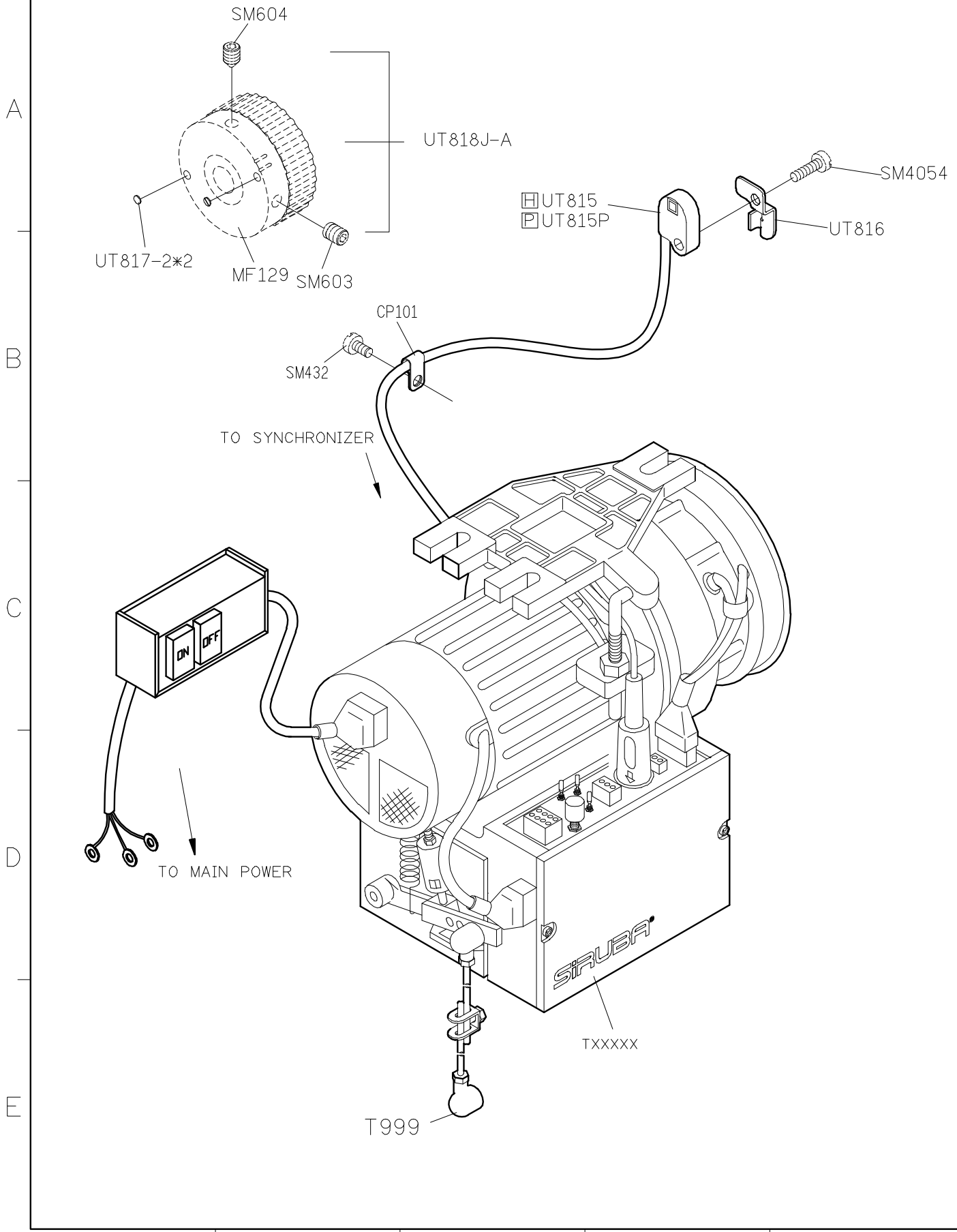


C007J PARTS LIST FOR UTP-J GROUP P.11/12

A
B
C
D
E



C007J PARTS LIST FOR UTP-J(UTQ-J) GROUP P.12/12



A

B

C

D

E

1

2

3

4

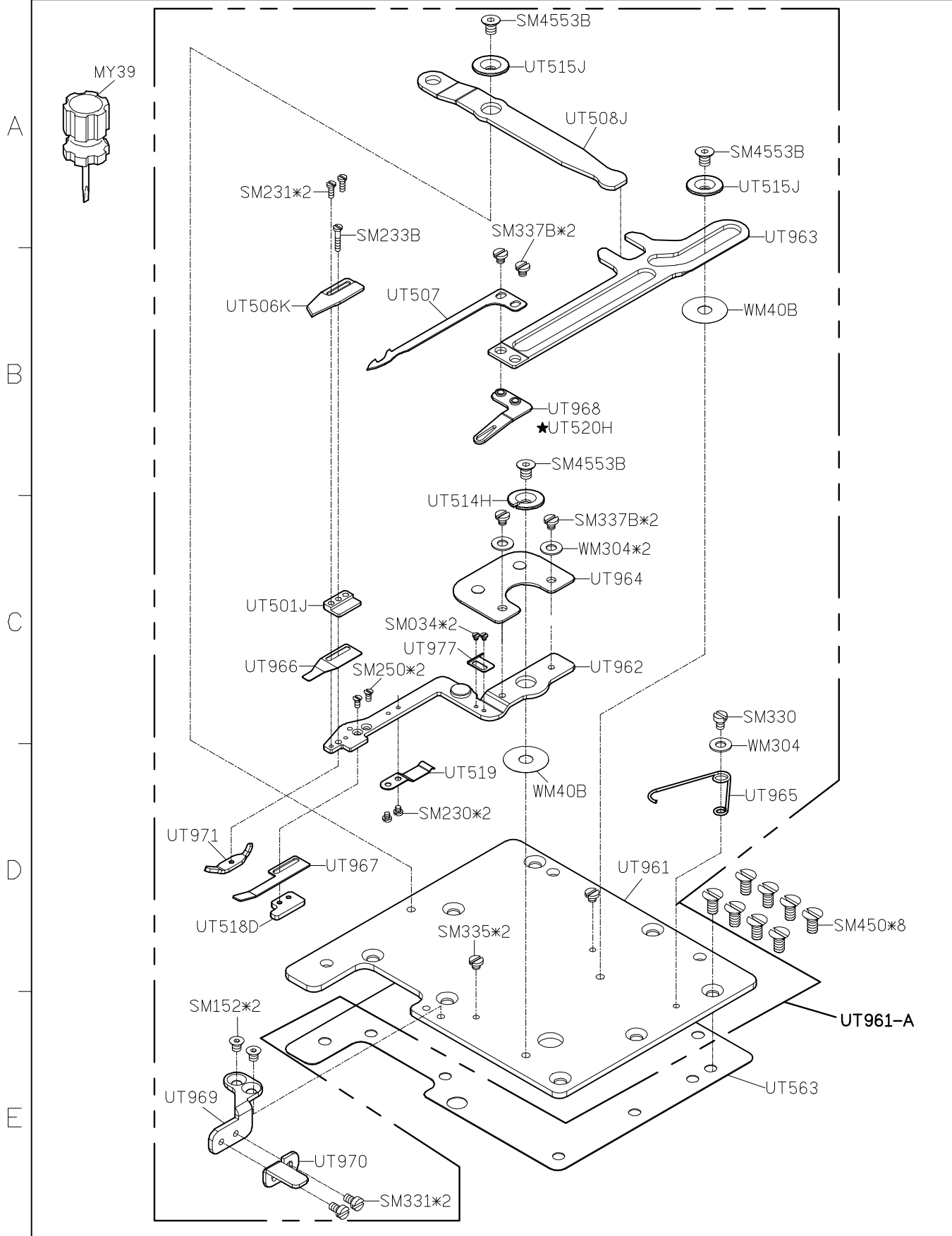
5

FOR F007J/C007J/F858J/C858J

□ FOR H牌馬達
 □ FOR P牌馬達

10/07/01

C007J PARTS LIST FOR UTR-J(UTS-J) GROUP P.1/8

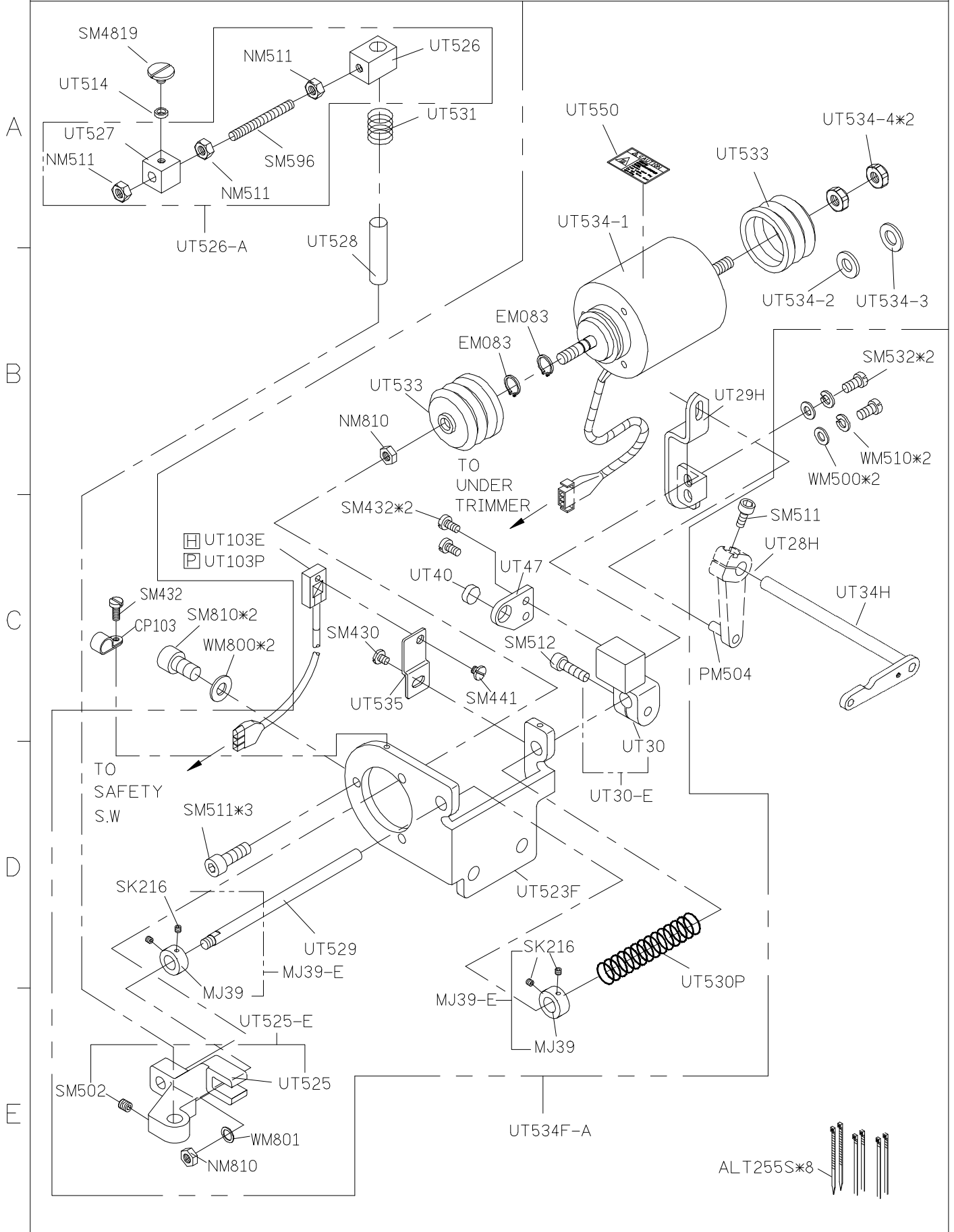


FOR C007J/C007JD/ C858J/C858JD

★ 适用于UTP/CR/CX, UTQ/CR/CX, UTR/CR/CX, UTS/CR/CX车型

11/11/21

C007J PARTS LIST FOR UTR-J(UTS-J) GROUP P.2/8



1 FOR C007J/C007JD/ C858J/C858JD

3

4

5

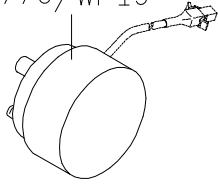
11/05/03

C007J PARTS LIST FOR UTR-J(UTS-J) GROUP P.3/8

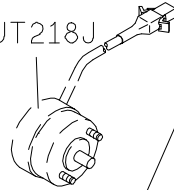
FOR UTR/WP/UTX

FOR UTS/UTY

UT776/WP19



UT218J



UT226D
 UT226P
 WP22(WP)

TO WIPER

SM630

CP112

UT534

TO UNDER TRIMMER

A

B

C

D

E

UT103E
 UT103P

TO SYNCHRONIZER

TO SAFETY S.W

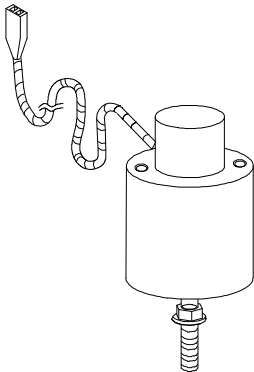
TO MAIN POWER

TO PRESSER FOOT

TXXXXX

T999

UT548K
 UT810P



1

2

3

4

5

FOR C007J/C858J

FOR H牌馬達
 FOR P牌馬達

C007J PARTS LIST FOR UTR-J(UTS-J) GROUP P.4/8

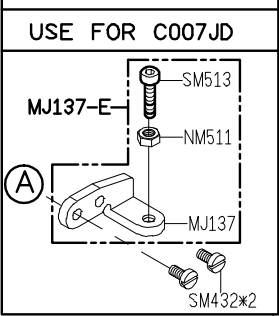
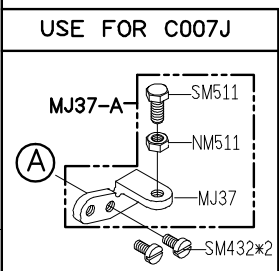
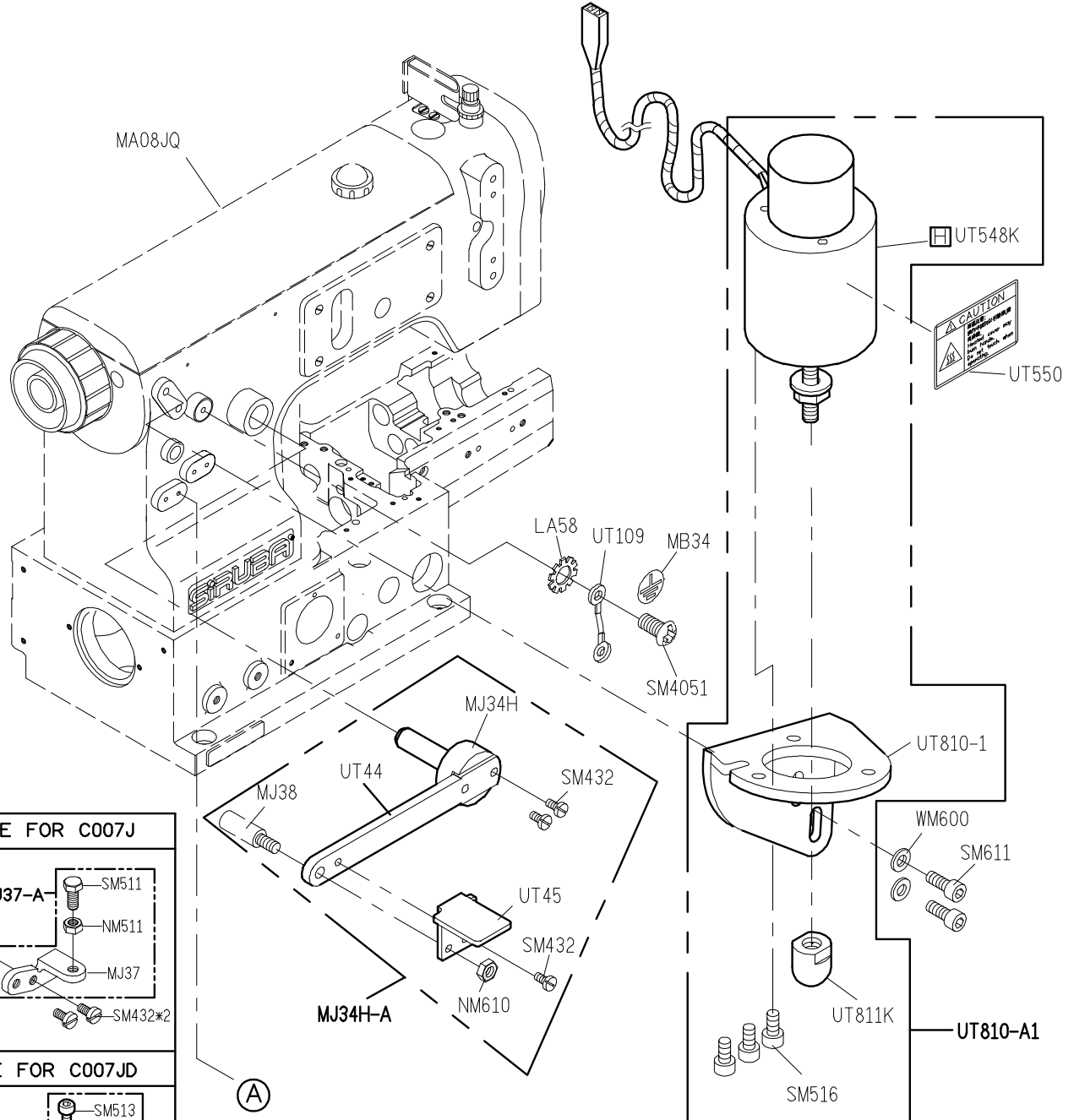
A

B

C

D

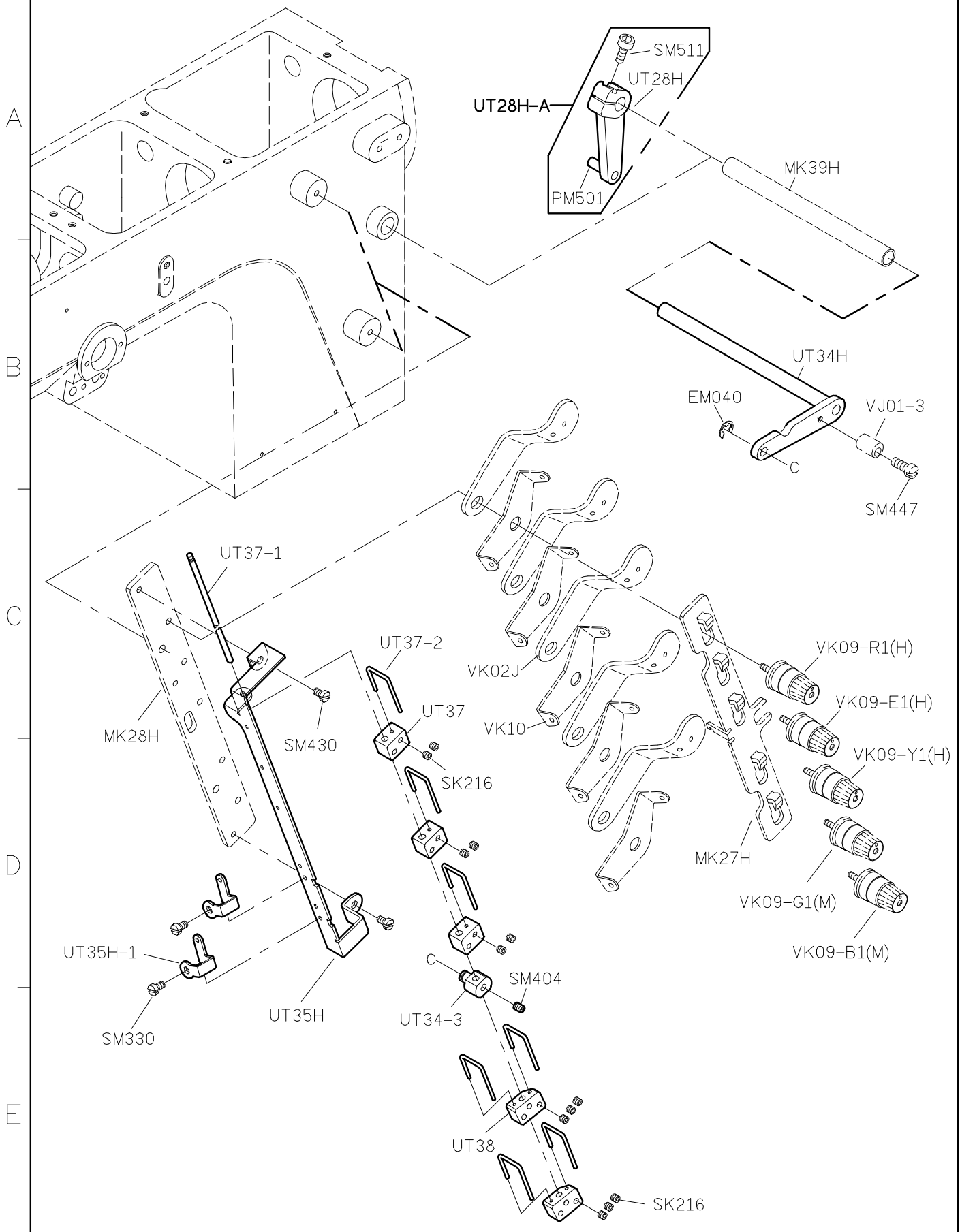
E



FOR C007J/C858J

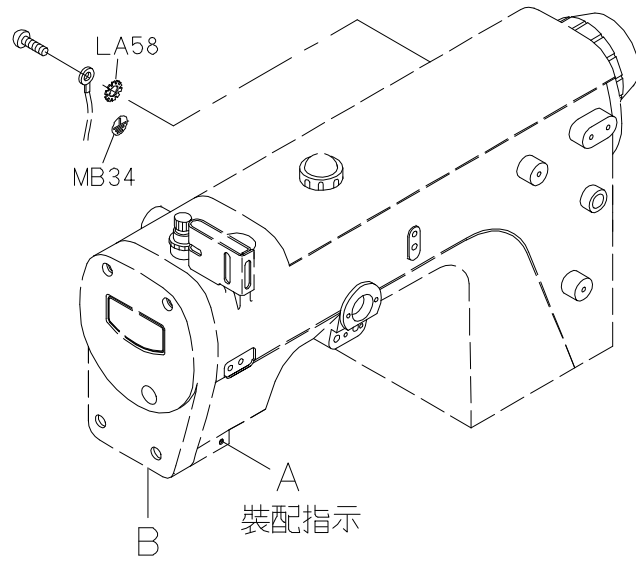
FOR H牌馬達

C007J PARTS LIST FOR UTR-J(UTS-J) GROUP P.5/8



C007J PARTS LIST FOR UTS-J GROUP P.6/8

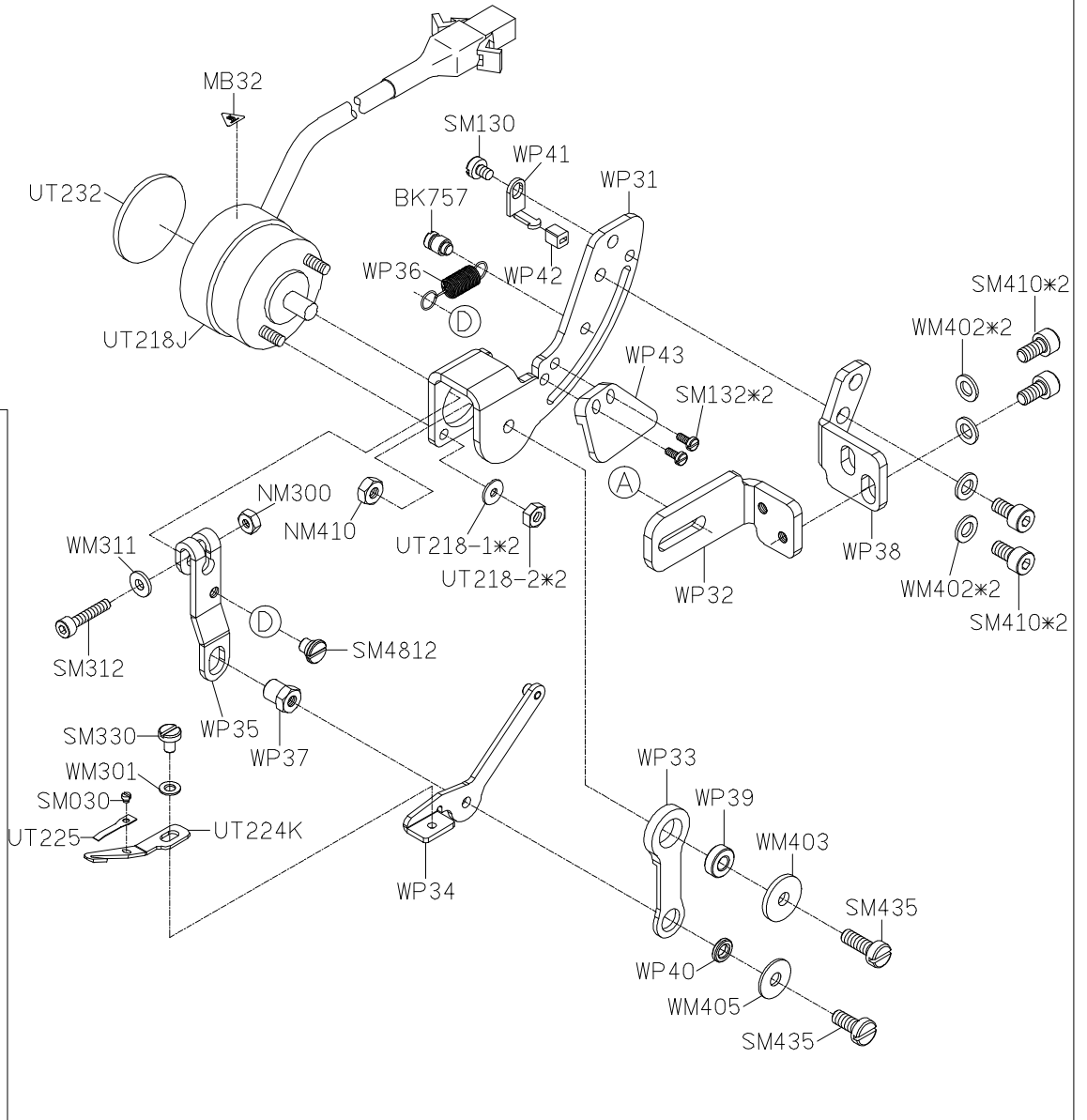
A



B

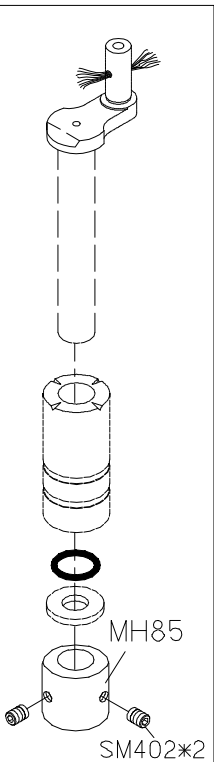
UTS系列

C



D

E



C007J PARTS LIST FOR UTR-J GROUP P.7/8

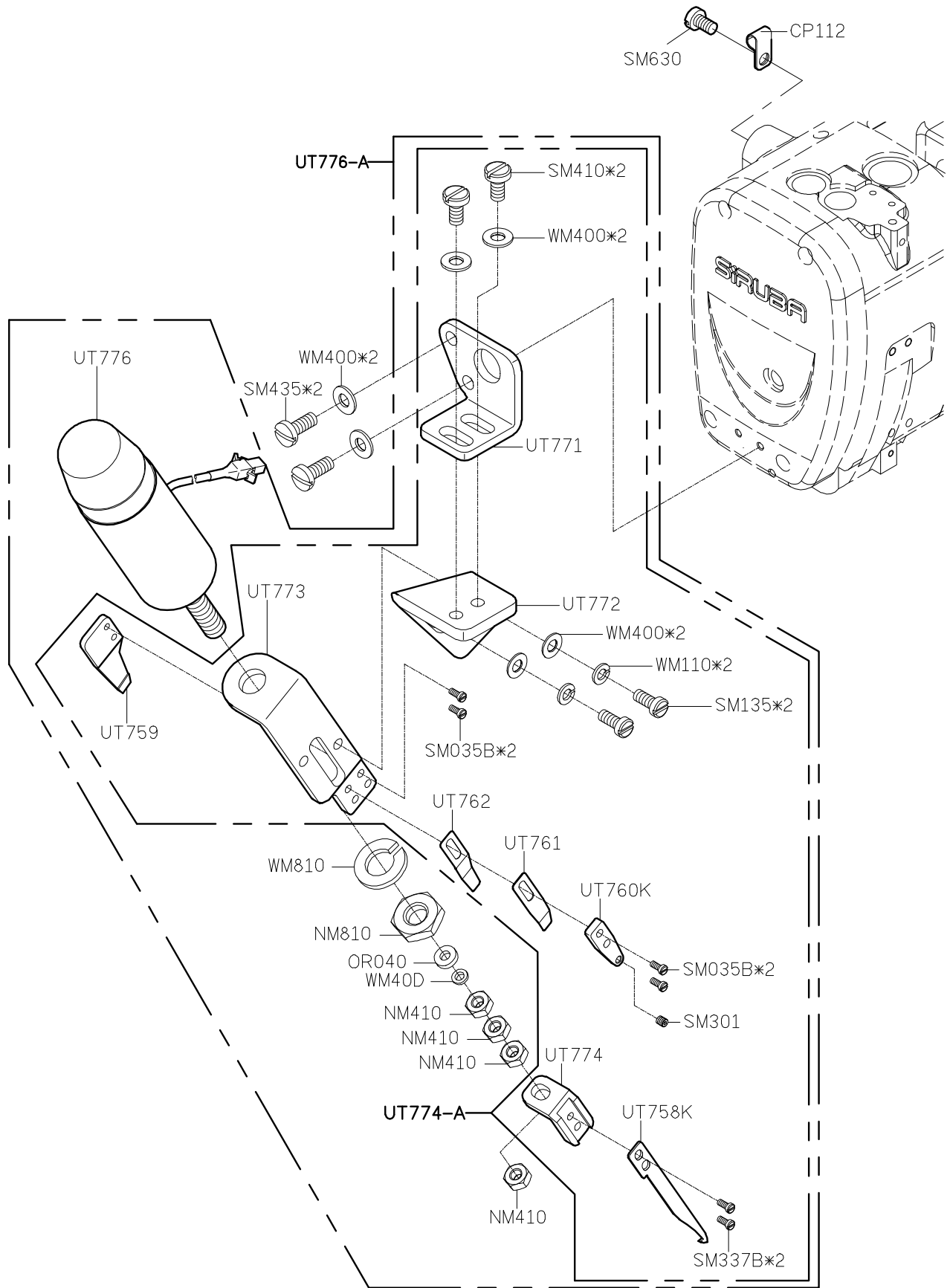
A

B

C

D

E



1

2

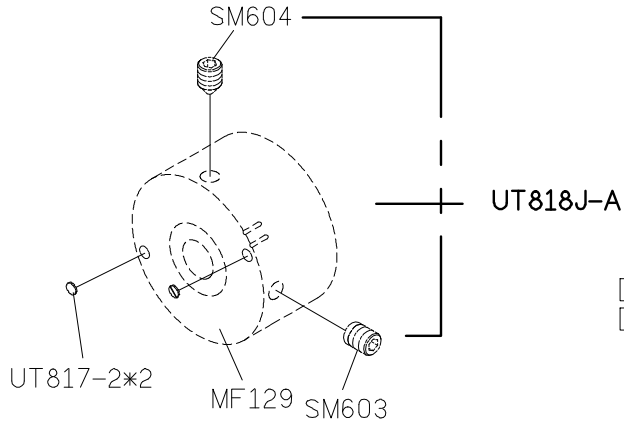
3

4

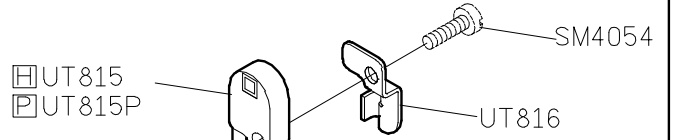
5

C007J PARTS LIST FOR UTR-J(UTS-J) GROUP P.8/8

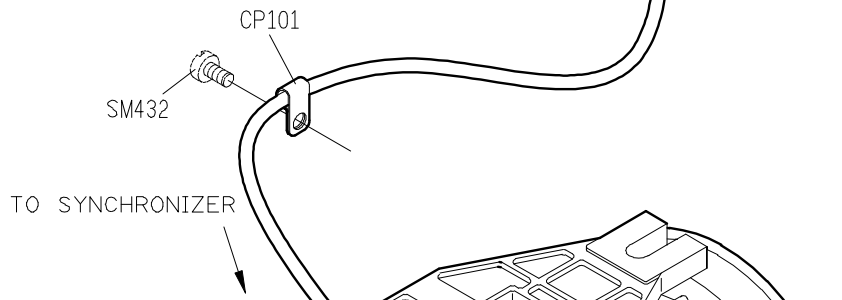
A



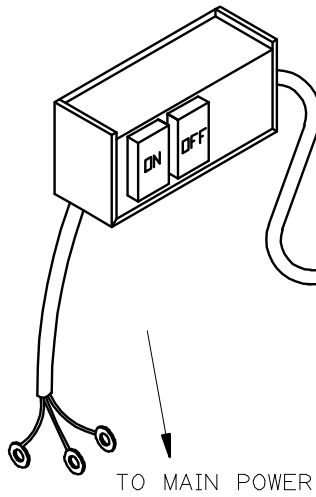
B



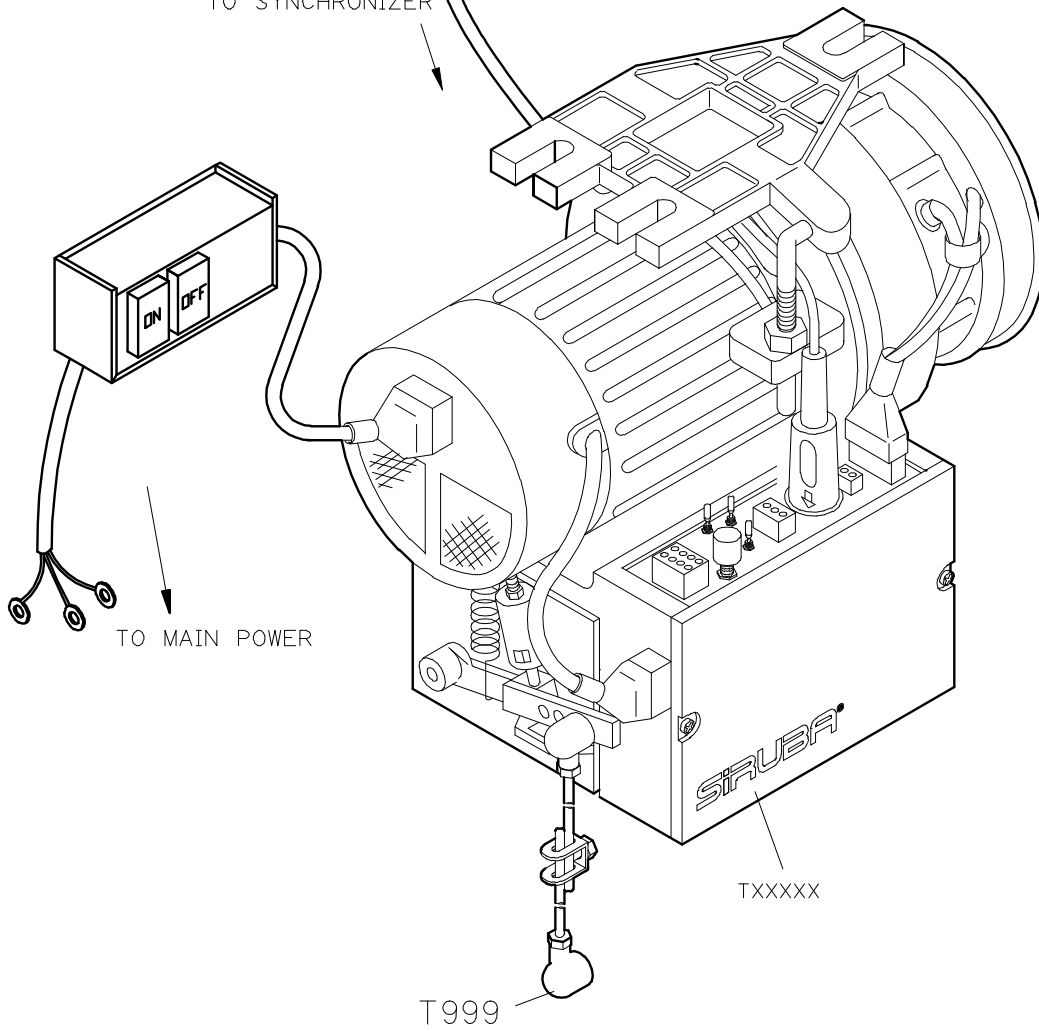
C



D



E

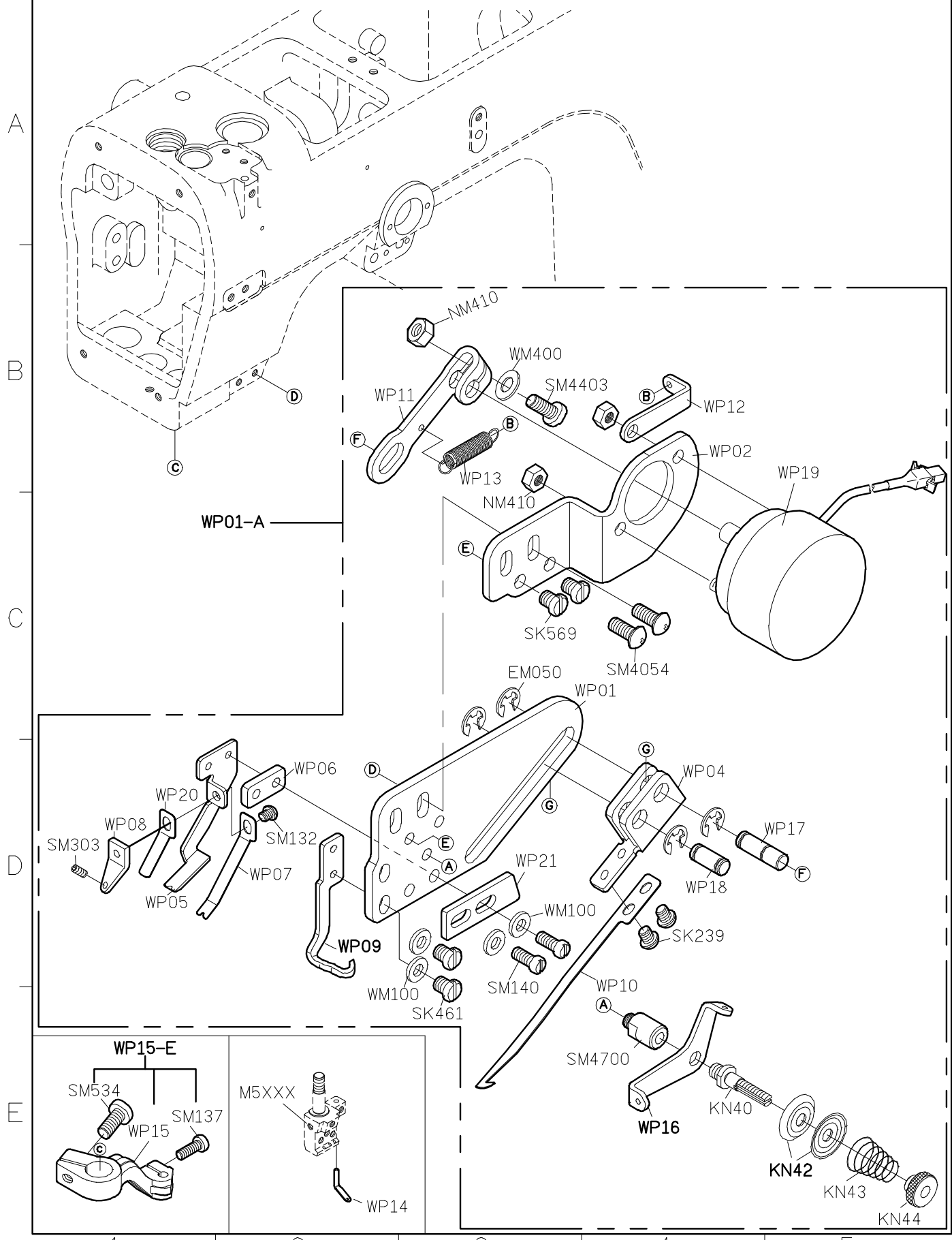


1 FOR C007J/C007JD/ C858J/C858JD

2 FOR H牌馬達
 FOR P牌馬達

3 4 5 10/12/19

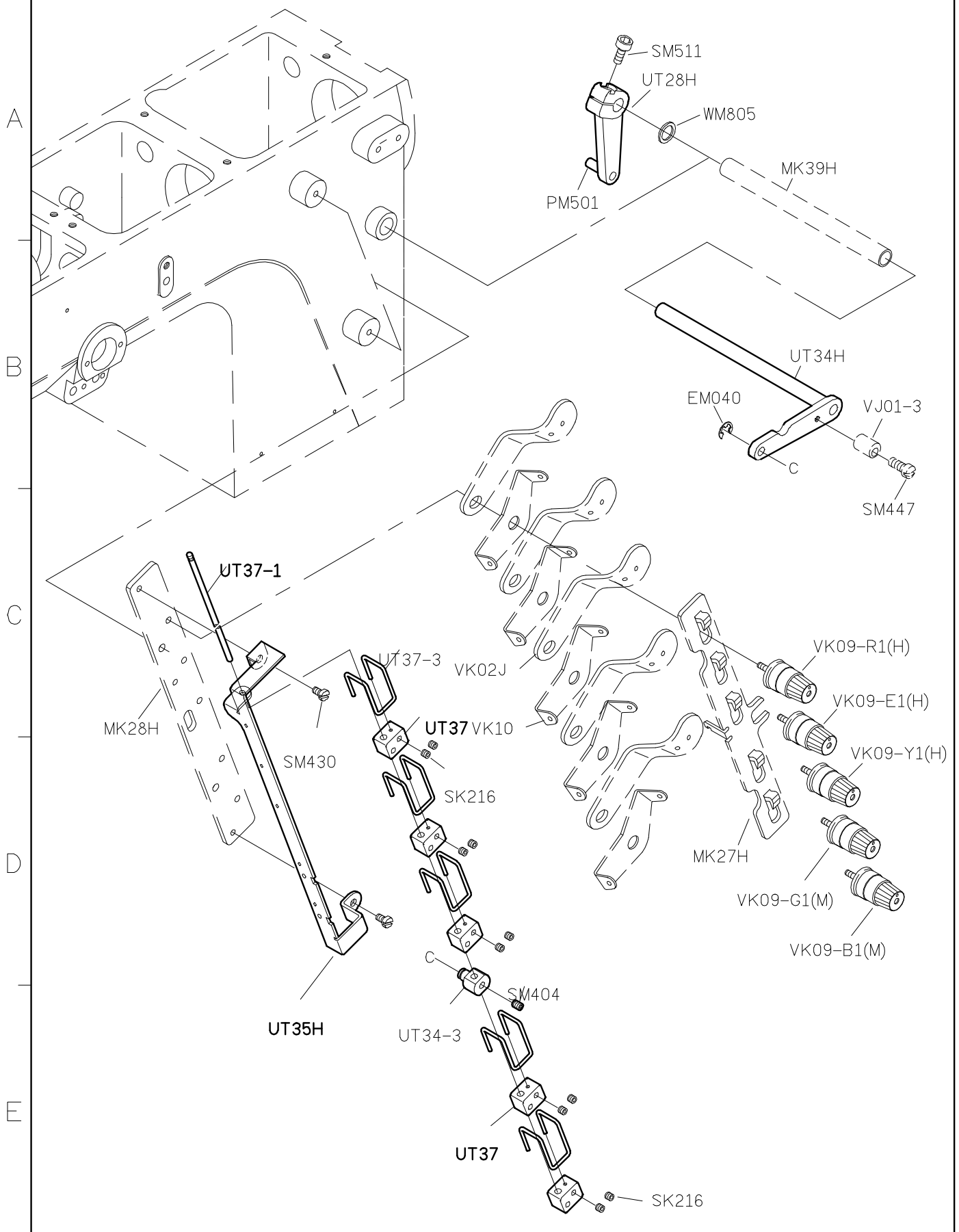
C007J PARTS LIST FOR WP GROUP P.1/2



FOR F007J/F007JD/C007J/C007JD/S007K/S007KD
 FOR F858J/F858JD/C858J/C858JD

10/07/01

C007J PARTS LIST FOR WP GROUP P.2/2



1 FOR F007J/F007JD/C007J/C007JD/S007K/S007KD
 2 FOR F858J/F858JD/C858J/C858JD
 3
 4
 5

10/07/01