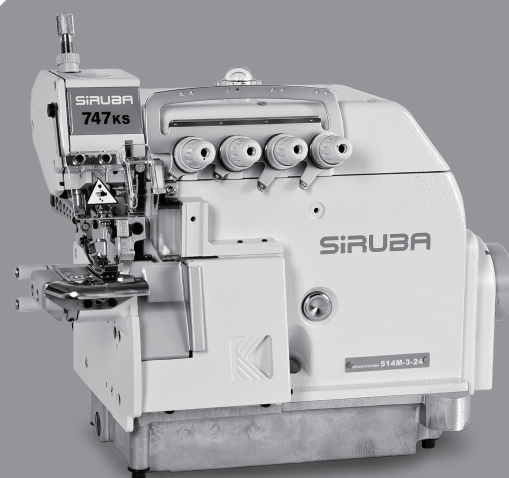


**SIRUBA**<sup>®</sup> Sew Reach

零件圖

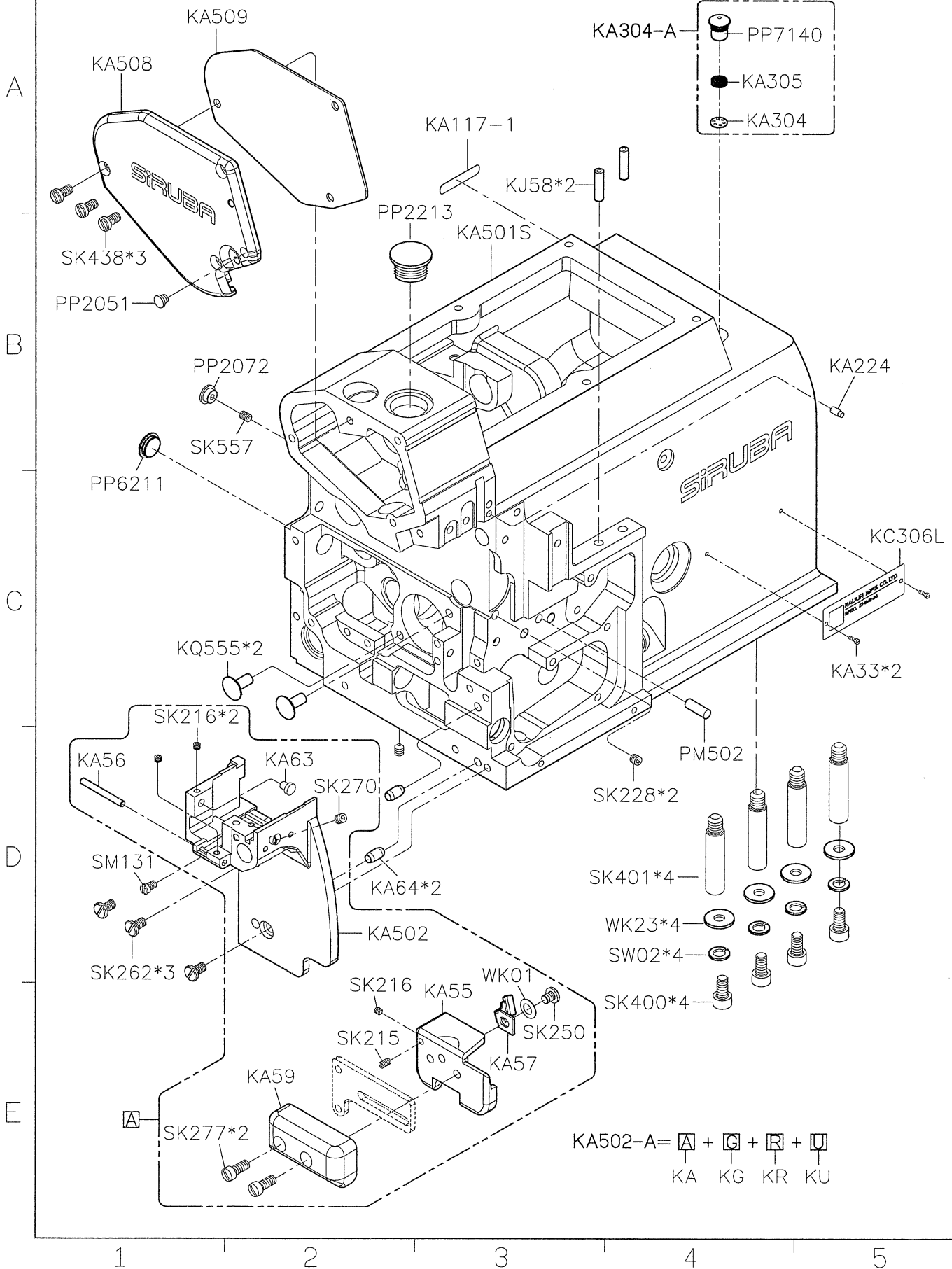
PARTS LIST

■ 700KS

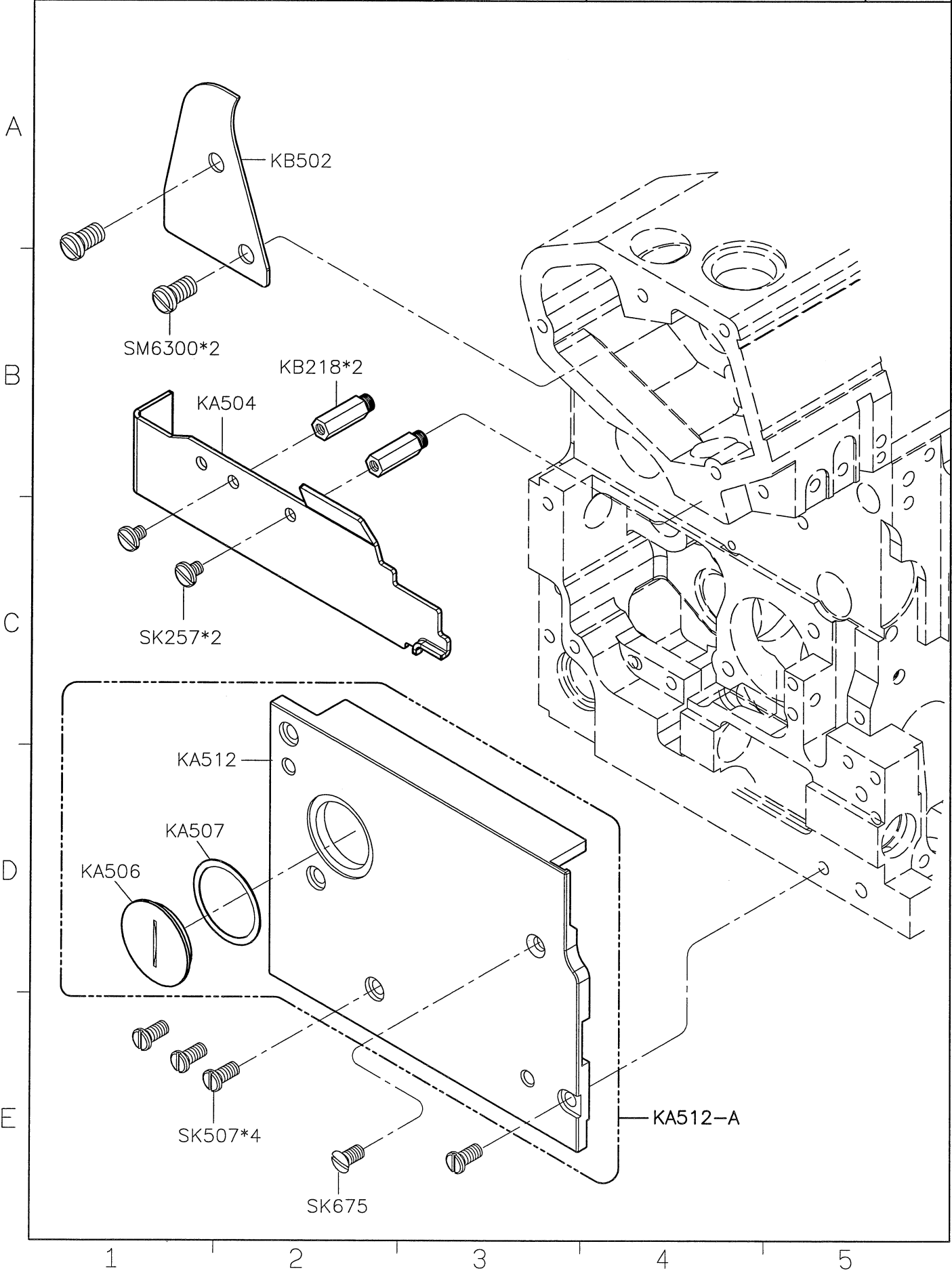


CE

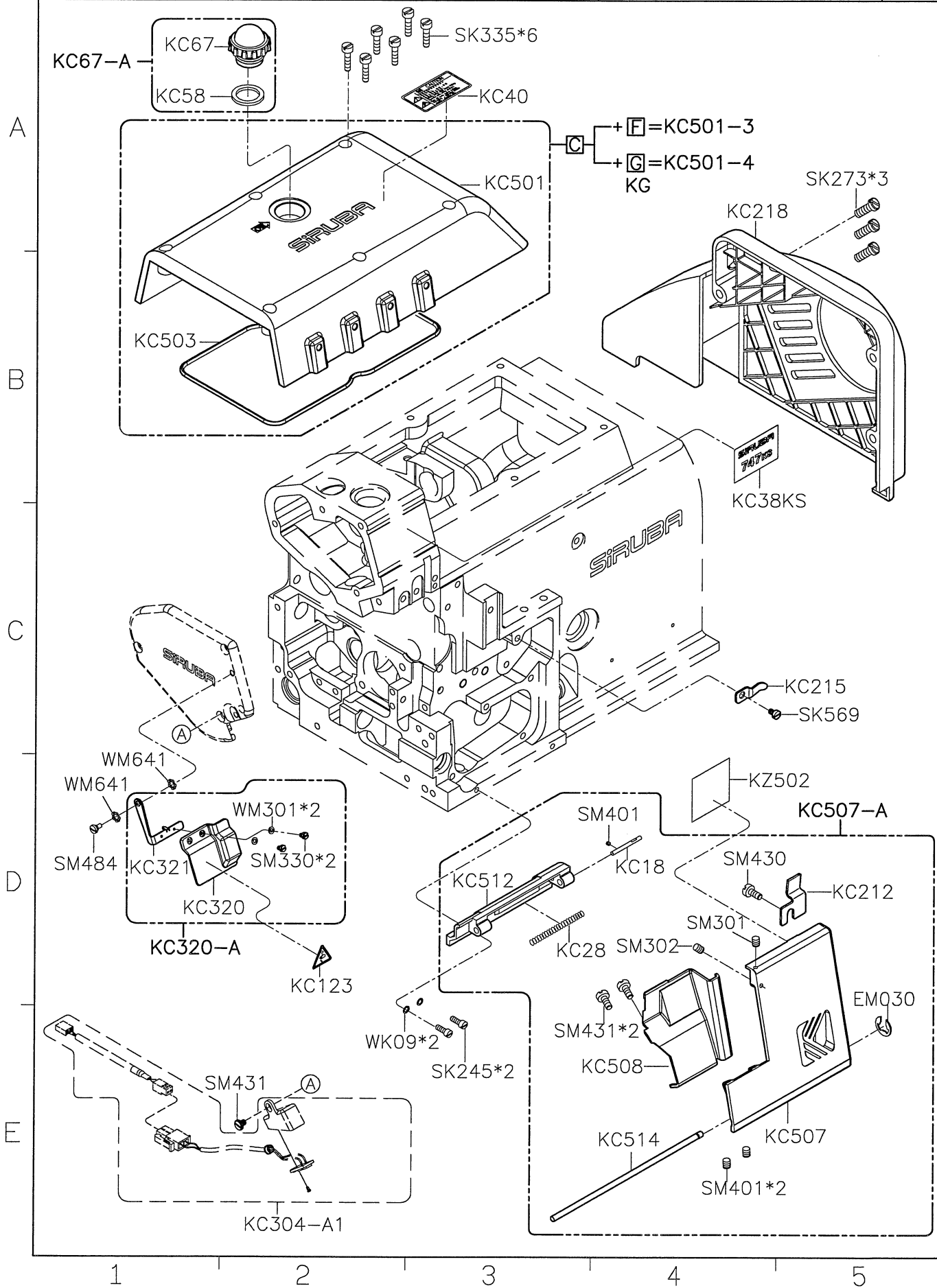




SIRUBA PARTS LIST	Series	Parts Group	Subclass / Remark	Page
	700KS	KB		1/1
				Date
				2016/07/01



SIRUBA PARTS LIST	Series	Parts Group	Subclass / Remark	Page
	700KS	KC		1/1
				Date
				2014/10/22



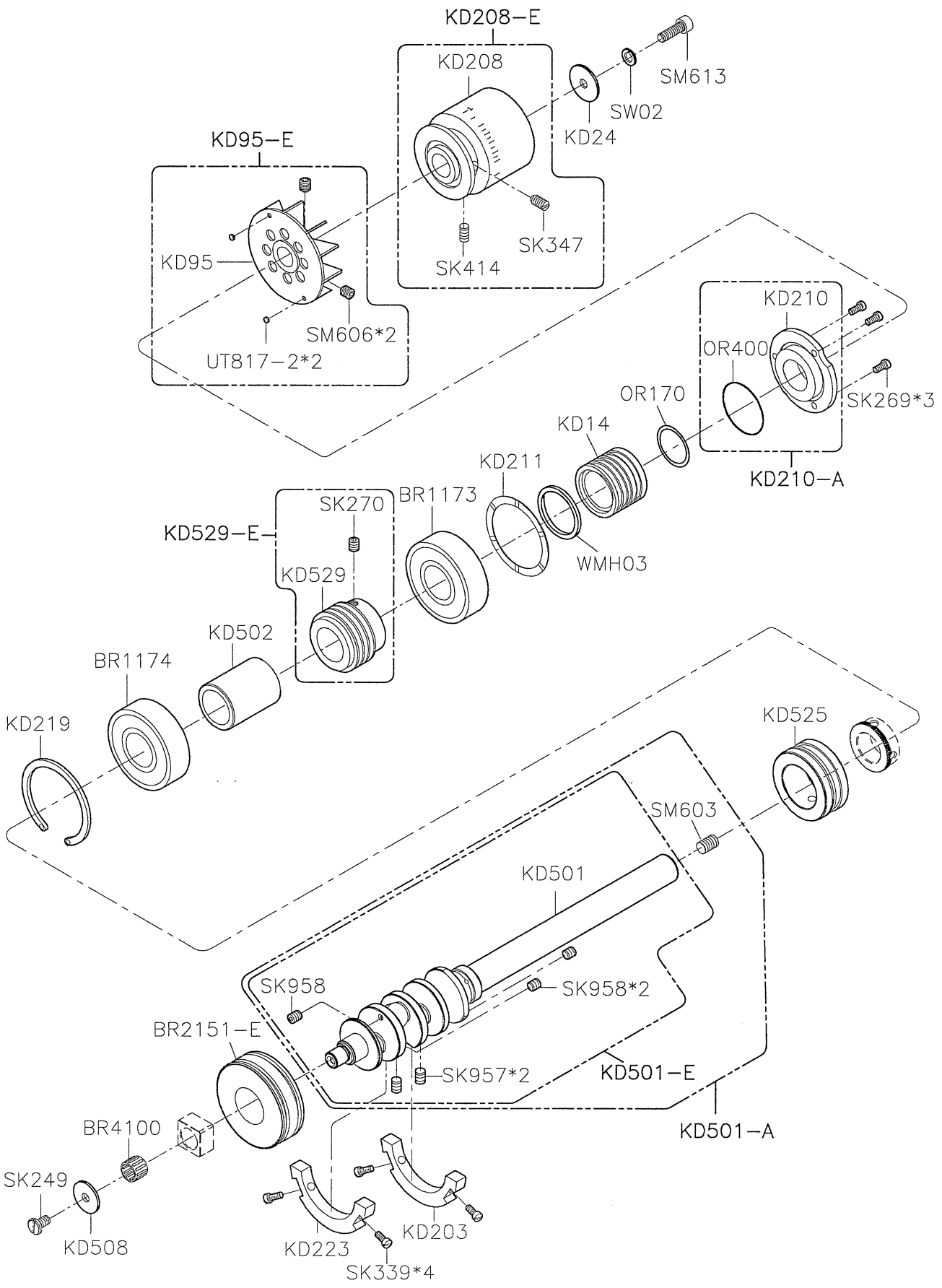
A

B

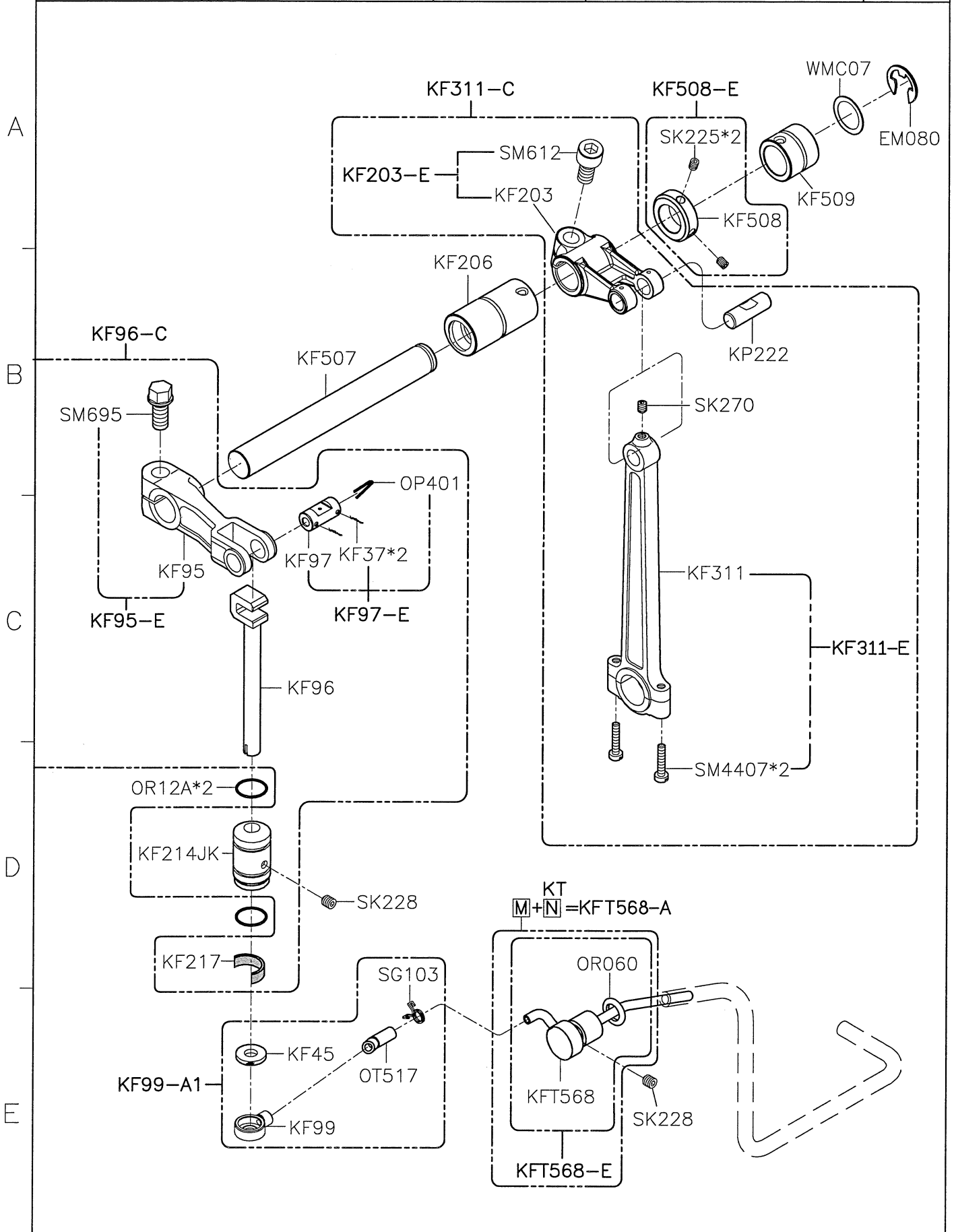
C

D

E



<b>SIRUBA</b> PARTS LIST	Series	Parts Group	Subclass / Remark	Page
	700KS	<b>KF</b>		1/1
				Date
				2014/05/20



1                      2                      3                      4                      5

**SIRUBA**

PARTS LIST

Series

700KS

Parts Group

KG

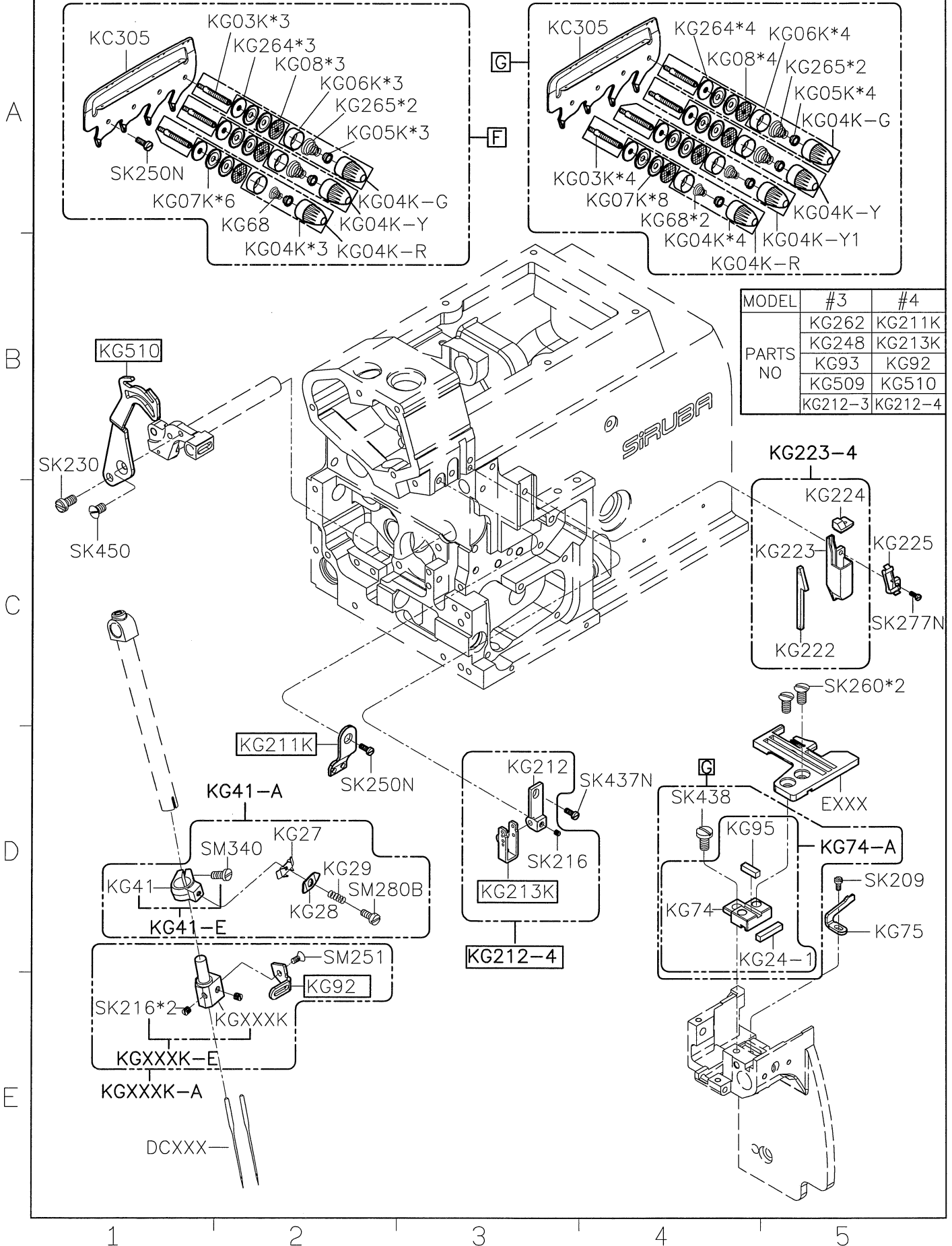
Subclass / Remark

Page

1/1

Date

2016/05/26



1

2

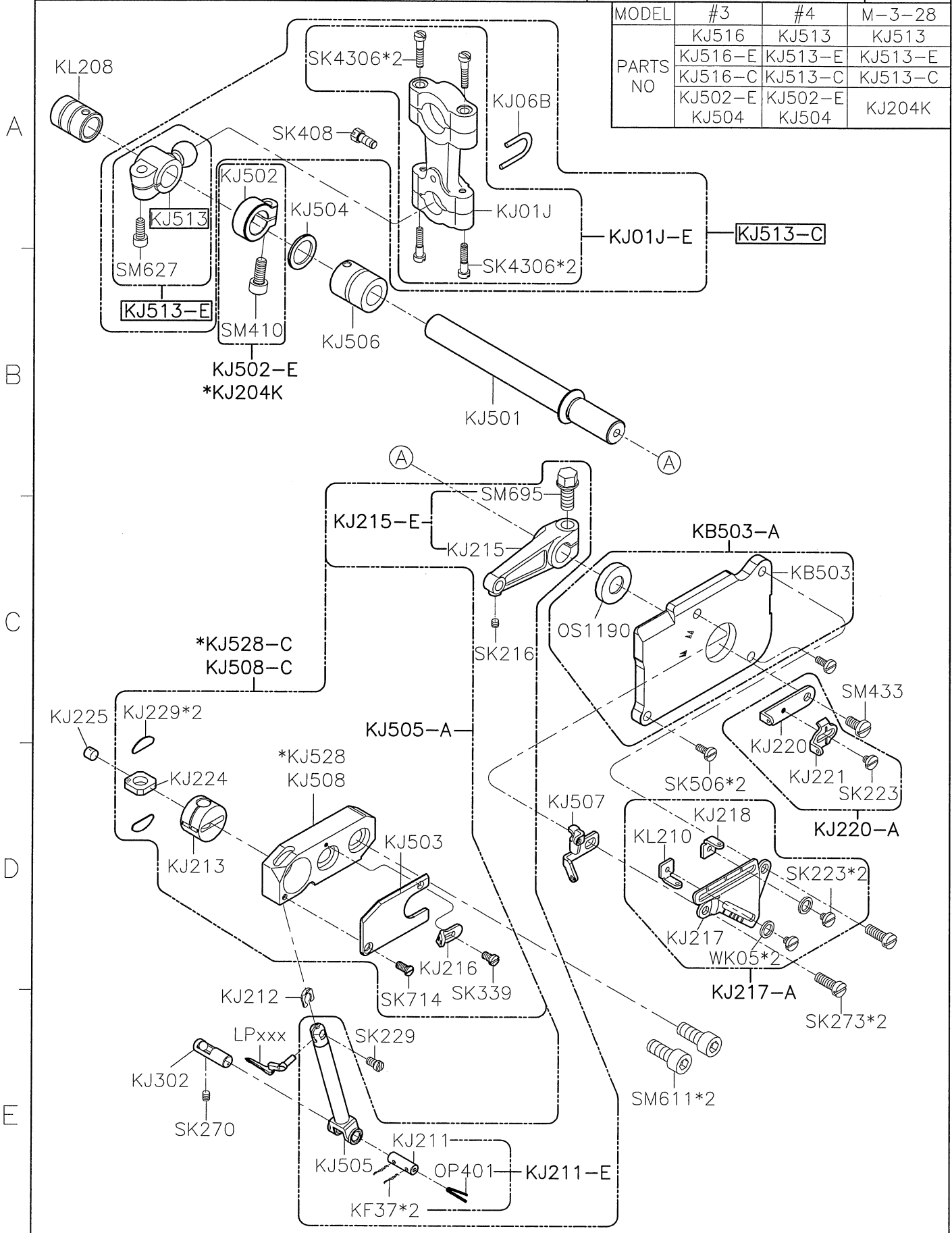
3

4

5



MODEL	#3	#4	M-3-28
PARTS NO	KJ516	KJ513	KJ513
	KJ516-E	KJ513-E	KJ513-E
	KJ516-C	KJ513-C	KJ513-C
	KJ502-E	KJ502-E	KJ204K
	KJ504	KJ504	



1

2

3

4

5

**SIRUBA**

PARTS LIST

Series

700KS

Parts Group

**KL**

Subclass / Remark

Page

1/1

Date

2016/10/17

MODEL	#3	#4	514M-3-28
PARTS NO	KL502A	KL502	KL502A
	KL514	KL514	KL514A
	KL514-A1	KL514-A	KL514-A2

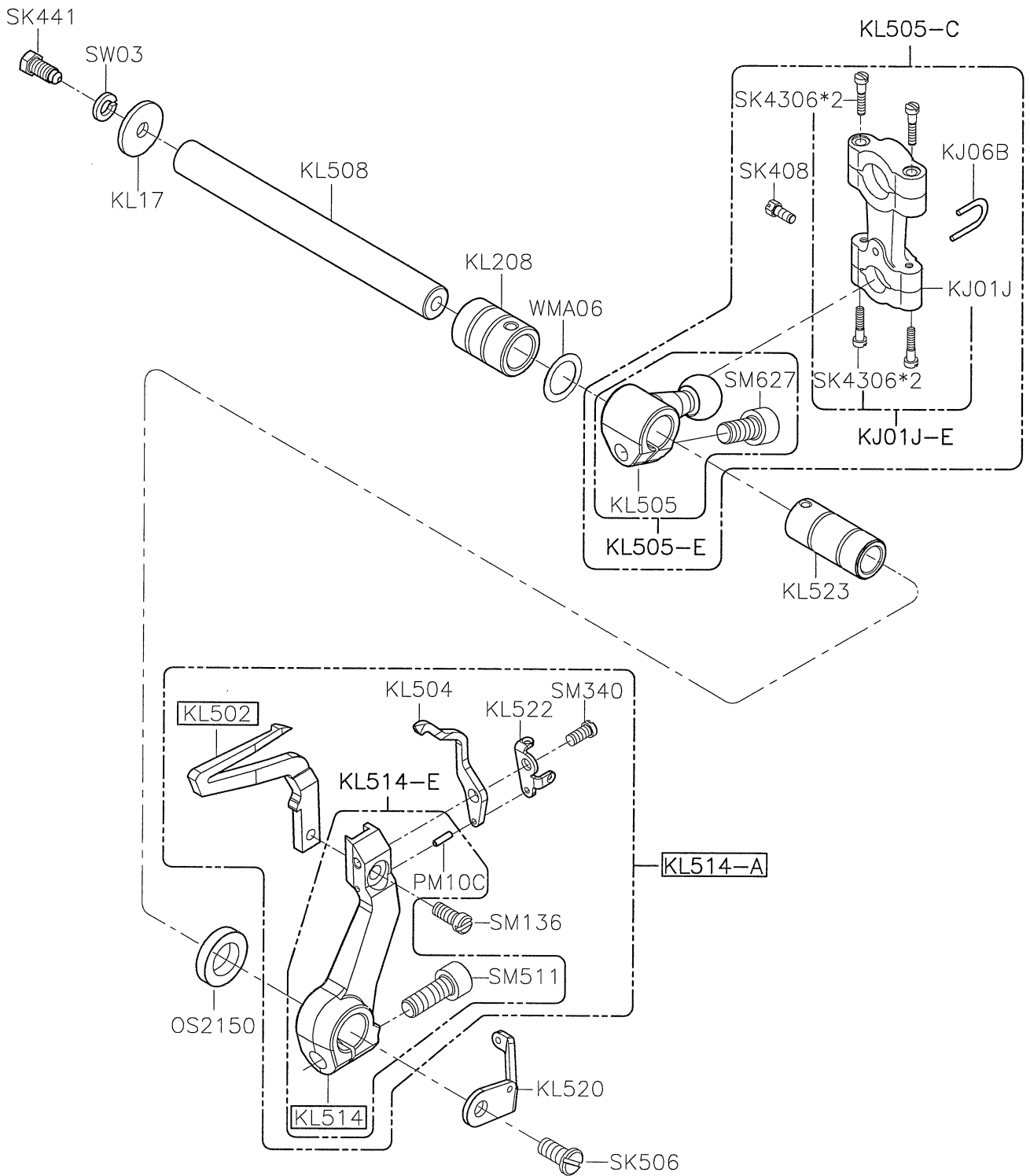
A

B

C

D

E



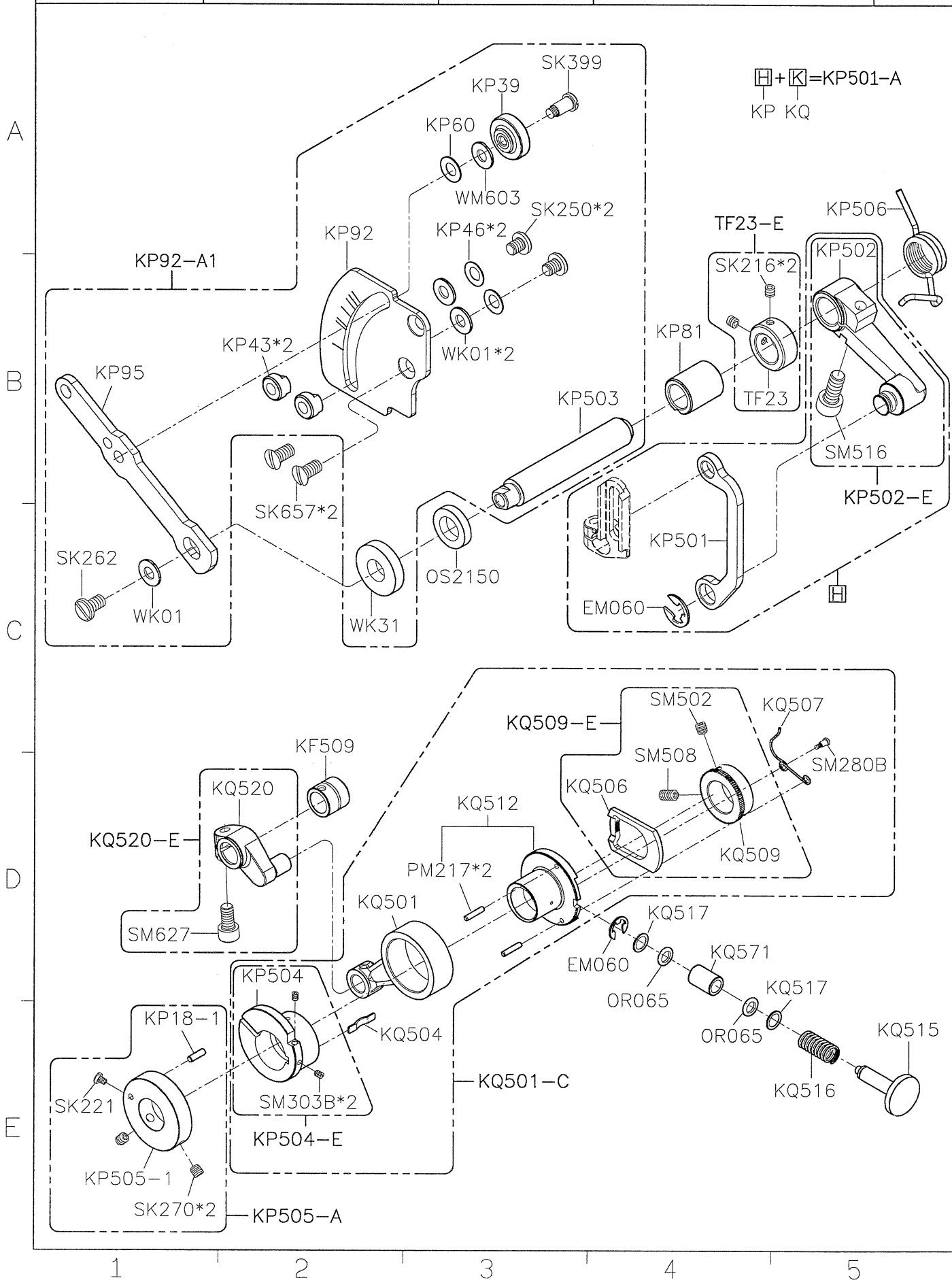
1

2

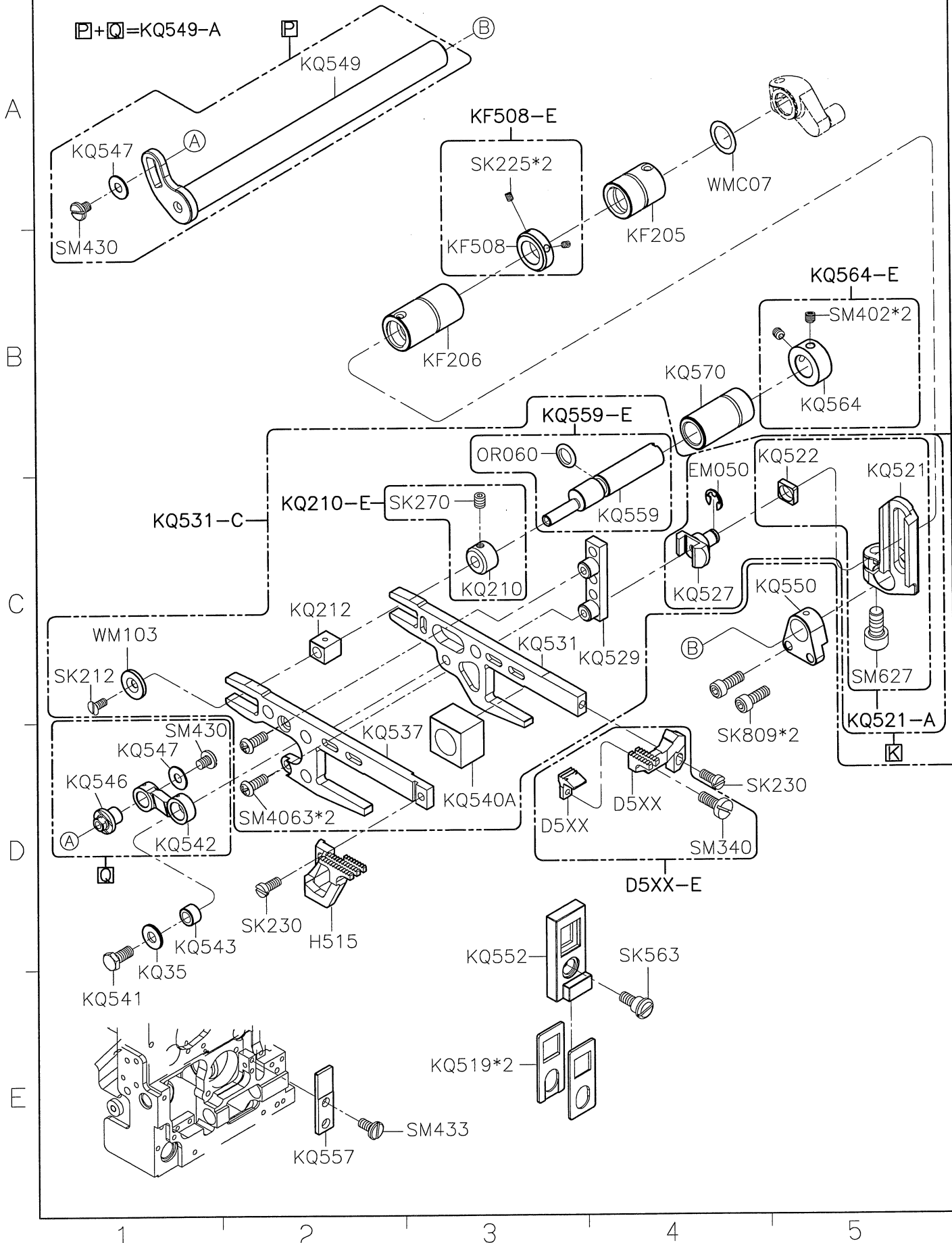
3

4

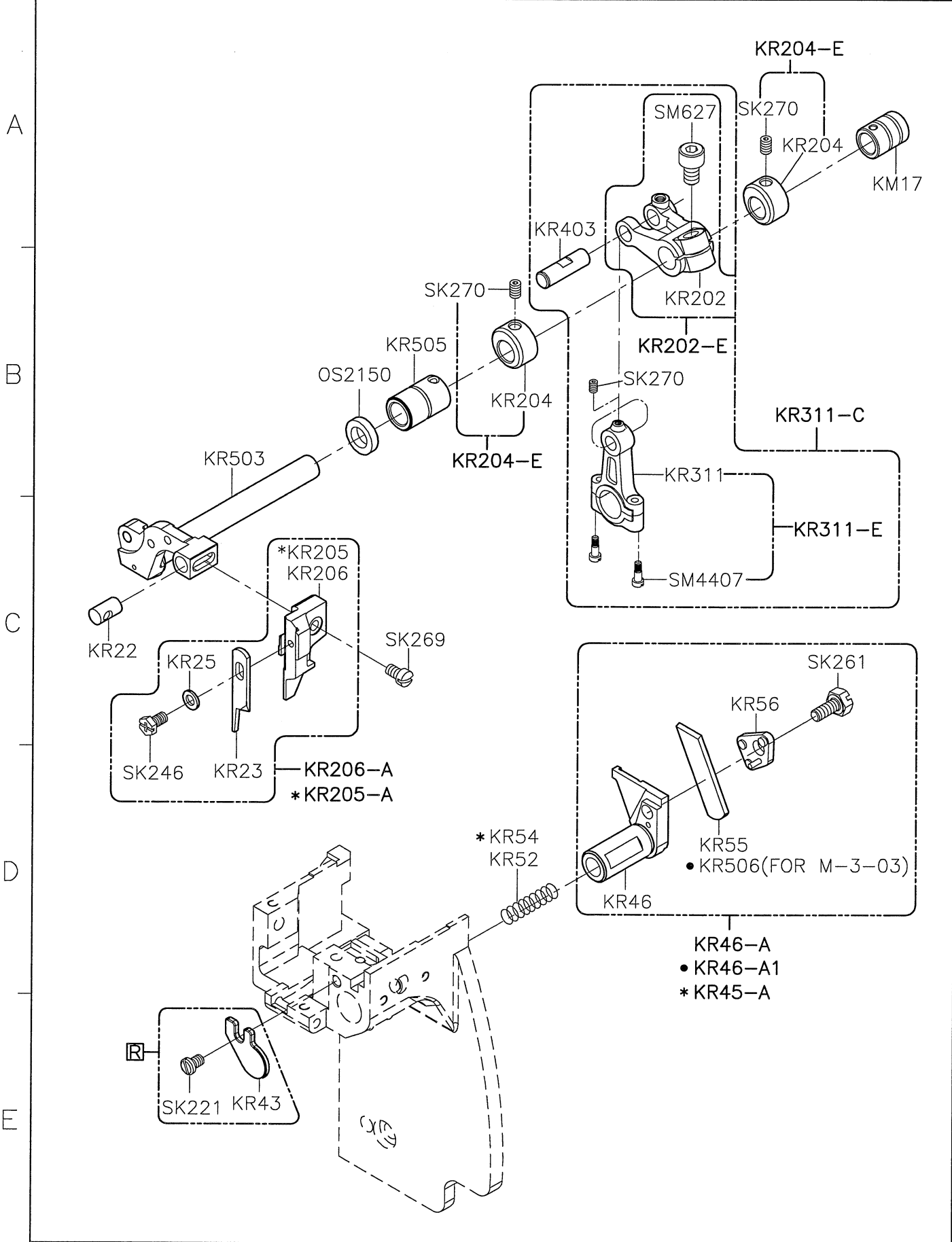
5



SIRUBA PARTS LIST	Series	Parts Group	Subclass / Remark	Page
	700KS	KQ		1/1
				Date
				2016/08/05



SIRUBA PARTS LIST	Series	Parts Group	Subclass / Remark	Page
	700KS	KR	*Use For 514-M-3-28 • Use For 504-M-3-03	1/1
				Date
				2014/07/11



1                      2                      3                      4                      5

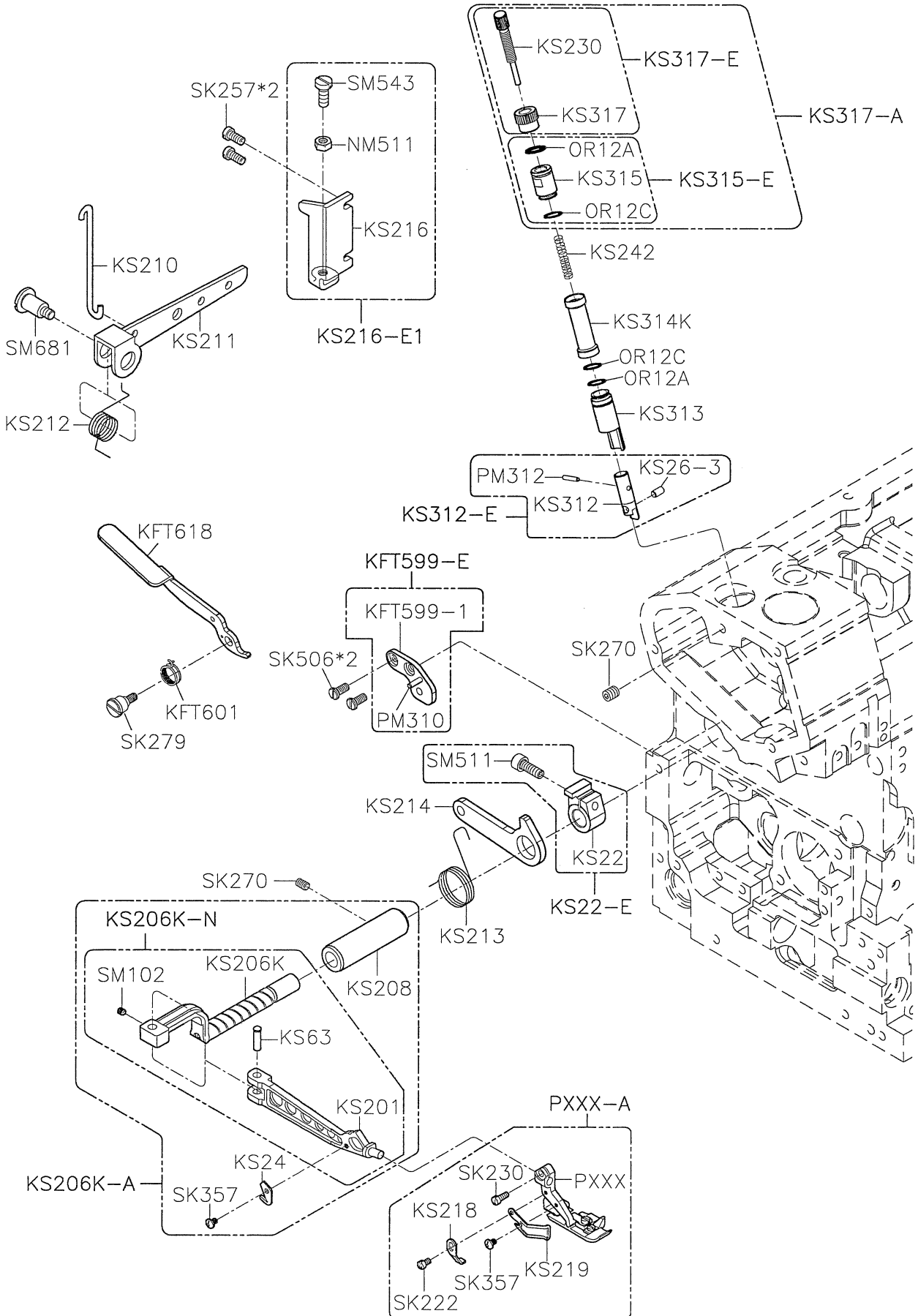
A

B

C

D

E



1

2

3

4

5

**SIRUBA**

PARTS LIST

Series

700KS

Parts Group

**KT**

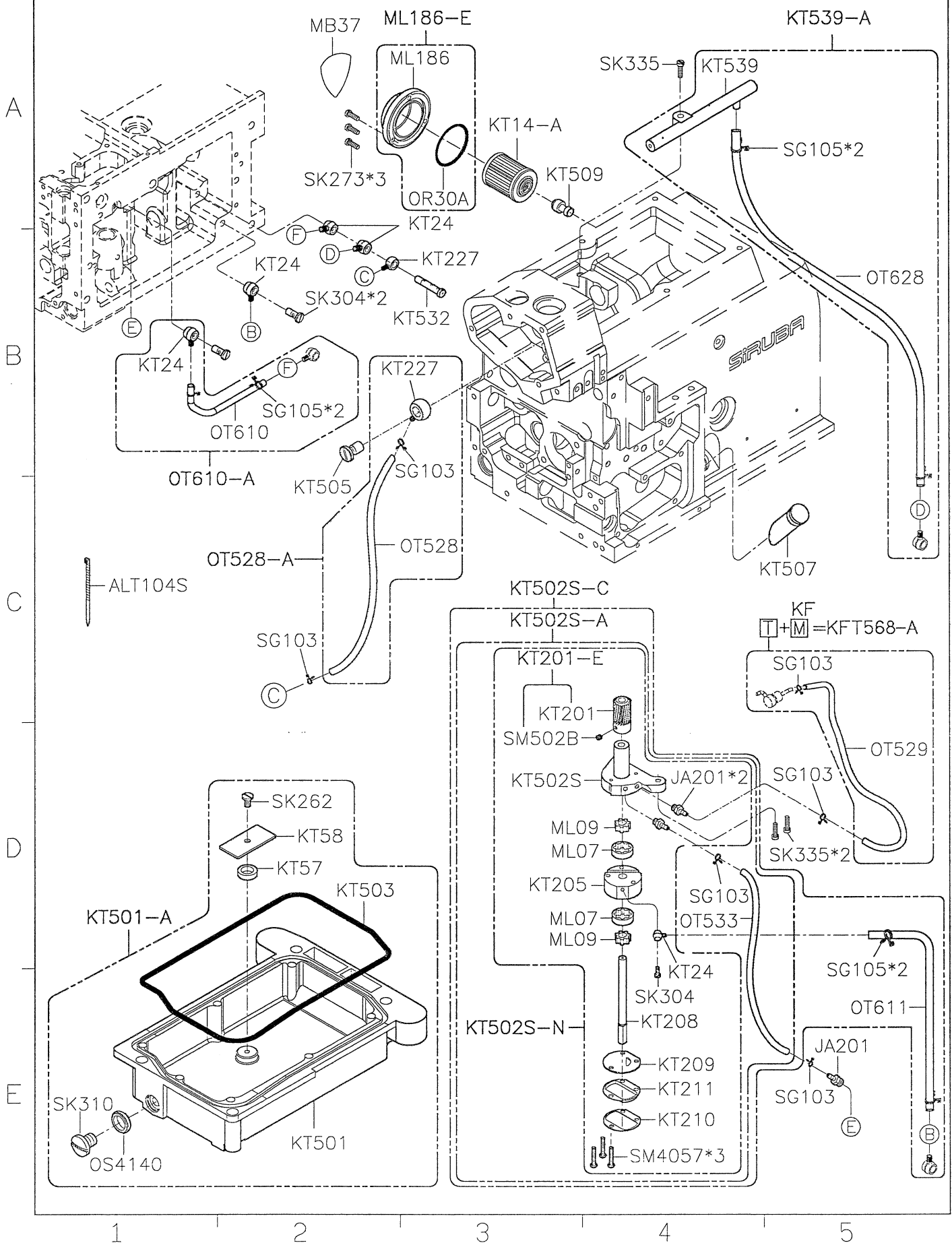
Subclass / Remark

Page

1/1

Date

2017/4/19



<b>SIRUBA</b> PARTS LIST	Series	Parts Group	Subclass / Remark	Page
	700KS	KU		1/1
				Date
				2014/03/03

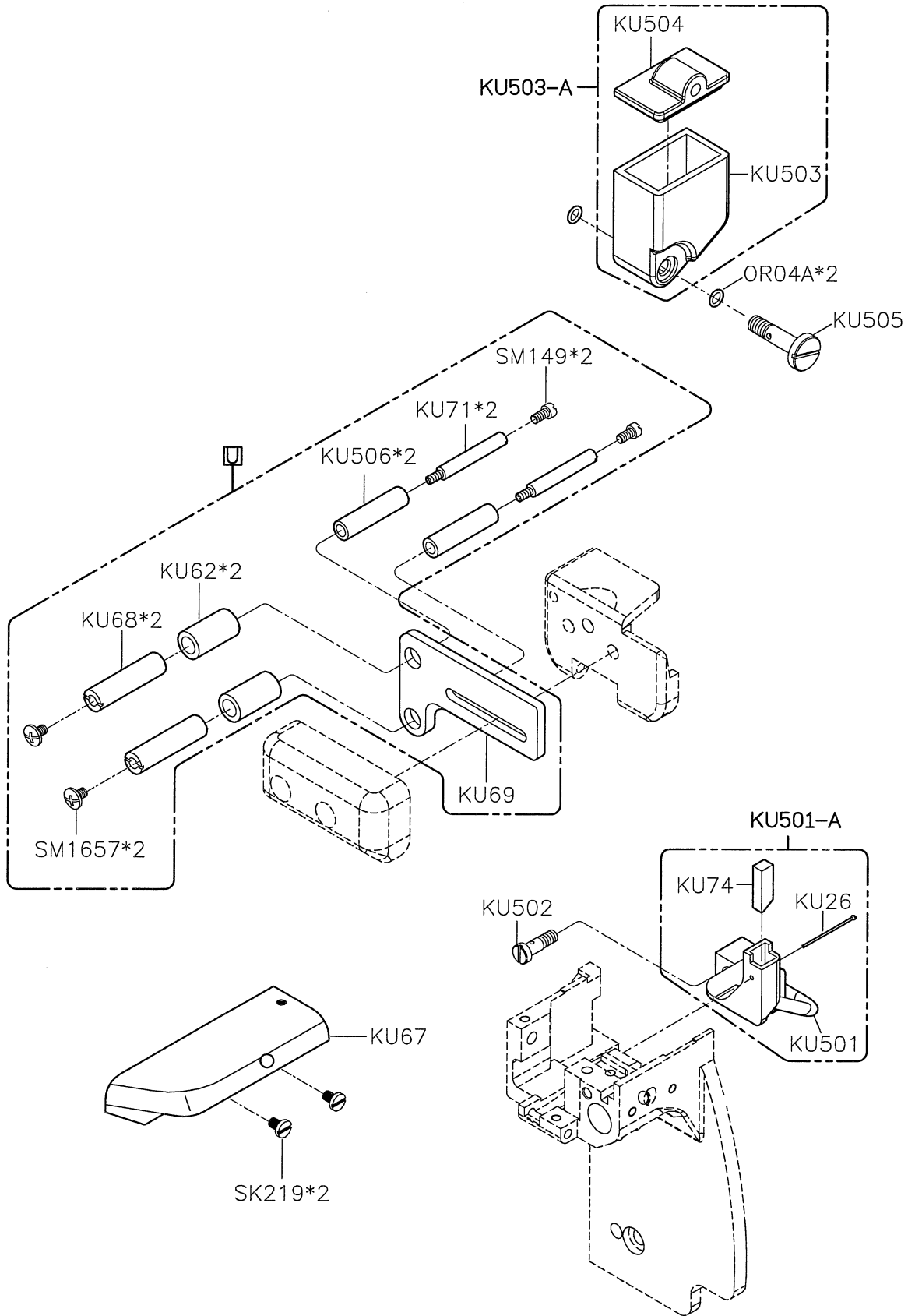
A

B

C

D

E



1

2

3

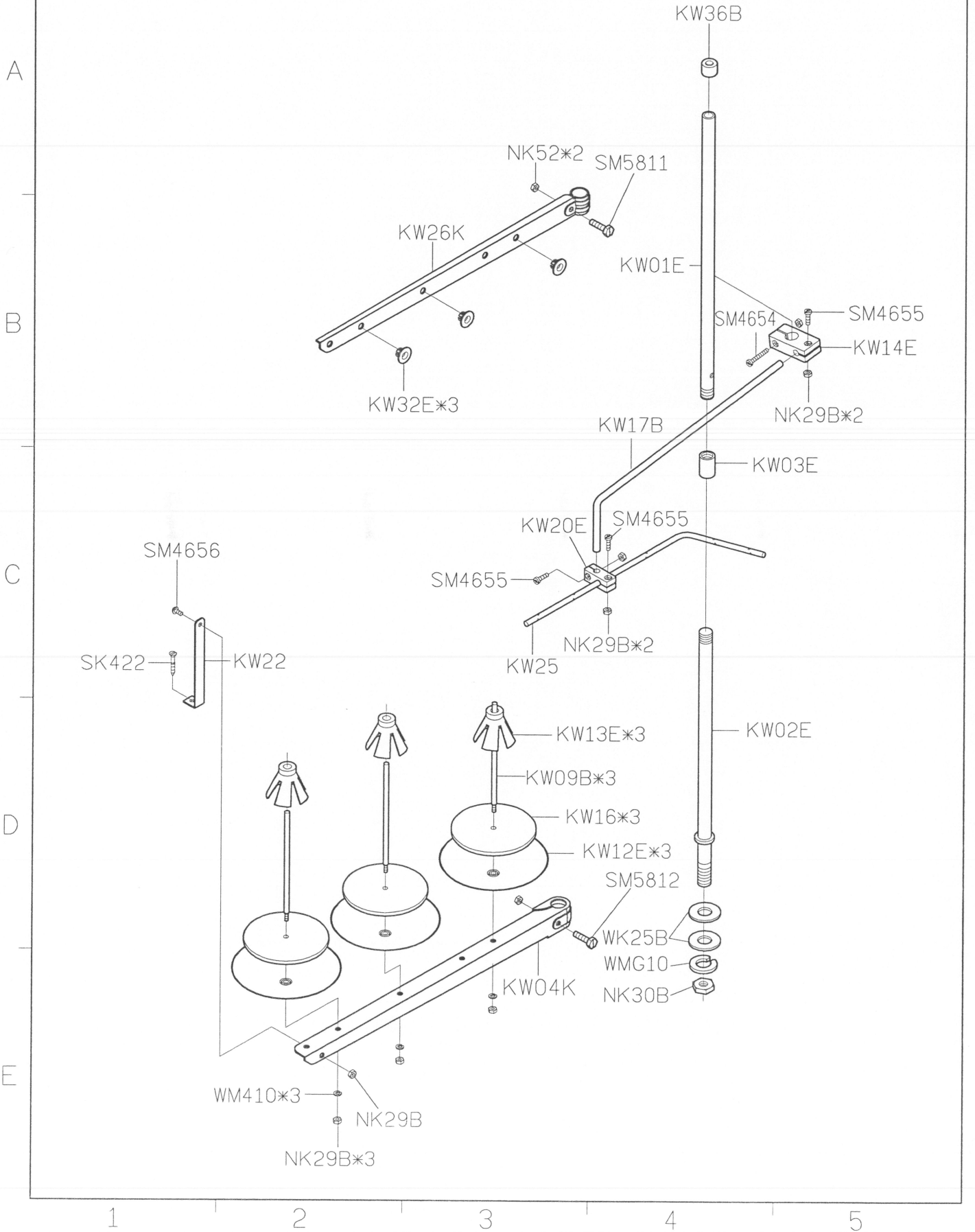
4

5



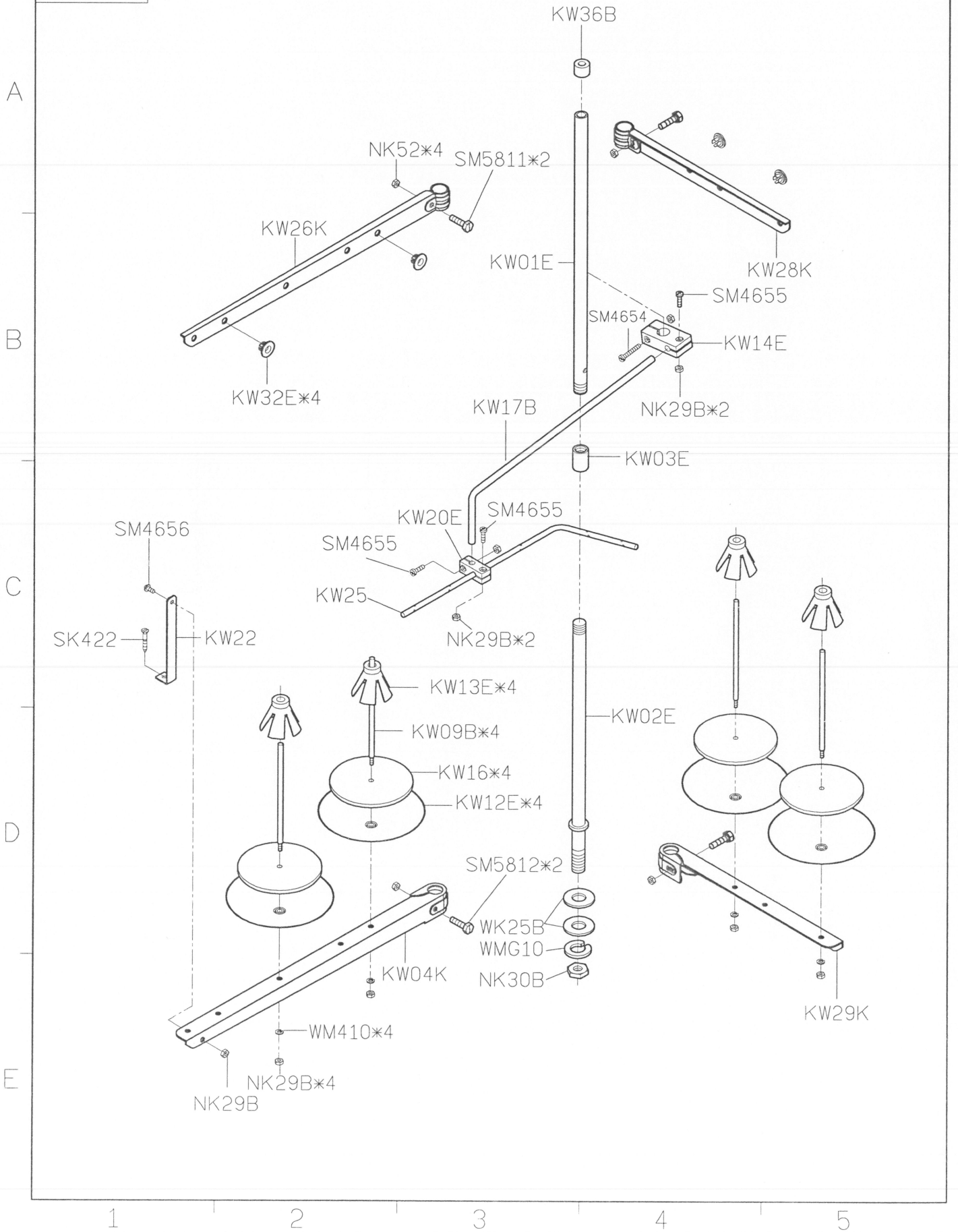
<b>SIRUBA</b> PARTS LIST	Series	Parts Group	Subclass / Remark	Page
	拷克	<b>KW</b>		1/4
	Overlock			Date
	含MO6800系列			2017/2/20

KW40E-3



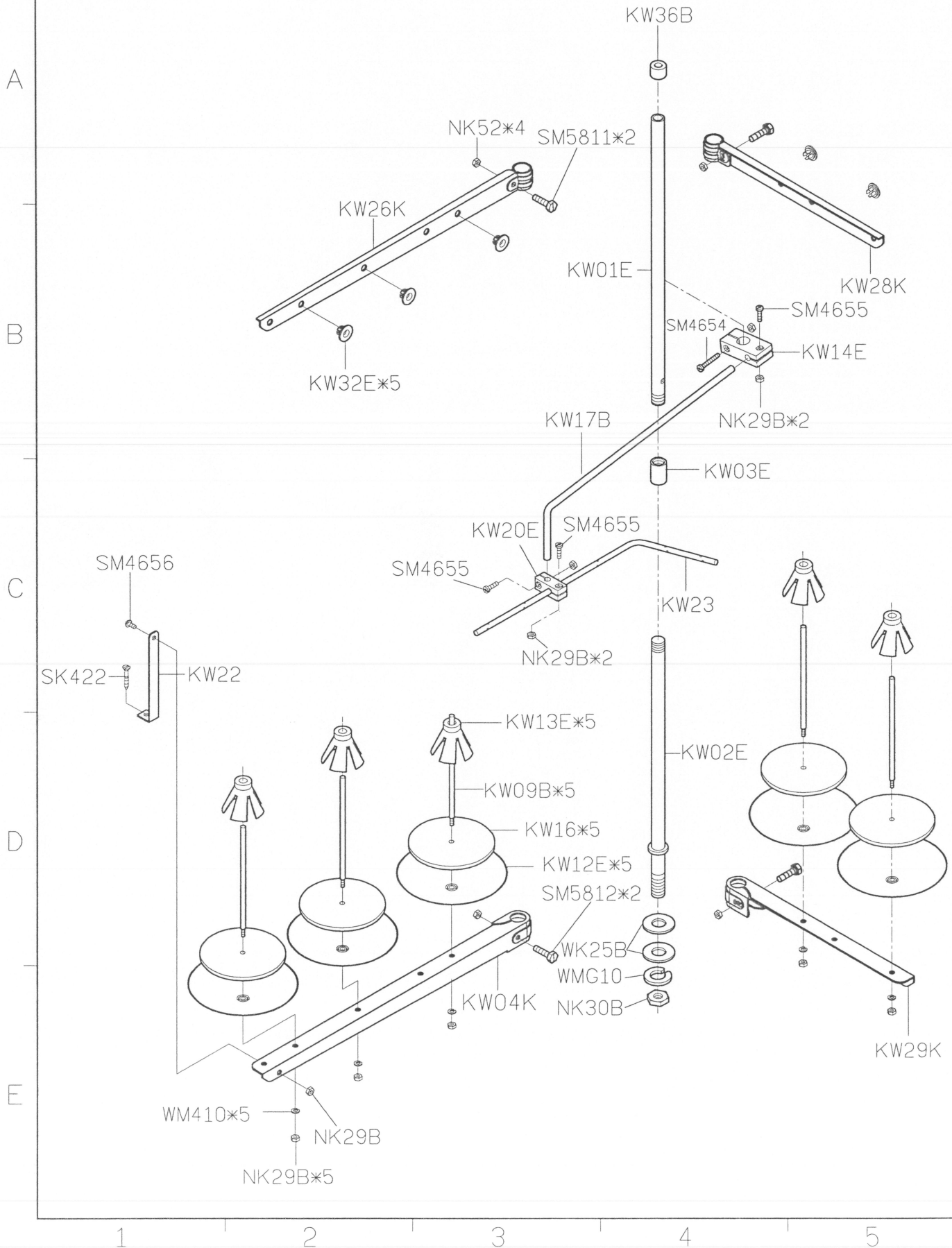
SIRUBA PARTS LIST	Series	Parts Group	Subclass / Remark	Page
	拷克	KW		2/4
	Overlock			Date
	含MO6800系列			2017/2/20

KW40E-4



<b>SIRUBA</b>  PARTS LIST	Series	Parts Group	Subclass / Remark	Page
	拷克	<b>KW</b>		3/4
	Overlock			Date
	含MO6800系列			2017/2/20

KW40E-5



SIRUBA PARTS LIST	Series	Parts Group	Subclass / Remark	Page
	拷克	KW		4/4
	Overlock			Date
	含MO6800系列			2017/2/20

KW40E-6

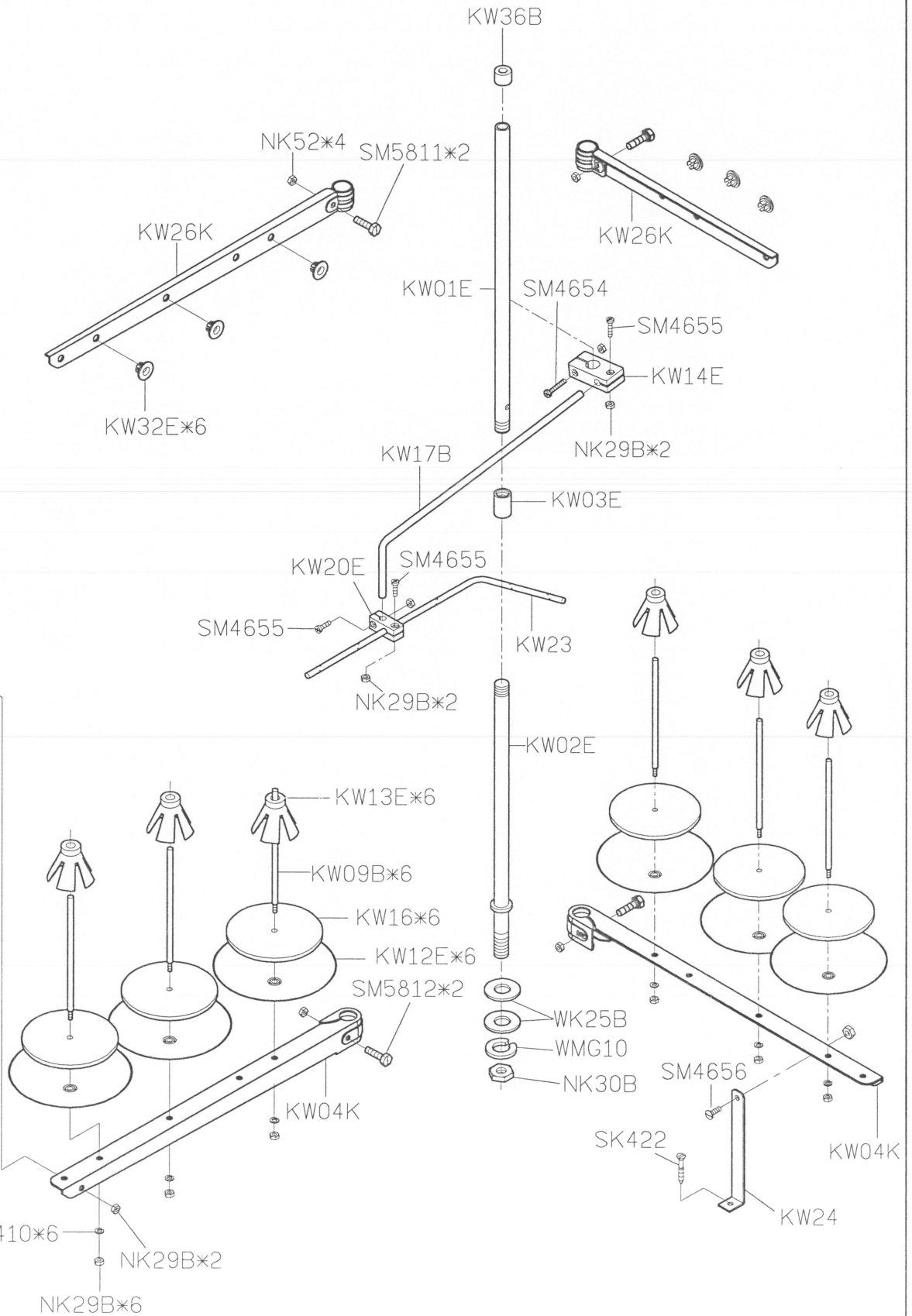
A

B

C

D

E



1

2

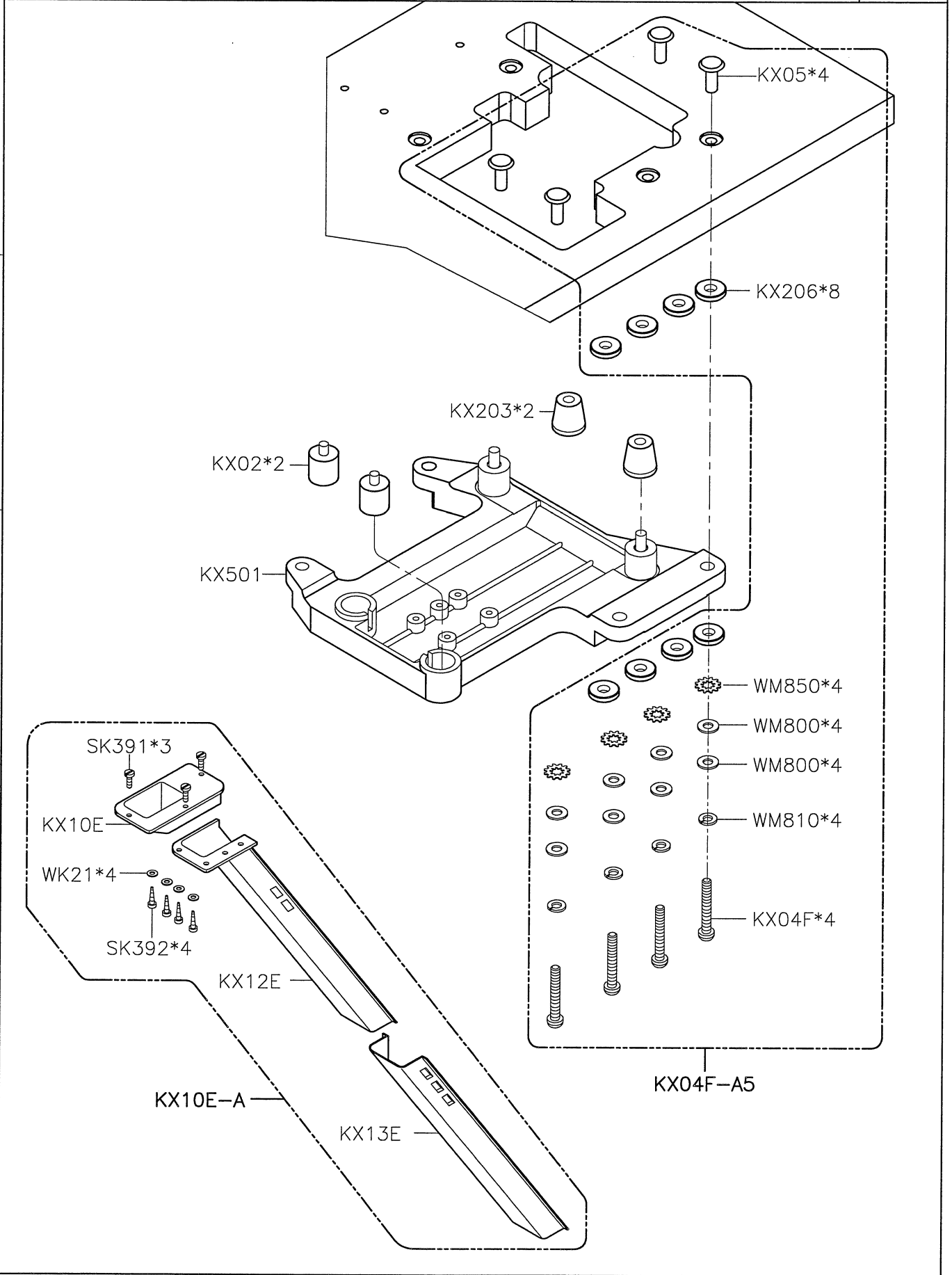
3

4

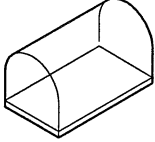



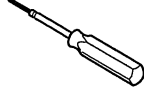
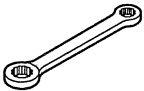
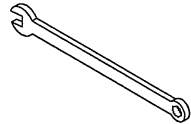
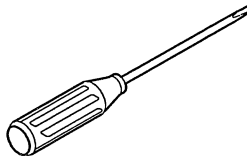


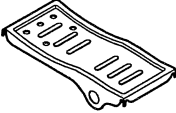
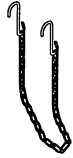

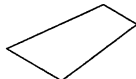
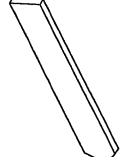



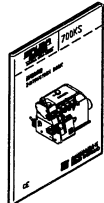


5

<b>SIRUBA</b> PARTS LIST	Series	Parts Group	Subclass / Remark	Page
	700KS	<b>KX</b>		1/1
				Date
				2014/03/05

A  
B  
C  
D  
E



1 2 3 4 5

PARTS LIST	Series		Parts Group		Subclass / Remark		Page
	700KS		KY				1/1
							Date
							2014/03/03
KY01-1 防塵罩	KY02F-A 油罐	KY03 油壺	KY04 漏斗	KY14 內六角螺絲起子			
							
KY23-A KY23 內六角扳手      KY09 開口扳手		LY33 一字起子	KY18 鑷子	SK216 螺絲			
							
KY20D-A 腳踏板	KY21-A/MY21-A 鉤子/鍊條	KY201 工具袋	KY30 針板紙	KR55 下刀片			
							
KT14-A 濾油器	KZ03 乾燥劑	針*5 車針	KZ508S 使用說明書	LY35 一字起子			
							
KY05-A 油壺							
							

1

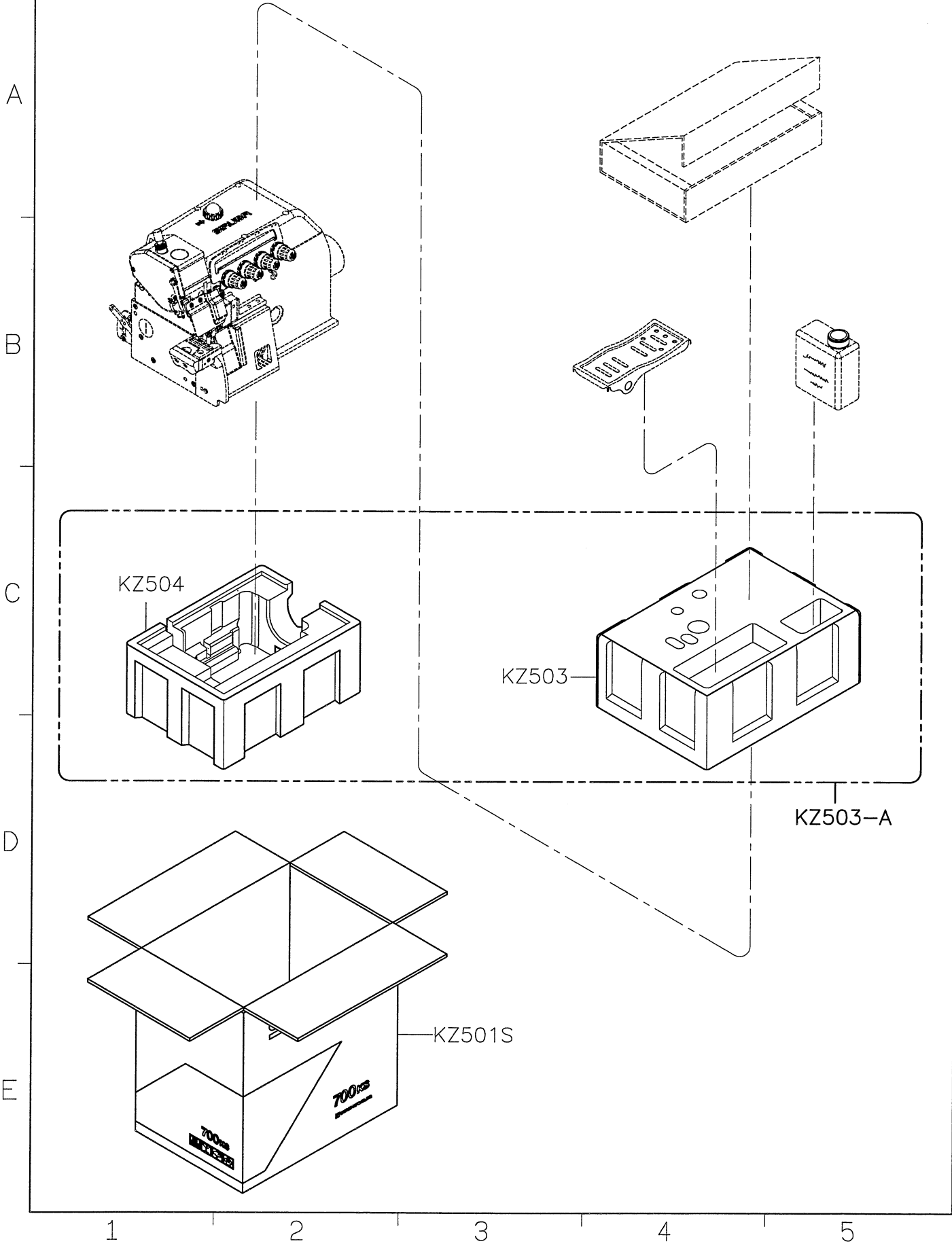
2

3

4

5

<b>SIRUBA</b> PARTS LIST	Series	Parts Group	Subclass / Remark	Page
	700KS	<b>KZ</b>		1/1
				Date
				2014/03/03



**SIRUBA**

TABLE  
CUT - OUT

Series

700KS/T

Item Code

700KS-T

Subclass Remark

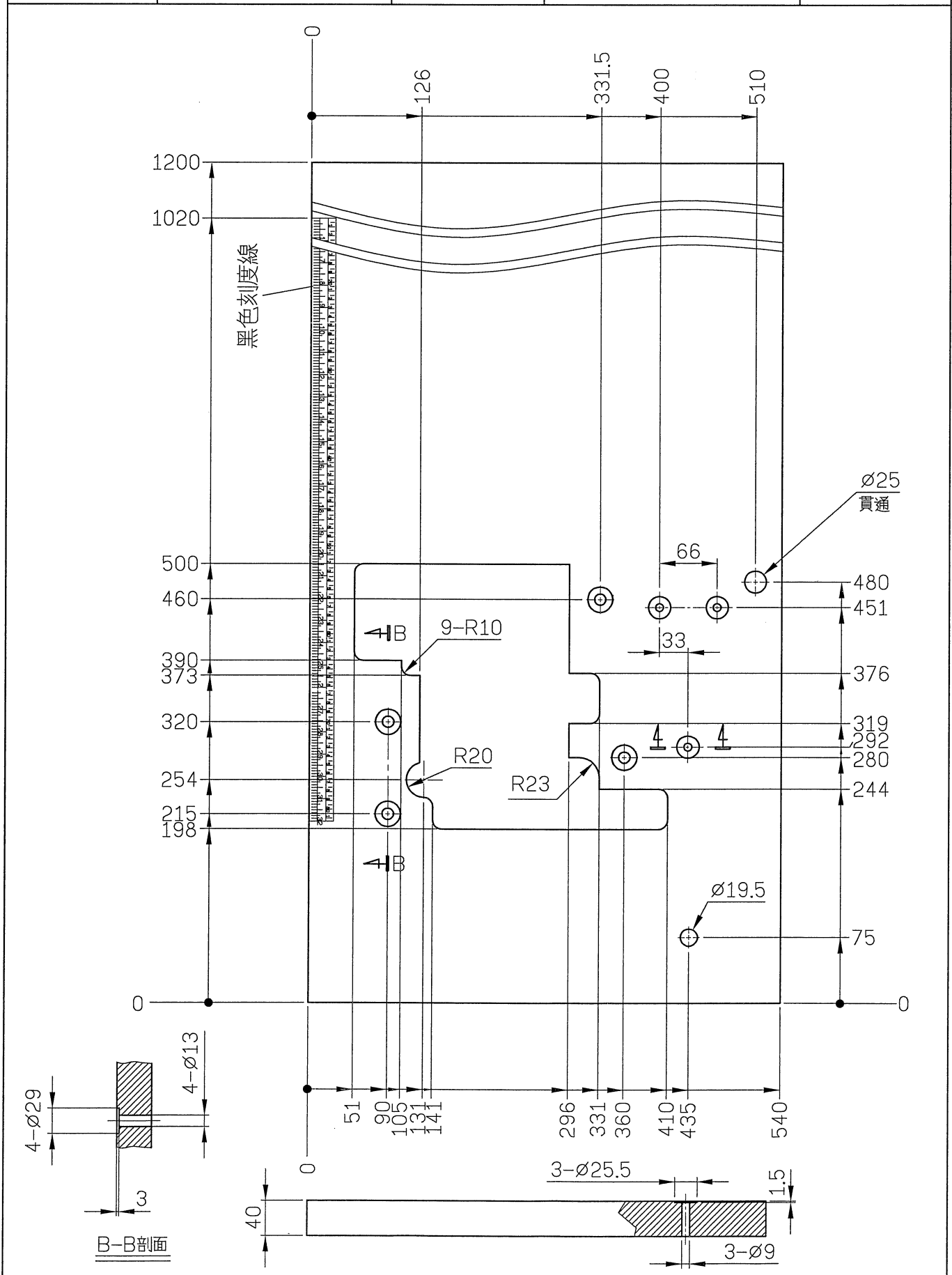
UNIT: mm  
TOLERANCE:  $\pm 2$   
WEIGHT: 11.6 kg  $\pm 5\%$

Mounting

Semi-submerged

Date

2014/06/18





**SIRUBA**TABLE  
CUT - OUT

Series

700KS/T

Item Code

700KS-T1

Subclass Remark

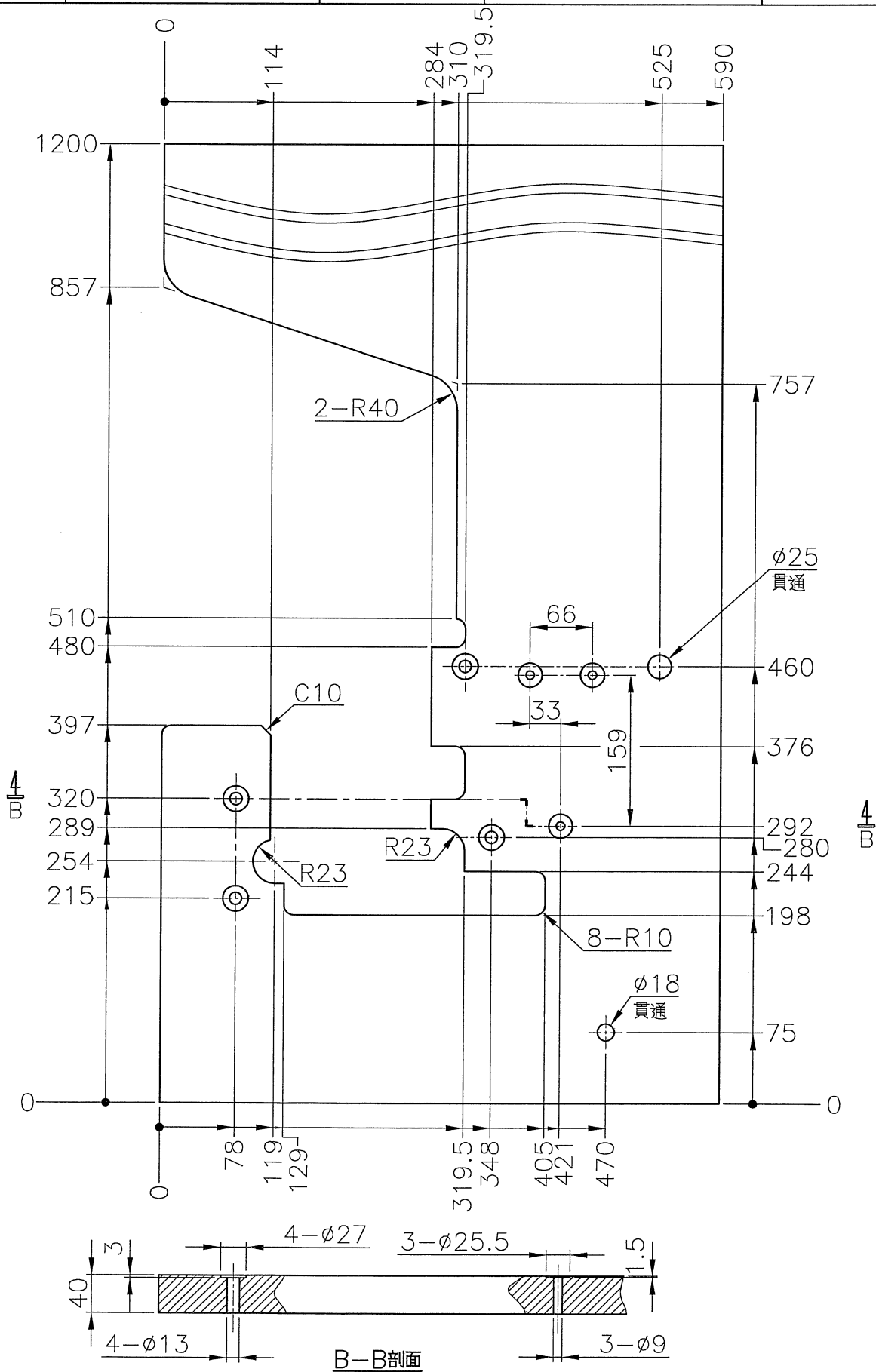
UNIT: mm  
TOLERANCE:  $\pm 2$   
WEIGHT: 11.6 kg  $\pm 5\%$ 

Mounting

Semi-submerged

Date

2013/09/30



**SIRUBA**

TABLE  
CUT - OUT

Series

700KS/T

Item Code

700KS-T2

Subclass Remark

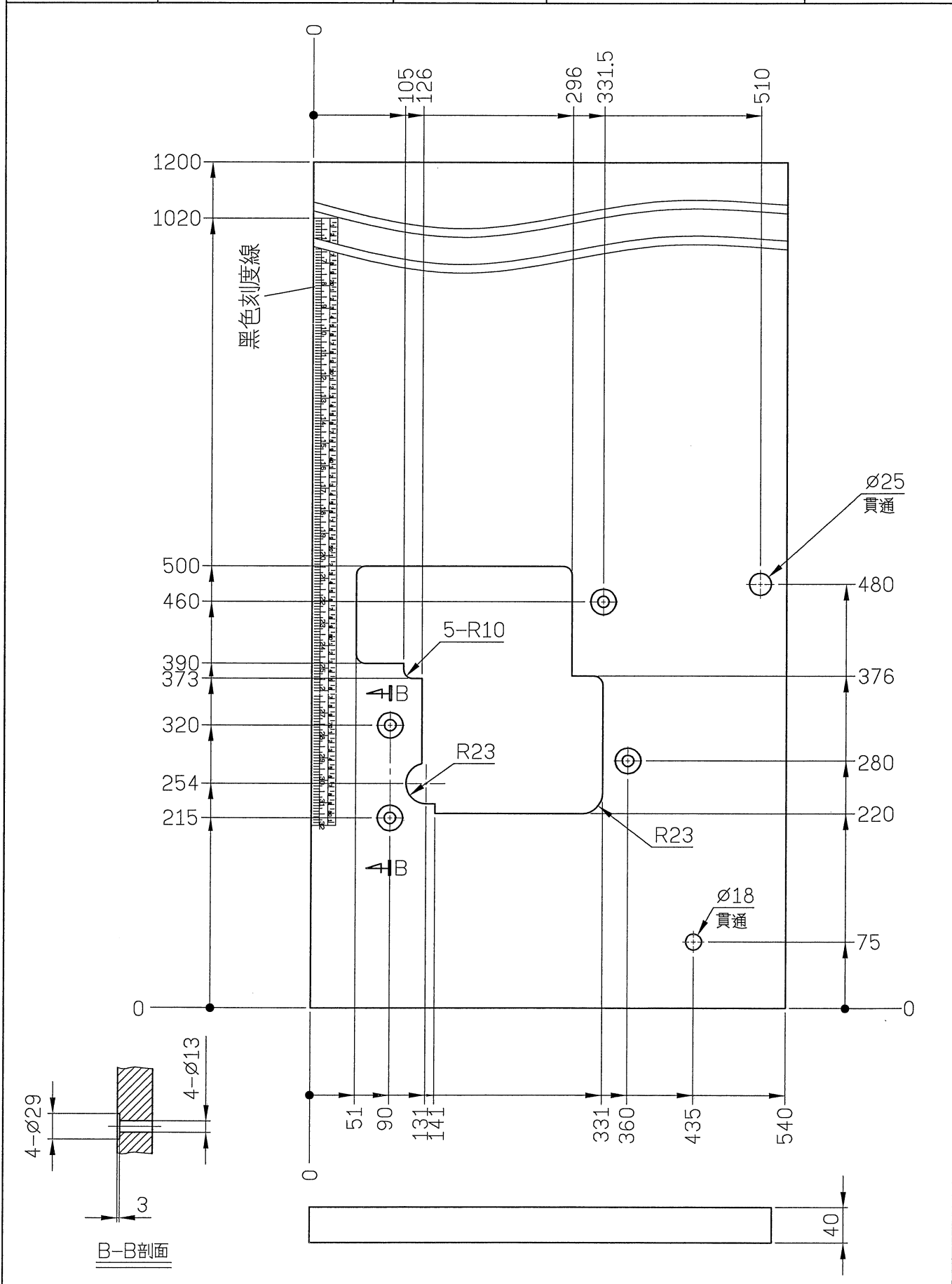
UNIT: mm  
TOLERANCE:  $\pm 2$   
WEIGHT: 11.6 kg  $\pm 5\%$

Mounting

Semi-submerged  
installation

Date

2014/06/18



**SIRUBA**TABLE  
CUT - OUT

Series

700KS/T

Item Code

700KS-T3

Subclass Remark

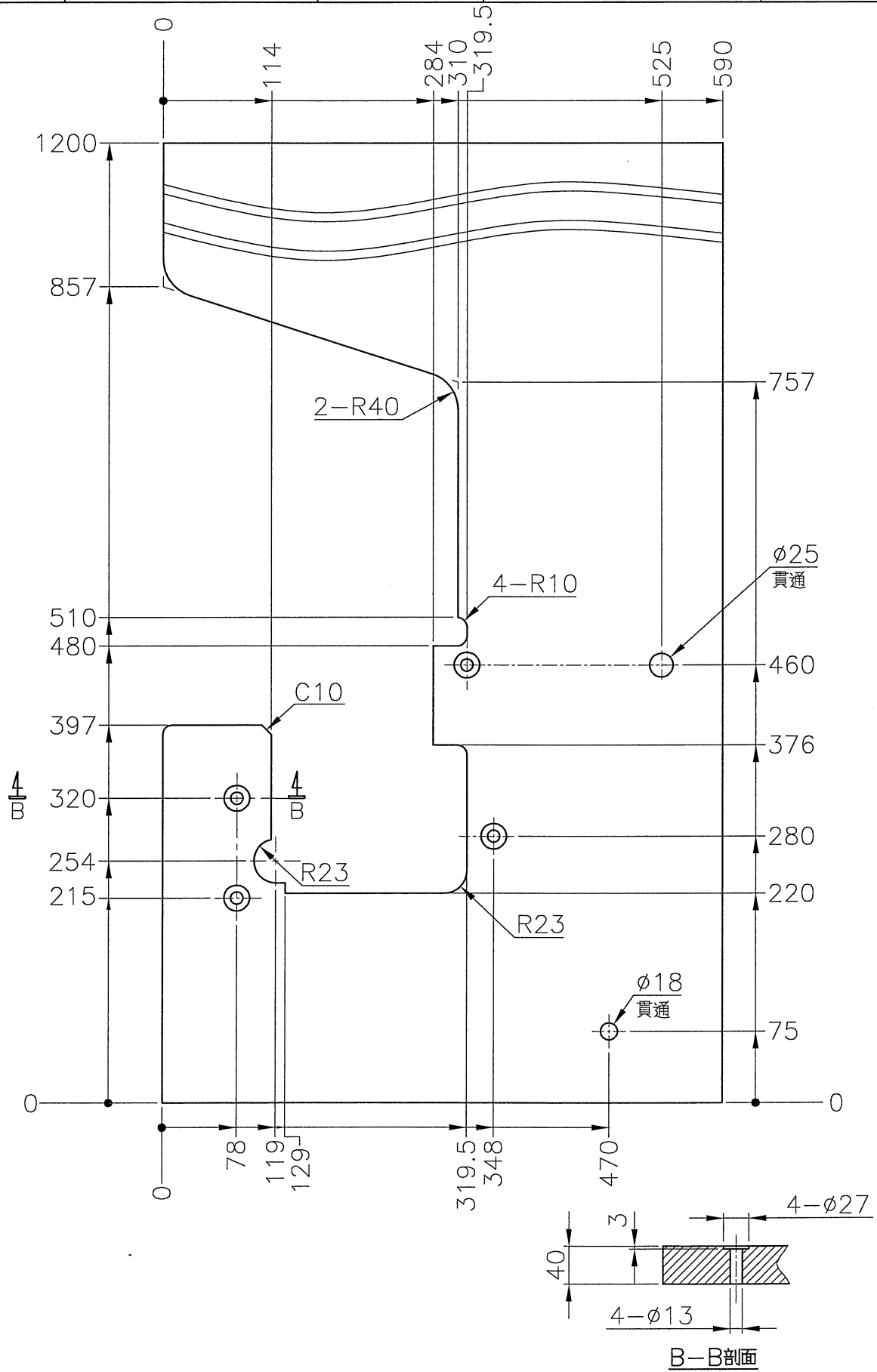
UNIT: mm  
TOLERANCE:  $\pm 2$   
WEIGHT: 11.6 kg  $\pm 5\%$ 

Mounting

Semi-submerged  
installation

Date

2014/06/05



**SIRUBA**

TABLE  
CUT - OUT

Series

700KS/T

Item Code

700KS-T4

Subclass Remark

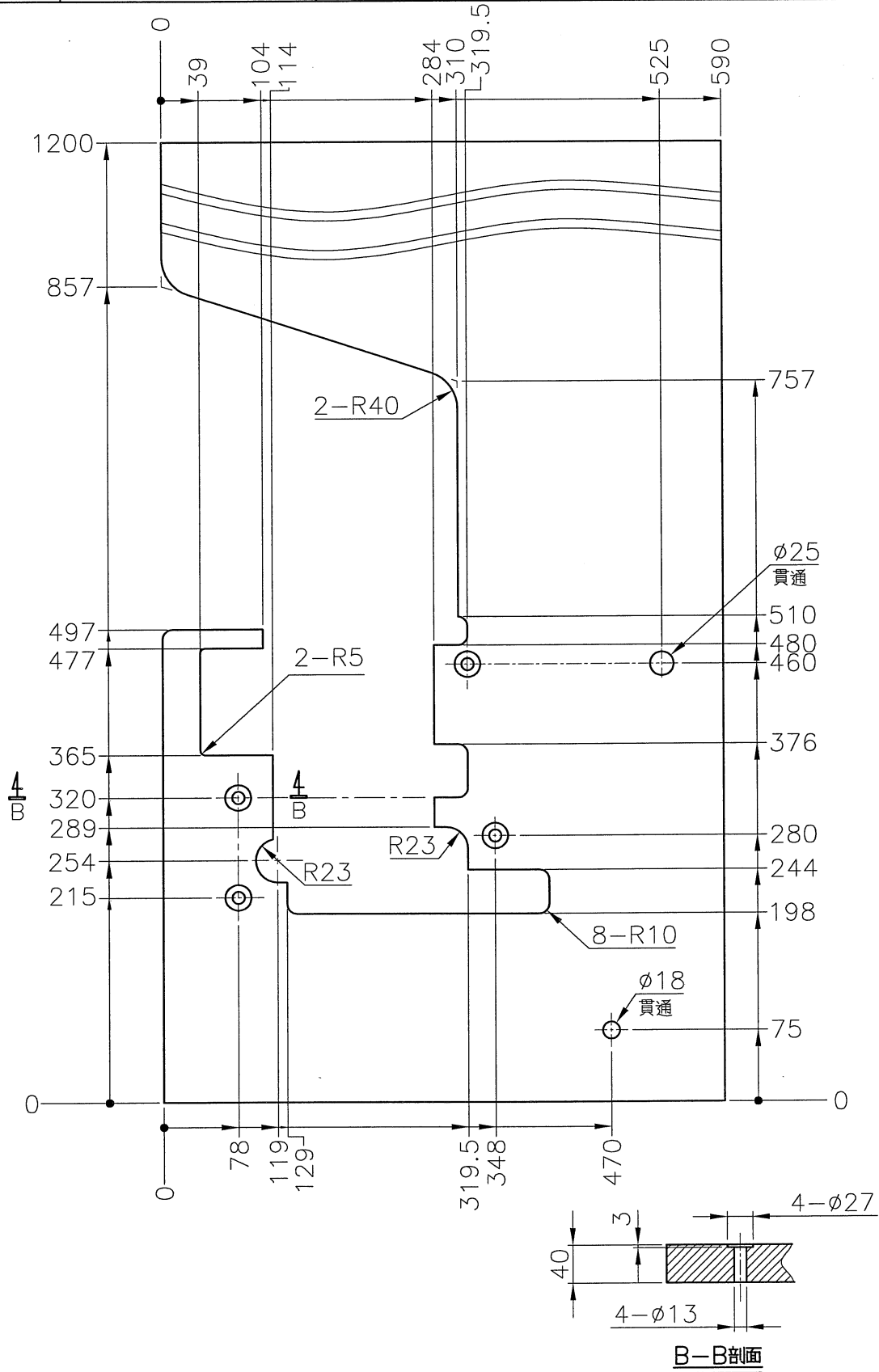
UNIT: mm  
TOLERANCE:  $\pm 2$   
WEIGHT: 11.6 kg  $\pm 5\%$

Mounting

Semi-submerged  
installation

Date

2016/08/08



**SIRUBA**

TABLE  
CUT - OUT

Series

700KS/T

Item Code

700KS-T5

Subclass Remark

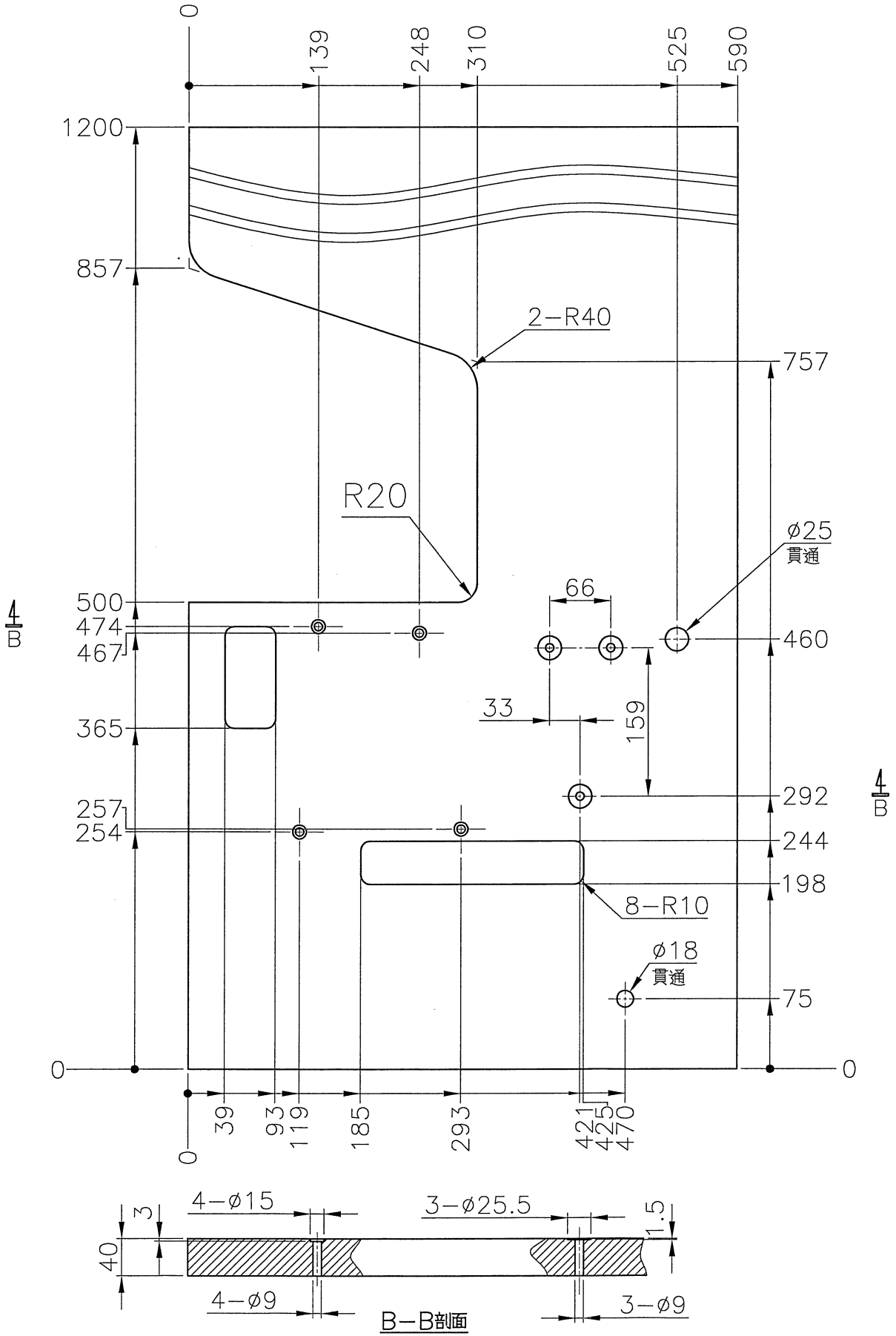
UNIT: mm  
TOLERANCE:  $\pm 2$   
WEIGHT: 11.6 kg  $\pm 5\%$   
For:LFD M/C 需配SM899-A

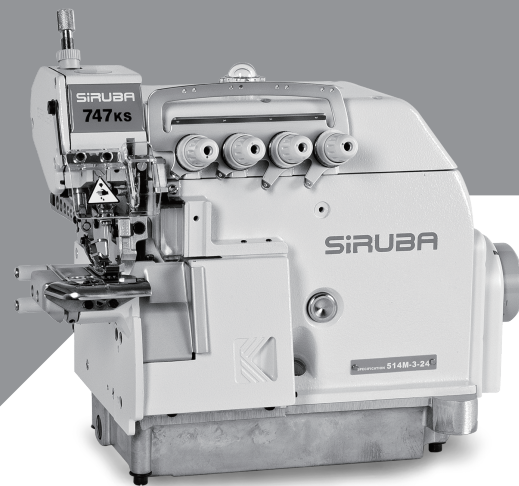
Mounting

Non-submerged

Date

2014/10/17





 高林股份有限公司  
KAULIN MFG. CO., LTD.

由於對產品的改良及更新，本產品使用說明書中與零件圖之產品及外觀的修改恕不事先通知！  
The specification and/or appearances of the equipment described in this instruction book & parts list are subject to change because of modification which will without previous notice.  
700KS.OCT.2014