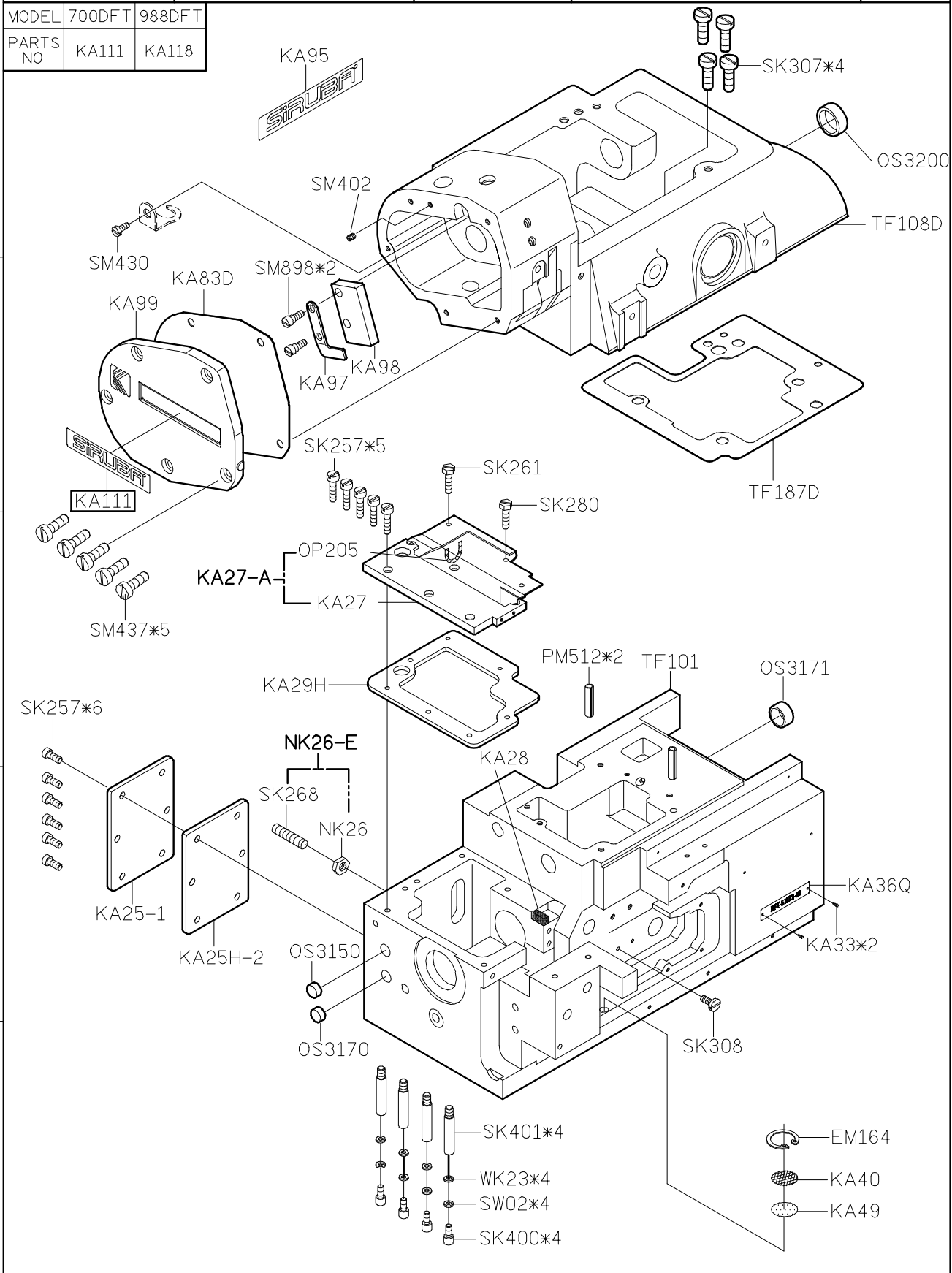




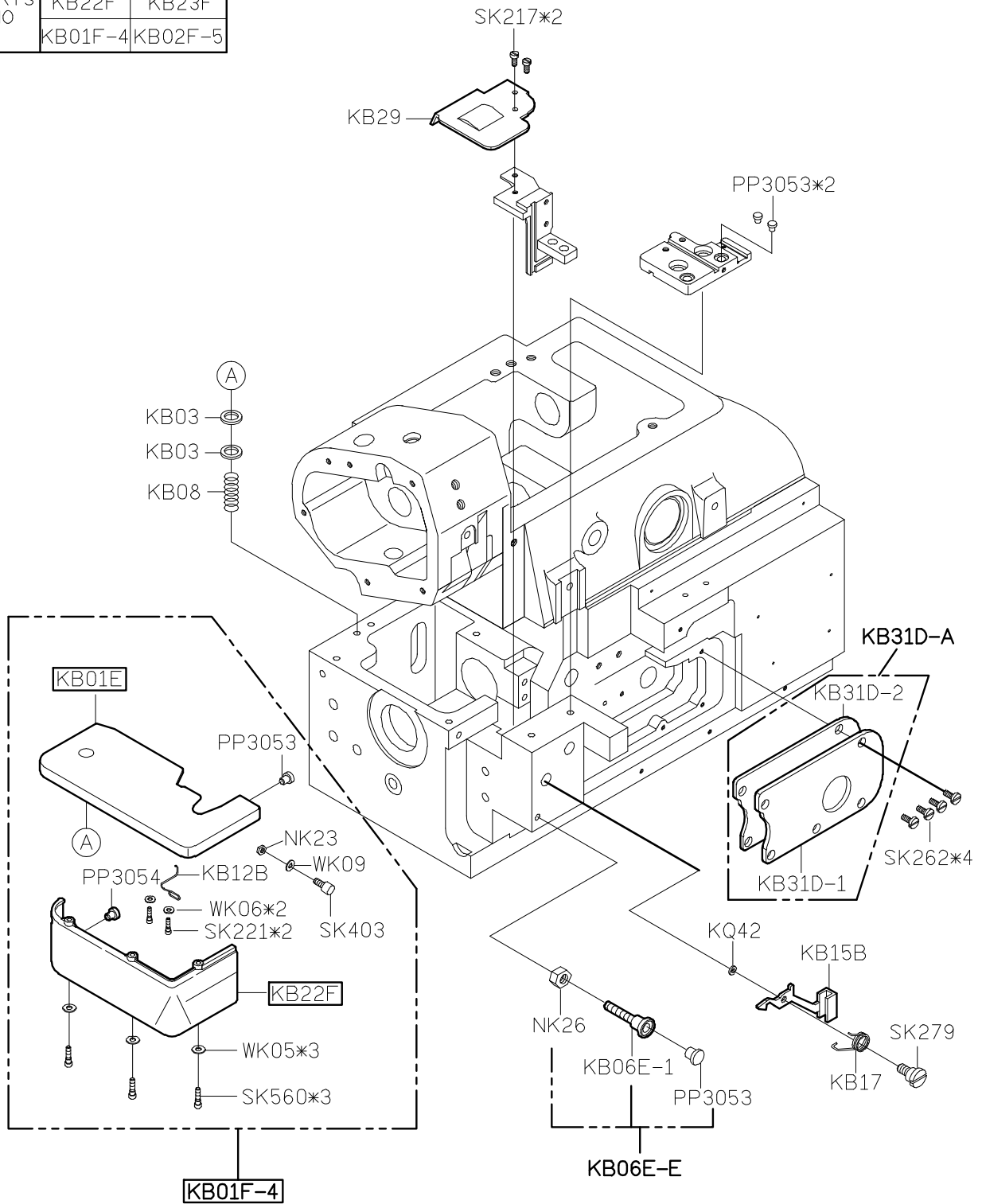
<b>SIRUBA</b> <b>PARTS LIST</b>	<b>Series</b>		<b>Parts Group</b>	<b>Subclass / Remark</b>	<b>Page</b>
	<b>700DFT</b>		<b>KA</b>		1/1
	<b>988DFT</b>				<b>Date</b>
					2013/12/23

MODEL	700DFT	988DFT
PARTS NO	KA111	KA118



<b>SIRUBA</b> <b>PARTS LIST</b>	<b>Series</b>		<b>Parts Group</b>	<b>Subclass / Remark</b>	<b>Page</b>
	<b>700DFT</b> <b>988DFT</b>		<b>KB</b>		<b>1/1</b>
					<b>Date</b> <b>2013/12/23</b>

MODEL	#4	#5
PARTS NO	KB01E	KB02E
	KB22F	KB23F
	KB01F-4	KB02F-5



1

2

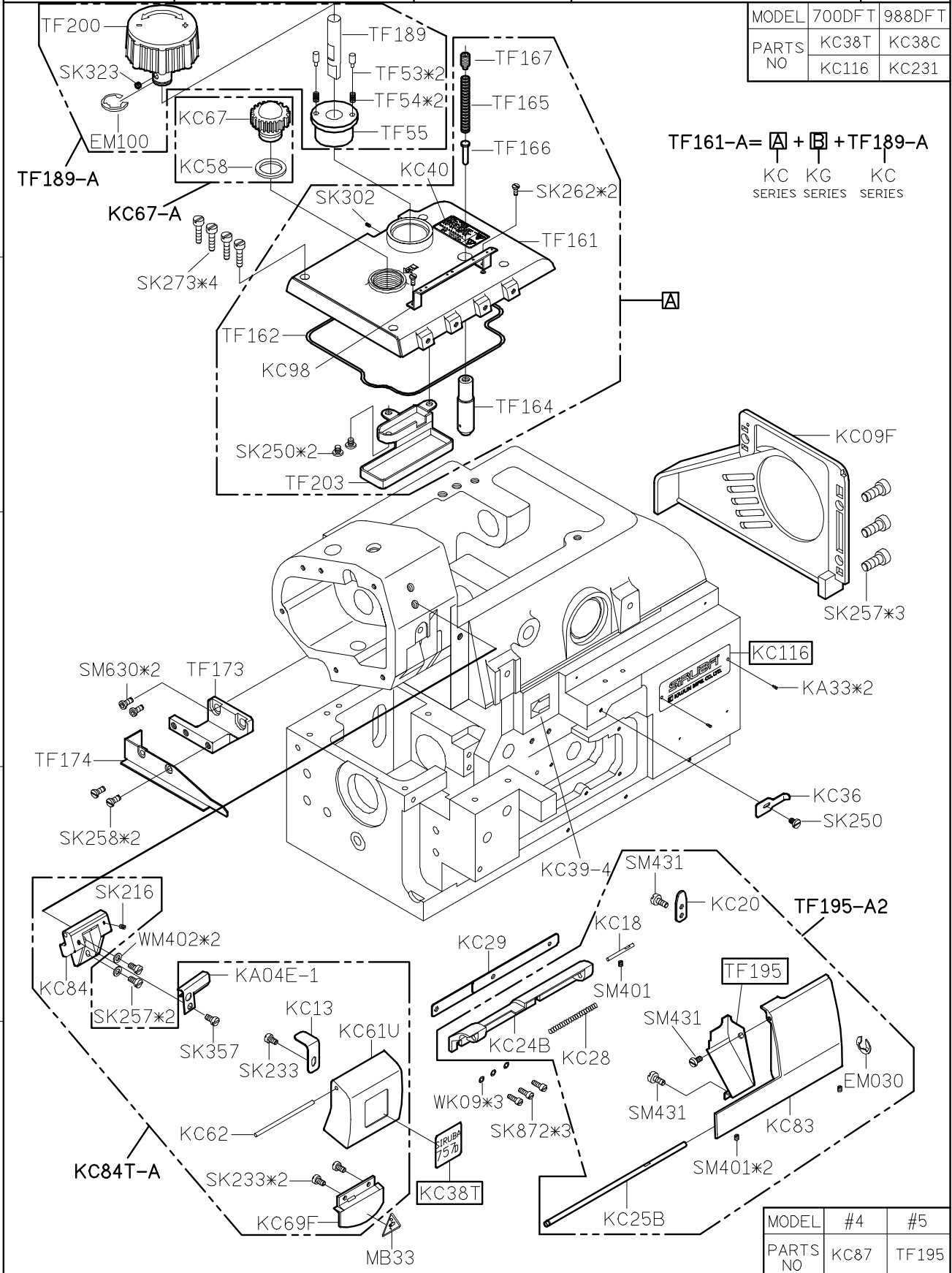
3

4

5

<b>SIRUBA</b> <b>PARTS LIST</b>	<b>Series</b>	<b>Parts Group</b>	<b>Subclass / Remark</b>	<b>Page</b>
	<b>700DFT</b>	<b>KC</b>		1/1
	<b>988DFT</b>			<b>Date</b>
				2013/12/23

MODEL	700DFT	988DFT
PARTS NO	KC38T	KC38C
	KC116	KC231

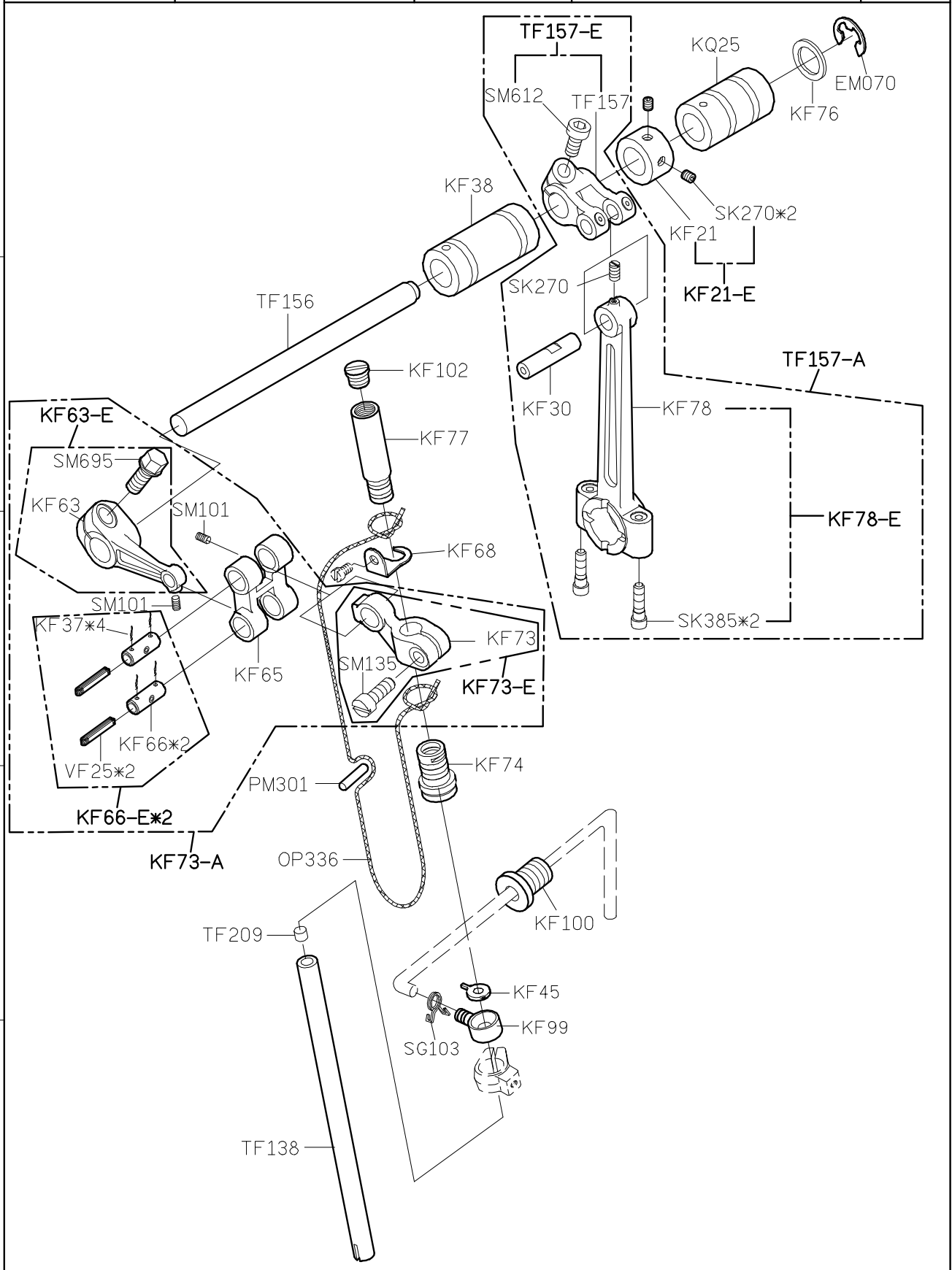


1    2    3    4    5





SIRUBA PARTS LIST	Series	Parts Group	Subclass / Remark	Page
	700DFT 988DFT	KF		1/1
				Date
				2013/12/23



1

2

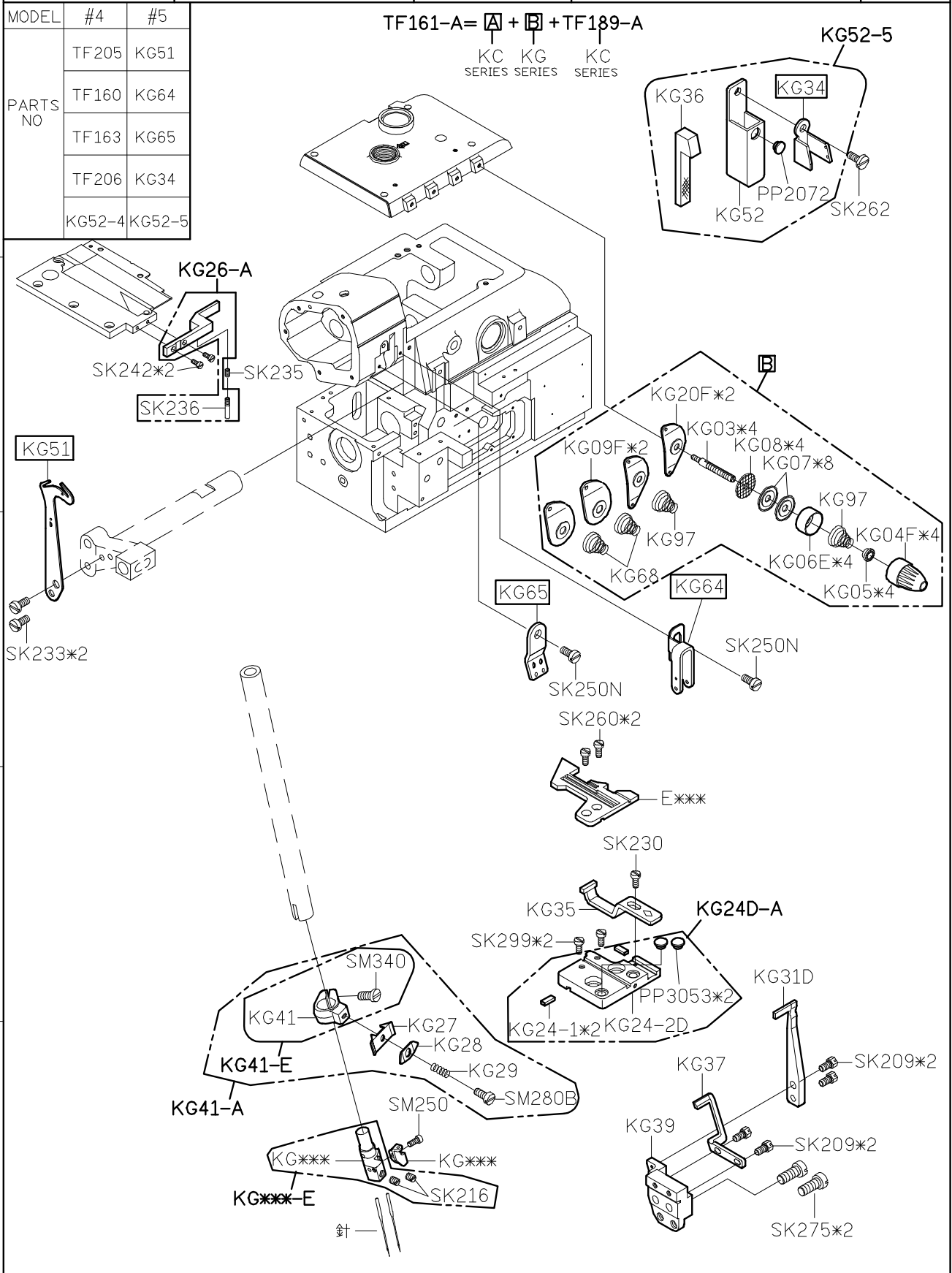
3

4

5

<b>SIRUBA</b> <b>PARTS LIST</b>	<b>Series</b>		<b>Parts Group</b>	<b>Subclass / Remark</b>	<b>Page</b>
	<b>700DFT</b>		<b>KG</b>		1/1
	<b>988DFT</b>				<b>Date</b>
					2013/12/23

MODEL	#4	#5
PARTS NO	TF205	KG51
	TF160	KG64
	TF163	KG65
	TF206	KG34
	KG52-4	KG52-5



1

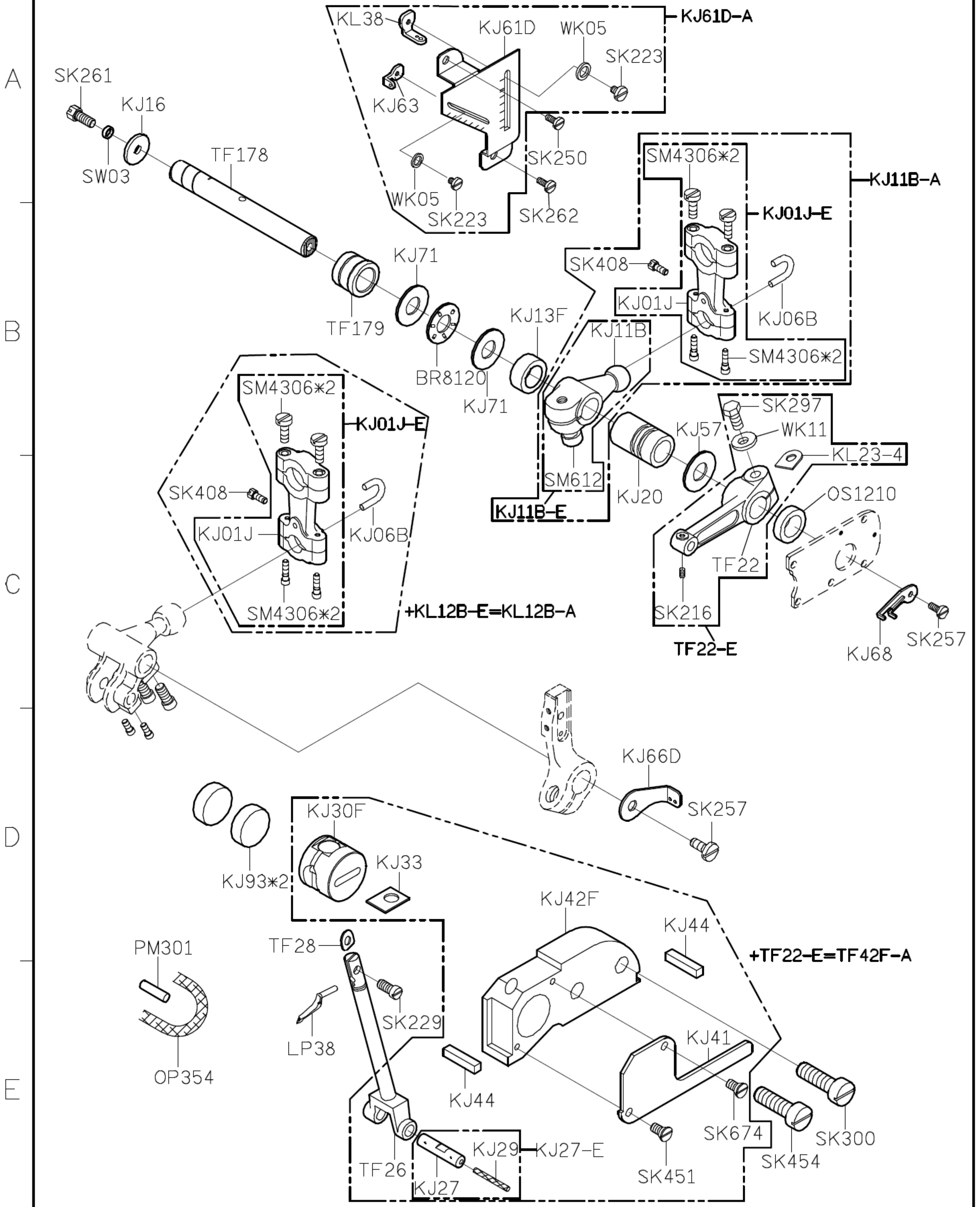
2

3

4

5

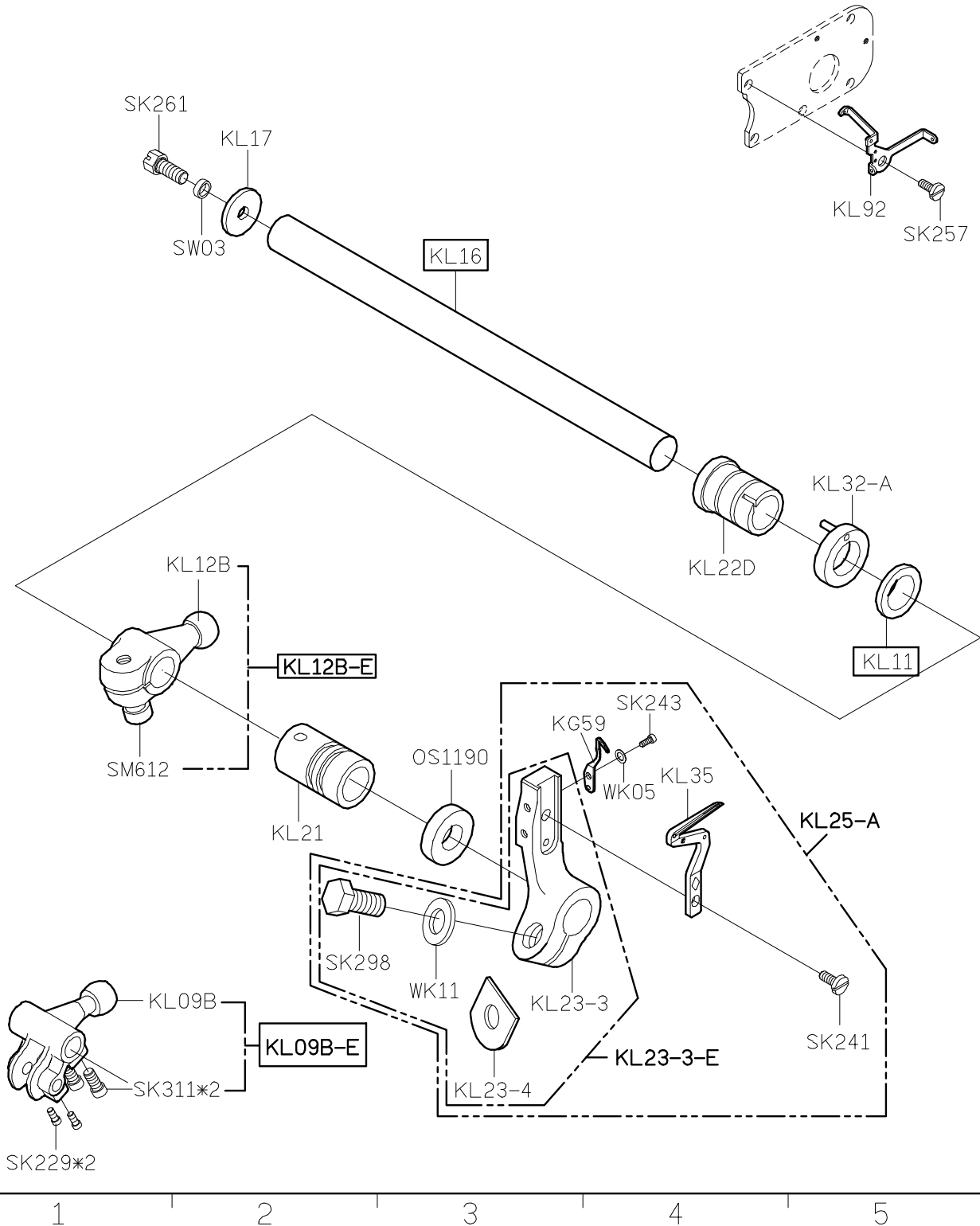
SIRUBA PARTS LIST	Series	Parts Group	Subclass / Remark	Page
	700DFT	KJ		1/1
	988DFT			Date
				2016/05/06



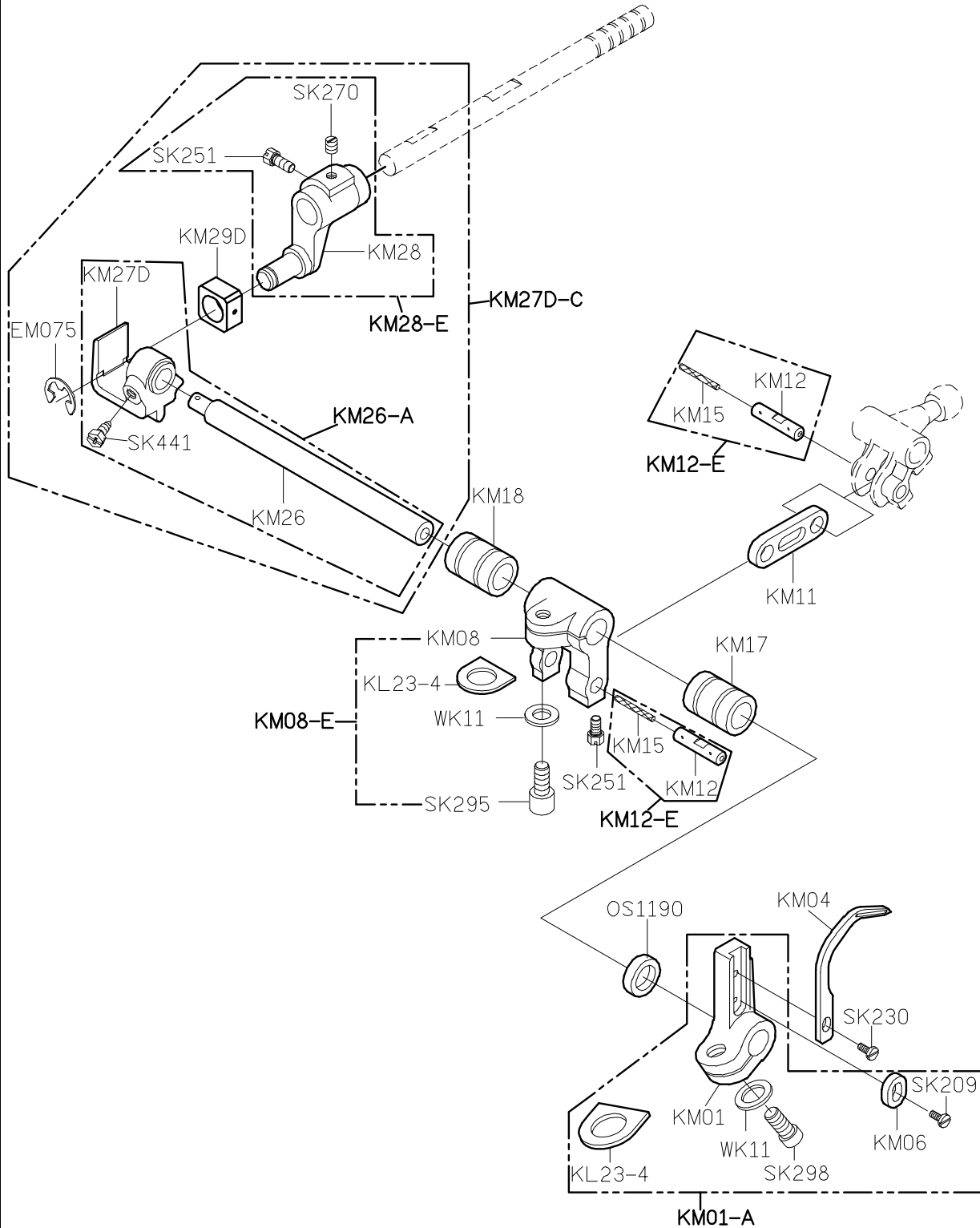
1 2 3 4 5

<b>SIRUBA</b> <b>PARTS LIST</b>	<b>Series</b>		<b>Parts Group</b>	<b>Subclass / Remark</b>	<b>Page</b>
	<b>700DFT</b>		<b>KL</b>		<b>1/1</b>
	<b>988DFT</b>				<b>Date</b>
					<b>2013/12/23</b>

MODEL	#4	#5
PARTS NO	KL57	KL16
	KL15	KL11
	KL12B-E	KL09B-E



SIRUBA PARTS LIST	Series	Parts Group	Subclass / Remark	Page
	700DFT 988DFT	KM		1/1
				Date
				2013/12/23



1

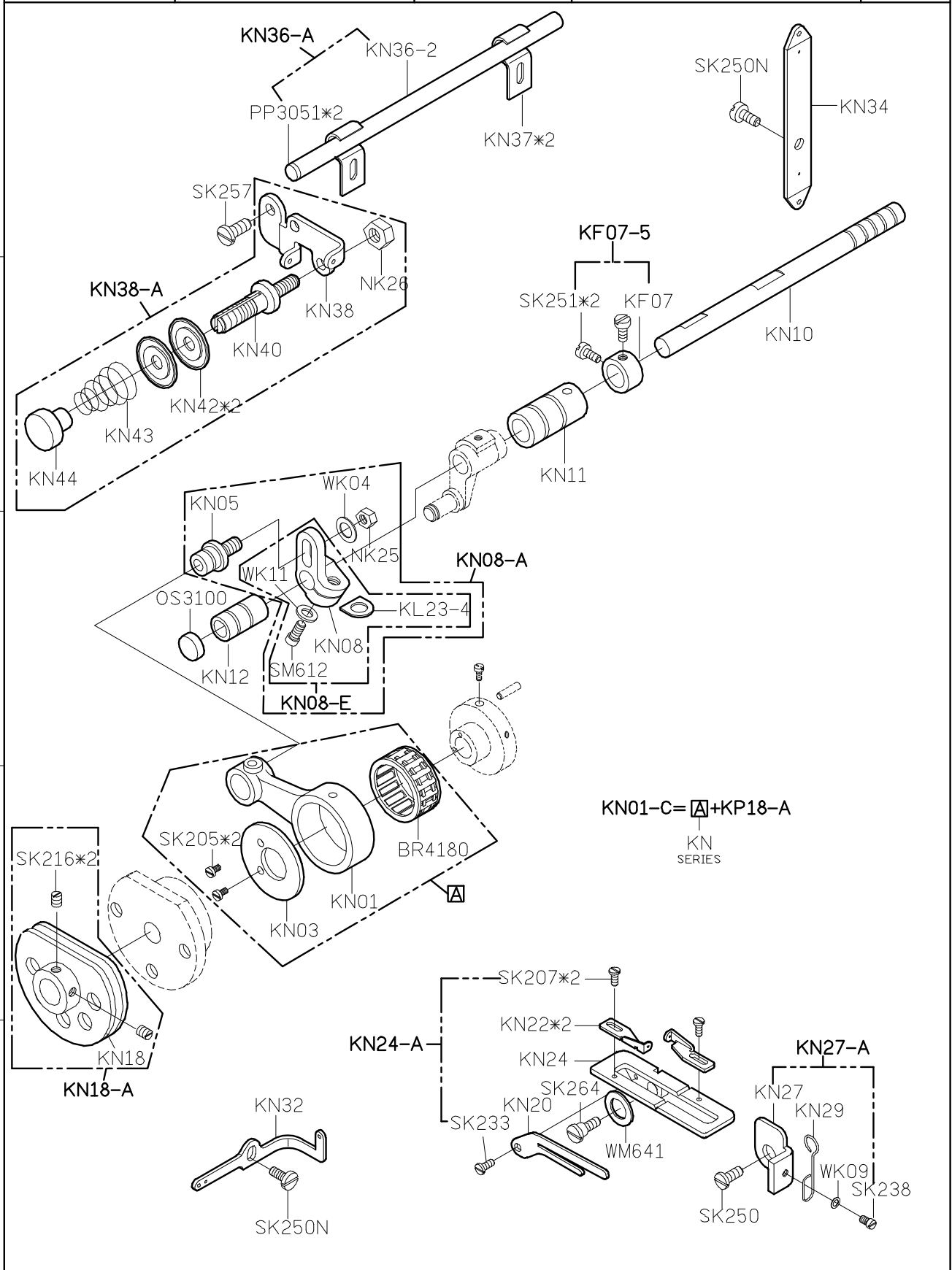
2

3

4

5

SIRUBA PARTS LIST	Series	Parts Group	Subclass / Remark	Page
	700DFT 988DFT	KN		1/1
				Date
				2013/12/23



1

2

3

4

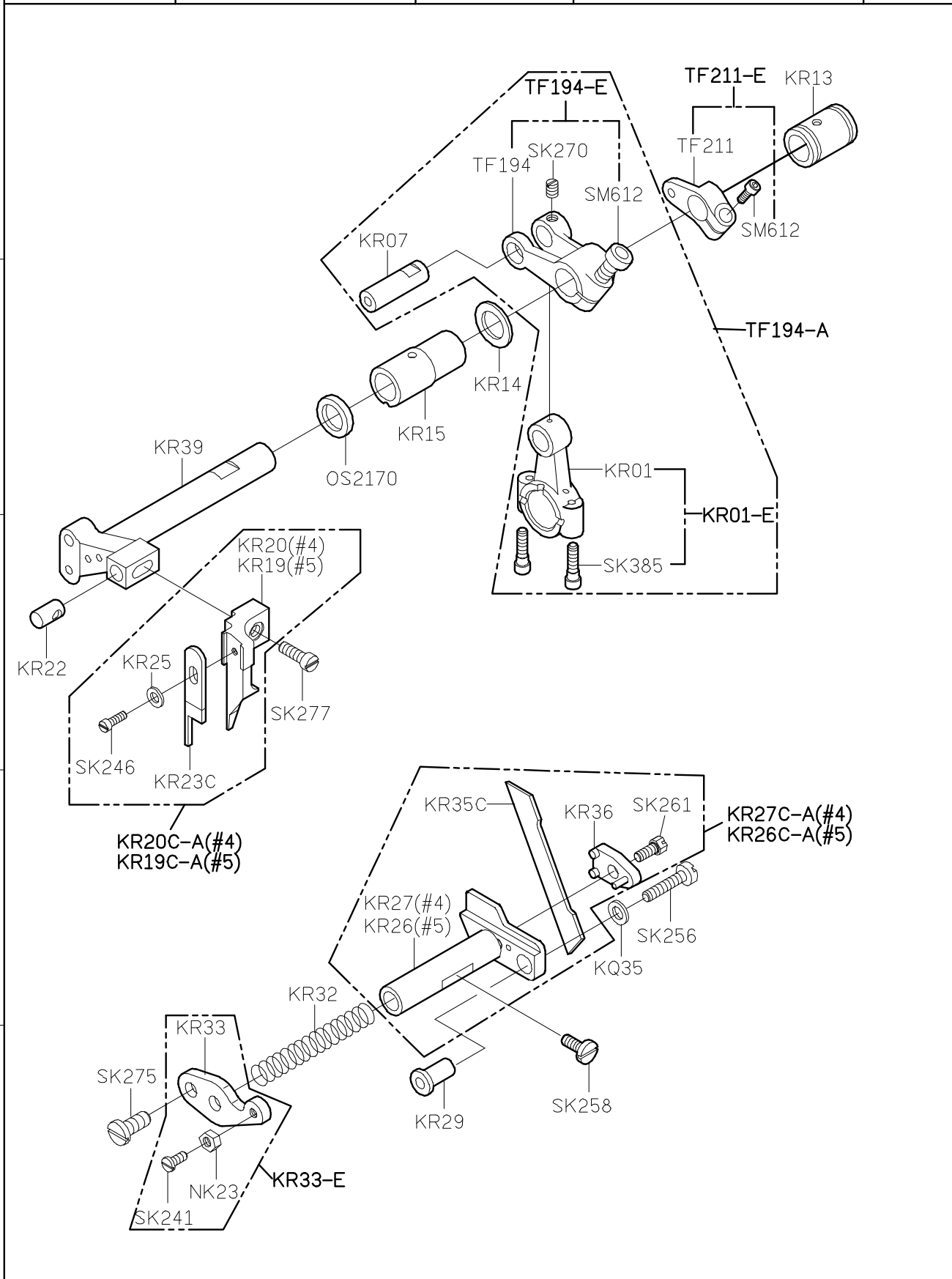
5



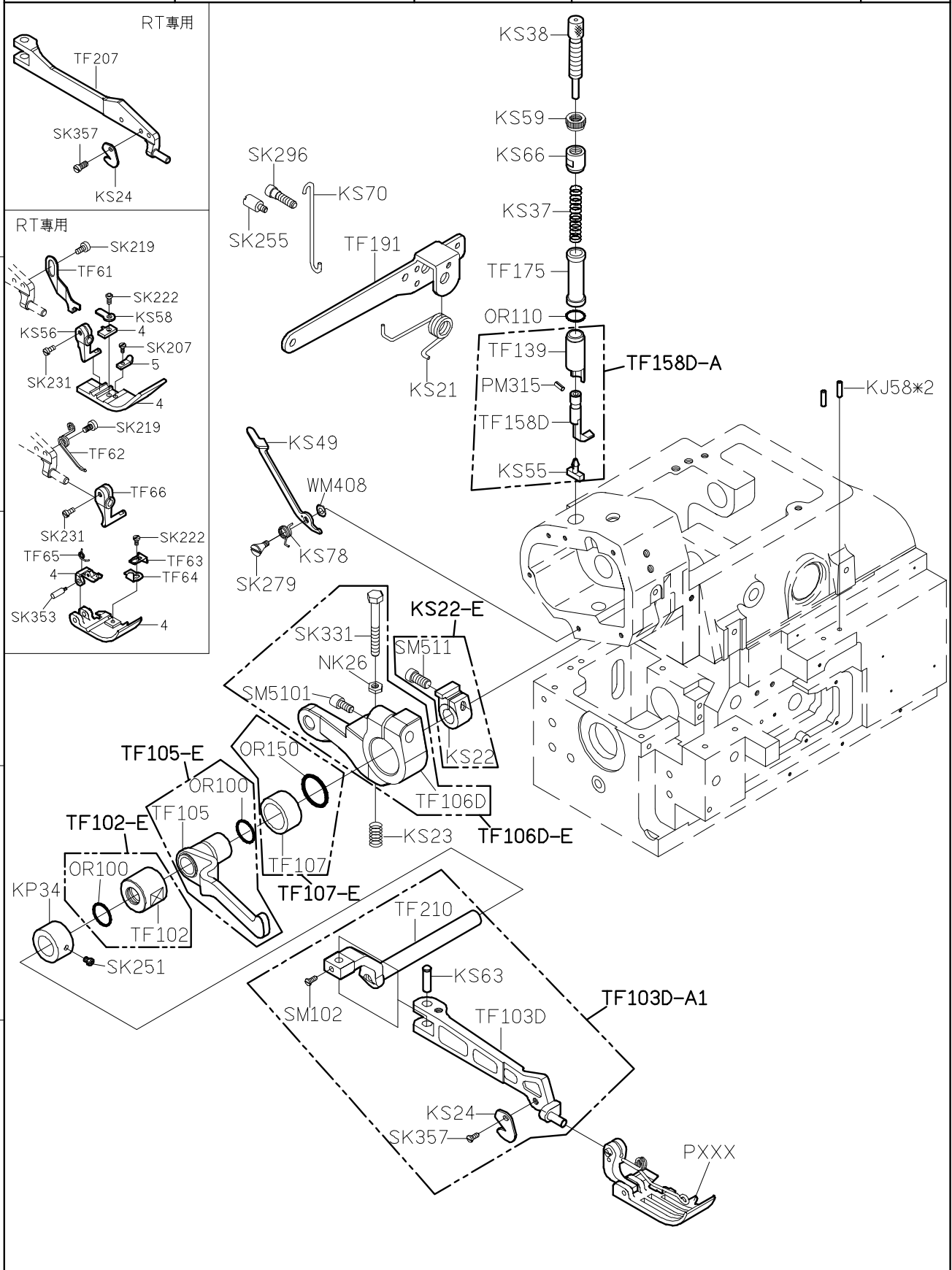




SIRUBA PARTS LIST	Series	Parts Group	Subclass / Remark	Page
	700DFT 988DFT	KR		1/1
				Date
				2013/12/23



SIRUBA PARTS LIST	Series	Parts Group	Subclass / Remark	Page
	700DFT 988DFT	KS		1/1
				Date
				2013/12/23



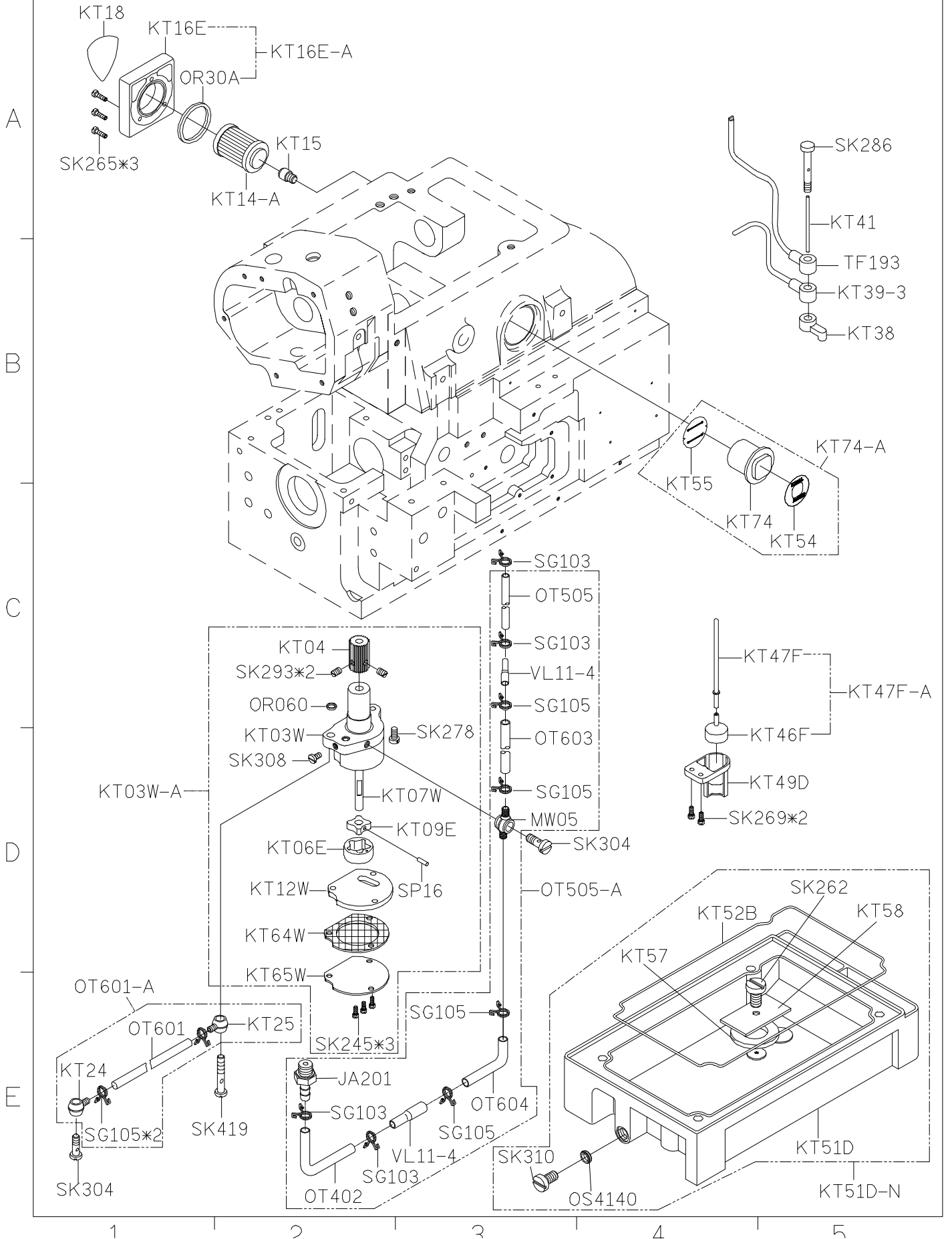
1

2

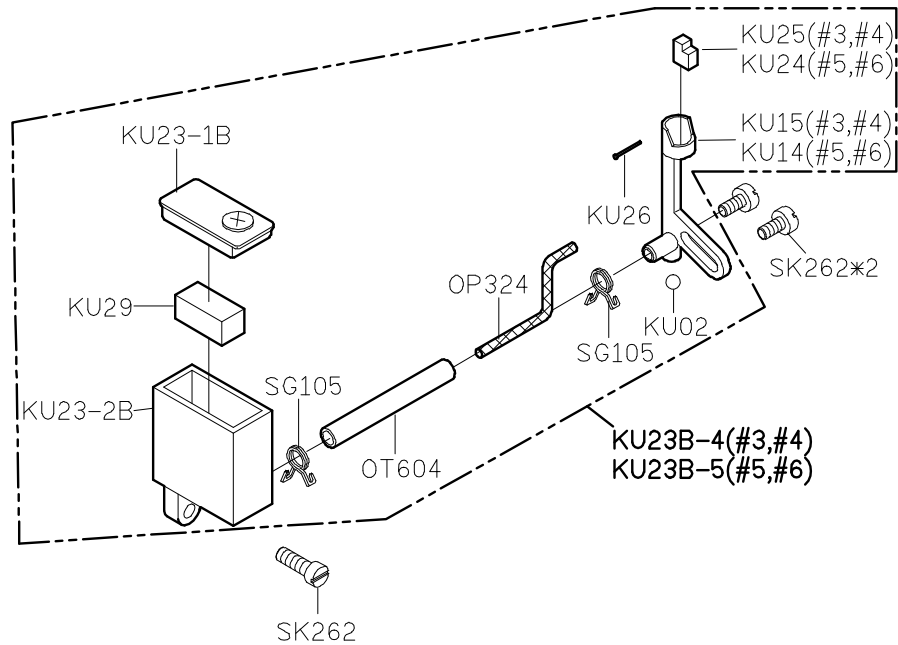
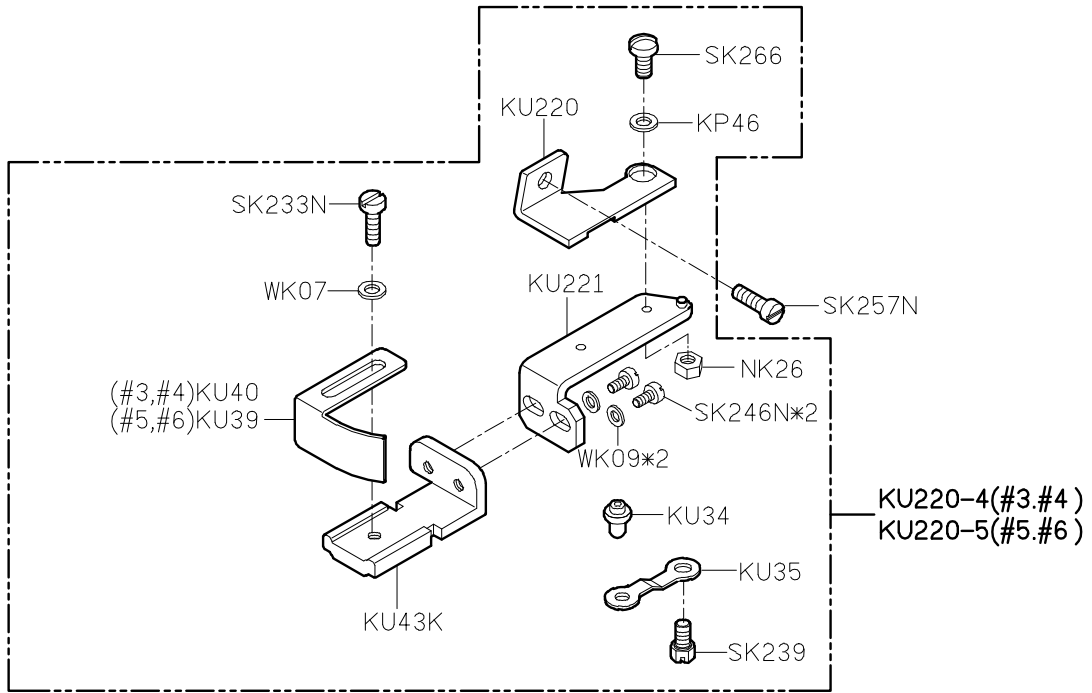
3

4

5

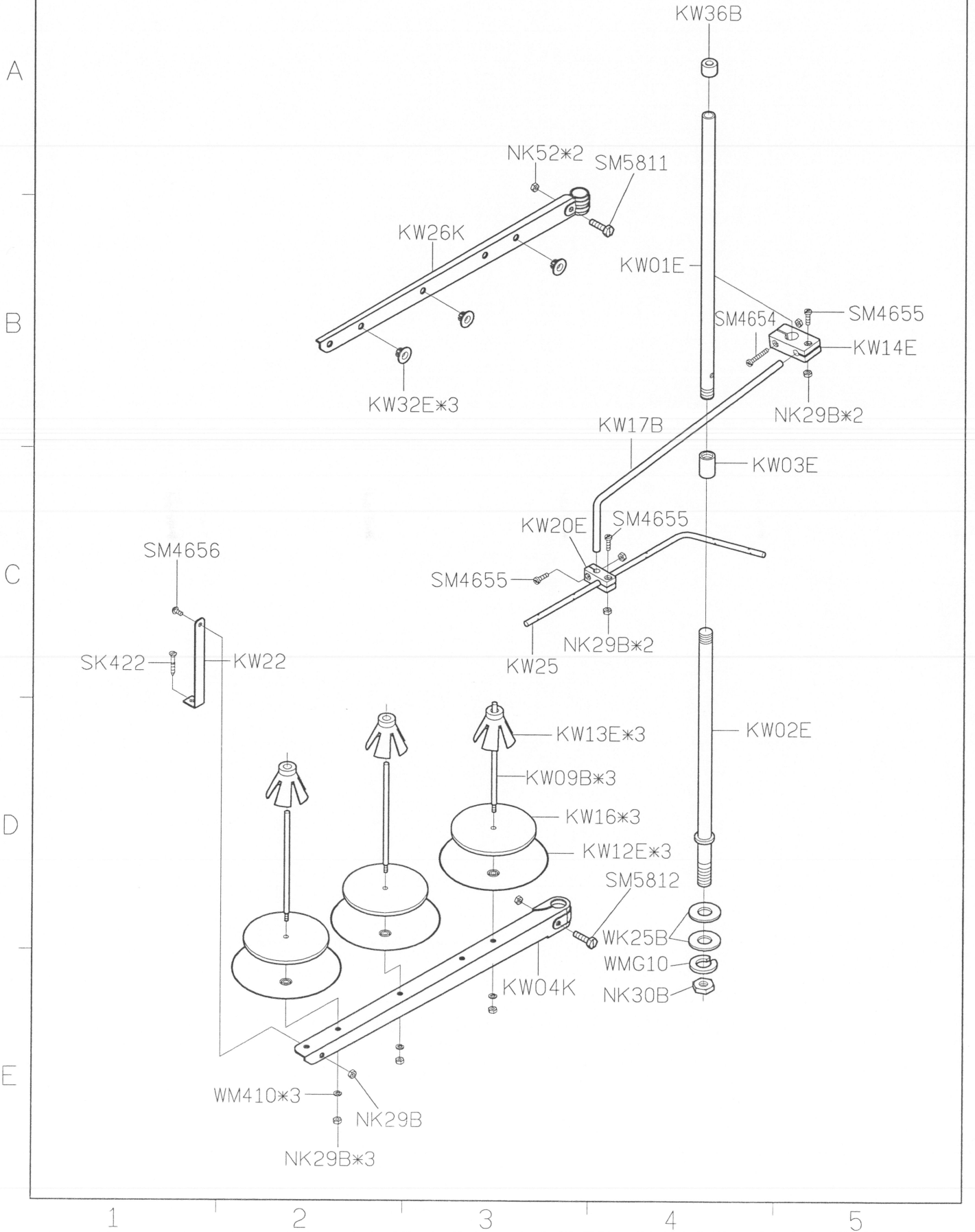


SIRUBA PARTS LIST	Series	Parts Group	Subclass / Remark	Page
	700DFT 988DFT	KU		1/1
				Date
				2013/12/23



<b>SIRUBA</b> PARTS LIST	Series	Parts Group	Subclass / Remark	Page
	拷克	<b>KW</b>		1/4
	Overlock			Date
	含MO6800系列			2017/2/20

KW40E-3



<b>SIRUBA</b> PARTS LIST	Series	Parts Group	Subclass / Remark	Page
	拷克	<b>KW</b>		2/4
	Overlock			Date
	含MO6800系列			2017/2/20

KW40E-4

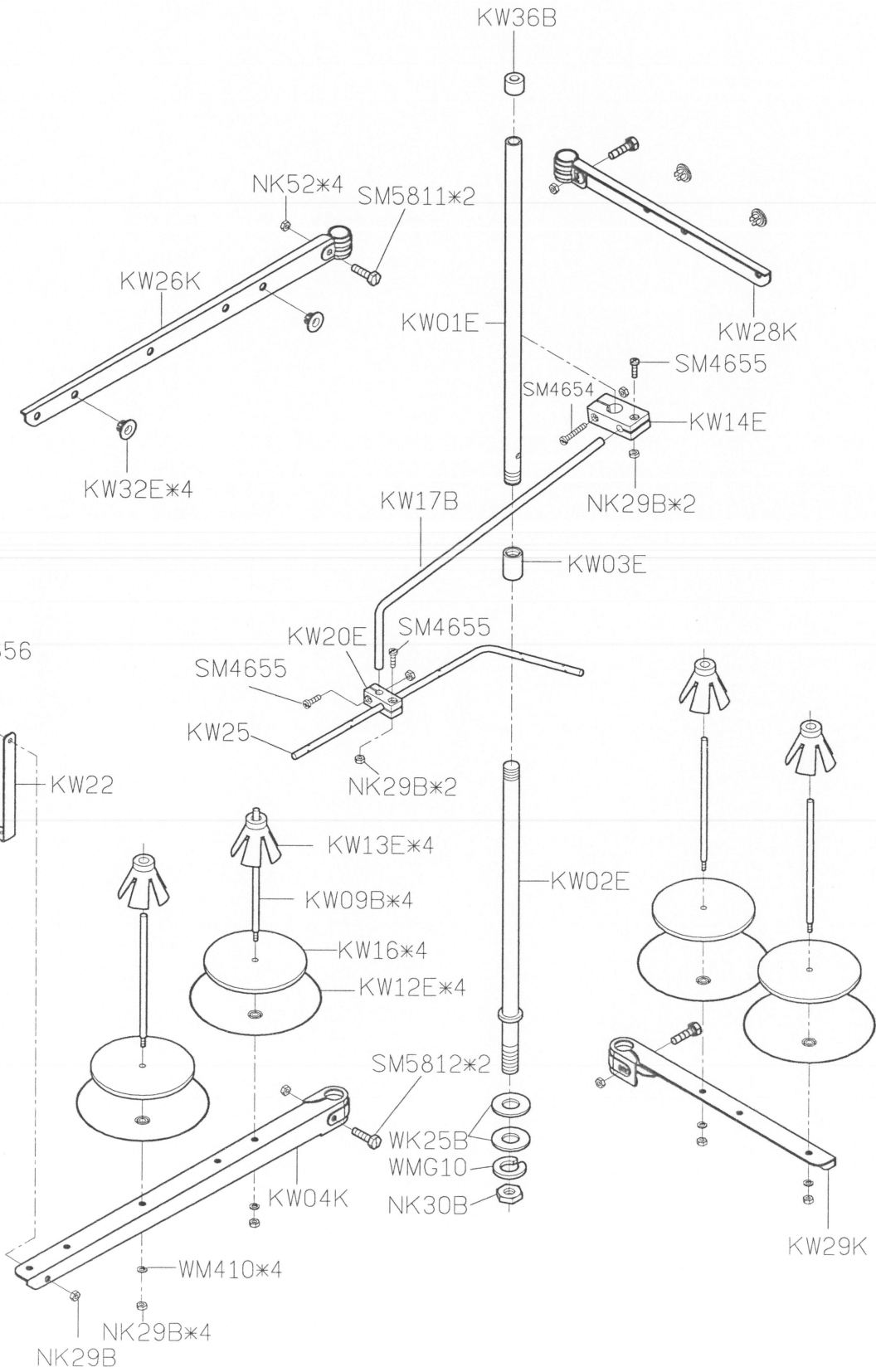
A

B

C

D

E



1

2

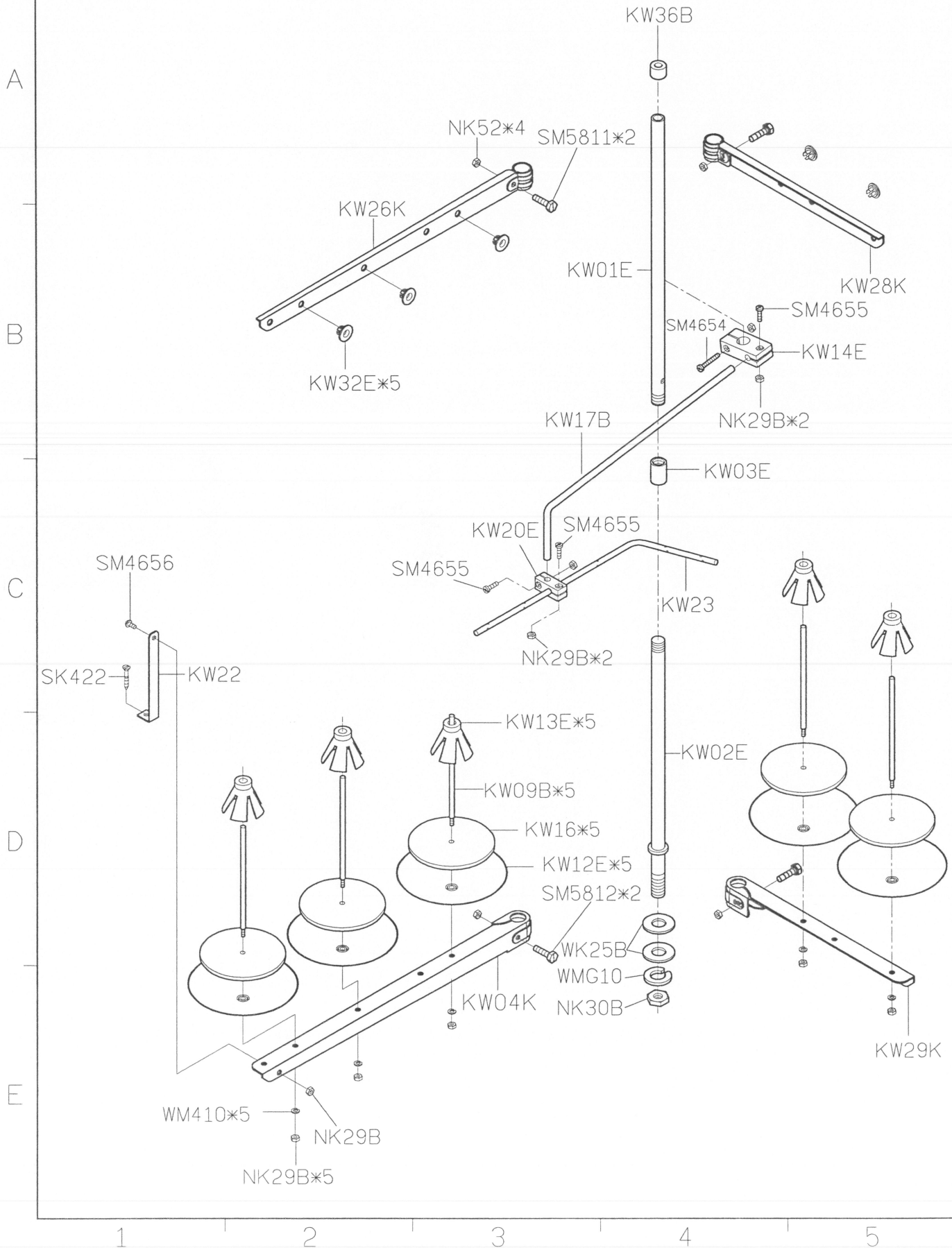
3

4

5

<b>SIRUBA</b>  PARTS LIST	Series	Parts Group	Subclass / Remark	Page
	拷克	<b>KW</b>		3/4
	Overlock			Date
	含MO6800系列			2017/2/20

KW40E-5





<b>SIRUBA</b> PARTS LIST	Series	Parts Group	Subclass / Remark	Page
	拷克	<b>KW</b>		4/4
	Overlock			Date
	含MO6800系列			2017/2/20

KW40E-6

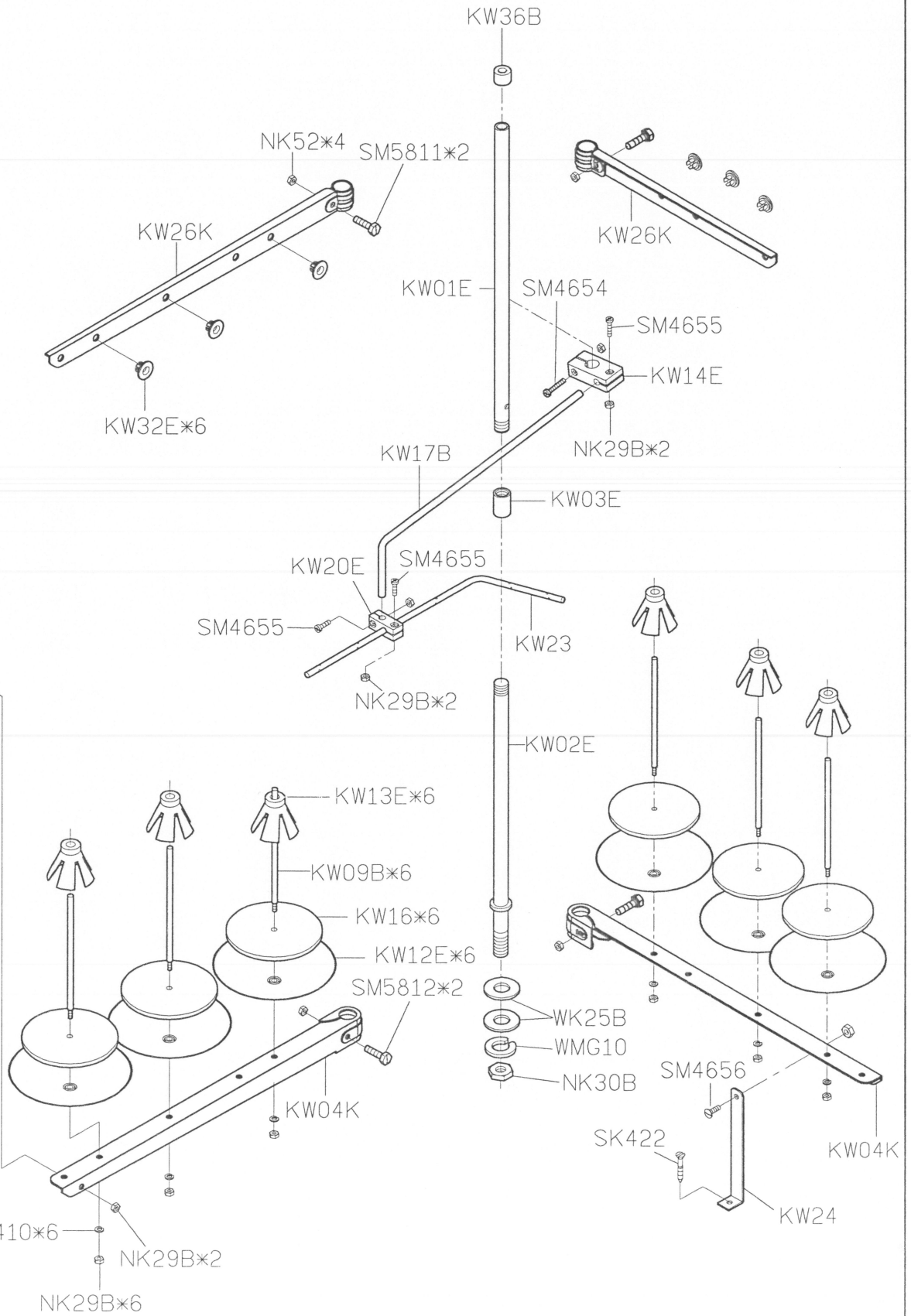
A

B

C

D

E



1

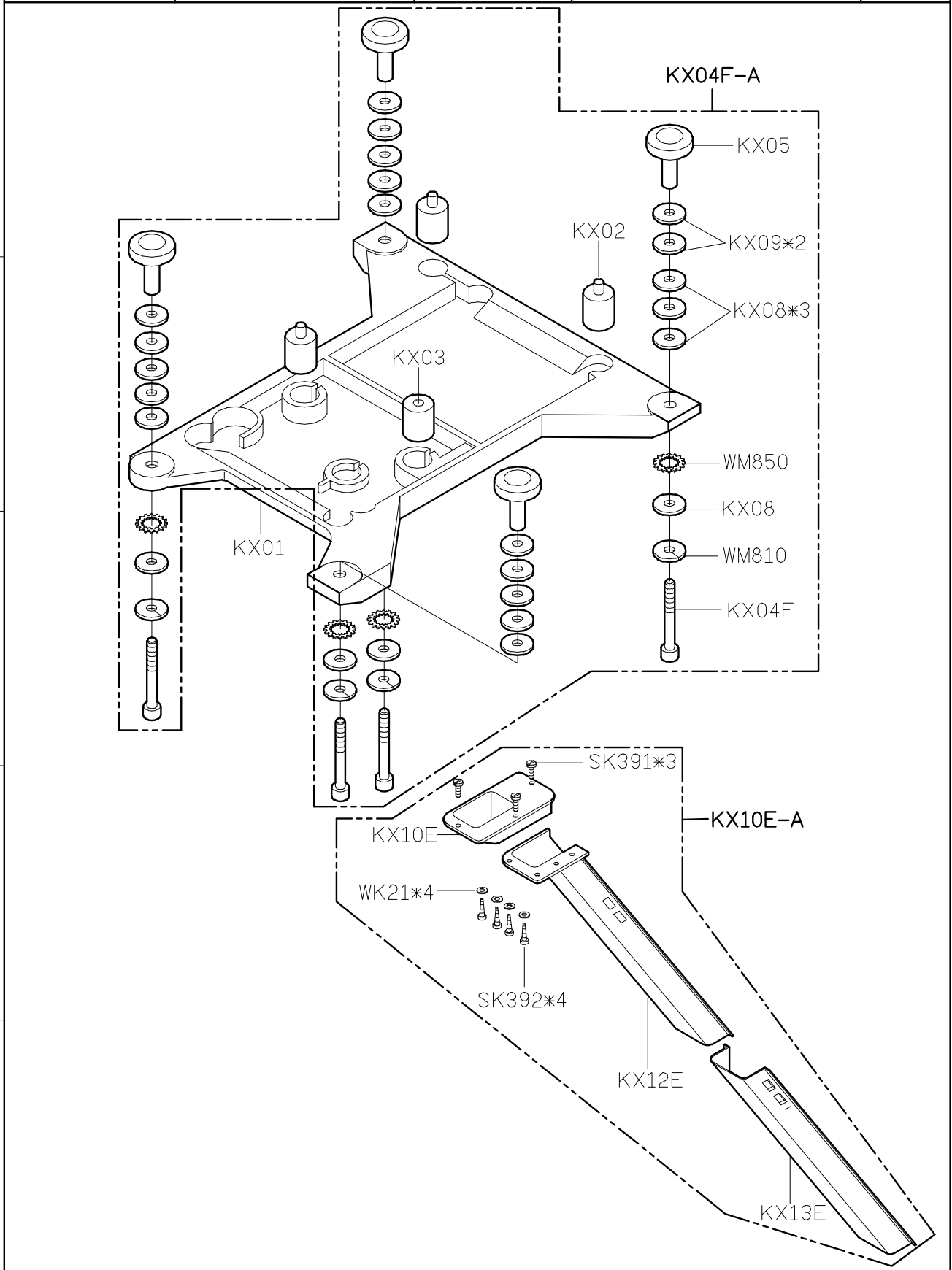
2

3

4

5

SIRUBA PARTS LIST	Series	Parts Group	Subclass / Remark	Page
	700DFT 988DFT	KX		1/1
				Date
				2013/12/23



1

2

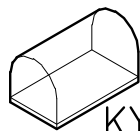
3

4

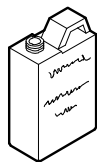
5

SIRUBA PARTS LIST	Series	Parts Group	Subclass / Remark	Page
	700DFT 988DFT	KY		1/1
				Date
				2013/12/23

KY01  
防塵罩



KY02-A  
油罐



KY03  
油壺



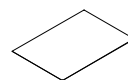
KY04  
漏斗



KY05  
油壺



KY30  
針板紙



KY23-A

KY23  
內六角板手

KY09  
開口板手

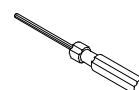
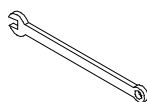
KY10  
六角板手

KY10-A

KY11  
六角板手

KY12  
六角板手

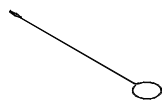
KY14  
內六角螺絲起子



KY18  
鑷子



KY19  
穿線器



KY20D-A  
腳踏板



KY21-A/MY21  
鉤子/鍊條



KY201  
工具袋



KR35  
下刀片



KT14-A  
濾油器



KZ03  
乾燥劑



針\*5  
針



KZ15/KZ15-1  
使用說明書



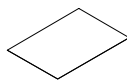
SK216  
螺絲



MY11  
六角板手



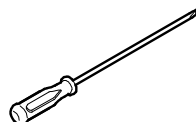
KY30  
針板紙



LY33  
一字起子

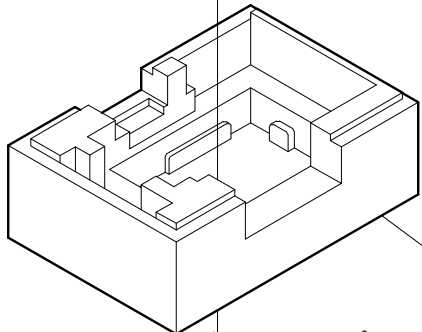
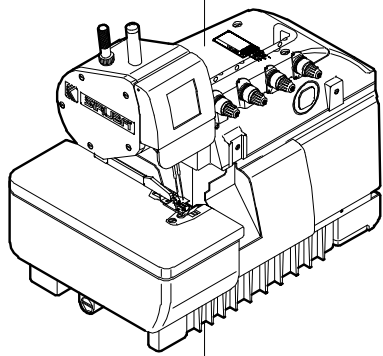
LY33-A

LY34  
一字起子

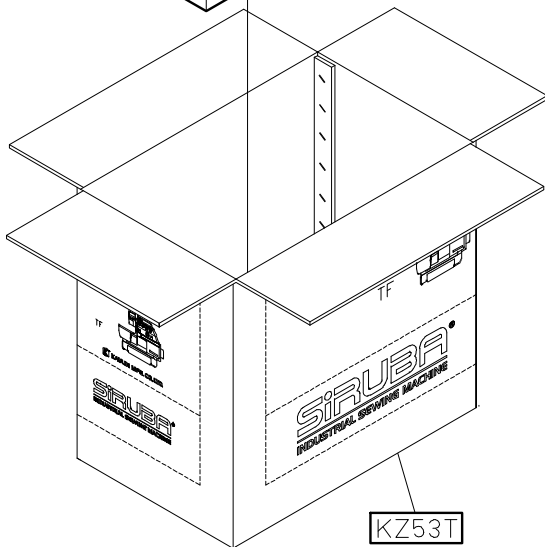


<b>SIRUBA</b> <b>PARTS LIST</b>	<b>Series</b> <b>700DFT</b> <b>988DFT</b>		<b>Parts Group</b> <b>KZ</b>	<b>Subclass / Remark</b>	<b>Page</b> 1/1 <b>Date</b> 2013/12/23
	<b>MODEL</b> 700DFT 988DFT				
	<b>PARTS NO</b> KZ53T KZ53L				

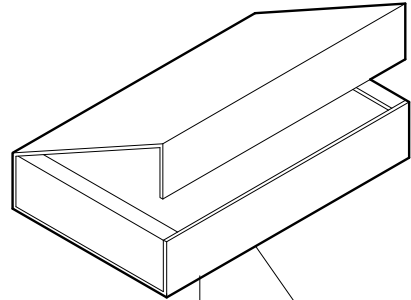
MODEL	700DFT	988DFT
PARTS NO	KZ53T	KZ53L



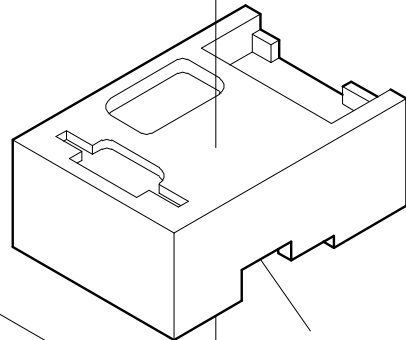
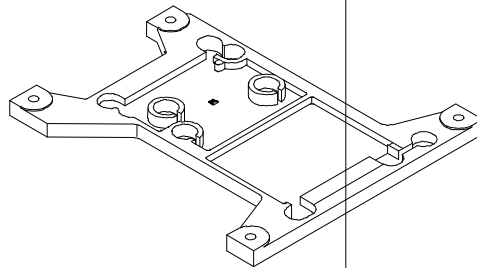
KZ26F-3



KZ53T



KW40E-5



KZ26T-1

1

2

3

4

5

**SIRUBA**  
TABLE  
CUT - OUT

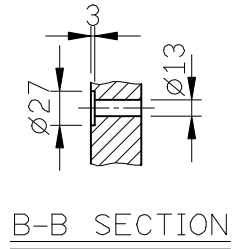
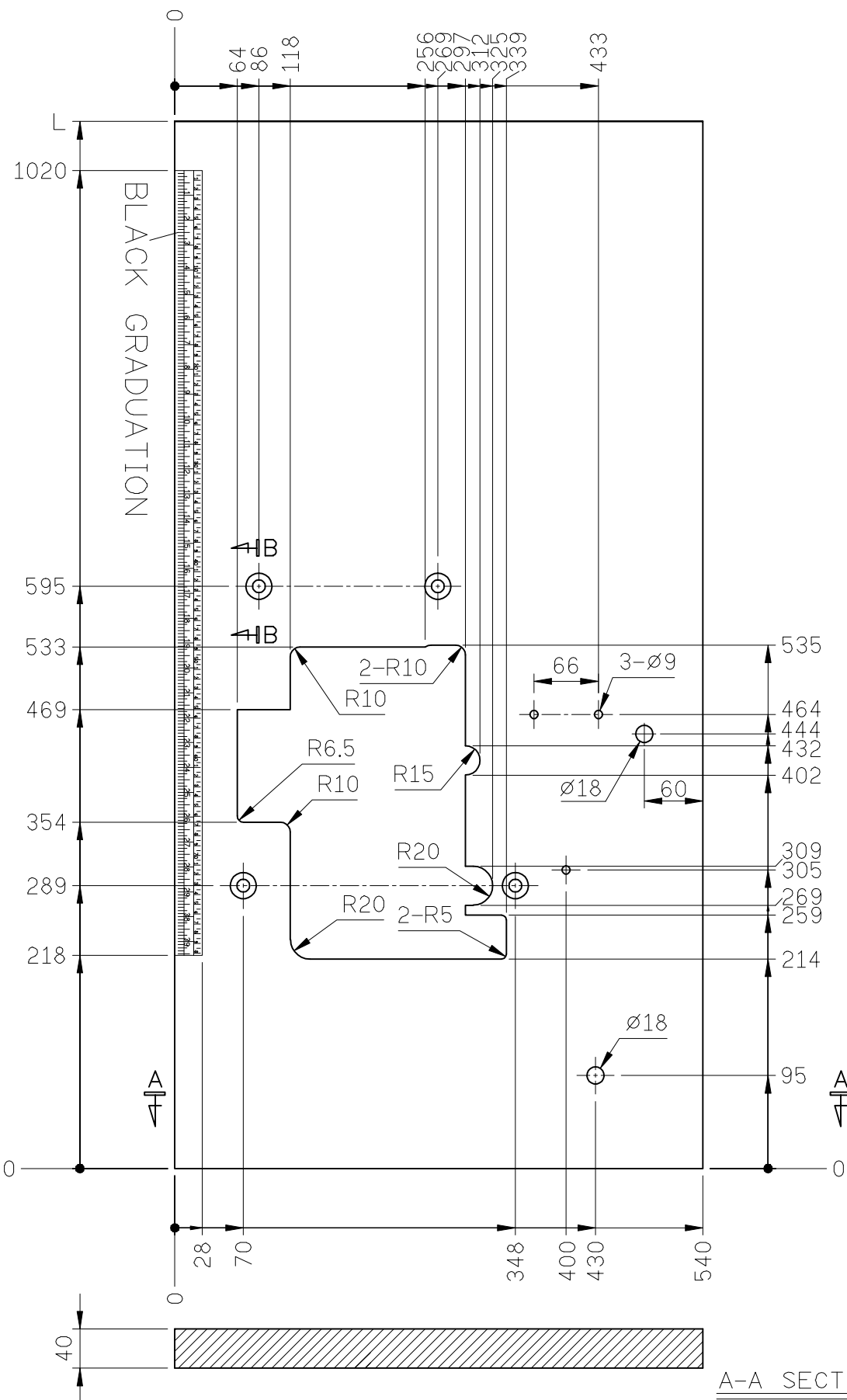
Series  
**700F/UX/DFT**  
**DRT/600K/KD**

Item Code  
**747-T**

Subclass Remark

Mounting  
Non-submerged  
Date  
**2015/03/24**

單位/UNIT:mm  
所有尺寸公差/TOLERANCE:±2  
長度(L):1070/  
重量(W):10.5kg±5%  
長度(L):1200/  
重量(W):11.5kg±5%



A-A SECTION

**SIRUBA**  
TABLE  
CUT - OUT

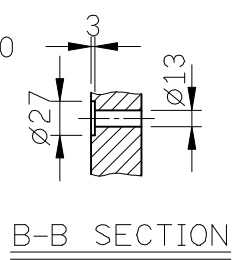
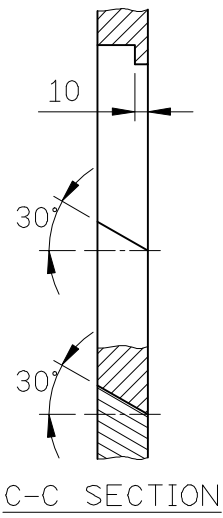
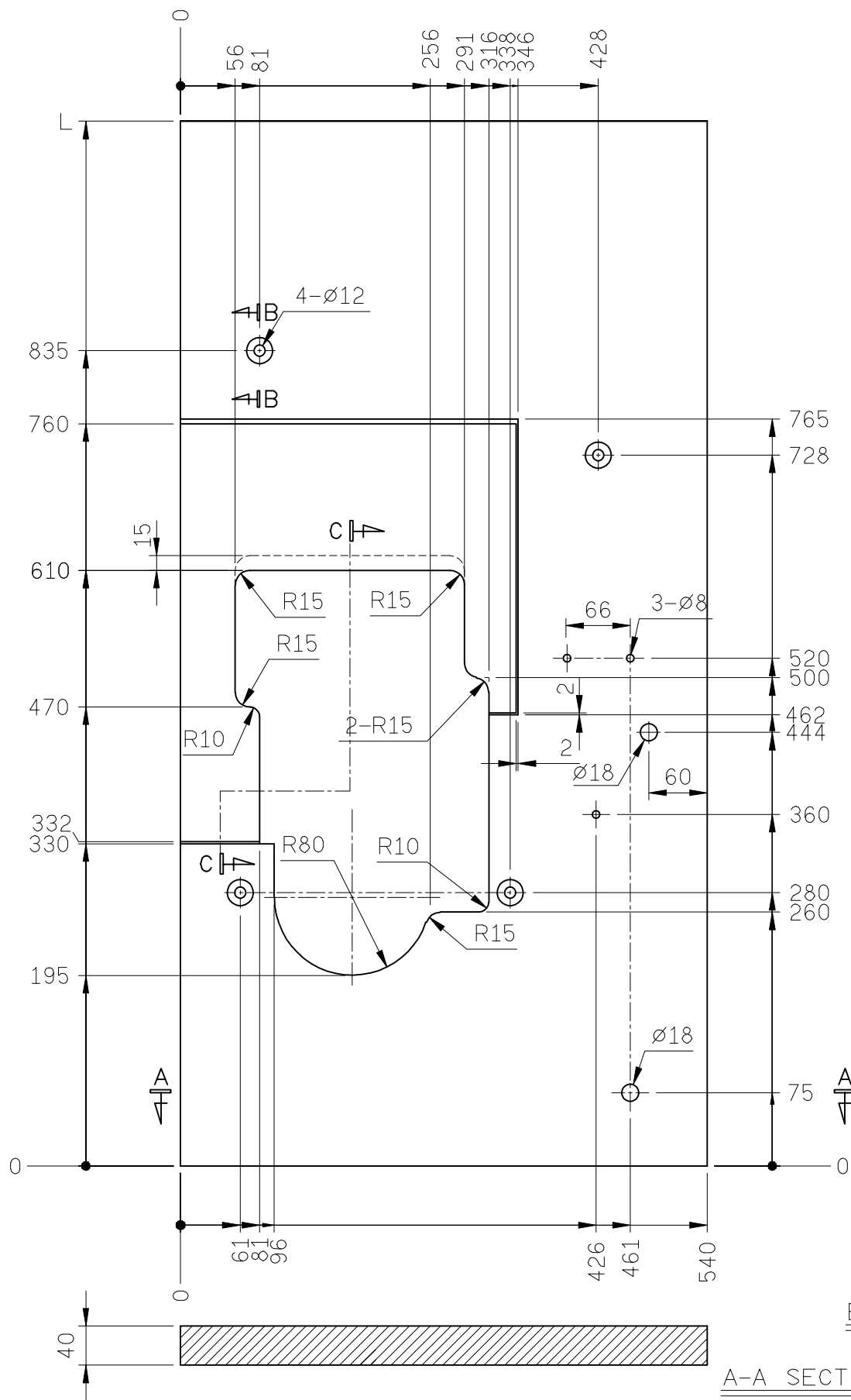
Series  
**700F/UX/DFT**  
**DRT/600K/KD**

Item Code  
**747-T1**

Subclass Remark  
需配TB-A  
600K/KD需配TB-A1

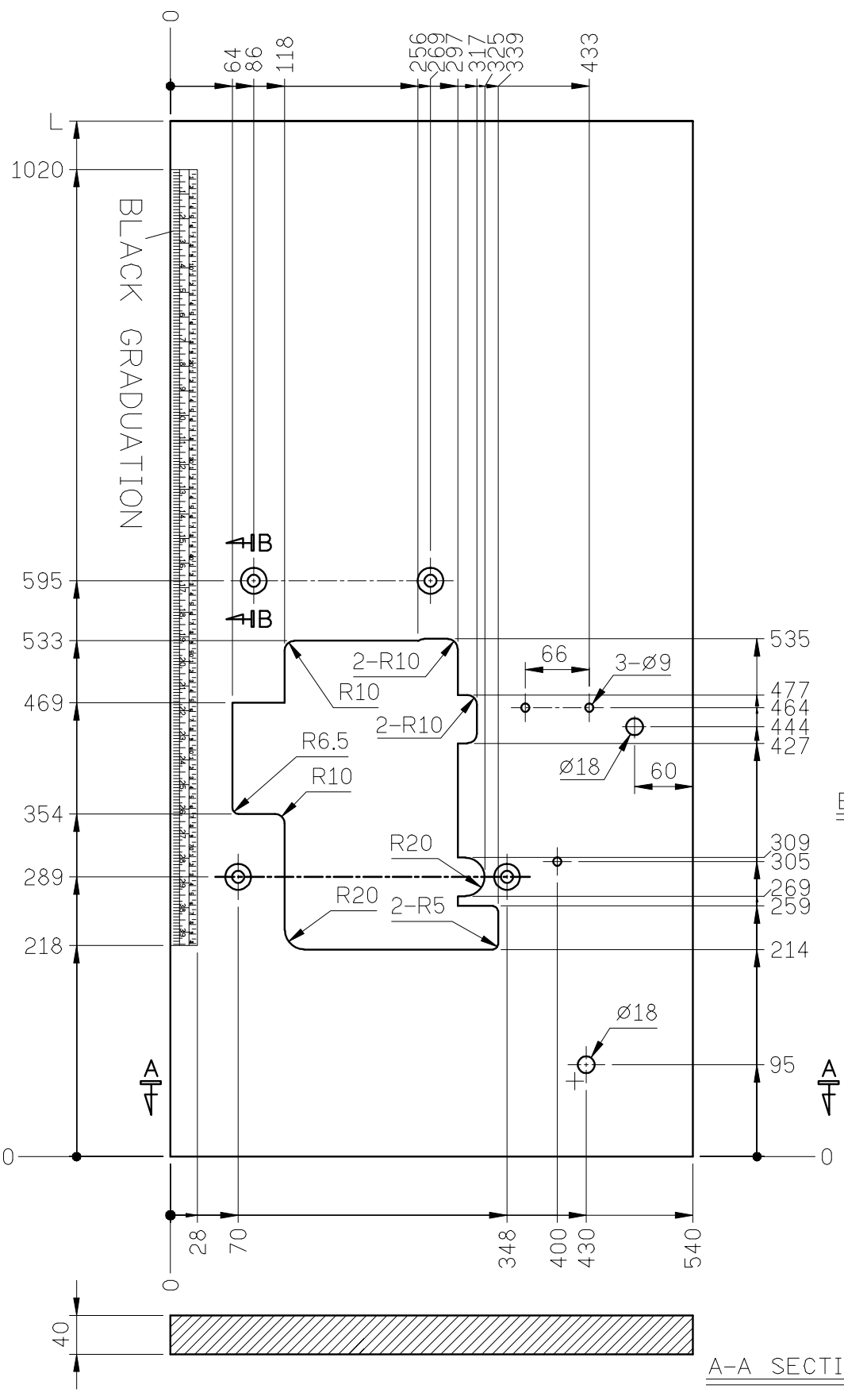
Mounting  
Fully-submerged  
Date  
**2015/04/07**

單位/UNIT:mm  
所有尺寸公差/TOLERANCE:±2  
長度(L):1070/  
重量(W):10.5kg±5%  
長度(L):1200/  
重量(W):11.4kg±5%

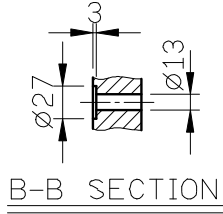


A-A SECTION

<b>SIRUBA</b> TABLE CUT - OUT	Series	Item Code	Subclass Remark	Mounting
	<b>700DFT</b>	700DFT-T1		Non-submerged
	<b>988DFT</b>			Date
				2013/12/23



FOR DFT  
單位/UNIT:mm  
所有尺寸公差/TOLERANCE:±2  
長度(L):1070/重量(W):10.5kg±5%  
長度(L):1200/重量(W):11.5kg±5%



A-A SECTION