

EMERGENCY EXIT SIGNS

EXIT

MATERIALS:

White, gray or black polycarbonate body
Transparent polycarbonate cover
Plexi glass

MOUNTING:

Surface (wall, ceiling**)
Optionally recessed*** (wall, ceiling**)
Optionally pendant**** (ceiling**)

POWER SUPPLY:

Self contained – 220÷240VAC/50÷60Hz
Central battery –220÷240VAC/50÷60Hz; 176 - 275VDC
Central battery FZLV – 24VDC

LIGHT SOURCE:

1W, 2W, 3W LED

CHARGING:

BASIC: max. 24h
STANDARD: max. 24h
PREMIUM: max. 12h; energy-saving electronic charger

AUTONOMY AND BATTERIES:

BASIC: 1h or 3h, Ni-Cd 3,6V batteries
STANDARD: 1h or 3h, Ni-Cd 3,6V batteries
PREMIUM: 1h or 3h, LiFePO₄ 6,4V batteries

INSULATION CLASS:

II or III

IP RATING:

IP65

VIEWING DISTANCE:

25 m

AMBIENT TEMPERATURE:

t_a: 0°C ÷ 40°C
t_a: -25°C ÷ 40°C – together with heater for low temperatures

OPTIONS:

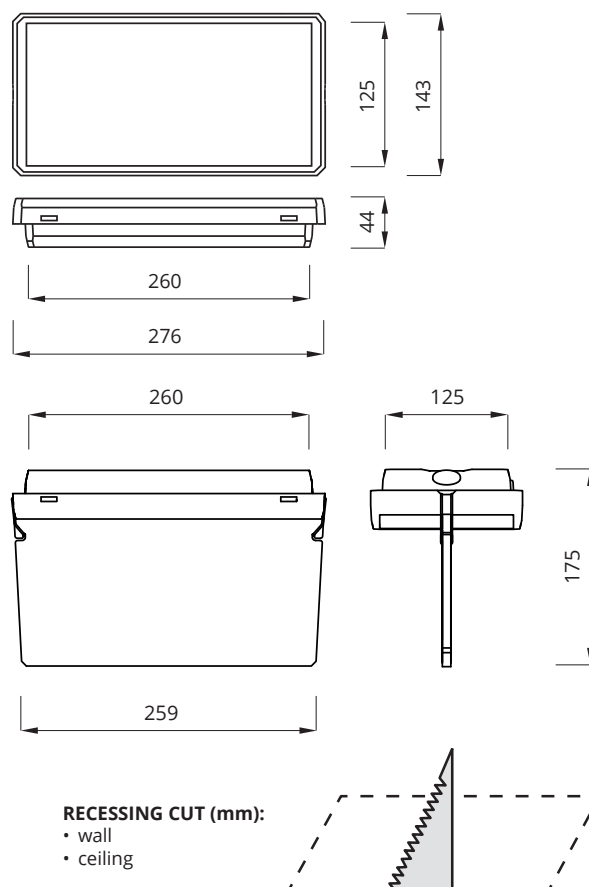
SE – non maintained
SA – maintained
PT – manual test button
AT – autotest
RU – Rubic UNA central monitoring
FZLV – central battery FZLV 24VDC
CB – central battery

ADDITIONAL INFORMATION:

LED indicator signalizes mains power supply and battery charging
Deep discharge protection
Optional adaptation of the fixture for low temperatures up to -25°C
III class of insulation of FZLV version
**additional plexi for two-sided emergency exit signs
***requires an accessory for recessed mounting
****requires an accessory for pendant mounting



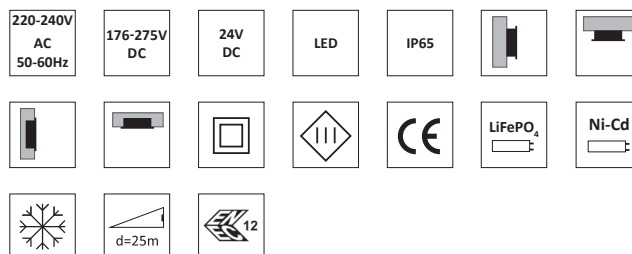
DIMENSIONS (mm):



RECESSING CUT (mm):

- wall
- ceiling

125 x 260



*see pictogram



KM 618355
BS-EN60592-2-22

*Emergency exit sign fixtures do not include any pictogram in the set. Pictograms have to be chosen and ordered as a separate item
**current list of products with Kitemark and ENEC is available at www.awex.eu

EMERGENCY EXIT SIGNS

SELF-CONTAINED CONFIGURATION:

CODE	POWER	MODULE	AUTONOMY [h]		MODE	OPTIONS		COLOR		
BASIC										
ETE	1W	E	1	3	SE	PT	X	WH	GR	BL
STANDARD										
ETE	1W	C	1	3	SA	PT	X	WH	GR	BL
ETE	2W	C	1	3	SA	PT	X	WH	GR	BL
PREMIUM										
ETE	1W	B	1	3	SA	AT	RU	WH	GR	BL
ETE	2W	B	1	3	SA	AT	RU	WH	GR	BL

CENTRAL BATTERY CONFIGURATION – NON-ADDRESSABLE

CODE	POWER	MODULE	SYSTEM	OPTIONS		COLOR		
ETE	1W	F	CB	CBS	X	WH	GR	BL
ETE	2W	F	CB	CBS	X	WH	GR	BL

CENTRAL BATTERY CONFIGURATION – ADDRESSABLE

CODE	POWER	MODULE	SYSTEM	OPTIONS		COLOR		
ETE	1W	Z	CB	ADE	ADP	WH	GR	BL
ETE	2W	Z	CB	ADE	ADP	WH	GR	BL

FZLV SYSTEM CONFIGURATION

CODE	POWER	SYSTEM	COLOR		
ETE	1W	FZLV	WH	GR	BL
ETE	2W	FZLV	WH	GR	BL



LEGEND:

- ETE – fitting EXIT IP65
- E – electronic gear for BASIC self-contained fittings
- C – electronic gear for STANDARD self-contained fittings
- B – electronic gear for PREMIUM self-contained fittings
- F – electronic gear for central battery fittings
- Z – electronic gear for addressable central battery fittings
- SE – non-maintained
- SA – maintained (with an option of connecting as non-maintained)
- PT – manual test button
- X – fitting without additional options
- AT – autotest
- RU – RUBIC UNA central monitoring system
- CB – central battery version
- CBS – central battery for circuit monitoring
- ADE – central battery with ADE address module
- ADP – central battery with ADP address module – SMART technology
- FZLV – central battery FZLV 24 VDC
- WH – white color
- GR – grey color
- BL – black color