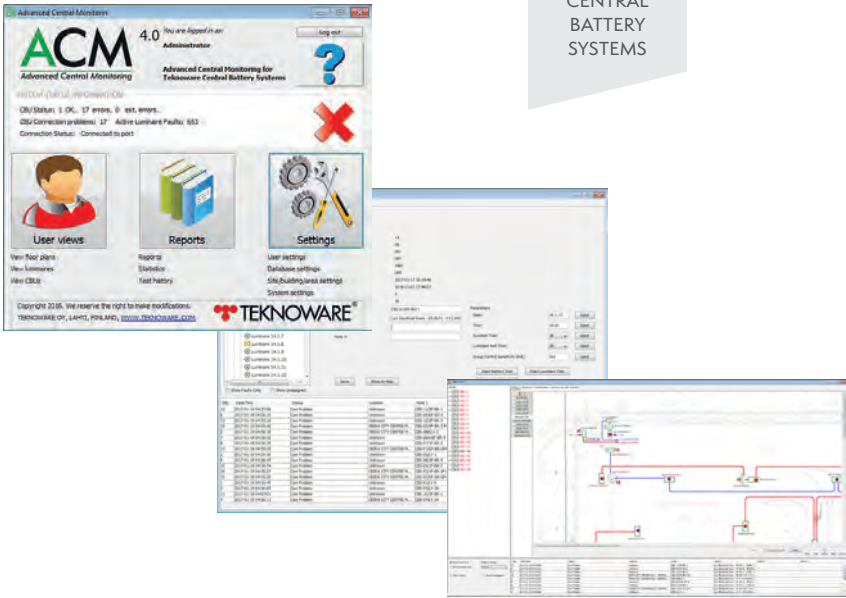




CONNECT UP TO 150 CENTRAL BATTERY SYSTEMS



ACM PC MONITORING SYSTEM

Teknoware's Advanced Central Monitoring (ACM) is a centralized remote monitoring system, using a separate network, for Teknoware's addressable central battery systems.

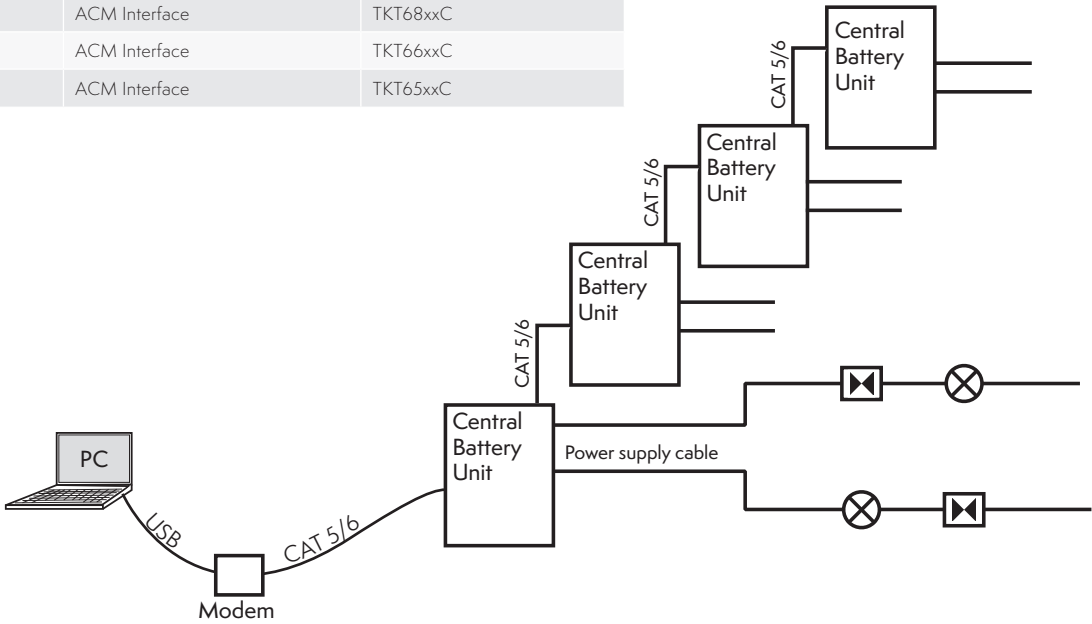
ACM uses RS485 protocol, which enables up to 1 km distance between the central battery system and the computer. 1-150 central battery systems can be connected into a single ACM system.

The condition of the central battery systems and the luminaires can be seen from the screen of the ACM remote management system software. The user may also run luminaire and battery tests. ACM automatically saves a test log book in accordance with the standard EN 50172.

From the computer with ACM, it is possible to connect e.g. to a building automation system using BACnet.

Product code	Product description
TST5131	ACM PC Software and modem
TST5141	ACM PC system with BACnet Interface
TST5142	BACnet Interface (always to the next group 30 central battery systems)

Product code	Product description	For
TST6721	ACM Interface	TKT67xxC
TST6821	ACM Interface	TKT68xxC
TST6621	ACM Interface	TKT66xxC
TST6521	ACM Interface	TKT65xxC



- = non-maintained emergency luminaire
- = maintained exit luminaire

PC with ACM software is connected to a modem with a USB cable, extension from the modem to the central battery unit is done with CAT 5/6 cable.