

GRUNDFOS COMFORT PM

B, BS, BA, BX, BT, BXS, BXA, BXT (B5, BN5, BU, T BN5, A B5, A BN5, A BU)



WATER QUALITY
Drinking water system
component
NSF/ANSI 61
MH26400
NSF/ANSI 372



Further product
documentation



net.grundfos.com/qr/i/98553150

be
think
innovate

GRUNDFOS 



Max. 1.0 MPa (10 bar)
(Max. 145 PSI)



Min./Max. 2 °C / 95 °C
(Min. 35 °F / Max. 176 °F)



Min./Max. 0 °C / 40 °C
(Min. 32 °F / Max 104 °F)



H_{max.} 1.2 m (3.9 ft)

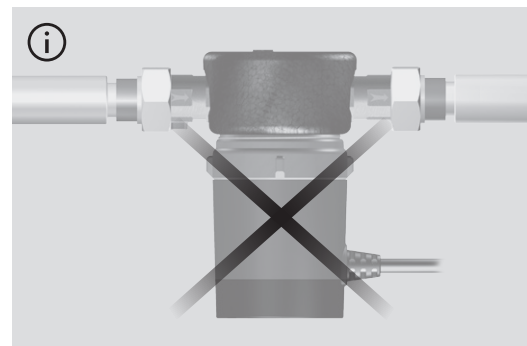
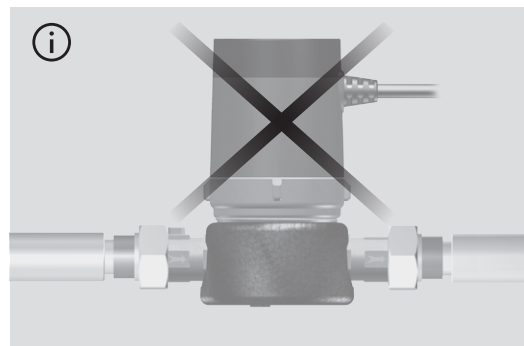
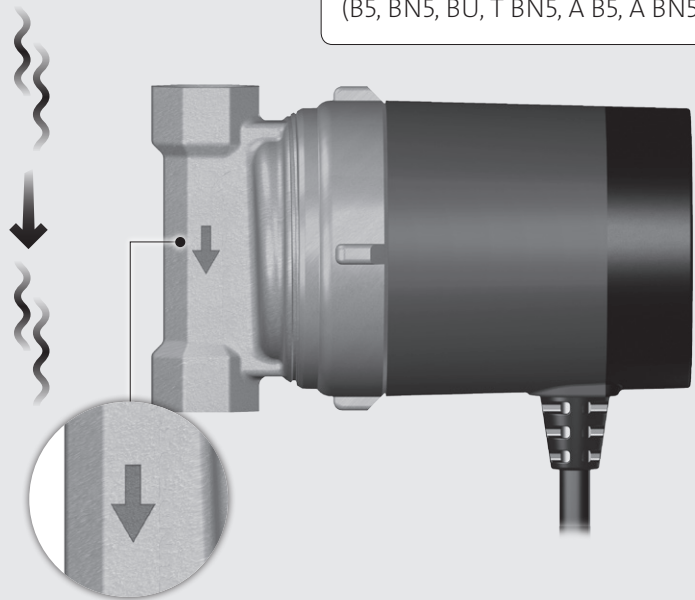
< 43 dB(A)



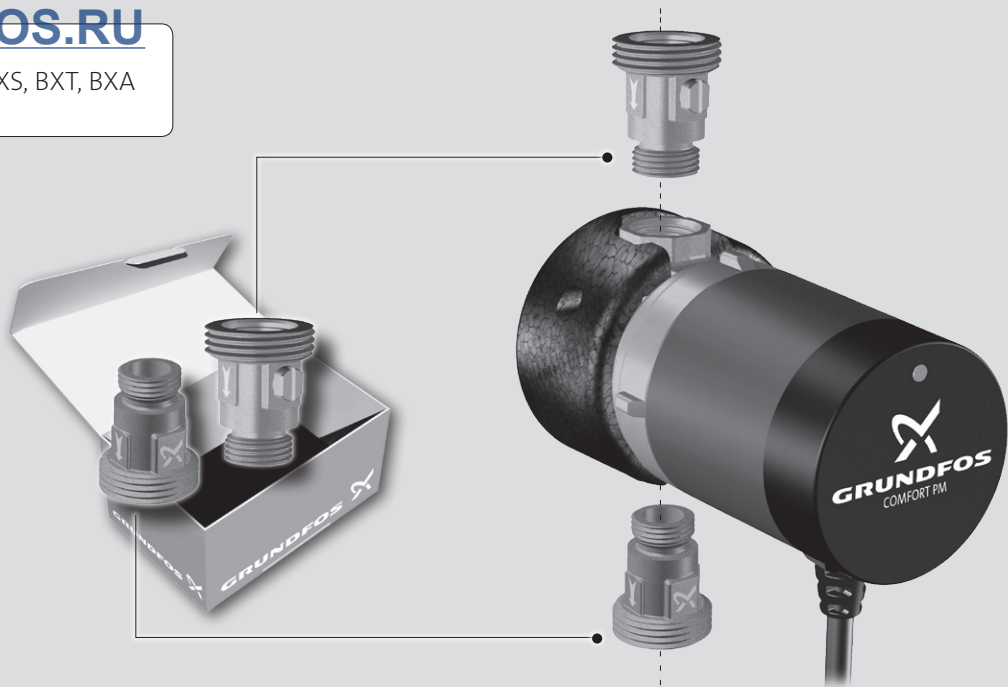
Max. 95% RH
IP44

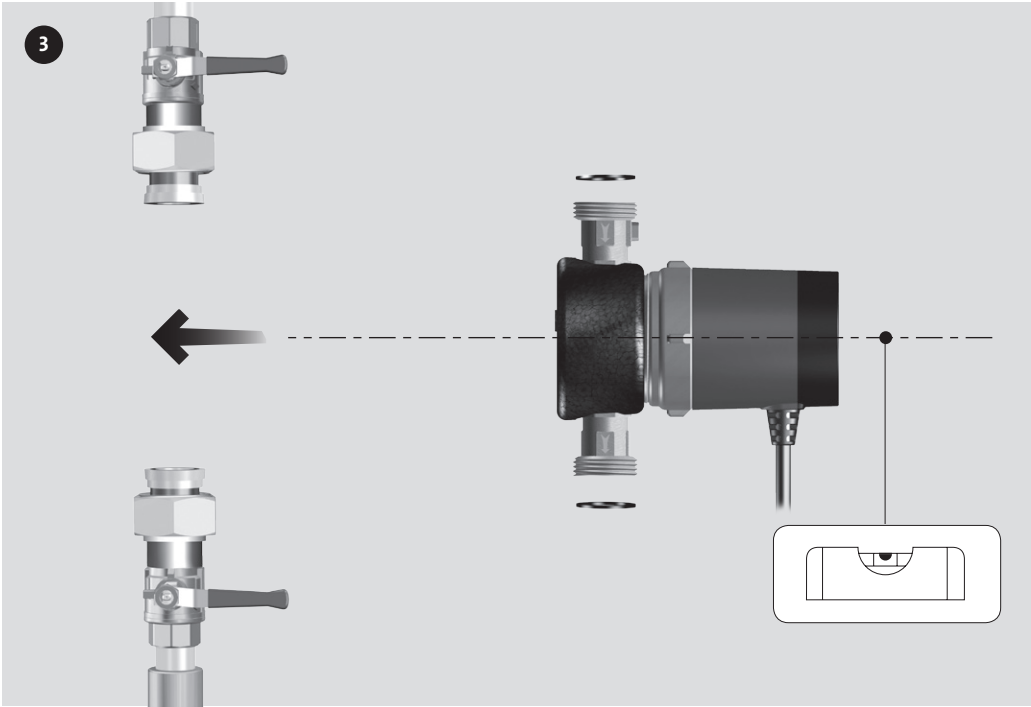


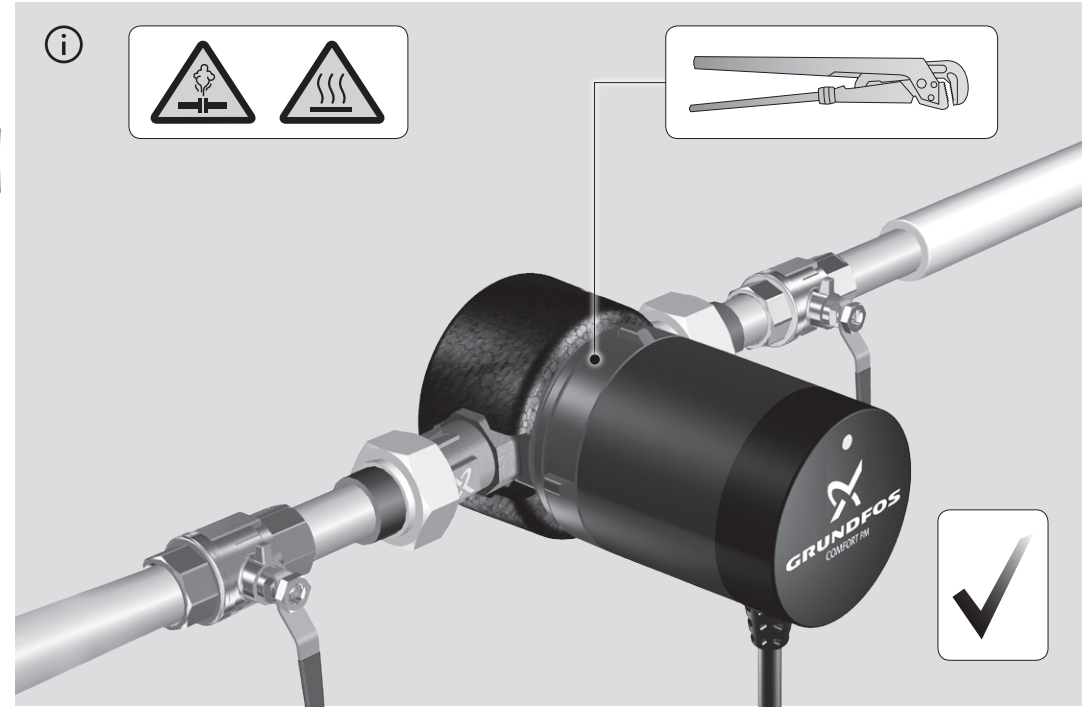
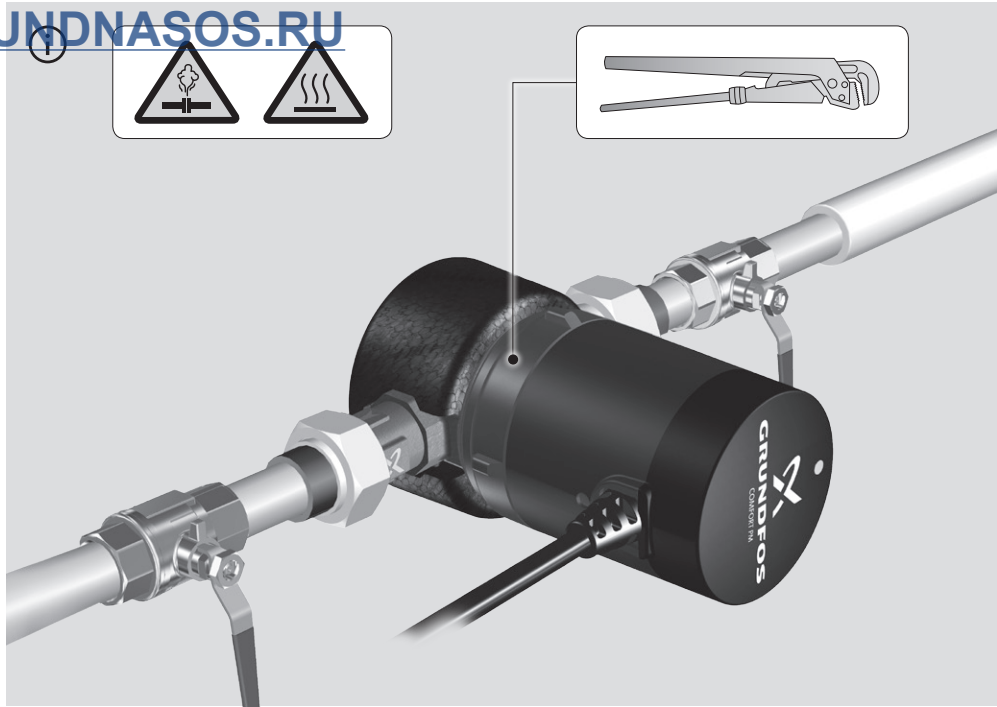
B, BS, BT, BA, BX, BXS, BXT, BXA
(B5, BN5, BU, T BN5, A B5, A BN5, A BU)



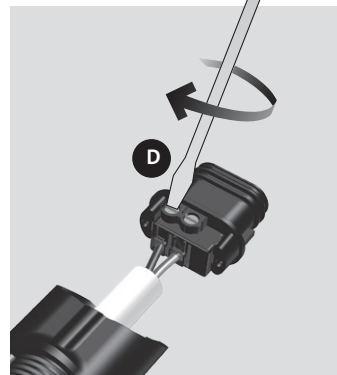
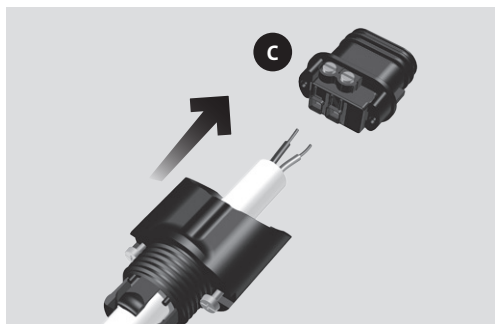
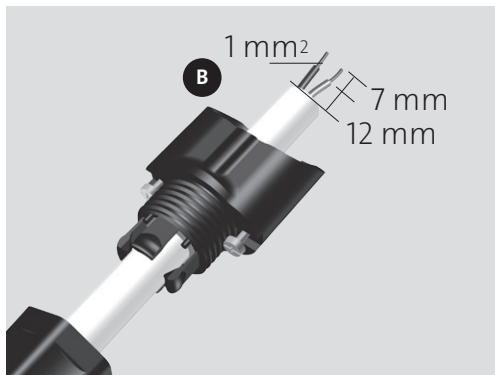
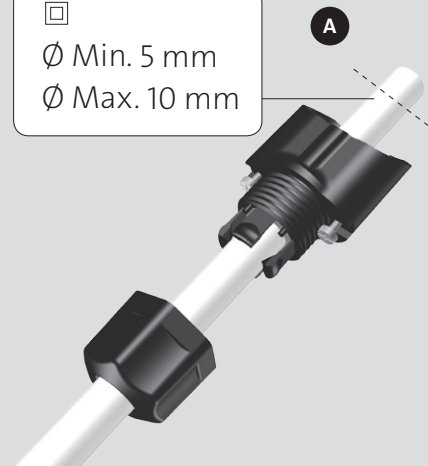
BX, BXS, BXT, BXA







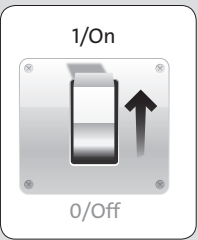
☐
Ø Min. 5 mm
Ø Max. 10 mm



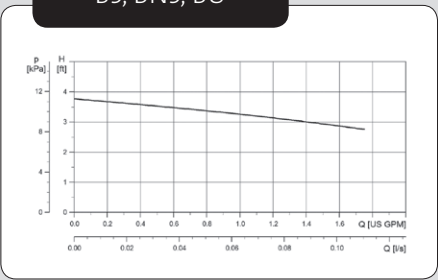
5A

B, BX
(B5, BN5, BU)

1x 115/230 V+ -10%
~50/60 Hz □



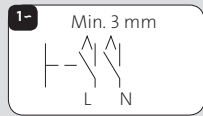
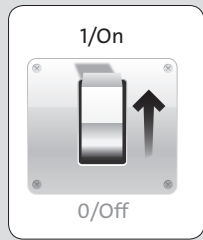
B5, BN5, BU



5B

BS, BXS

1x 230 V+ -10%
~50/60 Hz □



6.3

BS, BXS

1 x 230 V + -10%
~ 50/60 Hz



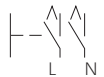
1/On



0/Off

1-

Min. 3 mm



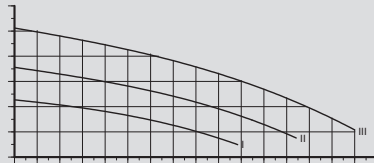
7B



8B



i



i



5C

BT, BXT
(T BN5)

1x115/230V+ -10%
~50/60 Hz □



1/On



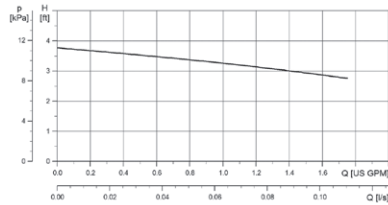
0/Off

1-

Min. 3 mm



(T BN5)



i



= 100%



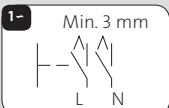
=

☀ • ☀ • ☀ = Standby

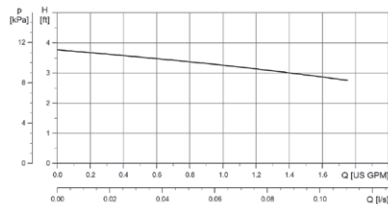
5D

BA, BXA
(A B5, A BN5, A BU)

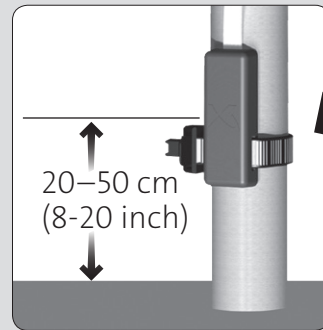
1x115/230V+ -10%
~50/60 Hz □



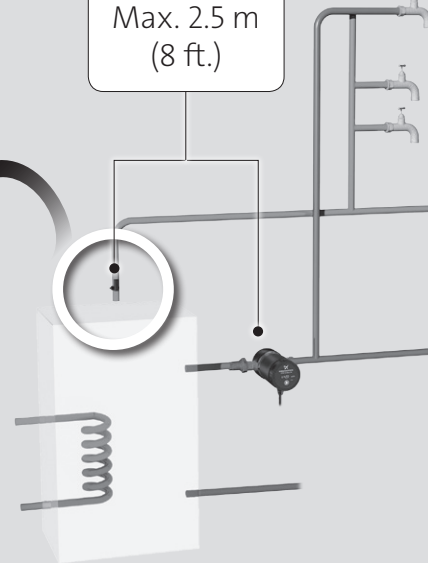
A B5, A BN5, A BU



i



Max. 2.5 m
(8 ft.)



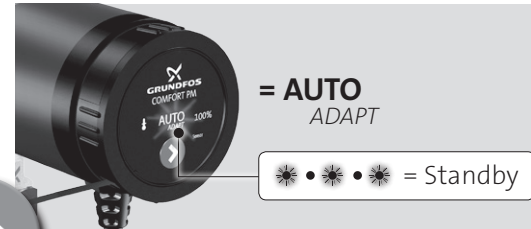
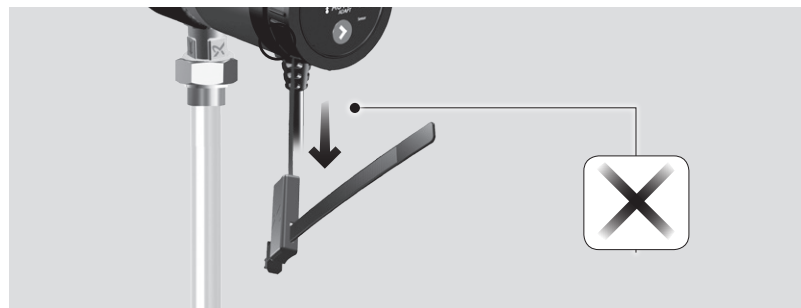
6D



i



Max. 2.5 m
(8 ft.)

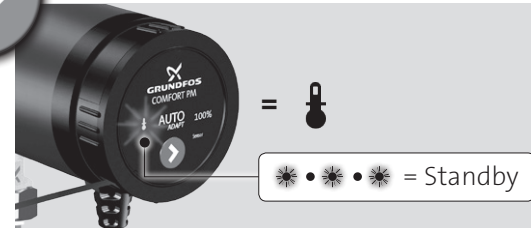


= AUTO
ADAPT

☀ • ☀ • ☀ = Standby



= 100%



= ☷

☀ • ☀ • ☀ = Standby

GRUNDFOS.RU

Installation date: _____

Installer:

GRUNDFOS Holding A/S

Poul Due Jensens Vej 7
DK-8850 Bjerringbro
Tlf.: +45-87 50 14 00
www.grundfos.com

99245820 0917

ECM: 1217804

be think innovate

GRUNDFOS 

The name Grundfos, the Grundfos logo, and the payoff be think innovate are registered trademarks owned by Grundfos Holding A/S or Grundfos A/S, Denmark. All rights reserved worldwide.