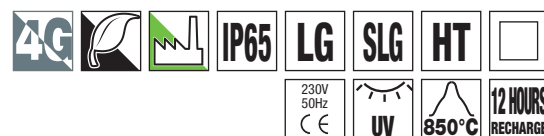


### Acciaio Emergency LED

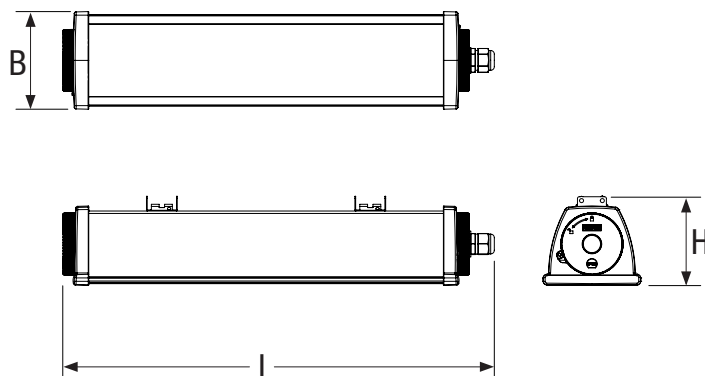
#### Emergency LED

Waterproof emergency fixture to replay the request for products with a high technological content for particularly demanding applications in high risk areas. The steel housing and glass diffuser present both excellent mechanical resistance (IK09) and resistance to aggressive chemical agents. The optic system is composed of a diffuser subdivided into 4 cells for optimal light distribution, and a special microprismatic glass with very high light transmittance. Acciaio Emergency LED is suitable for heavy-duty use in outdoor environments directly exposed to inclement weather: it is designed to resist mechanical vibrations and electromagnetic disturbances typical of industrial environments. Thanks to the coated sheet steel hook the Acciaio Emergency LED can be oriented. Suitable a heater battery accessory that permit to instal the Acciaio Emergenza LED into very high cold working temperature ambient.



#### CHARACTERISTICS

- Output** 320lm 650lm 1300lm
- Operation** Maintained (SA with Rest Mode)  
non-maintained (SE With Rest Mode)
- Type** AT, LG, LGFM
- Standard** EN 60598-1, EN 60598-2-2,  
EN 60598-2-22, EN 1838  
and UNI 11222
- Protection rating** IP66
- Protection mechanical impacts** IK09
- Autonomy** 1h, 2h, 3h
- Installation** Wall, ceiling
- Housing** Polyester powder coated  
sheet steel RAL 7035
- Head Caps** Technopolymer PC-PBT
- Louvre** Wide anti-gleair aluminium
- Diffuser** Microprismatic glass  
with high transmittance



Power W	• Dimension (mm) •		
	L	B	H
3,6,12	477	108	98,5

### Accessories

to be ordered separately

Code	Description
<b>19046</b>	Ice Pack
<b>RA02</b>	AutoRipara System NiMH 7,2v 1,7Ah

# Acciaio Emergency LED

Power W	Code	Description	Type	Battery During	Battery	Flux SE lm	Flux SA lm
3	-	ACC EM LED AT SA 3W	SE/SA	1h/2h/3h	NiMH 7.2V 1.2Ah	320	210
3	-	ACC EM LED LG SA 3W	SE/SA	1h/2h/3h	NiMH 7.2V 1.2Ah	320	210
3	-	ACC EM LED LGFM SA 3W	SE/SA	1h/2h/3h	NiMH 7.2V 1.2Ah	320	210
6 / 12*	-	ACC EM LED LG SE 6W	SE	1h/2h/3h	NiMH 7.2V 1.7Ah*	650/1300*	-
6 / 12*	-	ACC EM LED LGFM SE 6W	SE	1h/2h/3h	NiMH 7.2V 1.7Ah*	650/1300*	-
6	-	ACC EM LED SLG 6W	-	-	-	-	650
6	-	ACC EM LED HT 6W	-	-	-	-	650
6	-	ACC EM LED SLGS SE 6W	-	-	-	-	650

## CEILING MOUNTING

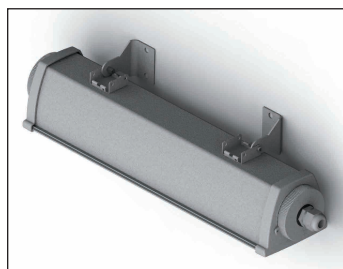


- Ceiling bracket

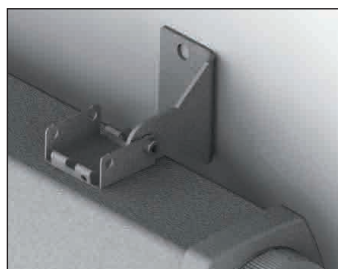


provided

## WALL MOUNTING

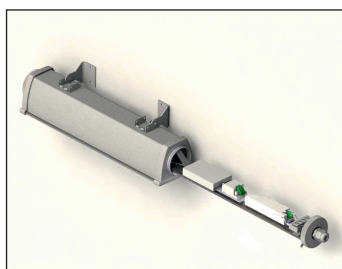


- Wall bracket



provided

## ICE PACK

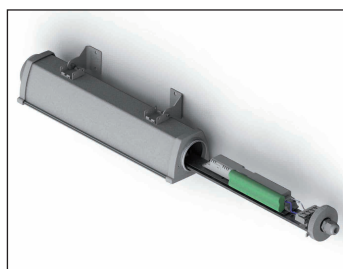


19046 Ice pack

Heater battery to keep warm the battery also in installation where there is a very high cold working temperature ambient. The temperature of the Ice Pack is controlled by electronic circuit able to keep always the right temperature of battery.

to be ordered separately

## AUTORIPARA SYSTEM



RA02 AutoRipara System NiMH 7,2v 1,7Ah



When the Autoripara battery is inserted, the LED Inverter doubles the power or the autonomy, as well as intervening in the event of a malfunction of the main battery

to be ordered separately

## Acciaio Emergency LED Polar Diagram

