

DM1131, DM1133, DM1134

AlgoRex

Manual call point

AnalogPLUS

-
- Manual call point to the fire detection system AnalogPLUS
 - Manual call point DM1131 with direct operation
 - Manual call point DM1133 with indirect operation and DM1134 with direct operation
 - Two-wire installation

Characteristics

- **Environmental**

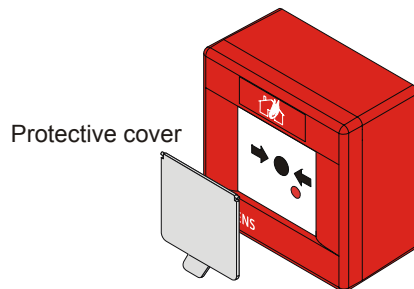
- Ecologically processing
- Recyclable materials
- Electronic and synthetic material simple separable

- **Characteristics**

- Protected electronic
- Response indicator (LED) built-in
- Integrated line separator
- Address allocation when the call point is activated for the first time

Manual call point DM1131

A protective cover FDMC291 (accessory) protects the manual call point from unintentional glass break.



- **Function**

- Direct alarm actuation by pushing in the glass plate
- By replacing the glass plate the push button is set back and the device is ready for operation again.

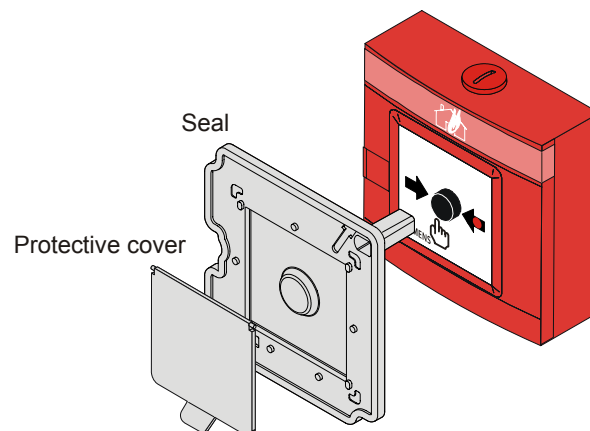
- **Application**

- For the immediate manual actuation of a fire alarm or an extinguishing process
- For indoor and outdoor application
- For surface- and recess-mounted feed lines in easily accessible places

Manual call point DM1133 / DM1134

A protective cover DMZ1197-AC (accessory) protects the manual call point from unintentional glass break.

A seal DMZ1197-AD (accessory) protects the manual call point in wet applications.



- **Function DM1133**

- Indirect alarm actuation by smashing in the glass plate and pressing the push button
- To replace the glass plate, open the housing door with the key. The push button must be set back before closing the door again.

- **Function DM1134**

- Direct alarm actuation by smashing in the glass plate
- To replace the glass plate, open the housing door with the key, upon closing the door the button is reset

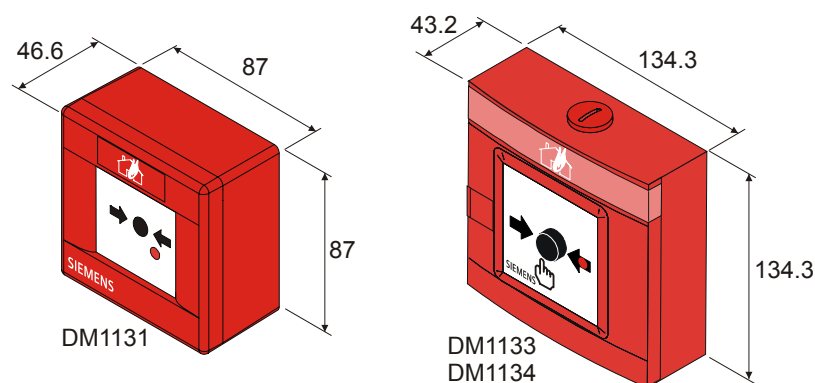
- **Application**

- For the immediate manual actuation of a fire alarm or an extinguishing process
- For indoor and outdoor application, equally suited for wet, humid and dusty areas
- For surface- and recess-mounted feed lines in easily accessible places

Installation

- For recess mounted feed lines, break out the break-out point in the housing bottom
- For surface-mounted feed lines to the DM1131, a hole must be drilled into the top or bottom of the detector housing (marking), use at max. cable gland M20
- For surface-mounted feed lines to the DM1133 / DM1134 the housing is equipped with opening at the top and bottom, with sealing studs for M20 cable glands or locking plug M20

Dimensions



Technical data

	DM1131	DM1133 / DM1134
Operating voltage	16... 28 VDC modulated	16... 28 VDC modulated
Terminal block	0.28... 1.5 mm ²	0.28... 1.5 mm ²
Operating temperature	–25... +70 °C	–25... +70 °C
Storage temperature	–30... +75 °C	–30... +75 °C
Humidity	≤ 95 % rel.	≤ 100 % rel. / 35 g/m ³ abs.
Connection factor	APMK 1	APMK 1
Color	red (RAL3000) blue (RAL5005) yellow (RAL1023) green (RAL6024)	red (RAL3000) blue (RAL5005) yellow (RAL1023) green (RAL6024)
Protection category IEC60529	IP44	IP54
– with seal DMZ1197-AD	–	IP66
Standards	EN 54-11	EN 54-11
Approvals	DM1131	DM1133 DM1134
– LPCB	126W/04	– to request
– VdS	–	G295030 G299069
System compatibility	Compatible to the AnalogPLUS fire detection system	

Details for ordering

	Type	Part no	Designation	Weight
DM1131	FDMH291-R	A5Q00002217	Housing red, with key	0.089 kg
	FDMH291-Y	A5Q00004979	Housing yellow, with key	0.089 kg
	FDMH291-B	A5Q00004980	Housing blue, with key	0.089 kg
	FDMH291-G	A5Q00004981	Housing green, with key	0.089 kg
	DMA1131	A5Q00005579	Switching unit	0.045 kg
Accessories	FDMC291	A5Q00001644	Protective cover	0.010 kg
	–	A5Q00004478	Metal screwed cable gland M20	0.039 kg
	–	A5Q00004479	Back nut M20	0.006 kg
Spare parts	FDMG291	A5Q00002122	Glass	0.006 kg
	FDMK291	A5Q00001643	Key with cover	0.030 kg
DM1133 / DM1134	DM1133	5590270001	Manual call point complete, red	0.323 kg
	DMA1192-AA	5222870001	Housing red, with glass and key	0.256 kg
	DMA1192-AB	5464250001	Housing blue, with glass and key	0.256 kg
	DMA1192-AC	5464120001	Housing yellow, with glass and key	0.256 kg
	DMA1192-AD	55090190001	Housing green, with glass and key	0.256 kg
	DMA1133D	A5Q00004471	Switching unit to DM1133	0.067 kg
	DMA1134D	A5Q00005926	Switching unit to DM1134	0.070 kg
	Accessories	DMZ1197-AC	5223550001	Protective cover
DMZ1197-AD		5470680001	Seal for wet areas	0.023 kg
–		A5Q00004478	Metal screwed cable gland M20	0.039 kg
–		A5Q00006735	Locking plug M20, red	0.007 kg
–		5304150001	Plate (fire brigade / fire detector)	0.007 kg
Spare parts	DMZ1196-AC	4942050001	Glass	0.016 kg
	DMZ1195	4851910001	Key	0.003 kg