

MODEL : DDL-9000C-S

List No : 1689-01

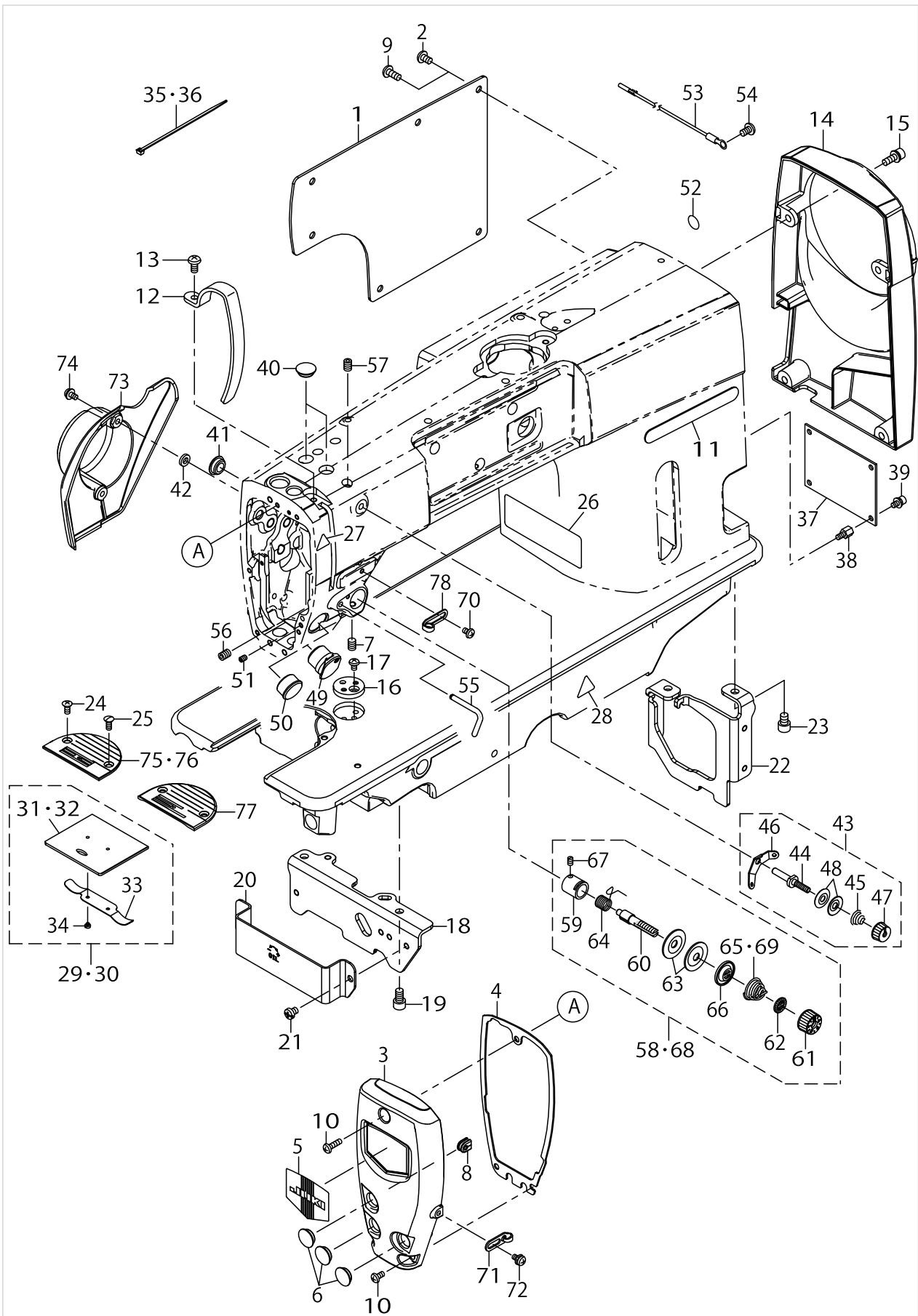
PARTS LIST

Published:05/12/2017

CONTENTS

MACHINE FRAME & MISCELLANEOUS COVER COMPONENTS	1
BOBBIN WINDER COMPONENTS.....	5
MAIN SHAFT & NEEDLE BAR COMPONENTS.....	7
HAND LIFTER & TENSION RELEASE COMPONENTS.....	11
FEED ADJUST MECHANISM COMPONENTS	15
VERTICAL FEED COMPONENTS	19
HOOK DRIVING COMPONENTS.....	23
THREAD TRIMMER COMPONENTS	25
OIL LUBRICATION COMPONENTS	31
AUTOMATIC REVERSE FEED COMPONENTS.....	35
OPERATION PANEL COMPONENTS	37
THREAD STAND COMPONENTS.....	39
UNDER COVER COMPONENTS	41
ACCESSORIE PART COMPONENTS	43
EXCLUSIVE PARTS DDL-9000C-SSH.....	45
TABLE & STAND COMPONENTS.....	47
SPECIAL ORDER PARTS	49
LIST FOR INFORMATION OF CHANGE.....	51
HOW TO MAKE USE OF THIS PARTS LIST	52

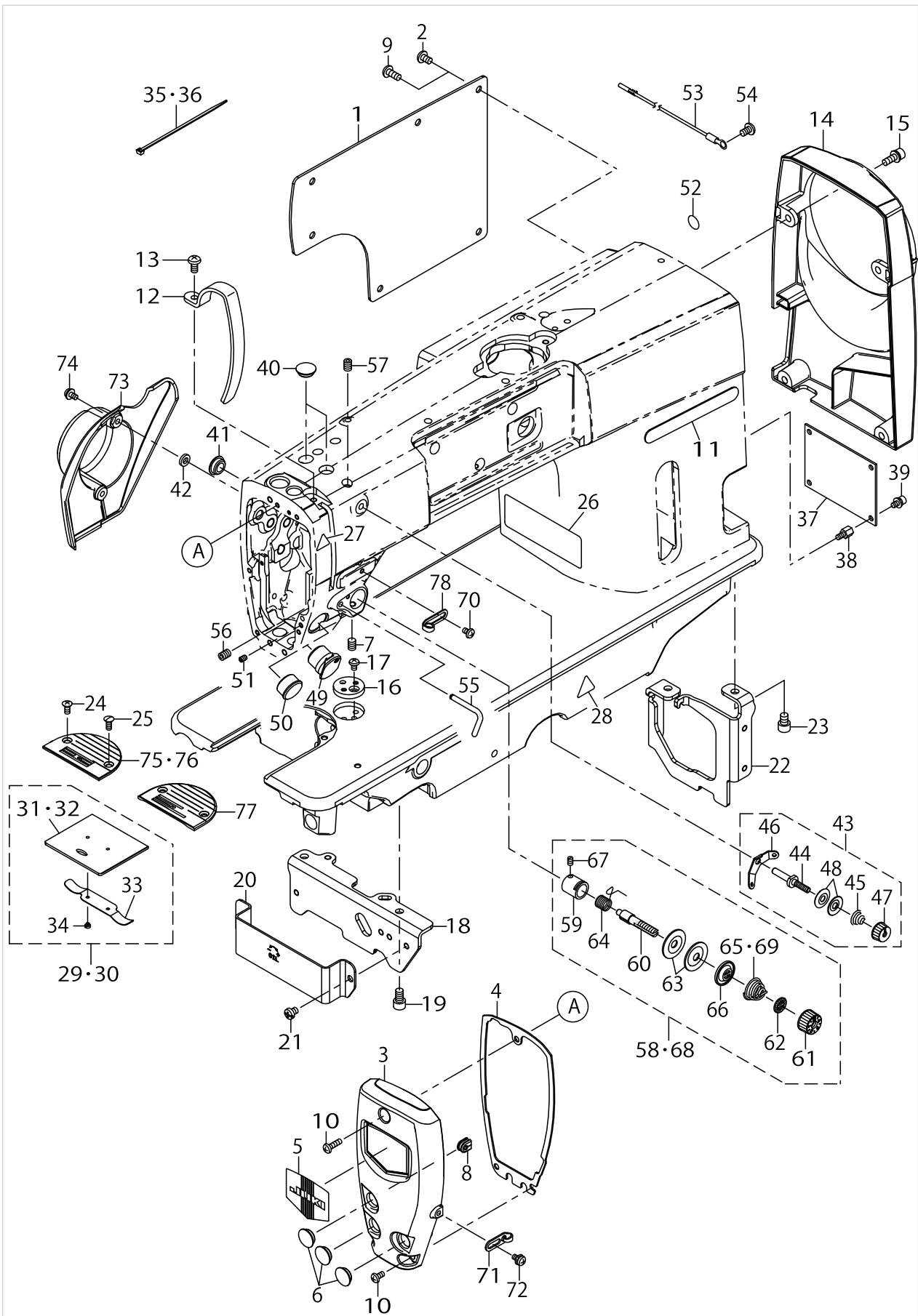
MACHINE FRAME & MISCELLANEOUS COVER COMPONENTS



MACHINE FRAME & MISCELLANEOUS COVER COMPONENTS

No.	Supply Code	Parts No.	Replacement	Parts name	Remarks	Choice	Step	Level	Cons	Qty	Rep. QTY
1		40172362		SIDE_PLATE						1	
2		SM4050855SP		SCREW						6	
3		40172371		FACE_COVER						1	
4		40172373		FACE_COVER_PACKING						1	
5		40172374		FACE_COVER_PLATE						1	
6		TA1250406R0		RUBBER PLUG D=12.5 L=4						3	
7		SM80608A2TP		SCREW M6 L=8						1	
8		40174368		FACE_COVER_RUBBER						1	
9		SM4051255SP		SCREW M5 L=12	FOR AK-154					6	
10		SM4041455SN		SCREW M4 L=14						3	
11		40172375		EMBLEM_JUKI_SMART_SOLUTIONS						1	
12		40172376		THREAD_TAKE_UP_COVER						1	
13		SM4051055SP		SCREW						1	
14		40172366		PULLEY_COVER						1	
15		SL6051492TN		BOLT						4	
16		40035589		RULER PLATE						1	
17		SM4040855SP		SCREW						1	
18		40172391		BED_BRACKET_A						1	
19		SM6060802TP		SCREW M6 L=8						2	
20		40174305		SAFETY_GUIDE						1	
21		SM4050655SP		SCREW M5 L=6						2	
22		40172392		BED_BRACKET_B						1	
23		SM6060802TP		SCREW M6 L=8						2	
24		SM2040955TP		SCREW M4 L=8.5						1	
25		SM2040750TP		SCREW M4 L=7.4						1	
26		40102261		SAFETY_LABEL_S						1	
27		CM300200001		FINGER INJURY CAUTION LABEL (16)						1	
28		CM300200003		FINGER INJURY CAUTION LABEL (31.5)						1	
29		40172369		SLIDE_PLATE_B_ASM						1	
30		40172367		SLIDE_PLATE_A_ASM	FOR S_EE					1	
31		40172370		SLIDE_PLATE_B				*		1	
32		40172368		SLIDE_PLATE_A				*		1	
33		22901300		SLIDE PLATE SPRING				*		1	
34		SS6060210SP		SCREW 3/32-56 L=1.9				*		2	
35		KX000000230		RELEASIBLE CABLE TIE						1	
36		EA9500B0100		CABLE BAND						7	
37		40172390		INT PCB ASSY						1	
38		HX00339000E		SPACER						4	
39		SL6040892TN		BOLT						4	
40		TA1250406R0		RUBBER PLUG D=12.5 L=4						2	
41		TA1250406R0		RUBBER PLUG D=12.5 L=4						1	
42		13302708		RUBBER_WASHER						2	
43		22963458		THREAD TENSION ASM.						1	
44		22945414		THREAD TENSION POST				*		1	
45	R	22963409	22963458	THREAD TENSION SPRING				*		1	1.00

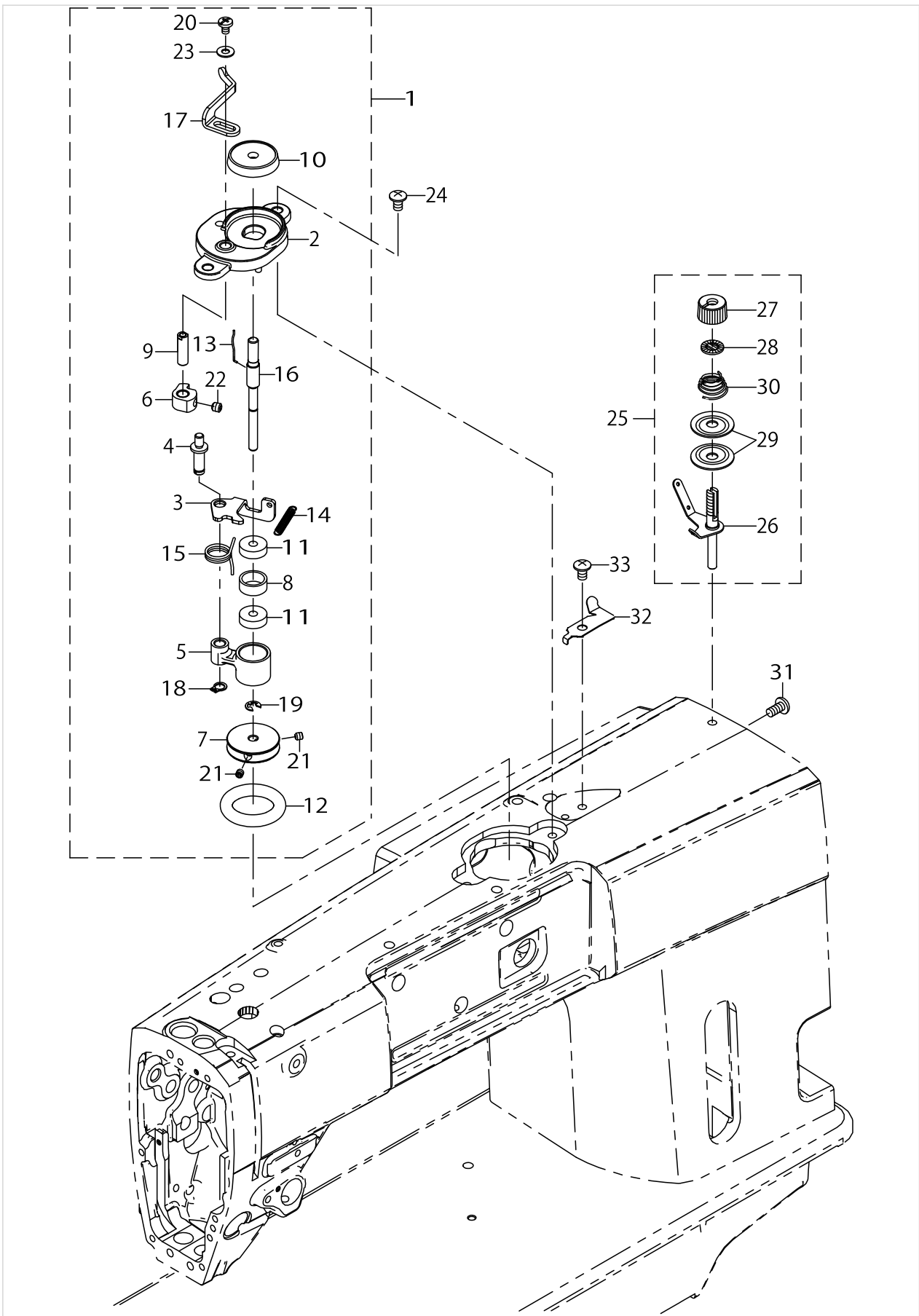
MACHINE FRAME & MISCELLANEOUS COVER COMPONENTS



MACHINE FRAME & MISCELLANEOUS COVER COMPONENTS

No.	Supply Code	Parts No.	Replacement	Parts name	Remarks	Choice	Step	Level	Cons	Qty	Rep. QTY
46	R	22945604	22963458	THREAD TENSION GUIDE		A	DDL8700H--7/8700J--7/9000B, DLN6390-7	*		1	1.00
46	R	22945604	22945463	THREAD TENSION GUIDE		B	DDL8700-7 and so on	*		1	1.00
47		22945703		THREAD TENSION NUT				*		1	
48		22945802		THREAD TENSION DISK				*		2	
49		40174373		THREAD NIPPER SOLENOID	FOR NB					1	
50		40174392		ARM_CAP	FOR 0B					1	
51		SM8040612TP		SCREW M4 L=6						1	
52		22901805		GROUND MARK						1	
53		40174385		GROUND WIRE ASM.						1	
54		SM4050655SP		SCREW M5 L=6						1	
55		40052933		ARMTHREADGUIDE C						1	
56		SM80608A2TP		SCREW M6 L=8						1	
57		SM80608A2TP		SCREW M6 L=8						1	
58		40174575		THREAD_TENSION_DISK_ASM.						1	
59		40086640		TENSION_POST_SOCKET_ASM.				*		1	
60		22921209		THREAD TENSION POST				*		1	
61		23626005		THREAD TENSION NUT				*		1	
62		22921407		ROTATION STOPPER				*		1	
63		22921506		THREAD TENSION DISK				*		2	
64		22921605		THREAD TAKE-UP SPRING				*	☆	1	
65		40112420		THREAD TENSION SPRING M				*		1	
66		22921803		DISK STOPPER				*		1	
67		SS8090670SP		SCREW 9/64-40 L=5.5				*		1	
68		40086639		THREAD_TENSION_DISK_ASM.	FOR S_EE					1	
69		22921704		THREAD TENSION SPRING	FOR S_EE			*		1	
70		SM5040655SN		SCREW						1	
71		40009037		TAKE-UP THREAD GUIDE						1	
72		SL4040881SC		SCREW M4 L=8						1	
73		40172384		AT_COVER						1	
74		SL4041281SC		SCREW M4X0.7 L=12						2	
75		B1109552000		THROAT PLATE	FOR S_GG					1	
76		B1109012I0B		THROAT PLATE (I)	FOR S_AA					1	
77		11028008		THROAT PLATE	FOR S_EE					1	
78		23626104		ARMTHREADGUIDEA						1	

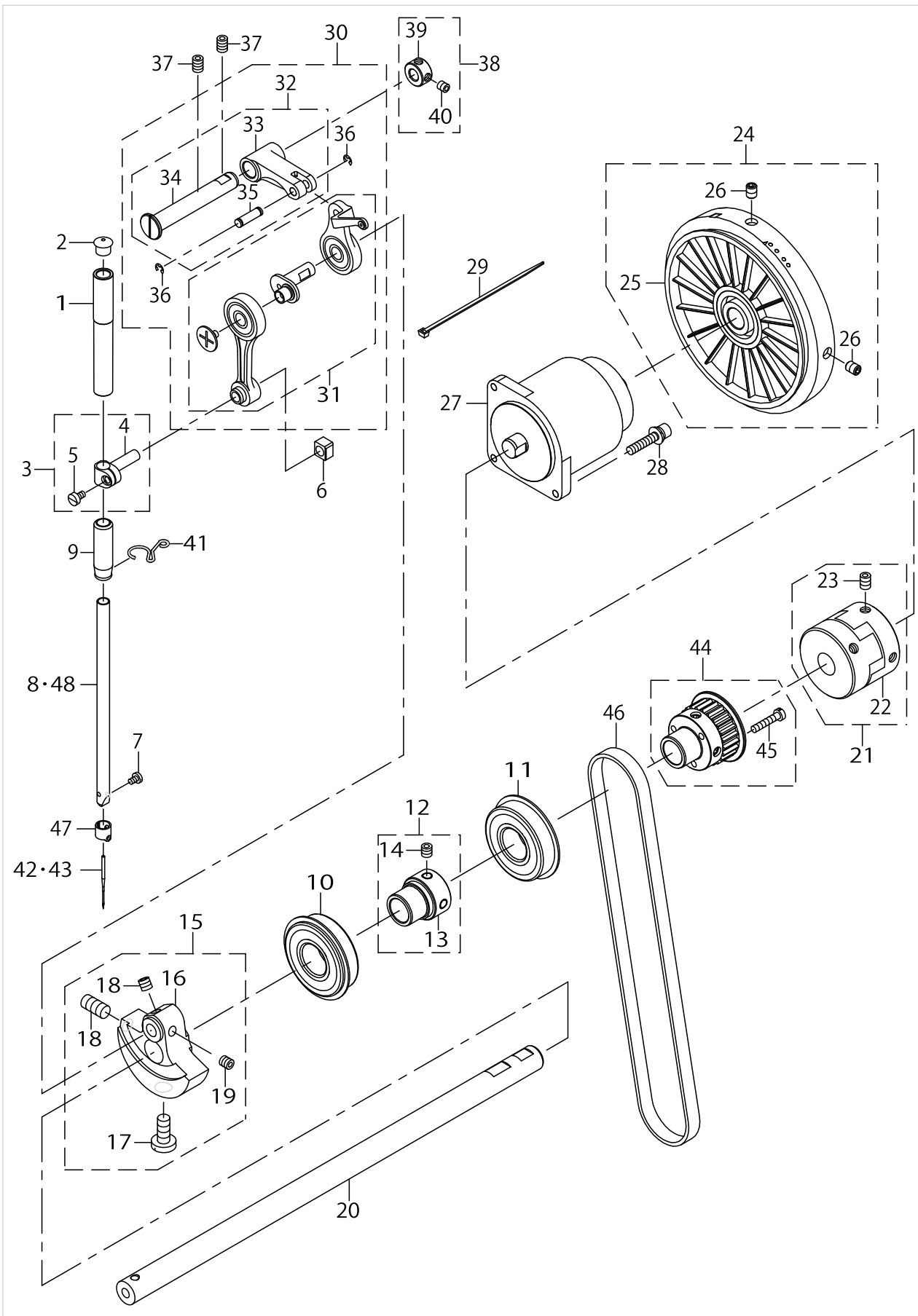
BOBBIN WINDER COMPONENTS



BOBBIN WINDER COMPONENTS

No.	Supply Code	Parts No.	Replacement	Parts name	Remarks	Choice	Step	Level	Cons	Qty	Rep. QTY
1		40172380		BOBBIN_WINDER_UNIT						1	
2		40172381		BTW_BASE				*		1	
3		26260208		BTW_CAM_PLATE				*		1	
4		26260307		BTW_BASE_SHAFT				*		1	
5		26260406		BTW_SHAFT_BASE				*		1	
6		26260505		BTW_CAM_LEVER				*		1	
7		26260604		BTW_WHEEL				*		1	
8	R	26260802	26260000	BTW_BEARING_SPACER				*		1	1.00
9		40172383		BTW_LEVER_SHAFT				*		1	
10		26261206		BTW_SPACER				*		1	
11	R	26261305	26260000	BTW_BEARING				*		2	1.00
12		26261503		BTW_WHEEL_RUBBER				*	☆	1	
13		26261602		BOBBIN_SPRING				*	☆	1	
14		26261701		BTW_SPRING				*		1	
15		40011144		BTW_TORSION_SPRING				*		1	
16		40172382		BTW_SHAFT				*		1	
17		40172417		BTW_LEVER				*		1	
18		RC0560711KP		C-RING 6(5.6)				*		1	
19		RE0400000K0		E-RING 4				*		1	
20		SM5040655SN		SCREW				*		1	
21		SM8040412TP		SET SCREW M4 L=4				*		2	
22		SM8050502TP		SCREW M5 L=5				*		1	
23		WP0450826SC		WASHER 4.5X10X0.8				*		1	
24		SM0050801SC		SCREW						2	
25		40088958		BOBBIN THREAD TENSION ASM.						1	
26		40088959		BOBBIN THREAD TENSION ROD ASM.				*		1	
27		22921308		THREAD TENSION NUT				*		1	
28		22921407		ROTATION STOPPER				*		1	
29		22921506		THREAD TENSION DISK				*		2	
30		22921704		THREAD TENSION SPRING				*		1	
31		SM4051055SP		SCREW						1	
32		40037008		THREAD_CUTTER						1	
33		SM0050801SC		SCREW						1	

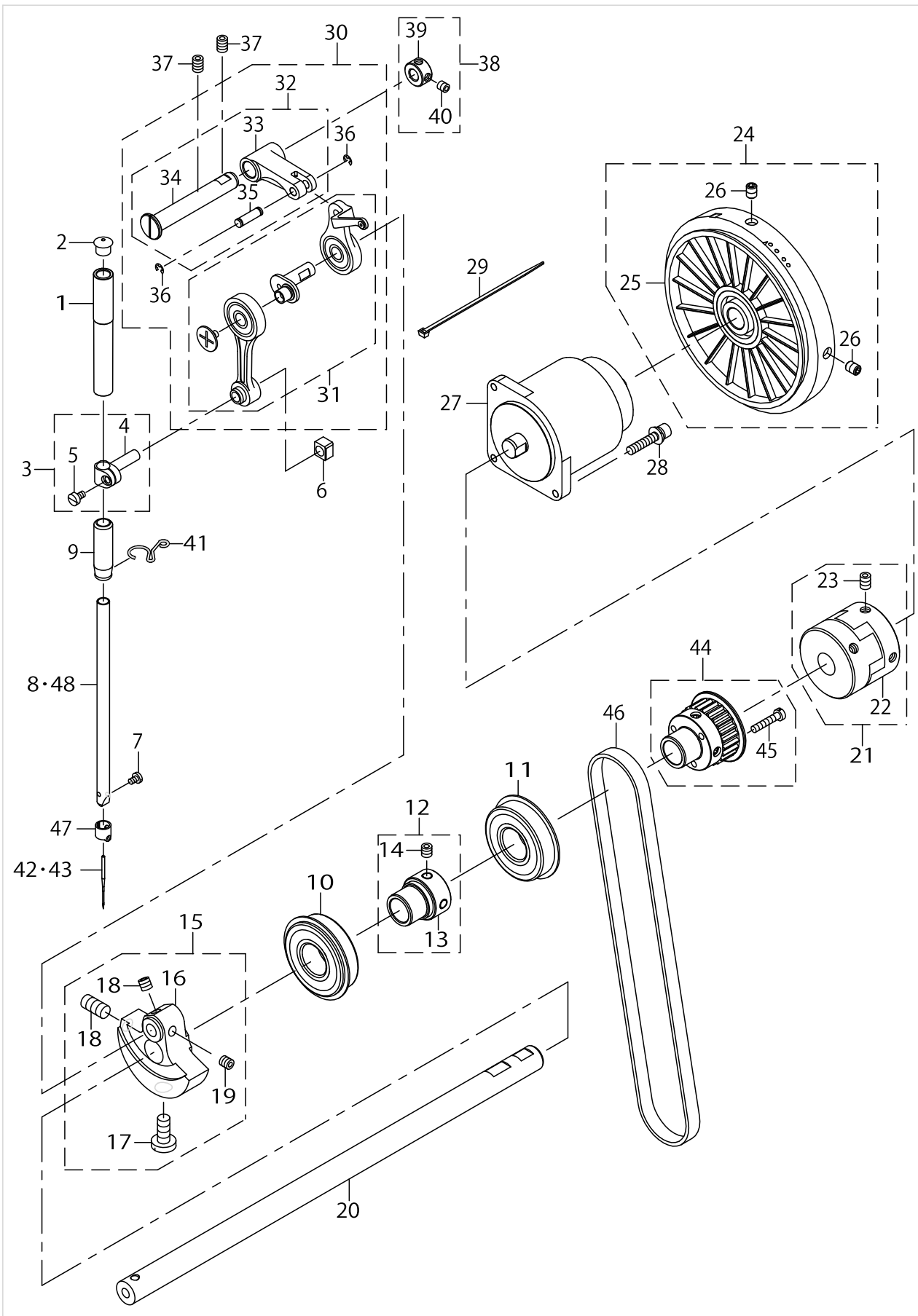
MAIN SHAFT & NEEDLE BAR COMPONENTS



MAIN SHAFT & NEEDLE BAR COMPONENTS

No.	Supply Code	Parts No.	Replacement	Parts name	Remarks	Choice	Step	Level	Cons	Qty	Rep. QTY
1		40172399		NEEDLE_BAR_BUSHING_UPPER						1	
2		22901409		NEEDLE BAR UPPER BUSH CAP						1	
3		22906457		NEEDLE BAR HOLDER ASM.						1	
4	R	22906408	22906457	NEEDLERODHOLDER				*		1	1.00
5		SS6090670TP		SCREW 9/64-40 L=6				*		1	
6		40090058		SLIDE BLOCK						1	
7		SS7080510TP		SCREW 1/8-44 L=4.5					☆	1	
8		40086602		NEEDLE_BAR_D_(A)	FOR GG/EE/AA					1	
9		40086605		NEEDLE_BAR_LOWER_METAL_MD						1	
10		SB120002700		BEARING						1	
11		SB120002700		BEARING						1	
12		40044857		FRONT BEARING SUPPORT ASM.						1	
13		23605207		MAIN SHAFT BEARING SUPPORT				*		1	
14		SM80608A2TP		SCREW M6 L=8				*		2	
15		40135904		ASSY_COUNTER WEIGHT						1	
16	R	40135916	40135904	COUNTER WEIGHT				*		1	1.00
17		40004171		COUNTER_WEIGHT_SCREW				*		1	
18		SM8081652TP		SCREW M8 L=16				*		1	
19		SM80606A2TP		SCREW M6 L=6				*		2	
20		40086597		MAIN_SHAFT						1	
21		40172398		COUPLING_ASM.						1	
22		40172393		COUPLING				*		1	
23		SM80608A2TP		SCREW M6 L=8				*		4	
24		40172418		HAND_WHEEL_ASM.						1	
25		40172377		HAND_WHEEL				*		1	
26		SM80608A2TP		SCREW M6 L=8				*		2	
27		40172146		AC_SERVO_MOTOR						1	
28		SL6052592TN		BOLT						3	
29		EA9500B0100		CABLE BAND						2	
30		40174341		THREAD_TAKE_UP_COMP.						1	
31	R	40135905	40174341	THREAD_TAKE_UP_ASM_C				*		1	1.00
32		40174342		TAKE_UP_CRANK_ASM.				*		1	
33		40174343		TAKE_UP_CRANK				*		1	
34		40174344		TAKE_UP_CRANK_SHAFT				*		1	
35		40135907		THREAD_TAKE_UP_PIN				*		1	
36		RE0300000K0		E-RING 3				*		2	
37		SM80608A2TP		SCREW M6 L=8						2	
38		40032269		THRUST COLLAR						1	
39		CS1000881TP		THRUST COLLAR				*		1	
40		SM80506A2TP		SCREW M5 L=6				*		2	
41		40174349		NEEDLE BAR THREAD GUIDE						1	
42		MDB100B1100		NEEDLE DBX1 #11					☆	1	
43		MDB100B1400		NEEDLE DBX1 #14	FOR S_GG				☆	1	
44		40141440		UPPER SPROCKET ASM.						1	
45		SM6042000SP		SCREW				*		3	
46		40086731		TIMING_BELT_550						1	

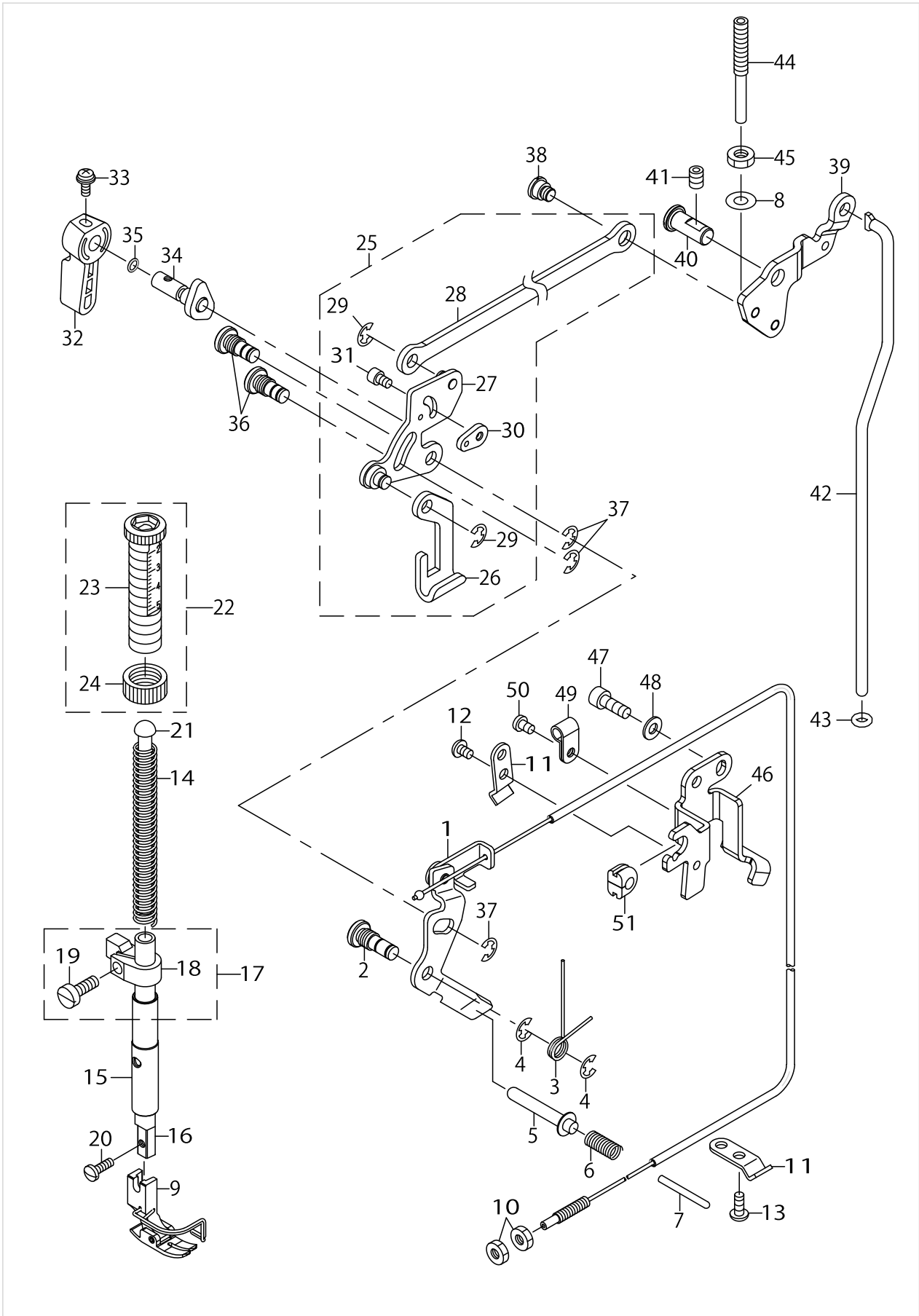
MAIN SHAFT & NEEDLE BAR COMPONENTS



MAIN SHAFT & NEEDLE BAR COMPONENTS

No.	Supply Code	Parts No.	Replacement	Parts name	Remarks	Choice	Step	Level	Cons	Qty	Rep. QTY
47		22906309		NEEDLE BAR THREAD GUIDE						1	
48		40086604		NEEDLE_BAR_D_(B)	FOR BB					1	

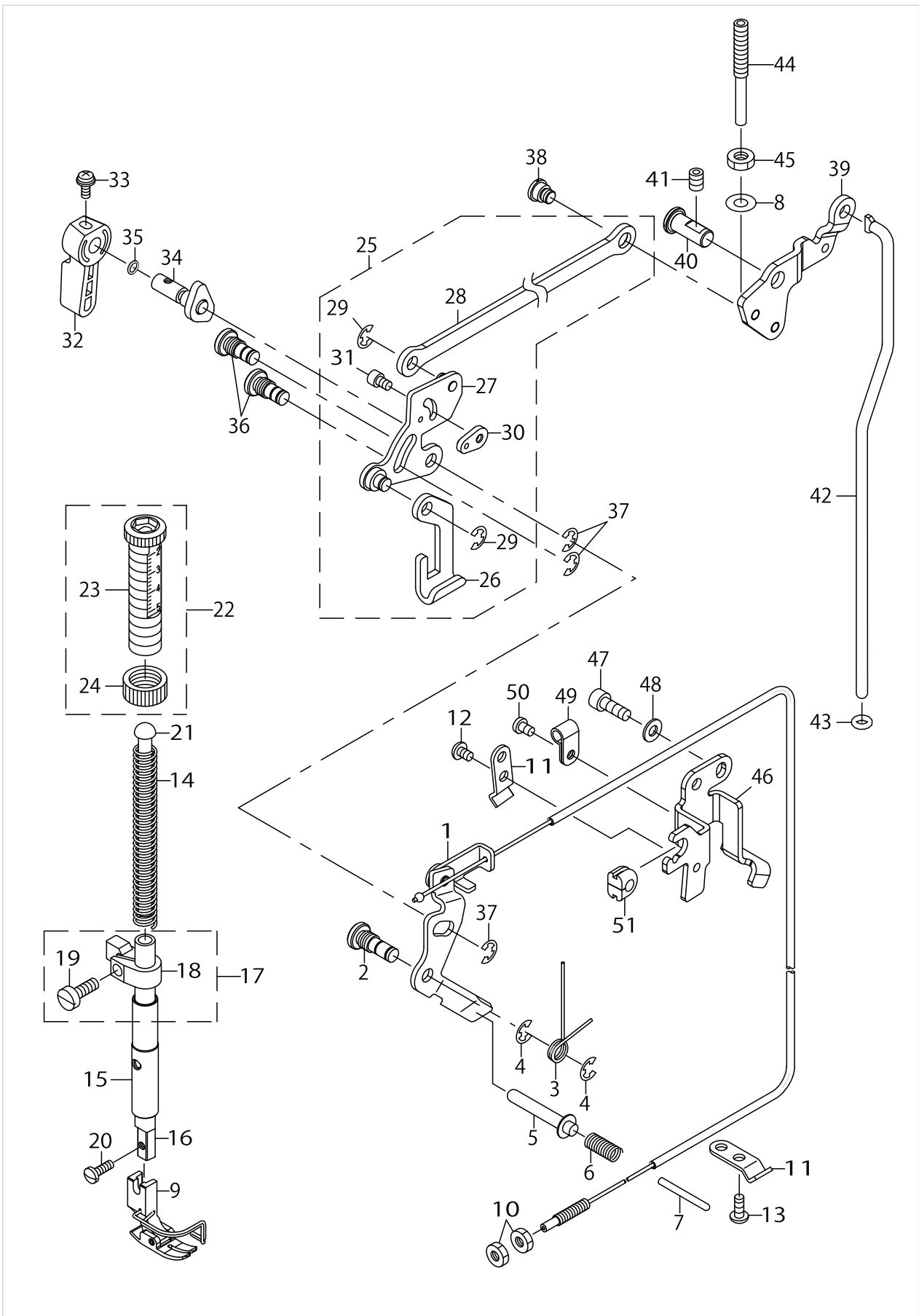
HAND LIFTER & TENSION RELEASE COMPONENTS



HAND LIFTER & TENSION RELEASE COMPONENTS

No.	Supply Code	Parts No.	Replacement	Parts name	Remarks	Choice	Step	Level	Cons	Qty	Rep. QTY
1		40174389		TENSION_RELEASE_WIRE_ASM.						1	
2		40050582		TENSION RELEASE SHAFT						1	
3		23626807		TENSION RELEASE RETURN SPRING						1	
4		RE0500000K0		E-RING						2	
5		22920300		THREAD RELEASE SUPPORTING PIN						1	
6		22920409		THREAD RELEASE PIN SPRING						1	
7		B3118552F00		TENSION RELEASING PIN						1	
8		WP0621016SD		WASHER 6.2X13X1						1	
9		B15240120BA		PRESSER FOOT ASM.						1	
10		NS6620310SP		NUT 3/16-32						2	
11		22944508		WIRE PRESSER A						2	
12		SM4040655SP		SCREW M4 L=6						1	
13		SM4041055SP		SCREW						1	
14		22907406		PRESSER SPRING						1	
15		40136700		PRESSER_BAR_BUSHING						1	
16		23610207		PRESSER BAR						1	
17		40086606		PRESSER_BAR_GUI-DE_BRACKET_ASM.						1	
18		40086607		PRESSER_BAR_GUIDE_BRACKET				*		1	
19		SM6051400SP		SCREW				*		1	
20		SS7091110TP		SCREW 9/64-40 L=10.5					☆	1	
21		23610306		PRESSER GUIDE BAR						1	
22		40037359		PRESSER SPRING REGURATOR ASM.						1	
23	R	40037141	40037359	PRESSER SPRING REGULATOR				*		1	1.00
24	R	40037144	40037359	PRESSER SPRING REGULATOR NUT				*		1	1.00
25		40174387		LIFT_LINK_ASSY						1	
26	R	22908008	22908354	LIFTING PLATE		A	DDL-5550 5550N 555- ON-7 5556- N-7 5600NL-7	*		1	1.00
26	R	22908008	23609357	LIFTING PLATE		B	DDL-9000A 9000B	*		1	1.00
26	R	22908008	40057398	LIFTING PLATE		C	LH-3500	*		1	1.00
26	R	22908008	40174387	LIFTING PLATE		D	DDL-9000C	*		1	1.00
27	R	23609456	23609357	LIFTING LINK COMPL.				*		1	1.00
28		40174377		LIFT_LINK_PLATE				*		1	
29		RE0500000K0		E-RING				*		1	
30		23609605		PLATE				*		1	
31		SM6040602TP		SCREW M4X0.7 L=6				*		1	
32		22907802		HAND LIFTER						1	
33		B1521555000		SCREW						1	
34		22908552		HAND LIFTER CAM ASM.						1	
35		RO037180100		RUBBER RING						1	
36		40050583		LINK SHAFT						2	
37		RE0500000K0		E-RING						3	
38		40174388		HINGE_SCREW						1	
39		40172401		AK_LEVER						1	
40		40172402		PRESSER_LEVER_SHAFT						1	

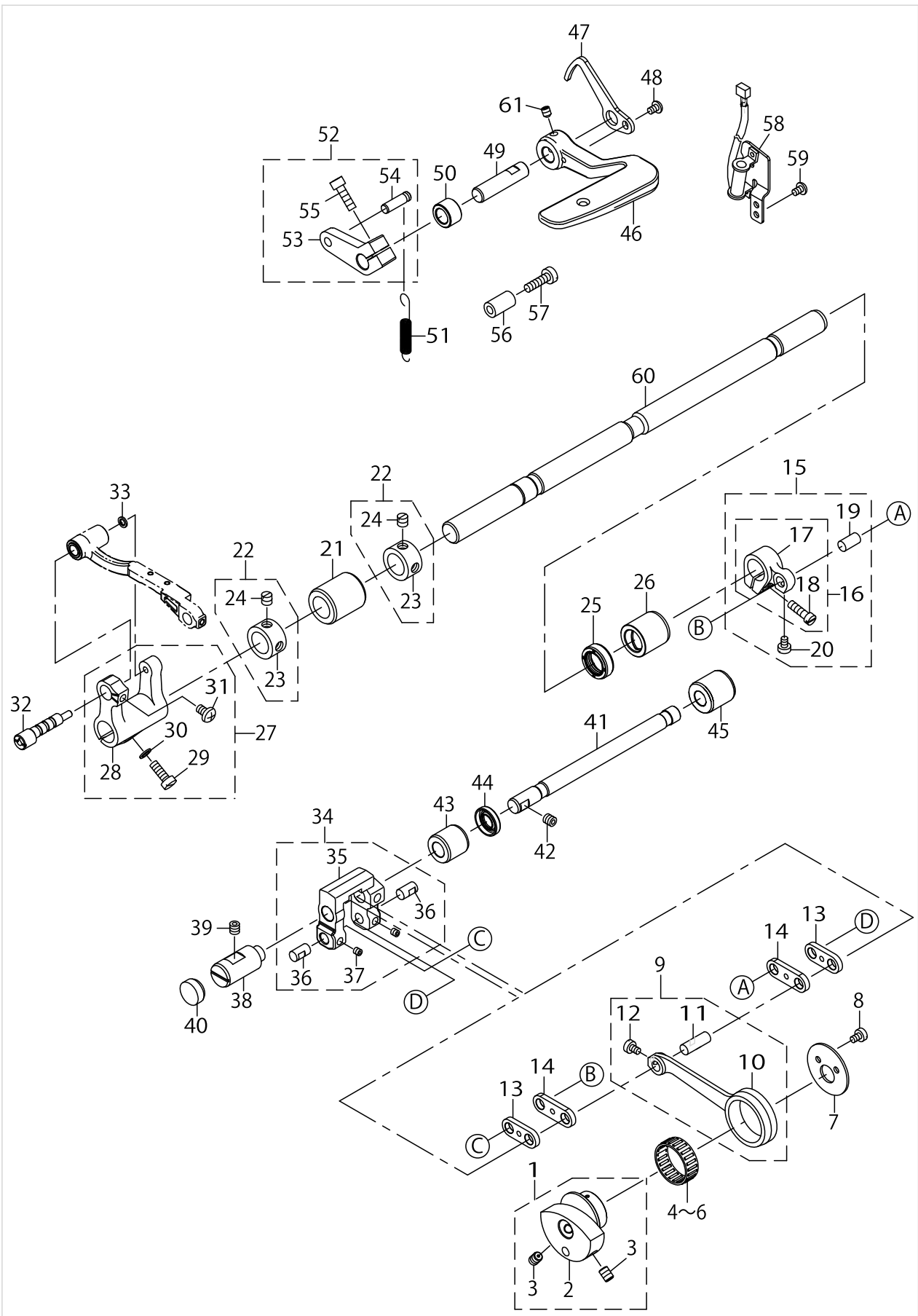
HAND LIFTER & TENSION RELEASE COMPONENTS



HAND LIFTER & TENSION RELEASE COMPONENTS

No.	Supply Code	Parts No.	Replacement	Parts name	Remarks	Choice	Step	Level	Cons	Qty	Rep. QTY
41		SM80608A2TP		SCREW M6 L=8						1	
42		40172403		CONNECTING ROD						1	
43		RO044240100		RUBBER RING						1	
44		40036706		ADJUSTING SCREW						1	
45	R	NM6060003SE	NM6060003SC	NUT FOR BRACKET						1	1.00
46		40174573		CABLE_CLAMP_PLATE						1	
47		SM6051402TP		SCREW M5X0.8 L=14						2	
48		WP0501016SD		WASHER 5X10.5X1						2	
49		HX00150000A		CABLE CLAMP						1	
50		SM4040601SC		SCREW M4X0.7 L=6						1	
51		GPK26023000		BUSH A						1	

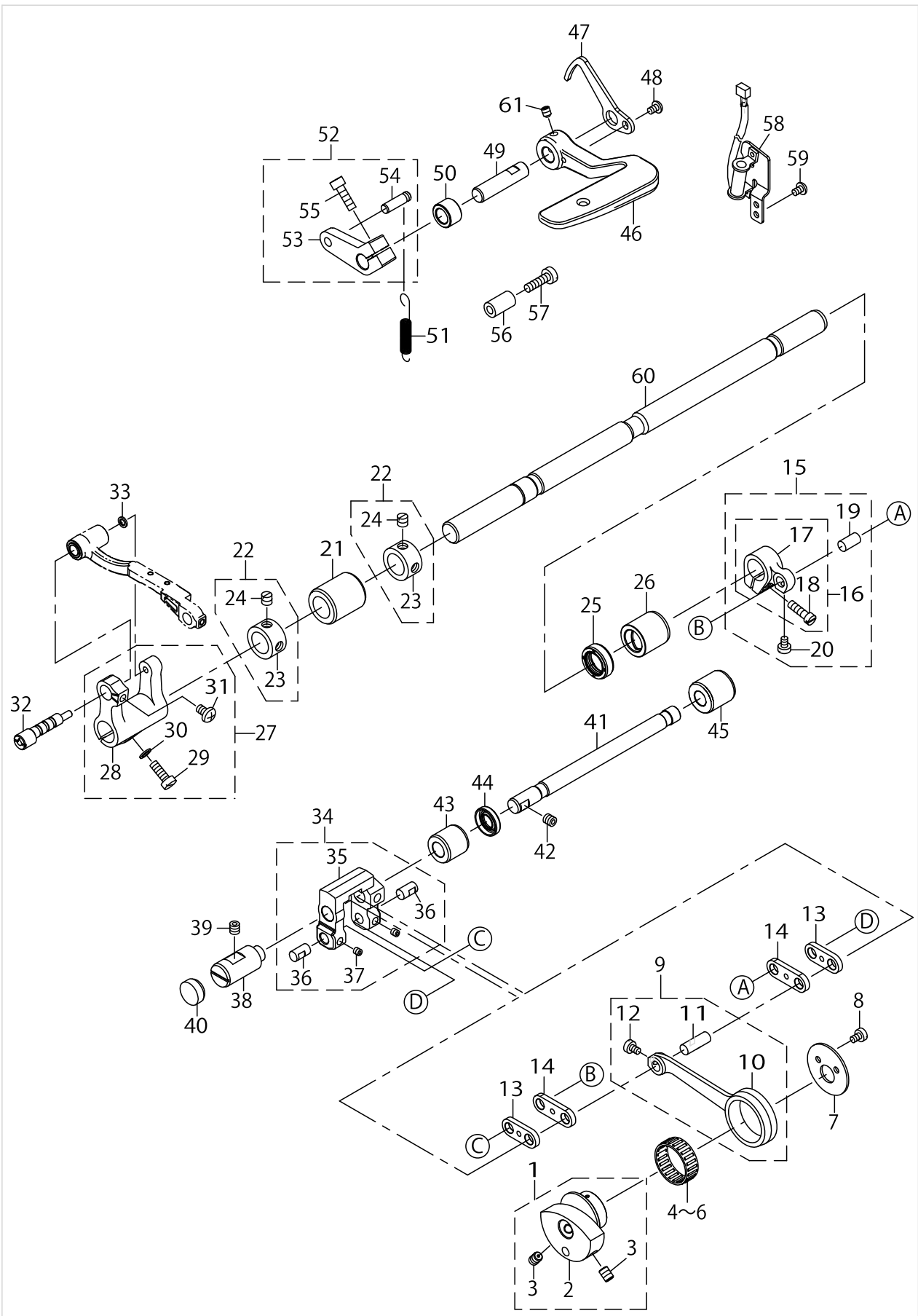
FEED ADJUST MECHANISM COMPONENTS



FEED ADJUST MECHANISM COMPONENTS

No.	Supply Code	Parts No.	Replacement	Parts name	Remarks	Choice	Step	Level	Cons	Qty	Rep. QTY
1		40174296		ASSY_FEED_ROCKER_CAM						1	
2		40174297		FEED_ROCKER_CAM				*		1	
3		SS8150822TP		SCREW 15/64-28 L=8				*		2	
4		B412352200A		NEEDLE BEARING						1	
5		B412352200B		NEEDLE ROLLAR						1	
6		B412352200C		NEEDLE ROLLAR						1	
7		40174298		FEED_ROCKER_CAM_TOP						1	
8		SS6090670TP		SCREW 9/64-40 L=6						2	
9		40037365		FEED ROCKER ROD ASM.						1	
10		40026277		FEED ROCKER ROD				*		1	
11		22911101		WALKING FOOT PIN C				*		1	
12		SS6090620TP		SCREW				*		1	
13		40174300		FEED_CONNECTING_LINK_A						2	
14		40174302		FEED_CONNECTING_LINK_B						2	
15		40061246		FEED ROCKER ARM ALL ASM.						1	
16	R	40058504	40061246	FEED ROCKER ARM ASM.				*		1	1.00
17	R	40042079	40061246	FEED ROCKER ARM				*		1	1.00
18		SS6121610SP		SCREW 3/16-28 L=15.5				*		1	
19		22911002		WALKING FOOT PIN B				*		1	
20		SS6090620TP		SCREW				*		1	
21		23616709		FEED ROCKER SHAFT METAL						1	
22		22904155		MAIN SHAFT THRU-ST COLLAR ASM.						2	
23	R	22904106	22904155	MAIN SHAFT THRUST COLLAR				*		1	1.00
24		SS8660610TP		SCREW 1/4-40 L=6				*		2	
25		40172134		FEED_ROCKER_DUST_SEAL						1	
26		40174299		FEED_ROCKER_REAR_METAL						1	
27		40037005		ASSY_FEED_ROCKER_BASE_ARM						1	
28		40026281		FEED ROCKER BASE ARM				*		1	
29		SM6051400SP		SCREW				*		1	
30		WP0531000SD		WASHER M5				*		1	
31		SM4050855SP		SCREW				*		1	
32		40026282		FEED ROCKER BASE SHAFT						1	
33		10523702		WASHER						1	
34		40086735		ADJUSTING LINK ASM.						1	
35	R	40086695	40086735	FEED_ADJUSTING_LINK				*		1	1.00
36	R	40086696	40086735	FEED_ADJUSTING_LINK_PIN				*		2	1.00
37		SM80506A2TP		SCREW M5 L=6				*		2	
38		40172467		ADJUSTING_LINK_F-ULCRUM_SHAFT						1	
39		SM80606A2TP		SCREW M6 L=6						1	
40		40086736		RUBBER PLUG						1	
41		40172460		FEED_CHANGING_SHAFT						1	
42		SM80606A2TP		SCREW M6 L=6						1	
43		40172508		FEED_CHANGING_SHAFT_METAL_A						1	
44		40172138		FEED_CHANGING_DUST_SEAL						1	
45		40086616		FEED_CHANGING_SHAFT_METAL_B						1	

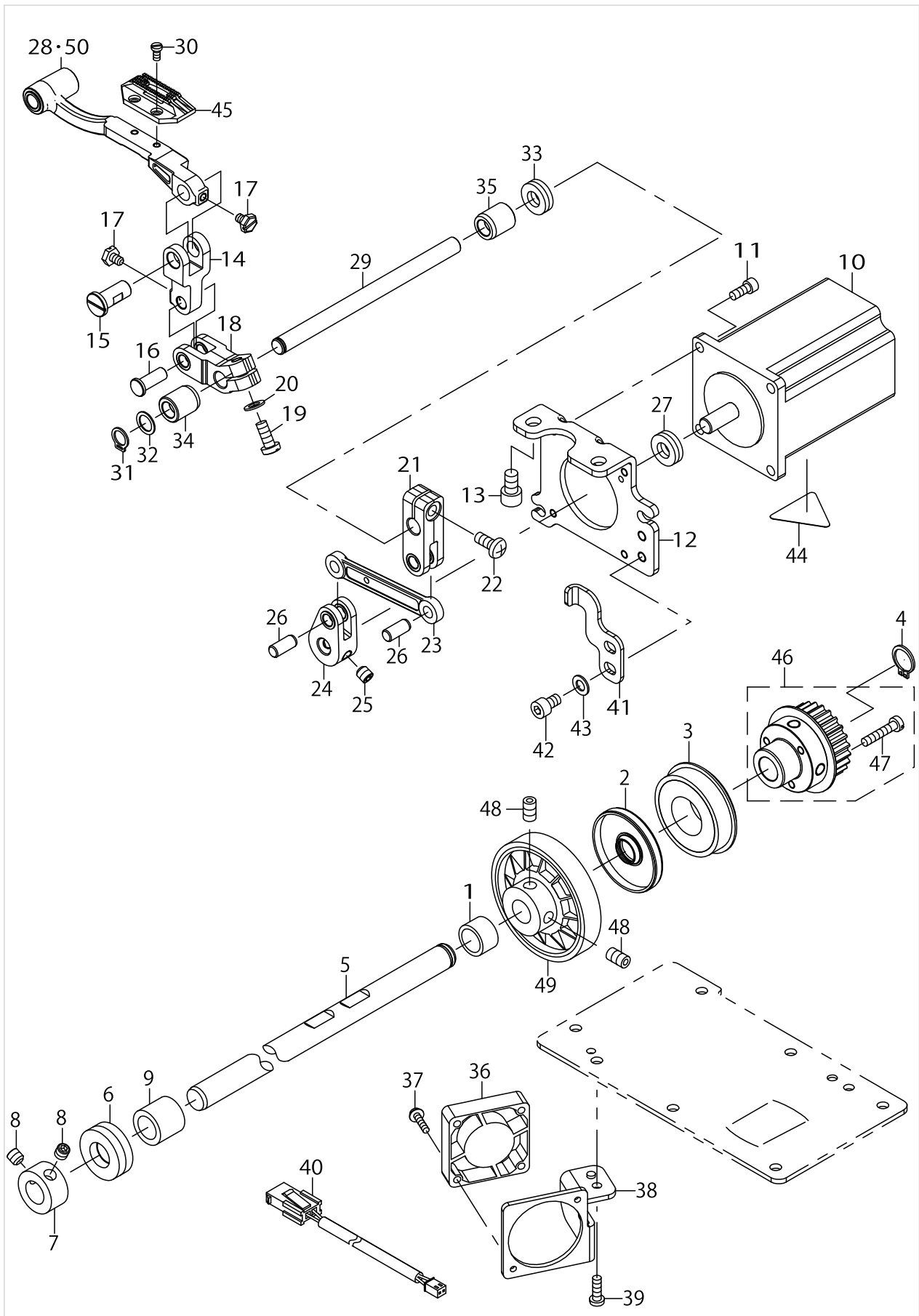
FEED ADJUST MECHANISM COMPONENTS



FEED ADJUST MECHANISM COMPONENTS

No.	Supply Code	Parts No.	Replacement	Parts name	Remarks	Choice	Step	Level	Cons	Qty	Rep. QTY
46		40172378		REVERSE_FEED_LEVER						1	
47		40174291		FEED_CONTROL_SENSOR_PLATE						1	
48		SM4040655SP		SCREW M4 L=6						1	
49		40172509		FEED_LEVER_SHAFT						1	
50		40172510		FEED_LEVER_SHAFT_METAL						1	
51		B2431215000		THREAD TRIMMER LINK SPRING						2	
52		40174293		ASSY_FEED_LEVER_ARM						1	
53		40174294		FEED_LEVER_ARM				*		1	
54		22912307		PIN				*		1	
55		SM6051602TP		SCREW M5X0.8 L=16				*		1	
56		22952501		BACK LEVER STOPPER						2	
57		SM6051850TP		SCREW M5 L=18						2	
58		40174405		FEED_CONTROL_SENSOR_BASE_ASM						1	
59		SM4040655SP		SCREW M4 L=6						2	
60		40174317		FEED_ROCKER_SHAFT						1	
61		SM8050612TP		SCREW M5X6						2	

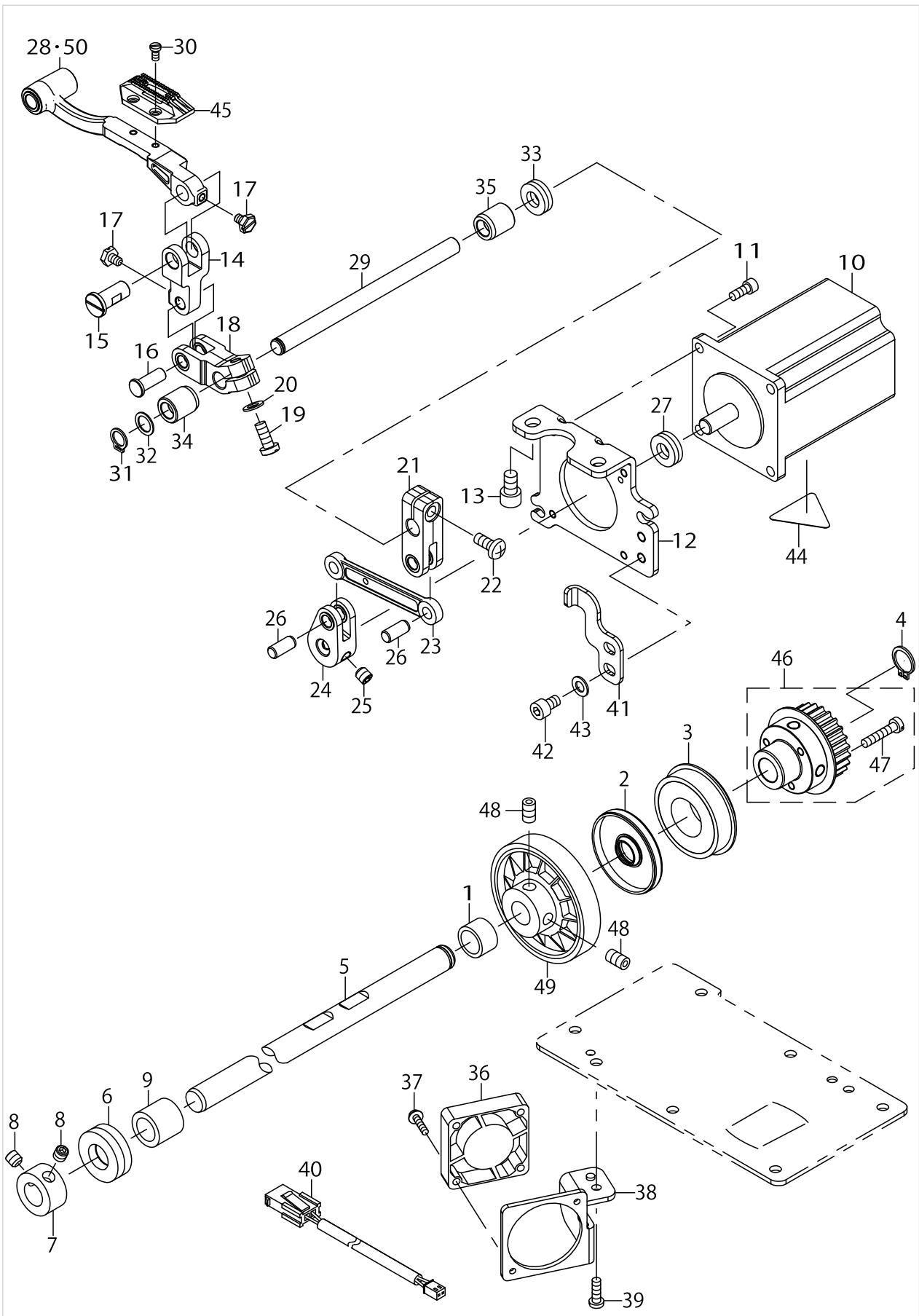
VERTICAL FEED COMPONENTS



VERTICAL FEED COMPONENTS

No.	Supply Code	Parts No.	Replacement	Parts name	Remarks	Choice	Step	Level	Cons	Qty	Rep. QTY
1		40174590		LOWER_SHAFT_METAL						1	
2		40172137		LOWER_SHAFT_REAR_DUST_SEAL						1	
3		SB120001800		BEARING						1	
4		RC1200001KP		C-SHAPED SNAP RING						1	
5		40174321		LOWER_SHAFT						1	
6		SB412000100		BEARING						1	
7		CS1201171TP		THRUST COLLAR D=12 W=11						1	
8		SM80606A2TP		SCREW M6 L=6						2	
9		40174325		BEARING						1	
10		40168922		VERTICAL FEED MOTOR						1	
11		SM6041002TP		SCREW M4X0.7 L=10						4	
12		40172455		VERTICAL_MOTOR_BASE						1	
13		SM6061002TP		SCREW M6 L=10						2	
14		40172443		FEED_BASE_DRIVING_LINK						1	
15		40174581		FEED_PIN_A						1	
16		40174582		FEED_PIN_B						1	
17		SM9040650TP		SCREW M4 L=6						2	
18		40172444		FEED_LINK_ARM_A_COMPL						1	
19		SM4051255SP		SCREW M5 L=12						1	
20		WP0550800SP		WASHER 5.5X10X0.8						1	
21		40172446		FEED_LINK_ARM_B_COMPL						1	
22		SM4051255SP		SCREW M5 L=12						2	
23		40172454		FEED_CONNECT_LINK						1	
24		40172448		FEED_MOTOR_LINK_COMPL						1	
25		SM8480652TP		SCREW						2	
26		13319405		MAIN FEED ROCKER PIN						2	
27		SB408000100		BEARING						1	
28		40172440		FEED_BASE_COMPL						1	
29		40172453		FEED_LINK_SHAFT						1	
30		SS4080620TP		SCREW 1/8-44 L=6					☆	2	
31		RC0740811KP		C-RING						1	
32		WP0820516SP		WASHER 11.6X8.2X0.6						1	
33		SB408000100		BEARING						1	
34		40172451		FEED_LINK_METAL						1	
35		40172452		FEED_LINK_METAL_B						1	
36		HM002230000		FAN MOTOR						1	
37		SL4031491SC		SCREW M3X14						2	
38		40172461		FAN_PLATE						1	
39		SM4041255SP		SCREW M4 L=12						1	
40		40173467		FAN MOTOR RELAY CORD ASSY						1	
41		40172439		FEED_BASE_STOPPER						1	
42		SM6050802TP		SCREW M5X0.8 L=8						2	
43		WP0550800SP		WASHER 5.5X10X0.8						2	
44		CM300300003		HIGH TEMPARATUR- E CAUTION LABEL 2(31.5)						1	
45		B1613012I00		FEED DOG I						1	
46		40174577		UNDER_SPROCKET_ASM.						1	

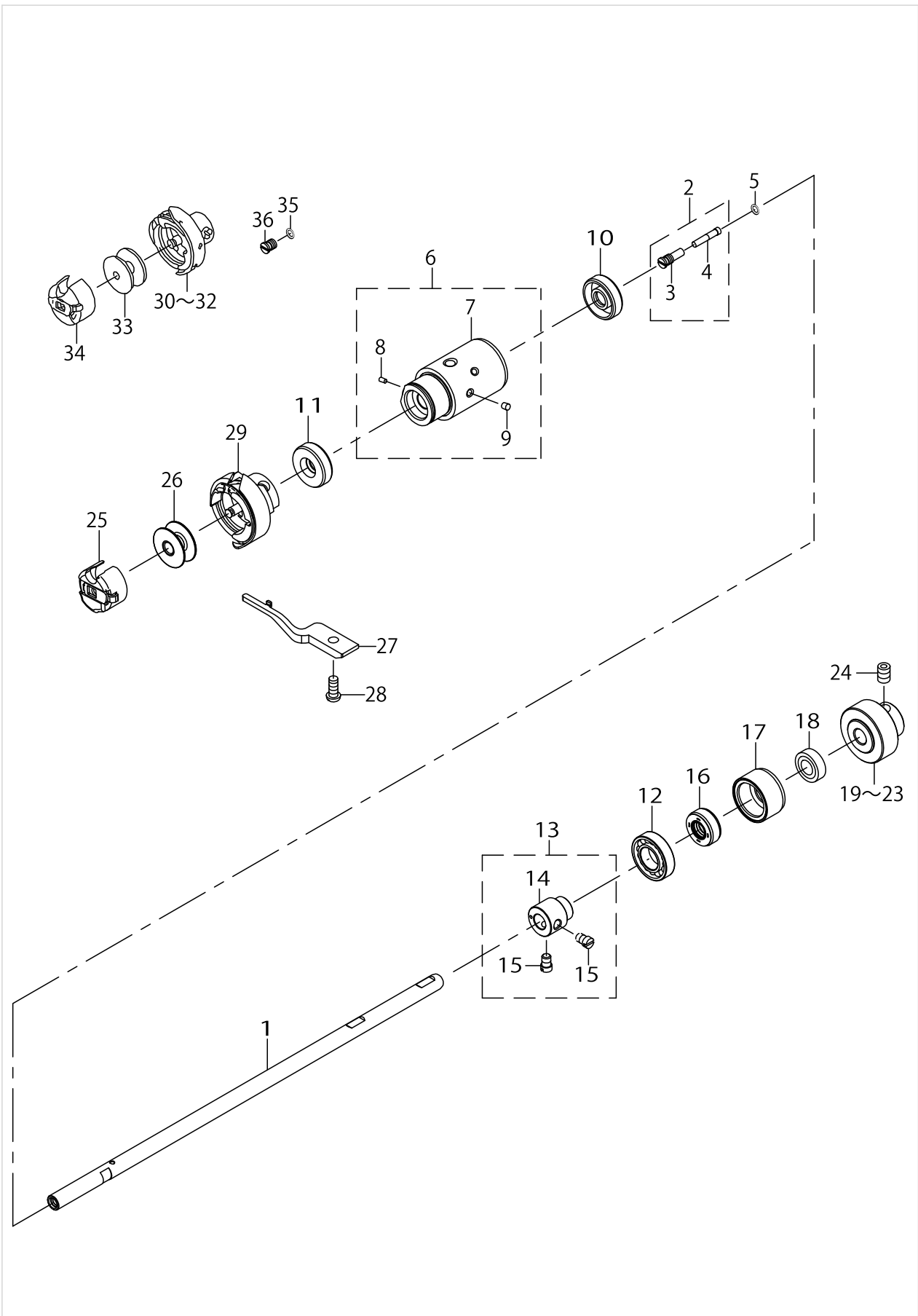
VERTICAL FEED COMPONENTS



VERTICAL FEED COMPONENTS

No.	Supply Code	Parts No.	Replacement	Parts name	Remarks	Choice	Step	Level	Cons	Qty	Rep. QTY
47		SM6042000SP		SCREW				*		3	
48		SM80608A2TP		SCREW M6 L=8						2	
49		40174334		GEAR_LARGE						1	
50		40174396		FEED_BASE_COMPL_H	DDL-9000-C-SSH ONLY					1	

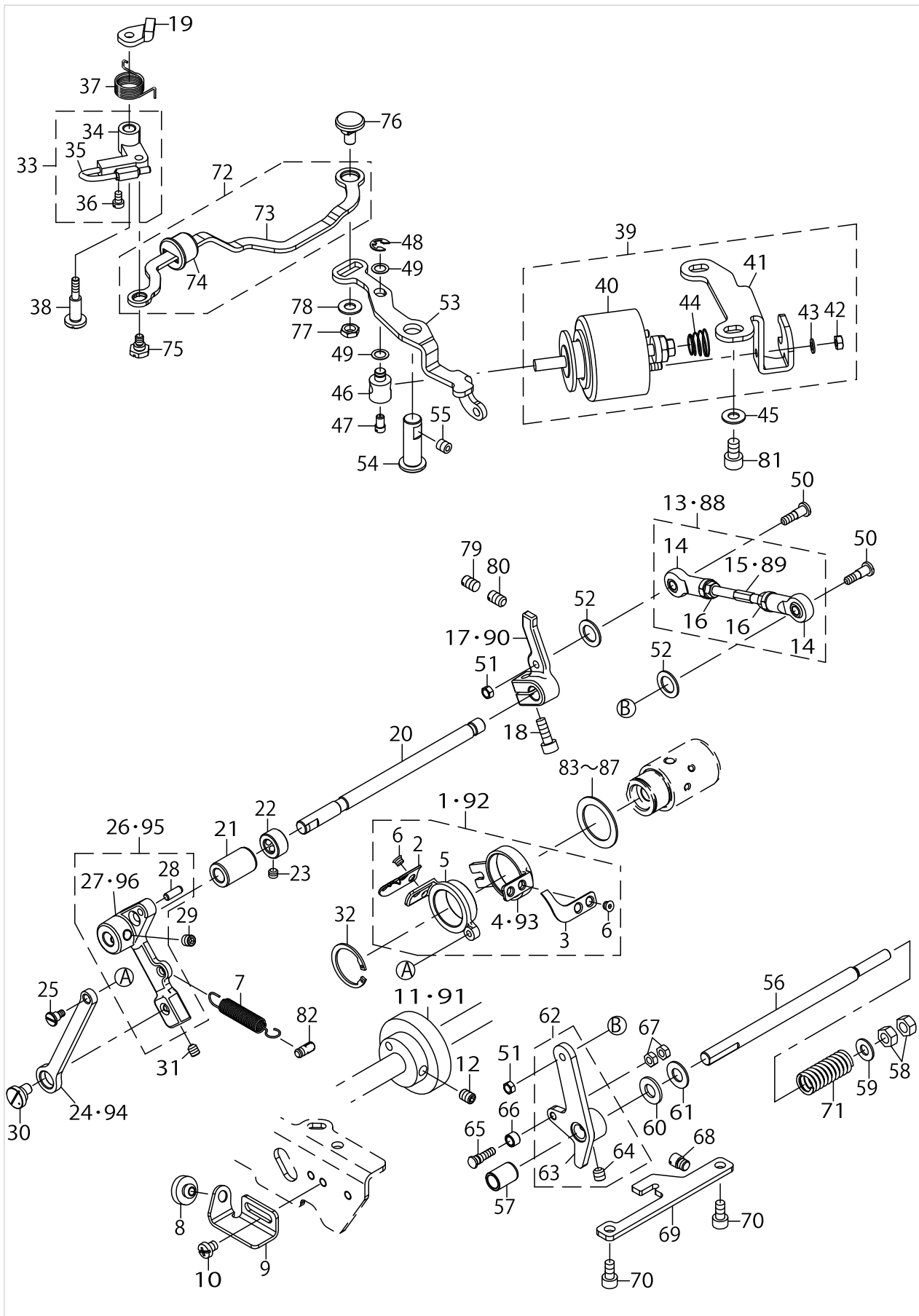
HOOK DRIVING COMPONENTS



HOOK DRIVING COMPONENTS

No.	Supply Code	Parts No.	Replacement	Parts name	Remarks	Choice	Step	Level	Cons	Qty	Rep. QTY
1		40174328		HOOK_SHAFT						1	
2		22916555		OILSEALSCREWASM.					☆	1	
3		22916506		SET SCREW				*		1	
4		11015906		OIL WICK				*		1	
5		RO036080200		RUBBER RING						1	
6		40174331		HOOK_SHAFT_METAL_ASM						1	
7		40174332		HOOK_SHAFT_METAL				*		1	
8		TA0180401M0		NEEDLE COOLER PLUG CAP				*		1	
9		TA0290301M0		PLUG				*		1	
10		40145927		OIL SEAL						1	
11		40010805		OIL SEAL RING						1	
12		G1812870000		LOWER SHAFT INNER BEARING						1	
13		40086691		HOOK_SHAFT_BEAR- ING_SUPPORT_ASM						1	
14		40086692		HOOK_SHAFT_BEARING_SUPPORT				*		1	
15		SS6110710TP		SCREW 11/64-40 L=6.5				*		2	
16		40172135		HOOK_SHAFT_DUST_SEAL						1	
17		40174333		HOOK SHAFT REAR METAL						1	
18		SB408000100		BEARING						1	
19		40174335		GEAR_SMALL_A	SELECTIVE PARTS					1	
20		40174336		GEAR_SMALL_B	SELECTIVE PARTS					1	
21		40174337		GEAR_SMALL_C	SELECTIVE PARTS					1	
22		40174338		GEAR_SMALL_D	SELECTIVE PARTS					1	
23		40174369		GEAR_SMALL_E	SELECTIVE PARTS					1	
24		SM80608A2TP		SCREW M6 L=8						2	
25		11038759		BOBBIN CASE ASM.					☆	1	
26		22964001		BOBBIN A					☆	1	
27		40174351		INNERHOOK HOLDER						1	
28		SS4111015SP		SCREW11/64-40L=10						1	
29		11038650		HOOK ASM.					☆	1	
30		22890404		RP HOOK C	OPTIONAL PARTS				☆	1	
31		22890206		RP HOOK	OPTIONAL PARTS				☆	1	
32		22890305		RP HOOK S	OPTIONAL PARTS				☆	1	
33	R	B9117552A00	22964001	BOBBIN	OPTIONAL PARTS				☆	1	1.00
34		22896252		BOBBIN CASE ASM.	OPTIONAL PARTS				☆	1	
35		RO036080200		RUBBER RING	OPTIONAL PARTS					1	
36		11079506		FRONT SCREW	OPTIONAL PARTS					1	

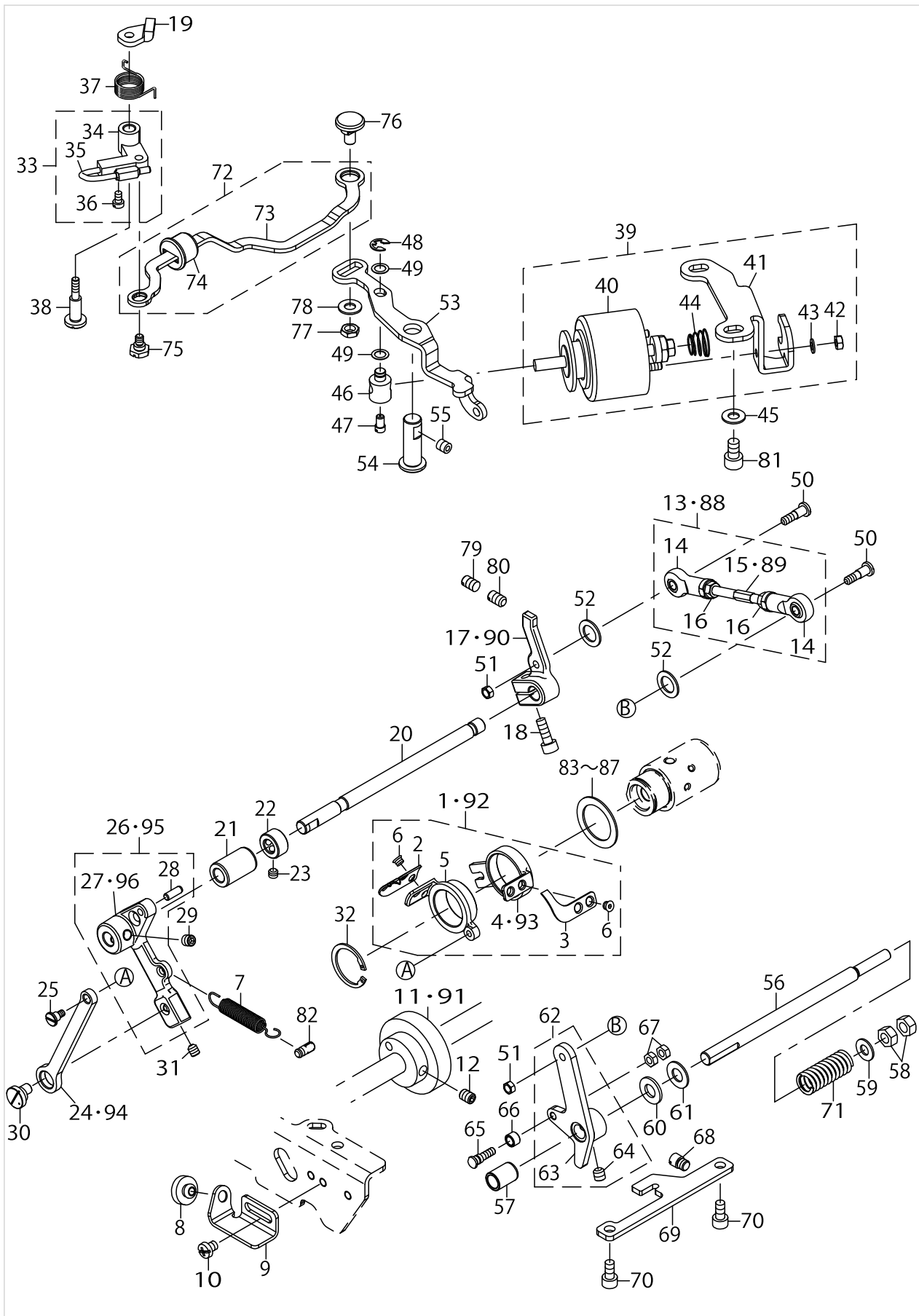
THREAD TRIMMER COMPONENTS



THREAD TRIMMER COMPONENTS

No.	Supply Code	Parts No.	Replacement	Parts name	Remarks	Choice	Step	Level	Cons	Qty	Rep. QTY
1		40174319		KNIFE_UNIT	DDL-9000-C-SSH ONLY					1	
2		40172487		HANDLING_DEVICE_KNIFE				*	☆	1	
3		40172486		THREAD_TRIMMER_KNIFE				*	☆	1	
4		40174318		THREAD_TRIMMER_BASE	DDL-9000-C-SSH ONLY			*		1	
5		40172489		HANDLING_DEVICE_BASE				*		1	
6		11420601		SCREW				*	☆	4	
7		40172497		TRIMMER_BACK_SPRING						1	
8		B1116210D00		FRAME SUPPORT RUBBER						1	
9		40172498		RUBBER_STOPPER_PLATE						1	
10		SM4050655SP		SCREW M5 L=6						2	
11		40172499		THREAD_TRIMMER_CAM						1	
12		SM80608A2TP		SCREW M6 L=8						2	
13		40174323		CONNECTING_ROD_ASM_R	DDL-9000-C-SSH ONLY					1	
14		40136701		ROD_END				*		2	
15		40174324		CONNECTING_BAR	DDL-9000-C-SSH ONLY			*		1	
16		NM6050001SC		NUT M5X0.8 TYPE1				*		2	
17		40172500		TRIMMER_MOVING_ARM						1	
18		SM6051402TP		SCREW M5X0.8 L=14						1	
19		40062168		PICKER SPRING HOOK						1	
20		40172481		TRIMMER_MOVING_SHAFT						1	
21		40172482		THREAD_TRIMMER_METAL_A						1	
22		CS0800881TP		THRUST COLLAR						1	
23		SM80506A2TP		SCREW M5 L=6						2	
24		40172484		THREAD_TRIMMER_ROD						1	
25		SD0500403TP		SCREW						1	
26		40172477		THREAD_TRIMMER_ARM_ASM						1	
27		40172478		THREAD_TRIMMER_ARM				*		1	
28		40172479		THREAD_TRIMMER_ARM_PIN				*		1	
29		SM8480652TP		SCREW						2	
30		40172480		TRIMMER_ADJUSINGT_PIN						1	
31		SM80506A2TP		SCREW M5 L=6						2	
32		RC2651218KP		RETAINING RING						1	
33		40036998		ASSY_PICKER_ARM						1	
34		40061215		PICKER ARM				*		1	
35		40036997		ASSY_PICKER				*		1	
36		SS6090670TP		SCREW 9/64-40 L=6				*		2	
37		40029398		PICKER SPRING						1	
38		SD0641456TP		SHOULDER SCREW D=6.35 H=14.5						1	
39		40172491		THREAD_TRIMMER_SOLENOID_F_ASM						1	
40		40172494		THREAD_TRIMMER_SOLENOID_F				*		1	
41		40174583		SOLENOID_INSTALLING_BASE				*		1	
42		NM6040001SE		NUT M4				*		2	
43		WS0410002KR		SPRING WASHER M4				*		2	
44		40174584		SPRING				*		1	

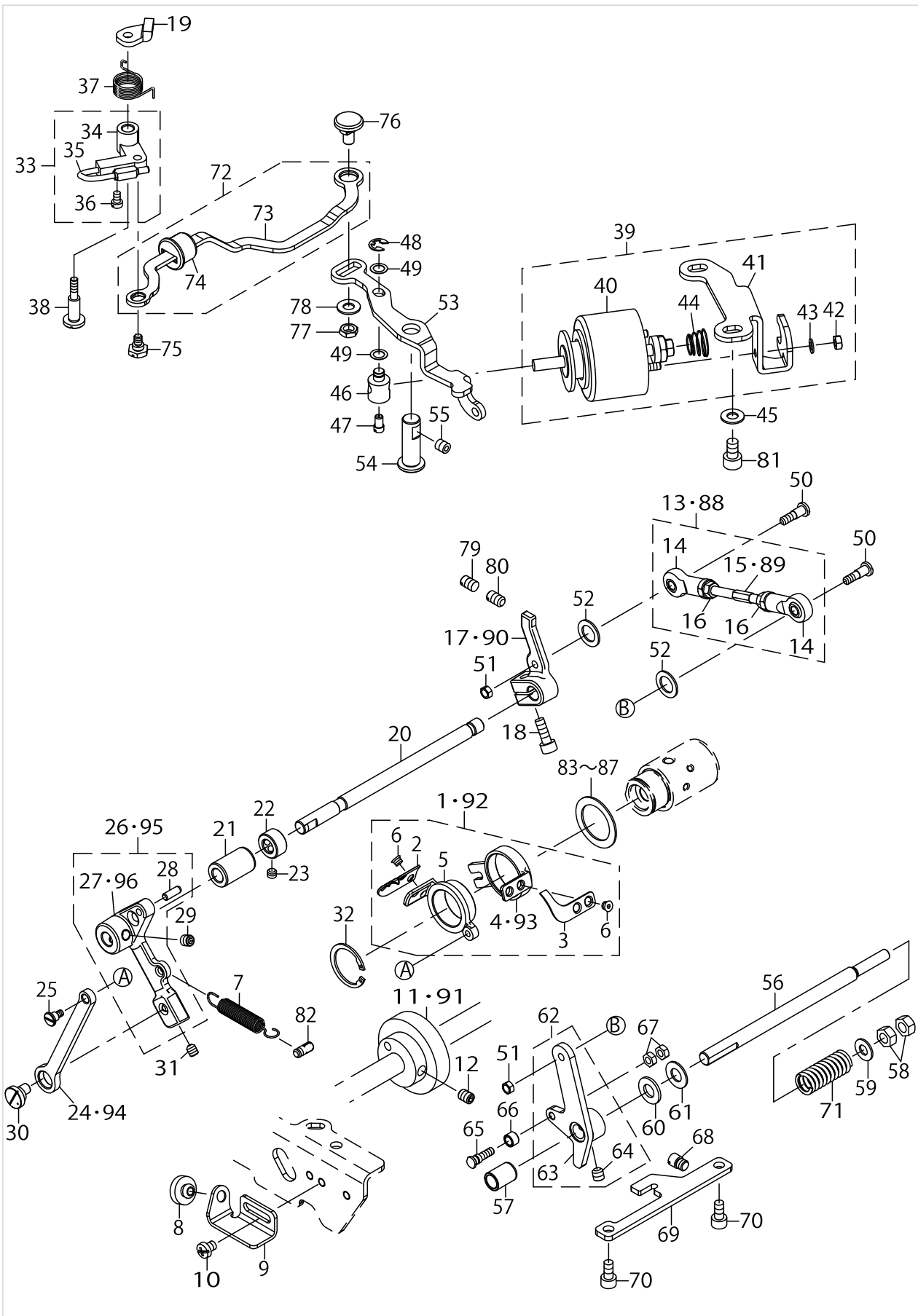
THREAD TRIMMER COMPONENTS



THREAD TRIMMER COMPONENTS

No.	Supply Code	Parts No.	Replacement	Parts name	Remarks	Choice	Step	Level	Cons	Qty	Rep. QTY
45		WP0621016SD		WASHER 6.2X13X1						2	
46		40086711		SORENOID_PIN						1	
47		SS6110710TP		SCREW 11/64-40 L=6.5						1	
48		RE0500000K0		E-RING						1	
49		10618304		VERTICAL ROLLER WASHER						2	
50		SD0500701TP		SHOULDER SCREW						2	
51		NS6110310SP		HEXAGONAL NUT 11/64-40						2	
52		40086712		CONNECTING ROD FELT						2	
53		40172495		CLUTCH_PLATE						1	
54		40086635		CLUTCH_SHAFT						1	
55		SM8060812TP		SCREW M6 L=8						1	
56		40172496		THREAD_TRIMMER_SHAFT						1	
57		40172483		THREAD_TRIMMER_METAL_B						1	
58		NM6060001SC		NUT M6X1 TYPE1						2	
59		WP0621016SH		WASHER						1	
60		B1116804000		CLOTH PLATE WASHER						1	
61		40090099		WASHER						1	
62		40095843		ASSY_CAM_FOLLOWER						1	
63		40086624		CAM_FOLLOWER_ASM.				*		1	
64		SM80606A2TP		SCREW M6 L=6				*		2	
65		40086748		ROLLER SHAFT						1	
66		40015671		CAM_ROLLER						1	
67		NM6040001SP		NUT M4X0.7						2	
68		40086623		STOPPER_SCREW						1	
69		40172490		CAM_FOLLOWER_STOPPER						1	
70		SM6050802TP		SCREW M5X0.8 L=8						2	
71		40172504		THREAD_TRIMMER_SPRING_D						1	
72		40172501		PICKER_LINK_ASM						1	
73		40172502		PICKER_LINK				*		1	
74		40172503		PICKER_LINK_RUBBER				*		1	
75		SD0630275SP		HINGE SCREW D=6.35 H=2.7						1	
76		22950000		PICKER LINK PIN						1	
77		NS6150310SP		NUT 15/64-28						1	
78		WP0621016SH		WASHER						1	
79		SM8061050TP		SCREW						1	
80		SM8061010TP		SCREW						1	
81		SM6061002TP		SCREW M6 L=10						2	
82		13738802		SUSPENSION SCREW						1	
83		11419504		THRUST COLLAR A	SELECTIVE PARTS					1	
84		11419603		THRUST COLLAR B	SELECTIVE PARTS					1	
85		11419702		THRUST COLLAR C	SELECTIVE PARTS					1	
86		11419801		THRUST COLLAR D	SELECTIVE PARTS					1	
87		11419900		THRUST COLLAR E	SELECTIVE PARTS					1	
88		40174398		CONNECTING_ROD_ASM_R						1	
89		40086709		CONNECTING_BAR				*		1	
90		40174315		TRIMMER_MOVING_ARM	DDL-9000-C-SSH ONLY					1	

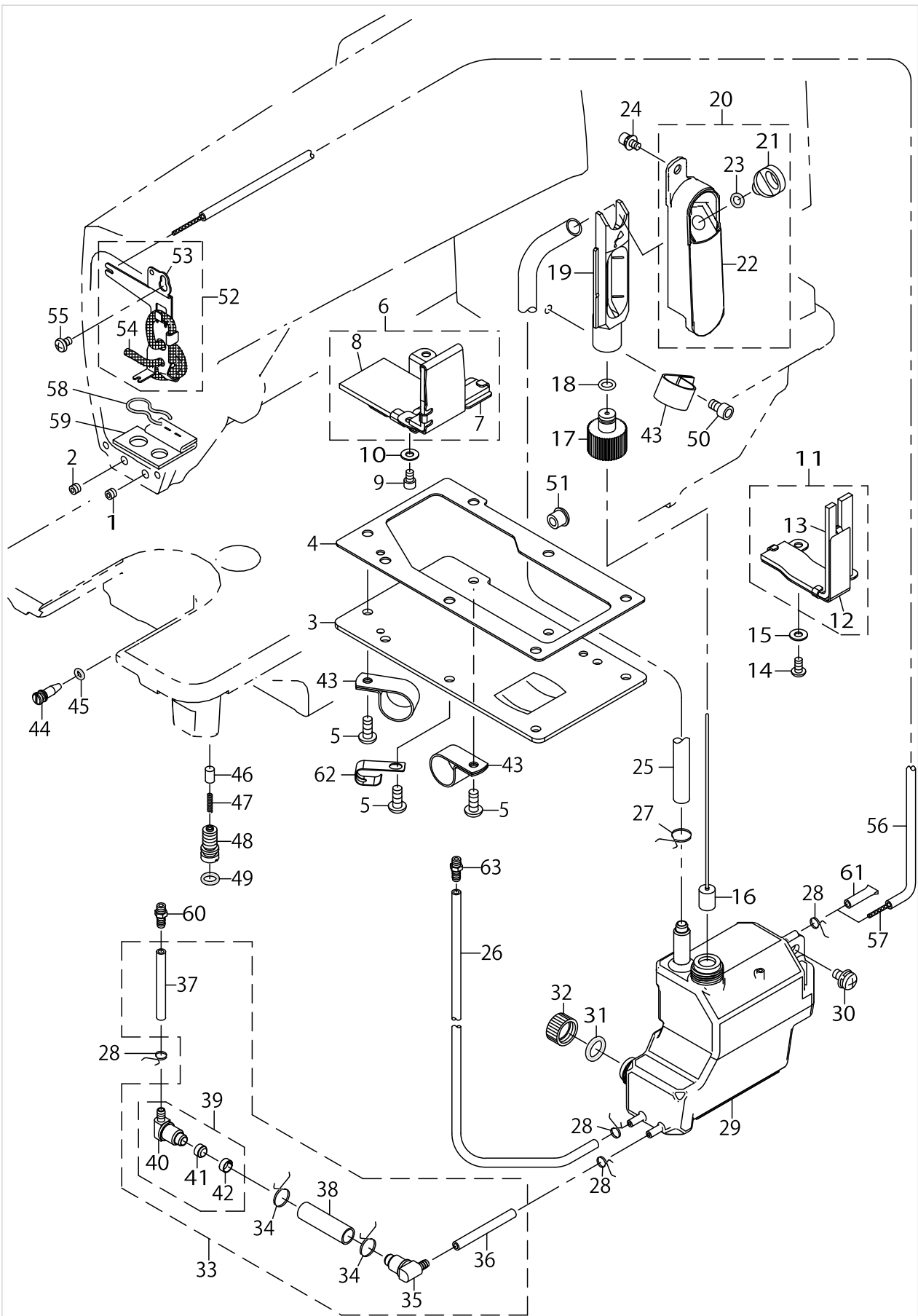
THREAD TRIMMER COMPONENTS



THREAD TRIMMER COMPONENTS

No.	Supply Code	Parts No.	Replacement	Parts name	Remarks	Choice	Step	Level	Cons	Qty	Rep. QTY
91		40174316		THREAD_TRIMMER_CAM	DDL-9000-C-SSH ONLY					1	
92		40172485		KNIFE_UNIT	EXCEPT D-DL-9000C-SSH					1	
93		40172488		THREAD_TRIMMER_BASE				*		1	
94		40168860		THREAD_TRIMMER_ROD	DDL-9000-C-SSH ONLY					1	
95		40172477		THREAD_TRIMMER_ARM_ASM	DDL-9000-C-SSH ONLY					1	
96		40174314		THREAD_TRIMMER_ARM	DDL-9000-C-SSH ONLY			*		1	

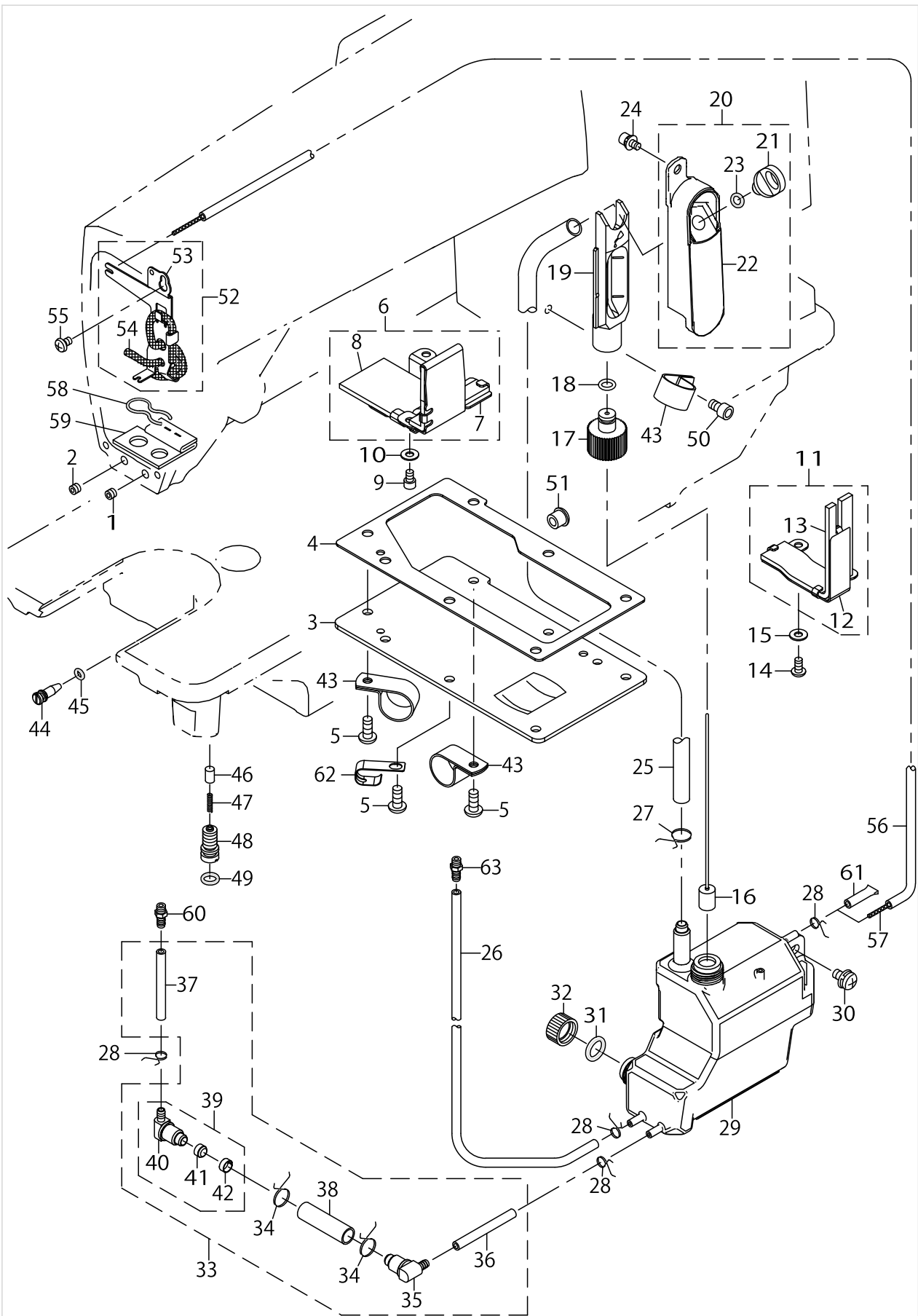
OIL LUBRICATION COMPONENTS



OIL LUBRICATION COMPONENTS

No.	Supply Code	Parts No.	Replacement	Parts name	Remarks	Choice	Step	Level	Cons	Qty	Rep. QTY
1		SM8050402TP		SCREW						1	
2		SM8050402TP		SCREW						1	
3		40174358		GEAR_BOX_COVER						1	
4		40174359		GEAR_BOX_PACKING						1	
5		SM4051255SP		SCREW M5 L=12						6	
6		40172469		LINK_COVER_ASM						1	
7		40174360		LINK_COVER				*		1	
8		40174361		GEAR_BOX_LUBRICATION_FELT				*		1	
9		SM6040602TP		SCREW M4X0.7 L=6						2	
10		WP0450801SD		WASHER 4.5X10X0.8						2	
11		40174306		FEED_ROCKER_CAM- _LUBRICATION_FELT_ASM.						1	
12		40174394		FELT_PLATE				*		1	
13		40174362		FEED_ROCKER_CAM- _LUBRICATION_FELT				*		1	
14		SM4040655SP		SCREW M4 L=6						2	
15		WP0450801SD		WASHER 4.5X10X0.8						2	
16		40172430		ASSY_FLOATER						1	
17		40172433		FLOATER_CAP						1	
18		RO061180100		RUBBER RING						1	
19		40172437		FLOATER_CASE_GUIDE						1	
20		40149785		ASSY_FLOATER_SIGHT_WINDOW_B						1	
21		40000344		LUBRICATING INLET CAP				*		1	
22		40086697		FLOATER_SIGHT_WINDOW_B				*		1	
23		RO048190100		RUBBER RING				*		1	
24		SL6040892TN		BOLT						1	
25		23630106		TUBE B						.1	
26		23630007		TUBE						.43	
27		23629405		PIPE STOPPER B						1	
28		23629306		PIPE STOPPER A						4	
29		40172436		OIL_TANK						1	
30		SL4051091SC		SCREW M5X0.8 L=10						2	
31		RO098240100		O-RING						1	
32		40013595		OIL_EXIT_CAP						1	
33		40174307		OIL_FILTER_ASM.						1	
34		23629405		PIPE STOPPER B				*		2	
35		23630601		OIL FILTER JOINT				*		1	
36		23630007		TUBE				*		0.- 045	
37		40178658		PIPE				*		0.27	
38		23630106		TUBE B				*		0.- 035	
39		23630650		OIL FILTER JOINT ASM.				*		1	
40		23630601		OIL FILTER JOINT				*		1	
41	R	23630403	23630650	OIL FILTER				*		1	1.00
42	R	23630502	23630650	OIL FILTER STOPPER				*		1	1.00
43		HX00150000K		CABLE CLIP						3	
44		40174365		OIL ADJUSTING SCREW						1	
45		RO037180100		RUBBER RING						1	

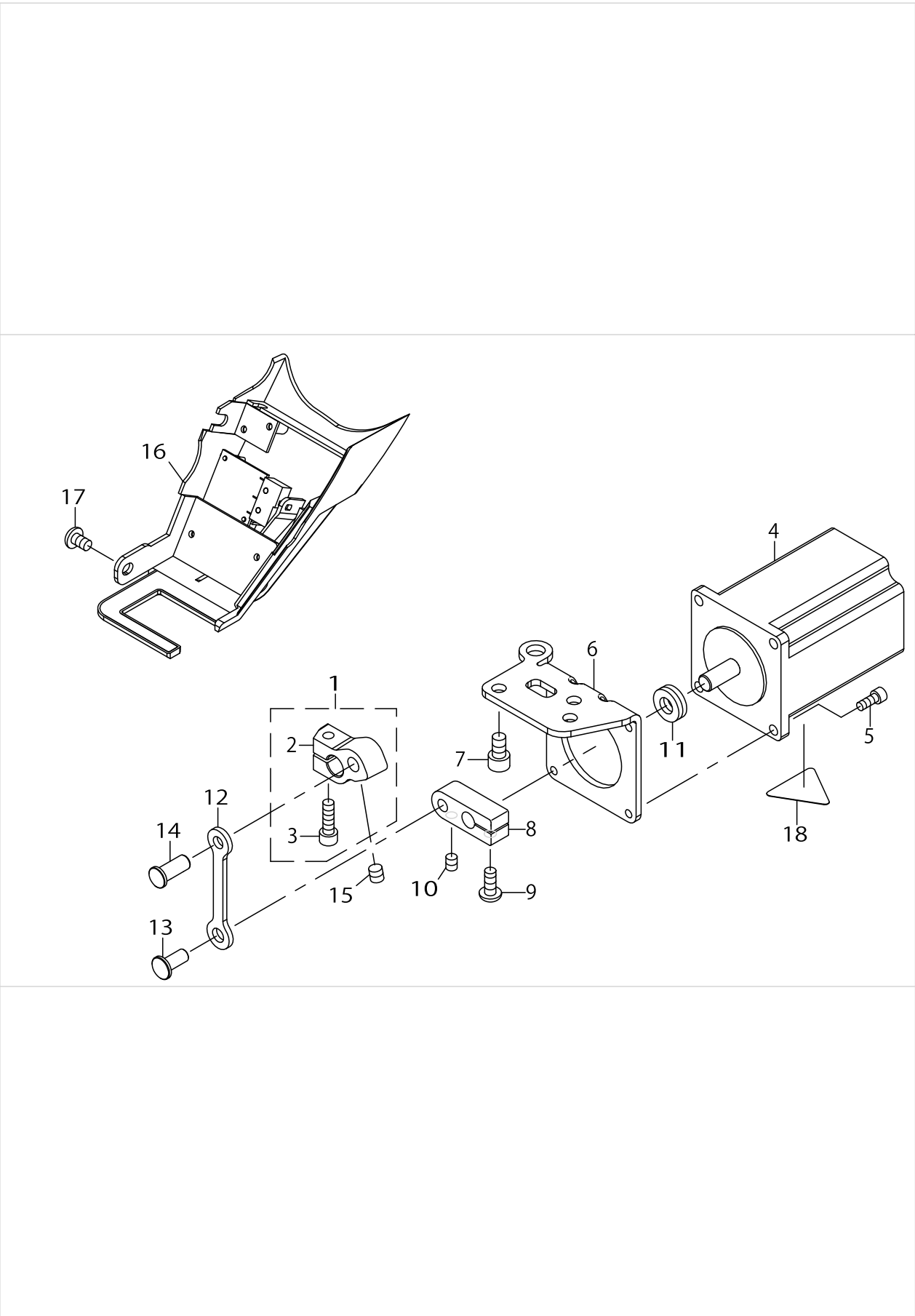
OIL LUBRICATION COMPONENTS



OIL LUBRICATION COMPONENTS

No.	Supply Code	Parts No.	Replacement	Parts name	Remarks	Choice	Step	Level	Cons	Qty	Rep. QTY
46		23628803		PLUNGER						1	
47		23628902		PLUNGER SPRING						1	
48		40038328		PLUNGER SCREW						1	
49		RO068190100		RUBBER RING						1	
50		SM6050802TP		SCREW M5X0.8 L=8						1	
51		22901409		NEEDLE BAR UPPER BUSH CAP						1	
52		23629256		OIL WICK SUPPORT ASM.	DDL-9000-C-SSH ONLY					1	
53	R	23629207	23629256	OIL WICK SUPPORT	DDL-9000-C-SSH ONLY			*		1	1.00
54		CQ250000001		OIL WICK	DDL-9000-C-SSH ONLY			*		0.25	
55		SM5040655SN		SCREW	DDL-9000-C-SSH ONLY					1	
56		23630007		TUBE	DDL-9000-C-SSH ONLY					.75	
57		CQ200000001		OIL WICK	DDL-9000-C-SSH ONLY					.18	
58		22925101		OIL FELT PRESSER	DDL-9000-C-SSH ONLY					1	
59		40075404		FACE FELT ASM.	DDL-9000-C-SSH ONLY					1	
60		40174356		CONNECTING SCREW						1	
61		40174399		CAP	DDL-9000-C-SMS ONLY					1	
62		40136258		CORD HOLDER						1	
63		SQ2050453MZ		CONNECTING SCREW						1	

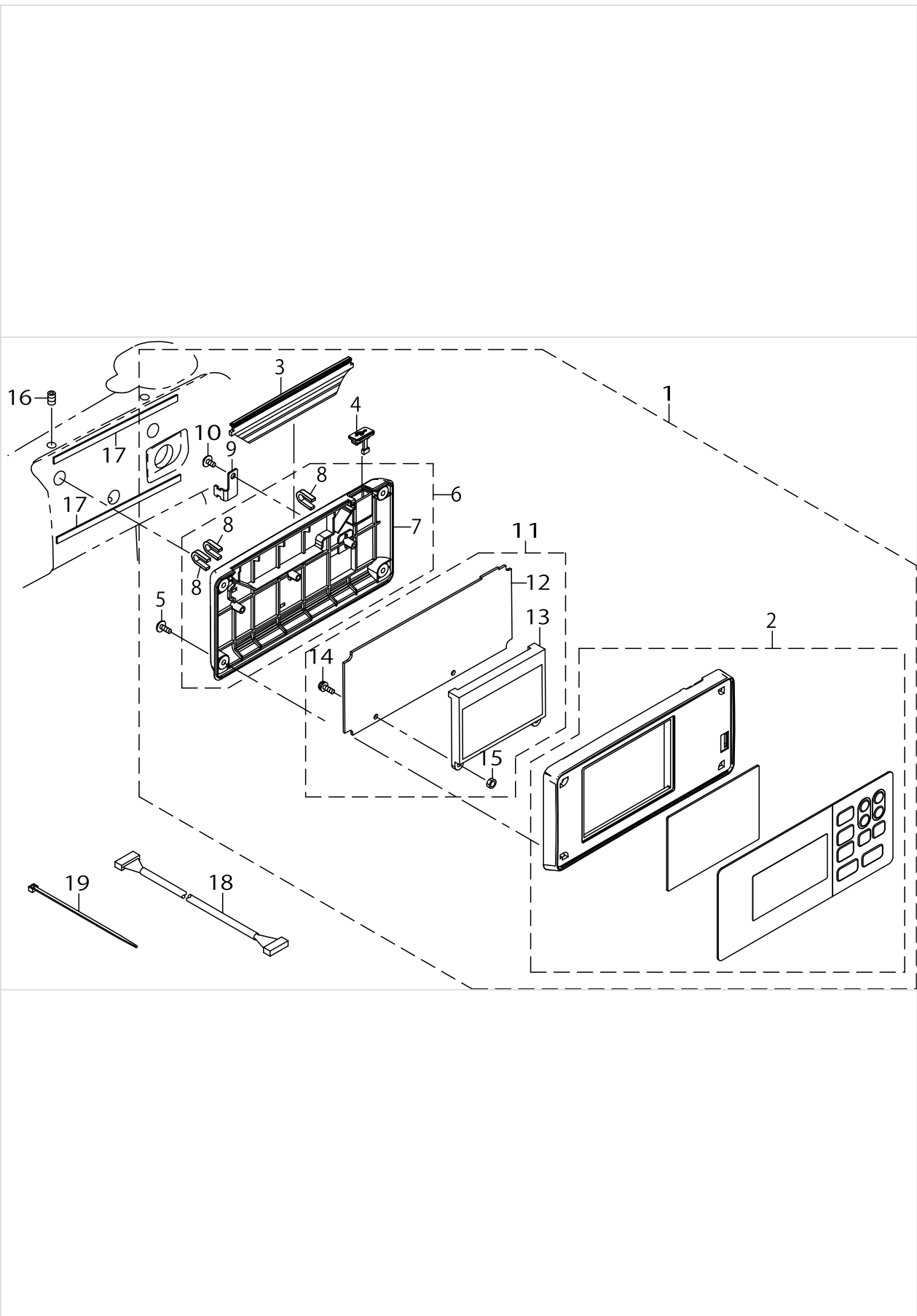
AUTOMATIC REVERSE FEED COMPONENTS



AUTOMATIC REVERSE FEED COMPONENTS

No.	Supply Code	Parts No.	Replacement	Parts name	Remarks	Choice	Step	Level	Cons	Qty	Rep. QTY
1		40174366		ASSY REVERSE FEED ARM						1	
2		40172459		REVERSE_FEED_ARM				*		1	
3		SM6051602TP		SCREW M5X0.8 L=16				*		1	
4		40168921		HORIZONTAL FEED MOTOR						1	
5		SM6041002TP		SCREW M4X0.7 L=10						4	
6		40172456		HORIZONTAL_MOTOR_BASE						1	
7		SM6061002TP		SCREW M6 L=10						3	
8		40010278		MOTOR LINK						1	
9		SM4051255SP		SCREW M5 L=12						1	
10		SM8050612TP		SCREW M5X6						1	
11		SB408000100		BEARING						1	
12		40172458		HORIZ_CONNECT_LINK						1	
13		40172457		HORIZ_MOTOR_LINK_PIN						1	
14		40086699		REVERSE_FEED_LINK_PIN						1	
15		SM8480652TP		SCREW						1	
16		40174372		LED_TB_SWITCH					☆	1	
17		SM4050855SP		SCREW						2	
18		CM300300003		HIGH TEMPARATUR- E CAUTION LABEL 2(31.5)						1	

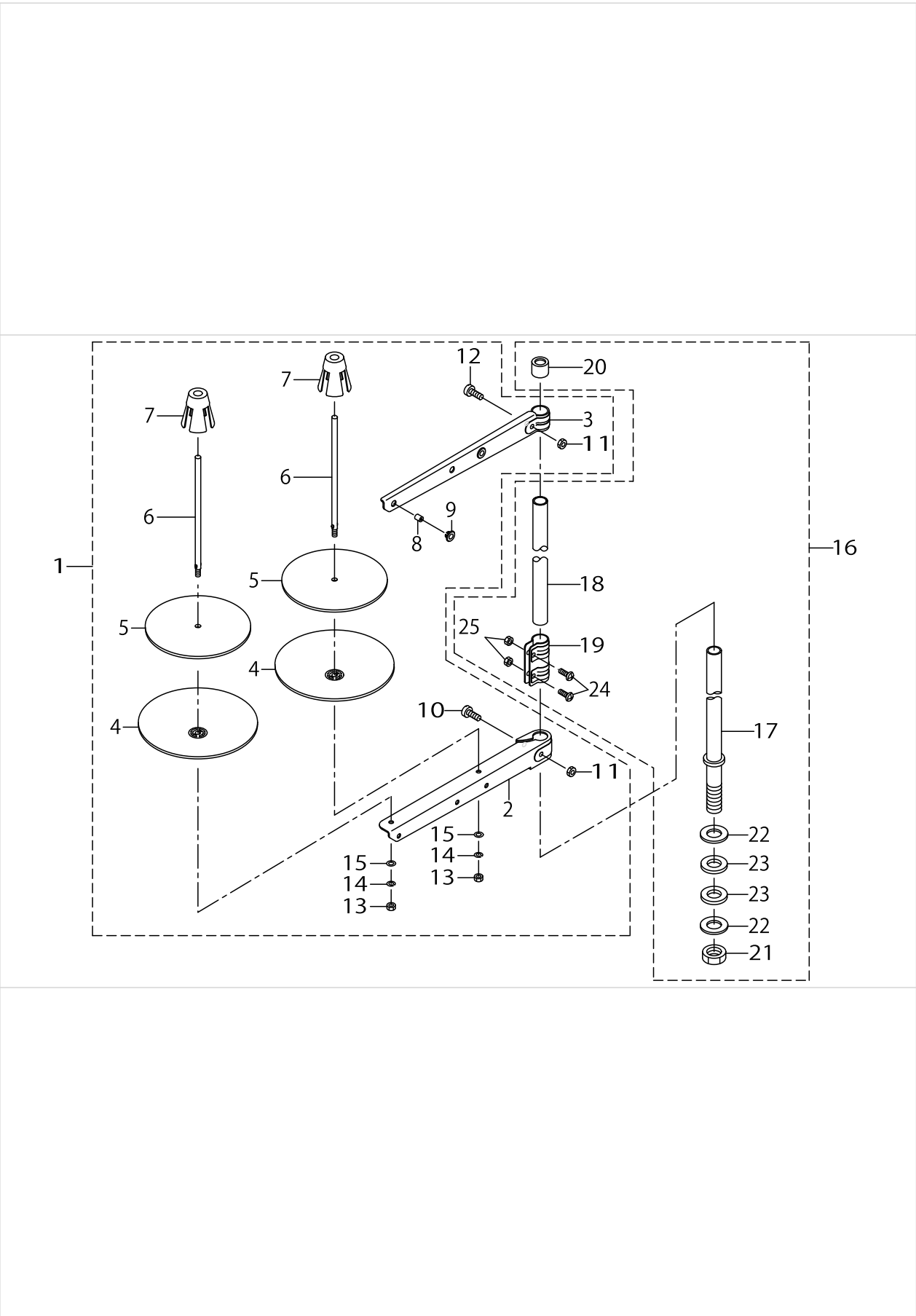
OPERATION PANEL COMPONENTS



OPERATION PANEL COMPONENTS

No.	Supply Code	Parts No.	Replacement	Parts name	Remarks	Choice	Step	Level	Cons	Qty	Rep. QTY
1		40173460		PANEL D ASSY						1	
2		40173461		PANEL_COVER_D ASSY				*	☆	1	
3		40172422		INDICATOR				*		1	
4		40172423		USB_COVER				*		1	
5	D	SV4030802SN		TAPPING SCREW WITH FLANGE M3X8				*		4	
6		40173459		PANEL COVER R ASM				*		1	
7		40172386		PANEL_COVER_R				*		1	
8		40172420		FIX_PLATE				*		3	
9		40174580		PANEL_CABLE_CLAMP_PLATE				*		1	
10	D	SV4030802SN		TAPPING SCREW WITH FLANGE M3X8				*		1	
11		40173462		PNL-D PCB ASSY A				*		1	
12		40169408		PNL-D PCB ASSY				*		1	
13		40163141		LCD_MODULE				*		1	
14		SL4031081SC		SCREW M3X10				*		2	
15		NM6030001SC		NUT M3X0.5 TYPE1				*		2	
16		SM8050802TP		SCREW M5X0.8 L=8						3	
17		40174408		PANEL_CSHION_RUBBER						2	
18		40175585		CTL-PNL CORD ASSY						1	
19		EA9500B0100		CABLE BAND						1	

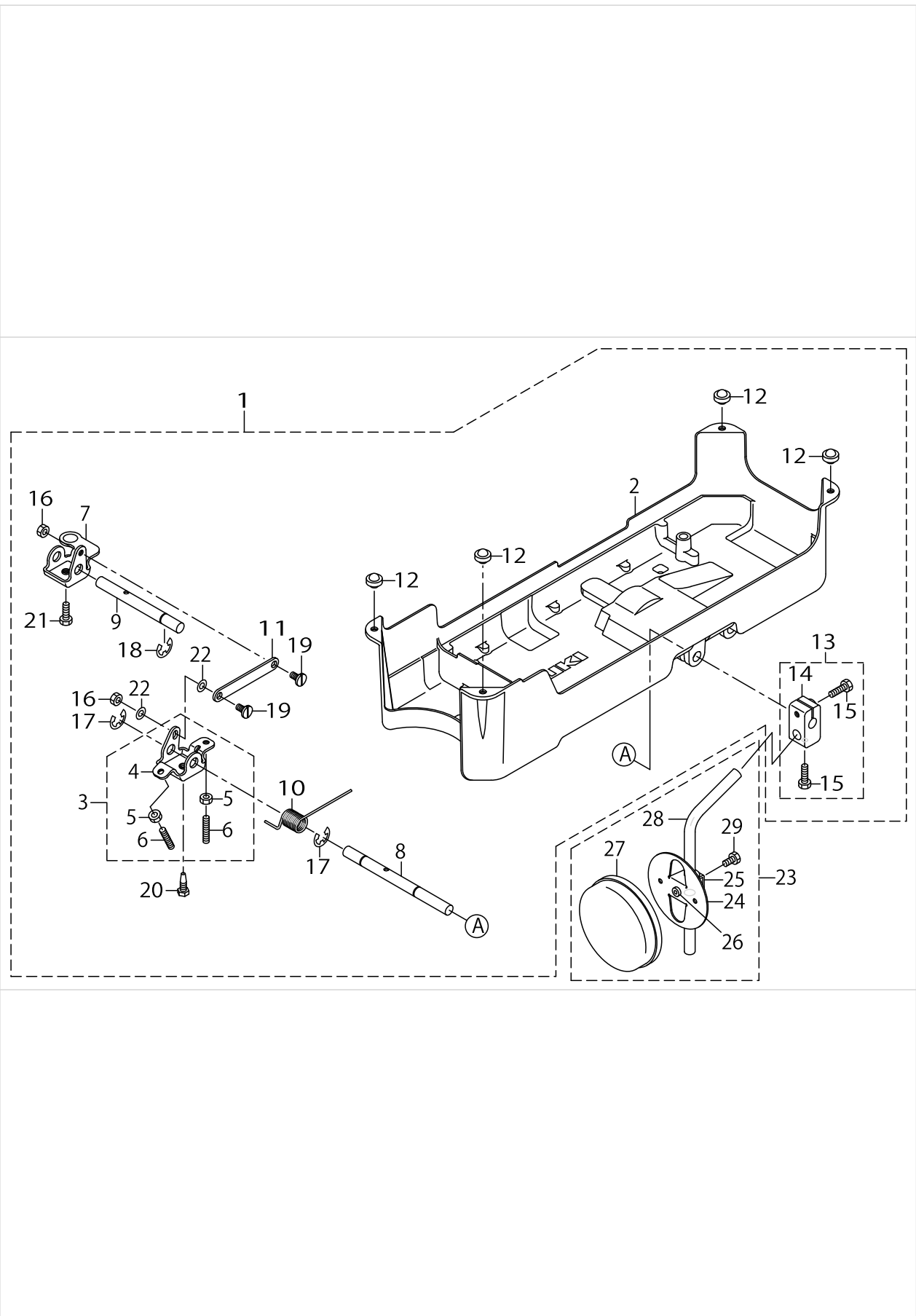
THREAD STAND COMPONENTS



THREAD STAND COMPONENTS

No.	Supply Code	Parts No.	Replacement	Parts name	Remarks	Choice	Step	Level	Cons	Qty	Rep. QTY
1		40108402		THRED_STAND_B						1	
2		40085786		SPOOL REST ARM (LOWER)				*		1	
3		40085787		SPOOL REST ARM (UPPER)				*		1	
4		40085788		SPOOL REST				*		2	
5		40085789		SPOOL REST CUSHION				*		2	
6		40085790		SPOOL PIN				*		2	
7		40085791		SPOOL RETAINER				*		2	
8		40085794		THREAD GUIDE				*		2	
9		40085795		THREAD GUIDE BUSHING				*		2	
10		40096326		SPOOL REST ARM LOWER SCREW				*		1	
11		NM6050001SE		NUT M5				*		2	
12	R	40096327	SM4053001SE	SPOOL REST ARM UPPER SCREW				*		1	1.00
13		NM6050001SE		NUT M5				*		2	
14		WS0510002KN		SPRING WASHER M5				*		2	
15		WP0531001SC		WASHER M5				*		2	
16		40108401		THREAD_STAND_A						1	
17		40085784		SPOOL REST ROD LOWER				*		1	
18		40085785		SPOOL REST ROD UPPER				*		1	
19		40085792		SPOOL REST ROD JOINT				*		1	
20		40085793		SPOOL REST ROD RUBBER CAP				*		1	
21		40096325		SPOOL REST ROD NUT				*		1	
22		WP1612616SE		WASHER 16X30X2.6				*		2	
23		40085796		SPOOL REST ROD RUBBER CUSHION				*		2	
24		SM4051405SE		SCREW M5 L=14				*		2	
25		NM6050001SE		NUT M5				*		2	

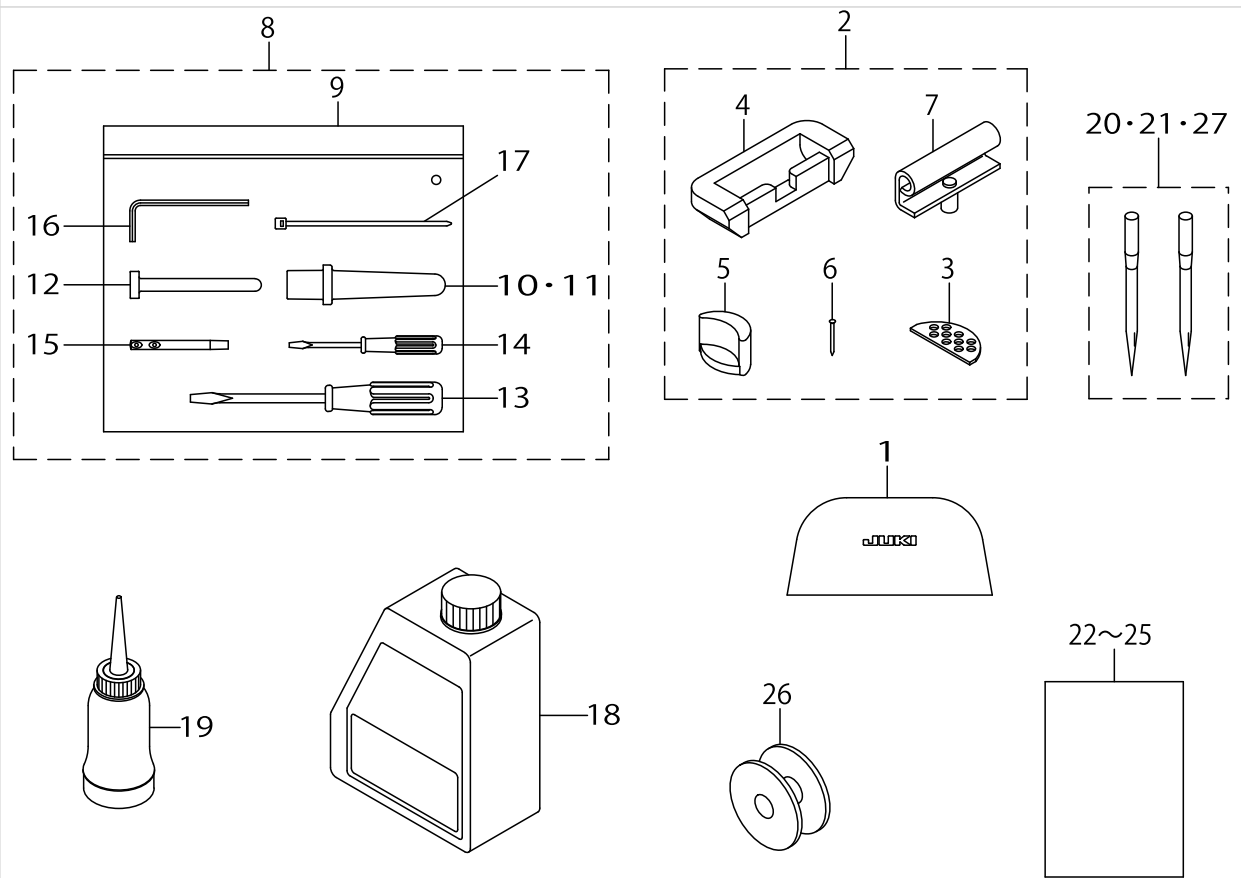
UNDER COVER COMPONENTS



UNDER COVER COMPONENTS

No.	Supply Code	Parts No.	Replacement	Parts name	Remarks	Choice	Step	Level	Cons	Qty	Rep. QTY
1		40062321		UNDERCOVERAASM.						1	
2	R	23639008	40062321	UNDER COVER				*		1	1.00
3		23639156		BRACKET ASM.				*		1	
4	R	23639107	23639156	BRACKET				*		1	1.00
5		NM6060001SE		NUT M6				*		2	
6		SM8063012TR		SCREW M6 L=30				*		2	
7		23639206		CONNECTING ROT				*		1	
8		23639305		KNEE PRESS ROD				*		1	
9		23639404		SHAFT				*		1	
10		23639503		SPRING				*		1	
11		23639602		CONNECTING ROD				*		1	
12		B1116210D00		FRAME SUPPORT RUBBER				*		4	
13		22932453		BRACKET ASM.				*		1	
14	R	22932404	22932453	BRACKET				*		1	1.00
15		22934707		SCREW				*		2	
16		NS6150310SP		NUT 15/64-28				*		2	
17		RE1000000K0		E-RING 10				*		2	
18		RE1000000K0		E-RING 10				*		1	
19		SD0720331SP		HINGE SCREW D=7.24 H=3.3				*		2	
20		SM9061853SR		SCREW M6 L=17.5				*		1	
21		SM9061853SR		SCREW M6 L=17.5				*		1	
22		WP0650876SD		WASHER 6.5X13X0.8				*		2	
23		22934251		KNEE PAD PLATE ASM.						1	
24		22934202		KNEE PAD PLATE				*		1	
25		22934301		KNEE PAD PLATE SUPPORT				*		1	
26		22934400		KNEE PAD PLATE RUBBER				*		1	
27		22934509		KNEE PAD PLATE COVER				*		1	
28		22934608		KNEE PAD UPRIGHT SHAFT				*		1	
29		SM9061203SE		SCREW M6 L=12				*		1	

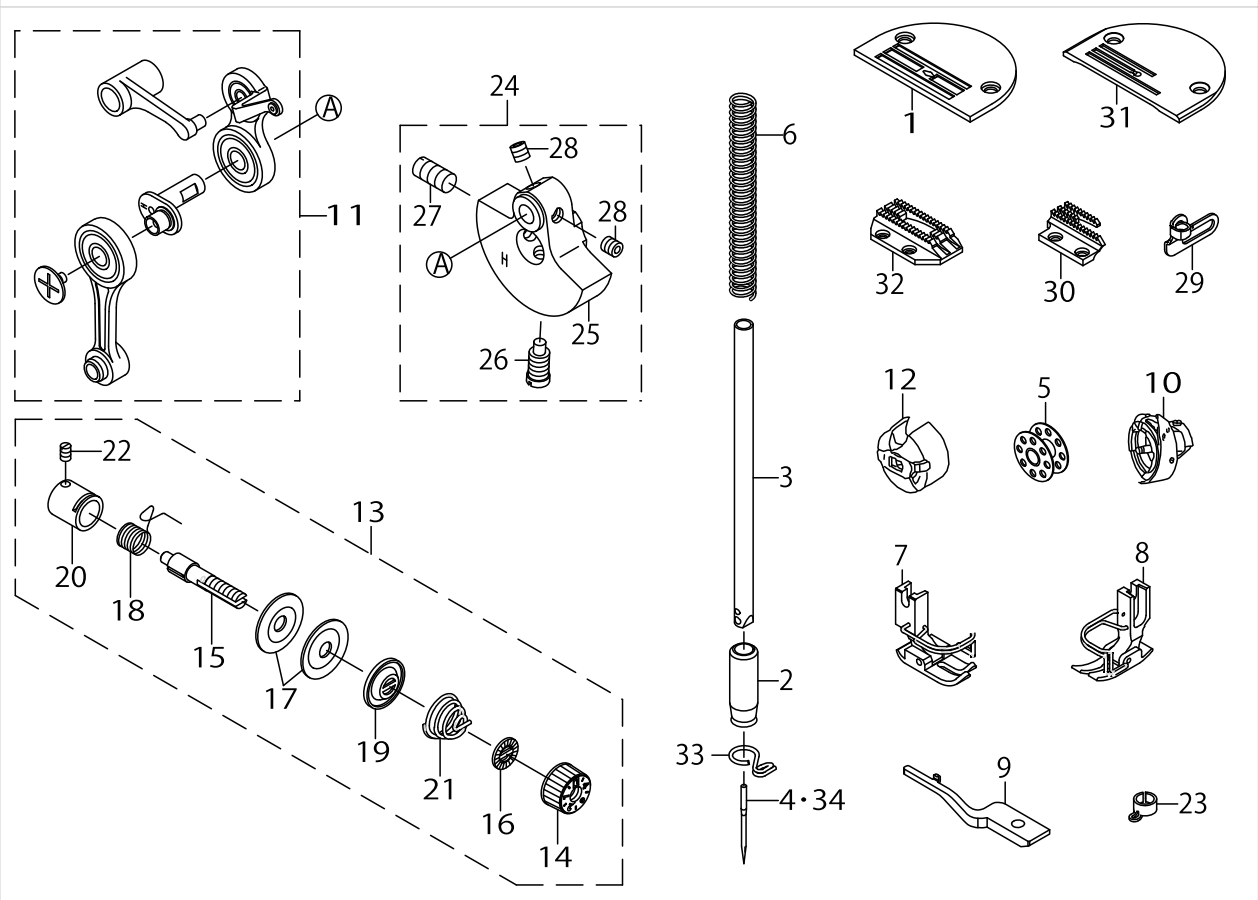
ACCESSORIE PART COMPONENTS



ACCESSORIE PART COMPONENTS

No.	Supply Code	Parts No.	Replacement	Parts name	Remarks	Choice	Step	Level	Cons	Qty	Rep. QTY
1		40135803		HEAD COVER						1	
2		22958052		RUBBER HINGE ASM.						1	
3	R	22926505	D8226555E00	WASHER				*		2	1.00
4	R	22926000	22958052	RUBBER CUSHION				*		2	1.00
5	R	22958003	11075900	FRAME BUBBER CUSHION				*		2	1.00
6	D	22926208		NAIL				*		8	
7	R	22926356	22958052	HINGE COMPL.				*		2	1.00
8		40089663		ACCESSORIE BAG ASM.						1	
9		22932800		ACCESSORIE BAG				*		1	
10		22931604		FRAME SUPPORT BAR				*		1	
11		40174570		HEAD_SUPPORT_ROD	FOR AK_AA/AK_GG			*		1	
12		23639701		KNEE LIFTER PRESSER ROD				*		1	
13		22933105		SCREW DRIVER (MIDDLE)				*		1	
14		22933204		SCREW DRIVER (SMALL)				*		1	
15		22502504		THREAD GUIDE BAR				*		1	
16		40055591		HEXAGONAL WRENCH KYE				*		1	
17		EA9500B0100		CABLE BAND				*		1	
18	D R	40102087	MDFRX1600C0	JUKI_MACHINE_OIL_7					☆	1	1.00
19		B91210120A0		OILER ASM.						1	
20	D	MDB100B1402		NEEDLE DBX1#14-2	FOR AA/EE				☆	1	
21		MDB100B1102		NEEDLE DBX1#11-2	FOR GG				☆	1	
22		40175824		DDL-9000CS SIMPLE MANUAL(10K)	FOR AA/EE					1	
23		40175870		DDL-9000CS SIMPLE MANUAL(CS)	FOR GG					1	
24		40175822		DDL-9000CS INSTR- UCTION MANUAL CD						1	
25		40174382		KA154 INSTRUCTION MANUAL/PARTS LIST	FOR AK_AA/AK_GG					1	
26		22964001		BOBBIN A					☆	1	
27	D	MC200500752		134 #75-2	FOR BB					1	

EXCLUSIVE PARTS DDL-9000C-SSH



EXCLUSIVE PARTS DDL-9000C-SSH

No.	Supply Code	Parts No.	Replacement	Parts name	Remarks	Choice	Step	Level	Cons	Qty	Rep. QTY
1		40089605		THROAT_PLATE_J	FOR AA/BB/EE					1	
2		40107708		NEEDLE_BAR_METAL_LOWER_H						1	
3		40061767		NEEDLE BAR H						1	
4		MDB100B2100		NEEDLE DBX1 #21	FOR AA/GG/EE				☆	1	
5	R	B9117012000	22932909	BOBBIN						1	1.00
6		B1505552000A		PRESSER SPRING						1	
7	R	D1524555EBL	D1524555ECL	PRESSER FOOT ASM.	FOR AA/BB/EE					1	1.00
8		40064839		PRESSER FOOT ASM.						1	
9		40174353		INNER_HOOK HOLDER_H						1	
10		11092251		LUBRICATING BOBBIN ASM.					☆	1	
11		40055604		THREAD TAKE UP COMP. H						1	
12		40000264		BOBBIN CASE ASM.					☆	1	
13		40037313		THREAD TENSION DISK ASM. H						1	
14		23626005		THREAD TENSION NUT				*		1	
15		B3115552000		TENSION POST				*		1	
16		B3120125000		ROTATING STOPPER				*		1	
17	R	B3126012000	22921506	THREAD TENSION DISK				*		2	1.00
18	R	B3128012000	22921605	TAKE-UP SPRING				*	☆	1	1.00
19		B3132552000		THREAD TENSION DISK PRESSER				*		1	
20		40024845		TENSION POST SOCKET ASM.				*		1	
21		B3114232000		THREAD TENSION SPRING				*		1	
22		SS8090670SP		SCREW 9/64-40 L=5.5				*		1	
23		40024124		NEEDLE BAR THREAD GUIDE						1	
24		40055058		ASSY COUNTER WEIGHT H						1	
25		40053411		COUNTER WEIGHT H				*		1	
26		40004171		COUNTER_WEIGHT_SCREW				*		1	
27		SM8081652TP		SCREW M8 L=16				*		1	
28		SM80606A2TP		SCREW M6 L=6				*		2	
29		40063697		ARM THREAD GUIDE A H						1	
30		11062601		FEED DOG	FOR GG					1	
31		11062007		THROAT PLATE A	FOR GG					1	
32		11403003		FEED J	FOR AA/BB/EE					1	
33		40023223		NEEDLE BAR THREAD GUIDE						1	
34		MC200501300		NEEDLE 134 NM130	FOR BB					1	

TABLE & STAND COMPONENTS

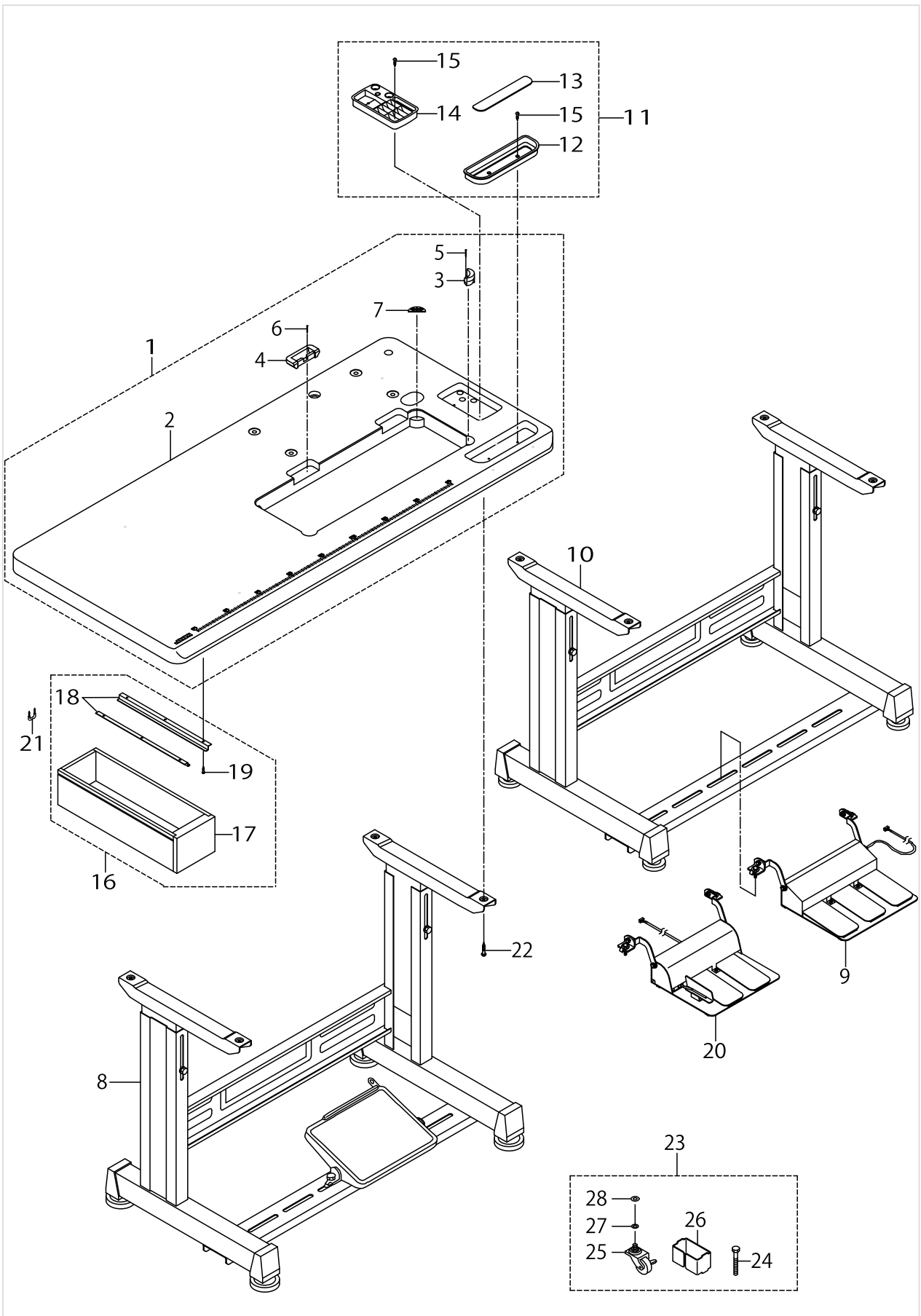
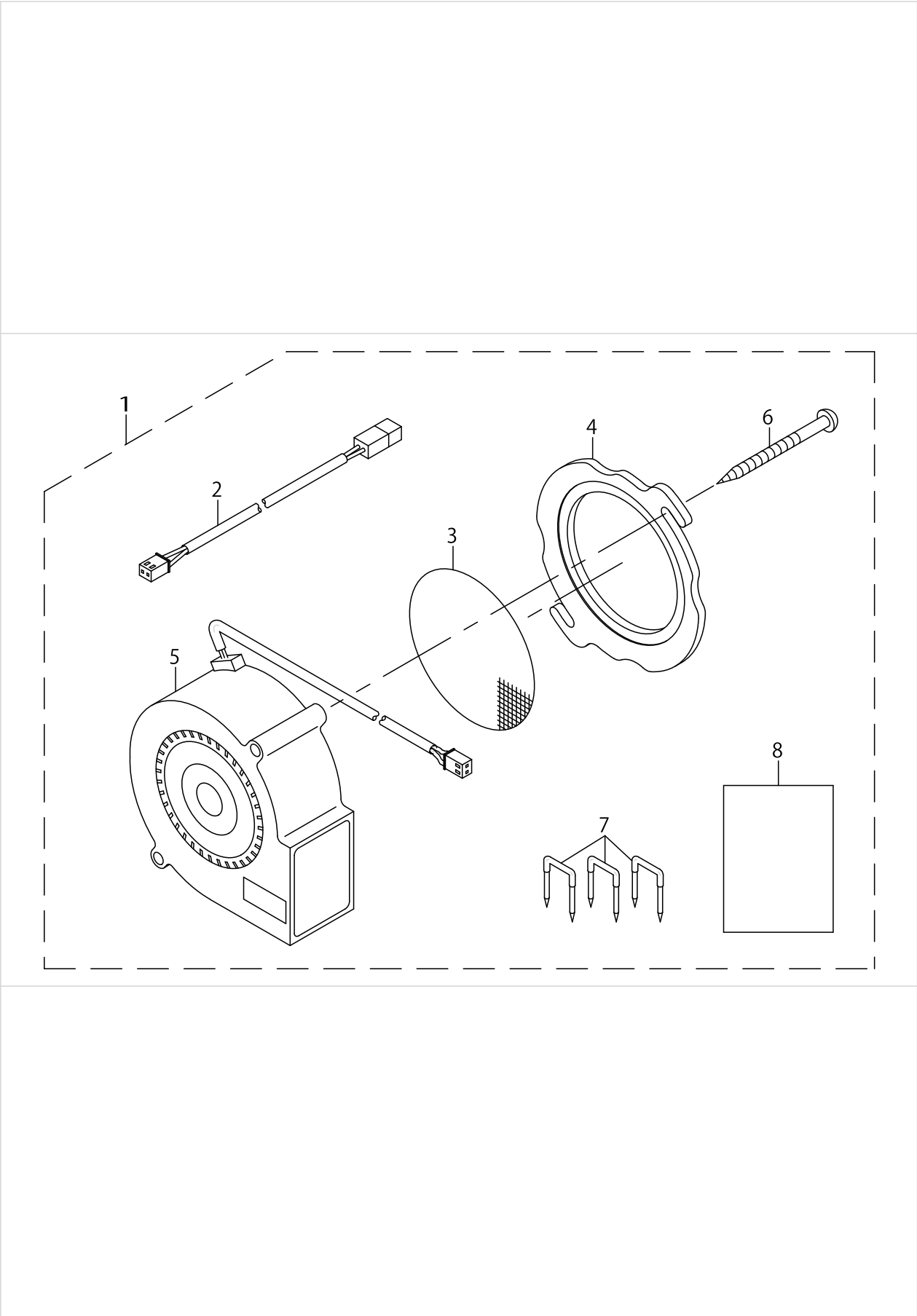


TABLE & STAND COMPONENTS

No.	Supply Code	Parts No.	Replacement	Parts name	Remarks	Choice	Step	Level	Cons	Qty	Rep. QTY
1		40174410		TABLE ASM.						1	
2		40172421		TABLE				*		1	
3		11075900		RUBBER SPACER				*		2	
4		11075801		RUBBER SPACER				*		2	
5		B8210012000		CUSHION SET NAIL				*		4	
6		B8210012000		CUSHION SET NAIL				*		4	
7		D8226555E00		FRAME RUBBER CUSHION A				*		2	
8		11157567		T LEG JUNCTION	FOR JT-D950					1	
9		GPK700010A0		3-JOINT PEDAL 70	FOR JT-D-95A/-D95B					1	
10	R	11157559	11157567	T-STAND ASM.	FOR JT-D-95A/-D95B					1	1.00
11		11155769		SMALL CASTINGS BOX B ASM.						1	
12		11156007		CASE				*		1	
13		11155801		CASE MAGNET				*		1	
14		11155751		CASE ASM. B				*		1	
15		SK3382001SC		WOOD SCREW D=3.8 L=20				*		4	
16		11155157		DRAWER ASM.						1	
17	R	11155108	11155157	DRAWER				*		1	1.00
18		11155207		DRAWER SUPPORT				*		2	
19		SK3311600SE		WOOD SCREW D=3.1 L=16				*		6	
20		GPK710010A0		2-PEDAL ASM. 71	FOR JT-D-95A/-D95B					1	
21		D8204555D00		DRAWER STOPPER						1	
22	R	SK3513200SC	SK3513201SE	WOOD SCREW D=5.1 L=32						4	1.00
23		11159456		CASTER ASM.	OPTIONAL PARTS					1	
24		SM9086523SE		HEXAGONAL BOLT				*		2	
25		11159407		CASTER				*		4	
26		11159506		STRUT AUXILIARY PLATE				*		2	
27		WS0861410KR		SPRING WASHER 8.6X15X1.4				*		2	
28		WP0871602SE		WASHER 8.7X18X1.6				*		2	

SPECIAL ORDER PARTS



SPECIAL ORDER PARTS

No.	Supply Code	Parts No.	Replacement	Parts name	Remarks	Choice	Step	Level	Cons	Qty	Rep. QTY
1		40065571		ELECTRIC FAN HO- OK COOLING DEVICE						1	
2		40044065		FAN_RELAY_CABLE				*		1	
3		40064805		FAN FILTER				*		1	
4		40064806		FANCOOLINGCOVER				*		1	
5		40065564		FAN MOTOR ASSY				*		1	
6		SK3415001SE		SCREW D=4.1 L=50				*		2	
7		MA011532000		CORD STAPLE				*		3	
8		40065572		HOOK COOLING DE- VICE INSTRUCTION MANUAL				*		1	

LIST FOR INFORMATION OF CHANGE

As to the place changed, refer to the corresponding Rev.No.
When previous parts(Obsolete part)and new parts(Added parts)are not interchangeable with each other:
In this case,even obsolete parts(D.)can be ordered with the obsolete part number,so select the parts with changed dates and place your orders.

変更箇所は、該当Rev.No.版をご参照ください。
部品の互換性がない変更の場合は、削除された品番でも、ご注文できます。

No.1689-01}・ Rev.No.

*A:Added parts追加部品/D:Obsolete parts削除部品/E:Erratum訂正

* Rev. No.	Page 頁	Ref. No.	Parts No. 品番	* Rev. No.	Page 頁	Ref. No.	Parts No. 品番		
D	00	2	7	401-39753					
D	00	10	60	401-74304	A	01	10	60	401-74317
					A	01	10	61	SM-8050612-TP
D	00	12	10	401-68921	A	01	12	10	401-68922
					A	01	12	50	401-74396
					A	01	16	88	401-74398
					A	01	16	89	400-86709
					A	01	16	90	401-74315
					A	01	16	91	401-74316
					A	01	16	92	401-72485
					A	01	16	93	401-72488
					A	01	16	94	401-68860
					A	01	16	95	401-72477
					A	01	16	96	401-74314
D	00	19	4	401-68922	A	01	19	4	401-68921
					A	01	23	27	MC-2005007-52
					A	01	24	34	MC-2005013-00

HOW TO MAKE USE OF THIS PARTS LIST

1.Explanation of codes

1)"*"mark.....means this part is changed from the previous parts book.

As to the details of the change, refer to the "List for information of change".

2)"#01".....refer to "Note" explanation at bottom of page.

2.Codes on the "Qty" column

- Each numeral indicates the number of parts required.
- "0.1" and "2.5" indicate the length (in meters) of the respective parts.

3.Parentheses mean that the corresponding part is a subpart that constructs an assembly part.

4.Dotted lines on the Figures indicate assembly parts.

5.As to the parts with marks of "☆"(consumable parts) and "◎"(optional parts)on the respective parts, it is recommended to prepare spares.

Sign	Place of destination
GG	China
BB	Europe
EE	Japan
AA	excludes China,Europe and Japan

1 ."注記"欄の記号説明

1) "*"印.....前回のパーツブックに比較して今回変更された部品を意味します。

変更内容は、"変更情報リスト"を参照してください。

2) "#01".....ページ下の"注記"の説明を参照してください。

2.数量欄の数字は、個数を表し、0.1、2.5等の数値は、長さ（単位メートル）を表します。

3.数量欄の（ ）は、組部品を構成している子部品であることを意味します。

4.イラストページの-----枠は、組構成であることを意味します。

5.リストページの"☆"（消耗部品）、"◎"（オプション部品）の印がついた部品は、予備を準備しておくことをお奨めします。

記号	仕向地
GG	中国
BB	ヨーロッパ
EE	日本
AA	中国、ヨーロッパ、日本を除く

NUMERICAL INDEX OF PARTS

PART NO	PAGE	REF NO.	PART NO	PAGE	REF NO.	PART NO	PAGE	REF NO.
10523702	16	33	22906309	10	47	22945703	4	47
10618304	28	49	22906408	8	4	22945802	4	48
11015906	24	4	22906457	8	3	22950000	28	76
11028008	4	77	22907406	12	14	22952501	18	56
11038650	24	29	22907802	12	32	22958003	44	5
11038759	24	25	22908008	12	26	22958052	44	2
11062007	46	31	22908552	12	34	22963409	2	45
11062601	46	30	22911002	16	19	22963458	2	43
11075801	48	4	22911101	16	11	22964001	24	26
11075900	48	3	22912307	18	54	22964001	44	26
11079506	24	36	22916506	24	3	23605207	8	13
11092251	46	10	22916555	24	2	23609456	12	27
11155108	48	17	22920300	12	5	23609605	12	30
11155157	48	16	22920409	12	6	23610207	12	16
11155207	48	18	22921209	4	60	23610306	12	21
11155751	48	14	22921308	6	27	23616709	16	21
11155769	48	11	22921407	4	62	23626005	4	61
11155801	48	13	22921407	6	28	23626005	46	14
11156007	48	12	22921506	4	63	23626104	4	78
11157559	48	10	22921506	6	29	23626807	12	3
11157567	48	8	22921605	4	64	23628803	34	46
11159407	48	25	22921704	4	65·69	23628902	34	47
11159456	48	23	22921704	6	30	23629207	34	53
11159506	48	26	22921803	4	66	23629256	34	52
11403003	46	32	22925101	34	58	23629306	32	28
11419504	28	83~87	22926000	44	4	23629405	32	34
11419603	28	83~87	22926208	44	6	23630007	32	56
11419702	28	83~87	22926356	44	7	23630007	34	56
11419801	28	83~87	22926505	44	3	23630106	32	38
11419900	28	83~87	22931604	44	10·11	23630403	32	41
11420601	26	6	22932404	42	14	23630502	32	42
13302708	2	42	22932453	42	13	23630601	32	40
13319405	20	26	22932800	44	9	23630650	32	39
13738802	28	82	22933105	44	13	23639008	42	2
22502504	44	15	22933204	44	14	23639107	42	4
22890206	24	30~32	22934202	42	24	23639156	42	3
22890305	24	30~32	22934251	42	23	23639206	42	7
22890404	24	30~32	22934301	42	25	23639305	42	8
22896252	24	34	22934400	42	26	23639404	42	9
22901300	2	33	22934509	42	27	23639503	42	10
22901409	8	2	22934608	42	28	23639602	42	11
22901409	34	51	22934707	42	15	23639701	44	12
22901805	4	52	22944508	12	11	26260208	6	3
22904106	16	23	22945414	2	44	26260307	6	4
22904155	16	22	22945604	4	46	26260406	6	5

NUMERICAL INDEX OF PARTS

PART NO	PAGE	REF NO.	PART NO	PAGE	REF NO.	PART NO	PAGE	REF NO.
26260505	6	6	40055058	46	24	40086696	16	36
26260604	6	7	40055591	44	16	40086697	32	22
26260802	6	8	40055604	46	11	40086699	36	14
26261206	6	10	40058504	16	16	40086709	28	15-89
26261305	6	11	40061215	26	34	40086711	28	46
26261503	6	12	40061246	16	15	40086712	28	52
26261602	6	13	40061767	46	3	40086731	8	46
26261701	6	14	40062168	26	19	40086735	16	34
40000264	46	12	40062321	42	1	40086736	16	40
40000344	32	21	40063697	46	29	40086748	28	65
40004171	8	17	40064805	50	3	40088958	6	25
40004171	46	26	40064806	50	4	40088959	6	26
40009037	4	71	40064839	46	8	40089605	46	1
40010278	36	8	40065564	50	5	40089663	44	8
40010805	24	11	40065571	50	1	40090058	8	6
40011144	6	15	40065572	50	8	40090099	28	61
40013595	32	32	40075404	34	59	40095843	28	62
40015671	28	66	40085784	40	17	40096325	40	21
40023223	46	33	40085785	40	18	40096326	40	10
40024124	46	23	40085786	40	2	40096327	40	12
40024845	46	20	40085787	40	3	40102087	44	18
40026277	16	10	40085788	40	4	40102261	2	26
40026281	16	28	40085789	40	5	40107708	46	2
40026282	16	32	40085790	40	6	40108401	40	16
40029398	26	37	40085791	40	7	40108402	40	1
40032269	8	38	40085792	40	19	40112420	4	65-69
40035589	2	16	40085793	40	20	40135803	44	1
40036706	14	44	40085794	40	8	40135904	8	15
40036997	26	35	40085795	40	9	40135905	8	31
40036998	26	33	40085796	40	23	40135907	8	35
40037005	16	27	40086597	8	20	40135916	8	16
40037008	6	32	40086602	8	8-48	40136258	34	62
40037141	12	23	40086604	10	8-48	40136700	12	15
40037144	12	24	40086605	8	9	40136701	26	14
40037313	46	13	40086606	12	17	40141440	8	44
40037359	12	22	40086607	12	18	40145927	24	10
40037365	16	9	40086616	16	45	40149785	32	20
40038328	34	48	40086623	28	68	40163141	38	13
40042079	16	17	40086624	28	63	40168860	30	24-94
40044065	50	2	40086635	28	54	40168921	36	4
40044857	8	12	40086639	4	58-68	40168922	20	10
40050582	12	2	40086640	4	59	40169408	38	12
40050583	12	36	40086691	24	13	40172134	16	25
40052933	4	55	40086692	24	14	40172135	24	16
40053411	46	25	40086695	16	35	40172137	20	2

NUMERICAL INDEX OF PARTS

PART NO	PAGE	REF NO.	PART NO	PAGE	REF NO.	PART NO	PAGE	REF NO.
40172138	16	44	40172448	20	24	40173460	38	1
40172146	8	27	40172451	20	34	40173461	38	2
40172362	2	1	40172452	20	35	40173462	38	11
40172366	2	14	40172453	20	29	40173467	20	40
40172367	2	29·30	40172454	20	23	40174291	18	47
40172368	2	31·32	40172455	20	12	40174293	18	52
40172369	2	29·30	40172456	36	6	40174294	18	53
40172370	2	31·32	40172457	36	13	40174296	16	1
40172371	2	3	40172458	36	12	40174297	16	2
40172373	2	4	40172459	36	2	40174298	16	7
40172374	2	5	40172460	16	41	40174299	16	26
40172375	2	11	40172461	20	38	40174300	16	13
40172376	2	12	40172467	16	38	40174302	16	14
40172377	8	25	40172469	32	6	40174305	2	20
40172378	18	46	40172477	26	26·95	40174306	32	11
40172380	6	1	40172477	30	26·95	40174307	32	33
40172381	6	2	40172478	26	27·96	40174314	30	27·96
40172382	6	16	40172479	26	28	40174315	28	17·90
40172383	6	9	40172480	26	30	40174316	30	11·91
40172384	4	73	40172481	26	20	40174317	18	60
40172386	38	7	40172482	26	21	40174318	26	4·93
40172390	2	37	40172483	28	57	40174319	26	1·92
40172391	2	18	40172484	26	24·94	40174321	20	5
40172392	2	22	40172485	30	1·92	40174323	26	13·88
40172393	8	22	40172486	26	3	40174324	26	15·89
40172398	8	21	40172487	26	2	40174325	20	9
40172399	8	1	40172488	30	4·93	40174328	24	1
40172401	12	39	40172489	26	5	40174331	24	6
40172402	12	40	40172490	28	69	40174332	24	7
40172403	14	42	40172491	26	39	40174333	24	17
40172417	6	17	40172494	26	40	40174334	22	49
40172418	8	24	40172495	28	53	40174335	24	19~23
40172420	38	8	40172496	28	56	40174336	24	19~23
40172421	48	2	40172497	26	7	40174337	24	19~231
40172422	38	3	40172498	26	9	40174338	24	19~23
40172423	38	4	40172499	26	11·91	40174341	8	30
40172430	32	16	40172500	26	17·90	40174342	8	32
40172433	32	17	40172501	28	72	40174343	8	33
40172436	32	29	40172502	28	73	40174344	8	34
40172437	32	19	40172503	28	74	40174349	8	41
40172439	20	41	40172504	28	71	40174351	24	27
40172440	20	28·50	40172508	16	43	40174353	46	9
40172443	20	14	40172509	18	49	40174356	34	60
40172444	20	18	40172510	18	50	40174358	32	3
40172446	20	21	40173459	38	6	40174359	32	4

NUMERICAL INDEX OF PARTS

PART NO	PAGE	REF NO.	PART NO	PAGE	REF NO.	PART NO	PAGE	REF NO.
40174360	32	7	B15240120BA	12	9	MDB100B1100	8	42·43
40174361	32	8	B1613012I00	20	45	MDB100B1102	44	20·21·27
40174362	32	13	B2431215000	18	51	MDB100B1400	8	42·43
40174365	32	44	B3114232000	46	21	MDB100B1402	44	20·21·27
40174366	36	1	B3115552000	46	15	MDB100B2100	46	4·34
40174368	2	8	B3118552F00	12	7	NM6030001SC	38	15
40174369	24	19~23	B3120125000	46	16	NM6040001SE	26	42
40174372	36	16	B3126012000	46	17	NM6040001SP	28	67
40174373	4	49	B3128012000	46	18	NM6050001SC	26	16
40174377	12	28	B3132552000	46	19	NM6050001SE	40	25
40174382	44	22~25	B412352200A	16	4~6	NM6060001SC	28	58
40174385	4	53	B412352200B	16	4~6	NM6060001SE	42	5
40174387	12	25	B412352200C	16	4~6	NM6060003SE	14	45
40174388	12	38	B8210012000	48	6	NS6110310SP	28	51
40174389	12	1	B9117012000	46	5	NS6150310SP	28	77
40174392	4	50	B9117552A00	24	33	NS6150310SP	42	16
40174394	32	12	B91210120A0	44	19	NS6620310SP	12	10
40174396	22	28·50	CM300200001	2	27	RC0560711KP	6	18
40174398	28	13·88	CM300200003	2	28	RC0740811KP	20	31
40174399	34	61	CM300300003	20	44	RC1200001KP	20	4
40174405	18	58	CM300300003	36	18	RC2651218KP	26	32
40174408	38	17	CQ200000001	34	57	RE0300000K0	8	36
40174410	48	1	CQ250000001	34	54	RE0400000K0	6	19
40174570	44	10·11	CS0800881TP	26	22	RE0500000K0	12	37
40174573	14	46	CS1000881TP	8	39	RE0500000K0	28	48
40174575	4	58·68	CS1201171TP	20	7	RE1000000K0	42	18
40174577	20	46	D1524555EBL	46	7	RO036080200	24	35
40174580	38	9	D8204555D00	48	21	RO037180100	12	35
40174581	20	15	D8226555E00	48	7	RO037180100	32	45
40174582	20	16	EA9500B0100	2	35·36	RO044240100	14	43
40174583	26	41	EA9500B0100	8	29	RO048190100	32	23
40174584	26	44	EA9500B0100	38	19	RO061180100	32	18
40174590	20	1	EA9500B0100	44	17	RO068190100	34	49
40175585	38	18	G1812870000	24	12	RO098240100	32	31
40175822	44	22~25	GPK26023000	14	51	SB120001800	20	3
40175824	44	22~25	GPK700010A0	48	9	SB120002700	8	11
40175870	44	22~25	GPK710010A0	48	20	SB408000100	20	33
40178658	32	37	HM002230000	20	36	SB408000100	24	18
B1109012I0B	4	75·76	HX00150000A	14	49	SB408000100	36	11
B1109552000	4	75·76	HX00150000K	32	43	SB412000100	20	6
B1116210D00	26	8	HX00339000E	2	38	SD0500403TP	26	25
B1116210D00	42	12	KX000000230	2	35·36	SD0500701TP	28	50
B1116804000	28	60	MAO11532000	50	7	SD0630275SP	28	75
B1505552000A	46	6	MC200500752	44	20·21·27	SD0641456TP	26	38
B1521555000	12	33	MC200501300	46	4·34	SD0720331SP	42	19

NUMERICAL INDEX OF PARTS

PART NO	PAGE	REF NO.	PART NO	PAGE	REF NO.	PART NO	PAGE	REF NO.
SK3311600SE	48	19	SM6042000SP	22	47	SM8480652TP	36	15
SK3382001SC	48	15	SM6050802TP	20	42	SM9040650TP	20	17
SK3415001SE	50	6	SM6050802TP	28	70	SM9061203SE	42	29
SK3513200SC	48	22	SM6050802TP	34	50	SM9061853SR	42	21
SL4031081SC	38	14	SM6051400SP	12	19	SM9086523SE	48	24
SL4031491SC	20	37	SM6051400SP	16	29	SQ2050453MZ	34	63
SL4040881SC	4	72	SM6051402TP	14	47	SS4080620TP	20	30
SL4041281SC	4	74	SM6051402TP	26	18	SS4111015SP	24	28
SL4051091SC	32	30	SM6051602TP	18	55	SS6060210SP	2	34
SL6040892TN	2	39	SM6051602TP	36	3	SS6090620TP	16	20
SL6040892TN	32	24	SM6051850TP	18	57	SS6090670TP	8	5
SL6051492TN	2	15	SM6060802TP	2	23	SS6090670TP	16	8
SL6052592TN	8	28	SM6061002TP	20	13	SS6090670TP	26	36
SM0050801SC	6	33	SM6061002TP	28	81	SS6110710TP	24	15
SM2040750TP	2	25	SM6061002TP	36	7	SS6110710TP	28	47
SM2040955TP	2	24	SM8040412TP	6	21	SS6121610SP	16	18
SM4040601SC	14	50	SM8040612TP	4	51	SS7080510TP	8	7
SM4040655SP	12	12	SM8050402TP	32	2	SS7091110TP	12	20
SM4040655SP	18	59	SM8050502TP	6	22	SS8090670SP	4	67
SM4040655SP	32	14	SM8050612TP	18	61	SS8090670SP	46	22
SM4040855SP	2	17	SM8050612TP	36	10	SS8150822TP	16	3
SM4041055SP	12	13	SM80506A2TP	8	40	SS8660610TP	16	24
SM4041255SP	20	39	SM80506A2TP	16	37	SV4030802SN	38	10
SM4041455SN	2	10	SM80506A2TP	26	31	TA0180401M0	24	8
SM4050655SP	2	54	SM8050802TP	38	16	TA0290301M0	24	9
SM4050655SP	4	54	SM80606A2TP	8	19	TA1250406R0	2	41
SM4050655SP	26	10	SM80606A2TP	16	42	WP0450801SD	32	15
SM4050855SP	2	2	SM80606A2TP	20	8	WP0450826SC	6	23
SM4050855SP	16	31	SM80606A2TP	28	64	WP0501016SD	14	48
SM4050855SP	36	17	SM80606A2TP	46	28	WP0531000SD	16	30
SM4051055SP	2	13	SM8060812TP	28	55	WP0531001SC	40	15
SM4051055SP	6	31	SM80608A2TP	2	57	WP0550800SP	20	43
SM4051255SP	2	9	SM80608A2TP	4	57	WP0621016SD	12	8
SM4051255SP	20	22	SM80608A2TP	8	37	WP0621016SD	28	45
SM4051255SP	32	5	SM80608A2TP	14	41	WP0621016SH	28	78
SM4051255SP	36	9	SM80608A2TP	22	48	WP0650876SD	42	22
SM4051405SE	40	24	SM80608A2TP	24	24	WP0820516SP	20	32
SM5040655SN	4	70	SM80608A2TP	26	12	WP0871602SE	48	28
SM5040655SN	6	20	SM8061010TP	28	80	WP1612616SE	40	22
SM5040655SN	34	55	SM8061050TP	28	79	WS0410002KR	26	43
SM6040602TP	12	31	SM8063012TR	42	6	WS0510002KN	40	14
SM6040602TP	32	9	SM8081652TP	8	18	WS0861410KR	48	27
SM6041002TP	20	11	SM8081652TP	46	27			
SM6041002TP	36	5	SM8480652TP	20	25			
SM6042000SP	8	45	SM8480652TP	26	29			