

MODEL : LU-1520NCS-7

List No : 1688-01

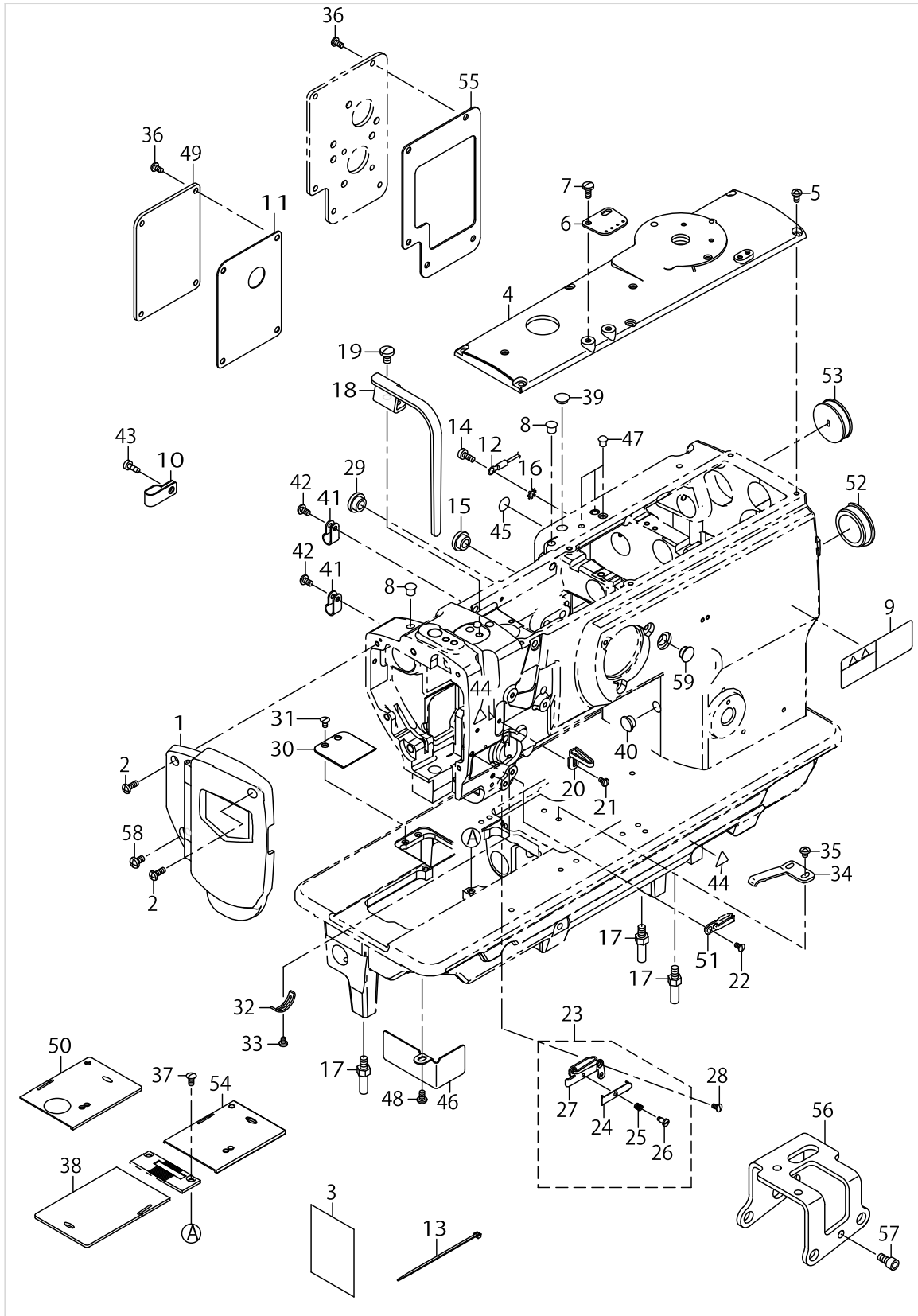
PARTS LIST

Published:05/12/2017

CONTENTS

FRAME & MISCELLANEOUS COVER COMPONENTS	1
UPPER SHAFT,LOWER SHAFT DRIVING & BALANCE COMPONENTS	5
NEEDLE BAR ROCKING COMPONENTS	9
PRESSURE ADJUSTING & UPPER FEED MECHANISM COMPONENTS (1).....	11
PRESSURE ADJUSTING & UPPER FEED MECHANISM COMPONENTS (2).....	15
FEED MECHANISM COMPONENTS.....	17
HOOK SHAFT & LOWER SHAFT COMPONENTS	21
THREAD CUTTING COMPONENTS.....	25
AUTOMATIC BACK & CONDENSE COMPONENTS.....	29
THREAD RELEASE COMPONENTS.....	31
THREAD TENSION COMPONENTS	33
LOWER THREAD WINDER MECHANISM COMPONENTS	35
AUTOMATIC PRESSER LIFTING MECHANISM COMPONENTS	37
AIR MECHANISM COMPONENTS.....	39
LUBRICATION COMPONENTS	41
BELT COVER & OIL RESERVOIR COMPONENTS.....	45
THREAD STAND COMPONENTS.....	47
ACCESSORIES PARTS COMPONENTS	49
GAUGE COMPONENTS (1).....	51
GAUGE COMPONENTS (2).....	53
GAUGE COMPONENTS (3).....	55
OPTIONAL PARTS (DL MECHANISM) COMPONENTS	57
OPTIONAL PARTS (ADDITIONAL SPRING FOR PRESSER BAR) COMPONENTS.....	59
OPTIONAL PARTS (SUSPENSION SQUARE) COMPONENTS	61
OPTIONAL PARTS (THREAD CLAMP DEVICE) COMPONENTS.....	63
LIST FOR INFORMATION OF CHANGE.....	65
HOW TO MAKE USE OF THIS PARTS LIST	66

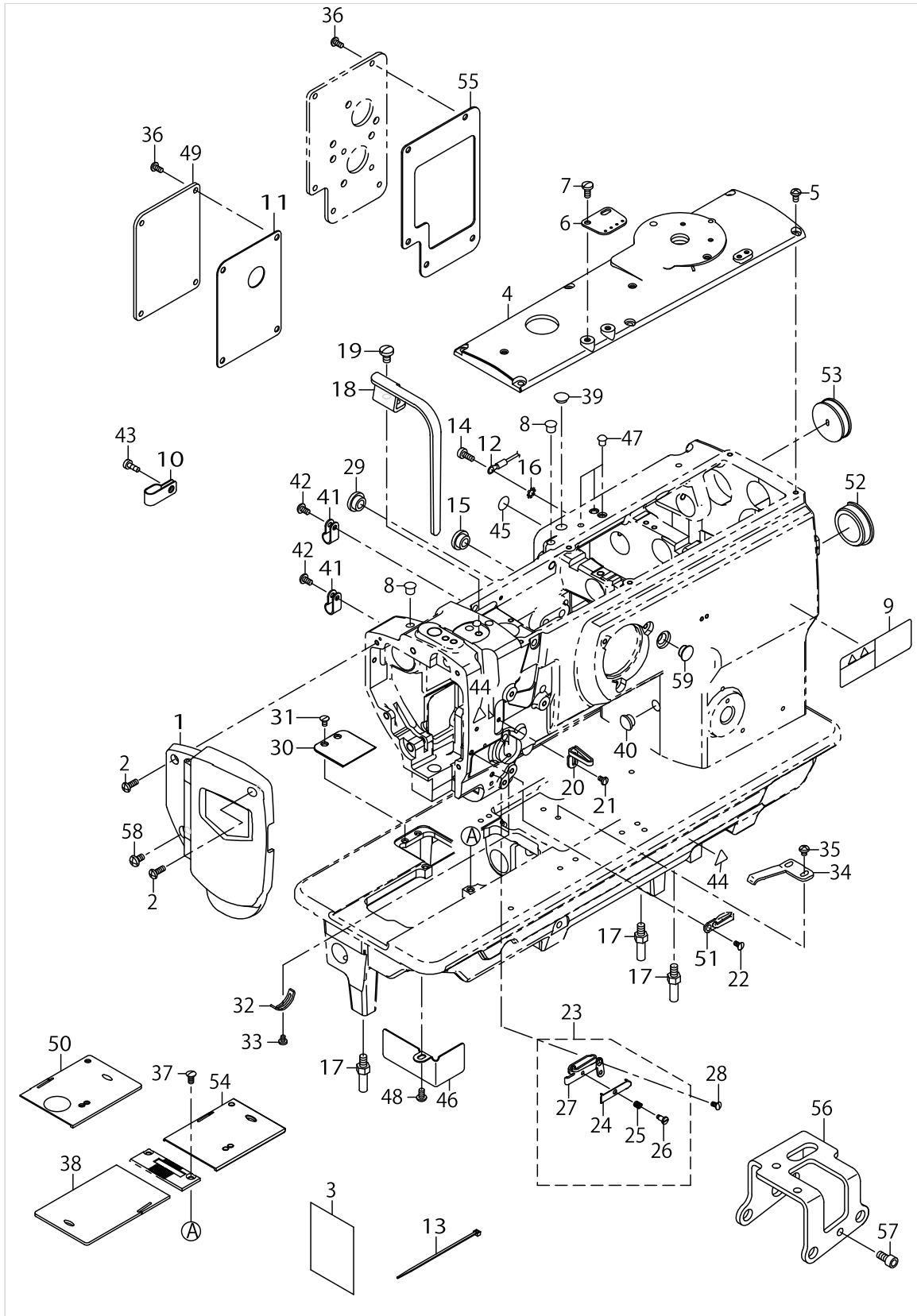
FRAME & MISCELLANEOUS COVER COMPONENTS



FRAME & MISCELLANEOUS COVER COMPONENTS

No.	Supply Code	Parts No.	Replacement	Parts name	Remarks	Choice	Step	Level	Cons	Qty	Rep. QTY
1		40016798		FACE PLATE ASM.						1	
2		SS4111215SP		SCREW11/64-40L=12						2	
3		40152631		LUBRICATION SUPPLEMENT						1	
4		21331301		TOP COVER B						1	
5		SS4110815SP		SCREW 11/64-40 L=8						6	
6		21355904		ARM THREAD GUIDE						1	
7		SS7621040SP		SCREW 3/16-32 L=9.5						2	
8		TA0750704R0		RUBBER PLUG						2	
9		CM301300001		SAFETY LABEL						1	
10		D2112555B00		CORD HOLDER LARGE						1	
11		21437306		WINDOW PLATE E PACKING						1	
12		22951552		GROUND WIRE ASM.						1	
13		EA9500B0100		CABLE BAND						1	
14		SS6111140SP		SCREW11/64-40L=11						1	
15		TA1250504R0		RUBBER PLUG						1	
16		WT0530002KS		TOOTHED WASHER D=5.3						1	
17		22602601		BED SCREW STUD						3	
18		21331608		BALANCE COVER						1	
19		SS7150910TP		SCREW 15/64-28 L=9						1	
20		40125273		THREAD_GUIDE						1	
21		SS5090610SP		SCREW 9/64-40 L=6						1	
22		SS2090710TP		SCREW 9/64-40 L=7.2						1	
23		21355656		THREAD GUIDE ASM.						1	
24		17912106		NEEDLE THREAD PRESSER PLATE				*		1	
25		B1132521000		THREAD PRESSER PLATE SPRING				*		1	
26		SD0380551SL		HINGE SCREW D=3.80 H=5.5				*		1	
27	R	21355607	21355656	THREAD GUIDE PLATE				*		1	1.00
28		SS2090710TP		SCREW 9/64-40 L=7.2						1	
29		10622009		COAD BUSH						1	
30		40162281		AUXILIARY_COVER						1	
31		SM1040750TP		SCREW M4 L=7						2	
32		B3138512000		TAKE-UP SPRING A-DJUSTING PLATE						1	
33		SS7090520TP		SCREW 9/64-40 L=4.5						1	
34		B1111563000		BED SLIDE SPRING						1	
35		SS4110515SP		SCREW 11/64-40 L=5						2	
36		SS4110815SP		SCREW 11/64-40 L=8						4	
37		SS2110920TP		SCREW 11/64-40 L=8.5						2	
38		21349600		SLIDING PLATE (LEFT)						1	
39		TA1250504R0		RUBBER PLUG						1	
40		TA1050504R0		RUBBER PLUG						1	
41		HX00123000A		CABLE CLIP						2	
42		SS4110815SP		SCREW 11/64-40 L=8						2	
43		SS6111140SP		SCREW11/64-40L=11						1	
44		CM300200001		ATTENTION SEAL						2	
45		22901805		GROUND MARK						1	
46		21332200		OIL SHIELD (LEFT)						1	

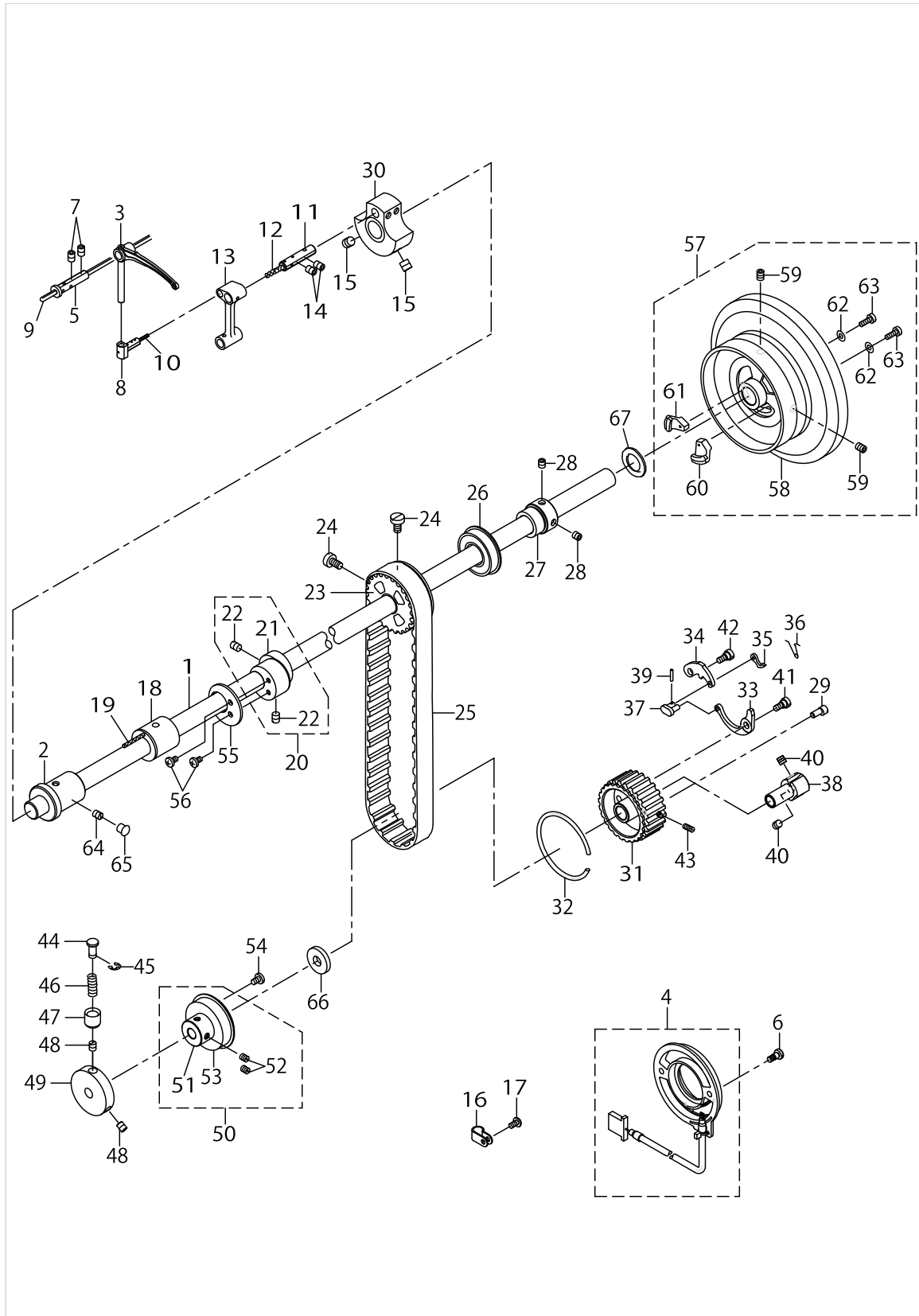
FRAME & MISCELLANEOUS COVER COMPONENTS



FRAME & MISCELLANEOUS COVER COMPONENTS

No.	Supply Code	Parts No.	Replacement	Parts name	Remarks	Choice	Step	Level	Cons	Qty	Rep. QTY
47		TA0550604R0		RUBBER PLUG						3	
48		SS4110815SP		SCREW 11/64-40 L=8						1	
49		21437108		WINDOW PLATE E						1	
50		40172093		SLIDE_PLATE_WITH_- WINDOW_R_ASM.	OPTIONAL PARTS					1	
51		22603112		THREAD GUIDE						1	
52		22619100		CAP						1	
53		10201200		RUBBER PLUG						1	
54		40162280		SLIDE_PLATE_R						1	
55		21332002		WINDOW PLATE PACKING B						1	
56		21343207		KNEE LIFTER SHAFT BASIS						1	
57		SM6061202TP		SCREW M6 L=12						3	
58		SS4150915SP		SCREW 15/64-28 L=9						1	
59		TA1050504R0		RUBBER PLUG						1	

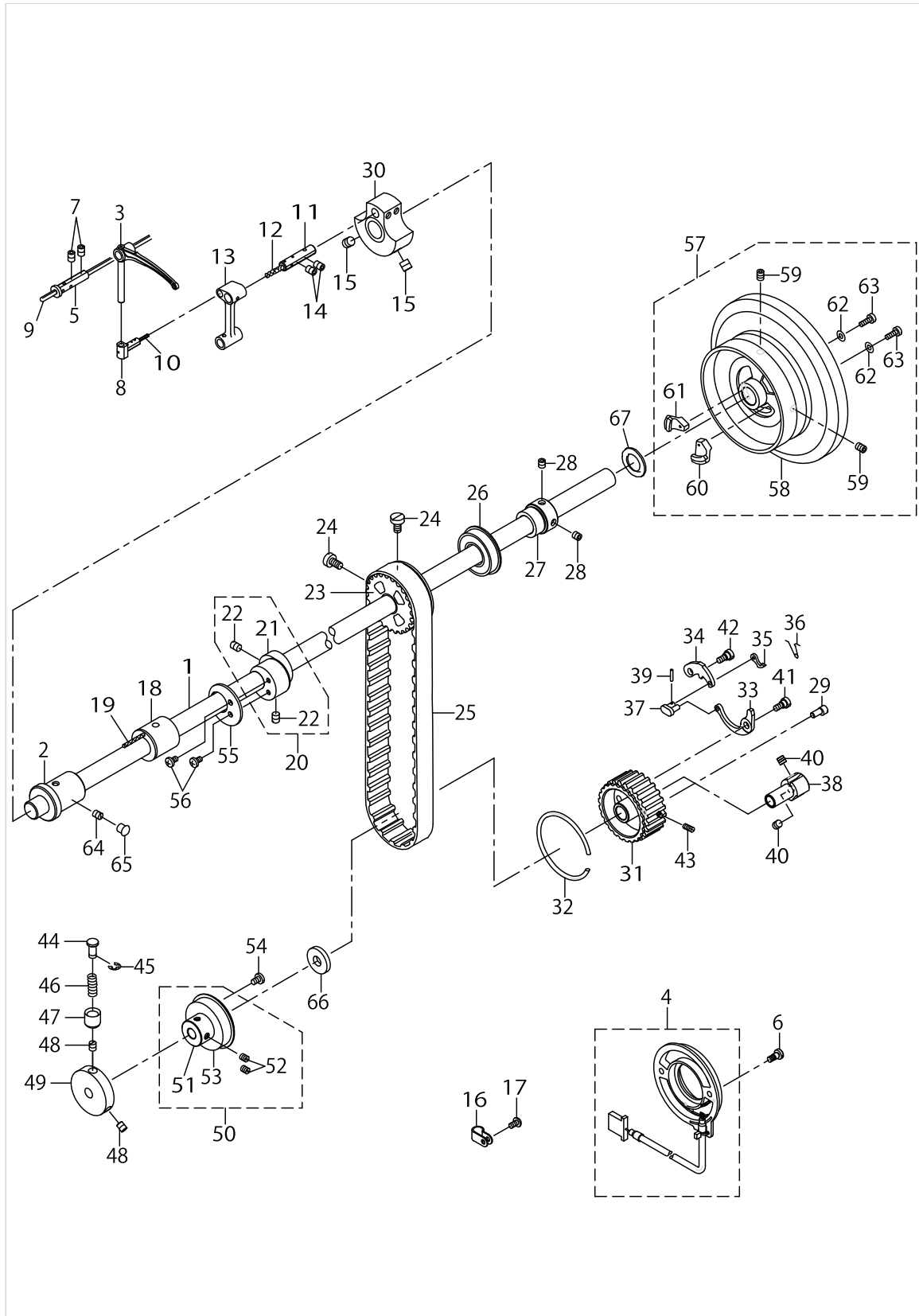
UPPER SHAFT, LOWER SHAFT DRIVING & BALANCE COMPONENTS



UPPER SHAFT,LOWER SHAFT DRIVING & BALANCE COMPONENTS

No.	Supply Code	Parts No.	Replacement	Parts name	Remarks	Choice	Step	Level	Cons	Qty	Rep. QTY
1		21332705		UPPER SHAFT						1	
2		21333000		UPPER SHAFT FRONT METAL						1	
3		40041734		THREAD TAKE-UP LEVER						1	
4		40024855		CONTAIN SYNCHRO ASM.						1	
5		B1906051000		TAKE-UP LEVER PIN						1	
6		10604809		SCREW						2	
7		SS8150822TP		SCREW 15/64-28 L=8						2	
8		B1907526000		TAKE-UP LEVER THRUST PIN						1	
9		CQ303000000		OIL WICK						.45	
10		CQ202000000		OIL WICK						.03	
11		B1210051000		NEEDLE BAR CRANK PIN						1	
12		CQ505000000		OIL WICK						.03	
13		B1408051000		NEEDLE BAR CRANK ROD						1	
14		SS8150822TP		SCREW 15/64-28 L=8						2	
15		SM8080812TP		SCREW M8X8						2	
16		HX00123000A		CABLE CLIP						1	
17		SS4110815SP		SCREW 11/64-40 L=8						1	
18		21333109		UPPER SHAFT INNER METAL						1	
19		CQ202000000		OIL WICK						.15	
20		21336557		ECCENTRIC CAM A ASM.						1	
21	R	21336508	21336557	ECCENTRIC CAM A				*		1	1.00
22		SS8660810TP		SCREW 1/4-40 L=8				*		2	
23		40038692		UPPER SPROCKET						1	
24		SS6661110SP		SCREW 1/4-40 L=11						2	
25		22604300		TIMING BELT					☆	1	
26		40143083		BEARING						1	
27		21402300		UPPER SHAFT BEARING HOOK						1	
28		SM8060602TP		SCREW M6X6						2	
29		21387907		ADJUSTING PIN (1.2)						1	
30		21332606		COUNTER WEIGHT (B) (38MM)						1	
31		21387501		LOWER SPROCKET						1	
32		B1214019000		SPROCKET RING						1	
33		21387709		SAFETY CLUTCH SPRING						1	
34		21387600		SAFETY CLUTCH HOOK						1	
35		B1308055000		SAFETY CLUTCH COUNTER-HOOK						1	
36		40113224		COUNTER HOOK SPRING						1	
37		B1310055000		SAFETY CLUTCH SMALL LINK						1	
38		21387808		SAFETY BASE						1	
39		B1314055000		SAFETY CLUTCH SMALL LINK PIN						1	
40		SS8660612TP		SCREW 1/4-40 L=6						2	
41		SD0640322TP		HINGE SCREW D=6.35 H=3.2						1	
42		SD0640322TP		HINGE SCREW D=6.35 H=3.2						1	
43		SS8111010TP		SCREW 11/64-40 L=9.5						1	
44		40104367		SAFETY CLUTCH PUSH BUTTON						1	
45		RE0500000K0		E-RING 5						1	
46		B1639051000		SPRING						1	

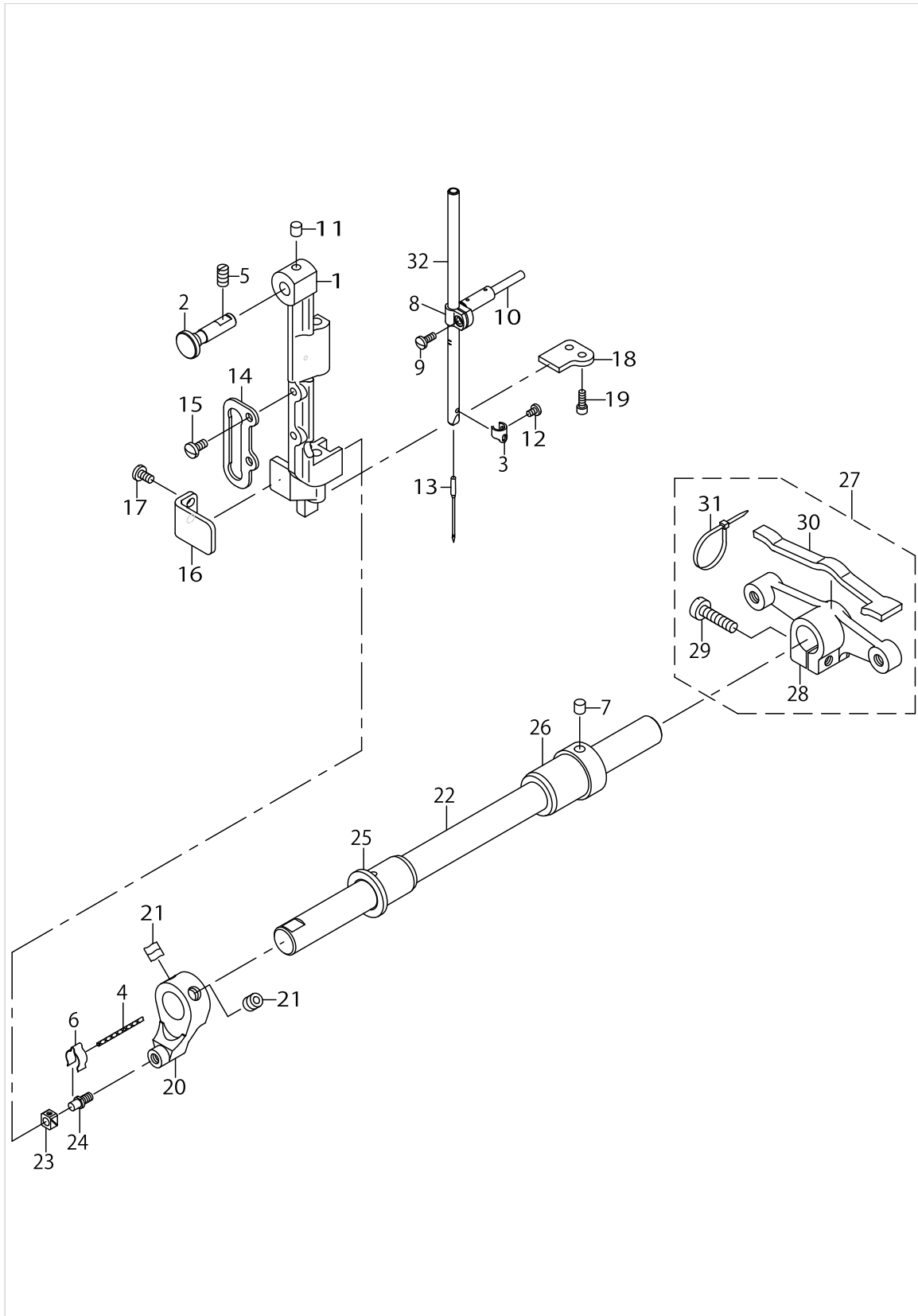
UPPER SHAFT, LOWER SHAFT DRIVING & BALANCE COMPONENTS



UPPER SHAFT,LOWER SHAFT DRIVING & BALANCE COMPONENTS

No.	Supply Code	Parts No.	Replacement	Parts name	Remarks	Choice	Step	Level	Cons	Qty	Rep. QTY
47		B1313055000		SAFETY CLUTCH KNOB SLEEVE						1	
48		SS8660530TP		SCREW 1/4-40 L=4.5						2	
49		21333901		SAFETY CLUTCH DISC						1	
50		40038700		THRUST COLLAR ASM.						1	
51	R	40038702	40038700	THRUST COLLAR				*		1	1.00
52		SS8661030SP		SCREW 1/4-40 L=10				*		2	
53		SB120000200		BEARING 20X42				*		1	
54		SS7120760SP		SCREW 3/16-28 L=7.0						2	
55		21353008		HORIZONTAL FEED CAM COVER						1	
56		SS7110710SP		SCREW 11/64-40 L=7						2	
57		40170679		FLYWHEEL ASM.						1	
58		40165979		FLYWHEEL				*		1	
59		SS8150822TP		SCREW 15/64-28 L=8				*		2	
60		M40071100AA		MAGNET FITTING BASE A ASM.				*		1	
61		M40071100AB		MAGNET FITTING BASE B ASM.				*		1	
62		WP0450801SD		WASHER 4.5X10X0.8				*		2	
63		SS6111210SP		SCREW 11/64-40L=12				*		2	
64		SS8150710TP		SCREW 15/64-28 L=7						1	
65		TA0750704R0		RUBBER PLUG						1	
66		40016148		THRUST COLLAR B WASHER						1	
67		22606206		SPACER Y						1	

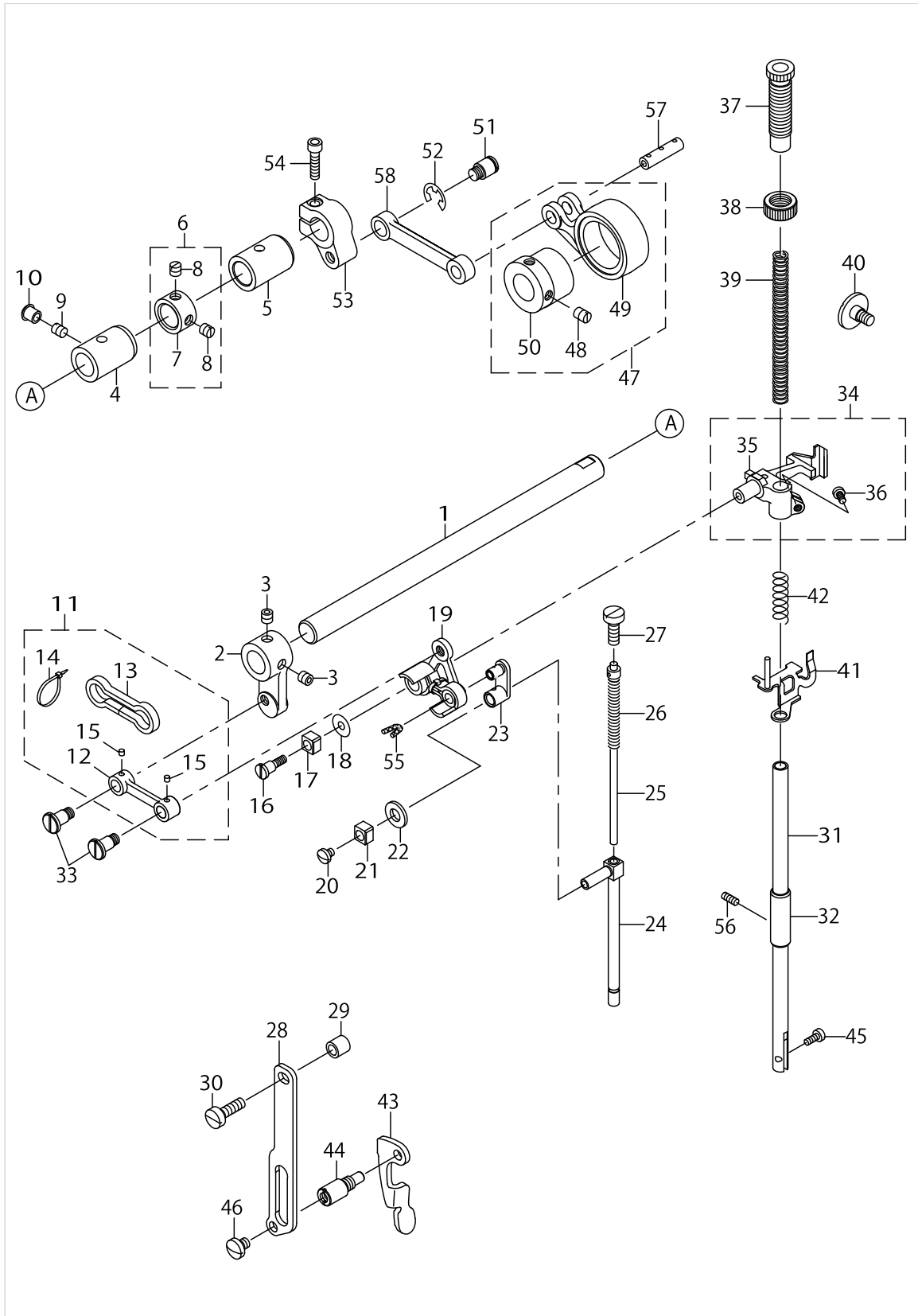
NEEDLE BAR ROCKING COMPONENTS



NEEDLE BAR ROCKING COMPONENTS

No.	Supply Code	Parts No.	Replacement	Parts name	Remarks	Choice	Step	Level	Cons	Qty	Rep. QTY
1		B1420563000		NEEDLE BAR FRAME						1	
2		21405204		HINGE STUD						1	
3		21338504		NEEDLE BAR THREAD RACK					☆	1	
4		CQ202000000		OIL WICK						.05	
5		SS8151150TP		SCREW 15/64-28 L=10.5						1	
6		B1437051000		OIL WICK RETAINER						1	
7		21387402		FELT						1	
8	D	B1411053000		NEEDLE BAR CONNECTION						1	
9	R	SS7090910SP	SS7090910TP	SCREW 9/64-40 L=8.5						1	1.00
10		B1412051000		FELT						1	
11		22814909		FELT						1	
12		SS7080510TP		SCREW 1/8-44 L=4.5					☆	1	
13		M13517B1200		NEEDLE 135X17 #120					☆	1	
14		B1467563000		UPPER FEED BAR GUIDE						1	
15		SS7110910TP		SCREW 11/64-40 L=8.5						2	
16		21388400		ROCKING BASE GUIDE						1	
17		SS7110830SP		SCREW 11/64-40 L=7.5						2	
18		21338603		ROCKING BASE GUIDE (B)						1	
19		SS6091022TP		SCREW						2	
20		21338801		ROCKINGFRONTARM						1	
21		SM8080802TP		SCREW						2	
22		21338900		ROCKING SHAFT						1	
23		B1414232000		SQUARE BLOCK						1	
24		B1410771000		STUD						1	
25		21339304		ROCKING SHAFT FRONT METAL						1	
26		40027746		BUSHING REAR						1	
27		21339056		ROCKING REAR ARM ASM.						1	
28		21339007		ROCKING REAR ARM					*	1	
29		SS6152440SP		SCREW 15/64-28 L=23.5					*	1	
30		21347406		ROCKING REAR ARM FELT					*	1	
31		EA9500B0100		CABLE BAND					*	2	
32		40162282		NEEDLE_BAR						1	

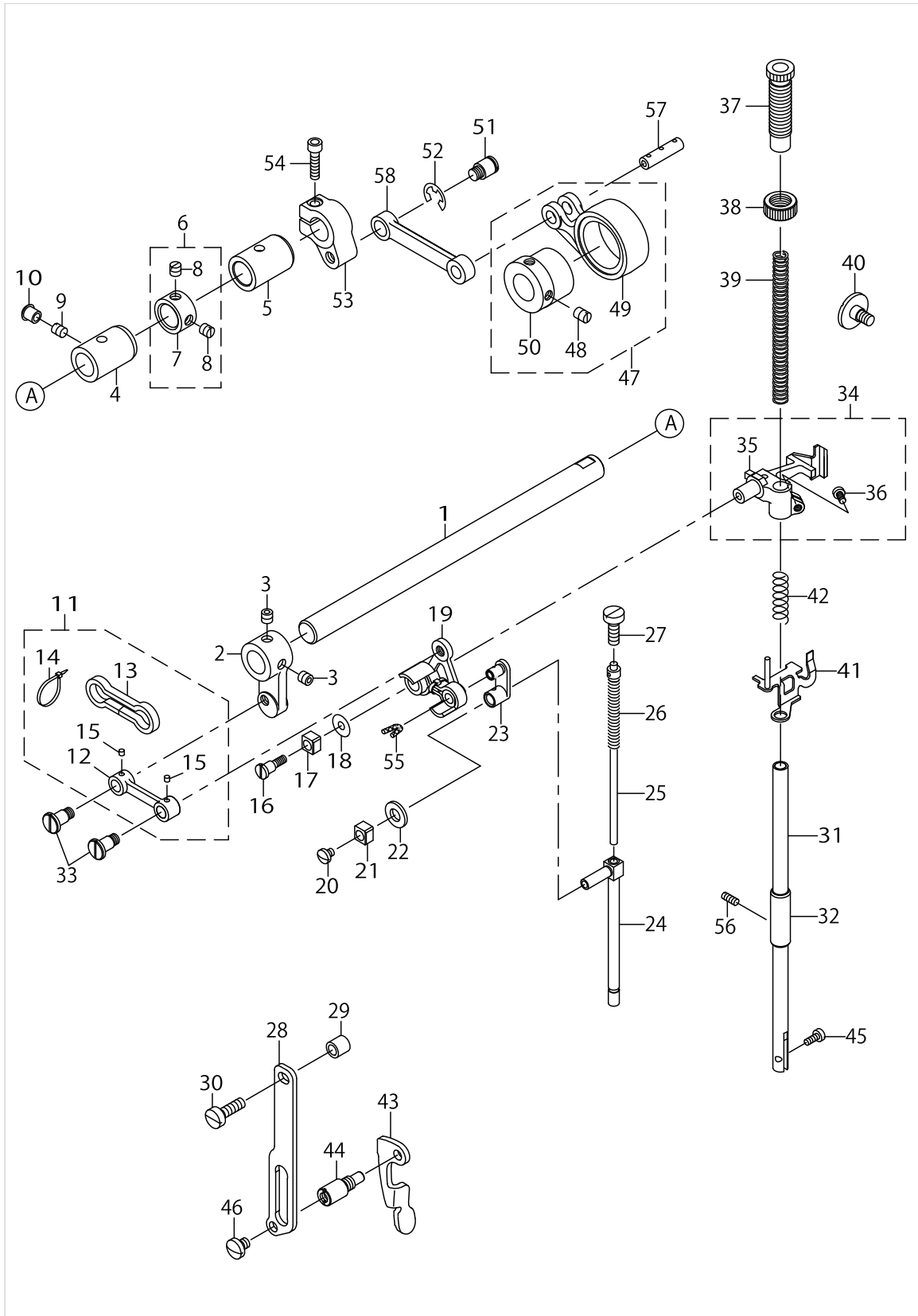
PRESSURE ADJUSTING & UPPER FEED MECHANISM COMPONENTS (1)



PRESSURE ADJUSTING & UPPER FEED MECHANISM COMPONENTS (1)

No.	Supply Code	Parts No.	Replacement	Parts name	Remarks	Choice	Step	Level	Cons	Qty	Rep. QTY
1		21340401		UPPER FEED SHAFT						1	
2		21340500		UPPER FEED FRONT ARM						1	
3		SS8660612TP		SCREW 1/4-40 L=6						2	
4		40039326		FRONT METAL						1	
5		21378302		FEED ROCK SHAFT METAL						1	
6		22904155		MAIN SHAFT THRU-ST COLLAR ASM.						1	
7	R	22904106	22904155	MAIN SHAFT THRUST COLLAR				*		1	1.00
8		SS8660610TP		SCREW 1/4-40 L=6				*		2	
9		SS8150710TP		SCREW 15/64-28 L=7						1	
10		TA0750704R0		RUBBER PLUG						1	
11		40033027		UPPER FEED LINK ASM.						1	
12		40033026		UPPER FEED LINK				*		1	
13		21347109		FELT				*		1	
14		EA9500B0000		CABLE BAND				*		2	
15		CQ3000000F0		OIL FELT				*		0.-0028	
16		40018339		SCREW						1	
17		B1414555000		SLIDE BLOCK						1	
18		WP0501046SC		WASHER 5X13X1						1	
19		40033029		TRIANGULAR LEVER ASM.						1	
20		SS7110510SP		SCREW 11/64-40 L=5						1	
21		B1414555000		SLIDE BLOCK						1	
22		10509701		FELT						1	
23		40018341		WALKING BAR DRIVING LINK						1	
24		40033030		WALKING BAR A						1	
25		B14670530A0		WALKING BAR ASM.						1	
26		B1468053000		WALKING BAR SPRING						1	
27		SS6151780SP		SCREW 15/64-28 L=17.0						1	
28		21406509		UPPER FEED GUIDE PLATE						1	
29		26225201		ROLLER						1	
30		SS6151920SP		SCREW 15/64-28 L=19.0						1	
31		B1501241H00		PRESSER BAR						1	
32		B1510155000		PRESSER BAR LOWER BUSHING						1	
33		40018340		SCREW						2	
34		40033032		PRESSER BAR HOLDER A ASM.						1	
35		40033031		PRESSER BAR HOLDER A				*		1	
36		SS7110910TP		SCREW 11/64-40 L=8.5				*		1	
37		21340906		PRESSER ADJUSTING SCREW						1	
38	R	22907604	22907554	PRESSER SPRING REGULATOR NUT						1	1.00
39		B1502246000		PRESSER SPRING						1	
40		SD0800481SP		HINGE SCREW D=8 H=4.9						1	
41		21341151		THREAD RELEASE HOLDING PLATE						1	
42		B1462053000		THREAD RELEASE SPRING						1	
43		21406103		PRESSER LIFTER LEVER						1	
44		21406608		GUIDE PLATE SPACER						1	
45		SS6090910TP		SCREW 9/64-40 L=9						1	

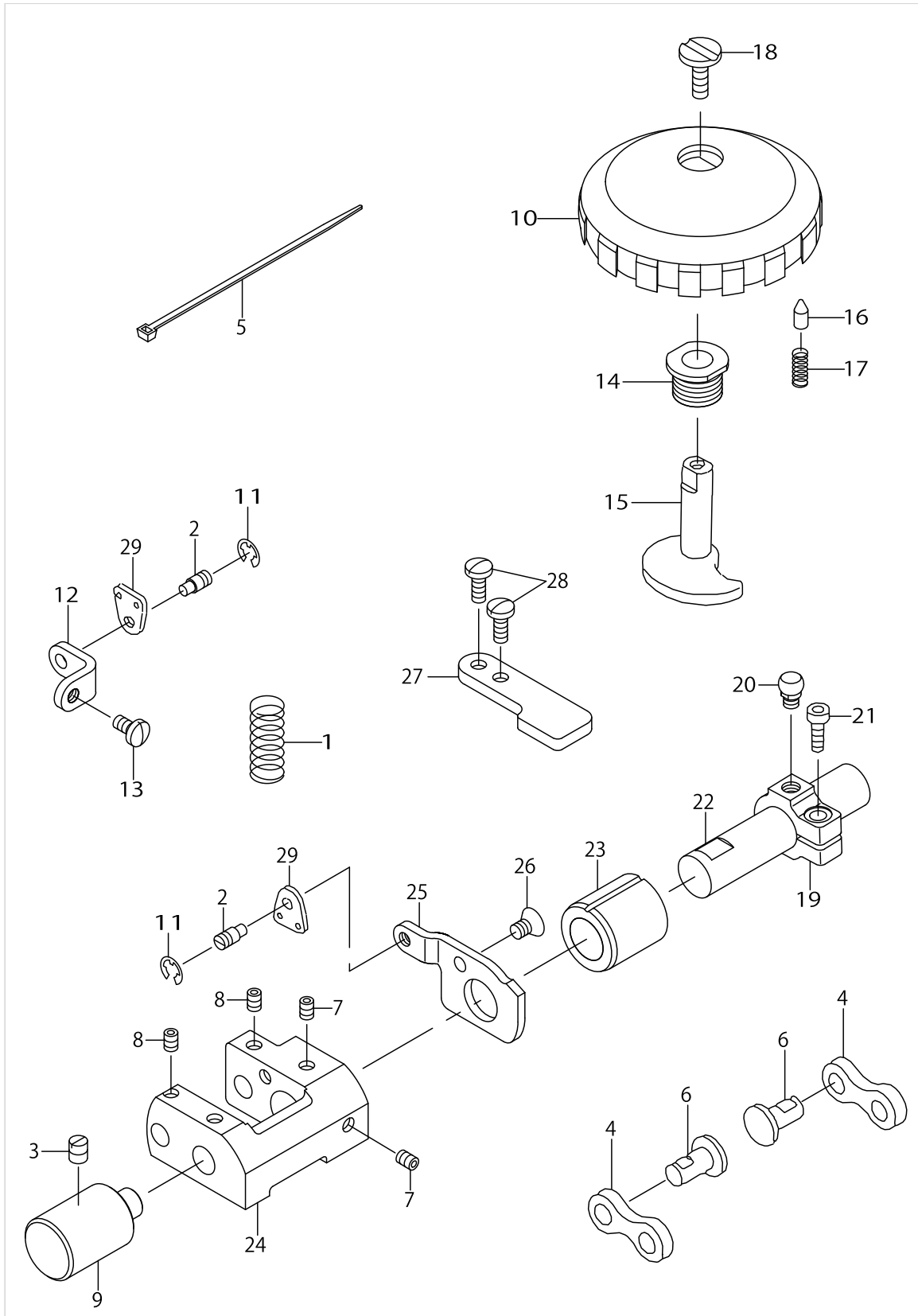
PRESSURE ADJUSTING & UPPER FEED MECHANISM COMPONENTS (1)



PRESSURE ADJUSTING & UPPER FEED MECHANISM COMPONENTS (1)

No.	Supply Code	Parts No.	Replacement	Parts name	Remarks	Choice	Step	Level	Cons	Qty	Rep. QTY
46		SS7150740SP		SCREW 15/64-28 L=7						1	
47		40075553		ECCENTRIC ROD(SET)						1	
48		SS8660810TP		SCREW 1/4-40 L=8				*		2	
49		10713758		UPPER FEED CAM ROD ASM.				*		1	
50		10713600		UPPER FEED CUM				*		1	
51		21048707		HINGE SCREW						1	
52		RE0800000K0		E-SHAPED SNAP RING (8MM)						1	
53		21340302		UPPER FEED REAR ARM (B)						1	
54		SM6052002TP		SCREW M5 L=20						1	
55		CQ252000000		OIL WICK						.02	
56		SS8111010TP		SCREW 11/64-40 L=9.5						1	
57		10713808		CONNECTION LINK PIN B						1	
58		21340005		UPPER FEED LINK (B)						1	

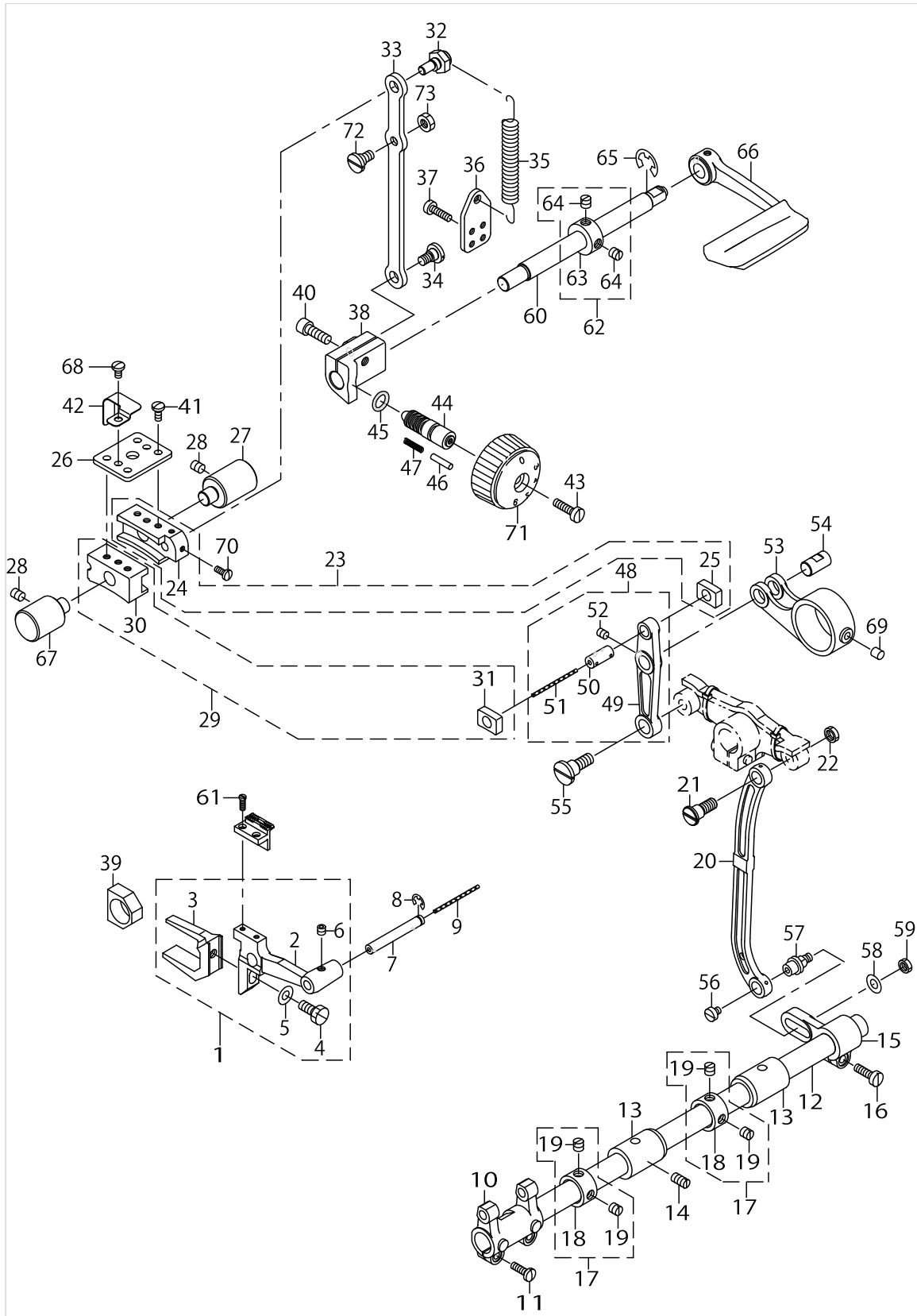
PRESSURE ADJUSTING & UPPER FEED MECHANISM COMPONENTS (2)



PRESSURE ADJUSTING & UPPER FEED MECHANISM COMPONENTS (2)

No.	Supply Code	Parts No.	Replacement	Parts name	Remarks	Choice	Step	Level	Cons	Qty	Rep. QTY
1		10716504		VERTICAL SHAFT SPRING						1	
2		B3416552000		CONNECTING ROD HINGE SCREW						2	
3	R	SS8150710SP	SS8150710TP	SCREW 15/64-28 L=7						1	1.00
4		40107949		CONNECTION LINK B						2	
5		EA9500B0100		CABLE BAND						1	
6	R	10714608	40052263	CONNECTION LINK B SUPPORT PIN						2	1.00
7		SM8050602TP		SCREW M5 L=6						2	
8		SM8050602TP		SCREW M5 L=6						2	
9		21337803		FEED ADJUSTING BASE SUPPORT						1	
10	R	10774305	10774354	VERTICAL DIAL						1	1.00
11		RE0500000K0		E-RING						2	
12		21339809		UPPER FEED DOG SPRING HOOK						1	
13		SS7110830SP		SCREW 11/64-40 L=7.5						1	
14		10715100		VERTICAL DIAL SHAFT BUSHING						1	
15		40108542		VERTICAL ADJUSTING CAM						1	
16		10715704		VERTICAL DIAL PIN						1	
17		B152652700G		SPRING						1	
18		SS6110630TP		SCREW 11/64-40 L=6						1	
19		21341607		VERTICAL ADJUSTING ARM						1	
20		10715308		PIN						1	
21		SM6051402TP		SCREW M5X0.8 L=14						1	
22		21341508		VERTICAL CHANGE BASE SHAFT						1	
23		10718203		FEED SHAFT FRONT METAL						1	
24		10714202		VERTICAL CHANGE BELT						1	
25		21339601		UPPER FEED STOPPER PLATE (A)						1	
26	R	SM1050801SR	SM1050801SC	SCREW M5 L=8						1	1.00
27		21339700		UPPER FEED STOPPER PLATE (B)						1	
28		SS7111120TP		SCREW						2	
29		10713501		SPRING HOOK						2	

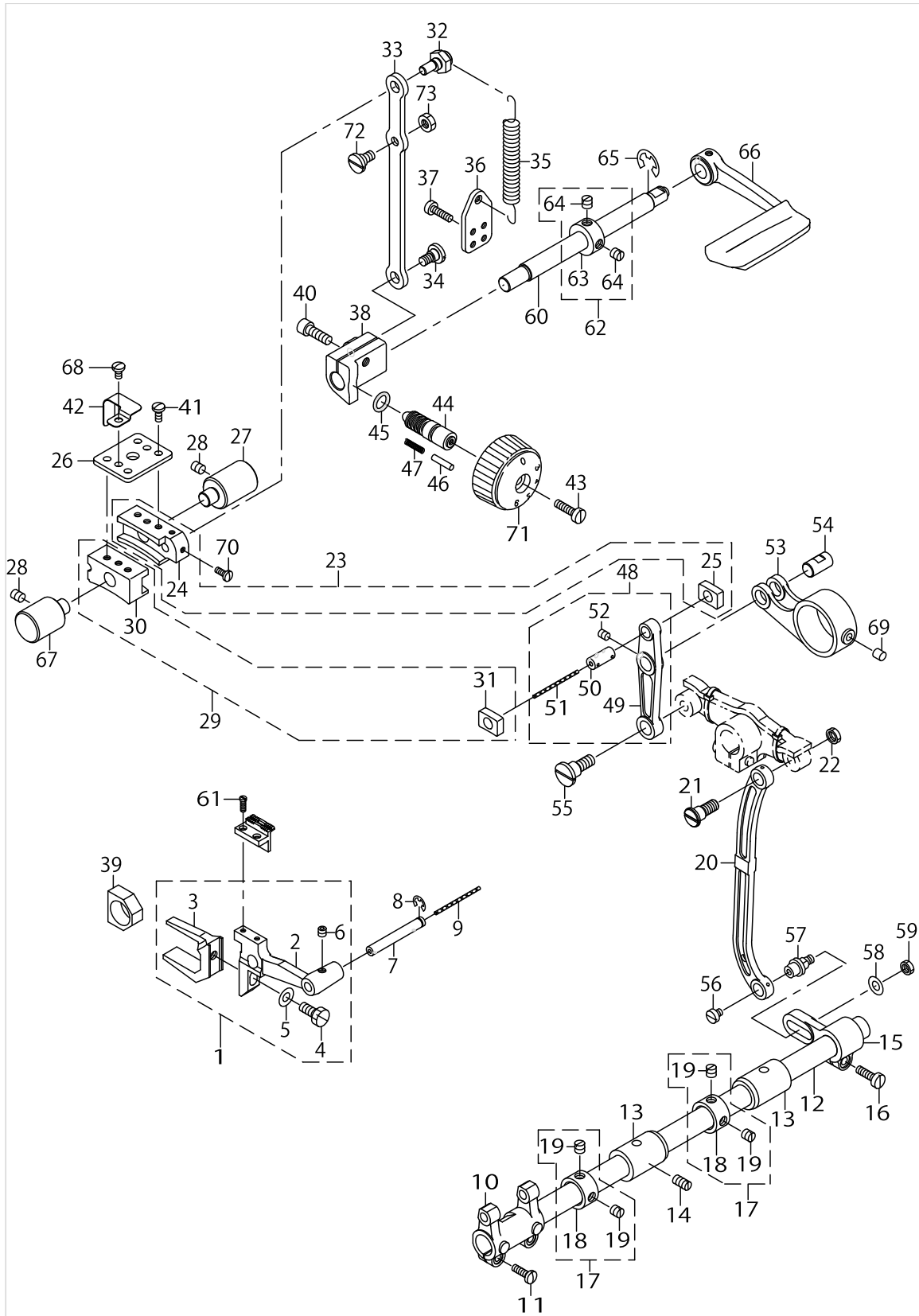
FEED MECHANISM COMPONENTS



FEED MECHANISM COMPONENTS

No.	Supply Code	Parts No.	Replacement	Parts name	Remarks	Choice	Step	Level	Cons	Qty	Rep. QTY
1		40104355		FEED BASE (B) ASM.						1	
2		40104356		FEED BASE				*		1	
3		40104357		FEED BASE FORK				*		1	
4		SS9151440CP		SCREW15/64-28L=14				*		1	
5		WP0621016SD		WASHER 6.2X13X1				*		1	
6		SM8050502TP		SCREW M5 L=5				*		1	
7		B1604012000A		FEED BAR SHAFT						1	
8		RE0500711KP		SNAP RING 5						1	
9		CQ202000000		OIL WICK						14	
10		21364104		FEED ROCKER						1	
11	R	SS7111410SP	SS7111410TP	SCREW11/64-40L=14						2	1.00
12		22609408		FEED ROCK SHAFT						1	
13		21378302		FEED ROCK SHAFT METAL						2	
14		SS8151150TP		SCREW 15/64-28 L=10.5						1	
15		B3025141H00A		CONNECTING ARM						1	
16		SS6121610TP		SCREW 3/16-28 L=15.5						1	
17		22904155		MAIN SHAFT THRU-ST COLLAR ASM.						2	
18	R	22904106	22904155	MAIN SHAFT THRUST COLLAR				*		1	1.00
19		SS8660610TP		SCREW 1/4-40 L=6				*		2	
20		10205201		NEEDLE BAR FRAME ROD						1	
21		SD0900701TP		HINGESCROWD=9H=7						1	
22		NS6680320SP		NUT 9/32-28						1	
23		40081970		FEED ADJUSTING BASE						1	
24	R	21407200	40081970	FEED ADJUSTING BASE				*		1	1.00
25	R	21407309	40081969	SQUARE BLOCK		A	40038711 送り調節体-B/40038711 FEED ADJUSTING BASE B	*		1	1.00
25	R	21407309	40081970	SQUARE BLOCK		B	21407200 送り調節/2-1407200 F- FEED ADJUSTING BASE	*		1	1.00
26		21407408		FITTING PLATE						1	
27		21337803		FEED ADJUSTING BASE SUPPORT						1	
28		SS8150822TP		SCREW 15/64-28 L=8						2	
29		40081969		FEED ADJUSTING BASE B SET						1	
30	R	40038711	40081969	FEED ADJUSTING BASE B				*		1	1.00
31	R	21407309	40081969	SQUARE BLOCK		A	40038711 送り調節体-B/40038711 FEED ADJUSTING BASE B	*		1	1.00
31	R	21407309	40081970	SQUARE BLOCK		B	21407200 送り調節/2-1407200 F- FEED ADJUSTING BASE	*		1	1.00
32		21337902		ECCENTRIC PIN						1	
33		21337308		FEED ADJUSTING ROD						1	
34		SD0800402TP		HINGESCROWD=8H=4						1	
35		21337605		SPRING						1	

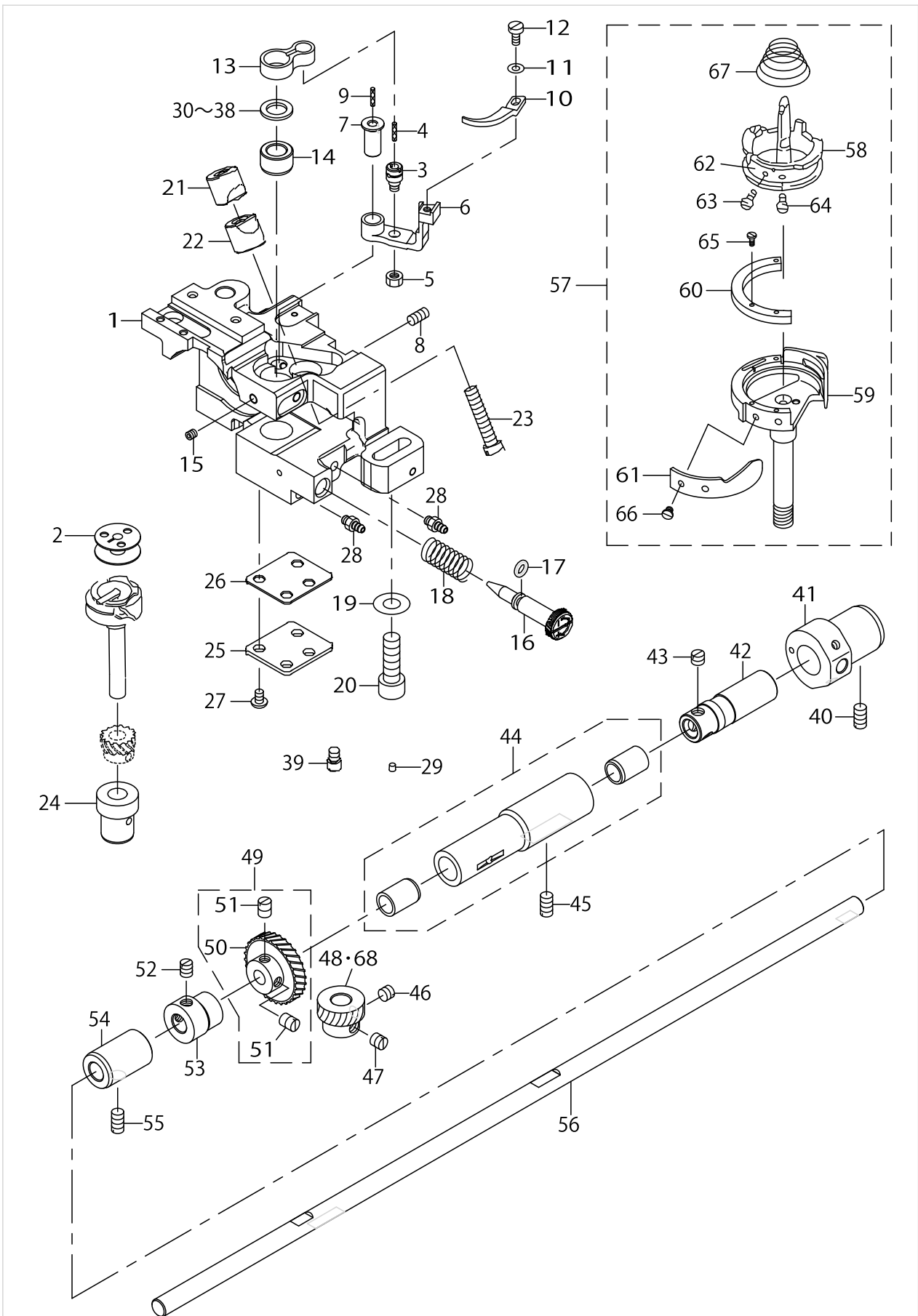
FEED MECHANISM COMPONENTS



FEED MECHANISM COMPONENTS

No.	Supply Code	Parts No.	Replacement	Parts name	Remarks	Choice	Step	Level	Cons	Qty	Rep. QTY
36		40019926		SPRING HOOK						1	
37		SS6111610SP		SCREW11/64-40L=16						2	
38		21337209		FEED ADJUSTING A						1	
39		B1610512000		FEED DRIVING SLIDE BLOCK						1	
40		SM6061802TP		SCREW M6 L=18						1	
41		SS7110910TP		SCREW 11/64-40 L= 8.5						4	
42		40038712		FELT HOLDER						1	
43		SS6121860SP		SCREW 3/16-28 L=18						1	
44		22911804		FEED REGULATOR SCREW						1	
45		RO092270200		RUBBER RING						1	
46		22912000		FEED REGULATOR PIN						1	
47		22912109		FEED REGULATOR PIN SPRING						1	
48		21336656		FEED LINK ASM.						1	
49		21336607		FEED LINK				*		1	
50		40009103		CONNECTING FORKED LINK PIN				*		1	
51		CQ202000000		OIL WICK				*		0.04	
52		SM8050612TP		SCREW M5X6				*		1	
53		21336706		FEED ROD A						1	
54		21378906		FEED LINK PIN						1	
55		SD1000801SH		HINGE SCREW D=10 H=8						1	
56		SS6110520TP		SCREW 11/64-40 L=4.5						1	
57		40108541		FEED ROCK SHAFT HINGE SCREW						1	
58		WP0650876SD		WASHER 6.5X13X0.8						1	
59		NS6150310SP		NUT 15/64-28						1	
60		21336300		BACKWARD FEED LEVER SHAFT						1	
61		B1611055000		SCREW FEED ROCK SHAFT						2	
62		CS1201010SH		THRUST COLLAR ASM. D=12 W=10						1	
63		CS1201011SH		THRUST COLLAR D=12 W=10				*		1	
64		SS8660610TP		SCREW 1/4-40 L=6				*		2	
65		RE0900000K0		E-RING 9						1	
66		21388004		REVERSE FEED ROCK SHAFT						1	
67		21430400		FEED ADJUSTER SUPPORT						1	
68		SS7110710SP		SCREW 11/64-40 L=7						1	
69		21387402		FELT						1	
70		SS7090910TP		SCREW 9/64-40 L=8.5						2	
71		40049663		FEED DIAL(P=7) ASM.						1	
72		SD0800402TP		HINGESCREWD=8H=4						1	
73		NS6150430SP		NUT 15/64-28						1	

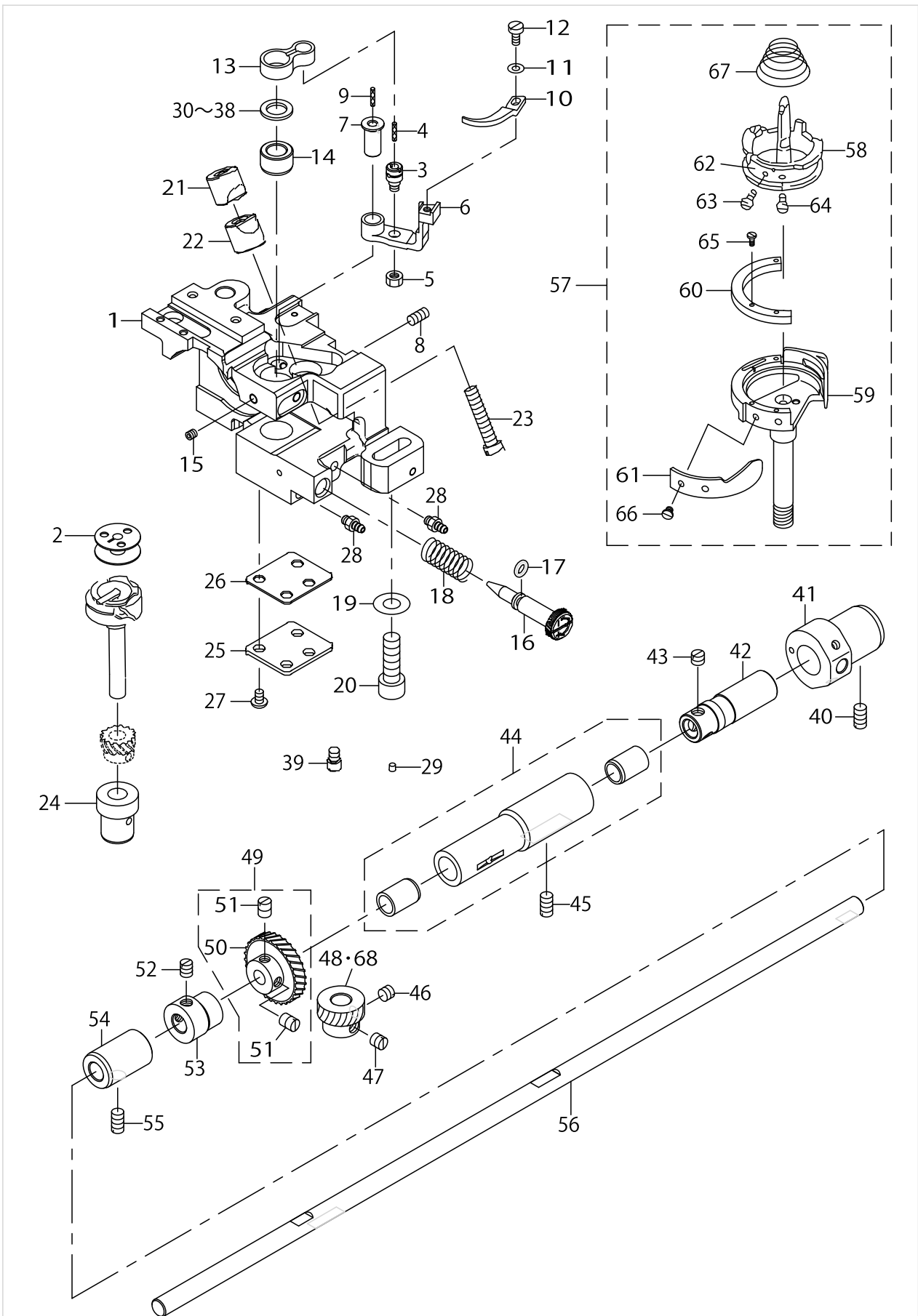
HOOK SHAFT & LOWER SHAFT COMPONENTS



HOOK SHAFT & LOWER SHAFT COMPONENTS

No.	Supply Code	Parts No.	Replacement	Parts name	Remarks	Choice	Step	Level	Cons	Qty	Rep. QTY
1		40162275		HOOK_SHAFT_BASE_TRIM						1	
2		21334800		ALUMINUM BOBBIN WITH KNURL					☆	1	
3		B1821051000		CRANK SCREW STUD						1	
4		CQ202000000		OIL WICK						.01	
5		NS6110420SP		NUT 11/64-40						1	
6		B1822563000		BOBBIN CASE OPENING LEVER CRANK						1	
7		21335708		INNER HOOK GUIDE ARM SHAFT						1	
8		SM8051002TP		SCREW M5 L=10						1	
9		CQ202000000		OIL WICK						.01	
10		B1824563000		BOBBIN CASE OPENING LEVER						1	
11		WP0371016SD		WASHER 3.7X8X1						1	
12		SS6090810TP		SCREW 9/64-40 L=7.5						1	
13		B1820563000		BOBBIN CASE OPENING LEVER LINK						1	
14		21378401		HOOK SHAFT UPPER METAL						1	
15		SM80506A2TP		SCREW M5 L=6						2	
16		40042141		OIL_ADJUSTING_SCREW						1	
17		RO044240100		RUBBER RING						1	
18		40029570		OIL_ADJUSTING_SPRING						1	
19		WP0621046SP		WASHER						1	
20		SM6062500SP		SCREW M6 L=25						1	
21		10109908		SADDLE INSTALLING BLOCK UPPER						1	
22		10112407		SADDLE INSTALLING BLOCK LOWER						1	
23		SS6153040SP		SCREW 15/64-28 L=30						1	
24		40162279		HOOK_LOWER_BUSH						1	
25		40022589		BOTTOM_COVER						1	
26		40022590		BOTTOM_COVER_GASKET						1	
27		SM4050855SP		SCREW						4	
28		SQ2050453MZ		CONNECTING SCREW						2	
29		TA0290301M0		PLUG						6	
30		10109700		THRUST WASHER A	SELECTIVE PARTS					2	
31		10110906		BUSHING THRUST 1.1	SELECTIVE PARTS					2	
32		10111003		THRUST WASHER 1.2	SELECTIVE PARTS					2	
33		10111102		THRUST WASHER 1.3	SELECTIVE PARTS					2	
34		10111201		THRUST WASHER F	SELECTIVE PARTS					2	
35		10109809		THRUST WASHER B	SELECTIVE PARTS					2	
36		10112506		THRUST WASHER 1.6	SELECTIVE PARTS					2	
37		10112605		THRUST WASHER 1.7	SELECTIVE PARTS					2	
38		10112704		THRUST WASHER 1.8	SELECTIVE PARTS					2	
39		40012503		KNIFE_DRIVING_ARM_PIN						1	
40	R	SS8151150SP	SS8151150TP	SCREW 15/64-28 L=10.5						1	1.00
41		22611701		PLUNGER BUSHING B						1	
42		22611909		OIL PUMP SHAFT						1	
43		SS8660530TP		SCREW 1/4-40 L=4.5						3	
44		B18035150A0		BUSHING ASM. INTERMEDIATE						1	
45	R	SS8151150SP	SS8151150TP	SCREW 15/64-28 L=10.5						1	1.00

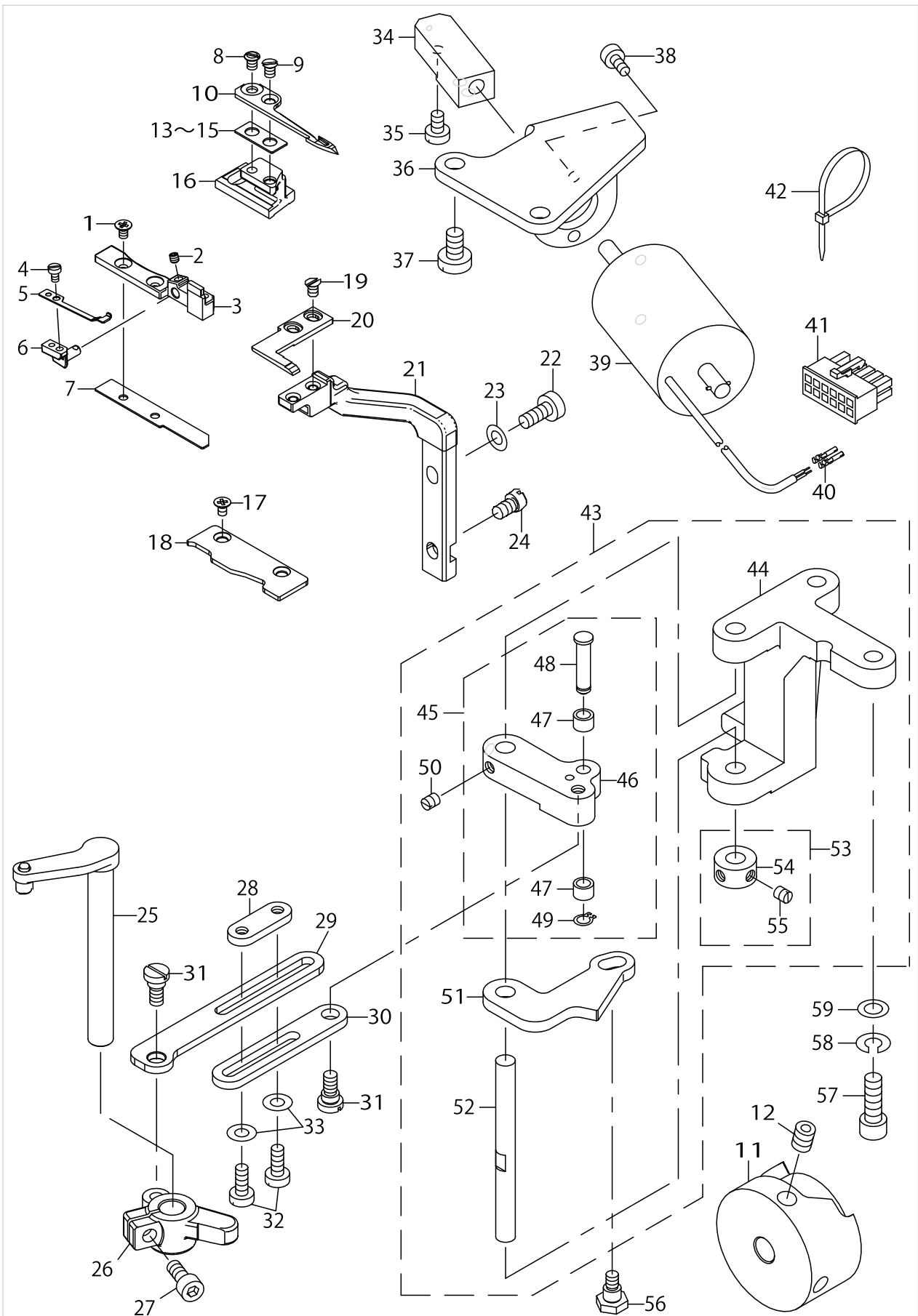
HOOK SHAFT & LOWER SHAFT COMPONENTS



HOOK SHAFT & LOWER SHAFT COMPONENTS

No.	Supply Code	Parts No.	Replacement	Parts name	Remarks	Choice	Step	Level	Cons	Qty	Rep. QTY
46		SS8660530TP		SCREW 1/4-40 L=4.5						1	
47		SS8660670SP		SCREW 1/4-40 L=6.1						1	
48		B1817051000		HOOK DRIVING SH-AFT GEAR SMALL	SELECTIVE PARTS					1	
49		40162860		HOOK DRIVING SHAFT GEAR ASM						1	
50		B1816051000		HOOK DRIVING SH-AFT GEAR LARGE				*		1	
51		SS8660810TP		SCREW 1/4-40 L=8				*		2	
52		SS8150710TP		SCREW 15/64-28 L=7						2	
53		23024409		VERTICAL FEED CAM (1.5)						1	
54		21427307		LOWER SHAFT METAL REAR						1	
55	R	SS8151150SP	SS8151150TP	SCREW 15/64-28 L=10.5						1	1.00
56		21333604		LOWER SHAFT						1	
57		40165974		HOOK_ASM					☆	1	
58		40165975		INNER_HOOK				*		1	
59		40095615		OUTER_HOOK				*		1	
60		40148033		INNER_HOOK HOLDER				*		1	
61		40095617		NEEDLE HOLDER				*		1	
62		40165976		TENTION_ADJUSTING_SPRING				*		1	
63		40095619		ADJUSTING_SCREW				*		1	
64		40095620		TENTION_SPRING_SCREW				*		1	
65		40079905		NEEDLE HOLDER SETSCREW				*		3	
66		40079905		NEEDLE HOLDER SETSCREW				*		2	
67		40167402		IDLING PRIVENTION SPRING				*		1	
68		40042611		HOOK DRIVING SHAFT GEAR (A)	SELECTIVE PARTS					1	

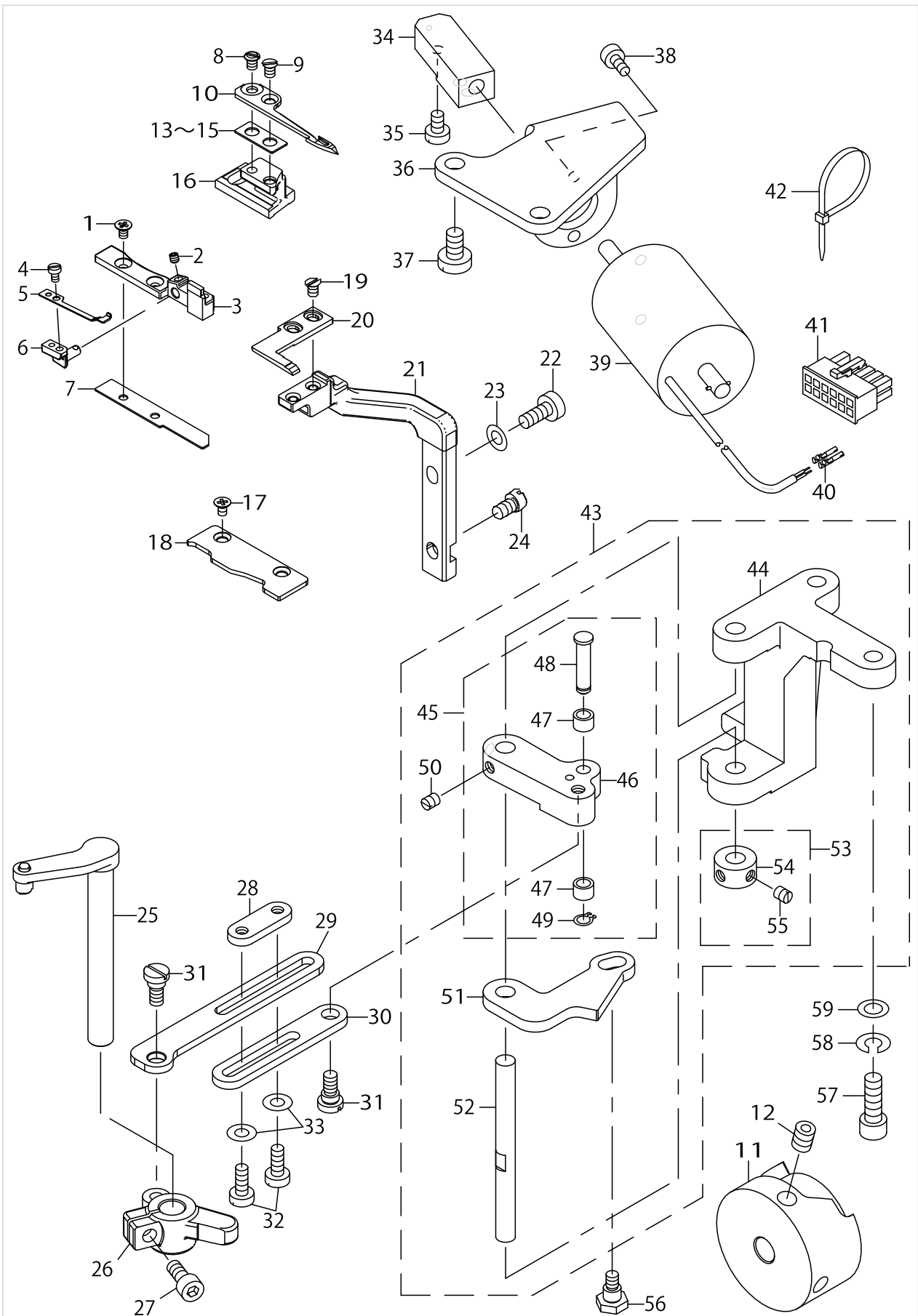
THREAD CUTTING COMPONENTS



THREAD CUTTING COMPONENTS

No.	Supply Code	Parts No.	Replacement	Parts name	Remarks	Choice	Step	Level	Cons	Qty	Rep. QTY
1		SM1030801SC		SCREW M3 L=8						2	
2		SM8030312TP		SCREW M3 L=3						1	
3		40176766		D KNIFE SUPPORT R						1	
4		SM6850400SP		SCREW M2.5 L=4						1	
5		40135955		CLAMP_SPRING					☆	1	
6		40134967		CLAMP_SPRING_BASE						1	
7		40176683		DRIVING KNIFE SUPPORT SPACER						1	
8		SS6090520SP		SCREW 9/64-40 L=5.0					☆	1	
9		SS1090520TP		SCREW 9/64-40 L=5					☆	1	
10		40147938		DRIVING_KNIFE					☆	1	
11		40162285		MOVING_KNIFE_CAM						1	
12		SS8660612TP		SCREW 1/4-40 L=6						2	
13		40176684		DRIVING_KNIFE_SPACER_T=0.9	SELECTIVE PARTS					1	
14		40176685		DRIVING_KNIFE_SPACER_T=1.0	SELECTIVE PARTS					1	
15		40147936		DRIVING_KNIFE_SPACER_T=0.8	SELECTIVE PARTS					1	
16		40147937		DRIVING_KNIFE_BASE						1	
17		SM1030601SA		SCREW M3 L=6						2	
18		40021883		D_KNIFE_BASE_GUIDE_R_LH						1	
19		SS6090620TP		SCREW					☆	2	
20		40169762		FIXED KNIFE					☆	1	
21		40170676		FIXED KNIFE BASE						1	
22		SM6051202TP		SCREW M5X0.8 L=12						1	
23		WP0531000SD		WASHER M5						1	
24		40012496		FIXED_KNIFE_BASE_ADJUST						1	
25		40012497		ASSY_KNIFE_BASE_SHAFT						1	
26		40162278		KNIFE_DRIVING_ARM						1	
27		SM6051202TP		SCREW M5X0.8 L=12						1	
28		21354204		STOPPING PLATE						1	
29		40162286		CONNECTING_PLATE						1	
30		21354105		CONNECTING PLATE						1	
31		SD0640325SP		HINGE SCREW						2	
32		SS9111510SP		SCREW 11/64-40L=15						2	
33		WP0501016SD		WASHER 5X10.5X1						2	
34		21354709		SOLENOID CONNECTING PLATE						1	
35		SS6110710TP		SCREW 11/64-40 L=6.5						2	
36		21354600		SOLENOID FITTING PLATE						1	
37		SS6151040SP		SCREW 15/64-28L=10						2	
38		SM6040802TP		SCREW M4X0.7 L=8						2	
39		21355102		THREAD CUTTING SOLENOID						1	
40		HK03464000A		TERMINAL FEMALE						2	
41		HK034610120		CONNECTOR						1	
42		EA9500B0100		CABLE BAND						1	
43		21353750		VERTICAL FITTING BASIS ASM.						1	
44		21353701		VERTICAL FITTING BASIS					*	1	
45	R	40119279	21353750	THREAD CUTTING ROLLER ARM ASM.					*	1	1.00
46	R	40104368	21353750	THREAD CUTTING ROLLER ARM		A	LU		*	1	1.00

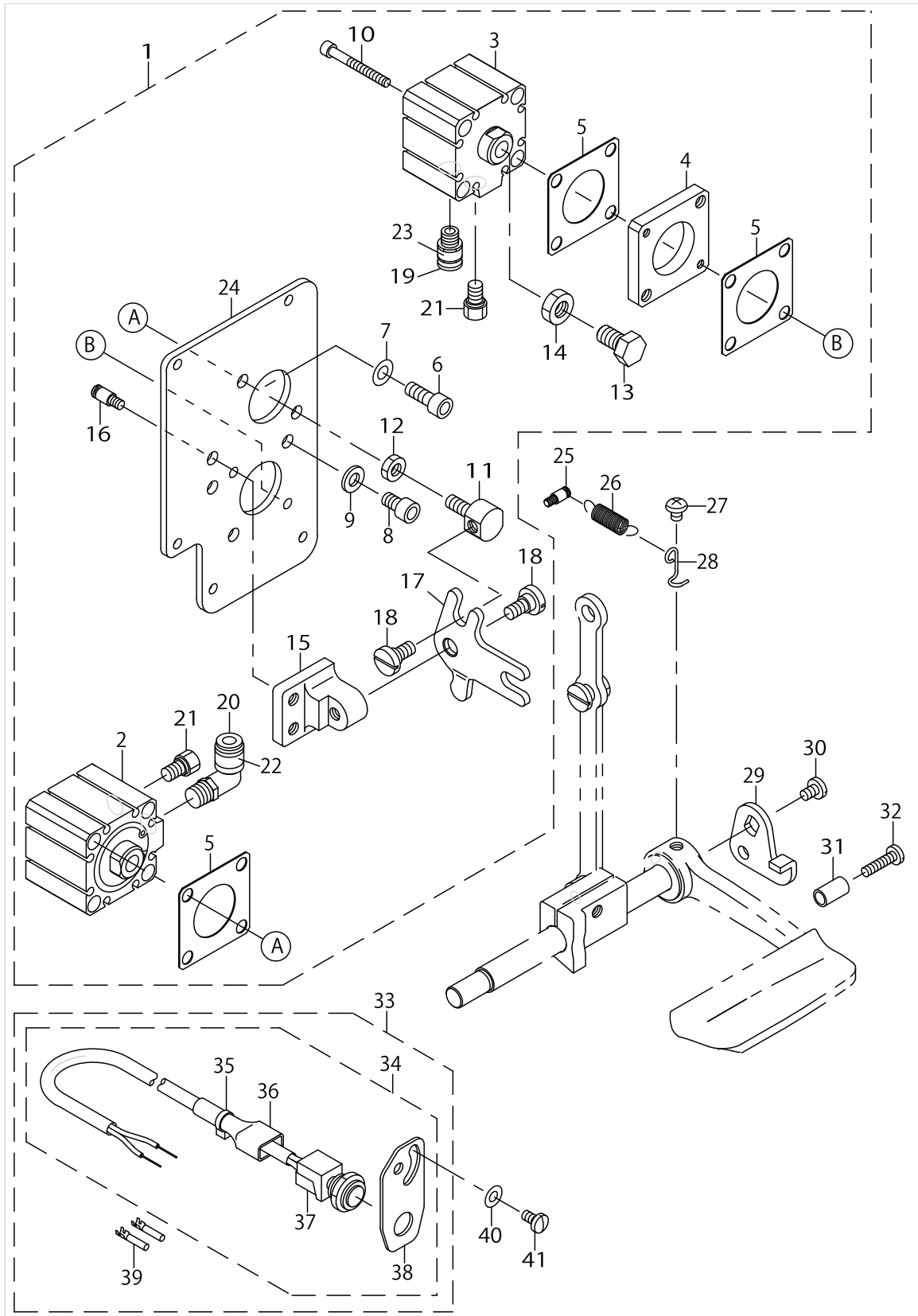
THREAD CUTTING COMPONENTS



THREAD CUTTING COMPONENTS

No.	Supply Code	Parts No.	Replacement	Parts name	Remarks	Choice	Step	Level	Cons	Qty	Rep. QTY
46	R	40104368	40038744	THREAD CUTTING ROLLER ARM		B	PLC	*		1	1.00
47		D2427555B00B		CAM ROLLER				*		1	
48		40104369		CAM ROLLER SHAFT				*		1	
49		D2430555B00		SNAP RING				*		1	
50	R	SS8110510SP	SS8110520TP	SCREW 11/64-40 L=5				*		2	1.00
51		21354006		THREAD CUTTING DRIVING PLATE				*		1	
52		10116804		SHAFT				*		1	
53		CS070081BSH		THRUST COLLAR ASM. D=7 W=8				*		1	
54		CS0700811SH		THRUST COLLAR D=7 W=8				*		1	
55	R	SS8110510SP	SS8110520TP	SCREW 11/64-40 L=5				*		2	1.00
56		SD0640482SP		HINGE SCREW D=6.35 H=4.8						1	
57		SS6151812TP		SCREW 15/64-28L=18						2	
58		WS0610002KP		SPRING WASHER						2	
59		WP0651056SD		WASHER 6.5X11X1						2	

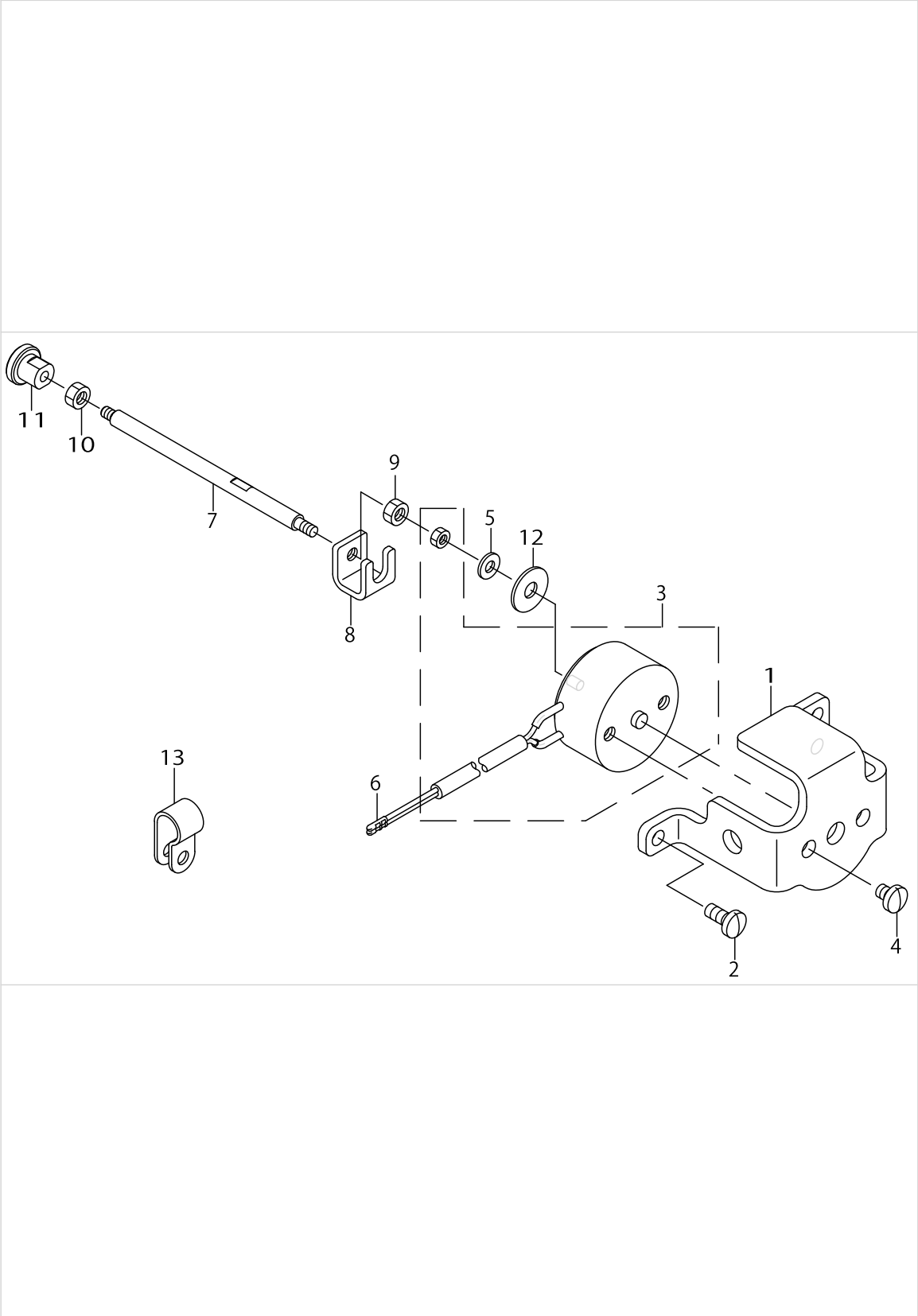
AUTOMATIC BACK & CONDENSE COMPONENTS



AUTOMATIC BACK & CONDENSE COMPONENTS

No.	Supply Code	Parts No.	Replacement	Parts name	Remarks	Choice	Step	Level	Cons	Qty	Rep. QTY
1		40039608		WINDOW PLATE G ASM.						1	
2		PA320150200		JIG CYLINDER				*		1	
3		PA320100300		JIG CYLINDER				*		1	
4		21398409		CYLINDER FITTING BASE				*		1	
5		21349105		CYLINDER PACKING				*		3	
6		SM6061602TP		SCREW M6 L=16				*		2	
7		WP0641601SD		WASHER M6				*		2	
8		SM6061002TP		SCREW M6 L=10				*		2	
9		WP0641601SD		WASHER M6				*		2	
10		SM6043552TN		SCREW M4 L=35				*		2	
11		21348602		CYLINDER CONNECTING SCREW				*		1	
12		NM6060003SC		NUT M6				*		1	
13		21398508		SCREW				*		1	
14		NM6080003SC		NUT M8				*		1	
15		21348503		FITTING BASE				*		1	
16		SS7151210SP		SCREW15/64-28L=12				*		2	
17		21398300		LINK				*		1	
18		SD0800352SP		HINGE SCREW D=8 H=3.5				*		2	
19		PJ301065104		HALF UNION				*		1	
20		PJ304065101		ELBOW UNION 6XPT1/8				*		1	
21		PX015101000		MUFFLER				*		2	
22		HX002950000		WIRE MARK(1)				*		1	
23		HX00295000D		WIRE MARK(5)				*		1	
24		21392907		WIDOW PLATE G				*		1	
25		40023289		SPRINGSUSPENSION						1	
26		26226209		SPRING						1	
27		SS4120615SP		SCREW 3/16-28 L=6						1	
28		22656003		SPRINGSUSPENSION						1	
29		22656102		REVERSE FEED LINK (1)						1	
30		SS7120760SP		SCREW 3/16-28 L=7.0						1	
31		22952501		BACK LEVER STOPPER						1	
32	R	SS7111810SP	SS7111810TP	SCREW11/64-40L=18						1	1.00
33		40056366		BT SWITCH C ASM.						1	
34		40056365		BT SWITCH B ASM.				*		1	
35		EA9500B0100		CABLE BAND				*		1	
36		GTS01037000		CONNECTOR COVER				*		1	
37		40056364		BT SWITCH A ASM.				*		1	
38	R	21388608	21388665	CABLE BAND				*		1	1.00
39		HK03464000A		TERMINAL FEMALE				*		2	
40		WP0501016SD		WASHER 5X10.5X1						2	
41		SS7110840SP		SCREW 11/64-40 L=7.8						2	

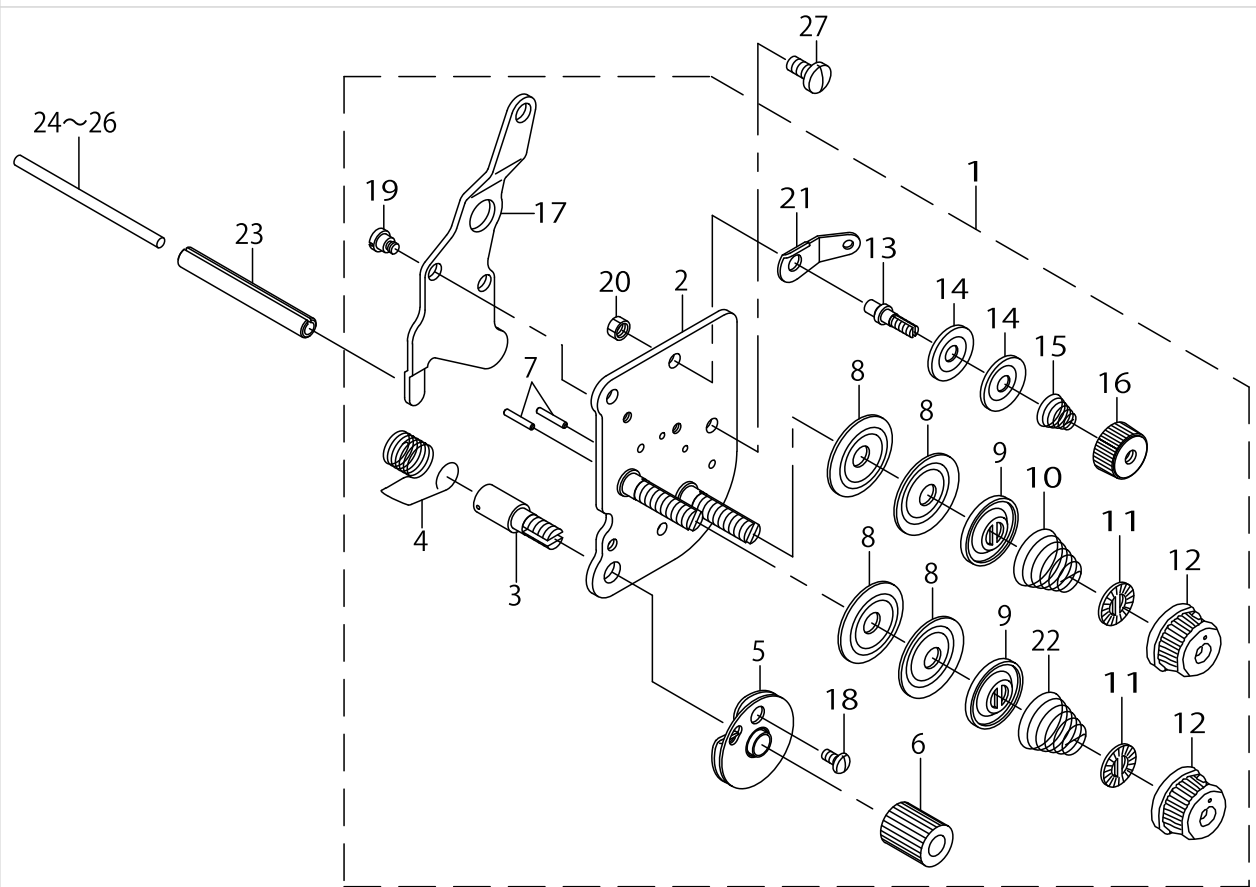
THREAD RELEASE COMPONENTS



THREAD RELEASE COMPONENTS

No.	Supply Code	Parts No.	Replacement	Parts name	Remarks	Choice	Step	Level	Cons	Qty	Rep. QTY
1		21441407		SOLENOID INSTALLING PLATE						1	
2		SS7110910TP		SCREW 11/64-40 L=8.5						2	
3		21363106		TENSION RELEASE SOLENOID						1	
4		SS7110570SP		SCREW 11/64-40 L=4.8						2	
5		40062388		WASHER						1	
6		HK03464000B		PIN CONTACT						2	
7		21441209		TENSION RELEASE BAR						1	
8		21441308		COUPLING						1	
9		NM6040001SN		NUT M4X0.7						1	
10		NM6040001SN		NUT M4X0.7						1	
11		40165973		PUSH_BUTTON						1	
12		WP0501046SC		WASHER 5X14X1						1	
13		HX00123000A		CABLE CLIP						1	

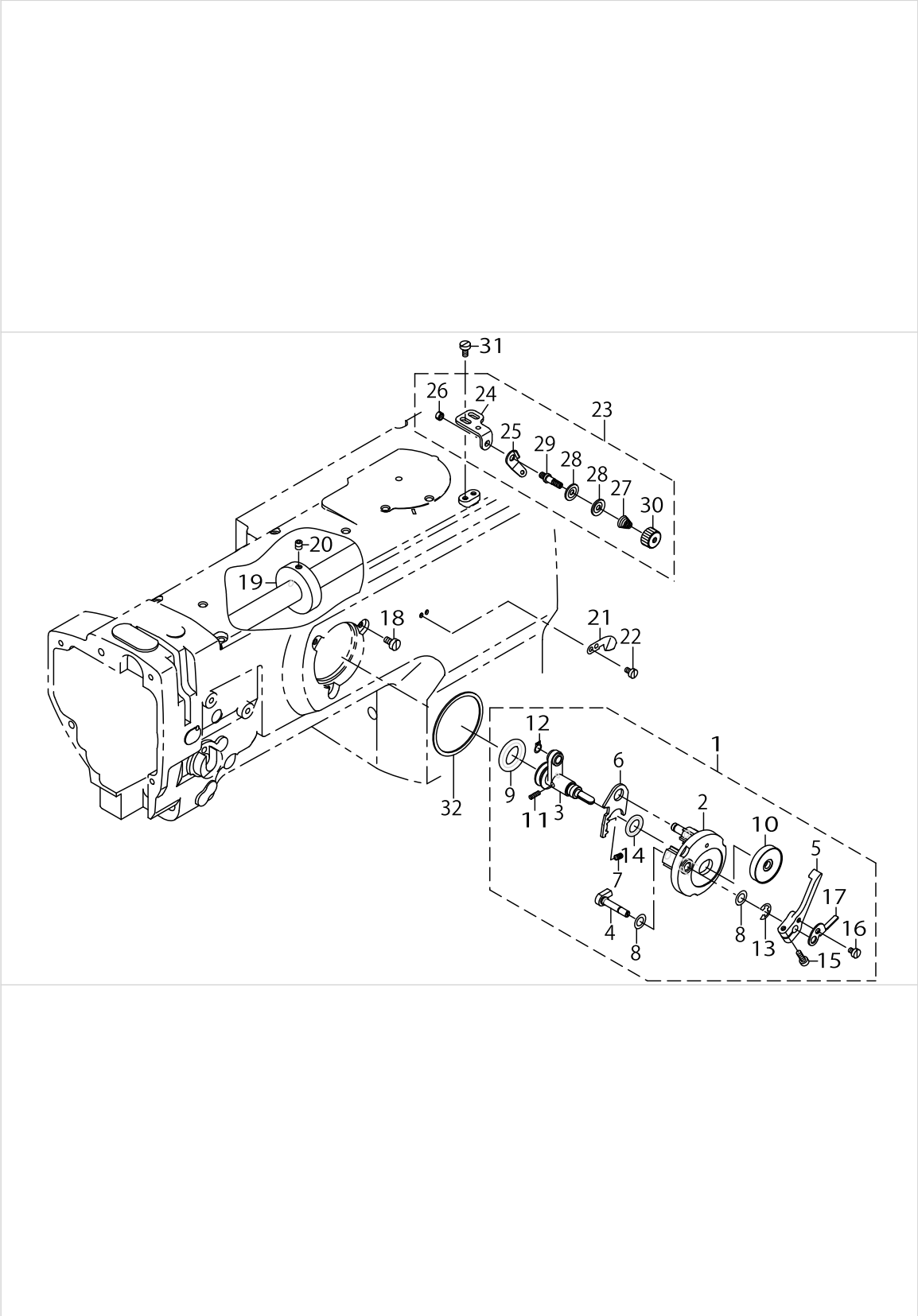
THREAD TENSION COMPONENTS



THREAD TENSION COMPONENTS

No.	Supply Code	Parts No.	Replacement	Parts name	Remarks	Choice	Step	Level	Cons	Qty	Rep. QTY
1		40143787		THREAD TENSION ASM.						1	
2		21441050		TENSION POST COMPL.				*		1	
3		10320109		SCREW STUD				*		1	
4		B3128051000		THREAD TAKE-UP SPRING A				*	☆	1	
5		B31375270A0		TAKE-UP SPRING GUIDE ASM.				*		1	
6		10320208		THRED TENSION STUD NUT				*		1	
7		22618201		TENSION RELEASE PIN A				*		2	
8		13138201		THREAD TENSION DISK				*		4	
9		22617906		THREAD TENSION DISK PRESSER				*		2	
10		B3129526000		TENSIONSPRING(1.2)				*		1	
11		B3120125000		ROTATING STOPPER				*		2	
12		11956802		THREAD TENSION KNOB BLUE				*		2	
13		10124204		THREAD TENSION POST A				*		1	
14		10741106		FIRST THREAD TENSION PLATE				*		2	
15		11045101		THREAD TENSION SPRING				*		1	
16		11072402		THREAD TENSION NUT				*		1	
17		21441100		TENSION RELEASE PLATE				*		1	
18	R	SS4080610SP	SS4080620TP	SCREW 1/8-44 L=6.4				*		1	1.00
19		SD0470281SP		HINGE SCREW D=4.7 H=2.8				*		2	
20		NS6110310SP		NUT 11/64-40				*		1	
21		D3162555B00		THREAD GUIDE				*		1	
22		B3129053000		TENSION SPRING				*		1	
23		PS0600502KP		SPRING PIN						1	
24		21348206		TENSION RELEASE BAR	SELECTIVE PARTS					1	
25		10321107		TENSION RELEASE BAR	SELECTIVE PARTS					1	
26		23006406		TENSION RELEASE BAR	SELECTIVE PARTS					1	
27		SS7110910TP		SCREW 11/64-40 L=8.5						2	

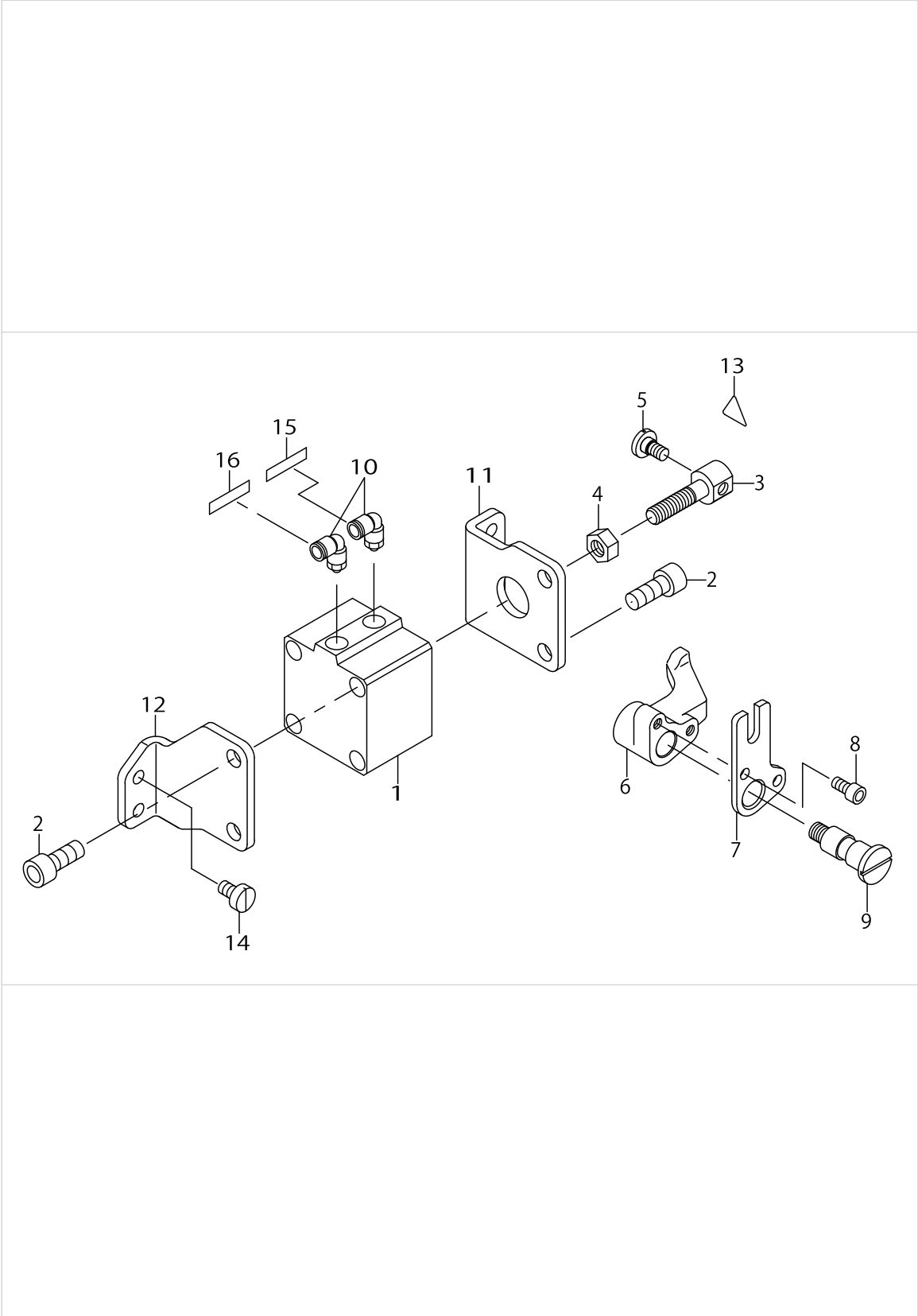
LOWER THREAD WINDER MECHANISM COMPONENTS



LOWER THREAD WINDER MECHANISM COMPONENTS

No.	Supply Code	Parts No.	Replacement	Parts name	Remarks	Choice	Step	Level	Cons	Qty	Rep. QTY
1		21357967		BOBBIN DEVICE ASM.						1	
2		22537658		BOBBIN FITTING BASIS COMPL.				*		1	
3		21357959		BOBIN SHAFT COMPL.				*		1	
4		22538151		BOBBIN CAM SHAFT COMPL.				*		1	
5		23636202		BOBBIN LEVER				*		1	
6		21356001		ADJUSTING PLATE				*		1	
7		B152989000CA		PRESSUR FOOT SPRING				*		1	
8		10618304		VERTICAL ROLLER WASHER				*		2	
9		21358205		RUBBER RING				*	☆	1	
10	R	40099618	40166874	BOBBIN_SPACER				*		1	1.00
11	R	B1148555000	22912109	SPRING				*		1	1.00
12		RC0560711KP		RETAINING RING				*		1	
13		RE0500000K0		E-RING				*		1	
14		RO092270200		RUBBER RING				*		1	
15		SS7091410SP		SCREW 9/64-40 L=13.5				*		1	
16		SS6090520SP		SCREW 9/64-40 L=5.0				*		1	
17		14512503		BOBBIN ADJUSTING PLATE				*		1	
18		SS6110810TP		SCREW 11/64-40 L=8						3	
19		10704807		BOBBIN FRICTION WHEEL						1	
20		SM8050602TP		SCREW M5 L=6						2	
21		10502300		THREAD CUTTER						1	
22	R	SS6090620SP	SS6090620TP	SCREW 9/64-40 L=6						2	1.00
23		21355755		LOWER THREAD GUIDE ASM.						1	
24	R	21355706	21355755	FITTING BASE				*		1	1.00
25		D3162555B00		THREAD GUIDE				*		1	
26		NS6110310SP		NUT 11/64-40				*		1	
27		22945505		THREAD TENSION SPRING				*		1	
28		40113092		THREAD TENSION DISK				*		2	
29	R	21378708	21355755	THREAD TENSION POST				*		1	1.00
30		22945703		THREAD TENSION NUT				*		1	
31		SM6040800SP		SCREW						2	
32		22538706		PACKING						1	

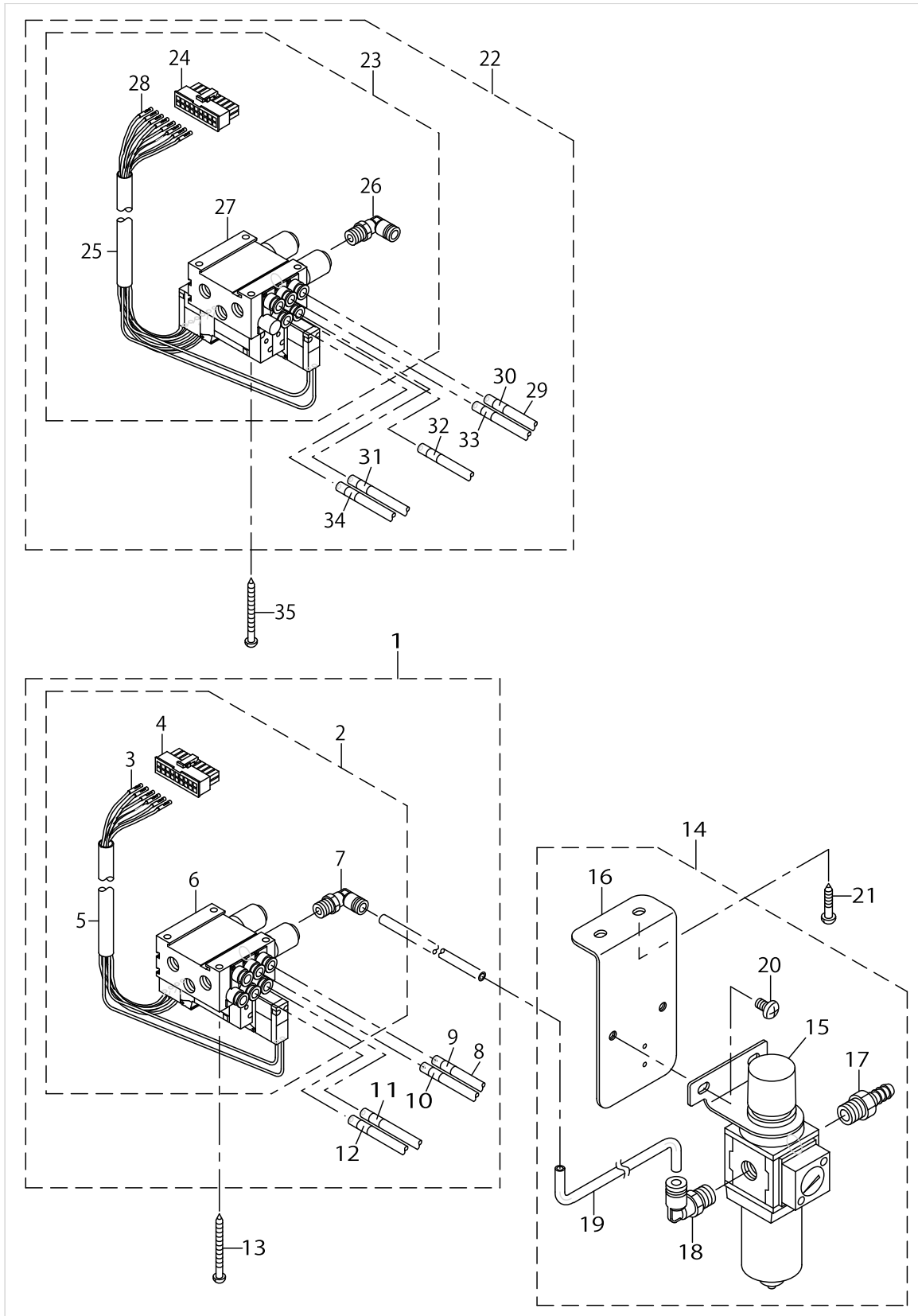
AUTOMATIC PRESSER LIFTING MECHANISM COMPONENTS



AUTOMATIC PRESSER LIFTING MECHANISM COMPONENTS

No.	Supply Code	Parts No.	Replacement	Parts name	Remarks	Choice	Step	Level	Cons	Qty	Rep. QTY
1		PA400150100		AIR CYLINDER						1	
2		SM6082002TP		SCREW M8 L=20						4	
3		21356506		CYLINDER CONNECTING SCREW						1	
4		NM6080001SE		NUT M8						1	
5		SD0720331SP		HINGE SCREW D=7.24 H=3.3						1	
6		21388509		PRESSER LIFTER LEVER A						1	
7		21356803		PRESSER LIFTER LEVER B						1	
8		SM6051002TP		SCREW M5X0.8 L=10						2	
9		21356704		SHAFT						1	
10		PJ304065101		ELBOW UNION 6XPT1/8						2	
11		21356308		CYLINDER STAY(FRONT)						1	
12		21356407		CYLINDER STAY(REAR)						1	
13		CM300200001		ATTENTION SEAL						1	
14		SS6151040SP		SCREW15/64-28L=10						4	
15		HX00295000A		WIRE MARK(2)						1	
16		HX00295000B		WIRE MARK(3)						1	

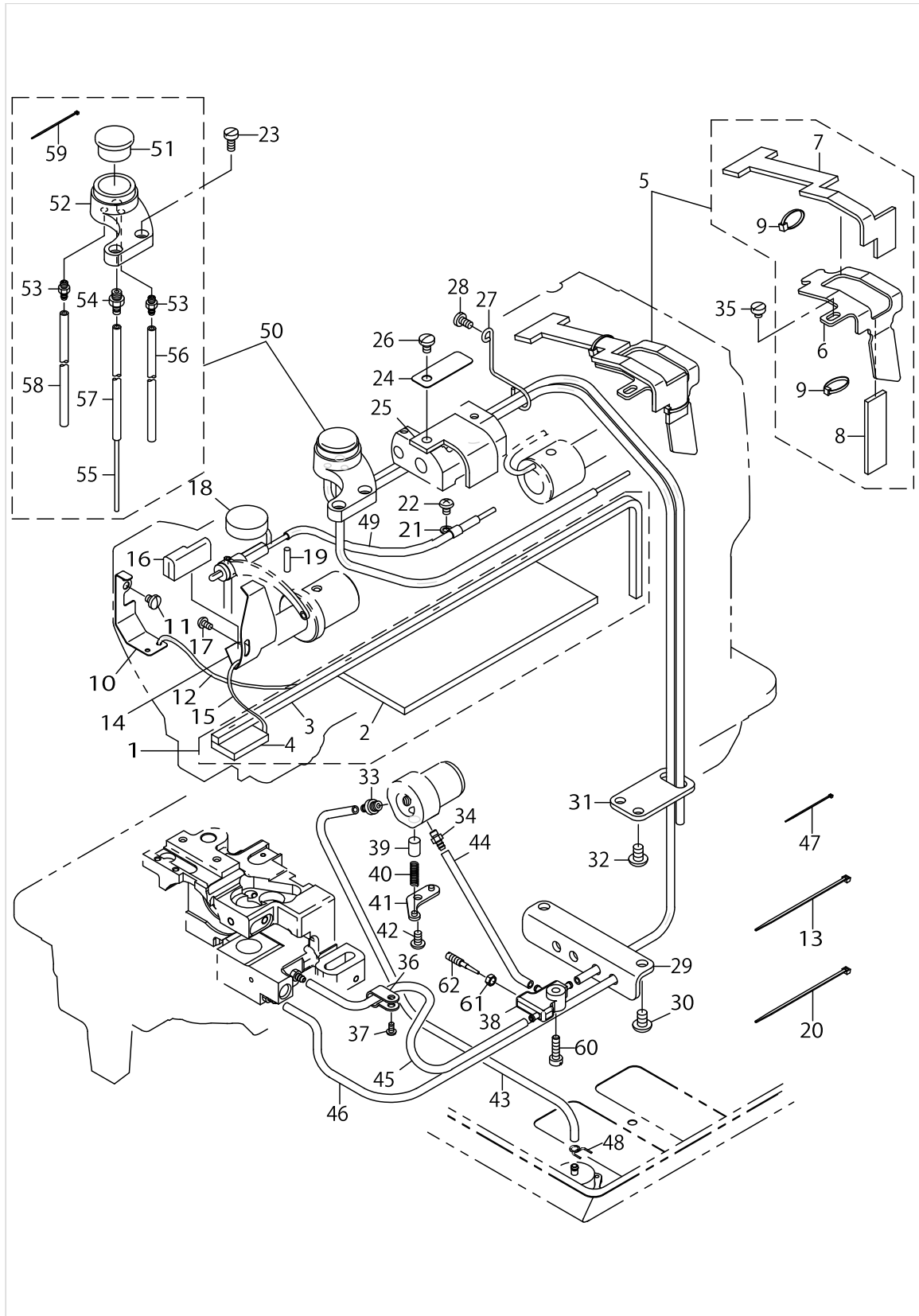
AIR MECHANISM COMPONENTS



AIR MECHANISM COMPONENTS

No.	Supply Code	Parts No.	Replacement	Parts name	Remarks	Choice	Step	Level	Cons	Qty	Rep. QTY
1		40166317		AIR APPARATUS S ASM.	NO DL EQUIPMENT					1	
2		40166316		ELECTRONMAGNET- IC VALVE S ASM.				*		1	
3		HK03464000A		TERMINAL FEMALE				*		6	
4		HK034610180		CONNECTOR				*		1	
5		GAKA1503000		INSULATION TUBE				*		1	
6		40038908		MAGNETIC VALVE(N)				*		1	
7		GAK29010000		ELBOW B				*		1	
8		BT0600401EB		TUBE				*		4	
9		HX002950000		WIRE MARK(1)				*		4	
10		HX00295000A		WIRE MARK(2)				*		4	
11		HX00295000D		WIRE MARK(5)				*		4	
12		HX00295000B		WIRE MARK(3)				*		4	
13		SK3385001SE		WOOD SCREW D=3.8 L=50						2	
14		40038722		FILTER REGULATAR ASM.						1	
15		PF0552170A0		FILTER REGULATOR				*		1	
16		40038723		FILTER REGULATOR MOUNTING PLATE				*		1	
17		40107618		NIPPLE				*		1	
18		GAK29009000		ELBOW				*		1	
19		BT0600401EB		TUBE				*		1	
20		SM4061001SB		SCREW M6 L=10				*		2	
21		SK3482501SE		WOOD SCREW D=4.8 L=25						2	
22		40103001		AIR APPARATUS(M)ASM.	THERE DL EQUIPMENT					1	
23		40103000		ELECTROMAGNETIC VALVE (M) ASM.				*		1	
24		HK034610180		CONNECTOR				*		1	
25		GAKA1503000		INSULATION TUBE				*		1	
26		GAK29010000		ELBOW B				*		1	
27		40038717		ELECTROMAGNETIC VALVE(M)				*		1	
28		HK03464000A		TERMINAL FEMALE				*		8	
29		BT0600401EB		TUBE				*		5	
30		HX002950000		WIRE MARK(1)				*		4	
31		HX00295000D		WIRE MARK(5)				*		4	
32		HX00295000C		WIRE MARK(4)				*		4	
33		HX00295000A		WIRE MARK(2)				*		4	
34		HX00295000B		WIRE MARK(3)				*		4	
35		SK3385001SE		WOOD SCREW D=3.8 L=50						1	

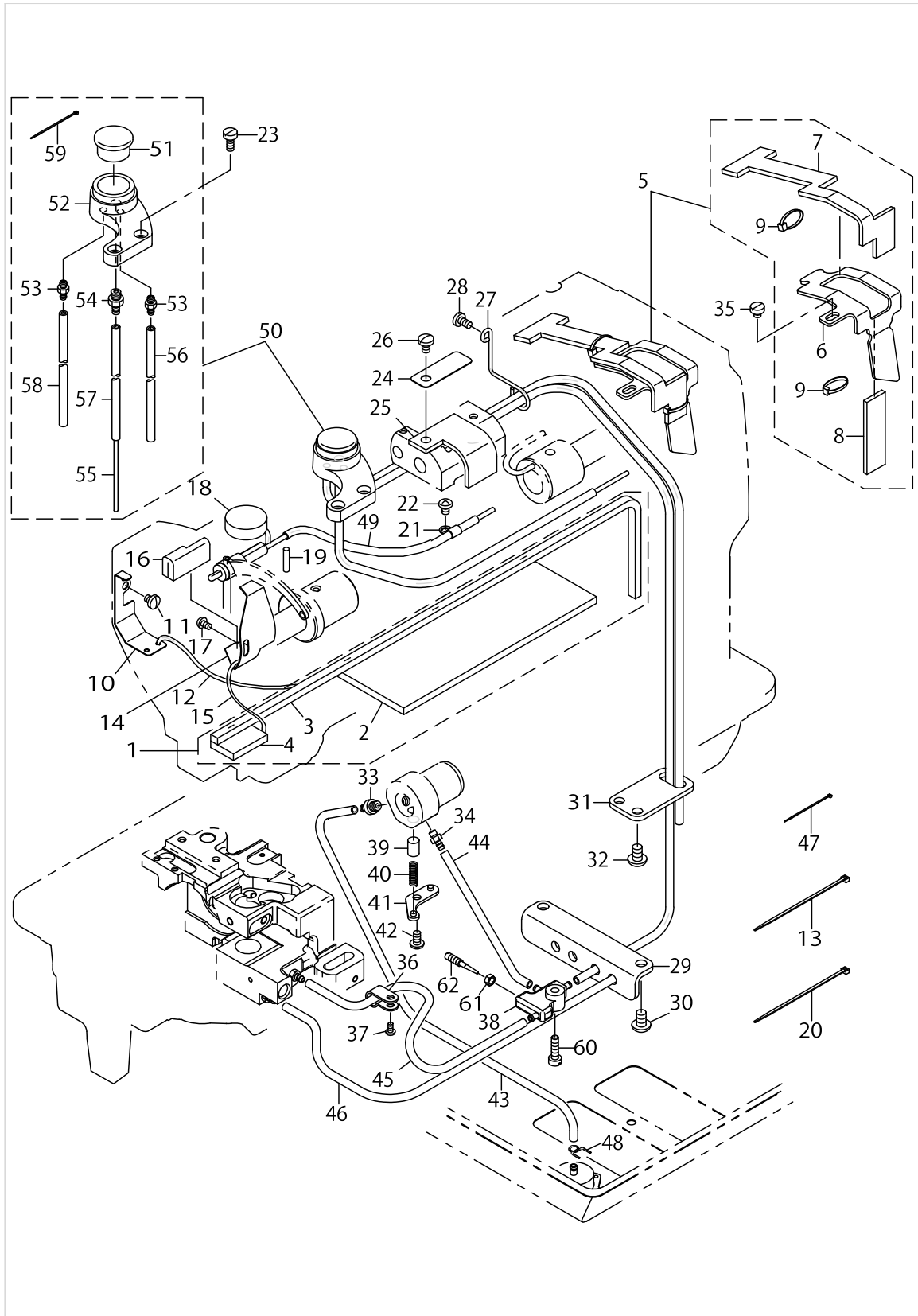
LUBRICATION COMPONENTS



LUBRICATION COMPONENTS

No.	Supply Code	Parts No.	Replacement	Parts name	Remarks	Choice	Step	Level	Cons	Qty	Rep. QTY
1		21345756		ARM ONCE THROU- GH OIL FELT ASM.						1	
2		21345707		ARM ONCE THROUGH FELT A				*		1	
3		21345806		FELT B				*		1	
4		21345905		FACE ONCE THROUGH FELT				*		1	
5		21346358		FELT SUPPORT ASM.						1	
6		21346309		FELT				*		1	
7		21346507		FEED CHANGE FELT				*		1	
8		21346408		FELT				*		1	
9		EA9500B0000		CLIP CV-70S				*		2	
10		21340708		UPPER FEED OIL BAR PLATE						1	
11		SS7110510SP		SCREW 11/64-40 L=5						1	
12		CQ202000000		OIL WICK						.2	
13		EA9500B0100		CABLE BAND						1	
14		21347000		TAKE-UP OIL PLATE						1	
15		CQ202000000		OIL WICK						.25	
16		21347208		TAKE-UP LUBRICATION FELT						1	
17		SS3090610SP		SCREW 9/64-40 L=6						1	
18		21346002		FELT						1	
19		B1412051000		FELT						1	
20		A407855000A		CLIP BAND						1	
21		B3538112000		OIL RETURN TUBE HOLDER						1	
22		SS4110615SP		SCREW 11/64-40 L=6						1	
23		SS6111010TP		SCREW 11/64-40 L=9.5						2	
24		21346101		LUBRICATION FELT PRESSER						1	
25		21346200		MUTUAL VERTICAL CHANGE FELT						1	
26		SS7120760SP		SCREW 3/16-28 L=7.0						1	
27		21346606		PIPE SUPPORT						1	
28		SS7110830SP		SCREW 11/64-40 L=7.5						1	
29		21345103		LUBRICATION BRACKET						1	
30		SS4150915SP		SCREW 15/64-28 L=9						2	
31		21345202		OIL PIPE STAY						1	
32		SS4150915SP		SCREW 15/64-28 L=9						2	
33		40064409		CONNECTION SCREW ASM.						1	
34		SQ1110401MZ		CONNECTING SCREW						1	
35		SS6110480SP		SCREW 11/64-40 L=4.3						1	
36		HX00123000A		CABLE CLIP						1	
37		SM5030655SP		SCREW						1	
38		40032804		BASE						1	
39		B3534155000		PLUNGER						1	
40		B1214038000		PLUNGER SPRING						1	
41		B3524552000		PLUNGER THRUST PLATE						1	
42		SS4110815SP		SCREW 11/64-40 L=8						1	
43		23630007		TUBE						.36	
44		23630007		TUBE						.13	
45		23630007		TUBE						.185	
46		23630007		TUBE						.38	

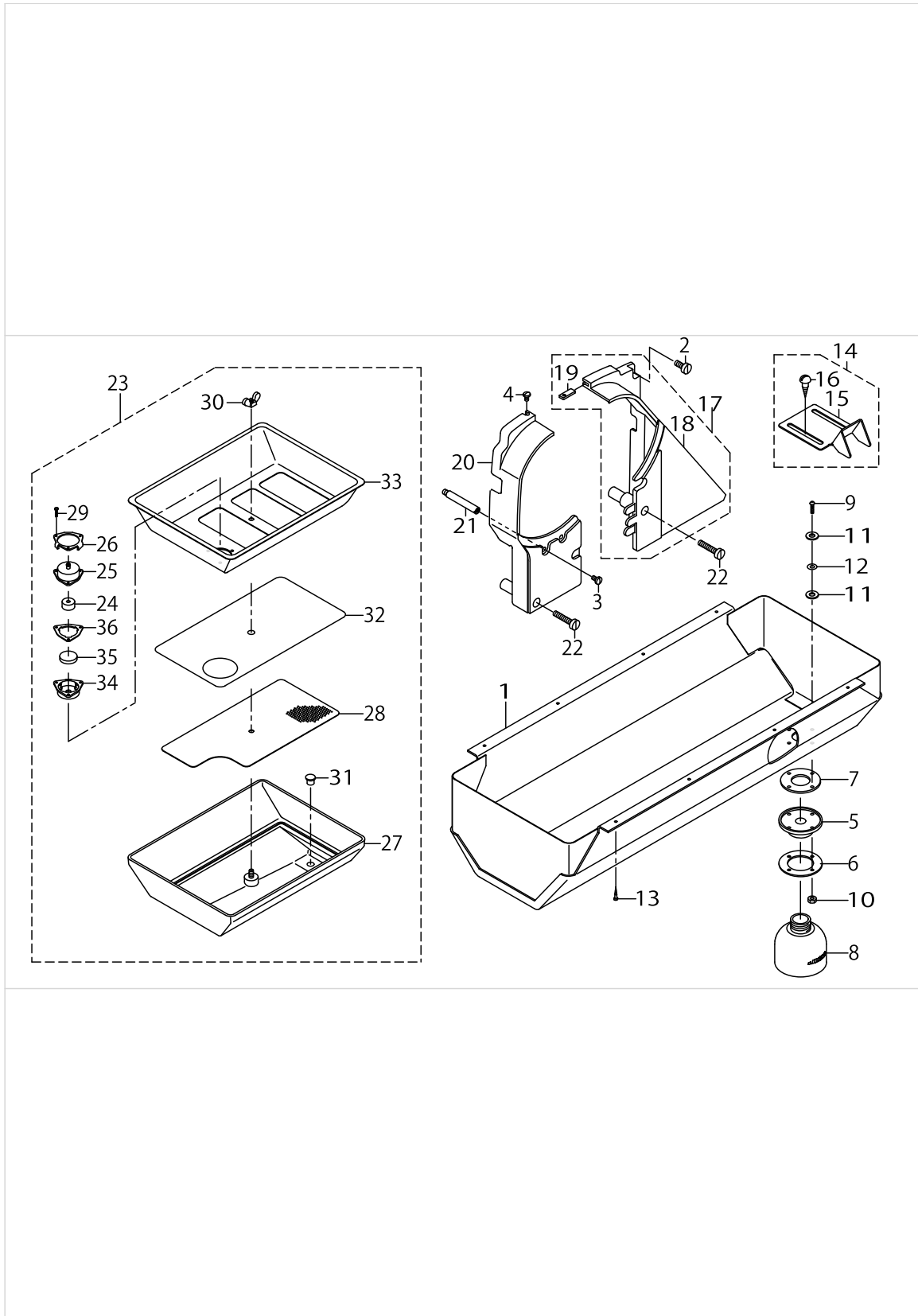
LUBRICATION COMPONENTS



LUBRICATION COMPONENTS

No.	Supply Code	Parts No.	Replacement	Parts name	Remarks	Choice	Step	Level	Cons	Qty	Rep. QTY
47		EA9500B0100		CABLE BAND						11	
48		10126803		OIL TUBE HOLDER						1	
49		BT0600402EA		OIL TUBE						.12	
50		40051503		ARM OIL TANK ASM.						1	
51		B3520586000		OIL SIGHT WINDOW				*		1	
52	R	21345608	21345657	ARM OIL TANK				*		1	1.00
53		SQ1110401MZ		CONNECTING SCREW				*		2	
54		SQ1150451MZ		CONNECTING SCREW				*		1	
55		CQ252000000		OIL WICK				*		0.7	
56		23630007		TUBE				*		0.5	
57		23630007		TUBE				*		0.2	
58		23630007		TUBE				*		0.6	
59		EA9500B0100		CABLE BAND				*		3	
60		SS6111620SP		SCREW 11/64-40 L=16.0						1	
61		NS6110310SP		NUT 11/64-40						1	
62		B1834512000A		OIL ADJUSTING SCREW						1	

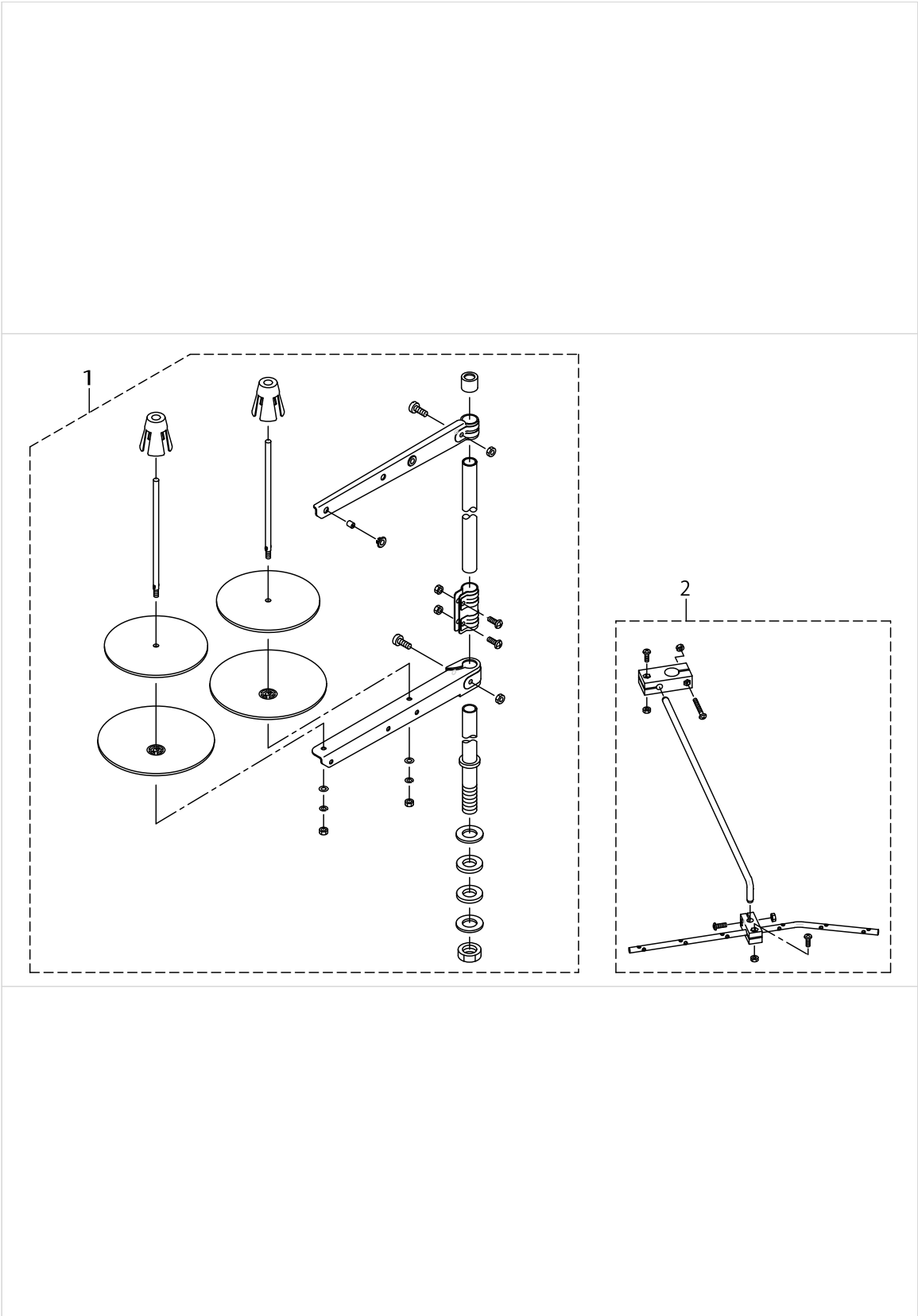
BELT COVER & OIL RESERVOIR COMPONENTS



BELT COVER & OIL RESERVOIR COMPONENTS

No.	Supply Code	Parts No.	Replacement	Parts name	Remarks	Choice	Step	Level	Cons	Qty	Rep. QTY
1		21351457		OIL RESERVOIR ASM.						1	
2		SS6151440SP		SCREW15/64-28L=14						1	
3		SS7110840SP		SCREW 11/64-40 L=7.8						1	
4		SS5110740TP		SCREW 11/64-40 L= 6.5						1	
5		40025299		OIL POT JOINT						1	
6		21379003		OIL MANAGEMENT WASHER						1	
7		B8112220000		OIL SEAL						1	
8		40025300		OIL POT						1	
9		SM3031401SE		SCREW M3X0.5 L=14						4	
10		NM6030001SC		NUT M3						4	
11		10748101		OIL REMOVING SET- SCREW PACKING						8	
12		WP0320501SC		WASHER M3						4	
13		SK3241601SC		WOOD SCREW D=2.4 L=16						8	
14		10755254		BELT COVER C ASM. (FOR JE)						1	
15		10755205		BELT COVER C(JE)				*		1	
16	R	SK3482500SC	SK3482501SE	WOOD SCREW D=4.8 L=25				*		2	1.00
17		21351150		BELT COVER ASM. (RIGHT)						1	
18	R	21351101	21351150	BELT COVER (RIGHT)				*		1	1.00
19		21351002		BELT COVER AUXILIARY PLATE				*		1	
20		21351200		BELT COVER (LEFT)						1	
21		D8232241E00		BELT COVER SUPPORT A						1	
22		SS6153040SP		SCREW15/64-28L=30						2	
23		21345350		OIL TANK ASM.						1	
24		10727303		FILTER				*	☆	1	
25		10727204		FILTER CAP				*		1	
26		10753002		FILTER PLATE				*		1	
27		21345301		OIL TANK				*		1	
28		21346804		COVER(LOWER)				*		1	
29		SM6021000TP		SCREW				*		3	
30		NM9050001SC		WING NUT M5X0.8				*		1	
31		TA0800704R0		RUBBER PLUG				*		1	
32		21346903		FILTER				*	☆	1	
33		21346705		COVER(REAR)				*		1	
34		21345509		FILTER CASE				*		1	
35		B8228125000		OIL RESERVOIR MAGNET				*		1	
36		10739209		FILTER PACKING				*		1	

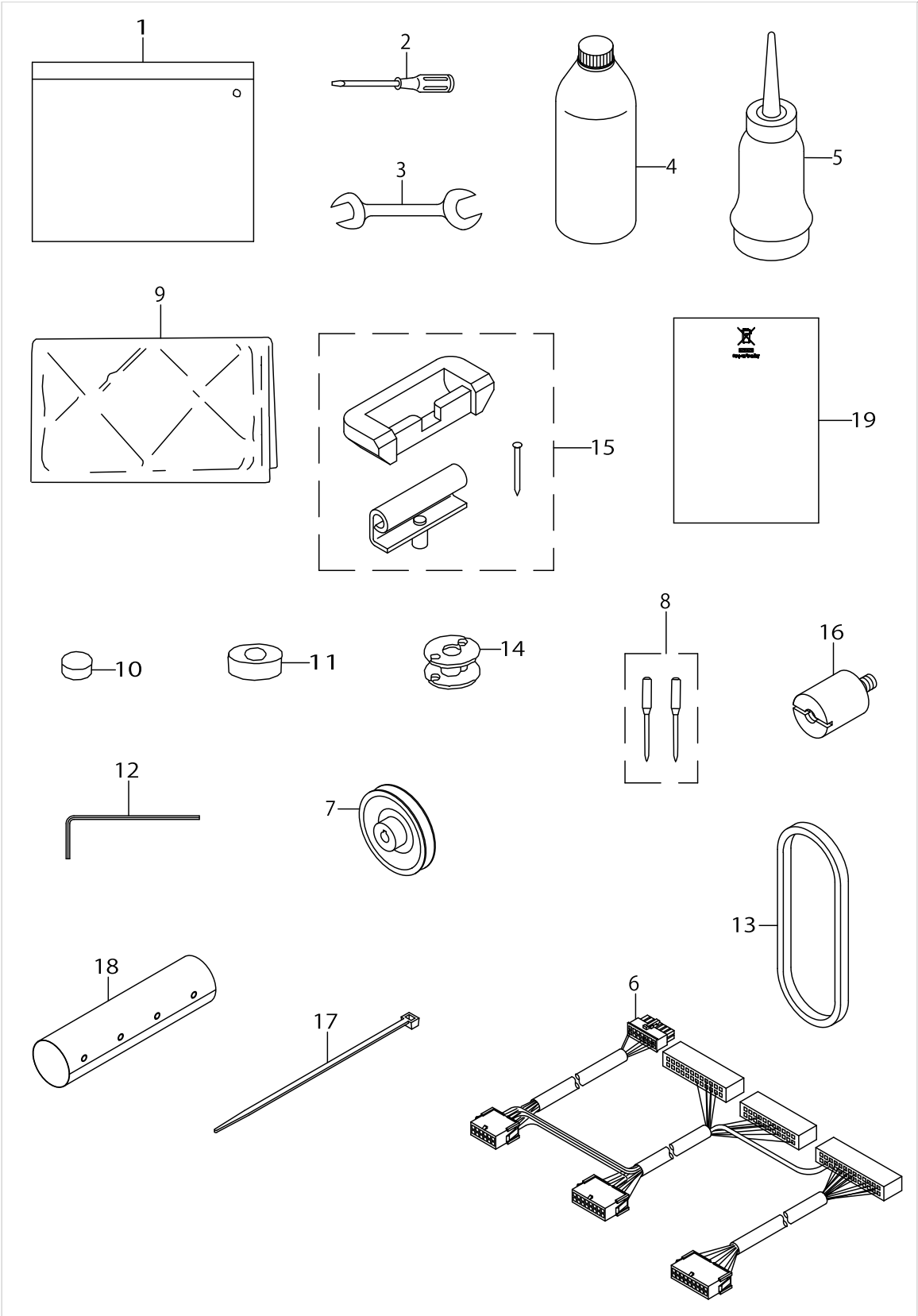
THREAD STAND COMPONENTS



THREAD STAND COMPONENTS

No.	Supply Code	Parts No.	Replacement	Parts name	Remarks	Choice	Step	Level	Cons	Qty	Rep. QTY
1		40096354		THREAD STAND ASM.						1	
2		26910059		THREAD GUIDE ARM ASM.						1	


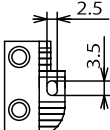
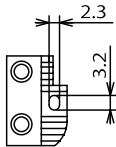
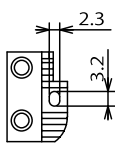
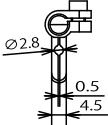
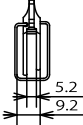
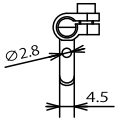
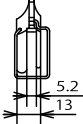
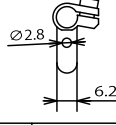
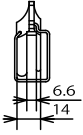
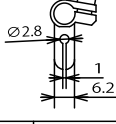
ACCESSORIES PARTS COMPONENTS



ACCESSORIES PARTS COMPONENTS

No.	Supply Code	Parts No.	Replacement	Parts name	Remarks	Choice	Step	Level	Cons	Qty	Rep. QTY
1		21413158		ACCESSORY BAG ASM.						1	
2		22933006		SCREW DRIVER LARGE						1	
3		B9113012000		WRENCH (9X10)						1	
4		MDFRX2700C0		NEW DEFRIX OIL NO.2(700CC)						1	
5		J1067000000		OILER						1	
6		40101742		RELAY CORD ASM.						1	
7	D	MTSP00900B0		MOTOR PULLEY ASM. P.C.D 90						1	
8		M13517B1202		NEEDLE 135X17 #120-2					☆	1	
9		22933303		VINYL COVER						1	
10		B8206012000		FELT CUSHION						4	
11		B8209012000		RUBBER CUSHION						4	
12		40079298		WRENCH						1	
13		MTJVH00430A		V BELT 43INCH						1	
14		21334800		ALUMINUM BOBBIN WITH KNURL					☆	1	
15		21413257		RUBBER HINGE ASM.						1	
16		40101368		PANEL STUD						2	
17		EA9500B0100		CABLE BAND						3	
18		40102736		BUTTON TUBE						.35	
19		CM600100201		WEEE INFORMATION SHEET						1	


















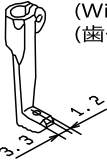

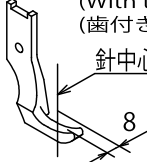
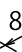
GAUGE COMPONENTS (1)

		Item 品名		
Throat plate 針板	Standard 標準			
		Ref.No.	1	
		Part No.	401-62276	
Feed dog 送り歯	Standard 標準			
		Ref.No.	2	
		Part No.	401-62277	
	Option オプション			
		Ref.No.	3	
		Part No.	401-65977	
				
Ref.No.	4			
Part No.	401-65978			
		Working foot 中足	Presser foot 押え足	
Standard 標準				
	Ref.No.	5	Ref.No.	9
	Part No.	400-41246	Part No.	400-41243
Option オプション				
	Ref.No.	6	Ref.No.	10
	Part No.	B1470-053-0A0	Part No.	213-50152
				
	Ref.No.	7		
	Part No.	D1470-241-EA0		
				
Ref.No.	8	Ref.No.	11	
Part No.	D1470-241-EAA	Part No.	B1525-241-HA0	

GAUGE COMPONENTS (1)

No.	Supply Code	Parts No.	Replacement	Parts name	Remarks	Choice	Step	Level	Cons	Qty	Rep. QTY
1		40162276		THROAT_PLATE_TRIM						1	
2		40162277		FEED_DOG						1	
3		40165977		FEED DOG NM120						1	
4		40165978		FEED DOG NM130						1	
5		40041246		UPPER FEED FOOT(FOR AM)ASM.						1	
6		B14700530A0		WALKING FOOT ASM.						1	
7		D1470241EA0		WALKING FOOT ASM.						1	
8		D1470241EAA		WALKING FOOT ASM.						1	
9		40041243		PRESSER FOOT(FOR AM)						1	
10		21350152		PRESSER FOOT ASM.						1	
11		B1525241HA0		PRESSER FOOT ASM.						1	

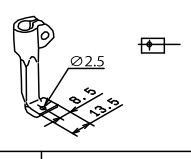
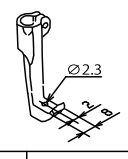
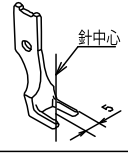
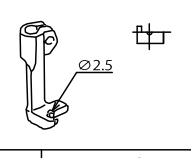
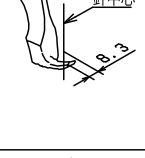
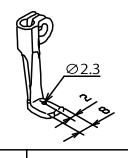
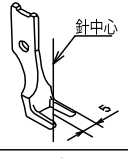
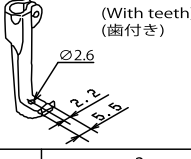
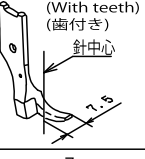
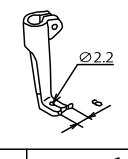
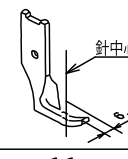
GAUGE COMPONENTS (2)

Item	Walking foot		Item	Presser foot						
	品名	中足		品名	外足					
For piping パイピング用	 (Commonly used for every size of presser foot) (各サイズ共用)		 		Ref.No.	Part No.	Size(mm)	Ref.No.	Part No.	
					1	B1478-245-000	4.4mm(5/32)	12	B1530-245-0AC	
							4.8mm(3/16)	13	B1530-245-0AD	
							6.4mm(1/4)	14	B1530-245-0AF	
							7.9mm(5/16)	15	B1530-245-0AH	
							9.5mm(3/8)	16	B1530-245-0AK	
	 		 		Size(mm)	Ref.No.	Part No.	Size(mm)	Ref.No.	Part No.
					4.4mm(5/32)	2	B1478-245-000	4.4mm(5/32)	17	B1531-245-0AC
					4.8mm(3/16)	3	B1479-245-00D	4.8mm(3/16)	18	B1531-245-0AD
					6.4mm(1/4)	4	B1479-245-00F	6.4mm(1/4)	19	B1531-245-0AF
7.9mm(5/16)					5	B1479-245-00H	7.9mm(5/16)	20	B1531-245-0AH	
9.5mm(3/8)							9.5mm(3/8)			
 		 		Size(mm)	Ref.No.	Part No.	Size(mm)	Ref.No.	Part No.	
				4.4mm(5/32)	6	B1474-245-00C	4.4mm(5/32)	21	B1527-245-0AC	
				4.8mm(3/16)	7	B1474-245-00D	4.8mm(3/16)	22	B1527-245-0AD	
				6.4mm(1/4)	8	B1474-245-00F	6.4mm(1/4)	23	B1527-245-0AF	
				7.9mm(5/16)	9	B1474-245-00H	7.9mm(5/16)	24	B1527-245-0AH	
				9.5mm(3/8)	10	B1474-245-00K	9.5mm(3/8)	25	B1527-245-0AK	
 (With teeth) (歯付き)		 (With teeth) (歯付き) 針中心		Ref.No.	Part No.	Ref.No.	Part No.			
				11	103-38309	26	B1525-563-SA0			

GAUGE COMPONENTS (2)

No.	Supply Code	Parts No.	Replacement	Parts name	Remarks	Choice	Step	Level	Cons	Qty	Rep. QTY
1		B1478245000		INNER PRESSER						1	
2		B1478245000		INNER PRESSER						1	
3		B147924500D		CENTER PRESSER FOOT 3/16						1	
4		B147924500F		BACK CUT INNER PRESSER 1/4						1	
5		B147924500H		BACK CUT INNER PRESSER 5/16						1	
6		B147424500C		INNER PRESSER 5/32						1	
7		B147424500D		INNER PRESSER (BLADE) 3/16						1	
8		B147424500F		WALKING FOOT F						1	
9		B147424500H		INNER PRESSER 5/16						1	
10		B147424500K		CENTER PRESSER FOOT 3/8						1	
11	D	10338309		UPPER FEED FOOT						1	
12		B15302450AC		OUTER PRESSER ASM. 5/32						1	
13		B15302450AD		OUTER PRESSER F- OOT ASM. 3/16.						1	
14		B15302450AF		OUTER PRESSER FOOT 1/4 ASM.						1	
15		B15302450AH		OUTER PRESSER F- OOT ASM. (5/16)						1	
16		B15302450AK		OUTER PRESSER FOOT ASM. (3/8)						1	
17		B15312450AC		OUTER PRESSER ASM. 5/32						1	
18		B15312450AD		OUTER PRESSER FOOT ASM. 3/16						1	
19		B15312450AF		OUTER PRESSER ASM. 1/4						1	
20		B15312450AH		FEEDING FRAME 5/16 ASM.						1	
21		B15272450AC		OUTER PRESSER FOOT ASM. 5/32						1	
22		B15272450AD		FEEDING FRAME 3/16 ASM.						1	
23		B15272450AF		OUTER PRESSER ASM. 1/4						1	
24		B15272450AH		OUTER PRESSER FOOT ASM. 5/16						1	
25		B15272450AK		OUTER PRESSER FOOT ASM.3/8						1	
26		B1525563SA0		PRESSER FOOT ASM.						1	

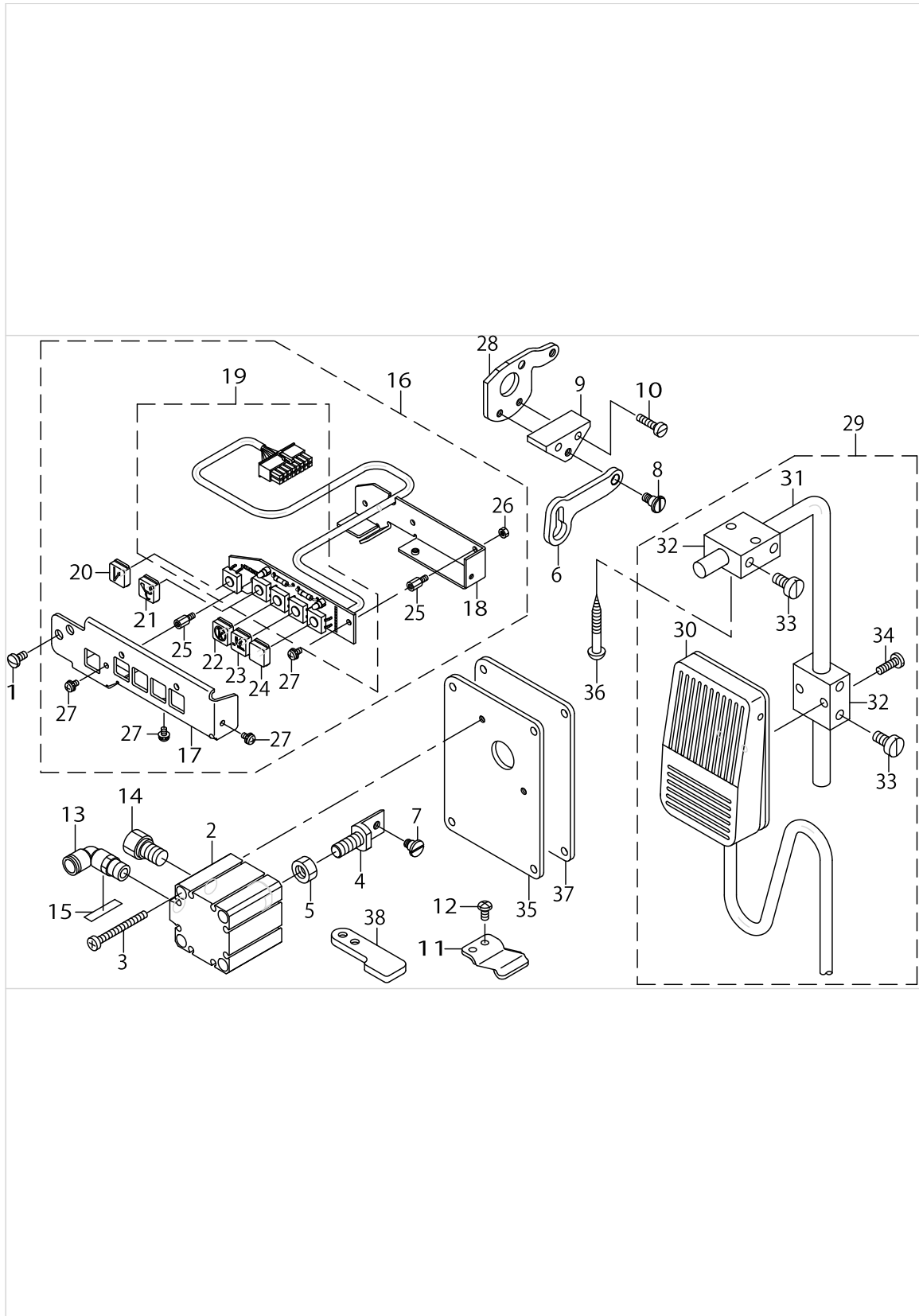
GAUGE COMPONENTS (3)

Item 品名	Walking foot 中足	Presser foot 外足	Item 品名	Walking foot 中足	Presser foot 外足
		(With teeth) (歯付き) テープ付け用 FOR BINDING			
Ref.No.	1		Ref.No.	4	8
Part No.	MAQ-09307000		Part No.	103-25306	103-25157
					
Ref.No.	2	6	Ref.No.	5	9
Part No.	MAN-10452000	MAQ-093080A0	Part No.	103-26205	103-26304
		(With teeth) (歯付き) 			
Ref.No.	3	7	Ref.No.	10	11
Part No.	B1476-245-00A	B1529-245-0AA	Part No.	B1470-245-000	B1524-245-0A0

GAUGE COMPONENTS (3)

No.	Supply Code	Parts No.	Replacement	Parts name	Remarks	Choice	Step	Level	Cons	Qty	Rep. QTY
1		MAQ09307000		WALKING FOOT						1	
2		MAN10452000		UPPER FEED FOOT						1	
3		B147624500A		INNER PRESSER						1	
4		10325306		WALKING FOOT						1	
5	D	10326205		UPPER FEED FOOT						1	
6		MAQ093080A0		PRESSER FOOT ASM.						1	
7		B15292450AA		OUTER PRESSER FOOT ASM. RIGHT						1	
8		10325157		PRESSER FOOT ASM.						1	
9		10326304		PRESSER FOOT						1	
10	R	B1470245000	B14702450A0	WALKING FOOT						1	1.00
11		B15242450A0		PRESSER FOOT ASM.						1	

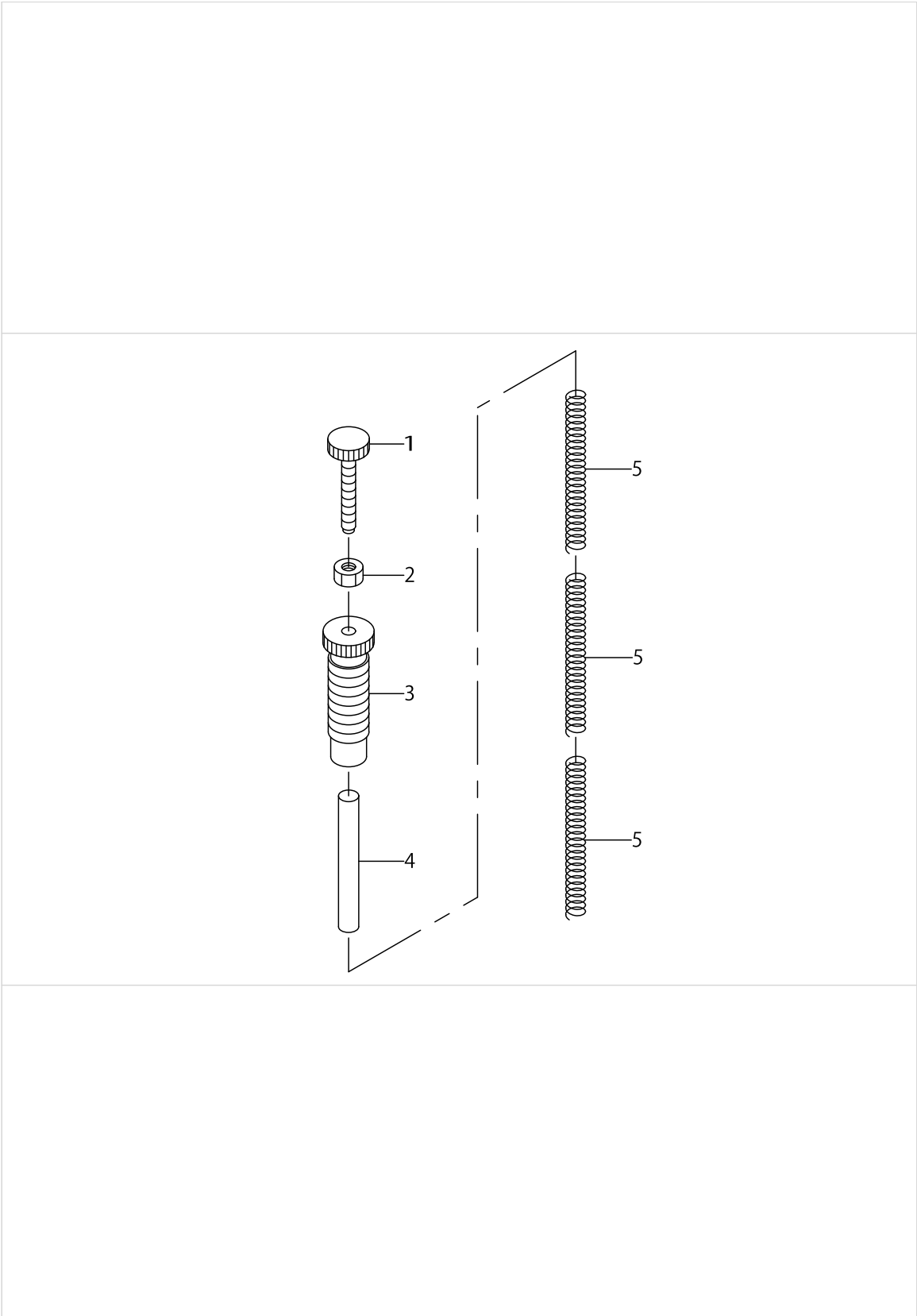
OPTIONAL PARTS (DL MECHANISM) COMPONENTS



OPTIONAL PARTS (DL MECHANISM) COMPONENTS

No.	Supply Code	Parts No.	Replacement	Parts name	Remarks	Choice	Step	Level	Cons	Qty	Rep. QTY
1		SS7110840SP		SCREW 11/64-40 L=7.8						2	
2		PA320200100		JIG CYLINDER						1	
3		SM6044002TP		SCREW						2	
4		21438403		CYLYNDER CONNECTING SCREW						1	
5		NM6080721SE		NUT M8						1	
6		21438502		MUTUAL VERTICAL LINK						1	
7		SD0600403TP		HINGE SCREW						1	
8		SD0600454TP		SHOULDER SCREW						1	
9		21438601		MUTUAL VERTICAL LINK SPASER						1	
10		SS6111610SP		SCREW11/64-40L=16						2	
11		21438700		MUTUAL VERTICAL LINK SUPPORT						1	
12		SS4110815SP		SCREW 11/64-40 L=8						2	
13		PJ304065101		ELBOW UNION 6XPT1/8						1	
14		PX015101000		MUFFLER						1	
15		HX00295000C		WIRE MARK(4)						1	
16		40102062		5RANGE SWITCH ASM.						1	
17		21442603		SWITCH COVER				*		1	
18		21442702		SWITCH CIRCUIT FITTING BASE				*		1	
19		40102061		5RANGE SWITCH SUB ASM.				*		1	
20		21442900		KEY TOP A				*		1	
21		21443007		KEY TOP B				*		1	
22		21443106		KEY TOP C				*		1	
23		21443205		KEY TOP D				*		1	
24		21443809		KEY TOP F				*		1	
25		HX00354000N		SPACER				*		4	
26		NM6030001SC		NUT M3				*		3	
27		SL4030631SC		SCREW M3X6				*		4	
28		21438106		STOPPER PLATE B						1	
29		40025036		KNEE SWITCH ASM.						1	
30		40025035		KNEE SWITCH ASM.				*		1	
31		MAT80231T00		DRIVING BAR T002				*		1	
32		MAT80230T00		KNEE SWITCH SUPPORT BASE				*		2	
33		SS6151220SP		SCREW 15/64-28 L=11.5				*		4	
34	R	SS7111410SP	SS7111410TP	SCREW11/64-40L=14				*		2	1.00
35		21437207		WINDOW PLATE F						1	
36	R	SK3514000SC	SK3514001SE	WOOD SCREW D=5.1 L=40						2	1.00
37		21437306		WINDOW PLATE E PACKING						1	
38		21438205		UPPER FEED STOPPER PLATE						1	

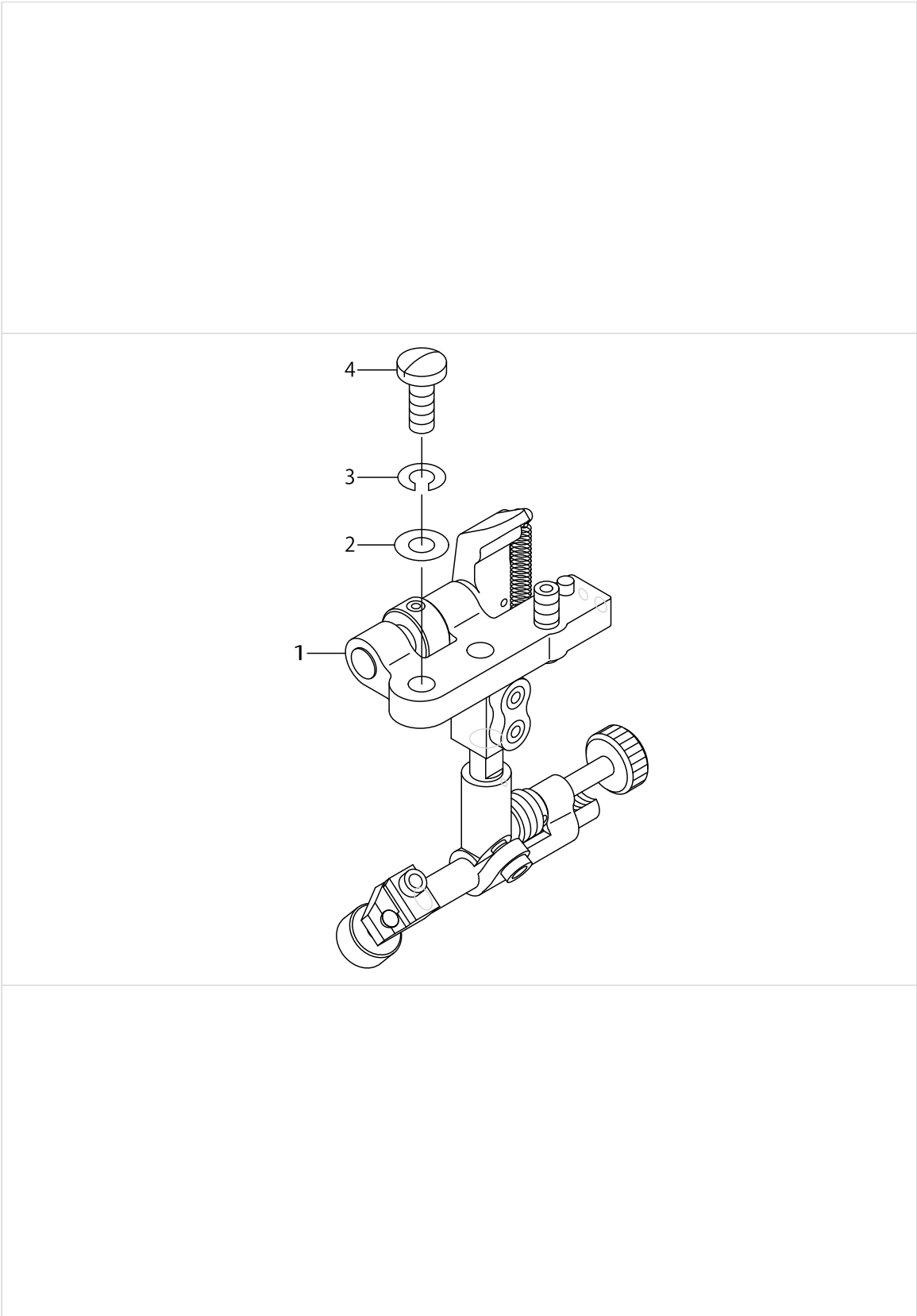
OPTIONAL PARTS (ADDITIONAL SPRING FOR PRESSER BAR) COMPONENTS



OPTIONAL PARTS (ADDITIONAL SPRING FOR PRESSER BAR) COMPONENTS

No.	Supply Code	Parts No.	Replacement	Parts name	Remarks	Choice	Step	Level	Cons	Qty	Rep. QTY
1		21006507		ADJUST SCREW B						1	
2		NS6110530SP		NUT 11/64-40						1	
3		21006408		ADJUST SCREW A						1	
4		21342407		GUIDE SHAFT						1	
5		21006002		ADJUST SPRING B						3	

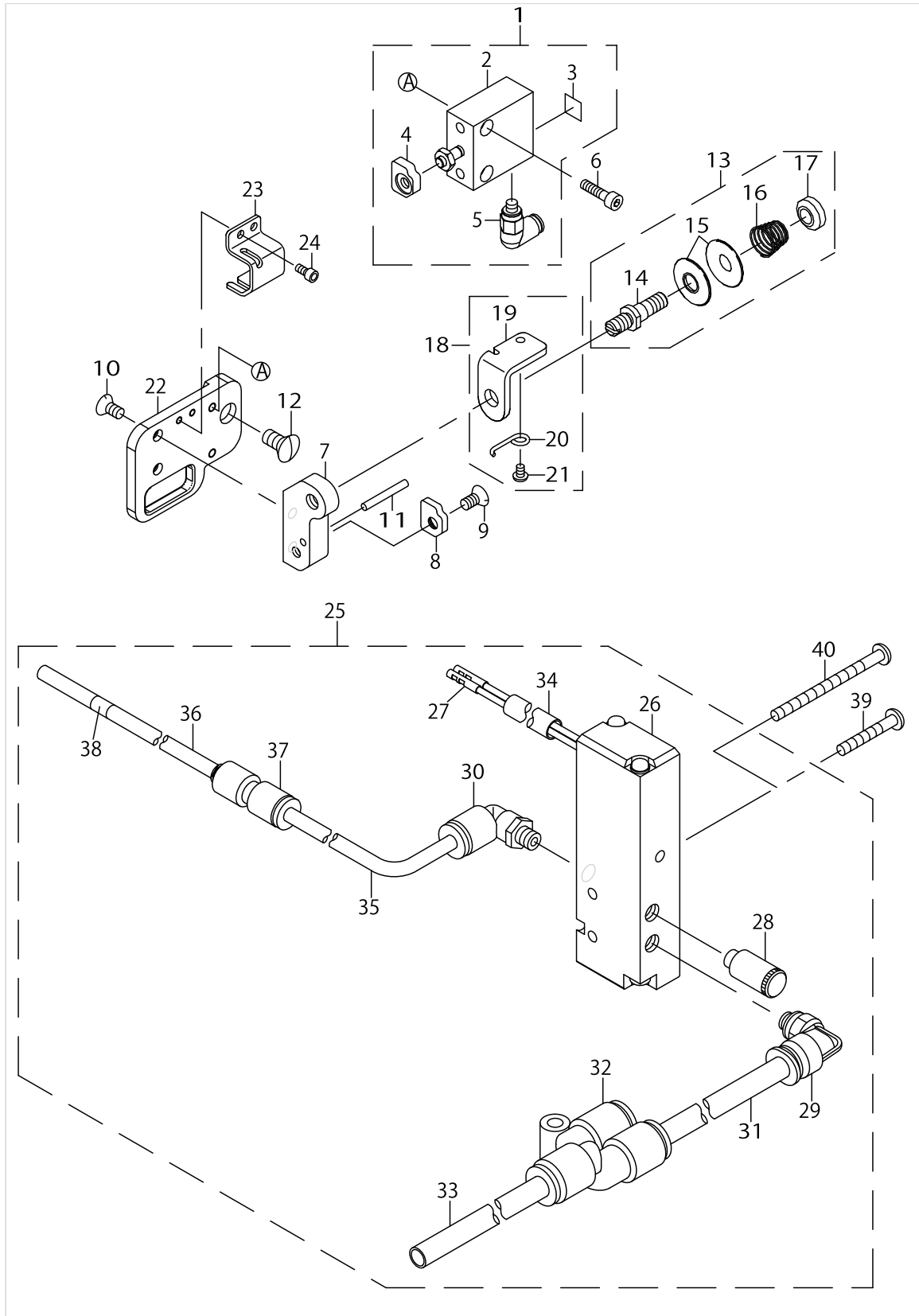
OPTIONAL PARTS (SUSPENSION SQUARE) COMPONENTS



OPTIONAL PARTS (SUSPENSION SQUARE) COMPONENTS

No.	Supply Code	Parts No.	Replacement	Parts name	Remarks	Choice	Step	Level	Cons	Qty	Rep. QTY
1		MAH152010A0		RULER						1	
2		WP0621016SD		WASHER 6.2X13X1						2	
3		WS0610002KN		SPRING WASHER 6.1X12.2X1.5						2	
4		SS7151610SP		SCREW15/64-28L=16						2	

OPTIONAL PARTS (THREAD CLAMP DEVICE) COMPONENTS



OPTIONAL PARTS (THREAD CLAMP DEVICE) COMPONENTS

No.	Supply Code	Parts No.	Replacement	Parts name	Remarks	Choice	Step	Level	Cons	Qty	Rep. QTY
1		40098856		THREAD_CLAMP_CYLINDER.ASM.						1	
2		PA0800401A0		AIR CYLINDER				*		1	
3		HX00295000E		WIRE MARK (6)				*		1	
4		40058067		THREAD_PRESSER				*		1	
5		PJ304020302		ELBOW				*		1	
6		SM6851002TP		SCREW M2.5 L=10						2	
7		40058069		THREAD HOLDER_BASE						1	
8		40058068		THREAD HOLDER						1	
9		SM1030601SC		SCREW M3 L=6						1	
10		SM1030601SC		SCREW M3 L=6						2	
11		22683403		NEEDLE BAR CONNECTION PIN						1	
12		SS2090840SP		SCREW						1	
13		40062426		THREAD_TENSION.ASM.						1	
14		40062427		TENSION_POST				*		1	
15		12939708		TENSION DISC				*		2	
16		12939807		TENSION SPRING				*		1	
17		12939906		TENSION NUT				*		1	
18		40062438		THREAD_GUIDE.ASM.						1	
19		40062428		THREAD_GUIDE				*		1	
20		40062429		THREAD_GUIDE_SPRING				*		1	
21		SS5060310SP		SCREW 3/32-56 L=2.8				*		1	
22		40162887		THREAD CLAMP BASE						1	
23		40058065		THREAD_CATCHER_COVER						1	
24		SM6020452TP		HEXAGONAL HOLE BOLT						2	
25		40169758		SOLENOID VALVE.ASM.						1	
26		PV130523000		MAGNETIC VALVE				*		1	
27		HK03464000A		TERMINAL FEMALE				*		2	
28		PX010501000		MUFFLER M5				*		1	
29		PJ304060504		QUICK JOINT (MINI-TYPE)				*		1	
30		PJ304040504		ELBOW UNION				*		1	
31		BT0600401EB		TUBE				*		1	
32		PJ308060003		Y UNION				*		1	
33		BT0600401EB		TUBE				*		1	
34		D2428141E00		CORD TUBE 5X0.4				*		1	
35		BT0400251EB		URETHANE HOSE BLACK				*		1	
36		BT0200121EB		URETHANE TUBE BLACK 2X1.2				*		1	
37		PJ303040006		JOINT				*		1	
38		HX00295000E		WIRE MARK (6)				*		1	
39		SM4032001SC		SCREW M3X0.5 L=20						2	
40		SM4034001SN		SCREW M3 L=40						2	

LIST FOR INFORMATION OF CHANGE

As to the place changed, refer to the corresponding Rev.No.
 When previous parts(Obsoleted part)and new parts(Added parts)are
 not interchangeable with each other:
 In this case,even obsoleted parts(D.)can be ordered with the
 obsoleted part number,so select the parts with changed dates and
 place your orders.

変更箇所は、該当Rev.No.版をご参照ください。
 部品の互換性がない変更の場合は、削除された品番でも、ご注文できます。

40170678
 No.1688-01 Rev.No.

*A:Added parts追加部品/D:Obsoleted parts削除部品/E:Erratum訂正

* Rev. No.	Page 頁	Ref. No.	Parts No. 品番	* Rev. No.	Page 頁	Ref. No.	Parts No. 品番
D 00	2	31	SS-2090710-TP	A 01	2	31	SM-1040750-TP
D 00	12	23	213-37506				
D 00	12	24	213-37704				
D 00	12	25	SS-7110910-TP				
D 00	12	29	213-38306				
D 00	12	30	SS-7090610-SP				
D 00	12	32	SS-7090910-TP				
D 00	16	1	SM-1030601-SA	A 01	16	1	SM-1030801-SC
D 00	16	3	401-47926	A 01	16	3	401-76766
D 00	16	7	401-47929	A 01	16	7	401-76683
D 00	16	11	401-47932				
D 00	16	12	401-47933				
D 00	16	13	401-47934	A 01	16	13	401-76684
D 00	16	14	401-47935	A 01	16	14	401-76685
D 00	16	26	401-71140	A 01	16	26	401-62278
				A 01	18	1	400-39608
				A 01	18	25	400-23289
				A 01	18	26	262-26209
				A 01	18	27	SS-4120615-SP
				A 01	18	28	226-56003
				A 01	18	29	226-56102
				A 01	18	30	SS-7120760-SP
				A 01	18	31	229-52501
				A 01	18	32	SS-7111810-SP
				A 01	18	33	400-56366
				A 01	18	40	WP-0501016-SD
				A 01	18	41	SS-7110840-SP
D 00	20	10	401-66874	A 01	21	10	400-99618
				A 01	32	8	D1470-241-EAA

HOW TO MAKE USE OF THIS PARTS LIST

1.Explanation of codes

1)"*"mark.....means this part is changed from the previous parts book.

As to the details of the change, refer to the "List for information of change".

2)"#01".....refer to "Note" explanation at bottom of page.

2.Codes on the "Qty" column

- Each numeral indicates the number of parts required.
- "0.1" and "2.5" indicate the length (in meters) of the respective parts.

3.Parentheses mean that the corresponding part is a subpart that constructs an assembly part.

4.Dotted lines on the Figures indicate assembly parts.

5.As to the parts with marks of "☆"(consumable parts) and "◎"(optional parts)on the respective parts, it is recommended to prepare spares.

1 ."注記"欄の記号説明

1) "*"印.....前回のパーツブックに比較して今回変更された部品を意味します。

変更内容は、"変更情報リスト"を参照してください。

2) "#01".....ページ下の"注記"の説明を参照してください。

2.数量欄の数字は、個数を表し、0.1、2.5等の数値は、長さ（単位メートル）を表します。

3.数量欄の（ ）は、組部品を構成している子部品であることを意味します。

4.イラストページの-----枠は、組構成であることを意味します。

5.リストページの"☆"（消耗部品）、"◎"（オプション部品）の印がついた部品は、予備を準備しておくことをお奨めします。

NUMERICAL INDEX OF PARTS

PART NO	PAGE	REF NO.	PART NO	PAGE	REF NO.	PART NO	PAGE	REF NO.
10109700	22	30~38	10748101	46	11	21338801	10	20
10109809	22	30~38	10753002	46	26	21338900	10	22
10109908	22	21	10755205	46	15	21339007	10	28
10110906	22	30~38	10755254	46	14	21339056	10	27
10111003	22	30~38	10774305	16	10	21339304	10	25
10111102	22	30~38	11045101	34	15	21339601	16	25
10111201	22	30~38	11072402	34	16	21339700	16	27
10112407	22	22	11956802	34	12	21339809	16	12
10112506	22	30~38	12939708	64	15	21340005	14	58
10112605	22	30~38	12939807	64	16	21340302	14	53
10112704	22	30~38	12939906	64	17	21340401	12	1
10116804	28	52	13138201	34	8	21340500	12	2
10124204	34	13	14512503	36	17	21340708	42	10
10126803	44	48	17912106	2	24	21340906	12	37
10201200	4	53	21006002	60	5	21341151	12	41
10205201	18	20	21006408	60	3	21341508	16	22
10320109	34	3	21006507	60	1	21341607	16	19
10320208	34	6	21048707	14	51	21342407	60	4
10321107	34	24~26	21331301	2	4	21343207	4	56
10325157	56	8	21331608	2	18	21345103	42	29
10325306	56	4	21332002	4	55	21345202	42	31
10326205	56	5	21332200	2	46	21345301	46	27
10326304	56	9	21332606	6	30	21345350	46	23
10338309	54	11	21332705	6	1	21345509	46	34
10502300	36	21	21333000	6	2	21345608	44	52
10509701	12	22	21333109	6	18	21345707	42	2
10604809	6	6	21333604	24	56	21345756	42	1
10618304	36	8	21333901	8	49	21345806	42	3
10622009	2	29	21334800	22	2	21345905	42	4
10704807	36	19	21334800	50	14	21346002	42	18
10713501	16	29	21335708	22	7	21346101	42	24
10713600	14	50	21336300	20	60	21346200	42	25
10713758	14	49	21336508	6	21	21346309	42	6
10713808	14	57	21336557	6	20	21346358	42	5
10714202	16	24	21336607	20	49	21346408	42	8
10714608	16	6	21336656	20	48	21346507	42	7
10715100	16	14	21336706	20	53	21346606	42	27
10715308	16	20	21337209	20	38	21346705	46	33
10715704	16	16	21337308	18	33	21346804	46	28
10716504	16	1	21337605	18	35	21346903	46	32
10718203	16	23	21337803	16	9	21347000	42	14
10727204	46	25	21337803	18	27	21347109	12	13
10727303	46	24	21337902	18	32	21347208	42	16
10739209	46	36	21338504	10	3	21347406	10	30
10741106	34	14	21338603	10	18	21348206	34	24~26

NUMERICAL INDEX OF PARTS

PART NO	PAGE	REF NO.	PART NO	PAGE	REF NO.	PART NO	PAGE	REF NO.
21348503	30	15	21387709	6	33	22537658	36	2
21348602	30	11	21387808	6	38	22538151	36	4
21349105	30	5	21387907	6	29	22538706	36	32
21349600	2	38	21388004	20	66	22602601	2	17
21350152	52	10	21388400	10	16	22603112	4	51
21351002	46	19	21388509	38	6	22604300	6	25
21351101	46	18	21388608	30	38	22606206	8	67
21351150	46	17	21392907	30	24	22609408	18	12
21351200	46	20	21398300	30	17	22611701	22	41
21351457	46	1	21398409	30	4	22611909	22	42
21353008	8	55	21398508	30	13	22617906	34	9
21353701	26	44	21402300	6	27	22618201	34	7
21353750	26	43	21405204	10	2	22619100	4	52
21354006	28	51	21406103	12	43	22656003	30	28
21354105	26	30	21406509	12	28	22656102	30	29
21354204	26	28	21406608	12	44	22683403	64	11
21354600	26	36	21407200	18	24	22814909	10	11
21354709	26	34	21407309	18	31	22901805	2	45
21355102	26	39	21407408	18	26	22904106	12	7
21355607	2	27	21413158	50	1	22904106	18	18
21355656	2	23	21413257	50	15	22904155	12	6
21355706	36	24	21427307	24	54	22904155	18	17
21355755	36	23	21430400	20	67	22907604	12	38
21355904	2	6	21437108	4	49	22911804	20	44
21356001	36	6	21437207	58	35	22912000	20	46
21356308	38	11	21437306	2	11	22912109	20	47
21356407	38	12	21437306	58	37	22933006	50	2
21356506	38	3	21438106	58	28	22933303	50	9
21356704	38	9	21438205	58	38	22945505	36	27
21356803	38	7	21438403	58	4	22945703	36	30
21357959	36	3	21438502	58	6	22951552	2	12
21357967	36	1	21438601	58	9	22952501	30	31
21358205	36	9	21438700	58	11	23006406	34	24~26
21363106	32	3	21441050	34	2	23024409	24	53
21364104	18	10	21441100	34	17	23630007	42	58
21378302	12	5	21441209	32	7	23630007	44	58
21378302	18	13	21441308	32	8	23636202	36	5
21378401	22	14	21441407	32	1	26225201	12	29
21378708	36	29	21442603	58	17	26226209	30	26
21378906	20	54	21442702	58	18	26910059	48	2
21379003	46	6	21442900	58	20	40009103	20	50
21387402	10	7	21443007	58	21	40012496	26	24
21387402	20	69	21443106	58	22	40012497	26	25
21387501	6	31	21443205	58	23	40012503	22	39
21387600	6	34	21443809	58	24	40016148	8	66

NUMERICAL INDEX OF PARTS

PART NO	PAGE	REF NO.	PART NO	PAGE	REF NO.	PART NO	PAGE	REF NO.
40016798	2	1	40058067	64	4	40135955	26	5
40018339	12	16	40058068	64	8	40143083	6	26
40018340	12	33	40058069	64	7	40143787	34	1
40018341	12	23	40062388	32	5	40147936	26	13~15
40019926	20	36	40062426	64	13	40147937	26	16
40021883	26	18	40062427	64	14	40147938	26	10
40022589	22	25	40062428	64	19	40148033	24	60
40022590	22	26	40062429	64	20	40152631	2	3
40023289	30	25	40062438	64	18	40162275	22	1
40024855	6	4	40064409	42	33	40162276	52	1
40025035	58	30	40075553	14	47	40162277	52	2
40025036	58	29	40079298	50	12	40162278	26	26
40025299	46	5	40079905	24	66	40162279	22	24
40025300	46	8	40081969	18	29	40162280	4	54
40027746	10	26	40081970	18	23	40162281	2	30
40029570	22	18	40095615	24	59	40162282	10	32
40032804	42	38	40095617	24	61	40162285	26	11
40033026	12	12	40095619	24	63	40162286	26	29
40033027	12	11	40095620	24	64	40162860	24	49
40033029	12	19	40096354	48	1	40162887	64	22
40033030	12	24	40098856	64	1	40165973	32	11
40033031	12	35	40099618	36	10	40165974	24	57
40033032	12	34	40101368	50	16	40165975	24	58
40038692	6	23	40101742	50	6	40165976	24	62
40038700	8	50	40102061	58	19	40165977	52	3
40038702	8	51	40102062	58	16	40165978	52	4
40038711	18	30	40102736	50	18	40165979	8	58
40038712	20	42	40103000	40	23	40166316	40	2
40038717	40	27	40103001	40	22	40166317	40	1
40038722	40	14	40104355	18	1	40167402	24	67
40038723	40	16	40104356	18	2	40169758	64	25
40038908	40	6	40104357	18	3	40169762	26	20
40039326	12	4	40104367	6	44	40170676	26	21
40039608	30	1	40104368	26	46	40170679	8	57
40041243	52	9	40104368	28	46	40172093	4	50
40041246	52	5	40104369	28	48	40176683	26	7
40041734	6	3	40107618	40	17	40176684	26	13~15
40042141	22	16	40107949	16	4	40176685	26	13~15
40042611	24	48·68	40108541	20	57	40176766	26	3
40049663	20	71	40108542	16	15	A407855000A	42	20
40051503	44	50	40113092	36	28	B1111563000	2	34
40056364	30	37	40113224	6	36	B1132521000	2	25
40056365	30	34	40119279	26	45	B1148555000	36	11
40056366	30	33	40125273	2	20	B1210051000	6	11
40058065	64	23	40134967	26	6	B1214019000	6	32

NUMERICAL INDEX OF PARTS

PART NO	PAGE	REF NO.	PART NO	PAGE	REF NO.	PART NO	PAGE	REF NO.
B1214038000	42	40	B15302450AD	54	13	CM300200001	38	13
B1308055000	6	35	B15302450AF	54	14	CM301300001	2	9
B1310055000	6	37	B15302450AH	54	15	CM600100201	50	19
B1313055000	8	47	B15302450AK	54	16	CQ202000000	6	19
B1314055000	6	39	B15312450AC	54	17	CQ202000000	10	4
B1408051000	6	13	B15312450AD	54	18	CQ202000000	18	51
B1410771000	10	24	B15312450AF	54	19	CQ202000000	20	51
B1411053000	10	8	B15312450AH	54	20	CQ202000000	22	9
B1412051000	10	10	B1604012000A	18	7	CQ202000000	42	15
B1412051000	42	19	B1610512000	20	39	CQ252000000	14	55
B1414232000	10	23	B1611055000	20	61	CQ252000000	44	55
B1414555000	12	21	B1639051000	6	46	CQ3000000F0	12	15
B1420563000	10	1	B18035150A0	22	44	CQ303000000	6	9
B1437051000	10	6	B1816051000	24	50	CQ505000000	6	12
B1462053000	12	42	B1817051000	24	48-68	CS0700811SH	28	54
B14670530A0	12	25	B1820563000	22	13	CS070081BSH	28	53
B1467563000	10	14	B1821051000	22	3	CS1201010SH	20	62
B1468053000	12	26	B1822563000	22	6	CS1201011SH	20	63
B14700530A0	52	6	B1824563000	22	10	D1470241EA0	52	7
B1470245000	56	10	B1834512000A	44	62	D1470241EAA	52	8
B147424500C	54	6	B1906051000	6	5	D2112555B00	2	10
B147424500D	54	7	B1907526000	6	8	D2427555B00B	28	47
B147424500F	54	8	B3025141H00A	18	15	D2428141E00	64	34
B147424500H	54	9	B3120125000	34	11	D2430555B00	28	49
B147424500K	54	10	B3128051000	34	4	D3162555B00	34	21
B147624500A	56	3	B3129053000	34	22	D3162555B00	36	25
B1478245000	54	2	B3129526000	34	10	D8232241E00	46	21
B147924500D	54	3	B31375270A0	34	5	EA9500B0000	12	14
B147924500F	54	4	B3138512000	2	32	EA9500B0000	42	9
B147924500H	54	5	B3416552000	16	2	EA9500B0100	2	13
B1501241H00	12	31	B3520586000	44	51	EA9500B0100	10	31
B1502246000	12	39	B3524552000	42	41	EA9500B0100	16	5
B1510155000	12	32	B3534155000	42	39	EA9500B0100	26	42
B15242450A0	56	11	B3538112000	42	21	EA9500B0100	30	35
B1525241HA0	52	11	B8112220000	46	7	EA9500B0100	42	59
B1525563SA0	54	26	B8206012000	50	10	EA9500B0100	44	59
B152652700G	16	17	B8209012000	50	11	EA9500B0100	50	17
B15272450AC	54	21	B8228125000	46	35	GAK29009000	40	18
B15272450AD	54	22	B9113012000	50	3	GAK29010000	40	26
B15272450AF	54	23	BT0200121EB	64	36	GAKA1503000	40	25
B15272450AH	54	24	BT0400251EB	64	35	GTS01037000	30	36
B15272450AK	54	25	BT0600401EB	40	29	HK034610120	26	41
B15292450AA	56	7	BT0600401EB	64	33	HK034610180	40	24
B152989000CA	36	7	BT0600402EA	44	49	HK03464000A	26	40
B15302450AC	54	12	CM300200001	2	44	HK03464000A	30	39

NUMERICAL INDEX OF PARTS

PART NO	PAGE	REF NO.	PART NO	PAGE	REF NO.	PART NO	PAGE	REF NO.
HK03464000A	40	28	NS6110530SP	60	2	SD0800402TP	20	72
HK03464000A	64	27	NS6150310SP	20	59	SD0800481SP	12	40
HK03464000B	32	6	NS6150430SP	20	73	SD0900701TP	18	21
HX00123000A	2	41	NS6680320SP	18	22	SD1000801SH	20	55
HX00123000A	6	16	PA0800401A0	64	2	SK3241601SC	46	13
HX00123000A	32	13	PA320100300	30	3	SK3385001SE	40	35
HX00123000A	42	36	PA320150200	30	2	SK3482500SC	46	16
HX002950000	30	22	PA320200100	58	2	SK3482501SE	40	21
HX002950000	40	30	PA400150100	38	1	SK3514000SC	58	36
HX00295000A	38	15	PF0552170A0	40	15	SL4030631SC	58	27
HX00295000A	40	33	PJ301065104	30	19	SM1030601SA	26	17
HX00295000B	38	16	PJ303040006	64	37	SM1030601SC	64	10
HX00295000B	40	34	PJ304020302	64	5	SM1030801SC	26	1
HX00295000C	40	32	PJ304040504	64	30	SM1040750TP	2	31
HX00295000C	58	15	PJ304060504	64	29	SM1050801SR	16	26
HX00295000D	30	23	PJ304065101	30	20	SM3031401SE	46	9
HX00295000D	40	31	PJ304065101	38	10	SM4032001SC	64	39
HX00295000E	64	38	PJ304065101	58	13	SM4034001SN	64	40
HX00354000N	58	25	PJ308060003	64	32	SM4050855SP	22	27
J1067000000	50	5	PS0600502KP	34	23	SM4061001SB	40	20
M13517B1200	10	13	PV130523000	64	26	SM5030655SP	42	37
M13517B1202	50	8	PX010501000	64	28	SM6020452TP	64	24
M40071100AA	8	60	PX015101000	30	21	SM6021000TP	46	29
M40071100AB	8	61	PX015101000	58	14	SM6040800SP	36	31
MAH152010A0	62	1	RC0560711KP	36	12	SM6040802TP	26	38
MAN10452000	56	2	RE0500000K0	6	45	SM6043552TN	30	10
MAQ09307000	56	1	RE0500000K0	16	11	SM6044002TP	58	3
MAQ093080A0	56	6	RE0500000K0	36	13	SM6051002TP	38	8
MAT80230T00	58	32	RE0500711KP	18	8	SM6051202TP	26	27
MAT80231T00	58	31	RE0800000K0	14	52	SM6051402TP	16	21
MDFRX2700C0	50	4	RE0900000K0	20	65	SM6052002TP	14	54
MTJVH00430A	50	13	RO044240100	22	17	SM6061002TP	30	8
MTSP00900B0	50	7	RO092270200	20	45	SM6061202TP	4	57
NM6030001SC	46	10	RO092270200	36	14	SM6061602TP	30	6
NM6030001SC	58	26	SB120000200	8	53	SM6061802TP	20	40
NM6040001SN	32	10	SD0380551SL	2	26	SM6062500SP	22	20
NM6060003SC	30	12	SD0470281SP	34	19	SM6082002TP	38	2
NM6080001SE	38	4	SD0600403TP	58	7	SM6850400SP	26	4
NM6080003SC	30	14	SD0600454TP	58	8	SM6851002TP	64	6
NM6080721SE	58	5	SD0640322TP	6	42	SM8030312TP	26	2
NM9050001SC	46	30	SD0640325SP	26	31	SM8050502TP	18	6
NS6110310SP	34	20	SD0640482SP	28	56	SM8050602TP	16	8
NS6110310SP	36	26	SD0720331SP	38	5	SM8050602TP	36	20
NS6110310SP	44	61	SD0800352SP	30	18	SM8050612TP	20	52
NS6110420SP	22	5	SD0800402TP	18	72	SM80506A2TP	22	15

NUMERICAL INDEX OF PARTS

PART NO	PAGE	REF NO.	PART NO	PAGE	REF NO.	PART NO	PAGE	REF NO.
SM8051002TP	22	8	SS6111620SP	44	60	SS7151610SP	62	4
SM8060602TP	6	28	SS6121610TP	18	16	SS7621040SP	2	7
SM8080802TP	10	21	SS6121860SP	20	43	SS8110510SP	28	55
SM8080812TP	6	15	SS6151040SP	26	37	SS8111010TP	6	43
SQ1110401MZ	42	53	SS6151040SP	38	14	SS8111010TP	14	56
SQ1110401MZ	44	53	SS6151220SP	58	33	SS8150710SP	16	3
SQ1150451MZ	44	54	SS6151440SP	46	2	SS8150710TP	8	64
SQ2050453MZ	22	28	SS6151780SP	12	27	SS8150710TP	12	9
SS1090520TP	26	9	SS6151812TP	28	57	SS8150710TP	24	52
SS2090710TP	2	28	SS6151920SP	12	30	SS8150822TP	6	59
SS2090840SP	64	12	SS6152440SP	10	29	SS8150822TP	8	59
SS2110920TP	2	37	SS6153040SP	22	23	SS8150822TP	18	28
SS3090610SP	42	17	SS6153040SP	46	22	SS8151150SP	22	55
SS4080610SP	34	18	SS6661110SP	6	24	SS8151150SP	24	55
SS4110515SP	2	35	SS7080510TP	10	12	SS8151150TP	10	5
SS4110615SP	42	22	SS7090520TP	2	33	SS8151150TP	18	14
SS4110815SP	2	48	SS7090910SP	10	9	SS8660530TP	8	48
SS4110815SP	4	48	SS7090910TP	20	70	SS8660530TP	22	46
SS4110815SP	6	17	SS7091410SP	36	15	SS8660530TP	24	46
SS4110815SP	42	42	SS7110510SP	12	20	SS8660610TP	12	8
SS4110815SP	58	12	SS7110510SP	42	11	SS8660610TP	18	64
SS4111215SP	2	2	SS7110570SP	32	4	SS8660610TP	20	64
SS4120615SP	30	27	SS7110710SP	8	56	SS8660612TP	6	40
SS4150915SP	4	58	SS7110710SP	20	68	SS8660612TP	12	3
SS4150915SP	42	32	SS7110830SP	10	17	SS8660612TP	26	12
SS5060310SP	64	21	SS7110830SP	16	13	SS8660670SP	24	47
SS5090610SP	2	21	SS7110830SP	42	28	SS8660810TP	6	22
SS5110740TP	46	4	SS7110840SP	30	41	SS8660810TP	14	48
SS6090520SP	26	8	SS7110840SP	46	3	SS8660810TP	24	51
SS6090520SP	36	16	SS7110840SP	58	1	SS8661030SP	8	52
SS6090620SP	36	22	SS7110910TP	10	15	SS9111510SP	26	32
SS6090620TP	26	19	SS7110910TP	12	36	SS9151440CP	18	4
SS6090810TP	22	12	SS7110910TP	20	41	TA0290301M0	22	29
SS6090910TP	12	45	SS7110910TP	32	2	TA0550604R0	4	47
SS6091022TP	10	19	SS7110910TP	34	27	TA0750704R0	2	8
SS6110480SP	42	35	SS7111120TP	16	28	TA0750704R0	8	65
SS6110520TP	20	56	SS7111410SP	18	11	TA0750704R0	12	10
SS6110630TP	16	18	SS7111410SP	58	34	TA0800704R0	46	31
SS6110710TP	26	35	SS7111810SP	30	32	TA1050504R0	2	59
SS6110810TP	36	18	SS7120760SP	8	54	TA1050504R0	4	59
SS6111010TP	42	23	SS7120760SP	30	30	TA1250504R0	2	39
SS6111140SP	2	43	SS7120760SP	42	26	WP0320501SC	46	12
SS6111210SP	8	63	SS7150740SP	14	46	WP0371016SD	22	11
SS6111610SP	20	37	SS7150910TP	2	19	WP0450801SD	8	62
SS6111610SP	58	10	SS7151210SP	30	16	WP0501016SD	26	33

NUMERICAL INDEX OF PARTS

PART NO	PAGE	REF NO.
WP0501016SD	30	40
WP0501046SC	12	18
WP0501046SC	32	12
WP0531000SD	26	23
WP0621016SD	18	5
WP0621016SD	62	2
WP0621046SP	22	19
WP0641601SD	30	9
WP0650876SD	20	58
WP0651056SD	28	59
WS0610002KN	62	3
WS0610002KP	28	58
WT0530002KS	2	16