

MODEL : MF-7900D-H25

List No : 1671-00

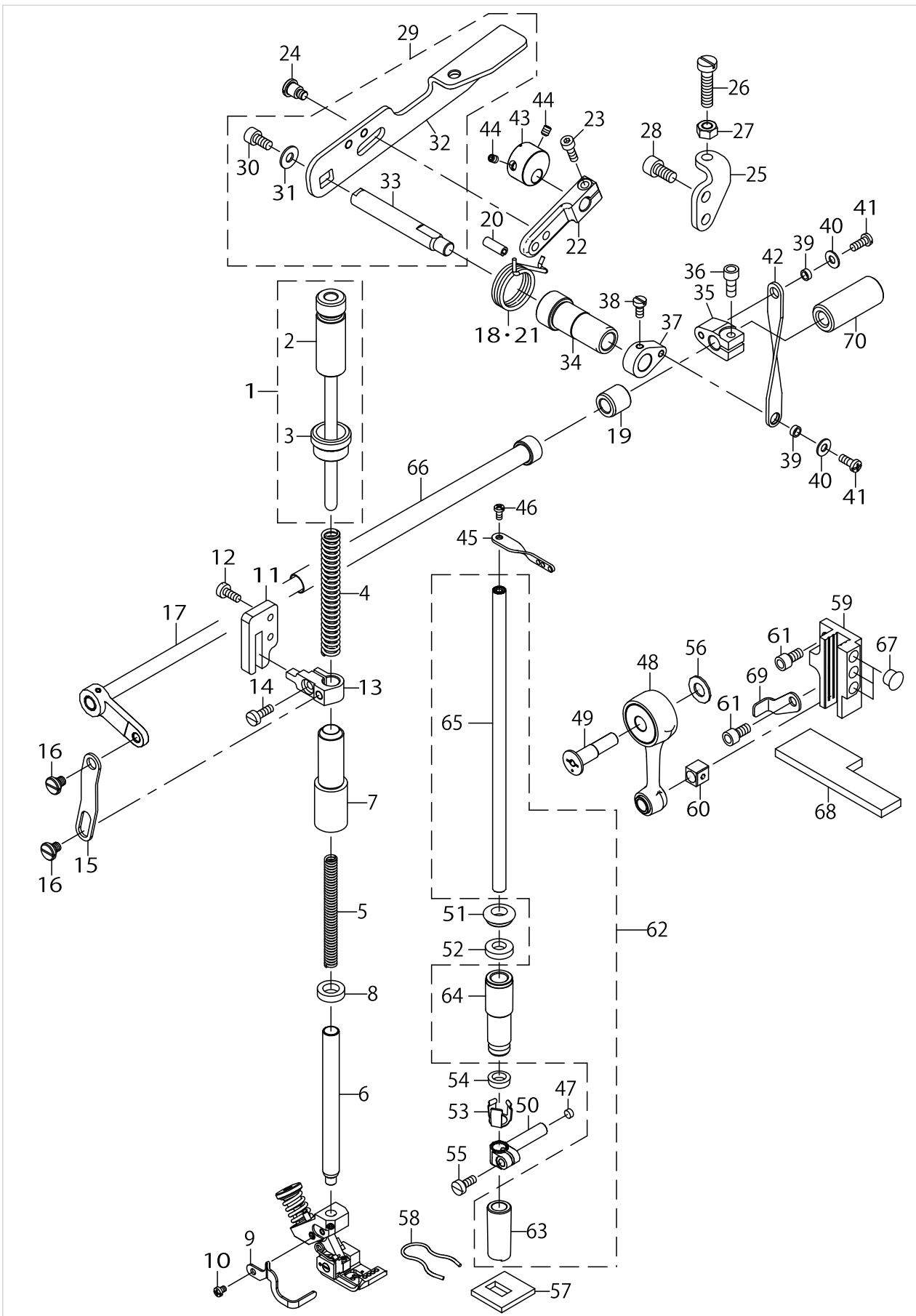
PARTS LIST

Published:05/12/2017

CONTENTS

NEEDLE BAR & PRESSER COMPONENTS.....	1
SPREADER COMPONENTS.....	5
GAUGE COMPONENTS.....	7
GAUGE COMPONENTS (FOR H25/UT59).....	11
HOW TO MAKE USE OF THIS PARTS LIST	15

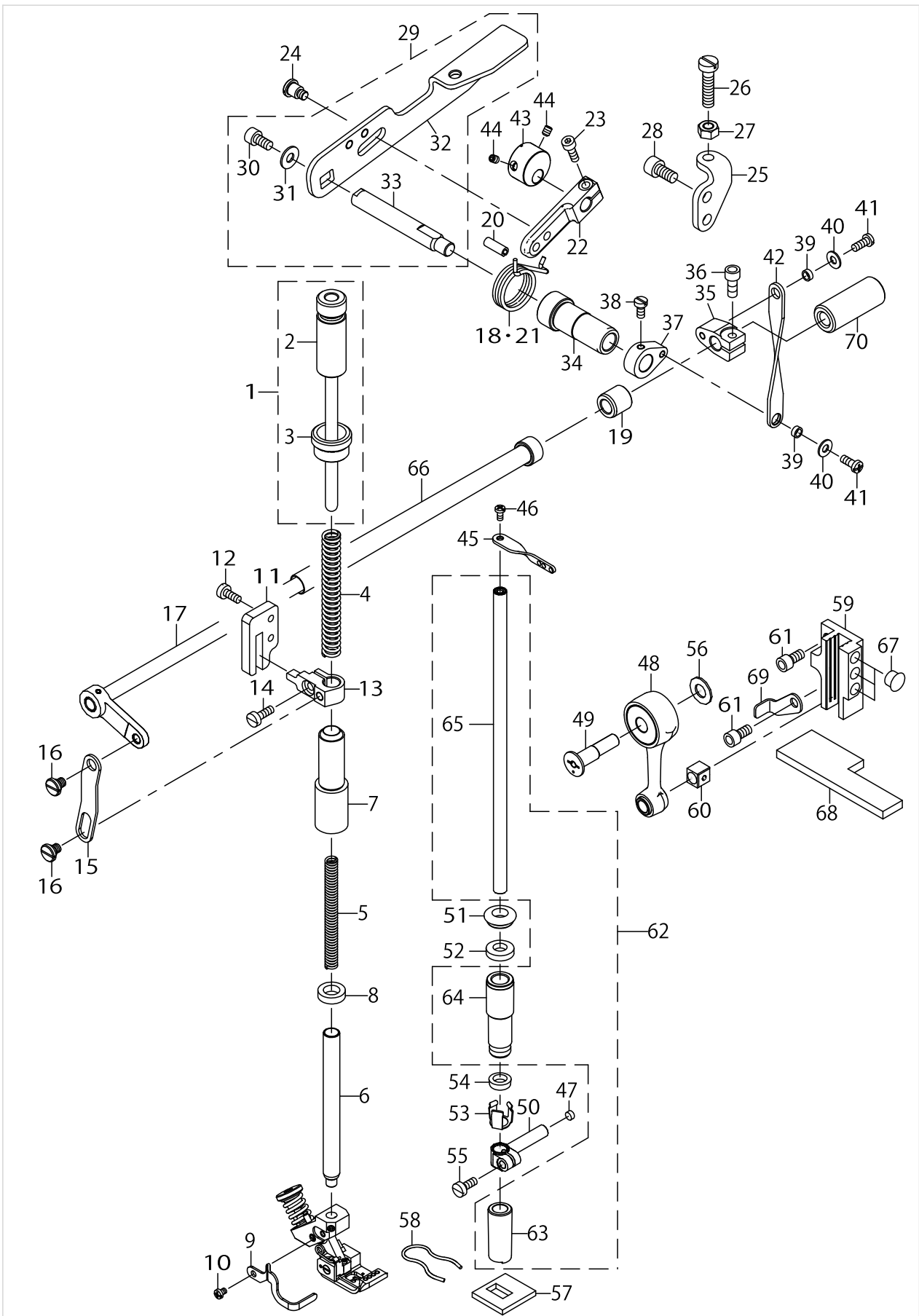
NEEDLE BAR & PRESSER COMPONENTS



NEEDLE BAR & PRESSER COMPONENTS

No.	Supply Code	Parts No.	Replacement	Parts name	Remarks	Choice	Step	Level	Cons	Qty	Rep. QTY
1		40070574		ADJ_SCREW_P_B_NUT_ASSY						1	
2		40070573		ADJ_SCREW_P_B_ASSY				*		1	
3	R	13313101	13313068	LOCKING NUT				*		1	1.00
4		13313309		SPRING PRESSER BAR A						1	
5		40158697		SPRING_PRESSER_BAR_B						1	
6		40158695		PRESSER_BAR						1	
7		40156616		BUSHING_PRESSER_BAR						1	
8		13315908		OIL SEAL						1	
9		40158697		FINGER_GUARD						1	
10		SM4030455SP		SCREW						1	
11		13313804		GUIDE PLATE						1	
12		SM6041000SP		SCREW M4 L=10						2	
13		70001485		PRESSER_BAR_BRACKET						1	
14		SM6041200SP		SCREW M4 L=12						1	
15		13314109		LINK						1	
16		SD0700206TP		SHOULDER SCREW						2	
17		40078307		ASSY_LIFTER_SHAFT_DRY						1	
18		13315205		SPRING LIFTER LEVER						1	
19		70001486		BUSHING_LIFTER_FRONT						1	
20		PS0500142KP		SPRING PIN						1	
21		70001498		SPRING_LIFTER_LEVER						1	
22		70001494		TENSION_RELEASE_LEVER						1	
23		SM6041202TP		SCREW M4X0.7 L=12						1	
24		SD0700586TP		SHOULDER SCREW						1	
25		70001495		LIFTER_LEVER_STOPPER						1	
26		SM6062550TP		SCREW M6 L=25						1	
27		NM6060001CP		NUT M6						1	
28		SM6061202TP		SCREW M6 L=12						2	
29		70001487		LIFTER_LEVER_ASSY						1	
30		SM6051002TP		SCREW M5X0.8 L=10				*		1	
31		WP0551016SH		WASHER 5.5X13X1				*		1	
32		70001488		LIFTER_LEVER				*		1	
33		70001489		LIFTER_LEVER_SHAFT				*		1	
34		70001490		BUSHING_LIFTER_LEVER						1	
35		70001478		LIFTER_SHAFT_LEVER						1	
36		SM6051202TP		SCREW M5X0.8 L=12						1	
37		70001477		LIFTER_LEVER_COLLAR						1	
38		SM6040800SP		SCREW						1	
39		70001491		SPACER						2	
40		WP0450826SC		WASHER 4.5X10X0.8						2	
41		SM4041055SP		SCREW						2	
42		70001492		LIFTER_LEVER_LINK						1	
43		70001493		MINUTES_LIFTING_COLLAR						1	
44		SM8040512TP		SCREW						2	
45		13326806		NEEDLE BAR EYELET						1	
46		SM4030855SN		SCREW M3 L=8.0						1	

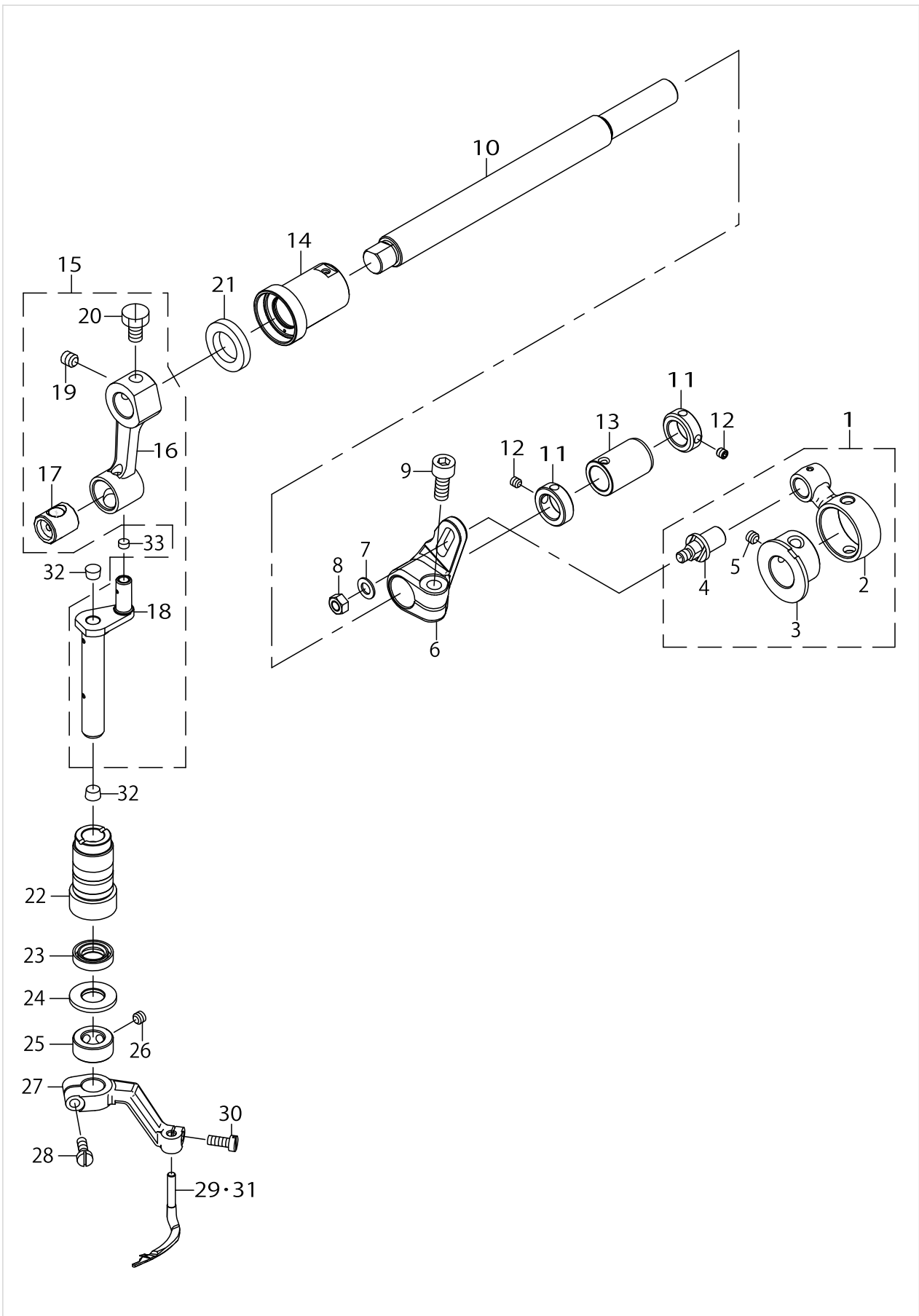
NEEDLE BAR & PRESSER COMPONENTS



NEEDLE BAR & PRESSER COMPONENTS

No.	Supply Code	Parts No.	Replacement	Parts name	Remarks	Choice	Step	Level	Cons	Qty	Rep. QTY
47		40078293		PLUG						1	
48		70001465		ASSY_NEEDLE_CRANK_ROD						1	
49		70001462		ECCENTRIC_PIN_DRY						1	
50		40078292		NEEDLE_BAR_CLAMP						1	
51		40078305		BUSHING_NB_U_PRESSER_A						1	
52		40078302		BUSHING_NB_U_FELT_A						1	
53		40078306		BUSHING_NB_U_PRESSER_B						1	
54		40078303		BUSHING_NB_U_FELT_B						1	
55		SM6041000SP		SCREW M4 L=10						1	
56		40078291		WASHER						1	
57		40078301		BUSHING_NB_L_FELT						1	
58		40078304		BUSHING_NB_L_PRESSER						1	
59		70001463		NEEDLE_BAR_GUIDE						1	
60		40078295		SLIDE_BLOCK						1	
61		SM6051202TP		SCREW M5X0.8 L=12						3	
62		40078317		ASSY_BUSHING_NB_DRY						1	
63		40078299		BUSHING_NB_LOWER				*		1	
64		40078300		BUSHING_NB_UPPER				*		1	
65	R	40078296	40078317	NEEDLE BAR ASSY				*		1	1.00
66		40078320		PIPE_ASSY						1	
67		TA0850604R0		RUBBER PLUG						4	
68		40087083		FELT						1	
69		40087101		FELT PRESSER						1	
70		70001500		BUSHING_LIFTER_REAR						1	

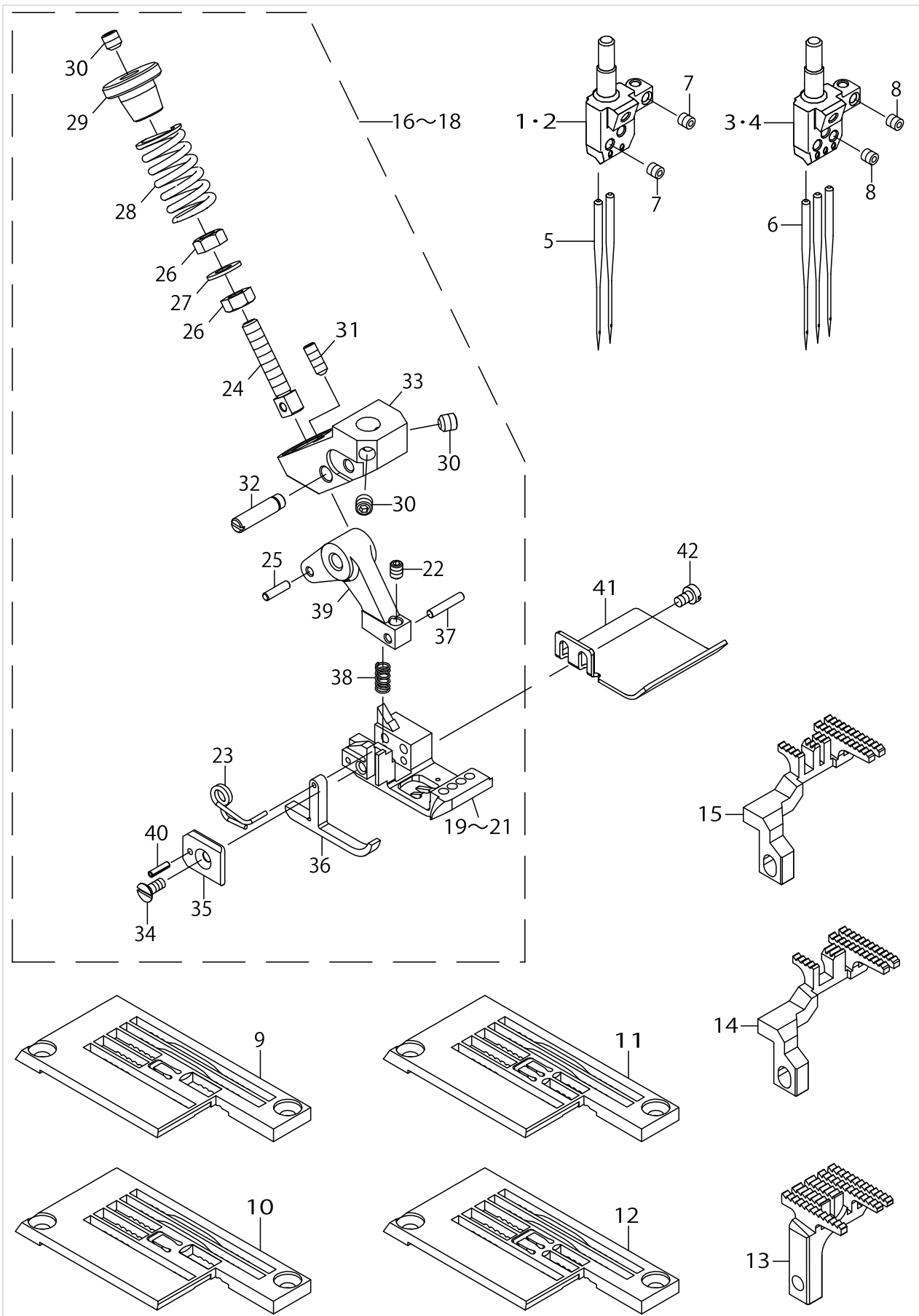
SPREADER COMPONENTS



SPREADER COMPONENTS

No.	Supply Code	Parts No.	Replacement	Parts name	Remarks	Choice	Step	Level	Cons	Qty	Rep. QTY
1		40078318		ASSY_UPPPER_LPR_MECH						1	
2		40078319		CONNROD_FOR_UPPER_LPR				*		1	
3		13328000		UPPER LOOPER ECCENTRIC				*		1	
4		13328208		STUD				*		1	
5		SM8050412TP		SCREW M5 L=4				*		2	
6		70001555		DRIVING_ARM						1	
7		WP0550800SP		WASHER 5.5X10X0.8						1	
8		NM6050001SC		NUT M5X0.8 TYPE1						1	
9		SM6061402TP		SCREW M6 L=14						1	
10		70001561		UPPER_LOOPER_SHAFT_DRY						1	
11		13399209		COLLAR						2	
12		SM8040412TP		SET SCREW M4 L=4						4	
13		13329008		BUSHING REAR						1	
14		70001562		BUSHING_FRONT_DRY						1	
15		40158702		ASSY_UPPER_LPR_MECH_2						1	
16		40078312		CRANK_ROD				*		1	
17		40078313		UPPER_LOOPER_ROCKER				*		1	
18		40158703		U.L_SHAFT_VERTICAL				*		1	
19		SM8060612TP		SCREW M6 L=6				*		1	
20		SM9061050TP		SCREW M6 L=10				*		1	
21		40004606		OIL SEAL						1	
22		40158701		BUSHING VERTICAL						1	
23		13338900		OIL SEAL						1	
24		WP1022016SH		WASHER						1	
25		CS1000881TP		THRUST COLLAR						1	
26		SM8050412TP		SCREW M5 L=4						2	
27		40158704		UPPER LOOPER HOLDER						1	
28		SM6041200SP		SCREW M4 L=12						1	
29	R	70001556	70004223	UPPER_LOOPER	EXCEPT T- YPE TURK- EY (UT37A,UT57A)					1	1.00
30		SM6041000SP		SCREW M4 L=10						1	
31	R	70001563	70004224	UPPER_LOOPER	TYPE TUR- KEY (UT37A,UT57A)					1	1.00
32		TA0600401R0		PLUG						1	
33		40078293		PLUG						1	

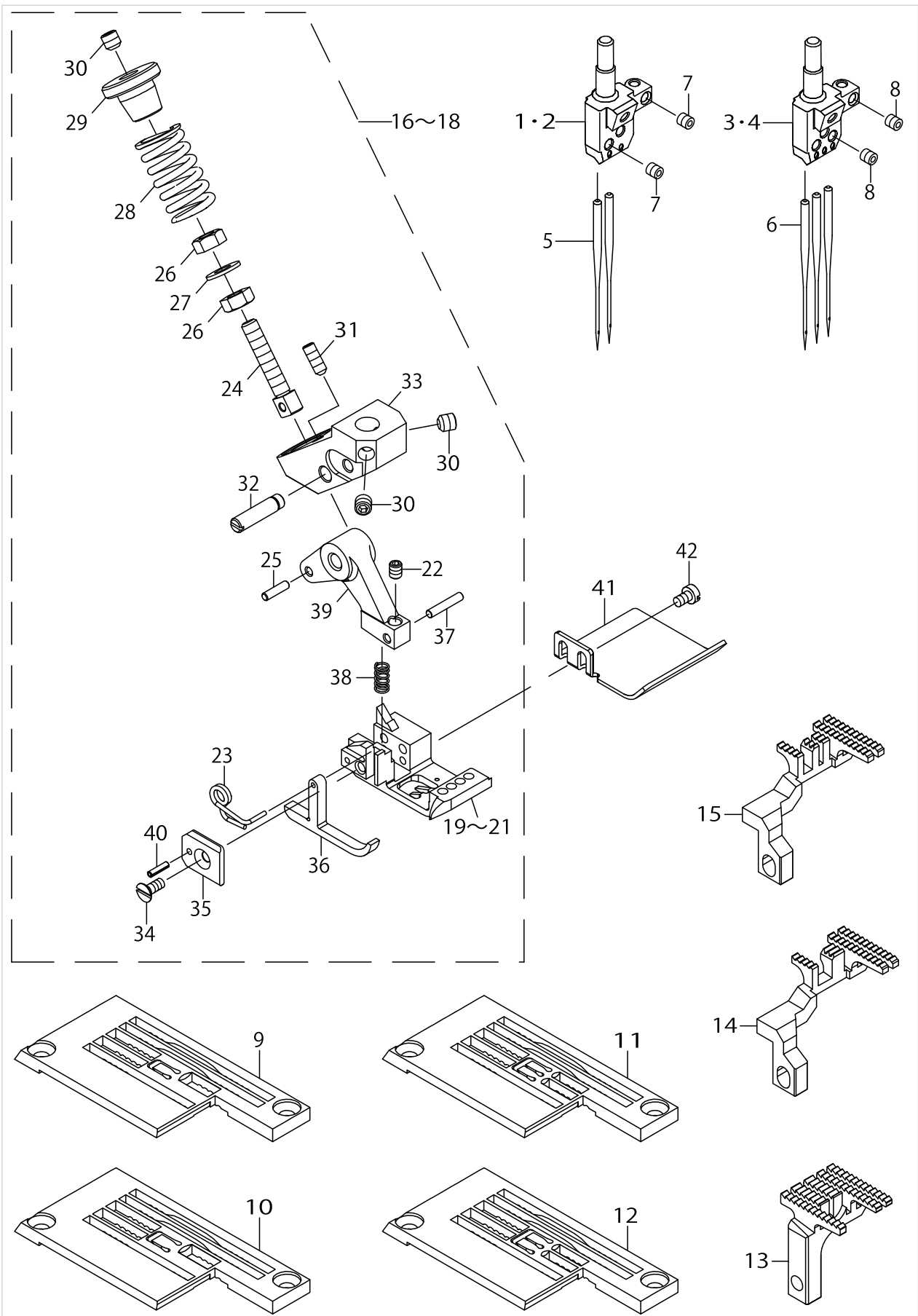
GAUGE COMPONENTS



GAUGE COMPONENTS

No.	Supply Code	Parts No.	Replacement	Parts name	Remarks	Choice	Step	Level	Cons	Qty	Rep. QTY
1		13350004		NEEDLE_HEAD_32	FOR MF-7-922D-H25-E32					1	
2		13350103		NEEDLE_HEAD_40	FOR MF-7-922D-H25-E40					1	
3		13350301		NEEDLE_HEAD_56	FOR MF-7-923D-H25-E56					1	
4		13350400		NEEDLE_HEAD_64	FOR MF-7-923D-H25-E64					1	
5		MUY128S1000		NEEDLE	FOR MF-7-922D-H25-E32, MF-7-922D-H25-E40				☆	2	
6		MUY128S1000		NEEDLE	FOR MF-7-923D-H25-E56, MF-7-923D-H25-E64				☆	3	
7		SM8030312TP		SCREW M3 L=3	FOR MF-7-922D-H25-E32, MF-7-922D-H25-E40					3	
8		SM8030312TP		SCREW M3 L=3	FOR MF-7-923D-H25-E56, MF-7-923D-H25-E64					4	
9		40154171		THROAT_PLATE	FOR MF-7-922D-H25-E32					1	
10		40154172		THROAT_PLATE	FOR MF-7-922D-H25-E40					1	
11		40154173		THROAT_PLATE	FOR MF-7-923D-H25-E56					1	
12		40154174		THROAT_PLATE	FOR MF-7-923D-H25-E64					1	
13		40154175		MAIN_FEED_DOG						1	
14		40154177		DIFF_FEED_DOG	FOR MF-7-922D-H25-E32, MF-7-922D-H25-E40					1	
15		40154178		DIFF_FEED_DOG	FOR MF-7-923D-H25-E56, MF-7-923D-H25-E64					1	
16		40158688		PRESSER_FOOT_ASSY	FOR MF-7-922D-H25-E32					1	
17		40158686		PRESSER_FOOT_ASSY	FOR MF-7-922D-H25-E40					1	
18		40158683		PRESSER_FOOT_ASSY	FOR MF-7-923D-H25-E56, MF-7-923D-H25-E64					1	
19		40158700		PRESSER_FOOT_BUTTON	FOR MF-7-922D-H25-E32				*	1	
20		40158699		PRESSER_FOOT_BUTTON	FOR MF-7-922D-H25-E40				*	1	
21		40158698		PRESSER_FOOT_BUTTON	FOR MF-7-923D-H25-E56, MF-7-923D-H25-E64				*	1	
22		SM8030412TP		SCREW					*	1	
23		40070229		SPRING_L					*	1	
24		40158672		ADJUST_SCREW¥n					*	1	
25		40158673		PIN¥n					*	1	
26		NM6040001SP		NUT M4X0.7					*	2	
27		40158671		WASHER¥n					*	1	
28		40158670		PRESSER_FOOT_SPRING¥n					*	1	
29		40158669		ADJUST_NUT¥n					*	1	

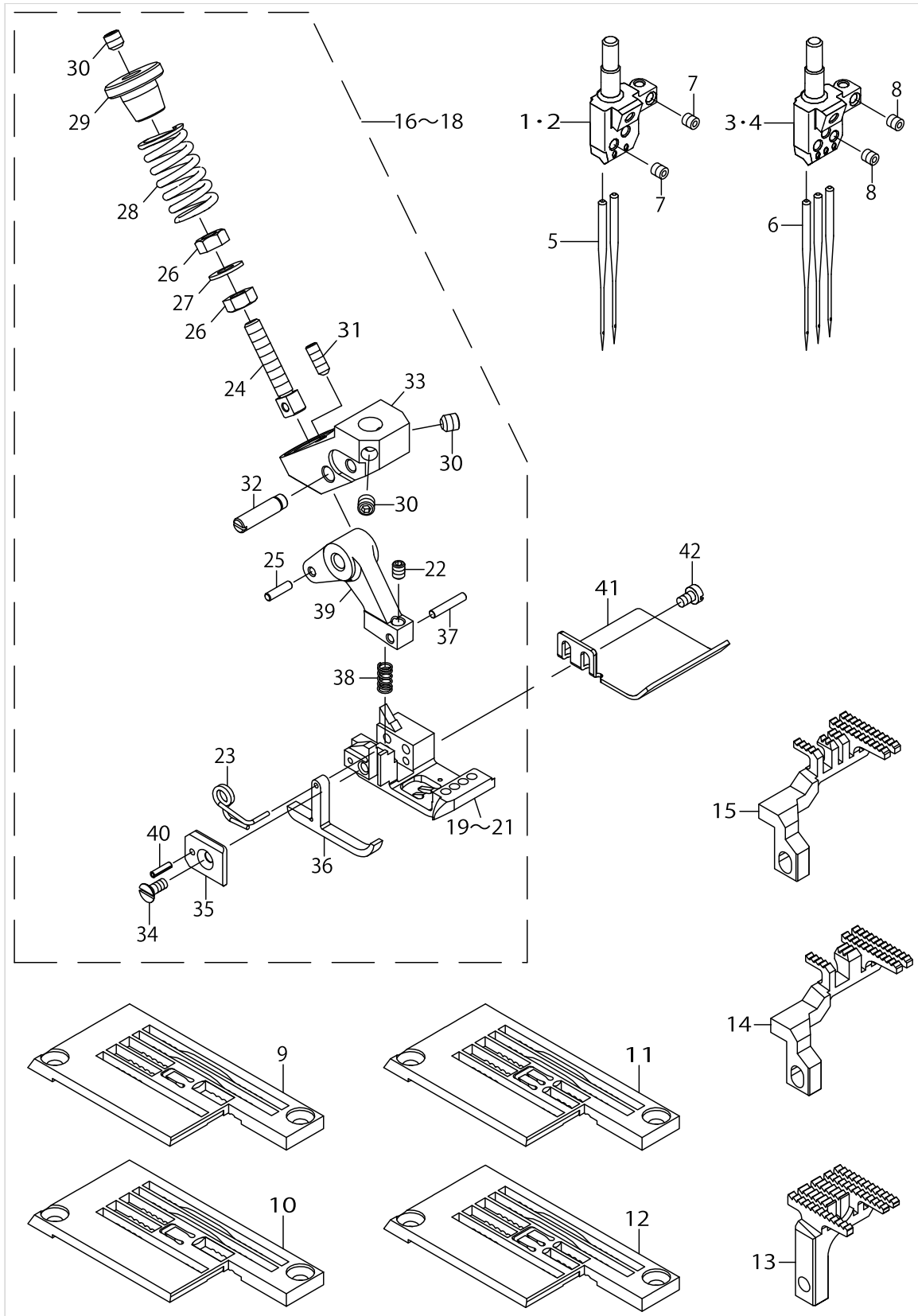
GAUGE COMPONENTS



GAUGE COMPONENTS

No.	Supply Code	Parts No.	Replacement	Parts name	Remarks	Choice	Step	Level	Cons	Qty	Rep. QTY
30		SM8040412TP		SET SCREW M4 L=4				*		3	
31		SM8030802TP		SCREW M3X0.5 L=8				*		1	
32		40158668		PIN_SCREW¥n				*		1	
33		40158667		SLIDING_FOOT_BASE¥n				*		1	
34		SM1850600SP		SCREW				*		1	
35		40070227		GUIDE_PLATE				*		1	
36		40070226		P_F_YIELDING_SECTION				*		1	
37		13375209		PIVOT_PIN				*		1	
38		13377106		SPRING				*		1	
39		40158685		PRESSER_FOOT_HINGE¥n				*		1	
40		PS0150065KP		SPRING PIN 1.5X6				*		1	
41		40038064		FABRIC GUIDE	ACCESSO- RY PARTS					1	
42		SM6850400SP		SCREW M2.5 L=4	ACCESSO- RY PARTS					2	

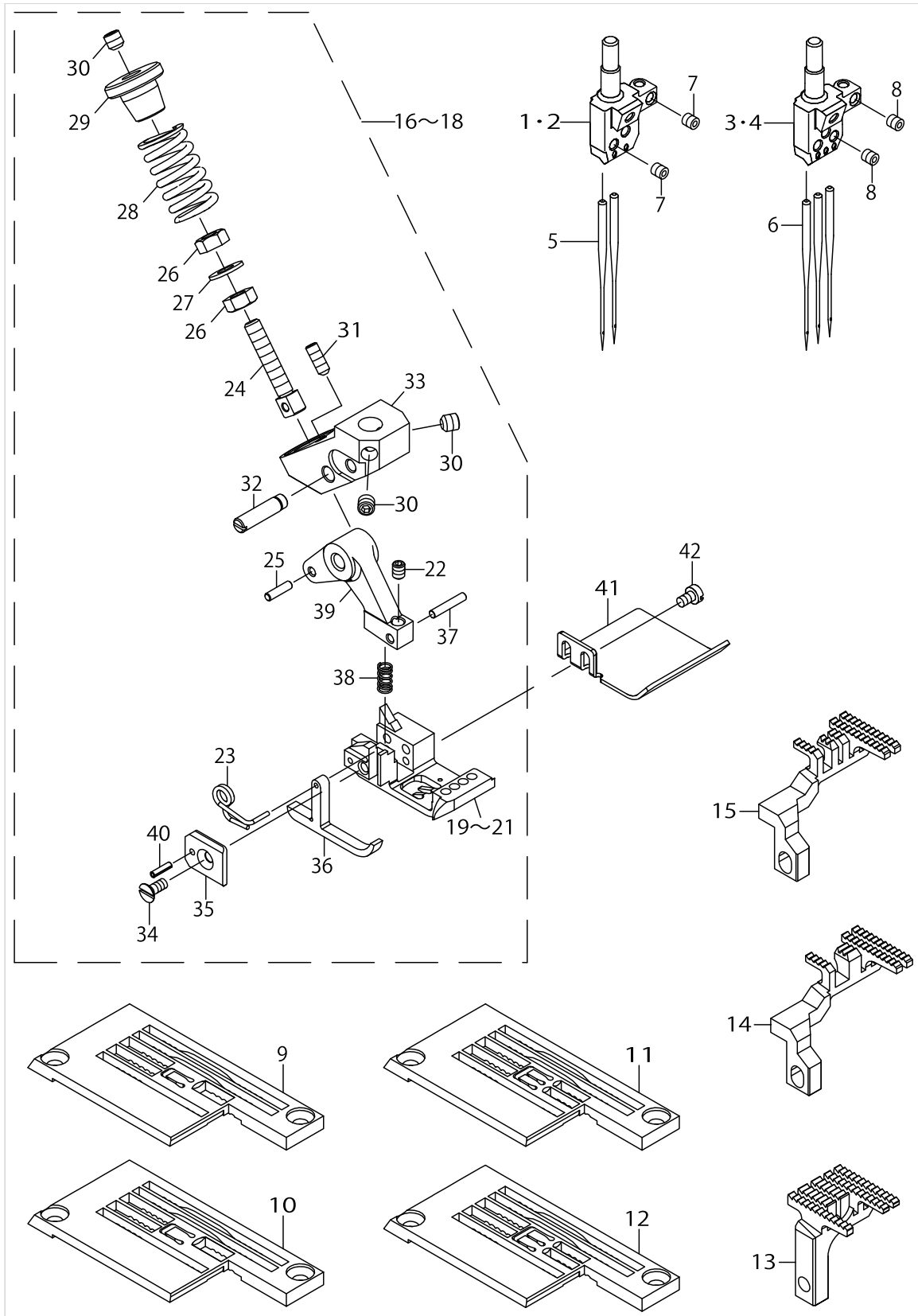
GAUGE COMPONENTS (FOR H25/UT59)



GAUGE COMPONENTS (FOR H25/UT59)

No.	Supply Code	Parts No.	Replacement	Parts name	Remarks	Choice	Step	Level	Cons	Qty	Rep. QTY
1		13350004		NEEDLE_HEAD_32	FOR MF-7-922D-H25--E32/UT59					1	
2		13350103		NEEDLE_HEAD_40	FOR MF-7-922D-H25--E40/UT59					1	
3		13350301		NEEDLE_HEAD_56	FOR MF-7-923D-H25--E56/UT59					1	
4		13350400		NEEDLE_HEAD_64	FOR MF-7-923D-H25--E64/UT59					1	
5		MUY128S1000		NEEDLE	FOR MF-7-922D-H25--E32/UT59, MF-7922D--H25-E40/UT59				☆	2	
6		MUY128S1000		NEEDLE	FOR MF-7-923D-H25--E56/UT59, MF-7923D--H25-E64/UT59				☆	3	
7		SM8030312TP		SCREW M3 L=3	FOR MF-7-922D-H25--E32/UT59, MF-7922D--H25-E40/UT59					3	
8		SM8030312TP		SCREW M3 L=3	FOR MF-7-923D-H25--E56/UT59, MF-7923D--H25-E64/UT59					4	
9		40154171		THROAT_PLATE	FOR MF-7-922D-H25--E32/UT59					1	
10		40154172		THROAT_PLATE	FOR MF-7-922D-H25--E40/UT59					1	
11		40154173		THROAT_PLATE	FOR MF-7-923D-H25--E56/UT59					1	
12		40154174		THROAT_PLATE	FOR MF-7-923D-H25--E64/UT59					1	
13		40154175		MAIN_FEED_DOG						1	
14		40154179		DIFF_FEED_DOG	FOR MF-7-922D-H25--E32/UT59, MF-7922D--H25-E40/UT59					1	
15		40154180		DIFF_FEED_DOG	FOR MF-7-923D-H25--E56/UT59, MF-7923D--H25-E64/UT59					1	
16		40158688		PRESSER_FOOT_ASSY	FOR MF-7-922D-H25--E32/UT59					1	
17		40158686		PRESSER_FOOT_ASSY	FOR MF-7-922D-H25--E40/UT59					1	
18		40158683		PRESSER_FOOT_ASSY	FOR MF-7-923D-H25--E56/UT59, MF-7923D--H25-E64/UT59					1	
19		40158700		PRESSER_FOOT_BUTTON	FOR MF-7-922D-H25--E32/UT59				*	1	
20		40158699		PRESSER_FOOT_BUTTON	FOR MF-7-922D-H25--E40/UT59				*	1	

GAUGE COMPONENTS (FOR H25/UT59)



GAUGE COMPONENTS (FOR H25/UT59)

No.	Supply Code	Parts No.	Replacement	Parts name	Remarks	Choice	Step	Level	Cons	Qty	Rep. QTY
21		40158698		PRESSER_FOOT_BOTTOM	FOR MF-7-923D-H25--E56/UT59, MF-7923D-H25-E64/UT59			*		1	
22		SM8030412TP		SCREW				*		1	
23		40070229		SPRING_L				*		1	
24		40158672		ADJUST_SCREW¥n				*		1	
25		40158673		PIN¥n				*		1	
26		NM6040001SP		NUT M4X0.7				*		2	
27		40158671		WASHER¥n				*		1	
28		40158670		PRESSER_FOOT_SPRING¥n				*		1	
29		40158669		ADJUST_NUT¥n				*		1	
30		SM8040412TP		SET SCREW M4 L=4				*		3	
31		SM8030802TP		SCREW M3X0.5 L=8				*		1	
32		40158668		PIN_SCREW¥n				*		1	
33		40158667		SLIDING_FOOT_BASE¥n				*		1	
34		SM1850600SP		SCREW				*		1	
35		40070227		GUIDE_PLATE				*		1	
36		40070226		P_F_YIELDING_SECTION				*		1	
37		13375209		PIVOT_PIN				*		1	
38		13377106		SPRING				*		1	
39		40158685		PRESSER_FOOT_HINGE¥n				*		1	
40		PS0150065KP		SPRING PIN 1.5X6				*		1	
41		40038064		FABRIC GUIDE	ACCESSO- RY PARTS					1	
42		SM6850400SP		SCREW M2.5 L=4	ACCESSO- RY PARTS					2	

HOW TO MAKE USE OF THIS PARTS LIST

1.As to "#01" and "#02" refer to the "Note" given at the bottom of the respective pages.

2.Codes on the "Qty" column

- Each numeral indicates the number of parts required.
- "0.1" and "2.5" indicate the length (in meters) of the respective parts.

3.Parentheses mean that the corresponding part is a subpart that constructs an assembly part.

4.Dotted lines on the Figures indicate assembly parts.

5.As to the parts with marks of "☆"(Consumable parts)and "◎"(optional parts)on the respective parts, it is recommended to prepare spares.

1. リストページの#01、#02の印は、ページ下の"注記"の説明を参照下さい。
2. 数量欄の数字は、個数を表し、0.1、2.5等の数値は、長さ（単位メートル）を表します。
3. 数量欄の（ ）は、組部品を構成している子部品であることを意味します。
4. イラストページの-----枠は、組構成であることを意味します。
5. リストページの"☆"（消耗部品）、"◎"（オプション部品）の印が付いた部品は、予備を準備しておくことをお奨めします。

NUMERICAL INDEX OF PARTS

PART NO	PAGE	REF NO.	PART NO	PAGE	REF NO.	PART NO	PAGE	REF NO.
13313101	2	3	40078303	4	54	40158685	14	39
13313309	2	4	40078304	4	58	40158686	8	16~18
13313804	2	11	40078305	4	51	40158686	12	16~18
13314109	2	15	40078306	4	53	40158688	8	16~18
13315205	2	18·21	40078307	2	17	40158688	12	16~18
13315908	2	8	40078312	6	16	40158695	2	6
13326806	2	45	40078313	6	17	40158697	2	9
13328000	6	3	40078317	4	62	40158698	8	19~21
13328208	6	4	40078318	6	1	40158698	14	19~21
13329008	6	13	40078319	6	2	40158699	8	19~21
13338900	6	23	40078320	4	66	40158699	12	19~21
13350004	8	1·2	40087083	4	68	40158700	8	19~21
13350004	12	1·2	40087101	4	69	40158700	12	19~21
13350103	8	1·2	40154171	8	9	40158701	6	22
13350103	12	1·2	40154171	12	9	40158702	6	15
13350301	8	3·4	40154172	8	10	40158703	6	18
13350301	12	3·4	40154172	12	10	40158704	6	27
13350400	8	3·4	40154173	8	11	70001462	4	49
13350400	12	3·4	40154173	12	11	70001463	4	59
13375209	10	37	40154174	8	12	70001465	4	48
13375209	14	37	40154174	12	12	70001477	2	37
13377106	10	38	40154175	8	13	70001478	2	35
13377106	14	38	40154175	12	13	70001485	2	13
13399209	6	11	40154177	8	14	70001486	2	19
40004606	6	21	40154178	8	15	70001487	2	29
40038064	10	41	40154179	12	14	70001488	2	32
40038064	14	41	40154180	12	15	70001489	2	33
40070226	10	36	40156616	2	7	70001490	2	34
40070226	14	36	40158667	10	33	70001491	2	39
40070227	10	35	40158667	14	33	70001492	2	42
40070227	14	35	40158668	10	32	70001493	2	43
40070229	8	23	40158668	14	32	70001494	2	22
40070229	14	23	40158669	8	29	70001495	2	25
40070573	2	2	40158669	14	29	70001498	2	18·21
40070574	2	1	40158670	8	28	70001500	4	70
40078291	4	56	40158670	14	28	70001555	6	6
40078292	4	50	40158671	8	27	70001556	6	29·31
40078293	4	47	40158671	14	27	70001561	6	10
40078293	6	33	40158672	8	24	70001562	6	14
40078295	4	60	40158672	14	24	70001563	6	29·31
40078296	4	65	40158673	8	25	CS1000881TP	6	25
40078299	4	63	40158673	14	25	MUY128S1000	8	6
40078300	4	64	40158683	8	16~18	MUY128S1000	12	6
40078301	4	57	40158683	12	16~18	NM6040001SP	8	26
40078302	4	52	40158685	10	39	NM6040001SP	14	26

NUMERICAL INDEX OF PARTS

PART NO	PAGE	REF NO.	PART NO	PAGE	REF NO.
NM6050001SC	6	8	WP1022016SH	6	24
NM6060001CP	2	27			
PS0150065KP	10	40			
PS0150065KP	14	40			
PS0500142KP	2	20			
SD0700206TP	2	16			
SD0700586TP	2	24			
SM1850600SP	10	34			
SM1850600SP	14	34			
SM4030455SP	2	10			
SM4030855SN	2	46			
SM4041055SP	2	41			
SM6040800SP	2	38			
SM6041000SP	2	55			
SM6041000SP	4	55			
SM6041000SP	6	30			
SM6041200SP	2	14			
SM6041200SP	6	28			
SM6041202TP	2	23			
SM6051002TP	2	30			
SM6051202TP	2	61			
SM6051202TP	4	61			
SM6061202TP	2	28			
SM6061402TP	6	9			
SM6062550TP	2	26			
SM6850400SP	10	42			
SM6850400SP	14	42			
SM8030312TP	8	8			
SM8030312TP	12	8			
SM8030412TP	8	22			
SM8030412TP	14	22			
SM8030802TP	10	31			
SM8030802TP	14	31			
SM8040412TP	6	12			
SM8040412TP	10	30			
SM8040412TP	14	30			
SM8040512TP	2	44			
SM8050412TP	6	26			
SM8060612TP	6	19			
SM9061050TP	6	20			
TA0600401R0	6	32			
TA0850604R0	4	67			
WP0450826SC	2	40			
WP0550800SP	6	7			
WP0551016SH	2	31			