

MODEL : MF-7524

List No : 1644-00

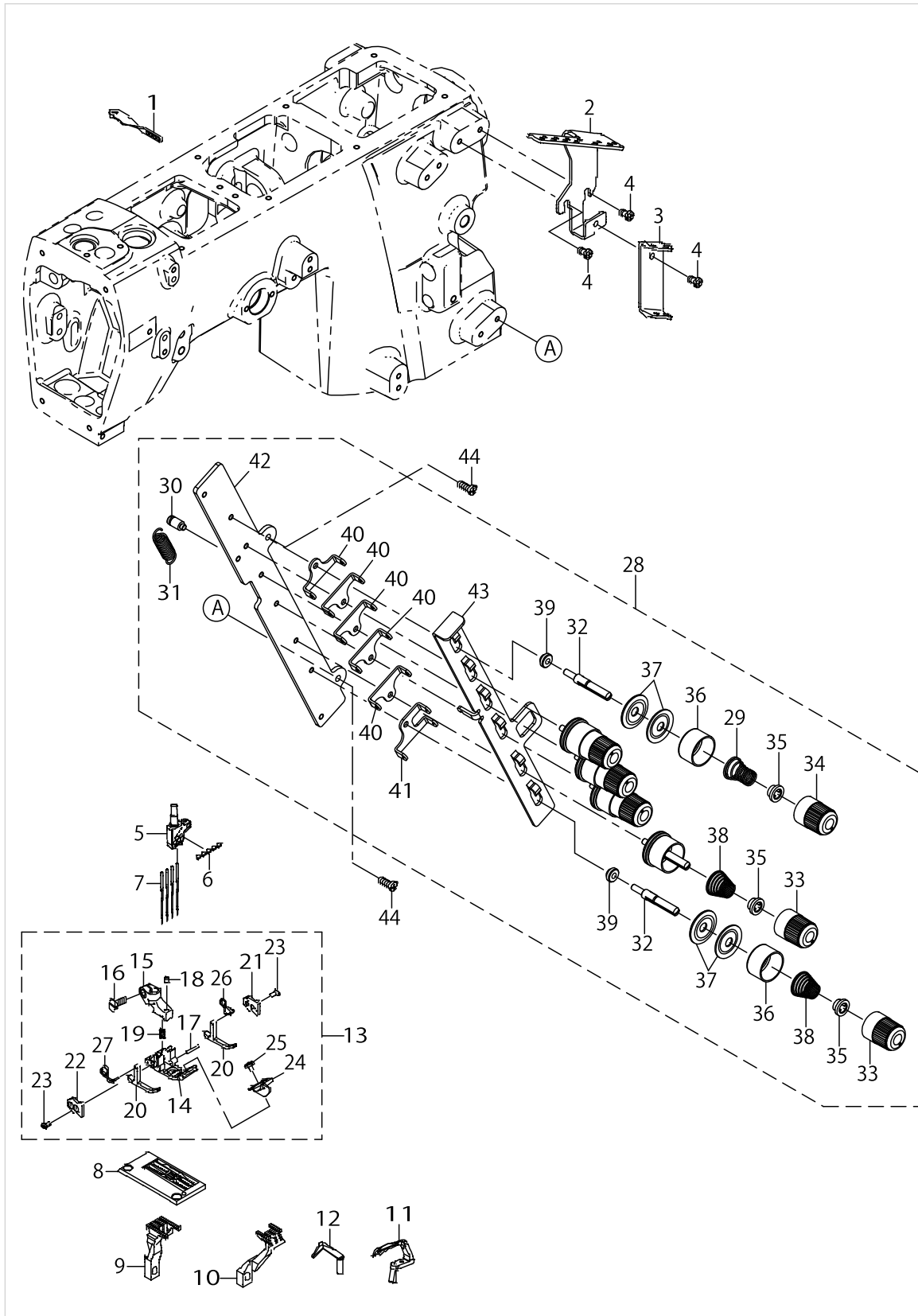
# PARTS LIST

Published:05/12/2017

## CONTENTS

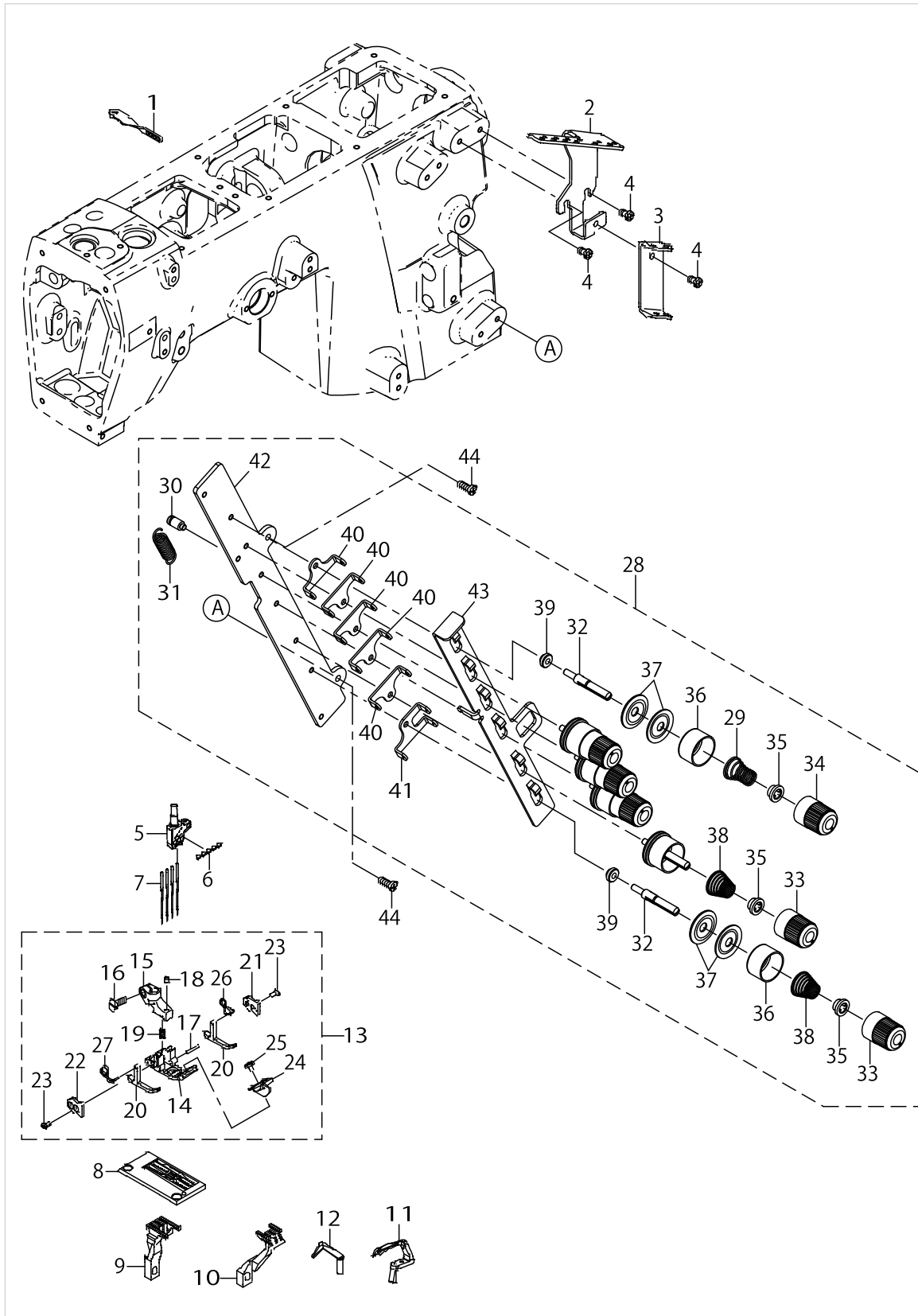
---

|  |   |
|--|---|
| MF-7524 (1) .....                        | 1 |
| MF-7524 (2) .....                        | 5 |
| HOW TO MAKE USE OF THIS PARTS LIST ..... | 7 |



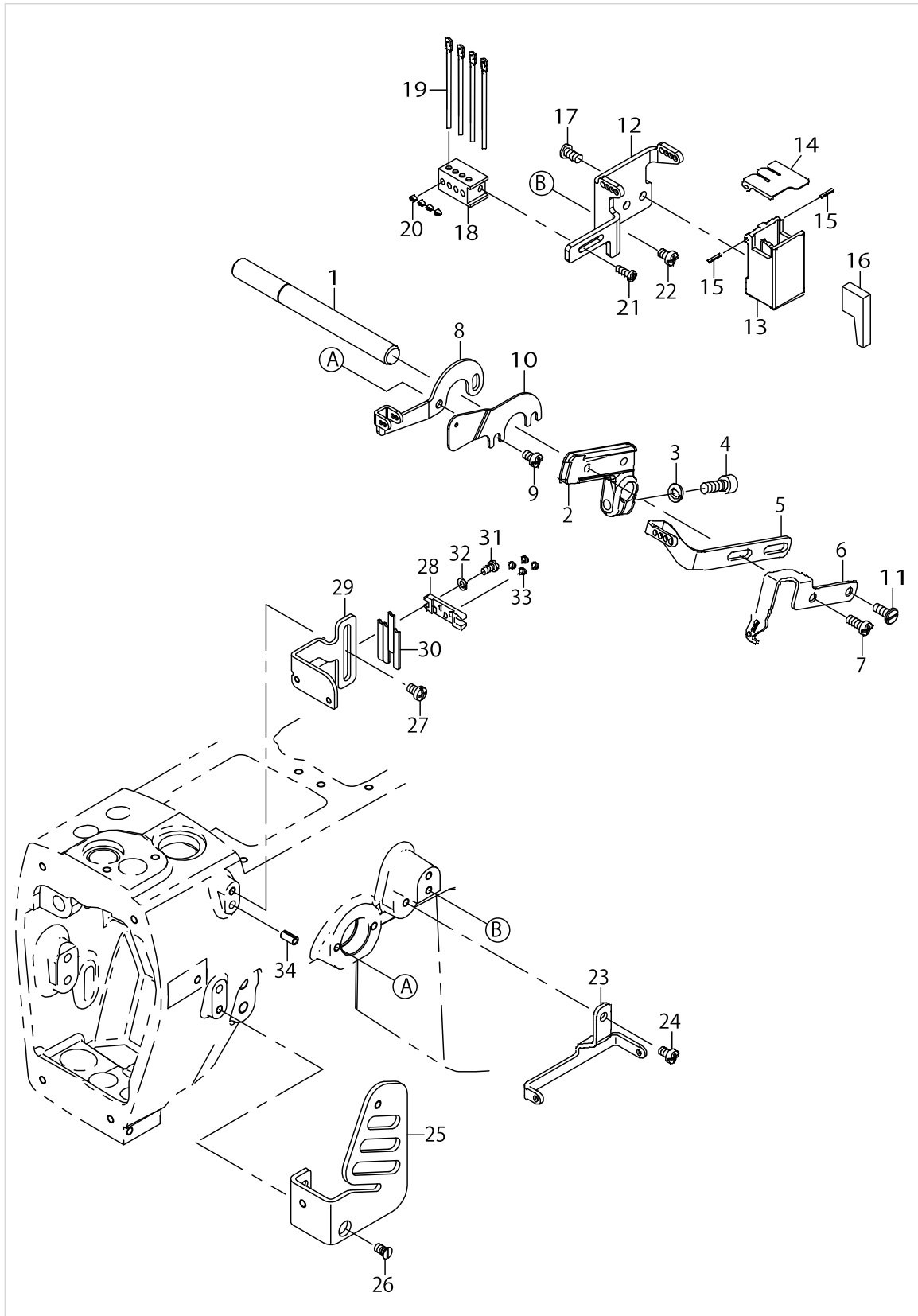
MF-7524 (1)

| No. | Supply Code | Parts No.   | Replacement | Parts name            | Remarks | Choice | Step                      | Level | Cons | Qty | Rep. QTY |
|-----|-------------|-------------|-------------|-----------------------|---------|--------|---------------------------|-------|------|-----|----------|
| 1   |             | 40052932    |             | NEEDLE_BAR_EYELET     |         |        |                           |       |      | 1   |          |
| 2   |             | 40034355    |             | THREAD_GUIDE_PLATE    |         |        |                           |       |      | 1   |          |
| 3   |             | 13340104    |             | THREAD GUIDE          |         |        |                           |       |      | 1   |          |
| 4   |             | SM4040655SP |             | SCREW M4 L=6          |         |        |                           |       |      | 3   |          |
| 5   |             | 40049609    |             | NEEDLE_HEAD_60_ASSY   |         |        |                           |       |      | 1   |          |
| 6   |             | SM8030350TP |             | SCREW                 |         |        |                           |       |      | 5   |          |
| 7   |             | MSM101B1000 |             | NEEDLE SMX1014B #10   |         |        |                           |       |      | 4   |          |
| 8   |             | 40049382    |             | THROAT_PLATE          |         |        |                           |       |      | 1   |          |
| 9   |             | 13353701    |             | MAIN_FEED_DOG         |         |        |                           |       |      | 1   |          |
| 10  |             | 13357603    |             | DIFF_FEED_DOG         |         |        |                           |       |      | 1   |          |
| 11  |             | 40051448    |             | LOOPER_MF7724-D60     |         |        |                           |       |      | 1   |          |
| 12  |             | 40052924    |             | REAR_NEEDLE_GUARD     |         |        |                           |       |      | 1   |          |
| 13  |             | 40049394    |             | PRESSER_FOOT_ASSY     |         |        |                           |       |      | 1   |          |
| 14  |             | 40049383    |             | PRESSER_FOOT_BOTTOM   |         |        |                           | *     |      | 1   |          |
| 15  | R           | 13375506    | 13375050    | PRESSER_FOOT_HINGE    |         | A      | A:MF-7723-<br>-U10-B56    | *     |      | 1   | 1.00     |
| 15  | R           | 13375506    | 13376058    | PRESSER_FOOT_HINGE    |         | B      | B:MF-7723-<br>-U10-B48    | *     |      | 1   | 1.00     |
| 15  | R           | 13375506    | 40049394    | PRESSER_FOOT_HINGE    |         | C      | C:PRESSER<br>for 7724-D60 | *     |      | 1   | 1.00     |
| 16  |             | SM6040800SP |             | SCREW                 |         |        |                           | *     |      | 1   |          |
| 17  |             | 13375209    |             | PIVOT_PIN             |         |        |                           | *     |      | 1   |          |
| 18  |             | SM8030412TP |             | SCREW                 |         |        |                           | *     |      | 1   |          |
| 19  |             | 13377106    |             | SPRING                |         |        |                           | *     |      | 1   |          |
| 20  | R           | 13375100    | 13375050    | P_F_YIELDING_SECTION  |         | A      | A:MF-7723-<br>-U10-B56    | *     |      | 2   | 1.00     |
| 20  | R           | 13375100    | 13376058    | P_F_YIELDING_SECTION  |         | B      | B:MF-7723-<br>-U10-B48    | *     |      | 2   | 1.00     |
| 20  | R           | 13375100    | 40049394    | P_F_YIELDING_SECTION  |         | C      | C:PRESSER<br>for 7724-D60 | *     |      | 2   | 1.00     |
| 21  | R           | 13375704    | 13375050    | GUIDE_PLATE_R         |         | A      | A:MF-7723-<br>-U10-B56    | *     |      | 1   | 1.00     |
| 21  | R           | 13375704    | 13376058    | GUIDE_PLATE_R         |         | B      | B:MF-7723-<br>-U10-B48    | *     |      | 1   | 1.00     |
| 21  | R           | 13375704    | 40049394    | GUIDE_PLATE_R         |         | C      | C:PRESSER<br>for 7724-D60 | *     |      | 1   | 1.00     |
| 22  | R           | 13375605    | 13375050    | GUIDE_PLATE_L         |         | A      | A:MF-7723-<br>-U10-B56    | *     |      | 1   | 1.00     |
| 22  | R           | 13375605    | 13376058    | GUIDE_PLATE_L         |         | B      | B:MF-7723-<br>-U10-B48    | *     |      | 1   | 1.00     |
| 22  | R           | 13375605    | 40049394    | GUIDE_PLATE_L         |         | C      | C:PRESSER<br>for 7724-D60 | *     |      | 1   | 1.00     |
| 23  |             | SM1850600SP |             | SCREW                 |         |        |                           | *     |      | 4   |          |
| 24  |             | 13376900    |             | PRESSER_FOOT_GUIDE    |         |        |                           | *     |      | 1   |          |
| 25  |             | 13377007    |             | SCREW                 |         |        |                           | *     |      | 1   |          |
| 26  |             | 13375407    |             | SPRING_R              |         |        |                           | *     |      | 1   |          |
| 27  |             | 13375308    |             | SPRING_L              |         |        |                           | *     |      | 1   |          |
| 28  |             | 70004144    |             | THREAD_TENSION_ASSY   |         |        |                           |       |      | 1   |          |
| 29  |             | 13140504    |             | TENSION_SPRING_GREEN  |         |        |                           | *     |      | 4   |          |
| 30  |             | 13340302    |             | SHOULDER SCREW        |         |        |                           | *     |      | 1   |          |
| 31  | D           | 26019000    |             | THREAD TENSION SPRING |         |        |                           | *     |      | 1   |          |
| 32  |             | 70001620    |             | TENSION_POST          |         |        |                           | *     |      | 6   |          |
| 33  |             | 40042363    |             | KNOB                  |         |        |                           | *     |      | 2   |          |
| 34  |             | 40042364    |             | KNOB GREEN            |         |        |                           | *     |      | 4   |          |



MF-7524 (1)

| No. | Supply Code | Parts No.   | Replacement | Parts name                  | Remarks | Choice | Step | Level | Cons | Qty | Rep. QTY |
|-----|-------------|-------------|-------------|-----------------------------|---------|--------|------|-------|------|-----|----------|
| 35  |             | 40042365    |             | SPRING BUSHING              |         |        |      | *     |      | 6   |          |
| 36  |             | 40042366    |             | THREAD TENSION DISK PRESSER |         |        |      | *     |      | 6   |          |
| 37  |             | 40101602    |             | THREAD_TENSION_DISC         |         |        |      | *     |      | 12  |          |
| 38  |             | 40102003    |             | SPRING                      |         |        |      | *     |      | 2   |          |
| 39  |             | 70001617    |             | SPACER                      |         |        |      | *     |      | 6   |          |
| 40  |             | 70001615    |             | TENSION_DISC_EYELET_A       |         |        |      | *     |      | 5   |          |
| 41  |             | 70001616    |             | TENSION_DISC_EYELET_B       |         |        |      | *     |      | 1   |          |
| 42  |             | 70004142    |             | TENSION_POST_SUPPORT        |         |        |      | *     |      | 1   |          |
| 43  |             | 70004143    |             | TENSION_DISK_SEPARATOR      |         |        |      | *     |      | 1   |          |
| 44  |             | SM4041055SP |             | SCREW                       |         |        |      |       |      | 2   |          |



## MF-7524 (2)

| No. | Supply Code | Parts No.   | Replacement | Parts name               | Remarks | Choice | Step | Level | Cons | Qty | Rep. QTY |
|-----|-------------|-------------|-------------|--------------------------|---------|--------|------|-------|------|-----|----------|
| 1   |             | 13324306    |             | SHAFT                    |         |        |      |       |      | 1   |          |
| 2   |             | 13324702    |             | HOLDER TAKE UP EYELET    |         |        |      |       |      | 1   |          |
| 3   |             | WS0510002KN |             | SPRING WASHER M5         |         |        |      |       |      | 1   |          |
| 4   |             | SM6051402TP |             | SCREW M5X0.8 L=14        |         |        |      |       |      | 1   |          |
| 5   |             | 40034360    |             | NDL_THREAD_TAKE_UP       |         |        |      |       |      | 1   |          |
| 6   |             | 13324900    |             | UP LPR THREAD TAKE UP    |         |        |      |       |      | 1   |          |
| 7   |             | SM4041055SP |             | SCREW                    |         |        |      |       |      | 2   |          |
| 8   |             | 40052929    |             | THREAD_GUIDE             |         |        |      |       |      | 1   |          |
| 9   |             | SM4040655SP |             | SCREW M4 L=6             |         |        |      |       |      | 2   |          |
| 10  |             | 40085995    |             | FINGER_GUARD             |         |        |      |       |      | 1   |          |
| 11  |             | SM6041050TP |             | SCREW                    |         |        |      |       |      | 1   |          |
| 12  |             | 70001540    |             | THREAD_TENSION_GUIDE     |         |        |      |       |      | 1   |          |
| 13  |             | 40034366    |             | TANK                     |         |        |      |       |      | 1   |          |
| 14  |             | 70001546    |             | SILICONE_OIL_TANK_COVER  |         |        |      |       |      | 1   |          |
| 15  |             | PS0150082KH |             | SPRING PIN               |         |        |      |       |      | 2   |          |
| 16  |             | B9214850000 |             | HEAT REMOVING FELT       |         |        |      |       |      | 1   |          |
| 17  |             | ST4040851SN |             | TAPPING SCREW M4X8       |         |        |      |       |      | 2   |          |
| 18  |             | 40034358    |             | HOLDER                   |         |        |      |       |      | 1   |          |
| 19  | R           | 30391601    | 40074316    | NEEDLE THREAD EYELET     |         |        |      |       |      | 4   | 1.00     |
| 20  |             | SM8030350TP |             | SCREW                    |         |        |      |       |      | 4   |          |
| 21  |             | SM4030855SN |             | SCREW M3 L=8.0           |         |        |      |       |      | 1   |          |
| 22  |             | SM4040655SP |             | SCREW M4 L=6             |         |        |      |       |      | 2   |          |
| 23  |             | 70001541    |             | THREAD_GUIDE             |         |        |      |       |      | 1   |          |
| 24  |             | SM4040655SP |             | SCREW M4 L=6             |         |        |      |       |      | 1   |          |
| 25  |             | 70001544    |             | TAKE_UP_COVER            |         |        |      |       |      | 1   |          |
| 26  |             | SM1040750TP |             | SCREW M4 L=7             |         |        |      |       |      | 1   |          |
| 27  |             | SM4040655SP |             | SCREW M4 L=6             |         |        |      |       |      | 1   |          |
| 28  |             | 40052926    |             | GUIDE_BRACKET            |         |        |      |       |      | 1   |          |
| 29  |             | 70004146    |             | NDL_THD_STRIKE_OFF       |         |        |      |       |      | 1   |          |
| 30  |             | 40052925    |             | NDL THD STRIKE OFF PLATE |         |        |      |       |      | 4   |          |
| 31  |             | SM4030655SP |             | SCREW                    |         |        |      |       |      | 2   |          |
| 32  |             | WP0320500SC |             | WASHER M3                |         |        |      |       |      | 2   |          |
| 33  |             | SM8030350TP |             | SCREW                    |         |        |      |       |      | 4   |          |
| 34  |             | PS0400082KP |             | SPRING PIN               |         |        |      |       |      | 1   |          |



## HOW TO MAKE USE OF THIS PARTS LIST

- 1.As to "#01" and "#02" refer to the "Note" given at the bottom of the respective pages.
- 2.Codes on the "Qty" column
  - Each numeral indicates the number of parts required.
  - "0.1" and "2.5" indicate the length (in meters) of the respective parts.
- 3.Parentheses mean that the corresponding part is a subpart that constructs an assembly part.
- 4.Dotted lines on the Figures indicate assembly parts.

1. リストページの# 0 1、# 0 2の印は、ページ下の"注記"の説明を参照下さい。
2. 数量欄の数字は、個数を表し、0. 1、2. 5等の数値は、長さ（単位メートル）を表します。
3. 数量欄の（ ）は、組部品を構成している子部品であることを意味します。
4. イラストページの-----枠は、組構成であることを意味します。

ALL PARTS NOT MENTIONED IN THIS PARTS LIST ARE SAME AS THOSE OF  
MODEL MF-7500. OTHER PARTS LIST RELATED TO THIS MODEL.  
\*MF-7500. (NO.1596 PART NO.70002001)

このパーツリスト記載以外の部品はMF-7500.と共通です。  
この機種に関連するパーツリストとして下記のパーツリストがあります。  
\*MF-7500 (NO.1596 品番70002001)

# NUMERICAL INDEX OF PARTS

| PART NO  | PAGE | REF NO. | PART NO     | PAGE | REF NO. |
|----------|------|---------|-------------|------|---------|
| 13140504 | 2    | 29      | 70001615    | 4    | 40      |
| 13324306 | 6    | 1       | 70001616    | 4    | 41      |
| 13324702 | 6    | 2       | 70001617    | 4    | 39      |
| 13324900 | 6    | 6       | 70001620    | 2    | 32      |
| 13340104 | 2    | 3       | 70004142    | 4    | 42      |
| 13340302 | 2    | 30      | 70004143    | 4    | 43      |
| 13353701 | 2    | 9       | 70004144    | 2    | 28      |
| 13357603 | 2    | 10      | 70004146    | 6    | 29      |
| 13375100 | 2    | 20      | B9214850000 | 6    | 16      |
| 13375209 | 2    | 17      | MSM101B1000 | 2    | 7       |
| 13375308 | 2    | 27      | PS0150082KH | 6    | 15      |
| 13375407 | 2    | 26      | PS0400082KP | 6    | 34      |
| 13375506 | 2    | 15      | SM1040750TP | 6    | 26      |
| 13375605 | 2    | 22      | SM1850600SP | 2    | 23      |
| 13375704 | 2    | 21      | SM4030655SP | 6    | 31      |
| 13376900 | 2    | 24      | SM4030855SN | 6    | 21      |
| 13377007 | 2    | 25      | SM4040655SP | 2    | 4       |
| 13377106 | 2    | 19      | SM4040655SP | 6    | 27      |
| 26019000 | 2    | 31      | SM4041055SP | 4    | 44      |
| 30391601 | 6    | 19      | SM4041055SP | 6    | 7       |
| 40034355 | 2    | 2       | SM6040800SP | 2    | 16      |
| 40034358 | 6    | 18      | SM6041050TP | 6    | 11      |
| 40034360 | 6    | 5       | SM6051402TP | 6    | 4       |
| 40034366 | 6    | 13      | SM8030350TP | 2    | 6       |
| 40042363 | 2    | 33      | SM8030350TP | 6    | 33      |
| 40042364 | 2    | 34      | SM8030412TP | 2    | 18      |
| 40042365 | 4    | 35      | ST4040851SN | 6    | 17      |
| 40042366 | 4    | 36      | WP0320500SC | 6    | 32      |
| 40049382 | 2    | 8       | WS0510002KN | 6    | 3       |
| 40049383 | 2    | 14      |             |      |         |
| 40049394 | 2    | 13      |             |      |         |
| 40049609 | 2    | 5       |             |      |         |
| 40051448 | 2    | 11      |             |      |         |
| 40052924 | 2    | 12      |             |      |         |
| 40052925 | 6    | 30      |             |      |         |
| 40052926 | 6    | 28      |             |      |         |
| 40052929 | 6    | 8       |             |      |         |
| 40052932 | 2    | 1       |             |      |         |
| 40085995 | 6    | 10      |             |      |         |
| 40101602 | 4    | 37      |             |      |         |
| 40102003 | 4    | 38      |             |      |         |
| 70001540 | 6    | 12      |             |      |         |
| 70001541 | 6    | 23      |             |      |         |
| 70001544 | 6    | 25      |             |      |         |
| 70001546 | 6    | 14      |             |      |         |