

MODEL : UT35  
List No : 1609-01

# PARTS LIST

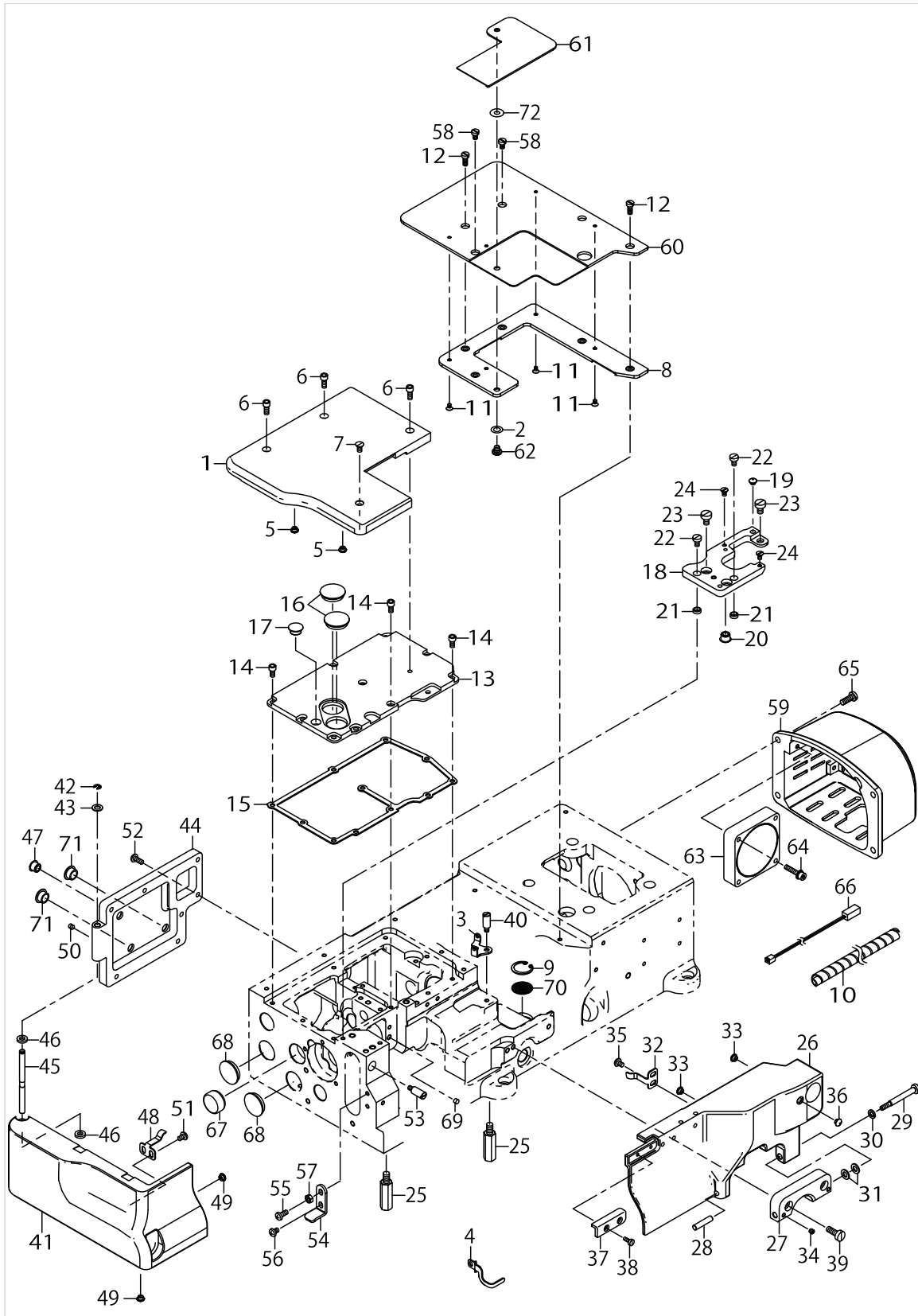
Published:05/12/2017

## CONTENTS

---

MISCELLANEOUS COVER COMPONENTS.....	1
MAIN SHAFT COMPONENTS .....	5
THREAD TENSION COMPONENTS .....	7
LOOPER THREAD TRIMMER COMPONENTS .....	9
PNEUMATIC DRIVE & PRESSER FEED LIFTER COMPONENTS .....	11
TOP COVER THREAD TRIMMER COMPONENTS .....	13
AK SOLENOID COMPONENTS .....	15
ACCESSORIES PARTS COMPONENTS .....	17
HOW TO MAKE USE OF THIS PARTS LIST .....	19

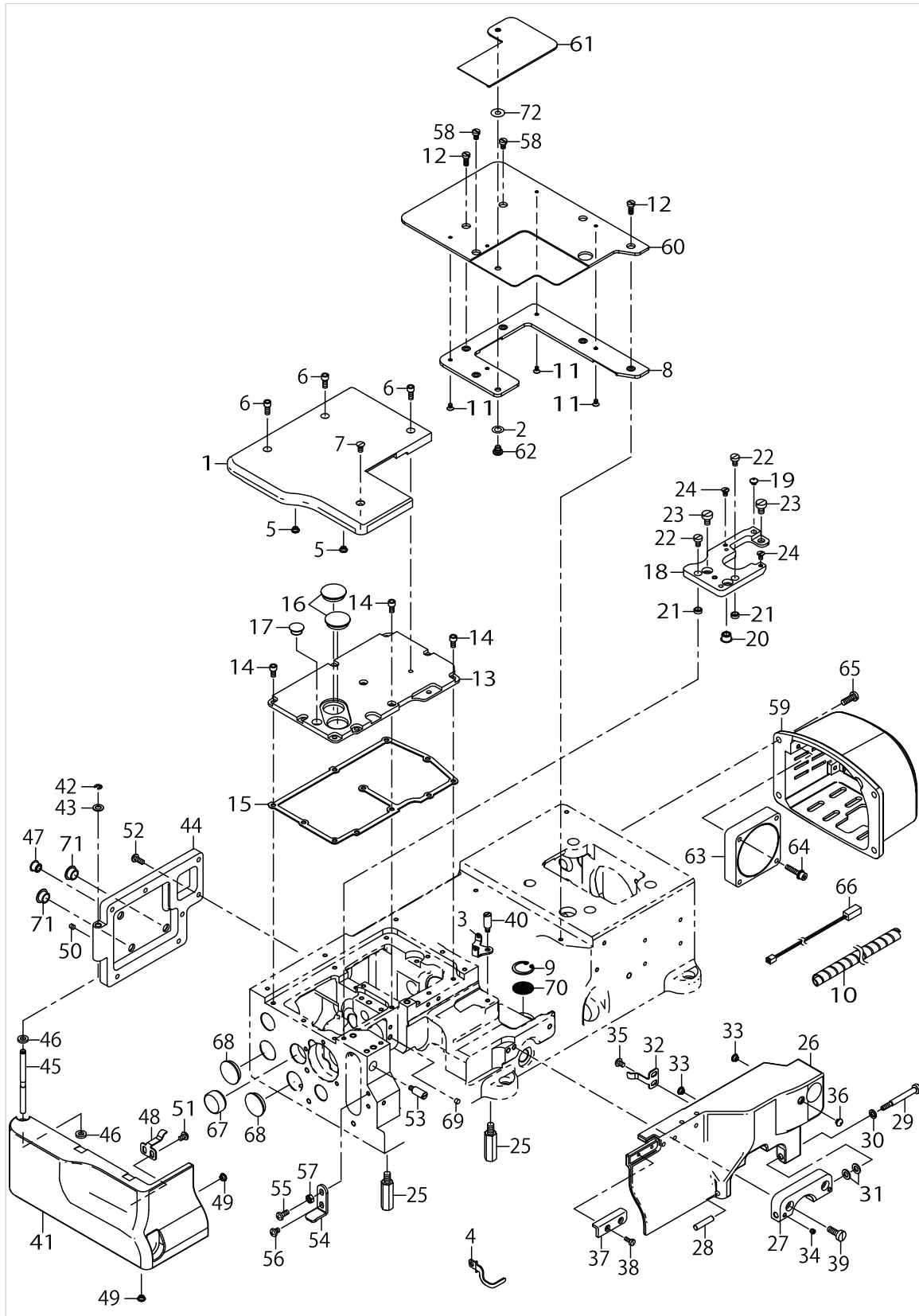
# MISCELLANEOUS COVER COMPONENTS



MISCELLANEOUS COVER COMPONENTS

No.	Supply Code	Parts No.	Replacement	Parts name	Remarks	Choice	Step	Level	Cons	Qty	Rep. QTY
1		70001420		CLOTH_PLATE_LEFT						1	
2		WZ0641510KP		WAVED WASHER 6.4X11X0.3						1	
3		70001823		THREAD_GUIDE_UT						1	
4		70001484		FINGER_GUARD						1	
5		13302302		RUBBER BUMPER						2	
6		SM6041002TP		SCREW M4X0.7 L=10						3	
7		SM1040800SP		SCREW						1	
8		70001825		CLOTH_PLATE_RIGHT_BOTTOM						1	
9		RC1900002KP		C-RING						1	
10		HX00314000D		SPIRAL TUBE						.7	
11		SM1030501SN		SCREW						4	
12		SM6041000SP		SCREW M4 L=10						2	
13		70001415		BED_TOP_COVER						1	
14		SM6040800SP		SCREW						11	
15		70001423		GASKET_B						1	
16		TA2050416R0		RUBBER PLUG						2	
17		TA1050504R0		RUBBER PLUG						1	
18		70001424		THROAT_PLATE_SUPPORT						1	
19		13302302		RUBBER BUMPER						1	
20		TA0850604R0		RUBBER PLUG						1	
21		40082196		ADJUSTING_COLLAR						2	
22		SM6040750TP		SCREW M4 L=7						2	
23		SM6050800SP		SCREW M5 L=8						3	
24		13302203		SCREW						2	
25		13301809		SUPPORT STUD						4	
26		70001426		SWING_DOWN_COVER						1	
27	R	70001431	70004972	HINGE						1	1.00
28		13409800		DIFF_LINK_PIN						1	
29		70001414		SCREW						1	
30		WS0510002KP		SPRING WASHER 5.1X9.2X1.3						1	
31		WP0531000SC		WASHER 5.3X10X1						2	
32		13304308		LATCH SPRING						1	
33		13302302		RUBBER BUMPER						2	
34		SM8040412TP		SET SCREW M4 L=4						2	
35		SM4040655SP		SCREW M4 L=6						2	
36		13302302		RUBBER BUMPER						1	
37		40099371		BRACKET						1	
38		SM6030800SP		SCREW M3X0.5 L=8						2	
39		SM6051400SP		SCREW						2	
40		13302104		PIN						1	
41		70001418		SIDE_COVER						1	
42		RE0300000K0		E-RING 3						1	
43		WP0550800SP		WASHER 5.5X10X0.8						1	
44		70001659		FEED_CHAMBER_COVER						1	
45		13305107		PIN_FOR_SIDE_COVER						1	
46		13302708		RUBBER_WASHER						2	

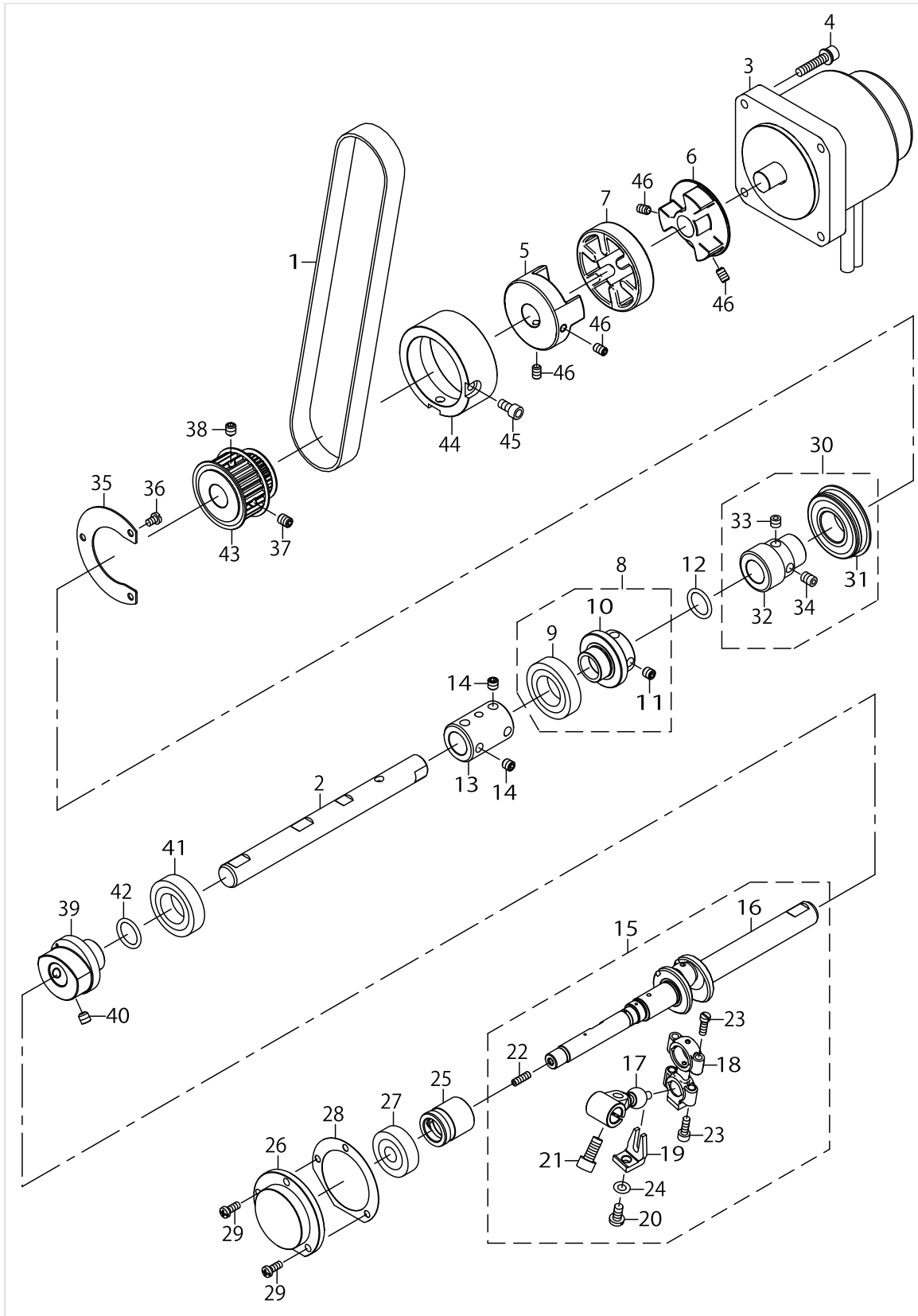
MISCELLANEOUS COVER COMPONENTS



MISCELLANEOUS COVER COMPONENTS

No.	Supply Code	Parts No.	Replacement	Parts name	Remarks	Choice	Step	Level	Cons	Qty	Rep. QTY
47		TA0850604R0		RUBBER PLUG						1	
48		13304308		LATCH SPRING						1	
49		13302302		RUBBER BUMPER						2	
50		SM8040412TP		SET SCREW M4 L=4						1	
51		SM4040555SP		SCREW						2	
52		SM4041055SP		SCREW						7	
53		13302104		PIN						1	
54		13304209		SUPPORT BRACKET						1	
55		SM4041055SP		SCREW						1	
56		SM4040655SP		SCREW M4 L=6						1	
57		NM6040000SN		NUT M4						1	
58		SM6040600SP		SCREW M4 L=6						3	
59		70001413		MOTOR_COVER						1	
60		70001818		CLOTH_PLATE_RIGHT_UPPER						1	
61		70001826		SLIDE_COVER						1	
62		SD0640216TP		SHOULDER SCREW						1	
63		40119461		HEAD FAN MOTOR A ASSY						1	
64		SL6042092TN		SCREW M4 L=20						2	
65		SM4051455SP		SCREW M5 L=14						4	
66		70001457		FAN_CORD_ASSY						1	
67		TA2101002R0		RUBBER PLUG						1	
68		TA2050416R0		RUBBER PLUG						2	
69		TA0400301M0		PLUG D=4X4.5 L=3						1	
70		13426903		MESH PLATE						1	
71		TA1050504R0		RUBBER PLUG						2	
72		70001428		WASHER						1	

# MAIN SHAFT COMPONENTS

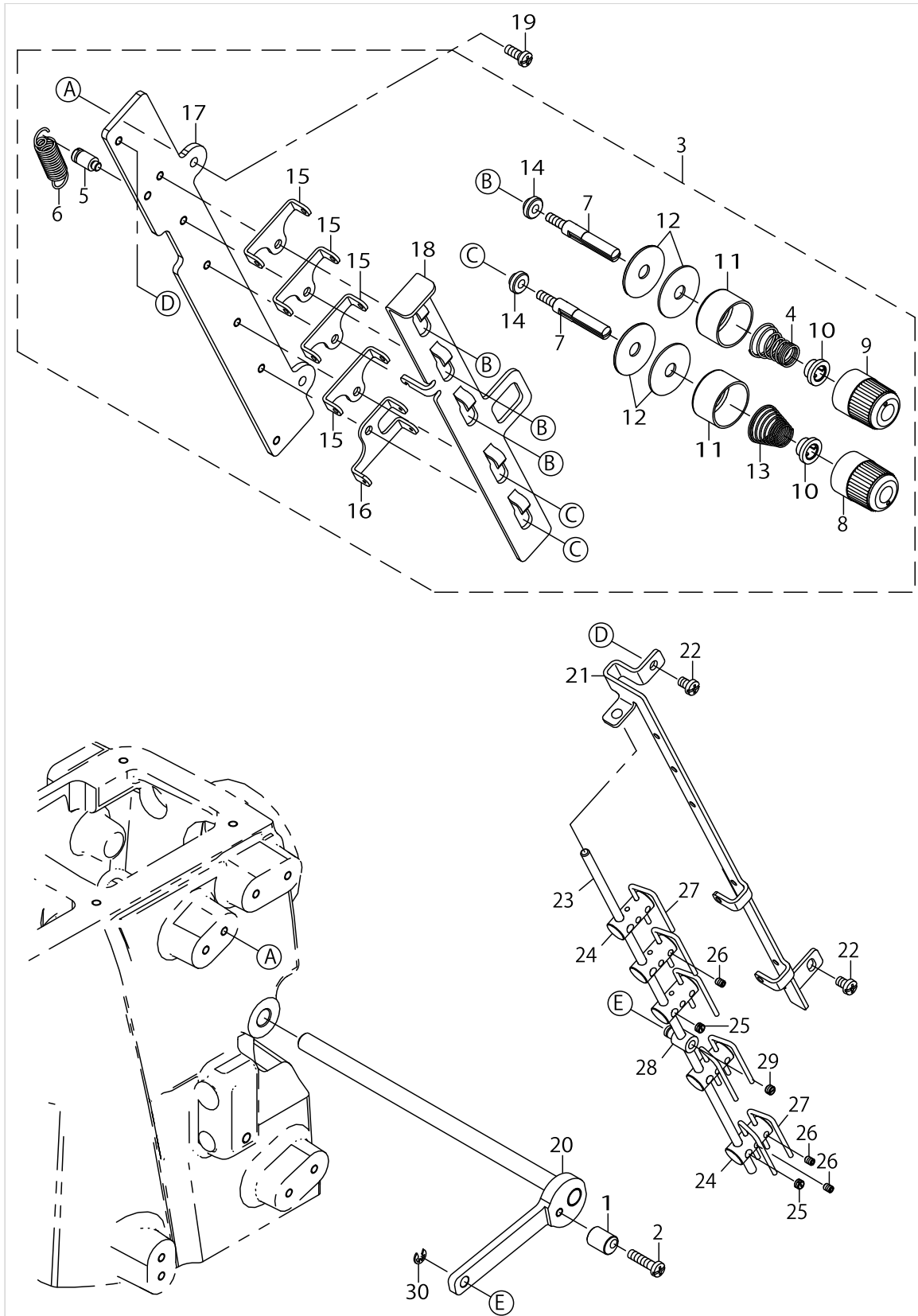


MAIN SHAFT COMPONENTS

No.	Supply Code	Parts No.	Replacement	Parts name	Remarks	Choice	Step	Level	Cons	Qty	Rep. QTY
1		13308804		TIMING_BELT						1	
2		70001455		LOWER_MAINSHAFT_RIGHT_DD						1	
3		40118009		SERVO MOTOR						1	
4		SL6052592TN		BOLT						4	
5		40112105		HUB_L						1	
6		40112106		HUB_R						1	
7		40112107		SPIDER						1	
8		13308457		BEARING_ASSY_C						1	
9		SB120001500		BEARING				*		1	
10	D	40018922		COUPLING_C				*		1	
11		SM8060612TP		SCREW M6 L=6				*		2	
12		RO148240200		RUBBER RING						1	
13		13307509		JOINT						1	
14		SM8060612TP		SCREW M6 L=6						4	
15		70001446		LMS_LEFT_ASSY						1	
16		70001434		LOWER_MAINSHAFT_LEFT				*		1	
17		70001600		LOOPER_DRIVE				*		1	
18		70001599		LOOPER_ROD_DRIVE				*		1	
19	R	13337100	13308150	GUIDE LOOPER ROD				*		1	1.00
20		SM4051055SP		SCREW				*		1	
21		SM6061402TP		SCREW M6 L=14				*		1	
22		SM8040412TP		SET SCREW M4 L=4				*		1	
23		13324108		SCREW				*		4	
24		WS0510002KP		SPRING WASHER 5.1X9.2X1.3				*		1	
25		70001447		BUSHING_LMS_MIDDLE						1	
26		70001448		BUSHING_LMS_LEFT						1	
27		SB110002300		BEARING						1	
28		13308705		GASKET FOR BUSHING LEFT						1	
29		SM4041055SP		SCREW						3	
30		70003278		LMS_WORM_ASSY						1	
31	R	70001458	70003278	BEARING				*		1	1.00
32		13308507		COUPLING D				*		1	
33		SM8060842TP		SCREW M6 L=8				*		1	
34		SM8060552TP		SCREW M6 L=5				*		1	
35		70001451		THRUST_PLATE						1	
36		SM4040655SP		SCREW M4 L=6						3	
37		SM8060812TP		SCREW M6 L=8						1	
38		SM8060842TP		SCREW M6 L=8						1	
39		70001453		BEARING HOLDER						1	
40		SM8060612TP		SCREW M6 L=6						2	
41		SB120001500		BEARING						1	
42		RO148240200		RUBBER RING						1	
43		70004184		LMS_SPROCKET						1	
44		70003317		FLY_WHEEL_FOR_DD						1	
45		SM6051002TP		SCREW M5X0.8 L=10						2	
46		SM8050412TP		SCREW M5 L=4						4	



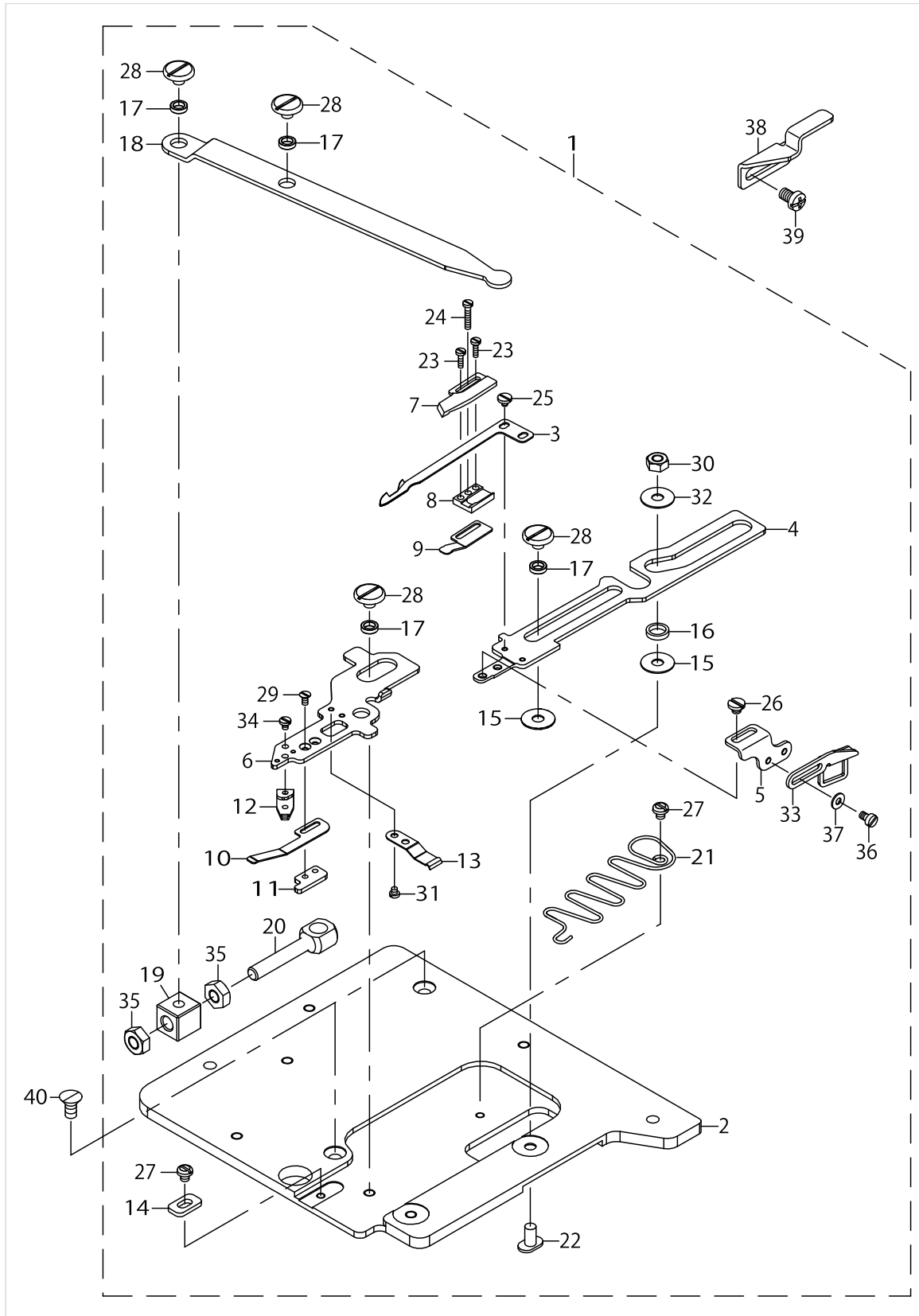
THREAD TENSION COMPONENTS



THREAD TENSION COMPONENTS

No.	Supply Code	Parts No.	Replacement	Parts name	Remarks	Choice	Step	Level	Cons	Qty	Rep. QTY
1		40065785		TENS_RELEASE_ADJ_ECC						1	
2		SM4041655SP		SCREW M4 L=16						1	
3		70001612		THREAD_TENSION_ASSY						1	
4		13140504		TENSION SPRING				*		3	
5		13340302		SHOULDER SCREW				*		1	
6	D	26019000		THREAD TENSION SPRING				*		1	
7		70001620		TENSION_POST				*		5	
8		40042363		KNOB				*		2	
9		40042364		KNOB GREEN				*		3	
10		40042365		SPRING BUSHING				*		5	
11		40042366		THREAD TENSION DISK PRESSER				*		5	
12		40101602		THREAD_TENSION_DISC				*		10	
13		40102003		SPRING				*		2	
14		70001617		SPACER				*		5	
15		70001615		TENSION_DISC_EYELET_A				*		4	
16		70001616		TENSION_DISC_EYELET_B				*		1	
17		70001613		TENSION_POST_SUPPORT				*		1	
18		70001614		TENSION_DISC_SEPARATOR				*		1	
19		SM4041055SP		SCREW						2	
20		70001618		PULL_OFF_LEVER_ASSY						1	
21		70001621		THREAD_GUIDE						1	
22		SM4040655SP		SCREW M4 L=6						2	
23		13456108		PULL_OFF_BAR						1	
24		13456207		THD_P_O_HOOK_GUIDE						5	
25		SM8040360TP		SCREW						5	
26		SM8030412TP		SCREW						7	
27		13456603		THD_PULL_OFF_HOOK						7	
28		13456405		THD_PULL_OFF_BAR_HOLDER						1	
29		SM8040360TP		SCREW						1	
30		RE030000K0		E-RING 3						1	

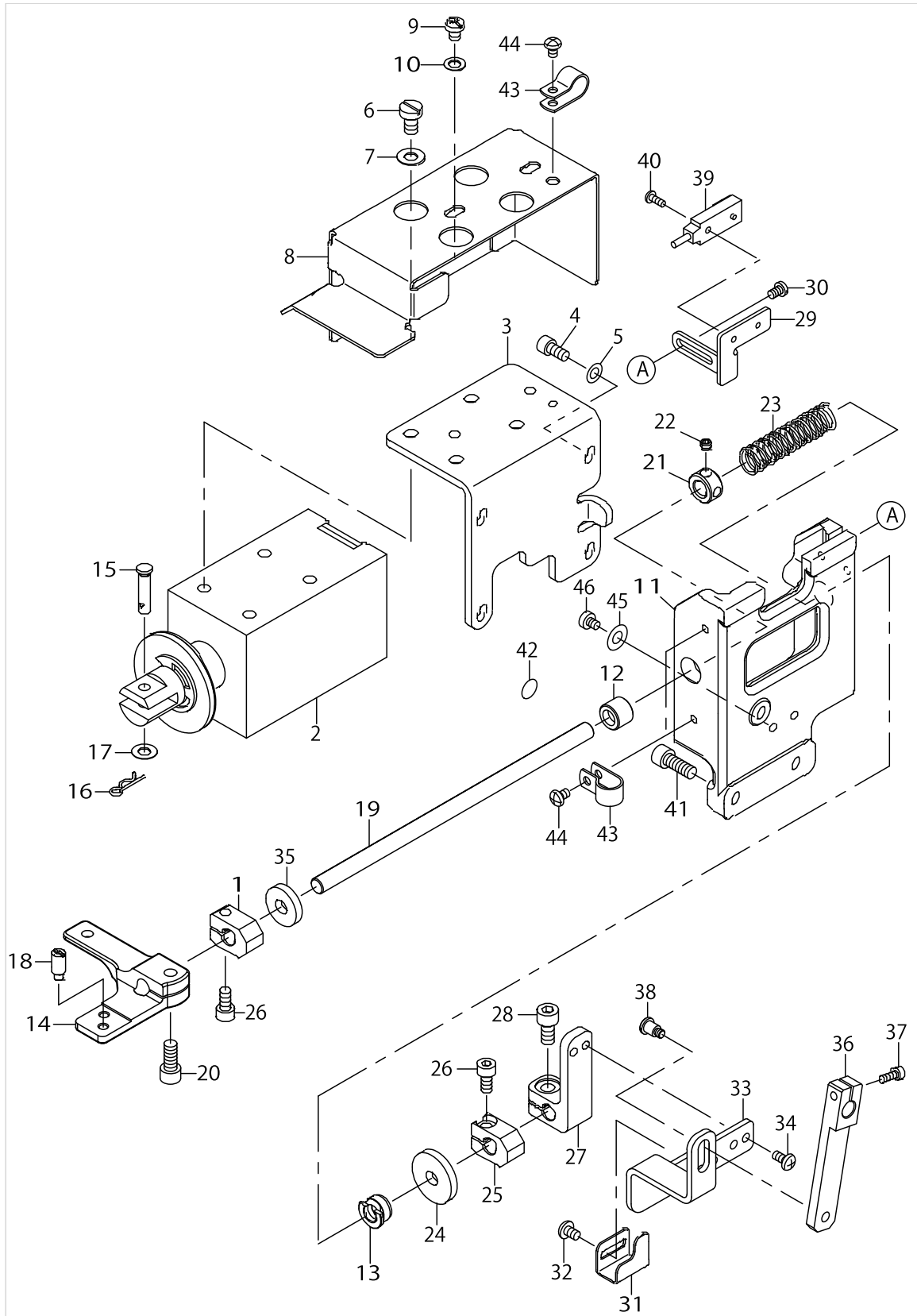
LOOPER THREAD TRIMMER COMPONENTS



LOOPER THREAD TRIMMER COMPONENTS

No.	Supply Code	Parts No.	Replacement	Parts name	Remarks	Choice	Step	Level	Cons	Qty	Rep. QTY
1		70001815		UNDER_TRIMMER_ASSY						1	
2		70001817		CLOTH_PLATE_RIGHT_UT				*		1	
3		40086274		LOWER_KNIFE				*		1	
4		70001821		LOWER_KNIFE_HOLDER				*		1	
5		70001824		TAKE_UP_UT_BRACKET				*		1	
6		70001820		KNIFE_GUIDE_HOLDER				*		1	
7		40086277		UPPER_KNIFE				*		1	
8		40086278		LOWER_KNIFE_GUIDE				*		1	
9		40086279		KNIFE_SPRING				*		1	
10		40086280		THREAD_CLAMP				*		1	
11		40086282		PLATE				*		1	
12		40086308		TENSION_LEVER				*		1	
13		13441902		LEAF_SPRING-2				*		1	
14		40086290		STOPPER				*		1	
15		WP0420516KH		THRUST WASHER 4.2				*		2	
16		40086292		COLLAR_D8				*		1	
17		40086293		COLLAR_D6				*		4	
18		70001816		LEVER				*		1	
19		40086295		CONNECTING_BLOCK_A				*		1	
20		40086296		CONNECTING_BLOCK_B				*		1	
21		13440409		SPRING_FOR_UT				*		1	
22		40070110		SCREW				*		1	
23		40086298		SCREW_M1.6L6				*		2	
24		40086299		SCREW_M2L10				*		1	
25		40086300		SCREW_M2L2.3				*		2	
26		SM6030350SN		SCREW M3 L=2.5				*		2	
27		40086302		SCREW_M3L3				*		2	
28		40086303		SCREW_M4X0.5L4				*		4	
29		SM1020450TP		SCREW M2 L=4				*		2	
30		NM6040001SP		NUT M4X0.7				*		1	
31		SM6020250TP		SCREW.				*		2	
32		WP0431005SP		PLAIN WASHER 4.3X12X1				*		1	
33		70001822		THREAD_TAKE_UP_UT				*		1	
34		SM6020350SP		SCREW M2 L=2.5				*		1	
35		NM6050001SP		NUT M5				*		2	
36		SM6850400SP		SCREW M2.5 L=4				*		2	
37		WP0250516SD		WASHER 2.5X6X0.5				*		2	
38		70001827		UT_GUIDE						1	
39		SM4040655SP		SCREW M4 L=6						2	
40		SM1040800SP		SCREW						2	

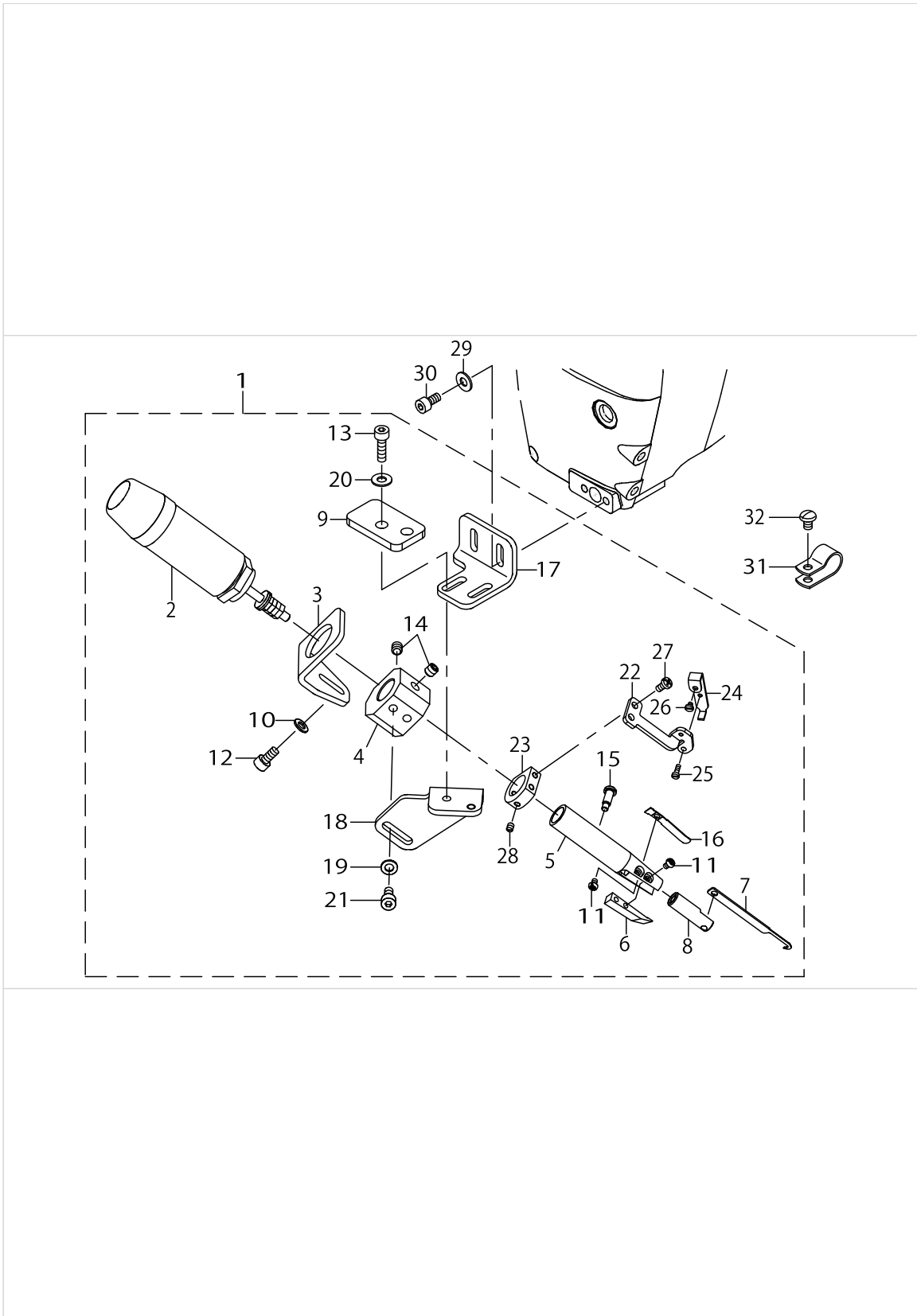
PNEUMATIC DRIVE & PRESSER FEED LIFTER COMPONENTS



PNEUMATIC DRIVE & PRESSER FEED LIFTER COMPONENTS

No.	Supply Code	Parts No.	Replacement	Parts name	Remarks	Choice	Step	Level	Cons	Qty	Rep. QTY
1		13442900		COLLAR						1	
2		40040271		UT_SOLENOID_ASSY						1	
3		40026935		SOLENOID_BRACKET						1	
4		SM6051002TP		SCREW M5X0.8 L=10						4	
5		WP0550800SP		WASHER 5.5X10X0.8						4	
6		SM6061010TP		SCREW M6 L=10						4	
7		WP0621016SD		WASHER 6.2X13X1						4	
8		40039670		SOLENOID_COVER						1	
9		SM4050655SP		SCREW M5 L=6						2	
10		WP0550800SP		WASHER 5.5X10X0.8						2	
11		40040662		UT_SOLENOID_BASE						1	
12		40040661		BUSHING_UT_SHAFT						1	
13		40038380		BUSHING_UT_SHAFT_RIGHT						1	
14		40097664		CONN_BLOCK						1	
15		40039669		MAGNET_PIN						1	
16		B1515210D00		PIN						1	
17		WP0560860SE		WASHER 5.6X12X0.8						1	
18		13442702		PIN						1	
19		40097665		UT_SHAFT						1	
20		SM6061402TP		SCREW M6 L=14						1	
21		CS0800881TP		THRUST COLLAR						1	
22		SM8050412TP		SCREW M5 L=4						2	
23		40042567		SPRING						1	
24		13443601		WASHER						1	
25		13442900		COLLAR						1	
26		SM6051002TP		SCREW M5X0.8 L=10						2	
27		13443007		PLATE HOLDER						1	
28		SM6061202TP		SCREW M6 L=12						1	
29		70001777		SENSOR HOLDER						1	
30		SM4040655SP		SCREW M4 L=6						2	
31		13443205		SWITCH_PLATE						1	
32		SM4040655SP		SCREW M4 L=6						2	
33		40019322		TENS_RELEASE_PLATE_UT						1	
34		SM4040855SP		SCREW						2	
35		40038259		WASHER						1	
36		70001479		TENSION_RELEASE_LEVER						1	
37		SM6041202TP		SCREW M4X0.7 L=12						1	
38		SD0700706TP		SHOULDER SCREW						1	
39		40021746		UNDER_TRIMMER_S- SENSOR_CABLE_ASM						1	
40		SM4030855SN		SCREW M3 L=8.0						1	
41		SM6061602TP		SCREW M6 L=16						3	
42		22901805		GROUND MARK						1	
43		HX00150000D		CABLE CLIP						3	
44		SM4040655SP		SCREW M4 L=6						3	
45		WT0430002KN		WASHER M4						1	
46		SM4040501SN		SCREW M4X0.7 L=5						1	

# TOP COVER THREAD TRIMMER COMPONENTS

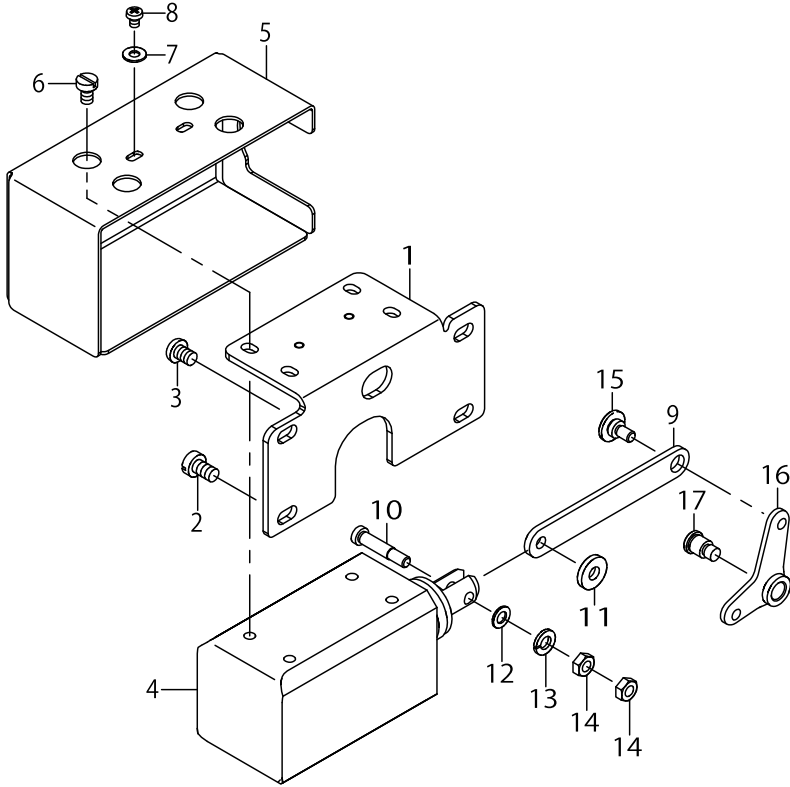


TOP COVER THREAD TRIMMER COMPONENTS

No.	Supply Code	Parts No.	Replacement	Parts name	Remarks	Choice	Step	Level	Cons	Qty	Rep. QTY
1		70001803		U_L_THREAD_TRIMMER_ASSY						1	
2		70001789		SOLENOID						1	
3		70001797		SOLENOID_BRACKET				*		1	
4		70001798		BLOCK				*		1	
5		70001972		KNIFE HOLDER				*		1	
6	R	13458500	40058211	LOWER_KNIFE		A		*		1	1.00
6	R	13458500	40029004	LOWER_KNIFE		A		*		1	1.00
7		40065510		MOVING_KNIFE				*		1	
8		70001804		MOVING_KNIFE HOLDER				*		1	
9		70003601		SPACER				*		1	
10		WP0430800SC		WASHER M4				*		2	
11		SM4850455SP		SCREW				*		3	
12		SM6040802TN		SCREW				*		2	
13		SM6041402TP		SCREW M4 L=14				*		2	
14		SM8050512TP		SCREW				*		2	
15		70001782		SHOULDER_SCREW				*		1	
16		13458401		SPRING				*		1	
17		70001783		BRACKET_2				*		1	
18		70001784		BRACKET				*		1	
19		WP0430800SC		WASHER M4				*		2	
20		WP0450826SC		WASHER 4.5X10X0.8				*		1	
21		SM6040802TN		SCREW				*		4	
22		70001969		SOLENOID_BRACKET				*		1	
23		70001970		COLLAR				*		1	
24		70001971		TENSION_LEVER				*		1	
25		SM6020600TP		SCREW				*		1	
26		SM6020350SP		SCREW M2 L=2.5				*		1	
27		SM4030655SP		SCREW				*		2	
28		SM8030450SP		SCREW M3 L=4				*		2	
29		WP0450826SC		WASHER 4.5X10X0.8						2	
30		SM6040802TN		SCREW						2	
31		HX00150000D		CABLE CLIP						2	
32		SM4040655SP		SCREW M4 L=6						2	



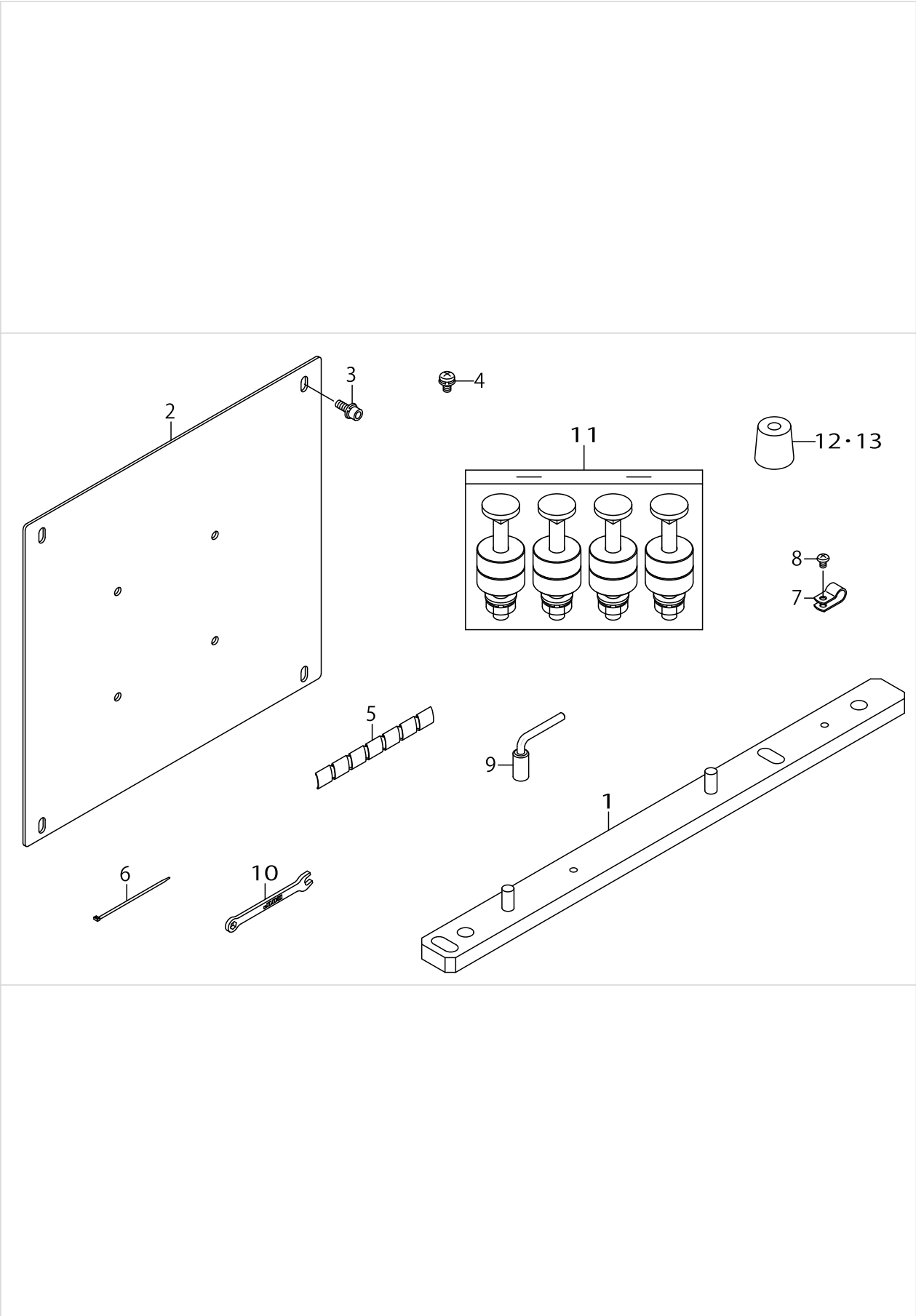
AK SOLENOID COMPONENTS



AK SOLENOID COMPONENTS

No.	Supply Code	Parts No.	Replacement	Parts name	Remarks	Choice	Step	Level	Cons	Qty	Rep. QTY
1		70001792		AK_SOLENOID_BASE						1	
2		SM6061010TP		SCREW M6 L=10						4	
3		SM4060801SE		SCREW						2	
4		70001805		AK_SOLENOID						1	
5		70001793		SOLENOID_COVER						1	
6		SM6050800SP		SCREW M5 L=8						4	
7		WP0450801SC		WASHER 4.5X10X0.8						2	
8		SM4040501SN		SCREW M4X0.7 L=5						2	
9		70001795		AK_SOLENOID_LINK						1	
10		40086759		BACK_SOLENOID_PLUNGER_PIN						1	
11		WP0612516SD		WASHER 6.1X15.2X2.5						1	
12		WP0550800SP		WASHER 5.5X10X0.8						1	
13		WS0610002KN		SPRING WASHER 6.1X12.2X1.5						1	
14		NM6050001SP		NUT M5						2	
15		SD0800327TP		SHOULDER SCREW						1	
16		70001779		AK_SOLENOID_LEVER						1	
17		SD0800706TP		SHOULDER SCREW D=8 H=7						1	

ACCESSORIES PARTS COMPONENTS



ACCESSORIES PARTS COMPONENTS

No.	Supply Code	Parts No.	Replacement	Parts name	Remarks	Choice	Step	Level	Cons	Qty	Rep. QTY
1		70001843		SUPPORT_PLATE_ASSY						2	
2		40094198		SC BRACKET						1	
3		SL6051492TN		BOLT						4	
4		SL4051091SC		SCREW M5X0.8 L=10						4	
5		HX00314000A		SPIRAL TUBE						1	
6		EA9500B0100		CABLE BAND						1	
7		HX00150000C		CABLE CLIP						1	
8		SM4040655SP		SCREW M4 L=6						1	
9		40073360		WRENCH						1	
10		13160106		SPANNER (5X6)						1	
11		13348966		ASSY BOLT SET						1	
12		40072505		ISOLATOR						2	
13		13155403		ISOLATOR						2	

## HOW TO MAKE USE OF THIS PARTS LIST

- 1.As to "#01" and "#02" refer to the "Note" given at the bottom of the respective pages.
- 2.Codes on the "Qty" column
  - Each numeral indicates the number of parts required.
  - "0.1" and "2.5" indicate the length (in meters) of the respective parts.
- 3.Parentheses mean that the corresponding part is a subpart that constructs an assembly part.
- 4.Dotted lines on the Figures indicate assembly parts.

1. リストページの# 0 1、# 0 2の印は、ページ下の“注記”の説明を参照下さい。
2. 数量欄の数字は、個数を表し、0. 1、2. 5等の数値は、長さ（単位メートル）を表します。
3. 数量欄の（ ）は、組部品を構成している子部品であることを意味します。
4. イラストページの-----枠は、組構成であることを意味します。

ALL PARTS NOT MENTIONED IN THIS PARTS LIST ARE SAME AS THOSE OF  
MODEL MF-7500. OTHER PARTS LIST RELATED TO THIS MODEL.  
\*MF-7500. (NO.1596 PART NO.70002001)

このパーツリスト記載以外の部品はMF-7900.と共通です。  
この機種に関連するパーツリストとして下記のパーツリストがあります。  
\*MF-7500. (NO.1596 品番70002001)

# NUMERICAL INDEX OF PARTS

PART NO	PAGE	REF NO.	PART NO	PAGE	REF NO.	PART NO	PAGE	REF NO.
13140504	8	4	40038380	12	13	40119461	4	63
13155403	18	12·13	40039669	12	15	70001413	4	59
13160106	18	10	40039670	12	8	70001414	2	29
13301809	2	25	40040271	12	2	70001415	2	13
13302104	2	53	40040661	12	12	70001418	2	41
13302104	4	53	40040662	12	11	70001420	2	1
13302203	2	24	40042363	8	8	70001423	2	15
13302302	2	49	40042364	8	9	70001424	2	18
13302302	4	49	40042365	8	10	70001426	2	26
13302708	2	46	40042366	8	11	70001428	4	72
13304209	4	54	40042567	12	23	70001431	2	27
13304308	2	48	40065510	14	7	70001434	6	16
13304308	4	48	40065785	8	1	70001446	6	15
13305107	2	45	40070110	10	22	70001447	6	25
13307509	6	13	40072505	18	12·13	70001448	6	26
13308457	6	8	40073360	18	9	70001451	6	35
13308507	6	32	40082196	2	21	70001453	6	39
13308705	6	28	40086274	10	3	70001455	6	2
13308804	6	1	40086277	10	7	70001457	4	66
13324108	6	23	40086278	10	8	70001458	6	31
13337100	6	19	40086279	10	9	70001479	12	36
13340302	8	5	40086280	10	10	70001484	2	4
13348966	18	11	40086282	10	11	70001599	6	18
13409800	2	28	40086290	10	14	70001600	6	17
13426903	4	70	40086292	10	16	70001612	8	3
13440409	10	21	40086293	10	17	70001613	8	17
13441902	10	13	40086295	10	19	70001614	8	18
13442702	12	18	40086296	10	20	70001615	8	15
13442900	12	25	40086298	10	23	70001616	8	16
13443007	12	27	40086299	10	24	70001617	8	14
13443205	12	31	40086300	10	25	70001618	8	20
13443601	12	24	40086302	10	27	70001620	8	7
13456108	8	23	40086303	10	28	70001621	8	21
13456207	8	24	40086308	10	12	70001659	2	44
13456405	8	28	40086759	16	10	70001777	12	29
13456603	8	27	40094198	18	2	70001779	16	16
13458401	14	16	40097664	12	14	70001782	14	15
13458500	14	6	40097665	12	19	70001783	14	17
22901805	12	42	40099371	2	37	70001784	14	18
26019000	8	6	40101602	8	12	70001789	14	2
40018922	6	10	40102003	8	13	70001792	16	1
40019322	12	33	40112105	6	5	70001793	16	5
40021746	12	39	40112106	6	6	70001795	16	9
40026935	12	3	40112107	6	7	70001797	14	3
40038259	12	35	40118009	6	3	70001798	14	4

# NUMERICAL INDEX OF PARTS

PART NO	PAGE	REF NO.	PART NO	PAGE	REF NO.	PART NO	PAGE	REF NO.
70001803	14	1	SD0800706TP	16	17	SM6041402TP	14	13
70001804	14	8	SL4051091SC	18	4	SM6050800SP	2	23
70001805	16	4	SL6042092TN	4	64	SM6050800SP	16	6
70001815	10	1	SL6051492TN	18	3	SM6051002TP	6	45
70001816	10	18	SL6052592TN	6	4	SM6051002TP	12	26
70001817	10	2	SM1020450TP	10	29	SM6051400SP	2	39
70001818	4	60	SM1030501SN	2	11	SM6061010TP	12	6
70001820	10	6	SM1040800SP	2	7	SM6061010TP	16	2
70001821	10	4	SM1040800SP	10	40	SM6061202TP	12	28
70001822	10	33	SM4030655SP	14	27	SM6061402TP	6	21
70001823	2	3	SM4030855SN	12	40	SM6061402TP	12	20
70001824	10	5	SM4040501SN	12	46	SM6061602TP	12	41
70001825	2	8	SM4040501SN	16	8	SM6850400SP	10	36
70001826	4	61	SM4040555SP	4	51	SM8030412TP	8	26
70001827	10	38	SM4040655SP	2	56	SM8030450SP	14	28
70001843	18	1	SM4040655SP	4	56	SM8040360TP	8	29
70001969	14	22	SM4040655SP	6	36	SM8040412TP	2	50
70001970	14	23	SM4040655SP	8	22	SM8040412TP	4	50
70001971	14	24	SM4040655SP	10	39	SM8040412TP	6	22
70001972	14	5	SM4040655SP	12	44	SM8050412TP	6	46
70003278	6	30	SM4040655SP	14	32	SM8050412TP	12	22
70003317	6	44	SM4040655SP	18	8	SM8050512TP	14	14
70003601	14	9	SM4040855SP	12	34	SM8060552TP	6	34
70004184	6	43	SM4041055SP	4	55	SM8060612TP	6	40
B1515210D00	12	16	SM4041055SP	6	29	SM8060812TP	6	37
CS0800881TP	12	21	SM4041055SP	8	19	SM8060842TP	6	38
EA9500B0100	18	6	SM4041655SP	8	2	TA0400301M0	4	69
HX00150000C	18	7	SM4050655SP	12	9	TA0850604R0	2	47
HX00150000D	12	43	SM4051055SP	6	20	TA0850604R0	4	47
HX00150000D	14	31	SM4051455SP	4	65	TA1050504R0	2	71
HX00314000A	18	5	SM4060801SE	16	3	TA1050504R0	4	71
HX00314000D	2	10	SM4850455SP	14	11	TA2050416R0	2	68
NM6040000SN	4	57	SM6020250TP	10	31	TA2050416R0	4	68
NM6040001SP	10	30	SM6020350SP	10	34	TA2101002R0	4	67
NM6050001SP	10	35	SM6020350SP	14	26	WP0250516SD	10	37
NM6050001SP	16	14	SM6020600TP	14	25	WP0420516KH	10	15
RC1900002KP	2	9	SM6030350SN	10	26	WP0430800SC	14	19
RE0300000K0	2	42	SM6030800SP	2	38	WP0431005SP	10	32
RE0300000K0	8	30	SM6040600SP	4	58	WP0450801SC	16	7
RO148240200	6	42	SM6040750TP	2	22	WP0450826SC	14	29
SB110002300	6	27	SM6040800SP	2	14	WP0531000SC	2	31
SB120001500	6	41	SM6040802TN	14	30	WP0550800SP	2	43
SD0640216TP	4	62	SM6041000SP	2	12	WP0550800SP	12	10
SD0700706TP	12	38	SM6041002TP	2	6	WP0550800SP	16	12
SD0800327TP	16	15	SM6041202TP	12	37	WP0560860SE	12	17

## NUMERICAL INDEX OF PARTS

PART NO	PAGE	REF NO.
WP0612516SD	16	11
WP0621016SD	12	7
WS0510002KP	2	30
WS0510002KP	6	24
WS0610002KN	16	13
WT0430002KN	12	45
WZ0641510KP	2	2