

MODEL : AMS-224EN6060/IP-420

List No : 1594-00

# PARTS LIST

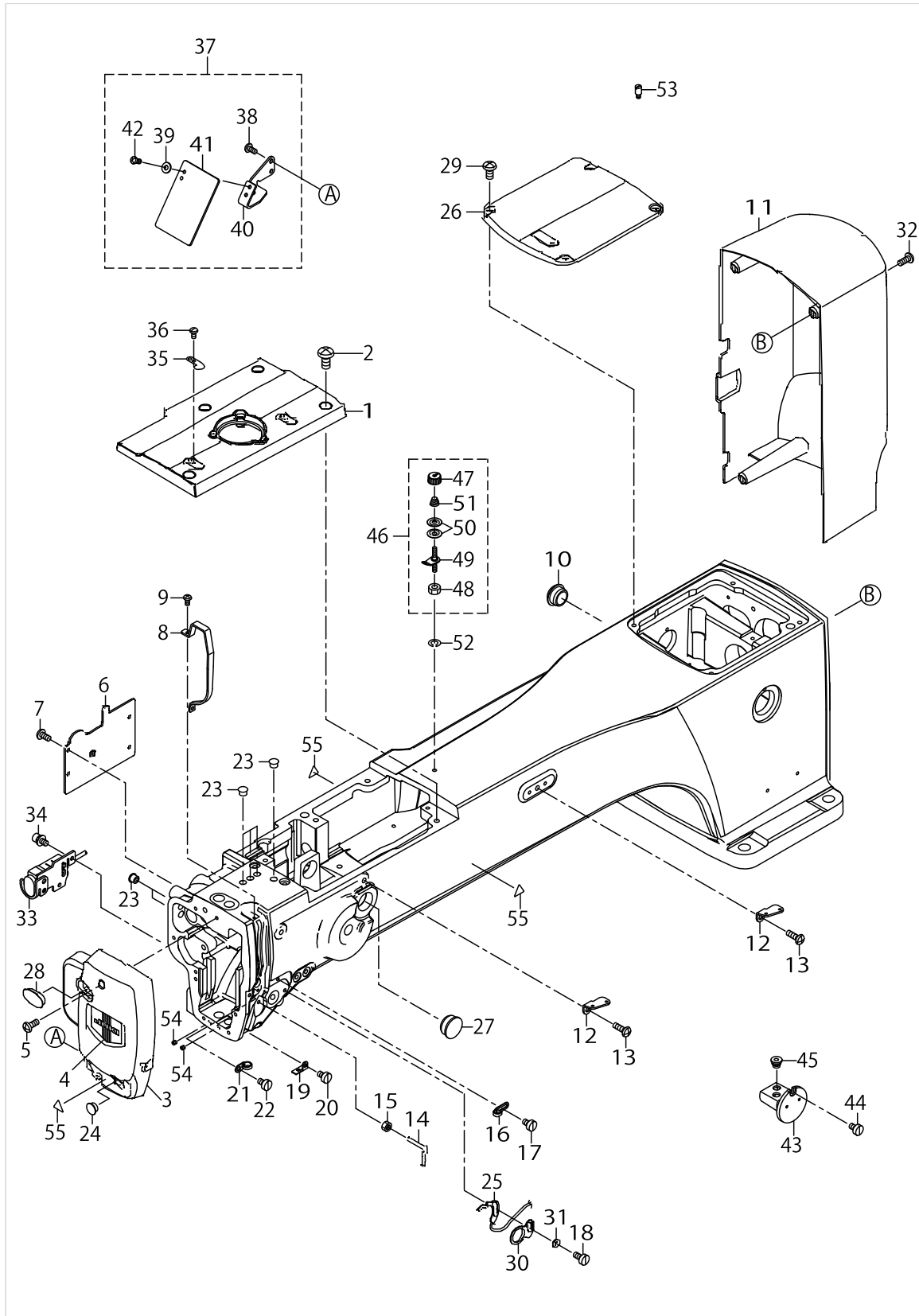
Published:05/12/2017

## CONTENTS

---

FRAME & MISCELLANEOUS COVER COMPONENTS (1) .....	1
FRAME & MISCELLANEOUS COVER COMPONENTS (2) .....	5
FRAME & MISCELLANEOUS COVER COMPONENTS (3) .....	7
FRAME & MISCELLANEOUS COVER COMPONENTS (4) .....	9
MAIN SHAFT & NEEDLE BAR COMPONENTS .....	13
PRESSER MECHANISM & PRESSER VARIABLE COMPONENTS (1) .....	17
PRESSER MECHANISM & PRESSER VARIABLE COMPONENTS (2) .....	21
SHUTTLE DRIVER SHAFT COMPONENTS (1) .....	25
SHUTTLE DRIVER SHAFT COMPONENTS (2) .....	29
TENSION RELEASE & THREAD TENSION COMPONENTS .....	33
THREAD TRIMMER MECHANISM COMPONENTS .....	37
THREAD CLAMP COMPONENTS .....	41
X-Y COMPONENTS (1) .....	43
X-Y COMPONENTS (2) .....	47
X-Y COMPONENTS (3) .....	51
PNEUMATIC COMPONENTS .....	57
THREAD STAND COMPONENTS(Accessorie Parts) .....	59
OPERATION PANEL COMPONENTS .....	61
CONTROL BOX COMPONENTS .....	65
WIRING DIAGRAM .....	69
ACCESSORIE PARTS COMPONENTS .....	73
OPTIONAL PARTS COMPONENTS .....	75
HOW TO MAKE USE OF THIS PARTS LIST .....	77

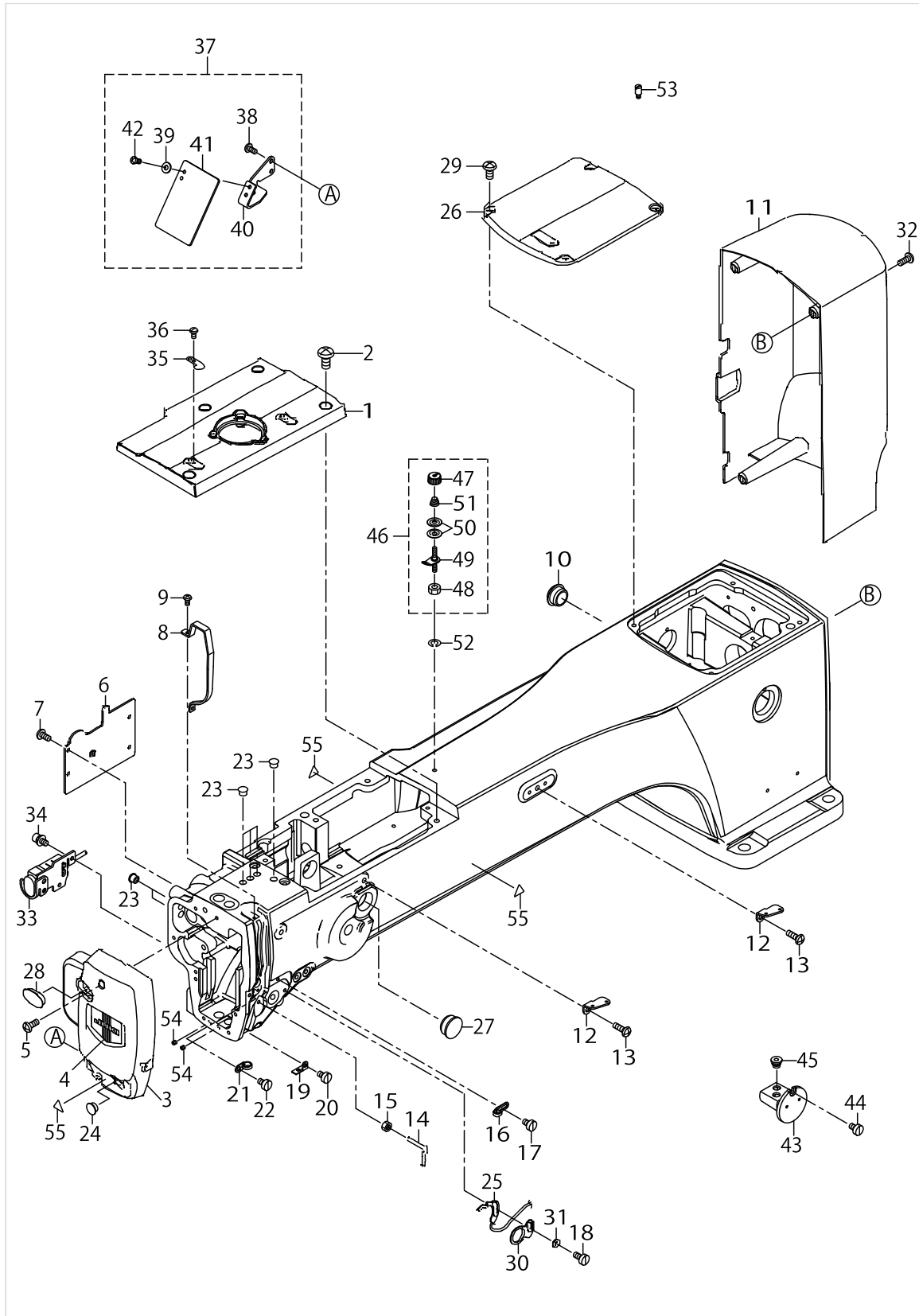
FRAME & MISCELLANEOUS COVER COMPONENTS (1)



FRAME & MISCELLANEOUS COVER COMPONENTS (1)

No.	Supply Code	Parts No.	Replacement	Parts name	Remarks	Choice	Step	Level	Cons	Qty	Rep. QTY
1		40032158		TOP_COVER_FRONT						1	
2		SM4061255SP		SCREW M6 L=12						4	
3		40026979		FACE_COVER						1	
4		22902506		FACE PLATE						1	
5		SM4041055SP		SCREW						2	
6		40024999		PRESSER_COVER						1	
7		SM4040855SP		SCREW						4	
8		40030828		THREAD_TAKE_UP_LEVER_COVER						1	
9		SM4030601SN		SCREW M3 X 6						2	
10		TA2100904R0		RUBBER PLUG						1	
11		40027971		MOTOR_COVER						1	
12		26211904		THREAD GUIDE PLATE						2	
13		SM4061255SP		SCREW M6 L=12						2	
14		40025414		L_SHAPED_THREAD_GUIDE						1	
15		NM6040000SN		NUT M4						1	
16		22920508		ARMTHREADGUIDEA						1	
17		SM6040650TP		SCREW						1	
18		SM6040860TP		SCREW M4 L=8						1	
19		B1129210000		FRAME THREAD GUIDE (B)						1	
20		SM6040650TP		SCREW						1	
21		13705108		TAKE-UP THREAD GUIDE B						1	
22		SM6040650TP		SCREW						1	
23		TA0850604R0		RUBBER PLUG						6	
24		TA1050504R0		RUBBER PLUG						1	
25		40073678		THB SENSOR CABLE ASM.						1	
26		40032159		TOP_COVER_REAR						1	
27		TA2351004R0		RUBBER PLUG						1	
28		40028877		FACE_COVER_CAP						1	
29		SM4051055SP		SCREW						4	
30		40028834		GUIDE_PLATE						1	
31		40028835		BUSHING						1	
32		SM4041055SP		SCREW						4	
33		40073676		STOP SW ASM						1	
34		SL6040892TN		BOLT						2	
35		10502300		THREAD CUTTER						1	
36		SM4030601SN		SCREW M3 X 6						1	
37		40006484		SAFETY PLATE COMPL.						1	
38		SM4040855SP		SCREW				*		2	
39		WP0450801SD		WASHER 4.5X10X0.8				*		2	
40		40051987		SAFETY PLATE BASE				*		1	
41	R	B3120372000	26037200	SAFETY PLATE				*		1	1.00
42		SM4040655SP		SCREW M4 L=6				*		2	
43		40006836		OIL TANK ASM.						2	
44		SM6040650TP		SCREW						2	
45		40006840		RUBBER BUSH						4	
46		14113468		BOBBIN THREAD TENSION ASM.						1	

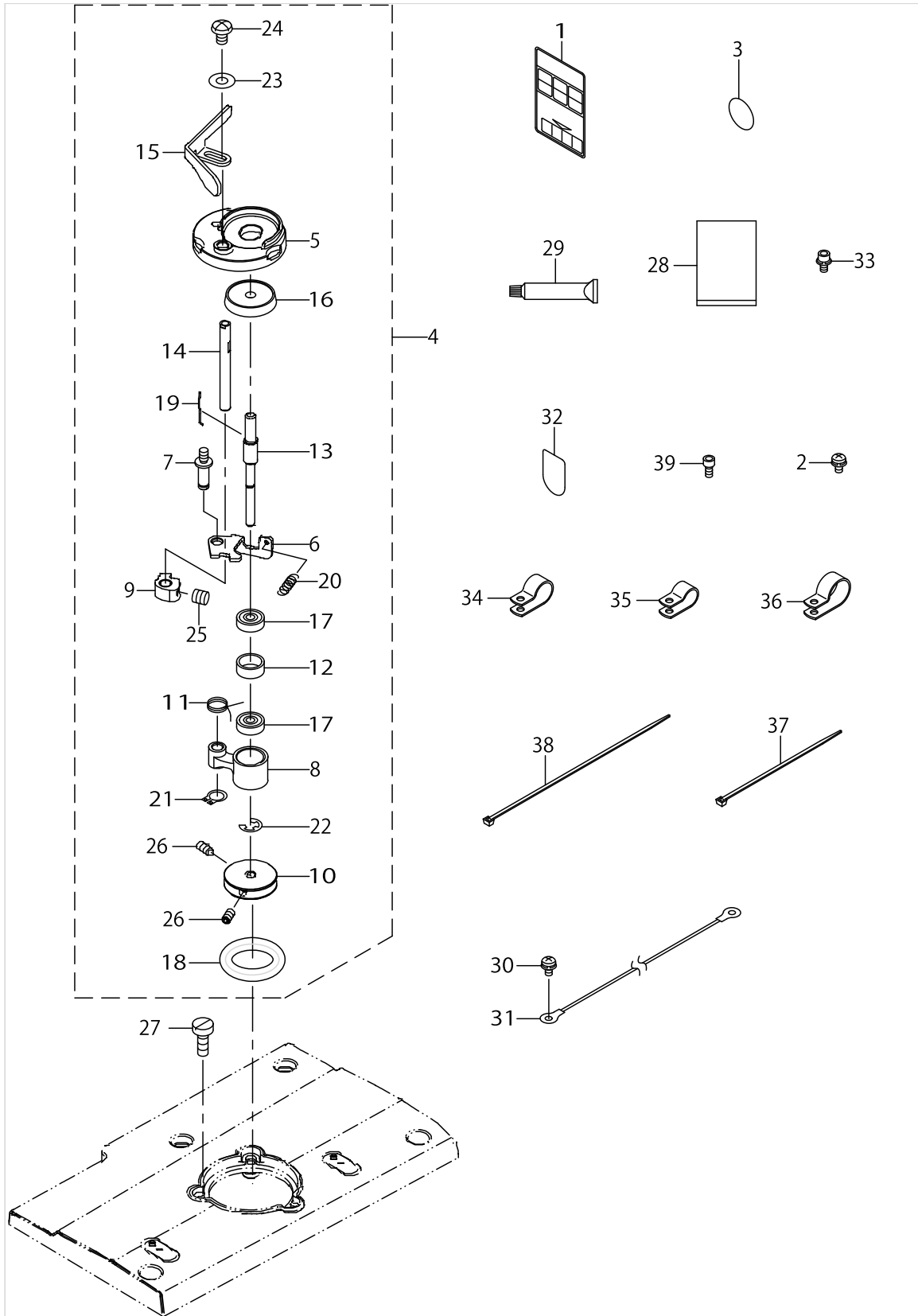
FRAME & MISCELLANEOUS COVER COMPONENTS (1)



FRAME & MISCELLANEOUS COVER COMPONENTS (1)

No.	Supply Code	Parts No.	Replacement	Parts name	Remarks	Choice	Step	Level	Cons	Qty	Rep. QTY
47		11072402		THREAD TENSION NUT				*		1	
48		NS6110310SP		NUT 11/64-40				*		1	
49		14113450		BOBBIN THREAD T- ENSION ROD ASM.				*		1	
50	R	B3126012000	22921506	THREAD TENSION DISK				*		2	1.00
51		D7133555B00		CONNECTING ROD SPRING				*		1	
52		WS0451040KP		SPRING WASHER 4.5X8.5X1						1	
53		B1114280000		PIN						1	
54		SM8040412TP		SET SCREW M4 L=4						2	
55		CM300200003		ATTENTION LABEL						3	

FRAME & MISCELLANEOUS COVER COMPONENTS (2)

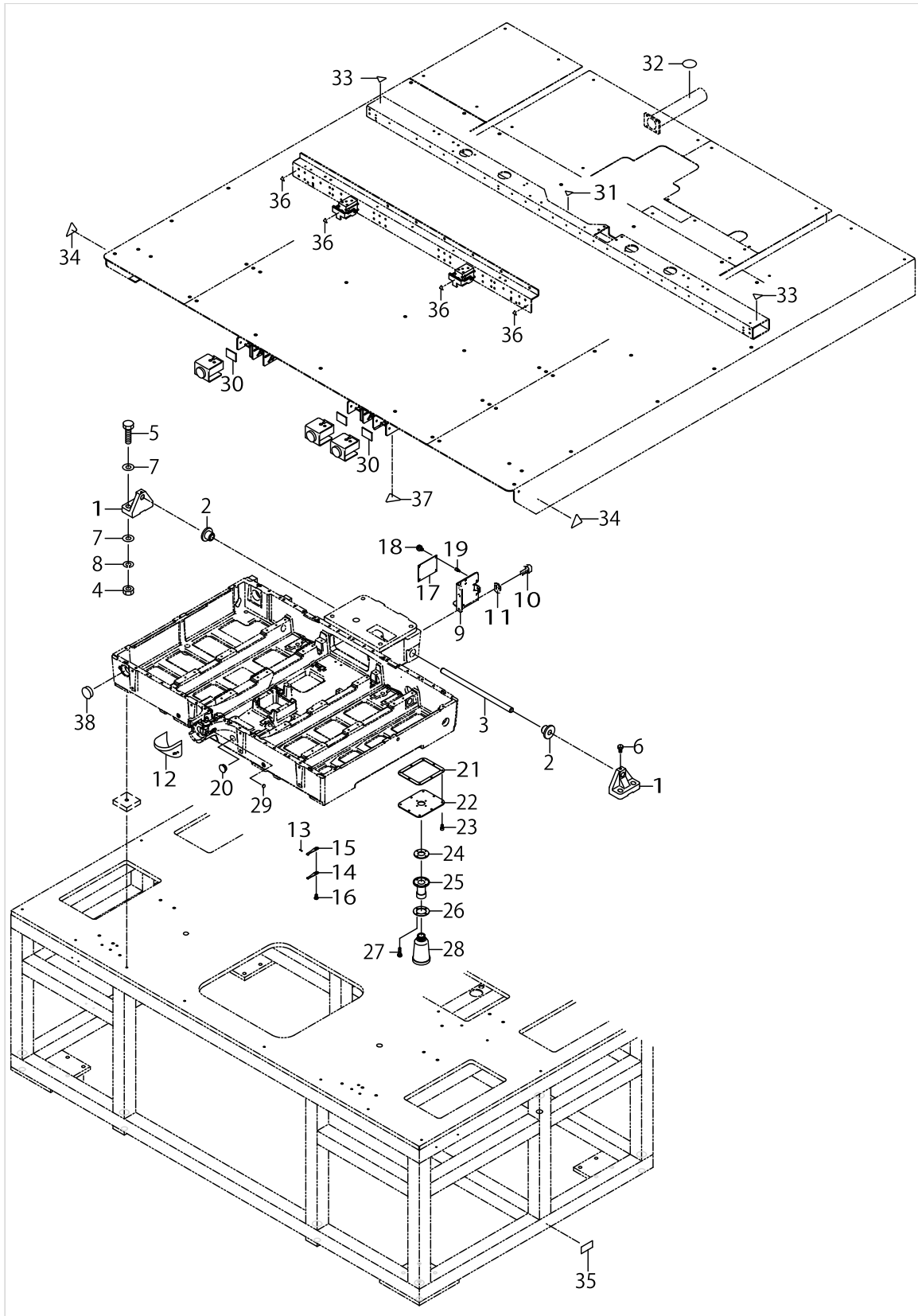


FRAME & MISCELLANEOUS COVER COMPONENTS (2)

No.	Supply Code	Parts No.	Replacement	Parts name	Remarks	Choice	Step	Level	Cons	Qty	Rep. QTY
1		CM301200001		SAFETY LABEL_S						2	
2		SL4040891SC		SCREW M4 L=8						12	
3		22901805		GROUND MARK						1	
4		40028338		BOBBIN_WINDER_UNIT						1	
5	R	26260109	26260000	BTW_BASE				*		1	1.00
6		26260208		BTW_CAM_PLATE				*		1	
7		26260307		BTW_BASE_SHAFT				*		1	
8		26260406		BTW_SHAFT_BASE				*		1	
9		26260505		BTW_CAM_LEVER				*		1	
10		26260604		BTW_WHEEL				*		1	
11		26260703		BTW_TORSION_SPRING				*		1	
12	R	26260802	26260000	BTW_BEARING_SPACER				*		1	1.00
13		40023865		BTW_SHAFT				*		1	
14	D	40023866		BTW_LEVER_SHAFT				*		1	
15		40030829		BTW_LEVER				*		1	
16		26261206		BTW_SPACER				*		1	
17	R	26261305	26260000	BTW_BEARING				*		2	1.00
18		26261503		BTW_WHEEL_RUBBER				*		1	
19		26261602		BOBBIN_SPRING				*		1	
20		26261701		BTW_SPRING				*		1	
21		RC0560711KP		RETAINING RING				*		1	
22		RE0400000K0		E-RING 4				*		1	
23		WP0450826SC		WASHER 4.5X10X0.8				*		1	
24		SM5040655SN		SCREW				*		1	
25		SM8050502TP		SCREW M5 L=5				*		1	
26		SM8040802TP		SCREW M4X8				*		2	
27		SM6041150TP		SCREW						3	
28		40031336		FLAT_BAG						1	
29		40013640		JUKI_GREASE_B_TUBE						1	
30		SL4040891SC		SCREW M4 L=8						1	
31		14115554		HEAD GROUND CABLE A ASM.						1	
32		CM100100001		OIL INJECTION PROHIBITION LABEL						1	
33		SL6040892TN		BOLT						3	
34		HX00150000F		CABLE CLIP						4	
35		HX00150000D		CABLE CLIP						10	
36		HX00150000H		CABLE CLIP						3	
37		EA9500B0100		CABLE BAND						3	
38		EA9500B0200		CABLE BAND 150						5	
39		SM6040802TP		SCREW M4X0.7 L=8						5	



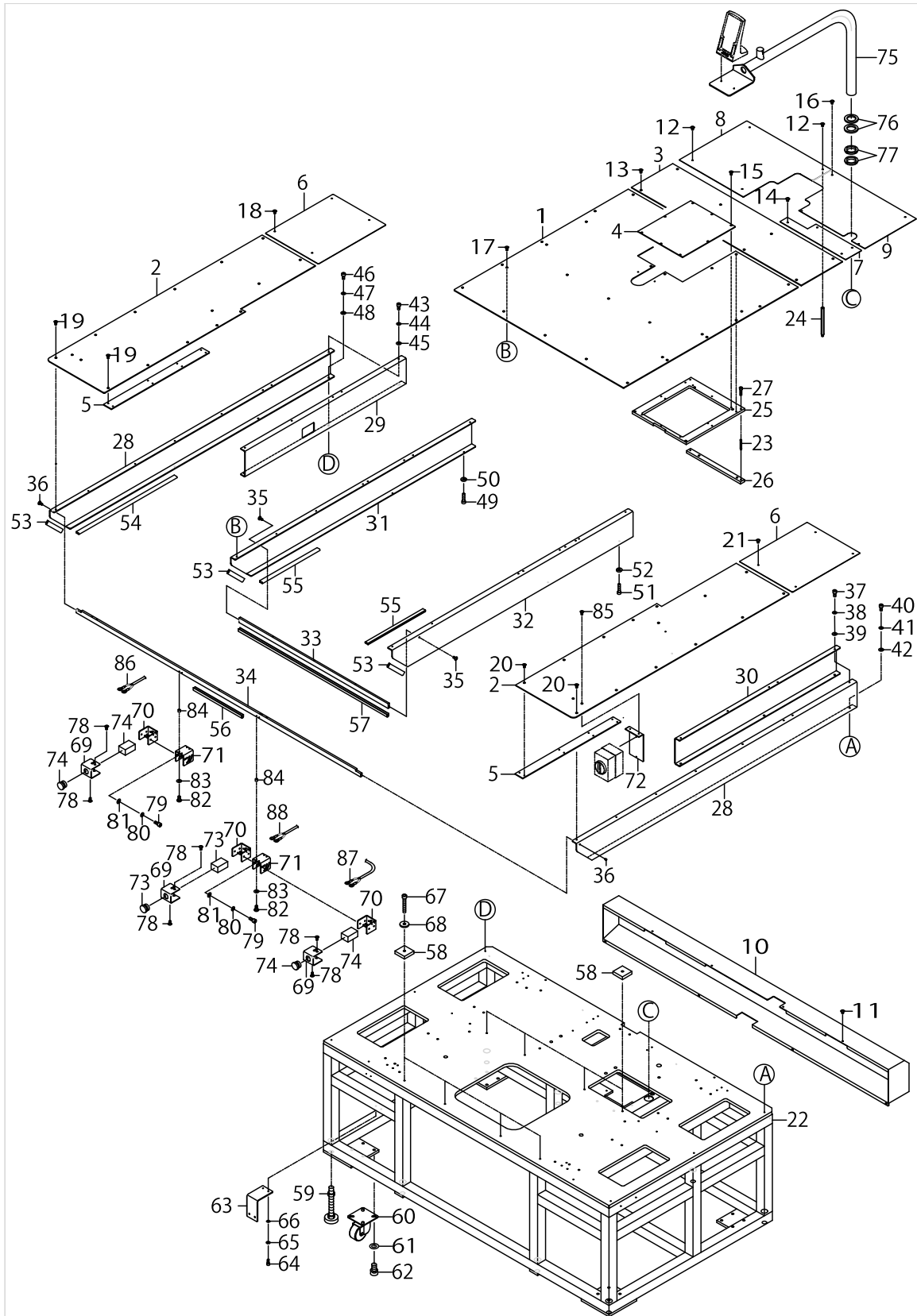
FRAME & MISCELLANEOUS COVER COMPONENTS (3)



FRAME & MISCELLANEOUS COVER COMPONENTS (3)

No.	Supply Code	Parts No.	Replacement	Parts name	Remarks	Choice	Step	Level	Cons	Qty	Rep. QTY
1		B1111220000A		BED HINGE						2	
2		B1115220000		RUBBER PAD A						2	
3		B1120223C00		HING SHAFT						1	
4		NM6120011SF		NUT M12						4	
5		SM9124503SB		SCREW M12 L=45						4	
6		SS9151240SN		SCREW 15/64-28 L=11.5						2	
7		WP1302501SE		WASHER M12						8	
8		WS1253010KN		SPRING WASHER 12.5X21.5X3						4	
9		40024997		LIFTER_BASE						1	
10		SM6061202TP		SCREW M6 L=12						2	
11		WP0641601SC		WASHER						2	
12	R	13816855	40142674	CYLINDER ARM CAP						1	1.00
13		31262801		PIN						1	
14		26221200		HOOK COVER PRESSER SPRING B						1	
15		26221101		HOOK COVER PRESSER SPRING A						1	
16		SL4041091SC		SCREW M4 L=10						1	
17		40040230		INT PCB ASM						1	
18		SL4040891SC		SCREW M4 L=8						4	
19		HX003390000		STUD						4	
20		TA2100904R0		RUBBER PLUG						1	
21		40072213		OIL_PAN_GASKET						1	
22		40072212		OIL_PAN						1	
23		SM6040802TP		SCREW M4X0.7 L=8						8	
24		B8112220000		OIL SEAL						1	
25		B8202205000		OIL MANAGEMENT						1	
26		B8111220000		WASHER						1	
27		SL4031481SC		SCREW M3 X 14						4	
28		B9121012000		OIL CAN						1	
29		TA0750404R0		PLUG D=7.5 L=3.5						1	
30		40123401		CUSHION¥n¥nBLOCK						3	
31		CM300200003		ATTENTION LABEL						1	
32		CM100300001		MUST NOT HOLD LABEL						1	
33		CM300200003		ATTENTION LABEL						2	
34		40058949		BINDER_CAUTION_LABEL_M						4	
35		16870206		GRAVITY SEAL						3	
36		CM300200001		ATTENTION SEAL						4	
37		40058949		BINDER_CAUTION_LABEL_M						1	
38	D	HX00326000N		DOME PLUG						1	

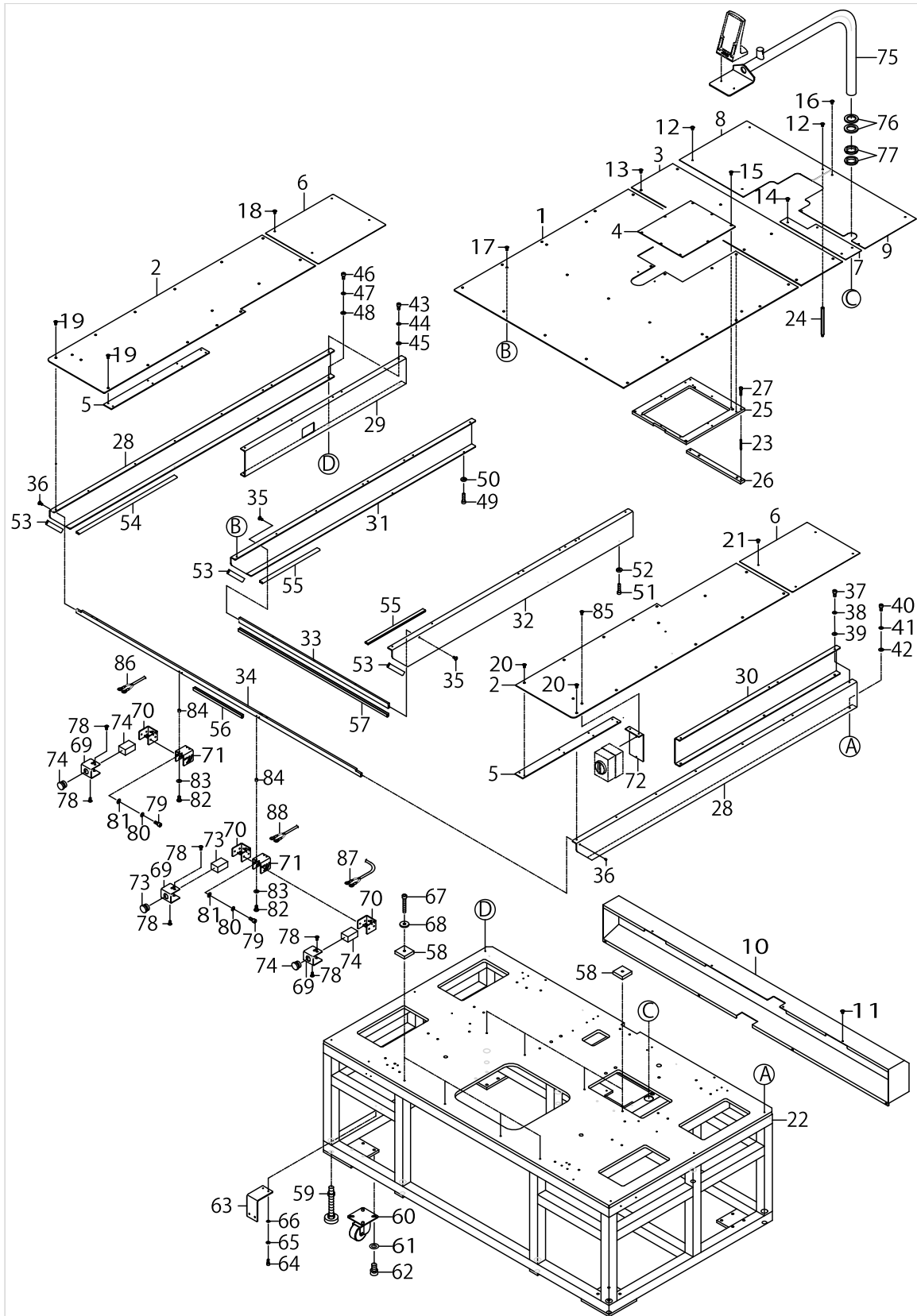
FRAME & MISCELLANEOUS COVER COMPONENTS (4)



FRAME & MISCELLANEOUS COVER COMPONENTS (4)

No.	Supply Code	Parts No.	Replacement	Parts name	Remarks	Choice	Step	Level	Cons	Qty	Rep. QTY
1		40123799		NEEDLE PLATE SUPPORT COVER1						1	
2		40123797		NEEDLE PLATE SUPPORT COVER2						2	
3		40123798		NEEDLE PLATE SUPPORT COVER3						1	
4		-		-						1	
5		40123800		CONNECTION PLATE1						2	
6		40123794		BED COVER1						2	
7		-		-						1	
8		40123795		BED COVER4						1	
9		40123796		BED COVER5						1	
10		40123793		BUCK COVER						1	
11		-		SCREW M4X6						9	
12		-		SCREW M4X6						4	
13		-		SCREW M4X6						8	
14		-		SCREW M4X6						4	
15		-		SCREW M4X8						8	
16		-		SCREW M4X6						4	
17		-		SCREW M4X8						30	
18		-		SCREW M4X6						4	
19		-		SCREW M4X8						15	
20		-		SCREW M4X8						15	
21		-		SCREW M4X6						4	
22		-		-						1	
23		-		-						4	
24		-		-						3	
25		-		-						1	
26		-		-						1	
27		-		SCREW M4X16						6	
28		-		-						2	
29		-		-						1	
30		-		-						1	
31		-		-						1	
32		-		-						1	
33		40123801		COVER SUPPORT1						1	
34		40123802		COVER SUPPORT2						1	
35		-		SCREW M4X8						2	
36		-		SCREW M4X8						2	
37		-		SCREW M5X10						6	
38		-		SW						6	
39		-		W						6	
40		-		SCREW M5X10						6	
41		-		SW						6	
42		-		W						6	
43		-		SCREW M5X10						6	
44		-		SW						6	
45		-		W						6	
46		-		SCREW M5X10						6	

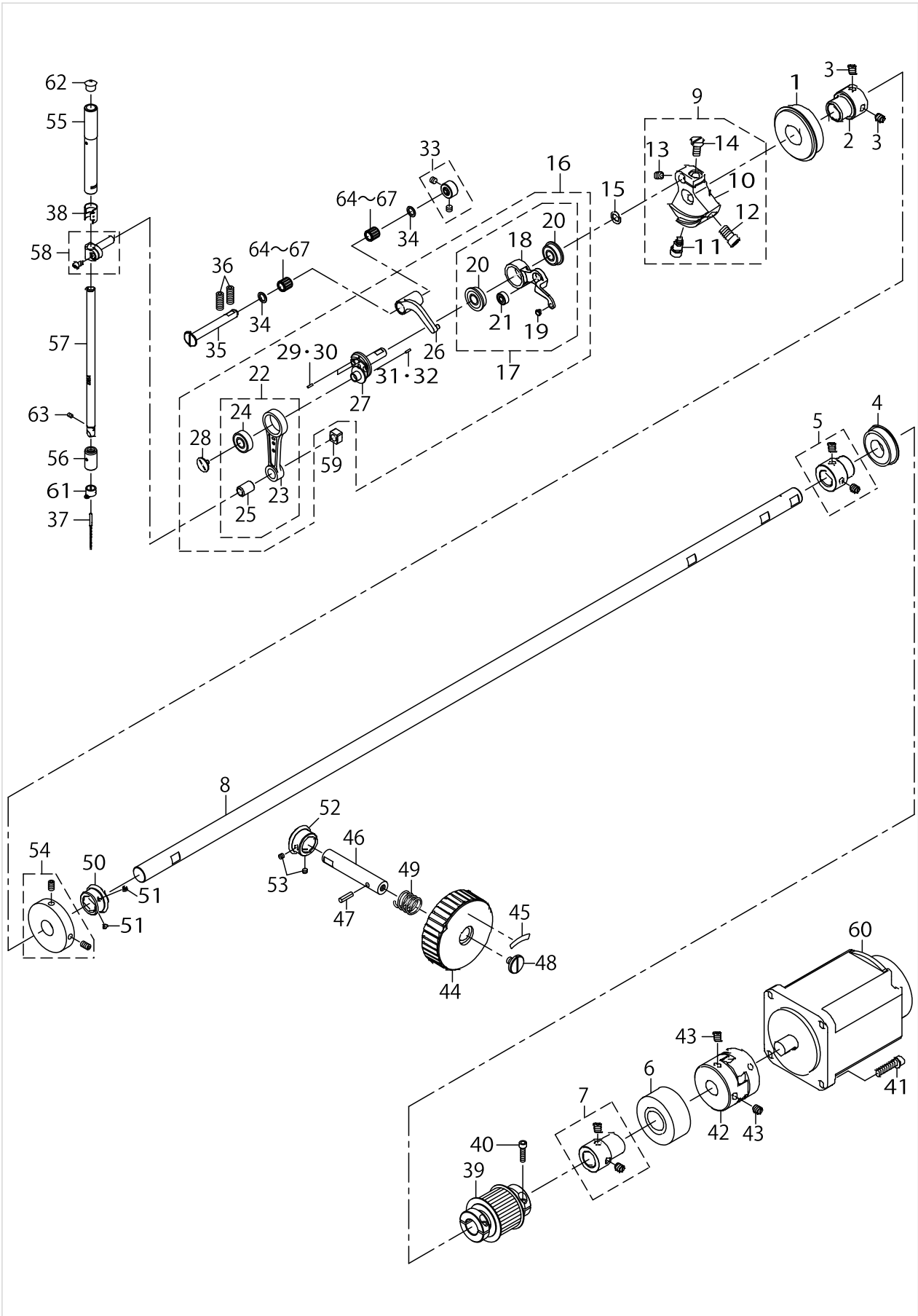
FRAME & MISCELLANEOUS COVER COMPONENTS (4)



FRAME & MISCELLANEOUS COVER COMPONENTS (4)

No.	Supply Code	Parts No.	Replacement	Parts name	Remarks	Choice	Step	Level	Cons	Qty	Rep. QTY
47		-		SW						6	
48		-		W						6	
49		-		SCREW M5X20						3	
50		-		-						3	
51		-		SCREW M5X20						3	
52		-		-						3	
53		40123402		CUSHING 1						3	
54		40123403		CUSHING 2						1	
55		40123404		CUSHING 3						2	
56		40123405		CUSHING 4						1	
57		40123406		CUSHING 5						1	
58		40123804		SPACER						8	
59		40123805		ADJUSTER BOLT						8	
60		40123806		CASTER						4	
61		-		W						16	
62		-		SCREW M10X15						16	
63		-		-						1	
64		-		SCREW M4X10						2	
65		-		SW						2	
66		-		W						2	
67		-		SCREW M6X40						8	
68		40123803		WASHER						8	
69		-		-						3	
70		-		-						3	
71		-		-						2	
72		-		-						1	
73		40123808		SWITCH						1	
74		40123809		SWITCH						2	
75		-		-						1	
76		-		-						2	
77		-		-						2	
78		-		SCREW M4X8						6	
79		-		SCREW M5X12						6	
80		-		SW						6	
81		-		W						6	
82		-		SCREW						4	
83		-		W						4	
84		-		COLLAR						4	
85		-		SCREW M4X8						2	
86		-		-						1	
87		-		-						1	
88		-		-						1	

MAIN SHAFT & NEEDLE BAR COMPONENTS

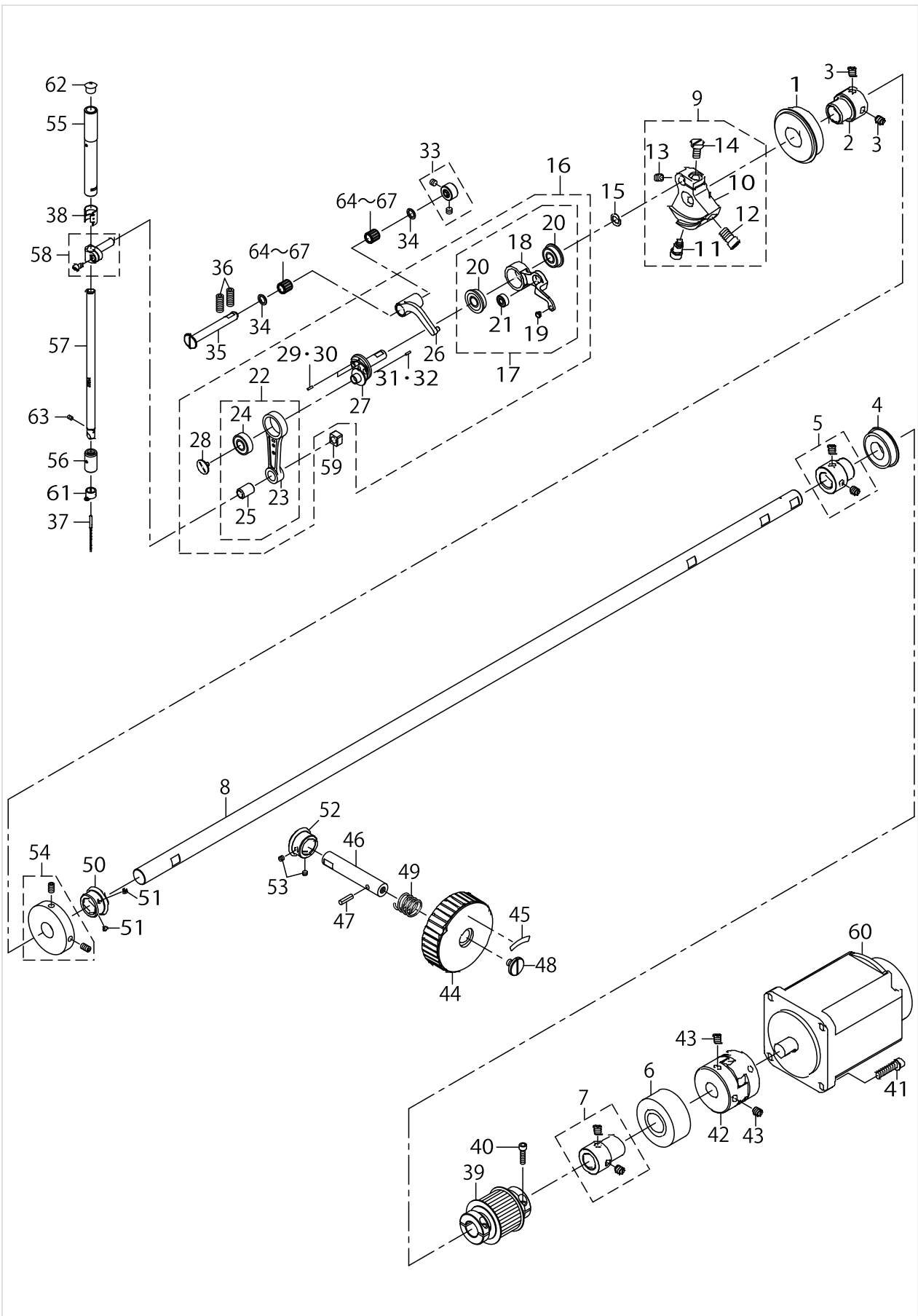


MAIN SHAFT & NEEDLE BAR COMPONENTS

No.	Supply Code	Parts No.	Replacement	Parts name	Remarks	Choice	Step	Level	Cons	Qty	Rep. QTY
1		SB120000900		BEARING						1	
2		23604200		MAIN SHAFT BEARING SUPPORT						1	
3		SM8060812TP		SCREW M6 L=8						2	
4		SB120001800		BEARING						1	
5		40010415		BEARING_BUSH_A_ASM.						1	
6		SB120001700		BEARING						1	
7		40010418		BEARING_BUSH_B_ASM.						1	
8		40072086		MAIN SHAFT						1	
9		40010422		COUNTER_WEIGHT_ASM.						1	
10	R	40010423	40010422	COUNTER_WEIGHT				*		1	1.00
11		40010424		COUNTER_WEIGHT_SCREW_A				*		1	
12		40010425		COUNTER_WEIGHT_SCREW_B				*		1	
13		40010426		COUNTER_WEIGHT_SCREW_C				*		1	
14		40010427		COUNTER_WEIGHT_SCREW_D				*		1	
15		WP0820516SP		WASHER 11.6X8.2X0.6						1	
16		40078382		THREAD_TAKE_UP_COMPL						1	
17	R	40006530	40006529	THREAD_TAKE_UP_LEVER_ASM.				*		1	1.00
18	R	40006531	40006529	THREAD_TAKE_UP_LEVER				*		1	1.00
19		B1908505000		THREAD PASS BUSH				*		1	
20		SB108002200		BEARING				*		2	
21		SB104001600		BEARING				*		1	
22		40078106		NEEDLE_BAR_CRANK- K_ROD_ALL_ASM				*		1	
23	R	40006535	40006534	NEEDLE_BAR_CRANK_ROD				*		1	1.00
24		SB108002300		BEARING				*		1	
25	R	22891006	22890958	NEEDLE BAR CRANK ROD BUSH		A	DDL-5700N	*		1	1.00
25	R	22891006	23622251	NEEDLE BAR CRANK ROD BUSH		B	DDL-9000,- DP-2100,DLN-9010	*		1	1.00
25	R	22891006	40078106	NEEDLE BAR CRANK ROD BUSH		C	AMS- /IP-- 420,AMS-220EN	*		1	1.00
25	R	22891006	40006534	NEEDLE BAR CRANK ROD BUSH		D	LK- ,AMS-- /IP-410,A- MS-210E,AB-1351	*		1	1.00
26		40006532		THREAD_TAKE_UP_CRANK				*		1	
27	R	40078083	40078382	NEEDLE_ROD_CRANK				*		1	1.00
28		B1903552000		LEFT SCREW				*		1	
29		40078135		PIN	SELECTIVE PARTS			*		1	
30		40096186		PIN	SELECTIVE PARTS			*		1	
31		B1705850000		STOPPER PIN	SELECTIVE PARTS			*		1	
32		40096209		PIN	SELECTIVE PARTS			*		1	
33		40010434		THRUST_COLLAR_ASM.						1	
34		22891204		BEARING SUPPORT						2	
35		40011902		THREAD_TAKE_UP_CRANK_SHAFT						1	
36		SM8061612TP		SCREW M6X16						2	
37		MDP17BB2400		NEEDLE DPX17 #24						1	
38		40078160		NEEDLE_ROD_META- L_GREASE_COVER						1	
39		40072233		SPROCKET_ASM						1	
40		SM6041602TP		SCREW M4X0.7 L=16						4	
41		SL6052592TN		BOLT						4	



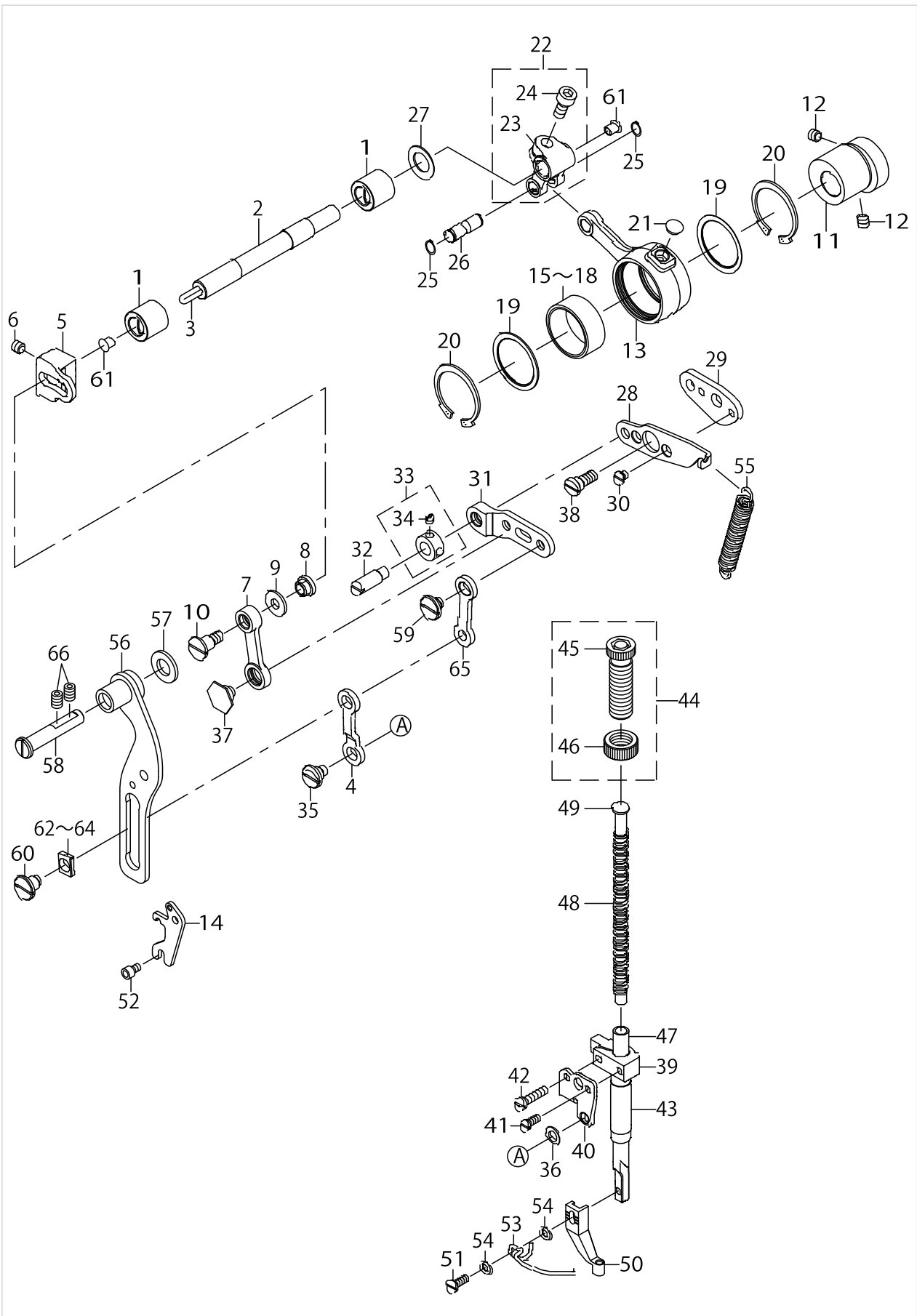
MAIN SHAFT & NEEDLE BAR COMPONENTS



MAIN SHAFT & NEEDLE BAR COMPONENTS

No.	Supply Code	Parts No.	Replacement	Parts name	Remarks	Choice	Step	Level	Cons	Qty	Rep. QTY
42	R	23604309	40051473	COUPLING						1	1.00
43		SM8060812TP		SCREW M6 L=8						4	
44		B1212210D00		PULLEY						1	
45		B1144210000		REVOLVING DIRECTION LABEL						1	
46		40044053		PULLEY SHAFT						1	
47		PS0400142KH		SPRING PIN 4X14						1	
48		A1230500000A		HANDWHEEL SETSCREW						1	
49		GAF01007000		SPRING						1	
50		40006515		GEAR_A						1	
51		SM8040310SS		SCREW M4 L=3						2	
52		40006516		GEAR_B						1	
53		SM8040310SS		SCREW M4 L=3						2	
54		40010533		BTW_DRIVING_WHEEL_ASM.						1	
55		40077604		NEEDLE_ROD_METAL						1	
56		40077605		NEEDLE_ROD_LOWER_METAL						1	
57		40026882		NEEDLE_BAR						1	
58		B14115520A0		NEEDLE BAR CONNECTING ASM.						1	
59		B1414555000		SLIDE BLOCK						1	
60		40052937		550W_SERVO_MOTOR						1	
61		40026884		NEEDLE_BAR_SHREAD_GUIDE_H						1	
62		22901409		NEEDLE BAR UPPER BUSH CAP						1	
63		SM8030412TP		SCREW						1	
64		SB30700020A		BEARING	SELECTIVE PARTS					2	
65		SB30700020B		BEARING	SELECTIVE PARTS					2	
66		SB30700020C		BEARING	SELECTIVE PARTS					2	
67		SB30700020D		BEARING	SELECTIVE PARTS					2	

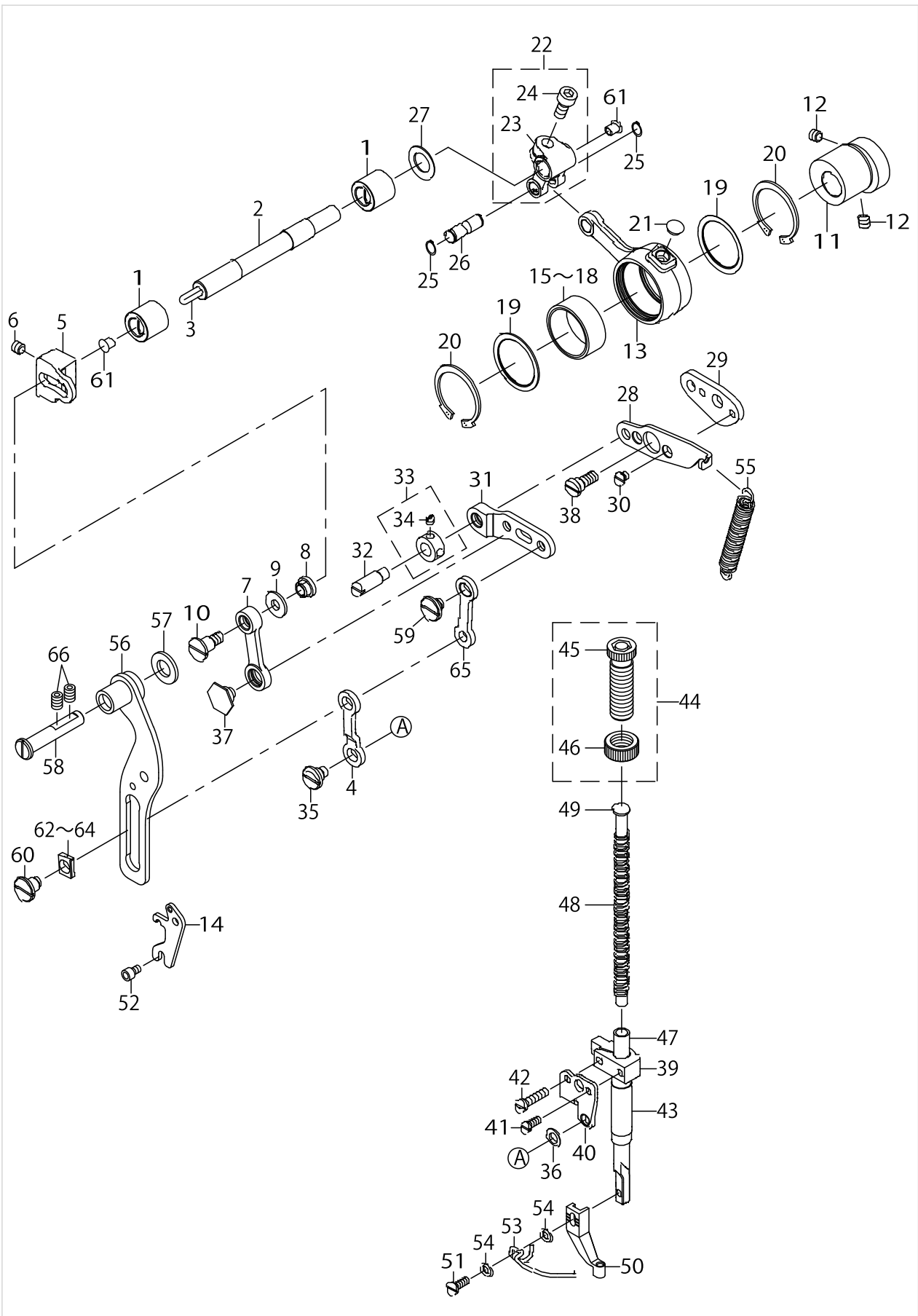
PRESSER MECHANISM & PRESSER VARIABLE COMPONENTS (1)



PRESSER MECHANISM & PRESSER VARIABLE COMPONENTS (1)

No.	Supply Code	Parts No.	Replacement	Parts name	Remarks	Choice	Step	Level	Cons	Qty	Rep. QTY
1		40025431		BUSHING						2	
2		40025427		INTERMEDIATE_PRESSER_SHAFT						1	
3		CQ303000000		OIL WICK						.18	
4		40030617		INTERMEDIATE_PRESSER_LINK_D						1	
5		40025012		ADJUSTING_ARM						1	
6		SM8060812TP		SCREW M6 L=8						1	
7		40068835		INTERMEDIATE_PRESSURE_LINK						1	
8		40025415		ADJUSTING_NUT						1	
9		WP0611626SP		WASHER 15X6X1.6						1	
10		SD0800746TP		SHOULDER SCREW						1	
11		40025428		ECCENTRIC_CAM						1	
12		SM8060812TP		SCREW M6 L=8						2	
13		40025011		CRANK_CONNECTING_ROD						1	
14		40068833		POSITIONING_LINK_SPRING_HOOK						1	
15		B1636581A00		NEEDLE BEARING	SELECTIVE PARTS					1	
16		B1636581B00		NEEDLE BEARING B	SELECTIVE PARTS					1	
17		B1636581C00		NEEDLE BEARING	SELECTIVE PARTS					1	
18		B1636581D00		NEEDLE BEARING	SELECTIVE PARTS					1	
19		40012965		BEARING_SUPPORT_PLATE						2	
20		RC3781518KP		RETAINING RING						2	
21		TA0750404R0		PLUG D=7.5 L=3.5						1	
22		13122452		FEED BRANCH CRANK ASM.						1	
23		13122403		FEED BRANCH CRANK				*		1	
24		SM6061402TP		SCREW M6 L=14				*		1	
25		RC0650811KP		RETAINING RING						2	
26		40025429		ROD_CONNECTING_SHAFT						1	
27		WP1221016SP		WASHER						1	
28		40068834		POSITIONING_LINK						1	
29		40024988		POSITIONING_LINK_B						1	
30		SS1110640TP		SCREW 11/64-40 L= 5.5						2	
31		40030620		INTERMEDIATE_PRESSER_LINK_B						1	
32		B1408180000		HINGE SCREW						1	
33		CS079073ASH		THRUST COLLAR ASM.						1	
34		SS8110410TP		SCREW 11/64-40 L= 3.5				*		2	
35		SD0800386TP		SHOULDER SCREW D=8 H=3.75						1	
36		40029419		LINK_CONNECTING_PLATE_WASHER						1	
37		SD1000506TP		SHOULDER SCREW D=10 H=4.95						1	
38		SD0800408TP		SHOULDER SCREW						1	
39		23610108		PRESSER BAR GUIDE BRACKET						1	
40		40024991		LINK_CONNECTING_PLATE						1	
41		SS6090910SP		SCREW 9/64-40 L=9						1	
42		SS7111810TP		SCREW 11/64-40 L=18						1	
43		40078133		PRESSER_BUSHING						1	
44		22907554		PRESSER SPRING REG NUT ASM.						1	
45	R	22907505	22907554	PRESSER SPRING REGULATOR				*		1	1.00

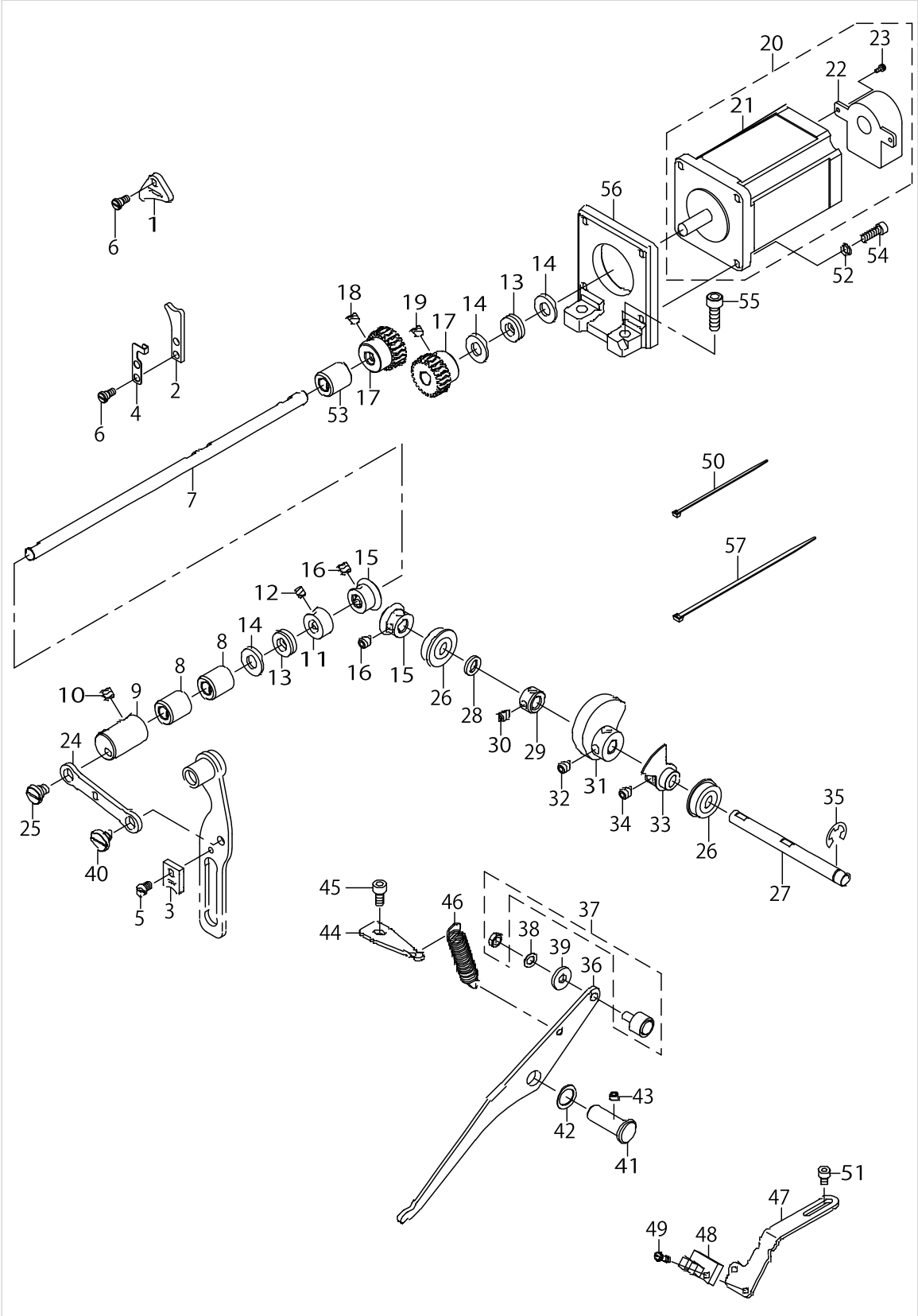
PRESSER MECHANISM & PRESSER VARIABLE COMPONENTS (1)



PRESSER MECHANISM & PRESSER VARIABLE COMPONENTS (1)

No.	Supply Code	Parts No.	Replacement	Parts name	Remarks	Choice	Step	Level	Cons	Qty	Rep. QTY
46	R	22907604	22907554	PRESSER SPRING REGULATOR NUT				*		1	1.00
47		40030623		INTERMEDIATE_PRESSER_BAR						1	
48		B161121000A		INNER PRESSER SPRING						1	
49		40023631		PRESSER GUIDE BAR						1	
50		B1601210D0CA		INTERMEDIATE PRESSER C						1	
51		SM7751160TP		SCREW						1	
52		SM6040602TP		SCREW M4 L=6						2	
53		B1634210D00		FINGER GUARD						1	
54		WP0430800SC		WASHER M4						2	
55		40030621		INTERMEDIATE_PRE- SSER_SPRING B						1	
56		40077925		PRESSURE_VARIABLE_PLATE_ASM.						1	
57		40078113		COLLAR						1	
58		40023624		THREAD_TRIMMER_SHAFT						1	
59		SD0800336TP		SHOULDER SCREW						1	
60		SD0800656TP		SHOULDER SCREW						1	
61		TA0550604R0		RUBBER PLUG						2	
62		40030628		SLIDE_BLOCK_A	SELECTIVE PARTS					1	
63		40030629		SLIDE_BLOCK_B	SELECTIVE PARTS					1	
64		40030630		SLIDE_BLOCK_C	SELECTIVE PARTS					1	
65		40030616		INTERMEDIATE_PRESSER_LINK_C						1	
66		SM8060812TP		SCREW M6 L=8						2	

PRESSER MECHANISM & PRESSER VARIABLE COMPONENTS (2)

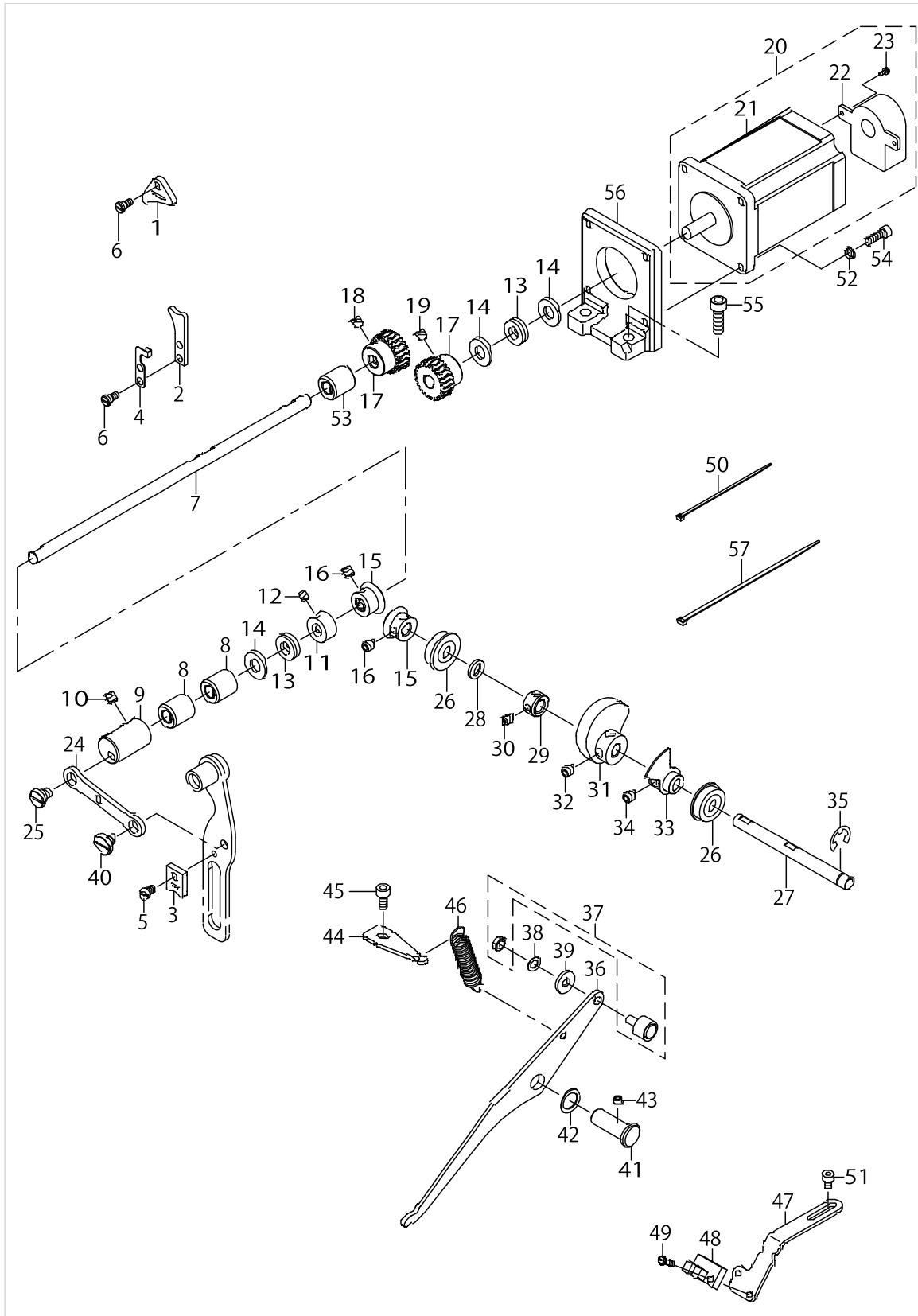


PRESSER MECHANISM & PRESSER VARIABLE COMPONENTS (2)

No.	Supply Code	Parts No.	Replacement	Parts name	Remarks	Choice	Step	Level	Cons	Qty	Rep. QTY
1		40030625		FACE_FELT_A						1	
2		40030626		FACE_FELT_B						1	
3		40030627		FACE_FELT_C						1	
4		40026817		FACE_FELT_B_SUPPORT						1	
5		40029420		FELT_SCREW_C						1	
6		40032483		FELT_SCREW_AB						3	
7		40032179		PRESSER_VARIABLE_SHAFT						1	
8		40025423		BUSHING B						2	
9		40026819		PRESSER_VARIABLE_ARM						1	
10		SM8480652TP		SCREW						2	
11		CS0800881TP		THRUST COLLAR						1	
12		SM8050412TP		SCREW M5 L=4						2	
13		SB408000100		BEARING						2	
14		WP0850002SP		WASHER 8.5X18X1.6						3	
15		40030615		PRESSER_LIFT_GEAR						2	
16		SM8060812TP		SCREW M6 L=8						4	
17		40032180		PRESSER_MOTOR_GEAR_A						2	
18		SM8060812TP		SCREW M6 L=8						2	
19		SM8060602TP		SCREW M6X6						2	
20		40103969		ENCODER MOTOR ASM.(IP)						1	
21		40071942		STEPPING MOTOR				*		1	
22		HD002780000		SENSOR				*		1	
23		SL4020591SC		SCREW M2X5				*		2	
24		40024989		PRESSER_VARIABLE_LINK						1	
25		SD0800337TP		SHOULDER SCREW						1	
26		SB108000500		RADIAL BEARING						2	
27		40025426		PRESSER_LIFT_SHAFT						1	
28		WZ0850302K0		WAVED WASHER 8.5X12.5X0.3						1	
29		CS0800881TP		THRUST COLLAR						1	
30		SM8050412TP		SCREW M5 L=4						2	
31		40025016		LIFTING_CAM						1	
32		SM8060812TP		SCREW M6 L=8						2	
33		40025418		SENSOR_SLIT_ASM						1	
34		SM8060812TP		SCREW M6 L=8						2	
35		RE0700000K0		E-RING 7						1	
36		40025030		LIFTING_LINK						1	
37		40027870		CAM FOLLOWER						1	
38		WP0520656SA		WASHER 5.2X9.5X0.6						1	
39		WP0522016SH		WASHER						1	
40		SD0800387TP		SHOULDER SCREW D=8 H=3.75						1	
41		B1641562000		FEED REGULATING ARM SHAFT						1	
42		26226001		WASHER						1	
43		SM8050412TP		SCREW M5 L=4						1	
44		40025420		LIFTER_LINK_SPRING_HOOK						1	
45		SM6050802TP		SCREW M5X0.8 L=8						1	
46		40003970		TENSION RELEASE RETURN						1	



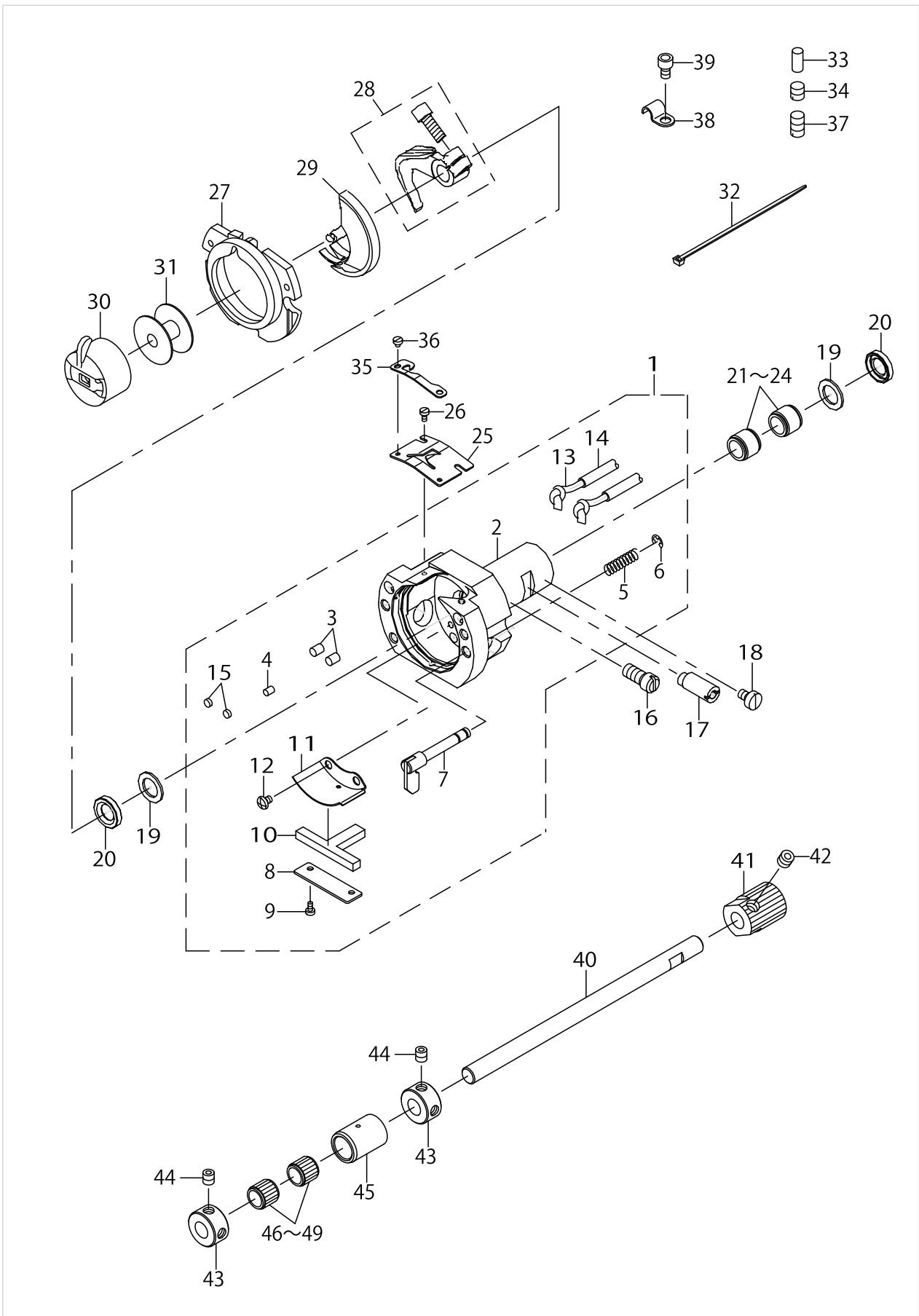
PRESSER MECHANISM & PRESSER VARIABLE COMPONENTS (2)



PRESSER MECHANISM & PRESSER VARIABLE COMPONENTS (2)

No.	Supply Code	Parts No.	Replacement	Parts name	Remarks	Choice	Step	Level	Cons	Qty	Rep. QTY
47		40025419		SENSOR_INSTALLING_BASE						1	
48		HD00057000A		PHOTO SENSOR						1	
49		SL4031091SC		SCREW M3 X 10						1	
50		EA9500B0100		CABLE BAND						2	
51		SM6040602TP		SCREW M4 L=6						2	
52		WP0450846SP		WASHER						4	
53		40043321		BUSHING_C						1	
54		SM6041402TP		SCREW M4 L=14						4	
55		SM6061802TP		SCREW M6 L=18						2	
56		40032181		PRESSER_MOTOR_BRACKET						1	
57		EA9500B0200		CABLE BAND 150						2	

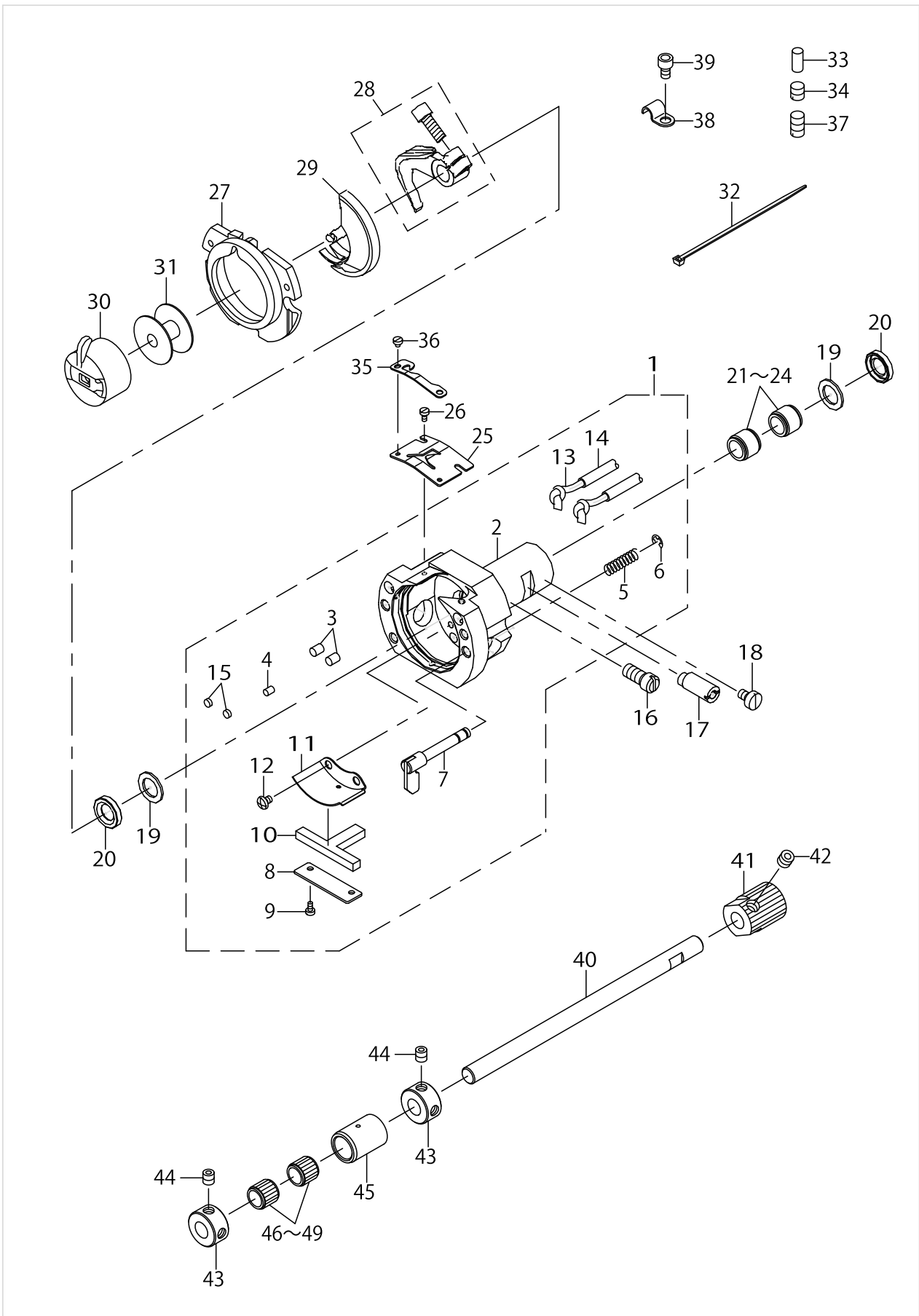
SHUTTLE DRIVER SHAFT COMPONENTS (1)



SHUTTLE DRIVER SHAFT COMPONENTS (1)

No.	Supply Code	Parts No.	Replacement	Parts name	Remarks	Choice	Step	Level	Cons	Qty	Rep. QTY
1		40072140		SHUTTLE_ASM						1	
2	R	40006574	40089365	SHUTTLE				*		1	1.00
3		B1820210D00		SHUTTLE OIL FELT,A				*		2	
4		B1821210D00		SHUTTLE OIL FELT,B				*		1	
5		B1822215P00		INNER HOOK PRESSER SPRING				*		2	
6		RE0300000K0		E-RING 3				*		2	
7		26501858		INNER-HOOK-PRESSER COMPL.				*		2	
8		14104004		ONCE THROUGH OIL FELT PRESSER				*		1	
9		SM6020460TP		SCREW				*		2	
10		14103907		SHUTTLE ONCE TH-ROUGH OIL FELT				*		1	
11		40006577		SHUTTLE_LUBRICATING_PLATE				*		1	
12		SM4030455SP		SCREW				*		2	
13		CQ200000000		OIL WICK				*		8.9	
14		23630007		TUBE				*		3.9	
15		13529607		SHUTTLE PACKING				*		2	
16		40010470		SHUTTLE_ASM_SCREW						1	
17		40010471		SHUTTLE_RACE_ADJUSTING_SHAFT						1	
18		SM6060800SP		SCREW M6 L=8						1	
19		40010472		SHUTTLE_BEARING_RING						2	
20		40006576		SHUTTLE_OIL_SEAL						2	
21		SB30800100A		BEARING	SELECTIVE PARTS					2	
22		SB30800100B		BEARING	SELECTIVE PARTS					2	
23		SB30800100C		BEARING	SELECTIVE PARTS					2	
24		SB30800100D		BEARING	SELECTIVE PARTS					2	
25		40036117		SHUTTLE UPPER SPRING						1	
26		SM6020460TP		SCREW						2	
27		14103352		INNER HOOK PRESSER ASM., B						1	
28		40014963		SHUTTLE DRIVER ASM.						1	
29		40061991		SHUTTLE(H)						1	
30		B1828210DAA		BOBBIN CASE ASM.						1	
31		B1806210D00		BOBBIN						1	
32		EA9500B0100		CABLE BAND						2	
33		40006578		OIL_WICK_PRESSER						1	
34		SM8060610TP		SCREW						1	
35		40036118		LOWER THREAD HOLDER						1	
36		SM6020250TP		SCREW						2	
37		SM8061050TP		SCREW						1	
38		B3538112000		OIL RETURN TUBE HOLDER						1	
39		SM6040602TP		SCREW M4 L=6						1	
40		40072102		DRIVER SHAFT						1	
41		40072101		LOWER SHAFT GEAR						1	
42		SM8060552TP		SCREW M6 L=5						2	
43		CS0800971TP		THRUST COLLAR D=8 W=9						2	
44		SM8050512TP		SCREW						4	
45		B1847221D00		LOWER SHAFT MIDDLE METAL						1	

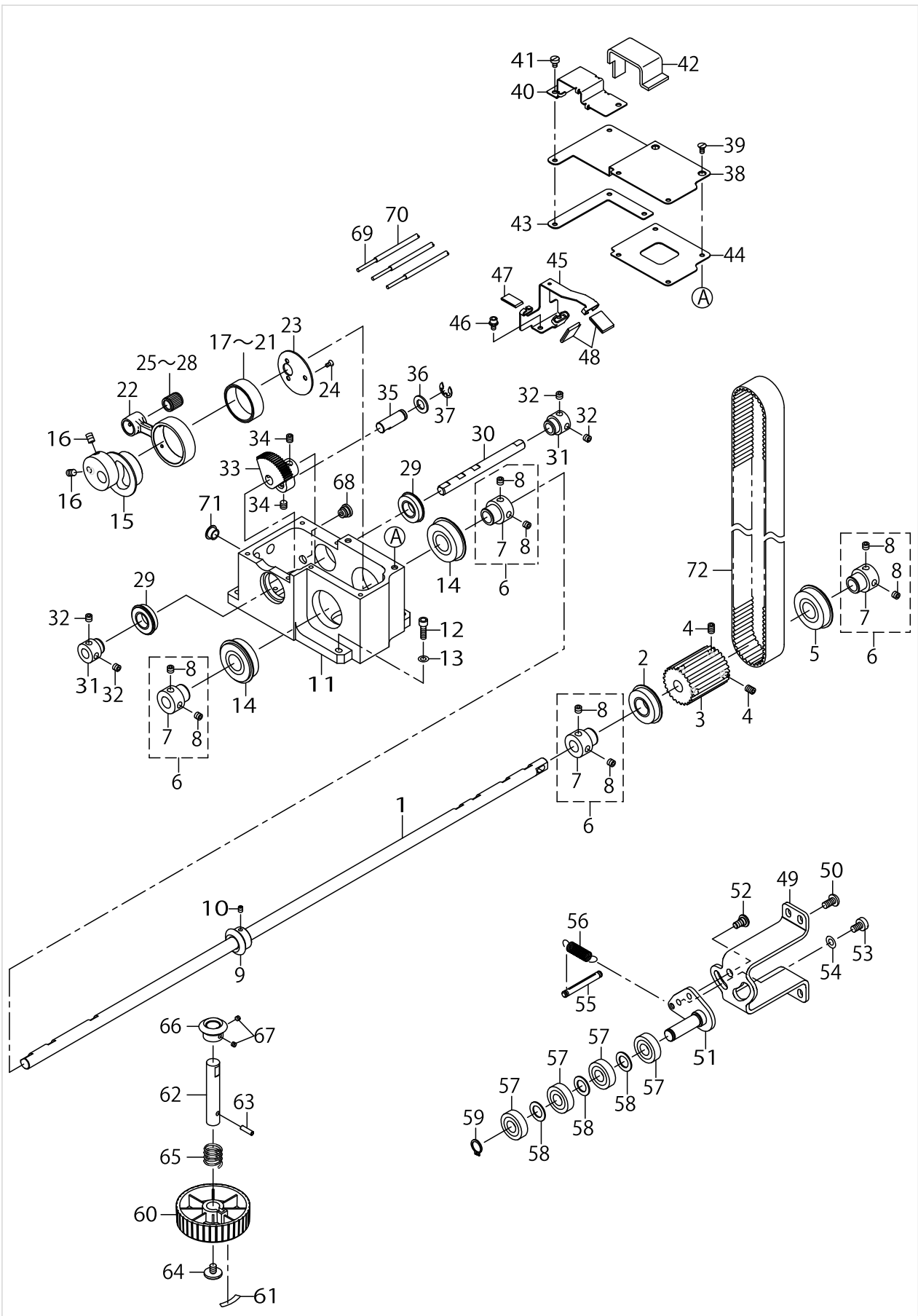
SHUTTLE DRIVER SHAFT COMPONENTS (1)



SHUTTLE DRIVER SHAFT COMPONENTS (1)

No.	Supply Code	Parts No.	Replacement	Parts name	Remarks	Choice	Step	Level	Cons	Qty	Rep. QTY
46		B1411804A00		BEARING (A)	SELECTIVE PARTS					1	
47		B1411804B00		NEEDLE DRIVING L- EVER BEARING B	SELECTIVE PARTS					1	
48		B1411804C00		NEEDLE DRIVING L- EVER BEARING C	SELECTIVE PARTS					1	
49		B1411804D00		BEARING (D)	SELECTIVE PARTS					1	

SHUTTLE DRIVER SHAFT COMPONENTS (2)

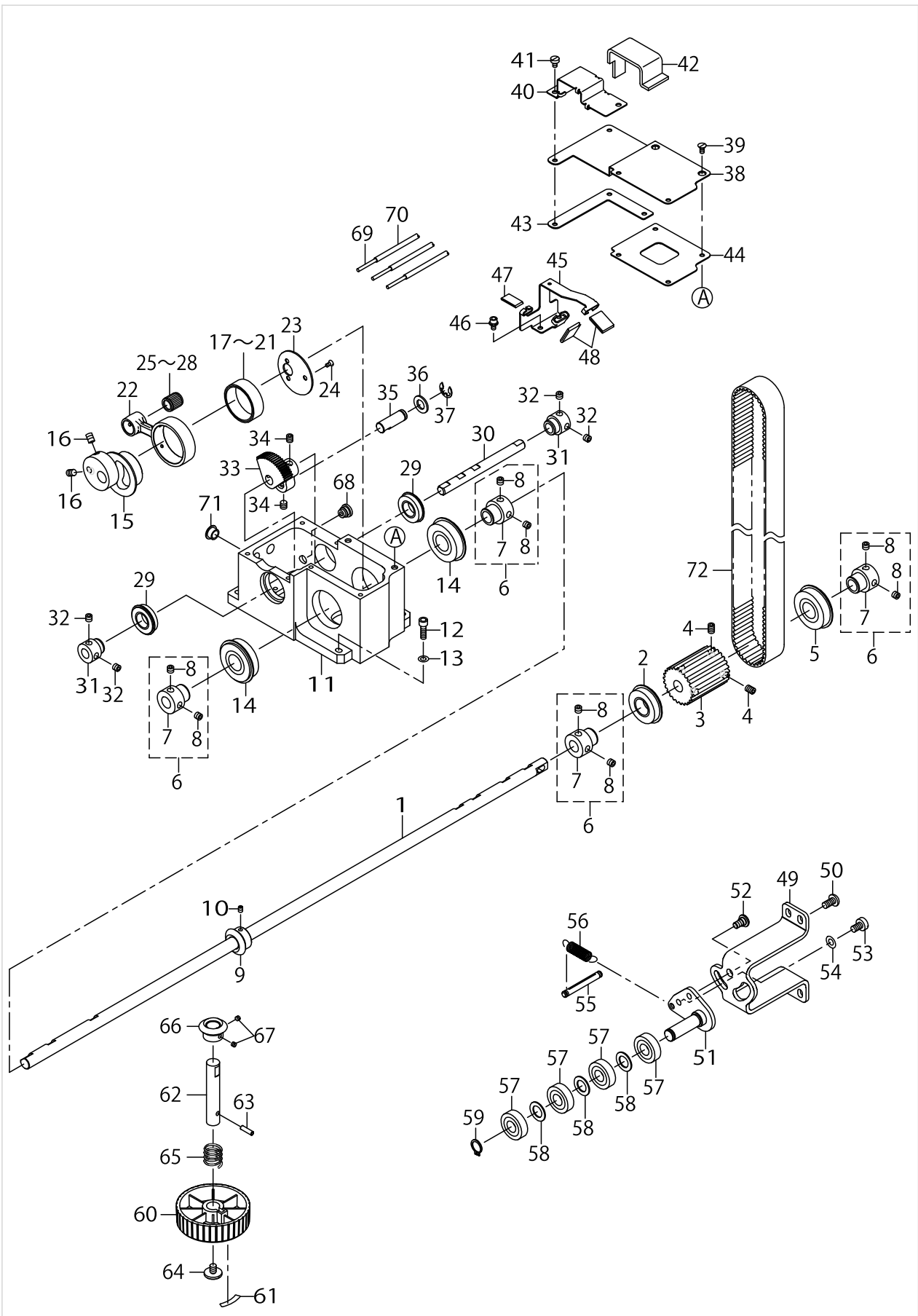


SHUTTLE DRIVER SHAFT COMPONENTS (2)

No.	Supply Code	Parts No.	Replacement	Parts name	Remarks	Choice	Step	Level	Cons	Qty	Rep. QTY
1		40072089		LOWER SHAFT						1	
2		SB117000400		BEARING						1	
3		40072207		LOWER SHAFT SPROCKET						1	
4		SM8060812TP		SCREW M6 L=8						4	
5		SB117001000		BEARING						1	
6		40086384		BEARING SUPPORT ASM.						4	
7		23618606		BEARING SUPPORT				*		1	
8		SS8660612TP		SCREW 1/4-40 L=6				*		2	
9		40072173		GEAR_A						1	
10		SM8040502TP		SCREW M4X0.7 L=5						2	
11		40072090		GEAR BOX						1	
12		SM6051602TP		SCREW M5X0.8 L=16						4	
13		WP0531000SD		WASHER M5						4	
14		SB117001100		BEARING						2	
15		40072091		ECCENTRICK CAM						1	
16		SM8060812TP		SCREW M6 L=8						2	
17		SB33500020A		BEARING						1	
18		SB33500020B		BEARING						1	
19		SB33500020C		BEARING						1	
20		SB33500020D		BEARING						1	
21		SB33500020E		BEARING						1	
22		40072092		CRANK LOD						1	
23		40072106		CRANK LOD SUPPORT PLATE						1	
24		SM1030601SP		SCREW M3 L=6						3	
25		SB31000110A		BEARING						1	
26		SB31000110B		BEARING						1	
27		SB31000110C		BEARING						1	
28		SB31000110D		BEARING						1	
29		SB115001400		BEARING						2	
30		40072093		OSCILLATING SHAFT						1	
31		40072227		BEARING_BUSH						2	
32		SM8060552TP		SCREW M6 L=5						4	
33		40072094		OSCILLATOR						1	
34		SM8480652TP		SCREW						5	
35		40072095		OSCILLATOR PIN						1	
36		40026818		WASHER						1	
37		RE0800000K0		E-SHAPED SNAP RING (8MM)						1	
38		40072096		GEAR BOX COVER						1	
39		SM1040870TP		SCREW						2	
40		40072100		LUBRICATING PLATE						1	
41		SM6040650TP		SCREW						5	
42		40072099		FELT						1	
43		40072097		GASKET A						1	
44		40072098		GASKET B						1	
45		40072159		LUBRICATION PLATE						1	
46		SL6040892TN		BOLT						2	



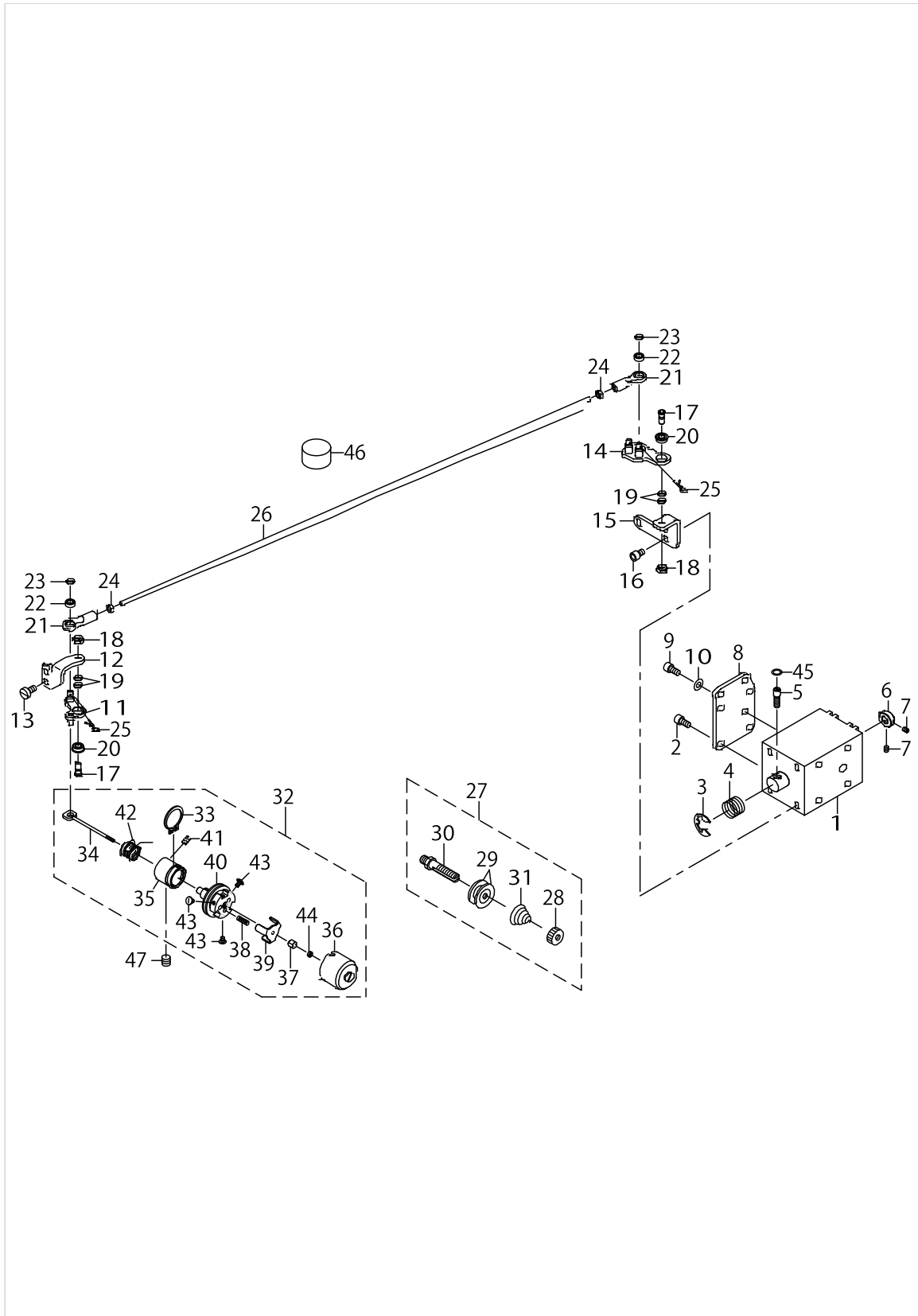
SHUTTLE DRIVER SHAFT COMPONENTS (2)



SHUTTLE DRIVER SHAFT COMPONENTS (2)

No.	Supply Code	Parts No.	Replacement	Parts name	Remarks	Choice	Step	Level	Cons	Qty	Rep. QTY
47		B3518280000		BALANCE LUBRICATING						1	
48		B3509280000		NEEDLE ROD CRANK LUBRICATING						2	
49		40072208		IDLER INSTALLING PLATE						1	
50		SM4061255SP		SCREW M6 L=12						4	
51		40072103		IDLER BASE ASM						1	
52		SD0800346TP		SHOULDER SCREW						1	
53		SM6061010TP		SCREW M6 L=10						1	
54		WP0641601SD		WASHER M6						1	
55		13518501		SPRINGSUSPENSION						1	
56		14432504		IDLER SPRING						1	
57		SB112000200		BEARING						4	
58		WP1221016SP		WASHER						3	
59		RC1200001KP		C-SHAPED SNAP RING						1	
60		B1212210D00		PULLEY						1	
61		B1144210000		REVOLVING DIRECTION LABEL						1	
62		40044053		PULLEY SHAFT						1	
63		PS0400142KH		SPRING PIN 4X14						1	
64		A1230500000A		HANDWHEEL SETSCREW						1	
65		GAF01007000		SPRING						1	
66		40006515		GEAR_A						1	
67		SM8040502TP		SCREW M4X0.7 L=5						2	
68		40006840		RUBBER BUSH						3	
69		CQ200000000		OIL WICK						2.6	
70		23630007		TUBE						6.3	
71		TA1050504R0		RUBBER PLUG						2	
72		40072088		BELT						1	

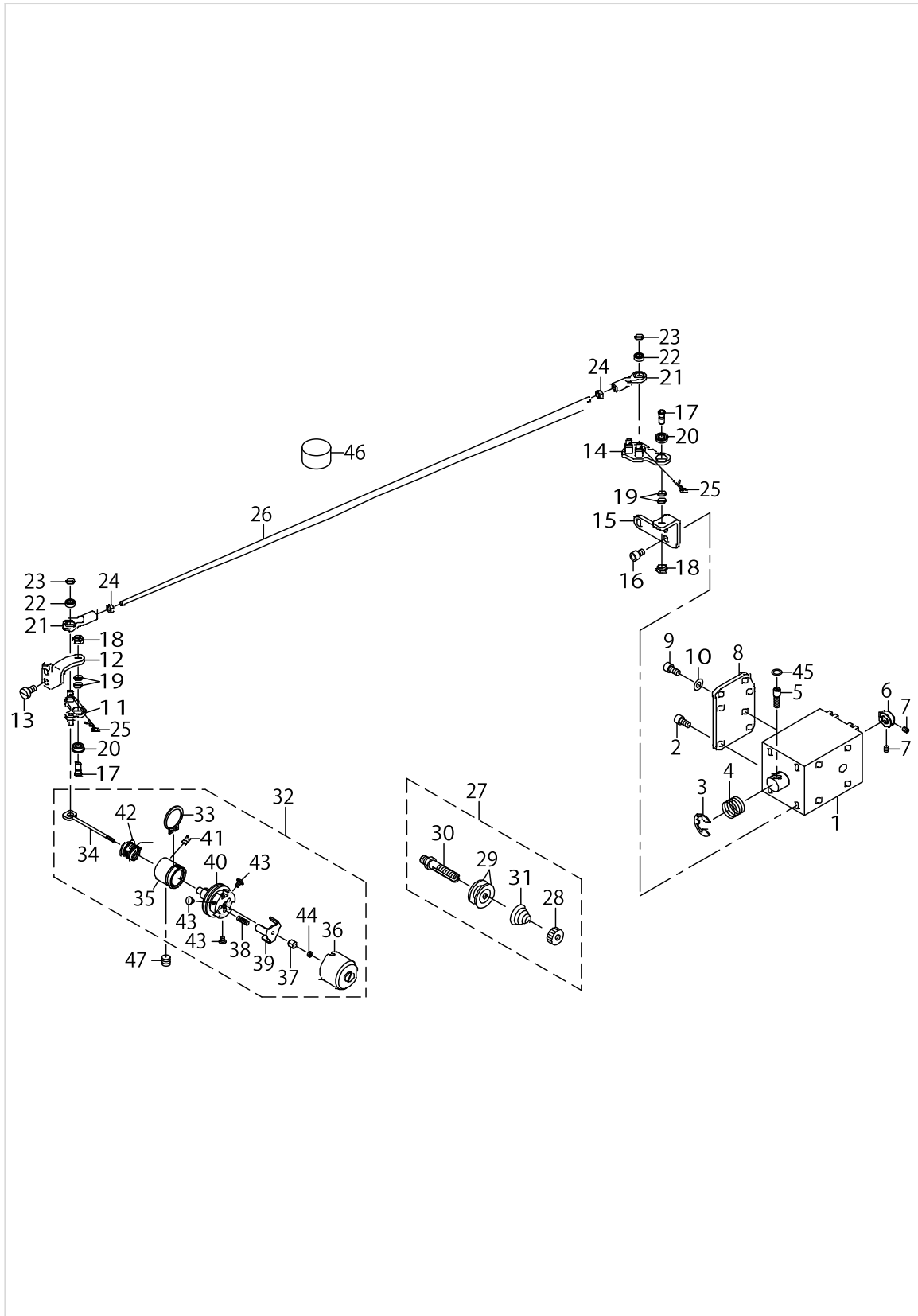
# TENSION RELEASE & THREAD TENSION COMPONENTS



TENSION RELEASE & THREAD TENSION COMPONENTS

No.	Supply Code	Parts No.	Replacement	Parts name	Remarks	Choice	Step	Level	Cons	Qty	Rep. QTY
1		40073660		AT SOLENOID						1	
2		SM6040802TP		SCREW M4X0.7 L=8						4	
3		RE0900000K0		E-RING 9						1	
4		40006625		SPRING						1	
5		40006617		AT_SOL_PIN						1	
6		40010477		AT_SOL_COLLAR						1	
7		SM8030412TP		SCREW						2	
8		40010479		AT_PLATE						1	
9		SM6040802TP		SCREW M4X0.7 L=8						2	
10		WP0430801SC		WASHER 4.3X9X0.8						2	
11		40032343		AT_DRIVE_LINK_F_ASM						1	
12		40023993		AT_PIVOT_BASE(F)						1	
13		SM6040860TP		SCREW M4 L=8						2	
14		40032345		AT_DRIVE_LINK_R_ASM						1	
15		40023999		AT_PIVOT_BASE(R)						1	
16		SM6040802TP		SCREW M4X0.7 L=8						2	
17		40010487		AT_PIVOT_SCREW						2	
18		NM6040003SC		NUT M4						2	
19		40010489		AT_PIVOT_SCREW_WASHER						4	
20		40010490		AT_PIVOT_BEARING						2	
21		40010497		AT_JOINT						2	
22		40010498		AT_JOINT_BEARING						2	
23		40010489		AT_PIVOT_SCREW_WASHER						2	
24	R	40010499	NM6030001SC	AT_JOINT_NUT						2	1.00
25		40006622		AT_SNAP_PIN						2	
26		40072111		AT CONNECTIONBAR						1	
27		40010503		THREAD_TENSION_1_ASM.						1	
28		22928808		NUT				*		1	
29		22921506		THREAD TENSION DISK				*		2	
30	R	40010504	40010503	THREAD_TENSION_SHAFT				*		1	1.00
31		26218602		FIRST THREAD TENSION SPRING				*		1	
32		40029411		THREAD_TENSION_2_ASM_H						1	
33	R	40010523	40010508	POST_BASE_C_RING				*		1	1.00
34		40010509		TENSION RELEASE PIN				*		1	
35		40010510		THREAD_TENSION_POST_BASE				*		1	
36		40010511		DISK_STOPPER HOLDER_CAP				*		1	
37		40010512		THREAD_TENSION_SHAFT_COLLAR				*		1	
38		40010513		DISK_STOPPER_SPRING				*		3	
39		40010514		DISK_STOPPER				*		1	
40		40010515		ASSY_THREAD_TENSION_POST				*		1	
41		40010478		AT_SOL_COLLAR_SCREW				*		1	
42		40029412		THREAD_TAKE-UP_SPRING_H				*		1	
43		40010521		HOLD_CAP_SCREW				*		3	
44		40010522		SHAFT_NUT				*		1	
45		WP0510516SD		WASHER 5.1X7.5X0.5						2	
46		B1228232000		OIL FELT						2	

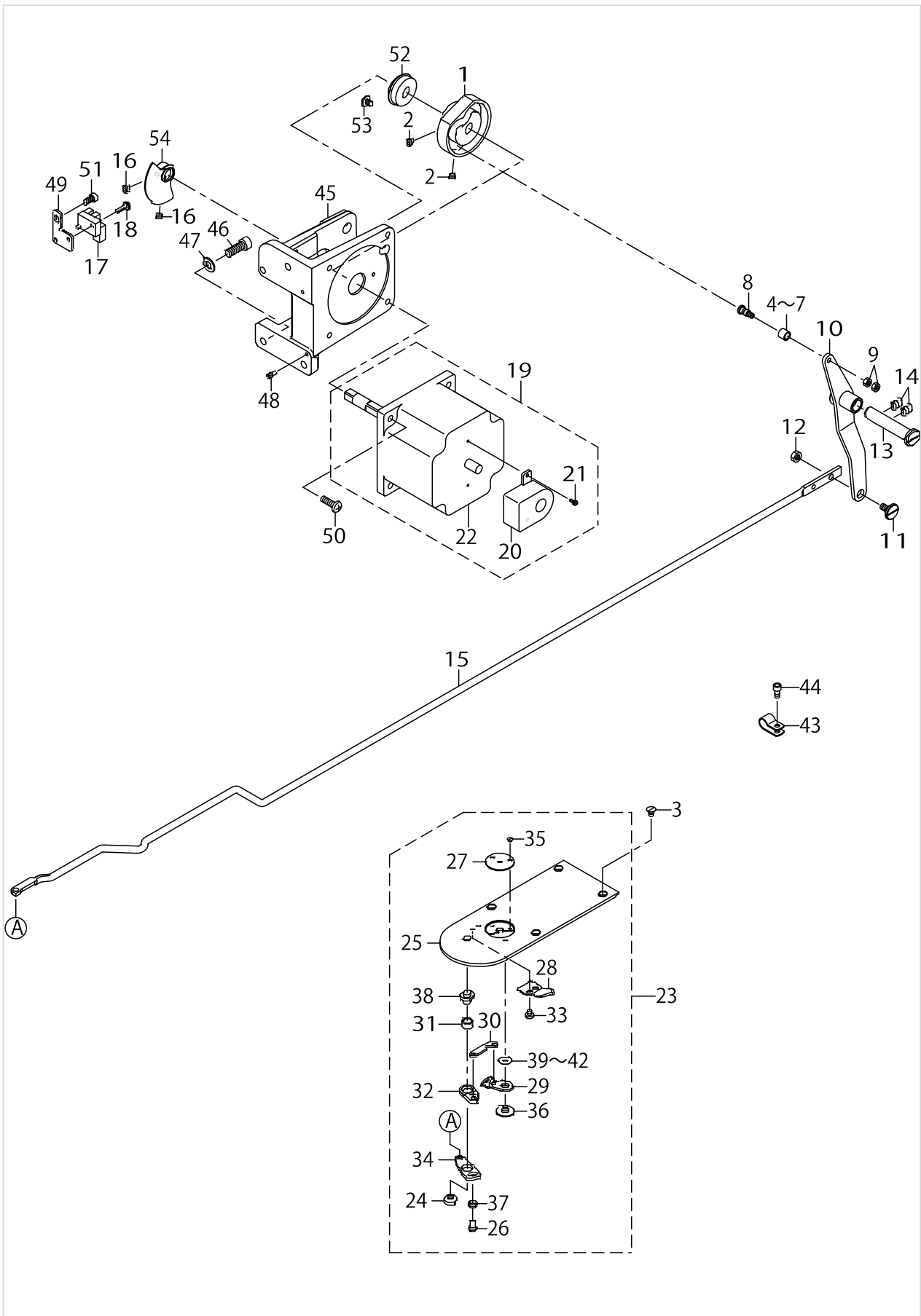
# TENSION RELEASE & THREAD TENSION COMPONENTS



TENSION RELEASE & THREAD TENSION COMPONENTS

No.	Supply Code	Parts No.	Replacement	Parts name	Remarks	Choice	Step	Level	Cons	Qty	Rep. QTY
47		SM8061612TP		SCREW M6X16						1	

# THREAD TRIMMER MECHANISM COMPONENTS

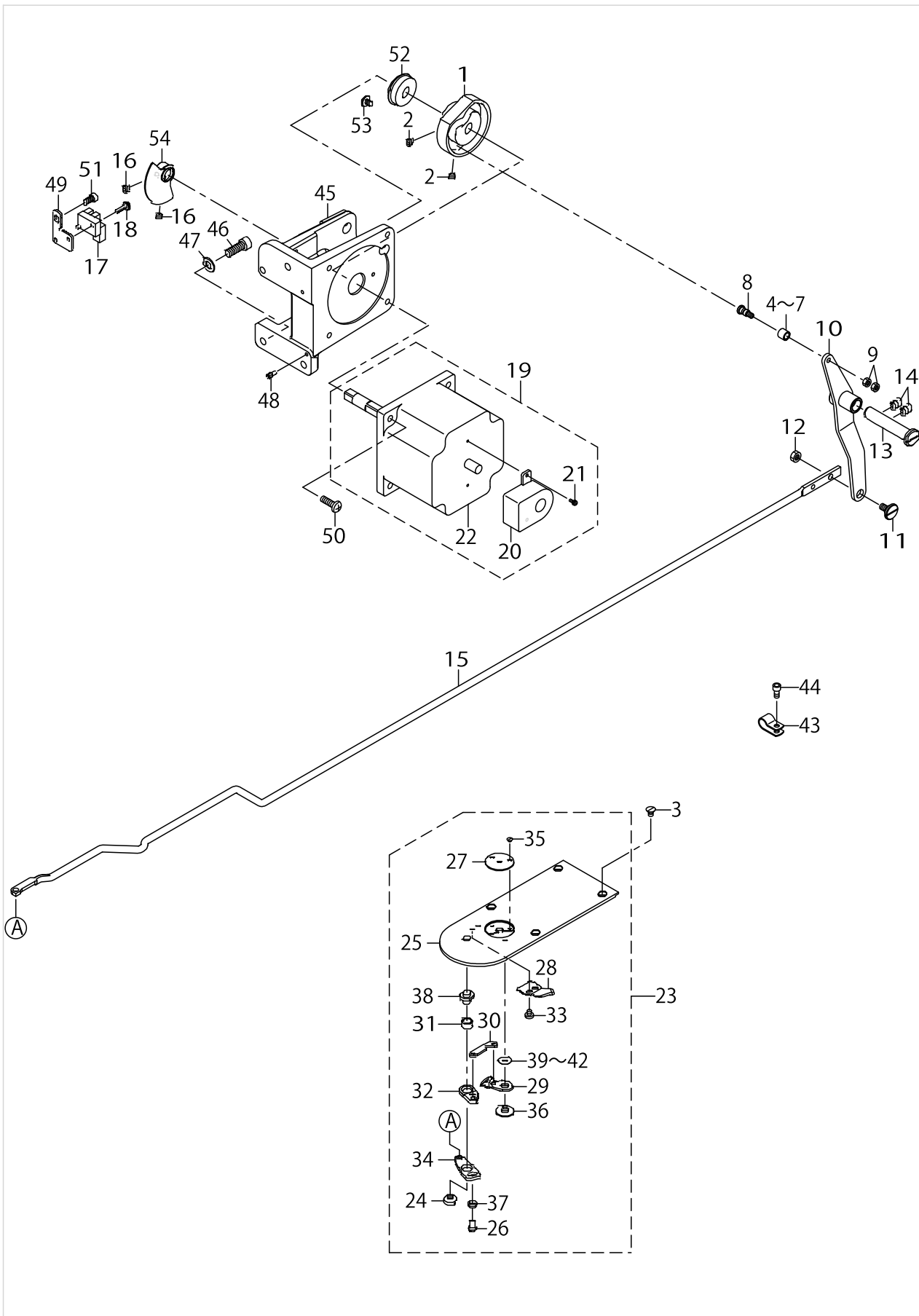


THREAD TRIMMER MECHANISM COMPONENTS

No.	Supply Code	Parts No.	Replacement	Parts name	Remarks	Choice	Step	Level	Cons	Qty	Rep. QTY
1		40030936		THREAD_TRIMMER_CAM						1	
2		SM8050592TP		SCREW						2	
3		SM1040650TP		SCREW						4	
4		23517501		NEEDLE CAM ROLLER A	SELECTIVE PARTS					1	
5		23517600		NEEDLE CAM ROLLER B	SELECTIVE PARTS					1	
6		23517709		NEEDLE CAM ROLLER C	SELECTIVE PARTS					1	
7		23517808		NEEDLE CAM ROLLER D	SELECTIVE PARTS					1	
8		40040256		ROLLER_SHAFT						1	
9		NM6040001SP		NUT M4X0.7						2	
10		40072228		THREAD_TRIMMER_LINK_ASM						1	
11		SD0800327TP		SHOULDER SCREW						1	
12		NM6050001SP		NUT M5						1	
13		40023624		THREAD_TRIMMER_SHAFT						1	
14		SM8060812TP		SCREW M6 L=8						2	
15		40072107		THREAD TRIMMER CONNECTING BAR						1	
16		SM8050592TP		SCREW						2	
17		HD00057000A		PHOTO SENSOR						1	
18		SL4031091SC		SCREW M3 X 10						1	
19		40103968		ENCODER MOTOR ASM.(TC)						1	
20		HD002780000		SENSOR				*		1	
21		SL4020591SC		SCREW M2X5				*		2	
22		40071944		STEPPING MOTOR				*		1	
23		40053776		NEEDLE_PLATE_ASM.						1	
24		SS6110430TP		SCREW 11/64-40 L= 4.0				*		1	
25		40030934		NEEDLE_PLATE				*		1	
26		SS7110740TP		SCREW 11/64-40 L=7				*		1	
27		B242621000F		NEEDLE HOLE GUIDE D=3.0				*		1	
28		B2424210000		COUNTER KNIFE				*		1	
29		B2421210AA0		MOVING KNIFE COMPL.				*		1	
30		B2418280000		MOVING KNIFE LINK				*		1	
31		B2416280000		THREAD CUTTING LEVER RING				*		1	
32		B24152800A0		THREAD CUTTER L- EVER ASM., SMALL				*		1	
33		SS7090410SP		SCREW 9/64-40 L=3.5				*		2	
34		B24142800A0		THREAD CUTTER L- EVER ASM., LARGE				*		1	
35		SS1060210TP		SCREW 3/32-56 L=2.2				*		2	
36		B2417210000		MOVING KNIFE HINGE SCREW				*		1	
37		WP0450846SP		WASHER				*		1	
38		B2417280000		THREAD CUTTER LEVER SHAFT				*		1	
39		B242328000D		MOVING KNIFE WASHER D	SELECTIVE PARTS			*		1	
40		B242328000B		MOVING KNIFE WASHER B	SELECTIVE PARTS			*		1	
41		B242328000A		MOVING KNIFE WASHER A	SELECTIVE PARTS			*		1	
42		B242328000C		MOVING KNIFE WASHER C	SELECTIVE PARTS			*		1	
43		HX00150000C		CABLE CLIP						1	
44		SM6040802TP		SCREW M4X0.7 L=8						1	
45		40072211		MOTOR_BASE						1	



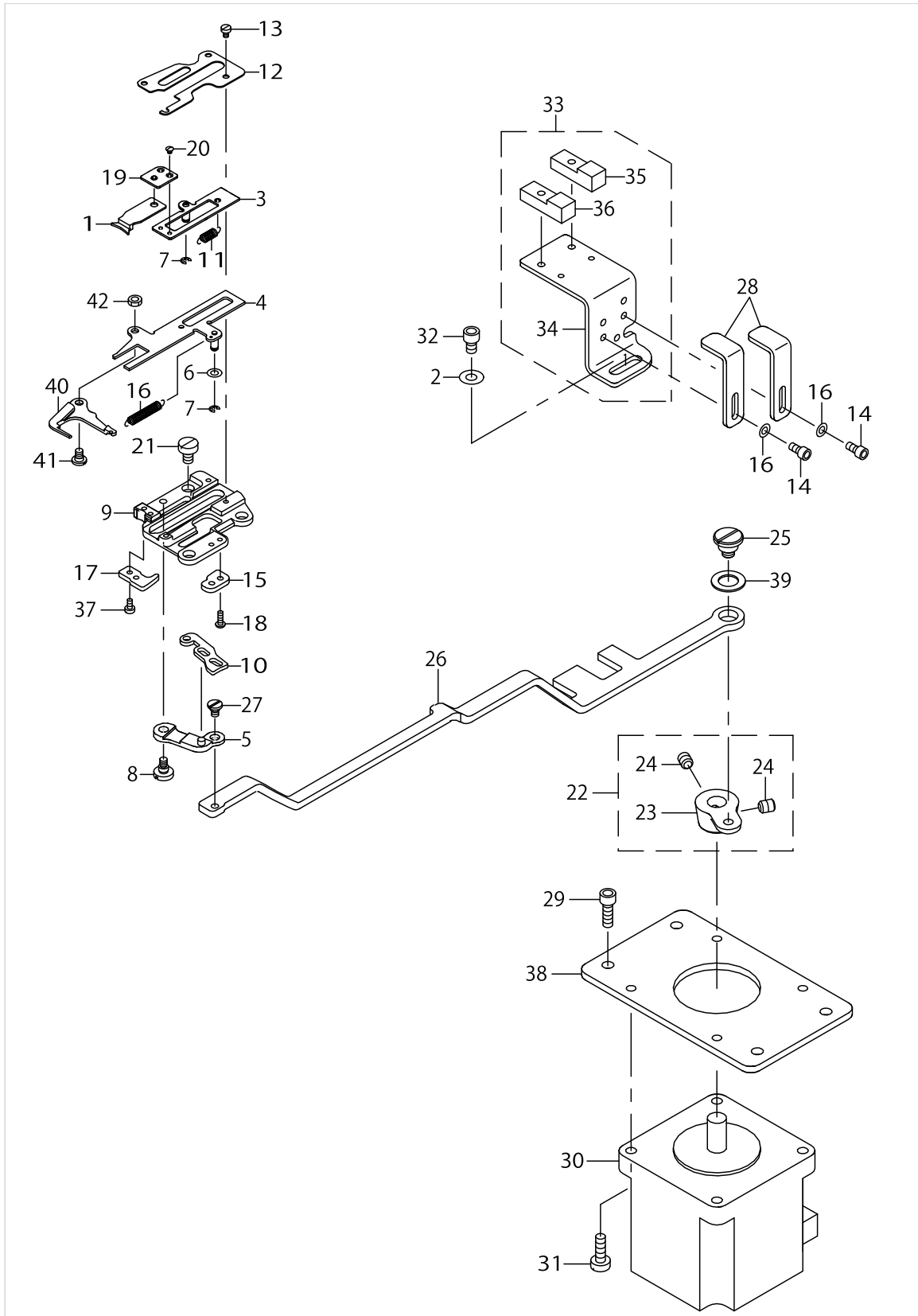
# THREAD TRIMMER MECHANISM COMPONENTS



THREAD TRIMMER MECHANISM COMPONENTS

No.	Supply Code	Parts No.	Replacement	Parts name	Remarks	Choice	Step	Level	Cons	Qty	Rep. QTY
46		SM6061802TP		SCREW M6 L=18						3	
47		WP0651001SC		WASHER						3	
48		B1816215P00		GUIDE PIN						2	
49		40010443		SENSOR_INSTALLING.BASE						1	
50		SM4051655SP		SCREW M5 L=16						4	
51		SM6040802TP		SCREW M4X0.7 L=8						1	
52		SB110002400		BEARING						1	
53		SM6040650TP		SCREW						1	
54		40006666		SENSOR_SLIT_ASM						1	

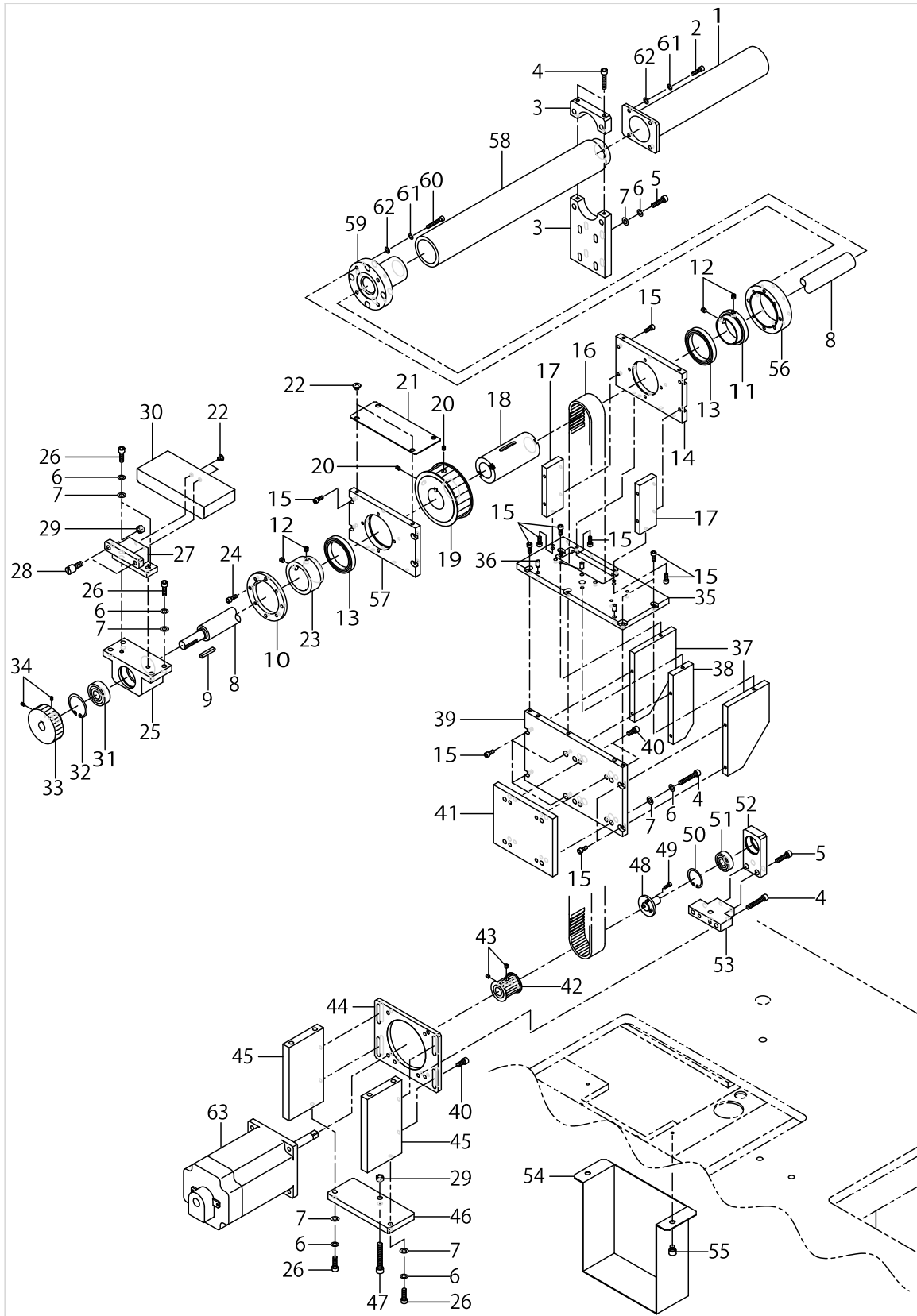
# THREAD CLAMP COMPONENTS



THREAD CLAMP COMPONENTS

No.	Supply Code	Parts No.	Replacement	Parts name	Remarks	Choice	Step	Level	Cons	Qty	Rep. QTY
1		40006761		TC_CLAMP						1	
2		WP0450801SP		WASHER						1	
3		40076233		TC_CLAMP_PLATE_ASM						1	
4	R	40076238	40076235	TC_SUPPORT_PLATE						1	1.00
5		40015800		TC_LINK_ASM.						1	
6		WP0320500SC		WASHER M3						2	
7		RE0200000K0		E-RING						2	
8		SD0400266TP		SHOULDER SCREW						1	
9		40076237		TC_BASE						1	
10		40010590		TC_CAM_PLATE						1	
11		40006780		TC_SPRING						1	
12		40076236		TC_BASE_COVER						1	
13		SM6020350SP		SCREW M2 L=2.5						4	
14		SM6030602TP		SCREW M3X0.5 L=6						4	
15		40030943		TC_NOTCH_R_H						1	
16		40076232		TC_OPEN_SPRING						1	
17		40030942		TC_NOTCH_F_H						1	
18		SM4020600SP		SCREW M2 L=6						2	
19		40012815		TC_JOINT_ASM						1	
20		SM2360110TP		SCREW						2	
21		SM6040650TP		SCREW						3	
22		40010527		TC_DRIVING_ARM_ASM.						1	
23	R	40010528	40010527	TC_DRIVING_ARM				*		1	1.00
24	R	40011152	40010527	TC_ARM_SCREW				*		2	1.00
25		SD0800407TP		SHOULDER SCREW						1	
26	R	40072108	40111145	TC CONNECTING LINK						1	1.00
27		SD0350156TP		SHOULDER SCREW						1	
28		40072225		CONNECTING_LINK_SUPPORT						2	
29		SM6041202TP		SCREW M4X0.7 L=12						3	
30		40075079		STEPPING MOTOR						1	
31		SM6041202TP		SCREW M4X0.7 L=12						4	
32		SM6040602TP		SCREW M4 L=6						1	
33		40073674		TH SENSOR ASM						1	
34		40072109		TC SENSOR INSTALLING PLATE				*		1	
35	R	HD00204000A	HD00203000A	SENSOR				*		1	1.00
36	R	HD00204000B	HD00203000B	SENSOR				*		1	1.00
37		SM6020450TP		SCREW						2	
38		40072110		THREAD HOLD MOTOR INSTALLING PLATE						1	
39		GBR0118500A		WASHER						1	
40	R	40076239	40155049	TC_OPEN_PLATE						1	1.00
41		SD0350156TP		SHOULDER SCREW						1	
42		NM6030003SC		NUT M3						1	

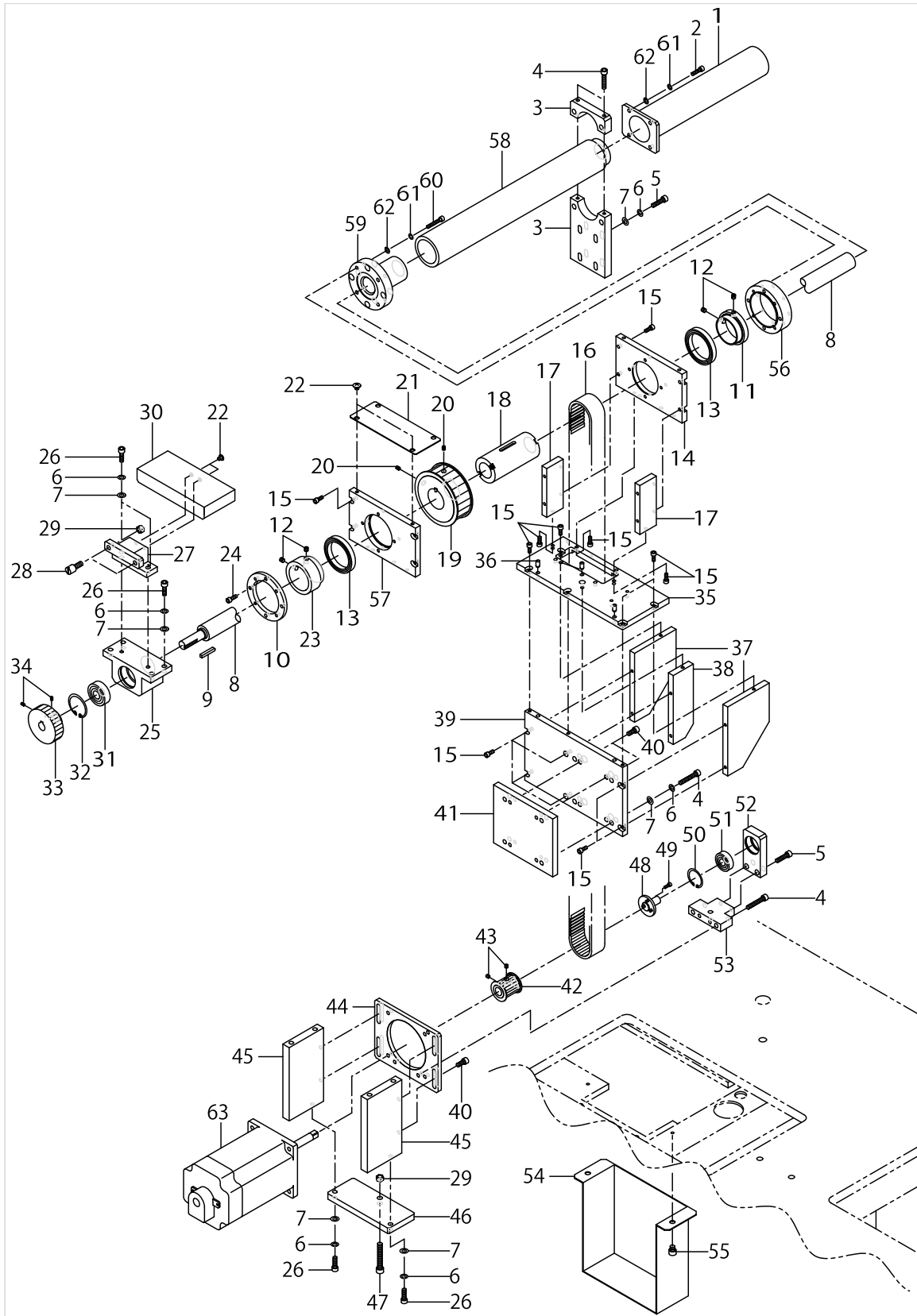
X-Y COMPONENTS (1)



X-Y COMPONENTS (1)

No.	Supply Code	Parts No.	Replacement	Parts name	Remarks	Choice	Step	Level	Cons	Qty	Rep. QTY
1		-		-						1	
2		-		SCREW M4X16						4	
3		-		-						1	
4		-		SCREW M5X30						8	
5		-		SCREW M5X20						4	
6		-		SW						16	
7		-		W						16	
8		40123775		SPLINE SHAFT						1	
9		40123904		BLOCK						1	
10		-		-						1	
11		-		-						1	
12		-		SCREW M5X5						4	
13		40123905		BEARING						2	
14		-		-						1	
15		-		SCREW M4X10						24	
16		40123774		TIMING_BELT						1	
17		-		-						2	
18		40123773		BUSH						1	
19		40123776		X DRIVE TIMING PULLEY						1	
20		-		SCREW M4X5						2	
21		-		-						1	
22		-		SCREW M4X5						6	
23		-		-						1	
24		-		SCREW M4X12						4	
25		-		-						1	
26		-		SCREW M5X16						8	
27		-		-						1	
28		-		-						2	
29		-		NUT M6						2	
30		-		-						1	
31		40123903		BEARING						1	
32		40123772		RETAINING RING						1	
33		40123771		CP PINION						1	
34		-		SCREW M3X5						2	
35		-		-						1	
36		-		-						19	
37		-		-						2	
38		-		-						1	
39		-		-						1	
40		-		SCREW M5X12						8	
41		-		-						1	
42		40123778		XY MOTOR TIMING PULLEY						1	
43		-		SCREW M5X4						2	
44		-		-						1	
45		-		-						2	
46		-		-						1	

X-Y COMPONENTS (1)

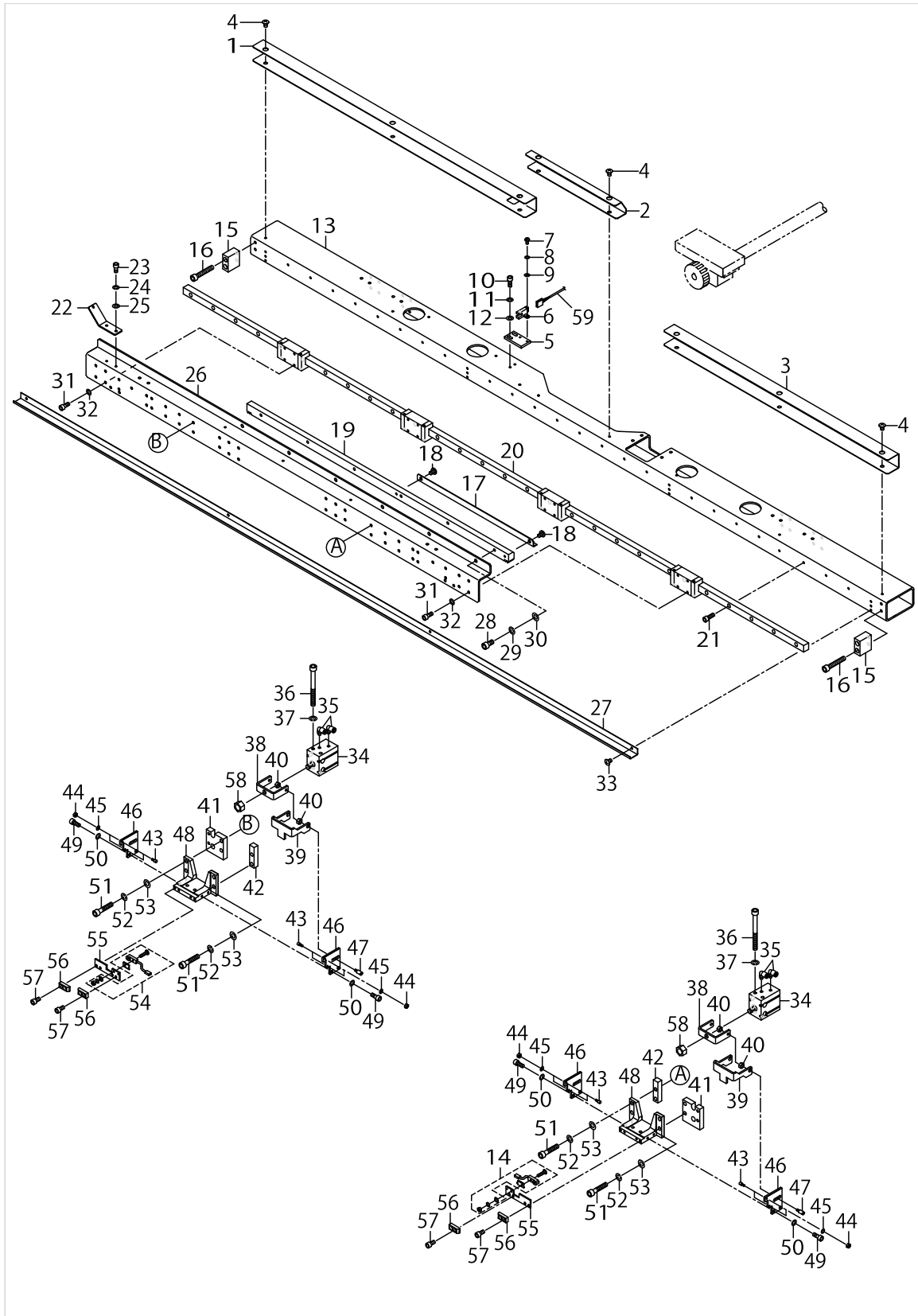


X-Y COMPONENTS (1)

No.	Supply Code	Parts No.	Replacement	Parts name	Remarks	Choice	Step	Level	Cons	Qty	Rep. QTY
47		-		SCREW M6X40						1	
48		40123777		SHAFT						1	
49		-		SCREW M3X8						3	
50		-		-						1	
51		40123826		BEARING						1	
52		-		-						1	
53		-		-						1	
54		-		-						1	
55		-		SCREW M6X6						2	
56		-		-						1	
57		-		-						1	
58		-		-						1	
59		-		-						1	
60		-		SCREW M4X25						4	
61		-		SW						8	
62		-		W						8	
63		40104419		ENCODER MOTOR ASM.(X-Y)						1	



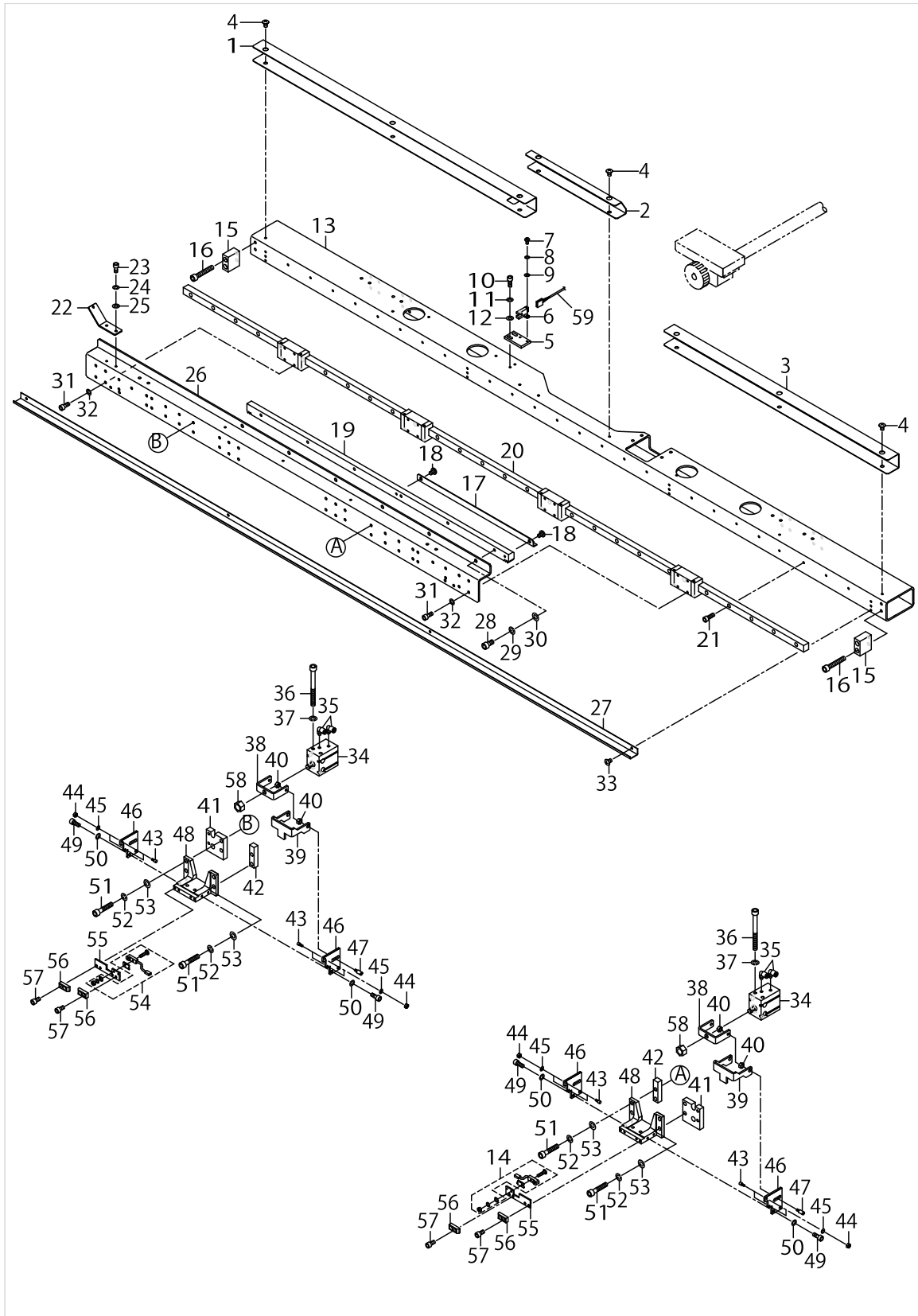
X-Y COMPONENTS (2)



X-Y COMPONENTS (2)

No.	Supply Code	Parts No.	Replacement	Parts name	Remarks	Choice	Step	Level	Cons	Qty	Rep. QTY
1		-		-						1	
2		-		-						1	
3		-		-						1	
4		-		SCREW M4X6						8	
5		-		-						1	
6		-		-						1	
7		-		SCREW M3X6						2	
8		-		SW						2	
9		-		W						2	
10		-		SCREW M4X10						2	
11		-		SW						2	
12		-		W						2	
13		-		-						1	
14		-		-						1	
15		-		-						2	
16		-		SCREW M5X30						4	
17		-		-						1	
18		-		-						2	
19		40123768		CP RACK						1	
20		40123769		LM GUIDE						1	
21		-		SCREW M4X12						28	
22		-		-						1	
23		-		SCREW M4X8						2	
24		-		SW						2	
25		-		W						2	
26		40123900		X FEED BASE						1	
27		-		-						1	
28		-		SCREW M5X10						6	
29		-		SW						6	
30		-		W						6	
31		-		SCREW M4X10						16	
32		-		SW						16	
33		-		SCREW M4X6						4	
34		40123901		AIR CYLINDER						2	
35		-		-						4	
36		-		SCREW M5X55						4	
37		-		SW						4	
38		40123763		CYLINDER_PLATE						2	
39		40123764		GUIDE_PLATE						2	
40		-		NUT M4						4	
41		-		-						2	
42		-		-						4	
43		40123907		PIN						8	
44		-		NUT M3						8	
45		-		SW						8	
46		40123906		PIN PLATE						4	

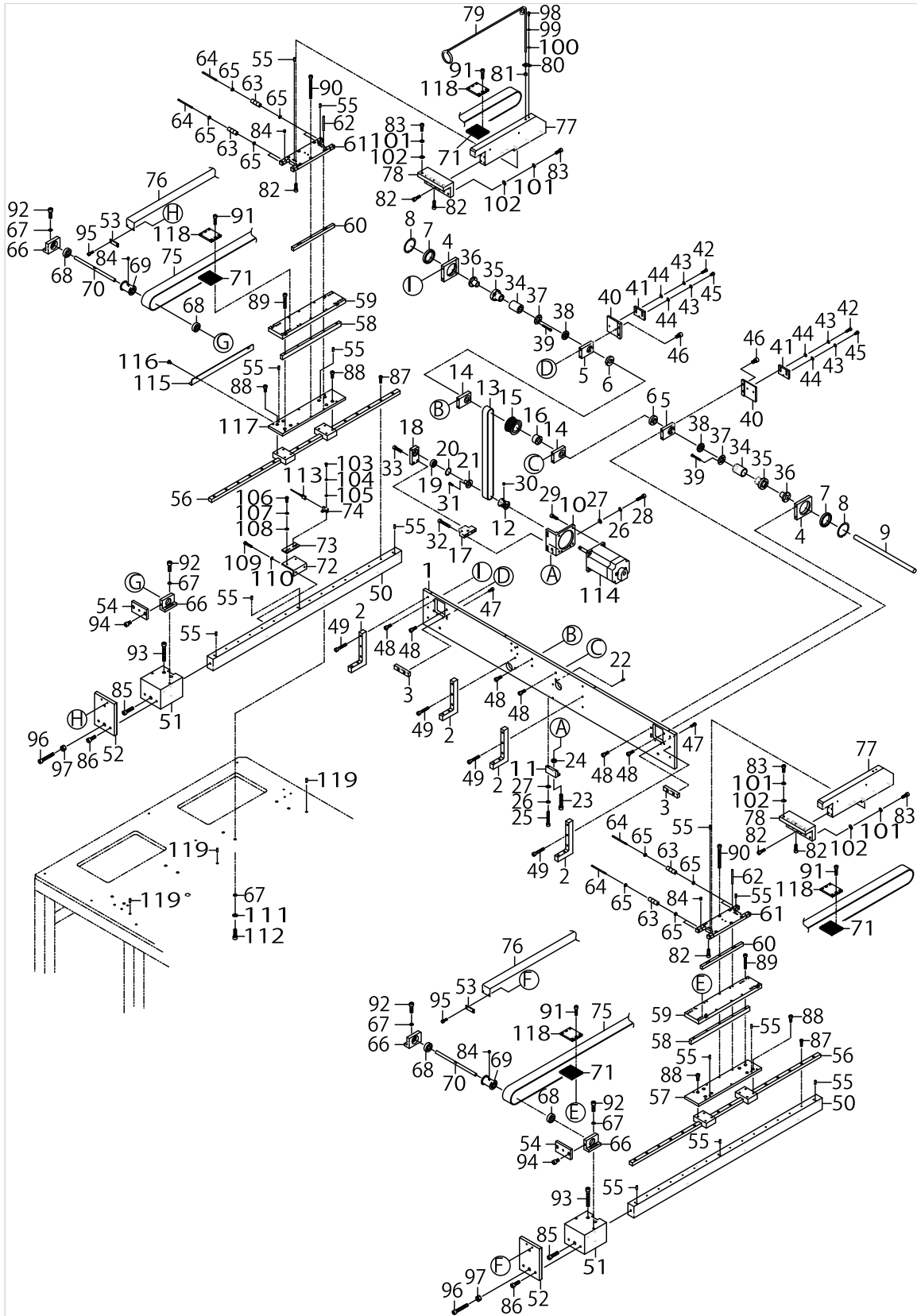
X-Y COMPONENTS (2)



X-Y COMPONENTS (2)

No.	Supply Code	Parts No.	Replacement	Parts name	Remarks	Choice	Step	Level	Cons	Qty	Rep. QTY
47		40123765		CLUTCH STOPPER JIG						4	
48		-		-						2	
49		-		SCREW M4X10						4	
50		-		SW						4	
51		-		SCREW M5X25						8	
52		-		SW						8	
53		-		W						8	
54		-		-						1	
55		40123767		POSITIONING PLATE						2	
56		40123766		POSITIONING BLOCK3						4	
57		-		SCREW M4X8						8	
58		-		NUT M8						2	
59		-		-						1	

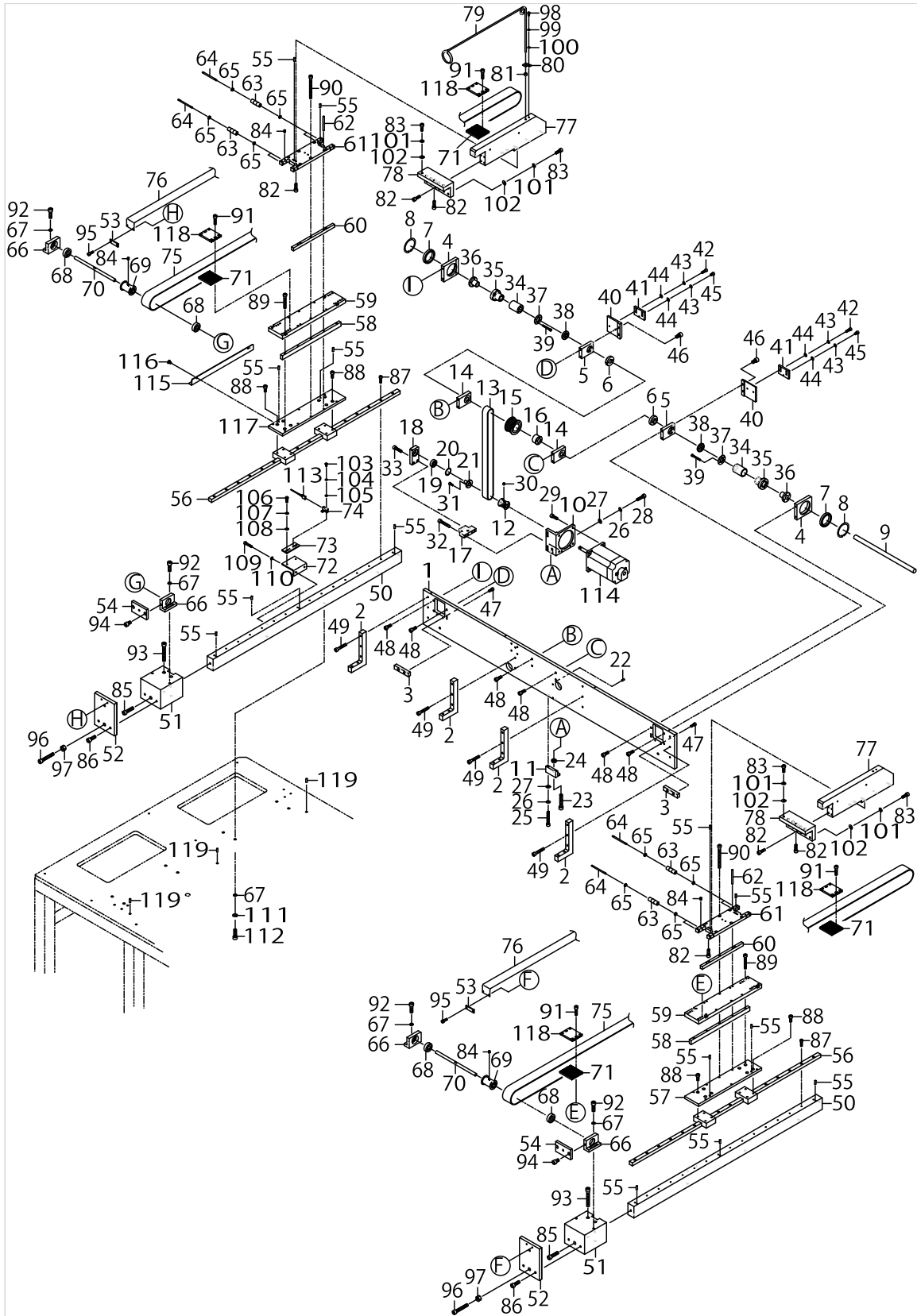
X-Y COMPONENTS (3)



X-Y COMPONENTS (3)

No.	Supply Code	Parts No.	Replacement	Parts name	Remarks	Choice	Step	Level	Cons	Qty	Rep. QTY
1		-		-						1	
2		-		-						4	
3		40123817		Y STOPPER1						2	
4		-		-						2	
5		-		-						2	
6		40123814		COLLAR						2	
7		40123816		BEARING						2	
8		-		-						2	
9		40123815		SHAFT						1	
10		-		-						1	
11		-		-						1	
12		40123778		XY MOTOR TIMING PULLEY						1	
13		40123823		TIMING BELT						1	
14		-		-						2	
15		40123825		Y DRIVE TIMING PULLEY						1	
16		40123824		POWER LOCK						1	
17		-		-						1	
18		-		-						1	
19		40123826		BEARING						1	
20		-		-						1	
21		40123777		SHAFT						1	
22		-		-						3	
23		-		SCREW M6X35						1	
24		-		NUT M6						1	
25		-		SCREW M5X35						2	
26		-		SW						5	
27		-		W						5	
28		-		SCREW 5X20						3	
29		-		SCREW M5X15						4	
30		-		SCREW M4X4						2	
31		-		SCREW M3X8						3	
32		-		SCREW M5X30						2	
33		-		SCREW M5X20						2	
34		40123820		Y TIMING PULLEY1						2	
35		40123821		TIMINGPULLEYBOSS						2	
36		40123822		POWER LOCK						2	
37		40123818		PULLEY FLANGE						2	
38		40123819		SPACER						2	
39		-		SCREW M3X25						12	
40		-		-						2	
41		-		-						2	
42		-		SCREW M4X12						4	
43		-		SW						6	
44		-		W						6	
45		-		SCREW M4X6						2	
46		-		SCREW M6X10						4	

X-Y COMPONENTS (3)

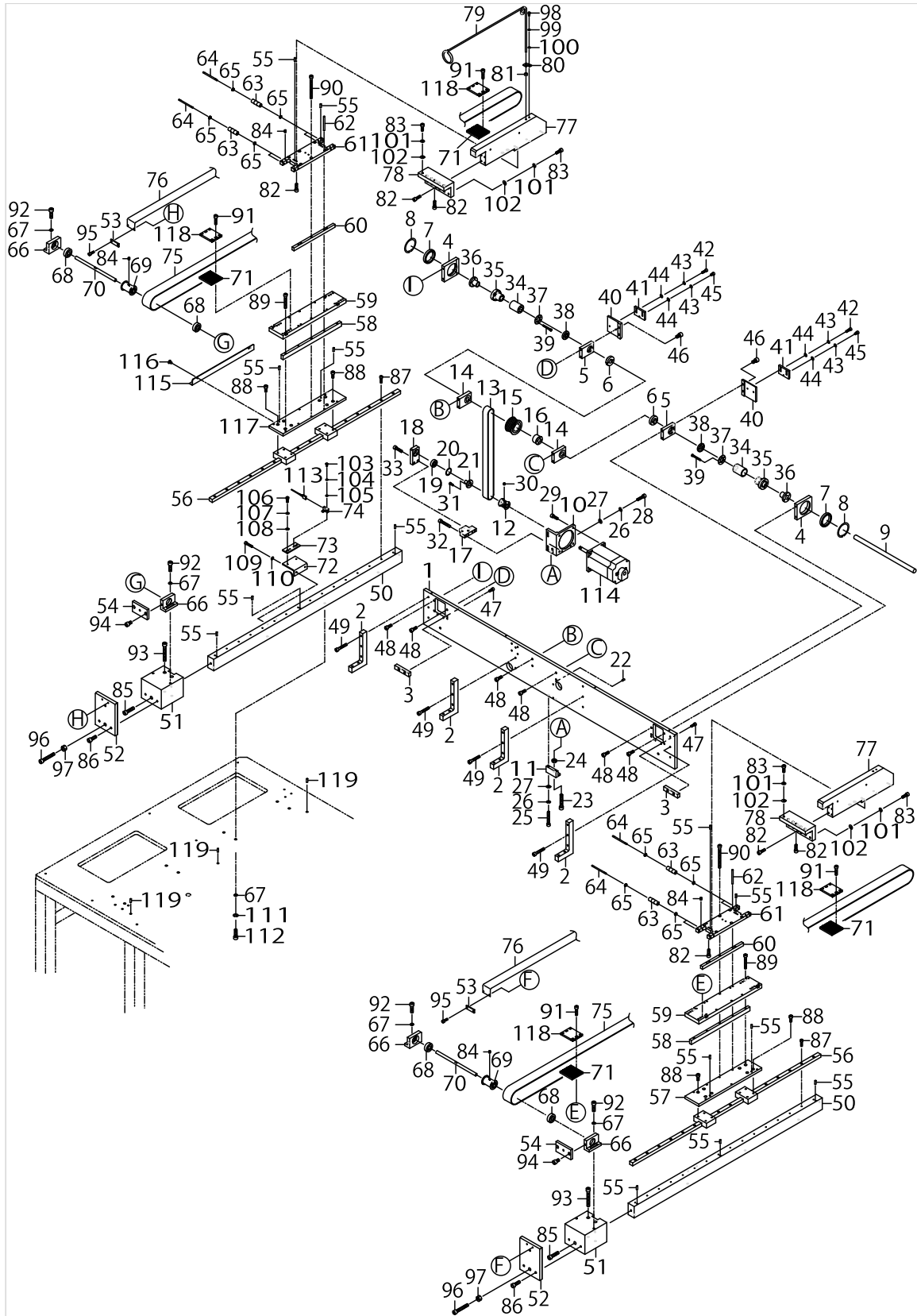


X-Y COMPONENTS (3)

No.	Supply Code	Parts No.	Replacement	Parts name	Remarks	Choice	Step	Level	Cons	Qty	Rep. QTY
47		-		SCREW M4X10						4	
48		-		SCREW M5X12						12	
49		-		SCREW M5X30						12	
50		-		-						2	
51		-		-						2	
52		-		-						2	
53		-		-						2	
54		-		-						2	
55		-		-						14	
56		40123792		LM GUIDE						2	
57		-		-						1	
58		-		-						4	
59		-		-						2	
60		-		-						4	
61		40123787		Y FEED BASE						2	
62		-		-						4	
63		40123785		GUIDE ROLLER						8	
64		40123784		SHAFT						8	
65		40123786		BEARING						16	
66		-		-						4	
67		-		-						4	
68		40123789		BEARING						4	
69		40123790		Y TIMING PULLEY2						2	
70		40123791		SHAFT						2	
71		-		-						4	
72		-		-						1	
73		-		-						1	
74		-		-						1	
75		40123788		TIMING BELT						2	
76		40123783		DUSTPROOF_BELT						2	
77		40123779		Y SUPPORT ARM						2	
78		-		-						2	
79		40123780		AIR TUBE SUPPORT						1	
80		40123781		AIR TUBE SUPPORT STOPPER						1	
81		40123782		COLLAR						1	
82		-		SCREW M5X16						24	
83		-		SCREW M5X14						24	
84		-		SCREW M4X5						20	
85		-		SCREW M6X25						4	
86		-		SCREW M6X18						4	
87		-		SCREW M4X14						32	
88		-		SCREW M5X12						16	
89		-		SCREW M5X35						8	
90		-		SCREW M5X60						4	
91		-		SCREW M5X20						24	
92		-		SCREW M6X20						4	



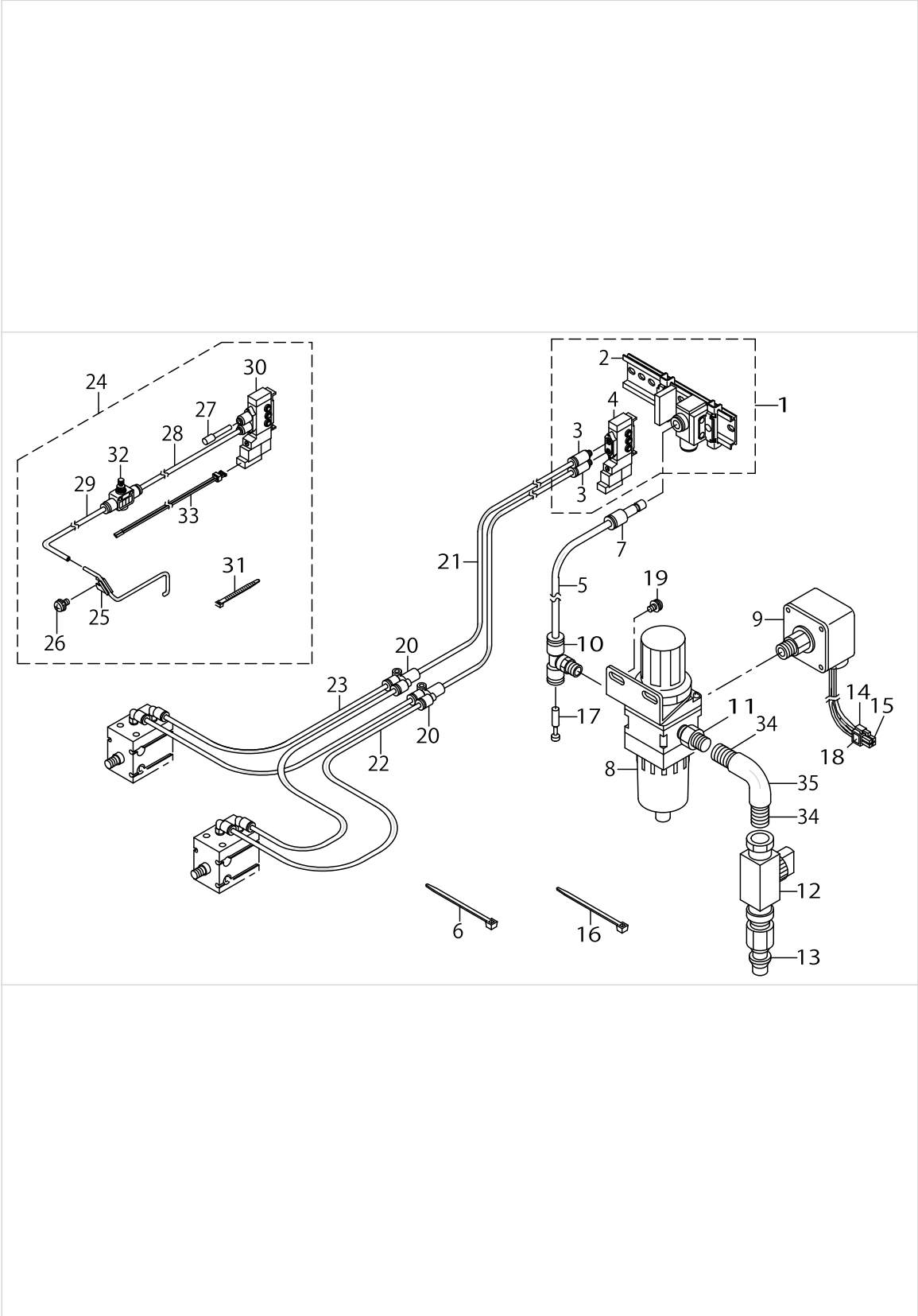
X-Y COMPONENTS (3)



X-Y COMPONENTS (3)

No.	Supply Code	Parts No.	Replacement	Parts name	Remarks	Choice	Step	Level	Cons	Qty	Rep. QTY
93		-		SCREW M6X45						4	
94		-		SCREW M6X10						4	
95		-		SCREW M4X12						4	
96		-		SCREW M6X40						2	
97		-		NUT M6						2	
98		-		SCREW M3X6						1	
99		-		SW						1	
100		-		W						1	
101		-		SW						24	
102		-		W						24	
103		-		SCREW M3X6						2	
104		-		SW						2	
105		-		W						2	
106		-		SCREW M4X10						2	
107		-		SW						2	
108		-		W						2	
109		-		SCREW M4X20						2	
110		-		SW						2	
111		-		SW						8	
112		-		SCREW M6X20						8	
113		-		-						1	
114		40104419		ENCODER MOTOR ASM.(X-Y)						1	
115		-		-						1	
116		-		SCREW M4X6						2	
117		-		-						1	
118		-		-						4	
119		-		-						6	

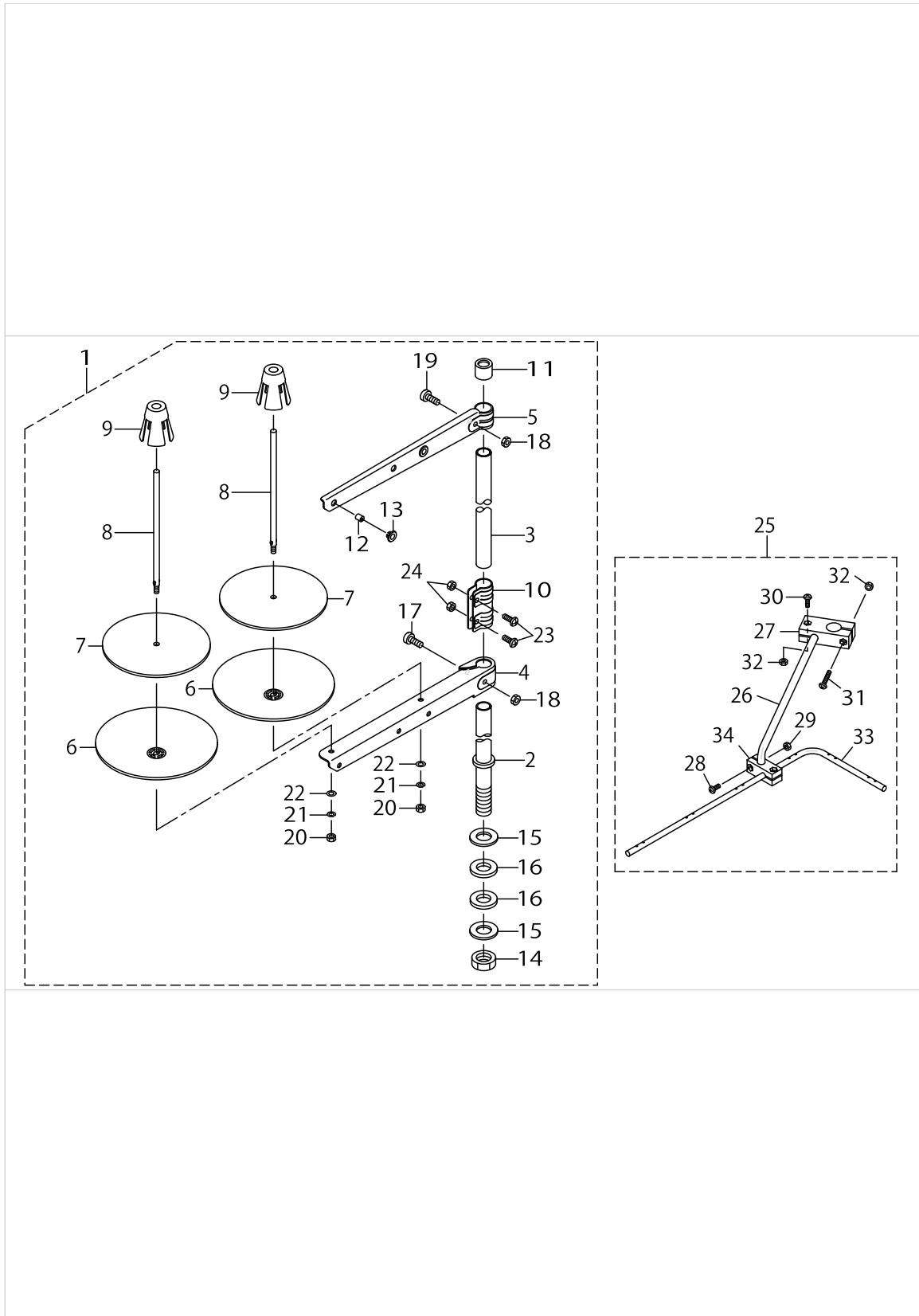
PNEUMATIC COMPONENTS



PNEUMATIC COMPONENTS

No.	Supply Code	Parts No.	Replacement	Parts name	Remarks	Choice	Step	Level	Cons	Qty	Rep. QTY
1		40072220		SOLENOID_VALVE_ASM						1	
2		PV915005000		SOLENOID VALVE I- NSTALLING BASE				*		1	
3		PJ301040505		HALF UNION				*		2	
4		PV150209100		SOLENOID VALVE				*		1	
5		BT0600401EB		TUBE						1.1	
6		EA9500B0100		CABLE BAND						1	
7		PJ301060003		REDUCER						1	
8		PF0552040B0		FILTER REGULATOR						1	
9	R	G8124270000	G85048750A0	AIRPRESSUESWITCH		A	AVP-875			1	1.00
9	R	G8124270000	40030951	AIRPRESSUESWITCH		B	AMS-210E- N,AMS-221EN			1	1.00
9	R	G8124270000	B47152150A0	AIRPRESSUESWITCH		C	MEB-3200,- LK-1910/2- 0/30/41,AMS-224E			1	1.00
10		PJ305065202		TEE						1	
11		PJ030520001		RING JOINT (NIPPLE)						1	
12	R	G5430116000	40030951	AIR COCK						1	1.00
13		PJ309005203		QUICK JOINT PLUG						1	
14		HK034610040		HOUSING						1	
15		HK034640000		PIN CONTACT						3	
16		EA9500B0100		CABLE BAND						5	
17		PX950009000		PLUG						1	
18	D	E2678453000		CONNECTOR MARKER J78						1	
19		SL4051091SC		SCREW M5X0.8 L=10						2	
20		40123810		UNION Y						2	
21		BT0400251EB		URETHANE HOSE, BLACK						1	
22		BT0400251EB		URETHANE HOSE, BLACK						1	
23		BT0400251EB		URETHANE HOSE, BLACK						1	
24		40035692		NEEDLE COOLER ASM.						1	
25		40035694		NEEDLE COOLER COMPL.				*		1	
26		SL4051091SC		SCREW M5X0.8 L=10				*		1	
27		PX500014000		PLUG				*		1	
28		BT0400251EB		URETHANE HOSE, BLACK				*		0.7	
29		BT0400251EB		URETHANE HOSE, BLACK				*		0.3	
30		PV150209000		5 PORT SOLENOID VALVE				*		1	
31		HX002330000		CLIP				*		3	
32		PC012401000		SPEED CONTROLLER				*		1	
33		40035324		SOLENOID VALVE CONNECTER ASM				*		1	
34		40123811		NIPPLE						2	
35		40123812		ELBOW UNION						1	

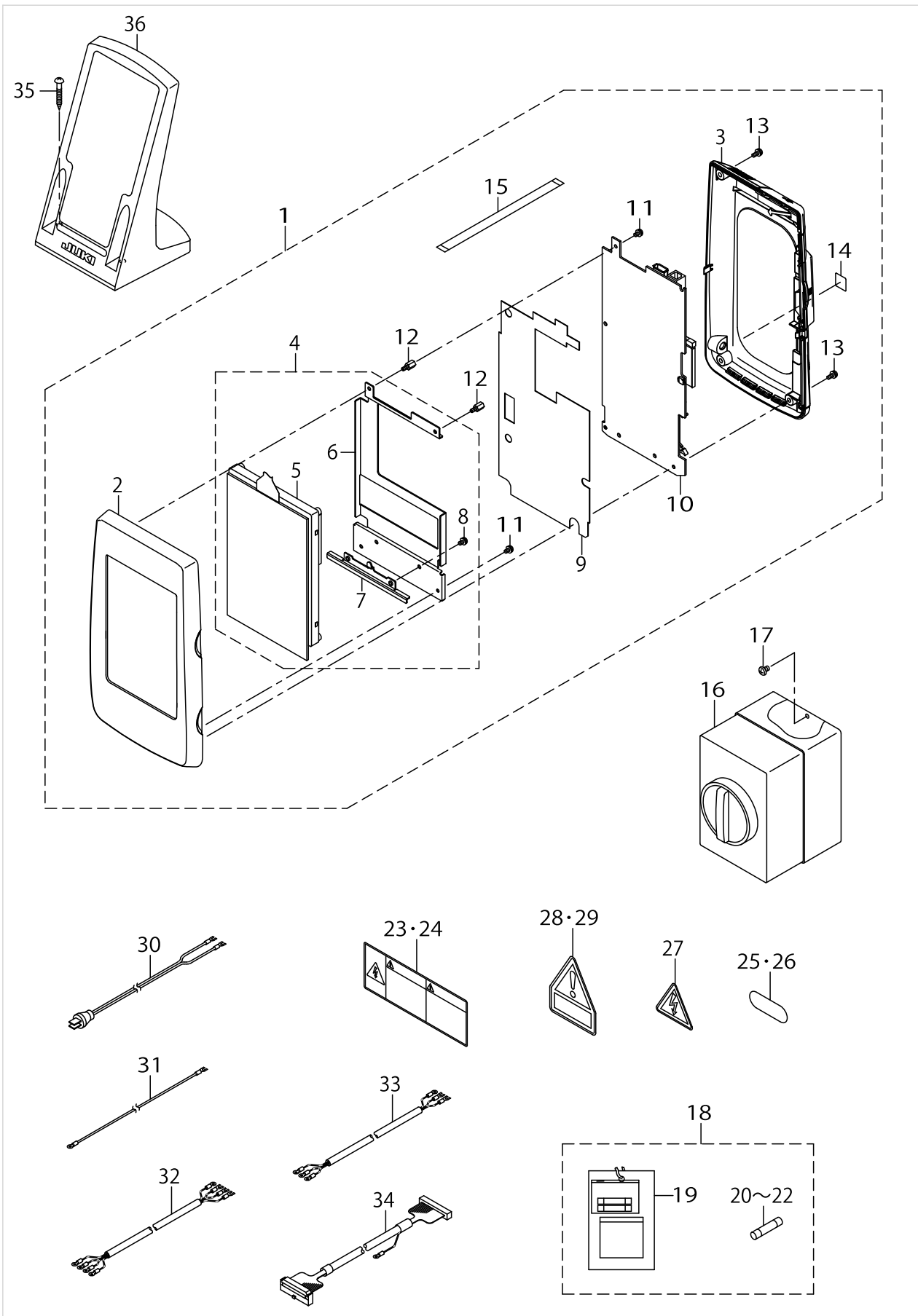
THREAD STAND COMPONENTS(ACCESSORIE PARTS)



THREAD STAND COMPONENTS(ACCESSORIE PARTS)

No.	Supply Code	Parts No.	Replacement	Parts name	Remarks	Choice	Step	Level	Cons	Qty	Rep. QTY
1		40096354		THREAD STAND ASM.						1	
2		40085784		SPOOL REST ROD LOWER				*		1	
3		40085785		SPOOL REST ROD UPPER				*		1	
4		40085786		SPOOL REST ARM LOWER				*		1	
5		40085787		SPOOL REST ARM UPPER				*		1	
6		40085788		SPOOL REST				*		2	
7		40085789		SPOOL REST CUSHION				*		2	
8		40085790		SPOOL PIN				*		2	
9		40085791		SPOOL RETAINER				*		2	
10		40085792		SPOOL REST ROD JOINT				*		1	
11		40085793		SPOOL REST ROD RUBBER CAP				*		1	
12		40085794		THREAD GUIDE				*		2	
13		40085795		THREAD GUIDE BUSHING				*		2	
14		40096325		SPOOL REST ROD NUT				*		1	
15		WP1612616SE		WASHER 16X30X2.6				*		2	
16		40085796		SPOOL REST ROD RUBBER CUSHION				*		2	
17		40096326		SPOOL REST ARM LOWER SCREW				*		1	
18		NM6050001SE		NUT M5				*		2	
19	R	40096327	SM4053001SE	SPOOL REST ARM UPPER SCREW				*		1	1.00
20		NM6050001SE		NUT M5				*		2	
21		WS0510002KN		SPRING WASHER M5				*		2	
22		WP0531001SC		WASHER M5				*		2	
23		SM4051405SE		SCREW M5 L=14				*		2	
24		NM6050001SE		NUT M5				*		2	
25		26910059		THREAD GUIDE ARM ASM.						1	
26	R	13168109	26910059	THREAD GUIDE ARM BASE				*		1	1.00
27	R	13168208	26910059	THREAD GUIDE ARM BASE				*		1	1.00
28		SM4041001SC		SCREW M4X0.7 L=10				*		2	
29		NM6040002SE		NUT M4X0.7				*		2	
30		SM4041201SC		SCREW M4 L=12				*		1	
31		SM4042001SC		SCREW M4 X 20				*		1	
32		NM6040002SE		NUT M4X0.7				*		2	
33	R	13167903	26910059	THREAD STANDING THREAD GUIDE				*		1	1.00
34	D R	13168000	26910059	THREAD GUIDE BASE, LOWER				*		1	1.00

OPERATION PANEL COMPONENTS

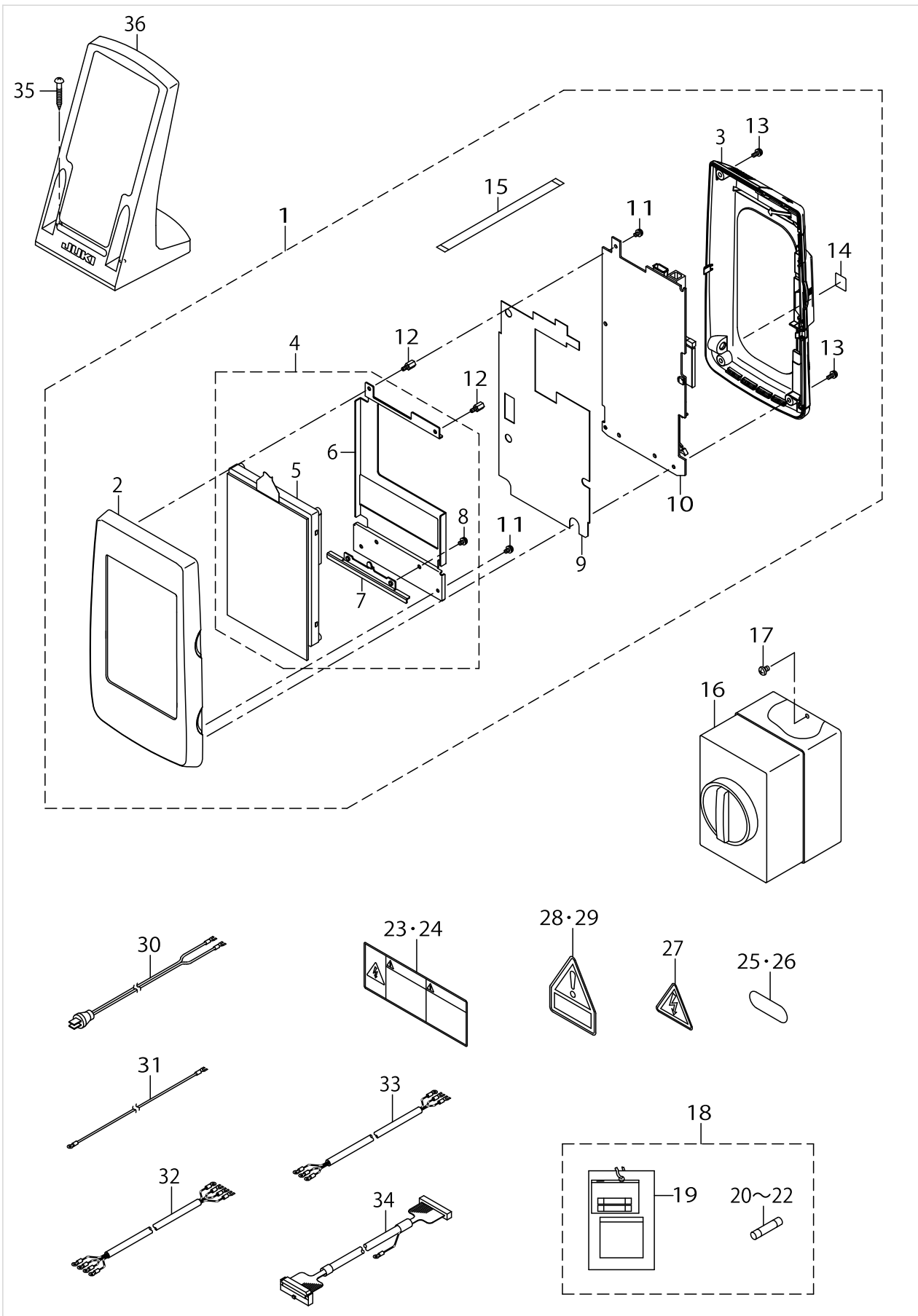


OPERATION PANEL COMPONENTS

No.	Supply Code	Parts No.	Replacement	Parts name	Remarks	Choice	Step	Level	Cons	Qty	Rep. QTY
1		40086485		IP-420F PANEL ASSY						1	
2		40078163		FRONT_CASE				*		1	
3		40080799		REAR_CASE_ASSY				*		1	
4		40080800		LCD_ASSY				*		1	
5		40086541		LCD TOUCH PANEL ASSY	TECHNICAL INFOMATI- ON (A16-029)			*		1	
6		40083668		LCD_BRACKET	TECHNICAL INFOMATI- ON (A16-029)			*		1	
7	R	40083666	40080800	LCD_STAY				*		1	1.00
8		SL4030681SC		SCREW M3 L=6				*		2	
9		40078168		INSULATION_SHEET				*		1	
10	R	40083960	40086541	PANEL PCB ASSY		A		*		1	1.00
10	R	40083960	40083668	PANEL PCB ASSY		A		*		1	1.00
10	R	40083960	40166481	PANEL PCB ASSY		A		*		1	1.00
10	R	40083960	40166318	PANEL PCB ASSY		A		*		1	1.00
10	R	40083960	HW002650330	PANEL PCB ASSY		A		*		1	1.00
11		SL4030681SC		SCREW M3 L=6				*		3	
12		HX00354000B		PCB SUPPORT L=8MM				*		2	
13		SL4030881SC		SCREW M3X8				*		4	
14		CM600100101		WEEE MARK LABEL S				*		1	
15	R	HW002180200	HW002650330	FLAT CABLE		A		*		1	1.00
15	R	HW002180200	40083668	FLAT CABLE		A		*		1	1.00
15	R	HW002180200	40086541	FLAT CABLE		A		*		1	1.00
15	R	HW002180200	40166481	FLAT CABLE		A		*		1	1.00
15	R	HW002180200	40166318	FLAT CABLE		A		*		1	1.00
16		HA005820000		SWITCH						1	
17		SL4041091SE		SCREW M4 L=10						2	
18		40074051		OPTION A ASSY						1	
19		M300451100A		VOLTAGE INDICATION CARD,A				*		1	
20		HF00130315S		FUSE 3.15A 250V REF. NO.112				*		1	
21		HF003000200		FUSE 2A (220/240V)				*		1	
22		HF0013050P0		FUSE 5A				*		1	
23		CM300100401		LABEL 3 (LARGE)	FOR USE IN JAPAN(1-PHASE)					1	
24		CM300100401		LABEL 3 (LARGE)	FOR USE IN JAPAN,JA					1	
25		BME01100000		VOLTAGE INDICATION SEAL	FOR USE IN JAPAN(1-PHASE)					1	
26		BME03200000		VOLTAGE INDICATION SEAL	FOR USE IN JAPAN,JA					1	
27		CM300100003		VOLTAGE WARNING LABEL(25)	FOR JE,GE- NERAL EXPORT					1	
28		CM300400701		VOLTAGE CAUTION LABEL	FOR USE IN JAPAN,JA					1	
29		CM300400601		VOLTAGE CAUTION LABEL	FOR JE,GE- NERAL EXPORT					1	
30		40086468		POWER CABLE 1P PLUG ASSY	FOR USE IN JAPAN(1-PHASE)					1	
31		M90345800A0		GROUND CORD ASM.	FOR USE IN JAPAN(1-PHASE)					1	
32		40096034		POWER CABLE 3P ASSY	FOR USE IN JAPAN,JA					1	



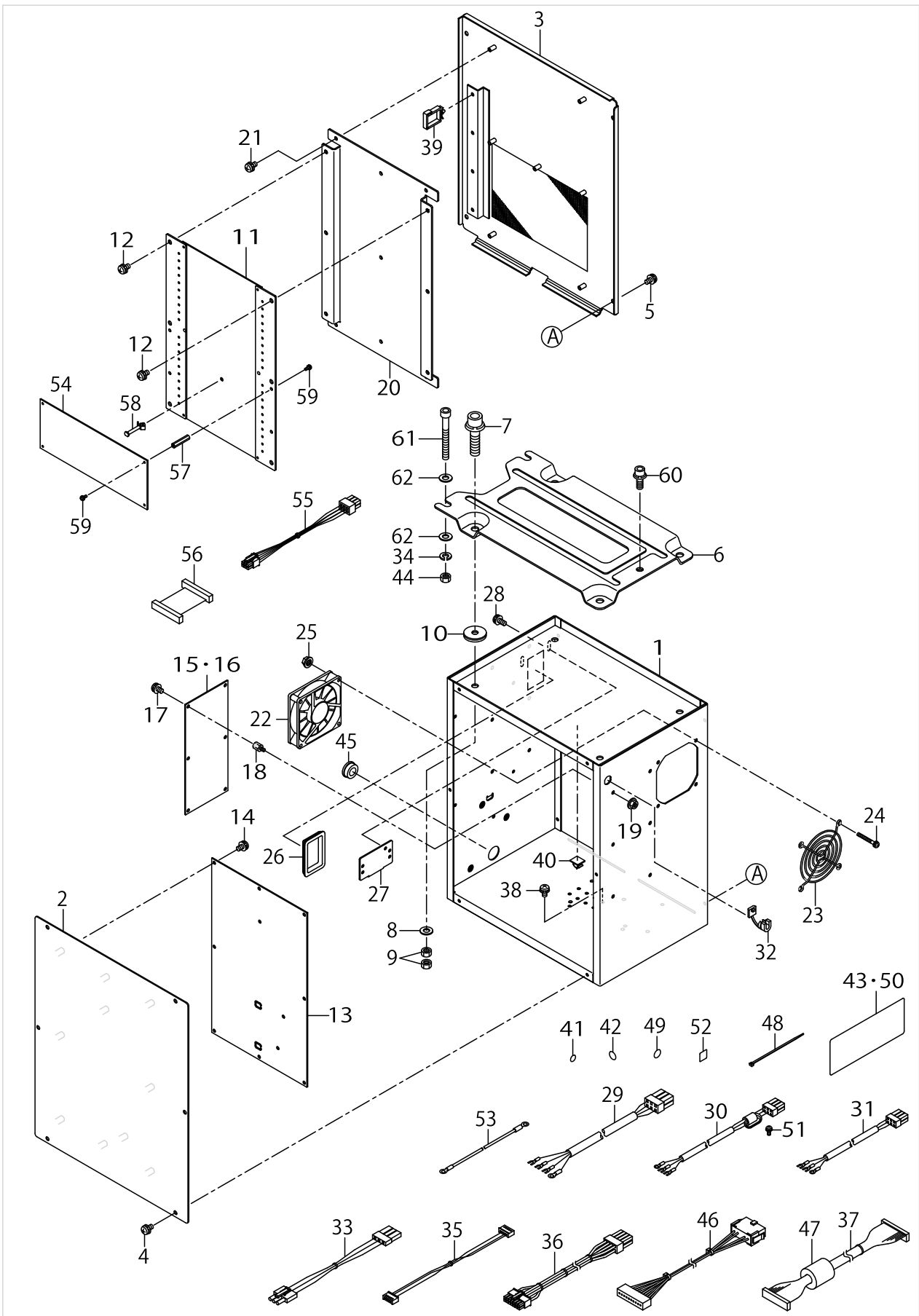
OPERATION PANEL COMPONENTS



OPERATION PANEL COMPONENTS

No.	Supply Code	Parts No.	Replacement	Parts name	Remarks	Choice	Step	Level	Cons	Qty	Rep. QTY
33		40096035		POWER CABLE 1P ASSY	FOR JE,GE- NERAL EXPORT					1	
34		40096051		PANEL CABLE L ASM						1	
35		SK3413201SE		WOOD SCREW D=4.1 L=32						2	
36		40035024		OPERATION_BOX_FIXED_PLATE(B)ASM						1	

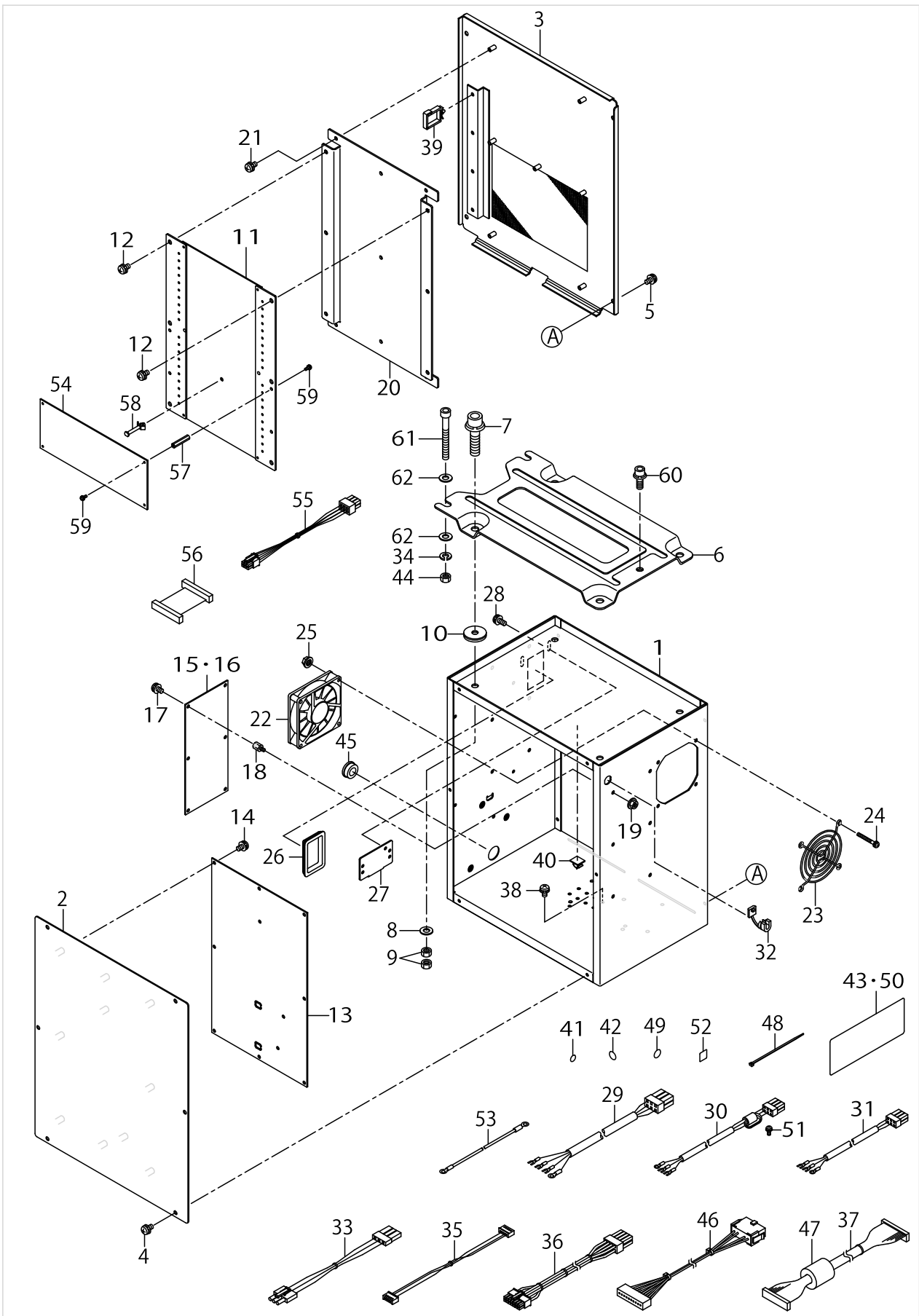
CONTROL BOX COMPONENTS



CONTROL BOX COMPONENTS

No.	Supply Code	Parts No.	Replacement	Parts name	Remarks	Choice	Step	Level	Cons	Qty	Rep. QTY
1		40055355		CONTROL BOX						1	
2		40055356		CONTROL BOX FRONT COVER						1	
3		40055357		CONTROL BOX REAR COVER						1	
4		SL4040891SC		SCREW M4 L=8						6	
5		SL4040891SC		SCREW M4 L=8						4	
6		M3801476000		CONTROL BOX FITTING PLATE						1	
7		SL6083092TN		SCREW						4	
8		WP0841601SC		WASHER 8.4X17.4X1.6						4	
9		NM6080001SC		NUT M8X1.25						8	
10		M4206461000		WASHER						4	
11		40108274		MAIN PCB C ASSY						1	
12		SL4040891SC		SCREW M4 L=8						6	
13		40082758		SDC PCB A ASSY						1	
14		SL4040881SC		SCREW M4 L=8						10	
15		40000056		FLT-T PCB A ASS'Y	FOR USE IN JAPAN (1--PHASE 10-0V,1-PHASE 200V), JUS(3-PHASE 200V)					1	
16	R	40000046	40162838	FLT-S PCB A ASS'Y	FOR CE, G-ENERAL EXPORT					1	1.00
17		SL4040881SC		SCREW M4 L=8						6	
18		HX003390000		STUD						6	
19		NM3040520SC		NUT M4						6	
20		40005706		MAIN PCB HOLDER PLATE						1	
21		SL4040881SC		SCREW M4 L=8						5	
22		40005401		FAN MOTOR ASS'Y						1	
23		KM000000480		FAN MOTOR						1	
24		SL4043591SC		SCREW						4	
25		NM3040520SC		NUT M4						4	
26		HX004070000		BUSH						1	
27		17845009		CORD FITTING PLATE						1	
28		SL4041091SC		SCREW M4 L=10						2	
29		40096030		POWER CORD 3P ASSY	FOR USE IN JAPAN (1--PHASE 10-0V,1-PHASE 200V), JUS(3-PHASE 200V)					1	
30		40096031		POWER CORD JE ASSY	FOR CE					1	
31	R	40096032	40123193	POWER CORD 1P ASSY	GENERAL EXPORT					1	1.00
32		HX00410000A		STRAIN RELIEF BUSHING						1	
33		40005393		FLT-SDC CORD P ASS'Y						1	
34		WS0820002KN		SPRING WASHER M8						2	
35		40005394		FLT-SDC CORD S ASS'Y						1	
36		40005726		SDC-MAIN CORD P ASSY						1	
37		40005727		SDC-MAIN CORD S ASSY						1	
38		SL4040891SC		SCREW M4 L=8						4	
39		HX005110000		WIRE SADDLE						3	

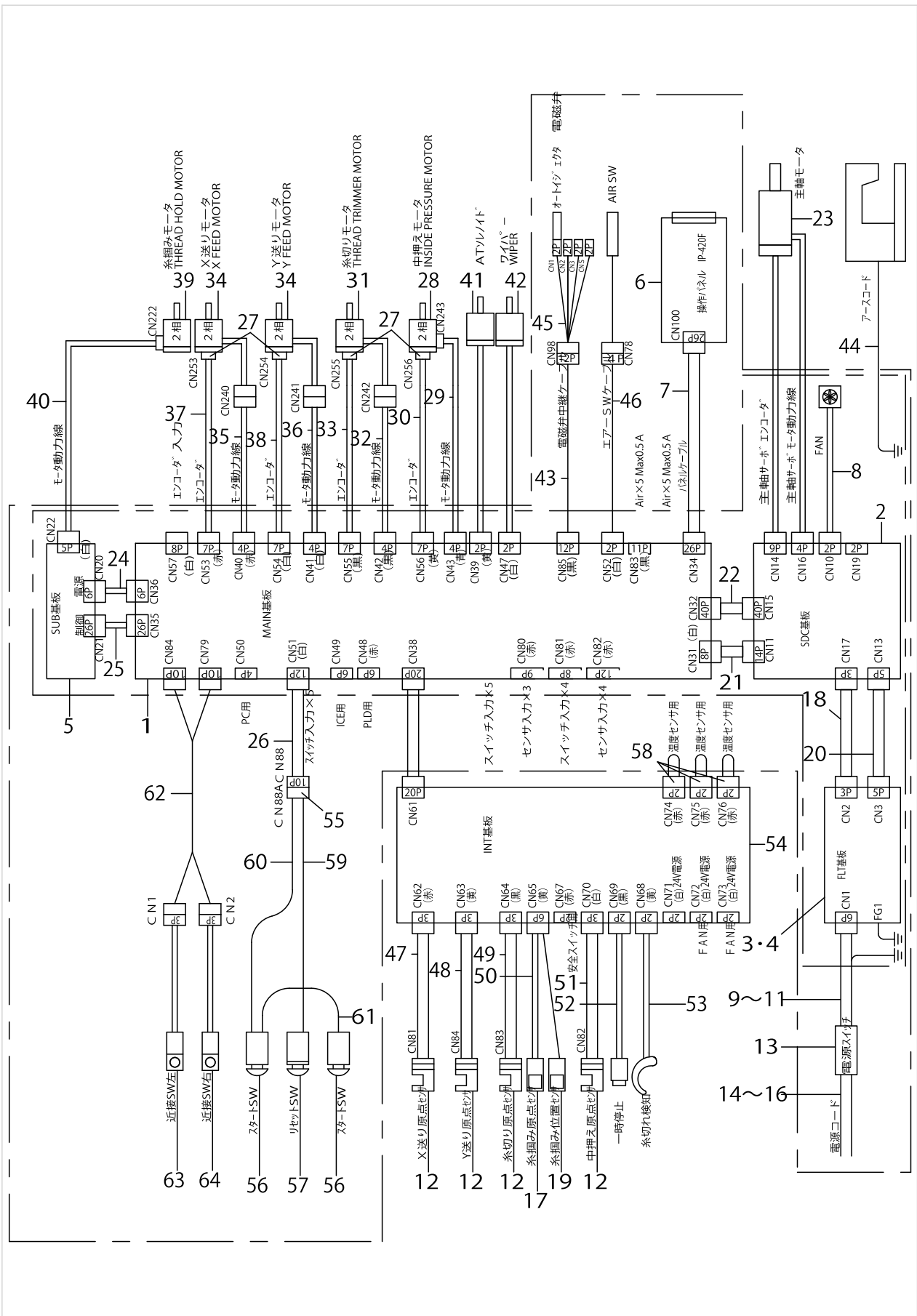
CONTROL BOX COMPONENTS



CONTROL BOX COMPONENTS

No.	Supply Code	Parts No.	Replacement	Parts name	Remarks	Choice	Step	Level	Cons	Qty	Rep. QTY
40		E9607603000		STICKER (SMALL)						1	
41		E9567319000		EARTH MARK						1	
42		40003458		MASK SEAL						16	
43		40051640		ELECTRICAL_RATING_LABEL_UNIVERSAL	FOR USE IN JAPAN (1-PHASE 10-0V, 1-PHASE 200V), JUS(3-PHASE 200V), GENERAL EXPORT					1	
44		NM6080001SC		NUT M8X1.25						2	
45		HX00326000K		GROMMET						1	
46		40073659		SWRELAYCORDASM.						1	
47		HN001490000		CLAMP FILTER(L)						1	
48		EA9500B0100		CABLE BAND						1	
49		CM200100001		PE MARK LABEL	FOR CE					1	
50	D	40057278		ELECTRICAL_RATING_LABEL_CE_UNIVERSAL	FOR CE					1	
51		SL4041081SC		SCREW M4 L=10	FOR CE					1	
52		CM600100101		WEEE MARK LABEL S	FOR CE					1	
53		M90295800A0		FDD EARTH CORD ASM.						1	
54		40073651		SUB PCB ASSY						1	
55		40062367		SUB-MAIN CORD P ASSY						1	
56		40062368		SUB-MAIN CORD S ASSY						1	
57		HX00418000E		SPACER						4	
58		HX00147000J		SPACER						1	
59		SL4030881SC		SCREW M3X8						8	
60		SL6082092TN		BOLT						1	
61		SM6087002TN		SCREW M8 L=70						2	
62		WP0841601SC		WASHER 8.4X17.4X1.6						4	

WIRING DIAGRAM

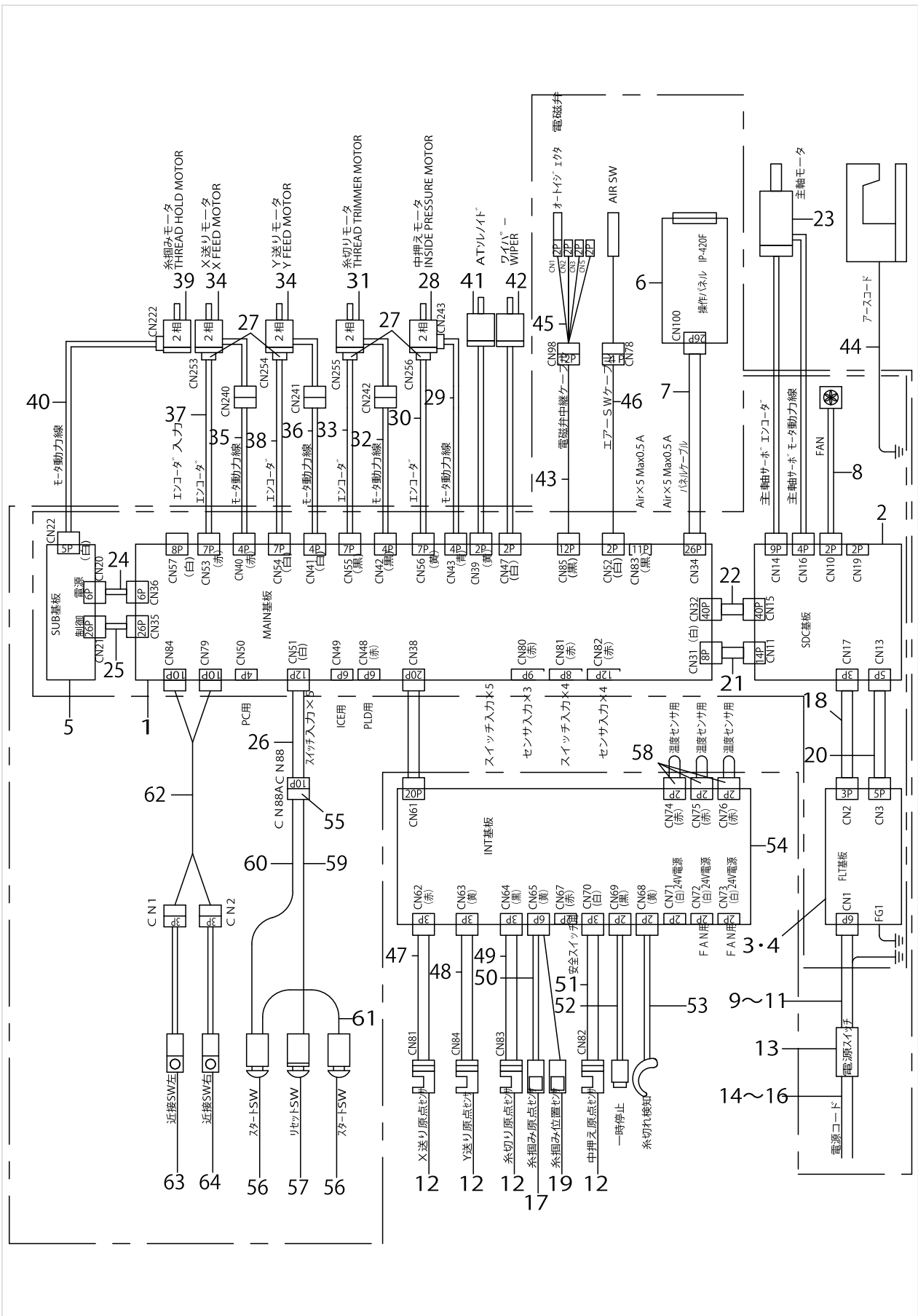


WIRING DIAGRAM

No.	Supply Code	Parts No.	Replacement	Parts name	Remarks	Choice	Step	Level	Cons	Qty	Rep. QTY
1		40108274		MAIN PCB C ASSY						1	
2		40082758		SDC PCB A ASSY						1	
3		40000056		FLT-T PCB A ASS'Y	FOR 1-PH-ASE/3-PHASE					1	
4	R	40000046	40162838	FLT-S PCB A ASS'Y	FOR CE,G-ENERAL EXPORT					1	1.00
5		40073651		SUB PCB ASSY						1	
6		40086485		IP-420F PANEL ASSY						1	
7		40096051		PANEL CABLE L ASM						1	
8		40005401		FAN MOTOR ASS'Y						1	
9		40096030		POWER CORD 3P ASSY	FOR 1-PH-ASE/3-PHASE					1	
10		40096031		POWER CORD JE ASSY	FOR CE					1	
11	R	40096032	40123193	POWER CORD 1P ASSY	GENERAL EXPORT					1	1.00
12		HD00057000A		PHOTO SENSOR						3	
13		HA005820000		SWITCH						1	
14		40086468		POWER CABLE 1P PLUG ASSY	FOR USE IN JAPAN (1--PHASE 100V)					1	
15		40096034		POWER CABLE 3P ASSY	FOR 3-PHASE					1	
16		40096035		POWER CABLE 1P ASSY	FOR CE,G-ENERAL EXPORT					1	
17	R	HD00204000A	HD00203000A	SENSOR						1	1.00
18		40005393		FLT-SDC CORD P ASS'Y						1	
19	R	HD00204000B	HD00203000B	SENSOR						1	1.00
20		40005394		FLT-SDC CORD S ASS'Y						1	
21		40005726		SDC-MAIN CORD P ASSY						1	
22		40005727		SDC-MAIN CORD S ASSY						1	
23		40052937		550W_SERVO_MOTOR						1	
24		40062367		SUB-MAIN CORD P ASSY						1	
25		40062368		SUB-MAIN CORD S ASSY						1	
26		40073659		SW RELAY CORD ASM						1	
27		HD002780000		SENSOR						4	
28		40071942		STEPPING MOTOR						1	
29		40073623		IPMOTORCABLEASM						1	
30		40073640		IP ENCODER CABLE ASM						1	
31		40071944		STEPPING MOTOR						1	
32		40073622		TT MOTOR CABLE ASM						1	
33		40073639		TT ENCODER CABLE ASM						1	
34		40071945		STEPPING MOTOR						2	
35		40073620		X MOTORCABLE ASM						1	
36		40073621		Y MOTORCABLE ASM						1	
37		40073632		X ENCODER CABLE ASM						1	
38		40073638		Y ENCODER CABLE ASM						1	
39		40075079		STEPPING MOTOR						1	
40		40073626		TH MOTOR CABLE ASM						1	
41		40073660		AT SOLENOID						1	
42		40072151		WIPER ASM						1	
43		40108280		AIR RELAY CABLE ASM						1	
44		14115554		HEAD GROUND CABLE A ASM.						1	



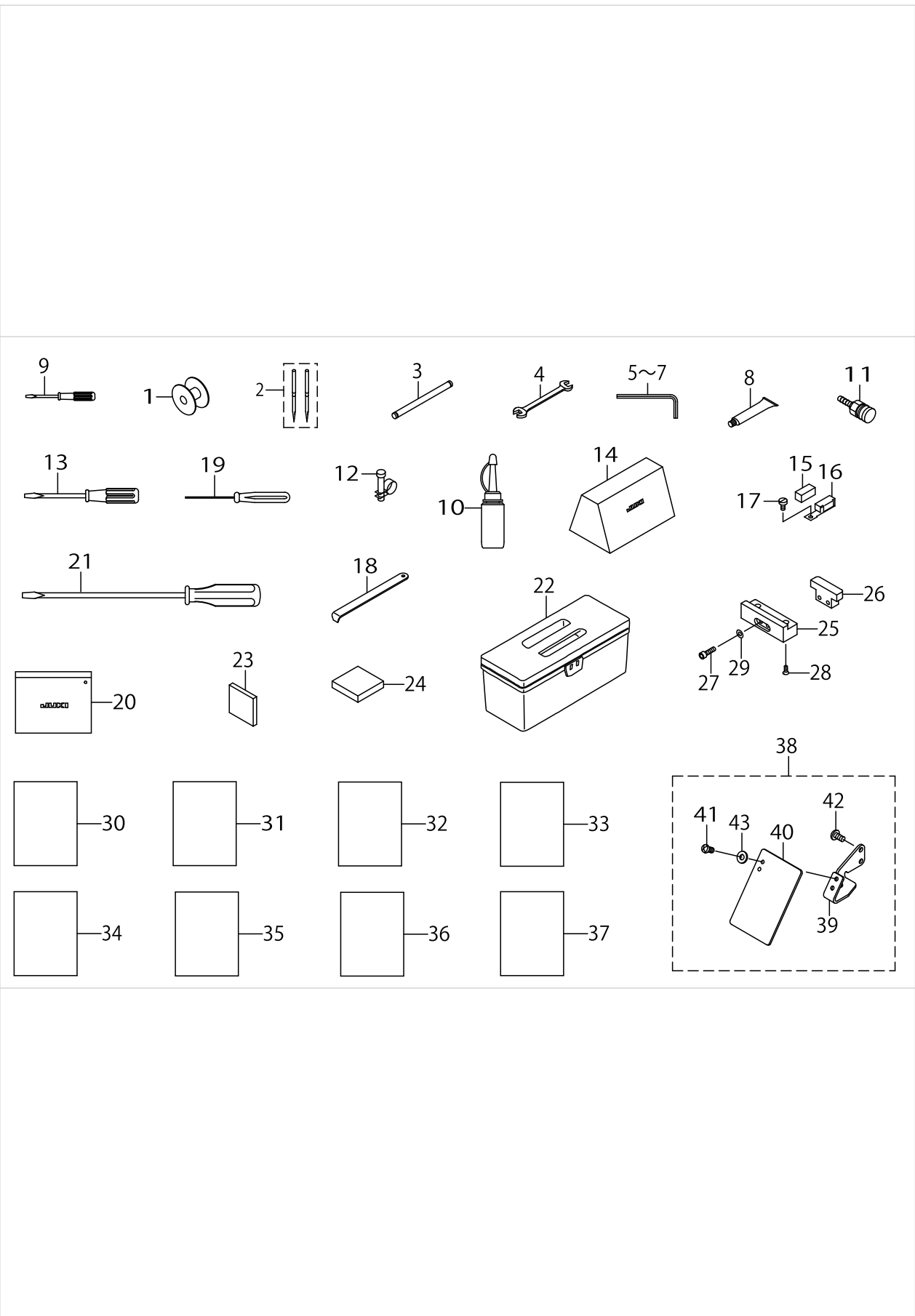
WIRING DIAGRAM



WIRING DIAGRAM

No.	Supply Code	Parts No.	Replacement	Parts name	Remarks	Choice	Step	Level	Cons	Qty	Rep. QTY
45		40048529		VALVE RERAY CORD ASM						1	
46		40075391		AIR SW CABLE ASM						1	
47		40073671		X SENSOR CABLE ASM						1	
48		40073672		Y SENSOR CABLE ASM						1	
49		40040238		PF_SENSOR_CABLE_ASM						1	
50		40073674		TH SENSOR ASM						1	
51		40073675		IP_SENSOR_CABLE_ASM.						1	
52		40073676		STOP SW ASM						1	
53		40073678		THB SENSOR CABLE ASM						1	
54		40040230		INT PCB ASM						1	
55		HK034610100		10P CONNECTOR						1	
56		40123809		SWITCH						2	
57		40123808		SWITCH						1	
58		40040237		SHORT CONNECTOR						3	
59		-		-						1	
60		-		-						1	
61		-		-						1	
62		-		-						1	
63		-		-						1	
64		-		-						1	

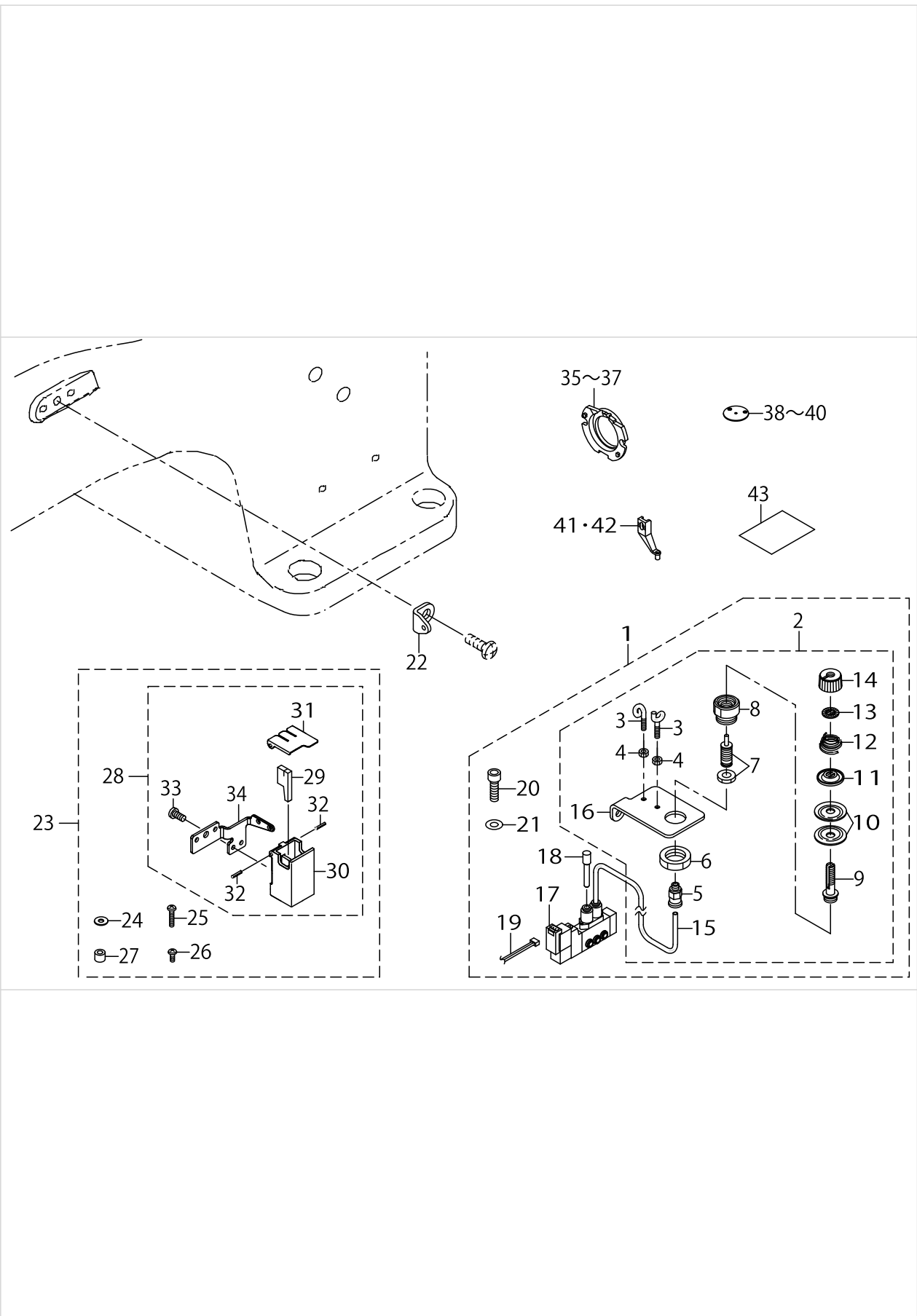
ACCESSORIE PARTS COMPONENTS



ACCESSORIE PARTS COMPONENTS

No.	Supply Code	Parts No.	Replacement	Parts name	Remarks	Choice	Step	Level	Cons	Qty	Rep. QTY
1		B1806210D00		BOBBIN						1	
2		MDP17BB2402		NEEDLE DPX17 B POINT #24-2						1	
3		13704705		BELT SIDE COVER SHAFT						1	
4		B9113012000		WRENCH (9X10)						1	
5		B9140372000		HEXAGONAL WRENCH, SMALL						1	
6		B9141372000		HEXAGONAL WRENCH, LARGE						1	
7		GCT02906000		HEXAGONAL SPANNER						1	
8		40006323		JUKI GREASE A TUBE						1	
9		22933204		SCREW DRIVER,SMALL						1	
10		B91212200A0		OILER (CONTAINING NO.2 OIL)						1	
11		PJ309520001		SOCKET						1	
12		PB000010000		HOSE BAND						1	
13		22933105		SCREW DRIVER,MIDDLE						1	
14		40072154		COVER						1	
15		B1131528000		FELT						1	
16		10102200		THREAD GUIDE F						1	
17		SM6040860TP		SCREW M4 L=8						1	
18		B9101490000		DRIVER						1	
19		40032763		HEXAGONAL_DRIVER(1.5)						1	
20		22932800		ACCESSORIE BAG						1	
21		22933006		SCREW DRIVER,LARGE						1	
22		B8601WP10A0		TOOL BOX ASM.						1	
23		40050647		COMPACTFLASH(T-M) SET AMS-221E						1	
24		40123512		CUSHION PLATE						8	
25		40123408		BLOCK1						2	
26		40123409		BLOCK2						2	
27		-		SCREW M4X14						4	
28		-		SCREW M4X10						4	
29		-		SW						4	
30		40117504		AMS-224EN INSTR- UCTION MANUAL E						1	
31		40100969		INSTRUCTION MANUAL JAPANESE						1	
32		40100971		INSTRUCTION MANUAL CHINESE						1	
33		40121840		INSTRUCTION MANUAL 3K						1	
34		40121839		PART BOOK						1	
35		40100975		SAFETY INSTRUCTION MANUAL						1	
36		40088999		INFO OF THE BATT- ERY DISPOSAL B						1	
37		40035696		AMS210E NEEDLE COOLER INST. M						1	
38		40006484		SAFETY PLATE ASM						1	
39		40051987		SAFETY PLATE BASE				*		1	
40		26037200		SAFETY PLATE				*		1	
41		SM4040655SP		SCREW M4 L=6				*		2	
42		SM4040855SP		SCREW				*		2	
43		WP0450801SD		WASHER 4.5X10X0.8				*		2	

OPTIONAL PARTS COMPONENTS



OPTIONAL PARTS COMPONENTS

No.	Supply Code	Parts No.	Replacement	Parts name	Remarks	Choice	Step	Level	Cons	Qty	Rep. QTY
1		40072310		THREAD TENTION NO.3 ASSY						1	
2		40040560		THREAD TENSION NO.3 ASM.				*		1	
3		B3114771000		THREAD GUIDE				*		2	
4		NS6090310SP		NUT 9/64-40				*		2	
5		PJ301040502		HALF UNION 4XM5				*		1	
6		NM6160511SE		NUT M16X1.5				*		1	
7		PA0600504A0		AIR CYLINDER				*		1	
8		G2302309000		THREAD TENSION ROD BASE				*		1	
9		G2301309000		THREAD TENSION ROD				*		1	
10	R	B3126012000	22921506	THREAD TENSION DISK				*		2	1.00
11		B3132552000		THREAD TENSION DISK PRESSER				*		1	
12		B3121352000		TENSION SPRING				*		1	
13		B1320125000		ROTATING STOPPER				*		1	
14		11072204		TENSION NUT				*		1	
15		BT0400251EB		URETHANE HOSE, BLACK				*		2	
16		D4012D10N0H		THREAD TENSION NO.3 BASE				*		1	
17		PV150209000		5 PORT SOLENOID VALVE				*		1	
18		PX500014000		PLUG				*		1	
19		40035324		SOLENOID VALVE CONNECTER ASM				*		1	
20		SM6062002TP		SCREW M6 L=20				*		1	
21		WP0612516SD		WASHER6.1X15.2X2.5				*		1	
22		40010414		THREAD_GUIDE_NO.1						1	
23		40097301		SILICONE OIL TANK ASM						1	
24		WP0501046SC		WASHER 5 X 13 X 1				*		1	
25		SM4042055SP		SCREW				*		1	
26		SM4041055SP		SCREW				*		1	
27		11315108		COLLAR				*		1	
28		40097524		TANK BASE ASM				*		1	
29		40096983		FELT				*		1	
30		13348008		TANK				*		1	
31		B9213850000		SILICONE OIL TANK COVER, UPPER				*		1	
32		PS0150082KH		SPRING PIN				*		2	
33		ST4040851SN		TAPPING SCREW M4X8				*		2	
34		40096982		TANK BASE				*		1	
35		14103352		INNER HOOK PRESSER ASM., B						1	
36		14103659		SHUTTLE RACE RING ASM.,C						1	
37		B1817210DAD		SHUTTLE RACE RING ASM.,D						1	
38		B242621000D		NEEDLE HOLE GUIDE D=2.4						1	
39		B242621000F		NEEDLE HOLE GUIDE D=3.0						1	
40		B242621000G		NEEDLE HOLE GUIDE D=3						1	
41		B1601210D0BA		INTERMEDIATE PRESSER B						1	
42		B1601210D0CA		INTERMEDIATE PRESSER C						1	
43		40123146		TEFLON SEAT						1	

## HOW TO MAKE USE OF THIS PARTS LIST

1.As to "#01" and "#02" refer to the "Note" given at the bottom of the respective pages.

2.Codes on the "Qty" column

- Each numeral indicates the number of parts required.
- "0.1" and "2.5" indicate the length (in meters) of the respective parts.

3.Parentheses mean that the corresponding part is a subpart that constructs an assembly part.

4.Dotted lines on the Figures indicate assembly parts.

1. リストページの# 0 1、# 0 2の印は、ページ下の"注記"の説明を参照下さい。
2. 数量欄の数字は、個数を表し、0. 1、2. 5等の数値は、長さ（単位メートル）を表します。
3. 数量欄の（ ）は、組部品を構成している子部品であることを意味します。
4. イラストページの-----枠は、組構成であることを意味します。

# NUMERICAL INDEX OF PARTS

PART NO	PAGE	REF NO.	PART NO	PAGE	REF NO.	PART NO	PAGE	REF NO.
-	10	88	22907505	18	45	40000056	70	3·4
-	12	88	22907554	18	44	40003458	68	42
-	44	62	22907604	20	46	40003970	22	46
-	46	62	22920508	2	16	40005393	66	33
-	48	59	22921506	34	29	40005393	70	18
-	50	59	22928808	34	28	40005394	66	35
-	52	119	22932800	74	20	40005394	70	20
-	54	119	22933006	74	21	40005401	66	22
-	56	119	22933105	74	13	40005401	70	8
-	72	64	22933204	74	9	40005706	66	20
-	74	29	23517501	38	4~7	40005726	66	36
10102200	74	16	23517600	38	4~7	40005726	70	21
10502300	2	35	23517709	38	4~7	40005727	66	37
11072204	76	14	23517808	38	4~7	40005727	70	22
11072402	4	47	23604200	14	2	40006323	74	8
11315108	76	27	23604309	16	42	40006484	2	37
13122403	18	23	23610108	18	39	40006484	74	38
13122452	18	22	23618606	30	7	40006515	16	50
13167903	60	33	23630007	26	14	40006515	32	66
13168000	60	34	23630007	32	70	40006516	16	52
13168109	60	26	26037200	74	40	40006530	14	17
13168208	60	27	26211904	2	12	40006531	14	18
13348008	76	30	26218602	34	31	40006532	14	26
13518501	32	55	26221101	8	15	40006535	14	23
13529607	26	15	26221200	8	14	40006574	26	2
13704705	74	3	26226001	22	42	40006576	26	20
13705108	2	21	26260109	6	5	40006577	26	11
13816855	8	12	26260208	6	6	40006578	26	33
14103352	26	27	26260307	6	7	40006617	34	5
14103352	76	35~37	26260406	6	8	40006622	34	25
14103659	76	35~37	26260505	6	9	40006625	34	4
14103907	26	10	26260604	6	10	40006666	40	54
14104004	26	8	26260703	6	11	40006761	42	1
14113450	4	49	26260802	6	12	40006780	42	11
14113468	2	46	26261206	6	16	40006836	2	43
14115554	6	31	26261305	6	17	40006840	2	45
14115554	70	44	26261503	6	18	40006840	32	68
14432504	32	56	26261602	6	19	40010414	76	22
16870206	8	35	26261701	6	20	40010415	14	5
17845009	66	27	26501858	26	7	40010418	14	7
22891006	14	25	26910059	60	25	40010422	14	9
22891204	14	34	31262801	8	13	40010423	14	10
22901409	16	62	40000046	66	15·16	40010424	14	11
22901805	6	3	40000046	70	3·4	40010425	14	12
22902506	2	4	40000056	66	15·16	40010426	14	13



# NUMERICAL INDEX OF PARTS

PART NO	PAGE	REF NO.	PART NO	PAGE	REF NO.	PART NO	PAGE	REF NO.
40010427	14	14	40024988	18	29	40030628	20	62~64
40010434	14	33	40024989	22	24	40030629	20	62~64
40010443	40	49	40024991	18	40	40030630	20	62~64
40010470	26	16	40024997	8	9	40030828	2	8
40010471	26	17	40024999	2	6	40030829	6	15
40010472	26	19	40025011	18	13	40030934	38	25
40010477	34	6	40025012	18	5	40030936	38	1
40010478	34	41	40025016	22	31	40030942	42	17
40010479	34	8	40025030	22	36	40030943	42	15
40010487	34	17	40025414	2	14	40031336	6	28
40010489	34	23	40025415	18	8	40032158	2	1
40010490	34	20	40025418	22	33	40032159	2	26
40010497	34	21	40025419	24	47	40032179	22	7
40010498	34	22	40025420	22	44	40032180	22	17
40010499	34	24	40025423	22	8	40032181	24	56
40010503	34	27	40025426	22	27	40032343	34	11
40010504	34	30	40025427	18	2	40032345	34	14
40010509	34	34	40025428	18	11	40032483	22	6
40010510	34	35	40025429	18	26	40032763	74	19
40010511	34	36	40025431	18	1	40035024	64	36
40010512	34	37	40026817	22	4	40035324	58	33
40010513	34	38	40026818	30	36	40035324	76	19
40010514	34	39	40026819	22	9	40035692	58	24
40010515	34	40	40026882	16	57	40035694	58	25
40010521	34	43	40026884	16	61	40035696	74	37
40010522	34	44	40026979	2	3	40036117	26	25
40010523	34	33	40027870	22	37	40036118	26	35
40010527	42	22	40027971	2	11	40040230	8	17
40010528	42	23	40028338	6	4	40040230	72	54
40010533	16	54	40028834	2	30	40040237	72	58
40010590	42	10	40028835	2	31	40040238	72	49
40011152	42	24	40028877	2	28	40040256	38	8
40011902	14	35	40029411	34	32	40040560	76	2
40012815	42	19	40029412	34	42	40043321	24	53
40012965	18	19	40029419	18	36	40044053	16	46
40013640	6	29	40029420	22	5	40044053	32	62
40014963	26	28	40030615	22	15	40048529	72	45
40015800	42	5	40030616	20	65	40050647	74	23
40023624	20	58	40030617	18	4	40051640	68	43·50
40023624	38	13	40030620	18	31	40051987	2	40
40023631	20	49	40030621	20	55	40051987	74	39
40023865	6	13	40030623	20	47	40052937	16	60
40023866	6	14	40030625	22	1	40052937	70	23
40023993	34	12	40030626	22	2	40053776	38	23
40023999	34	15	40030627	22	3	40055355	66	1

NUMERICAL INDEX OF PARTS

PART NO	PAGE	REF NO.	PART NO	PAGE	REF NO.	PART NO	PAGE	REF NO.
40055356	66	2	40072207	30	3	40077604	16	55
40055357	66	3	40072208	32	49	40077605	16	56
40057278	68	43-50	40072211	38	45	40077925	20	56
40058949	8	37	40072212	8	22	40078083	14	27
40061991	26	29	40072213	8	21	40078106	14	22
40062367	68	55	40072220	58	1	40078113	20	57
40062367	70	24	40072225	42	28	40078133	18	43
40062368	68	56	40072227	30	31	40078135	14	29-30
40062368	70	25	40072228	38	10	40078160	14	38
40068833	18	14	40072233	14	39	40078163	62	2
40068834	18	28	40072310	76	1	40078168	62	9
40068835	18	7	40073620	70	35	40078382	14	16
40071942	22	21	40073621	70	36	40080799	62	3
40071942	70	28	40073622	70	32	40080800	62	4
40071944	38	22	40073623	70	29	40082758	66	13
40071944	70	31	40073626	70	40	40082758	70	2
40071945	70	34	40073632	70	37	40083666	62	7
40072086	14	8	40073638	70	38	40083668	62	6
40072088	32	72	40073639	70	33	40083960	62	10
40072089	30	1	40073640	70	30	40085784	60	2
40072090	30	11	40073651	68	54	40085785	60	3
40072091	30	15	40073651	70	5	40085786	60	4
40072092	30	22	40073659	68	46	40085787	60	5
40072093	30	30	40073659	70	26	40085788	60	6
40072094	30	33	40073660	34	1	40085789	60	7
40072095	30	35	40073660	70	41	40085790	60	8
40072096	30	38	40073671	72	47	40085791	60	9
40072097	30	43	40073672	72	48	40085792	60	10
40072098	30	44	40073674	42	33	40085793	60	11
40072099	30	42	40073674	72	50	40085794	60	12
40072100	30	40	40073675	72	51	40085795	60	13
40072101	26	41	40073676	2	33	40085796	60	16
40072102	26	40	40073676	72	52	40086384	30	6
40072103	32	51	40073678	2	25	40086468	62	30
40072106	30	23	40073678	72	53	40086468	70	14~16
40072107	38	15	40074051	62	18	40086485	62	1
40072108	42	26	40075079	42	30	40086485	70	6
40072109	42	34	40075079	70	39	40086541	62	5
40072110	42	38	40075391	72	46	40088999	74	36
40072111	34	26	40076232	42	16	40096030	66	29
40072140	26	1	40076233	42	3	40096030	70	9~11
40072151	70	42	40076236	42	12	40096031	66	30
40072154	74	14	40076237	42	9	40096031	70	9~11
40072159	30	45	40076238	42	4	40096032	66	31
40072173	30	9	40076239	42	40	40096032	70	9~11

NUMERICAL INDEX OF PARTS

PART NO	PAGE	REF NO.	PART NO	PAGE	REF NO.	PART NO	PAGE	REF NO.
40096034	62	32	40123769	48	20	40123812	58	35
40096034	70	14~16	40123771	44	33	40123814	52	6
40096035	64	33	40123772	44	32	40123815	52	9
40096035	70	14~16	40123773	44	18	40123816	52	7
40096051	64	34	40123774	44	16	40123817	52	3
40096051	70	7	40123775	44	8	40123818	52	37
40096186	14	29·30	40123776	44	19	40123819	52	38
40096209	14	31·32	40123777	46	48	40123820	52	34
40096325	60	14	40123777	52	21	40123821	52	35
40096326	60	17	40123778	44	42	40123822	52	36
40096327	60	19	40123778	52	12	40123823	52	13
40096354	60	1	40123779	54	77	40123824	52	16
40096982	76	34	40123780	54	79	40123825	52	15
40096983	76	29	40123781	54	80	40123826	46	51
40097301	76	23	40123782	54	81	40123826	52	19
40097524	76	28	40123783	54	76	40123900	48	26
40100969	74	31	40123784	54	64	40123901	48	34
40100971	74	32	40123785	54	63	40123903	44	31
40100975	74	35	40123786	54	65	40123904	44	9
40103968	38	19	40123787	54	61	40123905	44	13
40103969	22	20	40123788	54	75	40123906	48	46
40104419	46	63	40123789	54	68	40123907	48	43
40104419	56	114	40123790	54	69	A1230500000A	16	48
40108274	66	11	40123791	54	70	A1230500000A	32	64
40108274	70	1	40123792	54	56	B1111220000A	8	1
40108280	70	43	40123793	10	10	B1114280000	4	53
40117504	74	30	40123794	10	6	B1115220000	8	2
40121839	74	34	40123795	10	8	B1120223C00	8	3
40121840	74	33	40123796	10	9	B1129210000	2	19
40123146	76	43	40123797	10	2	B1131528000	74	15
40123401	8	30	40123798	10	3	B1144210000	16	45
40123402	12	53	40123799	10	1	B1144210000	32	61
40123403	12	54	40123800	10	5	B1212210D00	16	44
40123404	12	55	40123801	10	33	B1212210D00	32	60
40123405	12	56	40123802	10	34	B1228232000	34	46
40123406	12	57	40123803	12	68	B1320125000	76	13
40123408	74	25	40123804	12	58	B1408180000	18	32
40123409	74	26	40123805	12	59	B14115520A0	16	58
40123512	74	24	40123806	12	60	B1411804A00	28	46~49
40123763	48	38	40123808	12	73	B1411804B00	28	46~49
40123764	48	39	40123808	72	57	B1411804C00	28	46~49
40123765	50	47	40123809	12	74	B1411804D00	28	46~49
40123766	50	56	40123809	72	56	B1414555000	16	59
40123767	50	55	40123810	58	20	B1601210D0BA	76	41·42
40123768	48	19	40123811	58	34	B1601210DOCA	20	50

# NUMERICAL INDEX OF PARTS

PART NO	PAGE	REF NO.	PART NO	PAGE	REF NO.	PART NO	PAGE	REF NO.
B1601210D0CA	76	41·42	B8111220000	8	26	EA9500B0200	6	38
B161121000A	20	48	B8112220000	8	24	EA9500B0200	24	57
B1634210D00	20	53	B8202205000	8	25	G2301309000	76	9
B1636581A00	18	15~18	B8601WP10A0	74	22	G2302309000	76	8
B1636581B00	18	15~18	B9101490000	74	18	G5430116000	58	12
B1636581C00	18	15~18	B9113012000	74	4	G8124270000	58	9
B1636581D00	18	15~18	B9121012000	8	28	GAF01007000	16	49
B1641562000	22	41	B91212200A0	74	10	GAF01007000	32	65
B1705850000	14	31·32	B9140372000	74	5~7	GBR0118500A	42	39
B1806210D00	26	31	B9141372000	74	5~7	GCT02906000	74	5~7
B1806210D00	74	1	B9213850000	76	31	HA005820000	62	16
B1816215P00	40	48	BME01100000	62	25·26	HA005820000	70	13
B1817210DAD	76	35~37	BME03200000	62	25·26	HD00057000A	24	48
B1820210D00	26	3	BT0400251EB	58	29	HD00057000A	38	17
B1821210D00	26	4	BT0400251EB	76	15	HD00057000A	70	12
B1822215P00	26	5	BT0600401EB	58	5	HD00204000A	42	35
B1828210DAA	26	30	CM100100001	6	32	HD00204000A	70	17
B1847221D00	26	45	CM100300001	8	32	HD00204000B	42	36
B1903552000	14	28	CM200100001	68	49	HD00204000B	70	19
B1908505000	14	19	CM300100003	62	27	HD002780000	22	22
B24142800A0	38	34	CM300100401	62	23·24	HD002780000	38	20
B24152800A0	38	32	CM300200001	8	36	HD002780000	70	27
B2416280000	38	31	CM300200003	4	55	HF00130315S	62	20~22
B2417210000	38	36	CM300200003	8	33	HF0013050P0	62	20~22
B2417280000	38	38	CM300400601	62	28·29	HF003000200	62	20~22
B2418280000	38	30	CM300400701	62	28·29	HK034610040	58	14
B2421210AA0	38	29	CM301200001	6	1	HK034610100	72	55
B242328000A	38	39~42	CM600100101	62	14	HK034640000	58	15
B242328000B	38	39~42	CM600100101	68	52	HN001490000	68	47
B242328000C	38	39~42	CQ200000000	26	13	HW002180200	62	15
B242328000D	38	39~42	CQ200000000	32	69	HX00147000J	68	58
B2424210000	38	28	CQ303000000	18	3	HX00150000C	38	43
B242621000D	76	38~40	CS079073ASH	18	33	HX00150000D	6	35
B242621000F	38	27	CS0800881TP	22	29	HX00150000F	6	34
B242621000F	76	38~40	CS0800971TP	26	43	HX00150000H	6	36
B242621000G	76	38~40	D4012D10N0H	76	16	HX002330000	58	31
B3114771000	76	3	D7133555B00	4	51	HX00326000K	68	45
B3120372000	2	41	E2678453000	58	18	HX00326000N	8	38
B3121352000	76	12	E9567319000	68	41	HX003390000	8	19
B3126012000	4	50	E9607603000	68	40	HX003390000	66	18
B3126012000	76	10	EA9500B0100	6	37	HX00354000B	62	12
B3132552000	76	11	EA9500B0100	24	50	HX004070000	66	26
B3509280000	32	48	EA9500B0100	26	32	HX00410000A	66	32
B3518280000	32	47	EA9500B0100	58	16	HX00418000E	68	57
B3538112000	26	38	EA9500B0100	68	48	HX005110000	66	39

# NUMERICAL INDEX OF PARTS

PART NO	PAGE	REF NO.	PART NO	PAGE	REF NO.	PART NO	PAGE	REF NO.
KM00000480	66	23	RC1200001KP	32	59	SD0800386TP	18	35
M300451100A	62	19	RC3781518KP	18	20	SD0800387TP	22	40
M3801476000	66	6	RE0200000K0	42	7	SD0800407TP	42	25
M4206461000	66	10	RE0300000K0	26	6	SD0800408TP	18	38
M90295800A0	68	53	RE0400000K0	6	22	SD0800656TP	20	60
M90345800A0	62	31	RE0700000K0	22	35	SD0800746TP	18	10
MDP17BB2400	14	37	RE0800000K0	30	37	SD1000506TP	18	37
MDP17BB2402	74	2	RE0900000K0	34	3	SK3413201SE	64	35
NM3040520SC	66	25	SB104001600	14	21	SL4020591SC	22	23
NM6030003SC	42	42	SB108000500	22	26	SL4020591SC	38	21
NM6040000SN	2	15	SB108002200	14	20	SL4030681SC	62	11
NM6040001SP	38	9	SB108002300	14	24	SL4030881SC	62	13
NM6040002SE	60	32	SB110002400	40	52	SL4030881SC	68	59
NM6040003SC	34	18	SB112000200	32	57	SL4031091SC	24	49
NM6050001SE	60	24	SB115001400	30	29	SL4031091SC	38	18
NM6050001SP	38	12	SB117000400	30	2	SL4031481SC	8	27
NM6080001SC	66	44	SB117001000	30	5	SL4040881SC	66	21
NM6080001SC	68	44	SB117001100	30	14	SL4040891SC	6	30
NM6120011SF	8	4	SB120000900	14	1	SL4040891SC	8	18
NM6160511SE	76	6	SB120001700	14	6	SL4040891SC	66	38
NS6090310SP	76	4	SB120001800	14	4	SL4041081SC	68	51
NS6110310SP	4	48	SB30700020A	16	64~67	SL4041091SC	8	16
PA0600504A0	76	7	SB30700020B	16	64~67	SL4041091SC	66	28
PB000010000	74	12	SB30700020C	16	64~67	SL4041091SE	62	17
PC012401000	58	32	SB30700020D	16	64~67	SL4043591SC	66	24
PF0552040B0	58	8	SB30800100A	26	21~24	SL4051091SC	58	26
PJ030520001	58	11	SB30800100B	26	21~24	SL6040892TN	2	34
PJ301040502	76	5	SB30800100C	26	21~24	SL6040892TN	6	33
PJ301040505	58	3	SB30800100D	26	21~24	SL6040892TN	30	46
PJ301060003	58	7	SB31000110A	30	25~28	SL6052592TN	14	41
PJ305065202	58	10	SB31000110B	30	25~28	SL6082092TN	68	60
PJ309005203	58	13	SB31000110C	30	25~28	SL6083092TN	66	7
PJ309520001	74	11	SB31000110D	30	25~28	SM1030601SP	30	24
PS0150082KH	76	32	SB33500020A	30	17~21	SM1040650TP	38	3
PS0400142KH	16	47	SB33500020B	30	17~21	SM1040870TP	30	39
PS0400142KH	32	63	SB33500020C	30	17~21	SM2360110TP	42	20
PV150209000	58	30	SB33500020D	30	17~21	SM4020600SP	42	18
PV150209000	76	17	SB33500020E	30	17~21	SM4030455SP	26	12
PV150209100	58	4	SB408000100	22	13	SM4030601SN	2	36
PV915005000	58	2	SD0350156TP	42	41	SM4040655SP	2	42
PX500014000	58	27	SD0400266TP	42	8	SM4040655SP	74	41
PX500014000	76	18	SD0800327TP	38	11	SM4040855SP	2	38
PX950009000	58	17	SD0800336TP	20	59	SM4040855SP	74	42
RC0560711KP	6	21	SD0800337TP	22	25	SM4041001SC	60	28
RC0650811KP	18	25	SD0800346TP	32	52	SM4041055SP	2	32

# NUMERICAL INDEX OF PARTS

PART NO	PAGE	REF NO.	PART NO	PAGE	REF NO.	PART NO	PAGE	REF NO.
SM4041055SP	76	26	SM7751160TP	20	51	TA1050504R0	32	71
SM4041201SC	60	30	SM8030412TP	16	63	TA2100904R0	2	10
SM4042001SC	60	31	SM8030412TP	34	7	TA2100904R0	8	20
SM4042055SP	76	25	SM8040310SS	16	53	TA2351004R0	2	27
SM4051055SP	2	29	SM8040412TP	4	54	WP0320500SC	42	6
SM4051405SE	60	23	SM8040502TP	30	67	WP0430800SC	20	54
SM4051655SP	40	50	SM8040502TP	32	67	WP0430801SC	34	10
SM4061255SP	2	13	SM8040802TP	6	26	WP0450801SD	2	39
SM4061255SP	32	50	SM8050412TP	22	43	WP0450801SD	74	43
SM5040655SN	6	24	SM8050502TP	6	25	WP0450801SP	42	2
SM6020250TP	26	36	SM8050512TP	26	44	WP0450826SC	6	23
SM6020350SP	42	13	SM8050592TP	38	16	WP0450846SP	24	52
SM6020450TP	42	37	SM8060552TP	26	42	WP0450846SP	38	37
SM6020460TP	26	26	SM8060552TP	30	32	WP0501046SC	76	24
SM6030602TP	42	14	SM8060602TP	22	19	WP0510516SD	34	45
SM6040602TP	20	52	SM8060610TP	26	34	WP0520656SA	22	38
SM6040602TP	24	51	SM8060812TP	14	43	WP0522016SH	22	39
SM6040602TP	26	39	SM8060812TP	16	43	WP0531000SD	30	13
SM6040602TP	42	32	SM8060812TP	18	66	WP0531001SC	60	22
SM6040650TP	2	44	SM8060812TP	20	66	WP0611626SP	18	9
SM6040650TP	30	41	SM8060812TP	22	34	WP0612516SD	76	21
SM6040650TP	40	53	SM8060812TP	30	16	WP0641601SC	8	11
SM6040650TP	42	21	SM8060812TP	38	14	WP0641601SD	32	54
SM6040802TP	6	39	SM8061050TP	26	37	WP0651001SC	40	47
SM6040802TP	8	23	SM8061612TP	14	36	WP0820516SP	14	15
SM6040802TP	34	16	SM8061612TP	36	47	WP0841601SC	66	62
SM6040802TP	38	51	SM8480652TP	22	10	WP0841601SC	68	62
SM6040802TP	40	51	SM8480652TP	30	34	WP0850002SP	22	14
SM6040860TP	2	18	SM9124503SB	8	5	WP1221016SP	18	27
SM6040860TP	34	13	SS1060210TP	38	35	WP1221016SP	32	58
SM6040860TP	74	17	SS1110640TP	18	30	WP1302501SE	8	7
SM6041150TP	6	27	SS6090910SP	18	41	WP1612616SE	60	15
SM6041202TP	42	31	SS6110430TP	38	24	WS0451040KP	4	52
SM6041402TP	24	54	SS7090410SP	38	33	WS0510002KN	60	21
SM6041602TP	14	40	SS7110740TP	38	26	WS0820002KN	66	34
SM6050802TP	22	45	SS7111810TP	18	42	WS1253010KN	8	8
SM6051602TP	30	12	SS8110410TP	18	34	WZ0850302K0	22	28
SM6060800SP	26	18	SS8660612TP	30	8			
SM6061010TP	32	53	SS9151240SN	8	6			
SM6061202TP	8	10	ST4040851SN	76	33			
SM6061402TP	18	24	TA0550604R0	20	61			
SM6061802TP	24	55	TA0750404R0	8	29			
SM6061802TP	40	46	TA0750404R0	18	21			
SM6062002TP	76	20	TA0850604R0	2	23			
SM6087002TN	68	61	TA1050504R0	2	24			