

MODEL : AMS221ENHS7200

List No : 1591-02

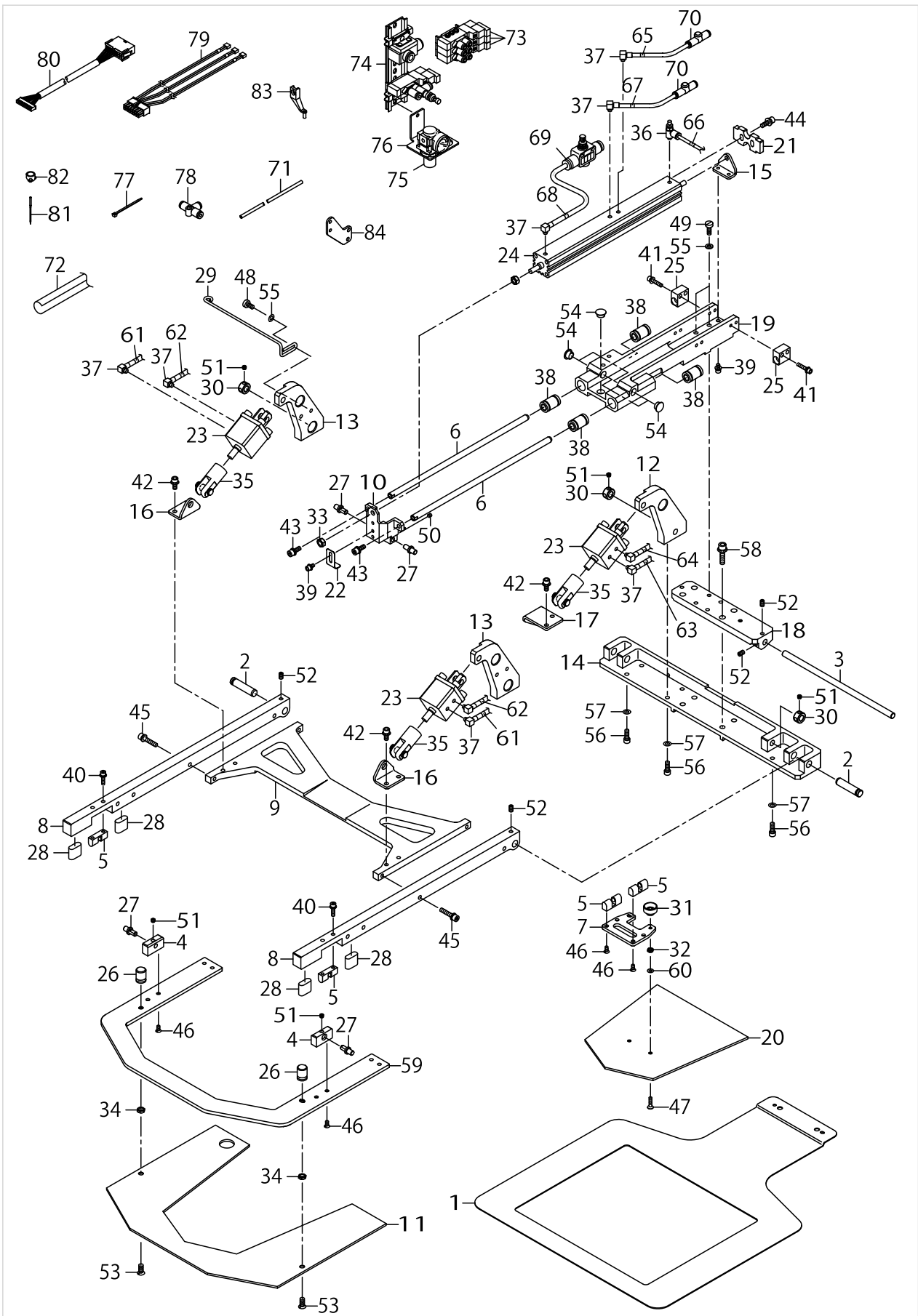
PARTS LIST

Published:05/12/2017

CONTENTS

POCKET MECHANISM COMPONENTS.....	1
MARKING LIGHT COMPONENTS	5
X-Y COMPONENTS	7
AIR PIPING DIAGRAM.....	9
OPERATION PANEL & PCB COMPONENTS.....	11
HOW TO MAKE USE OF THIS PARTS LIST	13

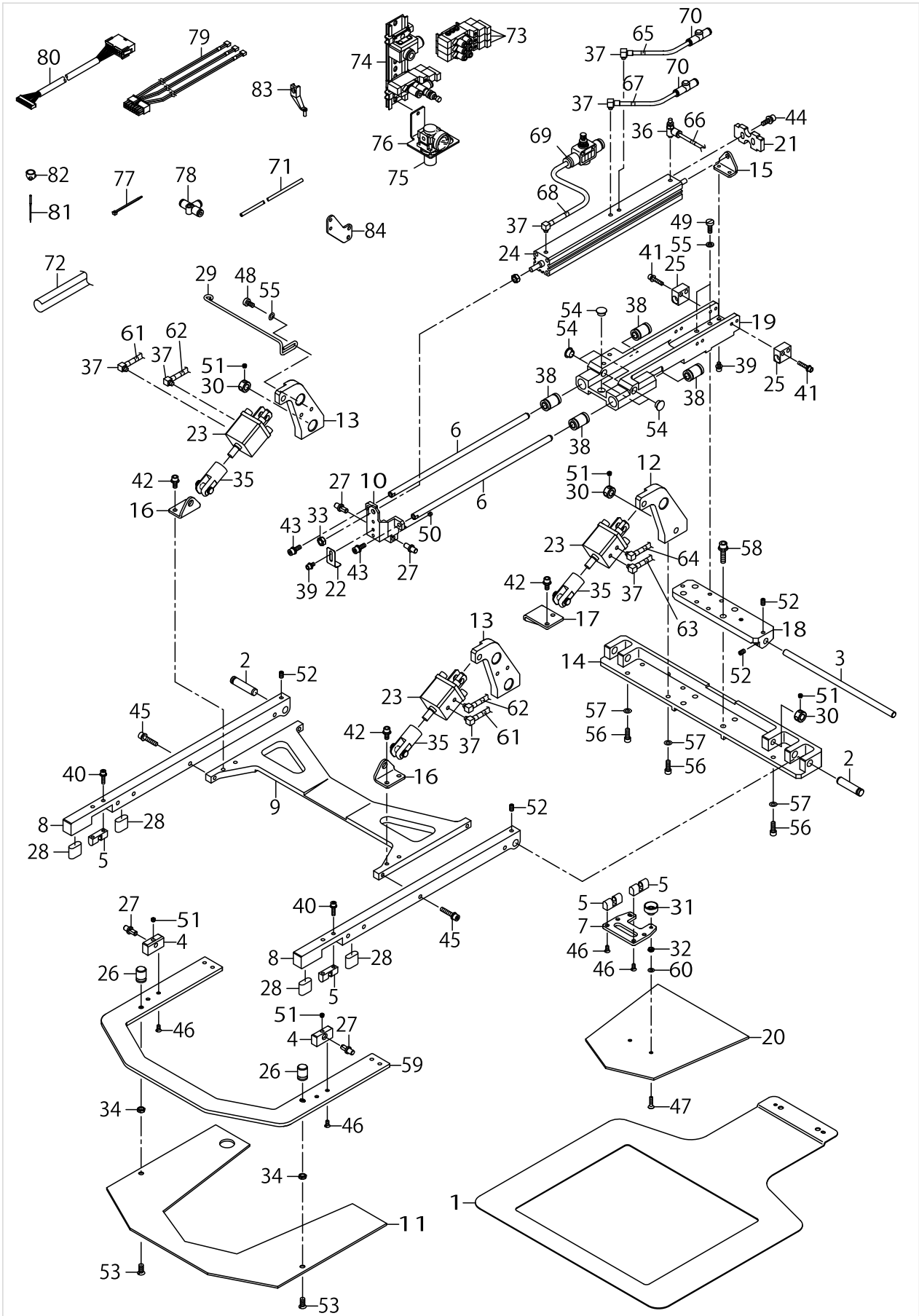
POCKET MECHANISM COMPONENTS



POCKET MECHANISM COMPONENTS

No.	Supply Code	Parts No.	Replacement	Parts name	Remarks	Choice	Step	Level	Cons	Qty	Rep. QTY
1		40056489		LOWER PLATE						1	
2		26217703		BASE CONNECTING PIN						2	
3		40020622		LOOPER DRIVE SHAFT						1	
4		40051769		FEEDING FRAME S-UPPORT BEARING						2	
5		40051770		FEEDING FRAME BALL CATCH						4	
6		40056479		POCKET CLAMP GUIDE SHAFT						2	
7		40056480		POCKET CLAMP IN-STALLING PLATE						1	
8		40056481		CLAMP ARM						2	
9		40056482		CLAMP ARM BEEM						1	
10		40056483		POCKET CLAMP BASE						1	
11		40056486		WORK CLAMP						1	
12		40056487		WORK CLAMP CYLINDER BKT B						1	
13		40056488		WORK CLAMP CYLINDER BKT A						2	
14		40056490		WORK CLAMP BASE						1	
15		40056491		CYLINDER BRACKET						1	
16		40056492		CYLINDER PLATE A						2	
17		40056493		CYLINDER PLATE B						1	
18		40056495		CYLINDER BASE BRACKET						1	
19		40056498		CYLINDER BASE						1	
20		40056499		POCKET CLAMP						1	
21		40063818		CYLINDER GUIDE PLATE						1	
22		40063819		POCKET PLATE SPRING						1	
23		40064077		CYLINDER						3	
24		40064122		CYLINDER ASM.						1	
25		40065157		GUIDE BLOCK						2	
26		B2105581000		KNOB						2	
27		B2560220000		SUPPORT PIN						4	
28		B2563220000		RUBBER CUSHION						4	
29		B2568223C00		AIR TUBE SUPPORT						2	
30		CS0800881TP		THRUST COLLAR D=8 W=8						2	
31		G6036870000		POCKET PRESSER KNOB						2	
32		NM6040003SD		NUT M4X0.7 TYPE3						2	
33		NM6060003SC		NUT M6X1 TYPE3						1	
34		NS6150310SP		HEXAGONAL NUT 15/64-28						2	
35		PA900054000		2 CROWN KNUCKLE JOINT						3	
36		PC010508000		SPEED CONTROLLER						1	
37		PJ046052503		HOSE ELBOW						9	
38		SB708000100		BEARING						4	
39		SL6040892TN		SCREW M4 L=8						4	
40		SL6041692TN		SCREW M4 L=16						4	
41		SL6042092TN		SCREW M4 L=20						4	
42		SL6051292TN		SCREW M5 L=12						6	
43		SL6051492TN		SCREW M5 L=14						2	
44		SL6051692TN		SCREW M5 L=16						2	
45		SL6052592TN		SCREW M5 L=25						4	

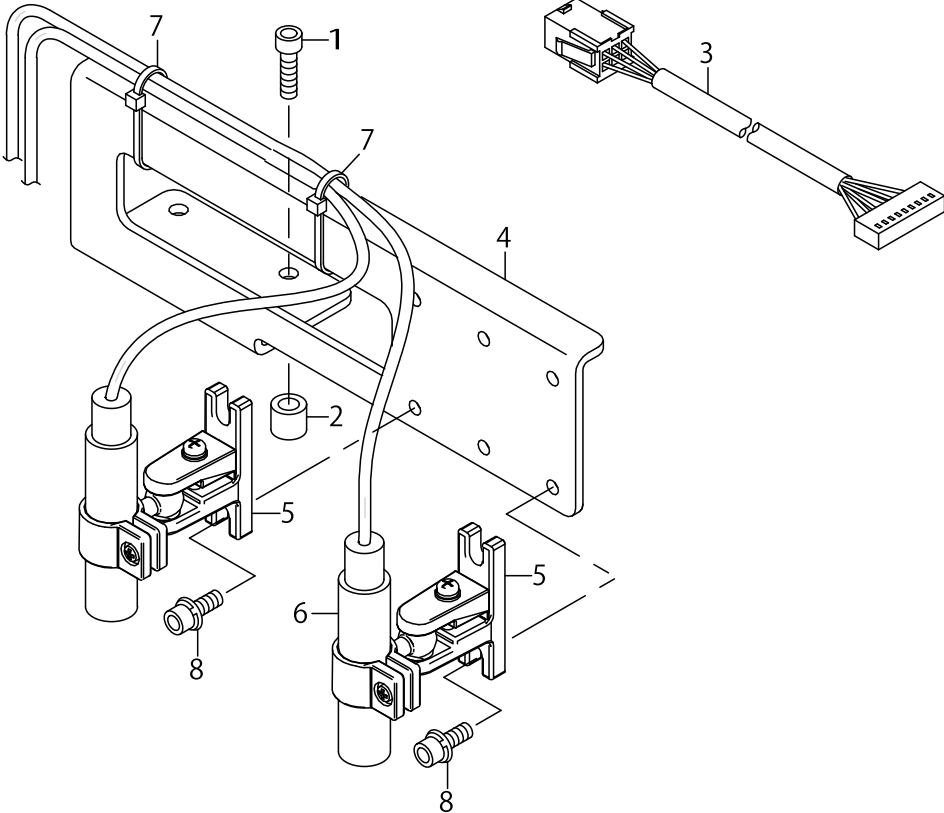
POCKET MECHANISM COMPONENTS



POCKET MECHANISM COMPONENTS

No.	Supply Code	Parts No.	Replacement	Parts name	Remarks	Choice	Step	Level	Cons	Qty	Rep. QTY
46		SM1040870TP		SCREW						8	
47		SM1041400SP		SCREW						2	
48		SM6051000SP		SCREW						4	
49		SM6051400SP		SCREW						4	
50		SM8040412TP		SCREW M4X4						2	
51		SM8050412TP		SCREW M5 L=4						6	
52		SM8050812TP		SCREW M5X8						6	
53		SS1151310TP		SCREW						2	
54		TA1050504R0		RUBBER PLUG						5	
55		WP0531000SD		WASHER M5						8	
56		SM6051402TN		SCREW M5 L=14						6	
57		WP0531000SC		WASHER 5.3X10X1						6	
58		SL6062592TN		SCREW M6 L=25						4	
59		40056485		FEEDING FRAME						1	
60		WT0430001KN		TOOTHED WASHER						2	
61		18035006		CABLE MARK NO.1						5	
62		18035105		WIRE MARK (2)						5	
63		18035204		WIRE MARK (3)						3	
64		18035303		WIRE MARK (4)						3	
65		18035402		WIRE MARK (5)						2	
66		18035501		WIRE MARK (6)						2	
67		18035600		WIRE MARK (7)						2	
68		18035709		WIRE MARK (8)						2	
69		PC012401000		SPEED CONTROLLER						5	
70		PV010015000		QUICK EXHAUST VALVE						2	
71		BT0400251EB		URETHANE TUBE BLACK 4X2.5						16.5	
72		HX00364000E		TUBE						2.6	
73		PV150209000		5-PORT SOLENOID VALVE						3	
74		40032232		SOLENOID VALVE A ASM.						1	
75		PF0205010C0		AIR REGULATOR						1	
76		40058031		AIR REGULATOR BASE						1	
77		HX002330000		CABLE BAND						11	
78		PJ305040001		T						2	
79		40064126		SOLENOID VALVE CORD ASM.						1	
80		40097984		SOLENOID VALVE RELAY CABLE ASM.						1	
81		MDP170B1900		NEEDLE DPX17 #19						1	
82		B1406215P00		THREAD GUIDE H						1	
83		B1601210D0FA		INTERMEDIATE PRESSER F						1	
84		40064076		SAFETY PLATE BRK						1	

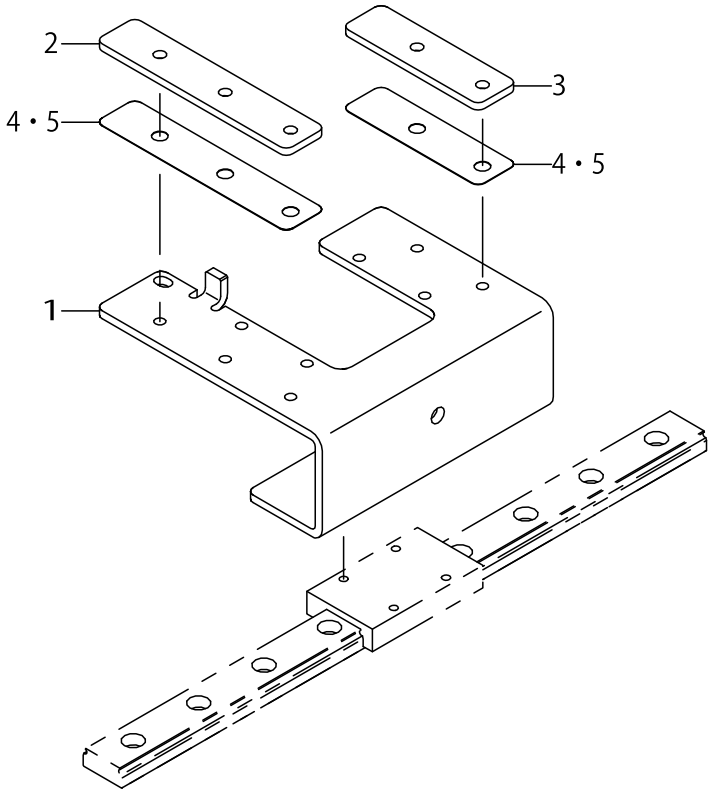
MARKING LIGHT COMPONENTS



MARKING LIGHT COMPONENTS

No.	Supply Code	Parts No.	Replacement	Parts name	Remarks	Choice	Step	Level	Cons	Qty	Rep. QTY
1		SM6051802TP		SCREW M5 L=18						2	
2		13858808		THREAD CUTTER A- UXILIARY ROLLER						2	
3		40064125		LED MARKING RELAY CABLE ASM.						1	
4		40056497		MARKING LIGHT IN- STALLING PLATE						1	
5		40056503		MARKING LIGHT HOLDER						2	
6		40064123		LED MARKING A ASM.						1	
7		HX00233000B		CABLE BAND						2	
8		SL6051492TN		SCREW M5 L=14						4	

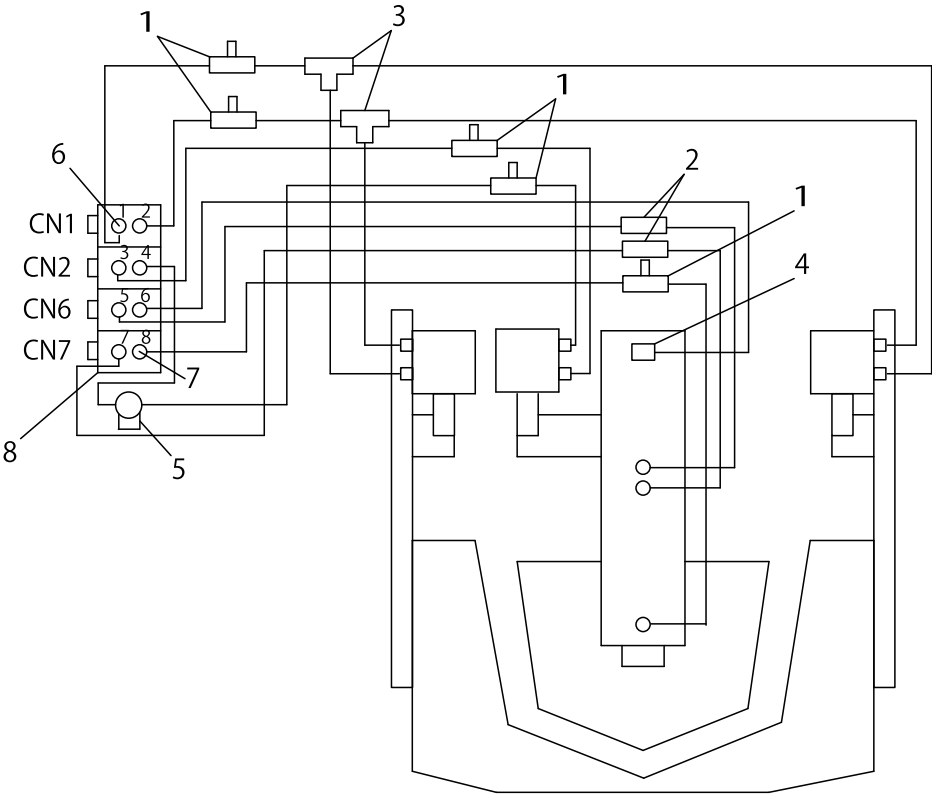
X-Y COMPONENTS



X-Y COMPONENTS

No.	Supply Code	Parts No.	Replacement	Parts name	Remarks	Choice	Step	Level	Cons	Qty	Rep. QTY
1		40121232		X DRIVEN BRACKET BASE						1	
2		40121230		BRACKET BASE SPACER						1	
3		40121671		BRACKET BASE SPACER A						1	
4		40121231		SPACER 0.2MM	QUANTITY SELECTION PARTS (ONE PIECE OR TWO-PIECE USE)					1	
5		40121624		SPACER 0.1MM	QUANTITY SELECTION PARTS (ONE PIECE OR TWO-PIECE USE)					1	

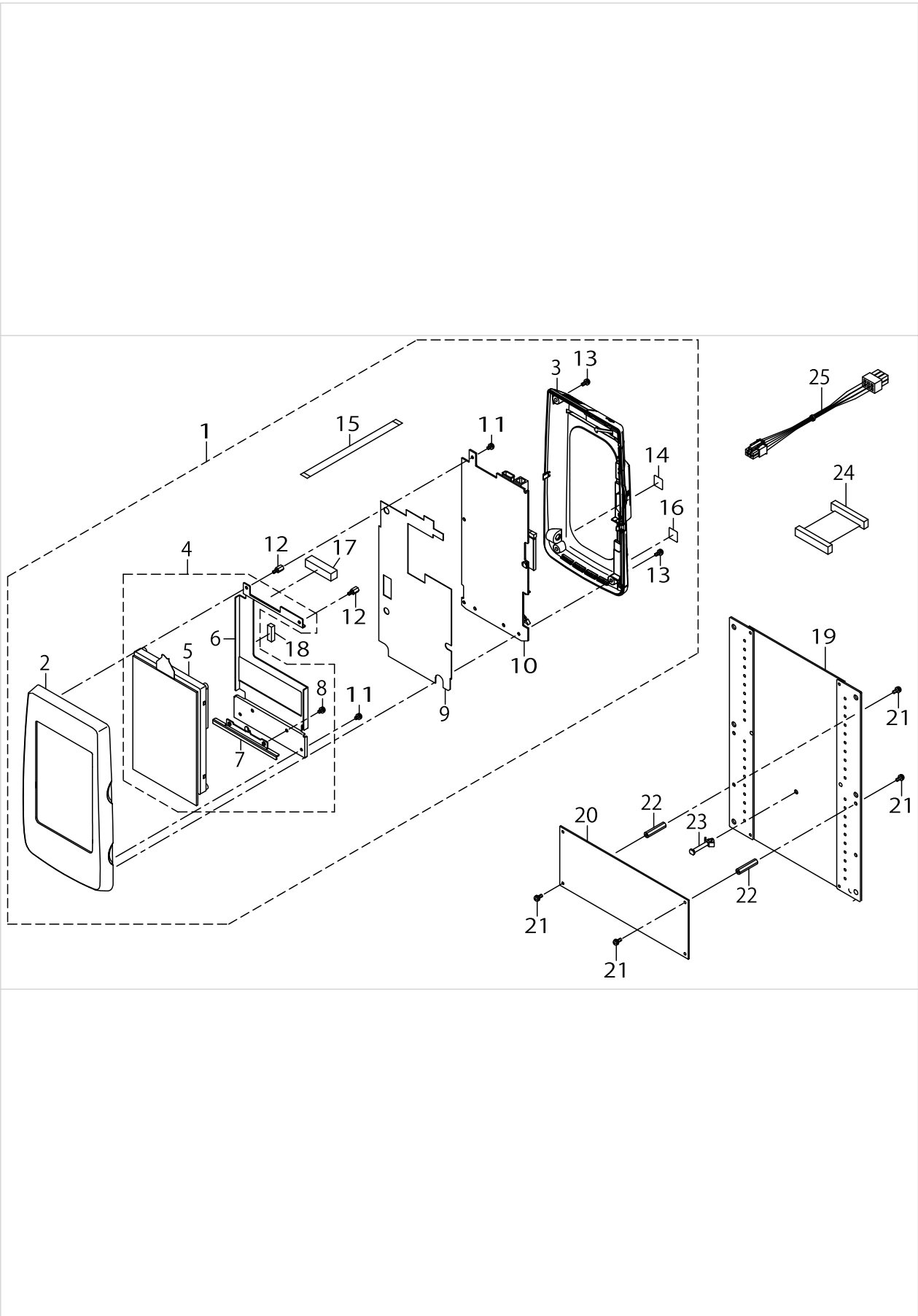
AIR PIPING DIAGRAM



AIR PIPING DIAGRAM

No.	Supply Code	Parts No.	Replacement	Parts name	Remarks	Choice	Step	Level	Cons	Qty	Rep. QTY
1		PC012401000		SPEED CONTROLLER						5	
2		PV010015000		QUICK EXHAUST VALVE						2	
3		PJ305040001		TEE UNION						2	
4		PC010508000		SPEED CONTROLLER						1	
5		PF0205010C0		AIR REGULATOR						1	
6		PJ301040505		HALF UNION						7	
7		PF070501000		PRESSURE DECREASING VALVE						1	
8		PV150209100		SOLENOID VALVE						4	

OPERATION PANEL & PCB COMPONENTS



OPERATION PANEL & PCB COMPONENTS

No.	Supply Code	Parts No.	Replacement	Parts name	Remarks	Choice	Step	Level	Cons	Qty	Rep. QTY
1		40121826		IP-420P PANEL ASSY						1	
2		40078163		FRONT_CASE				*		1	
3		40080799		REAR_CASE_ASSY				*		1	
4		40080800		LCD_ASSY				*		1	
5		40086541		LCD TOUCH PANEL ASSY	TECHNICAL INFOMATI- ON (A16-029)			*		1	
6		40083668		LCD_BRACKET	TECHNICAL INFOMATI- ON (A16-029)			*		1	
7	R	40083666	40080800	LCD_STAY				*		1	1.00
8		SL4030681SC		SCREW M3 L=6				*		2	
9		40078168		INSULATION_SHEET				*		1	
10	R	40083960	40086541	PANEL PCB ASSY		A		*		1	1.00
10	R	40083960	40083668	PANEL PCB ASSY		A		*		1	1.00
10	R	40083960	40166481	PANEL PCB ASSY		A		*		1	1.00
10	R	40083960	40166318	PANEL PCB ASSY		A		*		1	1.00
10	R	40083960	HW002650330	PANEL PCB ASSY		A		*		1	1.00
11		SL4030681SC		SCREW M3 L=6				*		3	
12		HX00354000B		SPACER				*		2	
13		SL4030881SC		SCREW M3 L=8				*		4	
14		CM600100101		WEEE MARK LABEL S				*		1	
15	R	HW002180200	HW002650330	FLAT CABLE		A		*		1	1.00
15	R	HW002180200	40083668	FLAT CABLE		A		*		1	1.00
15	R	HW002180200	40086541	FLAT CABLE		A		*		1	1.00
15	R	HW002180200	40166481	FLAT CABLE		A		*		1	1.00
15	R	HW002180200	40166318	FLAT CABLE		A		*		1	1.00
16		40150131		EAC_MARK_LABEL_S				*		1	
17		40096507		GASKET A				*		1	
18		40096508		GASKET B				*		1	
19		40121629		MAIN PCB D ASSY						1	
20		40081580		SUB PCB ASSY						1	
21		SL4030881SC		SCREW M3 L=8						8	
22		HX00418000E		SPACER						4	
23		HX00147000J		SPACER						1	
24		40062368		SUB-MAIN CORD S ASSY						1	
25		40062367		SUB-MAIN CORD P ASSY						1	

HOW TO MAKE USE OF THIS PARTS LIST

- 1.As to "#01" and "#02" refer to the "Note" given at the bottom of the respective pages.
- 2.Codes on the "Qty" column
 - Each numeral indicates the number of parts required.
 - "0.1" and "2.5" indicate the length (in meters) of the respective parts.
- 3.Parentheses mean that the corresponding part is a subpart that constructs an assembly part.
- 4.Dotted lines on the Figures indicate assembly parts.

1. リストページの# 0 1、# 0 2の印は、ページ下の"注記"の説明を参照下さい。
2. 数量欄の数字は、個数を表し、0. 1、2. 5等の数値は、長さ（単位メートル）を表します。
3. 数量欄の（ ）は、組部品を構成している子部品であることを意味します。
4. イラストページの-----枠は、組構成であることを意味します。

Please refer to Parts List of AMS-221EN/IP-420 for the matters not mentioned on this Parts List.

本パーツリストに記載なきものは、AMS-221EN/IP-420のパーツリストをご覧ください。

NUMERICAL INDEX OF PARTS

PART NO	PAGE	REF NO.	PART NO	PAGE	REF NO.	PART NO	PAGE	REF NO.
13858808	6	2	40078163	12	2	PC012401000	10	1
18035006	4	61	40078168	12	9	PF0205010C0	4	75
18035105	4	62	40080799	12	3	PF0205010C0	10	5
18035204	4	63	40080800	12	4	PF070501000	10	7
18035303	4	64	40081580	12	20	PJ046052503	2	37
18035402	4	65	40083666	12	7	PJ301040505	10	6
18035501	4	66	40083668	12	6	PJ305040001	4	78
18035600	4	67	40083960	12	10	PJ305040001	10	3
18035709	4	68	40086541	12	5	PV010015000	4	70
26217703	2	2	40096507	12	17	PV010015000	10	2
40020622	2	3	40096508	12	18	PV150209000	4	73
40032232	4	74	40097984	4	80	PV150209100	10	8
40051769	2	4	40121230	8	2	SB708000100	2	38
40051770	2	5	40121231	8	4	SL4030681SC	12	11
40056479	2	6	40121232	8	1	SL4030881SC	12	21
40056480	2	7	40121624	8	5	SL6040892TN	2	39
40056481	2	8	40121629	12	19	SL6041692TN	2	40
40056482	2	9	40121671	8	3	SL6042092TN	2	41
40056483	2	10	40121826	12	1	SL6051292TN	2	42
40056485	4	59	40150131	12	16	SL6051492TN	2	43
40056486	2	11	B1406215P00	4	82	SL6051492TN	6	8
40056487	2	12	B1601210D0FA	4	83	SL6051692TN	2	44
40056488	2	13	B2105581000	2	26	SL6052592TN	2	45
40056489	2	1	B2560220000	2	27	SL6062592TN	4	58
40056490	2	14	B2563220000	2	28	SM1040870TP	4	46
40056491	2	15	B2568223C00	2	29	SM1041400SP	4	47
40056492	2	16	BT0400251EB	4	71	SM6051000SP	4	48
40056493	2	17	CM600100101	12	14	SM6051400SP	4	49
40056495	2	18	CS0800881TP	2	30	SM6051402TN	4	56
40056497	6	4	G6036870000	2	31	SM6051802TP	6	1
40056498	2	19	HW002180200	12	15	SM8040412TP	4	50
40056499	2	20	HX00147000J	12	23	SM8050412TP	4	51
40056503	6	5	HX002330000	4	77	SM8050812TP	4	52
40058031	4	76	HX00233000B	6	7	SS1151310TP	4	53
40062367	12	25	HX00354000B	12	12	TA1050504R0	4	54
40062368	12	24	HX00364000E	4	72	WP0531000SC	4	57
40063818	2	21	HX00418000E	12	22	WP0531000SD	4	55
40063819	2	22	MDP170B1900	4	81	WT0430001KN	4	60
40064076	4	84	NM6040003SD	2	32			
40064077	2	23	NM6060003SC	2	33			
40064122	2	24	NS6150310SP	2	34			
40064123	6	6	PA900054000	2	35			
40064125	6	3	PC010508000	2	36			
40064126	4	79	PC010508000	10	4			
40065157	2	25	PC012401000	4	69			