

MODEL : AC-172N-1790

List No : 1548-05

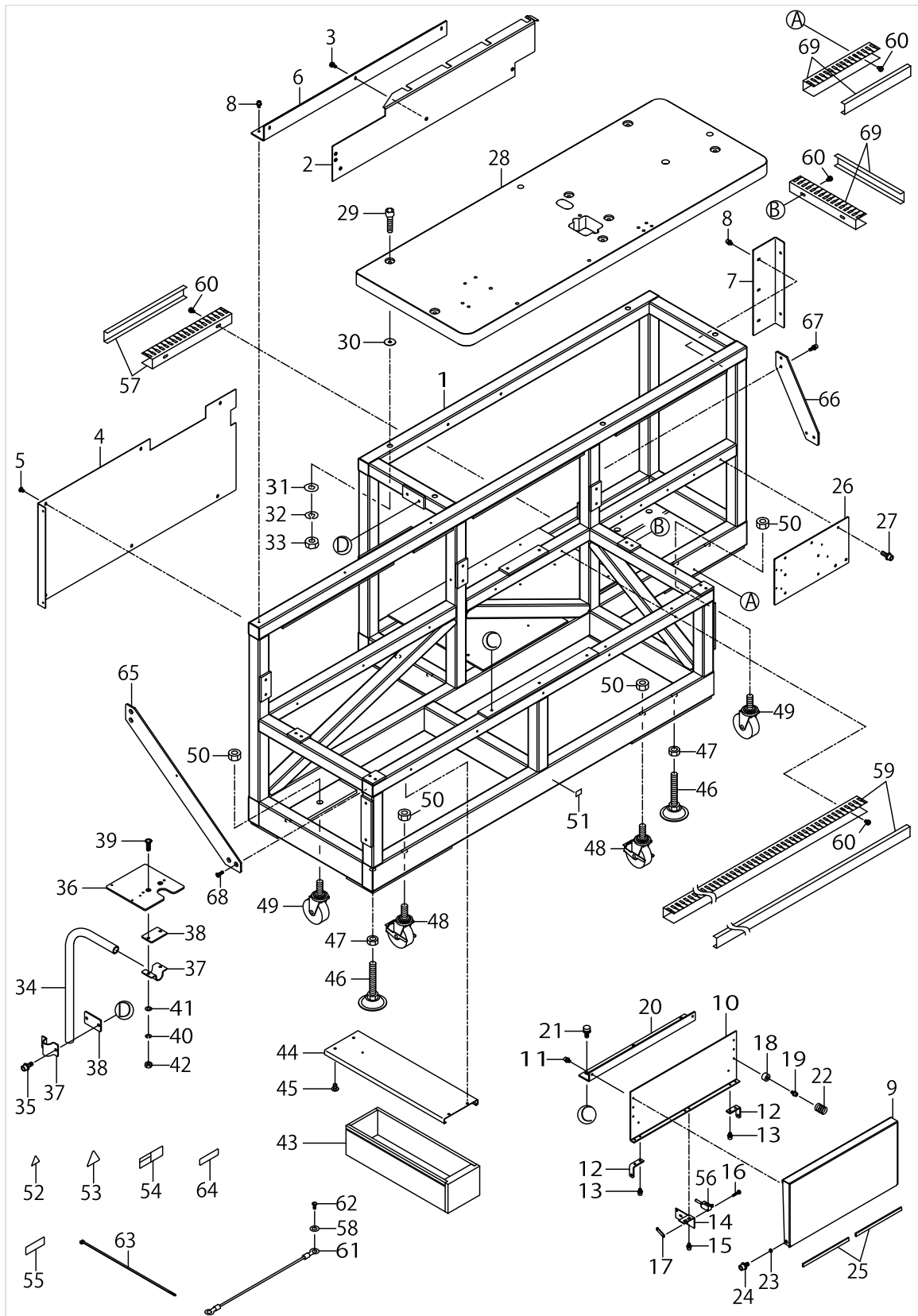
PARTS LIST

Published:05/12/2017

CONTENTS

FRAME & MECHANISM COVER COMPONENTS (1).....	1
FRAME & MECHANISM COVER COMPONENTS (2).....	5
FEED BODY COMPONENTS (1).....	9
FEED BODY COMPONENTS (2).....	13
STACKER COMPONENTS (1).....	17
STACKER COMPONENTS (2).....	21
PRESET COMPONENTS (1).....	25
PRESET COMPONENTS (2).....	29
PRESET COMPONENTS (3).....	31
PRESET COMPONENTS (4).....	35
AIR COMPONENTS	41
FRAME COMPONENTS	45
CONTROL BOX COMPONENTS	49
OPERATION PANEL COMPONENTS	53
OPTIONAL PARTS COMPONENTS.....	55
WIRING DIAGRAM (1) FOR 1-PHASE.....	59
WIRING DIAGRAM (2) FOR 3-PHASE.....	63
WIRING DIAGRAM (3).....	67
ACCESSORIES COMPONENTS (1).....	69
ACCESSORIES COMPONENTS (2).....	73
LIST FOR INFORMATION OF CHANGE.....	75
HOW TO MAKE USE OF THIS PARTS LIST	76

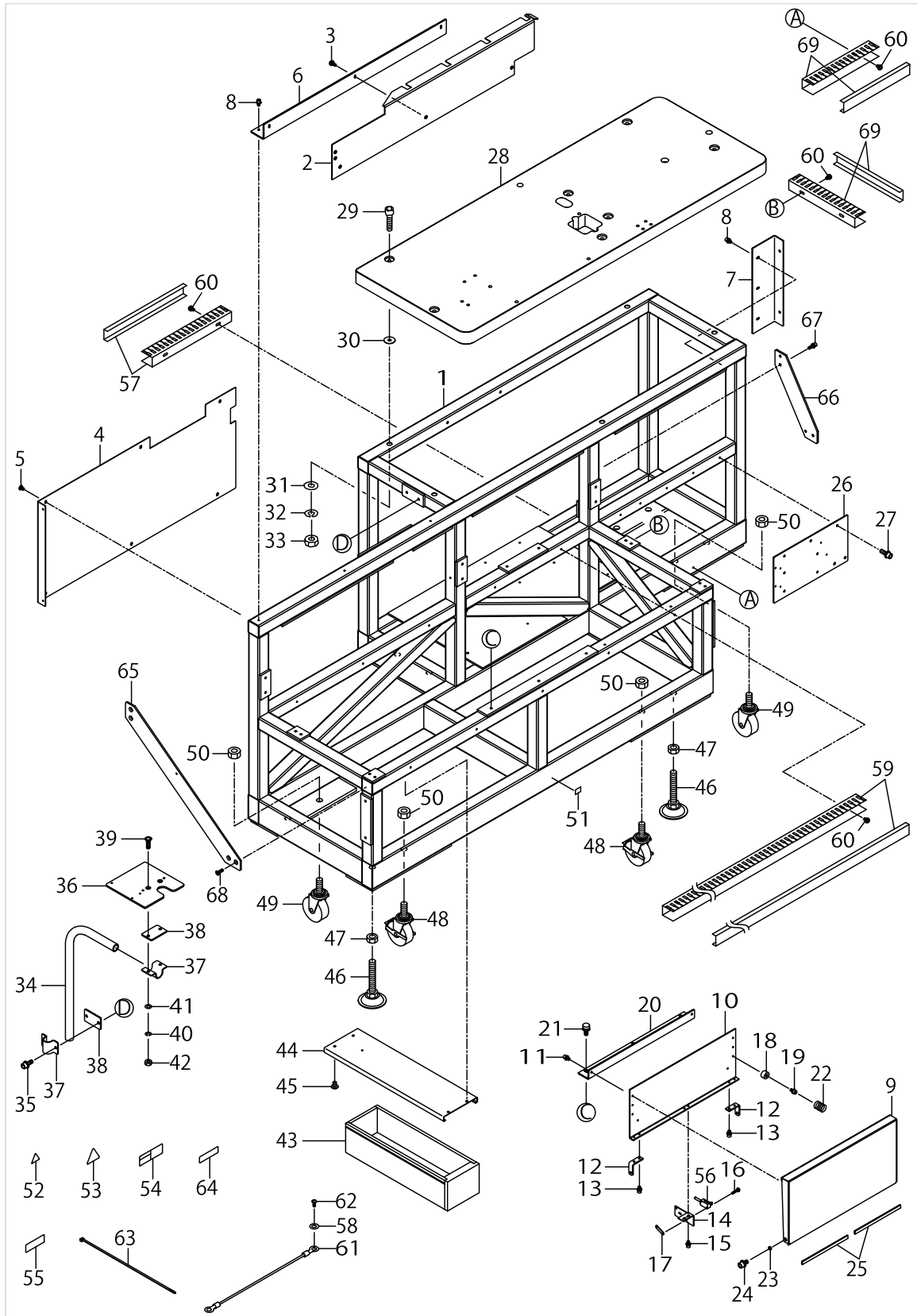
FRAME & MECHANISM COVER COMPONENTS (1)



FRAME & MECHANISM COVER COMPONENTS (1)

No.	Supply Code	Parts No.	Replacement	Parts name	Remarks	Choice	Step	Level	Cons	Qty	Rep. QTY
1		40093182		ASSY FRAME						1	
2		40093206		FEED_COVER						1	
3		SL4041091SC		SCREW M4 L=10						3	
4		40093216		REAR COVER BOTTOM						1	
5		SM0040601SA		SCREW						6	
6		G5022172000		REAR COVER SUPPORT TOP						1	
7		G5024172000		RIGHT COVER SUPPORT LARGE						1	
8		SL6040892TN		BOLT						6	
9		G50051720A0		KNEE SWITCH						1	
10		G5006172000		KNEE SWITCH SUPPORT						1	
11		SL6040892TN		BOLT						2	
12		G5007172000		KNEE SWITCH SHAFT HOLDER						2	
13		SL6040892TN		BOLT						4	
14		G5008172000		MICROSWITCH FITTING PLATE						1	
15		SL6040892TN		BOLT						2	
16		SL4031691SC		SCREW M3 L=16						2	
17		13774906		SWITCH BASE						1	
18		G5009172000		STOPPER RUBBER						3	
19		SL6040842TN		SCREW M4 L=8						3	
20		G5010172000		KNEE SWITCH FITTING PLATE						1	
21		SL9061693SE		WASHER HEXAGON- AL BOLT M6 L=16						3	
22		B3207470000		SPRING						2	
23		B2544280000		WASHER FOR WORK CLAMP FOOT HOOK						2	
24		SL6061292TN		SCREW						2	
25		GBR01910000		RUBBER CUSHION						2	
26		40011422		SV-BASE						1	
27		SL6041292TN		SCREW						3	
28		40093298		ACF TABLE						1	
29		MTJMS000030		SCREW						5	
30		22573505		PACKING						5	
31		WP0852086SC		WASHER M8						5	
32		WS0820002KN		SPRING WASHER M8						5	
33		NS6200710SN		NUT 5/16-18						5	
34		G1017192000		STAND						1	
35		SL6061692TN		BOLT						2	
36		40093212		PANEL_PLATE						1	
37		G1015192000		CLAMP						2	
38		G1016192000		CLAMP BOTTOM PLATE						2	
39		SM1062052TP		SCREW M6 L=20						2	
40		WS0610002KN		SPRING WASHER 6.1X12.2X1.5						2	
41		WP0641601SC		WASHER						2	
42		NM6060001SC		NUT M6						2	
43	R	11155108	11155157	DRAWER						1	1.00
44		G5011172000		DRAWING RAIL						1	
45		SM0040601SA		SCREW						4	

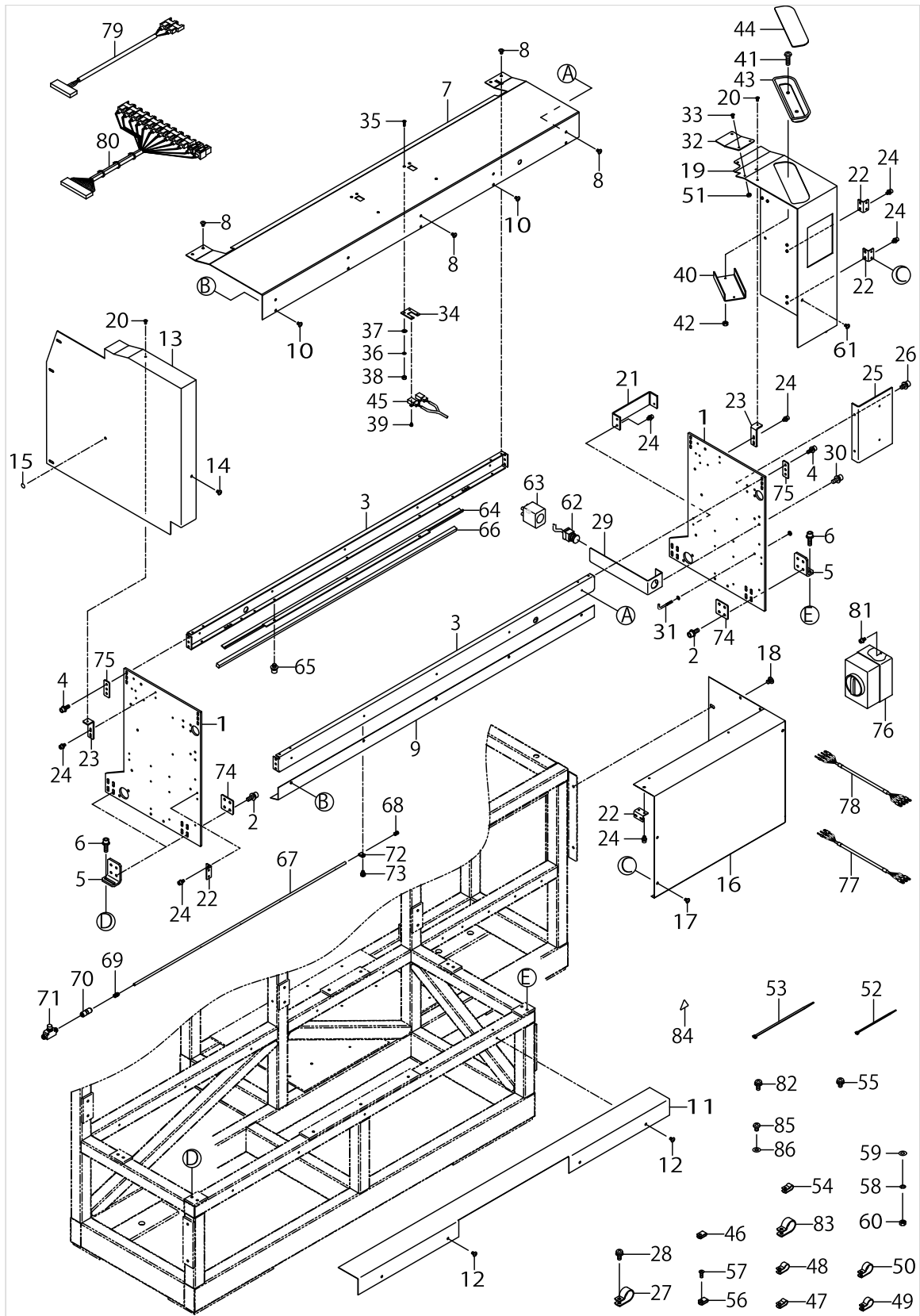
FRAME & MECHANISM COVER COMPONENTS (1)



FRAME & MECHANISM COVER COMPONENTS (1)

No.	Supply Code	Parts No.	Replacement	Parts name	Remarks	Choice	Step	Level	Cons	Qty	Rep. QTY
46		G5033172000		ADJUSTER						7	
47		NM6160001SC		NUT						7	
48		G5031164000		CASTER WITH BRAKE						4	
49		G5032164000		CASTER						2	
50		NM6160001SC		NUT						6	
51		16870206		GRAVITY SEAL						1	
52		CM300200003		ATTENTION LABEL						4	
53		CM300200004		LABEL (50)						1	
54		CM301300001		SAFETY LABEL						1	
55		40094560		CE MARKING LABEL (EU)						1	
56		40016844		START SWITCH ASSY					☆	1	
57		G6801172000		DUCT A						1	
58		WT0430002KN		WASHER M4						1	
59		G6803172000		DUCT C						1	
60		SL4040891SC		SCREW M4 L=8						8	
61		14115554		HEAD GROUND CABLE A ASM.						2	
62		SM4041050TP		SCREW						1	
63		G5453161000		CABLE BAND						1	
64		40096868		COMPLETE_NAME_L- ABEL_AC172N1790 V						1	
65		40112895		PLATE A						1	
66		40112896		PLATE B						1	
67		SL6062092TN		SCREW M6 L=20						4	
68		SM1062052TP		SCREW M6 L=20						4	
69		40114201		DUCT_D						2	

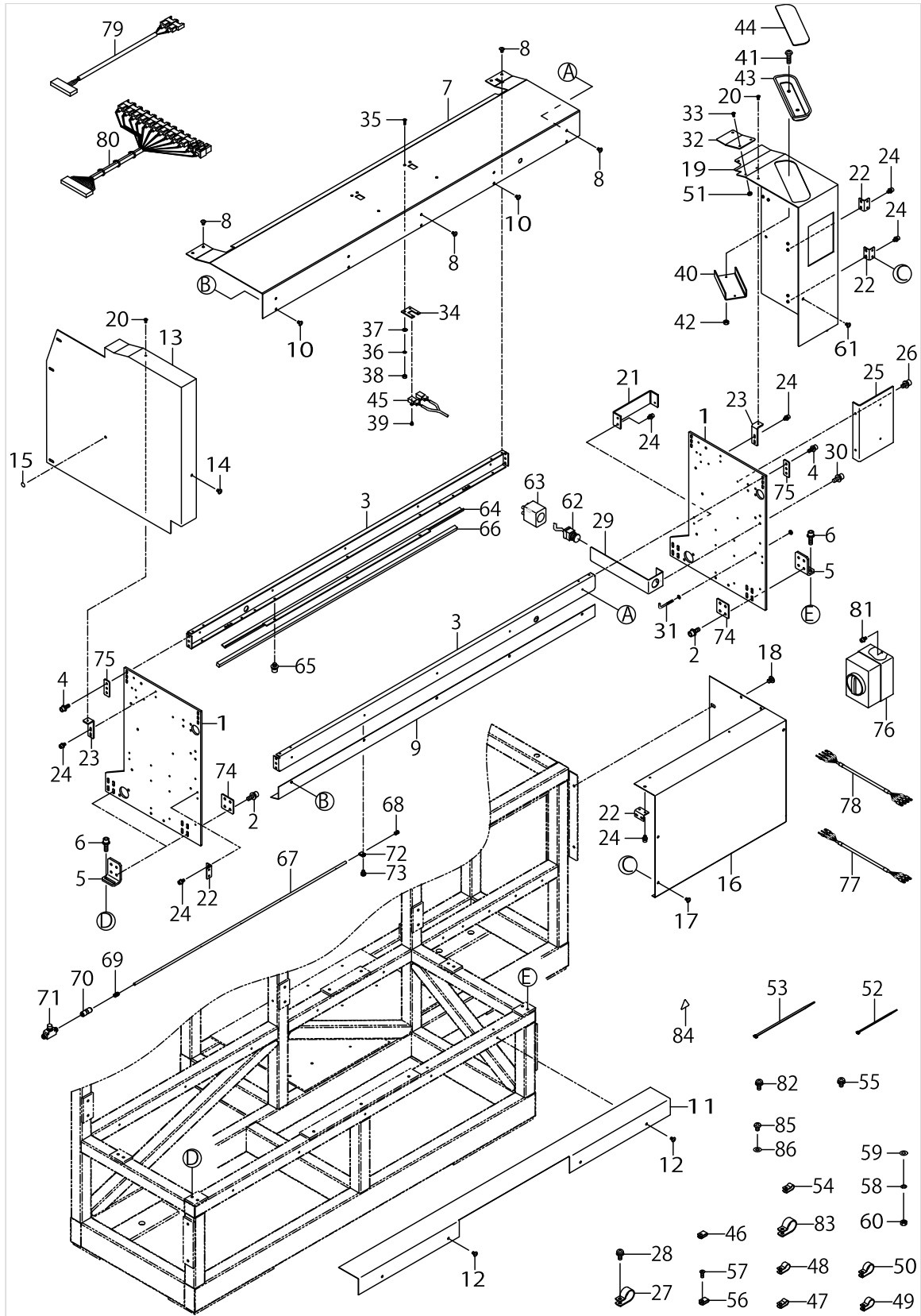
FRAME & MECHANISM COVER COMPONENTS (2)



FRAME & MECHANISM COVER COMPONENTS (2)

No.	Supply Code	Parts No.	Replacement	Parts name	Remarks	Choice	Step	Level	Cons	Qty	Rep. QTY
1		40097632		SIDE COVER						2	
2		SL6061692TN		BOLT						16	
3		40097849		SIDE PLATE CONNECTING PLATE						2	
4		SL6051492TN		BOLT						12	
5		40097633		SIDE COVER SUPPORT						4	
6		SL6062092TN		SCREW M6 L=20						8	
7		40112596		UPPER COVER						1	
8		SM0040601SA		SCREW						9	
9		G5015172000		FRONT COVER TOP						1	
10		SM0040601SA		SCREW						5	
11		G5016172000		FRONT COVER BOTTOM						1	
12		SM0040601SA		SCREW						4	
13		G5017172000		LEFT COVER						1	
14		SM0040601SA		SCREW						5	
15		40003458		MASK SEAL						1	
16		G5018172000		RIGHT COVER LARGE						1	
17		SM0040601SA		SCREW						3	
18		SM0060801SA		SCREW						2	
19		40099159		RIGHT COVER						1	
20		SM0030601SA		SCREW M3X0.5 L=6						2	
21		G5025172000		RIGHT COVER SUPPORT SMALL						1	
22		G5034171000		COVER SUPPORT						6	
23		G5016162000		STOPPER PLATE						2	
24		SL6040892TN		BOLT						18	
25		40015612		SWITCH_BASE						1	
26		SL6040892TN		BOLT						2	
27		HX00150000K		CABLE CLIP						5	
28		SL4041081SC		SCREW M4 L=10						1	
29		G5026172000		EMERGENCY SWITCH FITTING PLATE						1	
30		SL6041092TN		SCREW						2	
31		G5026162000		HOOK						1	
32		40099476		RIGHT_COVER_2						1	
33		SM0030601SA		SCREW M3X0.5 L=6						3	
34		G5013172000		CLOTH SENSOR FITTING PLATE						2	
35		SM1031001SC		SCREW M3X0.5 L=10						4	
36		WS0310002KN		SPRING WASHER M3						4	
37		WP0320501SC		WASHER M3						8	
38		NM6030001SC		NUT M3						4	
39		SL4030681SC		SCREW M3 L=6						4	
40		G5027172000		SMALL CASTINGS CASE SUPPORT						1	
41		SM4041401SC		SCREW M4X0.7 L=14						2	
42		NM6040001SC		NUT M4						2	
43		11156007		CASE						1	
44		11155801		CASE MAGNET						1	
45		40016845		CLOTH DETECT SENSOR ASSY					☆	1	
46		HX001500000		CLIP						5	

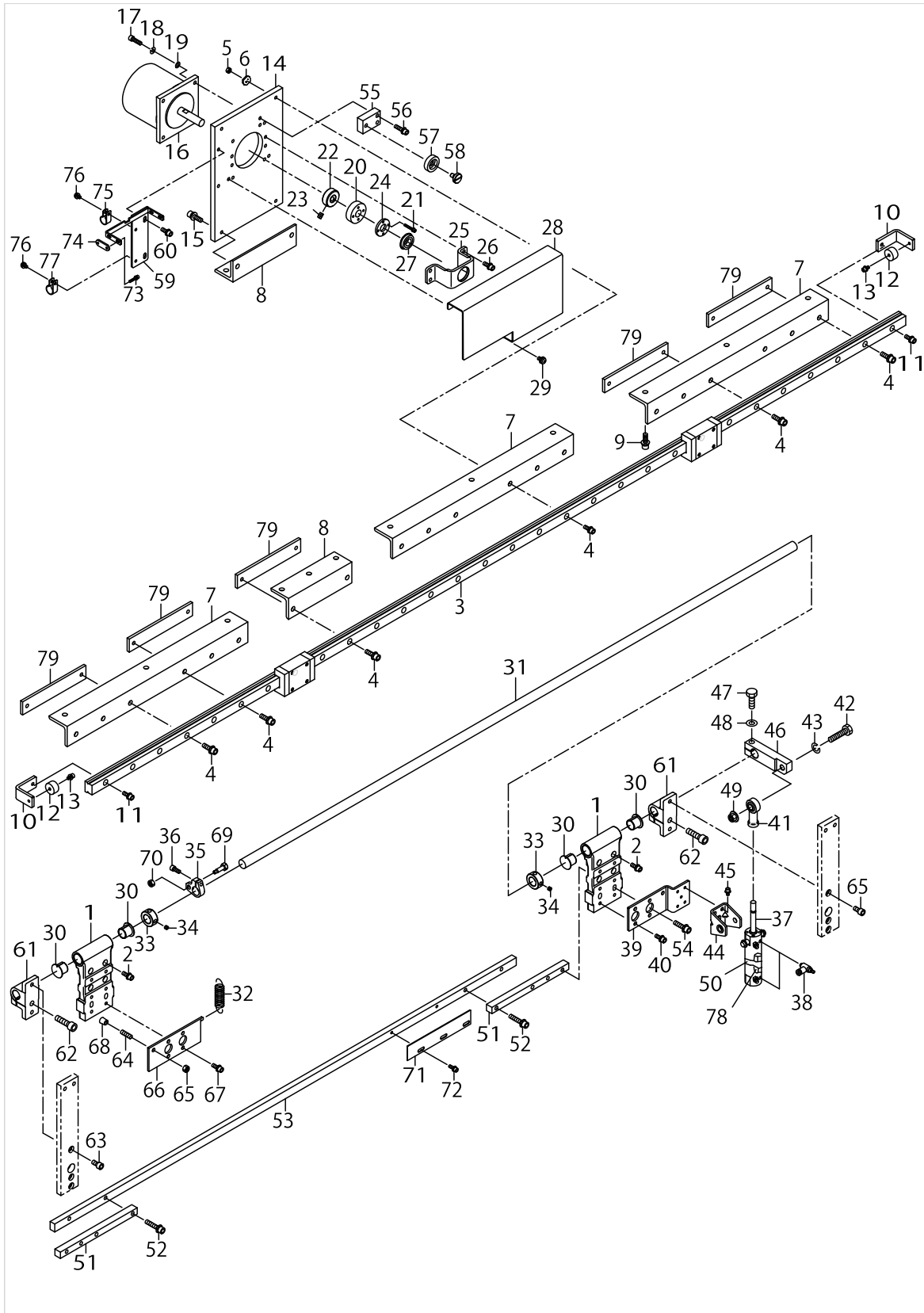
FRAME & MECHANISM COVER COMPONENTS (2)



FRAME & MECHANISM COVER COMPONENTS (2)

No.	Supply Code	Parts No.	Replacement	Parts name	Remarks	Choice	Step	Level	Cons	Qty	Rep. QTY
47		HX00150000B		CABLE CLIP						13	
48		HX00150000D		CABLE CLIP						17	
49		HX00150000F		CABLE CLIP						3	
50		HX00150000H		CABLE CLIP						5	
51		NM6030001SC		NUT M3X0.5 TYPE1						3	
52		EA9500B0100		CABLE BAND						51	
53		EA9500B0200		CABLE BAND 150						25	
54		HX00150000B		CABLE CLIP						5	
55		SL4040891SC		SCREW M4 L=8						32	
56		HX001500000		CLIP						2	
57		SM1031001SC		SCREW M3X0.5 L=10						2	
58		WS0310002KN		SPRING WASHER M3						2	
59		WP0320501SC		WASHER M3						2	
60		NM6030001SC		NUT M3						2	
61		SM0040601SA		SCREW						2	
62		40015562		PAUSE SWITCH ASSY					☆	1	
63		HA004290010		SWITCH COVER						1	
64		G5217172000		CLOTH PRESSER PLATE						1	
65		SL6040892TN		BOLT						3	
66		G5212172000		PUSHER CUSHION						1	
67		G5136172000		BLOW PIPE						1	
68		SM8050812TP		SCREW M5X8						1	
69		PJ032059008		NIPPLE						1	
70		PJ303060001		STRAIGHT UNION						1	
71		PC012601000		SPEED CONTROLLER						1	
72		HX001500000		CLIP						1	
73		SL4040881SC		SCREW M4 L=8						1	
74		40095627		WASHER A						4	
75		40095628		WASHER B						4	
76		HA005820000		SWITCH						1	
77		40017092		AC POWER CORD 1P ASSY	FOR 1-PHASE					1	
78		40017091		AC POWER CORD 3P ASSY	FOR 3-PHASE					1	
79		40016853		SENSOR JOINT CORD B ASSY						1	
80		40085613		SENSOR JOINT CORD A ASSY					☆	1	
81		SL6040892TN		BOLT						2	
82		SL4041091SC		SCREW M4 L=10						3	
83		HX00150000K		CABLE CLIP						2	
84		CM300300003		HIGH TEMPARATUR- E CAUTION LABEL 2 (31.5)						1	
85		SM4040601SC		SCREW M4X0.7 L=6						5	
86		WP0430801SC		WASHER M4						5	

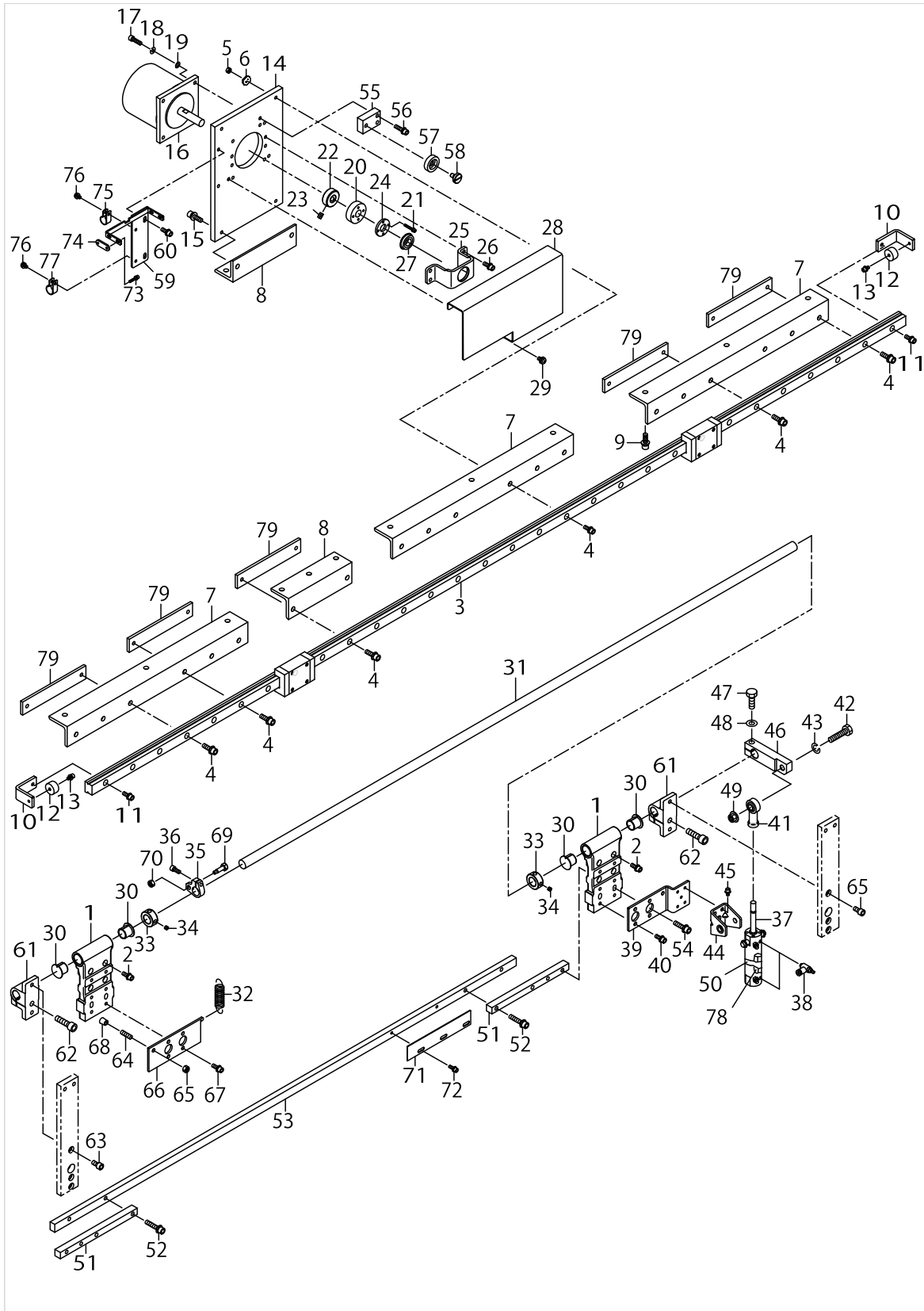
FEED BODY COMPONENTS (1)



FEED BODY COMPONENTS (1)

No.	Supply Code	Parts No.	Replacement	Parts name	Remarks	Choice	Step	Level	Cons	Qty	Rep. QTY
1		G5101172000		FEED BODY						2	
2		SL6051442TN		BOLT						8	
3		G5010164000		FEED RAIL						1	
4		SL6052042TN		SCREW						21	
5		NM6050001SC		NUT M5						4	
6		WP0522016SH		WASHER						4	
7		40093358		FEED RAIL SUPPORT L						3	
8		40093359		FEED RAIL SUPPORT						2	
9		SL6062092TN		SCREW M6 L=20						13	
10		G5105172000		FITTING PLATE						2	
11		SL6051442TN		BOLT						2	
12		G5009172000		STOPPER RUBBER						2	
13		SL6040842TN		SCREW M4 L=8						2	
14		40012545		MOTOR_BASE_PLATE						1	
15		SL6051492TN		BOLT						2	
16		40085618		CARRIER MOTOR					☆	1	
17		SM6051802TP		SCREW M5 L=18						4	
18		WS0510002KN		SPRING WASHER						4	
19		WP0531001SC		WASHER						4	
20		40012547		GEAR					☆	1	
21		SL6032092TN		BOLT						4	
22		40012546		GEAR_BOSS					☆	1	
23		SM8060802TP		SCREW M6 L=8						2	
24		40012548		GEAR_PLATE					☆	1	
25		40012529		BEARING_BASE						1	
26		SL6051492TN		BOLT						4	
27		SB112001100		BEARING					☆	1	
28		G5139172000		FEED MECHANISM COVER						1	
29		SL4051091SC		SCREW M5X0.8 L=10						2	
30		G5112172000		FEED BODY FALLING SHAFT HOLDER						4	
31		G5113172000		FEED BODY FALLING SHAFT						1	
32		40020109		CLAMP_TABLE_SPRING						1	
33		CS1501181TP		THRUST COLLAR D=15 W=11						2	
34		SM8050412TP		SCREW M5 L=4						4	
35		11206505		FEED DRIVING LINK						1	
36		SS6121212TP		SCREW 3/16-28 L=12.0						1	
37		PA200251500		AIR CYLINDER (DIA20-25ST)					☆	1	
38		PC010508000		SPEED CONTROLLER						2	
39		G5114172000		FALLING CYLINDER SUPPORT						1	
40		SL6051492TN		BOLT						4	
41		G5606116000		CYLINDER ROD END						1	
42		SM9083503SC		SCREW M8 L=35						1	
43		WS0820002KN		SPRING WASHER M8						1	
44		PA900041000		CYLINDER BRACKET						1	
45		SL6040892TN		BOLT						4	
46		G5115172000		ROCKING ARM						1	

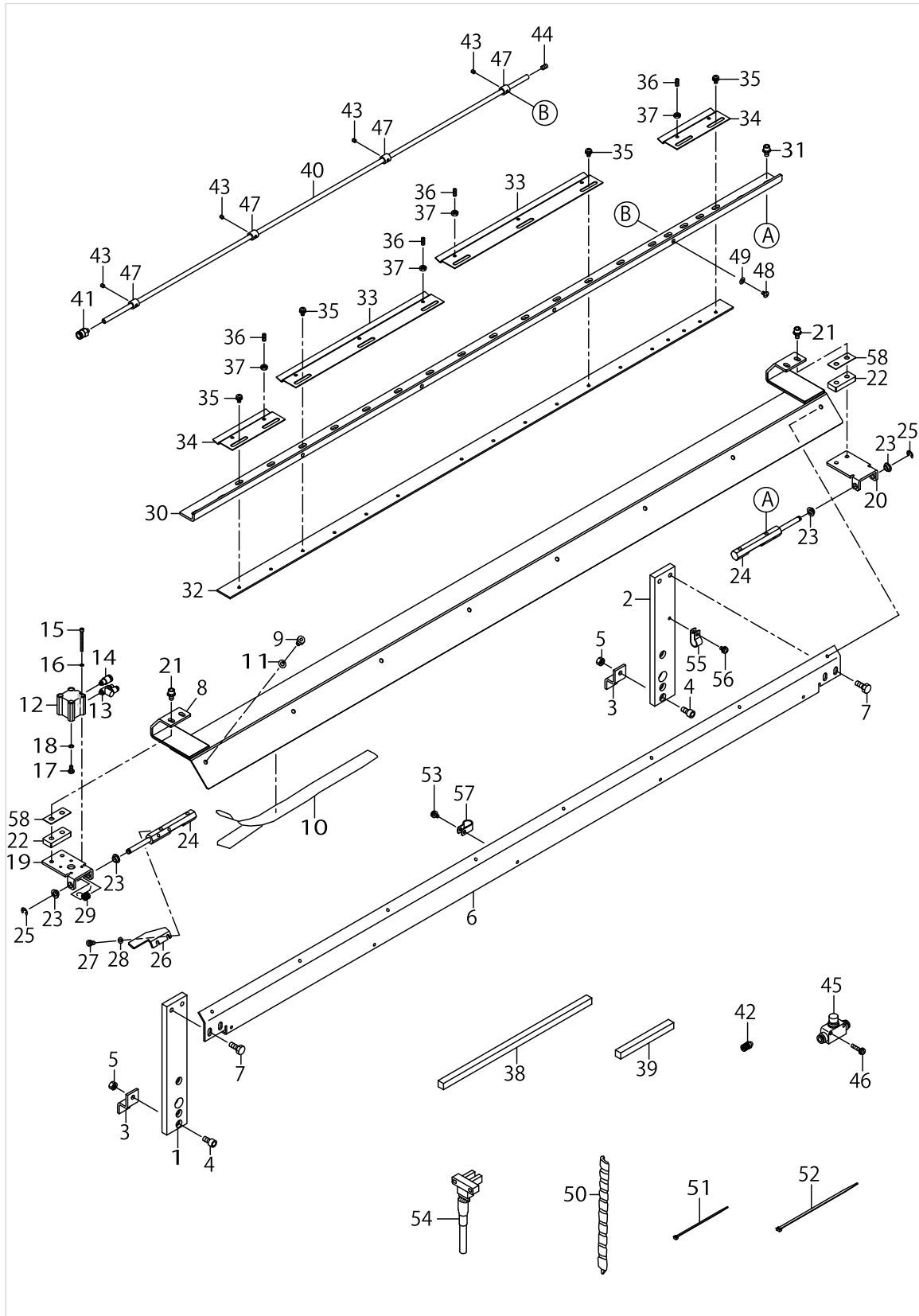
FEED BODY COMPONENTS (1)



FEED BODY COMPONENTS (1)

No.	Supply Code	Parts No.	Replacement	Parts name	Remarks	Choice	Step	Level	Cons	Qty	Rep. QTY
47		SM9082503SE		HEXAGONAL HEADED BOLT						1	
48		WP0841601SC		WASHER 8.4X17.4X1.6						1	
49		G5238171000		NUT						1	
50		PX906003000		SWITCH CLAMP (DIA20)						1	
51		G5106172000		RACK FIXING ROD						2	
52		SL6063092TN		SCREW M6 L=30						4	
53		G5107172000		RACK						1	
54		SL6062592TN		SCREW						4	
55		G5110172000		RACK HOLDER FITTING PLATE						1	
56		SL6052092TN		SCREW						2	
57		G5111172000		RACK HOLDER						1	
58		G5150162000		SCREW						1	
59		G5108172000		FITTING PLATE						1	
60		SL6051492TN		BOLT						2	
61		G5116172000		STUD BRACKET						2	
62		SM6083002TP		SCREW M8 L=30						2	
63		SM6061202TP		SCREW M6 L=12						4	
64		SM8062012TP		SCREW M6 L=20						2	
65		NM6060003SC		NUT M6						2	
66		G5120172000		STUD STOPPER FITTING PLATE						1	
67		SL6051492TN		BOLT						4	
68		G5138161000		RUBBER CAP						2	
69		G5121172000		SPRING HOOK						1	
70		NM6060003SC		NUT M6						1	
71		G5102164000		ORIGINAL POINT SENSOR PLATE						1	
72		SL6041292TN		SCREW						2	
73		SL6031642TN		SCREW						2	
74		G5153171000		SENSOR PLATE						1	
75		HX00150000E		CORD PRESSER 3-- POLE (220/240V)						3	
76		SL4040891SC		SCREW M4 L=8						2	
77		HX00150000F		CABLE CLIP						1	
78		40016849		CARRIER MOV CYL SW ASSY					☆	1	
79		40097687		RAIL FIXING NUT						5	

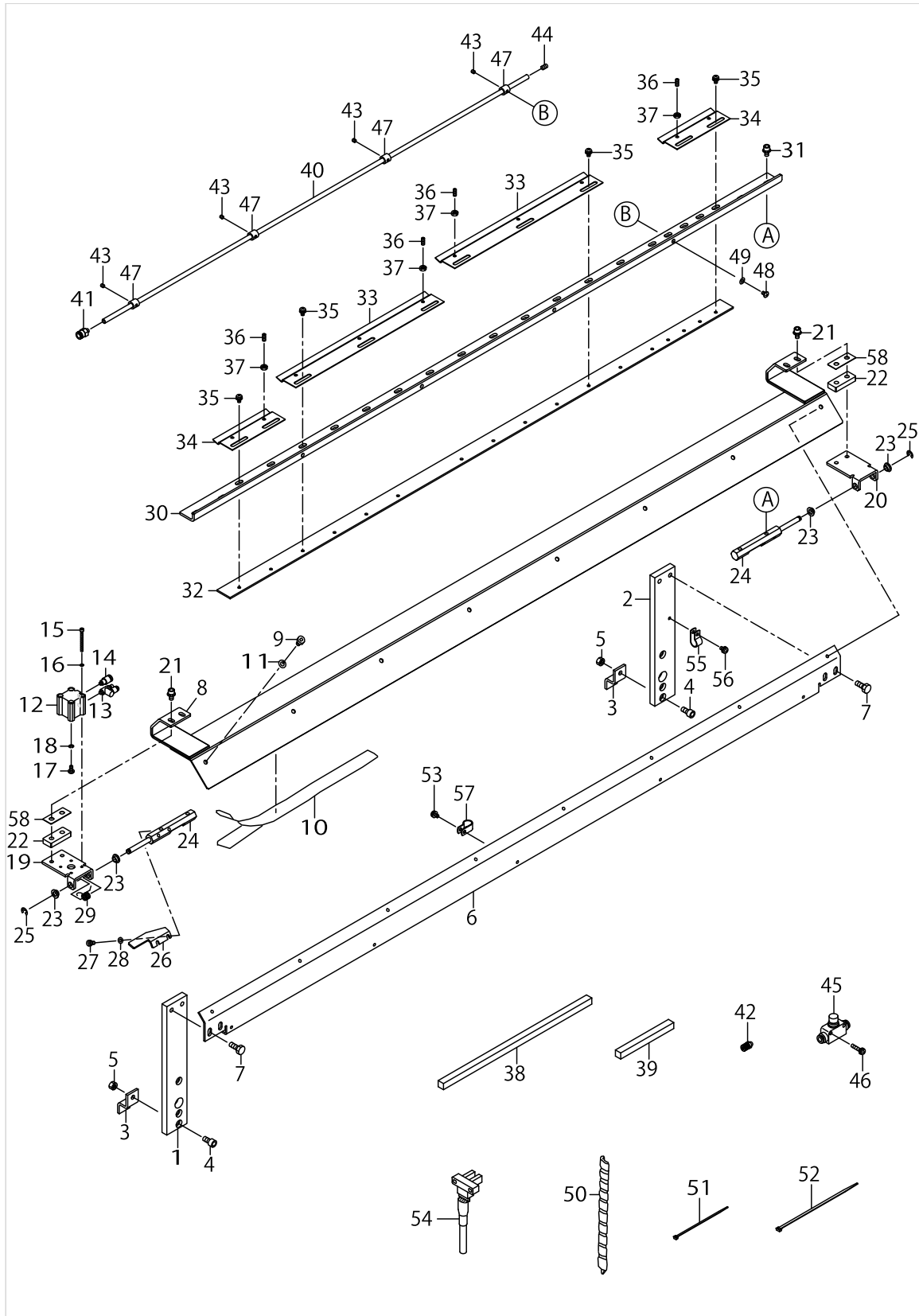
FEED BODY COMPONENTS (2)



FEED BODY COMPONENTS (2)

No.	Supply Code	Parts No.	Replacement	Parts name	Remarks	Choice	Step	Level	Cons	Qty	Rep. QTY
1		G5117172000		STUD LEFT						1	
2		40093178		STUD_R						1	
3		G5119172000		STUD STOPPER						2	
4		SM6061202TP		SCREW M6 L=12						2	
5		NM6060003SC		NUT M6						2	
6		40093295		CLAMP TABLE SUPPORT						1	
7		SL9061693SE		WASHER HEXAGON- AL BOLT M6 L=16						4	
8		40093179		CLAMP TABLE						1	
9		G5144162000		SCREW						8	
10		G5138172000		CLAMP TABLE LINER						1	
11		WS0410002KN		SPRING WASHER						8	
12		PA160100500		AIR CYLINDER					☆	1	
13		PC010519000		SPEED CONTROLLER						1	
14		PJ301040502		HALF UNION 4XM5						1	
15		SM6033052TP		SCREW						4	
16		WS0310002KN		SPRING WASHER M3						4	
17		SM4040801SN		SCREW M4 L=8						1	
18		WS0410002KN		SPRING WASHER						1	
19		G5124172000		HOLDINGPLATELEFT						1	
20		G5125172000		HOLDING PLATE RIGHT						1	
21		SL6051292TN		BOLT						4	
22		40107710		SPACER_A						2	
23		G5126172000		CLAMP SHAFT HOLDER						4	
24		40109423		CLAMP_SHAFT						2	
25		RE0500000K0		E-RING						2	
26		G5128172000		CLAMP SHAFT ARM						1	
27		G5144162000		SCREW						2	
28		WP0430801SC		WASHER 4.3X9X0.8						2	
29		G5129172000		CLAMP SPRING						1	
30		G5130172000		CLAMPFITTINGBASE						1	
31		SL6051092TN		BOLT						4	
32		G5131172000		CLAMP FITTING NUT						1	
33		G5132172000		CLAMP LARGE					☆	2	
34		G5133172000		CLAMP SMALL						2	
35		SL4040891SC		SCREW M4 L=8						13	
36		SM8041012TP		SCREW M4 L=10						10	
37		NM6040003SC		NUT M4						10	
38		G5134172000		CLAMP CUSHION LARGE					☆	2	
39		G5135172000		CLAMP CUSHION SMALL					☆	2	
40		G5136172000		BLOW PIPE						1	
41		PJ301060503		HALF UNION						1	
42		PJ032059008		NIPPLE						1	
43		SM8040402TP		SCREW M4X0.7 L=4						4	
44		SM8050812TP		SCREW M5X8						1	
45		PC012601000		SPEED CONTROLLER						1	
46		SL4042081SC		SCREW						1	

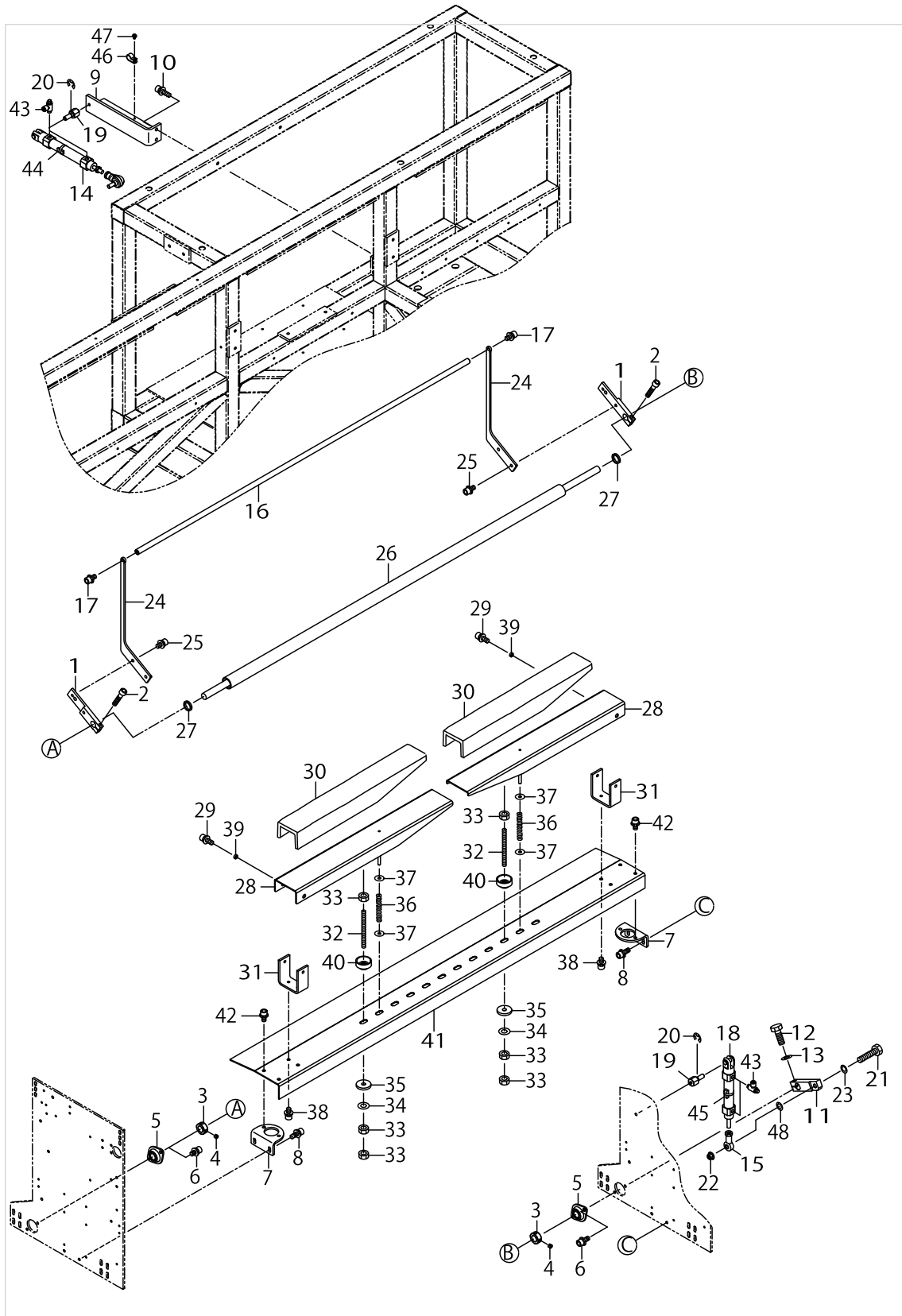
FEED BODY COMPONENTS (2)



FEED BODY COMPONENTS (2)

No.	Supply Code	Parts No.	Replacement	Parts name	Remarks	Choice	Step	Level	Cons	Qty	Rep. QTY
47		G5137172000		BLOW PIPE HOLDER						4	
48		SM0040601SA		SCREW						4	
49		WP0430801SC		WASHER 4.3X9X0.8						4	
50		G5454161000		SPIRAL TUBE						2	
51		EA9500B0100		CABLE BAND						6	
52		EA9500B0200		CABLE BAND 150						1	
53		SL4040891SC		SCREW M4 L=8						5	
54		40016842		CARRIER ORG SENSOR ASSY					☆	1	
55		HX00150000E		CORD PRESSER 3-- POLE (220/240V)						1	
56		SL4040891SC		SCREW M4 L=8						1	
57		HX00150000E		CORD PRESSER 3-- POLE (220/240V)						5	
58		40107711		SPACER_B						2	

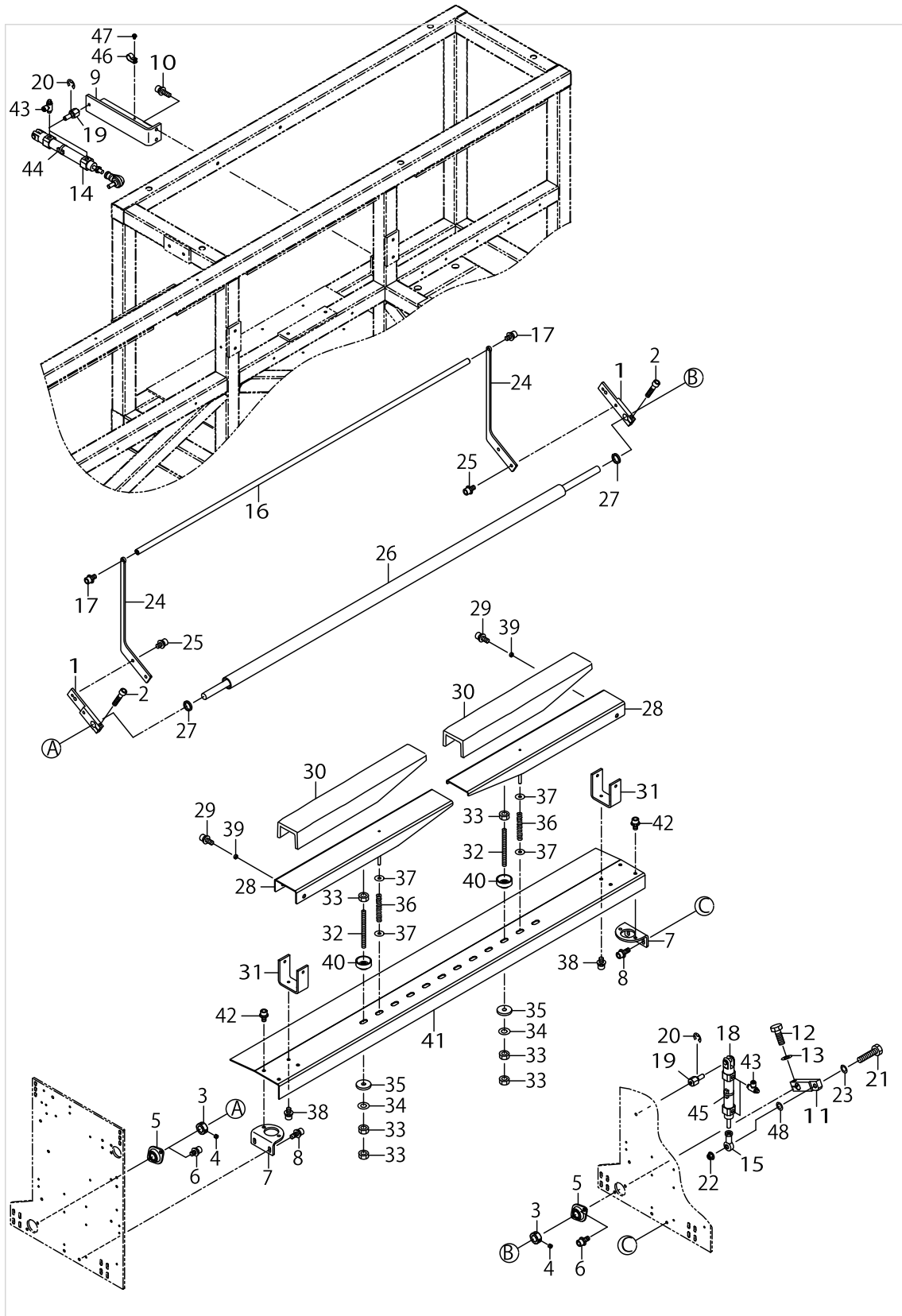
STACKER COMPONENTS (1)



STACKER COMPONENTS (1)

No.	Supply Code	Parts No.	Replacement	Parts name	Remarks	Choice	Step	Level	Cons	Qty	Rep. QTY
1		40016101		STACKER_SHAFT_ARM						2	
2		SM6062502TP		SCREW M6 L=25						2	
3		GS1501181TP		THRUST COLLAR D=15 W=11						2	
4		SM8050412TP		SCREW M5 L=4						4	
5		G5239171000		FLANGE						2	
6		SL6061292TN		SCREW						4	
7		G5214172000		ROCKING HOLDER SHAFT BASE						2	
8		SL6061692TN		BOLT						4	
9		G52151720A0		PUSHER ROCKING CYLINDER BASE						1	
10		SL6062092TN		SCREW M6 L=20						2	
11		G5115172000		ROCKING ARM						1	
12		SM9082503SE		HEXAGONAL HEADED BOLT						1	
13		WP0841601SC		WASHER 8.4X17.4X1.6						1	
14		PA2007508A0		AIR CYLINDER					☆	1	
15		G5606116000		CYLINDER ROD END						1	
16		G5218172000		SWING BAR						1	
17		SL6061292TN		SCREW						2	
18		PA2005015A0		AIR CYLINDER					☆	1	
19		G5216172000		ROCKING FULCRUM SHAFT						2	
20		RE0700000K0		E-RING 7						2	
21		SM9083503SC		SCREW M8 L=35						1	
22		G5238171000		NUT						1	
23		WP0841601SC		WASHER 8.4X17.4X1.6						1	
24		G5219172000		SWING BAR ARM						2	
25		SL6061292TN		SCREW						4	
26		G5220172000		SWING BAR SHAFT SPACER						1	
27		HX00055000C		CABLE CLIP						2	
28		G52211720A0		CLOTH PILING TABLE						2	
29		SL6061292TN		SCREW						4	
30	D	G5222172000		CUSHION						2	
31		G5223172000		CLOTH PILING TABLE SUPPORT						2	
32		G5224172000		CLOTH PILING SUPPORT BOLT						2	
33		NM6080003SC		NUT M8						6	
34		WP0841601SC		WASHER 8.4X17.4X1.6						2	
35		MTJMGC00000		RUBBER CUSHION						2	
36		B1505040000		PRESSER SPRING						2	
37		WP0651646SC		WASHER						4	
38		SL6061292TN		SCREW						4	
39		B1504761A00		ROLLER COLLAR (A)						4	
40		G5225172000		CLOTH PILING TABLE ROCK NUT						2	
41		G5226172000		CLOTH PILING TABLE HOLDER						1	
42		SL6061292TN		SCREW						4	
43		PC015108000		SPEED CONTROLLER						4	
44		40016850		STACKER CNT CYL SW ASSY					☆	1	
45		40016851		STACKER2 CYL SW ASSY					☆	1	

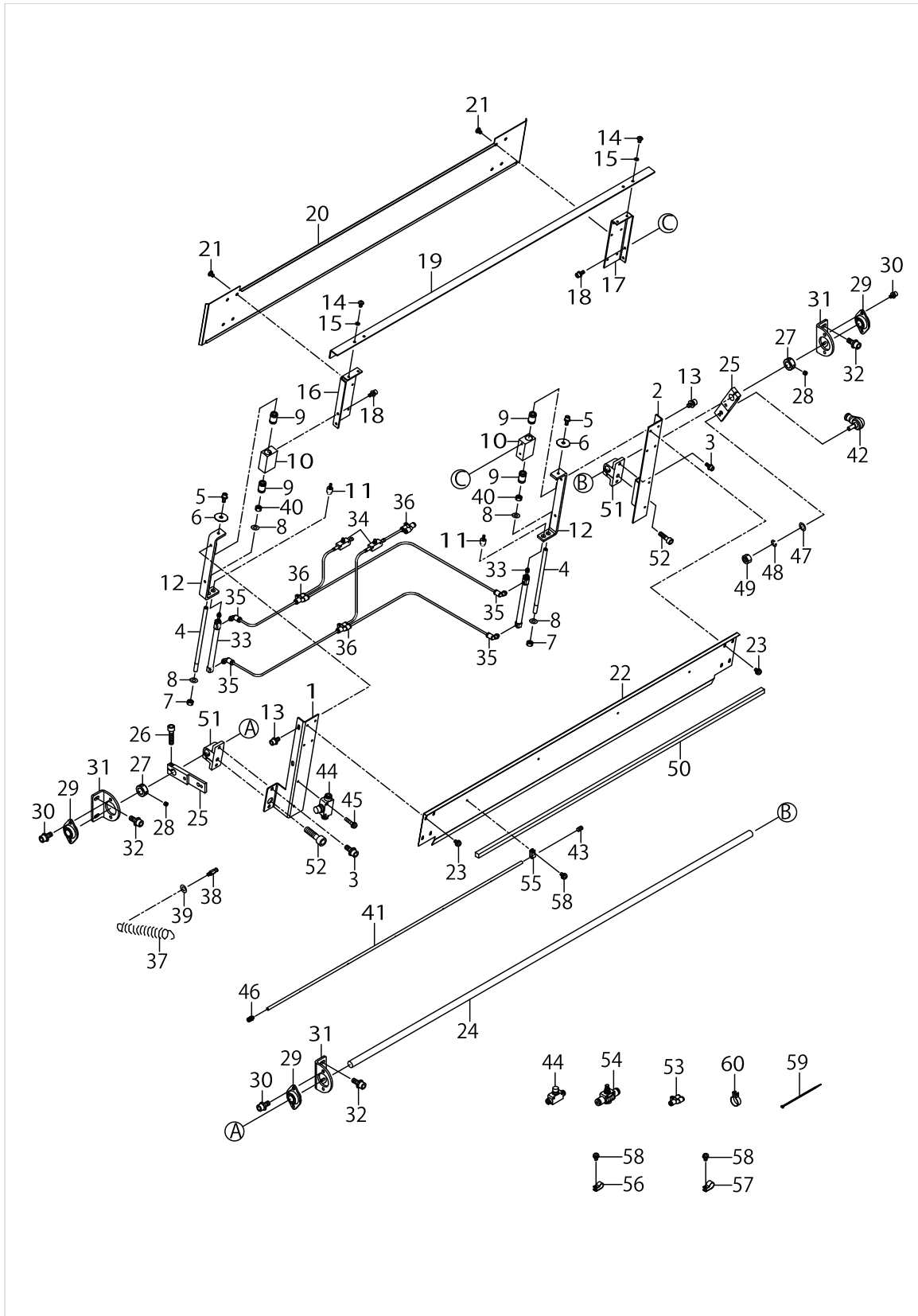
STACKER COMPONENTS (1)



STACKER COMPONENTS (1)

No.	Supply Code	Parts No.	Replacement	Parts name	Remarks	Choice	Step	Level	Cons	Qty	Rep. QTY
46		HX00150000E		CORD PRESSER 3-- POLE (220/240V)						1	
47		SL4040881SC		SCREW M4 L=8						1	
48		WS0820002KN		SPRING WASHER M8						1	

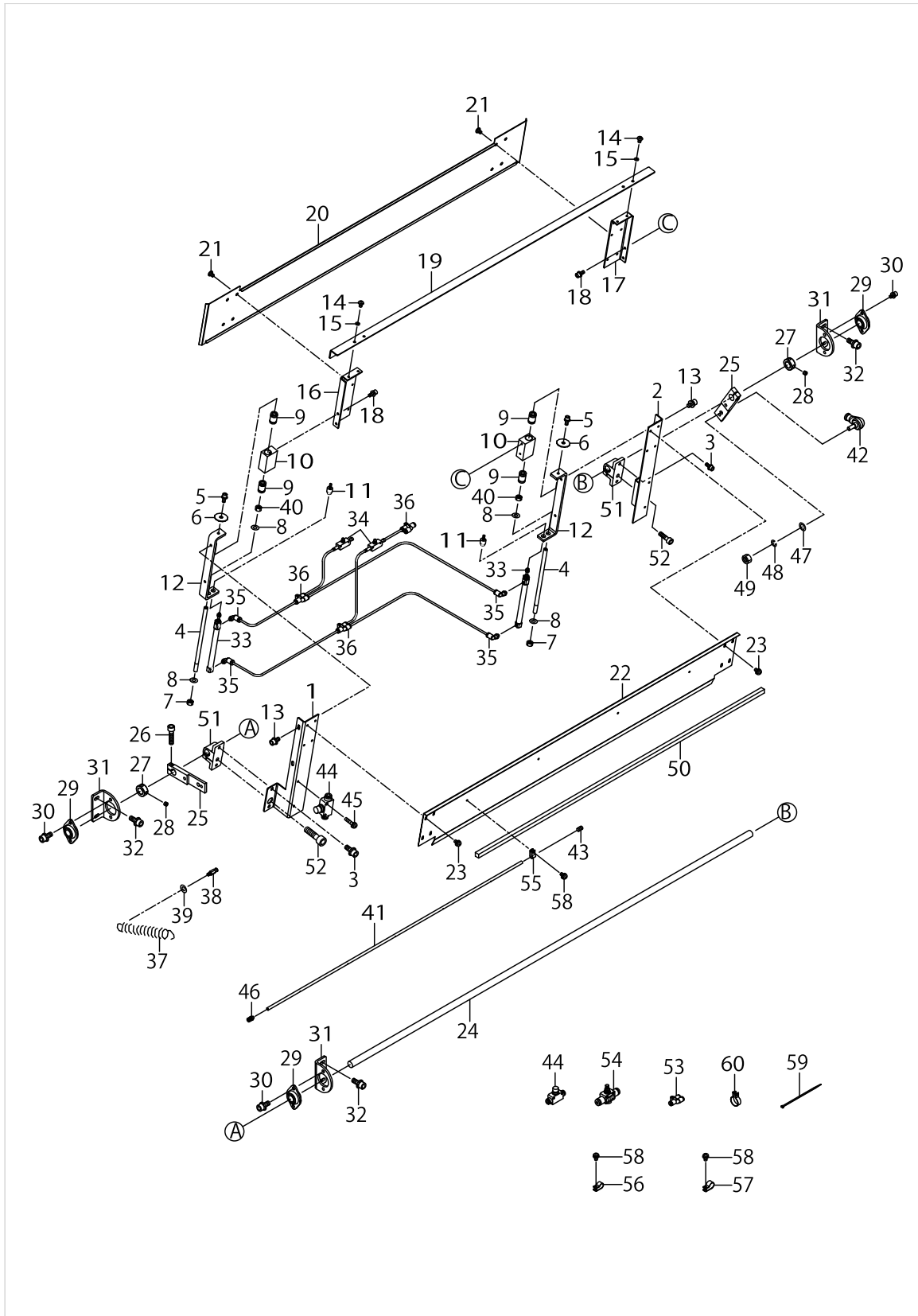
STACKER COMPONENTS (2)



STACKER COMPONENTS (2)

No.	Supply Code	Parts No.	Replacement	Parts name	Remarks	Choice	Step	Level	Cons	Qty	Rep. QTY
1		G5201172000		PUSHER STUD LEFT						1	
2		G5202172000		PUSHER STUD RIGHT						1	
3		SL6061692TN		BOLT						4	
4		G5204172000		PUSHER SHAFT						2	
5		SL6041042TN		BOLT						2	
6		WP0451016SP		WASHER 4.5X20X1						2	
7		NM6080001SC		NUT M8X1.25						2	
8		WP0841600SE		WASHER 8.4X15.5X1.6						4	
9		SB708000100		BEARING						4	
10		G5205172000		PUSHER SHAFT HOLDING BOX						2	
11		PA900024000		FLOATING JOINT A						2	
12	R	G5203172000	G5203172000A	PUSHER SHAFT BASE		A				2	1.00
12	R	G5203172000	PA900024000	PUSHER SHAFT BASE		A				2	1.00
12	R	G5203172000	G5204172000A	PUSHER SHAFT BASE		A				2	1.00
12	R	G5203172000	NM6080001SC	PUSHER SHAFT BASE		A				2	1.00
12	R	G5203172000	WP0841601SC	PUSHER SHAFT BASE		A				2	1.00
13		SL6051092TN		BOLT						4	
14		G5144162000		SCREW						8	
15		WP0430801SC		WASHER 4.3X9X0.8						8	
16		G5207172000		PUSHER PLATE LEFT						1	
17		G5208172000		PUSHER PLATE RIGHT						1	
18		SL6041092TN		SCREW						4	
19		G5209172000		PUSHER						1	
20		G5210172000		PUSHER COVER						1	
21		SM0040601SA		SCREW						8	
22		G5211172000		PUSHER STAY						1	
23		SL4040691SC		SCREW M4 L=6						8	
24		G5213172000		PUSHER ROCKING SHAFT						2	
25		40016101		STACKER_SHAFT_ARM						2	
26		SM6062502TP		SCREW M6 L=25						2	
27		CS1501181TP		THRUST COLLAR D=15 W=11						2	
28		SM8050412TP		SCREW M5 L=4						4	
29		G5239171000		FLANGE						3	
30		SL6061292TN		SCREW						6	
31		G5214172000		ROCKING HOLDER SHAFT BASE						3	
32		SL6061692TN		BOLT						6	
33		PA1008501A0		AIR CYLINDER (DIA10-85ST)					☆	2	
34		PC012401000		SPEED CONTROLLER						2	
35		PJ304040504		ELBOW UNION						4	
36		PJ308040002		QUICK COUPLING						3	
37		40105662		SPRING						1	
38		40105663		SPRING_HOOK						2	
39		WP0641601SC		WASHER						2	
40		NM6080003SC		NUT M8						2	
41		G5136172000		BLOW PIPE						2	
42		G5204171000		LINK BOLL						1	

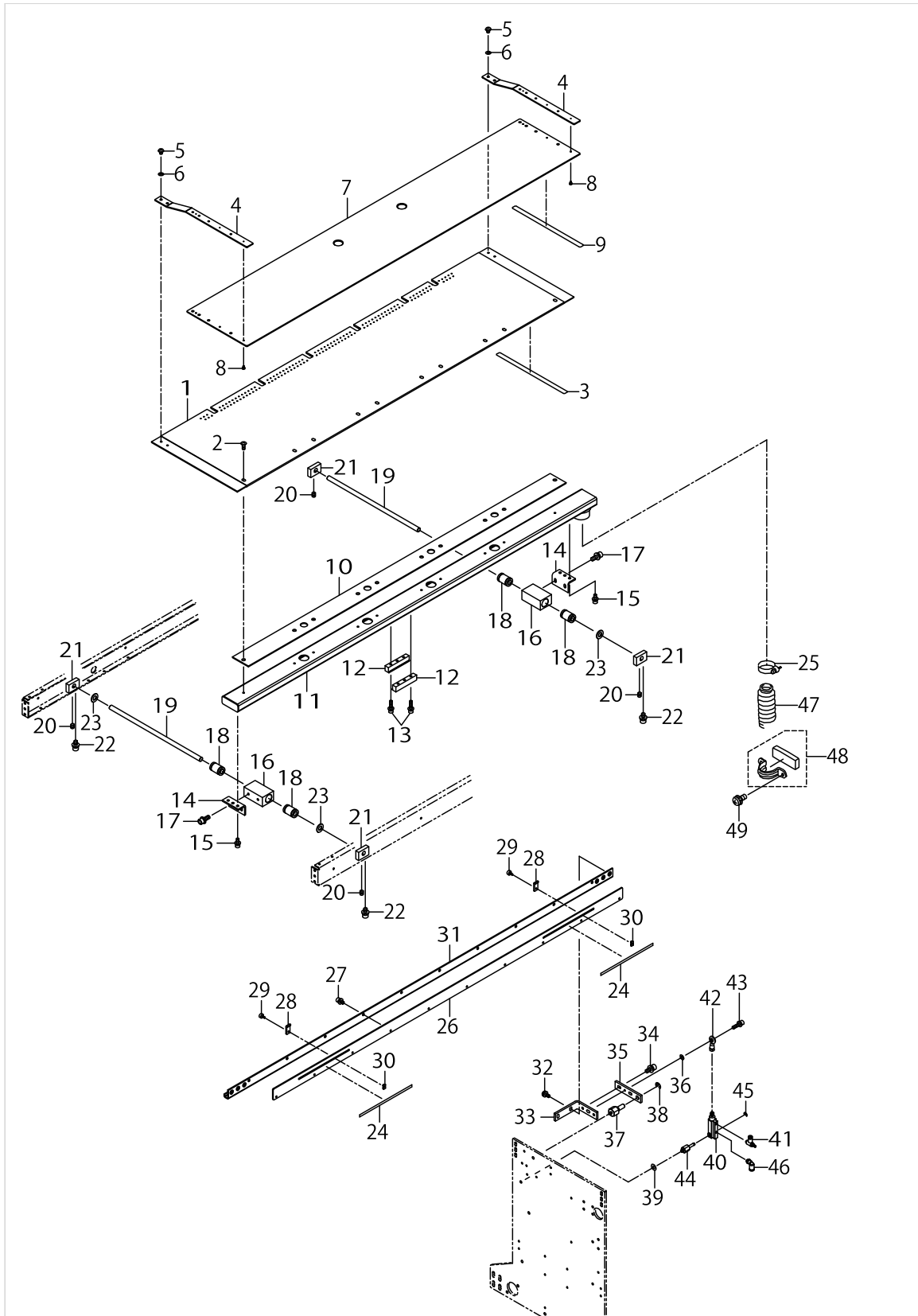
STACKER COMPONENTS (2)



STACKER COMPONENTS (2)

No.	Supply Code	Parts No.	Replacement	Parts name	Remarks	Choice	Step	Level	Cons	Qty	Rep. QTY
43		SM8050812TP		SCREW M5X8						2	
44		PC012601000		SPEED CONTROLLER						2	
45		SL4032081SC		SCREW M3 L=20						1	
46		PJ032059008		NIPPLE						2	
47		WP0841601SC		WASHER 8.4X17.4X1.6						1	
48		WS0820002KN		SPRING WASHER M8						1	
49		NM6080001SC		NUT M8X1.25						1	
50		G5212172000		PUSHER CUSHION						1	
51		G5116172000		STUD BRACKET						2	
52		SM6083002TN		SCREW M8 L=30						2	
53		PJ308040002		QUICK COUPLING						1	
54		PC012401000		SPEED CONTROLLER						1	
55		HX00150000B		CABLE CLIP						5	
56		HX00150000D		CABLE CLIP						1	
57		HX00150000F		CABLE CLIP						1	
58		SL4040881SC		SCREW M4 L=8						7	
59		EA9500B0200		CABLE BAND 150						2	
60	D	PA900046000		SENSOR BAND						2	

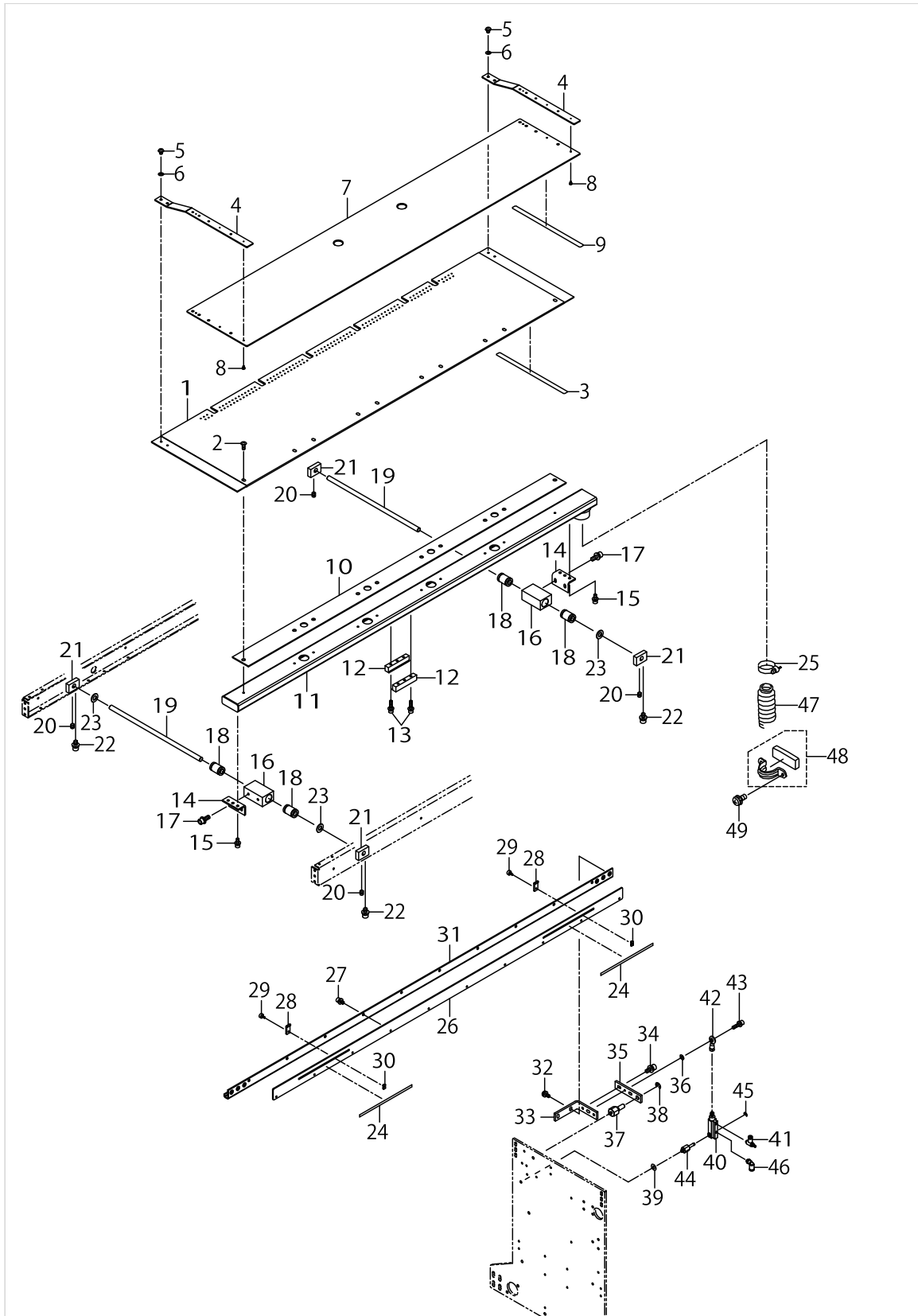
PRESET COMPONENTS (1)



PRESET COMPONENTS (1)

No.	Supply Code	Parts No.	Replacement	Parts name	Remarks	Choice	Step	Level	Cons	Qty	Rep. QTY
1		40093181		PRESET TABLE						1	
2		SM0041001SC		SCREW M4 L=10						10	
3		G5302172000		PRESET TABLE LINER						5	
4		40111979		PRESET PLATE SUPPORT						2	
5		SM4040501SN		SCREW M4X0.7 L=5						4	
6		WP0430801SC		WASHER 4.3X9X0.8						4	
7		G5304172000		AUXILIARY PRESET PLATE						1	
8		SM6020350SP		SCREW M2 L=2.5						6	
9		G5305172000		AUXILIARY PRESET LINER						5	
10		G5306172000		PRESET PACKING						1	
11		G53071720A0		PRESET FITTING PLATE						1	
12		G5308172000		CAM FOLLOWER RAIL						2	
13		SL6041642TN		SCREW						6	
14		G5309172000		SHAFT HOLDING BOX SUPPORT						2	
15		SL6041092TN		SCREW						6	
16		G5310172000		SLIDE SHAFT HOLDING BOX						2	
17		SL6051492TN		BOLT						4	
18		SB710000200		SLIDE BEARING						4	
19		G5311172000		SLIDE SHAFT						2	
20		SM8050602TP		SCREW M5 L=6						4	
21		G5312172000		SLIDE SHAFT SUPPORT						4	
22		SL6051092TN		BOLT						8	
23		G5313172000		SLIDE SHAFT RUBBER						4	
24	R	G5352171000	G5352171000A	MEMORY RIGHT						2	1.00
25		G5176136000		HOSE BAND						1	
26		40093180		SET PLATE						1	
27		SL6040642TN		BOLT						10	
28		40093297		GAUGE						2	
29		G6010003000		KNOB SCREW						2	
30		G5810172000		GAUGE NUT						2	
31		G5335172000		SET PLATE SUPPORT						1	
32		SL6041092TN		SCREW						4	
33		G5336172000		SET PLATE SUPPORT ARM						1	
34		SL6051292TN		BOLT						2	
35		G5337172000		SET PLATE FULCRUM ARM						1	
36		WP0430800SC		WASHER M4						1	
37		G5216172000		ROCKING FULCRUM SHAFT						1	
38		RE0700000K0		E-RING 7						1	
39		WP0621016SH		WASHER						1	
40		PA1001016A0		AIR CYLINDER (DIA10-10ST)					☆	1	
41		PC010508000		SPEED CONTROLLER						1	
42		16556300		ROD END						1	
43		SL6041642TN		SCREW						1	
44		G5338172000		SET PLATE CYLINDER SHAFT						1	
45		RE0300000K0		E-RING 3						1	
46		PJ304040504		ELBOW UNION						1	

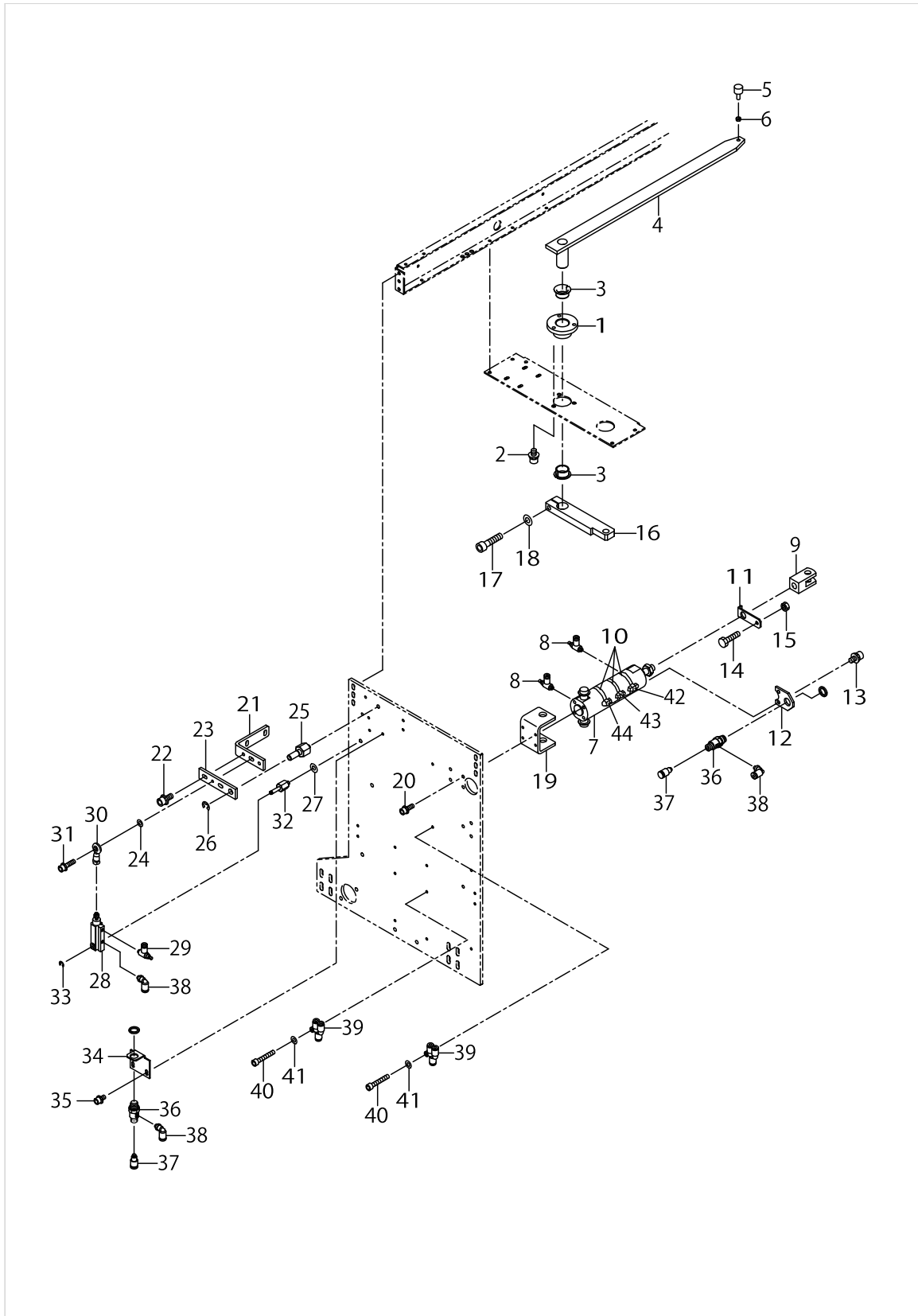
PRESET COMPONENTS (1)



PRESET COMPONENTS (1)

No.	Supply Code	Parts No.	Replacement	Parts name	Remarks	Choice	Step	Level	Cons	Qty	Rep. QTY
47		G5343172000		VACUUM HOSE A						1	
48		G53461720A0		HOSE HOLDER ASM.						1	
49		SL4041091SC		SCREW M4 L=10						2	

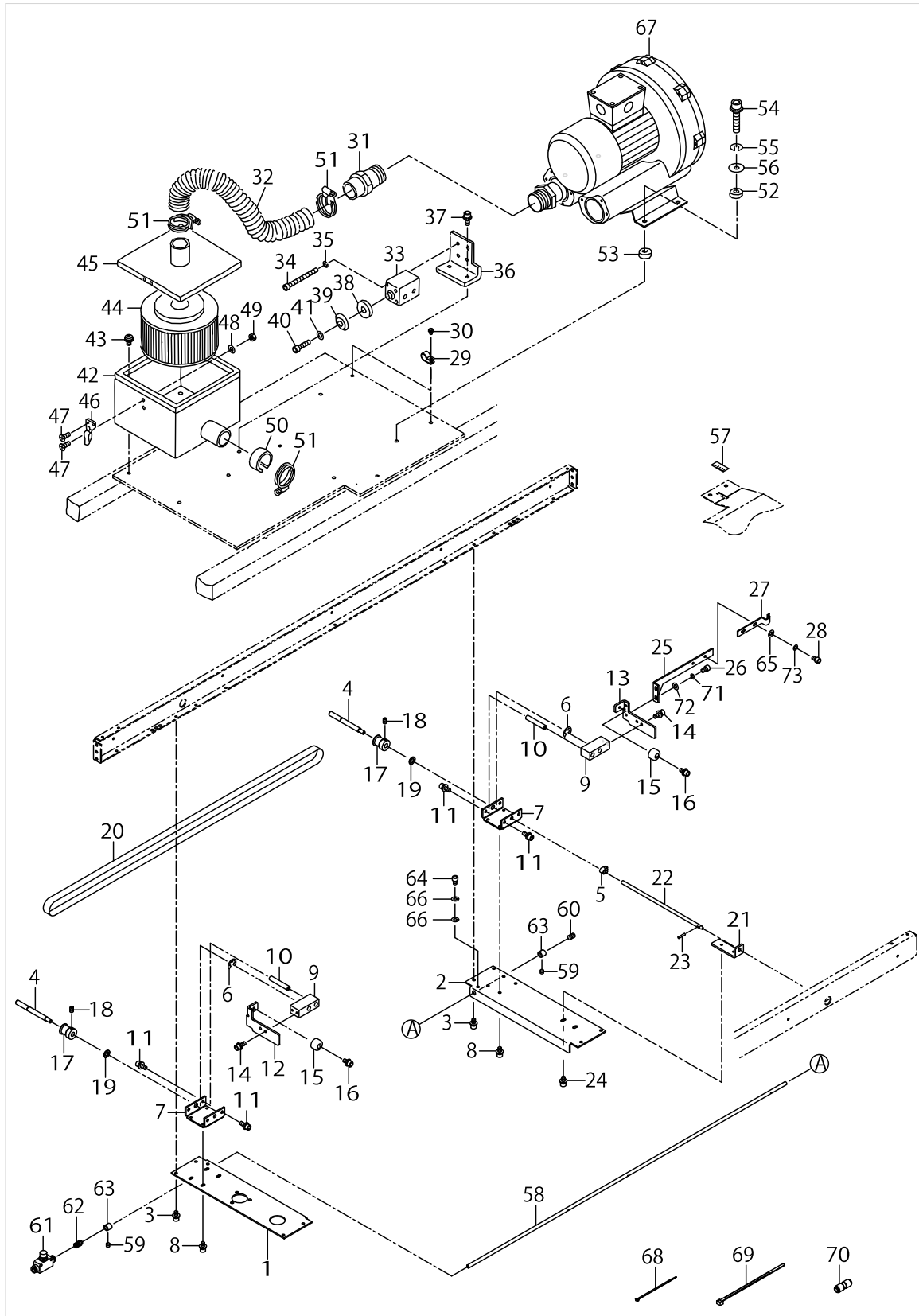
PRESET COMPONENTS (2)



PRESET COMPONENTS (2)

No.	Supply Code	Parts No.	Replacement	Parts name	Remarks	Choice	Step	Level	Cons	Qty	Rep. QTY
1		G5314172000		PRESET SHAFT HOLDING BOX						1	
2		SL6051092TN		BOLT						3	
3		G5315172000		PRESET SHAFT HOLDER						2	
4		40096949		PRESET ARM ASM.						1	
5		13741806		CHANGE-OVER ROLLER						1	
6		11041100		ROLLER						1	
7		PA320500200		AIR CYLINDER (DIA32-50ST)					☆	1	
8		PC015108000		SPEED CONTROLLER						2	
9		PA900042000		KNUCKLE JOINT						1	
10		PX906004000		SWITCH CLAMP (DIA32)						3	
11		G5341172000		RETURN VALVE DOG						1	
12		G5342172000		RETURN VALVE FITTING PLATE						1	
13		SL6051092TN		BOLT						2	
14		SM9052003SC		SCREW M5 L=20						1	
15		NM6050003SC		NUT M5X0.8						1	
16		G5317172000		PRESET CYLINDER ARM						1	
17		SM6062502TP		SCREW M6 L=25						1	
18		WP0641601SC		WASHER						1	
19		G5318172000		PRESET CYLINDER BASE						1	
20		SL6041292TN		SCREW						4	
21		G5336172000		SET PLATE SUPPORT ARM						1	
22		SL6051292TN		BOLT						2	
23		G5337172000		SET PLATE FULCRUM ARM						1	
24		WP0430800SC		WASHER M4						1	
25		G5216172000		ROCKING FULCRUM SHAFT						1	
26		RE0700000K0		E-RING 7						1	
27		WP0621016SH		WASHER						1	
28		PA1001016A0		AIR CYLINDER (DIA10-10ST)					☆	1	
29		PC010508000		SPEED CONTROLLER						1	
30		16556300		ROD END						1	
31		SL6041642TN		SCREW						1	
32		G5338172000		SET PLATE CYLINDER SHAFT						1	
33		RE0300000K0		E-RING 3						1	
34		GMC16007000		START VALVE FITTING PLATE						1	
35		SL6040892TN		BOLT						2	
36		PV010503000		VALVE						2	
37		PJ301040502		HALF UNION 4XM5						4	
38		PJ304040504		ELBOW UNION						3	
39		PJ308040002		QUICK COUPLING						3	
40		SM6042502TP		SCREW M4X0.7 L=25						2	
41		WP0430801SC		WASHER 4.3X9X0.8						2	
42		40016846		PRESET CYL FWD SW ASSY					☆	1	
43		40016847		PRESET CYL MID SW ASSY					☆	1	
44		40016848		PRESET CYL BKWD SW ASSY					☆	1	

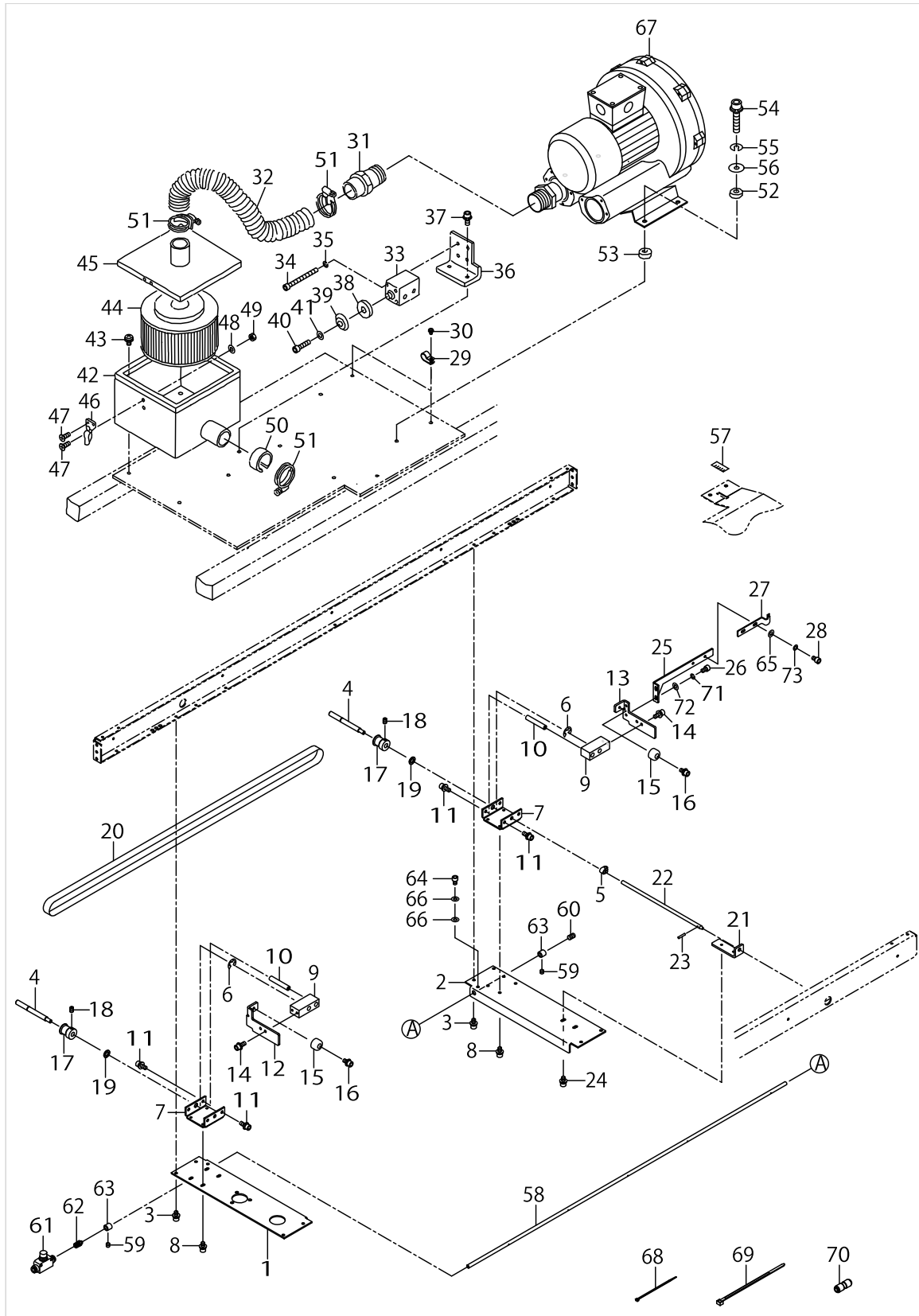
PRESET COMPONENTS (3)



PRESET COMPONENTS (3)

No.	Supply Code	Parts No.	Replacement	Parts name	Remarks	Choice	Step	Level	Cons	Qty	Rep. QTY
1		G5319172000		HOLDING BASE LEFT						1	
2		G5320172000		HOLDING BASE RIGHT						1	
3		SL6040892TN		BOLT						8	
4		G5322172000		PRESET ADJUSTING SHAFT						2	
5		B25198500A0		LOOPER CONNECTING ROD TRUST ASM.						1	
6		RE0600000K0		E-RING 6						2	
7		G5321172000A		PRESET ADJUSTING SHAFT HOLDER						2	
8		SL6040892TN		BOLT						8	
9		G5323172000		PRESET ADJUSTING NUT						2	
10		G5324172000A		PRESET ADJUSTING NUT GUIDE						2	
11		SL6041092TN		SCREW						4	
12		G5325172000		PRESET STOPPER LEFT						1	
13		G5326172000		PRESET STOPPER RIGHT						1	
14		SL6041092TN		SCREW						4	
15		G5009172000		STOPPER RUBBER						2	
16		SL6040842TN		SCREW M4 L=8						2	
17		G5327172000		PRESET ADJUSTING PULLEY						2	
18		SM8040602TP		SCREW M4X0.7 L=6						4	
19		G5328172000		PULLEY SPACER						2	
20	D	G5329172000		PRESET ADJUSTING BELT						1	
21		G5330172000		EXTENSION SHAFT SUPPORT						1	
22		G5331172000		ADJUSTING EXTENSION SHAFT						1	
23		PS0300162KH		SPRING PIN 3X16						1	
24		SL6040892TN		BOLT						2	
25		G5332172000		PRESET CHARACTERISTIC SUPPORT						1	
26		SM6040602TN		BOLT						2	
27		G5333172000		PRESET CHARACTERISTIC						1	
28		SM6040602TN		BOLT						2	
29		HX00150000E		CORD PRESSER 3--POLE (220/240V)						2	
30		SL4040881SC		SCREW M4 L=8						2	
31		G5345172000		BLOWER JOINT						1	
32		G5344172000		VACUUM HOSE B						1	
33		PA160100500		AIR CYLINDER						1	
34		SM6033052TP		SCREW						4	
35		WS0310002KN		SPRING WASHER M3						4	
36		40036409		VACUUM_CHANGE_CYLINDER_BRACKET						1	
37		SL6041092TN		SCREW						2	
38		40040251		CYLINDER_BOSS						1	
39		40111562		STOPPER_RUBBER						1	
40		SM6043552TN		SCREW M4 L=35						1	
41		WP0451016SP		WASHER 4.5X20X1						1	
42		40093408		ASSY_FILTER_BOX						1	
43		SL4040891SC		SCREW M4 L=8						4	
44		GMC10004000		FILTER ELEMENT					☆	1	

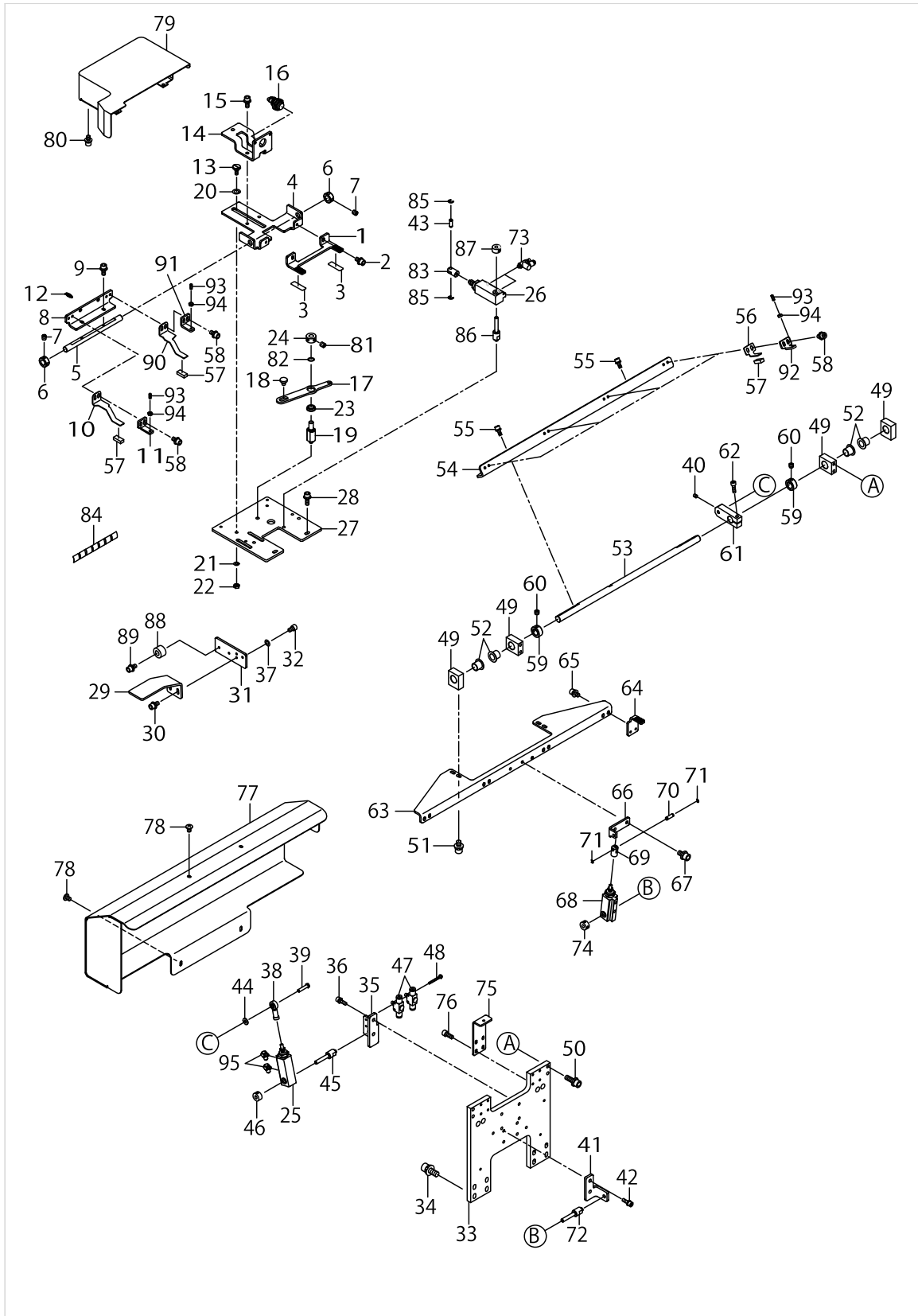
PRESET COMPONENTS (3)



PRESET COMPONENTS (3)

No.	Supply Code	Parts No.	Replacement	Parts name	Remarks	Choice	Step	Level	Cons	Qty	Rep. QTY
45		GMC100050A0		TOP COVER ASM.						1	
46		GMC10007000		METAL FITTINGS						2	
47		SM1030801SC		SCREW M3 L=8						8	
48		WP0320501SC		WASHER M3						4	
49		NM6030001SC		NUT M3						4	
50		G5171136000		VACUUM CONTROL PLATE						1	
51		G5176136000		HOSE BAND						3	
52		B4420373000		CUSHION						4	
53		B1123205000		RUBBER PAD						4	
54		SM6063002TN		SCREW M6 L=30						4	
55		WS0610002KN		SPRING WASHER 6.1X12.2X1.5						4	
56		WP0651646SC		WASHER						4	
57		G5309164000		SCALE						1	
58		G5136172000		BLOW PIPE						1	
59		SM8040402TP		SCREW M4X0.7 L=4						2	
60		SM8050812TP		SCREW M5X8						1	
61		PC012601000		SPEED CONTROLLER						1	
62		PJ032059008		NIPPLE						1	
63		G5137172000		BLOW PIPE HOLDER						2	
64		SM6040602TN		BOLT						2	
65		WP0430801SC		WASHER M4						2	
66		WP0430801SC		WASHER 4.3X9X0.8						4	
67		KM000000510		BLOWER MOTOR						1	
68		EA9500B0100		CABLE BAND						3	
69		HX00065000B		CABLE BAND						1	
70		PJ303060001		STRAIGHT UNION						1	
71		WS0410002KN		SPRING WASHER M4						2	
72		WP0430801SC		WASHER M4						2	
73		WS0410002KN		SPRING WASHER M4						2	

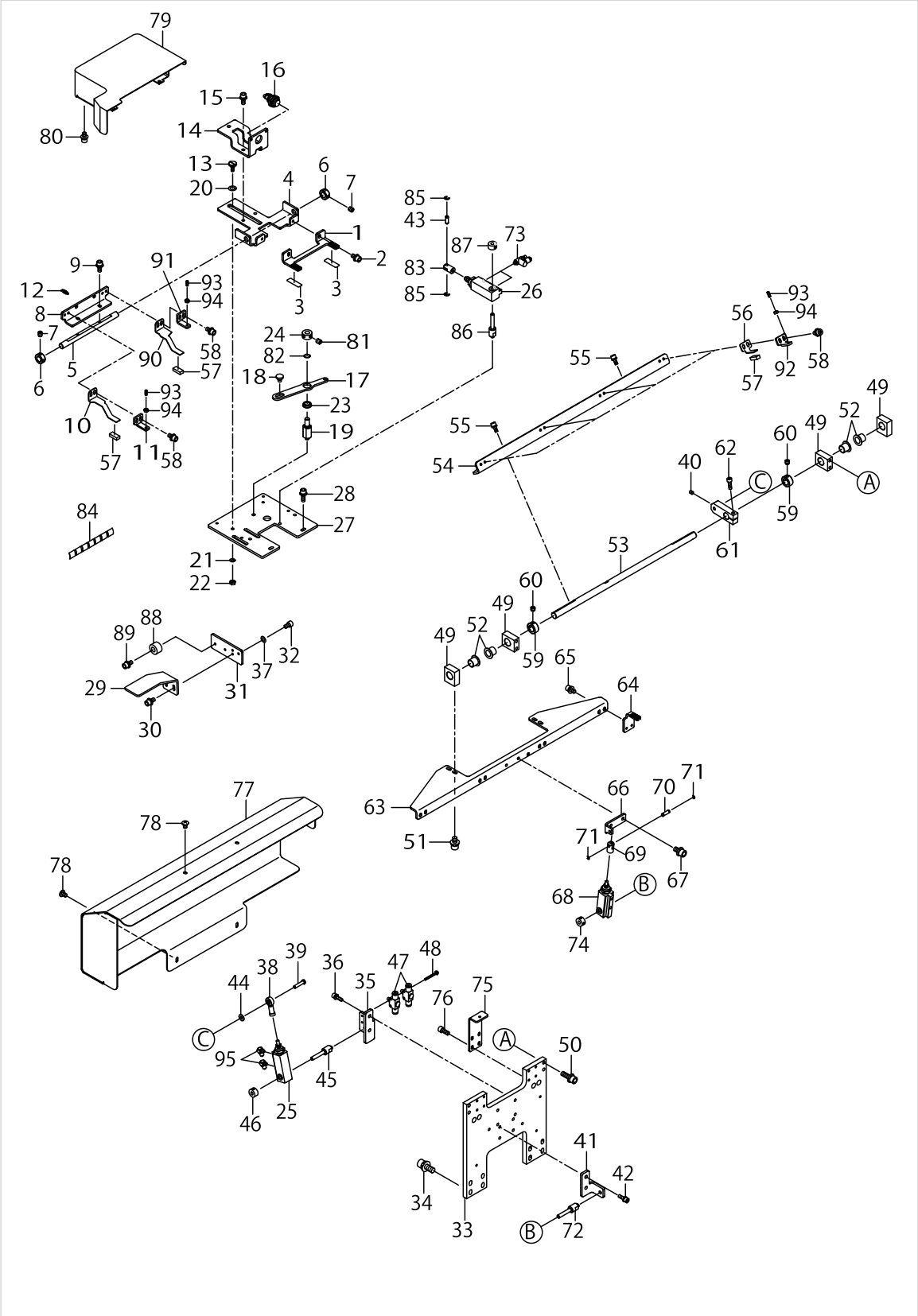
PRESET COMPONENTS (4)



PRESET COMPONENTS (4)

No.	Supply Code	Parts No.	Replacement	Parts name	Remarks	Choice	Step	Level	Cons	Qty	Rep. QTY
1		40093185		SUB CLAMP BASE					☆	1	
2		SL6040892TN		BOLT						2	
3		40093217		SUB BASE LINER					☆	2	
4		40099938		SLIDER_GUIDE						1	
5		40099939		SUB_CLAMP_SHAFT						1	
6		CS1000881TP		THRUST COLLAR						2	
7		SM8050602TP		SCREW M5 L=6						4	
8		40099941		SUB_CYLINDER_PRESSER_PLATE						1	
9		SL6041092TN		SCREW						2	
10		40107494		SUB_CLAMP_A_LEFT					☆	1	
11		40107497		CLAMP_PRESSURE_BASE_A_LEFT						1	
12		40029012		SPRING						2	
13		SD0800426TP		SHOULDER SCREW						2	
14		40107499		LINK_BASE						1	
15		SL6051092TN		BOLT						2	
16		PA1500505A0		AIR CYLINDER						1	
17		40093194		LINK B						1	
18		SD0800408TP		SHOULDER SCREW						1	
19		40093191		LINK SHAFT A						1	
20		B1906581000		THRUST WASHER						2	
21		WP0531000SD		WASHER M5						2	
22		NM6050001SP		NUT M5						2	
23		SB108000700		BEARING						1	
24		CS0800971TP		THRUST COLLAR D=8 W=9						1	
25		PA1601531A0		AIR_CYLINDER						1	
26		PA1602006A0		AIR CYLINDER						1	
27		40093192		SUB BASE						1	
28		SL6041292TN		SCREW						2	
29		40093208		SUB_TABLE_PLATE_B						1	
30		SL6040892TN		BOLT						2	
31		40093209		SPACER						1	
32		SM6040602TN		BOLT						2	
33		40093207		CLAMP BASE						1	
34		SL6062092TN		SCREW M6 L=20						8	
35		40118565		CYLINDER_FITTING_PLATE_A						1	
36		SM6051202TN		SCREW M5X0.8 L=12						2	
37		WP0430800SC		WASHER M4						2	
38		B1632180000		FEED ADJUSTING JOINT						1	
39		40118568		ADJUSTING_JOINT_PIN						1	
40		SM8050612TP		SCREW M5X6						1	
41		40118566		CYLINDER_FITTING_PLATE_B						1	
42		SM6051202TN		SCREW M5X0.8 L=12						2	
43		40023635		CYLINDER PIN						1	
44		B2107816000		WASHER						1	
45		40097759		CYLINDER_SHAFT						1	
46		G6014880000		LINK THRUST HOLDER						1	

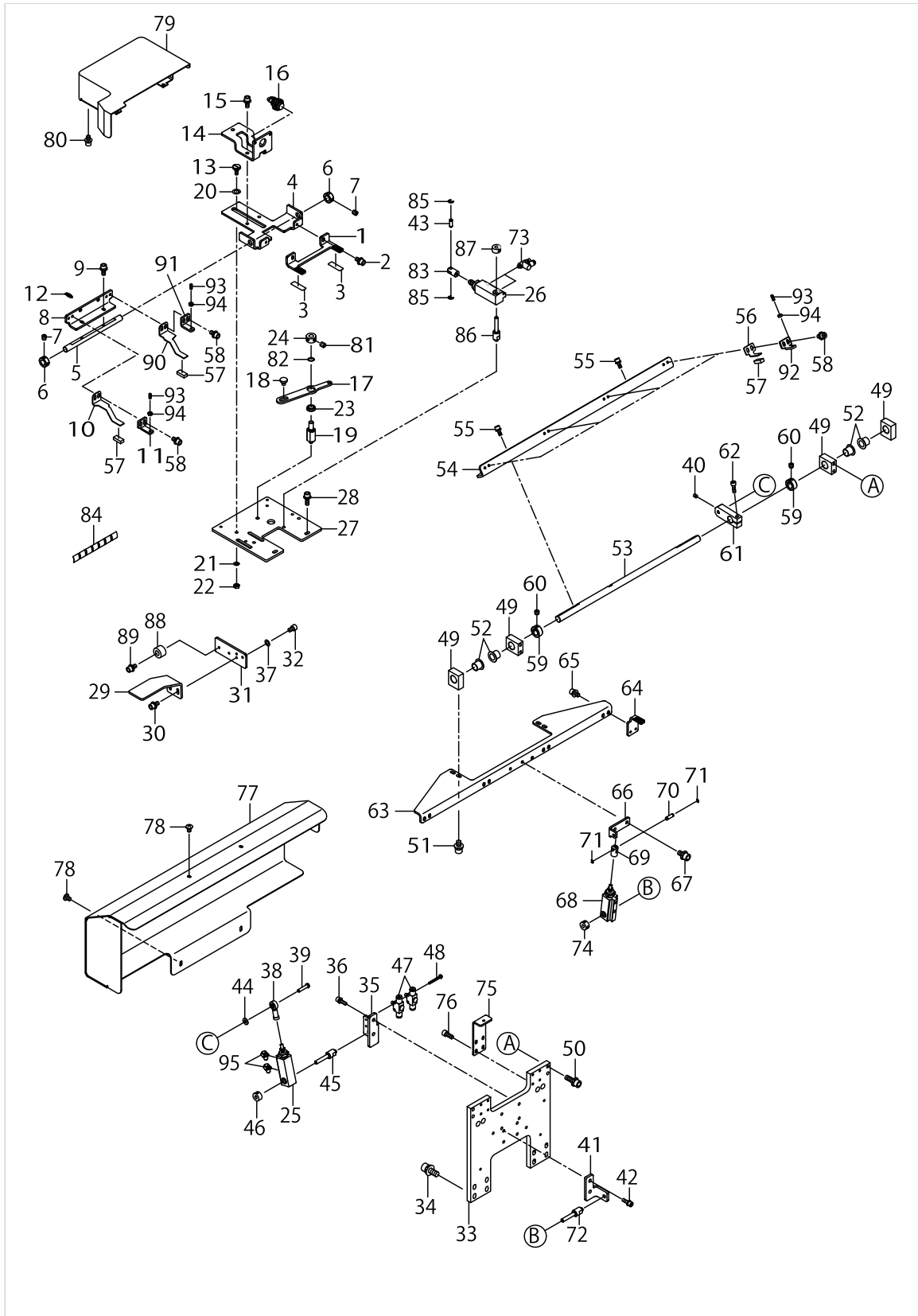
PRESET COMPONENTS (4)



PRESET COMPONENTS (4)

No.	Supply Code	Parts No.	Replacement	Parts name	Remarks	Choice	Step	Level	Cons	Qty	Rep. QTY
47		PC012401000		SPEED CONTROLLER						2	
48		SL4033091SC		SCREW M3 L=30						2	
49		40093198		LOWER CLAMP SHAFT SUPPORT						4	
50		SL6051692TN		BOLT						4	
51		SL6051092TN		BOLT						4	
52		40093211		BUSHING						4	
53		40093195		SHAFT						1	
54		40093204		UPPER CLAMP						1	
55		SL6051292TN		BOLT						4	
56		40107495		SUB_CLAMP_B						4	
57		40093202		RUBBER CLAMP					☆	6	
58		SL6041092TN		SCREW						12	
59		CS1200981TP		THRUST COLLAR D=12 W=9						2	
60		SM8050592TP		SCREW						4	
61		40118567		ROCKING_ARM						1	
62		SM6052002TN		BOLT						1	
63		40093205		LOWER_CLAMP_SUPPORT						1	
64		40093199		CLAMP B						4	
65		SL6040892TN		BOLT						8	
66		40118569		LIFTING_PLATE						1	
67		SL6051092TN		BOLT						2	
68		PA1601017A0		AIR CYLINDER						1	
69		40023644		CYLINDER KNUCKLE						1	
70		40023635		CYLINDER PIN						1	
71		RE0300000K0		E-RING 3						2	
72		40097759		CYLINDER_SHAFT						1	
73		PC010519000		SPEED CONTROLLER						2	
74		G6014880000		LINK THRUST HOLDER						1	
75		40093420		CLAMP COVER SUPPORT						2	
76		SM6041002TN		BOLT						8	
77		40093447		CLAMP_COVER						1	
78		SM0040601SA		SCREW						4	
79		40093419		SUB CLAMP COVER						1	
80		SL6040692TN		BOLT						4	
81		SM8050502TP		SCREW M5 L=5						2	
82		WP0820516SP		WASHER 11.6X8.2X0.6						1	
83		40023644		CYLINDER KNUCKLE						1	
84		HX00314000B		SPIRAL TUBE						1.5	
85		RE0300000K0		E-RING 3						2	
86		40097759		CYLINDER SHAFT						1	
87		G6014880000		LINK THRUST HOLDER						1	
88		G5009172000		STOPPER RUBBER						1	
89		SL6040842TN		SCREW M4 L=8						1	
90		40107493		SUB_CLAMP_A_RIGHT					☆	1	
91		40107496		CLAMP_PRESSURE_BASE_A_RIGHT						1	
92		40107498		CLAMP_PRESSURE_BASE_B						4	

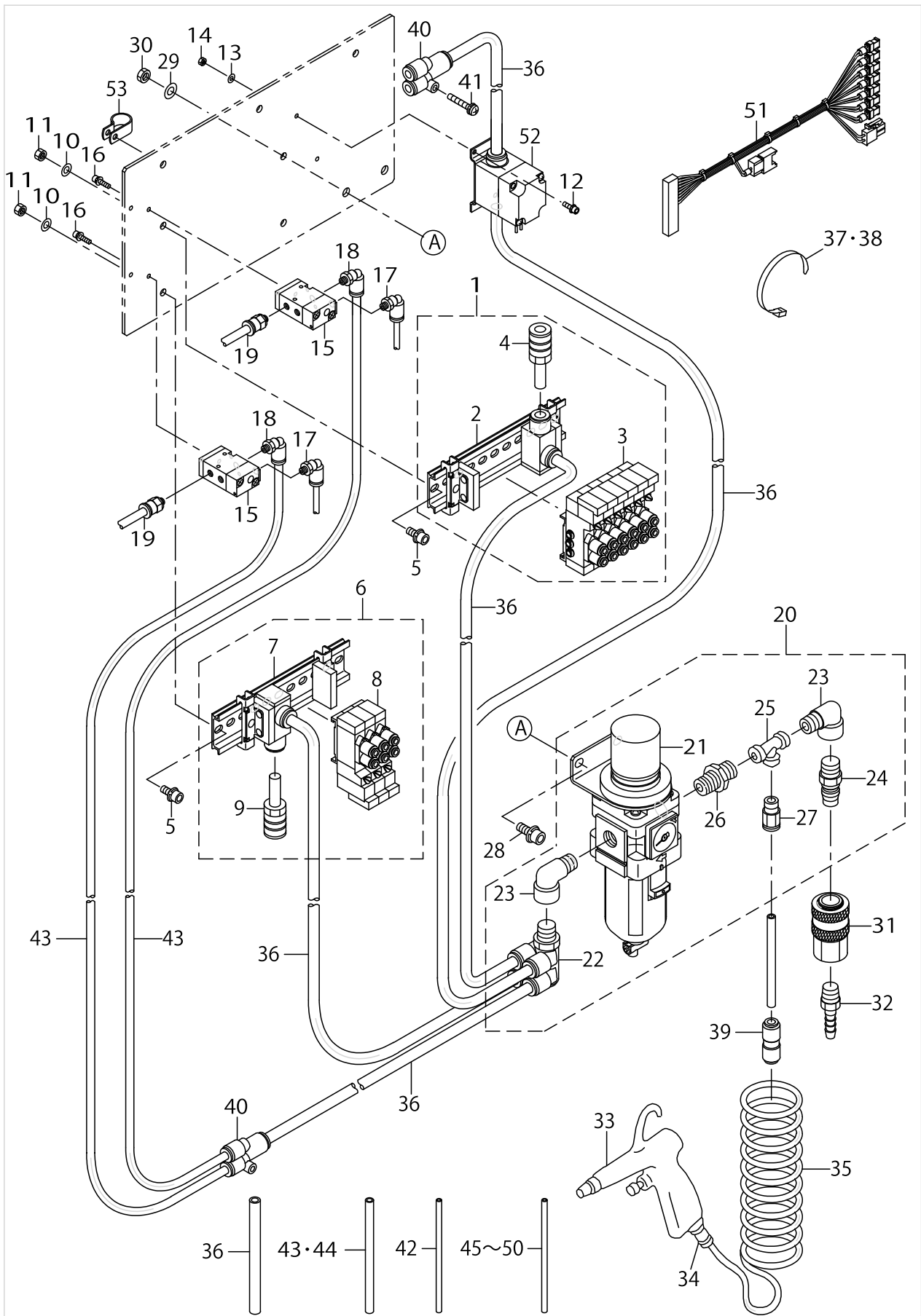
PRESET COMPONENTS (4)



PRESET COMPONENTS (4)

No.	Supply Code	Parts No.	Replacement	Parts name	Remarks	Choice	Step	Level	Cons	Qty	Rep. QTY
93		SM8041012TP		SCREW M4 L=10						6	
94		NM6040000SN		NUT M4						6	
95		PJ046052503		HOSE ELBOW						2	

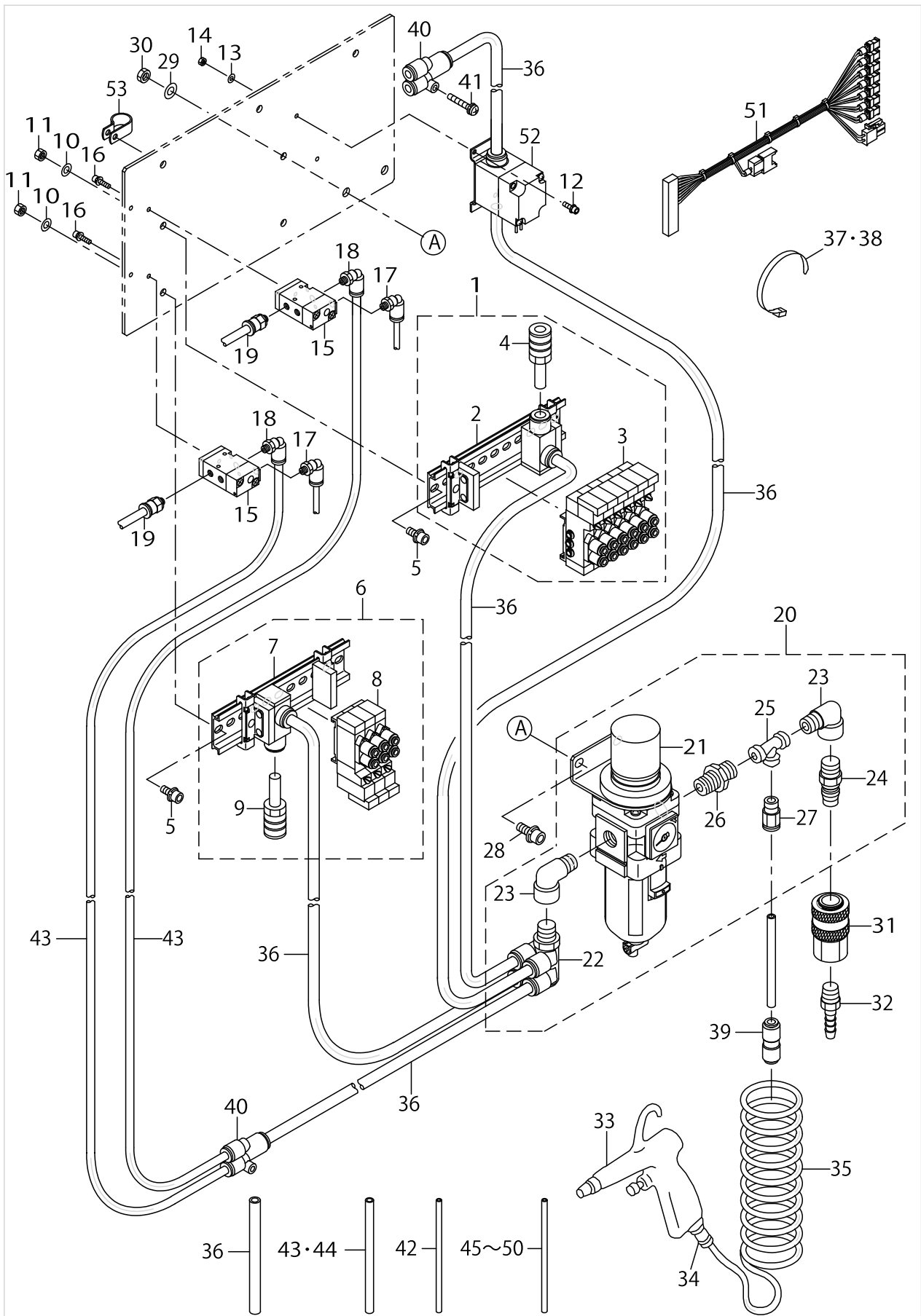
AIR COMPONENTS



AIR COMPONENTS

No.	Supply Code	Parts No.	Replacement	Parts name	Remarks	Choice	Step	Level	Cons	Qty	Rep. QTY
1		40093296		ELECTROMAGNETIC VALVE ASSY					☆	1	
2		PV915005000		SOLENOID VALVE I- NSTALLING BASE				*		1	
3		PV150209300		5 PORT ELECTROM- AGNETIC VALVE				*		4	
4		PX050003000		SILENCER				*		1	
5		SL6051292TN		BOLT						4	
6		40000916		MANIFOLD VALVE A ASM.					☆	1	
7		PV915005000		SOLENOID VALVE I- NSTALLING BASE				*		1	
8		PV150209300		5 PORT ELECTROM- AGNETIC VALVE				*		3	
9		PX050003000		SILENCER				*		1	
10		WP0531001SC		WASHER						4	
11		NM6050001SC		NUT M5						4	
12		SL6031092TN		SCREW						2	
13		WP0320501SC		WASHER M3						2	
14		NM6030001SC		NUT M3						2	
15		PV130536000		AIR OPERATE VALVE						2	
16		SL6031292TN		BOLT						4	
17		PJ304040504		ELBOW UNION						2	
18		PJ304060502		ELBOW UNION 6XM5						2	
19		PJ301060503		HALF UNION						2	
20		40014272		ASSY_REGULATOR						1	
21		PF0552160A0		FILTER REGULATOR				*	☆	1	
22		PJ309085202		DOUBLE BRANCH U- NIVERSAL ELBOW				*		1	
23	D	PJ042520001		ELBOW				*		2	
24		PJ025200004		PLUG				*		1	
25		PJ050525201		TEE				*		1	
26		PJ030520001		RING JOINT (NIPPLE)				*		1	
27		PJ301065201		HALF UNION 6XPT1/4				*		1	
28		SL6061692TN		BOLT						2	
29		WP0641601SC		WASHER						2	
30		NM6060003SC		NUT M6						2	
31		PJ309005204		SOCKET						1	
32		PJ032526001		HOSE NIPPLE						1	
33		40044823		AIR_GUN						1	
34		PJ301065201		HALF UNION 6XPT1/4						1	
35		G5458116000		CURLED TUBE						1	
36		BT0800501EB		VINYL TUBE						1	
37		HX00065000B		CABLE BAND						4	
38		HX002920000		BAND						4	
39		PJ303060001		STRAIGHT UNION						1	
40		PJ308080003		Y-UNION						1	
41		SL4042581SC		SCREW						1	
42		BT0400251EB		URETHANE HOSE BLACK						10.5	
43		BT0600401E0		TUBE						10	
44		BT0600401EB		TUBE						12.4	

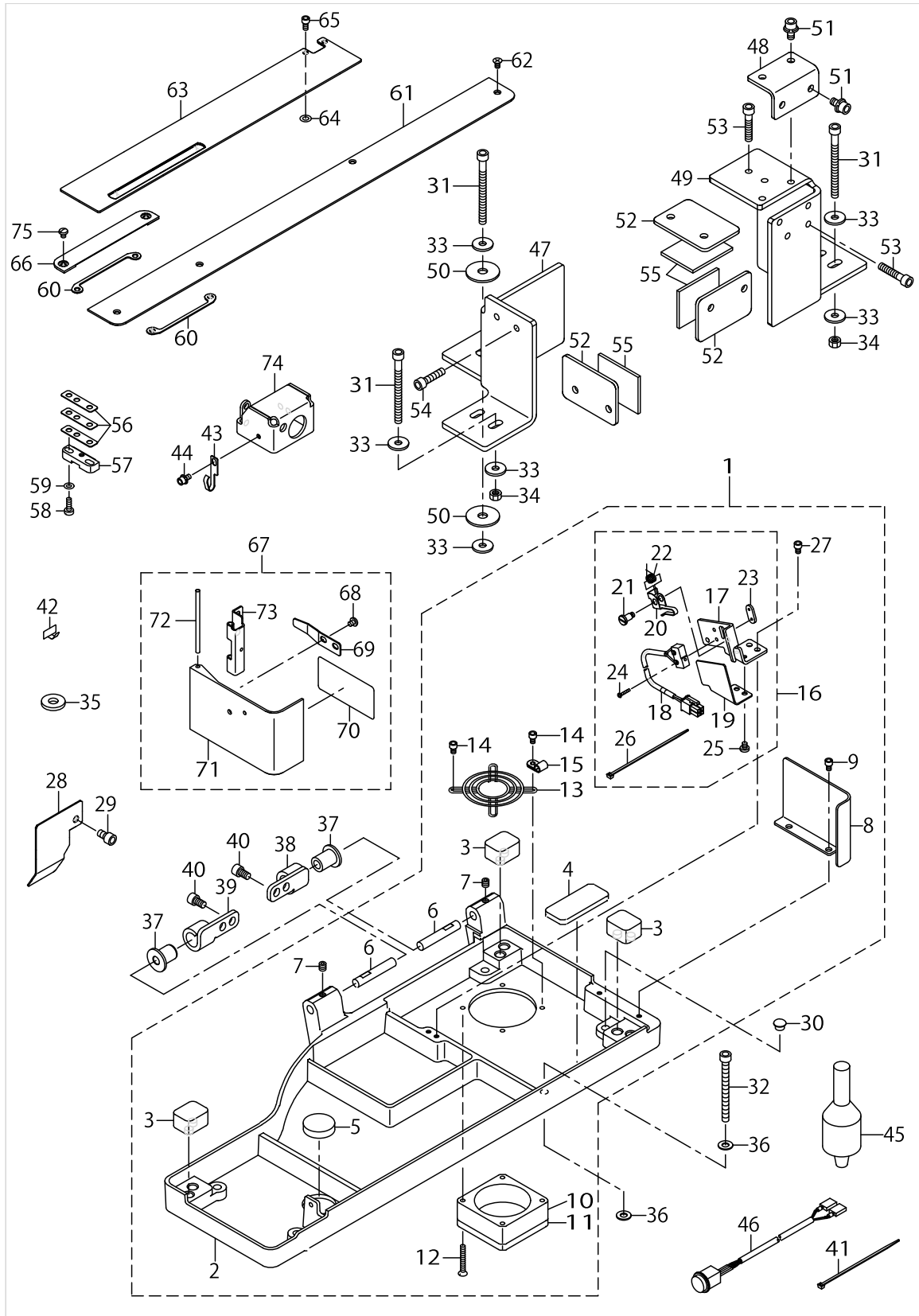
AIR COMPONENTS



AIR COMPONENTS

No.	Supply Code	Parts No.	Replacement	Parts name	Remarks	Choice	Step	Level	Cons	Qty	Rep. QTY
45		BT0400251E0		TUBE HOSE CLEAR						6	
46		BT0400251EH		TUBE HOSE YELLOWISH GREEN						6	
47		BT0400251EA		TUBE HOSE BLUE						6	
48		BT0400251ED		TUBE HOSE GREEN						6	
49		BT0400251EE		TUBE HOSE RED						6	
50		BT0400251EC		TUBE HOSE YELLOW						6	
51		40085610		AIR VALVE CORD ASSY					☆	1	
52		40016685		AIR BLOW VALVE ASSY					☆	1	
53		HX00150000F		CABLE CLIP						2	

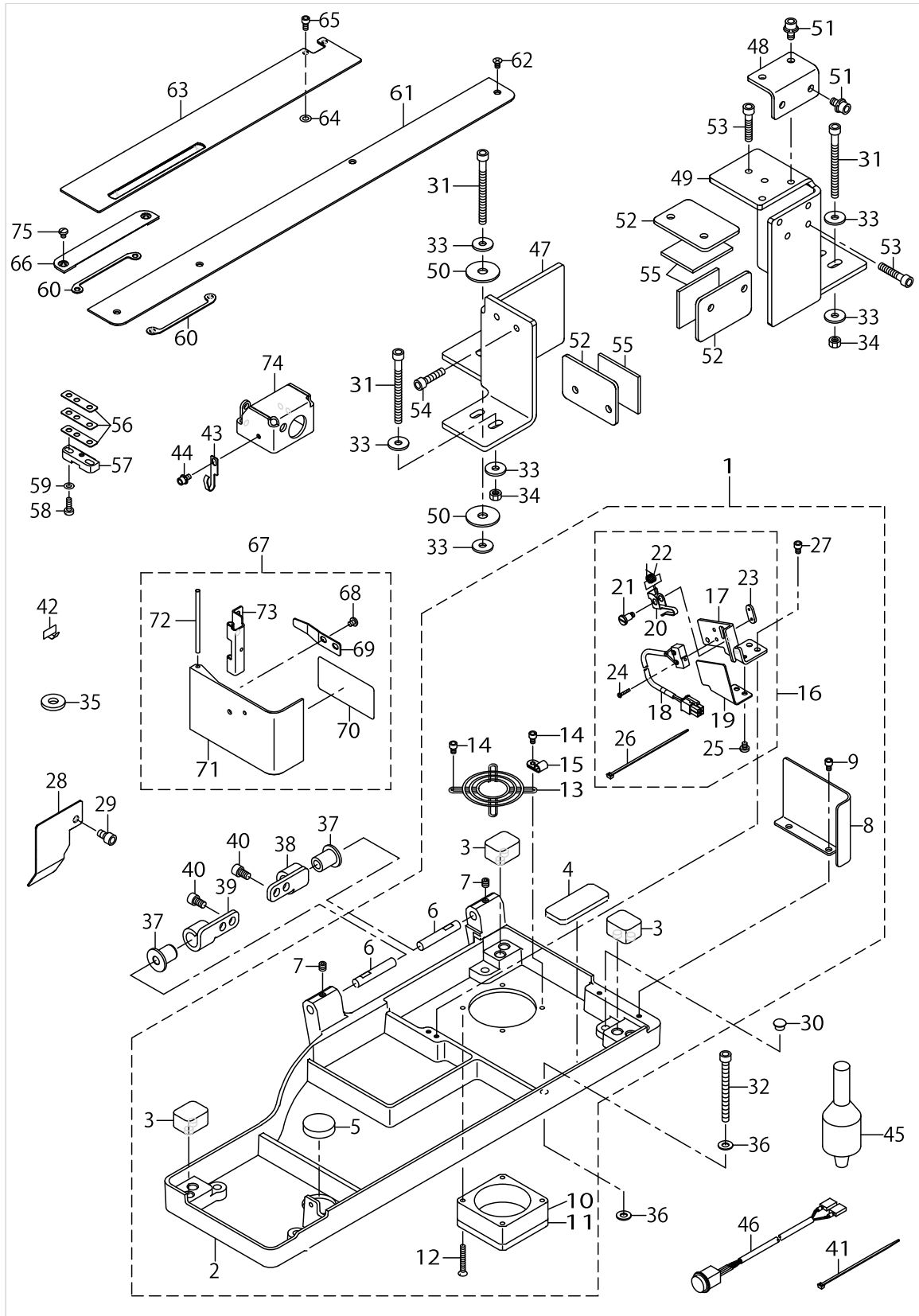
FRAME COMPONENTS



FRAME COMPONENTS

No.	Supply Code	Parts No.	Replacement	Parts name	Remarks	Choice	Step	Level	Cons	Qty	Rep. QTY
1		40015224		ASSY_BED_BASE_ACF						1	
2		40015141		BED_BASE_ACF				*		1	
3		40008977		RUBBER C				*		3	
4		40008978		RUBBER D				*		1	
5		E2002855000		Z STOPPER RUBBER				*		1	
6		13700604		HINGE PIN				*		2	
7		SM8060612TP		SCREW M6 L=6				*		2	
8		40004160		BED_REAR_COVER				*		1	
9		SM6040602TP		SCREW M4 L=6				*		2	
10		40005403		HEAD FAN MOTOR B ASS'Y				*		1	
11		HM000550010		FILTER				*		1	
12		SM1043001SP		SCREW M4X0.7 L=30				*		2	
13		HM0003800A0		FINGER GUARD				*		1	
14		SM6040602TP		SCREW M4 L=6				*		2	
15		HX00150000A		CABLE CLAMP				*		1	
16		40003495		SAFETY SWITCH ASS'Y				*		1	
17		14516603		SAFETY SW BASE				*		1	
18		40003496		SAFETY SWITCH CORD ASS'Y				*		1	
19		14516900		SAFETY SWITCH COVER				*		1	
20		23638109		SAFETY SWITCH ARM				*		1	
21		23638307		SAFETY SWITCH ARM SHAFT				*		1	
22	R	23638208	23638059	SAFETY SWITCH SPRING				*		1	1.00
23	R	23638406	23638059	SAFETY SWITCH NUT				*		1	1.00
24		SM4021201SC		SCREW M2 L=12				*		2	
25	R	SS7090520SP	SS7090520TP	SCREW 9/64-40 L=4.5				*		2	1.00
26		EA9500B0100		CABLE BAND				*		1	
27		SM6040602TP		SCREW M4 L=6				*		2	
28		40011013		HOOK_OIL_COVER						1	
29		SM6061002TP		SCREW M6 L=10						1	
30		TA0800504R0		PLUG D=8 L=4.5						1	
31		SM6067052TP		HEXAGON BOLT						11	
32		SM6066052TP		SCREW M6 L=60						1	
33		WP0612056SD		WASHER 6.1X18.5X2						20	
34		NM6060001SD		NUT M6						30	
35		D6056555B00		RUBBERCUSHION(B)						4	
36		WP0621016SH		WASHER						2	
37		40006314		HINGE_BUSH						2	
38		40095631		HINNGE PLATE A						1	
39		40095632		HINNGE PLATE B						1	
40		SM6061002TP		SCREW M6 L=10						4	
41		EA9500B0100		CABLE BAND						1	
42		HX005210000		STICKER						2	
43		26230409		LUBRICATING OIL WICK STOPPER						3	
44		SL6040892TN		BOLT						1	
45		14101208		HEAD SUPPORT BAR						1	
46		40017014		PRESET LEDSWASSY					☆	1	

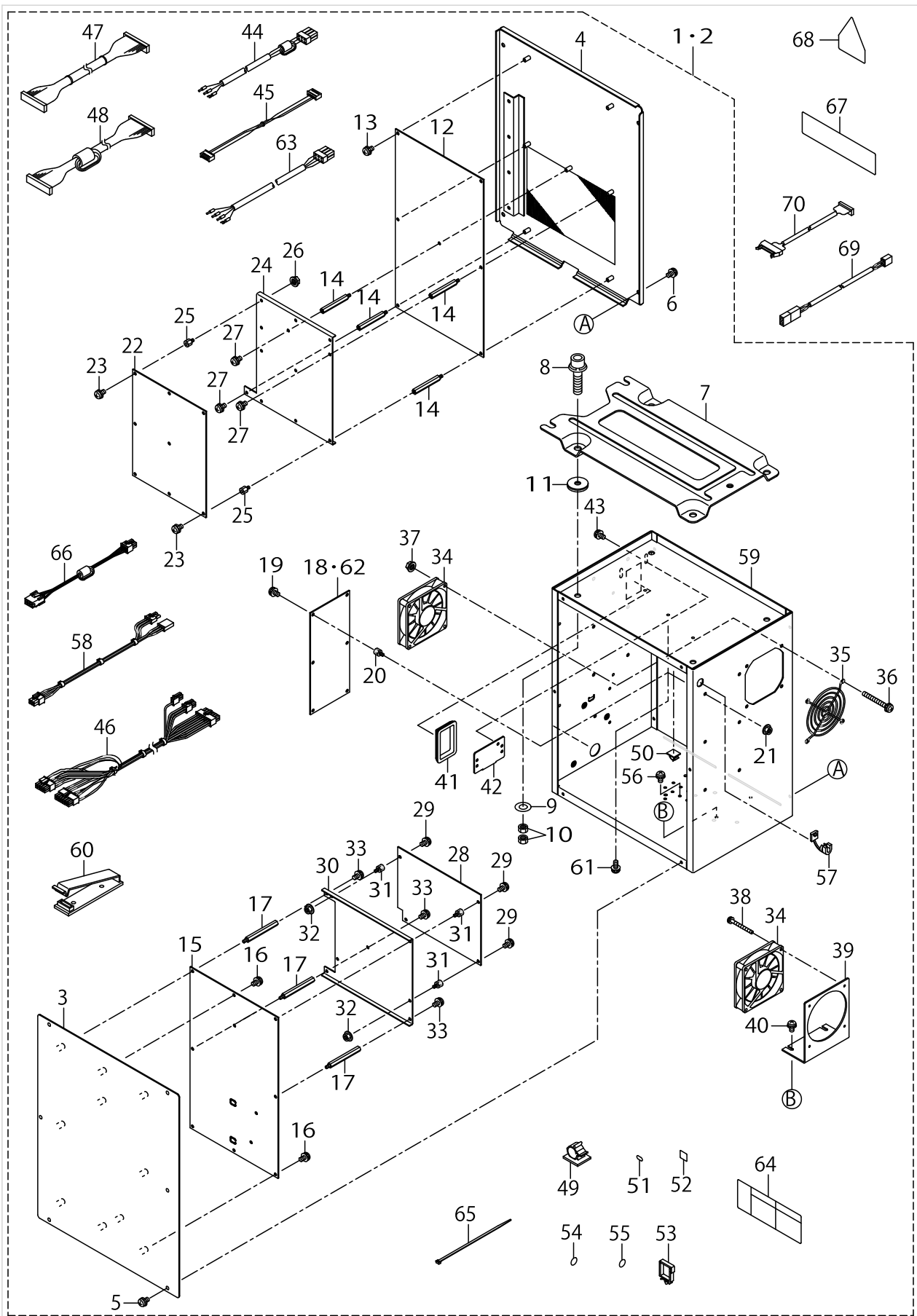
FRAME COMPONENTS



FRAME COMPONENTS

No.	Supply Code	Parts No.	Replacement	Parts name	Remarks	Choice	Step	Level	Cons	Qty	Rep. QTY
47		40095625		BACK GUARD						1	
48		40095629		FRONT GUARD SUPPORT						1	
49		40095630		FRONT GUARD						1	
50		WP0852086SC		WASHER M8						4	
51		SL6061292TN		SCREW						4	
52		40039255		SUPPORT PLATE						3	
53		SM6063002TP		SCREW M6 L=30						4	
54		SM6062502TP		SCREW M6 L=25						2	
55		40096912		AC RUBBER						5	
56		40004326		BTT SPACER						3	
57		40004325		POSITIONING_PLATE_BASE						1	
58		SM6041200SP		SCREW M4 L=12						2	
59		WP0430801SE		WASHER 4.3X9X0.8						2	
60		40011319		THROAT_PLATE_BASE_SPACER						2	
61		40097865		CARRIER GUIDE						1	
62		SM1040652TP		SCREW						4	
63		40011320		WORK_CLAMP_CARRIER_ACF						1	
64		WP0531000SF		WASHER M5						2	
65		SM6040802TP		SCREW M4X0.7 L=8						2	
66		40011318		THROAT_PLATE_BASE_COVER_ACF						1	
67		40093215		BOBBINCOVERASSY						1	
68		SS4110515SP		SCREW 11/64-40 L=5				*		1	
69		13704002		HINGE SPRING				*		1	
70		13706304		BOBBIN CASE INDICATION LABEL				*		1	
71		40093214		BOBBIN COVER				*		1	
72		13703905		HINGE PIN				*		1	
73		13703806		HOOK OIL SHIELD HINGE				*		1	
74		40011893		SWITCH_COVER						1	
75		SM5040550TP		SCREW M4 L=5						2	

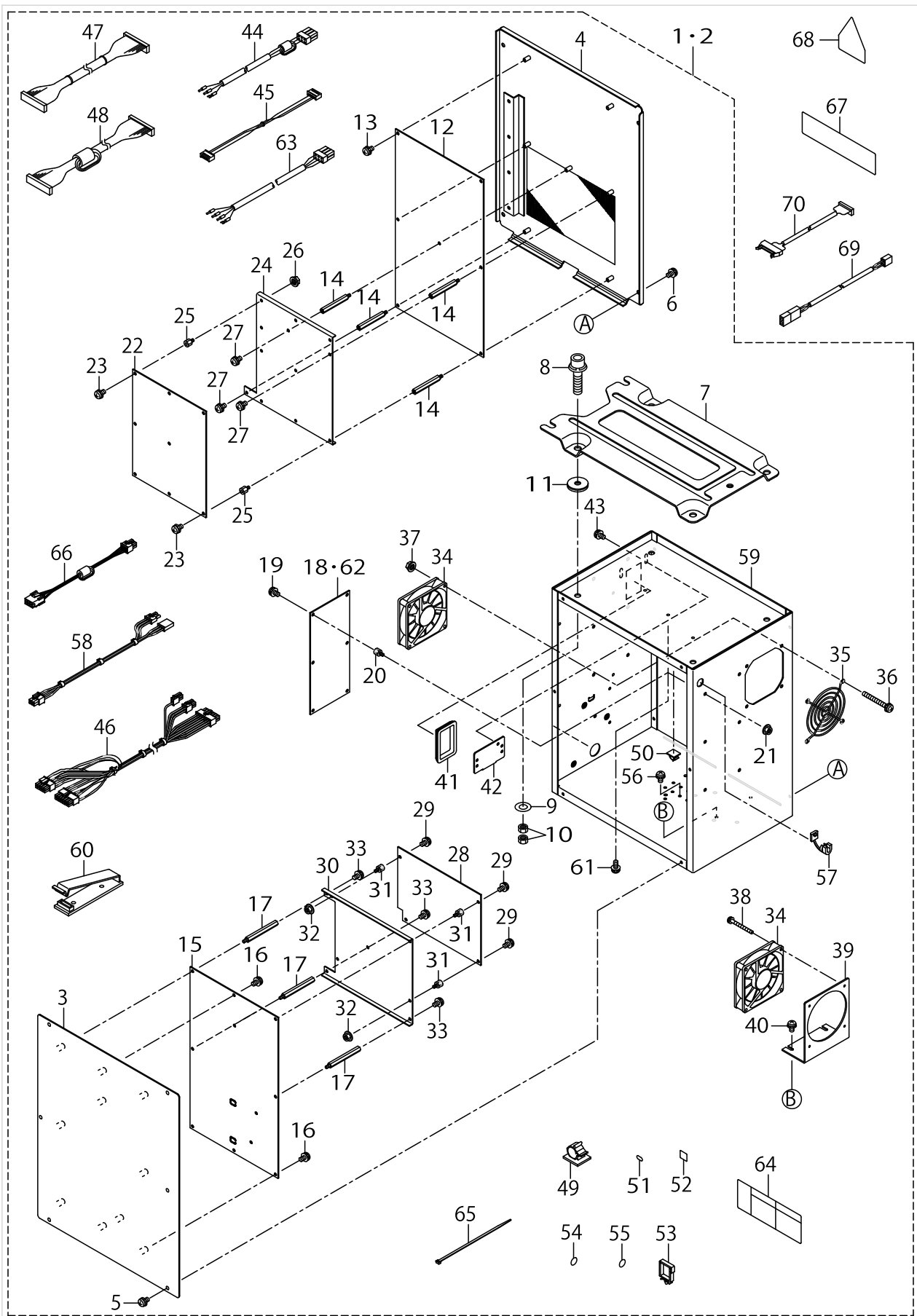
CONTROL BOX COMPONENTS



CONTROL BOX COMPONENTS

No.	Supply Code	Parts No.	Replacement	Parts name	Remarks	Choice	Step	Level	Cons	Qty	Rep. QTY
1		40085682		CONTROL BOX B ASSY	FOR 1-PHASE					1	
2		40085624		CONTROL BOX A ASSY	FOR 3-PHASE					1	
3		40094018		CONTROL BOX FRONT COVER				*		1	
4		40094019		CONTROL BOX REAR COVER				*		1	
5		SL4040891SC		SCREW M4 L=8				*		6	
6		SL4040891SC		SCREW M4 L=8				*		4	
7		M3801476000		CONTROL BOX FITTING PLATE				*		1	
8		SL6083092TN		SCREW				*		4	
9		WP0841601SC		WASHER 8.4X17.4X1.6				*		4	
10		NM6080001SC		NUT M8X1.25				*		8	
11		M4206461000		WASHER				*		4	
12		40085688		MAIN PCB C ASSY				*		1	
13		SL4040881SC		SCREW M4 L=8				*		3	
14		HX00339000K		SPACER				*		4	
15		40082758		SDC PCB A ASSY				*		1	
16		SL4040881SC		SCREW M4 L=8				*		5	
17		HX00339000L		SPACER				*		5	
18		40085630		FLT-S PCB B ASSY	FOR 1-PHASE			*		1	
19		SL4040881SC		SCREW M4 L=8				*		6	
20		KX000000380		SPACER				*		6	
21		NM3040520SC		NUT M4				*		6	
22		40015534		I/O PCB ASSY				*		1	
23		SL4040881SC		SCREW M4 L=8				*		8	
24		40085607		I/O PCB PLATE				*		1	
25		KX000000380		SPACER				*		8	
26		NM3040520SC		NUT M4				*		7	
27		SL4040881SC		SCREW M4 L=8				*		3	
28		40085596		PWR PCB ASSY				*		1	
29		SL4040881SC		SCREW M4 L=8				*		4	
30		40085608		PWR PCB PLATE				*		1	
31		KX000000380		SPACER				*		4	
32		NM3040520SC		NUT M4				*		3	
33		SL4040881SC		SCREW M4 L=8				*		4	
34		40005401		FAN MOTOR ASS'Y				*		2	
35		KM000000480		FAN MOTOR				*		1	
36		SL4043591SC		SCREW				*		4	
37		NM3040520SC		NUT M4				*		4	
38		SL4033091SC		SCREW M3 L=30				*		4	
39		40085609		FAN MOTOR BRACKET				*		1	
40		SL4040891SC		SCREW M4 L=8				*		2	
41		HX004070000		BUSH				*		1	
42		17845009		CORD FITTING PLATE				*		1	
43		SL4041091SC		SCREW M4 L=10				*		2	
44		40085679		POWER CORD 1P ASSY	FOR 1-PHASE			*		1	
45		40005394		FLT-SDC CORD S ASS'Y				*		1	
46		72000499		PWR CORD ASSY				*		1	

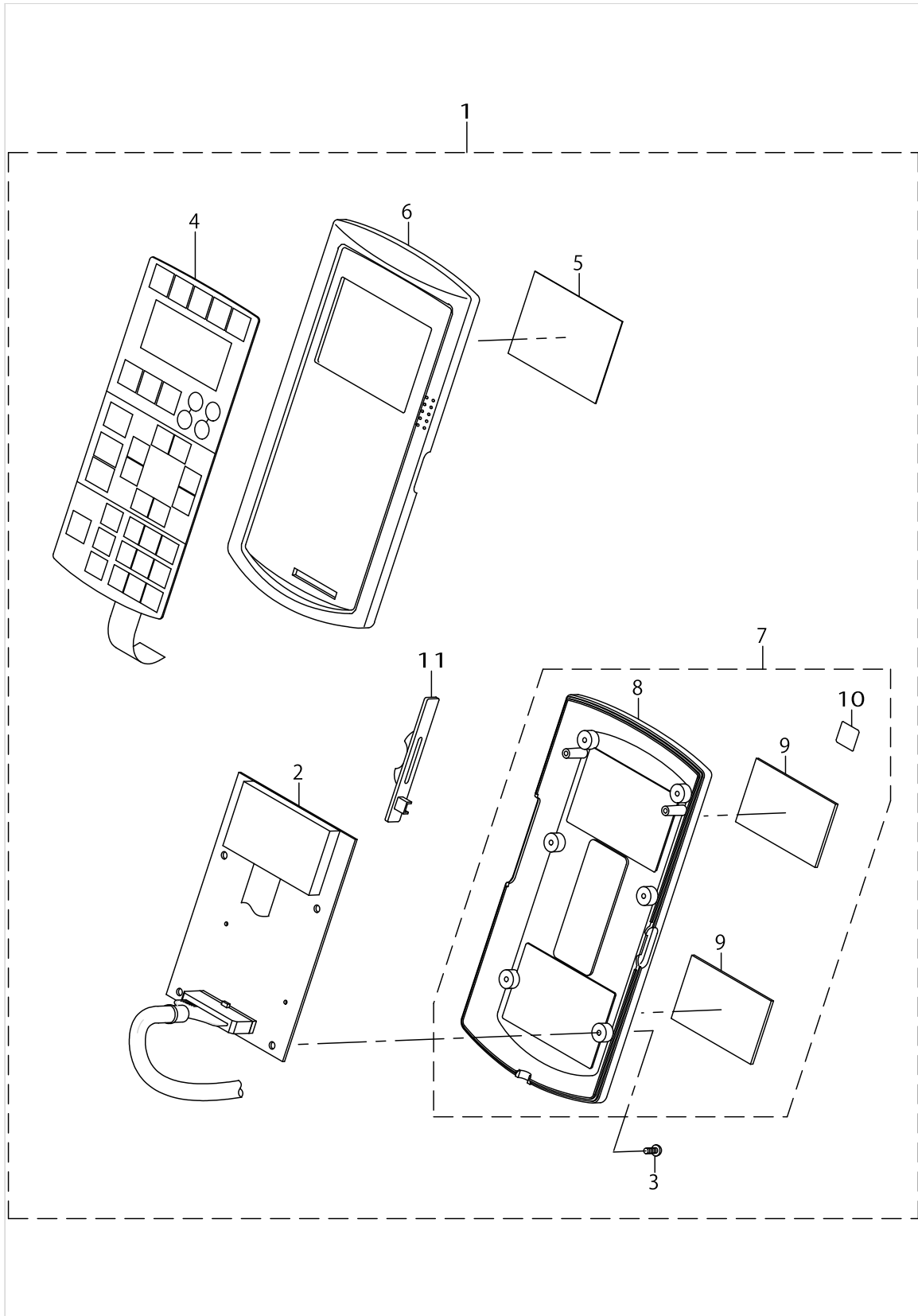
CONTROL BOX COMPONENTS



CONTROL BOX COMPONENTS

No.	Supply Code	Parts No.	Replacement	Parts name	Remarks	Choice	Step	Level	Cons	Qty	Rep. QTY
47		40005396		SDC-MAIN CORD S ASS'Y				*		1	
48		40085611		MAIN-I/OCORDASSY				*		1	
49		E9609603000		STICKER (LARGE)				*		4	
50		E9607603000		STICKER (SMALL)				*		1	
51		CM200100001		PE MARK LABEL				*		1	
52		CM600100101		WEEE MARK LABEL S				*		1	
53		HX005110000		WIRE SADDLE				*		3	
54		E9567319000		EARTH MARK				*		1	
55		40003458		MASK SEAL				*		16	
56		SL4040891SC		SCREW M4 L=8				*		1	
57		KX000000320		BUSH				*		2	
58		40085680		DC PWR CORD ASSY				*		1	
59		40055355		CONTROL BOX				*		1	
60		M964051000A		CABLE CLIP				*		2	
61		SL4041091SC		SCREW M4 L=10				*		1	
62		40051320		FLT-T PCB B ASSY	FOR 3-PHASE			*		1	
63		40085629		POWER CORD 3P ASSY	FOR 3-PHASE			*		1	
64		CM300100401		LABEL 3 (LARGE)	FOR 3-PHASE			*		1	
65		EA9500B0200		CABLE BAND 150				*		2	
66		40085633		CARRIER MOTOR CORD ASSY	FOR 1-PHASE			*		1	
67		CM300100301		DANGER LABEL(LARGE)	FOR 1-PHASE					1	
68		CM300400601		VOLTAGE CAUTION LABEL						1	
69		40017821		HEAD FAN JOINT CORD ASSY						1	
70		40017822		PANEL JOINT CORD ASSY						1	

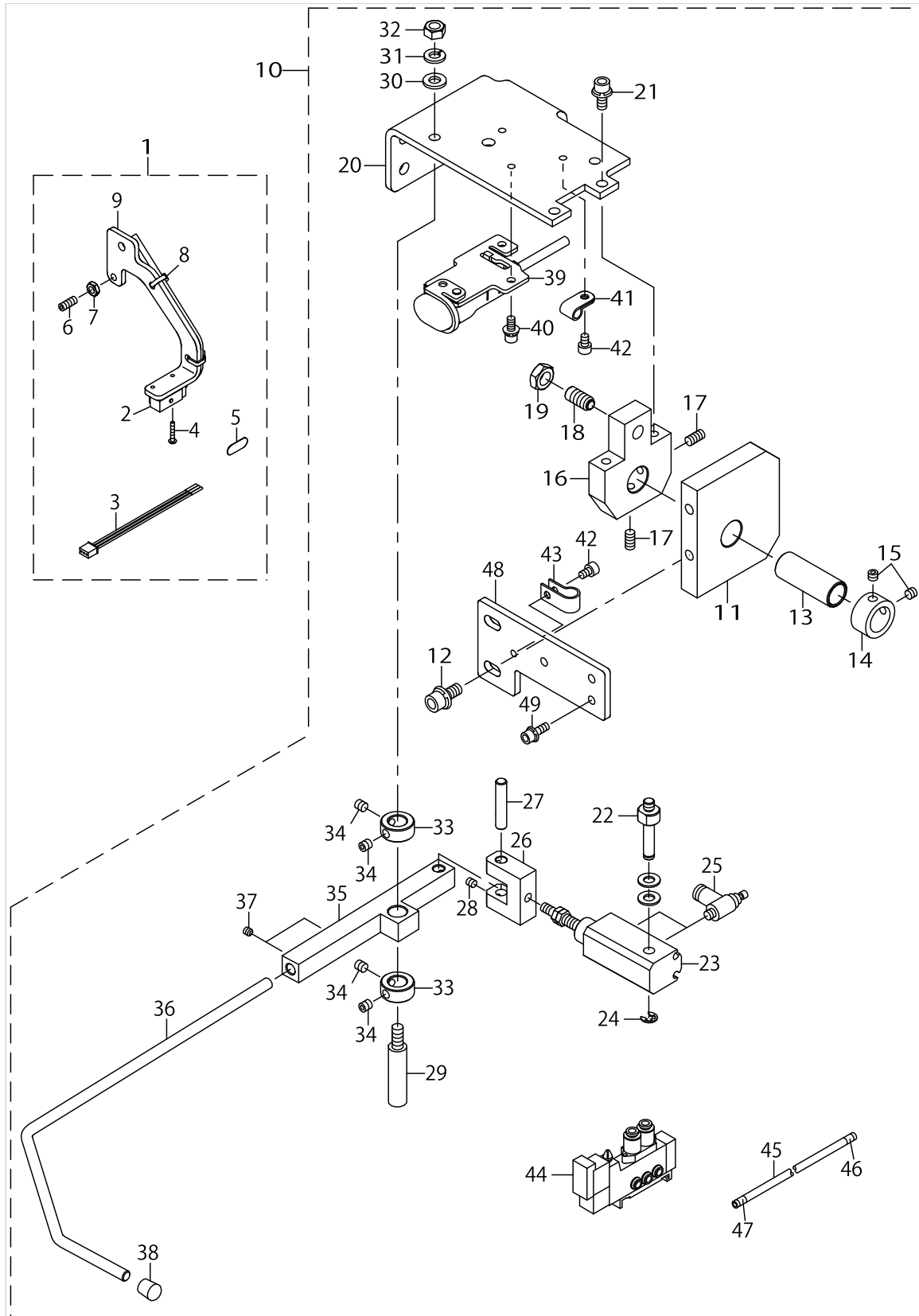
OPERATION PANEL COMPONENTS



OPERATION PANEL COMPONENTS

No.	Supply Code	Parts No.	Replacement	Parts name	Remarks	Choice	Step	Level	Cons	Qty	Rep. QTY
1		40085683		OPERATION PANEL ASSY					☆	1	
2		40085612		PANEL PCB AC ASSY				*		1	
3		ST4031051SN		TAPPING SCREW D=3-24 L=10				*		6	
4		40085690		OPERATION_PANEL_SHEET				*		1	
5		40003462		LCD SHEET				*		1	
6		40003464		OPERATION BOX UPPER CASE				*		1	
7		M10315800A0		OPERATION BOX L- OWER CASE ASM.				*		1	
8		M1031580000		OPERATION BOX LOWER CASE				*		1	
9		M1011580000		MAGNET SHEET				*		2	
10		CM600100101		WEEE MARK LABEL S				*		1	
11		M1032580000		VOLUME TONGUE				*		1	

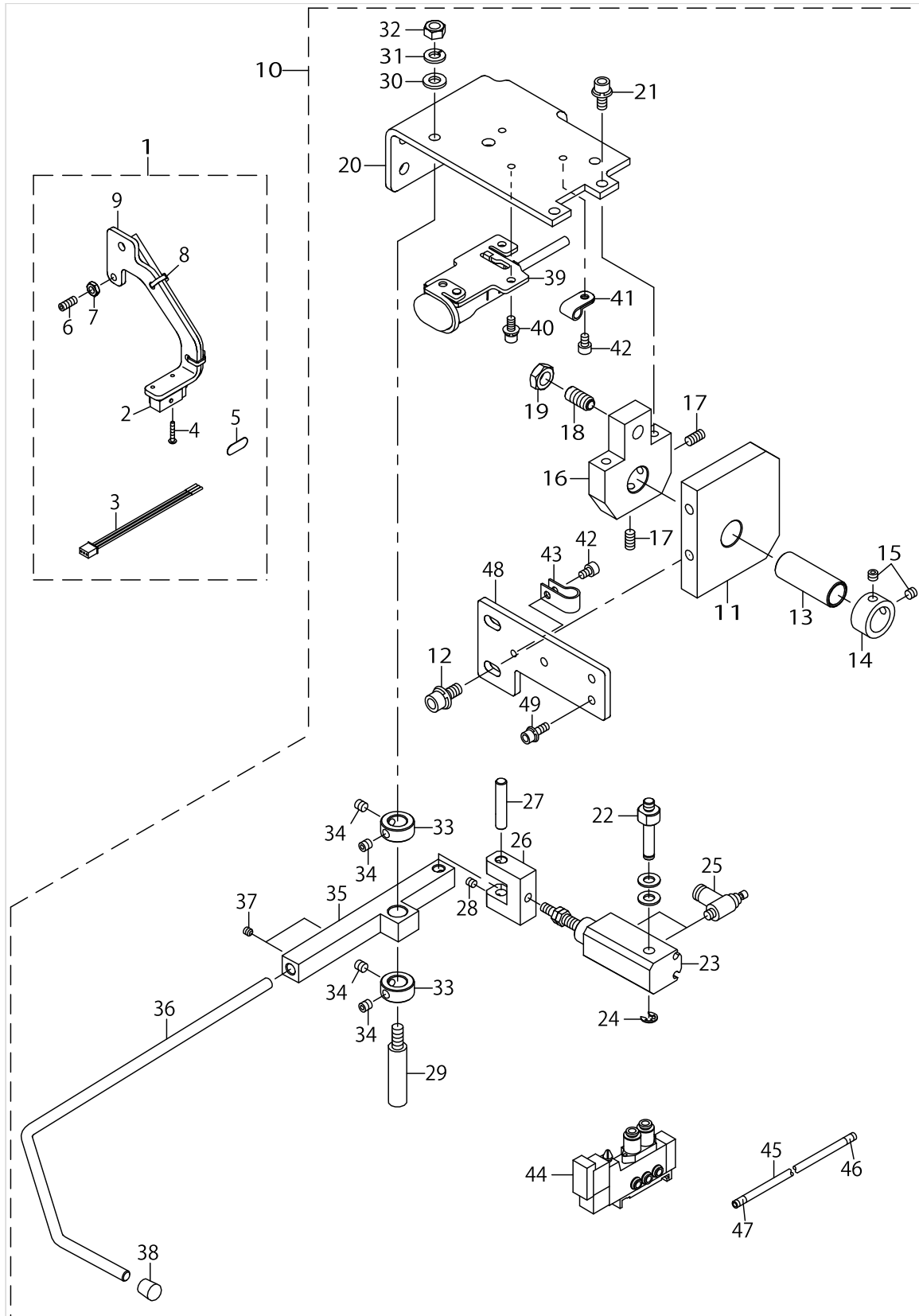
OPTIONAL PARTS COMPONENTS



OPTIONAL PARTS COMPONENTS

No.	Supply Code	Parts No.	Replacement	Parts name	Remarks	Choice	Step	Level	Cons	Qty	Rep. QTY
1		40098452		EDGE_SENSOR_ASM.						1	
2		40098333		CLOTH DETECTOR ASSY				*		1	
3		40098334		CLOTH CORD ASSY				*		1	
4		SM4021201SC		SCREW M2 L=12				*		2	
5		40088020		CLOTH_DETECTION- _REFLECTION_SHEET				*		1	
6		SM8041012TP		SCREW M4 L=10				*		1	
7		NM6040003SC		NUT M4				*		1	
8		EA9500B0000		CABLE BAND				*		8	
9		40098453		SENSOR_BASE				*		1	
10		40098686		SUPPORT CLAMP ASSY						1	
11		40098688		BLOCK_D				*		1	
12		SL6061492TN		BOLT				*		2	
13		40098689		SLIDE_SHAFT				*		1	
14		CS1501181TP		THRUST COLLAR D=15 W=11				*		1	
15		SM8050412TP		SCREW M5 L=4				*		2	
16		40098690		DARTS_COLLAR				*		1	
17		SM8051002TP		SCREW M5 L=10				*		2	
18		40035107		BALL_PLUNGER_H				*		1	
19		NM6080003SC		NUT M8				*		1	
20		40098691		BASE_PLATE				*		1	
21		SL6051292TN		BOLT				*		2	
22		40098692		CYLINDER_SUPORT_PIN				*		1	
23		PA1601017A0		AIR CYLINDER				*		1	
24		RE0400000K0		E-RING 4				*		1	
25		PC010508000		SPEED CONTROLLER				*		2	
26		40098694		CYLINDER_JOINT				*		1	
27		40098695		JOINT				*		1	
28		SM8040412TP		SET SCREW M4 L=4				*		2	
29		G5124164000		CLAMP SHAFT				*		1	
30		WP0641601SC		WASHER				*		1	
31		WS0610002KN		SPRING WASHER 6.1X12.2X1.5				*		1	
32		NM6060001SC		NUT M6				*		1	
33		CS1000881TP		THRUST COLLAR				*		2	
34		SM8050512TP		SCREW				*		4	
35		40098696		CLAMP_BLOCK				*		1	
36		40098698		CLAMP_FOOT				*		1	
37		SM8040412TP		SET SCREW M4 L=4				*		2	
38		G5138161000		RUBBER CAP				*		1	
39		40098857		PRESET SW ASSY				*		1	
40		SL6041092TN		SCREW				*		2	
41		HX00150000A		CABLE CLAMP				*		4	
42		SL4040891SC		SCREW M4 L=8				*		3	
43		HX00150000C		CABLE CLIP				*		2	
44		PV150209300		5 PORT ELECTROM- AGNETIC VALVE				*		1	
45		BT0400251EB		URETHANE HOSE BLACK				*		4	

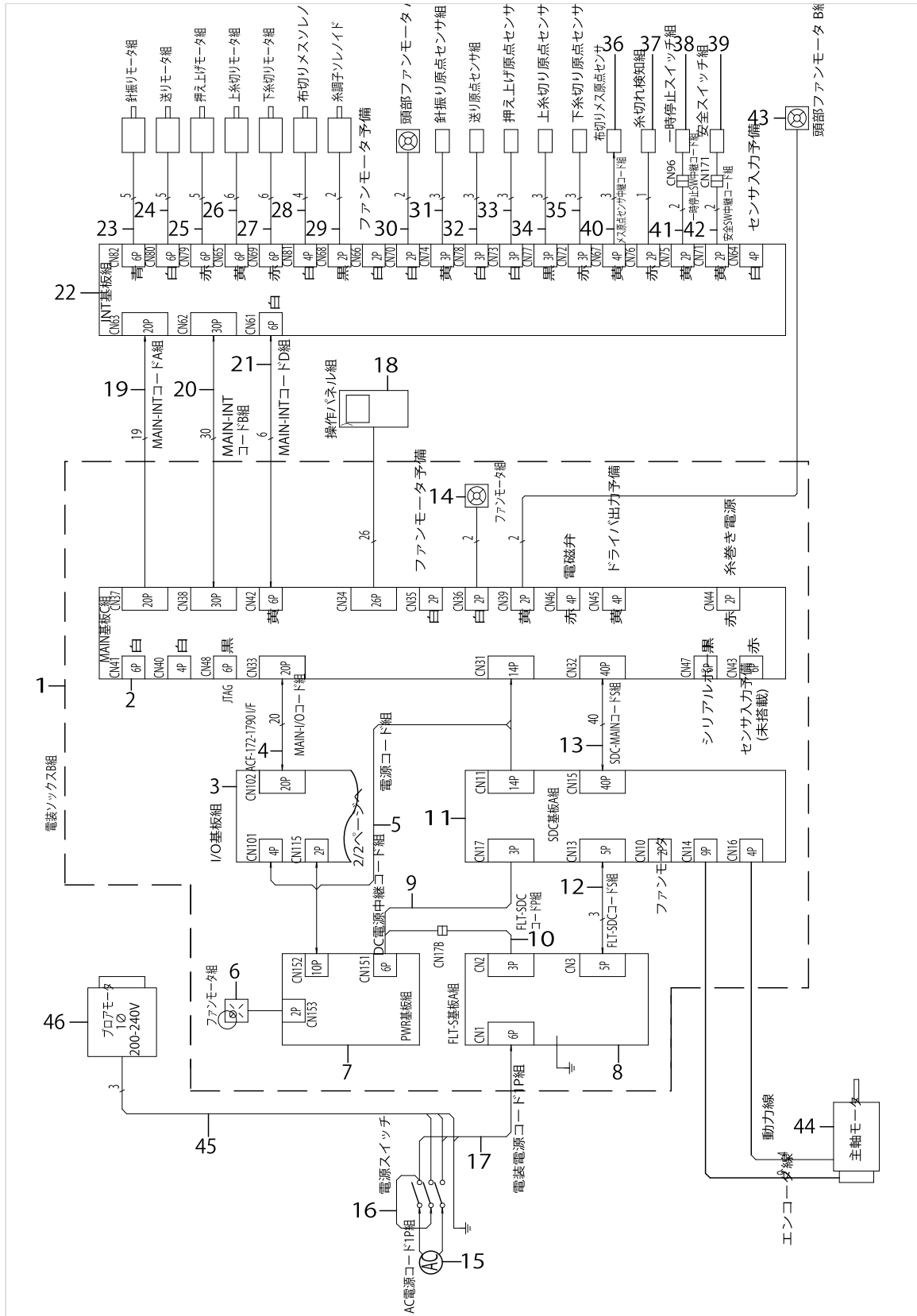
OPTIONAL PARTS COMPONENTS



OPTIONAL PARTS COMPONENTS

No.	Supply Code	Parts No.	Replacement	Parts name	Remarks	Choice	Step	Level	Cons	Qty	Rep. QTY
46		18035006		CABLE MARK NO.1				*		2	
47		18035105		WIRE MARK (2)				*		2	
48		40098687		DARTS_BASE				*		1	
49		SL6041292TN		SCREW				*		3	

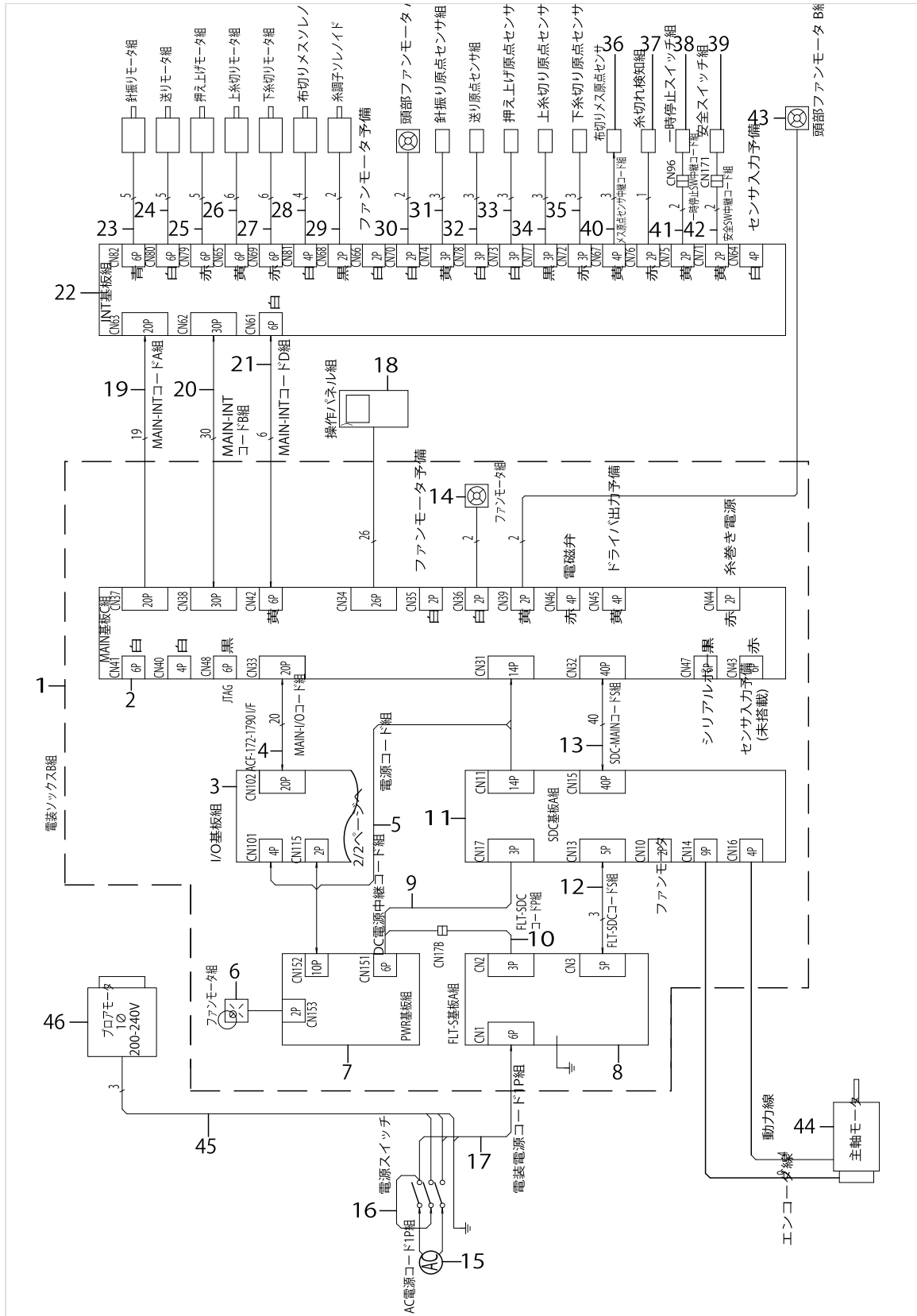
WIRING DIAGRAM (1) FOR 1-PHASE



WIRING DIAGRAM (1) FOR 1-PHASE

No.	Supply Code	Parts No.	Replacement	Parts name	Remarks	Choice	Step	Level	Cons	Qty	Rep. QTY
1		40085682		CONTROL BOX B ASSY						1	
2		40085688		MAIN PCB C ASSY				*		1	
3		40015534		I/O PCB ASSY				*		1	
4		40085611		MAIN-I/OCORDASSY				*		1	
5		72000499		PWR CORD ASSY				*		1	
6		40005401		FAN MOTOR ASSY				*		1	
7		40085596		PWR PCB ASSY				*		1	
8	R	40000046	40162838	FLT-S PCB A ASSY				*		1	1.00
9		40085680		DC PWR CORD ASSY				*		1	
10		40005393		FLT-SDC CORD P ASSY				*		1	
11		40082758		SDC PCB A ASSY				*		1	
12		40005394		FLT-SDC CORD S ASSY				*		1	
13		40005396		SDC-MAIN CORD S ASSY				*		1	
14		40005401		FAN MOTOR ASSY				*		1	
15		40017092		AC POWER CORD 1P ASSY						1	
16		HA005820000		SWITCH						1	
17		40085679		POWER CORD 1P ASSY						1	
18		40085683		OPERATION PANEL ASSY					☆	1	
19		40005397		MAIN-INT CORD A ASSY						1	
20		40005398		MAIN-INT CORD B ASSY						1	
21		40005399		MAIN-INT CORD D ASSY						1	
22	R	40003422	40122600	INT PCB ASSY						1	1.00
23		40005371		NEEDLE SWING MOTOR ASSY						1	
24		40005372		FEED MOTOR ASSY						1	
25		40005373		CLAMP MOTOR ASSY						1	
26		40005374		UTTRIMMOTORASSY						1	
27		40005375		LTTRIMMOTORASSY						1	
28		40004382		SOLENOID						1	
29		40006261		ASSY_AT_SOLENOID						1	
30		40119461		HEAD FAN MOTOR A ASSY						1	
31		40005377		NEEDLE SWING SENSOR ASSY						1	
32		40005378		FEED SENSOR ASSY						1	
33		40005379		CLAMP SENSOR ASSY						1	
34		40005380		UT TRIM SENSOR ASSY						1	
35		40005381		LT TRIM SENSOR ASSY						1	
36		HD00057000A		PHOTO SENSOR						1	
37		40003499		THREAD BREAK DETECTOR ASSY						1	
38		32002354		SWITCH ASM.						1	
39		40003495		SAFETY SWITCH ASSY						1	
40		40005382		CUTTER SENSOR J-OINT CORD ASSY						1	
41		40005400		PAUSE SWITCH JOINT CORD ASSY						1	
42		40003497		SAFETY SWITCH J-OINT CORD ASSY						1	
43		40005403		HEAD FAN MOTOR B ASSY						1	
44		40028015		AC SERVO MOTOR						1	
45		40120851		MOTOR POWER CORD ASSY						1	

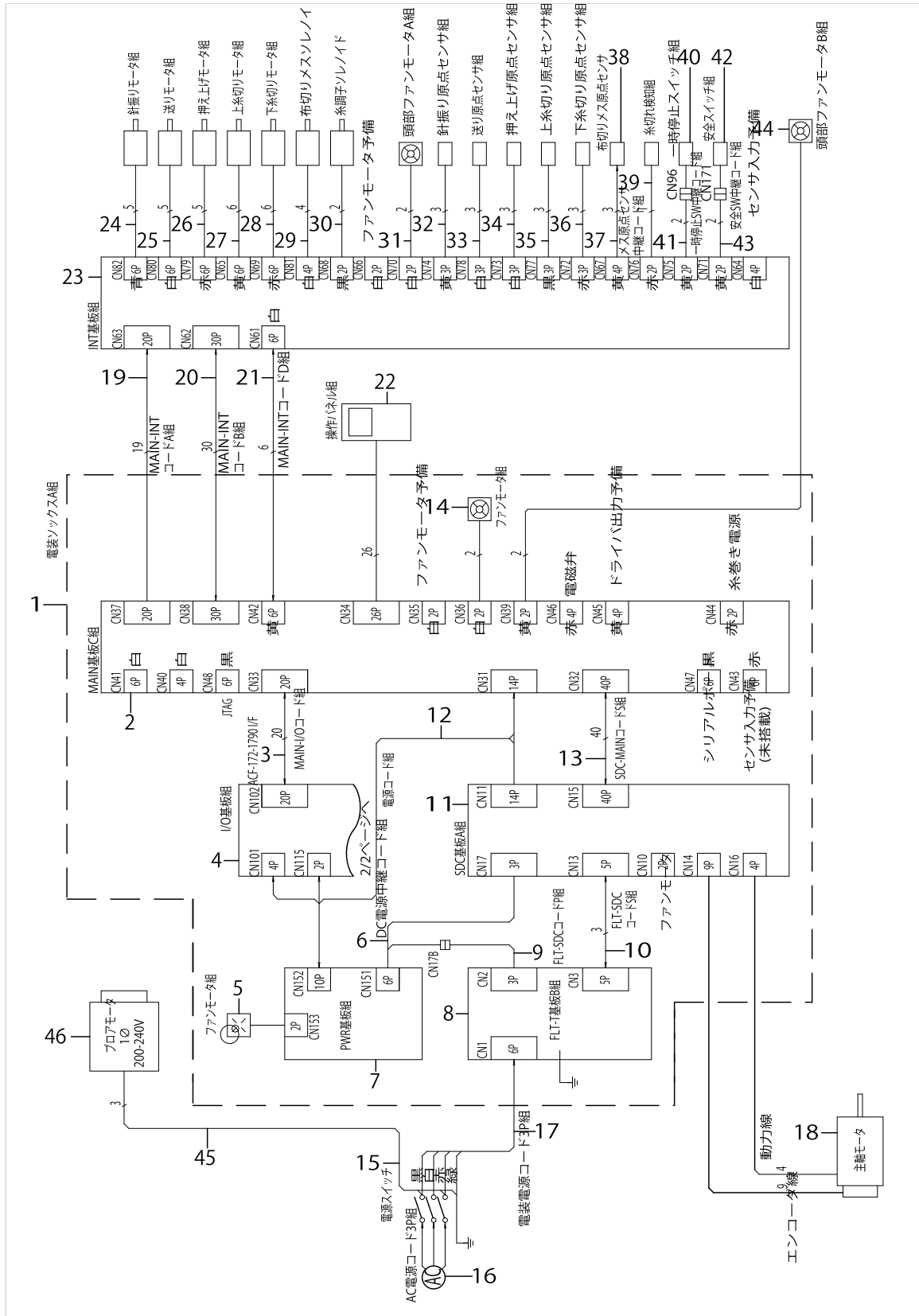
WIRING DIAGRAM (1) FOR 1-PHASE



WIRING DIAGRAM (1) FOR 1-PHASE

No.	Supply Code	Parts No.	Replacement	Parts name	Remarks	Choice	Step	Level	Cons	Qty	Rep. QTY
46		KM000000510		BLOWER MOTOR						1	

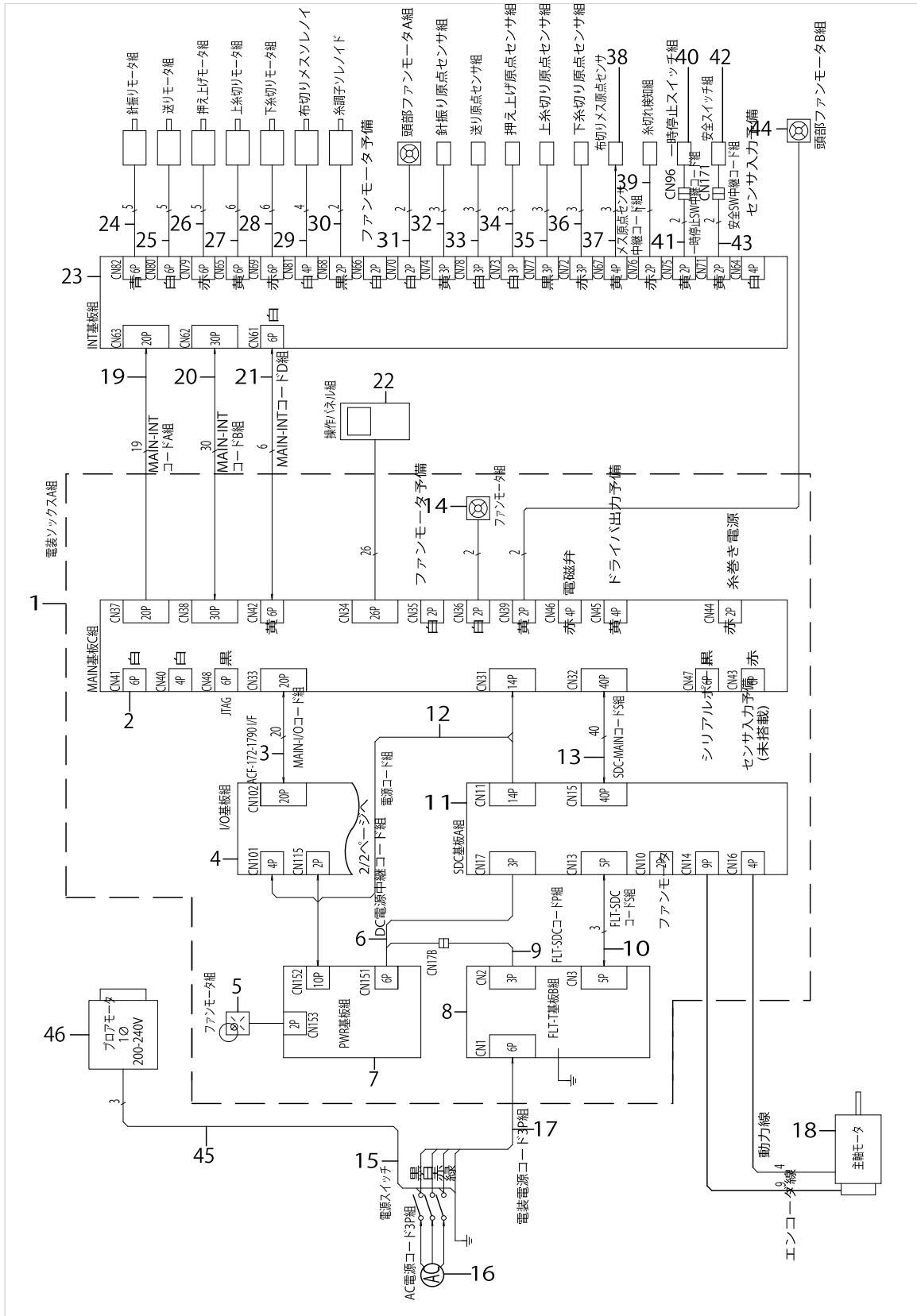
WIRING DIAGRAM (2) FOR 3-PHASE



WIRING DIAGRAM (2) FOR 3-PHASE

No.	Supply Code	Parts No.	Replacement	Parts name	Remarks	Choice	Step	Level	Cons	Qty	Rep. QTY
1		40085624		CONTROL BOX A ASSY						1	
2		40085688		MAIN PCB C ASSY				*		1	
3		40085611		MAIN-I/OCORDASSY				*		1	
4		40015534		I/O PCB ASSY				*		1	
5		40005401		FAN MOTOR ASSY				*		1	
6		40085680		DC PWR CORD ASSY				*		1	
7		40085596		PWR PCB ASSY				*		1	
8		40051320		FLT-T PCB B ASSY				*		1	
9		40005393		FLT-SDC CORD P ASSY				*		1	
10		40005394		FLT-SDC CORD S ASSY				*		1	
11		40082758		SDC PCB A ASSY				*		1	
12		40085681		PWR CORD ASSY				*		1	
13		40005396		SDC-MAIN CORD S ASSY				*		1	
14		40005401		FAN MOTOR ASSY				*		1	
15		HA005820000		SWITCH						1	
16		40017091		AC POWER CORD 3P ASSY						1	
17		40085629		POWER CORD 3P ASSY						1	
18		40028015		AC SERVO MOTOR						1	
19		40005397		MAIN-INT CORD A ASSY						1	
20		40005398		MAIN-INT CORD B ASSY						1	
21		40005399		MAIN-INT CORD D ASSY						1	
22		40085683		OPERATION PANEL ASSY						1	
23	R	40003422	40122600	INT PCB ASSY						1	1.00
24		40005371		NEEDLE SWING MOTOR ASSY						1	
25		40005372		FEED MOTOR ASSY						1	
26		40005373		CLAMP MOTOR ASSY						1	
27		40005374		UTTRIMMOTORASSY						1	
28		40005375		LTTRIMMOTORASSY						1	
29		40004382		SOLENOID						1	
30		40006261		ASSY_AT_SOLENOID						1	
31		40119461		HEAD FAN MOTOR A ASSY						1	
32		40005377		NEEDLE SWING SENSOR ASSY						1	
33		40005378		FEED SENSOR ASSY						1	
34		40005379		CLAMP SENSOR ASSY						1	
35		40005380		UT TRIM SENSOR ASSY						1	
36		40005381		LT TRIM SENSOR ASSY						1	
37		40005382		CUTTER SENSOR J-OINT CORD ASSY						1	
38		HD00057000A		PHOTO SENSOR						1	
39		40003499		THREAD BREAK DETECTOR A						1	
40		32002354		SWITCH ASM.						1	
41		40005400		PAUSE SWITCH JOINT CORD ASSY						1	
42		40003495		SAFETY SWITCH ASSY						1	
43		40003497		SAFETY SWITCH J-OINT CORD ASSY						1	
44		40005403		HEAD FAN MOTOR B ASSY						1	
45		40120851		MOTOR POWER CORD ASSY						1	

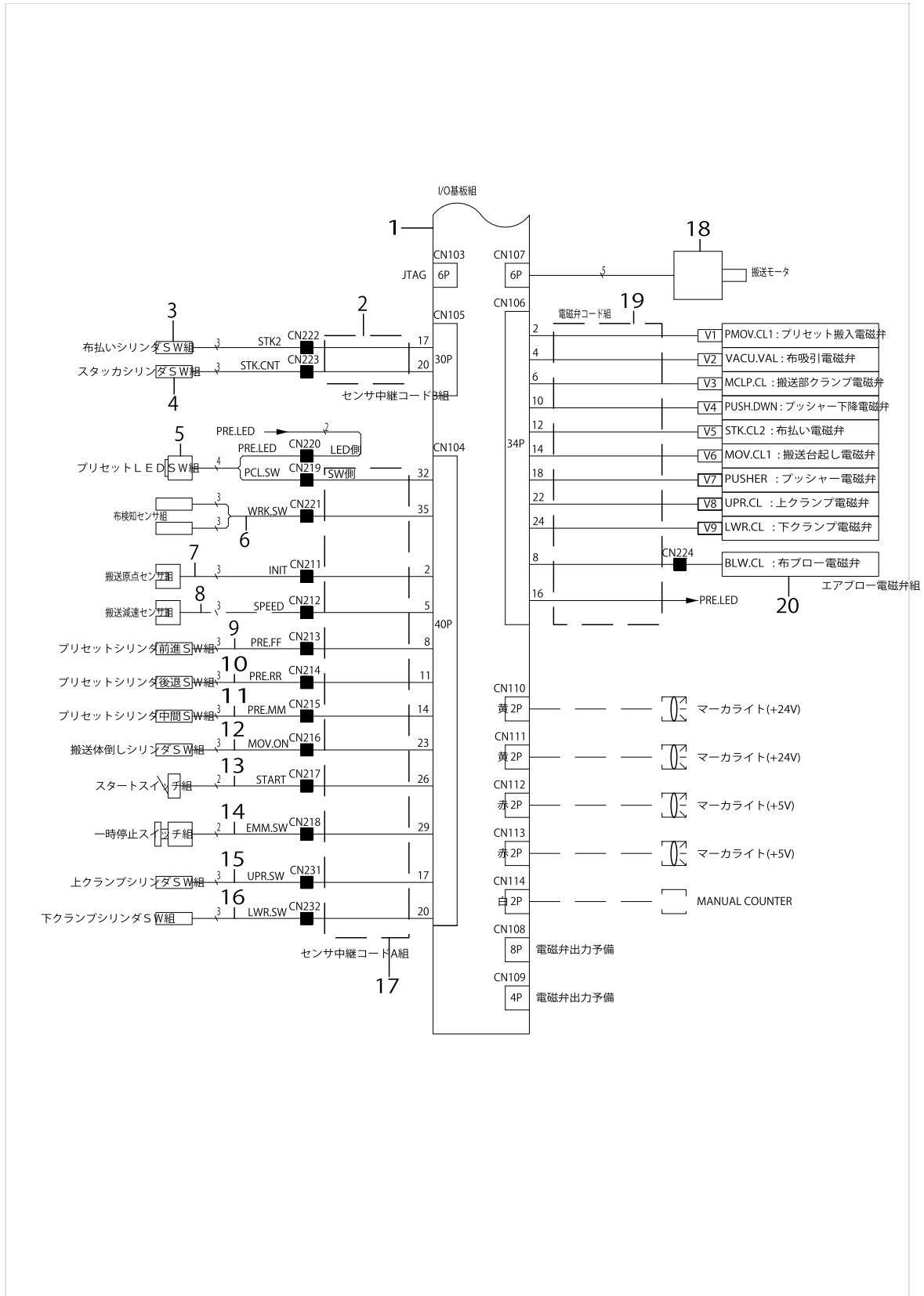
WIRING DIAGRAM (2) FOR 3-PHASE



WIRING DIAGRAM (2) FOR 3-PHASE

No.	Supply Code	Parts No.	Replacement	Parts name	Remarks	Choice	Step	Level	Cons	Qty	Rep. QTY
46		KM000000510		BLOWER MOTOR						1	

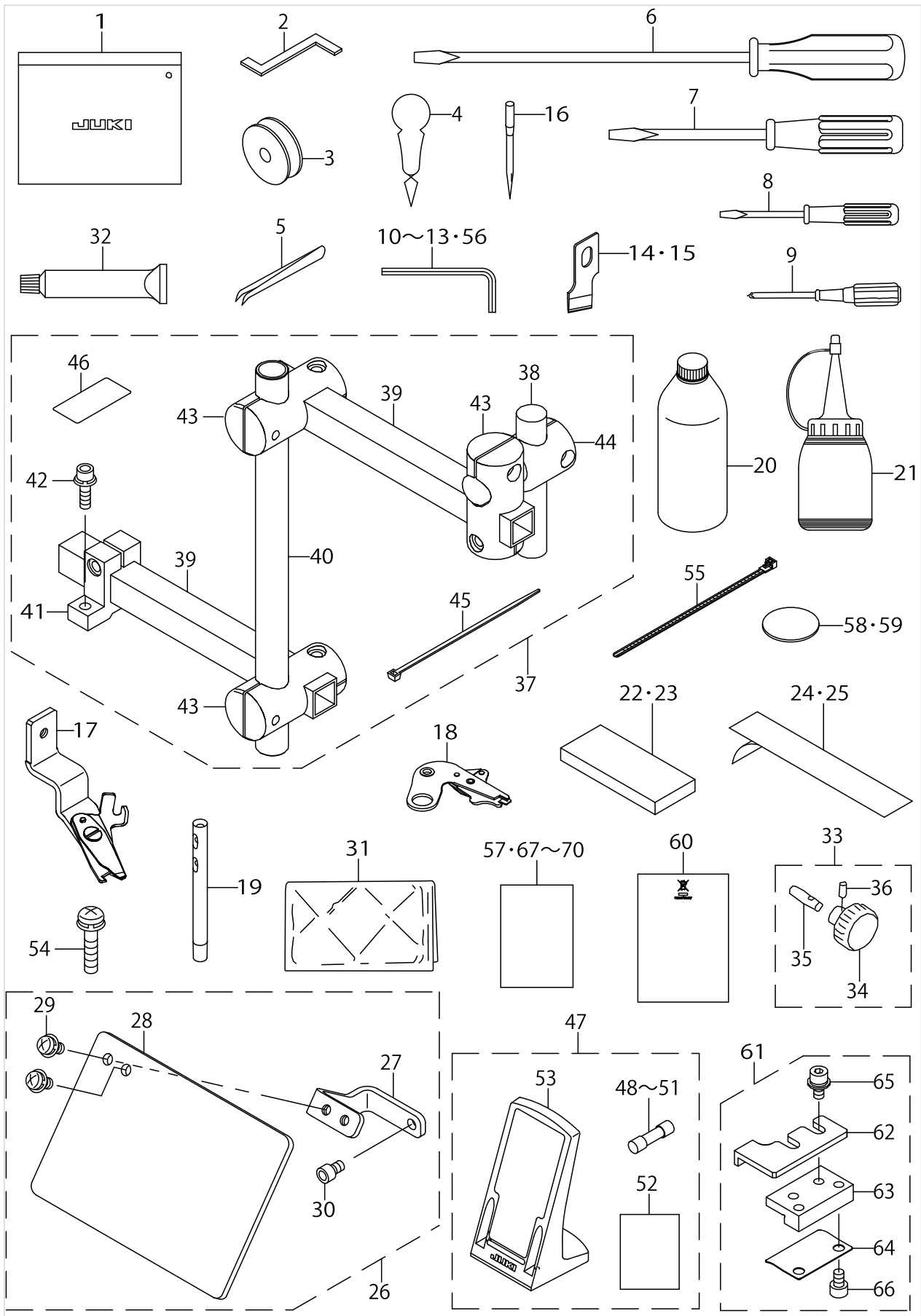
WIRING DIAGRAM (3)



WIRING DIAGRAM (3)

No.	Supply Code	Parts No.	Replacement	Parts name	Remarks	Choice	Step	Level	Cons	Qty	Rep. QTY
1		40015534		I/O PCB ASSY						1	
2		40016853		SENSOR JOINT CORD B ASSY						1	
3		40016851		STACKER2 CYL SW ASSY						1	
4		40016850		STACKER CNT CYL SW ASSY						1	
5		40017014		PRESET LEDSW ASSY						1	
6		40016645		SPACER EC						1	
7		40016842		CARRIER ORG SENSOR ASSY						1	
8		40016843		CARRIER DECEL SENSOR ASSY						1	
9		40016846		PRESET CYL FWD SW ASSY						1	
10		40016848		PRESET CYL BKWD SW ASSY						1	
11		40016847		PRESET CYL MID SW ASSY						1	
12		40016849		CARRIER MOV CYL SW ASSY						1	
13		40016844		START SWITCH ASSY						1	
14		40015562		PAUSE SWITCH ASSY						1	
15		40085621		UPPER CLAMP SENSOR ASSY						1	
16		40085622		LOWER CLAMP SENSOR ASSY						1	
17		40085613		SENSOR JOINT CORD A ASSY						1	
18		72000499		PWR CORD ASSY						1	
19		40085610		AIR VALVE CORD ASSY						1	
20		40016685		AIR BLOW VALVE ASSY						1	

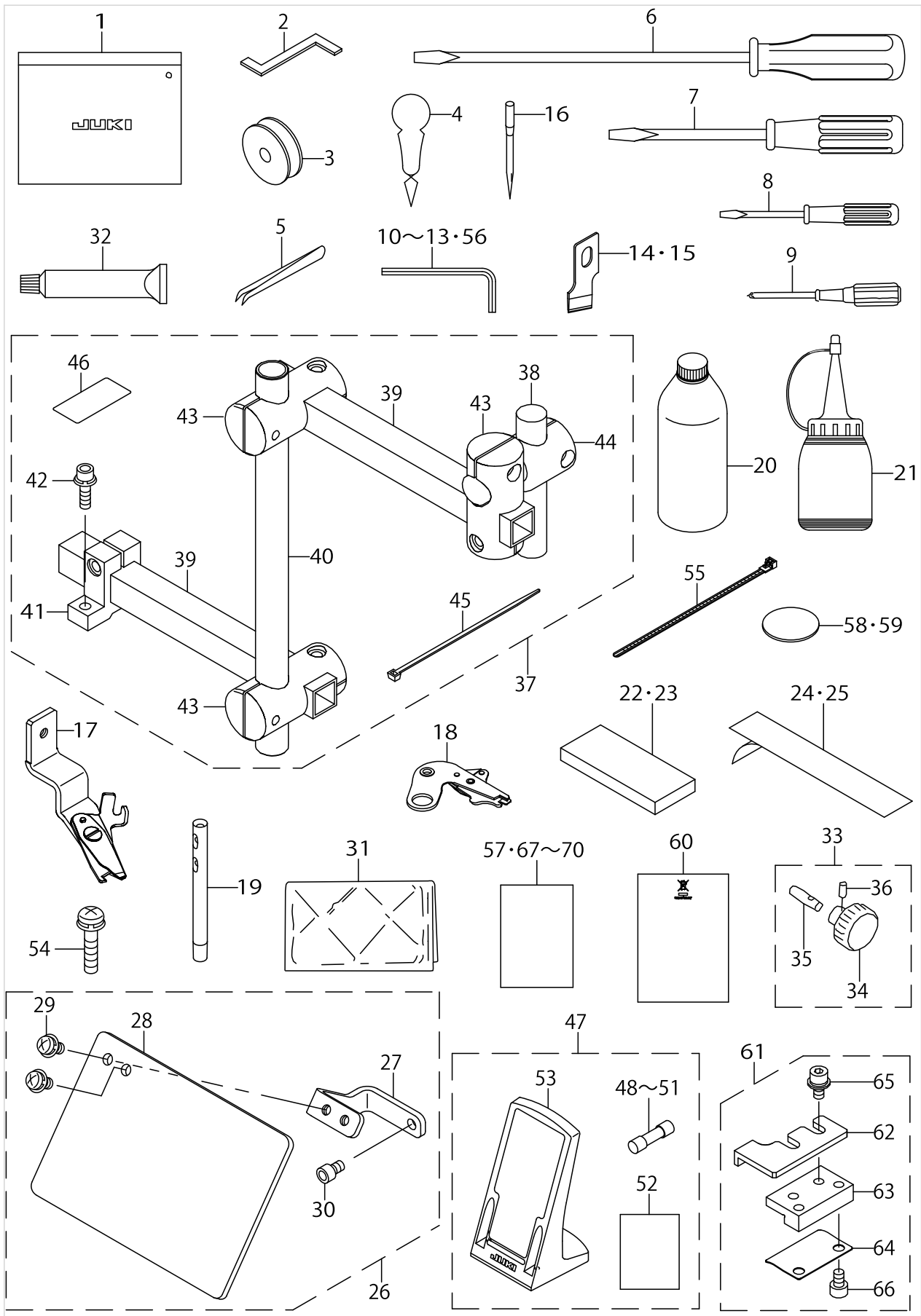
ACCESSORIES COMPONENTS (1)



ACCESSORIES COMPONENTS (1)

No.	Supply Code	Parts No.	Replacement	Parts name	Remarks	Choice	Step	Level	Cons	Qty	Rep. QTY
1		22932800		ACCESSORIE BAG						1	
2		40015430		TIMING_GAUGE_ACF					☆	1	
3		40009148		BOBBIN						1	
4		B9107761000		THREAD PASSING INSTRUMENT						1	
5		B9204804000		TWEEZERS						1	
6		22933006		SCREW DRIVER LARGE						1	
7		22933105		SCREW DRIVER MIDDLE						1	
8		22933204		SCREW DRIVER SMALL						1	
9		MAI17002000		RECESSED HEAD DRIVER (NO.1)						1	
10		J106600000D		HEXAGONAL WRENCH KEY						1	
11		GCT02904000		SPANNER						1	
12		GCT02905000		SPANNER						1	
13	D	12455507		HEXAGONAL WRENCH 1.5						1	
14		B2702047K00A		KNIFE 3/8						1	
15		B2702047M00A		KNIFE 5/8						1	
16	R	MDP5J0B1102	MDP5J0B1100	NEEDLE DPX5 #11J-2						1	1.00
17		40004255		ASSY_UTT_TRIMMER						1	
18		40004311		BT_TRIMMER						1	
19		22502504		THREAD GUIDE BAR						1	
20		MDFRX1600C0		DEFRIX OIL NO.1(600CC)						1	
21		J1067000000		OILER						1	
22		G5134172000		CLAMP CUSHION LARGE					☆	2	
23		G5135172000		CLAMP CUSHION SMALL					☆	2	
24		G5138172000		CLAMP TABLE LINER						1	
25		G5302172000		PRESET TABLELINER						5	
26		40052047		ASSY SAFETY PLATE B						1	
27		40049424		SAFETY PLATE BASE				*		1	
28	R	B3120372000	26037200	SAFETY PLATE				*		1	1.00
29		SL4040891SC		SCREW M4 L=8				*		2	
30		SM6040602TP		SCREW M4 L=6				*		1	
31		26234005		VINYL COVER						1	
32		40006323		JUKI GREASE A TUBE						1	
33		G53471720A0		PRESET ADJUSTING HANDLE ASM.						1	
34	R	G5347172000	G53471720A0	PRESET ADJUSTING HANDLE				*		1	1.00
35		G5348172000		PRESET ADJUSTING HANDLE BOSS				*		1	
36		PS0300162KH		SPRING PIN 3X16				*		1	
37		40092733		PH=MARKER	OPTIONAL PARTS					1	
38		40096356		MARKING LIGHT				*		1	
39		40096357		MARKING LIGHT PIPE A				*		2	
40		40096359		MARKING LIGHT PIPE C				*		1	
41		72001131		MARKING_LIGHT_PIPE_CLAMP_A				*		1	
42		SL6041492TN		SCREW				*		2	
43		72001132		MARKING_LIGHT_PIPE_CLAMP_B				*		3	
44		72001133		MARKING_LIGHT_PIPE_CLAMP_C				*		1	
45		EA9500B0100		CABLE BAND				*		2	

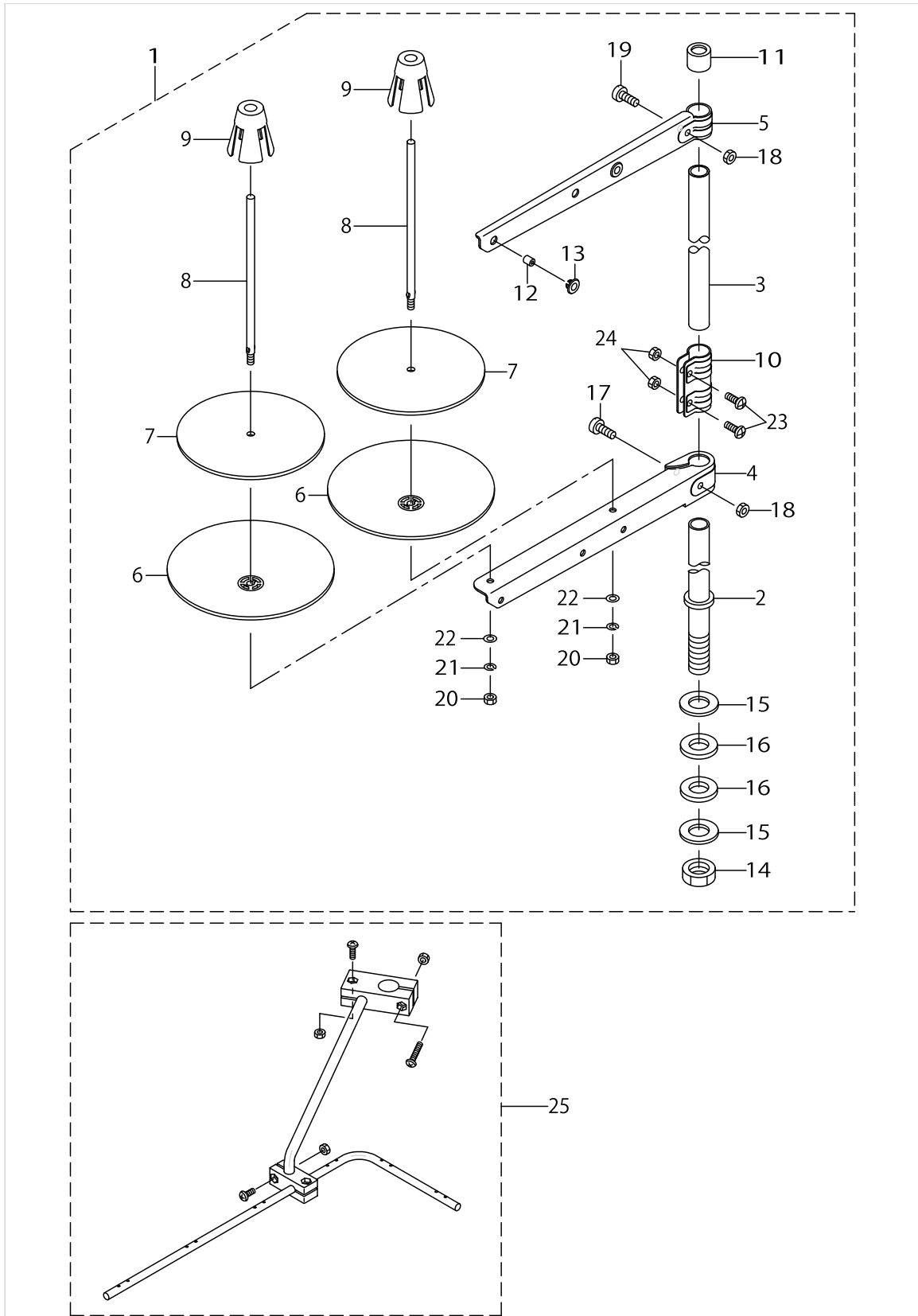
ACCESSORIES COMPONENTS (1)



ACCESSORIES COMPONENTS (1)

No.	Supply Code	Parts No.	Replacement	Parts name	Remarks	Choice	Step	Level	Cons	Qty	Rep. QTY
46		G5309164000		SCALE				*		2	
47		40085684		CONTROL BOX AC- CESSORY B ASSY						1	
48		HF0013050P0		FUSE 5A				*		1	
49		HF0013040P0		FUSE 4A				*		1	
50		HF00130315S		FUSE 3.15A 250V REF. NO.112				*		1	
51		HF003000200		FUSE 2A (220/240V)				*		1	
52		40015521		DECLARATION				*		1	
53		40035024		OPERATION_BOX_FI- XED_PLATE(B)ASM.				*	☆	1	
54		SL4052581SC		SCREW M5 L=25						2	
55		HX002920000		BAND						1	
56		J106600000G		HEXAGONAL WRENCH KEY						1	
57		40096850		SAFETY MANUAL AC-172N-1790						1	
58		40097821		SPACER A						3	
59		40097822		SPACER B						3	
60		CM600100201		WEEE INFORMATION SHEET						1	
61		40113000		GUAGE ASM.						3	
62		40113001		GUAGE				*		1	
63		40113002		GUAGE BASE				*		1	
64		40113003		GUAGE SPRING				*		1	
65		SL6040892TN		SCREW M4 L=8				*		2	
66		SM6040602TN		SCREW				*		2	
67		40110776		AC-172N-1790 SETUP MANUAL						1	
68		40093319		AC-172N PARTS LIST						1	
69		40117512		AC-172N_INSTRUCTION_CD						1	
70		40093321		AC-172N INSTRUCTION MANUAL						1	

ACCESSORIES COMPONENTS (2)



ACCESSORIES COMPONENTS (2)

No.	Supply Code	Parts No.	Replacement	Parts name	Remarks	Choice	Step	Level	Cons	Qty	Rep. QTY
1		40096354		THREAD STAND ASM.						1	
2		40085784		SPOOL REST ROD LOWER				*		1	
3		40085785		SPOOL REST ROD UPPER				*		1	
4		40085786		SPOOL REST ARM LOWER				*		1	
5		40085787		SPOOL REST ARM UPPER				*		1	
6		40085788		SPOOL REST				*		2	
7		40085789		SPOOL REST CUSHION				*		2	
8		40085790		SPOOL PIN				*		2	
9		40085791		SPOOL RETAINER				*		2	
10		40085792		SPOOL REST ROD JOINT				*		1	
11		40085793		SPOOL REST ROD RUBBER CAP				*		1	
12		40085794		THREAD GUIDE				*		2	
13		40085795		THREAD GUIDE BUSHING				*		2	
14		40096325		SPOOL REST ROD NUT				*		1	
15		WP1612616SE		WASHER 16X30X2.6				*		2	
16		40085796		SPOOL REST ROD RUBBER CUSHION				*		2	
17		40096326		SPOOL REST ARM LOWER SCREW				*		1	
18		NM6050001SE		NUT M5				*		2	
19	R	40096327	SM4053001SE	SPOOL REST ARM UPPER SCREW				*		1	1.00
20		NM6050001SE		NUT M5				*		2	
21		WS0510002KN		SPRING WASHER M5				*		2	
22		WP0531001SC		WASHER M5				*		2	
23		SM4051405SE		SCREW M5 L=14				*		2	
24		NM6050001SE		NUT M5				*		2	
25		26910059		THREAD GUIDE ARM ASM.						1	

LIST FOR INFORMATION OF CHANGE

As to the place changed, refer to the corresponding Rev.No.
 When previous parts(Obsoleted part)and new parts(Added parts)are not interchangeable with each other:
 In this case, even obsoleted parts(D.)can be ordered with the obsoleted part number, so select the parts with changed dates and place your orders.

変更箇所は、該当Rev.No.版をご参照ください。
 部品の互換性がない変更の場合は、削除された品番でも、ご注文できます。

40093319
 No.1548-05・・Rev.No.

*A:Added parts追加部品/D:Obsoleted parts削除部品/E:Erratum訂正

*	Rev. No.	Page 頁	Ref. No.	Parts No. 品番	*	Rev. No.	Page 頁	Ref. No.	Parts No. 品番
					A	05	2	69	401-14201
D	04	18	41	WP-0430801-SC	A	05	18	41	WP-0451016-SP
D	04	20	36	SM-6051602-TN	A	05	20	36	SM-6051202-TN
D	04	20	42	SM-6051602-TN	A	05	20	42	SM-6051202-TN
D	04	26	15	400-00029	A	05	26	15	400-82758
D	04	26	20	HX-0033900-00	A	05	26	20	KX-0000003-80
D	04	26	25	HX-0033900-00	A	05	26	25	KX-0000003-80
D	04	26	31	HX-0033900-00	A	05	26	31	KX-0000003-80
D	04	26	46	400-85681	A	05	26	46	720-00499
D	04	32	5	400-85681	A	05	32	5	720-00499
D	04	32	11	400-00029	A	05	32	11	400-82758
					A	05	32	45	401-20851
					A	05	32	46	KM-0000005-10
D	04	34	11	400-00029	A	05	34	11	400-82758
					A	05	34	45	401-20851
					A	05	34	46	KM-0000005-10
D	04	36	18	400-85618	A	05	36	18	720-00499
D	04	38	41	400-96360	A	05	38	41	720-01131
D	04	38	43	400-96361	A	05	38	43	720-01132
D	04	38	44	400-96362	A	05	38	44	720-01133

HOW TO MAKE USE OF THIS PARTS LIST

1.Explanation of codes

1)"*"mark.....means this part is changed from the previous parts book.

As to the details of the change, refer to the "List for information of change".

2)"#01".....refer to "Note" explanation at bottom of page.

2.Codes on the "Qty" column

• Each numeral indicates the number of parts required.

• "0.1" and "2.5" indicate the length (in meters) of the respective parts.

3.Parentheses mean that the corresponding part is a subpart that constructs an assembly part.

4.Dotted lines on the Figures indicate assembly parts.

5.As to the parts with marks of "☆"(consumable parts) and "◎"(optional parts)on the respective parts, it is recommended to prepare spares.

1 ."注記"欄の記号説明

1) "*"印.....前回のパーツブックに比較して今回変更された部品を意味します。

変更内容は、"変更情報リスト"を参照してください。

2) "#01".....ページ下の"注記"の説明を参照してください。

2.数量欄の数字は、個数を表し、0.1、2.5等の数値は、長さ（単位メートル）を表します。

3.数量欄の（ ）は、組部品を構成している子部品であることを意味します。

4.イラストページの-----枠は、組構成であることを意味します。

5.リストページの"☆"（消耗部品）、"◎"（オプション部品）の印がついた部品は、予備を準備しておくことをお奨めします。

NUMERICAL INDEX OF PARTS

PART NO	PAGE	REF NO.	PART NO	PAGE	REF NO.	PART NO	PAGE	REF NO.
11041100	30	6	40003462	54	5	40005396	60	13
11155108	2	43	40003464	54	6	40005396	64	13
11155801	6	44	40003495	46	16	40005397	60	19
11156007	6	43	40003495	60	39	40005397	64	19
11206505	10	35	40003495	64	42	40005398	60	20
12455507	70	10~ 13-56	40003496	46	18	40005398	64	20
13700604	46	6	40003497	60	42	40005399	60	21
13703806	48	73	40003497	64	43	40005399	64	21
13703905	48	72	40003499	60	37	40005400	60	41
13704002	48	69	40003499	64	39	40005400	64	41
13706304	48	70	40004160	46	8	40005401	50	34
13741806	30	5	40004255	70	17	40005401	60	14
13774906	2	17	40004311	70	18	40005401	64	14
14101208	46	45	40004325	48	57	40005403	46	10
14115554	4	61	40004326	48	56	40005403	60	43
14516603	46	17	40004382	60	28	40005403	64	44
14516900	46	19	40004382	64	29	40006261	60	29
16556300	26	42	40005371	60	23	40006261	64	30
16556300	30	30	40005371	64	24	40006314	46	37
16870206	4	51	40005372	60	24	40006323	70	32
17845009	50	42	40005372	64	25	40008977	46	3
18035006	58	46	40005373	60	25	40008978	46	4
18035105	58	47	40005373	64	26	40009148	70	3
22502504	70	19	40005374	60	26	40011013	46	28
22573505	2	30	40005374	64	27	40011318	48	66
22932800	70	1	40005375	60	27	40011319	48	60
22933006	70	6	40005375	64	28	40011320	48	63
22933105	70	7	40005377	60	31	40011422	2	26
22933204	70	8	40005377	64	32	40011893	48	74
23638109	46	20	40005378	60	32	40012529	10	25
23638208	46	22	40005378	64	32	40012529	10	25
23638307	46	21	40005378	64	33	40012545	10	14
23638406	46	23	40005379	60	33	40012545	10	14
26230409	46	43	40005379	64	33	40012546	10	22
26234005	70	31	40005379	64	34	40012547	10	20
26910059	74	25	40005380	60	34	40012547	10	20
32002354	60	38	40005380	64	34	40012548	10	24
32002354	64	40	40005380	64	35	40012548	10	24
40000046	60	8	40005381	64	35	40014272	42	20
40000916	42	6	40005381	60	35	40015141	46	2
40003422	60	22	40005382	64	36	40015224	46	1
40003422	64	23	40005382	60	40	40015430	70	2
40003458	6	15	40005382	64	37	40015521	72	52
40003458	52	55	40005393	60	10	40015521	72	52
			40005393	64	9	40015534	50	22
			40005394	50	45	40015534	60	3
			40005394	60	12	40015534	64	4
			40005394	64	10	40015534	68	1
			40005394	64	10	40015562	8	62
			40005396	52	47	40015562	68	14

NUMERICAL INDEX OF PARTS

PART NO	PAGE	REF NO.	PART NO	PAGE	REF NO.	PART NO	PAGE	REF NO.
40015612	6	25	40040251	32	38	40085688	50	12
40016101	18	1	40044823	42	33	40085688	60	2
40016101	22	25	40049424	70	27	40085688	64	2
40016645	68	6	40051320	52	18·62	40085690	54	4
40016685	44	52	40051320	64	8	40085784	74	2
40016685	68	20	40052047	70	26	40085785	74	3
40016842	16	54	40055355	52	59	40085786	74	4
40016842	68	7	40082758	50	15	40085787	74	5
40016843	68	8	40082758	60	11	40085788	74	6
40016844	4	56	40082758	64	11	40085789	74	7
40016844	68	13	40085596	50	28	40085790	74	8
40016845	6	45	40085596	60	7	40085791	74	9
40016846	30	42	40085596	64	7	40085792	74	10
40016846	68	9	40085607	50	24	40085793	74	11
40016847	30	43	40085608	50	30	40085794	74	12
40016847	68	11	40085609	50	39	40085795	74	13
40016848	30	44	40085610	44	51	40085796	74	16
40016848	68	10	40085610	68	19	40088020	56	5
40016849	12	78	40085611	52	48	40092733	70	37
40016849	68	12	40085611	60	4	40093178	14	2
40016850	18	44	40085611	64	3	40093179	14	8
40016850	68	4	40085612	54	2	40093180	26	26
40016851	18	45	40085613	8	80	40093181	26	1
40016851	68	3	40085613	68	17	40093182	2	1
40016853	8	79	40085618	10	16	40093185	36	1
40016853	68	2	40085621	68	15	40093191	36	19
40017014	46	46	40085622	68	16	40093192	36	27
40017014	68	5	40085624	50	1·2	40093194	36	17
40017091	8	78	40085624	64	1	40093195	38	53
40017091	64	16	40085629	52	63	40093198	38	49
40017092	8	77	40085629	64	17	40093199	38	64
40017092	60	15	40085630	50	18·62	40093202	38	57
40017821	52	69	40085633	52	66	40093204	38	54
40017822	52	70	40085679	50	44	40093205	38	63
40020109	10	32	40085679	60	17	40093206	2	2
40023635	36	70	40085680	52	58	40093207	36	33
40023635	38	70	40085680	60	9	40093208	36	29
40023644	38	83	40085680	64	6	40093209	36	31
40028015	60	44	40085681	64	12	40093211	38	52
40028015	64	18	40085682	50	1·2	40093212	2	36
40029012	36	12	40085682	60	1	40093214	48	71
40035024	72	53	40085683	54	1	40093215	48	67
40035107	56	18	40085683	60	18	40093216	2	4
40036409	32	36	40085683	64	22	40093217	36	3
40039255	48	52	40085684	72	47	40093295	14	6

NUMERICAL INDEX OF PARTS

PART NO	PAGE	REF NO.	PART NO	PAGE	REF NO.	PART NO	PAGE	REF NO.
40093296	42	1	40098452	56	1	40118566	36	41
40093297	26	28	40098453	56	9	40118567	38	61
40093298	2	28	40098686	56	10	40118568	36	39
40093319	72	57·67~ 70	40098687	58	48	40118569	38	66
40093321	72	57·67~ 70	40098688	56	11	40119461	60	30
40093358	10	7	40098689	56	13	40119461	64	31
40093359	10	8	40098690	56	16	40120851	60	45
40093408	32	42	40098691	56	20	40120851	64	45
40093419	38	79	40098692	56	22	72000499	50	46
40093420	38	75	40098694	56	26	72000499	60	5
40093447	38	77	40098695	56	27	72000499	68	18
40094018	50	3	40098696	56	35	72001131	70	41
40094019	50	4	40098698	56	36	72001132	70	43
40094560	4	55	40098857	56	39	72001133	70	44
40095625	48	47	40099159	6	19	B1123205000	34	53
40095627	8	74	40099476	6	32	B1504761A00	18	39
40095628	8	75	40099938	36	4	B1505040000	18	36
40095629	48	48	40099939	36	5	B1632180000	36	38
40095630	48	49	40099941	36	8	B1906581000	36	20
40095631	46	38	40105662	22	37	B2107816000	36	44
40095632	46	39	40105663	22	38	B25198500A0	32	5
40096325	74	14	40107493	38	90	B2544280000	2	23
40096326	74	17	40107494	36	10	B2702047K00A	70	14·15
40096327	74	19	40107495	38	56	B2702047M00A	70	14·15
40096354	74	1	40107496	38	91	B3120372000	70	28
40096356	70	38	40107497	36	11	B3207470000	2	22
40096357	70	39	40107498	38	92	B4420373000	34	52
40096359	70	40	40107499	36	14	B9107761000	70	4
40096850	72	57·67~ 70	40107710	14	22	B9204804000	70	5
40096868	4	64	40107711	16	58	BT0400251E0	44	45~50
40096912	48	55	40109423	14	24	BT0400251EA	44	45~50
40096949	30	4	40110776	72	57·67~ 70	BT0400251EB	42	42
40097632	6	1	40111562	32	39	BT0400251EB	56	45
40097633	6	5	40111979	26	4	BT0400251EC	44	45~50
40097687	12	79	40112596	6	7	BT0400251ED	44	45~50
40097759	36	86	40112895	4	65	BT0400251EE	44	45~50
40097759	38	86	40112896	4	66	BT0400251EH	44	45~50
40097821	72	58·59	40113000	72	61	BT0600401E0	42	43·44
40097822	72	58·59	40113001	72	62	BT0600401EB	42	43·44
40097849	6	3	40113002	72	63	BT0800501EB	42	36
40097865	48	61	40113003	72	64	CM200100001	52	51
40098333	56	2	40114201	4	69	CM300100301	52	67
40098334	56	3	40117512	72	57·67~ 70	CM300100401	52	64
			40118565	36	35	CM300200003	4	52
						CM300200004	4	53

NUMERICAL INDEX OF PARTS

PART NO	PAGE	REF NO.	PART NO	PAGE	REF NO.	PART NO	PAGE	REF NO.
CM300300003	8	84	G5016162000	6	23	G5135172000	14	39
CM300400601	52	68	G5016172000	6	11	G5135172000	70	22·23
CM301300001	4	54	G5017172000	6	13	G5136172000	8	67
CM600100101	52	52	G5018172000	6	16	G5136172000	14	40
CM600100101	54	10	G5022172000	2	6	G5136172000	22	41
CM600100201	72	60	G5024172000	2	7	G5136172000	34	58
CS0800971TP	36	24	G5025172000	6	21	G5137172000	16	47
CS1000881TP	36	6	G5026162000	6	31	G5137172000	34	63
CS1000881TP	56	33	G5026172000	6	29	G5138161000	12	68
CS1200981TP	38	59	G5027172000	6	40	G5138161000	56	38
CS1501181TP	10	33	G5031164000	4	48	G5138172000	14	10
CS1501181TP	18	3	G5032164000	4	49	G5138172000	70	24·25
CS1501181TP	22	27	G5033172000	4	46	G5139172000	10	28
CS1501181TP	56	14	G5034171000	6	22	G5144162000	14	27
D6056555B00	46	35	G5101172000	10	1	G5144162000	22	14
E2002855000	46	5	G5102164000	12	71	G5150162000	12	58
E9567319000	52	54	G5105172000	10	10	G5153171000	12	74
E9607603000	52	50	G5106172000	12	51	G5171136000	34	50
E9609603000	52	49	G5107172000	12	53	G5176136000	26	25
EA9500B0000	56	8	G5108172000	12	59	G5176136000	34	51
EA9500B0100	8	52	G5110172000	12	55	G5201172000	22	1
EA9500B0100	16	51	G5111172000	12	57	G5202172000	22	2
EA9500B0100	34	68	G5112172000	10	30	G5203172000	22	12
EA9500B0100	46	41	G5113172000	10	31	G5204171000	22	42
EA9500B0100	70	45	G5114172000	10	39	G5204172000	22	4
EA9500B0200	8	53	G5115172000	10	46	G5205172000	22	10
EA9500B0200	16	52	G5115172000	18	11	G5207172000	22	16
EA9500B0200	24	59	G5116172000	12	61	G5208172000	22	17
EA9500B0200	52	65	G5116172000	24	51	G5209172000	22	19
G1015192000	2	37	G5117172000	14	1	G5210172000	22	20
G1016192000	2	38	G5119172000	14	3	G5211172000	22	22
G1017192000	2	34	G5120172000	12	66	G5212172000	8	66
G50051720A0	2	9	G5121172000	12	69	G5212172000	24	50
G5006172000	2	10	G5124164000	56	29	G5213172000	22	24
G5007172000	2	12	G5124172000	14	19	G5214172000	18	7
G5008172000	2	14	G5125172000	14	20	G5214172000	22	31
G5009172000	2	18	G5126172000	14	23	G52151720A0	18	9
G5009172000	10	12	G5128172000	14	26	G5216172000	18	19
G5009172000	32	15	G5129172000	14	29	G5216172000	26	37
G5009172000	38	88	G5130172000	14	30	G5216172000	30	25
G5010164000	10	3	G5131172000	14	32	G5217172000	8	64
G5010172000	2	20	G5132172000	14	33	G5218172000	18	16
G5011172000	2	44	G5133172000	14	34	G5219172000	18	24
G5013172000	6	34	G5134172000	14	38	G5220172000	18	26
G5015172000	6	9	G5134172000	70	22·23	G52211720A0	18	28

NUMERICAL INDEX OF PARTS

PART NO	PAGE	REF NO.	PART NO	PAGE	REF NO.	PART NO	PAGE	REF NO.
G5222172000	18	30	G5337172000	26	35	HX00055000C	18	27
G5223172000	18	31	G5337172000	30	23	HX00065000B	34	69
G5224172000	18	32	G5338172000	26	44	HX00065000B	42	37·38
G5225172000	18	40	G5338172000	30	32	HX001500000	6	72
G5226172000	18	41	G5341172000	30	11	HX001500000	8	72
G5238171000	12	49	G5342172000	30	12	HX00150000A	46	15
G5238171000	18	22	G5343172000	28	47	HX00150000A	56	41
G5239171000	18	5	G5344172000	32	32	HX00150000B	8	54
G5239171000	22	29	G5345172000	32	31	HX00150000B	24	55
G5302172000	26	3	G53461720A0	28	48	HX00150000C	56	43
G5302172000	70	24·25	G5347172000	70	34	HX00150000D	8	48
G5304172000	26	7	G53471720A0	70	33	HX00150000D	24	56
G5305172000	26	9	G5348172000	70	35	HX00150000E	12	75
G5306172000	26	10	G5352171000	26	24	HX00150000E	16	57
G53071720A0	26	11	G5453161000	4	63	HX00150000E	20	46
G5308172000	26	12	G5454161000	16	50	HX00150000E	32	29
G5309164000	34	57	G5458116000	42	35	HX00150000F	8	49
G5309164000	72	46	G5606116000	10	41	HX00150000F	12	77
G5309172000	26	14	G5606116000	18	15	HX00150000F	24	57
G5310172000	26	16	G5810172000	26	30	HX00150000F	44	53
G5311172000	26	19	G6010003000	26	29	HX00150000H	8	50
G5312172000	26	21	G6014880000	36	87	HX00150000K	6	83
G5313172000	26	23	G6014880000	38	87	HX00150000K	8	83
G5314172000	30	1	G6801172000	4	57	HX002920000	42	37·38
G5315172000	30	3	G6803172000	4	59	HX002920000	72	55
G5317172000	30	16	GBR01910000	2	25	HX00314000B	38	84
G5318172000	30	19	GCT02904000	70	10~	HX00339000K	50	14
G5319172000	32	1			13·56	HX00339000L	50	17
G5320172000	32	2	GCT02905000	70	10~	HX004070000	50	41
G5321172000A	32	7			13·56	HX005110000	52	53
G5322172000	32	4	GMC10004000	32	44	HX005210000	46	42
G5323172000	32	9	GMC100050A0	34	45	J106600000D	70	10~
G5324172000A	32	10	GMC10007000	34	46			13·56
G5325172000	32	12	GMC16007000	30	34	J106600000G	72	56
G5326172000	32	13	HA004290010	8	63	J1067000000	70	21
G5327172000	32	17	HA005820000	8	76	KM000000480	50	35
G5328172000	32	19	HA005820000	60	16	KM000000510	34	67
G5329172000	32	20	HA005820000	64	15	KM000000510	62	46
G5330172000	32	21	HD00057000A	60	36	KM000000510	66	46
G5331172000	32	22	HD00057000A	64	38	KX000000320	52	57
G5332172000	32	25	HF00130315S	72	48~51	KX000000380	50	31
G5333172000	32	27	HF0013040P0	72	48~51	M1011580000	54	9
G5335172000	26	31	HF0013050P0	72	48~51	M1031580000	54	8
G5336172000	26	33	HF003000200	72	48~51	M10315800A0	54	7
G5336172000	30	21	HM0003800A0	46	13	M1032580000	54	11
			HM000550010	46	11			

NUMERICAL INDEX OF PARTS

PART NO	PAGE	REF NO.	PART NO	PAGE	REF NO.	PART NO	PAGE	REF NO.
M3801476000	50	7	PA1602006A0	36	26	PJ304040504	30	38
M4206461000	50	11	PA200251500	10	37	PJ304040504	42	17
M964051000A	52	60	PA2005015A0	18	18	PJ304060502	42	18
MAI17002000	70	9	PA2007508A0	18	14	PJ308040002	22	53
MDFRX1600C0	70	20	PA320500200	30	7	PJ308040002	24	53
MDP5J0B1102	70	16	PA900024000	22	11	PJ308040002	30	39
MTJMGC00000	18	35	PA900041000	10	44	PJ308080003	42	40
MTJMS000030	2	29	PA900042000	30	9	PJ309005204	42	31
NM3040520SC	50	37	PA900046000	24	60	PJ309085202	42	22
NM6030001SC	6	60	PC010508000	10	38	PS0300162KH	32	23
NM6030001SC	8	60	PC010508000	26	41	PS0300162KH	70	36
NM6030001SC	34	49	PC010508000	30	29	PV010503000	30	36
NM6030001SC	42	14	PC010508000	56	25	PV130536000	42	15
NM6040000SN	40	94	PC010519000	14	13	PV150209300	42	8
NM6040001SC	6	42	PC010519000	38	73	PV150209300	56	44
NM6040003SC	14	37	PC012401000	22	54	PV915005000	42	7
NM6040003SC	56	7	PC012401000	24	54	PX050003000	42	9
NM6050001SC	10	5	PC012401000	38	47	PX906003000	12	50
NM6050001SC	42	11	PC012601000	8	71	PX906004000	30	10
NM6050001SE	74	24	PC012601000	14	45	RE0300000K0	26	45
NM6050001SP	36	22	PC012601000	24	44	RE0300000K0	30	33
NM6050003SC	30	15	PC012601000	34	61	RE0300000K0	38	85
NM6060001SC	2	42	PC015108000	18	43	RE0400000K0	56	24
NM6060001SC	56	32	PC015108000	30	8	RE0500000K0	14	25
NM6060001SD	46	34	PF0552160A0	42	21	RE0600000K0	32	6
NM6060003SC	12	70	PJ025200004	42	24	RE0700000K0	18	20
NM6060003SC	14	5	PJ030520001	42	26	RE0700000K0	26	38
NM6060003SC	42	30	PJ032059008	8	69	RE0700000K0	30	26
NM6080001SC	22	49	PJ032059008	14	42	SB108000700	36	23
NM6080001SC	24	49	PJ032059008	24	46	SB112001100	10	27
NM6080001SC	50	10	PJ032059008	34	62	SB708000100	22	9
NM6080003SC	18	33	PJ032526001	42	32	SB710000200	26	18
NM6080003SC	22	40	PJ042520001	42	23	SD0800408TP	36	18
NM6080003SC	56	19	PJ046052503	40	95	SD0800426TP	36	13
NM6160001SC	4	50	PJ050525201	42	25	SL4030681SC	6	39
NS6200710SN	2	33	PJ301040502	14	14	SL4031691SC	2	16
PA1001016A0	26	40	PJ301040502	30	37	SL4032081SC	24	45
PA1001016A0	30	28	PJ301060503	14	41	SL4033091SC	38	48
PA1008501A0	22	33	PJ301060503	42	19	SL4033091SC	50	38
PA1500505A0	36	16	PJ301065201	42	34	SL4040691SC	22	23
PA160100500	14	12	PJ303060001	8	70	SL4040881SC	8	73
PA160100500	32	33	PJ303060001	34	70	SL4040881SC	20	47
PA1601017A0	38	68	PJ303060001	42	39	SL4040881SC	24	58
PA1601017A0	56	23	PJ304040504	22	35	SL4040881SC	32	30
PA1601531A0	36	25	PJ304040504	26	46	SL4040881SC	50	33

NUMERICAL INDEX OF PARTS

PART NO	PAGE	REF NO.	PART NO	PAGE	REF NO.	PART NO	PAGE	REF NO.
SL4040891SC	4	60	SL6041092TN	32	37	SL6062092TN	18	10
SL4040891SC	8	55	SL6041092TN	36	58	SL6062092TN	36	34
SL4040891SC	12	76	SL6041092TN	38	58	SL6062592TN	12	54
SL4040891SC	14	56	SL6041092TN	56	40	SL6063092TN	12	52
SL4040891SC	16	56	SL6041292TN	2	27	SL6083092TN	50	8
SL4040891SC	32	43	SL6041292TN	12	72	SL9061693SE	2	21
SL4040891SC	50	56	SL6041292TN	30	20	SL9061693SE	14	7
SL4040891SC	52	56	SL6041292TN	36	28	SM0030601SA	6	33
SL4040891SC	56	42	SL6041292TN	58	49	SM0040601SA	2	45
SL4040891SC	70	29	SL6041492TN	70	42	SM0040601SA	6	61
SL4041081SC	6	28	SL6041642TN	26	43	SM0040601SA	8	61
SL4041091SC	2	3	SL6041642TN	30	31	SM0040601SA	16	48
SL4041091SC	8	82	SL6051092TN	14	31	SM0040601SA	22	21
SL4041091SC	28	49	SL6051092TN	22	13	SM0040601SA	38	78
SL4041091SC	50	61	SL6051092TN	26	22	SM0041001SC	26	2
SL4041091SC	52	61	SL6051092TN	30	13	SM0060801SA	6	18
SL4042081SC	14	46	SL6051092TN	36	67	SM1030801SC	34	47
SL4042581SC	42	41	SL6051092TN	38	67	SM1031001SC	6	57
SL4043591SC	50	36	SL6051292TN	14	21	SM1031001SC	8	57
SL4051091SC	10	29	SL6051292TN	26	34	SM1040652TP	48	62
SL4052581SC	72	54	SL6051292TN	30	22	SM1043001SP	46	12
SL6031092TN	42	12	SL6051292TN	38	55	SM1062052TP	2	68
SL6031292TN	42	16	SL6051292TN	42	5	SM1062052TP	4	68
SL6031642TN	12	73	SL6051292TN	56	21	SM4021201SC	46	24
SL6032092TN	10	21	SL6051442TN	10	11	SM4021201SC	56	4
SL6040642TN	26	27	SL6051492TN	6	4	SM4040501SN	26	5
SL6040692TN	38	80	SL6051492TN	10	67	SM4040601SC	8	85
SL6040842TN	2	19	SL6051492TN	12	67	SM4040801SN	14	17
SL6040842TN	10	13	SL6051492TN	26	17	SM4041050TP	4	62
SL6040842TN	32	16	SL6051692TN	38	50	SM4041401SC	6	41
SL6040842TN	38	89	SL6052042TN	10	4	SM4051405SE	74	23
SL6040892TN	2	15	SL6052092TN	12	56	SM5040550TP	48	75
SL6040892TN	6	81	SL6061292TN	2	24	SM6020350SP	26	8
SL6040892TN	8	81	SL6061292TN	18	42	SM6033052TP	14	15
SL6040892TN	10	45	SL6061292TN	22	30	SM6033052TP	32	34
SL6040892TN	30	35	SL6061292TN	48	51	SM6040602TN	32	64
SL6040892TN	32	24	SL6061492TN	56	12	SM6040602TN	34	64
SL6040892TN	36	65	SL6061692TN	2	35	SM6040602TN	36	32
SL6040892TN	38	65	SL6061692TN	6	2	SM6040602TN	72	66
SL6040892TN	46	44	SL6061692TN	18	8	SM6040602TP	46	27
SL6040892TN	72	65	SL6061692TN	22	32	SM6040602TP	70	30
SL6041042TN	22	5	SL6061692TN	42	28	SM6040802TP	48	65
SL6041092TN	6	30	SL6062092TN	4	67	SM6041002TN	38	76
SL6041092TN	22	18	SL6062092TN	6	6	SM6041200SP	48	58
SL6041092TN	26	32	SL6062092TN	10	9	SM6042502TP	30	40

NUMERICAL INDEX OF PARTS

PART NO	PAGE	REF NO.	PART NO	PAGE	REF NO.	PART NO	PAGE	REF NO.
SM6043552TN	32	40	SM9083503SC	10	42	WP0841601SC	24	47
SM6051202TN	36	42	SM9083503SC	18	21	WP0841601SC	50	9
SM6051802TP	10	17	SS4110515SP	48	68	WP0852086SC	2	31
SM6052002TN	38	62	SS6121212TP	10	36	WP0852086SC	48	50
SM6061002TP	46	40	SS7090520SP	46	25	WP1612616SE	74	15
SM6061202TP	12	63	ST4031051SN	54	3	WS0310002KN	6	58
SM6061202TP	14	4	TA0800504R0	46	30	WS0310002KN	8	58
SM6062502TP	18	2	WP0320501SC	6	59	WS0310002KN	14	16
SM6062502TP	22	26	WP0320501SC	8	59	WS0310002KN	32	35
SM6062502TP	30	17	WP0320501SC	34	48	WS0410002KN	14	18
SM6062502TP	48	54	WP0320501SC	42	13	WS0410002KN	34	73
SM6063002TN	34	54	WP0430800SC	26	36	WS0510002KN	10	18
SM6063002TP	48	53	WP0430800SC	30	24	WS0510002KN	74	21
SM6066052TP	46	32	WP0430800SC	36	37	WS0610002KN	2	40
SM6067052TP	46	31	WP0430801SC	8	86	WS0610002KN	34	55
SM6083002TN	24	52	WP0430801SC	14	49	WS0610002KN	56	31
SM6083002TP	12	62	WP0430801SC	16	49	WS0820002KN	2	32
SM8040402TP	14	43	WP0430801SC	22	15	WS0820002KN	10	43
SM8040402TP	34	59	WP0430801SC	26	6	WS0820002KN	20	48
SM8040412TP	56	37	WP0430801SC	30	41	WS0820002KN	24	48
SM8040602TP	32	18	WP0430801SC	34	72	WT0430002KN	4	58
SM8041012TP	14	36	WP0430801SE	48	59			
SM8041012TP	40	93	WP0451016SP	22	6			
SM8041012TP	56	6	WP0451016SP	32	41			
SM8050412TP	10	34	WP0522016SH	10	6			
SM8050412TP	18	4	WP0531000SD	36	21			
SM8050412TP	22	28	WP0531000SF	48	64			
SM8050412TP	56	15	WP0531001SC	10	19			
SM8050502TP	38	81	WP0531001SC	42	10			
SM8050512TP	56	34	WP0531001SC	74	22			
SM8050592TP	38	60	WP0612056SD	46	33			
SM8050602TP	26	20	WP0621016SH	26	39			
SM8050602TP	36	7	WP0621016SH	30	27			
SM8050612TP	36	40	WP0621016SH	46	36			
SM8050812TP	8	68	WP0641601SC	2	41			
SM8050812TP	14	44	WP0641601SC	22	39			
SM8050812TP	24	43	WP0641601SC	30	18			
SM8050812TP	34	60	WP0641601SC	42	29			
SM8051002TP	56	17	WP0641601SC	56	30			
SM8060612TP	46	7	WP0651646SC	18	37			
SM8060802TP	10	23	WP0651646SC	34	56			
SM8062012TP	12	64	WP0820516SP	38	82			
SM9052003SC	30	14	WP0841600SE	22	8			
SM9082503SE	12	47	WP0841601SC	12	48			
SM9082503SE	18	12	WP0841601SC	18	34			