

MODEL : MF-7200D

List No : 1540-00

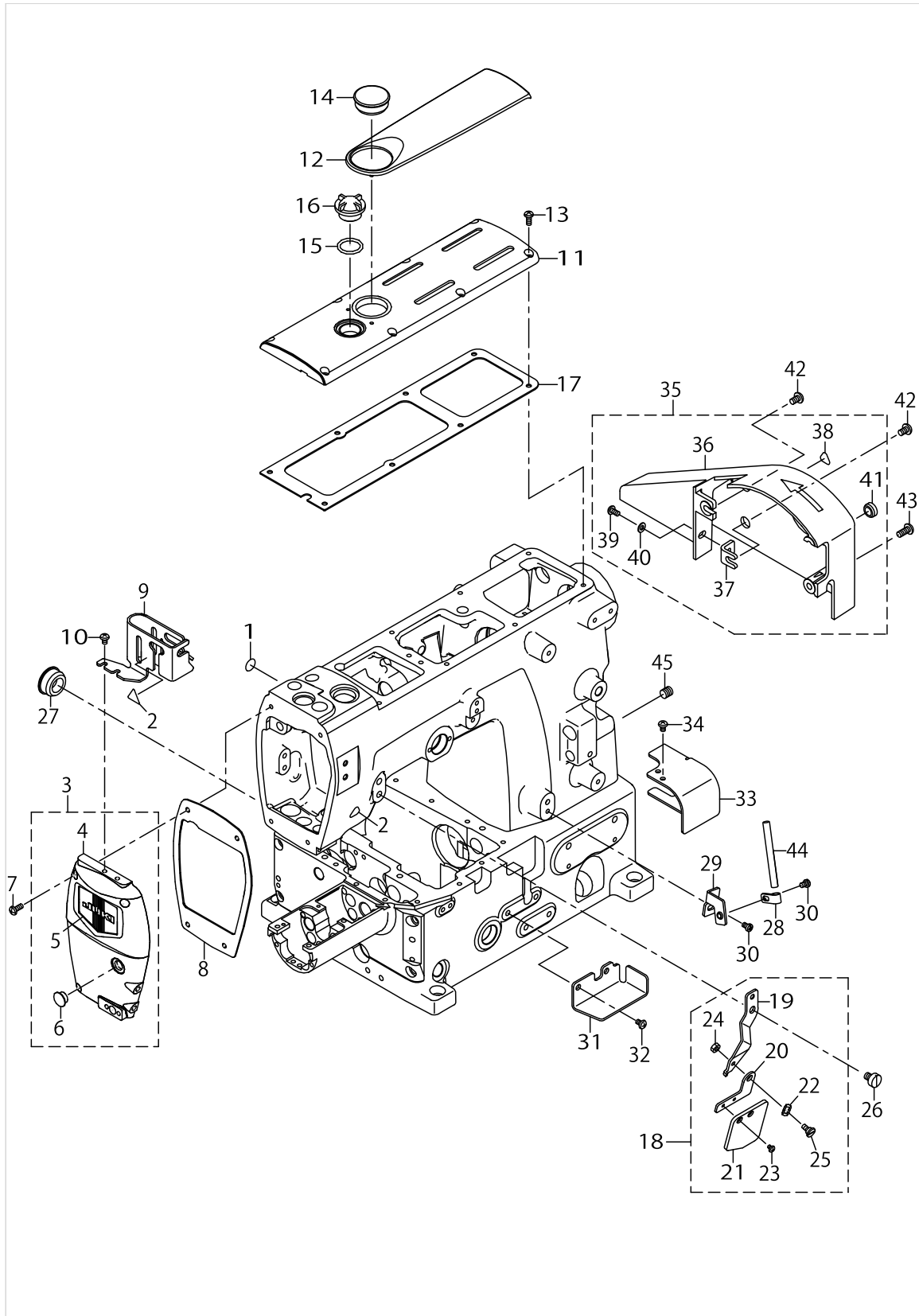
PARTS LIST

Published:05/12/2017

CONTENTS

FRAME & MISCELLANEOUS COVER COMPONENTS (1)	1
FRAME & MISCELLANEOUS COVER COMPONENTS (2)	3
MAIN SHAFT COMPONENTS	7
NEEDLE BAR & PRESSER COMPONENTS.....	11
FEED DRIVE COMPONENTS (1)	15
FEED DRIVE COMPONENTS (2)	21
THREAD TAKE-UP LEVER COMPONENTS.....	27
SPREADER COMPONENTS.....	31
LOWER THREAD CAM COMPONENTS.....	33
NEEDLE GUARD COMPONENTS.....	37
LOOPER COMPONENTS	39
THREAD TENSION COMPONENTS	43
LUBRICATION COMPONENTS	45
THREAD STAND COMPONENTS.....	49
GAUGE PARTS COMPONENTS	51
ACCESSORIES PARTS COMPONENTS	53
HOW TO MAKE USE OF THIS PARTS LIST	57

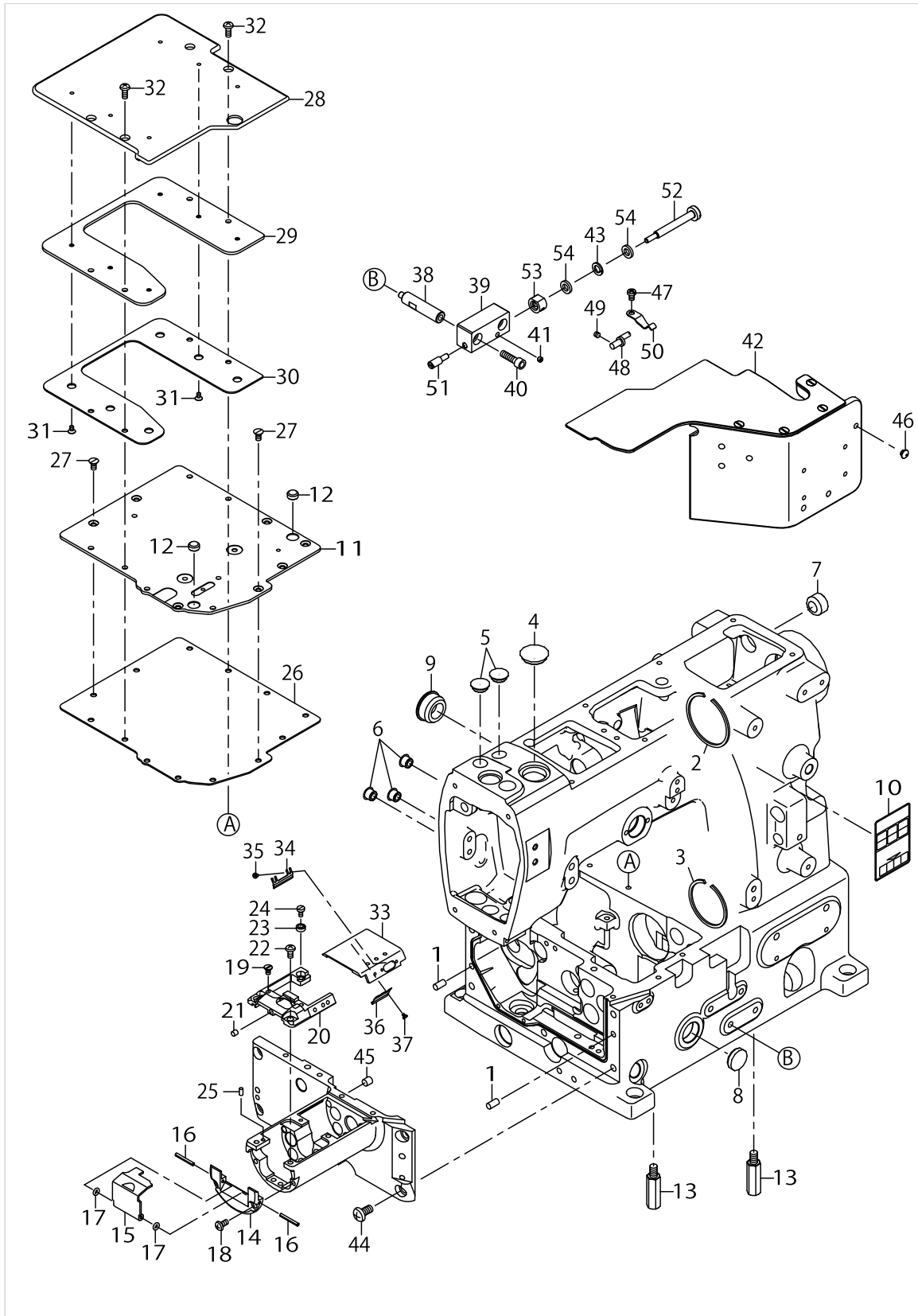
FRAME & MISCELLANEOUS COVER COMPONENTS (1)



FRAME & MISCELLANEOUS COVER COMPONENTS (1)

No.	Supply Code	Parts No.	Replacement	Parts name	Remarks	Choice	Step	Level	Cons	Qty	Rep. QTY
1		22901805		GROUND MARK						1	
2		CM300200001		ATTENTION SEAL						1	
3		13300959		ASSY_HEAD_COVER						1	
4		13300900		HEAD COVER				*		1	
5		22902506		FACE PLATE				*		1	
6		TA1050504R0		RUBBER PLUG				*		1	
7		SM4041055SP		SCREW						4	
8		13301007		GASKET H						1	
9		13301304		NEEDLE BAR GUARD						1	
10		SM4040655SP		SCREW M4 L=6						2	
11		40081954		TOP_COVER_DRY						1	
12		40081956		TOP_COVER_PANEL_PRINTING						1	
13		SM4041055SP		SCREW						8	
14		10753309		WINDOW PLATE RUBBER PLUG						1	
15		RO195240100		RUBBER RING						1	
16		22924708		OIL SIGHT WINDOW						1	
17		13300801		GASKET T						1	
18		40033518		PROTECTION_SHIELD_ASSY						1	
19		40033340		BRACKET HOLDER				*		1	
20		40033341		BRACKET				*		1	
21		13301700		PROTECTION SHIELD				*		1	
22		WZ0641510KP		WAVED WASHER 6.4X11X0.3				*		1	
23		SM4030455SN		SCREW				*		2	
24		NM6040001SP		NUT M4X0.7				*		1	
25		SD0640246SP		HINGE SCREW D=6.35 H=2.4				*		1	
26		SM6060800SP		SCREW M6 L=8						1	
27		TA2351004R0		RUBBER PLUG						1	
28		40074338		EYELET_TUBE HOLDER						1	
29		40086143		THREAD_GUIDE_BRACKET						1	
30		SM4040655SP		SCREW M4 L=6						2	
31		40085973		COVER						1	
32		SM4050655SP		SCREW M5 L=6						2	
33		40086125		BELT_COVER						1	
34		SM4040655SP		SCREW M4 L=6						2	
35		40086336		DRIVING_BELT_COVER_ASSY	ACCESSO- RIES PARTS					1	
36		40086334		DRIVING_BELT_COVER				*		1	
37		40086335		BELT_COVER_PLATE				*		1	
38		CM300200001		ATTENTION SEAL				*		1	
39		SM4040855SP		SCREW				*		1	
40		WP0430801SC		WASHER 4.3X9X0.8				*		1	
41		TA1270502R0		RUBBER PLUG				*		1	
42		SM4050855SP		SCREW	ACCESSO- RIES PARTS					2	
43		SM4051255SP		SCREW..M5 L=12.	ACCESSO- RIES PARTS					1	
44		D3105481D00		LOOPER THREAD GUIDE						1	
45		SM8080812TP		SCREW M8X8						3	

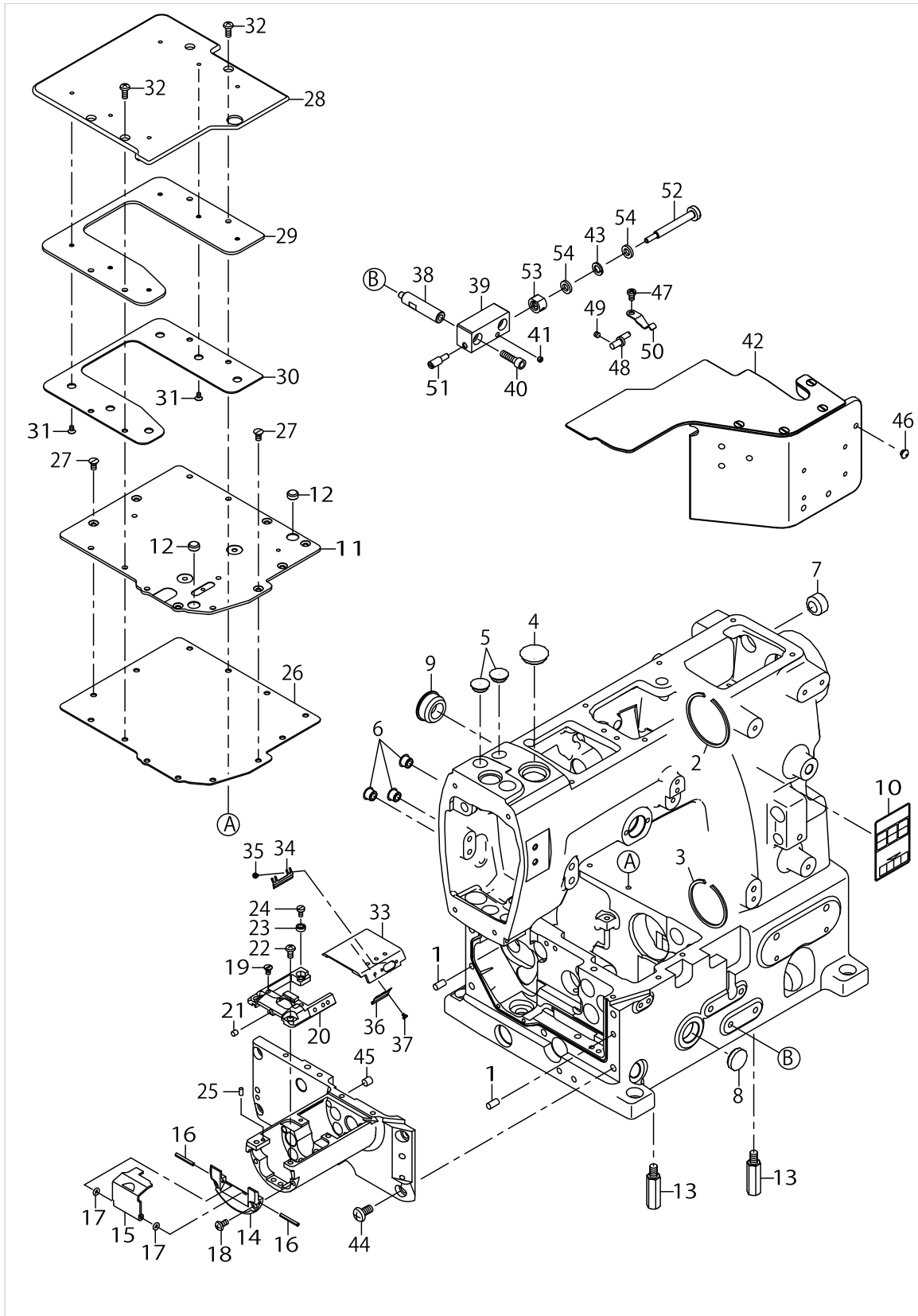
FRAME & MISCELLANEOUS COVER COMPONENTS (2)



FRAME & MISCELLANEOUS COVER COMPONENTS (2)

No.	Supply Code	Parts No.	Replacement	Parts name	Remarks	Choice	Step	Level	Cons	Qty	Rep. QTY
1		12219705		PIN						2	
2		RC4881514KP		C-RING						1	
3		RC4381514KP		C-RING						1	
4		TA2050406R0		RUBBER PLUG						1	
5		TA1250406R0		RUBBER PLUG D=12.5 L=4						2	
6		TA0850604R0		RUBBER PLUG						3	
7		TA1701002R0		RUBBER PLUG						1	
8		TA1900502R0		RUBBER PLUG						1	
9		TA2351004R0		RUBBER PLUG						1	
10		CM301200001		SAFETY LABEL_S						1	
11		40086287		COVER_PLATE						1	
12		TA0900502R0		PLUG D=9 L=4.5						2	
13		13301809		SUPPORT STUD						4	
14		40085967		CYLINDER_COVER_A						1	
15		40085969		SIDE_COVER						1	
16		PS0250202KH		SPRING PIN 2.5X20						2	
17		RO029180100		RUBBER RING						2	
18		SM4040855SP		SCREW						2	
19		13302203		SCREW						2	
20		40085971		THROAT_PLATE_SUPPORT						1	
21		MAL01129000		MAGNET						1	
22		SM4040855SP		SCREW						2	
23		40085970		ADJUSTING_COLLAR						1	
24		SM6030600SP		SCREW M3X0.5 L=6						1	
25		PH0300062C0		PIN						1	
26		40085988		GASKET						1	
27		SM1040860SP		SCREW						7	
28		40086002		CLOTH_PLATE_REAR						1	
29		40085977		CLOTH_PLATE_REAR_BOTTOM						1	
30		40085984		GASKET_A						1	
31		SM1030501SN		SCREW M3 L=5						6	
32		SM4041055SP		SCREW						4	
33		40085981		CYLINDER_COVER_RIGHT						1	
34		40085982		LATCH_SPRING_REAR						1	
35		SM6020350SP		SCREW M2 L=2.5						2	
36		40085983		LATCH_SPRING_FRONT						1	
37		SM6020350SP		SCREW M2 L=2.5						2	
38		40085974		STUD						2	
39		40086003		HINGE						1	
40		SM6051802TP		SCREW M5 L=18						2	
41		SM8040360TP		SCREW						1	
42		40086006		FRONT_COVER_ASSY						1	
43		WS0651310KP		SPRING WASHER 6.5X11X1.3						1	
44		SM4061255SP		SCREW M6 L=12						5	
45		TA0570601M0		PLUG D=5.7X6.1 L=6						1	
46		13302302		RUBBER BUMPER						1	

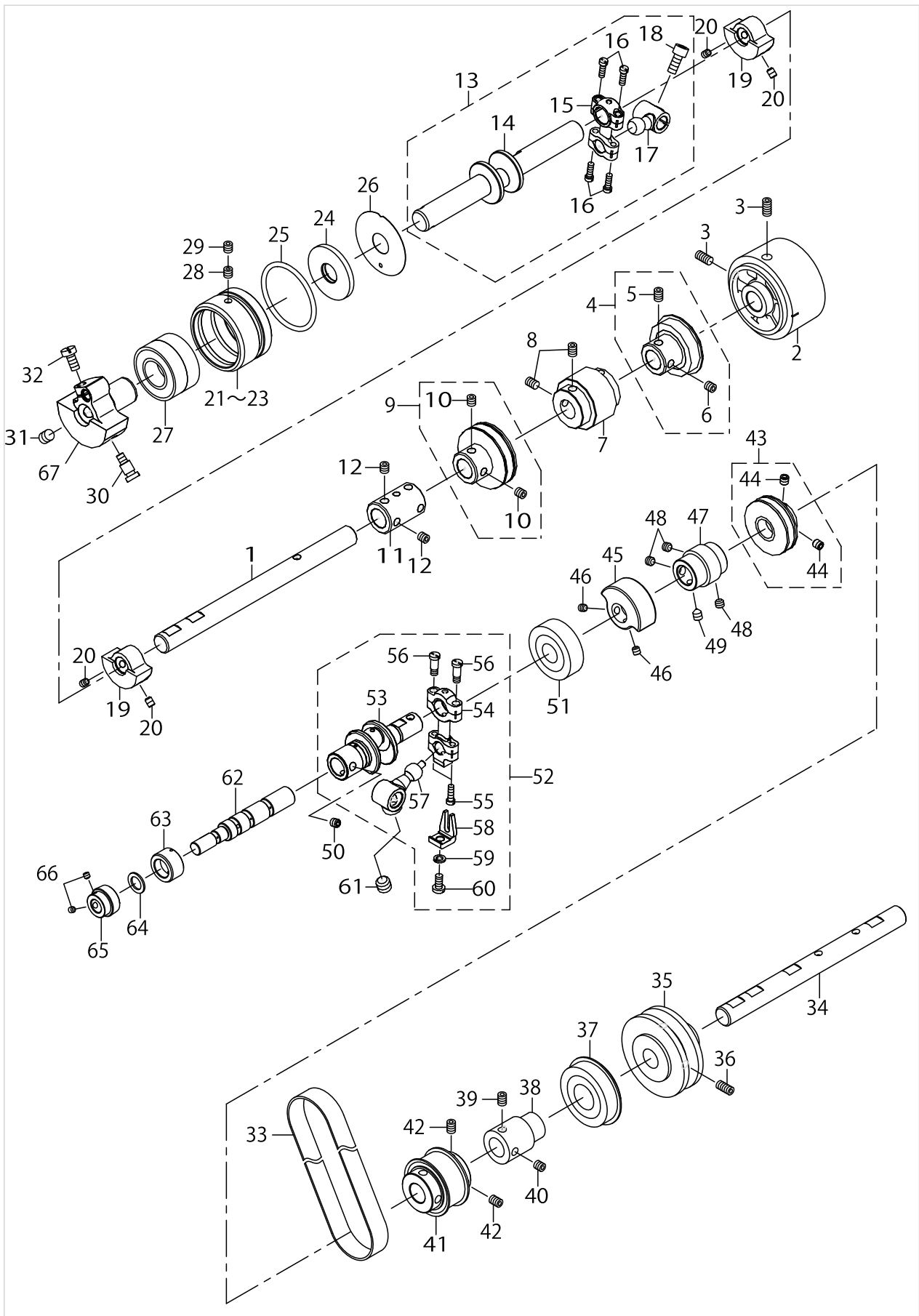
FRAME & MISCELLANEOUS COVER COMPONENTS (2)



FRAME & MISCELLANEOUS COVER COMPONENTS (2)

No.	Supply Code	Parts No.	Replacement	Parts name	Remarks	Choice	Step	Level	Cons	Qty	Rep. QTY
47		SM4040655SP		SCREW M4 L=6						1	
48		13402706		PIN FOR COVER						1	
49		SM8040360TP		SCREW						1	
50		13402003		LATCH SPRING						1	
51		13474200		PIN_ROLLER_L						1	
52		40085985		FRONT_COVER_SCREW_SHAFT						1	
53		CS0640863SH		THRUST COLLAR D=6.35 W=8						1	
54		WP0612066SP		WASHER 6.1X11X2						2	

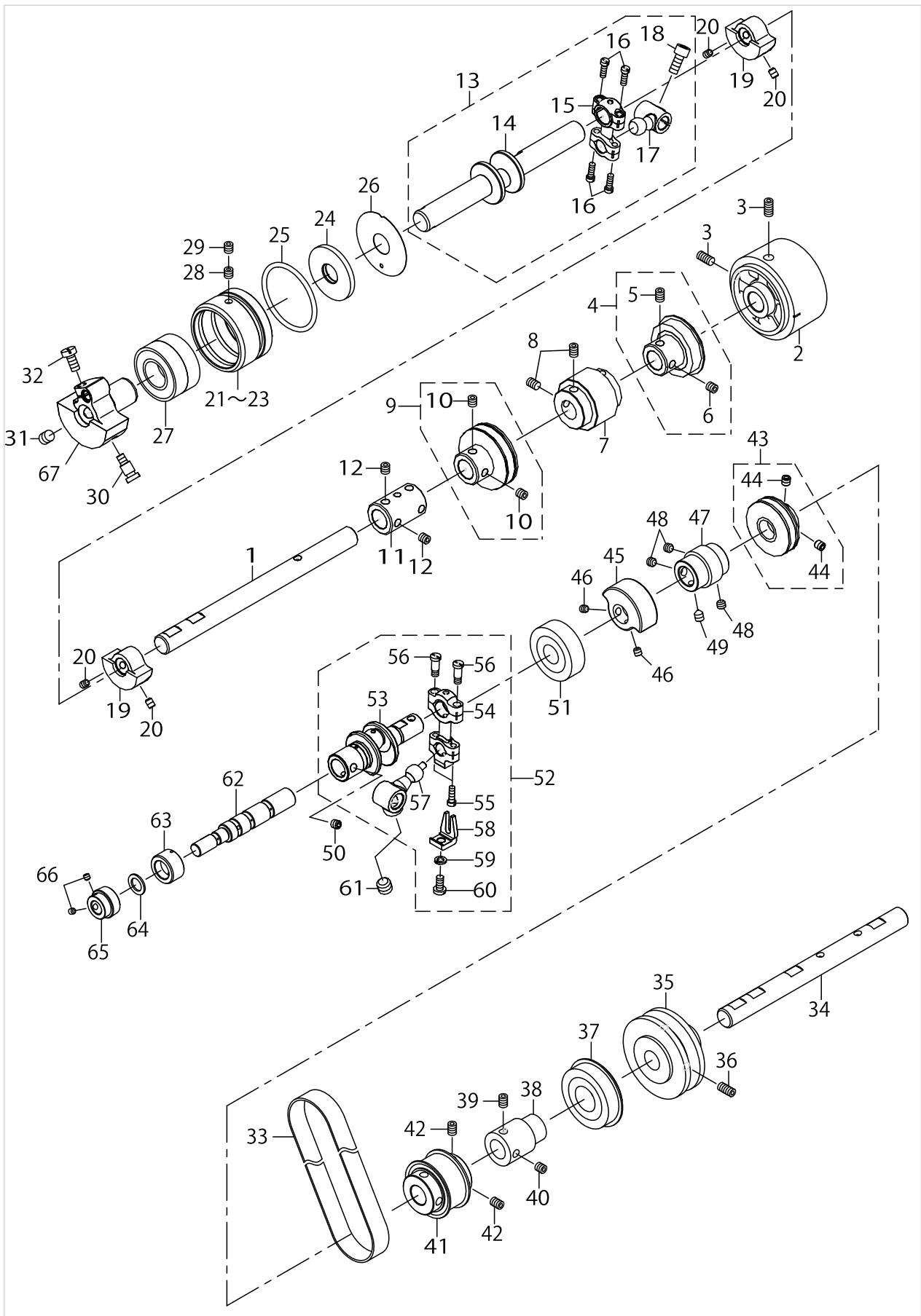
MAIN SHAFT COMPONENTS



MAIN SHAFT COMPONENTS

No.	Supply Code	Parts No.	Replacement	Parts name	Remarks	Choice	Step	Level	Cons	Qty	Rep. QTY
1		13307004		UPPER MAINSHAFT RIGHT						1	
2		13406608		UPPER_PULLEY						1	
3		SM8061212TP		SCREW M6X12						2	
4		13307251		BEARING ASSY A						1	
5		SM8060842TP		SCREW M6 L=8				*		1	
6		SM8060612TP		SCREW M6 L=6				*		1	
7		13307301		UMS_SPROCKET						1	
8		SM8060812TP		SCREW M6 L=8						4	
9		13307459		BEARING ASSY B						1	
10		SM8060612TP		SCREW M6 L=6				*		2	
11		13307509		JOINT						1	
12		SM8060612TP		SCREW M6 L=6						4	
13		40078283		UMS_LEFT_ROD_ASSY						1	
14	R	40078284	40078283	UPPER_MAINSHAFT_LEFT				*		1	1.00
15	R	13324009	13307657	ROD				*		1	1.00
16		13324108		SCREW				*		4	
17	R	13324207	13307657	CRANK				*		1	1.00
18		SM6061402TP		SCREW M6 L=14				*		1	
19		13408307		BALANCE_WEIGHT_UMS						2	
20		SM8060812TP		SCREW M6 L=8						4	
21		40078278		HOUSING_A						1	
22		40078279		HOUSING_B						1	
23		40078280		HOUSING_C						1	
24		40078282		OIL SEAL						1	
25		RO445300100		RUBBER RING						1	
26		40081965		OIL_BLOCK_PLATE						1	
27		SB120001900		BEARING						1	
28		SM8060842TP		SCREW M6 L=8						1	
29		SM8060612TP		SCREW M6 L=6						1	
30		13309208		SCREW_FOR_COUNTERWEIGHT						1	
31		SM8080812TP		SCREW M8X8						1	
32		SM6061200SP		SCREW						1	
33		13406905		TIMING_BELT						1	
34		40086009		LOWER_MAINSHAFT_RIGHT						1	
35		13406707		LOWER_PULLEY						1	
36		SM8061212TP		SCREW M6X12						2	
37		SB120002300		BEARING						1	
38		13309109		COUPLING_F						1	
39		SM8060842TP		SCREW M6 L=8						1	
40		SM8060612TP		SCREW M6 L=6						1	
41		13308309		LMS_SPROCKET						1	
42		SM8060812TP		SCREW M6 L=8						4	
43		13407457		BEARING_ASSY_E						1	
44		SM8060612TP		SCREW M6 L=6				*		2	
45		13408505		BALANCE_WEIGHT_LMS_2						1	
46		SM8050512TP		SCREW						2	

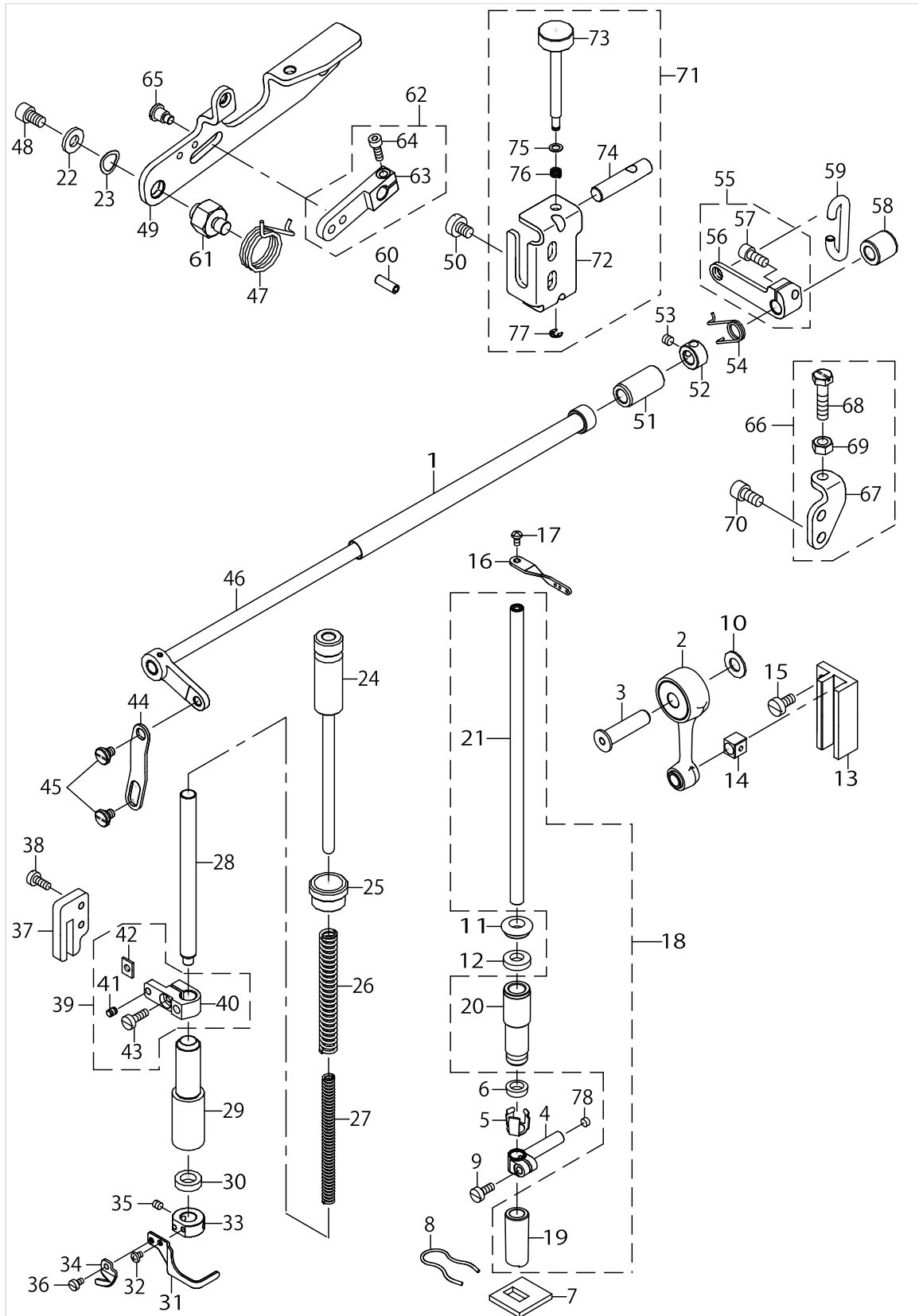
MAIN SHAFT COMPONENTS



MAIN SHAFT COMPONENTS

No.	Supply Code	Parts No.	Replacement	Parts name	Remarks	Choice	Step	Level	Cons	Qty	Rep. QTY
47		40086014		JOINT_GEAR						1	
48		SM8060552TP		SCREW M6 L=5						3	
49		SM8060842TP		SCREW M6 L=8						1	
50		SM8060552TP		SCREW M6 L=5						2	
51		SB115002300		BEARING						1	
52		13407259		CRANK_JOINT_ROD_ASSY						1	
53		13407200		CRANK JOINT				*		1	
54		13424205		ROD				*		1	
55		13324108		SCREW				*		2	
56		SD0550906TP		SHOULDER SCREW				*		2	
57		13424106		CRANK				*		1	
58	R	13337100	13308150	GUIDE LOOPER ROD				*		1	1.00
59		WS0510002KP		SPRING WASHER 5.1X9.2X1.3				*		1	
60		SM4051055SP		SCREW				*		1	
61		SM8550952TP		SCREW						1	
62		40086011		MAIN_SHAFT_LEFT						1	
63		40086010		BUSHING_MAINSHAFT						1	
64		10111003		THRUST WASHER 1.2						1	
65		40086015		FEED_DRIVE_GEAR						1	
66		SM8040412TP		SET SCREW M4 L=4						2	
67	D	40078277		COUNTER_WEIGHT						1	

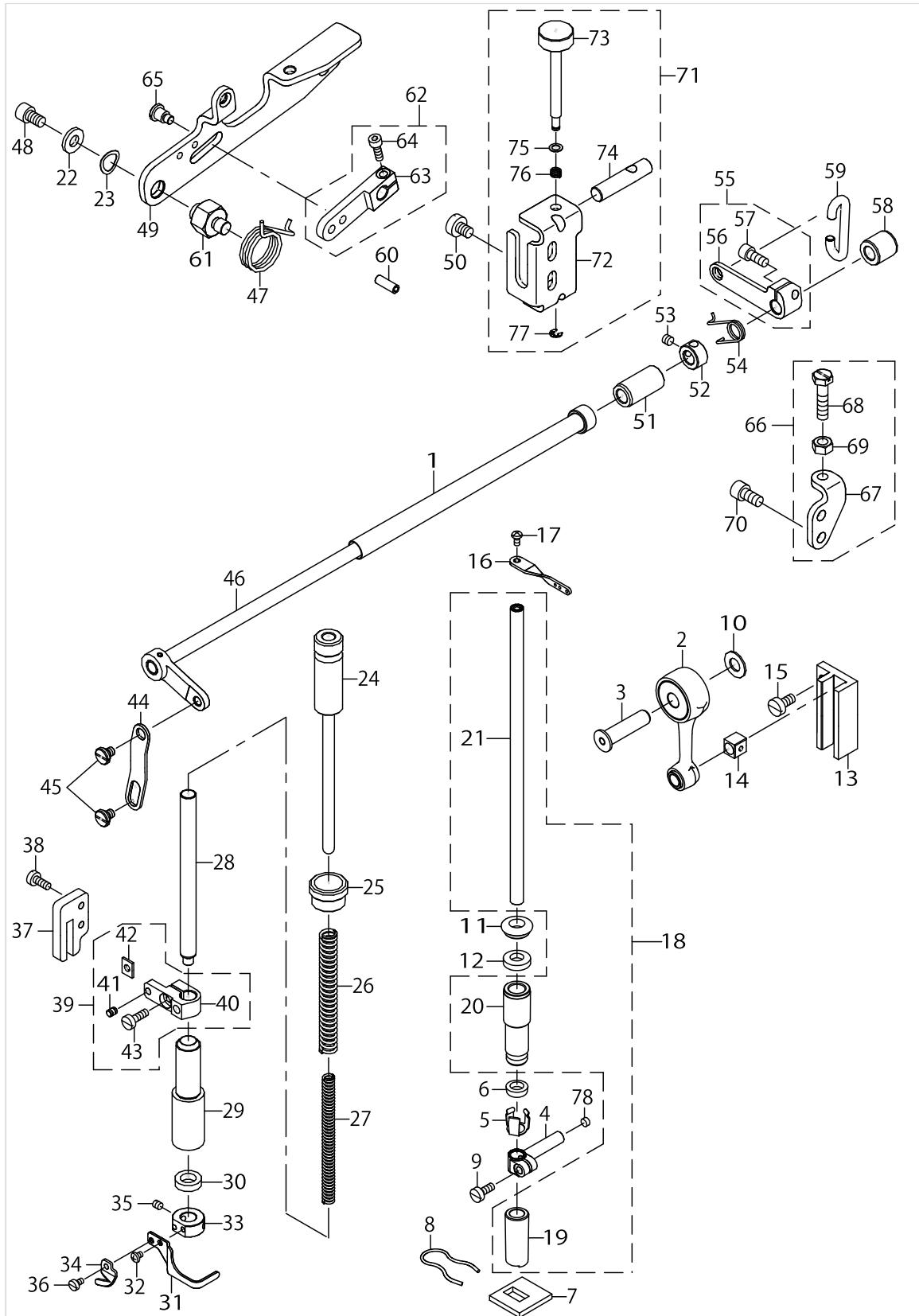
NEEDLE BAR & PRESSER COMPONENTS



NEEDLE BAR & PRESSER COMPONENTS

No.	Supply Code	Parts No.	Replacement	Parts name	Remarks	Choice	Step	Level	Cons	Qty	Rep. QTY
1		40078320		PIPE_ASSY						1	
2		40078285		ASSY_NEEDLE_CRANK_ROD						1	
3		40078290		NEEDLE_CRANK						1	
4		40078292		NEEDLE_BAR_CLAMP						1	
5		40078306		BUSHING_NB_U_PRESSER_B						1	
6		40078303		BUSHING_NB_U_FELT_B					☆	1	
7		40078301		BUSHING_NB_L_FELT						1	
8		40078304		BUSHING_NB_L_PRESSER						1	
9		SM6041000SP		SCREW M4 L=10						1	
10		40078291		WASHER						1	
11		40078305		BUSHING_NB_U_PRESSER_A					☆	1	
12		40078302		BUSHING_NB_U_FELT_A					☆	1	
13		40078294		NEEDLE_BAR_GUIDE						1	
14		40078295		SLIDE_BLOCK_A						1	
15		SM6051000SP		SCREW						3	
16		13326806		NEEDLE BAR EYELET						1	
17		SM4030655SP		SCREW						1	
18		40078317		ASSY BUSHING NB DRY					☆	1	
19		40078299		BUSHING_NB_LOWER				*	☆	1	
20		40078300		BUSHING_NB_UPPER				*	☆	1	
21	R	40078296	40078317	NEEDLE BAR ASSY DRY				*	☆	1	1.00
22		WP0702026SP		WASHER 7X15X2						1	
23		WZ1052010KP		WAVED WASHER						1	
24		40070573		ADJ SCREW P B ASSY						1	
25	R	13313101	13313068	LOCKING NUT						1	1.00
26		13313309		SPRING PRESSER BAR A						1	
27		13313408		SPRING PRESSER BAR B						1	
28		40070559		PRESSER BAR						1	
29		13313705		BUSHING PRESSER BAR						1	
30		13315908		OIL SEAL						1	
31		40018259		FINGER_GUARD						1	
32		SM4030455SP		SCREW						1	
33		13313606		COLLAR						1	
34		13316302		THREAD_TRIMMER						1	
35		SM8040410TP		SCREW						2	
36		SM6030500SN		SCREW M3 L=5						1	
37		13313804		GUIDE PLATE						1	
38		SM6041000SP		SCREW M4 L=10						2	
39		13313952		P_B_BRACKET_ASSY						1	
40	R	13313903	13313952	PRESSER BAR BRACKET				*		1	1.00
41		13316203		P_B_BRACKET_PIN				*		1	
42		13333208		WASHER				*		1	
43		SM6041200SP		SCREW M4 L=12				*		1	
44		13314109		LINK						1	
45		SD0700206TP		SHOULDER SCREW						2	
46		40078307		ASSY_LIFTER_SHAFT_DRY						1	

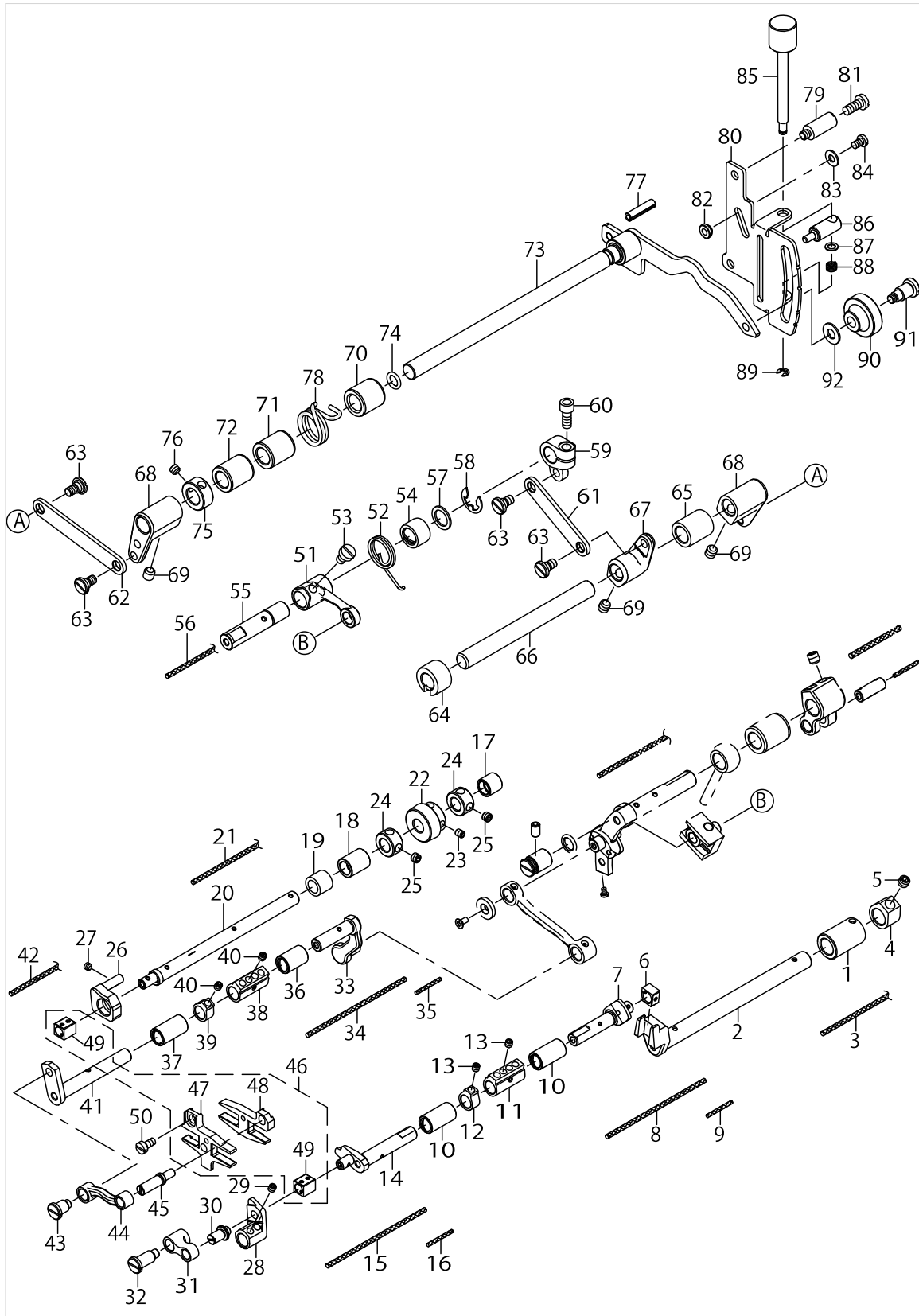
NEEDLE BAR & PRESSER COMPONENTS



NEEDLE BAR & PRESSER COMPONENTS

No.	Supply Code	Parts No.	Replacement	Parts name	Remarks	Choice	Step	Level	Cons	Qty	Rep. QTY
47		13315205		SPRING LIFTER LEVER						1	
48		SM6061002TP		SCREW M6 L=10						1	
49		13315007		LIFTER LEVER						1	
50		SM6060800SP		SCREW M6 L=8						1	
51		13314406		BUSHING LIFTER FRONT						1	
52		CS0800881TP		THRUST COLLAR						1	
53		SM8050412TP		SCREW M5 L=4						2	
54		13314802		SPRING PF LIFT						1	
55		13314752		LIFTER_SHAFT_LEVER_ASSY						1	
56		13314703		LIFTER SHAFT LEVER				*		1	
57		SM6051202TP		SCREW M5X0.8 L=12				*		1	
58		13314505		BUSHING LIFTER REAR						1	
59		13314901		LIFTER HOOK						1	
60		PS0500142KP		SPRING PIN						1	
61		13315106		LIFTER LEVER HOLDER						1	
62		13315353		TENS_RELEASE_LEVER_ASSY						1	
63		13315304		TENSION RELEASE LEVER				*		1	
64		SM6041202TP		SCREW M4X0.7 L=12				*		1	
65		SD0700586TP		SHOULDER SCREW						1	
66		13315551		STOPPER_ASSY						1	
67		13315502		LIFTER LEVER STOPPER				*		1	
68		SM9062550TP		SCREW				*		1	
69		NM6060001CP		NUT M6				*		1	
70		SM6061202TP		SCREW M6 L=12						2	
71		13315650		MINUTE_LIFTING_ASSY						1	
72		13315601		BRACKET				*		1	
73		13315700		SCREW				*		1	
74		13315809		SLIDER				*		1	
75		WP0460556SD		WASHER 4.6X7.5X0.5				*		1	
76		13123302		ADJUSTING SPRING				*		1	
77		RE0300000K0		E-RING 3				*		1	
78		40078293		PLUG4.6						1	

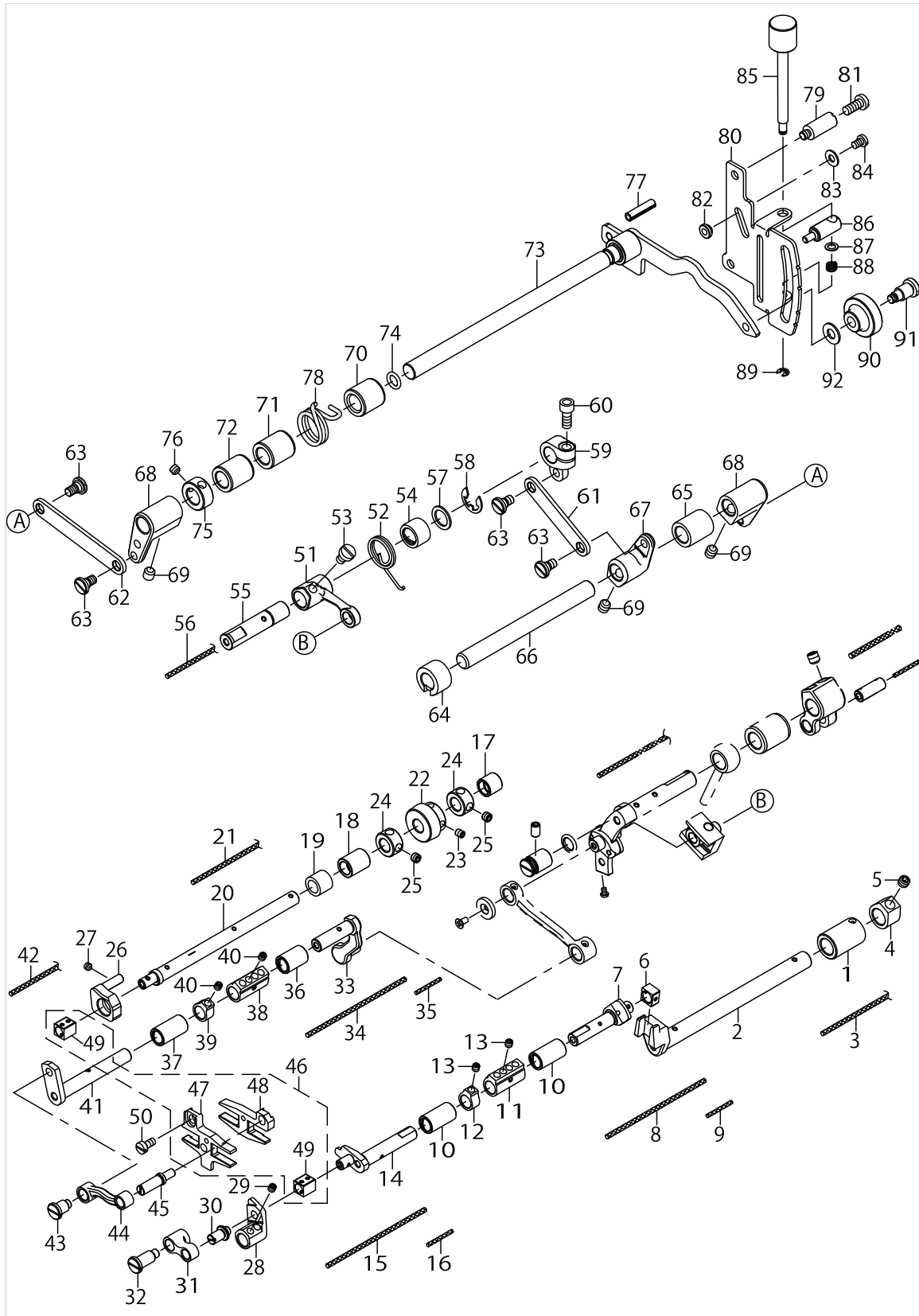
FEED DRIVE COMPONENTS (1)



FEED DRIVE COMPONENTS (1)

No.	Supply Code	Parts No.	Replacement	Parts name	Remarks	Choice	Step	Level	Cons	Qty	Rep. QTY
1		40086057		BUSHING_LEFT						1	
2		40086074		FEED_LIFT_SHAFT_RIGHT						1	
3		CQ252000000		OIL WICK						.25	
4		40086046		COLLAR						1	
5		SM8060552TP		SCREW M6 L=5						1	
6		40086076		LIFTER_SLIDER_BLOCK						1	
7		40086071		FEED_LIFT_SHAFT_FRONT_R						1	
8		CQ252000000		OIL WICK						.08	
9		CQ200000000		OIL WICK						.02	
10		40086051		BUSHING_FEED_CYLINDER_BED						2	
11		40086085		JOINT						1	
12		40086073		COLLAR						1	
13		SM8040412TP		SET SCREW M4 L=4						5	
14		40086062		FEED_LIFT_SHAFT_FRONT_L						1	
15		CQ252000000		OIL WICK						.11	
16		CQ200000000		OIL WICK						.03	
17		40086064		BUSHING_LIFTER_REAR_RIGHT						1	
18		40086066		BUSHING_LIFTER_REAR						1	
19	D	GBR01166000		NEEDLE BEARING 1						1	
20		40086021		FEED_REAR_SHAFT						1	
21		CQ252000000		OIL WICK						.25	
22		40086016		FEED_DRIVEN_GEAR						1	
23		SM8040512TP		SCREW						2	
24		CS0800881TP		THRUST COLLAR						2	
25		SM8050412TP		SCREW M5 L=4						4	
26		40086026		FEED_BAR_GUIDE						1	
27		SM8040312TP		SCREW M4 L=3						1	
28		40086055		MAIN_FEED_SHAFT_LEVER						1	
29		SM8040412TP		SET SCREW M4 L=4						2	
30		40086039		MAIN_FEED_PIN						1	
31		40086053		MAIN_FEED_LINK						1	
32		SD0701186TH		SHOULDER SCREW D=7 H=11.8						1	
33		40086054		DIFF_FEED_SHAFT_RIGHT						1	
34		CQ252000000		OIL WICK						.08	
35		CQ200000000		OIL WICK						.02	
36		40086063		BUSHING_FEED_CYLINDER_BED						1	
37		40086051		BUSHING_FEED_CYLINDER_BED						1	
38		40086085		JOINT						1	
39		40086073		COLLAR						1	
40		SM8040412TP		SET SCREW M4 L=4						5	
41		40086056		DIFF_FEED_SHAFT_LEFT						1	
42		CQ252000000		OIL WICK						.12	
43		SD0700716TH		SHOULDER SCREW D=7 H=7.1						1	
44		40086084		DIFF_FEED_LINK						1	
45		40086081		DIFF_FEED_DOG_PIN					☆	1	
46		40086091		FEED_BAR_ASSY					☆	1	

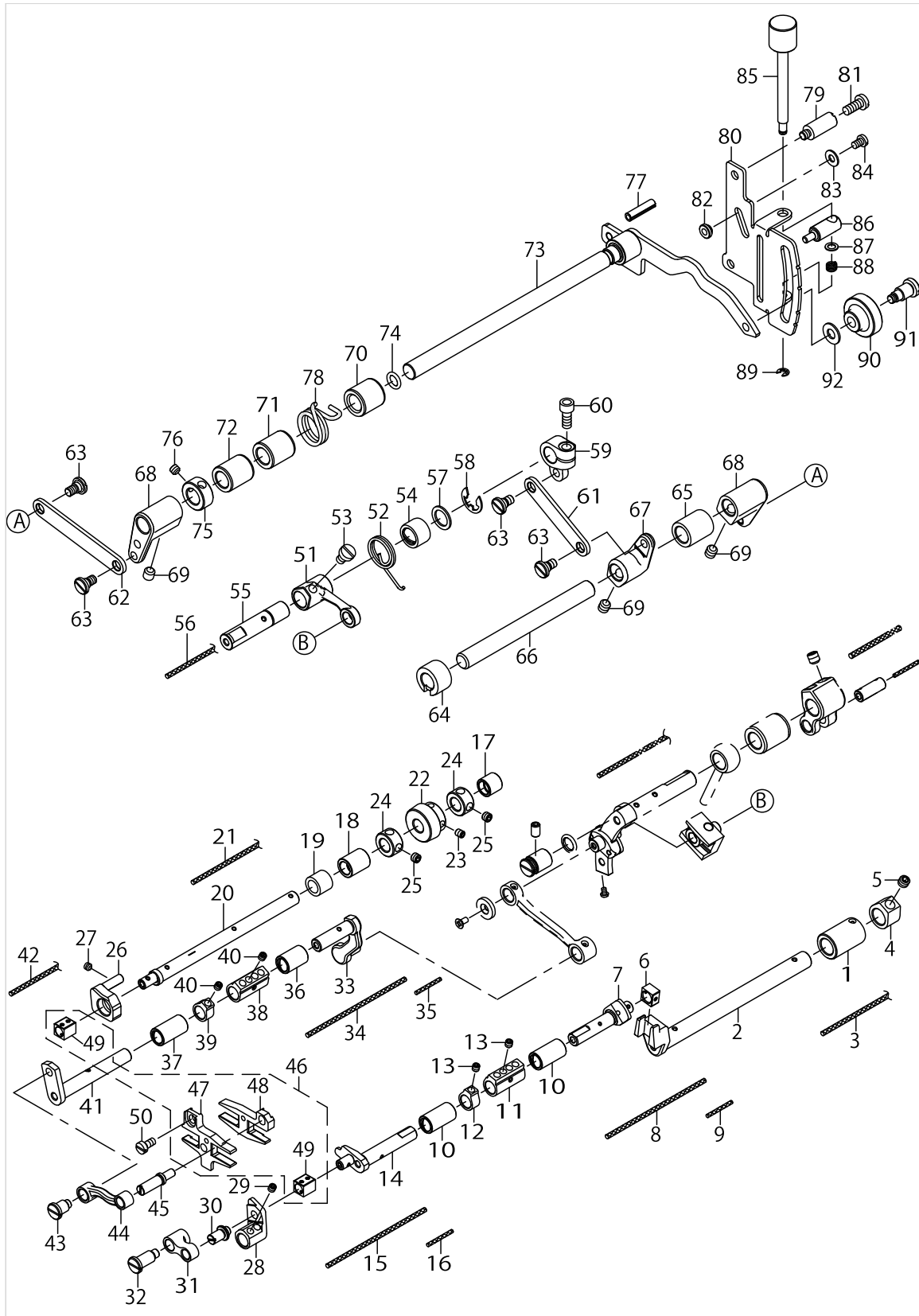
FEED DRIVE COMPONENTS (1)



FEED DRIVE COMPONENTS (1)

No.	Supply Code	Parts No.	Replacement	Parts name	Remarks	Choice	Step	Level	Cons	Qty	Rep. QTY
47	R	40086052	40086091	MAIN_FEED_BAR				*	☆	1	1.00
48	R	40086058	40086091	DIFF_FEED_BAR				*	☆	1	1.00
49	R	40086038	40086091	SLIDER_BLOCK				*	☆	2	1.00
50		SM6040800SP		SCREW						1	
51		40086079		DIFF_FEED_ADJUST_LEVER						1	
52		40086089		SPRING						1	
53		SM6050800SP		SCREW M5 L=8						1	
54		40086019		BUSHING_DIFF_FEE- D_ADJUST_SHAFT						1	
55		40086047		DIFF_FEED_ADJUST_SHAFT						1	
56		CQ252000000		OIL WICK						.15	
57		WP1021026SH		WASHER						1	
58		RE0800000K0		E-SHAPED SNAP RING (8MM)						1	
59		40086037		DIFF_FEED_ADJUST_LEVER_2						1	
60		SM6051202TP		SCREW M5X0.8 L=12						1	
61		40086030		DIFF_ADJUST_LINK2						1	
62		40086028		DIFF_ADJUST_LINK						1	
63		31013808		HINGE SCREW						4	
64		40086092		BUSHING_DIFF_FEED_ADJUST						1	
65		13414701		BUSHING FEED ADJ						1	
66		40086027		DIFF_FEED_ADJUST_SHAFT						1	
67		40086031		DIFF_FEED_ADJUST_LEVER_3						1	
68		40086029		DIFF_FEED_ADJUST_LEVER_4						2	
69		SM8060612TP		SCREW M6 L=6						6	
70		13415104		BUSHING FEED ADJ						1	
71		13409305		BUSHING_FEED_ADJ						1	
72		13414701		BUSHING FEED ADJ						1	
73		40086032		INDICATOR_ASSY						1	
74		RO068190100		RUBBER RING						1	
75		CS1000881TP		THRUST COLLAR						1	
76		SM8050412TP		SCREW M5 L=4						2	
77		PS0500202KP		SPRING PIN 5X20						1	
78		40040208		TORSION_SPRING						1	
79		40086036		STUD						2	
80		40086035		PLATE_DIFF_ADJ_LEVER						1	
81		SM4050655SP		SCREW M5 L=6						2	
82		13321203		STOPPER DIFF ADJ						1	
83		WP0450826SC		WASHER 4.5X10X0.8						1	
84		SM4040655SN		SCREW M4X0.7 L=6						1	
85		13417100		SCREW						1	
86		40086099		PIN_DIFF_ADJ						1	
87		WP0460556SD		WASHER 4.6X7.5X0.5						1	
88		13123302		ADJUSTING SPRING						1	
89		RE0300000K0		E-RING 3						1	
90		13217500		DIFFERENTIAL FEED LOCK NUT						1	
91		13217401		DIFFERENTIAL FEED HINGE SCREW						1	

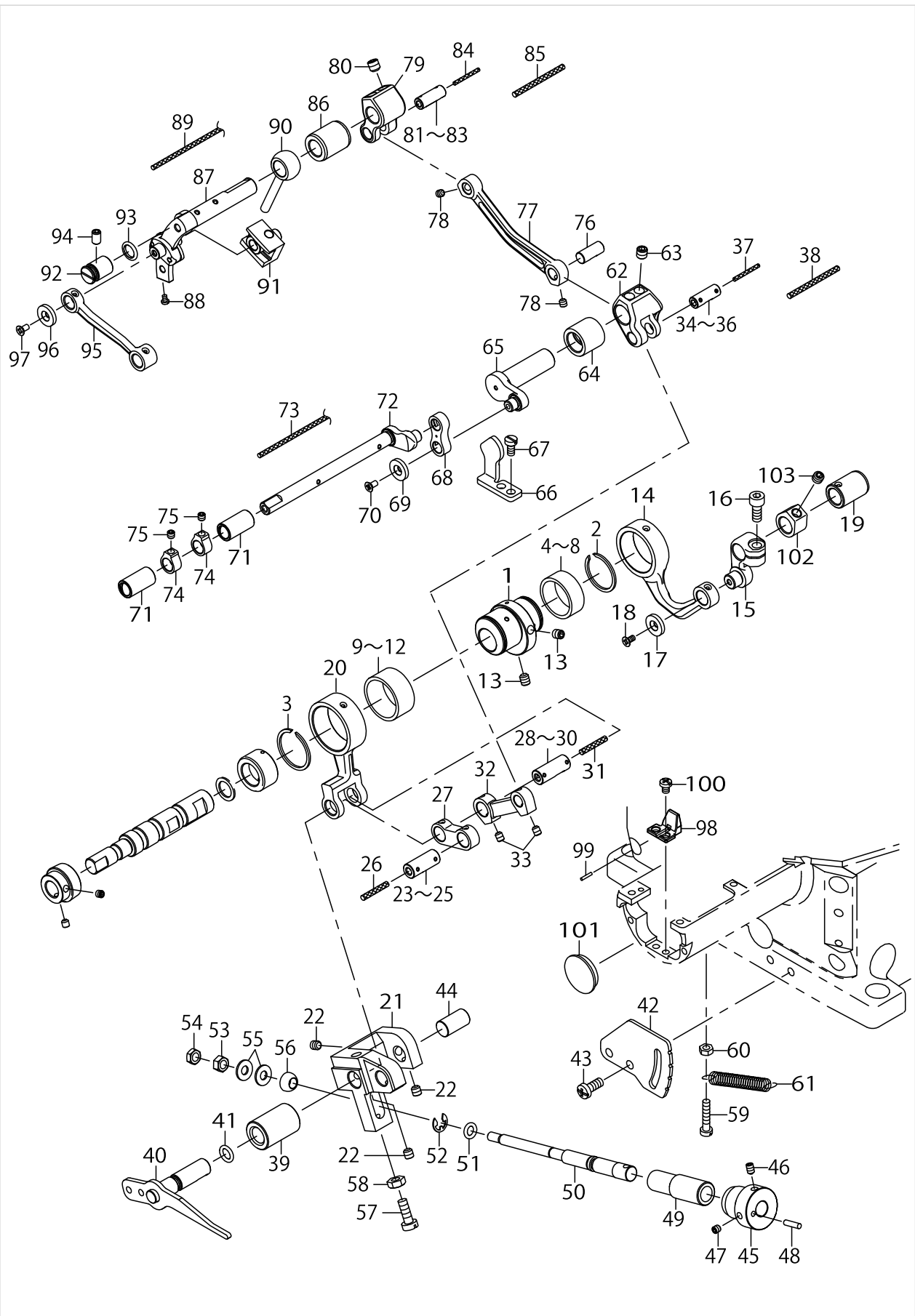
FEED DRIVE COMPONENTS (1)



FEED DRIVE COMPONENTS (1)

No.	Supply Code	Parts No.	Replacement	Parts name	Remarks	Choice	Step	Level	Cons	Qty	Rep. QTY
92		WP0621016SD		WASHER 6.2X13X1						1	

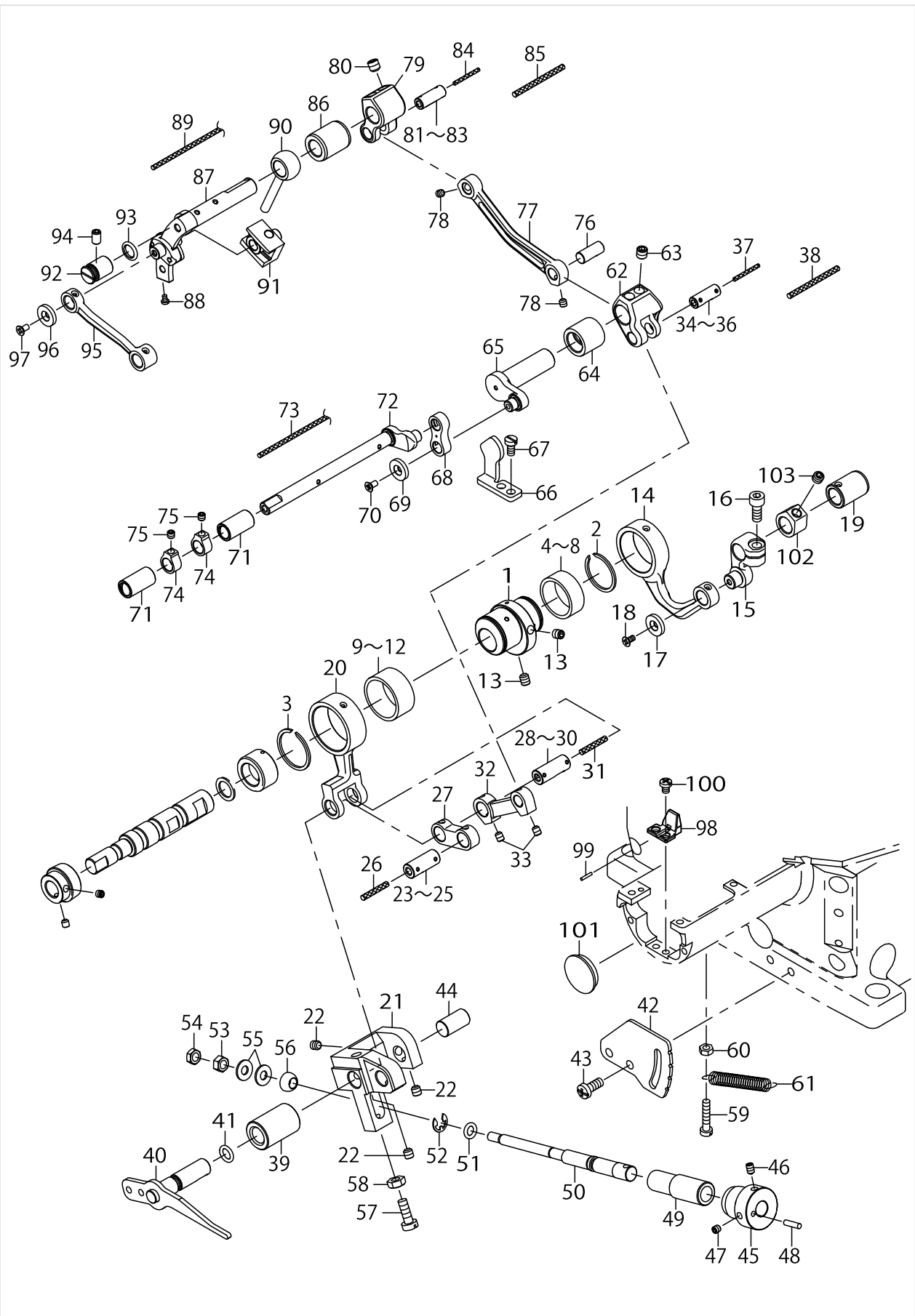
FEED DRIVE COMPONENTS (2)



FEED DRIVE COMPONENTS (2)

No.	Supply Code	Parts No.	Replacement	Parts name	Remarks	Choice	Step	Level	Cons	Qty	Rep. QTY
1		40086017		FEED_ECCENTRIC						1	
2		RC2071213KP		C-RING 22 (20.7)						1	
3		RC2251213KP		C-RING						1	
4		B1609804A00		BUSHING	SELECTIVE PARTS					1	
5		B1609804B00		NEEDLE BEARING	SELECTIVE PARTS					1	
6		B1609804C00		BEARING	SELECTIVE PARTS					1	
7		B1609804D00		BEARING	SELECTIVE PARTS					1	
8		B1609804E00		BEARING	SELECTIVE PARTS					1	
9		B1426180A00		NEEDLE BEARING (A)	SELECTIVE PARTS					1	
10		B1426180B00		NEEDLE BEARING (B)	SELECTIVE PARTS					1	
11		B1426180C00		NEEDLE BEARING (C)	SELECTIVE PARTS					1	
12		B1426180D00		NEEDLE BEARING (D)	SELECTIVE PARTS					1	
13		SM8050612TP		SCREW M5X6						2	
14		40086020		FEED_LIFT_ROD						1	
15		40086083		FEED_LIFT_LEVER						1	
16		SM6051202TP		SCREW M5X0.8 L=12						1	
17		13332606		WASHER TAKE UP						1	
18		SM1030601SP		SCREW M3 L=6						1	
19		40086023		BUSHING_RIGHT						1	
20		40086075		CRANK_ROD						1	
21		13415708		FEED_ADJ_BLOCK						1	
22		SM8050512TP		SCREW						5	
23		13410600		FEED ADJ LINK PIN A	SELECTIVE PARTS					1	
24		13410709		FEED ADJ LINK PIN B	SELECTIVE PARTS					1	
25		13410808		FEED ADJ LINK PIN C	SELECTIVE PARTS					1	
26		CQ303000000		OIL WICK						.07	
27		13317300		ADJUST LINK						1	
28		13323308		FEED_ADJ_LINK_PIN_A	SELECTIVE PARTS					1	
29		13323407		FEED_ADJ_LINK_PIN_B	SELECTIVE PARTS					1	
30		13323506		FEED_ADJ_LINK_PIN_C	SELECTIVE PARTS					1	
31		CQ303000000		OIL WICK						.07	
32		40086072		MAIN_ADJUST_LINK						1	
33		SM8040512TP		SCREW						2	
34		13318704		MAIN FEED CRANK PIN A	SELECTIVE PARTS					1	
35		13318803		MAIN FEED CRANK PIN B	SELECTIVE PARTS					1	
36		13318902		MAIN FEED CRANK PIN C	SELECTIVE PARTS					1	
37		CQ202000000		OIL WICK						.02	
38		CQ303000000		OIL WICK						.04	
39		40086040		BUSHING_MAIN_FEED_ADJUST						1	
40		40086042		INDICATOR_ASSY						1	
41		RO068190100		RUBBER RING						1	
42		13411202		PLATE MAIN FEED ADJ						1	
43		SM4051255SP		SCREW.,M5 L=12.						2	
44		13415906		SHAFT_FEED_ADJ_BLOCK						1	
45		13318001		KNOB FEED ADJUST						1	
46		SM8040602TP		SCREW M4X0.7 L=6						1	

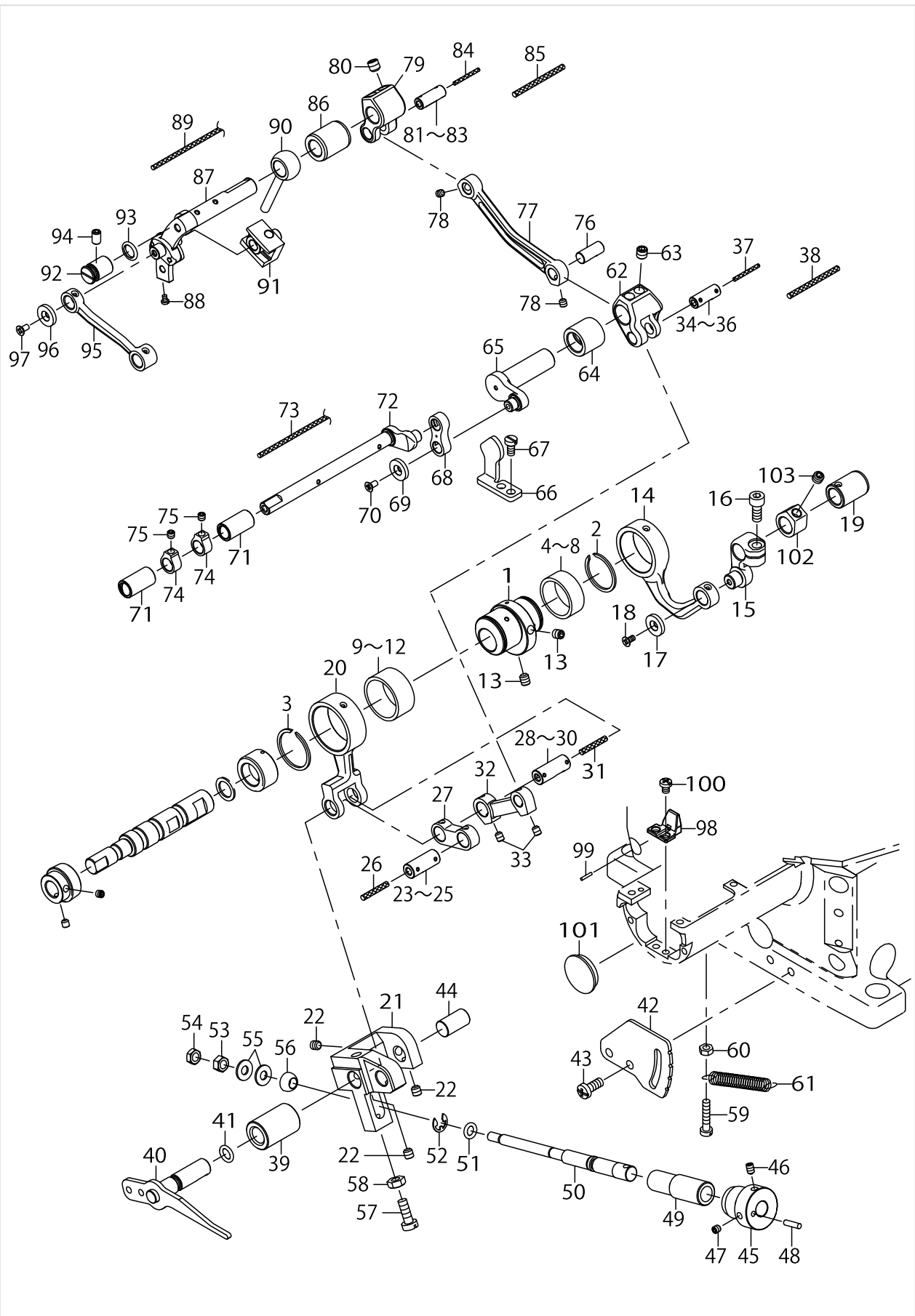
FEED DRIVE COMPONENTS (2)



FEED DRIVE COMPONENTS (2)

No.	Supply Code	Parts No.	Replacement	Parts name	Remarks	Choice	Step	Level	Cons	Qty	Rep. QTY
47		SM8040412TP		SET SCREW M4 L=4						1	
48		B3215470000		PIN						1	
49		13411400		BUSHING FEED ADJ						1	
50		40086044		SHAFT_FEED_ADJUST						1	
51		RO055200100		RUBBER RING						1	
52		RE0500000K0		E-RING						1	
53		NM6050001SC		NUT M5						1	
54		NM6050003SC		NUT M5X0.8						1	
55		13120605		WASHER						2	
56		13318308		STOPPER FEED ADJUST						1	
57		SM6051400SP		SCREW						1	
58		NM6050001SP		NUT M5						1	
59		SM6042000SP		SCREW						1	
60		NM6040001SP		NUT M4X0.7						1	
61		B2546232000		PRESSURE SPRING						1	
62		40086078		FEED_CRANK						1	
63		SM8060612TP		SCREW M6 L=6						2	
64		40086018		BUSHING_MAIN_FEED						1	
65		40086041		MAIN_FEED_SHAFT						1	
66		40086065		MAIN_FEED_SHAFT_GUIDE						1	
67		SM6040800SP		SCREW						2	
68		40086077		MAIN_FEED_LINK						1	
69		13332606		WASHER TAKE UP						1	
70		SM1030601SP		SCREW M3 L=6						1	
71		40086051		BUSHING_FEED_CYLINDER_BED						2	
72		40086082		MAIN_FEED_SHAFT_LEFT						1	
73		CQ252000000		OIL WICK						.22	
74		40086073		COLLAR						2	
75		SM8040412TP		SET SCREW M4 L=4						2	
76		13409909		DIFF_FEED_CRANK_PIN						1	
77		40086087		DIFF_FEED_DRIVE_LINK						1	
78		SM8040412TP		SET SCREW M4 L=4						2	
79		40086059		DIFF_FEED_DRIVE_LEVER						1	
80		SM8060612TP		SCREW M6 L=6						2	
81		13318704		MAIN FEED CRANK PIN A	SELECTIVE PARTS					1	
82		13318803		MAIN FEED CRANK PIN B	SELECTIVE PARTS					1	
83		13318902		MAIN FEED CRANK PIN C	SELECTIVE PARTS					1	
84		CQ202000000		OIL WICK						.02	
85		CQ303000000		OIL WICK						.04	
86		40086022		BUSHING_DIFF_FEED_SHAFT						1	
87		40086100		DIFF_FEED_ARM_ASSY						1	
88		SM4850455SP		SCREW						1	
89		CQ252000000		OIL WICK						.12	
90		40086061		GUIDE						1	
91		40086093		SLIDER_GUIDE_ASSY						1	
92		40086080		DIFF_FEED_ARM_GUIDE						1	

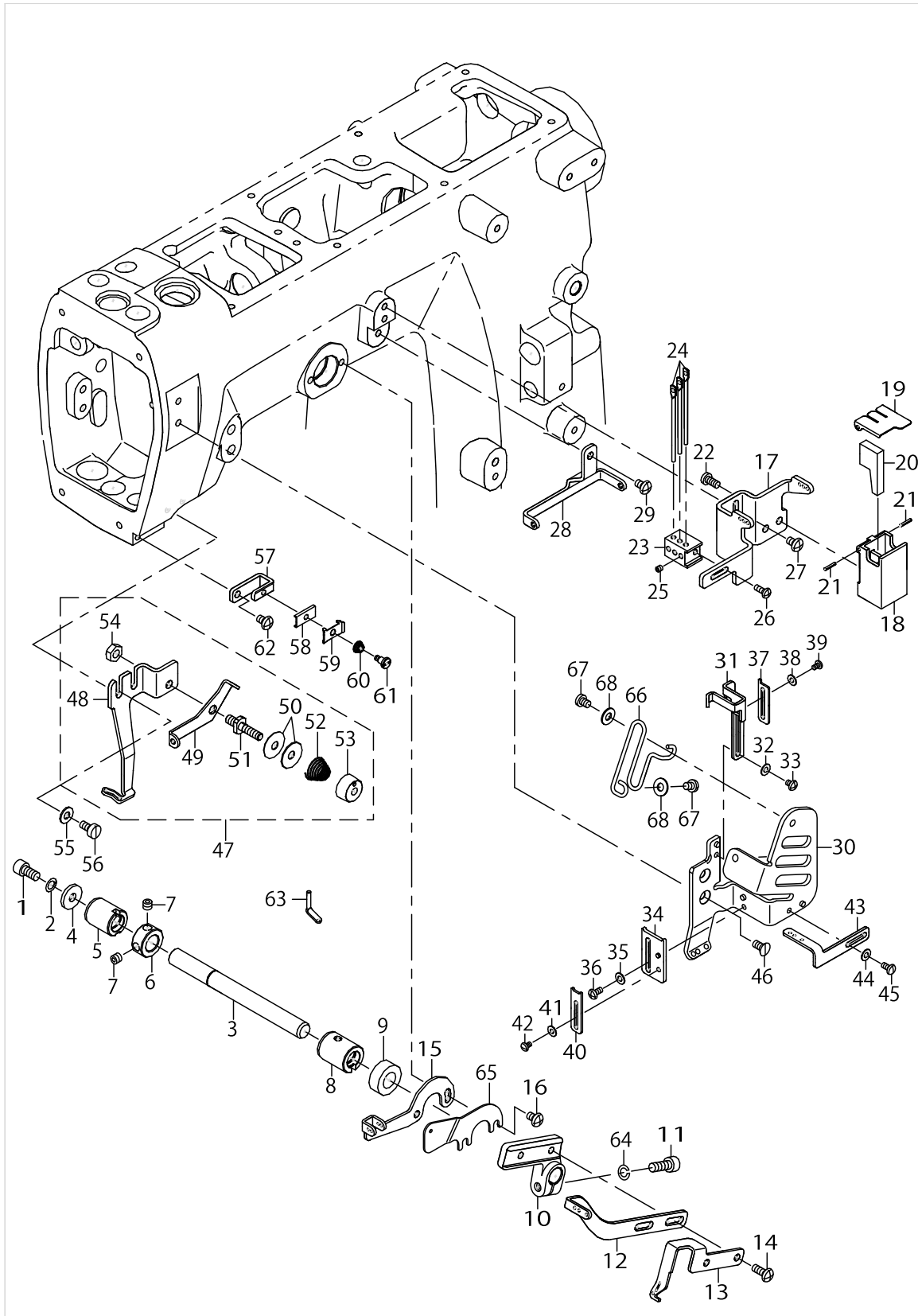
FEED DRIVE COMPONENTS (2)



FEED DRIVE COMPONENTS (2)

No.	Supply Code	Parts No.	Replacement	Parts name	Remarks	Choice	Step	Level	Cons	Qty	Rep. QTY
93		RO078190100		RUBBER RING						1	
94		SM8050812TP		SCREW M5X8						1	
95		40086068		DIFF_FEED_LINK						1	
96		13332606		WASHER TAKE UP						1	
97		SM1030601SP		SCREW M3 L=6						1	
98		40086088		FELT HOLDER						1	
99		PS0150082KH		SPRING PIN						1	
100		SM4040555SP		SCREW						2	
101		TA2050416R0		RUBBER PLUG						1	
102		40086046		COLLAR						1	
103		SM8060552TP		SCREW M6 L=5						1	

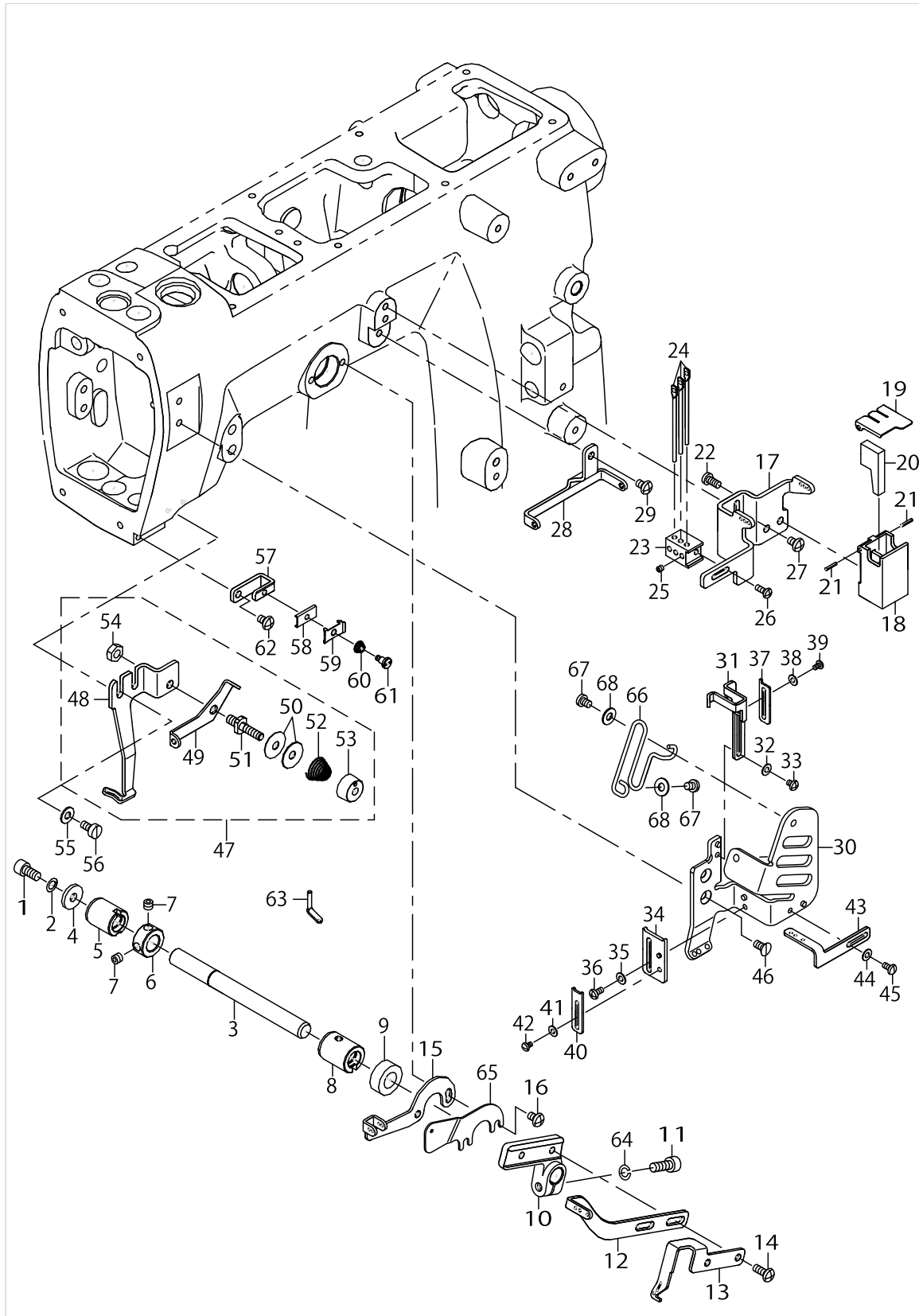
THREAD TAKE-UP LEVER COMPONENTS



THREAD TAKE-UP LEVER COMPONENTS

No.	Supply Code	Parts No.	Replacement	Parts name	Remarks	Choice	Step	Level	Cons	Qty	Rep. QTY
1		SM6051002TP		SCREW M5X0.8 L=10						1	
2		WS0510002KP		SPRING WASHER 5.1X9.2X1.3						1	
3		13324306		SHAFT						1	
4		WP0522016SH		WASHER						1	
5		13324504		BUSHING REAR						1	
6		CS1000881TP		THRUST COLLAR						1	
7		SM8050412TP		SCREW M5 L=4						2	
8		13324603		BUSHING FRONT						1	
9		23612609		FEED CHANGING SHAFT OIL SEAL						1	
10		13324702		HOLDER TAKE UP EYELET						1	
11		SM6051402TP		SCREW M5X0.8 L=14						1	
12		13324801		NDL THREAD TAKE UP						1	
13		13324900		UP LPR THREAD TAKE UP						1	
14		SM4041055SP		SCREW						2	
15		13325006		THREAD GUIDE						1	
16		SM4040655SP		SCREW M4 L=6						2	
17		13325105		THREAD TENSION GUIDE						1	
18		13348008		TANK						1	
19		B9213850000		SILICONE OIL TANK COVER, UPPER						1	
20		B9214850000		HEAT REMOVING FELT						1	
21		PS0150082KH		SPRING PIN						2	
22		ST4040851SN		TAPPING SCREW M4X8						2	
23		13325204		HOLDER						1	
24	R	30391601	40074316	NEEDLE THREAD EYELET						3	1.00
25		SM8030312TP		SCREW M3 L=3						3	
26		SM4030855SN		SCREW M3 L=8.0						1	
27		SM4040655SP		SCREW M4 L=6						2	
28		13325402		THREAD GUIDE						1	
29		SM4040655SP		SCREW M4 L=6						1	
30		40085996		TAKE_UP_COVER						1	
31		13325709		NDL THD STRIKE OFF						1	
32		WP0320501SC		WASHER M3						1	
33		SM4030455SP		SCREW						1	
34		13325600		THD STRIKE OFF PLATE						1	
35		WP0320501SC		WASHER M3						1	
36		SM4030655SP		SCREW						1	
37		13326905		NDL THD STRIKE OFF R						1	
38		WP0280501SC		WASHER M2.6						1	
39		SM4850455SP		SCREW						1	
40		13327002		THD STRIKE OFF PLATE R						1	
41		WP0280501SC		WASHER M2.6						1	
42		SM4850455SP		SCREW						1	
43		13327101		THREAD_GUIDE						1	
44		WP0320501SC		WASHER M3						1	
45		SM4030655SP		SCREW						1	
46		SM1040800SP		SCREW						2	

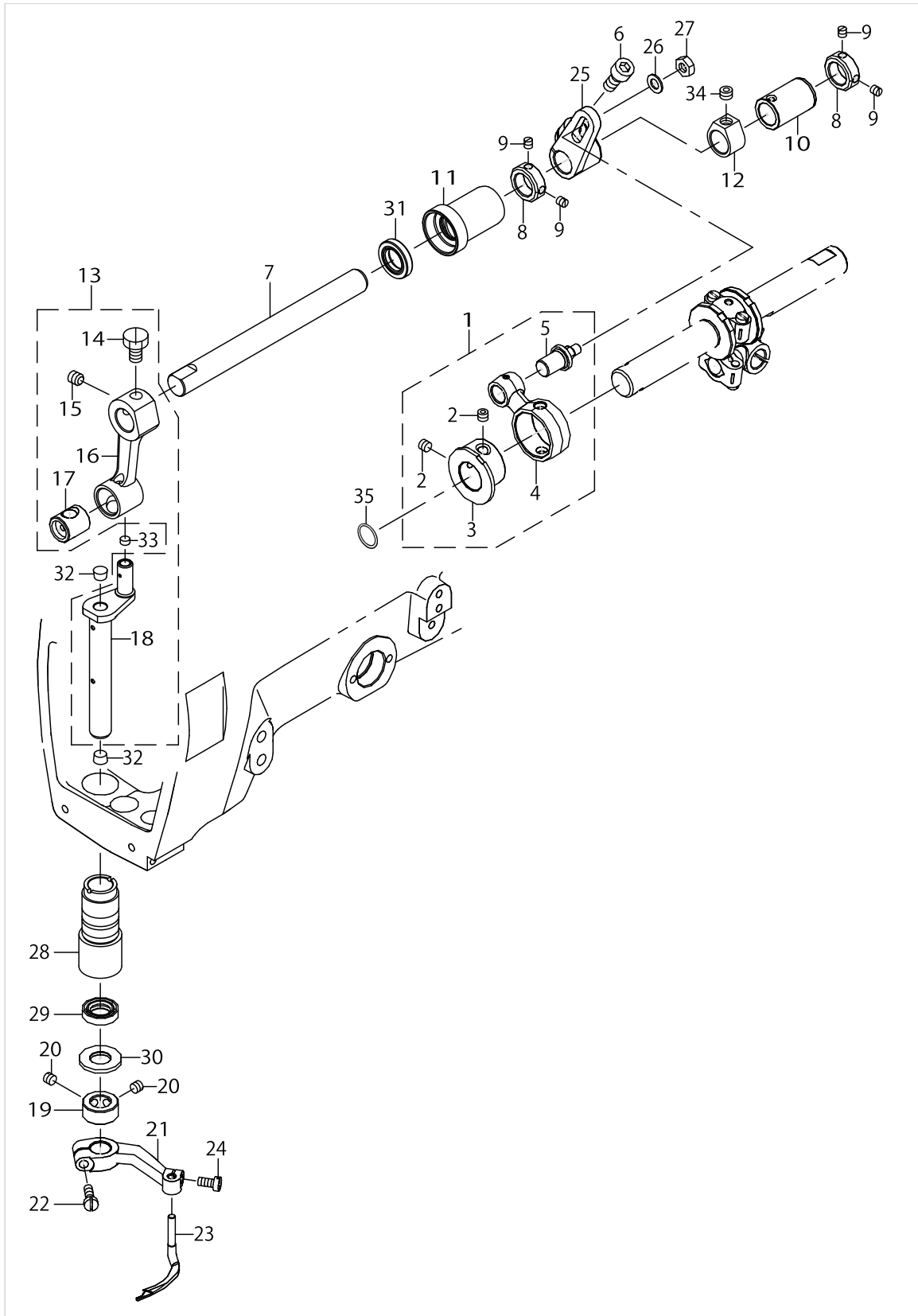
THREAD TAKE-UP LEVER COMPONENTS



THREAD TAKE-UP LEVER COMPONENTS

No.	Supply Code	Parts No.	Replacement	Parts name	Remarks	Choice	Step	Level	Cons	Qty	Rep. QTY
47		13326350		UP_LPR_TENSION_ASSY						1	
48		13326301		THREAD GUIDE UPPER LPR				*		1	
49		13326400		THREAD GUIDE				*		1	
50		22945802		THREAD TENSION DISK				*		2	
51		13326509		TENSION POST				*		1	
52		22945505		THREAD TENSION SPRING				*		1	
53		13326608		TENSION NUT				*		1	
54		NM6050001SP		NUT M5				*		1	
55		WP0450826SC		WASHER 4.5X10X0.8						2	
56		SM6040800SP		SCREW						2	
57		13325808		NIPPER PLATE SUPPORT						1	
58		13325907		NIPPER PLATE						1	
59		13326004		NIPPER GUIDE PLATE						1	
60		13326103		SPRING						1	
61		13326202		SHOULDER SCREW						1	
62		SM4040655SP		SCREW M4 L=6						1	
63		13326707		THREAD GUIDE						1	
64		WS0510002KN		SPRING WASHER						1	
65		40085995		FINGER_GUARD						1	
66		40085997		FINGER_GUARD						1	
67		SM4040555SP		SCREW						2	
68		WP0450801SC		WASHER 4.5X10X0.8						2	

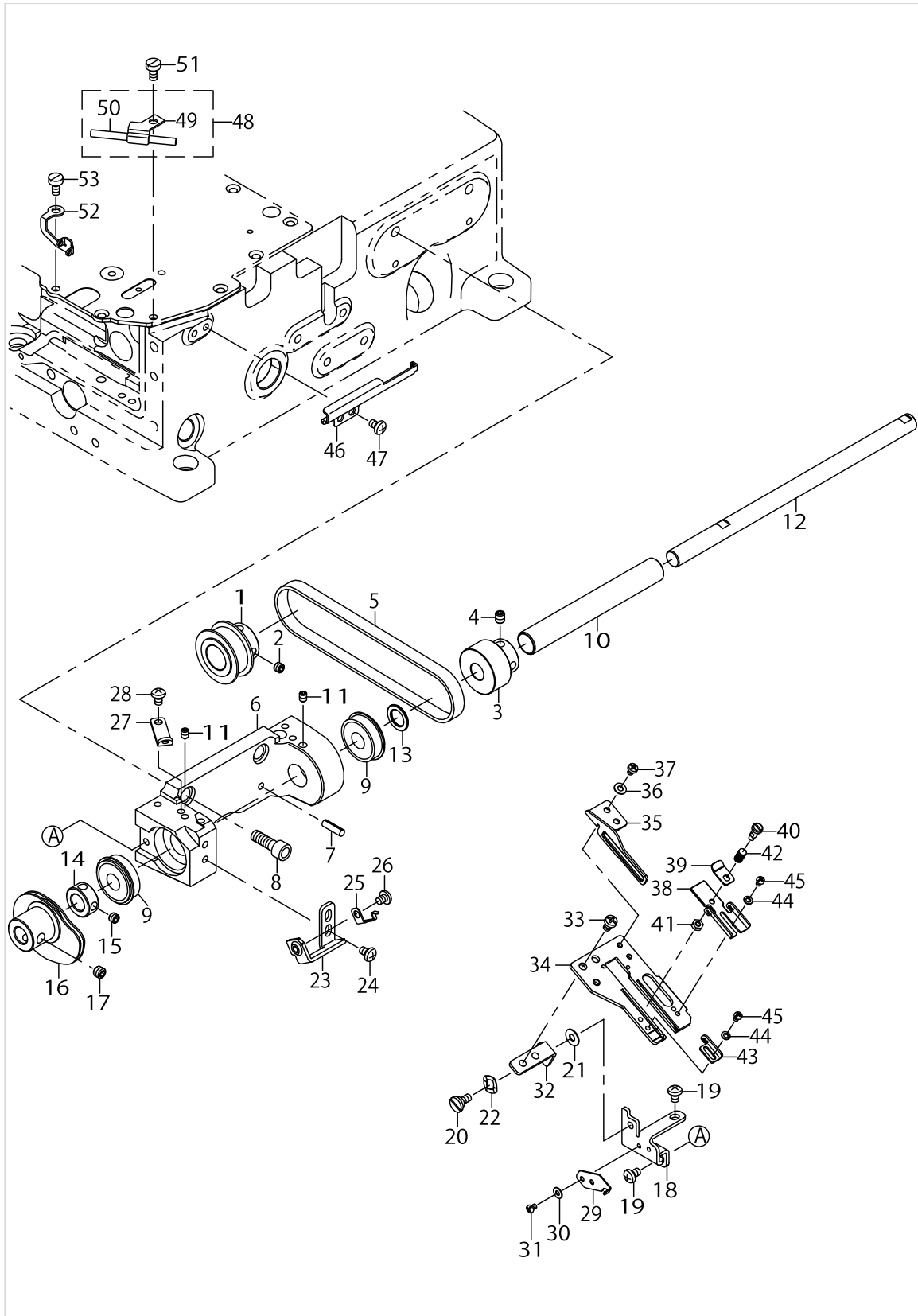
SPREADER COMPONENTS



SPREADER COMPONENTS

No.	Supply Code	Parts No.	Replacement	Parts name	Remarks	Choice	Step	Level	Cons	Qty	Rep. QTY
1		40078318		ASSY UPPER LPR MECH						1	
2		SM8050412TP		SCREW M5 L=4				*		2	
3		40083520		UPPER LOOPER ECCENTRIC				*		1	
4		40078319		CONNROD_FOR_UPPER_LPR				*		1	
5		13328208		STUD				*		1	
6		SM6061402TP		SCREW M6 L=14						1	
7		40078310		UPPER_LOOPER_SHAFT						1	
8		13399209		COLLAR						2	
9		SM8040412TP		SET SCREW M4 L=4						4	
10		40081402		BUSHING_REAR						1	
11		40078309		BUSHING_FRONT						1	
12		13411806		COLLAR						1	
13		40078311		ASSY UPPER LPR MECH 2						1	
14		SM9061050TP		SCREW M6 L=10				*		1	
15		SM8060612TP		SCREW M6 L=6				*		1	
16		40078312		CRANK_ROD				*		1	
17		40078313		UPPER_LOOPER_ROCKER				*		1	
18		40078314		U.L_SHAFT_VERTICAL				*		1	
19		CS1000881TP		THRUST COLLAR						1	
20		SM8050412TP		SCREW M5 L=4						2	
21		13328802		UPPER LOOPER HOLDER					☆	1	
22		SM6041200SP		SCREW M4 L=12					☆	1	
23		13329404		UPPER_LOOPER					☆	1	
24		SM6040800SP		SCREW					☆	1	
25		40078316		DRIVING_ARM						1	
26		WP0550800SP		WASHER 5.5X10X0.8						1	
27		NM6050001SP		NUT M5						1	
28		13329206		BUSHING VERTICAL						1	
29		13338900		OIL SEAL						1	
30		WP1022016SH		WASHER						1	
31		40004573		OIL SEAL						1	
32		TA0600401R0		PLUG						2	
33		40078293		PLUG4.6						1	
34		SM8060412TP		SCREW						1	
35		13170402		RUBBER RING						1	

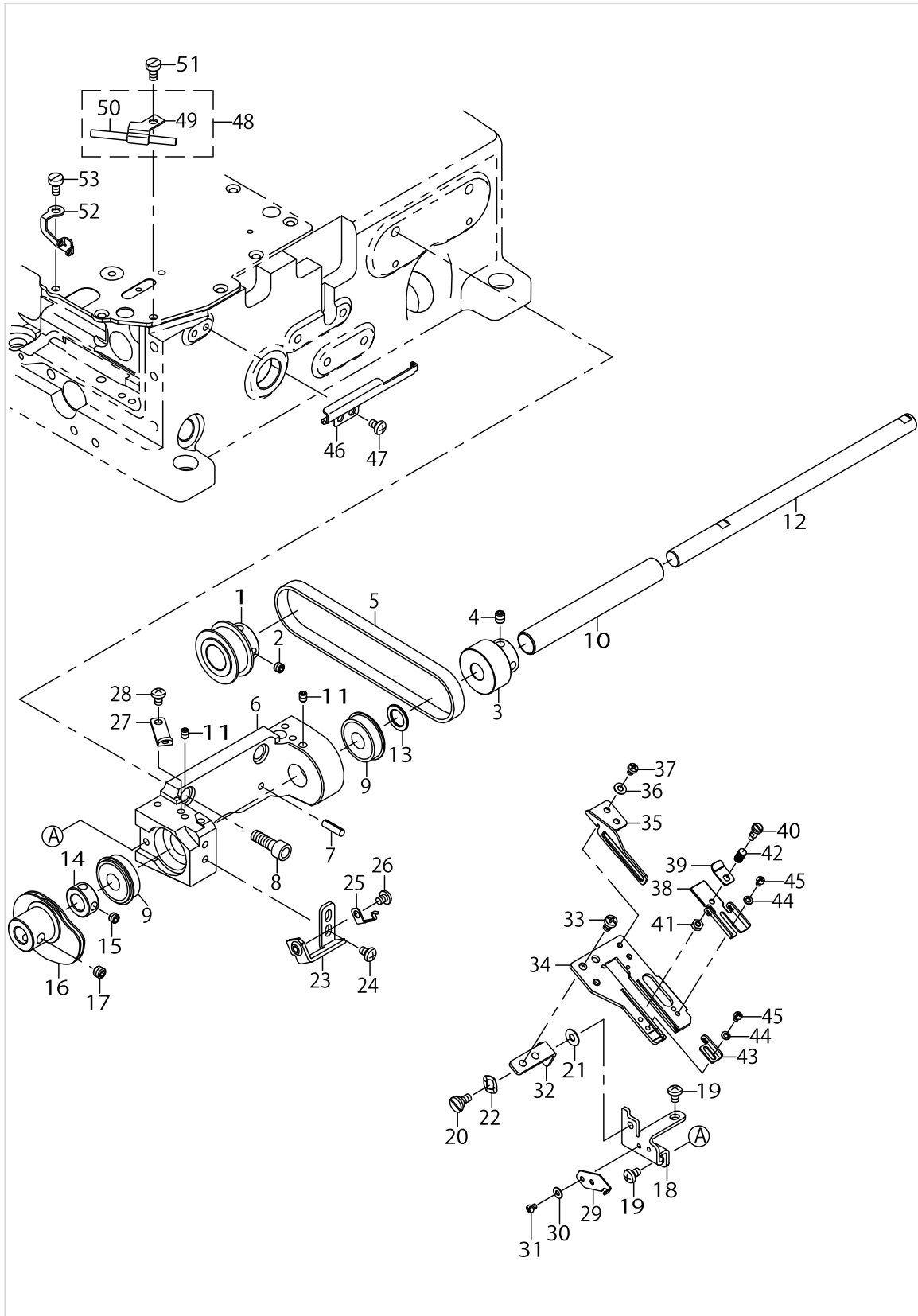
LOWER THREAD CAM COMPONENTS



LOWER THREAD CAM COMPONENTS

No.	Supply Code	Parts No.	Replacement	Parts name	Remarks	Choice	Step	Level	Cons	Qty	Rep. QTY
1		13331202		SPROCKET MAINTUP						1	
2		SM8050642TP		SCREW						1	
3		13331301		SPROCKET TAKE UP						1	
4		SM8050612TP		SCREW M5X6						2	
5		40086140		BELT						1	
6		40086112		TAKE_UP_BASE						1	
7		11846805		HOLDER PIN						2	
8		SM6061802TP		SCREW M6 L=18						2	
9		SB110002400		BEARING						2	
10		40086124		SHAFT_COVER						1	
11		SM8040642TP		SCREW						2	
12		40086123		SHAFT_TAKE_UP						1	
13		10111003		THRUST WASHER 1.2						1	
14		CS1000881TP		THRUST COLLAR						1	
15		SM8050412TP		SCREW M5 L=4						2	
16		40086136		ASSY_TAKE_UP						1	
17		SM8060552TP		SCREW M6 L=5						2	
18		40086121		TAKE_UP_BASE_PLATE						1	
19		SM4040655SP		SCREW M4 L=6						2	
20		SD0640246SP		HINGE SCREW D=6.35 H=2.4						1	
21		WP0410516SD		PLAIN WASHER						1	
22		WZ0641510KP		WAVED WASHER 6.4X11X0.3						1	
23		40086122		LOCK_BASE_PLATE						1	
24		SM4040655SP		SCREW M4 L=6						2	
25		13332903		SPRING						1	
26		SM4040555SP		SCREW						1	
27		13332705		EYELET C						1	
28		SM4040655SP		SCREW M4 L=6						1	
29		40056591		THREAD_CATCHER						1	
30		WP0280501SC		WASHER M2.6						2	
31		SM4850455SP		SCREW						2	
32		40086120		TAKE_UP_PLATE_BRACKET						1	
33		SM4040655SP		SCREW M4 L=6						2	
34		40086141		TAKE_UP_PLATE						1	
35		40086138		THREAD_GUIDE						1	
36		WP0320501SC		WASHER M3						2	
37		SM4030455SP		SCREW						2	
38		13333406		LPR THD GUIDE BASE						1	
39		13333307		LPR THD DISC UPPER						1	
40		13333505		TENSION POST						1	
41		NM6030001SN		NUT						1	
42		13333604		LOOPERCAMSPRING						1	
43		13332101		EYELET A						1	
44		WP0280500SC		WASHER						2	
45		SM4850455SP		SCREW						2	
46		40086142		THREAD_GUIDE						1	

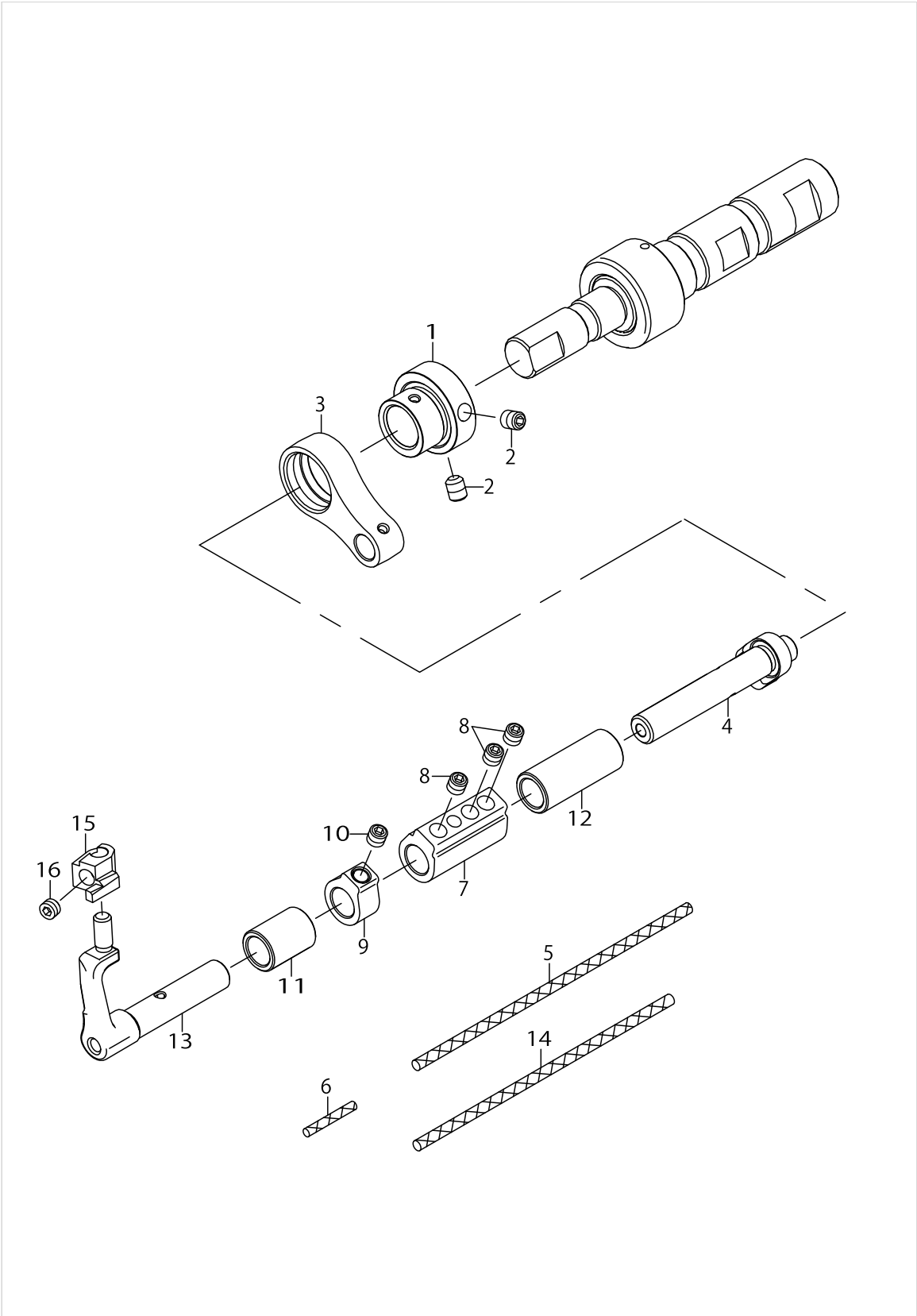
LOWER THREAD CAM COMPONENTS



LOWER THREAD CAM COMPONENTS

No.	Supply Code	Parts No.	Replacement	Parts name	Remarks	Choice	Step	Level	Cons	Qty	Rep. QTY
47		SM4040655SP		SCREW M4 L=6						2	
48		40086129		ASSY_THREAD_GUIDE_A						1	
49		40086131		THREAD_GUIDE_BRACKET_A				*		1	
50		40086128		THREAD_GUIDE_PIPE_A				*		1	
51		SM6040860TP		SCREW M4 L=8						1	
52		40086126		THREAD_GUIDE						1	
53		SM6040860TP		SCREW M4 L=8						1	

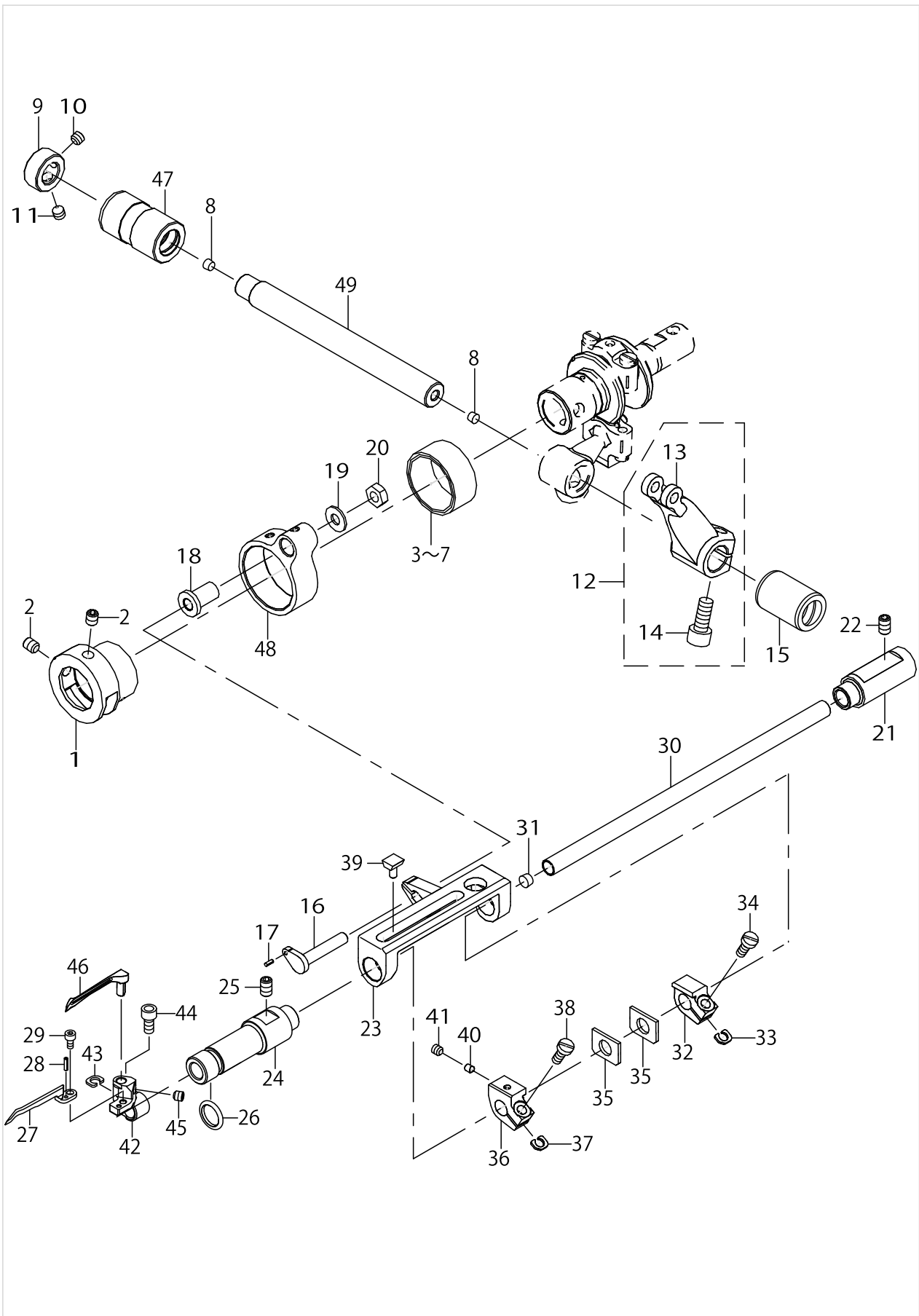
NEEDLE GUARD COMPONENTS



NEEDLE GUARD COMPONENTS

No.	Supply Code	Parts No.	Replacement	Parts name	Remarks	Choice	Step	Level	Cons	Qty	Rep. QTY
1		40086206		NEEDLE_GUARD_ECCENTRIC						1	
2		SM8040512TP		SCREW						2	
3		40086207		NEEDLE_GUARD_ROD						1	
4		40086210		NEEDLE_GUARD_CRANK_SHAFT						1	
5		CQ252000000		OIL WICK						.086	
6		CQ200000000		OIL WICK						.015	
7		40086208		NEEDLE_GUARD_CONNECT						1	
8		SM8040412TP		SET SCREW M4 L=4						3	
9		40086209		NEEDLE_GUARD_COLLAR						1	
10		SM8040412TP		SET SCREW M4 L=4						1	
11		40086213		BUSHING_NEEDLE_GUARD_L						1	
12		40086214		BUSHING_NEEDLE_GUARD_R						1	
13		40086211		NEEDLE_GUARD_BASE						1	
14		CQ252000000		OIL WICK						.08	
15		40086212		REAR_NEEDLE_GUARD						1	
16		SM8040412TP		SET SCREW M4 L=4						1	

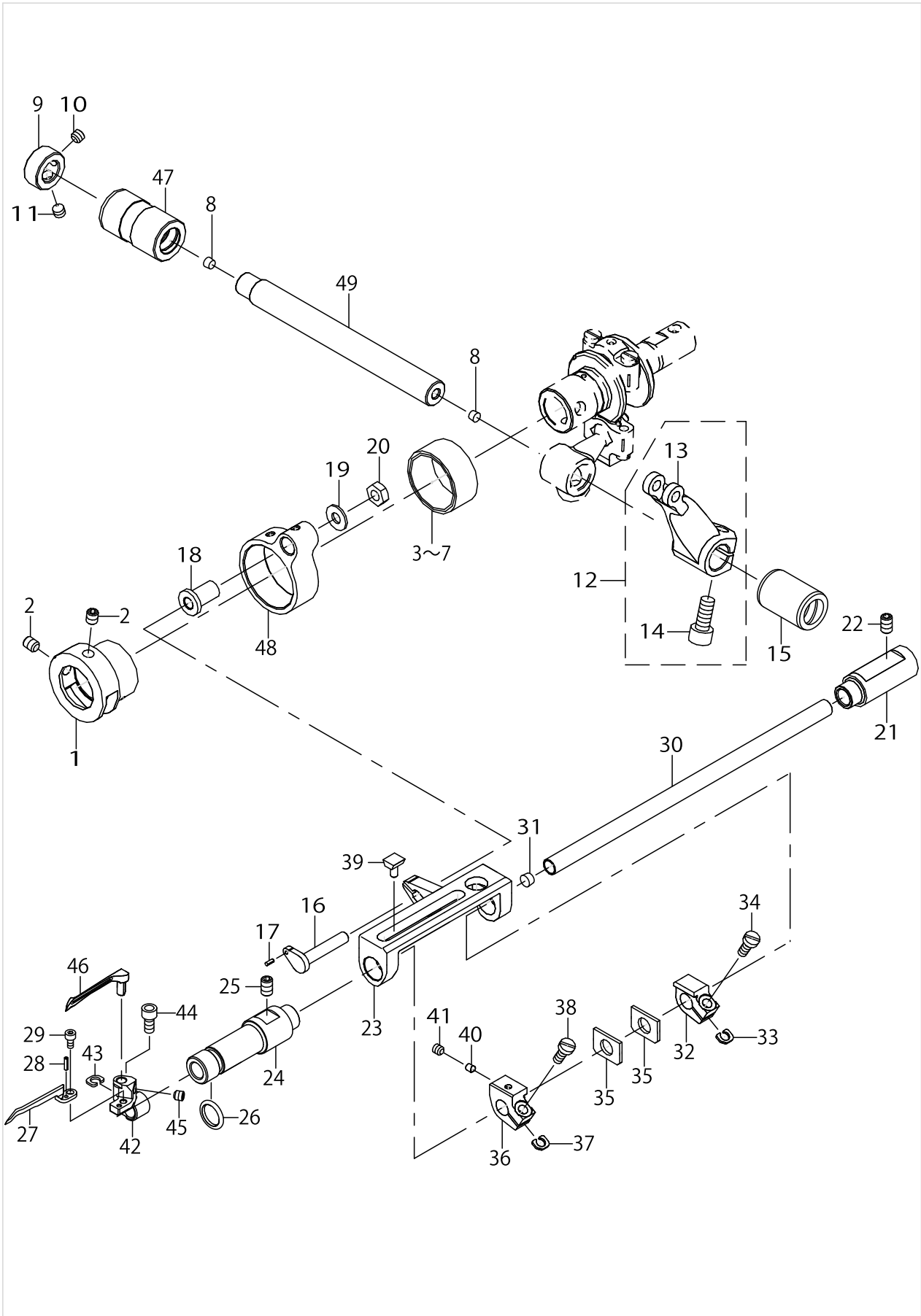
LOOPER COMPONENTS



LOOPER COMPONENTS

No.	Supply Code	Parts No.	Replacement	Parts name	Remarks	Choice	Step	Level	Cons	Qty	Rep. QTY
1		13422001		LOOPER ADOID ECCENTRIC						1	
2		SM8050612TP		SCREW M5X6						2	
3		SB32600020A		BEARING	SELECTIVE PARTS					1	
4		SB32600020B		BEARING	SELECTIVE PARTS					1	
5		SB32600020C		BEARING	SELECTIVE PARTS					1	
6		SB32600020D		BEARING	SELECTIVE PARTS					1	
7		SB32600020E		BEARING	SELECTIVE PARTS					1	
8		TA0400301M0		PLUG D=4X4.5 L=3						2	
9		CS1000881TP		THRUST COLLAR						1	
10		SM8050412TP		SCREW M5 L=4						1	
11		SM8050642TP		SCREW						1	
12		13424452		LEVER_ASSY						1	
13	R	13424403	13424452	LEVER				*		1	1.00
14		SM6061402TP		SCREW M6 L=14				*		1	
15		13424502		BUSHING FRONT						1	
16		13422704		LOOPER AVOID PIN						1	
17		PS0150042K0		SPRING PIN 1.5X 4						1	
18		13422803		BUSHING						1	
19		13120605		WASHER						1	
20		NM6050001SP		NUT M5						1	
21		13423009		BUSHING RIGHT						1	
22		SM8050812TP		SCREW M5X8						1	
23		13422902		GUIDE LOOPER BAR						1	
24		40086220		BUSHING_LEFT						1	
25		SM8050812TP		SCREW M5X8						1	
26		RO118240100		O-RING						1	
27		40086205		FRONT_NEEDLE_GUARD					☆	1	
28		PS0150065KP		SPRING PIN 1.5X6						1	
29		SM6850502TN		SCREW M2.5 L=5					☆	1	
30		13424601		LOOPER BAR						1	
31		TA0600401R0		PLUG						1	
32		13423405		HOLDER						1	
33		13423801		WASHER						1	
34		SM6041000SP		SCREW M4 L=10						1	
35		13423603		WASHER						2	
36		13423504		SLIDER HOLDER						1	
37		13423801		WASHER						1	
38		SM6041000SP		SCREW M4 L=10						1	
39		13423306		SLIDER						1	
40		13423702		PIN						1	
41		SM8040412TP		SET SCREW M4 L=4						1	
42		40086221		LOOPER HOLDER						1	
43		13423801		WASHER						1	
44		SM6040802TP		SCREW M4X0.7 L=8					☆	1	
45		SM8040412TP		SET SCREW M4 L=4					☆	1	
46		13424809		LOOPER					☆	1	

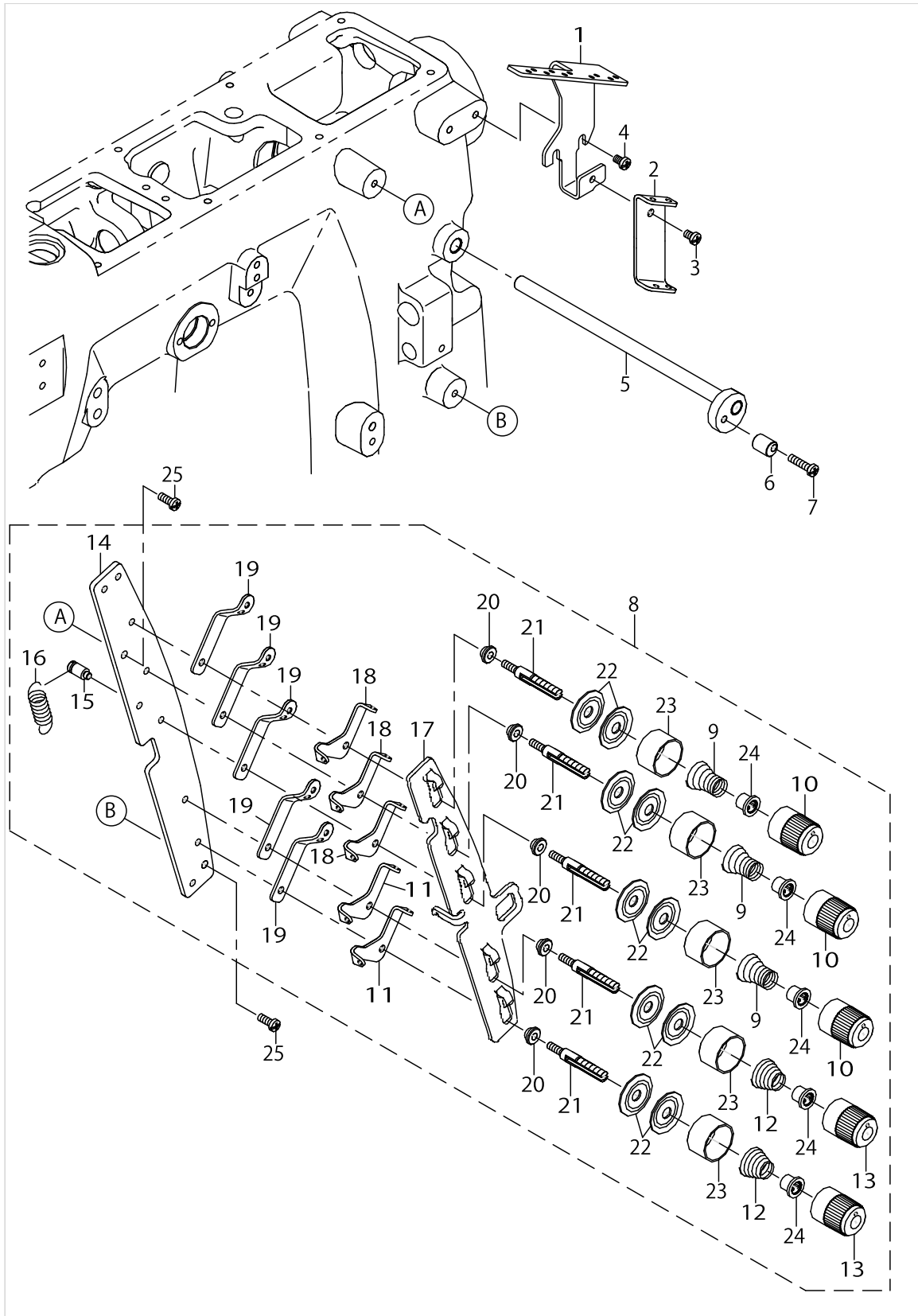
LOOPER COMPONENTS



LOOPER COMPONENTS

No.	Supply Code	Parts No.	Replacement	Parts name	Remarks	Choice	Step	Level	Cons	Qty	Rep. QTY
47		13423900		BUSHING REAR						1	
48		13422605		LOOPER AVOID LINK						1	
49		13424304		LOOPER SHAFT						1	

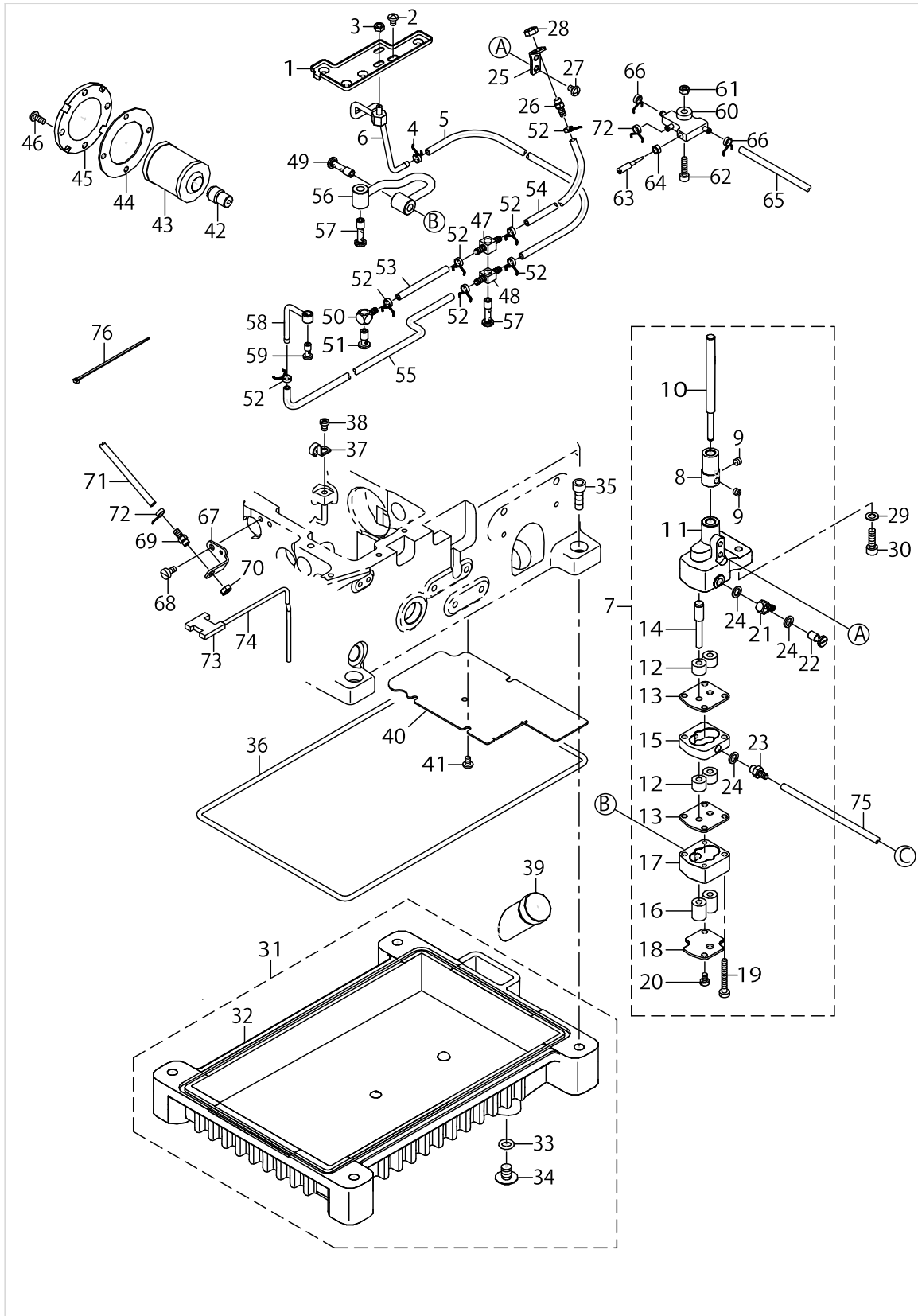
THREAD TENSION COMPONENTS



THREAD TENSION COMPONENTS

No.	Supply Code	Parts No.	Replacement	Parts name	Remarks	Choice	Step	Level	Cons	Qty	Rep. QTY
1		13340005		THREAD GUIDE PLATE	ACCESSO- RIES PARTS					1	
2		13340104		THREAD GUIDE	ACCESSO- RIES PARTS					1	
3		SM4040655SP		SCREW M4 L=6	ACCESSO- RIES PARTS					1	
4		SM4040655SP		SCREW M4 L=6	ACCESSO- RIES PARTS					2	
5		13341359		ASSY PULL OFF LEVER						1	
6		40065785		TENS_RELEASE_ADJ_ECC						1	
7		SM4041655SP		SCREW M4 L=16						1	
8		40066136		THREAD_TENSION_ASSY						1	
9		13140504		TENSION SPRING				*		3	
10		40042364		KNOB GREEN				*		3	
11		13340500		TENSION DISC EYELET				*		2	
12	R	B3121804000	40102003	TENSION SPRING				*		2	1.00
13		40042363		KNOB				*		2	
14		13340203		TENSION POST SUPPORT				*		1	
15		13340302		SHOULDER SCREW				*		1	
16		B2008372000		THREAD TENSION SPRING				*		1	
17		40065784		TENSION_DISC_SEPARATOR				*		1	
18	R	13341607	40040066	TENSION_DISC_EYELET_2		B	MF-7724-U10-D60	*		3	1.00
18	R	13341607	40066136	TENSION_DISC_EYELET_2				*		3	1.00
19		13340609		THREAD LEAD IN GUIDE				*		5	
20		13340708		SPACER				*		5	
21		40042362		TENSION POST				*		5	
22		13138201		THREAD TENSION DISK				*		10	
23		40042366		THREAD TENSION DISK PRESSER				*		5	
24		40042365		SPRING BUSHING				*		5	
25		SM4041055SP		SCREW						2	

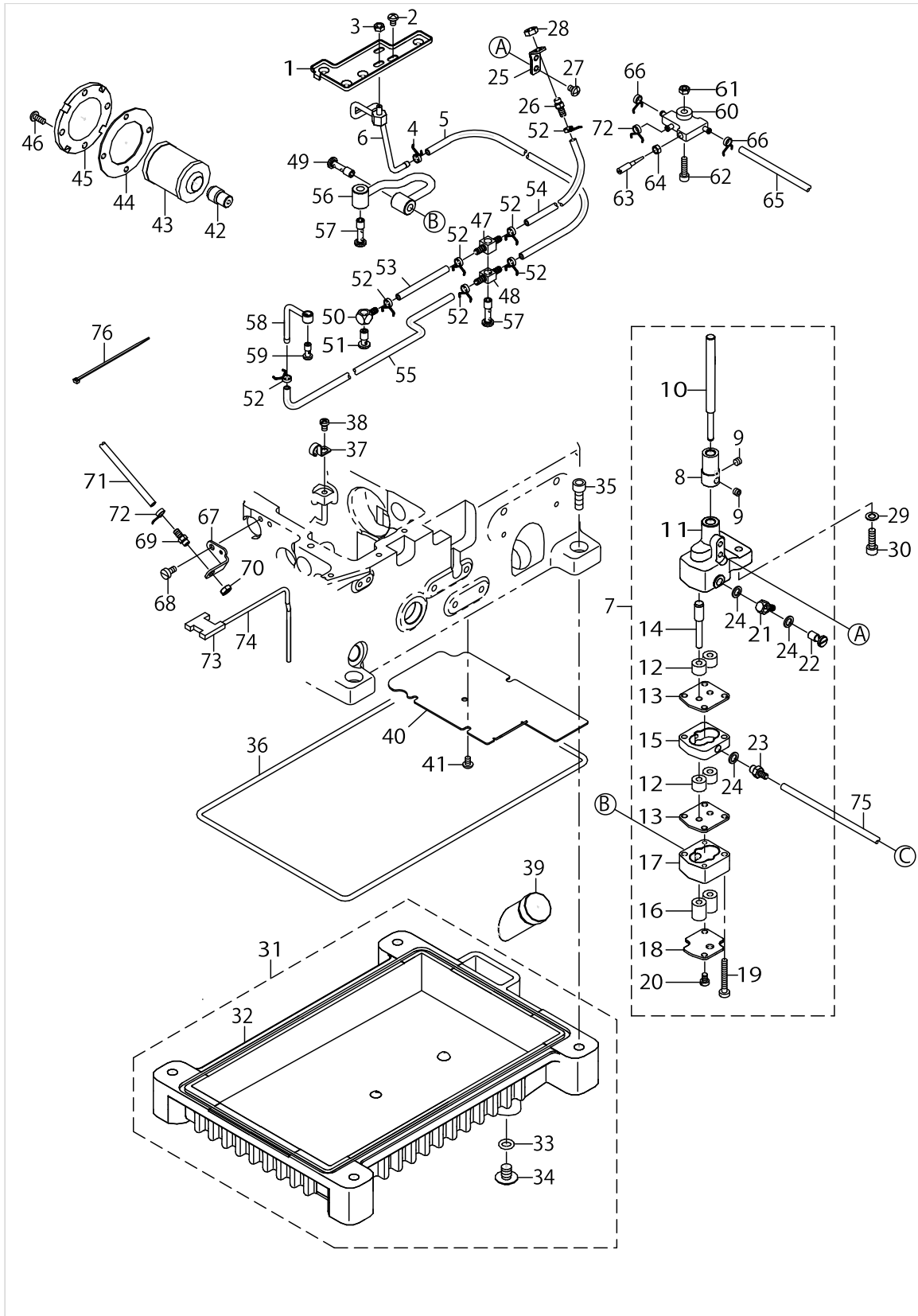
LUBRICATION COMPONENTS



LUBRICATION COMPONENTS

No.	Supply Code	Parts No.	Replacement	Parts name	Remarks	Choice	Step	Level	Cons	Qty	Rep. QTY
1		40083514		OIL SAUCER						1	
2		SM4040655SP		SCREW M4 L=6						2	
3		NM6040001SP		NUT M4X0.7						1	
4		23629306		PIPE STOPPER A						1	
5		BP30000010R		VINYL PIPE						.5	
6		13345053		ASSY_OIL_SUPPLY_FOR_TOP						1	
7		13426051		ASSY_PUMP_3-STAGE						1	
8		13343009		WORM WHEEL				*		1	
9		SM8050412TP		SCREW M5 L=4				*		2	
10	R	13426002	13426051	OIL PUMP SHAFT LARGE				*		1	1.00
11	R	13343108	13345459	OIL PUMP HOUSING		A	MF-7700	*		1	1.00
11	R	13343108	13426051	OIL PUMP HOUSING		B	MF-7800	*		1	1.00
12		13228309		OIL PUMP PINION				*		4	
13	R	13343405	13345459	OIL PUMP SPACER		A	MF-7700	*		2	1.00
13	R	13343405	13426051	OIL PUMP SPACER		B	MF-7800	*		2	1.00
14	R	13426101	13426051	OIL PUMP SHAFT SMALL				*		1	1.00
15		13426200		OIL PUMP CASING UPPER				*		1	
16		13228200		OIL PUMP PINION				*		2	
17	R	13343207	13345459	OIL PUMP CASING		A	MF-7700	*		1	1.00
17	R	13343207	13426051	OIL PUMP CASING		B	MF-7800	*		1	1.00
18	R	13343306	13345459	OIL PUMP COVER		A	MF-7700	*		1	1.00
18	R	13343306	13426051	OIL PUMP COVER		B	MF-7800	*		1	1.00
19		SM6043000SP		SCREW				*		2	
20		SM6040600SP		SCREW M4 L=6				*		2	
21		SQ0000451MZ		CONNECTING SCREW				*		1	
22		SQ2060443SD		CONNECTING SCREW				*		1	
23		SQ2060451MZ		CONNECTING SCREW				*		1	
24		40004749		GASKET				*		3	
25		13427307		CONNECTING_SCR_BRACKET						1	
26		SQ2050452MZ		CONNECTING SCREW						1	
27		SM4040655SP		SCREW M4 L=6						2	
28		NM6050001SP		NUT M5						1	
29		WP0550800SP		WASHER 5.5X10X0.8						2	
30		SM6051602TP		SCREW M5X0.8 L=16						2	
31		40024406		ASSY_OIL_PAN						1	
32		13426309		OIL PAN				*		1	
33		13170105		RUBBER RING				*		1	
34		SM0081001SD		SCREW				*		1	
35		SM6081802TP		SCREW						4	
36		13426408		O RING						1	
37		B3523280000		OIL TUBE HOLDER						1	
38		SM4040655SP		SCREW M4 L=6						1	
39		13346101		OIL SIGHT GAUGE						1	
40		40086254		DUSTPROOF_PLATE						1	
41		SM4040655SP		SCREW M4 L=6						3	
42		13343801		FITTING FILTER						1	

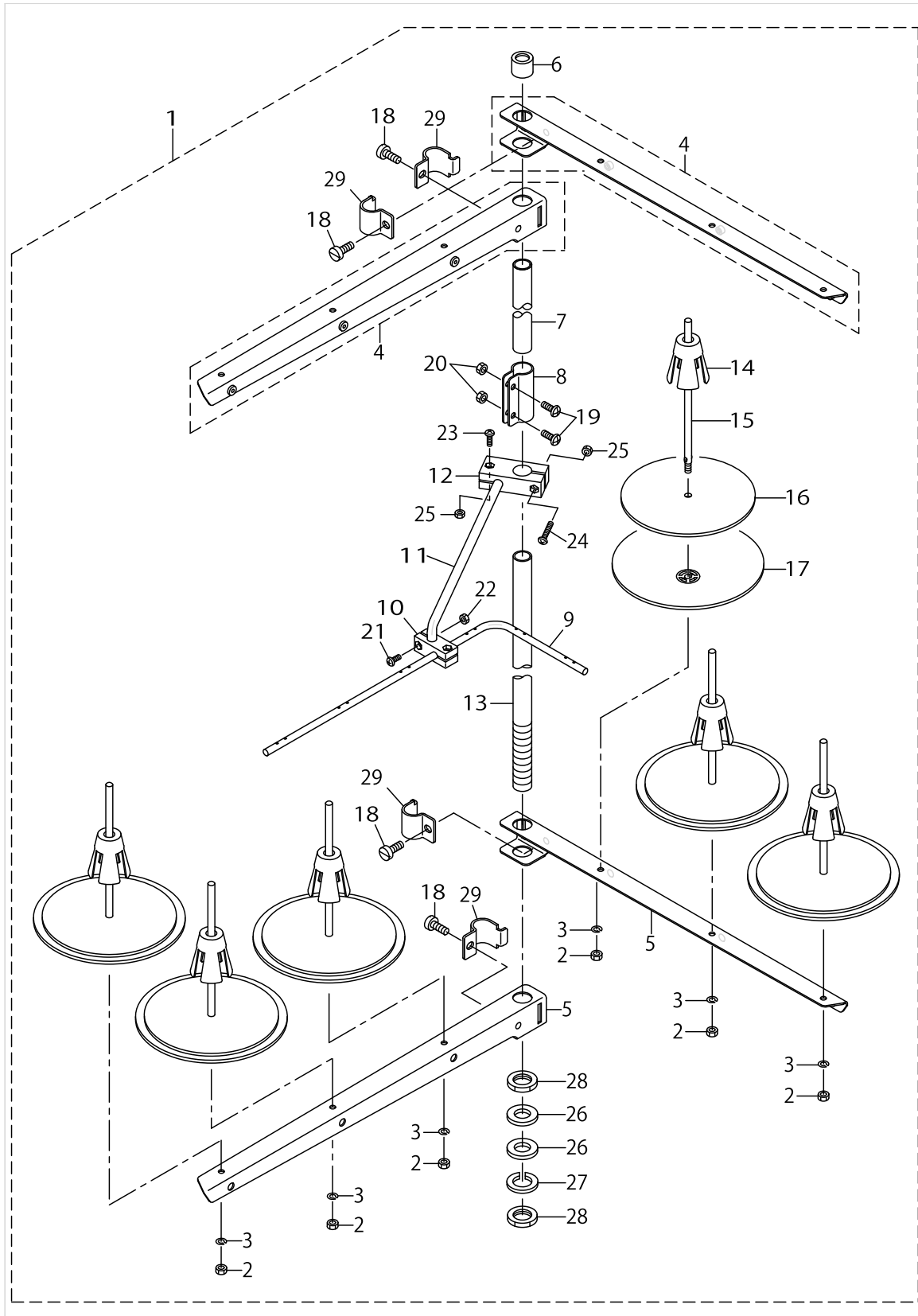
LUBRICATION COMPONENTS



LUBRICATION COMPONENTS

No.	Supply Code	Parts No.	Replacement	Parts name	Remarks	Choice	Step	Level	Cons	Qty	Rep. QTY
43		13142500		CARTRIDGE FILTER						1	
44		13344809		GASKET O						1	
45		13345202		FILTER_COVER						1	
46		SM4041055SP		SCREW						4	
47		SQ0000453MZ		CONNECTING SCREW						1	
48		SQ0000454MZ		CONNECTING SCREW						1	
49		SQ2060442SD		CONNECTING SCREW						1	
50		SQ0000452MZ		CONNECTING SCREW						1	
51		SQ2060443SD		CONNECTING SCREW						1	
52		23629306		PIPE STOPPER A						7	
53		BP30000010R		VINYL PIPE						.09	
54		BP30000010R		VINYL PIPE						.14	
55		BP30000010R		VINYL PIPE						.12	
56		13427257		ASSY_OIL_PIPE						1	
57		SQ2060442SD		CONNECTING SCREW						2	
58		40086251		ASSY_OIL_SUPPLY_FOR_LMS						1	
59		SQ2050391SD		CONNECTING SCREW						1	
60		40032804		BASE						1	
61		NM6040001SP		NUT M4X0.7						1	
62		SM6041602TP		SCREW M4X0.7 L=16						1	
63		B1834512000A		OIL ADJUSTING SCREW						1	
64		NS6110310SP		NUT 11/64-40						1	
65		BP30000010R		VINYL PIPE						.8	
66		23629306		PIPE STOPPER A						2	
67		40086250		CONNECTING_SCR_BRACKET						1	
68		SM6040800SP		SCREW						1	
69		SQ2050452MZ		CONNECTING SCREW						1	
70		NM6050003SC		NUT M5X0.8						1	
71		BP30000010R		VINYL PIPE						.32	
72		23629306		PIPE STOPPER A						2	
73		40086255		SUCTION_FELT						1	
74		40086252		OIL_SUCTION						1	
75		23630007		TUBE						.19	
76		EA9500B0100		CABLE BAND						1	

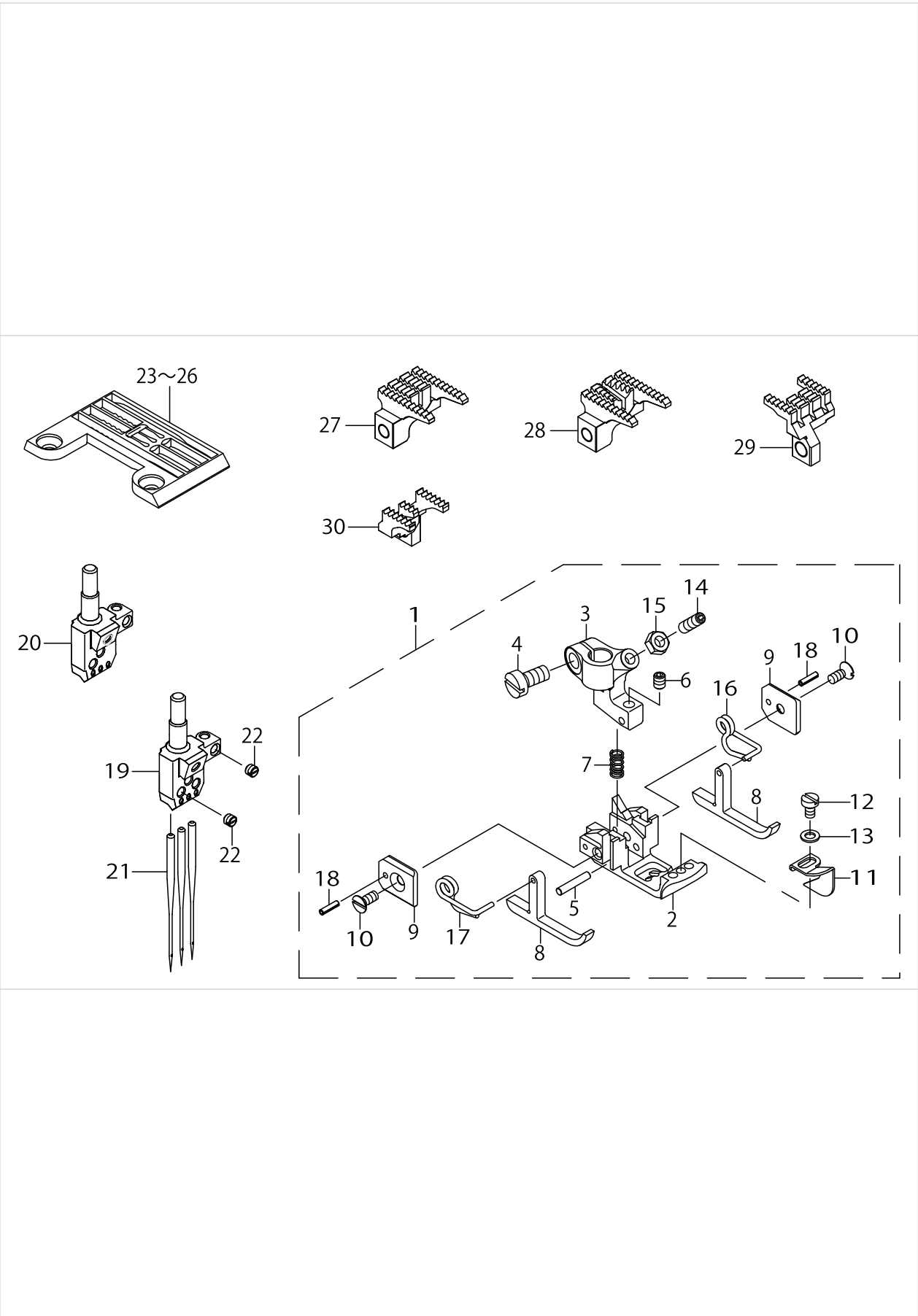
THREAD STAND COMPONENTS



THREAD STAND COMPONENTS

No.	Supply Code	Parts No.	Replacement	Parts name	Remarks	Choice	Step	Level	Cons	Qty	Rep. QTY
1		40072506		THREAD STAND ASM.						1	
2		NM6050001SE		NUT M5				*		6	
3		WS0510002KN		SPRING WASHER				*		6	
4		13168356		THREAD STANDING ARM ASM. ,LONG				*		2	
5	R	13168307	13168356	THREAD STANDING ARM ,LONG				*		2	1.00
6		22931406		THREAD STANDING ROD RUBBER CAP				*		1	
7	R	22930408	40096354	THREAD STANDING ROD, UPPER				*		1	1.00
8	R	22931307	40096354	THREAD STANDING ROD JOINT				*		1	1.00
9		40056675		THREAD GUIDE ARM BASE				*		1	
10	D R	13168000	26910059	THREAD GUIDE BASE, LOWER				*		1	1.00
11	R	13168109	26910059	THREAD GUIDE ARM				*		1	1.00
12	R	13168208	26910059	THREAD GUIDE ARM BASE				*		1	1.00
13	R	22930309	40096354	THREAD STANDING ROD, LOWER				*		1	1.00
14	R	22931109	40085791	SPOOL RETAINER				*		6	1.00
15	R	22931000	40085790	SPOOL PIN				*		6	1.00
16		22930903		SPOOL REST CUSHION				*		6	
17		22930804		SPOOL REST				*		6	
18		SM6061610SC		SCREW M6 L=16				*		4	
19		SM4051405SE		SCREW M5 L=14				*		2	
20		NM6050001SE		NUT M5				*		2	
21		SM4041001SC		SCREW M4X0.7 L=10				*		2	
22		NM6040002SE		NUT M4X0.7				*		2	
23		SM4041201SC		SCREW M4 L=12				*		1	
24		SM4042001SC		SCREW M4 X 20				*		1	
25		NM6040002SE		NUT M4X0.7				*		2	
26		WP1612616SE		WASHER 16X30X2.6				*		2	
27	R	WS1643202KR	WP1612616SE	SPRING WASHER		A		*		1	2.00
27	R	WS1643202KR	40085796	SPRING WASHER		A		*		1	2.00
28		NM6160511SE		NUT M16X1.5				*		2	
29	R	22930705	40096354	THREAD GUIDE ARM JOINT				*		4	1.00

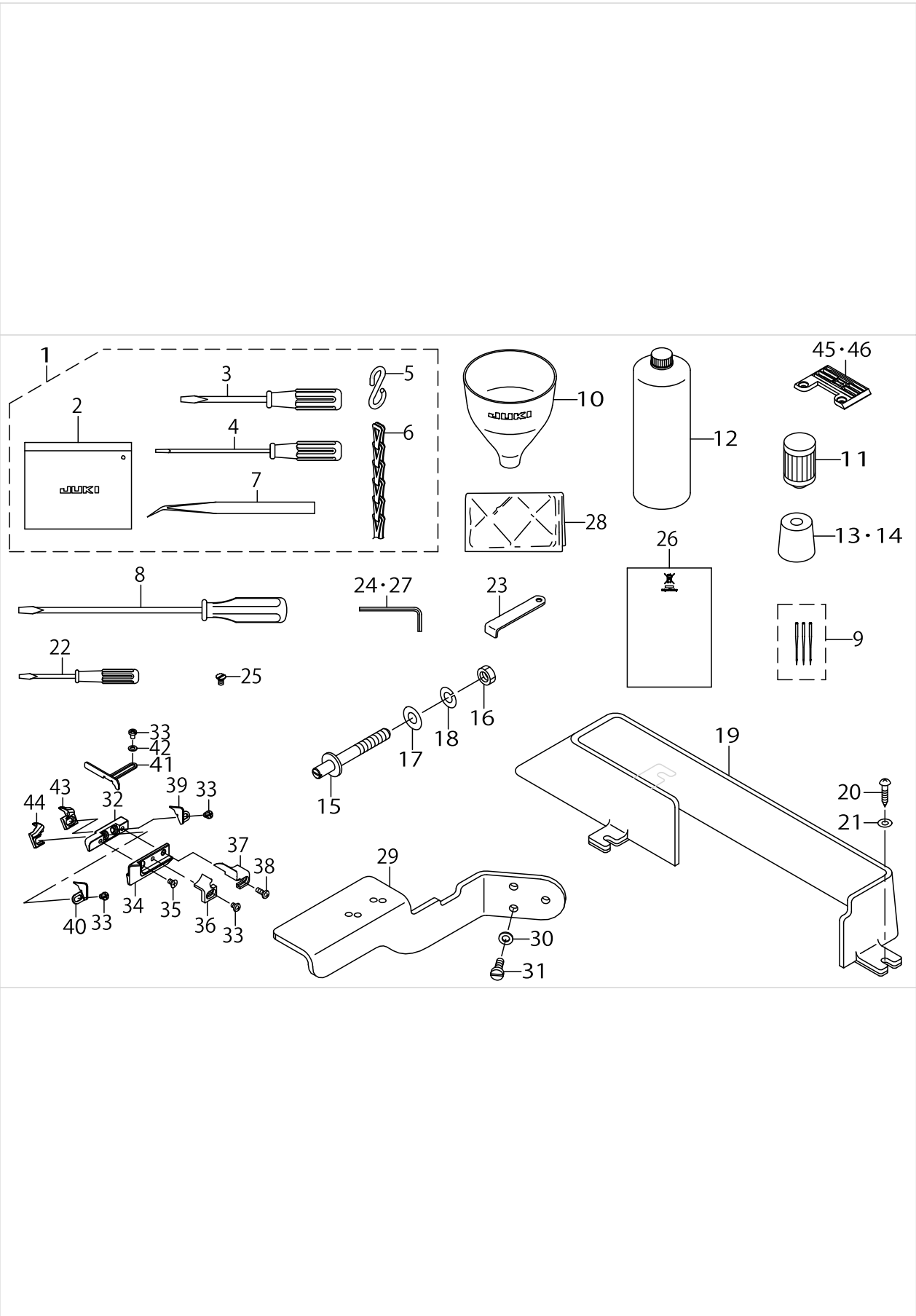
GAUGE PARTS COMPONENTS



GAUGE PARTS COMPONENTS

No.	Supply Code	Parts No.	Replacement	Parts name	Remarks	Choice	Step	Level	Cons	Qty	Rep. QTY
1		40082974		PRESSER_FOOT_ASSY					☆	1	
2	R	40082975	40082974	PRESSER_FOOT_BOTTOM				*		1	1.00
3		40070224		PRESSER_FOOT_HINGE				*		1	
4		SM6040800SP		SCREW				*		1	
5		13375209		PIVOT_PIN				*		1	
6		SM8030412TP		SCREW				*		1	
7		13377106		SPRING				*		1	
8		40070226		P_F_YIELDING_SECTION				*		2	
9		40070227		GUIDE_PLATE				*		2	
10		SM1850600SP		SCREW				*		2	
11		40070231		PRESSER_FOOT_GUIDE				*		1	
12		SM6850400SP		SCREW M2.5 L=4				*		1	
13		WP0280500SC		WASHER				*		1	
14		SM8031002TP		SCREW				*		1	
15		NM6030001SD		NUT M3X0.5				*		1	
16		40070230		SPRING_R				*		1	
17		40070229		SPRING_L				*		1	
18		PS0150065KP		SPRING PIN 1.5X6				*		2	
19		13350301		NEEDLE_HEAD_56	FOR MF-7-223D-K10--B56, FOR MF-7223D-U10-B56				☆	1	
20		13350400		NEEDLE_HEAD_64	FOR MF-7-223D-K10--B64, FOR MF-7223D-U10-B64				☆	1	
21		MUY128S1000		NEEDLE					☆	3	
22		SM8030350TP		SCREW					☆	4	
23		40086230		THROAT_PLATE					☆	1	
24		40090240		THROAT_PLATE					☆	1	
25		40086242		THROAT_PLATE					☆	1	
26		40086241		THROAT_PLATE					☆	1	
27		40086228		MAIN_FEED_DOG	FOR MF-7-223D-U10--B56, FOR MF-7223D-U10-B64				☆	1	
28		40086231		MAIN_FEED_DOG	FOR MF-7-223D-K10--B56, FOR MF-7223D-K10-B64				☆	1	
29		40086229		DIFF_FEED_DOG	FOR MF-7-223D-U10--B56, FOR MF-7223D-U10-B64				☆	1	
30		40090243		DIFF_FEED_DOG_ASSY	FOR MF-7-223D-K10--B56, FOR MF-7223D-K10-B64				☆	1	

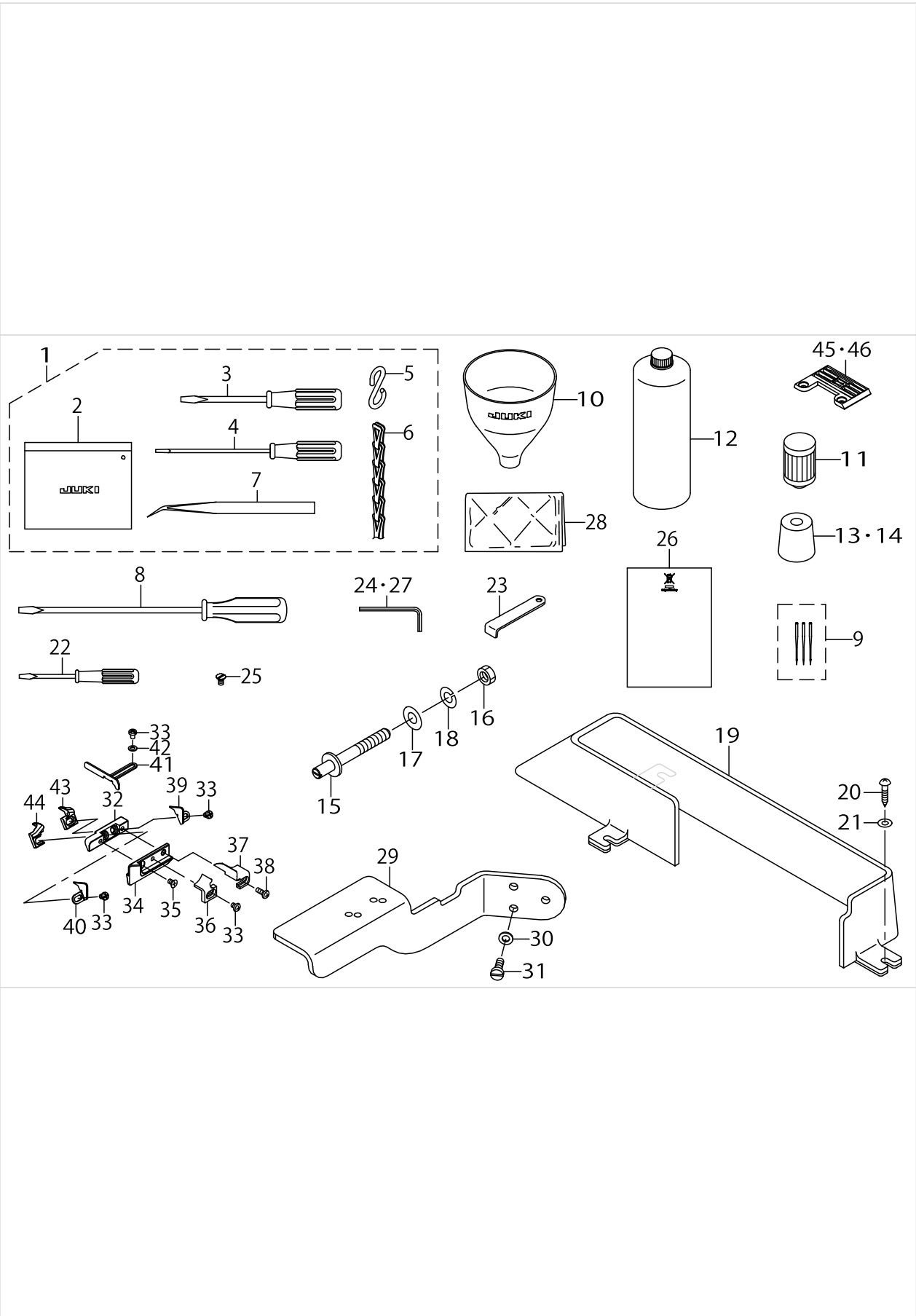
ACCESSORIES PARTS COMPONENTS



ACCESSORIES PARTS COMPONENTS

No.	Supply Code	Parts No.	Replacement	Parts name	Remarks	Choice	Step	Level	Cons	Qty	Rep. QTY
1		40013913		ACCESSORY_BAG_ASSY						1	
2		22932800		ACCESSORIE BAG				*		1	
3		22933105		SCREW DRIVER,MIDDLE				*		1	
4		12347308		SCREW DRIVER (SMALL)				*		1	
5		13160304		S SHAPED HOOK				*		1	
6		26037903		CHAIN				*		1	
7		12288403		TWEEZERS				*		1	
8		22933006		SCREW DRIVER,LARGE						1	
9		MUY128S1003		NEEDLES(PACKAGE_OF_3)						1	
10		13160601		FUNNEL						1	
11		13142500		CARTRIDGE FILTER						1	
12		MML018900CA		JUKI MACHINE OIL 18						1	
13		40072505		ISOLATOR						1	
14		13155403		DUST-PROOF RUBBER						3	
15		13349600		PIN_FOR_RUBBER_CUSHION						4	
16		NM6080003SC		NUT M8						4	
17		WP0851216SC		WASHER 8.5X18.0X1.2						4	
18		WS0820002KR		SPRING WASHER, M8						4	
19		13429709		BELT_COVER						1	
20		SK3412001SE		WOOD SCREW D=4.1 L=20						3	
21		WP0450826SC		WASHER 4.5X10X0.8						3	
22		22933204		SCREW DRIVER,SMALL						1	
23		B9101490000		DRIVER						1	
24		J106600000A		HEXAGONAL ROD S-PANNER 1.5MM						1	
25		13302203		SCREW						1	
26		CM600100201		WEEE INFORMATION SHEET						1	
27		J106600000B		HEXAGONAL WRENCH KEY (2MM)						1	
28		40066645		HEAD_COVER						1	
29		40086330		SUPPORT_COVER						1	
30		WP0531000SC		WASHER 5.3X10X1						3	
31		SM6051400SP		SCREW						3	
32		40086239		BRACKET_S						1	
33		SM4030455SP		SCREW					☆	5	
34		40086238		BRACKET_L						1	
35		SM1030501SN		SCREW					☆	1	
36		40086244		COVERING_GUARD_L						1	
37		40086243		COVERING_GUARD_R						1	
38		SM4030855SN		SCREW M3 L=8.0					☆	1	
39		40086331		GUIDE_RIGHT						1	
40		40086332		GUIDE_LEFT						1	
41		40086333		CLOTH_GUIDE						1	
42		WP0320500SC		WASHER M3					☆	2	
43		40086233		COVERING_GUARD_R						1	
44		40086234		COVERING_GUARD_L						1	
45		40086227		THROAT_PLATE	FOR MF-7-223D-U10-B56				☆	1	

ACCESSORIES PARTS COMPONENTS



ACCESSORIES PARTS COMPONENTS

No.	Supply Code	Parts No.	Replacement	Parts name	Remarks	Choice	Step	Level	Cons	Qty	Rep. QTY
46		40090245		THROAT_PLATE	FOR MF-7- 223D-U10-B64				☆	1	

HOW TO MAKE USE OF THIS PARTS LIST

1.As to "#01" and "#02" refer to the "Note" given at the bottom of the respective pages.

2.Codes on the "Qty" column

- Each numeral indicates the number of parts required.
- "0.1" and "2.5" indicate the length (in meters) of the respective parts.

3.Parentheses mean that the corresponding part is a subpart that constructs an assembly part.

4.Dotted lines on the Figures indicate assembly parts.

5.As to the parts with marks of "☆"(Consumable parts)and "◎"(optional parts)on the respective parts, it is recommended to prepare spares.

1. リストページの#01、#02の印は、ページ下の"注記"の説明を参照下さい。
2. 数量欄の数字は、個数を表し、0.1、2.5等の数値は、長さ（単位メートル）を表します。
3. 数量欄の（ ）は、組部品を構成している子部品であることを意味します。
4. イラストページの-----枠は、組構成であることを意味します。
5. リストページの"☆"（消耗部品）、"◎"（オプション部品）の印が付いた部品は、予備を準備しておくことをお奨めします。

NUMERICAL INDEX OF PARTS

PART NO	PAGE	REF NO.	PART NO	PAGE	REF NO.	PART NO	PAGE	REF NO.
10111003	10	64	13309109	8	38	13323407	22	28~30
10111003	34	13	13309208	8	30	13323506	22	28~30
10753309	2	14	13313101	12	25	13324009	8	15
11846805	34	7	13313309	12	26	13324108	8	55
12219705	4	1	13313408	12	27	13324108	10	55
12288403	54	7	13313606	12	33	13324207	8	17
12347308	54	4	13313705	12	29	13324306	28	3
13120605	24	55	13313804	12	37	13324504	28	5
13120605	40	19	13313903	12	40	13324603	28	8
13123302	14	76	13313952	12	39	13324702	28	10
13123302	18	88	13314109	12	44	13324801	28	12
13138201	44	22	13314406	14	51	13324900	28	13
13140504	44	9	13314505	14	58	13325006	28	15
13142500	48	43	13314703	14	56	13325105	28	17
13142500	54	11	13314752	14	55	13325204	28	23
13155403	54	13·14	13314802	14	54	13325402	28	28
13160304	54	5	13314901	14	59	13325600	28	34
13160601	54	10	13315007	14	49	13325709	28	31
13168000	50	10	13315106	14	61	13325808	30	57
13168109	50	11	13315205	14	47	13325907	30	58
13168208	50	12	13315304	14	63	13326004	30	59
13168307	50	5	13315353	14	62	13326103	30	60
13168356	50	4	13315502	14	67	13326202	30	61
13170105	46	33	13315551	14	66	13326301	30	48
13170402	32	35	13315601	14	72	13326350	30	47
13217401	18	91	13315650	14	71	13326400	30	49
13217500	18	90	13315700	14	73	13326509	30	51
13228200	46	16	13315809	14	74	13326608	30	53
13228309	46	12	13315908	12	30	13326707	30	63
13300801	2	17	13316203	12	41	13326806	12	16
13300900	2	4	13316302	12	34	13326905	28	37
13300959	2	3	13317300	22	27	13327002	28	40
13301007	2	8	13318001	22	45	13327101	28	43
13301304	2	9	13318308	24	56	13328208	32	5
13301700	2	21	13318704	22	81~83	13328802	32	21
13301809	4	13	13318704	24	81~83	13329206	32	28
13302203	4	19			81~	13329404	32	23
13302203	54	25	13318803	22	8381~	13331202	34	1
13302302	4	46			83	13331301	34	3
13307004	8	1	13318803	24	81~	13332101	34	43
13307251	8	4			83	13332606	22	96
13307301	8	7	13318902	22	81~83	13332606	24	96
13307459	8	9	13318902	24	81~83	13332606	26	96
13307509	8	11	13321203	18	82	13332705	34	27
13308309	8	41	13323308	22	28~30	13332903	34	25

NUMERICAL INDEX OF PARTS

PART NO	PAGE	REF NO.	PART NO	PAGE	REF NO.	PART NO	PAGE	REF NO.
13333208	12	42	13410600	22	23~25	22930309	50	13
13333307	34	39	13410709	22	23~25	22930408	50	7
13333406	34	38	13410808	22	23~25	22930705	50	29
13333505	34	40	13411202	22	42	22930804	50	17
13333604	34	42	13411400	24	49	22930903	50	16
13337100	10	58	13411806	32	12	22931000	50	15
13338900	32	29	13414701	18	72	22931109	50	14
13340005	44	1	13415104	18	70	22931307	50	8
13340104	44	2	13415708	22	21	22931406	50	6
13340203	44	14	13415906	22	44	22932800	54	2
13340302	44	15	13417100	18	85	22933006	54	8
13340500	44	11	13422001	40	1	22933105	54	3
13340609	44	19	13422605	42	48	22933204	54	22
13340708	44	20	13422704	40	16	22945505	30	52
13341359	44	5	13422803	40	18	22945802	30	50
13341607	44	18	13422902	40	23	23612609	28	9
13343009	46	8	13423009	40	21	23629306	46	72
13343108	46	11	13423306	40	39	23629306	48	72
13343207	46	17	13423405	40	32	23630007	48	75
13343306	46	18	13423504	40	36	26037903	54	6
13343405	46	13	13423603	40	35	30391601	28	24
13343801	46	42	13423702	40	40	31013808	18	63
13344809	48	44	13423801	40	43	40004573	32	31
13345053	46	6	13423900	42	47	40004749	46	24
13345202	48	45	13424106	10	57	40013913	54	1
13346101	46	39	13424205	10	54	40018259	12	31
13348008	28	18	13424304	42	49	40024406	46	31
13349600	54	15	13424403	40	13	40032804	48	60
13350301	52	19	13424452	40	12	40033340	2	19
13350400	52	20	13424502	40	15	40033341	2	20
13375209	52	5	13424601	40	30	40033518	2	18
13377106	52	7	13424809	40	46	40040208	18	78
13399209	32	8	13426002	46	10	40042362	44	21
13402003	6	50	13426051	46	7	40042363	44	13
13402706	6	48	13426101	46	14	40042364	44	10
13406608	8	2	13426200	46	15	40042365	44	24
13406707	8	35	13426309	46	32	40042366	44	23
13406905	8	33	13426408	46	36	40056591	34	29
13407200	10	53	13427257	48	56	40056675	50	9
13407259	10	52	13427307	46	25	40065784	44	17
13407457	8	43	13429709	54	19	40065785	44	6
13408307	8	19	13474200	6	51	40066136	44	8
13408505	8	45	22901805	2	1	40066645	54	28
13409305	18	71	22902506	2	5	40070224	52	3
13409909	24	76	22924708	2	16	40070226	52	8

NUMERICAL INDEX OF PARTS

PART NO	PAGE	REF NO.	PART NO	PAGE	REF NO.	PART NO	PAGE	REF NO.
40070227	52	9	40081402	32	10	40086031	18	67
40070229	52	17	40081954	2	11	40086032	18	73
40070230	52	16	40081956	2	12	40086035	18	80
40070231	52	11	40081965	8	26	40086036	18	79
40070559	12	28	40082974	52	1	40086037	18	59
40070573	12	24	40082975	52	2	40086038	18	49
40072505	54	13-14	40083514	46	1	40086039	16	30
40072506	50	1	40083520	32	3	40086040	22	39
40074338	2	28	40085967	4	14	40086041	24	65
40078277	10	67	40085969	4	15	40086042	22	40
40078278	8	21~23	40085970	4	23	40086044	24	50
40078279	8	21~23	40085971	4	20	40086046	16	4
40078280	8	21~23	40085973	2	31	40086046	26	102
40078282	8	24	40085974	4	38	40086047	18	55
40078283	8	13	40085977	4	29	40086051	16	37
40078284	8	14	40085981	4	33	40086051	24	71
40078285	12	2	40085982	4	34	40086052	18	47
40078290	12	3	40085983	4	36	40086053	16	31
40078291	12	10	40085984	4	30	40086054	16	33
40078292	12	4	40085985	6	52	40086055	16	28
40078293	14	78	40085988	4	26	40086056	16	41
40078293	32	33	40085995	30	65	40086057	16	1
40078294	12	13	40085996	28	30	40086058	18	48
40078295	12	14	40085997	30	66	40086059	24	79
40078296	12	21	40086002	4	28	40086061	24	90
40078299	12	19	40086003	4	39	40086062	16	14
40078300	12	20	40086006	4	42	40086063	16	36
40078301	12	7	40086009	8	34	40086064	16	17
40078302	12	12	40086010	10	63	40086065	24	66
40078303	12	6	40086011	10	62	40086066	16	18
40078304	12	8	40086014	10	47	40086068	26	95
40078305	12	11	40086015	10	65	40086071	16	7
40078306	12	5	40086016	16	22	40086072	22	32
40078307	12	46	40086017	22	1	40086073	16	39
40078309	32	11	40086018	24	64	40086073	24	74
40078310	32	7	40086019	18	54	40086074	16	2
40078311	32	13	40086020	22	14	40086075	22	20
40078312	32	16	40086021	16	20	40086076	16	6
40078313	32	17	40086022	24	86	40086077	24	68
40078314	32	18	40086023	22	19	40086078	24	62
40078316	32	25	40086026	16	26	40086079	18	51
40078317	12	18	40086027	18	66	40086080	24	92
40078318	32	1	40086028	18	62	40086081	16	45
40078319	32	4	40086029	18	68	40086082	24	72
40078320	12	1	40086030	18	61	40086083	22	15

NUMERICAL INDEX OF PARTS

PART NO	PAGE	REF NO.	PART NO	PAGE	REF NO.	PART NO	PAGE	REF NO.
40086084	16	44	40086234	54	44	CM600100201	54	26
40086085	16	38	40086238	54	34	CQ200000000	16	35
40086087	24	77	40086239	54	32	CQ200000000	38	6
40086088	26	98	40086241	52	23~26	CQ202000000	22	84
40086089	18	52	40086242	52	23~26	CQ202000000	24	84
40086091	16	46	40086243	54	37	CQ252000000	16	56
40086092	18	64	40086244	54	36	CQ252000000	18	56
40086093	24	91	40086250	48	67	CQ252000000	24	89
40086099	18	86	40086251	48	58	CQ252000000	38	14
40086100	24	87	40086252	48	74	CQ303000000	22	85
40086112	34	6	40086254	46	40	CQ303000000	24	85
40086120	34	32	40086255	48	73	CS0640863SH	6	53
40086121	34	18	40086287	4	11	CS0800881TP	14	52
40086122	34	23	40086330	54	29	CS0800881TP	16	24
40086123	34	12	40086331	54	39	CS1000881TP	18	75
40086124	34	10	40086332	54	40	CS1000881TP	28	6
40086125	2	33	40086333	54	41	CS1000881TP	32	19
40086126	36	52	40086334	2	36	CS1000881TP	34	14
40086128	36	50	40086335	2	37	CS1000881TP	40	9
40086129	36	48	40086336	2	35	D3105481D00	2	44
40086131	36	49	40090240	52	23~26	EA9500B0100	48	76
40086136	34	16	40090243	52	30	GBR01166000	16	19
40086138	34	35	40090245	56	45·46	J106600000A	54	24·27
40086140	34	5	B1426180A00	22	9~12	J106600000B	54	24·27
40086141	34	34	B1426180B00	22	9~12	MAL01129000	4	21
40086142	34	46	B1426180C00	22	9~12	MML018900CA	54	12
40086143	2	29	B1426180D00	22	9~12	MUY128S1000	52	21
40086205	40	27	B1609804A00	22	4~8	MUY128S1003	54	9
40086206	38	1	B1609804B00	22	4~8	NM6030001SD	52	15
40086207	38	3	B1609804C00	22	4~8	NM6030001SN	34	41
40086208	38	7	B1609804D00	22	4~8	NM6040001SP	2	24
40086209	38	9	B1609804E00	22	4~8	NM6040001SP	24	60
40086210	38	4	B1834512000A	48	63	NM6040001SP	46	61
40086211	38	13	B2008372000	44	16	NM6040001SP	48	61
40086212	38	15	B2546232000	24	61	NM6040002SE	50	25
40086213	38	11	B3121804000	44	12	NM6050001SC	24	53
40086214	38	12	B3215470000	24	48	NM6050001SE	50	20
40086220	40	24	B3523280000	46	37	NM6050001SP	24	58
40086221	40	42	B9101490000	54	23	NM6050001SP	30	54
40086227	54	45·46	B9213850000	28	19	NM6050001SP	32	27
40086228	52	27	B9214850000	28	20	NM6050001SP	40	20
40086229	52	29	BP30000010R	46	71	NM6050001SP	46	28
40086230	52	23~26	BP30000010R	48	71	NM6050003SC	24	54
40086231	52	28	CM300200001	2	38	NM6050003SC	48	70
40086233	54	43	CM301200001	4	10	NM6060001CP	14	69

NUMERICAL INDEX OF PARTS

PART NO	PAGE	REF NO.	PART NO	PAGE	REF NO.	PART NO	PAGE	REF NO.
NM6080003SC	54	16	SM0081001SD	46	34	SM4051255SP	2	43
NM6160511SE	50	28	SM1030501SN	4	31	SM4051255SP	22	43
NS6110310SP	48	64	SM1030501SN	54	35	SM4051405SE	50	19
PH0300062C0	4	25	SM1030601SP	22	97	SM4061255SP	4	44
PS0150042K0	40	17	SM1030601SP	24	97	SM4850455SP	24	88
PS0150065KP	40	28	SM1030601SP	26	97	SM4850455SP	28	42
PS0150065KP	52	18	SM1040800SP	28	46	SM4850455SP	34	45
PS0150082KH	26	99	SM1040860SP	4	27	SM6020350SP	4	37
PS0150082KH	28	21	SM1850600SP	52	10	SM6030500SN	12	36
PS0250202KH	4	16	SM4030455SN	2	23	SM6030600SP	4	24
PS0500142KP	14	60	SM4030455SP	12	32	SM6040600SP	46	20
PS0500202KP	18	77	SM4030455SP	28	33	SM6040800SP	18	50
RC2071213KP	22	2	SM4030455SP	34	37	SM6040800SP	24	67
RC2251213KP	22	3	SM4030455SP	54	33	SM6040800SP	30	56
RC4381514KP	4	3	SM4030655SP	12	17	SM6040800SP	32	24
RC4881514KP	4	2	SM4030655SP	28	45	SM6040800SP	48	68
RE0300000K0	14	77	SM4030855SN	28	26	SM6040800SP	52	4
RE0300000K0	18	89	SM4030855SN	54	38	SM6040802TP	40	44
RE0500000K0	24	52	SM4040555SP	26	100	SM6040860TP	36	53
RE0800000K0	18	58	SM4040555SP	30	67	SM6041000SP	12	38
RO029180100	4	17	SM4040555SP	34	26	SM6041000SP	40	38
RO055200100	24	51	SM4040655SN	18	84	SM6041200SP	12	43
RO068190100	18	74	SM4040655SP	2	34	SM6041200SP	32	22
RO068190100	22	41	SM4040655SP	6	47	SM6041202TP	14	64
RO078190100	26	93	SM4040655SP	28	62	SM6041602TP	48	62
RO118240100	40	26	SM4040655SP	30	62	SM6042000SP	24	59
RO195240100	2	15	SM4040655SP	34	47	SM6043000SP	46	19
RO445300100	8	25	SM4040655SP	36	47	SM6050800SP	18	53
SB110002400	34	9	SM4040655SP	44	4	SM6051000SP	12	15
SB115002300	10	51	SM4040655SP	46	41	SM6051002TP	28	1
SB120001900	8	27	SM4040855SP	2	39	SM6051202TP	14	57
SB120002300	8	37	SM4040855SP	4	22	SM6051202TP	18	60
SB32600020A	40	3~7	SM4041001SC	50	21	SM6051202TP	22	16
SB32600020B	40	3~7	SM4041055SP	2	13	SM6051400SP	24	57
SB32600020C	40	3~7	SM4041055SP	4	32	SM6051400SP	54	31
SB32600020D	40	3~7	SM4041055SP	28	14	SM6051402TP	28	11
SB32600020E	40	3~7	SM4041055SP	44	25	SM6051602TP	46	30
SD0550906TP	10	56	SM4041055SP	48	46	SM6051802TP	4	40
SD0640246SP	2	25	SM4041201SC	50	23	SM6060800SP	2	26
SD0640246SP	34	20	SM4041655SP	44	7	SM6060800SP	14	50
SD0700206TP	12	45	SM4042001SC	50	24	SM6061002TP	14	48
SD0700586TP	14	65	SM4050655SP	2	32	SM6061200SP	8	32
SD0700716TH	16	43	SM4050655SP	18	81	SM6061202TP	14	70
SD0701186TH	16	32	SM4050855SP	2	42	SM6061402TP	8	18
SK3412001SE	54	20	SM4051055SP	10	60	SM6061402TP	32	6

NUMERICAL INDEX OF PARTS

PART NO	PAGE	REF NO.	PART NO	PAGE	REF NO.	PART NO	PAGE	REF NO.
SM6061402TP	40	14	SM8060552TP	26	103	WP0280501SC	34	30
SM6061610SC	50	18	SM8060552TP	34	17	WP0320500SC	54	42
SM6061802TP	34	8	SM8060612TP	8	44	WP0320501SC	28	44
SM6081802TP	46	35	SM8060612TP	18	69	WP0320501SC	34	36
SM6850400SP	52	12	SM8060612TP	24	80	WP0410516SD	34	21
SM6850502TN	40	29	SM8060612TP	32	15	WP0430801SC	2	40
SM8030312TP	28	25	SM8060812TP	8	42	WP0450801SC	30	68
SM8030350TP	52	22	SM8060842TP	8	49	WP0450826SC	18	83
SM8030412TP	52	6	SM8060842TP	10	49	WP0450826SC	30	55
SM8031002TP	52	14	SM8061212TP	8	36	WP0450826SC	54	21
SM8040312TP	16	27	SM8080812TP	2	45	WP0460556SD	14	75
SM8040360TP	4	49	SM8080812TP	8	31	WP0460556SD	18	87
SM8040360TP	6	49	SM8550952TP	10	61	WP0522016SH	28	4
SM8040410TP	12	35	SM9061050TP	32	14	WP0531000SC	54	30
SM8040412TP	10	66	SM9062550TP	14	68	WP0550800SP	32	26
SM8040412TP	16	40	SQ0000451MZ	46	21	WP0550800SP	46	29
SM8040412TP	24	78	SQ0000452MZ	48	50	WP0612066SP	6	54
SM8040412TP	32	9	SQ0000453MZ	48	47	WP0621016SD	20	92
SM8040412TP	38	16	SQ0000454MZ	48	48	WP0702026SP	12	22
SM8040412TP	40	45	SQ2050391SD	48	59	WP0851216SC	54	17
SM8040512TP	16	23	SQ2050452MZ	46	69	WP1021026SH	18	57
SM8040512TP	22	33	SQ2050452MZ	48	69	WP1022016SH	32	30
SM8040512TP	38	2	SQ2060442SD	48	57	WP1612616SE	50	26
SM8040602TP	22	46	SQ2060443SD	46	51	WS0510002KN	30	64
SM8040642TP	34	11	SQ2060443SD	48	51	WS0510002KN	50	3
SM8050412TP	14	53	SQ2060451MZ	46	23	WS0510002KP	10	59
SM8050412TP	16	76	ST4040851SN	28	22	WS0510002KP	28	2
SM8050412TP	18	76	TA0400301M0	40	8	WS0651310KP	4	43
SM8050412TP	28	7	TA0570601M0	4	45	WS0820002KR	54	18
SM8050412TP	32	20	TA0600401R0	32	32	WS1643202KR	50	27
SM8050412TP	34	15	TA0600401R0	40	31	WZ0641510KP	2	22
SM8050412TP	40	10	TA0850604R0	4	6	WZ0641510KP	34	22
SM8050412TP	46	9	TA0900502R0	4	12	WZ1052010KP	12	23
SM8050512TP	8	46	TA1050504R0	2	6			
SM8050512TP	22	22	TA1250406R0	4	5			
SM8050612TP	22	13	TA1270502R0	2	41			
SM8050612TP	34	4	TA1701002R0	4	7			
SM8050612TP	40	2	TA1900502R0	4	8			
SM8050642TP	34	2	TA2050406R0	4	4			
SM8050642TP	40	11	TA2050416R0	26	101			
SM8050812TP	26	94	TA2351004R0	2	27			
SM8050812TP	40	25	TA2351004R0	4	9			
SM8060412TP	32	34	WP0280500SC	34	44			
SM8060552TP	10	50	WP0280500SC	52	13			
SM8060552TP	16	5	WP0280501SC	28	41			