

MODEL : AMS-210ENHL1306/7300

List No : 1525-02

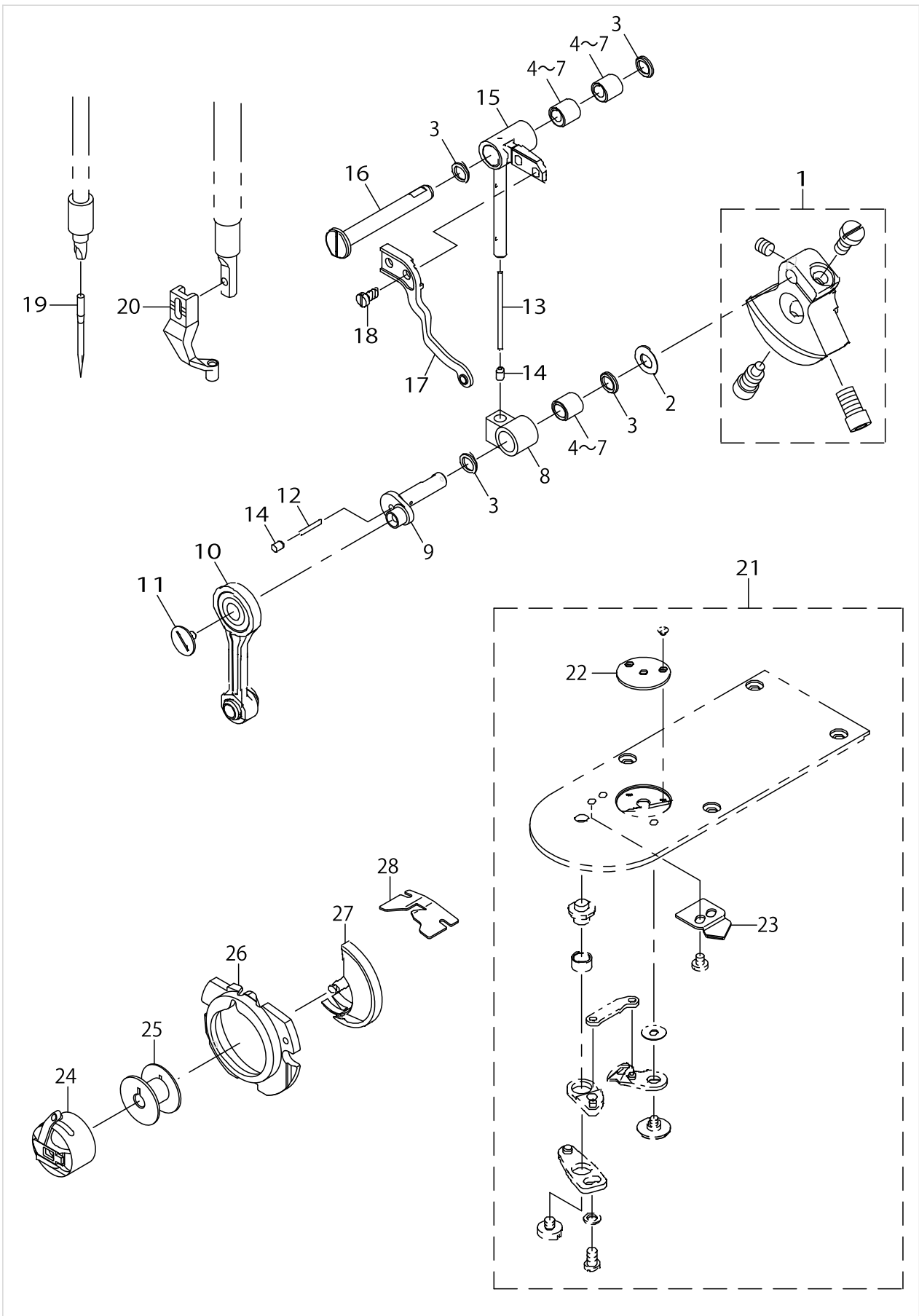
PARTS LIST

Published:05/12/2017

CONTENTS

COMPONENTS (1).....	1
COMPONENTS (2).....	3
HOW TO MAKE USE OF THIS PARTS LIST	5

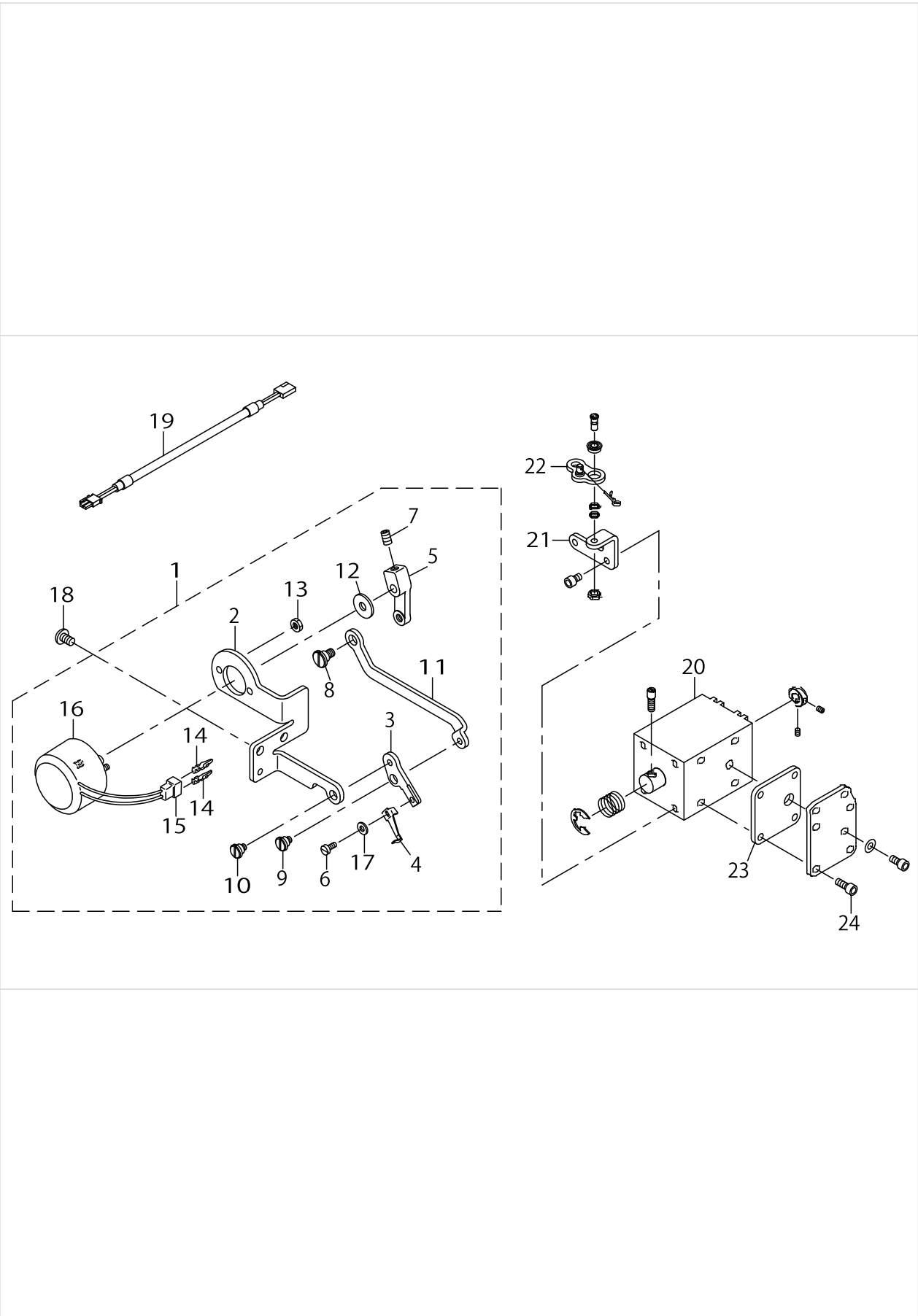
COMPONENTS (1)



COMPONENTS (1)

No.	Supply Code	Parts No.	Replacement	Parts name	Remarks	Choice	Step	Level	Cons	Qty	Rep. QTY
1		40053774		COUNTER_WEIGHT_ASM.						1	
2		10548501		THREAD TAKE-UP CRANK SPACER						1	
3		22891204		BEARING SUPPORT						4	
4		SB30700020A		BEARING	SELECTIVE PARTS					3	
5		SB30700020B		BEARING	SELECTIVE PARTS					3	
6		SB30700020C		BEARING	SELECTIVE PARTS					3	
7		SB30700020D		BEARING	SELECTIVE PARTS					3	
8		40085663		SLIDE BLOCK						1	
9		40085664		NEEDLE BAR CRANK						1	
10		40006534		NEEDLE_BAR_CRANK_ROD_ASM.						1	
11		B1903552000		LEFT SCREW						1	
12		CQ202000000		OIL WICK						.01	
13		CQ202000000		OIL WICK						.04	
14		22810907		RUBBER PLUG						2	
15		40049378		SLIDE SHAFT						1	
16		40011902		THREAD_TAKE_UP_CRANK_SHAFT						1	
17		40085665		THREAD TAKE UP LEVER COMPL.						1	
18		SM6040750TP		SCREW M4 L=7						2	
19		MDP170B2500		NEEDLE DPX17 #25						1	
20		14433601		INTERMEDIATE PRESSER K						1	
21		40053776		NEEDLE_PLATE_ASM.						1	
22		B242621000F		NEEDLE HOLE GUIDE D=3.0				*		1	
23		B2424210A00		FIX KNIFE				*		1	
24		B1828210DAC		BOBBIN CASE ASM.						1	
25		B1806210D0A		BOBBIN						1	
26		B1817210DAE		SHUTTLE RACE RING ASM.,E						1	
27		40061991		SHUTTLE						1	
28		B1815210D0A		SPRING						1	

COMPONENTS (2)



COMPONENTS (2)

No.	Supply Code	Parts No.	Replacement	Parts name	Remarks	Choice	Step	Level	Cons	Qty	Rep. QTY
1		40035867		WIPER ASM.						1	
2		40035866		WIPER_BASE				*		1	
3		40036230		WIPER INSTALLING PLATE				*		1	
4		B2107210000		WIPER				*		1	
5		40036392		WIPER ARM				*		1	
6		SM67506C0TP		SCREW M3.5 L=6				*		1	
7		SM8050812TP		SCREW M5X8				*		1	
8		SD0700406TP		SHOULDER SCREW				*		1	
9		SD0640327TP		SHOULDER SCREW D=6.35 H=3.2				*		1	
10		SD0640327TP		SHOULDER SCREW D=6.35 H=3.2				*		1	
11		40036229		WIPER CONNECTING PLATE				*		1	
12		WP0561616SC		WASHER 5.6X16X1.6				*		1	
13		NM6040003SC		NUT M4				*		2	
14		HP000200200		PIN-SHAPE TERMINAL, MALE				*		2	
15		HK018800020		2-POLE PLUG				*		1	
16		B2101220000		WIPER SOLENOID				*		1	
17		WP0371016SD		WASHER 3.7X8X1				*		1	
18		SM4050855SP		SCREW						2	
19		40058422		WIPER RELAY CABLE ASM.						1	
20		40090556		AT_SOLENOID						1	
21		40051347		AT_PIVOT_BASE(R)						1	
22		40052752		AT_DRIVE_LINK(R)_ASM.						1	
23		40051348		AT_SOLENOID_SPASER						1	
24		SM6041002TP		SCREW M4 L=10						4	

HOW TO MAKE USE OF THIS PARTS LIST

- 1.As to "#01" and "#02" refer to the "Note" given at the bottom of the respective pages.
- 2.Codes on the "Qty" column
 - Each numeral indicates the number of parts required.
 - "0.1" and "2.5" indicate the length (in meters) of the respective parts.
- 3.Parentheses mean that the corresponding part is a subpart that constructs an assembly part.
- 4.Dotted lines on the Figures indicate assembly parts.

1. リストページの# 0 1、# 0 2の印は、ページ下の"注記"の説明を参照下さい。
2. 数量欄の数字は、個数を表し、0. 1、2. 5等の数値は、長さ（単位メートル）を表します。
3. 数量欄の（ ）は、組部品を構成している子部品であることを意味します。
4. イラストページの-----枠は、組構成であることを意味します。

Please refer to Parts List of AMS-210EN/IP-420 for the matters not mentioned on this Parts List.

本パーツリストに記載なきものは、AMS-210EN/IP-420のパーツリストをご覧ください。

NUMERICAL INDEX OF PARTS

PART NO	PAGE	REF NO.	PART NO	PAGE	REF NO.
10548501	2	2	SM6041002TP	4	24
14433601	2	20	SM67506C0TP	4	6
22810907	2	14	SM8050812TP	4	7
22891204	2	3	WP0371016SD	4	17
40006534	2	10	WP0561616SC	4	12
40011902	2	16			
40035866	4	2			
40035867	4	1			
40036229	4	11			
40036230	4	3			
40036392	4	5			
40049378	2	15			
40051347	4	21			
40051348	4	23			
40052752	4	22			
40053774	2	1			
40053776	2	21			
40058422	4	19			
40061991	2	27			
40085663	2	8			
40085664	2	9			
40085665	2	17			
40090556	4	20			
B1806210D0A	2	25			
B1815210D0A	2	28			
B1817210DAE	2	26			
B1828210DAC	2	24			
B1903552000	2	11			
B2101220000	4	16			
B2107210000	4	4			
B2424210A00	2	23			
B242621000F	2	22			
CQ202000000	2	13			
HK018800020	4	15			
HP000200200	4	14			
MDP170B2500	2	19			
NM6040003SC	4	13			
SB30700020A	2	4~7			
SB30700020B	2	4~7			
SB30700020C	2	4~7			
SB30700020D	2	4~7			
SD0640327TP	4	10			
SD0700406TP	4	8			
SM4050855SP	4	18			
SM6040750TP	2	18			