

MODEL : PLC-1710/PLC-1760/PLC-1760L

List No : 1456-06

# PARTS LIST

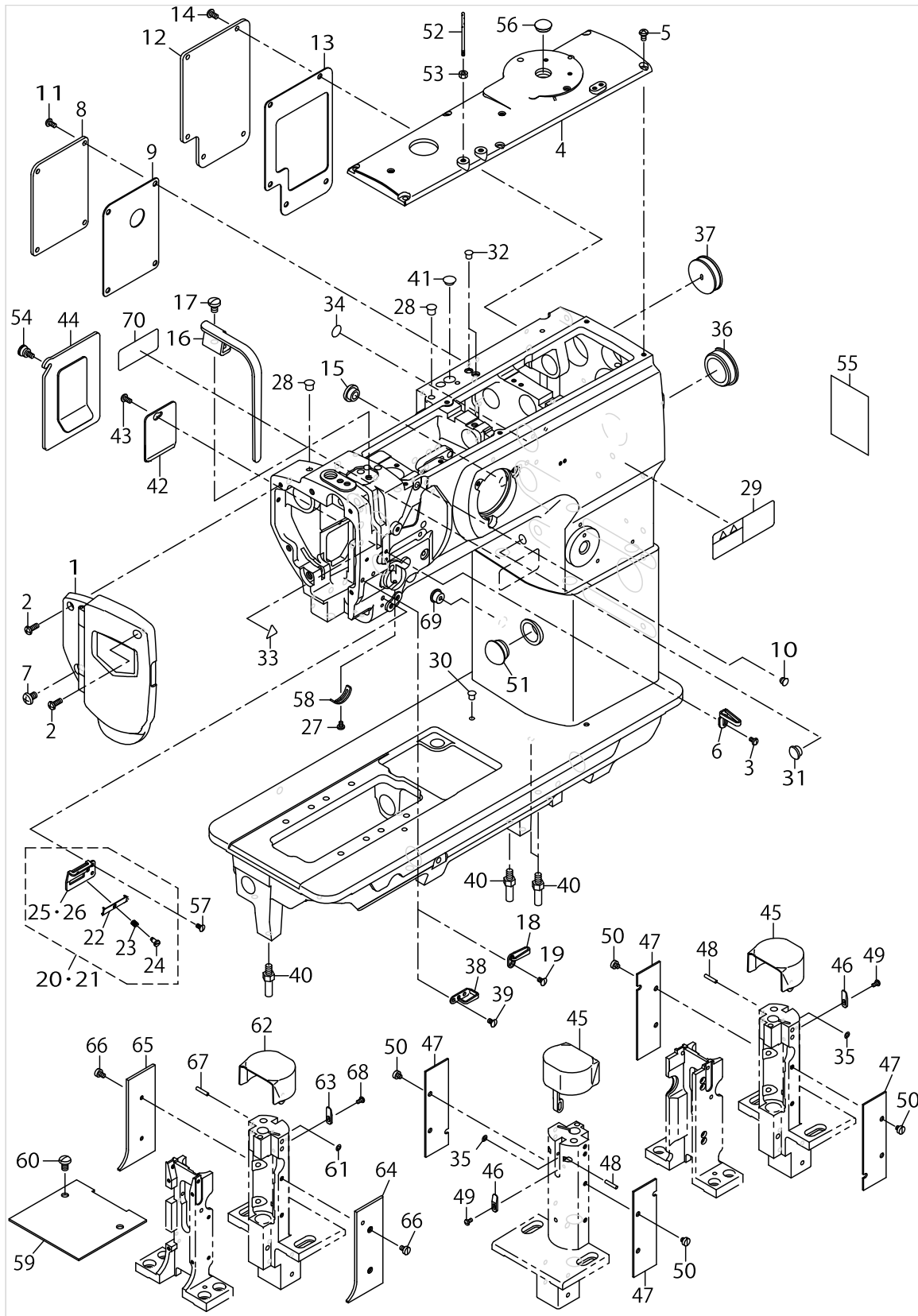
Published:05/12/2017

## CONTENTS

---

FRAME & MISCELLANEOUS COVER COMPONENTS .....	1
UPPER SHAFT,LOWER SHAFT DRIVING & BALANCE COMPONENTS .....	5
NEEDLE BAR ROCKING COMPONENTS .....	9
PRESSURE ADJUSTING & UPPER FEED MECHANISM COMPONENTS (FOR PLC-1710,..... PLC-1760)	11
PRESSURE ADJUSTING & UPPER FEED MECHANISM COMPONENTS (FOR PLC-1760L).....	15
FEED MECHANISM COMPONENTS (FOR PLC-1710,PLC-1760).....	19
FEED MECHANISM COMPONENTS (FOR PLC-1760L) .....	23
FEED BASE COMPONENTS.....	27
HOOK SHAFT & LOWER SHAFT COMPONENTS (FOR PLC-1710).....	29
HOOK SHAFT & LOWER SHAFT COMPONENTS (FOR PLC-1760,PLC-1760L).....	31
THREAD TENSION COMPONENTS (FOR PLC-1710).....	33
THREAD TENSION COMPONENTS (FOR PLC-1760,PLC-1760L).....	35
KNEE LIFTING COMPONENTS .....	39
LOWER THREAD WINDER MECHANISM COMPONENTS .....	41
LUBRICATION COMPONENTS (FOR ARM).....	43
LUBRICATION COMPONENTS (FOR HOOK SHAFT BASE).....	45
GAUGE COMPONENTS (STANDARD PARTS) (FOR PLC-1710) .....	47
GAUGE COMPONENTS (STANDARD PARTS) (FOR PLC-1760,PLC-1760L).....	49
HOOK COMPONENTS.....	51
THREAD STAND COMPONENTS.....	53
BELT COVER & OIL RESERVOIR COMPONENTS.....	55
AUTOMATIC PRESSER LIFTING MECHANISM COMPONENTS (OPTIONAL PARTS).....	57
AIR MECHANISM COMPONENTS (OPTIONAL PARTS).....	59
AUTOMATIC BACK COMPONENTS (FOR PLC-1710,PLC-1760 OPTIONAL PARTS).....	61
AUTOMATIC BACK COMPONENTS (FOR PLC-1760L OPTIONAL PARTS) .....	63
DL MECHANISM COMPONENTS (FOR PLC-1760L OPTIONAL PARTS).....	65
ADDITIONAL SPRING FOR PRESSER BAR COMPONENTS (FOR PLC-1710,PLC-1760..... OPTIONAL PARTS)	67
SUSPENSION SQUARE COMPONENTS (OPTIONAL PARTS) .....	69
HOOK COMPONENTS (OPTIONAL PARTS) .....	71
ACCESSORIES PARTS COMPONENTS .....	73
TABLE OF EXCHANGING GAUGE PARTS (FOR PLC-1760,PLC-1760L) .....	77
LIST FOR INFORMATION OF CHANGE.....	81
HOW TO MAKE USE OF THIS PARTS LIST .....	82

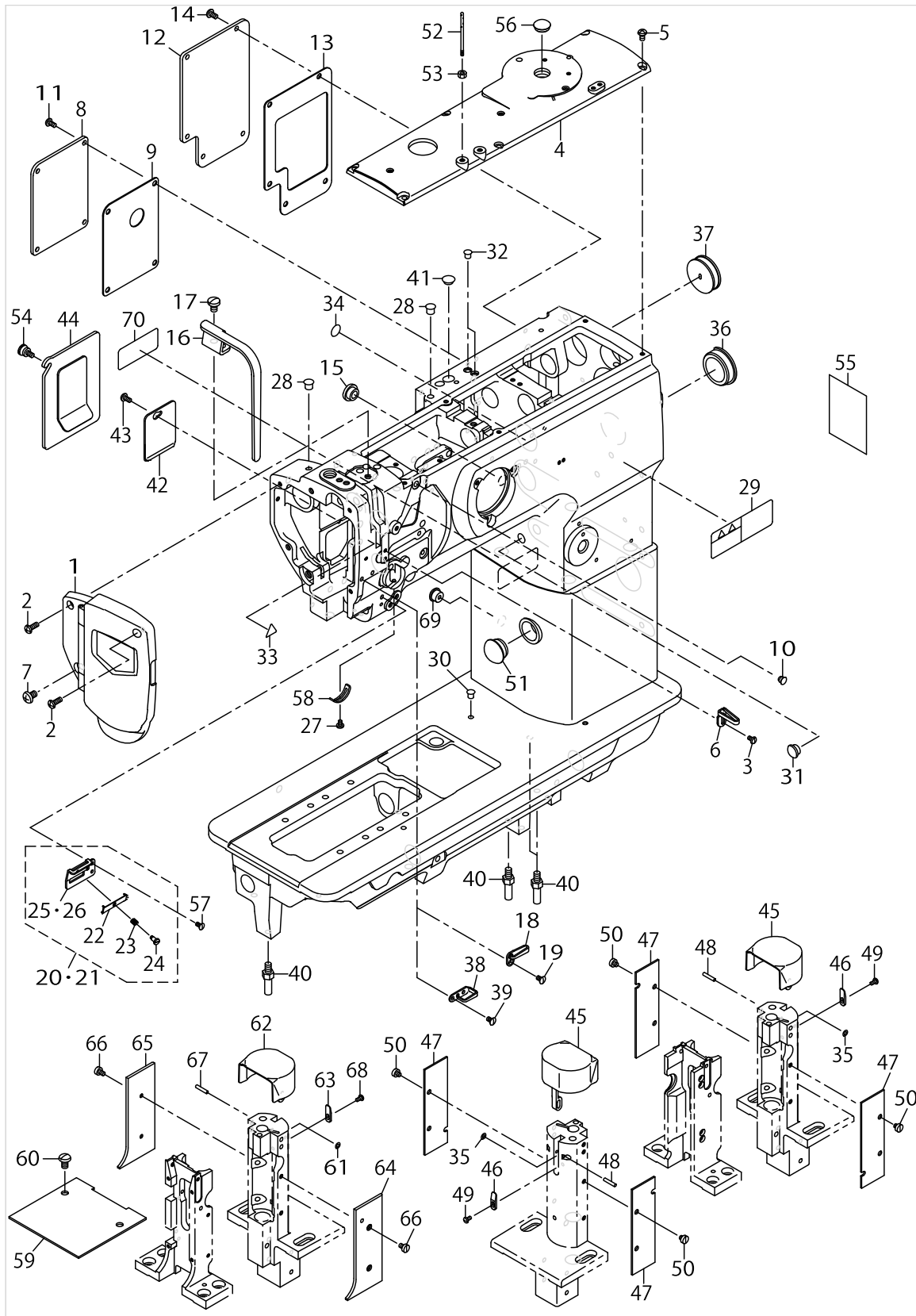
FRAME & MISCELLANEOUS COVER COMPONENTS



FRAME & MISCELLANEOUS COVER COMPONENTS

No.	Supply Code	Parts No.	Replacement	Parts name	Remarks	Choice	Step	Level	Cons	Qty	Rep. QTY
1		40016798		FACE PLATE ASM.						1	
2		SS4111215SP		SCREW11/64-40L=12						2	
3		SS5090610SP		SCREW 9/64-40 L=6						1	
4		21331301		TOP COVER B						1	
5		SS4110815SP		SCREW 11/64-40 L=8						6	
6		40108674		THREAD GUIDE						1	
7		SS4150915SP		SCREW 15/64-28 L=9						1	
8		21437108		WINDOW PLATE E	FOR PLC-1760L					1	
9		21437306		WINDOW PLATE E PACKING	FOR PLC-1760L					1	
10		TA0620504R0		CAP						2	
11		SS4110815SP		SCREW 11/64-40 L=8	FOR PLC-1760L					4	
12		21331806		WINDOW PLATE B						1	
13		21332002		WINDOW PLATE PACKING B						1	
14		SS4110815SP		SCREW 11/64-40 L=8						5	
15		TA1250504R0		RUBBER PLUG						1	
16		21331608		BALANCE COVER						1	
17		SS7150910TP		SCREW 15/64-28 L=9						1	
18		10101400		THREAD GUIDE C	FOR PLC-- 1710,PLC-1760					1	
19		SS2090710TP		SCREW 9/64-40 L=7.2	FOR PLC-- 1710,PLC-1760					1	
20		21408554		THREAD GUIDE ASM.	FOR PLC-- 1760,PLC-1760L					1	
21		40039838		THREAD GUIDE PLATE ASM.	FOR PLC-1710					1	
22		17912106		NEEDLE THREAD PRESSER PLATE				*		1	
23		B1132521000		THREAD PRESSER PLATE SPRING				*		1	
24		SD0380551SL		HINGE SCREW D=3.80 H=5.5				*		1	
25	R	21408505	21408554	THREAD GUIDE PLATE	FOR PLC-- 1760,PLC-1760L			*		1	1.00
26		40039839		THREAD GUIDE PLATE	FOR PLC-1710			*		1	
27		SS7090520TP		SCREW 9/64-40 L=4.5						1	
28		TA0750704R0		RUBBER PLUG						2	
29		CM301300001		SAFETY LABEL						1	
30		TA0550604R0		RUBBER PLUG						1	
31		TA1050504R0		RUBBER PLUG						1	
32		TA0550604R0		RUBBER PLUG						2	
33		CM300200001		ATTENTION SEAL						1	
34		22901805		GROUND MARK						1	
35		WZ0320290UZ		WASHER3.2X6.5X0.15	FOR PLC-- 1760,PLC-1760L					2	
36		22619100		CAP						1	
37		10201200		RUBBER PLUG						1	
38		40108675		FRAME THREAD GUIDE	FOR PLC-1760L					1	
39		SS2090710TP		SCREW 9/64-40 L=7.2	FOR PLC-1760L					1	
40		22602601		BED SCREW STUD						4	
41		TA1250504R0		RUBBER PLUG						1	
42		21332309		SIDE COVER						1	
43		SS4110815SP		SCREW 11/64-40 L=8						1	
44		21331756		WINDOW PLATE A ASM.	FOR PLC-- 1710,PLC-1760					1	

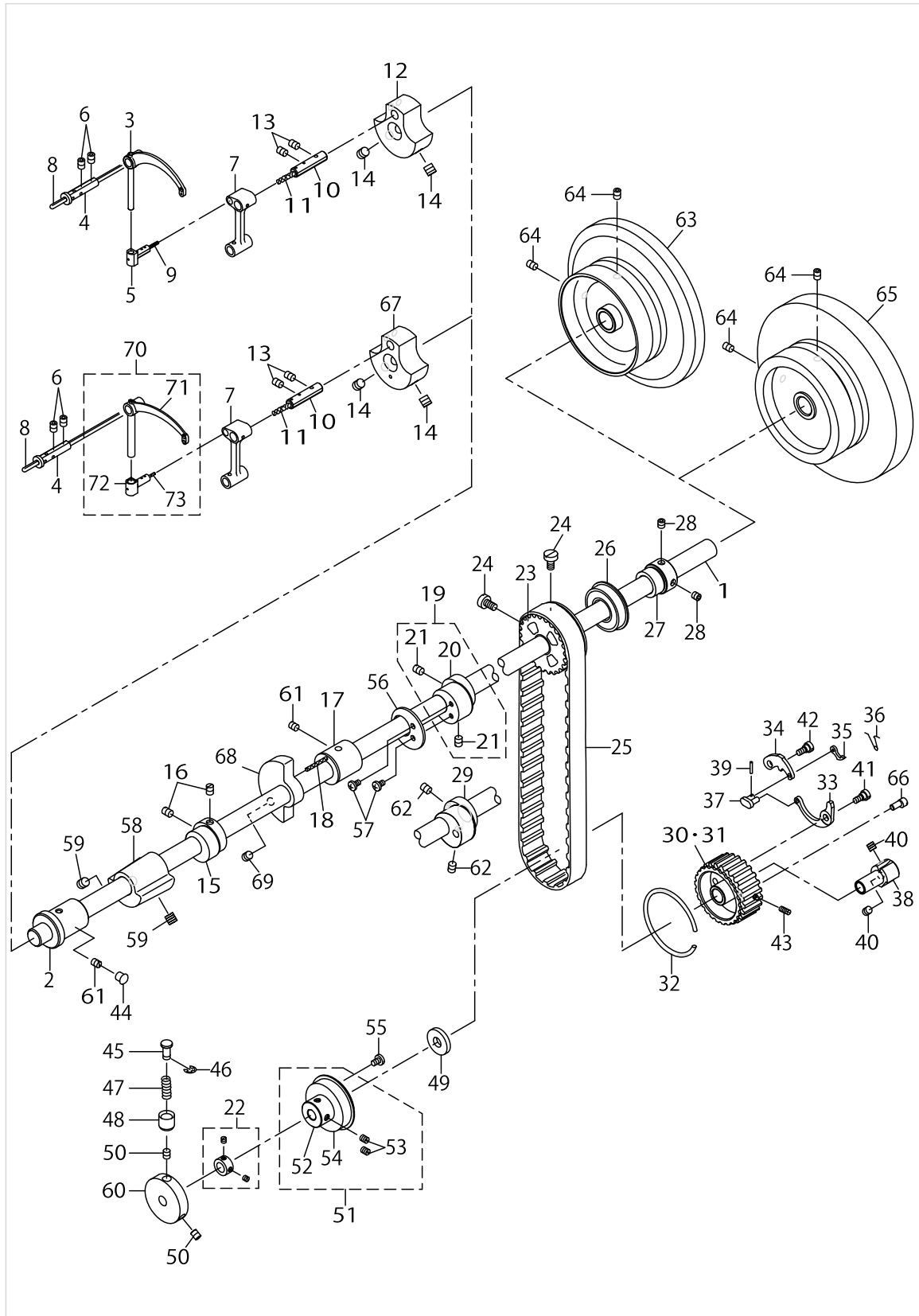
FRAME & MISCELLANEOUS COVER COMPONENTS



FRAME & MISCELLANEOUS COVER COMPONENTS

No.	Supply Code	Parts No.	Replacement	Parts name	Remarks	Choice	Step	Level	Cons	Qty	Rep. QTY
45		40038688		HOOK COVER ASM.	FOR PLC-- 1760,PLC-1760L					2	
46		40017269		SLIDE PLATE	FOR PLC-- 1760,PLC-1760L					2	
47		40017316		HOOK SHAFT SADDLE COVER	FOR PLC-- 1760,PLC-1760L					4	
48		40038691		HOOK COVER HINGE SHAFT	FOR PLC-- 1760,PLC-1760L					2	
49		SS4080620TP		SCREW 1/8-44 L=6	FOR PLC-- 1760,PLC-1760L					2	
50		SS6110480SP		SCREW 11/64-40 L=4.3						8	
51		TA2100904R0		RUBBER PLUG						1	
52		40052262		THREAD GUIDE PIN						1	
53		NS6620310SP		NUT 3/16-32						1	
54		21331202		SETSCREW	FOR PLC-- 1710,PLC-1760					1	
55		40019114		LUBRICATION SUPPLEMENT						1	
56		TA1450404R0		RUBBER PLUG D=14.5 L=4	FOR PLC-- 1710,PLC-1760					1	
57		SS2090710TP		SCREW 9/64-40 L=7.2						1	
58		B3138512000		TAKE-UP SPRING A- DJUSTING PLATE						1	
59		40039831		BED COVER	FOR PLC-1710					1	
60		SM4061001SB		SCREW M6 L=10	FOR PLC-1710					2	
61		WZ0320290UZ		WASHER 3.2X6.5X0.15	FOR PLC-1710					1	
62		40038688		HOOK COVER ASM.	FOR PLC-1710					1	
63		40017269		SLIDE PLATE	FOR PLC-1710					1	
64		40017264		FEED LEVER BASE COVER A	FOR PLC-1710					1	
65		40017265		FEED LEVER BASE COVER B	FOR PLC-1710					1	
66	R	SS6090620SP	SS6090620TP	SCREW 9/64-40 L=6	FOR PLC-1710					4	1.00
67		40038691		HOOK COVER HINGE SHAFT	FOR PLC-1710					1	
68		SS4080620TP		SCREW 1/8-44 L=6	FOR PLC-1710					1	
69		TA1100604R0		PLUG						1	
70	D	40094561		SEWING MACHINE LABEL (EU)	FOR EU					1	

UPPER SHAFT, LOWER SHAFT DRIVING & BALANCE COMPONENTS

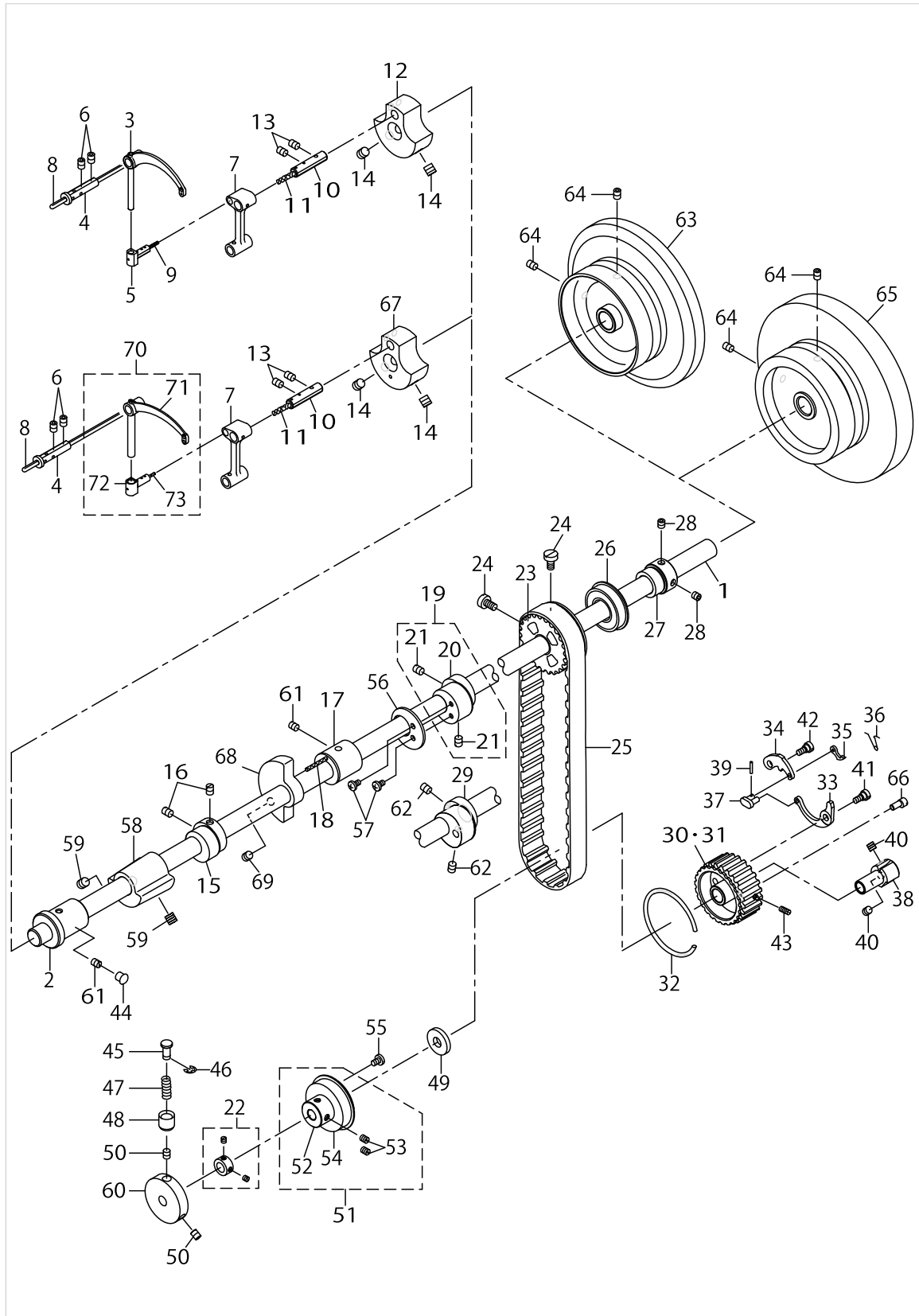


UPPER SHAFT,LOWER SHAFT DRIVING & BALANCE COMPONENTS

No.	Supply Code	Parts No.	Replacement	Parts name	Remarks	Choice	Step	Level	Cons	Qty	Rep. QTY
1		21332705		UPPER SHAFT						1	
2		21333000		UPPER SHAFT FRONT METAL						1	
3		23001001		THREAD TAKE-UP LEVER	FOR PLC-- 1710,PLC-1760					1	
4		B1906051000		TAKE-UP LEVER PIN						1	
5		21333307		BALANCE SLIDE SHAFT	FOR PLC-- 1710,PLC-1760					1	
6		SS8150822TP		SCREW 15/64-28 L=8						2	
7		40038704		NEEDLE BAR CRANK ROD						1	
8		CQ303000000		OIL WICK						.2	
9		CQ202000000		OIL WICK	FOR PLC-- 1710,PLC-1760					.03	
10		B1210051000		NEEDLE BAR CRANK PIN						1	
11		CQ505000000		OIL WICK						.03	
12		21332507		COUNTER WEIGHT (A) (36MM)	FOR PLC-- 1710,PLC-1760					1	
13		SS8150822TP		SCREW 15/64-28 L=8						2	
14		SM8080812TP		SCREW M8X8						2	
15	R	21339502	21339551	UPPERFEEDCAM(3.5)	FOR PLC-- 1710,PLC-1760					1	1.00
16		SS8660810TP		SCREW 1/4-40 L=8	FOR PLC-- 1710,PLC-1760					2	
17		21333109		UPPER SHAFT INNER METAL						1	
18		CQ202000000		OIL WICK						.2	
19		21336557		ECCENTRIC CAM A ASM.	FOR PLC-- 1710,PLC-1760					1	
20	R	21336508	21336557	ECCENTRIC CAM A	FOR PLC-- 1710,PLC-1760			*		1	1.00
21		SS8660810TP		SCREW 1/4-40 L=8	FOR PLC-- 1710,PLC-1760			*		2	
22		CS0950810SH		THRUST COLLAR ASM. D=9.5 W=8						1	
23		40038692		UPPER SPROCKET						1	
24		SS6661110SP		SCREW 1/4-40 L=11						2	
25		40038694		TIMING BELT (960)						1	
26		B1203512000		BUSHING REAR						1	
27		21402300		UPPER SHAFT BEARING HOOK						1	
28		SM8060602TP		SCREW M6X6						2	
29		40019905		TRIANGUAR CAM A	FOR PLC-1760L					1	
30		40038703		LOWER SPROCKET	SELECTIVE PARTS					1	
31		21387501		LOWER SPROCKET	SELECTIVE PARTS					1	
32		B1214019000		SPROCKET RING						1	
33		21387709		SAFETY CLUTCH SPRING						1	
34		21387600		SAFETY CLUTCH HOOK						1	
35		B1308055000		SAFETY CLUTCH COUNTER-HOOK						1	
36		40113224		COUNTER HOOK SPRING						1	
37		B1310055000		SAFETY CLUTCH SMALL LINK						1	
38		21387808		SAFETY BASE						1	
39		B1314055000		SAFETY CLUTCH SMALL LINK PIN						1	
40		SS8660612TP		SCREW 1/4-40 L=6						2	
41		SD0640322TP		HINGE SCREW D=6.35 H=3.2						1	
42		SD0640322TP		HINGE SCREW D=6.35 H=3.2						1	
43		SS8111010TP		SCREW 11/64-40 L=9.5						1	



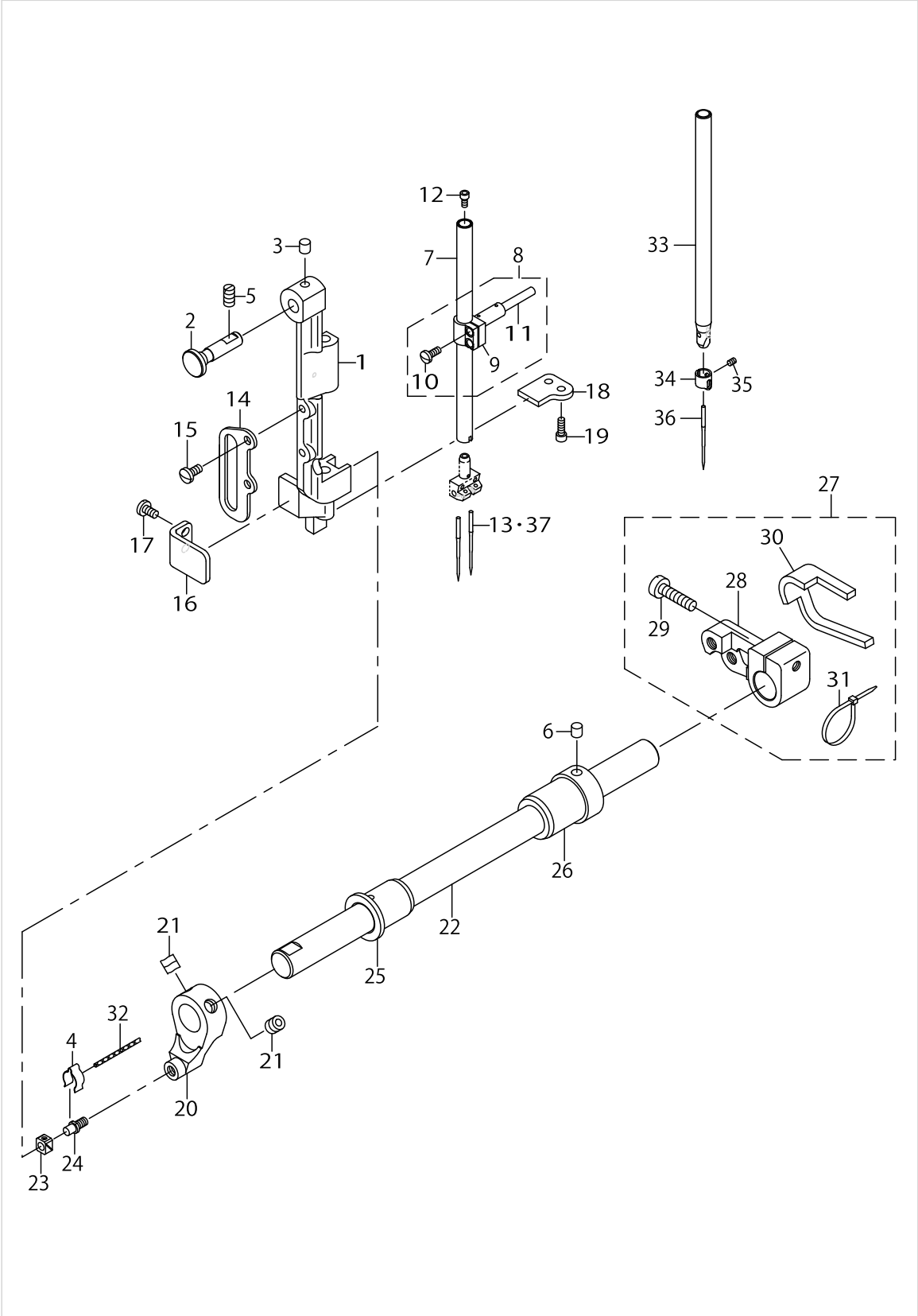
UPPER SHAFT, LOWER SHAFT DRIVING & BALANCE COMPONENTS



UPPER SHAFT,LOWER SHAFT DRIVING & BALANCE COMPONENTS

No.	Supply Code	Parts No.	Replacement	Parts name	Remarks	Choice	Step	Level	Cons	Qty	Rep. QTY
44		TA0750704R0		RUBBER PLUG						1	
45		B1312563000A		SAFETY CLUTCH PUSH BUTTON						1	
46		RE0500000K0		E-RING						1	
47		B1639051000		SPRING						1	
48		B1313055000		SAFETY CLUTCH KNOB SLEEVE						1	
49		40016148		THRUST COLLAR B WASHER						1	
50		SS8150710TP		SCREW 15/64-28 L=7						2	
51		40038700		THRUST COLLAR ASM.						1	
52	R	40038702	40038700	THRUST COLLAR				*		1	1.00
53		SS8661030SP		SCREW 1/4-40 L=10				*		2	
54		SB120000200		BEARING 20X42				*		1	
55		SS7120760SP		SCREW 3/16-28 L=7.0						2	
56		21353008		HORIZONTAL FEED CAM COVER	FOR PLC-- 1710,PLC-1760					1	
57		SS7110710SP		SCREW 11/64-40 L=7	FOR PLC-- 1710,PLC-1760					2	
58		40038830		BALANCER	FOR PLC-1760L					1	
59		SM8061212TP		SCREW M6X12	FOR PLC-1760L					2	
60		21333703		SAFETY CLUTCH DISC						1	
61		SS8150710TP		SCREW 15/64-28 L=7						2	
62		SS8660612TP		SCREW 1/4-40 L=6	FOR PLC-1760L					1	
63		21334008		FLYWHEEL	FOR PLC-- 1710,PLC-1760					1	
64		SS8150822TP		SCREW 15/64-28 L=8						2	
65		23053606		FLYWHEEL	FOR PLC-1760L					1	
66		21387907		ADJUSTING PIN (1.2)						1	
67		21332606		COUNTER WEIGHT (B) (38MM)	FOR PLC-1760L					1	
68		21333406		BALANCER	FOR PLC-- 1710,PLC-1760					1	
69		SS8151550SP		SCREW15/64-28L=15	FOR PLC-- 1710,PLC-1760					2	
70	R	B19055200A0	B19055200C0	THREAD TAKE-UP LEVER	FOR PLC-1760L					1	1.00
71		B1905520000		THREAD TAKE-UP LEVER				*		1	
72		B1907057000		THRUST PIN				*		1	
73		CQ202000000		OIL WICK				*		1	

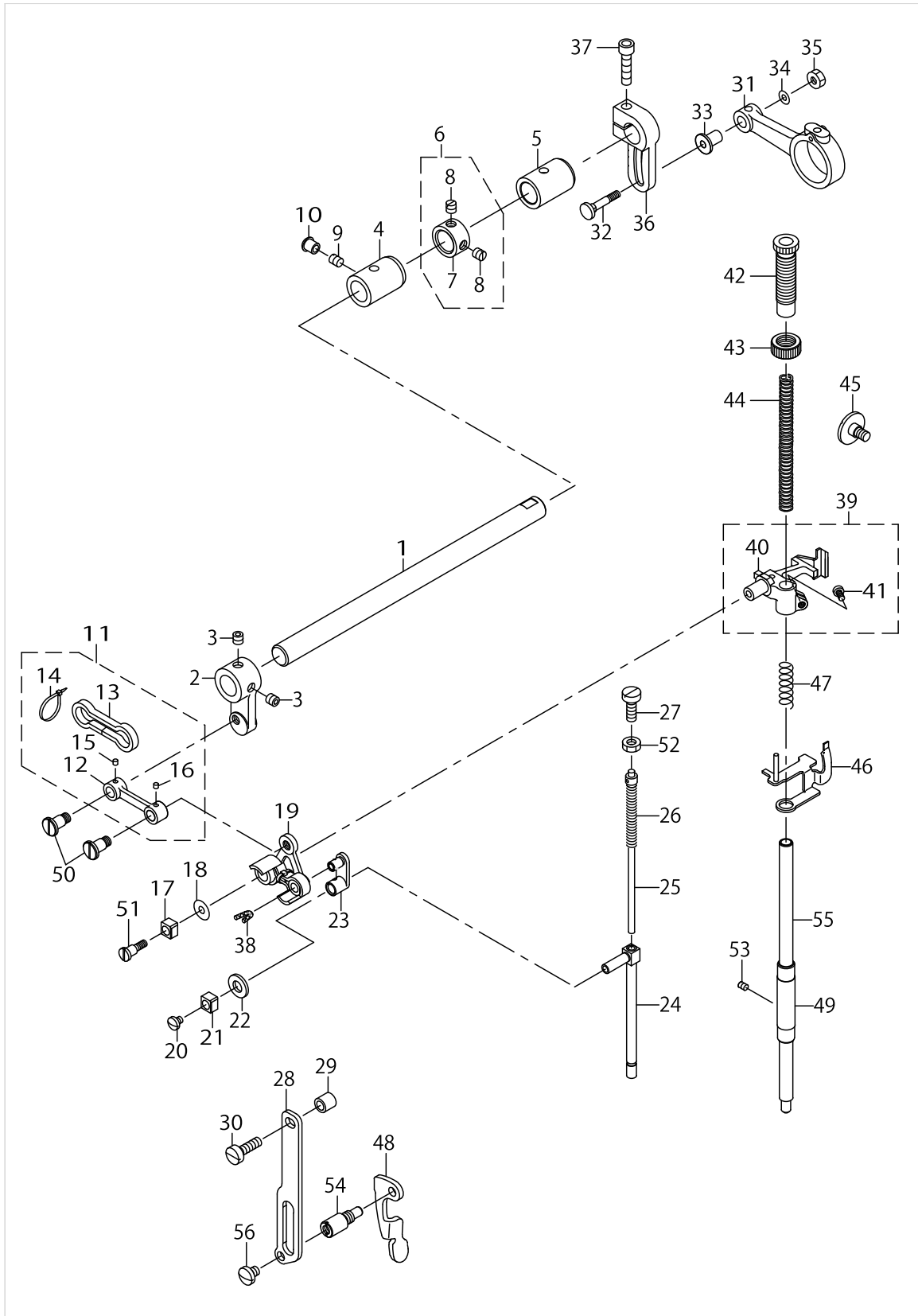
NEEDLE BAR ROCKING COMPONENTS



NEEDLE BAR ROCKING COMPONENTS

No.	Supply Code	Parts No.	Replacement	Parts name	Remarks	Choice	Step	Level	Cons	Qty	Rep. QTY
1		23002009		NEEDLE BAR FRAME						1	
2		21405204		HINGE STUD						1	
3		22814909		FELT						1	
4		B1437051000		OIL WICK RETAINER						1	
5		SS8151150TP		SCREW 15/64-28 L=10.5						1	
6		22814909		FELT						1	
7		21451406		NEEDLE BAR	FOR PLC-- 1760,PLC-1760L					1	
8		B14110570A0		NEEDLE BAR CLAMP ASM.						1	
9	R	B1411057000	B14110570A0	NEEDLE BAR CONNECTION					*	1	1.00
10	R	SS7090910SP	SS7090910TP	SCREW 9/64-40 L=8.5					*	2	1.00
11		B1412051000		FELT					*	1	
12		SM6030602TP		SCREW M3X0.5 L=6	FOR PLC-- 1760,PLC-1760L					1	
13		MC321001400		NEEDLE 134-35 #140	FOR PLC-1760				☆	2	
14		21438007		UPPER FEED BAR GUIDE						1	
15		SS7110910TP		SCREW 11/64-40 L=8.5						2	
16		21388400		ROCKING BASE GUIDE						1	
17		SS7110830SP		SCREW 11/64-40 L=7.5						2	
18		21338603		ROCKING BASE GUIDE (B)						1	
19		SS6091022TP		SCREW						2	
20		21338801		ROCKINGFRONTARM						1	
21		SM8080802TP		SCREW						2	
22		21338900		ROCKING SHAFT						1	
23		B1414232000		SQUARE BLOCK						1	
24		B1410771000		STUD						1	
25		21339304		ROCKING SHAFT FRONT METAL						1	
26		40027746		BUSHING REAR						1	
27		40039270		ROCKING REAR ARM ASM.						1	
28		40039269		ROCKING REAR ARM					*	1	
29		SS6152440SP		SCREW 15/64-28 L=23.5					*	1	
30		23062102		ROCKING REAR ARM FELT					*	1	
31		EA9500B0100		CABLE BAND					*	2	
32		CQ202000000		OIL WICK						.05	
33		B1401246000		NEEDLE BAR	FOR PLC-1710					1	
34		40039836		NEEDLE BAR THREAD RACK	FOR PLC-1710					1	
35		SS8080410TP		SCREW 1/8-44 L=3.5	FOR PLC-1710				☆	1	
36		MC321001300		NEEDLE 134-35 #130	FOR PLC-1710				☆	1	
37		MC321002000		NEEDLE 134-35 #200	FOR PLC-1760L				☆	2	

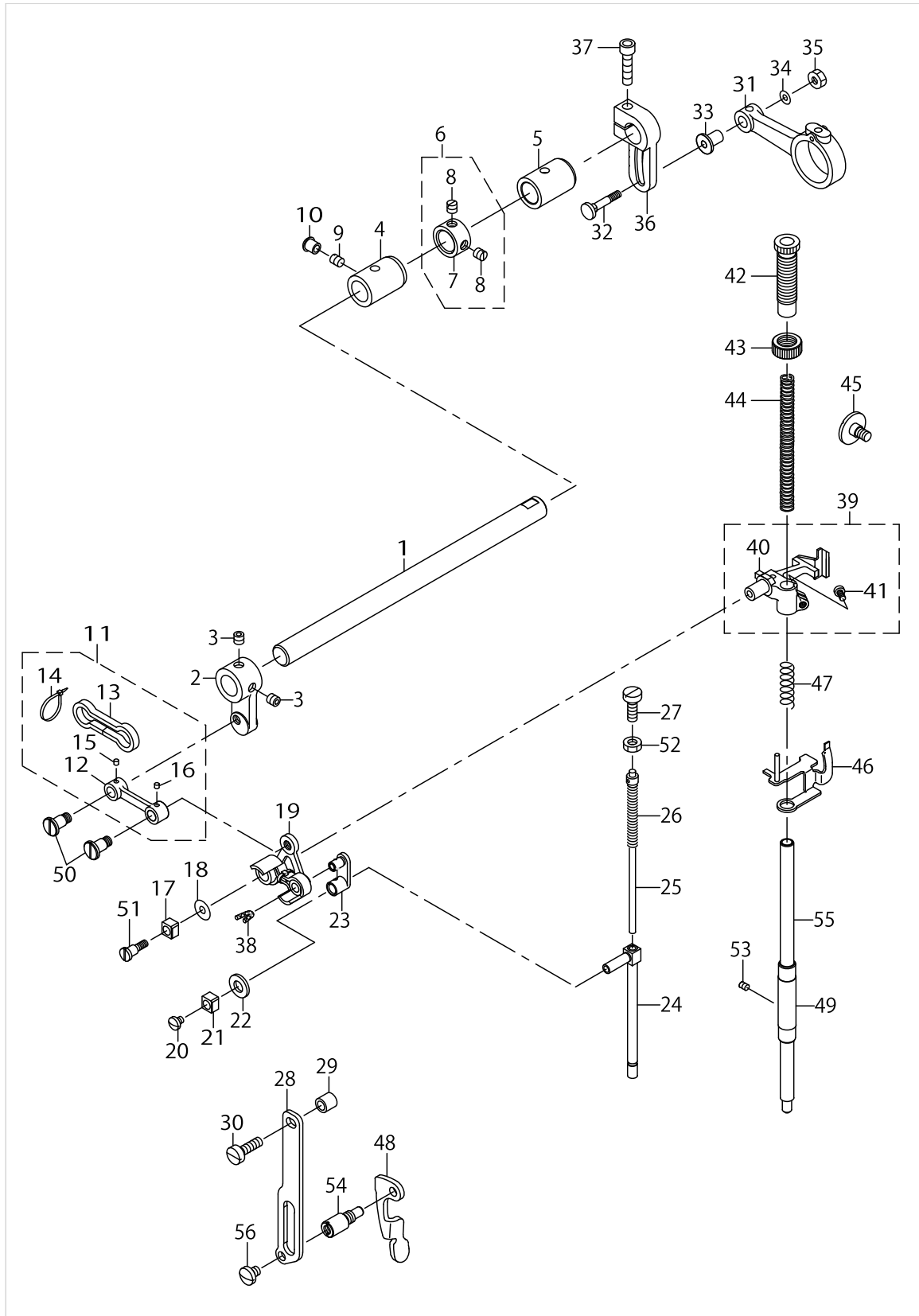
PRESSURE ADJUSTING & UPPER FEED MECHANISM COMPONENTS (FOR PLC-1710,PLC-1760)



PRESSURE ADJUSTING & UPPER FEED MECHANISM COMPONENTS (FOR PLC-1710,PLC-1760)

No.	Supply Code	Parts No.	Replacement	Parts name	Remarks	Choice	Step	Level	Cons	Qty	Rep. QTY
1		21340401		UPPER FEED SHAFT						1	
2		21340500		UPPER FEED FRONT ARM						1	
3		SS8660612TP		SCREW 1/4-40 L=6						2	
4		40039326		FRONT METAL						1	
5		21378302		FEED SHAFT METAL						1	
6		22904155		MAIN SHAFT THRU-ST COLLAR ASM.						1	
7	R	22904106	22904155	MAIN SHAFT THRUST COLLAR				*		1	1.00
8		SS8660610TP		SCREW 1/4-40 L=6				*		2	
9		SS8150710TP		SCREW 15/64-28 L=7						1	
10		TA0750704R0		RUBBER PLUG						1	
11		40033027		UPPER FEED LINK ASM.						1	
12		40033026		UPPER FEED LINK				*		1	
13		21347109		FELT				*		1	
14		EA9500B0000		CLIP CV-70S				*		2	
15		CQ3000000F0		OIL FELT				*		0.-003	
16		CQ3000000F0		OIL FELT				*		0.-003	
17		B1414555000		SLIDE BLOCK						1	
18		WP0501046SC		WASHER 5X14X1						1	
19		40033029		TRIANGULAR LEVER ASM.						1	
20		SS7110510SP		SCREW 11/64-40 L=5						1	
21		B1414555000		SLIDE BLOCK						1	
22		10509701		FELT						1	
23		40018341		WALKING BAR DRIVING LINK						1	
24		40033033		WALKING BAR B						1	
25		B14670530A0		WALKING BAR ASM.						1	
26		B1468053000		WALKING BAR SPRING						1	
27		SS6151780SP		SCREW 15/64-28 L=17.0						1	
28		21406509		UPPER FEED GUIDE PLATE						1	
29		26225201		ROLLER						1	
30		SS6151920SP		SCREW 15/64-28 L=19.0						1	
31		21340104		UPPER FEED ROD						1	
32		D1456055B00		HINGE SCREW						1	
33		D1455055B00		CONNECTING STUD						1	
34		WP0482086SD		WASHER 4.8X11.5X2						1	
35		NS6110530SP		NUT 11/64-40						1	
36		21437900		UPPER FEED REAR ARM						1	
37		SM6062502TP		SCREW M6 L=25						1	
38		CQ252000000		OIL WICK						.02	
39		40039265		PRESSURE BAR HOLDER ASM.						1	
40		40039266		PRESSURE BAR HOLDER C				*		1	
41		SS7110910TP		SCREW 11/64-40 L=8.5				*		1	
42		21340906		PRESSER ADJUSTING SCREW						1	
43	R	22907604	22907554	PRESSER SPRING REGULATOR NUT						1	1.00
44		B1502246000		PRESSER SPRING						1	
45		40038705		PRESSURE BAR HOLDER GUIDE						1	

PRESSURE ADJUSTING & UPPER FEED MECHANISM COMPONENTS (FOR PLC-1710,PLC-1760)

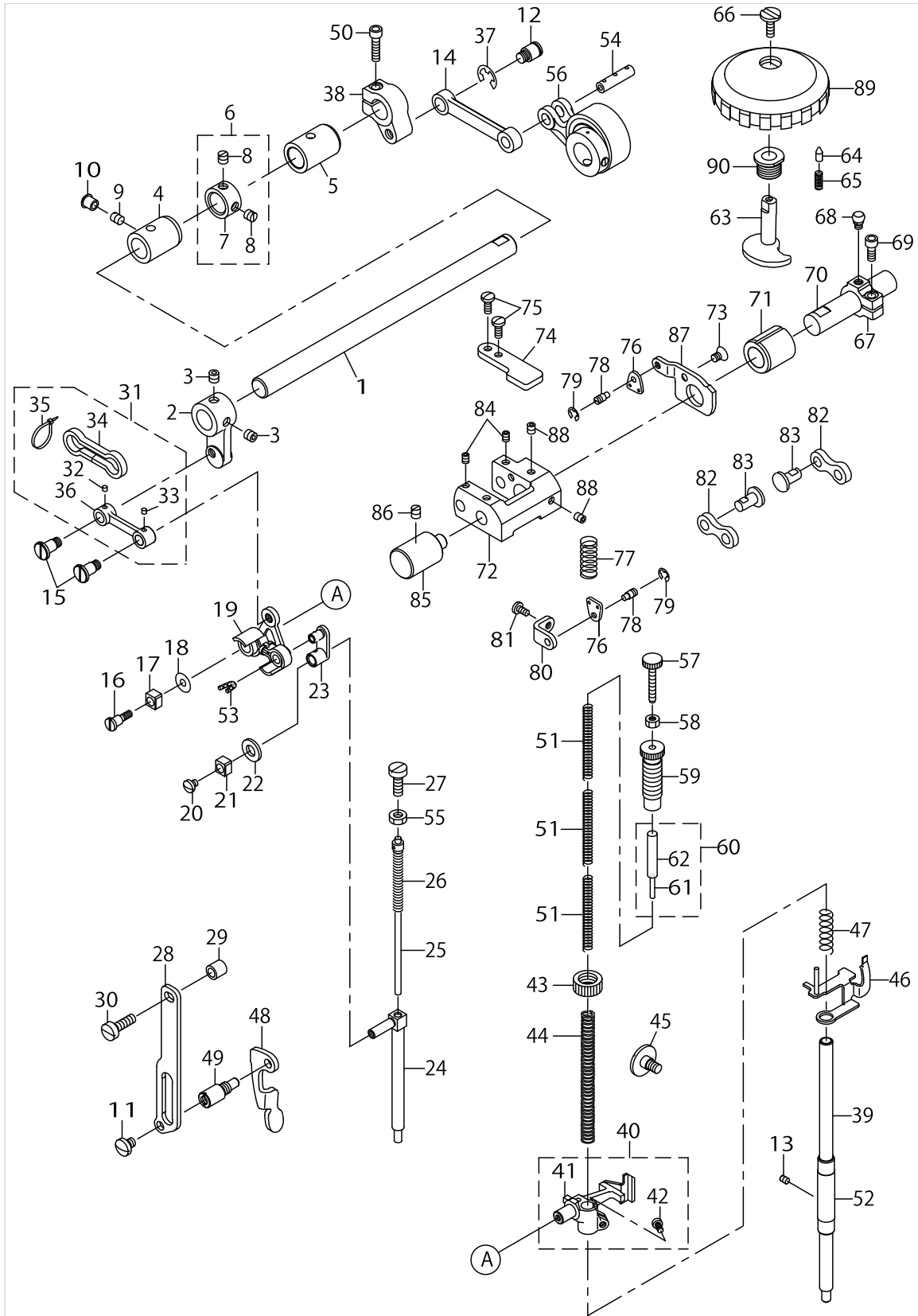


PRESSURE ADJUSTING & UPPER FEED MECHANISM COMPONENTS (FOR PLC-1710,PLC-1760)

No.	Supply Code	Parts No.	Replacement	Parts name	Remarks	Choice	Step	Level	Cons	Qty	Rep. QTY
46		40017276		THREAD RELEASE PLATE COMPL.						1	
47		B1462053000		THREAD RELEASE SPRING						1	
48		21406103		PRESSER LIFTER LEVER						1	
49		22907109		PRESSER BAR BUSHING LOWER						1	
50		40018340		SCREW						2	
51		40018339		SCREW						1	
52		NS6150430SP		NUT 15/64-28						1	
53		SS8110520TP		SCREW 11/64-40 L=4.5						1	
54		21406608		GUIDE PLATE SPACER						1	
55		21451505		PRESSER BAR						1	
56		SS7150740SP		SCREW 15/64-28 L=7						1	



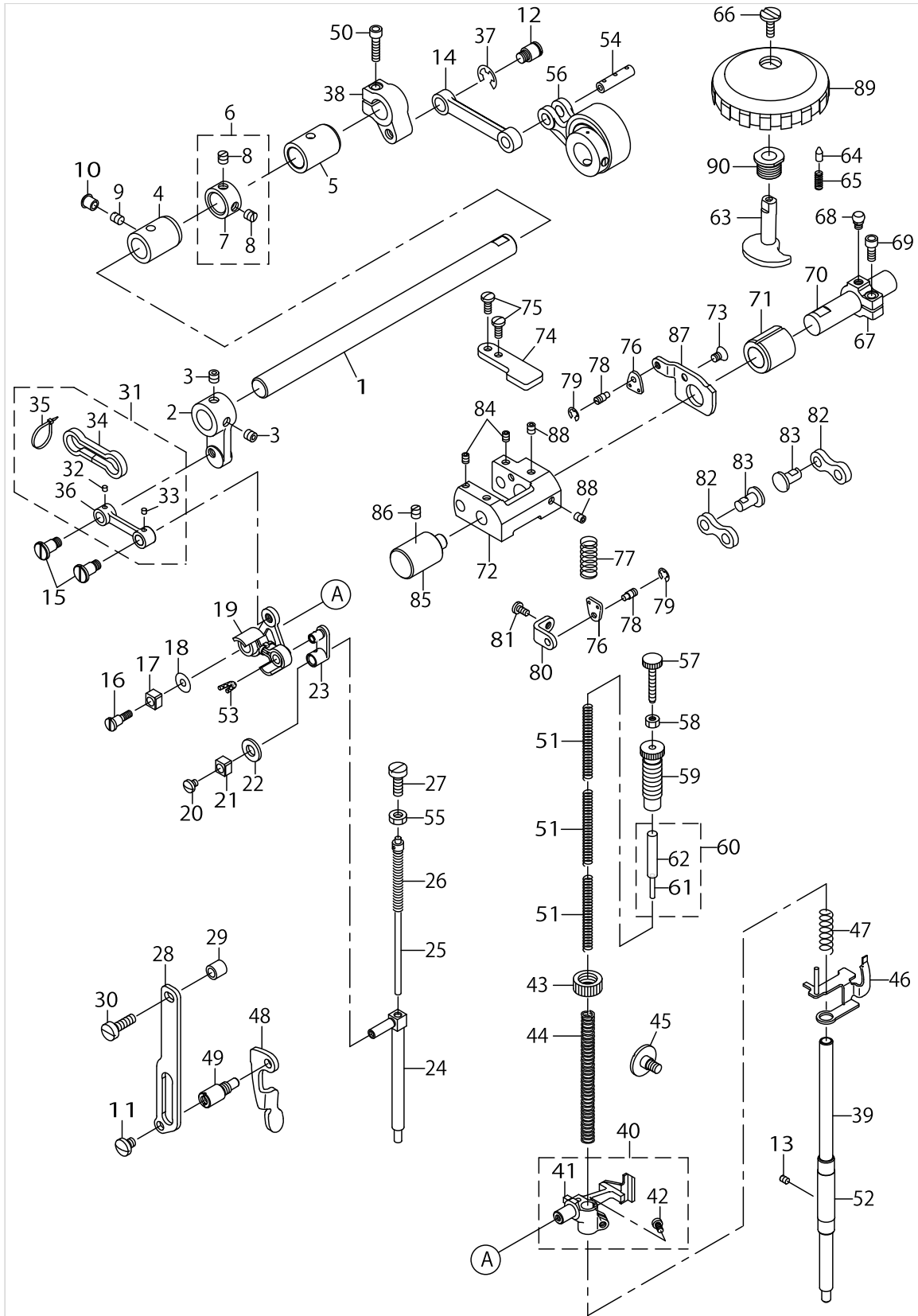
PRESSURE ADJUSTING & UPPER FEED MECHANISM COMPONENTS (FOR PLC-1760L)



PRESSURE ADJUSTING & UPPER FEED MECHANISM COMPONENTS (FOR PLC-1760L)

No.	Supply Code	Parts No.	Replacement	Parts name	Remarks	Choice	Step	Level	Cons	Qty	Rep. QTY
1		21340401		UPPER FEED SHAFT						1	
2		21340500		UPPER FEED FRONT ARM						1	
3		SS8660612TP		SCREW 1/4-40 L=6						2	
4		40039326		FRONT METAL						1	
5		21378302		FEED SHAFT METAL						1	
6		22904155		MAIN SHAFT THRU-ST COLLAR ASM.						1	
7	R	22904106	22904155	MAIN SHAFT THRUST COLLAR				*		1	1.00
8		SS8660610TP		SCREW 1/4-40 L=6				*		2	
9		SS8150710TP		SCREW 15/64-28 L=7						1	
10		TA0750704R0		RUBBER PLUG						1	
11		SS7150740SP		SCREW 15/64-28 L=7						1	
12		21048707		HINGE SCREW						1	
13		SS8110520TP		SCREW 11/64-40 L=4.5						1	
14		21340005		UPPER FEED LINK (B)						1	
15		40018340		SCREW						2	
16		40018339		SCREW						1	
17		B1414555000		SLIDE BLOCK						1	
18		WP0501046SC		WASHER 5X14X1						1	
19		40033029		TRIANGULAR LEVER ASM.						1	
20		SS7110510SP		SCREW 11/64-40 L=5						1	
21		B1414555000		SLIDE BLOCK						1	
22		10509701		FELT						1	
23		40018341		WALKING BAR DRIVING LINK						1	
24		40033033		WALKING BAR B						1	
25		B14670530A0		WALKING BAR ASM.						1	
26		B1468053000		WALKING BAR SPRING						1	
27		SS6151780SP		SCREW 15/64-28 L=17.0						1	
28		21406509		UPPER FEED GUIDE PLATE						1	
29		26225201		ROLLER						1	
30		SS6151920SP		SCREW 15/64-28 L=19.0						1	
31		40033027		UPPER FEED LINK ASM.						1	
32		CQ3000000F0		OIL FELT				*		0.-003	
33		CQ3000000F0		OIL FELT				*		0.-003	
34		21347109		FELT				*		1	
35		EA9500B0000		CLIP CV-70S				*		2	
36		40033026		UPPER FEED LINK				*		1	
37		RE0800000K0		E-SHAPED SNAP RING (8MM)						1	
38		21340302		UPPER FEED REAR ARM (B)						1	
39		21451505		PRESSER BAR						1	
40		40039265		PRESSURE BAR HOLDER ASM.						1	
41		40039266		PRESSURE BAR HOLDER C				*		1	
42		SS7110910TP		SCREW 11/64-40 L=8.5				*		1	
43	R	22907604	22907554	PRESSER SPRING REGULATOR NUT						1	1.00
44		B1502246000		PRESSER SPRING						1	
45		40038705		PRESSURE BAR HOLDER GUIDE						1	

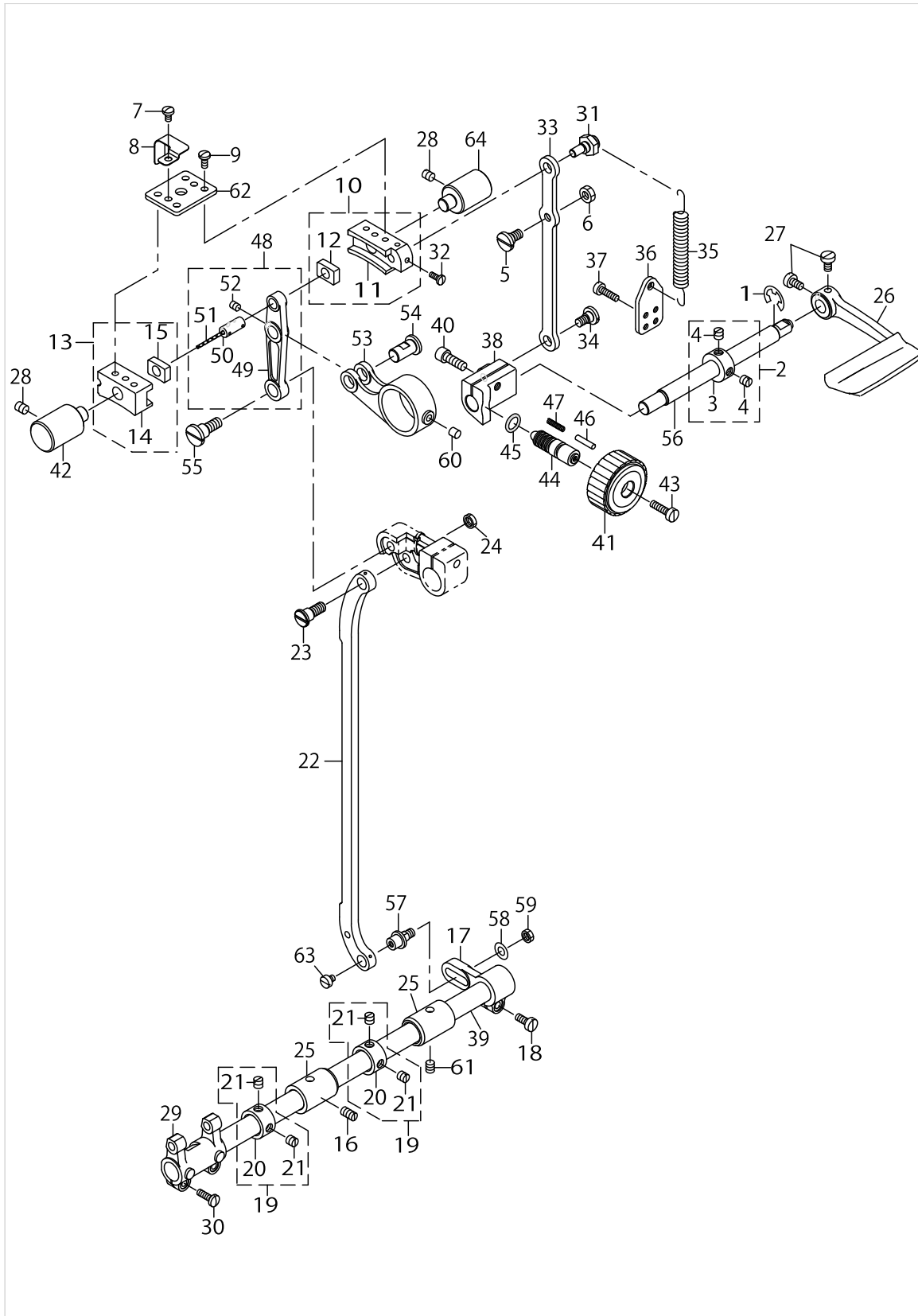
PRESSURE ADJUSTING & UPPER FEED MECHANISM COMPONENTS (FOR PLC-1760L)



PRESSURE ADJUSTING & UPPER FEED MECHANISM COMPONENTS (FOR PLC-1760L)

No.	Supply Code	Parts No.	Replacement	Parts name	Remarks	Choice	Step	Level	Cons	Qty	Rep. QTY
46		40017276		THREAD RELEASE PLATE COMPL.						1	
47		B1462053000		THREAD RELEASE SPRING						1	
48		21406103		PRESSER LIFTER LEVER						1	
49		21406608		GUIDE PLATE SPACER						1	
50		SM6052002TP		SCREW M5 L=20						1	
51		21006002		ADJUST SPRING B						3	
52		22907109		PRESSER BAR BUSHING LOWER						1	
53		CQ252000000		OIL WICK						.02	
54		10713808		CONNECTION LINK PIN B						1	
55		NS6150430SP		NUT 15/64-28						1	
56		40075553		ECCENTRIC ROD (SET)						1	
57		21006507		ADJUST SCREW B						1	
58		NS6110530SP		NUT 11/64-40						1	
59		21006408		ADJUST SCREW A						1	
60		40072709		SPRING SUPPORT SHAFT ASM.						1	
61		PS0300242K0		SPRING PIN 3.0X24				*		1	
62		40072708		SPRING SUPPORT SHAFT				*		1	
63		40108542		VERTICAL ADJUSTING CAM						1	
64		10715704		VERTICAL DIAL PIN						1	
65		B152652700G		SPRING						1	
66		SS6110630TP		SCREW 11/64-40 L=6						1	
67		21341607		VERTICAL ADJUSTING ARM						1	
68		10715308		PIN						1	
69		SM6051202TP		SCREW M5X0.8 L=12						1	
70		21341508		VERTICAL CHANGE BASE SHAFT						1	
71		10718203		FEED SHAFT FRONT METAL						1	
72		10714202		VERTICAL CHANGE BELT						1	
73	R	SM1050801SR	SM1050801SC	SCREW M5 L=8						1	1.00
74		21339700		UPPER FEED STOPPER PLATE (B)						1	
75		SS7111120TP		SCREW						2	
76		10713501		SPRING HOOK						2	
77		10716504		VERTICAL SHAFT SPRING						1	
78		B3416552000		CONNECTING ROD HINGE SCREW						2	
79		RE0500000K0		E-RING						2	
80		21339809		UPPER FEED DOG SPRING HOOK						1	
81		SS7110830SP		SCREW 11/64-40 L=7.5						1	
82		40107949		CONNECTION LINK B						2	
83	R	10714608	40052263	CONNECTION LINK B SUPPORT PIN						2	1.00
84		SM8050602TP		SCREW M5 L=6						2	
85		21337803		FEED ADJUSTING BASE SUPPORT						1	
86	R	SS8150710SP	SS8150710TP	SCREW 15/64-28 L=7						1	1.00
87		21339601		UPPER FEED STOPPER PLATE (A)						1	
88		SM8050602TP		SCREW M5 L=6						2	
89	R	10774305	10774354	VERTICAL DIAL						1	1.00
90		10715100		VERTICAL DIAL SHAFT BUSHING						1	

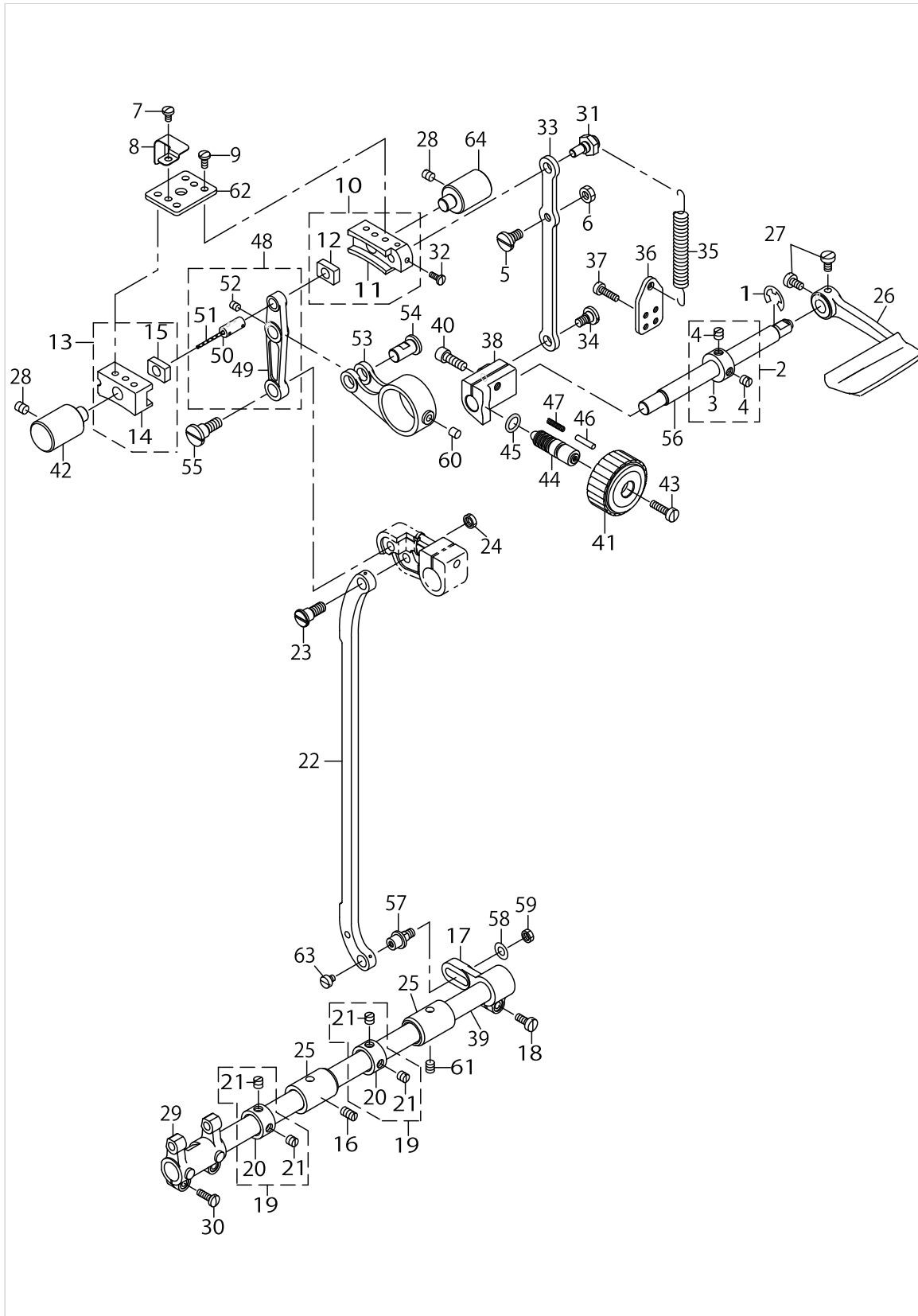
FEED MECHANISM COMPONENTS (FOR PLC-1710,PLC-1760)



FEED MECHANISM COMPONENTS (FOR PLC-1710,PLC-1760)

No.	Supply Code	Parts No.	Replacement	Parts name	Remarks	Choice	Step	Level	Cons	Qty	Rep. QTY
1		RE0900000K0		E-RING 9						1	
2		CS1201010SH		THRUST COLLAR ASM. D=12 W=10						1	
3		CS1201011SH		THRUST COLLAR D=12 W=10				*		1	
4		SS8660610TP		SCREW 1/4-40 L=6				*		2	
5		SD0800402TP		HINGESCROWD=8H=4						1	
6		NS6150430SP		NUT 15/64-28						1	
7		SS7110710SP		SCREW 11/64-40 L=7						1	
8		40038712		FELT HOLDER						1	
9		SS7110910TP		SCREW 11/64-40 L=8.5						4	
10		40081970		FEED ADJUSTING BASE						1	
11	R	21407200	40081970	FEED ADJUSTING BASE				*		1	1.00
12	R	21407309	40081969	SQUARE BLOCK		A	40038711 送り調節体- B/40038711 FEED ADJ- USTING BASE B	*		1	1.00
12	R	21407309	40081970	SQUARE BLOCK		B	21407200 送り調節/2- 1407200 F- EED ADJU- STING BASE	*		1	1.00
13		40081969		FEED ADJUSTING BASE B SET						1	
14	R	40038711	40081969	FEED ADJUSTING BASE B				*		1	1.00
15	R	21407309	40081969	SQUARE BLOCK		A	40038711 送り調節体- B/40038711 FEED ADJ- USTING BASE B	*		1	1.00
15	R	21407309	40081970	SQUARE BLOCK		B	21407200 送り調節/2- 1407200 F- EED ADJU- STING BASE	*		1	1.00
16		SS8151150TP		SCREW 15/64-28 L=10.5						1	
17		B3025141H00A		CONNECTING ARM						1	
18		SS6121210SP		SCREW 3/16-28 L=12						1	
19		22904155		MAIN SHAFT THRU- ST COLLAR ASM.						2	
20	R	22904106	22904155	MAIN SHAFT THRUST COLLAR				*		1	1.00
21		SS8660610TP		SCREW 1/4-40 L=6				*		2	
22		40039307		FEED REGULATOR CONNECTING ROD						1	
23		SD0900701TP		HINGESCROWD=9H=7						1	
24		NS6680320SP		NUT 9/32-28						1	
25		21378302		FEED SHAFT METAL						2	
26		21388004		REVERSE FEED ROCK SHAF						1	
27		SS6120930TP		SCREW 3/16-28 L=9						2	
28		SS8150822TP		SCREW 15/64-28 L=8						2	
29		21364104		FEED ROCKER						1	
30		SS7111410TP		SCREW11/64-40L=14						2	
31		21337902		ECCENTRIC PIN						1	
32		SS7090910TP		SCREW 9/64-40 L=8.5						2	
33		21337308		FEED ADJUSTING ROD						1	
34		SD0800402TP		HINGESCROWD=8H=4						1	
35		21337605		SPRING						1	

FEED MECHANISM COMPONENTS (FOR PLC-1710,PLC-1760)

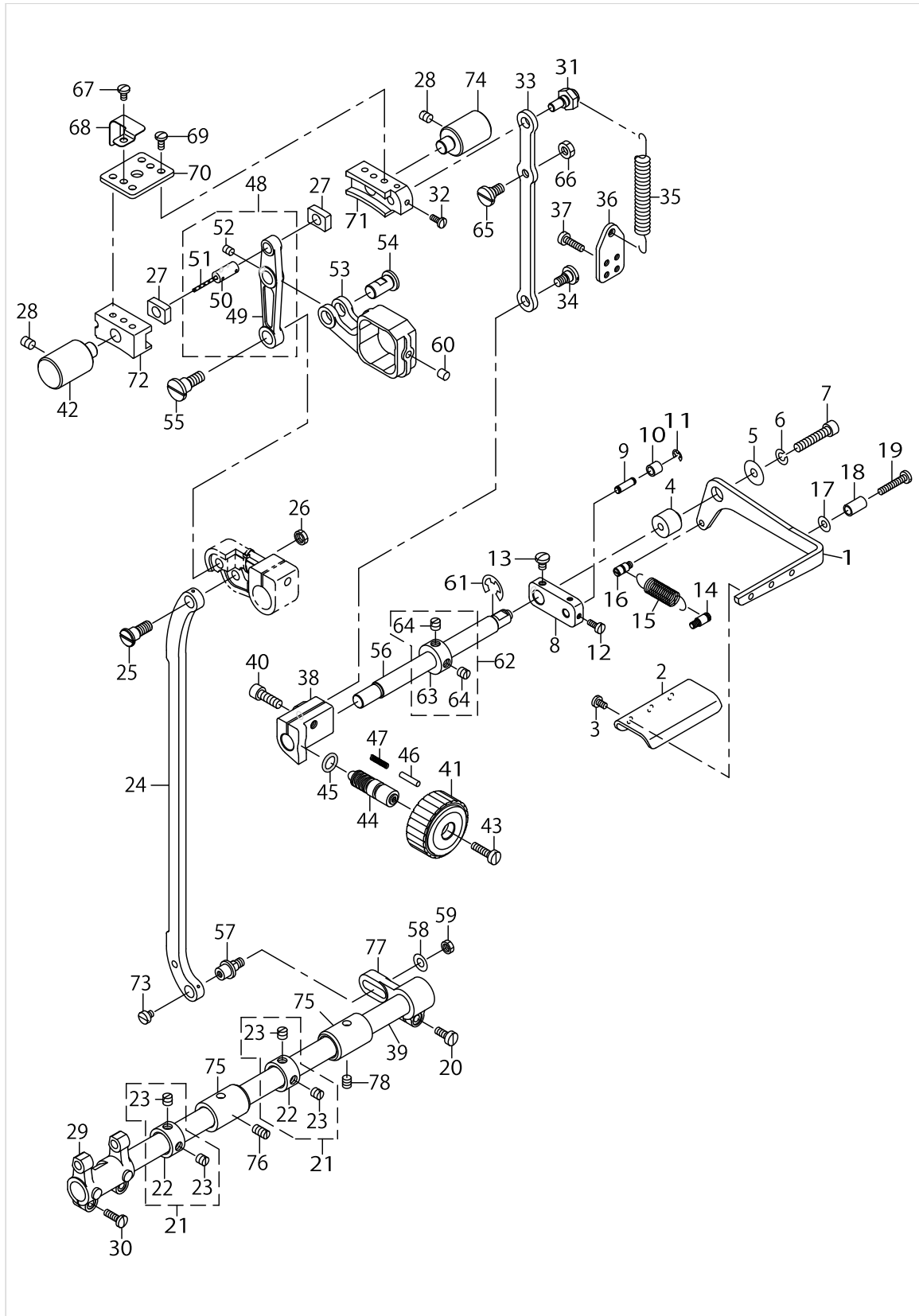


FEED MECHANISM COMPONENTS (FOR PLC-1710,PLC-1760)

No.	Supply Code	Parts No.	Replacement	Parts name	Remarks	Choice	Step	Level	Cons	Qty	Rep. QTY
36		40019926		SPRING HOOK						1	
37		SS6111610SP		SCREW11/64-40L=16						2	
38		21337209		FEED ADJUSTING A						1	
39		22609408		FEED ROCK SHAFT						1	
40		SM6061802TP		SCREW M6 L=18						1	
41		21336805		FEED DIAL A						1	
42		21430400		FEED ADJUSTER SUPPORT						1	
43		SS6121860SP		SCREW 3/16-28 L=18						1	
44		22911804		FEED REGULATOR SCREW						1	
45		RO092270200		RUBBER RING						1	
46		22912000		FEED REGULATOR PIN						1	
47		22912109		FEED REGULATOR PIN SPRING						1	
48		21336656		FEED LINK ASM.						1	
49		21336607		FEED LINK				*		1	
50		40009103		CONNECTING FORKED LINK PIN				*		1	
51		CQ202000000		OIL WICK				*	0.04		
52		SM8050612TP		SCREW M5X6				*		1	
53		21336706		FEED ROD A						1	
54	R	21338207	21378906	FEED LINK PIN						1	1.00
55		SD1000801SH		HINGE SCREW D=10 H=8						1	
56		21336300		BACKWARD FEED LEVER SHAFT						1	
57		40108541		FEED ROCK SHAFT HINGE SCREW						1	
58		WP0650876SD		WASHER 6.5X13X0.8						1	
59		NS6150310SP		NUT 15/64-28						1	
60		21387402		FELT						1	
61		SS8150710TP		SCREW 15/64-28 L=7						1	
62		21407408		FITTING PLATE						1	
63		SS6110520TP		SCREW 11/64-40 L=4.5						1	
64		21337803		FEED ADJUSTING BASE SUPPORT						1	



FEED MECHANISM COMPONENTS (FOR PLC-1760L)

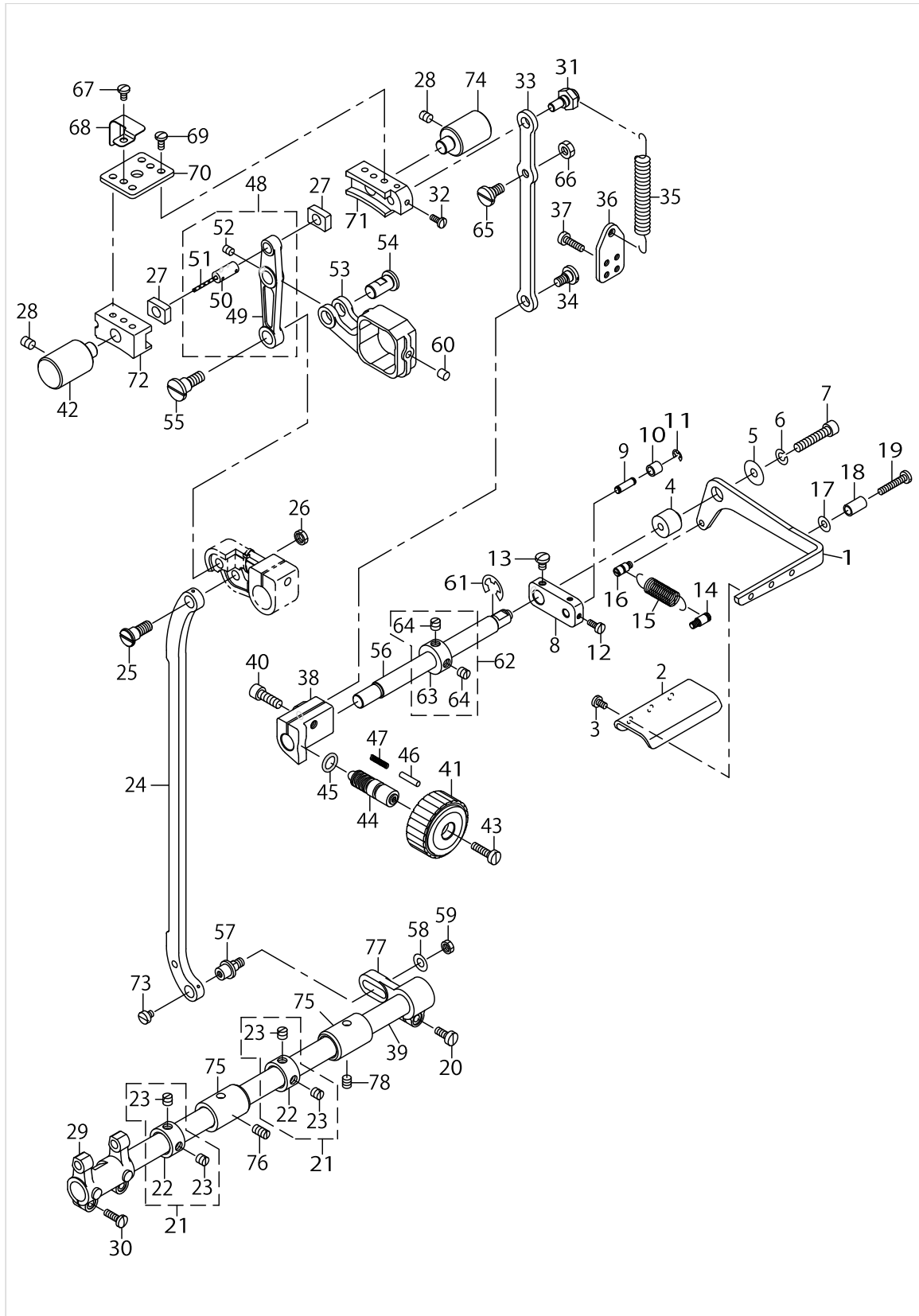


FEED MECHANISM COMPONENTS (FOR PLC-1760L)

No.	Supply Code	Parts No.	Replacement	Parts name	Remarks	Choice	Step	Level	Cons	Qty	Rep. QTY
1		21337001		BACKWARD FEED LEVER B						1	
2		21337100		BACKWARD FEED P-RESSER PLATE						1	
3		SS7110710SP		SCREW 11/64-40 L=7						3	
4		21352901		BACKWARD FEED LINK FULCRUM						1	
5		WP0612056SD		WASHER 6.1X18.5X2						1	
6		WS0610002KP		SPRING WASHER						1	
7		SS6153012TP		SCREW 15/64-28						1	
8		40039454		CHANGE BASE						1	
9		D2461481C00		CONNECTING PIN						1	
10		26023200		FEED CAM ROLL						1	
11		RE0400000K0		E-RING 4						1	
12		SS6090910SP		SCREW 9/64-40 L=9						2	
13		SS7120710SP		SCREW 3/16-28 L=7						2	
14		40023289		SPRINGSUSPENSION						1	
15		13789201		TENSION SPRING						1	
16		11272614		FEED SPRING HOOK						1	
17		WP0502616SD		WASHER						1	
18		22952501		BACK LEVER STOPPER						1	
19		SS7112420SP		SCREW 11/64-40L=24						1	
20		SS6121210SP		SCREW 3/16-28 L=12						1	
21		22904155		MAIN SHAFT THRU-ST COLLAR ASM.						2	
22	R	22904106	22904155	FEED LEVER SUPPORT				*		1	1.00
23		SS8660610TP		FEED LEVER BASE				*		2	
24		40039307		SCREW 9/64-40 L=6.8						1	
25		SD0900701TP		HINGESCREW D=9H=7						1	
26		NS6680320SP		WASHER 6.5X11X1						1	
27	R	21407309	40081969	FEED DRIVING SLIDE BLOCK		A				2	1.00
27	R	21407309	40081970	FEED DRIVING SLIDE BLOCK		B				2	1.00
28		SS8150822TP		SCREW 15/64-28 L=8						2	
29		21364104		FEED ROCKER						1	
30		SS7111410TP		SCREW 11/64-40L=14						2	
31		21337902		ECCENTRIC PIN						1	
32		SS7090910TP		SCREW 9/64-40 L=8.5						2	
33		21337308		FEED ADJUSTING ROD						1	
34		SD0800402TP		HINGESCREW D=8H=4						1	
35		40038901		SPRING B						1	
36		40019926		SPRING HOOK						1	
37		SS6111610SP		SCREW 11/64-40L=16						2	
38		23056104		FEED REGULATOR (P=12)						1	
39		22609408		FEED ROCK SHAFT						1	
40		SM6061802TP		SCREW M6 L=18						1	

40038711  
送り調節体-B/40038711  
FEED ADJUSTING BASE B  
21407200  
送り調節/2-1407200 F-  
FEED ADJUSTING BASE

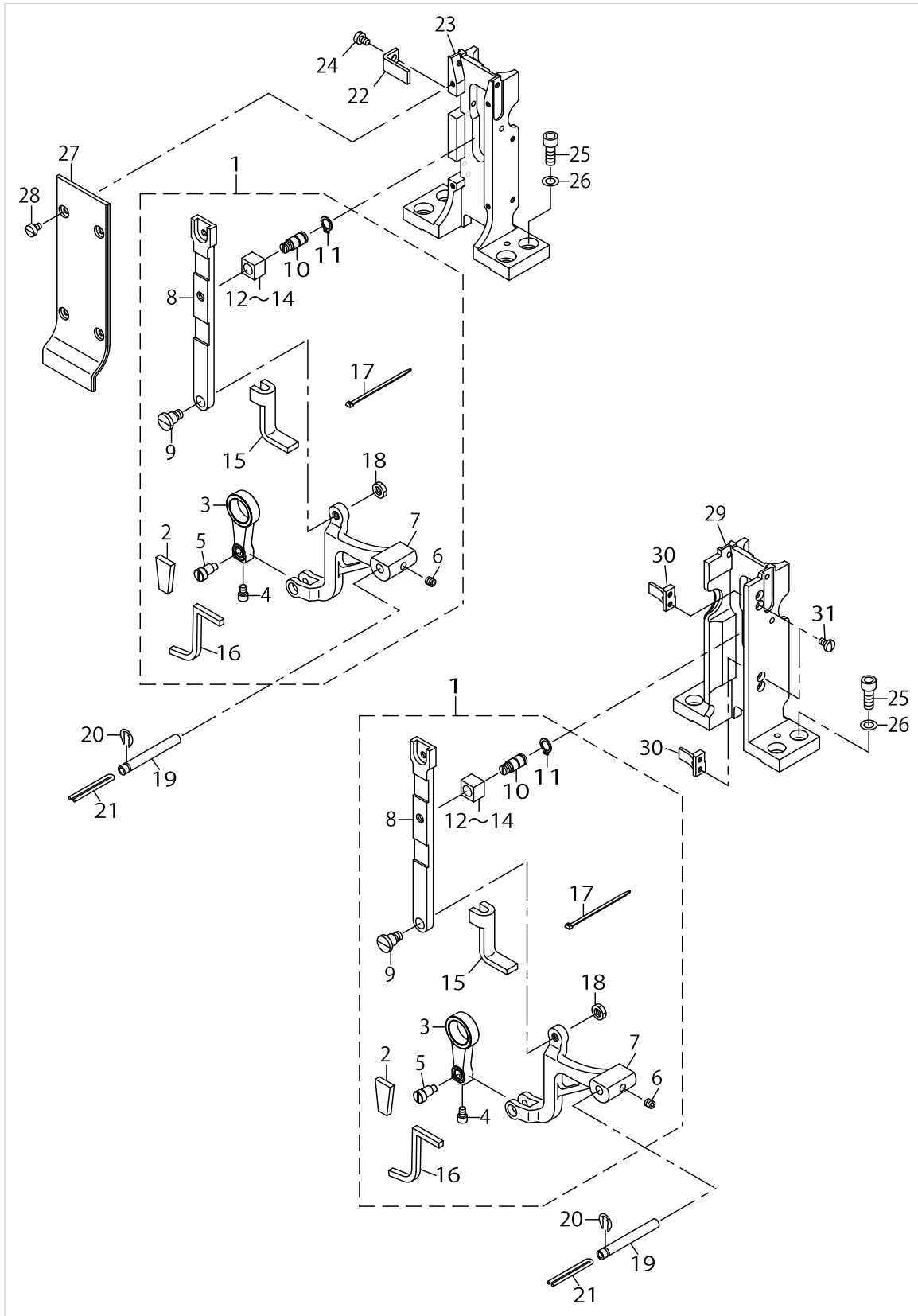
FEED MECHANISM COMPONENTS (FOR PLC-1760L)



FEED MECHANISM COMPONENTS (FOR PLC-1760L)

No.	Supply Code	Parts No.	Replacement	Parts name	Remarks	Choice	Step	Level	Cons	Qty	Rep. QTY
41		23056203		FEED DIAL (C)						1	
42		21430400		FEED ADJUSTER SUPPORT						1	
43		SS6121860SP		SCREW 3/16-28 L=18						1	
44		22911804		FEED REGULATOR SCREW						1	
45		RO092270200		RUBBER RING						1	
46		22912000		FEED REGULATOR PIN						1	
47		22912109		FEED REGULATOR PIN SPRING						1	
48		21336656		FEED LINK ASM.						1	
49		21336607		FEED LINK				*		1	
50		40009103		CONNECTING FORKED LINK PIN				*		1	
51		CQ202000000		OIL WICK				*		0.04	
52		SM8050612TP		SCREW M5X6				*		1	
53		40011400		FEED ROD (C)						1	
54	R	21338207	21378906	FEED LINK PIN						1	1.00
55		SD1000801SH		HINGE SCREW D=10 H=8						1	
56	D	21336409		BACKWARD FEED LEVER SHAFT B						1	
57		40108541		FEED ROCK SHAFT HINGE SCREW						1	
58		WP0650876SD		WASHER 6.5X13X0.8						1	
59		NS6150310SP		NUT 15/64-28						1	
60		21387402		FELT						1	
61		RE0900000K0		E-RING 9						1	
62		CS1201010SH		THRUST COLLAR ASM. D=12 W=10						1	
63		CS1201011SH		THRUST COLLAR D=12 W=10				*		1	
64		SS8660610TP		SCREW 1/4-40 L=6				*		2	
65		SD0800402TP		HINGESCREWD=8H=4						1	
66		NS6150430SP		NUT 15/64-28						1	
67		SS7110710SP		SCREW 11/64-40 L=7						1	
68		40038712		FELT HOLDER						1	
69		SS7110910TP		SCREW 11/64-40 L=8.5						4	
70		21407408		FITTING PLATE						1	
71	R	21407200	40081970	FEED ADJUSTING BASE						1	1.00
72	R	40038711	40081969	FEED ADJUSTING BASE B						1	1.00
73		SS6110520TP		SCREW 11/64-40 L=4.5						1	
74		21337803		FEED ADJUSTING BASE SUPPORT						1	
75		21378302		FEED SHAFT METAL						2	
76		SS8151150TP		SCREW 15/64-28 L=10.5						1	
77		B3025141H00A		CONNECTING ARM						1	
78		SS8150710TP		SCREW 15/64-28 L=7						1	

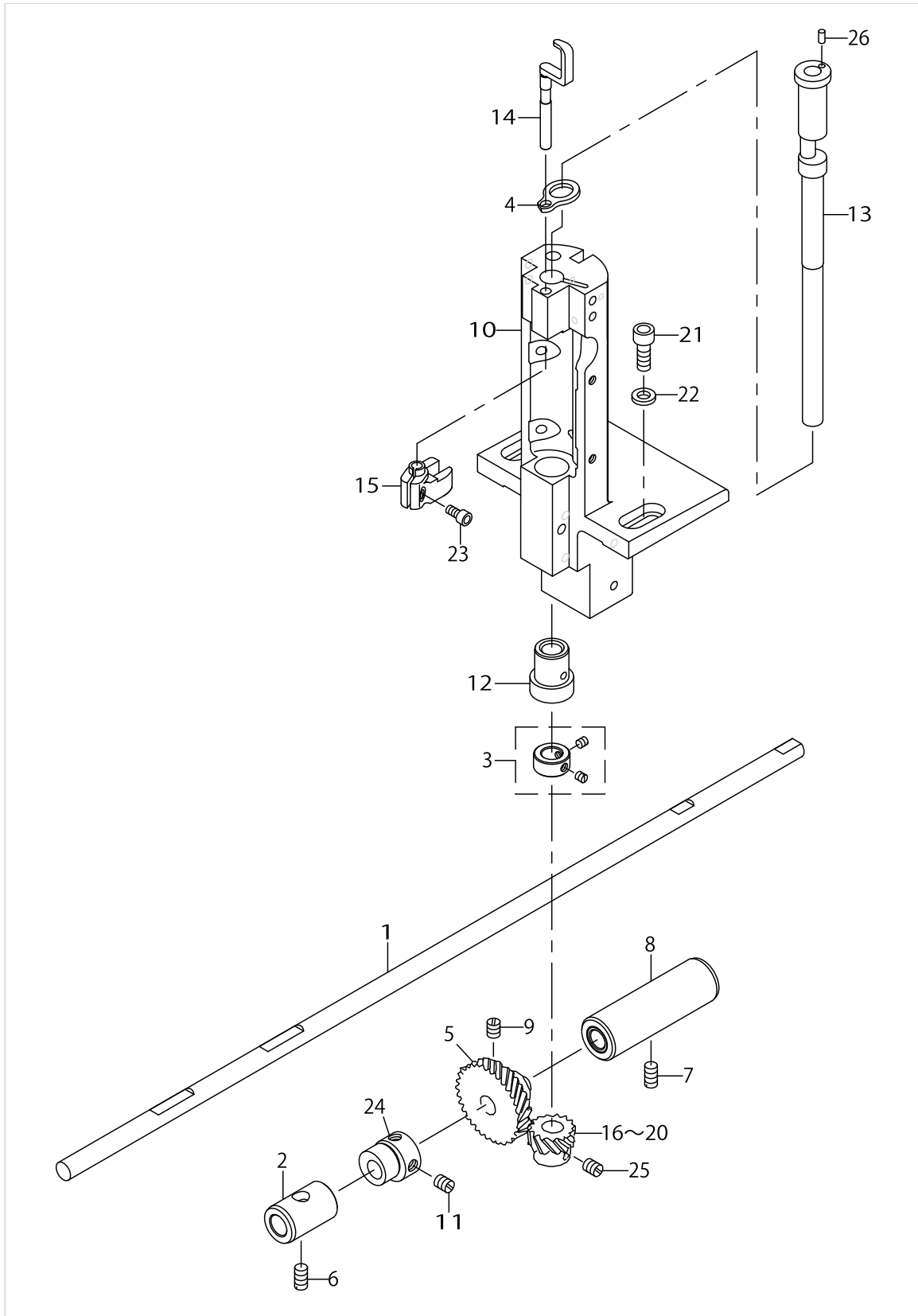
FEED BASE COMPONENTS



FEED BASE COMPONENTS

No.	Supply Code	Parts No.	Replacement	Parts name	Remarks	Choice	Step	Level	Cons	Qty	Rep. QTY
1		40038859		FEED BAR ASM.						1	
2		40038968		FELT (D)				*		1	
3		23200801		VERTICAL FEED LINK				*		1	
4		SS6090612TP		SCREW 9/64-40 L=6				*		1	
5		23200900		VERTICAL FEED LINK SHAFT				*		1	
6		SM8050502TP		SCREW M5 L=5				*		1	
7		23056005		FEED BASE				*		1	
8		40039257		FEED LEVER				*		1	
9		40039015		FEED LEVER SCREW				*		1	
10		23009509		FEED LEVER SHAFT				*		1	
11		RC0740811KP		C-RING				*		1	
12		13516703		SLIDE BLOCK B	SELECTIVE PARTS			*		1	
13		13516604		SLIDE BLOCK A	SELECTIVE PARTS			*		1	
14		13519202		SLIDE BLOCK	SELECTIVE PARTS			*		1	
15		40038709		FELT A				*		1	
16		40038967		FELT (C)				*		1	
17		EA9500B0100		CABLE BAND				*		6	
18		NS6150310SP		NUT 15/64-28				*		1	
19		B1604012000A		FEED BAR SHAFT						1	
20		RE0500711KP		SNAP RING 5						1	
21		CQ202000000		OIL WICK						.14	
22		23036304		FEED LEVER SUPPORT	FOR PLC-1710					2	
23		40038981		FEED LEVER BASE	FOR PLC-1710					1	
24		SS6090630TP		SCREW 9/64-40 L=6	FOR PLC-1710					2	
25		SM6061602TP		SCREW M6 L=16						4	
26		WP0612076SP		WASHER 6.1X11X2						4	
27		40017263		FEED LEVER BASE COVER	FOR PLC-1710					1	
28	R	SS6090630SP	SS6090630TP	SCREW 9/64-40 L=6	FOR PLC-1710					4	1.00
29		40038707		FEED LEVER BASE	FOR PLC-- 1760,PLC-1760L					1	
30		40017317		FEED LEVER SUPPORT	FOR PLC-- 1760,PLC-1760L					2	
31		SS7090710SP		SCREW 9/64-40 L=6.8	FOR PLC-- 1760,PLC-1760L					4	

HOOK SHAFT & LOWER SHAFT COMPONENTS (FOR PLC-1710)

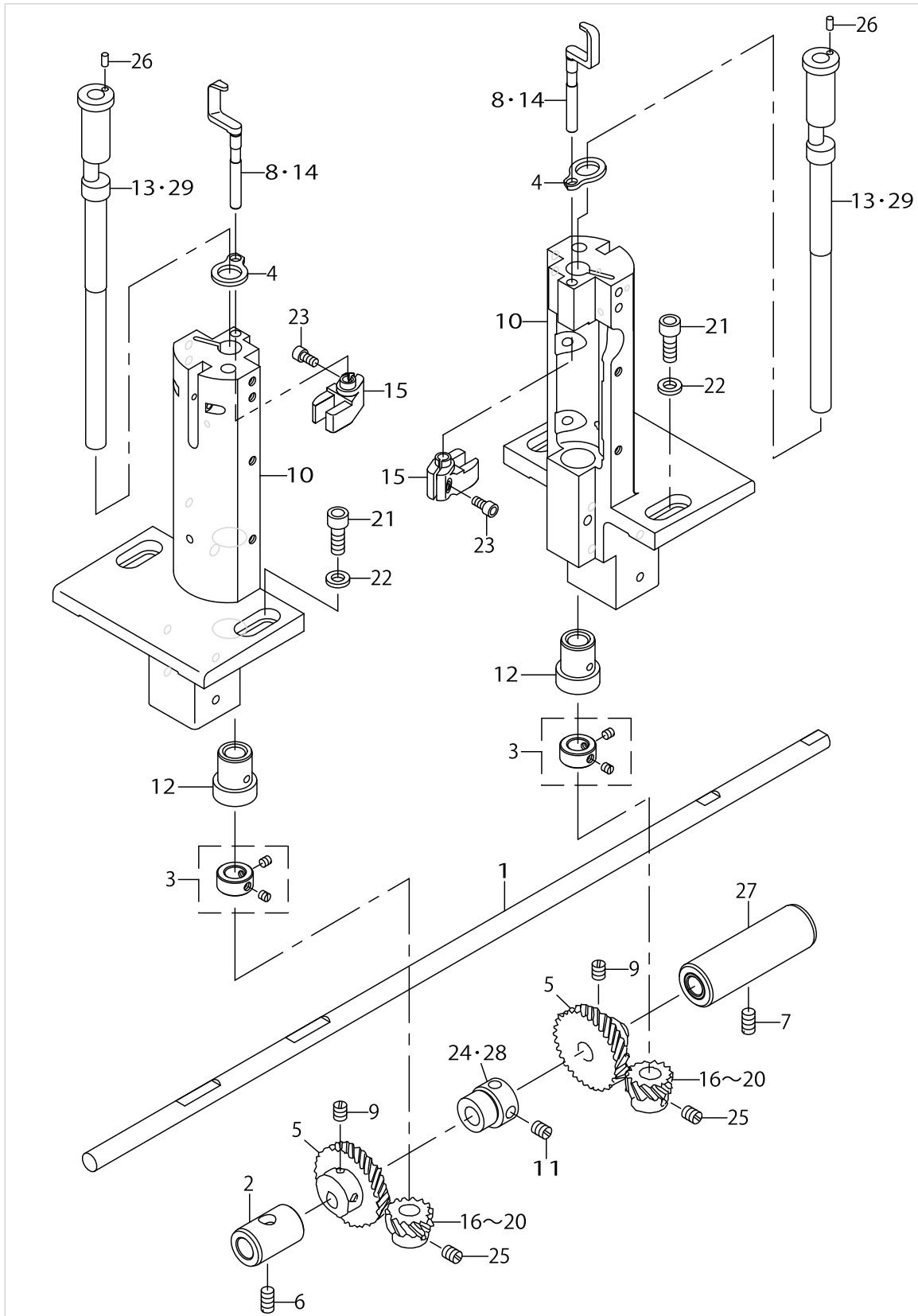


HOOK SHAFT & LOWER SHAFT COMPONENTS (FOR PLC-1710)

No.	Supply Code	Parts No.	Replacement	Parts name	Remarks	Choice	Step	Level	Cons	Qty	Rep. QTY
1		40038695		HOOK DRIVING SHAFT						1	
2		21427307		LOWER SHAFT METAL REAR						1	
3		CS095081ASH		THRUST COLLAR ASM. D=9.53 W=8						1	
4		23004708		HOOK SHAFT SPACER						1	
5		B1816512000		HOOK DRIVING SHAFT LARGE						1	
6		SS8151150TP		SCREW 15/64-28 L=10.5						1	
7		SS8151150TP		SCREW 15/64-28 L=10.5						1	
8		40038697		BUSHING INTERMEDIATE ASM.						1	
9		SS8660810TP		SCREW 1/4-40 L=8						2	
10		40038867		HOOK SHAFT BASE						1	
11		SS8150710TP		SCREW 15/64-28 L=7						2	
12		21334701		HOOK SHAFT LOWER METAL						1	
13		23004609		HOOK SHAFT						1	
14		40039822		OPENER						1	
15		23004906		OPENER GUIDE ARM						1	
16		10112001		HOOK SHAFT GEAR A	SELECTIVE PARTS					1	
17		10112100		HOOK SHAFT GEAR B	SELECTIVE PARTS					1	
18		10112209		HOOK SHAFT GEAR C	SELECTIVE PARTS					1	
19		10111904		HOOK SHAFT GEAR	SELECTIVE PARTS					1	
20		40029634		HOOK SHAFT SCREW GEAR	SELECTIVE PARTS					1	
21		SM6061602TP		SCREW M6 L=16						2	
22		WP0612076SP		WASHER 6.1X11X2						2	
23		SM6040802TP		SCREW M4X0.7 L=8						1	
24		23024409		VERTICAL FEED CAM (1.5)						1	
25		SS8660530TP		SCREW 1/4-40 L=4.5						3	
26		PH0300062C0		PIN						1	



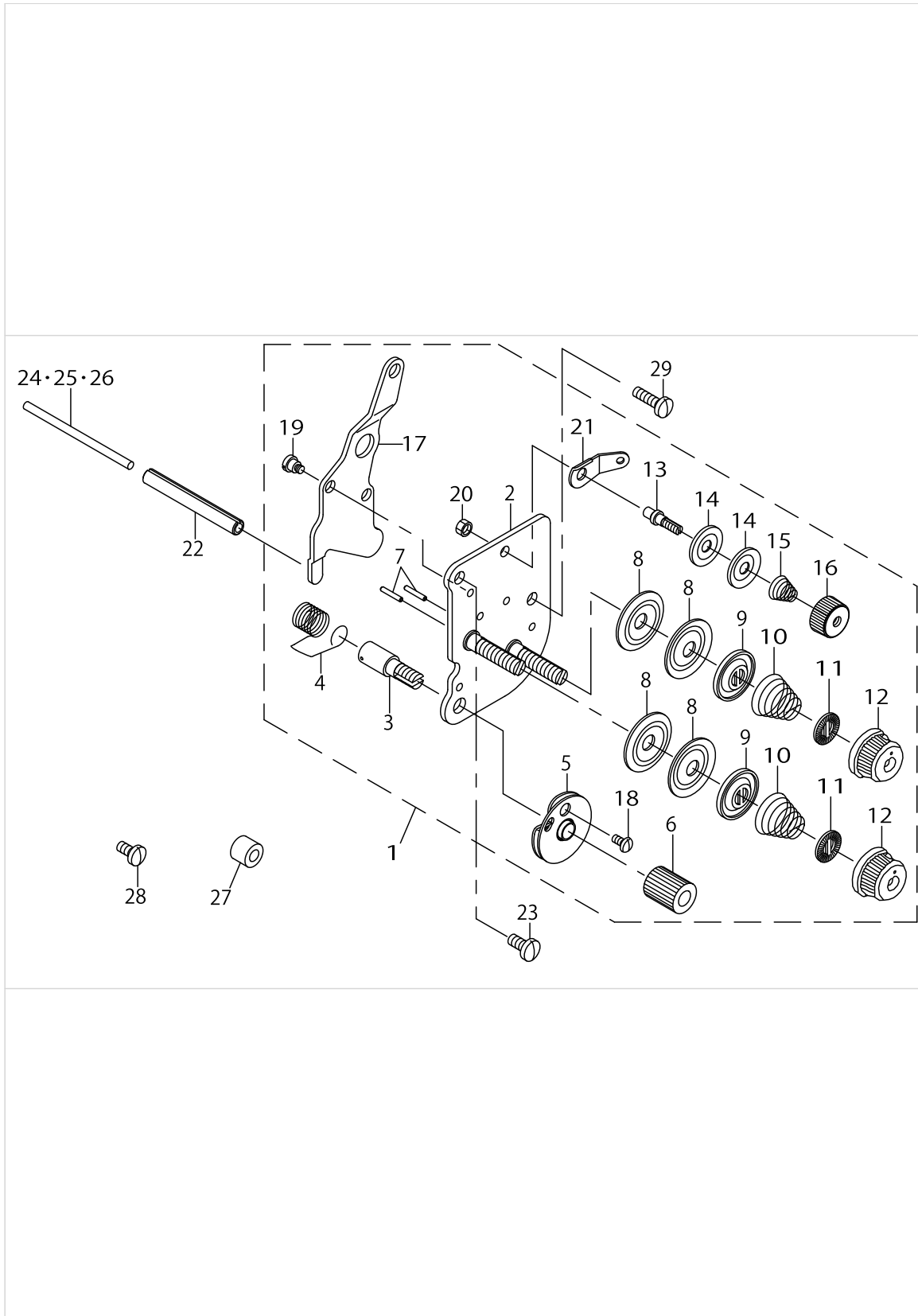
HOOK SHAFT & LOWER SHAFT COMPONENTS (FOR PLC-1760,PLC-1760L)



HOOK SHAFT & LOWER SHAFT COMPONENTS (FOR PLC-1760,PLC-1760L)

No.	Supply Code	Parts No.	Replacement	Parts name	Remarks	Choice	Step	Level	Cons	Qty	Rep. QTY
1		40038695		HOOK DRIVING SHAFT						1	
2		21427307		LOWER SHAFT METAL REAR						1	
3		CS095081ASH		THRUST COLLAR ASM. D=9.53 W=8						2	
4		23004708		HOOK SHAFT SPACER						2	
5		B1816512000		HOOK DRIVING SHAFT LARGE						2	
6		SS8151150TP		SCREW 15/64-28 L=10.5						1	
7		SS8151150TP		SCREW 15/64-28 L=10.5						1	
8		40039822		OPENER	FOR PLC-1760					2	
9		SS8660810TP		SCREW 1/4-40 L=8						4	
10		40038867		HOOK SHAFT BASE						2	
11		SS8150710TP		SCREW 15/64-28 L=7						2	
12		21334701		HOOK SHAFT LOWER METAL						2	
13		23004609		HOOK SHAFT	FOR PLC-1760					2	
14		40038829		OPENER	FOR PLC-1760L					2	
15		23004906		OPENER GUIDE ARM						2	
16		10112001		HOOK SHAFT GEAR A	SELECTIVE PARTS					2	
17		10112100		HOOK SHAFT GEAR B	SELECTIVE PARTS					2	
18		10112209		HOOK SHAFT GEAR C	SELECTIVE PARTS					2	
19		10111904		HOOK SHAFT GEAR	SELECTIVE PARTS					2	
20		40029634		HOOK SHAFT SCREW GEAR	SELECTIVE PARTS					2	
21		SM6061602TP		SCREW M6 L=16						4	
22		WP0612076SP		WASHER 6.1X11X2						4	
23		SM6040802TP		SCREW M4X0.7 L=8						2	
24		23024409		VERTICAL FEED CAM (1.5)	FOR PLC-1760					1	
25		SS8660530TP		SCREW 1/4-40 L=4.5						6	
26		PH0300062C0		PIN						2	
27		40038697		BUSHING INTERMEDIATE ASM.						1	
28		40068166		VERTICAL FEED CAD(2.4)	FOR PLC-1760L					1	
29		40038902		HOOK SHAFT (60L)	FOR PLC-1760L					2	

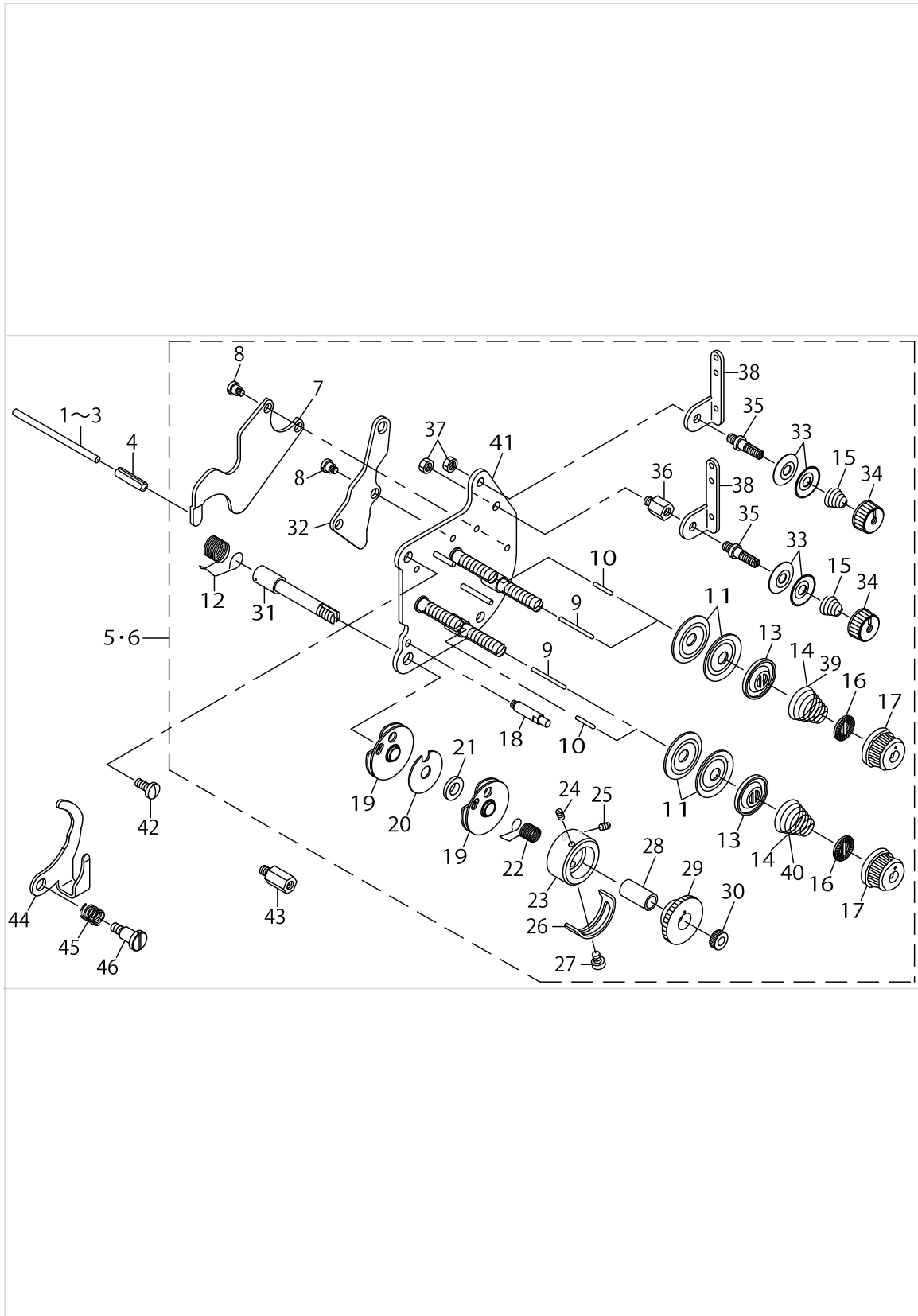
THREAD TENSION COMPONENTS (FOR PLC-1710)



THREAD TENSION COMPONENTS (FOR PLC-1710)

No.	Supply Code	Parts No.	Replacement	Parts name	Remarks	Choice	Step	Level	Cons	Qty	Rep. QTY
1		40039837		THREAD TENSION ASM.						1	
2		21441050		TENSION POST COMPL.				*		1	
3		10320109		SCREW STUD				*		1	
4		B3128051000		THREAD TAKE-UP SPRING A				*	☆	1	
5		B31370510A0		TAKE-UP SPRING GUIDE DISC ASM.				*		1	
6		10320208		THREAD TENSION STUD NUT				*		1	
7		22618201		TENSION RELEASE PIN A				*		2	
8		13138201		THREAD TENSION DISK				*		4	
9		22617906		THREAD TENSION DISK PRESSER				*		2	
10		B3129526000		TENSIONS PRING(1.2)				*		2	
11		B3120125000		ROTATING STOPPER				*		2	
12		11956802		THREAD TENSION KNOB BLUE				*		2	
13		10124204		THREAD TENSION POST A				*		1	
14		10741106		FIRST THREAD TENSION PLATE				*		2	
15		11045101		THREAD TENSION SPRING				*		1	
16		11072402		THREAD TENSION NUT				*		1	
17		21441100		TENSION RELEASE PLATE				*		1	
18	R	SS4080610SP	SS4080620TP	SCREW 1/8-44 L=6.4				*		1	1.00
19		SD0470281SP		HINGE SCREW D=4.7 H=2.8				*		2	
20		NS6110310SP		NUT 11/64-40				*		1	
21		D3162555B00		THREAD GUIDE				*		1	
22		PS0600502KP		SPRING PIN						1	
23		SS7110910TP		SCREW 11/64-40 L=8.5						1	
24		21348206		TENSION RELEASE BAR	SELECTIVE PARTS					1	
25		10321107		TENSION RELEASE BAR	SELECTIVE PARTS					1	
26		23006406		TENSION RELEASE BAR	SELECTIVE PARTS					1	
27		11315108		COLLAR						1	
28		SS7110830SP		SCREW 11/64-40 L=7.5						1	
29		SS7111410TP		SCREW 11/64-40 L=14						1	

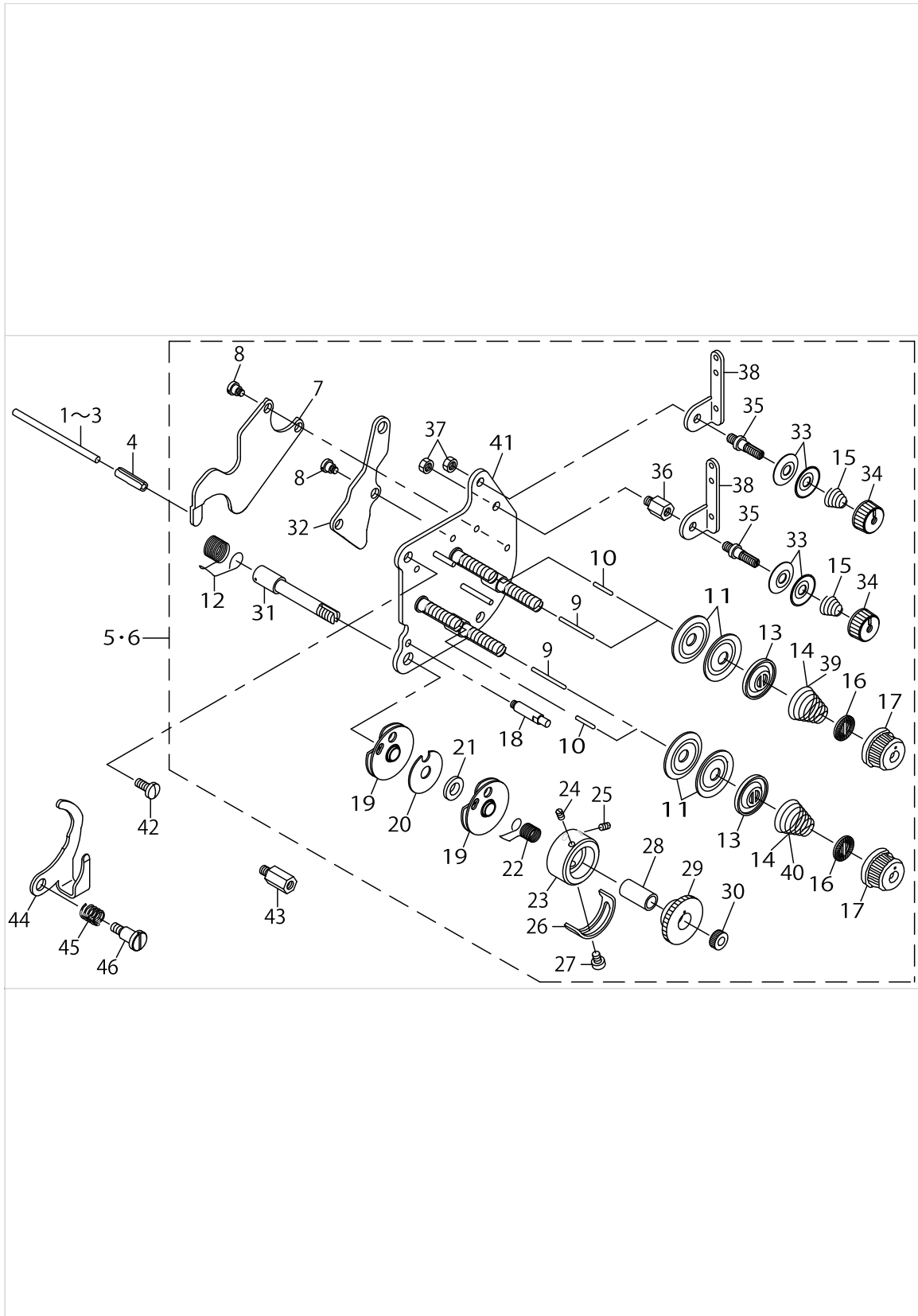
THREAD TENSION COMPONENTS (FOR PLC-1760,PLC-1760L)



THREAD TENSION COMPONENTS (FOR PLC-1760,PLC-1760L)

No.	Supply Code	Parts No.	Replacement	Parts name	Remarks	Choice	Step	Level	Cons	Qty	Rep. QTY
1		23006406		TENSION RELEASE BAR	SELECTIVE PARTS					1	
2		21348206		TENSION RELEASE BAR	SELECTIVE PARTS					1	
3		10321107		TENSION RELEASE BAR	SELECTIVE PARTS					1	
4		PS0600502KP		SPRING PIN						1	
5		40039263		THREAD TENSION ASM.	FOR PLC-1760					1	
6		40039264		THREAD TENSION ASM. (60L)	FOR PLC-1760L					1	
7	R	40017283	40039263	TENSION RELEASE LEVER A		A	通常/Except 60L	*		1	1.00
7	R	40017283	40039264	TENSION RELEASE LEVER A		B	60L	*		1	1.00
8		SD0470281SP		HINGE SCREW D=4.7 H=2.8				*		4	
9		40017282		TENSION RELEASE PIN B				*		2	
10		22618201		TENSION RELEASE PIN, A				*		2	
11		13138201		THREAD TENSION DISK				*		8	
12		B3128051000		THREAD TAKE-UP SPRING				*	☆	1	
13		22617906		THREAD TENSION DISK PRESSER				*		4	
14		B3129526000		TENSIONSPrING(1.2)	FOR PLC-1760			*		4	
15		11045101		THREAD TENSION SPRING				*		2	
16		B3120125000		ROTATING STOPPER				*		4	
17		11956802		THREAD TENSION KNOB BLUE				*		4	
18		B3143527000		TAKE-UP SPRING GUIDE STUD				*		1	
19		B31375270A0		TAKE-UP SPRING GUIDE ASM.				*		2	
20		B3142527000		TAKE-UP SPRING GUIDE PLATE				*		1	
21		B3139527000		COLLAR				*		1	
22		B3128527000		THREAD TAKE-UP SPRING B				*	☆	1	
23		22617609		THREAD TENSION POST				*		1	
24	R	22618904	SM8030500SP	SET SCREW				*		1	1.00
25	R	22618904	SM8030500SP	SET SCREW				*		1	1.00
26		B3138527000		ADJUSTING PLATE B				*		1	
27	R	SS7090520SP	SS7090520TP	SCREW 9/64-40 L=4.5				*		1	1.00
28		B3141527000		PRESSER COLLAR				*		1	
29		B3125527000		TAKE-UP SPRING GUIDE				*		1	
30	R	B3125012000	22928808	THREAD TENSION NUT				*		1	1.00
31		10124501		THREAD TAKE-UP SPRING STUD				*		1	
32		40017284		TENSION RELEASE LEVER B				*		1	
33		10741106		FIRST THREAD TENSION PLATE				*		4	
34		11072402		THREAD TENSION NUT				*		2	
35		10124204		THREAD TENSION POST A				*		2	
36		40017279		SPACER				*		1	
37		NS6110310SP		NUT 11/64-40				*		2	
38		10703205		FIRST THREAD TENSION GUIDE				*		2	
39		B3129053000		TENSION SPRING	FOR PLC-1760L			*		2	
40		21059100		THREAD TENSION SPRING	FOR PLC-1760L			*		2	
41		40017280		THREAD TENSION BASE COMPL.				*		1	
42		SS7110910TP		SCREW 11/64-40 L=7				*		2	
43		40038752		THREAD TENSION STUD				*		1	
44		40040559		TENSION RELEASE PLATE	OPTIONAL PARTS (FOR PLC-1760)			*		1	

THREAD TENSION COMPONENTS (FOR PLC-1760,PLC-1760L)

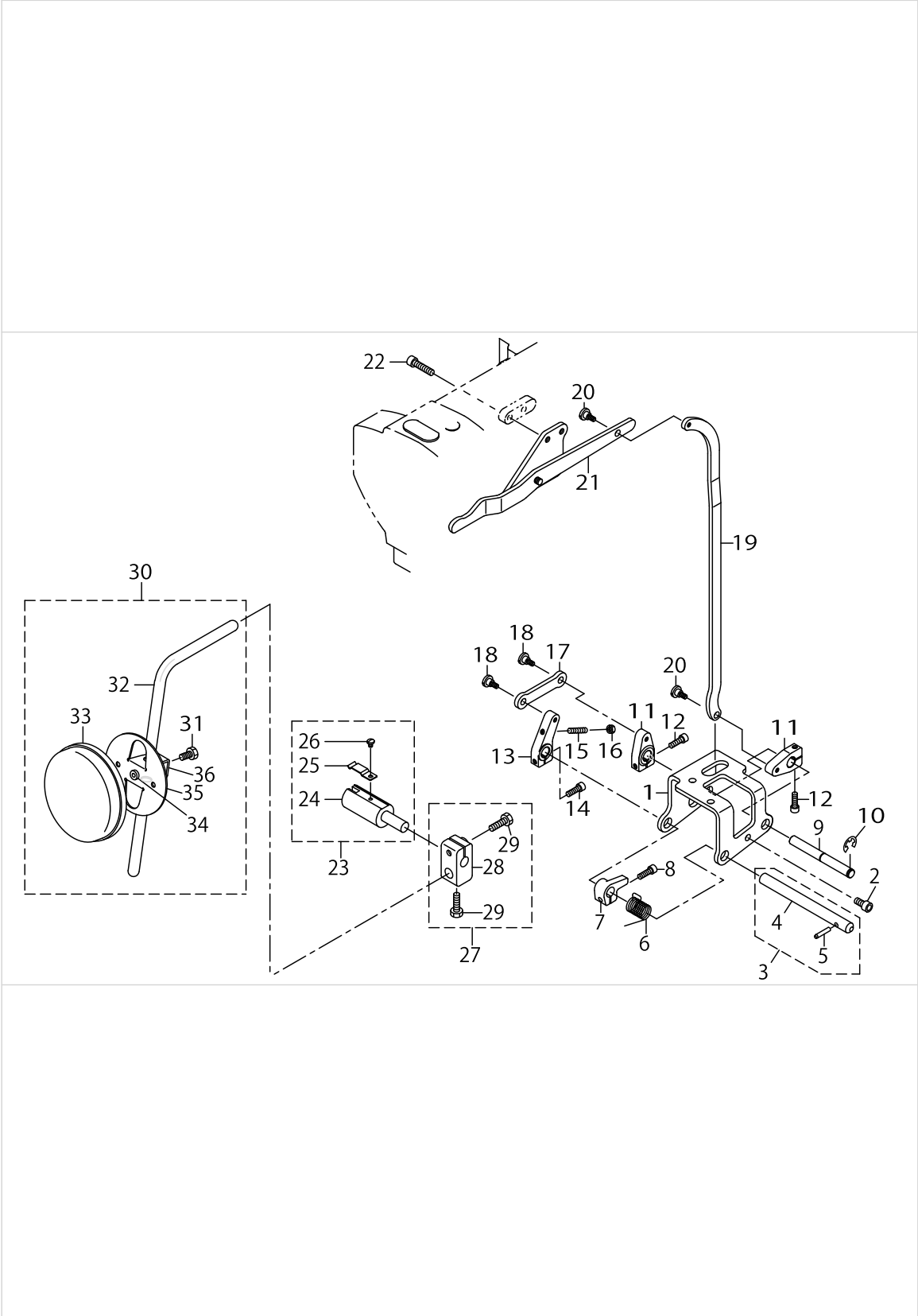


THREAD TENSION COMPONENTS (FOR PLC-1760,PLC-1760L)

No.	Supply Code	Parts No.	Replacement	Parts name	Remarks	Choice	Step	Level	Cons	Qty	Rep. QTY
45		40040558		SPRING	OPTIONAL PARTS (FOR PLC-1760)					1	
46		SD0640851SP		STEP-SCREW	OPTIONAL PARTS (FOR PLC-1760)					1	



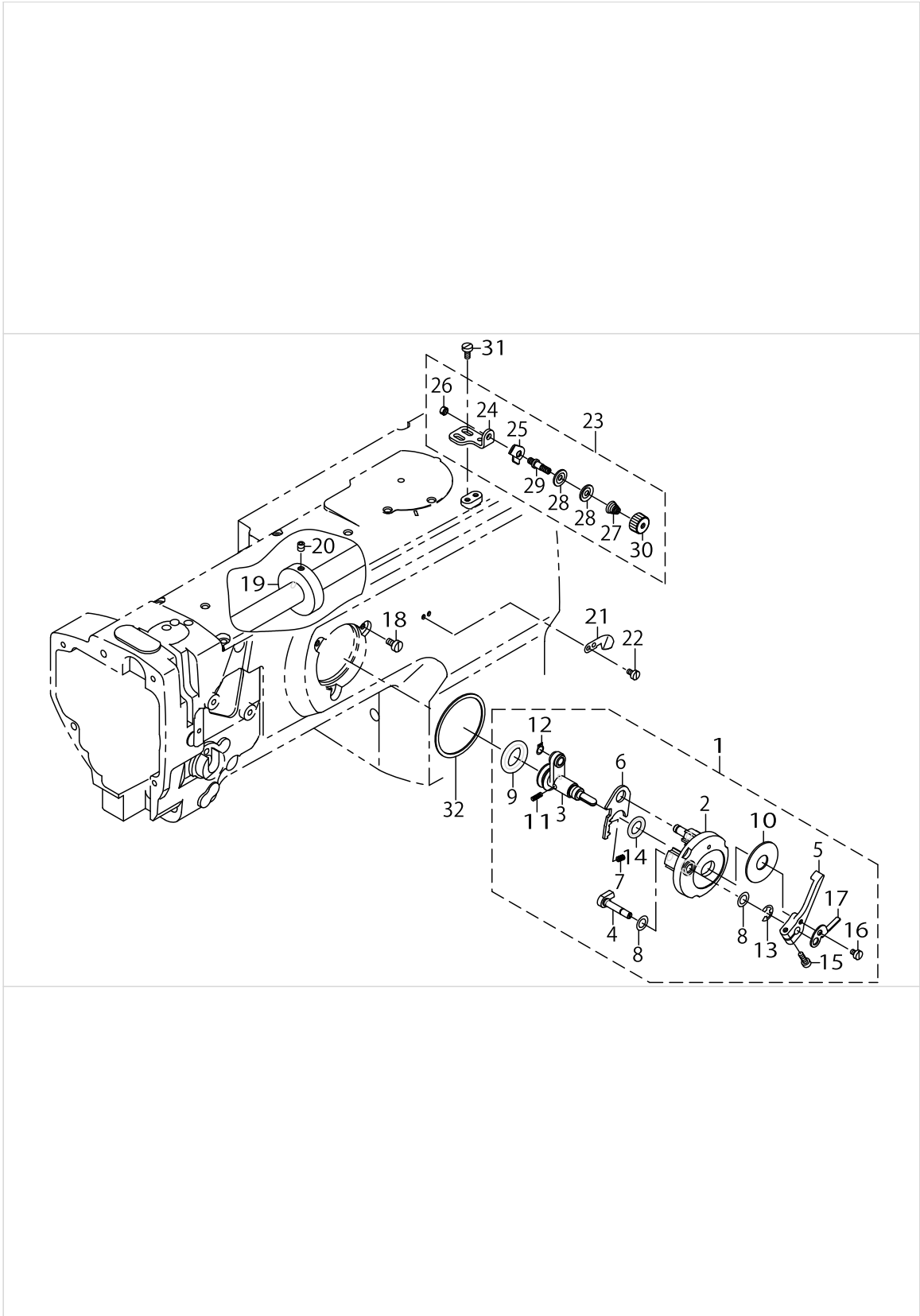
KNEE LIFTING COMPONENTS



KNEE LIFTING COMPONENTS

No.	Supply Code	Parts No.	Replacement	Parts name	Remarks	Choice	Step	Level	Cons	Qty	Rep. QTY
1		21343207		KNEE LIFTER SHAFT BASIS						1	
2		SM6061202TP		SCREW M6 L=12						3	
3		21342555		KNEE LIFTER SHAFT A ASM.						1	
4	R	21342506	21342555	KNEE LIFTER SHAFT A				*		1	1.00
5	R	21342605	21342555	KNEE LIFTER SHAFT PIN				*		1	1.00
6		21343702		KNEE LIFTER SHAFT A SPRING						1	
7		21343801		KNEE LIFTER SPRING RACK						1	
8		SM6051602TP		SCREW M5X0.8 L=16						1	
9		21342704		KNEE LIFTER SHAFT B						1	
10		RE0800000K0		E-SHAPED SNAP RING (8MM)						1	
11		21343009		KNEE LIFTER LEVER B						2	
12		SM6051602TP		SCREW M5X0.8 L=16						2	
13		21342803		KNEE LIFTER LEVER A						1	
14		SM6051602TP		SCREW M5X0.8 L=16						1	
15		SM8052502TP		SCREW M5X0.8 L=25						1	
16		NM6050001SD		NUT M5X0.8						1	
17		21342902		KNEE LIFTER LINK						1	
18		SD0700451TP		HINGE SCREW D=7 H=4.5						2	
19		40017274		KNEE LIFTER CONNECTING ROD						1	
20		SD0700451TP		HINGE SCREW D=7 H=4.5						2	
21		21343355		KNEE LIFTER LEVER ASM.						1	
22		SM6062502TP		SCREW M6 L=25						2	
23		22863252		KNEE LIFTER JOINT ASM.						1	
24	R	22863203	22863252	KNEE LIFTER JOINT				*		1	1.00
25		B3428521000		PRESSER SPRING				*		1	
26		SS7090510SP		SCREW 9/64-40 L=4.6				*		1	
27		22932453		BRACKET ASM.						1	
28	R	22932404	22932453	BRACKET				*		1	1.00
29		22934707		SCREW				*		2	
30		21343157		KNEE PRESS PLATE ASM.						1	
31		SM9061203SE		SCREW M6 L=12				*		1	
32	R	21343108	21343157	KNEE PRESS LEVER				*		1	1.00
33		22934509		KNEE PAD PLATE COVER				*		1	
34		22934400		KNEE PAD PLATE RUBBER				*		1	
35		22934202		KNEE PAD PLATE				*		1	
36		22934301		KNEE PAD PLATE SUPPORT				*		1	

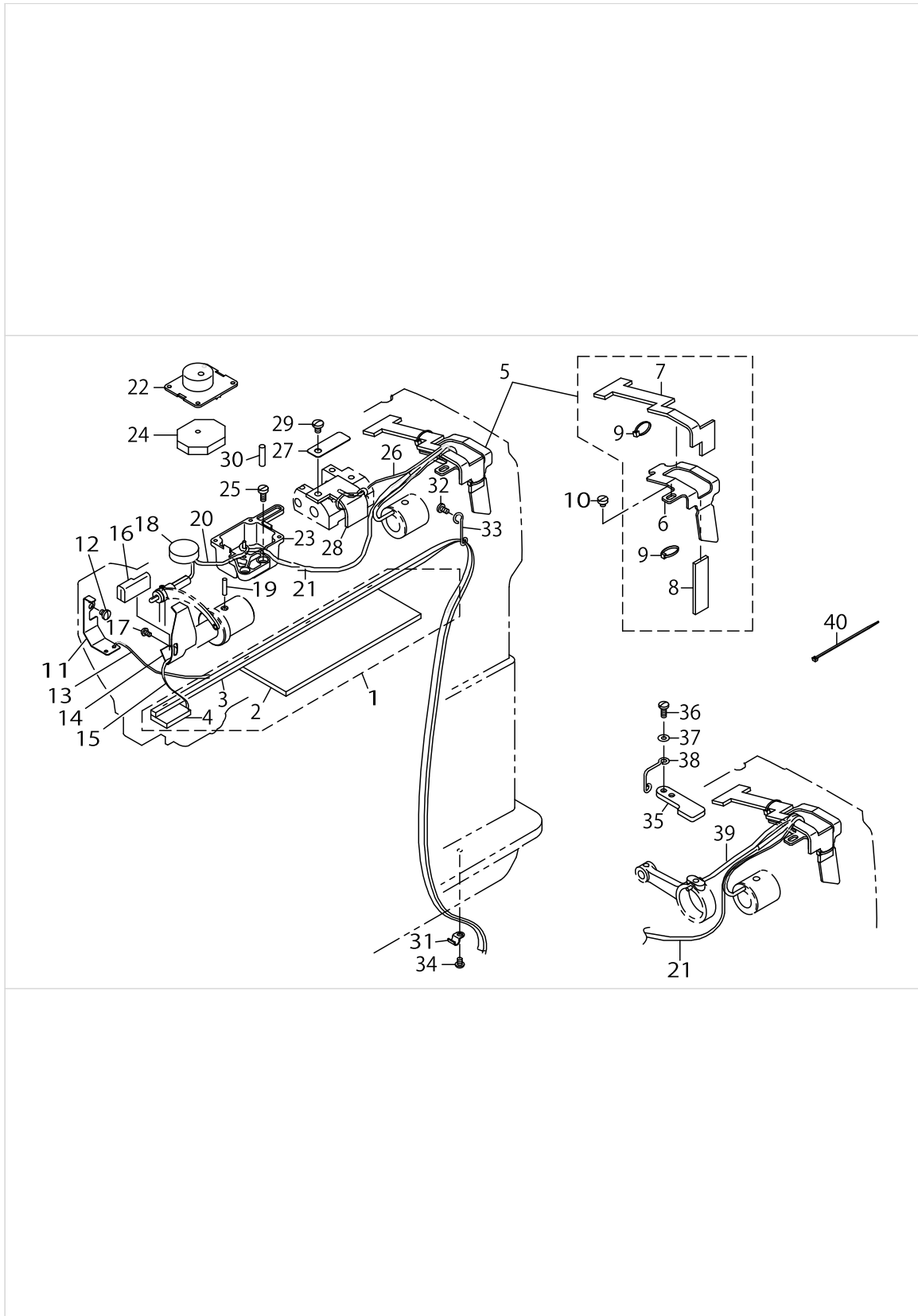
LOWER THREAD WINDER MECHANISM COMPONENTS



LOWER THREAD WINDER MECHANISM COMPONENTS

No.	Supply Code	Parts No.	Replacement	Parts name	Remarks	Choice	Step	Level	Cons	Qty	Rep. QTY
1		21357967		BOBBIN DEVICE ASM.						1	
2		22537658		BOBBIN FITTING BASIS COMPL.				*		1	
3		21357959		BOBIN SHAFT COMPL.				*		1	
4		22538151		BOBBIN CAM SHAFT COMPL.				*		1	
5		23636202		BOBBIN LEVER				*		1	
6		21356001		ADJUSTING PLATE				*		1	
7		B152989000CA		PRESSUR FOOT SPRING				*		1	
8		10618304		VERTICAL ROLLER WASHER				*		2	
9		21358205		RUBBER RING				*		1	
10		B3205210000		CUSHION				*		1	
11	R	B1148555000	22912109	SPRING				*		1	1.00
12		RC0560711KP		RETAINING RING				*		1	
13		RE0500000K0		E-RING				*		1	
14		RO092270200		RUBBER RING				*		1	
15		SS7091410SP		SCREW 9/64-40 L=13.5				*		1	
16		SS6090520SP		SCREW 9/64-40 L=5.0				*		1	
17		14512503		BOBBIN ADJUSTING PLATE				*		1	
18		SS6110810TP		SCREW 11/64-40 L=8						3	
19		10704807		BOBBIN FRICTION WHEEL						1	
20		SM8050602TP		SCREW M5 L=6						2	
21		10502300		THREAD CUTTER						1	
22		SS6090620TP		SCREW						2	
23		21355755		LOWER THREAD GUIDE ASM.						1	
24	R	21355706	21355755	FITTING BASE				*		1	1.00
25		D3162555B00		THREAD GUIDE				*		1	
26		NS6110310SP		NUT 11/64-40				*		1	
27		D3168555H0B		TENSION SPRING NO.1				*		1	
28		40113092		THREAD TENSION DISK				*		2	
29	R	21378708	21355755	THREAD TENSION POST				*		1	1.00
30		11072402		THREAD TENSION NUT				*		1	
31		SM6040800SP		SCREW						2	
32		22538706		PACKING						1	

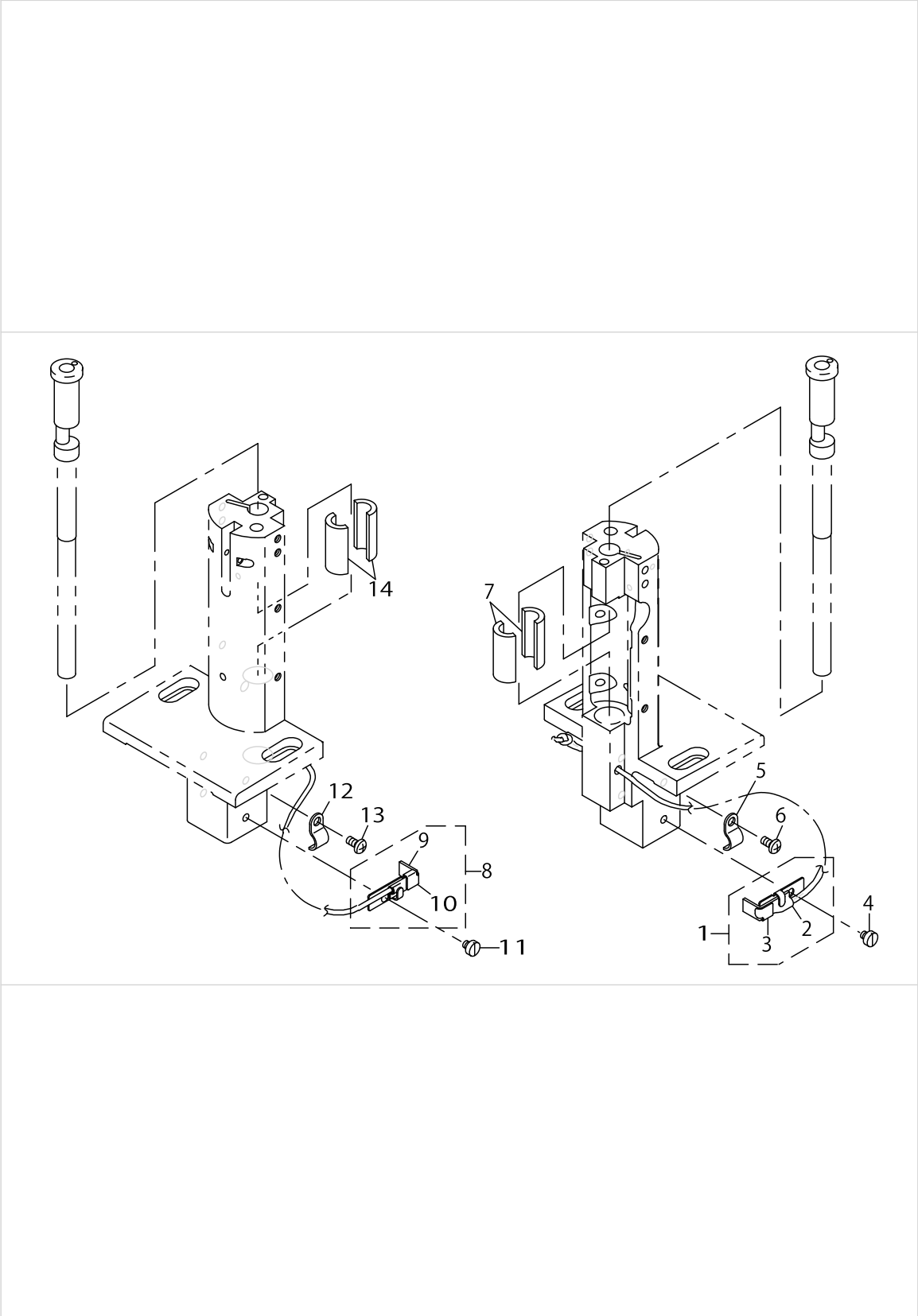
LUBRICATION COMPONENTS (FOR ARM)



LUBRICATION COMPONENTS (FOR ARM)

No.	Supply Code	Parts No.	Replacement	Parts name	Remarks	Choice	Step	Level	Cons	Qty	Rep. QTY
1		40042648		ARM ONCE THROUGH FELT ASM.						1	
2		21345707		ARM ONCE THROUGH FELT A				*		1	
3		40042647		ARM ONCE THROUGH FELT				*		1	
4		21345905		FACE ONCE THROUGH FELT				*		1	
5		21346358		FELT SUPPORT ASM.						1	
6		21346309		FELT SUPPORT				*		1	
7		21346507		FEED CHANGE FELT				*		1	
8		21346408		FELT				*		1	
9		EA9500B0000		CLIP CV-70S				*		2	
10		SS6110480SP		SCREW 11/64-40 L=4.3						1	
11		21340708		UPPER FEED OIL BAR PLATE						1	
12		SS7110510SP		SCREW 11/64-40 L=5						1	
13		CQ202000000		OIL WICK						.2	
14		21347000		TAKE-UP OIL PLATE						1	
15		CQ202000000		OIL WICK						.25	
16		21347208		TAKE-UP LUBRICATION FELT						1	
17		SS3090610SP		SCREW 9/64-40 L=6						1	
18		21346002		FELT						1	
19		B1412051000		FELT						1	
20		CQ252000000		OIL WICK						.55	
21		BT0500300EA		OIL TUBE						.17	
22		21407507		OIL TANK A						1	
23		21407606		OIL TANK B						1	
24		21407705		FELT						2	
25	R	SS6111010SP	SS6111010TP	SCREW 11/64-40 L=9.5						2	1.00
26		CQ202000000		OIL WICK	FOR PLC-1760L					.15	
27		21346101		LUBRICATION FELT PRESSER	FOR PLC-1760L					1	
28		21346200		MUTUAL VERTICAL CHANGE FELT	FOR PLC-1760L					1	
29		SS7120760SP		SCREW 3/16-28 L=7.0	FOR PLC-1760L					1	
30		PS0500202KP		SPRING PIN 5X20						1	
31		B3508512000		OIL FELT HOLDER						1	
32		SS7110710SP		SCREW 11/64-40 L=7						1	
33		22620504		OIL WICK HOLDER						1	
34		SS4110615SP		SCREW 11/64-40 L=6						1	
35		21339700		UPPER FEED STOPPER PLATE (B)	FOR PLC-- 1710,PLC-1760					1	
36		SS7111120TP		SCREW	FOR PLC-- 1710,PLC-1760					2	
37		WP0450801SD		WASHER 4.5X10X0.8	FOR PLC-- 1710,PLC-1760					1	
38		22620504		OIL WICK HOLDER	FOR PLC-- 1710,PLC-1760					1	
39		CQ202000000		OIL WICK	FOR PLC-- 1710,PLC-1760					.2	
40		EA9500B0100		CABLE BAND						1	

LUBRICATION COMPONENTS (FOR HOOK SHAFT BASE)

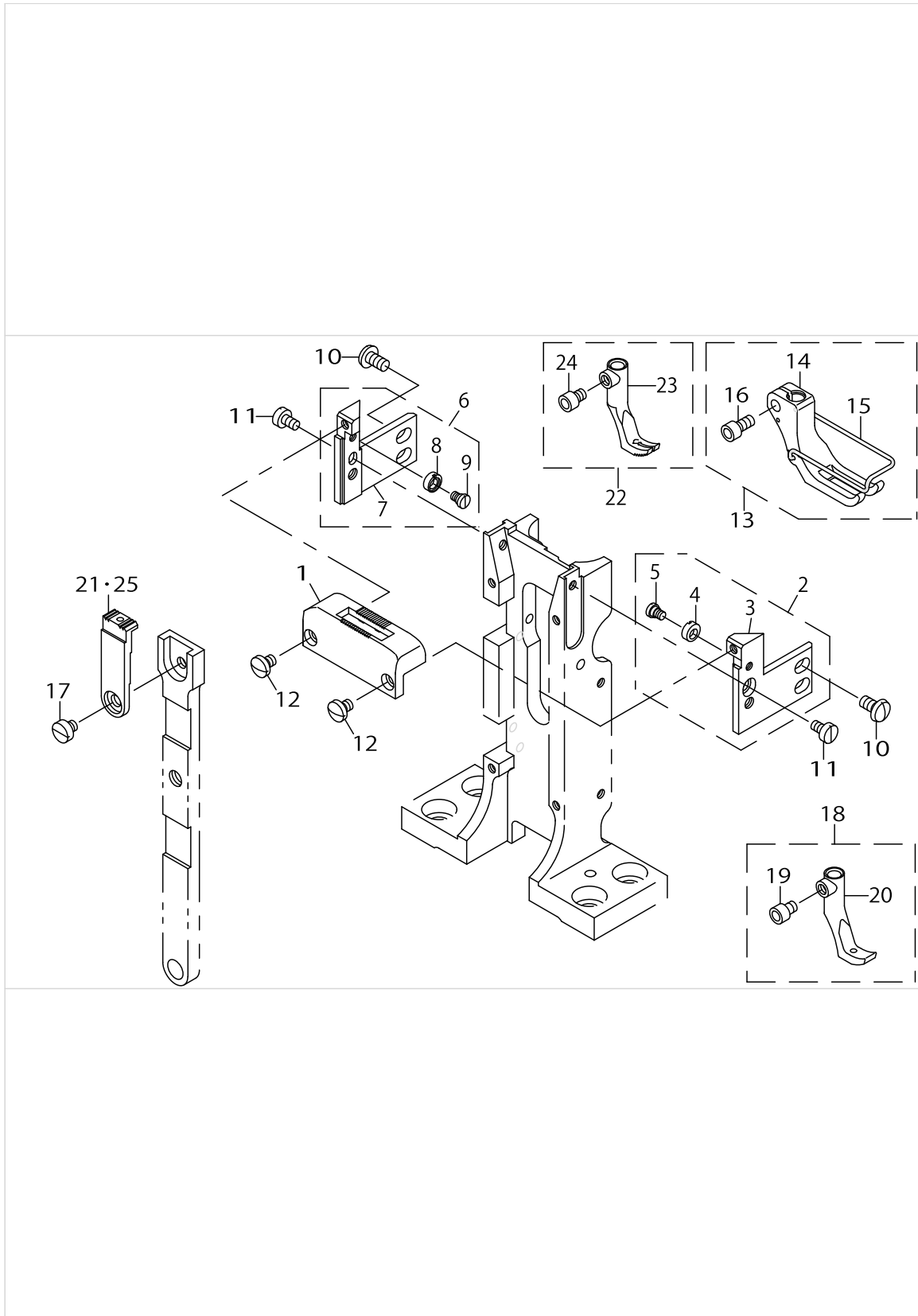


LUBRICATION COMPONENTS (FOR HOOK SHAFT BASE)

No.	Supply Code	Parts No.	Replacement	Parts name	Remarks	Choice	Step	Level	Cons	Qty	Rep. QTY
1		40038728		VILENE HOLDERASM.						1	
2		40038729		OIL WICK ASM.				*		1	
3		40038730		VILENE HOLDER				*		1	
4		SS6110480SP		SCREW 11/64-40 L=4.3						1	
5		D2611555B00A		CABLE HOLDER						1	
6		SS4110815SP		SCREW 11/64-40 L=8						1	
7		21345905		FACE ONCE THROUGH FELT						2	
8		40038728		VILENE HOLDERASM.	FOR PLC-- 1760,PLC-1760L					1	
9		40038729		OIL WICK ASM.				*		1	
10		40038730		VILENE HOLDER				*		1	
11		SS6110480SP		SCREW 11/64-40 L=4.3	FOR PLC-- 1760,PLC-1760L					1	
12		D2611555B00A		CABLE HOLDER	FOR PLC-- 1760,PLC-1760L					1	
13		SS4110815SP		SCREW 11/64-40 L=8	FOR PLC-- 1760,PLC-1760L					1	
14		21345905		FACE ONCE THROUGH FELT	FOR PLC-- 1760,PLC-1760L					2	



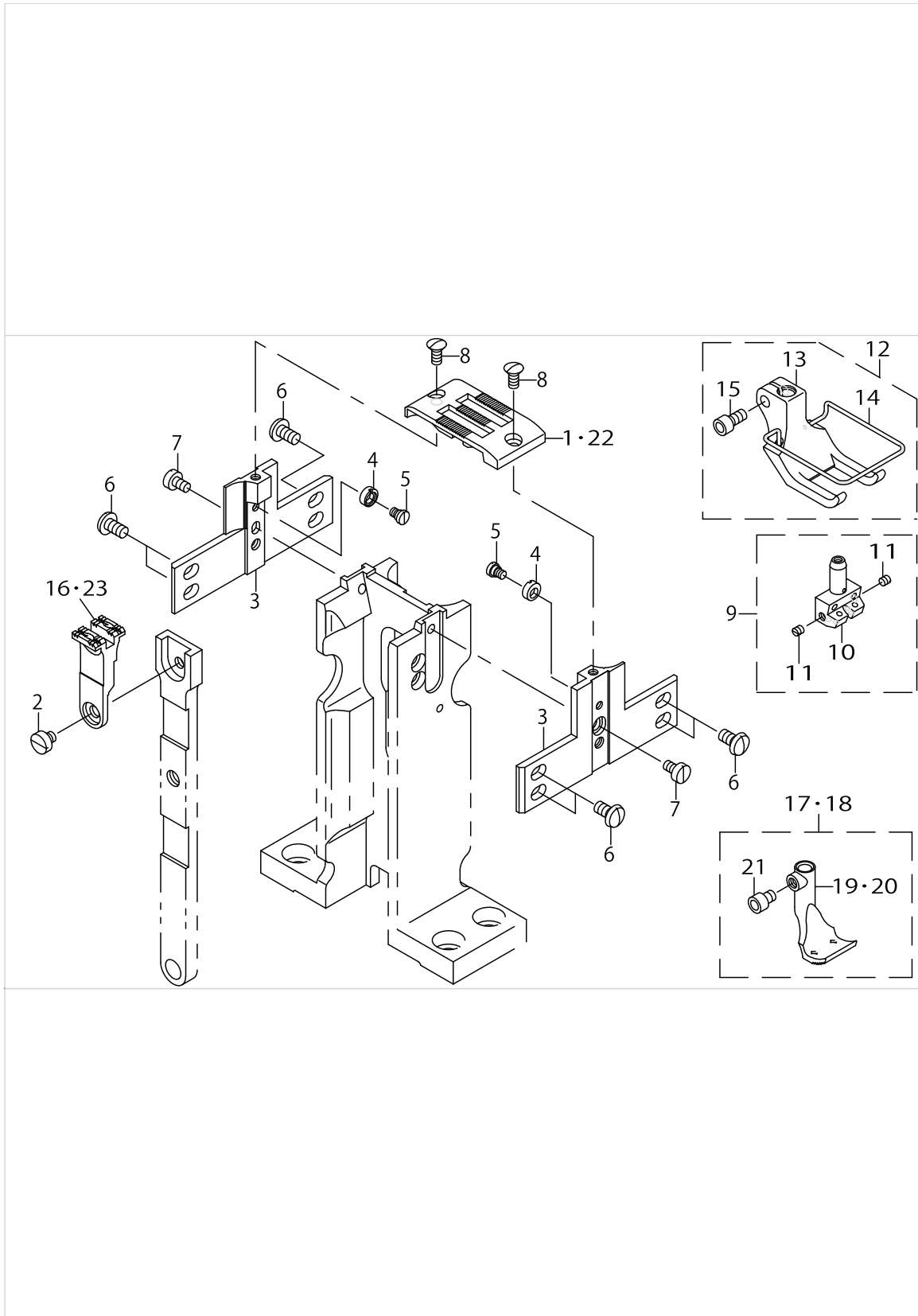
GAUGE COMPONENTS (STANDARD PARTS) (FOR PLC-1710)



GAUGE COMPONENTS (STANDARD PARTS) (FOR PLC-1710)

No.	Supply Code	Parts No.	Replacement	Parts name	Remarks	Choice	Step	Level	Cons	Qty	Rep. QTY
1		40038970		THROAT PLATE						1	
2		40038972		THROAT PLATE HOLDER A ASM.						1	
3		40038974		THROAT PLATE HOLDER A				*		1	
4		23007503		ECCENTRIC ROLLER				*		1	
5		23007602		HINGE SCREW				*		1	
6		40038976		THROAT PLATE HOLDER B ASM.						1	
7		40038977		THROAT PLATE HOLDER B				*		1	
8		23007503		ECCENTRIC ROLLER				*		1	
9		23007602		HINGE SCREW				*		1	
10		SS5110810SP		SCREW 11/64-40 L=8						4	
11	R	SS6090620SP	SS6090620TP	SCREW 9/64-40 L=6						2	1.00
12		SS7090530SP		SCREW 9/64-40 L=4.5					☆	2	
13		40017286		PRESSER FOOT ASM.						1	
14	R	40017287	40017286	PRESSER FOOT				*		1	1.00
15		10713402		FINGER AUXILIARY COVER				*		1	
16		SM6040802TP		SCREW M4X0.7 L=8				*		1	
17		SS6110480SP		SCREW 11/64-40 L=4.3						1	
18		21444559		PRESSER INNER FOOT ASM.						1	
19		SM6040552TP		SCREW M4 L=4.5				*		1	
20	R	21444500	21444559	PRESSER INNER FOOT				*		1	1.00
21		40038971		FEED						1	
22		40040295		FEED FOOT ASM.	OPTIONAL PARTS					1	
23		40040296		FEED FOOT				*		1	
24		SM6040552TP		SCREW M4 L=4.5				*		1	
25		40040294		FEED	OPTIONAL PARTS					1	

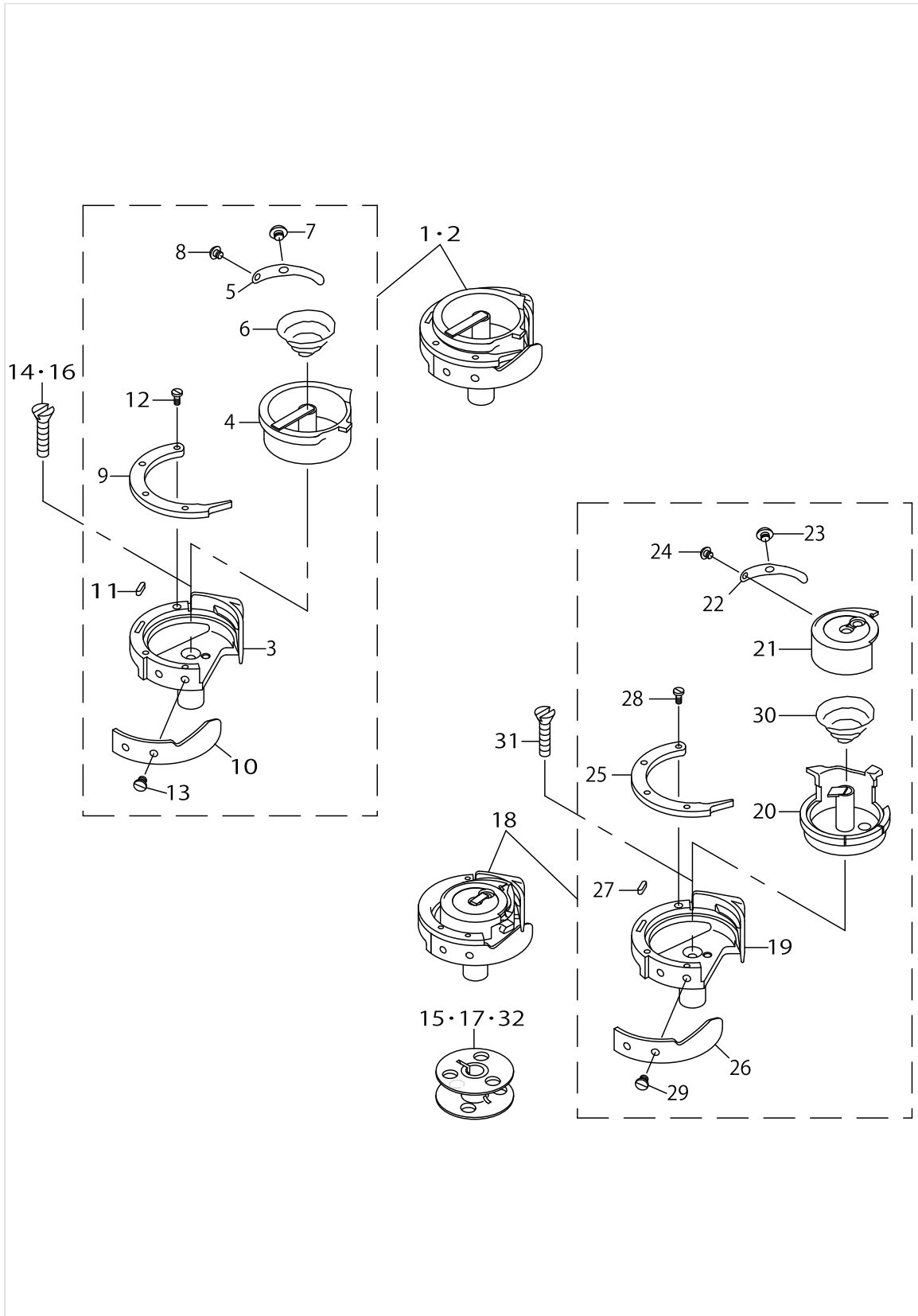
GAUGE COMPONENTS (STANDARD PARTS) (FOR PLC-1760,PLC-1760L)



GAUGE COMPONENTS (STANDARD PARTS) (FOR PLC-1760,PLC-1760L)

No.	Supply Code	Parts No.	Replacement	Parts name	Remarks	Choice	Step	Level	Cons	Qty	Rep. QTY
1		40038994		NEEDLE PLATE (10MM)	FOR PLC-1760					1	
2		SS6110480SP		SCREW 11/64-40 L=4.3						1	
3		40038787		THROAT PLATE HOLDER(10MM)						2	
4		23007503		ECCENTRIC ROLLER						2	
5		23007602		HINGE SCREW						2	
6		SS5110810SP		SCREW 11/64-40 L=8						8	
7	R	SS6090620SP	SS6090620TP	SCREW 9/64-40 L=6						2	1.00
8		SS2090810SP		SCREW 9/64-40 L=7.5					☆	2	
9		40038774		NEEDLE CLAMP(10MM)ASM.						1	
10	R	40038775	40038774	NEEDLE CLAMP(10MM)					*	1	1.00
11		SS8080310TP		SCREW 1/8-44 L=2.8					*	☆	2
12		40038795		PRESSER FOOT(10MM)ASM.						1	
13	R	40038796	40038795	PRESSER FOOT(10MM)					*	1	1.00
14		40038794		FINGER GURDE(10-12MM)					*	1	
15		SM6040802TP		SCREW M4X0.7 L=8					*	1	
16		40039007		FEED (3.8-2.4)(10MM)	FOR PLC-1760					1	
17		40038842		FEED FOOT(10MM)ASM.	FOR PLC-1760					1	
18		40038898		FEED FOOT(10MM 60L)ASM.	FOR PLC-1760L					1	
19	R	40038843	40038842	FEED FOOT(10MM)	FOR PLC-1760				*	1	1.00
20	R	40038899	40038898	FEED FOOT(10MM 60L)	FOR PLC-1760L				*	1	1.00
21		SM6040552TP		SCREW M4 L=4.5					*	1	
22		40038893		THROAT PLATE(10MM 60L)	FOR PLC-1760L					1	
23		40038897		FEED(10MM 60L)	FOR PLC-1760L					1	

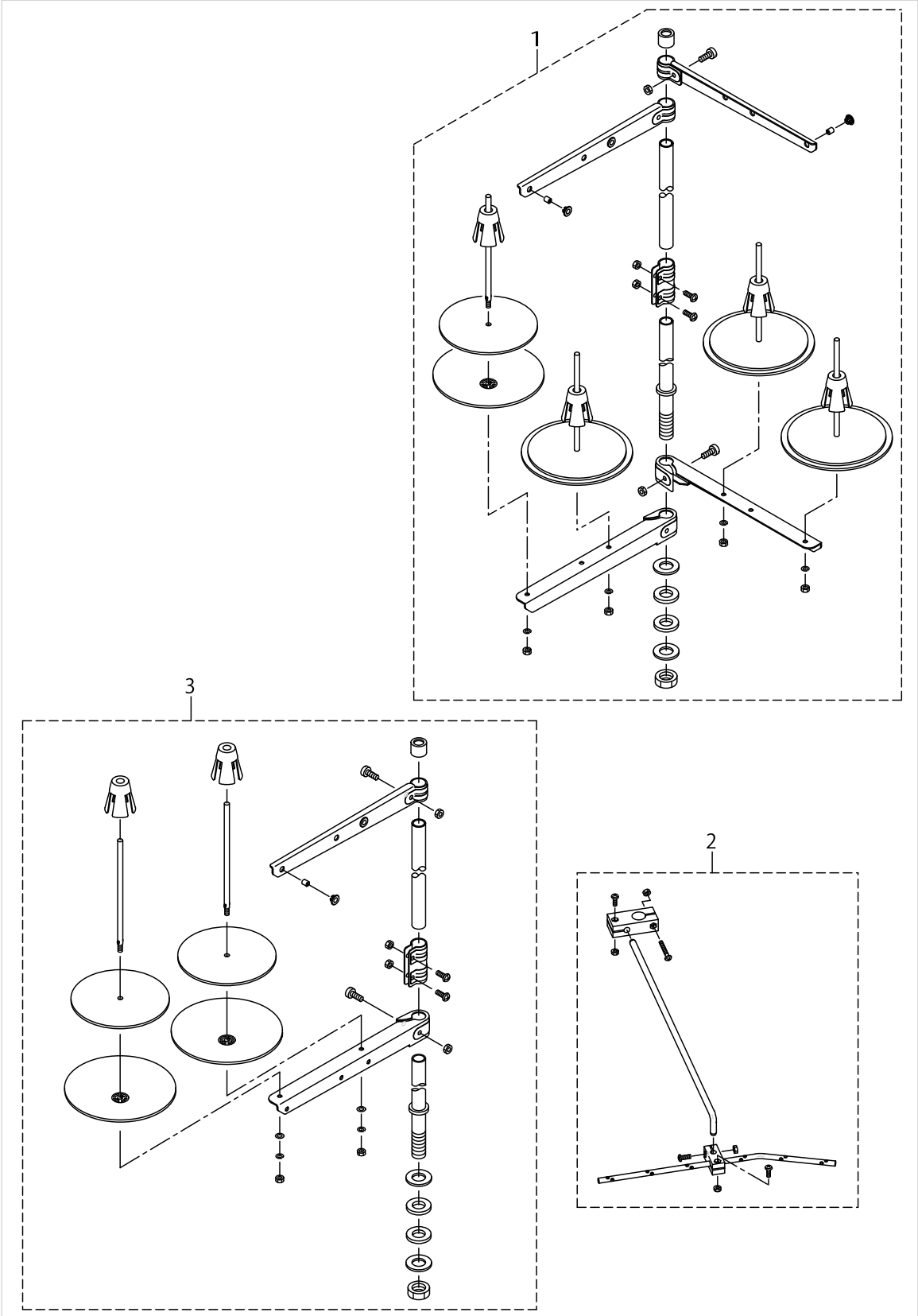
HOOK COMPONENTS



HOOK COMPONENTS

No.	Supply Code	Parts No.	Replacement	Parts name	Remarks	Choice	Step	Level	Cons	Qty	Rep. QTY
1		40039010		HOOK ASM.	FOR PLC-1710					1	
2		40039010		HOOK ASM.	FOR PLC-1760					2	
3	R	40038732	40038731	HOOK				*		1	1.00
4		40039887		INNER HOOK				*		1	
5		21442207		TENSION SPRING				*		1	
6		10723500		IDLING PREVENTION SPRING				*	☆	1	
7		21432000		ADJUSTING SCREW				*	☆	1	
8		21432109		ADJUSTING SPRING SCREW				*		1	
9		23026008		INNER HOOK PRESSER WITH HORN				*		1	
10		23058506		NEEDLE GUIDE				*		1	
11		23026404		FELT				*		1	
12		10723104		PRESSER SETSCREW				*	☆	3	
13		22814008		SCREW				*	☆	2	
14		SS1092810SP		SCREW 9/64-40 L=25.4	FOR PLC-1710				☆	1	
15		10759603		ALUMINUM BOBBIN (DOUBLE-CUT)	FOR PLC-1710				☆	1	
16		SS1092810SP		SCREW 9/64-40 L=25.4	FOR PLC-1760				☆	2	
17		10759603		ALUMINUM BOBBIN (DOUBLE-CUT)	FOR PLC-1760				☆	2	
18		40038870		HOOK ASM.(60L)	FOR PLC-1760L					2	
19	R	40038732	40038731	HOOK				*		1	1.00
20		40038868		INNER HOOK				*		1	
21		40038869		CAP				*		1	
22		23058605		TENSION SPRING				*		1	
23		21432000		ADJUSTING SCREW				*	☆	1	
24		21432109		ADJUSTING SPRING SCREW				*		1	
25		23026008		INNER HOOK PRESSER WITH HORN				*		1	
26		23058506		NEEDLE GUIDE				*		1	
27		23026404		FELT				*		1	
28		10723104		PRESSER SETSCREW				*	☆	3	
29		22814008		SCREW				*	☆	2	
30		10723500		IDLING PREVENTION SPRING				*	☆	1	
31		SS1092810SP		SCREW 9/64-40 L=25.4	FOR PLC-1760L				☆	2	
32		10759603		ALUMINUM BOBBIN (DOUBLE-CUT)	FOR PLC-1760L				☆	2	

THREAD STAND COMPONENTS

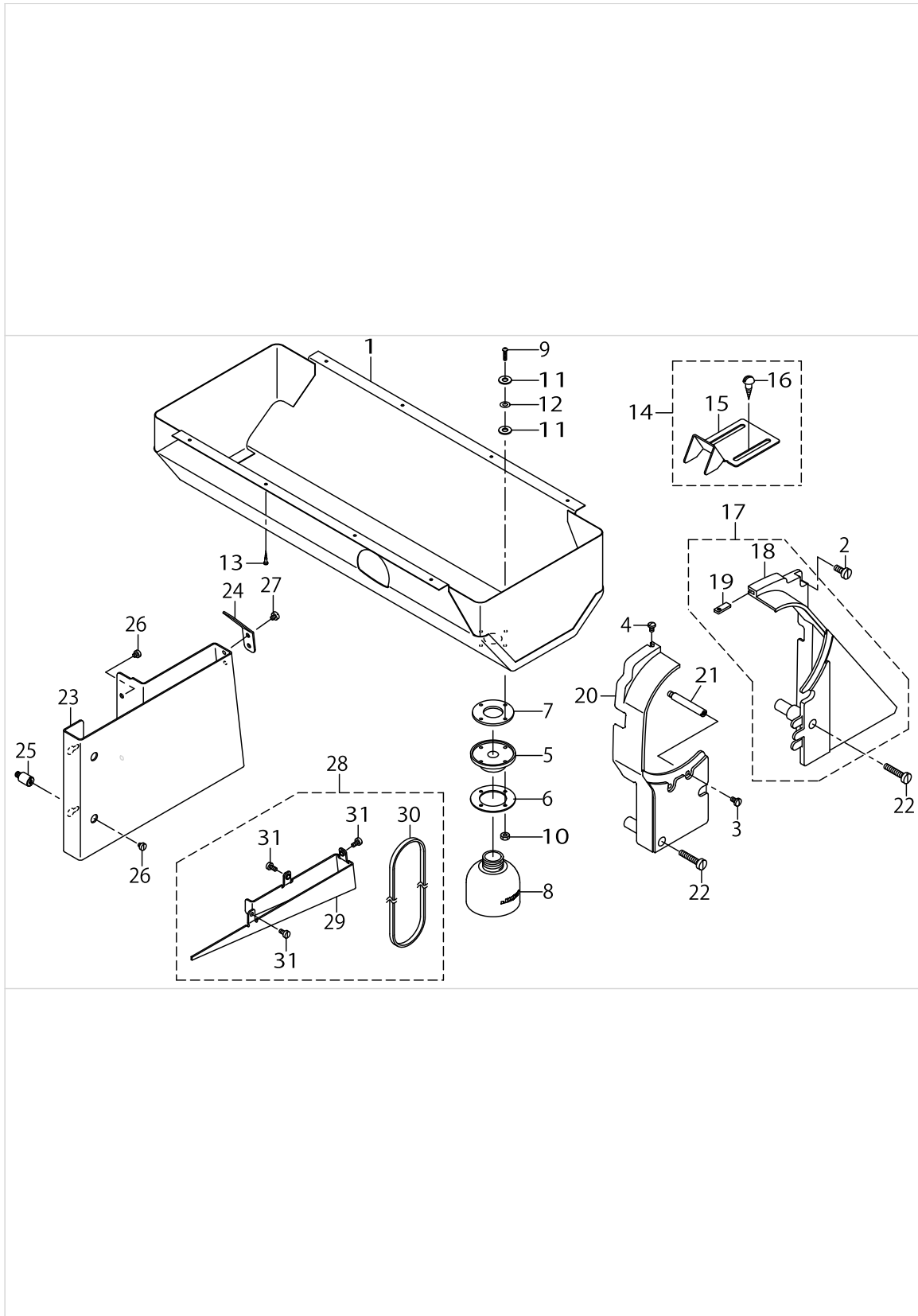


THREAD STAND COMPONENTS

No.	Supply Code	Parts No.	Replacement	Parts name	Remarks	Choice	Step	Level	Cons	Qty	Rep. QTY
1		26910158		THREAD STANDING DEVICE ASM.	FOR PLC-- 1760,PLC-1760L					1	
2		26910059		THREAD GUIDE ARM ASM.						1	
3		40096354		THREAD STAND ASM.	FOR PLC-1710					1	



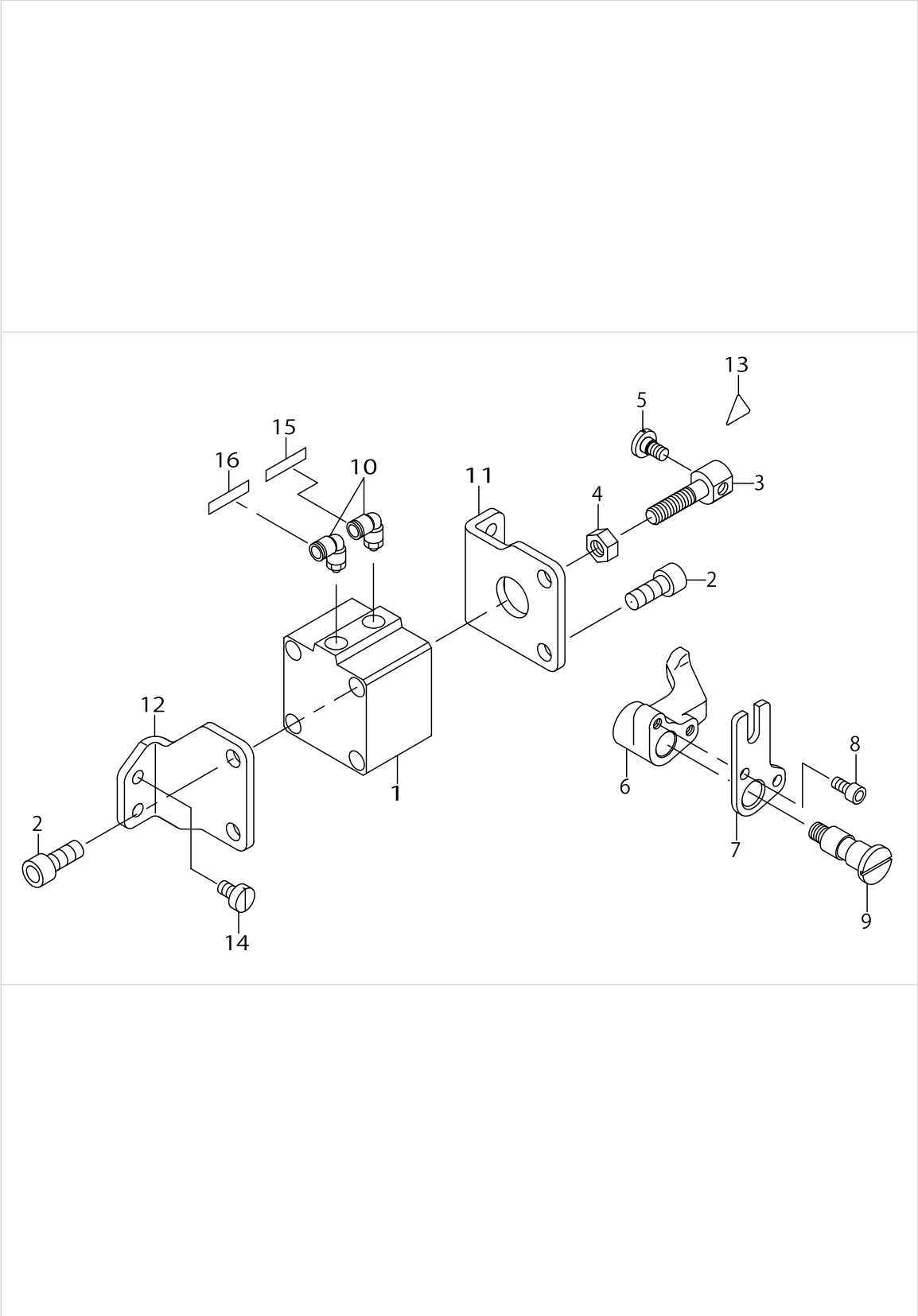
# BELT COVER & OIL RESERVOIR COMPONENTS



BELT COVER & OIL RESERVOIR COMPONENTS

No.	Supply Code	Parts No.	Replacement	Parts name	Remarks	Choice	Step	Level	Cons	Qty	Rep. QTY
1		21351457		OIL RESERVOIR ASM.						1	
2		SS6151440SP		SCREW15/64-28L=14						1	
3		SS7110840SP		SCREW 11/64-40 L=7.8						1	
4		SS5110740TP		SCREW 11/64-40 L=6.5						1	
5		40025299		OIL POT JOINT						1	
6		21379003		OIL MANAGEMENT WASHER						1	
7		B8112220000		OIL SEAL						1	
8		40025300		OIL POT						1	
9		SM3031401SE		SCREW M3X0.5 L=14						4	
10		NM6030001SC		NUT M3						4	
11		10748101		OIL REMOVING SET- SCREW PACKING						8	
12		WP0320501SC		WASHER M3						4	
13		SK3241601SC		WOOD SCREW D=2.4 L=16						8	
14		10755254		BELT COVER C ASM. (FOR JE)						1	
15		10755205		BELT COVER C(JE)				*		1	
16	R	SK3482500SC	SK3482501SE	WOOD SCREW D=4.8 L=25				*		2	1.00
17		21351150		BELT COVER ASM. (RIGHT)						1	
18	R	21351101	21351150	BELT COVER (RIGHT)				*		1	1.00
19		21351002		BELT COVER AUXILIARY PLATE				*		1	
20		21351200		BELT COVER (LEFT)						1	
21		D8232241E00		BELT COVER SUPPORT A						1	
22		SS6153040SP		SCREW15/64-28L=30						2	
23		40038823		BELT COVER(UNDER)						1	
24		40017309		BELT COVER LID						1	
25		40038824		BELT COVER STUD						2	
26		SS6110480SP		SCREW 11/64-40 L=4.3						4	
27		SS6110480SP		SCREW 11/64-40 L=4.3						2	
28		40080024		BELT COVER (FOR OBLIQUE TABLE)	OPTIONAL PARTS					1	
29		40078969		BELT COVER(FOR OBLQUE TABLE)				*		1	
30		MTJVH00550A		V-BELT 55INCH				*		1	
31		SS6110480SP		SCREW 11/64-40 L=4.3				*		3	

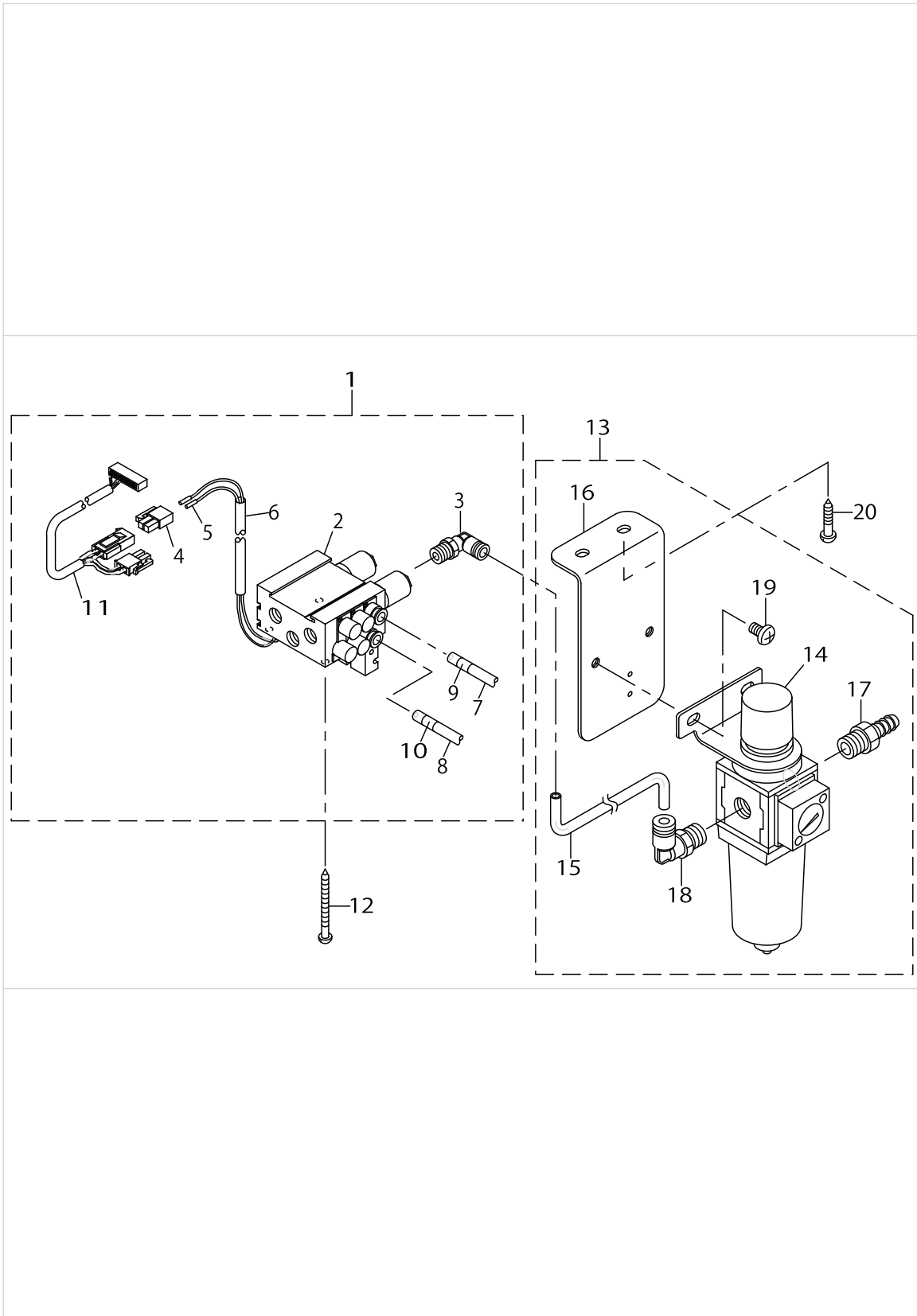
AUTOMATIC PRESSER LIFTING MECHANISM COMPONENTS (OPTIONAL PARTS)



AUTOMATIC PRESSER LIFTING MECHANISM COMPONENTS (OPTIONAL PARTS)

No.	Supply Code	Parts No.	Replacement	Parts name	Remarks	Choice	Step	Level	Cons	Qty	Rep. QTY
1		PA400150100		AIR CYLINDER						1	
2		SM6082002TP		SCREW M8 L=20						4	
3		21356506		CYLINDER CONNECTING SCREW						1	
4		NM6080001SE		NUT M8						1	
5		SD0720331SP		HINGE SCREW D=7.24 H=3.3						1	
6		21388509		PRESSER LIFTER LEVER A						1	
7		21356803		PRESSER LIFTER LEVER B						1	
8		SM6051002TP		SCREW M5X0.8 L=10						2	
9		21356704		SHAFT						1	
10		PJ304065101		ELBOW UNION 6XPT1/8						2	
11		21356308		CYLINDER STAY(FRONT)						1	
12		21356407		CYLINDER STAY(REAR)						1	
13		CM300200001		ATTENTION SEAL 16						1	
14		SS6151040SP		SCREW15/64-28L=10						4	
15		HX00295000A		WIRE MARK(2)						1	
16		HX00295000B		WIRE MARK(3)						1	

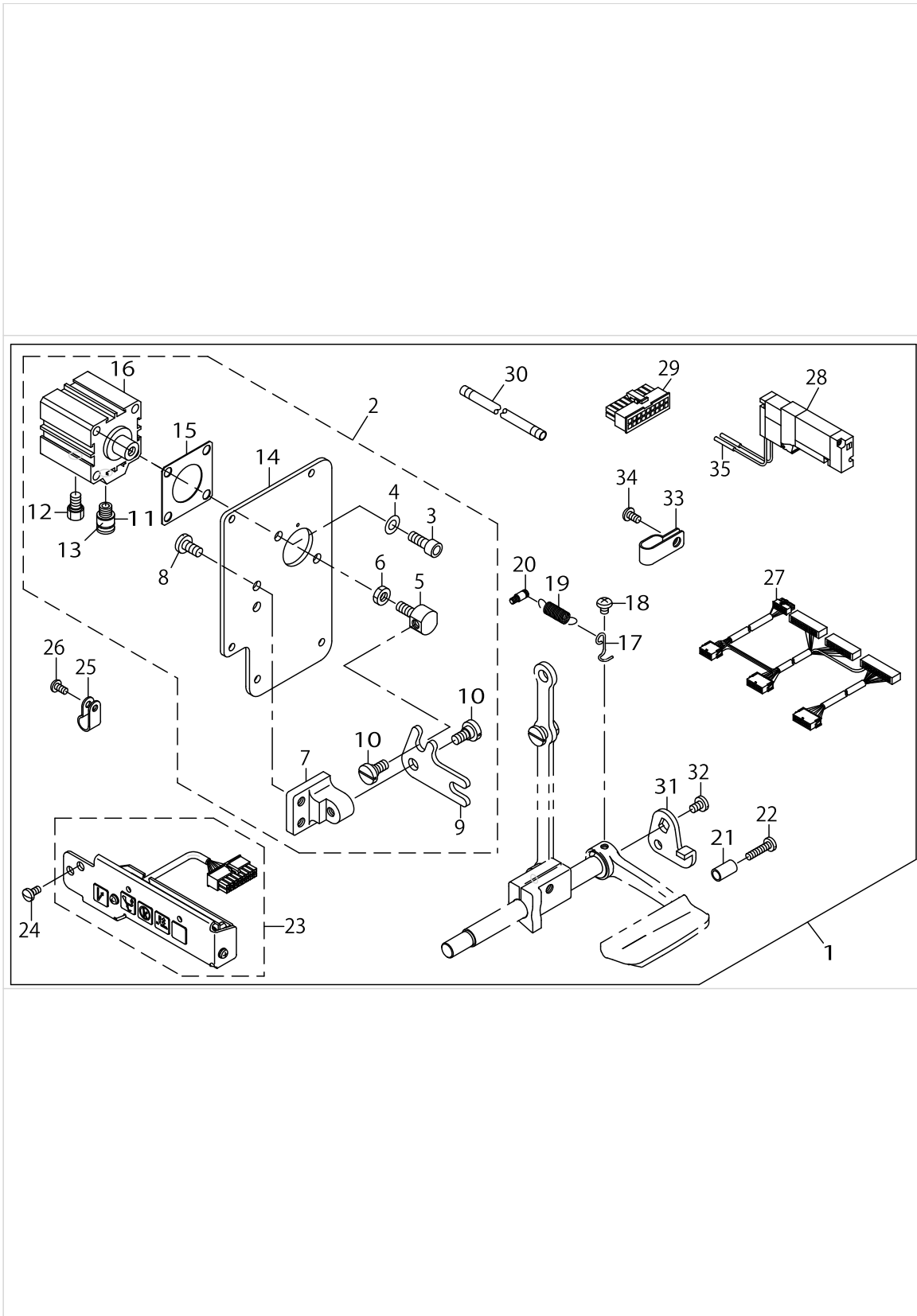
AIR MECHANISM COMPONENTS (OPTIONAL PARTS)



AIR MECHANISM COMPONENTS (OPTIONAL PARTS)

No.	Supply Code	Parts No.	Replacement	Parts name	Remarks	Choice	Step	Level	Cons	Qty	Rep. QTY
1		40103003		AIR APPARATUS(P)ASM.						1	
2		40038904		MAGNETIC VALVE(P)				*		1	
3		GAK29010000		ELBOW B				*		1	
4		HK034610020		2-POLE NYLON PLUG				*		1	
5		HK03464000A		TERMINAL FEMALE				*		2	
6		GAKA1503000		INSULATION TUBE				*		0.2	
7		BT0600401EB		TUBE				*		1.3	
8		BT0600401EB		TUBE				*		1.3	
9		HX00295000A		WIRE MARK(2)				*		4	
10		HX00295000B		WIRE MARK(3)				*		4	
11		40105811		CORD ASM.				*		1	
12		SK3385001SE		WOOD SCREW D=3.8 L=50						4	
13		40038722		FILTER REGULATOR ASM.						1	
14		PF0552170A0		FILTER REGULATOR				*		1	
15		BT0600401EB		TUBE				*		1	
16		40038723		FILTER REGULATOR MOUNTING PLATE				*		1	
17		40107618		NIPPLE				*		1	
18		GAK29009000		ELBOW				*		1	
19		SM4061001SB		SCREW M6 L=10				*		2	
20		SK3482501SE		WOOD SCREW D=4.8 L=25						2	

AUTOMATIC BACK COMPONENTS (FOR PLC-1710,PLC-1760 OPTIONAL PARTS)

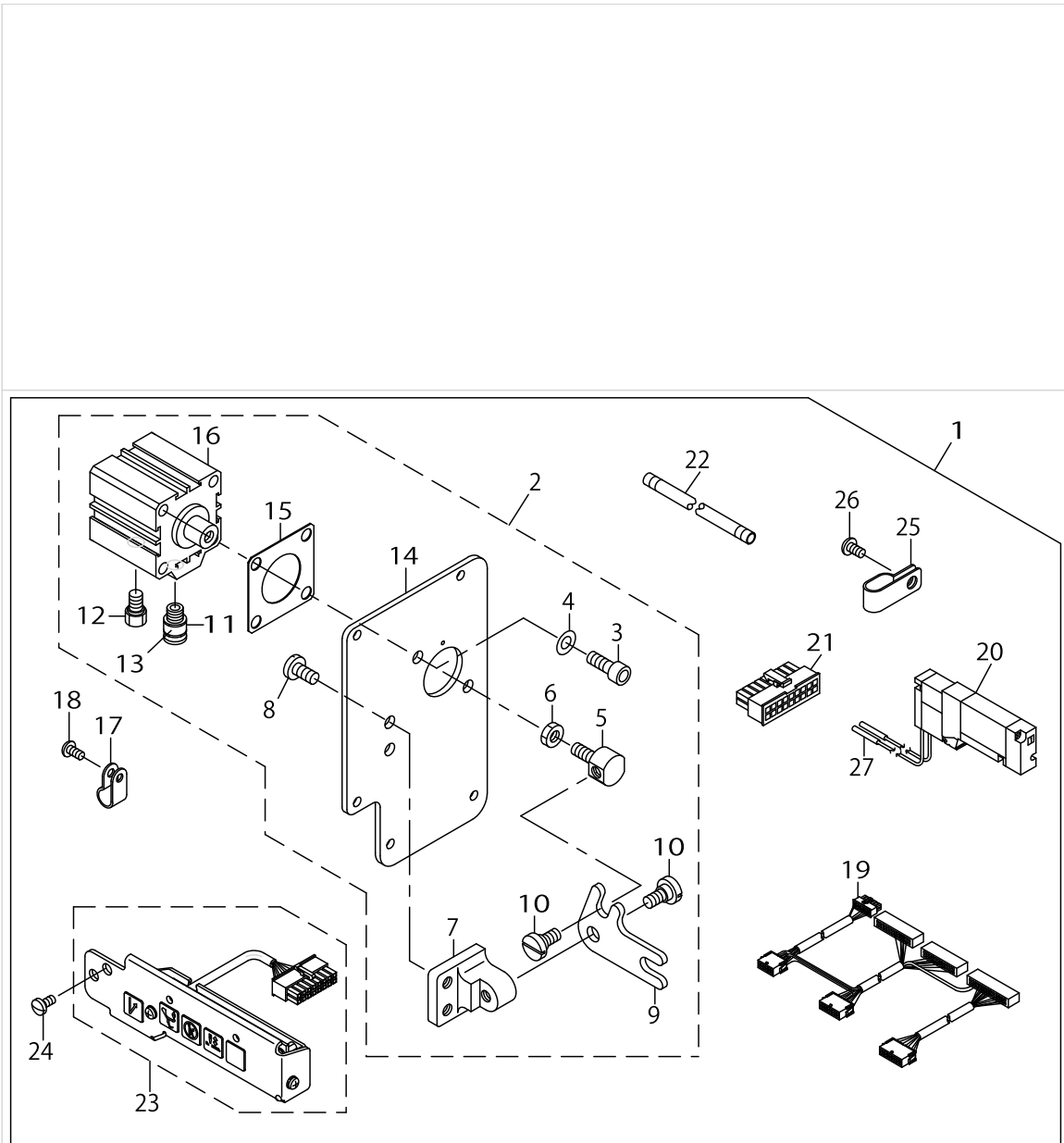


AUTOMATIC BACK COMPONENTS (FOR PLC-1710,PLC-1760 OPTIONAL PARTS)

No.	Supply Code	Parts No.	Replacement	Parts name	Remarks	Choice	Step	Level	Cons	Qty	Rep. QTY
1		40040415		OPTIONAL PARTS (BT)						1	
2		40040660		WINDOW PLATE ASM.						1	
3		SM6061602TP		SCREW M6 L=16				*		2	
4		WP0641601SD		WASHER M6				*		2	
5		21348602		CYLINDER CONNECTING SCREW				*		1	
6		NM6060003SC		NUT M6				*		1	
7		21348503		FITTING BASE				*		1	
8		SS7151210SP		SCREW15/64-28L=12				*		2	
9		21348701		BACKWARD FEED LINK				*		1	
10		SD0800352SP		HINGE SCREW D=8 H=3.5				*		2	
11		PJ301065104		HALF UNION				*		1	
12		PX015101000		MUFFLER				*		1	
13		HX002950000		WIRE MARK(1)				*		1	
14		40043357		WINDOW PLATE H				*		1	
15		21349105		CYLINDER PACKING				*		1	
16		PA320150200		JIG CYLINDER				*		1	
17		22656003		SPRINGSUSPENSION						1	
18		SS4120615SP		SCREW 3/16-28 L=6						1	
19		26226209		SPRING						1	
20		40023289		SPRINGSUSPENSION						1	
21		22952501		BACK LEVER STOPPER						1	
22	R	SS7111810SP	SS7111810TP	SCREW11/64-40L=18						1	1.00
23		40102062		5RANGE SWITCH ASM.						1	
24		SS7110840SP		SCREW 11/64-40 L=7.8						2	
25		HX00123000A		CABLE CLIP						3	
26		SS4110815SP		SCREW 11/64-40 L=8						3	
27		40101742		RELAY CORD ASM.						1	
28		40040418		MAGNETIC VALVE						1	
29		HK034610180		CONNECTOR						1	
30		40040671		AIR HOSE ASM. (BT)						1	
31		22656102		REVERSE FEED LINK (1)						1	
32		SS7120760SP		SCREW 3/16-28 L=7.0						1	
33		D2112555B00		CORD HOLDER, LARGE						2	
34		SS6111140SP		SCREW11/64-40L=11						2	
35		HK03464000A		TERMINAL FEMALE						2	



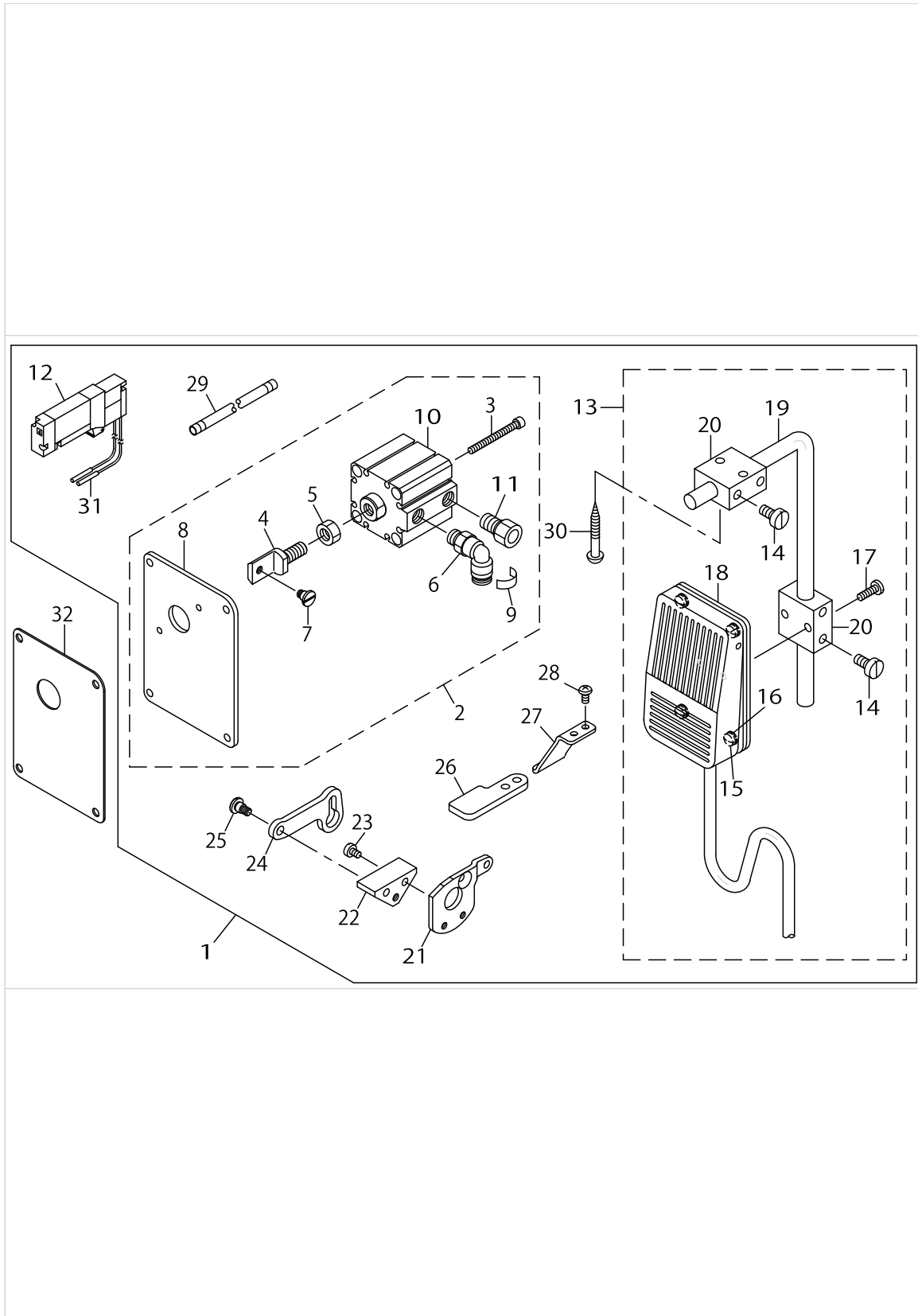
AUTOMATIC BACK COMPONENTS (FOR PLC-1760L OPTIONAL PARTS)



AUTOMATIC BACK COMPONENTS (FOR PLC-1760L OPTIONAL PARTS)

No.	Supply Code	Parts No.	Replacement	Parts name	Remarks	Choice	Step	Level	Cons	Qty	Rep. QTY
1		40040469		OPTIONAL PARTS (BT)						1	
2		40040660		WINDOW PLATE ASM.						1	
3		SM6061602TP		SCREW M6 L=16				*		2	
4		WP0641601SD		WASHER M6				*		2	
5		21348602		CYLINDER CONNECTING SCREW				*		1	
6		NM6060003SC		NUT M6				*		1	
7		21348503		FITTING BASE				*		1	
8		SS7151210SP		SCREW15/64-28L=12				*		2	
9		21348701		BACKWARD FEED LINK				*		1	
10		SD0800352SP		HINGE SCREW D=8 H=3.5				*		2	
11		PJ301065104		HALF UNION				*		1	
12		PX015101000		MUFFLER				*		1	
13		HX002950000		WIRE MARK(1)				*		1	
14		40043357		WINDOW PLATE H				*		1	
15		21349105		CYLINDER PACKING				*		1	
16		PA320150200		JIG CYLINDER				*		1	
17		HX00123000A		CABLE CLIP						3	
18		SS4110815SP		SCREW 11/64-40 L=8						3	
19		40101742		RELAY CORD ASM.						1	
20		40040418		MAGNETIC VALVE						1	
21		HK034610180		CONNECTOR						1	
22		40040671		AIR HOSE ASM. (BT)						1	
23		40102062		5RANGE SWITCH ASM.						1	
24		SS7110840SP		SCREW 11/64-40 L=7.8						2	
25		D2112555B00		CORD HOLDER LARGE						2	
26		SS6111140SP		SCREW11/64-40L=11						2	
27		HK03464000A		TERMINAL FEMALE						2	

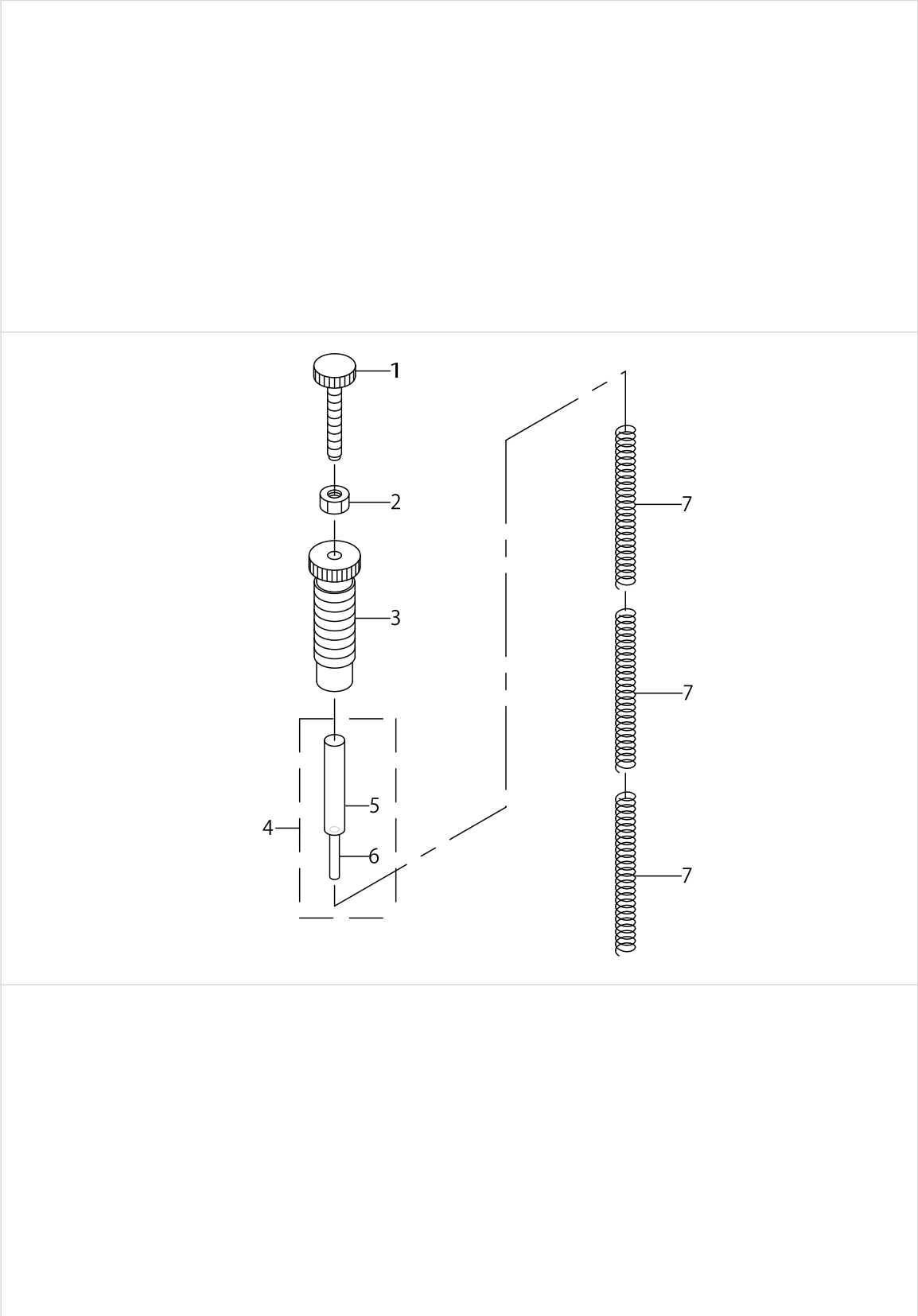
DL MECHANISM COMPONENTS (FOR PLC-1760L OPTIONAL PARTS)



DL MECHANISM COMPONENTS (FOR PLC-1760L OPTIONAL PARTS)

No.	Supply Code	Parts No.	Replacement	Parts name	Remarks	Choice	Step	Level	Cons	Qty	Rep. QTY
1		40040416		OPTIONAL PARTS (DL)						1	
2		40040663		WINDOW PLATE ASM.						1	
3		SM6044002TP		SCREW				*		2	
4		21438403		CYLYNDER CONNECTING SCREW				*		1	
5		NM6080721SE		NUT M8				*		1	
6		PJ304065101		ELBOW UNION 6XPT1/8				*		1	
7		SD0600403TP		HINGE SCREW				*		1	
8		21437207		WINDOW PLATE F				*		1	
9		HX00295000C		WIRE MARK(4)				*		1	
10		PA320200100		JIG CYLINDER				*		1	
11		PX015101000		MUFFLER				*		1	
12		40040418		MAGNETIC VALVE						1	
13		40025036		KNEE SWITCH ASM.						1	
14		SS6151220SP		SCREW 15/64-28 L=11.5				*		4	
15		SS7110710SL		SCREW 11/64-40 L=7.0				*		4	
16		WP0480856SP		WASHER 4.8X8.4X0.8				*		4	
17	R	SS7111410SP	SS7111410TP	SCREW 11/64-40L=14				*		2	1.00
18	D	GAKA14040A0		KNEE SWITCH A ASM.				*		1	
19		MAT80231T00		DRIVING BAR T002				*		1	
20		MAT80230T00		KNEE SWITCH SUPPORT BASE				*		2	
21		21438106		STOPPER PLATE B						1	
22		21438601		MUTUAL VERTICAL LINK SPASER						1	
23		SS6110610TP		SCREW 11/64-40 L=6						2	
24		21438502		MUTUAL VERTICAL LINK						1	
25		SD0600454TP		SHOULDER SCREW						1	
26		21438205		UPPER FEED STOPPER PLATE						1	
27		21438700		MUTUAL VERTICAL LINK SUPPORT						1	
28		SS4110815SP		SCREW 11/64-40 L=8						2	
29		40040672		AIR HOSE ASM. (DL)						1	
30	R	SK3514000SC	SK3514001SE	WOOD SCREW D=5.1 L=40						2	1.00
31		HK03464000A		TERMINAL FEMALE						1	
32		21437306		WINDOW PLATE E PACKING						1	

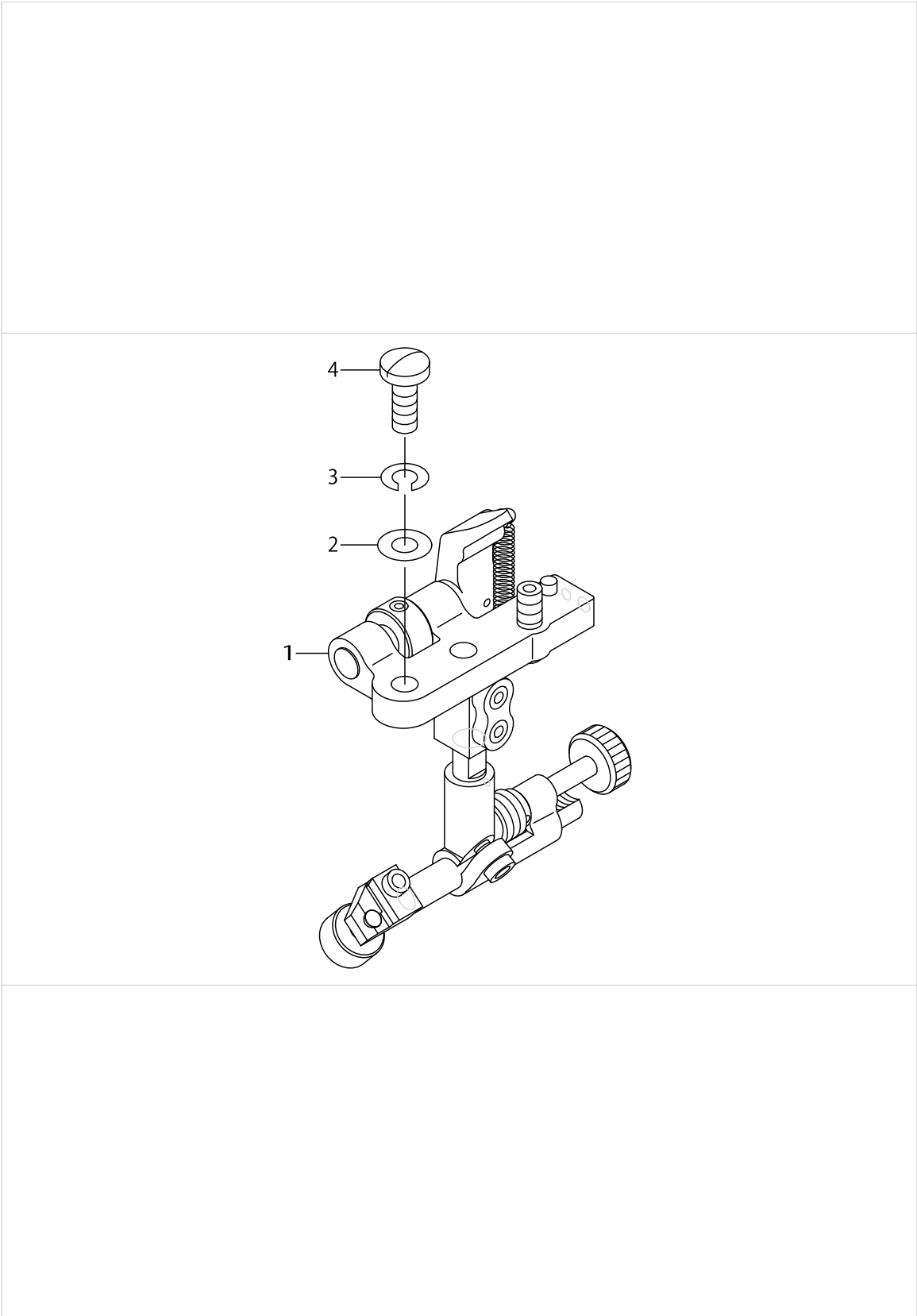
ADDITIONAL SPRING FOR PRESSER BAR COMPONENTS (FOR PLC-1710,PLC-1760 OPTIONAL PARTS)



ADDITIONAL SPRING FOR PRESSER BAR COMPONENTS (FOR PLC-1710,PLC-1760 OPTIONAL PARTS)

No.	Supply Code	Parts No.	Replacement	Parts name	Remarks	Choice	Step	Level	Cons	Qty	Rep. QTY
1		21006507		ADJUST SCREW B						1	
2		NS6110530SP		NUT 11/64-40						1	
3		21006408		ADJUST SCREW A						1	
4		40072709		SPRING SUPPORT SHAFT ASM.						1	
5		40072708		SPRING SUPPORT SHAFT				*		1	
6		PS0300242K0		SPRING PIN 3.0X24				*		1	
7		21006002		ADJUST SPRING B						3	

SUSPENSION SQUARE COMPONENTS (OPTIONAL PARTS)

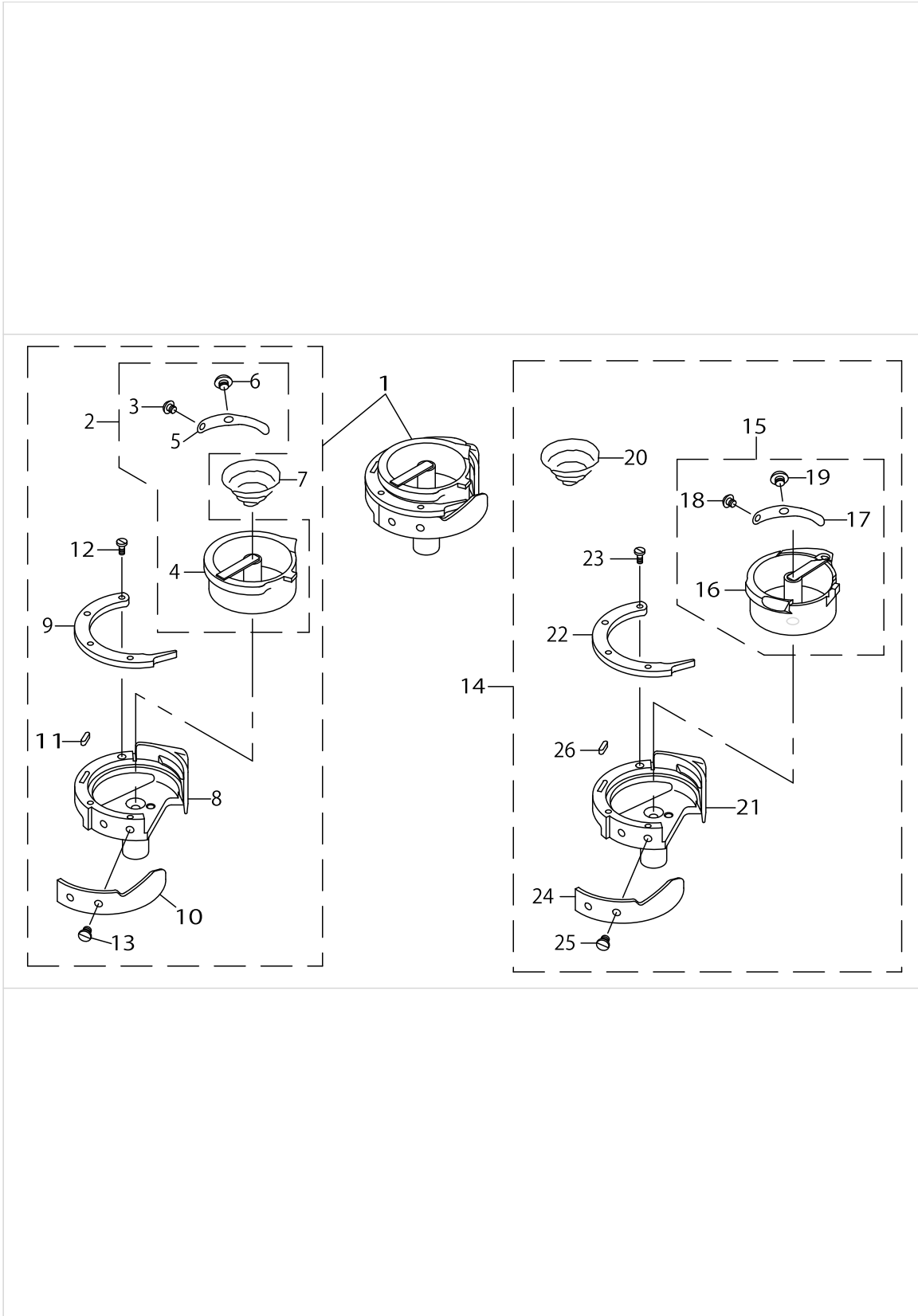


SUSPENSION SQUARE COMPONENTS (OPTIONAL PARTS)

No.	Supply Code	Parts No.	Replacement	Parts name	Remarks	Choice	Step	Level	Cons	Qty	Rep. QTY
1		MAH152010A0		RULER						1	
2		WP0621016SD		WASHER 6.2X13X1						2	
3		WS0610002KN		SPRING WASHER 6.1X12.2X1.5						2	
4		SS7151610SP		SCREW15/64-28L=16						2	



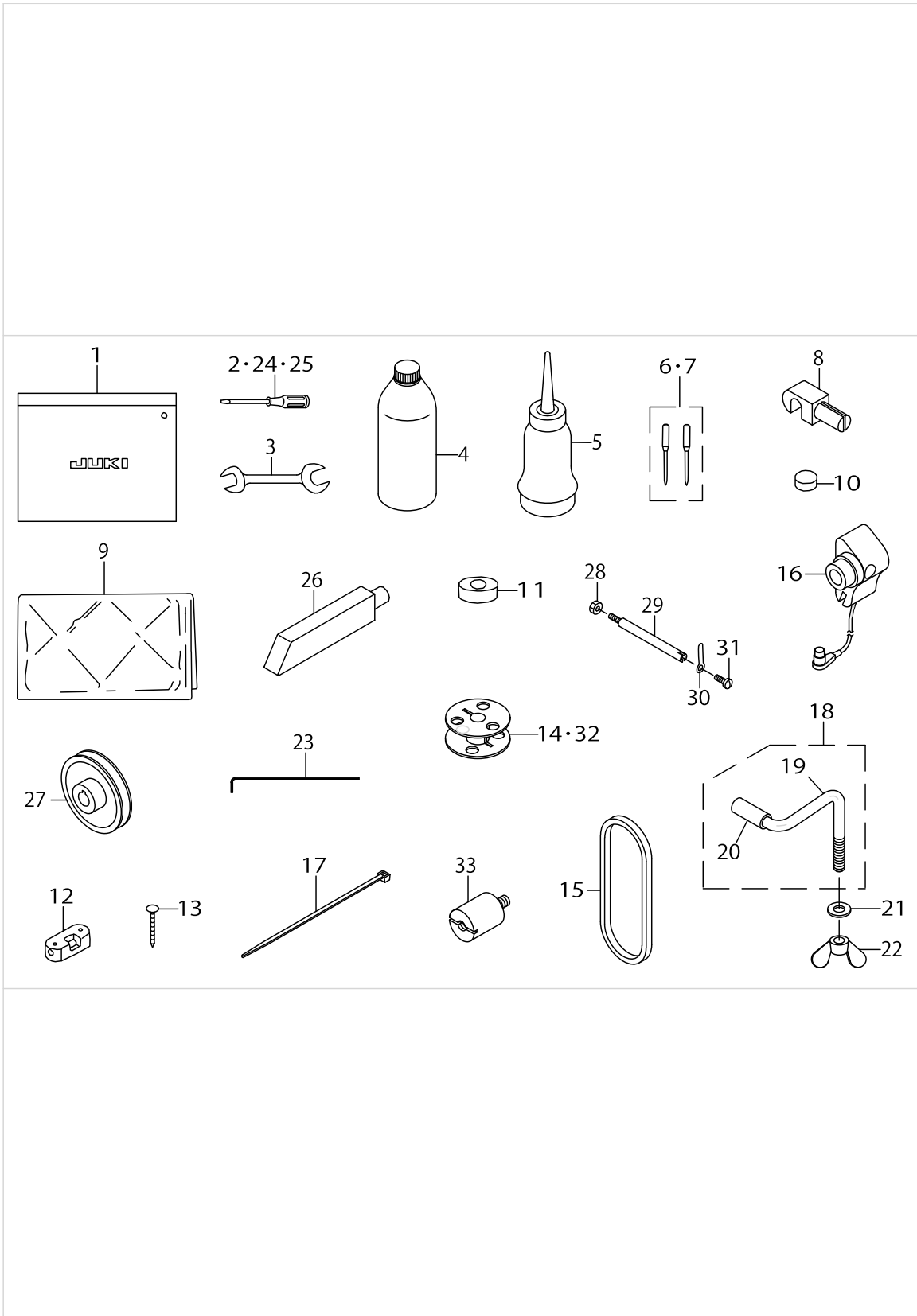
HOOK COMPONENTS (OPTIONAL PARTS)



HOOK COMPONENTS (OPTIONAL PARTS)

No.	Supply Code	Parts No.	Replacement	Parts name	Remarks	Choice	Step	Level	Cons	Qty	Rep. QTY
1		40066698		HOOK ASM.						2	
2		40066795		INNER HOOK ASM.				*		1	
3		10723401		TENSION SPRING SETSCREW				*		1	
4		40066699		INNER HOOK				*		1	
5		23058605		TENSION SPRING				*		1	
6		21432000		ADJUSTING SCREW				*		1	
7		10723500		IDLING PREVENTION SPRING				*		1	
8	R	40038732	40038731	HOOK				*		1	1.00
9		23026008		INNER HOOK PRESSER WITH HORN				*		1	
10		23058506		NEEDLE GUIDE				*		1	
11		23026404		FELT				*		1	
12		10723104		PRESSER SETSCREW				*		3	
13		22814008		SCREW				*		2	
14		40066698		HOOK ASM.	FOR PLC-1760L					1	
15		40066795		INNER HOOK ASM.				*		1	
16		40066699		INNER HOOK				*		1	
17		23058605		TENSION SPRING				*		1	
18		10723401		TENSION SPRING SETSCREW				*		1	
19		21432000		ADJUSTING SCREW				*		1	
20		10723500		IDLING PREVENTION SPRING				*		1	
21	R	40038732	40038731	HOOK				*		1	1.00
22		23026008		INNER HOOK PRESSER WITH HORN				*		1	
23		10723104		PRESSER SETSCREW				*		3	
24		23058506		NEEDLE GUIDE				*		1	
25		22814008		SCREW				*		2	
26		23026404		FELT				*		1	

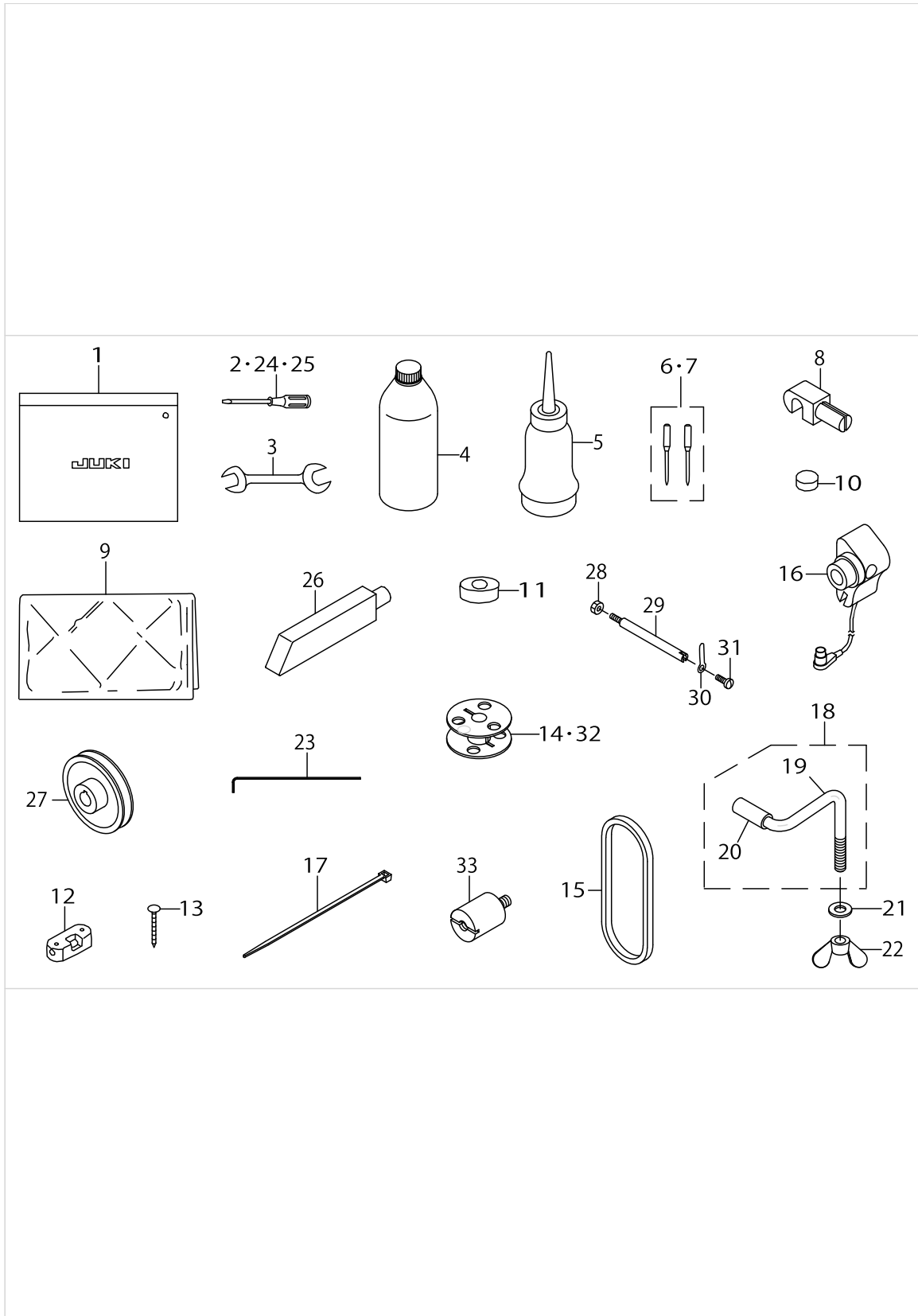
ACCESSORIES PARTS COMPONENTS



ACCESSORIES PARTS COMPONENTS

No.	Supply Code	Parts No.	Replacement	Parts name	Remarks	Choice	Step	Level	Cons	Qty	Rep. QTY
1	R	B9101552000	22932800	ACCESSORY BOX						1	1.00
2		22933006		SCREW DRIVER LARGE						1	
3		B9113012000		WRENCH (9X10)						1	
4		MDFRX2700C0		NEW DEFRIX OIL NO.2(700CC)						1	
5		J1067000000		OILER						1	
6		MC321002002		NEEDLE 134-35 #200-2	FOR PLC-1760L					1	
7	R	MC321001402	MC321001400	NEEDLE 134-35 #140-2	FOR PLC-- 1710,PLC-1760					1	1.00
8		B8213012000		BED HINGE CONNECTION						2	
9		40048536		HEAD_COVER						1	
10		B8206012000		FELT CUSHION	HEAD ONL- Y, HEAD A- ND MOTOR DELIVERY ONLY					4	
11		B8209012000		RUBBER CUSHION	HEAD ONL- Y, HEAD A- ND MOTOR DELIVERY ONLY					4	
12		10529600		WASHER	HEAD ONL- Y, HEAD A- ND MOTOR DELIVERY ONLY					2	
13		10539906		SET NAIL	HEAD ONL- Y, HEAD A- ND MOTOR DELIVERY ONLY					8	
14		10759603		ALUMINUM BOBBIN (DOUBLE-CUT)	FOR PLC-- 1760,PLC-1760L					2	
15		MTJVH00530A		V BELT 53INCH	OPTIONAL PARTS (F- OR PLC-1760L)					1	
16		40026920		SYNCHRONIZERASM.	OPTIONAL PARTS (F- OR PLC-1760L)					1	
17		EA9500B0100		CABLE BAND	OPTIONAL PARTS (F- OR PLC-1760L)					3	
18		40038827		BED CLAMP STICK ASM.						1	
19		40038828		BED CLAMP STICK					*	1	
20		BT1200801EF		TUBE					*	0.03	
21		WP0841601SC		WASHER8.4X17.4X1.6						1	
22		NM9080001SC		NUT						1	
23		10777407		WRENCH 2.5MM	FOR PLC-- 1760,PLC-1760L					1	
24		22933105		SCREW DRIVER MIDDLE						1	
25		22933204		SCREW DRIVER SMALL						1	
26		10528800		FRAME SUPPORT BAR						1	
27		MTSP00700C0		MOTOR PULLEY ASM. P.C.D 70	OPTIONAL PARTS (F- OR PLC-1760L)					1	
28		NS6150430SP		NUT 15/64-28	OPTIONAL PARTS (F- OR PLC-1760L)					1	
29		D7101245E00		SYNCHRONIZER HOLDER STUD	OPTIONAL PARTS (F- OR PLC-1760L)					1	
30		B9109246000		DETECTOR SUPPORT PLATE	OPTIONAL PARTS (F- OR PLC-1760L)					1	
31		SS7110710SP		SCREW 11/64-40 L=7	OPTIONAL PARTS (F- OR PLC-1760L)					1	

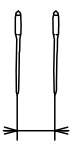
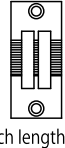

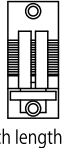
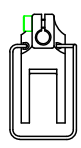
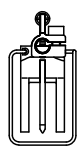
ACCESSORIES PARTS COMPONENTS



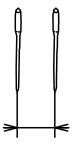
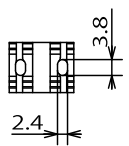
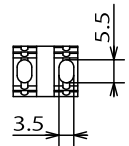
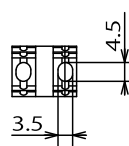
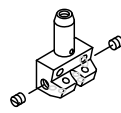
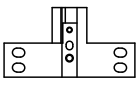
ACCESSORIES PARTS COMPONENTS

No.	Supply Code	Parts No.	Replacement	Parts name	Remarks	Choice	Step	Level	Cons	Qty	Rep. QTY
32		10759603		ALUMINUM BOBBIN (DOUBLE-CUT)	FOR PLC-1710					1	
33		40101368		PANEL STUD	OPTIONAL PARTS (F- OR PLC-1760L)					2	

TABLE OF EXCHANGING GAUGE PARTS (FOR PLC-1760,PLC-1760L)

PLC-1760	○				○		○		○	
PLC-1760L			○				○		○	
NEEDLE GAUGE SIZE 針 幅	THROAT PLATE 針 板				THROAT PLATE FOR LOWER TAPE ATTACHING 下テープ付用針板		PRESSER FOOT ASM. 押え足 (組)		PRESSER FOOT WITH GUIDE ASM. ガイド付き押え足 (組)	
	 Stitch length 縫ビッチ : 9mm		 Stitch length 縫ビッチ : 12mm		 Stitch length 縫ビッチ : 9mm					
mm	Ref.No	Part No.	Ref.No	Part No.	Ref.No	Part No.	Ref.No	Part No.	Ref.No	Part No.
6	1	400-38996	-	-	6	400-39004	10	400-38800	14	400-38810
8	2	400-38995	-	-	7	400-39001	11	400-38797	15	400-38808
10	3	400-38994	5	400-38893	8	400-38999	12	400-38795	16	400-38806
12	4	400-38993	41	400-95752	9	400-38997	13	400-38792	17	400-38802

PLC-1760	○				○		○		○	
PLC-1760L			○				○		○	
NEEDLE GAUGE SIZE 針 幅	FEED 送 り						NEEDLE CLAMP ASM. 針留 (組)		THROAT PLATE HOLDER 針板受け	
										
mm	Ref.No	Part No.	Ref.No	Part No.	Ref.No	Part No.	Ref.No	Part No.	Ref.No	Part No.
6	18	400-39009	-	-	-	-	23	400-38778	27	400-38791
8	19	400-39008	-	-	-	-	24	400-38776	28	400-38789
10	20	400-39007	22	400-38897	-	-	25	400-38774	29	400-38787
12	21	400-39006	-	-	42	400-95751	26	400-38772	30	400-38785

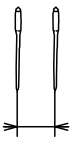
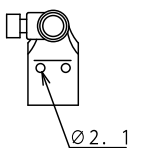
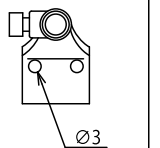
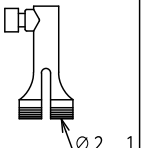
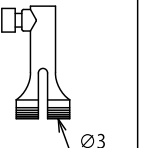
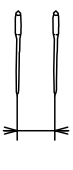
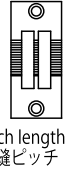
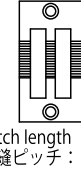
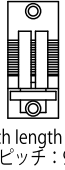
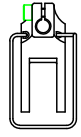
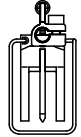
PLC-1760	○				○		○	
PLC-1760L			○				○	
NEEDLE GAUGE SIZE 針 幅	FEED FOOT ASM. 送り足 (組)				FEED FOOT FOR GUIDE ガイド用送り足			
	 Ø2.1		 Ø3		 Ø2.1		 Ø3	
mm	Ref.No	Part No.	Ref.No	Part No.	Ref.No	Part No.	Ref.No	Part No.
6	31	400-38846	-	-	36	400-38854	-	-
8	32	400-38844	-	-	37	400-38852	-	-
10	33	400-38842	35	400-38898	38	400-38850	40	400-39271
12	34	400-38840	43	400-95748	39	400-38848	44	400-95750

TABLE OF EXCHANGING GAUGE PARTS (FOR PLC-1760,PLC-1760L)

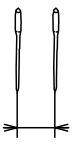
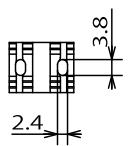
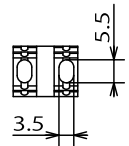
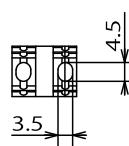
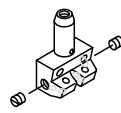
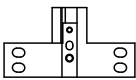
No.	Supply Code	Parts No.	Replacement	Parts name	Remarks	Choice	Step	Level	Cons	Qty	Rep. QTY
1		40038996		THROAT PLATE(6MM)						1	
2		40038995		THROAT PLATE(8MM)						1	
3		40038994		THROAT PLATE(10MM)						1	
4		40038993		THROAT PLATE(12MM)						1	
5		40038893		THROAT PLATE(10MM 60L)						1	
6		40039004		THROAT PLATE(6MM)ASM.						1	
7		40039001		THROAT PLATE(8MM)ASM.						1	
8		40038999		THROAT PLATE(10MM)ASM.						1	
9		40038997		THROAT PLATE(12MM)ASM.						1	
10		40038800		PRESSER FOOT(6MM)ASM.	FOR PLC-1760					1	
11		40038797		PRESSER FOOT(8MM)ASM.	FOR PLC-1760					1	
12		40038795		PRESSER FOOT(10MM)ASM.						1	
13		40038792		PRESSER FOOT(12MM)ASM.	FOR PLC-1760					1	
14		40038810		PRESSER FOOT WITH GUIDE(6MM)ASM.	FOR PLC-1760					1	
15		40038808		PRESSER FOOT WITH GUIDE(8MM)ASM.	FOR PLC-1760					1	
16		40038806		PRESSER FOOT WITH GUIDE(10MM)ASM.						1	
17		40038802		PRESSER FOOT WITH GUIDE(12MM)ASM.	FOR PLC-1760					1	
18		40039009		FEED(6MM)						1	
19		40039008		FEED(8MM)						1	
20		40039007		FEED(10MM)						1	
21		40039006		FEED(12MM)						1	
22		40038897		FEED(10MM 60L)						1	
23		40038778		NEEDLE CLAMP(6MM)ASM.	FOR PLC-1760					1	
24		40038776		NEEDLE CLAMP(8MM)ASM.	FOR PLC-1760					1	
25		40038774		NEEDLE CLAMP(10MM)ASM.						1	
26		40038772		NEEDLE CLAMP(12MM)ASM.	FOR PLC-1760					1	
27		40038791		THROAT PLATE HOLDER(6MM)	FOR PLC-1760					1	
28		40038789		THROAT PLATE HOLDER(8MM)	FOR PLC-1760					1	
29		40038787		THROAT PLATE HOLDER(10MM)						1	
30		40038785		THROAT PLATE HOLDER(12MM)	FOR PLC-1760					1	
31		40038846		FEED FOOT(6MM)ASM.						1	
32		40038844		FEED FOOT(8MM)ASM.						1	
33		40038842		FEED FOOT(10MM)ASM.						1	
34		40038840		FEED FOOT(12MM)ASM.						1	
35		40038898		FEED FOOT(10MM 60L)ASM.						1	
36		40038854		FEED FOOT FOR GUIDE(6MM)ASM.						1	
37		40038852		FEED FOOT FOR GUIDE(8MM)ASM.						1	
38		40038850		FEED FOOT FOR GUIDE(10MM)ASM.						1	
39		40038848		FEED FOOT FOR GUIDE(12MM)ASM.						1	
40		40039271		FEED FOOT FOR GUIDE(10MM 60L)ASM.						1	
41		40095752		THROAT_PLATE(12MM_60L)	OPTIONAL PARTS (FOR PLC-1760L)					1	
42		40095751		FEED(12MM_60L)	OPTIONAL PARTS (FOR PLC-1760L)					1	



TABLE OF EXCHANGING GAUGE PARTS (FOR PLC-1760,PLC-1760L)

PLC-1760	○				○		○		○	
PLC-1760L			○				○		○	
NEEDLE GAUGE SIZE 針 幅	THROAT PLATE 針 板				THROAT PLATE FOR LOWER TAPE ATTACHING 下テープ付用針板		PRESSER FOOT ASM. 押え足 (組)		PRESSER FOOT WITH GUIDE ASM. ガイド付き押え足 (組)	
	 Stitch length 縫ビッチ : 9mm		 Stitch length 縫ビッチ : 12mm		 Stitch length 縫ビッチ : 9mm					
mm	Ref.No	Part No.	Ref.No	Part No.	Ref.No	Part No.	Ref.No	Part No.	Ref.No	Part No.
6	1	400-38996	-	-	6	400-39004	10	400-38800	14	400-38810
8	2	400-38995	-	-	7	400-39001	11	400-38797	15	400-38808
10	3	400-38994	5	400-38893	8	400-38999	12	400-38795	16	400-38806
12	4	400-38993	41	400-95752	9	400-38997	13	400-38792	17	400-38802

PLC-1760	○				○		○		○	
PLC-1760L			○				○		○	
NEEDLE GAUGE SIZE 針 幅	FEED 送 り						NEEDLE CLAMP ASM. 針留 (組)		THROAT PLATE HOLDER 針板受け	
										
mm	Ref.No	Part No.	Ref.No	Part No.	Ref.No	Part No.	Ref.No	Part No.	Ref.No	Part No.
6	18	400-39009	-	-	-	-	23	400-38778	27	400-38791
8	19	400-39008	-	-	-	-	24	400-38776	28	400-38789
10	20	400-39007	22	400-38897	-	-	25	400-38774	29	400-38787
12	21	400-39006	-	-	42	400-95751	26	400-38772	30	400-38785

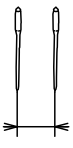
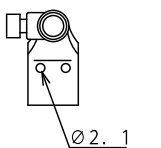
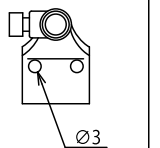
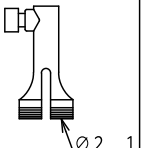
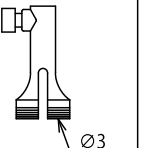
PLC-1760	○				○		○	
PLC-1760L			○				○	
NEEDLE GAUGE SIZE 針 幅	FEED FOOT ASM. 送り足 (組)				FEED FOOT FOR GUIDE ガイド用送り足			
								
mm	Ref.No	Part No.	Ref.No	Part No.	Ref.No	Part No.	Ref.No	Part No.
6	31	400-38846	-	-	36	400-38854	-	-
8	32	400-38844	-	-	37	400-38852	-	-
10	33	400-38842	35	400-38898	38	400-38850	40	400-39271
12	34	400-38840	43	400-95748	39	400-38848	44	400-95750

TABLE OF EXCHANGING GAUGE PARTS (FOR PLC-1760,PLC-1760L)

No.	Supply Code	Parts No.	Replacement	Parts name	Remarks	Choice	Step	Level	Cons	Qty	Rep. QTY
43		40095748		FEED_FOOT(12MM_60L)ASM.	OPTIONAL PARTS (FOR PLC-1760L)					1	
44		40095750		FEED_FOOT_FOR_G-UIDE(12MM_60L)ASM.	OPTIONAL PARTS (FOR PLC-1760L)					1	

LIST FOR INFORMATION OF CHANGE

As to the place changed, refer to the corresponding Rev.No.  
 When previous parts(Obsolete part)and new parts(Added parts)are not interchangeable with each other:  
 In this case,even obsoleted parts(D.)can be ordered with the obsoleted part number,so select the parts with changed dates and place your orders.

変更箇所は,該当Rev.No.版をご参照ください。  
 部品の互換性がない変更の場合は,削除された品番でも,ご注文できます。

40038825  
 No.1456-06 Rev.No.

\*A:Added parts追加部品/D:Obsolete parts削除部品/E:Erratum訂正

* No.	Rev. No.	Page 頁	Ref. No.	Parts No. 品番	* No.	Rev. No.	Page 頁	Ref. No.	Parts No. 品番
D	05	2	52	B1114-517-000	A	06	2	52	400-52262
D	05	4	36	B1309-055-000	A	06	4	36	401-13224
D	05	32	-	No.2~No.20					
D	05	32	-	No.22~No.30					
D	05	32	-	No.32~No.54					

## HOW TO MAKE USE OF THIS PARTS LIST

### 1.Explanation of codes

1)"\*"mark.....means this part is changed from the previous parts book.

As to the details of the change, refer to the "List for information of change".

2)"#01".....refer to "Note" explanation at bottom of page.

### 2.Codes on the "Qty" column

• Each numeral indicates the number of parts required.

• "0.1" and "2.5" indicate the length (in meters) of the respective parts.

3.Parentheses mean that the corresponding part is a subpart that constructs an assembly part.

4.Dotted lines on the Figures indicate assembly parts.

5.As to the parts with marks of "☆"(consumable parts) and "◎"(optional parts)on the respective parts, it is recommended to prepare spares.

### 1 ."注記"欄の記号説明

1) "\*"印.....前回のパーツブックに比較して今回変更された部品を意味します。

変更内容は、"変更情報リスト"を参照してください。

2) "#01".....ページ下の"注記"の説明を参照してください。

2.数量欄の数字は、個数を表し、0.1、2.5等の数値は、長さ（単位メートル）を表します。

3.数量欄の（ ）は、組部品を構成している子部品であることを意味します。

4.イラストページの-----枠は、組構成であることを意味します。

5.リストページの"☆"（消耗部品）、"◎"（オプション部品）の印がついた部品は、予備を準備しておくことをお奨めします。

# NUMERICAL INDEX OF PARTS

PART NO	PAGE	REF NO.	PART NO	PAGE	REF NO.	PART NO	PAGE	REF NO.
10101400	2	18	10755254	56	14	21333703	8	60
10111904	30	16~20	10759603	52	15·17·32	21334008	8	63
10111904	32	16~20	10759603	74	14·32	21334701	30	12
10112001	30	16~20	10759603	76	14·32	21334701	32	12
10112001	32	16~20	10774305	18	89	21336300	22	56
10112100	30	16~20	10777407	74	23	21336409	26	56
10112100	32	16~20	11045101	34	15	21336508	6	20
10112209	30	16~20	11045101	36	15	21336557	6	19
10112209	32	16~20	11072402	34	16	21336607	22	49
10124204	34	13	11072402	36	34	21336607	26	49
10124204	36	35	11072402	42	30	21336656	22	48
10124501	36	31	11272614	24	16	21336656	26	48
10201200	2	37	11315108	34	27	21336706	22	53
10320109	34	3	11956802	34	12	21336805	22	41
10320208	34	6	11956802	36	17	21337001	24	1
10321107	34	24·25·26	13138201	34	8	21337100	24	2
10321107	36	1~3	13138201	36	11	21337209	22	38
10502300	42	21	13516604	28	12~14	21337308	20	33
10509701	12	22	13516703	28	12~14	21337308	24	33
10509701	16	22	13519202	28	12~14	21337605	20	35
10528800	74	26	13789201	24	15	21337803	18	85
10529600	74	12	14512503	42	17	21337803	22	64
10539906	74	13	17912106	2	22	21337803	26	74
10618304	42	8	21006002	18	51	21337902	20	31
10703205	36	38	21006002	68	7	21337902	24	31
10704807	42	19	21006408	18	59	21338207	22	54
10713402	48	15	21006408	68	3	21338207	26	54
10713501	18	76	21006507	18	57	21338603	10	18
10713808	18	54	21006507	68	1	21338801	10	20
10714202	18	72	21048707	16	12	21338900	10	22
10714608	18	83	21059100	36	40	21339304	10	25
10715100	18	90	21331202	4	54	21339502	6	15
10715308	18	68	21331301	2	4	21339601	18	87
10715704	18	64	21331608	2	16	21339700	18	74
10716504	18	77	21331756	2	44	21339700	44	35
10718203	18	71	21331806	2	12	21339809	18	80
10723104	52	28	21332002	2	13	21340005	16	14
10723104	72	23	21332309	2	42	21340104	12	31
10723401	72	18	21332507	6	12	21340302	16	38
10723500	52	30	21332606	8	67	21340401	12	1
10723500	72	20	21332705	6	1	21340401	16	1
10741106	34	14	21333000	6	2	21340500	12	2
10741106	36	33	21333109	6	17	21340500	16	2
10748101	56	11	21333307	6	5	21340708	44	11
10755205	56	15	21333406	8	68	21340906	12	42

# NUMERICAL INDEX OF PARTS

PART NO	PAGE	REF NO.	PART NO	PAGE	REF NO.	PART NO	PAGE	REF NO.
21341508	18	70	21353008	8	56	21407606	44	23
21341607	18	67	21355706	42	24	21407705	44	24
21342506	40	4	21355755	42	23	21408505	2	25·26
21342555	40	3	21356001	42	6	21408554	2	20·21
21342605	40	5	21356308	58	11	21427307	30	2
21342704	40	9	21356407	58	12	21427307	32	2
21342803	40	13	21356506	58	3	21430400	22	42
21342902	40	17	21356704	58	9	21430400	26	42
21343009	40	11	21356803	58	7	21432000	52	23
21343108	40	32	21357959	42	3	21432000	72	19
21343157	40	30	21357967	42	1	21432109	52	24
21343207	40	1	21358205	42	9	21437108	2	8
21343355	40	21	21364104	20	29	21437207	66	8
21343702	40	6	21364104	24	29	21437306	2	9
21343801	40	7	21378302	12	5	21437306	66	32
21345707	44	2	21378302	16	5	21437900	12	36
21345905	44	4	21378302	20	25	21438007	10	14
21345905	46	14	21378302	26	75	21438106	66	21
21346002	44	18	21378708	42	29	21438205	66	26
21346101	44	27	21379003	56	6	21438403	66	4
21346200	44	28	21387402	22	60	21438502	66	24
21346309	44	6	21387402	26	60	21438601	66	22
21346358	44	5	21387501	6	30·31	21438700	66	27
21346408	44	8	21387600	6	34	21441050	34	2
21346507	44	7	21387709	6	33	21441100	34	17
21347000	44	14	21387808	6	38	21442207	52	5
21347109	12	13	21387907	8	66	21444500	48	20
21347109	16	34	21388004	20	26	21444559	48	18
21347208	44	16	21388400	10	16	21451406	10	7
21348206	34	24·25·26	21388509	58	6	21451505	14	55
21348206	36	1~3	21402300	6	27	21451505	16	39
21348503	62	7	21405204	10	2	22537658	42	2
21348503	64	7	21406103	14	48	22538151	42	4
21348602	62	5	21406103	18	48	22538706	42	32
21348602	64	5	21406509	12	28	22602601	2	40
21348701	62	9	21406509	16	28	22609408	22	39
21348701	64	9	21406608	14	54	22609408	24	39
21349105	62	15	21406608	18	49	22617609	36	23
21349105	64	15	21407200	20	11	22617906	34	9
21351002	56	19	21407200	26	71	22617906	36	13
21351101	56	18	21407309	20	15	22618201	34	7
21351150	56	17	21407309	24	27	22618201	36	10
21351200	56	20	21407408	22	62	22618904	36	25
21351457	56	1	21407408	26	70	22619100	2	36
21352901	24	4	21407507	44	22	22620504	44	38

# NUMERICAL INDEX OF PARTS

PART NO	PAGE	REF NO.	PART NO	PAGE	REF NO.	PART NO	PAGE	REF NO.
22656003	62	17	23004906	32	15	40017279	36	36
22656102	62	31	23006406	34	24·25·26	40017280	36	41
22814008	52	29	23006406	36	1~3	40017282	36	9
22814008	72	25	23007503	48	8	40017283	36	7
22814909	10	6	23007503	50	4	40017284	36	32
22863203	40	24	23007602	48	9	40017286	48	13
22863252	40	23	23007602	50	5	40017287	48	14
22901805	2	34	23009509	28	10	40017309	56	24
22904106	12	7	23024409	30	24	40017316	4	47
22904106	16	7	23024409	32	24·28	40017317	28	30
22904106	20	20	23026008	52	25	40018339	14	51
22904106	24	22	23026008	72	22	40018339	16	16
22904155	12	6	23026404	52	27	40018340	14	50
22904155	16	6	23026404	72	26	40018340	16	15
22904155	20	19	23036304	28	22	40018341	12	23
22904155	24	21	23053606	8	65	40018341	16	23
22907109	14	49	23056005	28	7	40019114	4	55
22907109	18	52	23056104	24	38	40019905	6	29
22907604	12	43	23056203	26	41	40019926	22	36
22907604	16	43	23058506	52	26	40019926	24	36
22911804	22	44	23058506	72	24	40023289	24	14
22911804	26	44	23058605	52	22	40023289	62	20
22912000	22	46	23058605	72	17	40025036	66	13
22912000	26	46	23062102	10	30	40025299	56	5
22912109	22	47	23200801	28	3	40025300	56	8
22912109	26	47	23200900	28	5	40026920	74	16
22932404	40	28	23636202	42	5	40027746	10	26
22932453	40	27	26023200	24	10	40029634	30	16~20
22933006	74	2·24·25	26225201	12	29	40029634	32	16~20
22933105	74	2·24·25	26225201	16	29	40033026	12	12
22933204	74	2·24·25	26226209	62	19	40033026	16	36
22934202	40	35	26910059	54	2	40033027	12	11
22934301	40	36	26910158	54	1	40033027	16	31
22934400	40	34	40009103	22	50	40033029	12	19
22934509	40	33	40009103	26	50	40033029	16	19
22934707	40	29	40011400	26	53	40033033	12	24
22952501	24	18	40016148	8	49	40033033	16	24
22952501	62	21	40016798	2	1	40038688	4	62
23001001	6	3	40017263	28	27	40038691	4	67
23002009	10	1	40017264	4	64	40038692	6	23
23004609	30	13	40017265	4	65	40038694	6	25
23004609	32	13·29	40017269	4	63	40038695	30	1
23004708	30	4	40017274	40	19	40038695	32	1
23004708	32	4	40017276	14	46	40038697	30	8
23004906	30	15	40017276	18	46	40038697	32	27

# NUMERICAL INDEX OF PARTS

PART NO	PAGE	REF NO.	PART NO	PAGE	REF NO.	PART NO	PAGE	REF NO.
40038700	8	51	40038828	74	19	40039001	78	7
40038702	8	52	40038829	32	8·14	40039004	78	6
40038703	6	30·31	40038830	8	58	40039006	78	21
40038704	6	7	40038840	78	34	40039007	50	16·23
40038705	12	45	40038842	50	17·18	40039007	78	20
40038705	16	45	40038842	78	33	40039008	78	19
40038707	28	29	40038843	50	19·20	40039009	78	18
40038709	28	15	40038844	78	32	40039010	52	1·2
40038711	20	14	40038846	78	31	40039015	28	9
40038711	26	72	40038848	78	39	40039257	28	8
40038712	20	8	40038850	78	38	40039263	36	5·6
40038712	26	68	40038852	78	37	40039264	36	5·6
40038722	60	13	40038854	78	36	40039265	12	39
40038723	60	16	40038859	28	1	40039265	16	40
40038728	46	8	40038867	30	10	40039266	12	40
40038729	46	9	40038867	32	10	40039266	16	41
40038730	46	10	40038868	52	20	40039269	10	28
40038732	52	19	40038869	52	21	40039270	10	27
40038732	72	21	40038870	52	18	40039271	78	40
40038752	36	43	40038893	50	1·22	40039307	20	22
40038772	78	26	40038893	78	5	40039307	24	24
40038774	50	9	40038897	50	16·23	40039326	12	4
40038774	78	25	40038897	78	22	40039326	16	4
40038775	50	10	40038898	50	17·18	40039454	24	8
40038776	78	24	40038898	78	35	40039822	30	14
40038778	78	23	40038899	50	19·20	40039822	32	8·14
40038785	78	30	40038901	24	35	40039831	4	59
40038787	50	3	40038902	32	13·29	40039836	10	34
40038787	78	29	40038904	60	2	40039837	34	1
40038789	78	28	40038967	28	16	40039838	2	20·21
40038791	78	27	40038968	28	2	40039839	2	25·26
40038792	78	13	40038970	48	1	40039887	52	4
40038794	50	14	40038971	48	21·25	40040294	48	21·25
40038795	50	12	40038972	48	2	40040295	48	22
40038795	78	12	40038974	48	3	40040296	48	23
40038796	50	13	40038976	48	6	40040415	62	1
40038797	78	11	40038977	48	7	40040416	66	1
40038800	78	10	40038981	28	23	40040418	62	28
40038802	78	17	40038993	78	4	40040418	64	20
40038806	78	16	40038994	50	1·22	40040418	66	12
40038808	78	15	40038994	78	3	40040469	64	1
40038810	78	14	40038995	78	2	40040558	38	45
40038823	56	23	40038996	78	1	40040559	36	44
40038824	56	25	40038997	78	9	40040660	62	2
40038827	74	18	40038999	78	8	40040660	64	2



NUMERICAL INDEX OF PARTS

PART NO	PAGE	REF NO.	PART NO	PAGE	REF NO.	PART NO	PAGE	REF NO.
40040663	66	2	B1132521000	2	23	B3128051000	36	12
40040671	62	30	B1148555000	42	11	B3128527000	36	22
40040671	64	22	B1203512000	6	26	B3129053000	36	39
40040672	66	29	B1210051000	6	10	B3129526000	34	10
40042647	44	3	B1214019000	6	32	B3129526000	36	14
40042648	44	1	B1308055000	6	35	B31370510A0	34	5
40043357	62	14	B1310055000	6	37	B31375270A0	36	19
40043357	64	14	B1312563000A	8	45	B3138512000	4	58
40048536	74	9	B1313055000	8	48	B3138527000	36	26
40052262	4	52	B1314055000	6	39	B3139527000	36	21
40066698	72	14	B1401246000	10	33	B3141527000	36	28
40066699	72	16	B1410771000	10	24	B3142527000	36	20
40066795	72	15	B1411057000	10	9	B3143527000	36	18
40068166	32	24-28	B14110570A0	10	8	B3205210000	42	10
40072708	18	62	B1412051000	10	11	B3416552000	18	78
40072708	68	5	B1412051000	44	19	B3428521000	40	25
40072709	18	60	B1414232000	10	23	B3508512000	44	31
40072709	68	4	B1414555000	12	21	B8112220000	56	7
40075553	18	56	B1414555000	16	21	B8206012000	74	10
40078969	56	29	B1437051000	10	4	B8209012000	74	11
40080024	56	28	B1462053000	14	47	B8213012000	74	8
40081969	20	13	B1462053000	18	47	B9101552000	74	1
40081970	20	10	B14670530A0	12	25	B9109246000	74	30
40094561	4	70	B14670530A0	16	25	B9113012000	74	3
40095748	80	43	B1468053000	12	26	BT0500300EA	44	21
40095750	80	44	B1468053000	16	26	BT0600401EB	60	15
40095751	78	42	B1502246000	12	44	BT1200801EF	74	20
40095752	78	41	B1502246000	16	44	CM300200001	2	33
40096354	54	3	B152652700G	18	65	CM300200001	58	13
40101368	76	33	B152989000CA	42	7	CM301300001	2	29
40101742	62	27	B1604012000A	28	19	CQ202000000	6	73
40101742	64	19	B1639051000	8	47	CQ202000000	8	73
40102062	62	23	B1816512000	30	5	CQ202000000	10	32
40102062	64	23	B1816512000	32	5	CQ202000000	22	51
40103003	60	1	B1905520000	8	71	CQ202000000	26	51
40105811	60	11	B19055200A0	8	70	CQ202000000	28	21
40107618	60	17	B1906051000	6	4	CQ202000000	44	39
40107949	18	82	B1907057000	8	72	CQ252000000	12	38
40108541	22	57	B3025141H00A	20	17	CQ252000000	18	53
40108541	26	57	B3025141H00A	26	77	CQ252000000	44	20
40108542	18	63	B3120125000	34	11	CQ3000000F0	12	16
40108674	2	6	B3120125000	36	16	CQ3000000F0	16	33
40108675	2	38	B3125012000	36	30	CQ303000000	6	8
40113092	42	28	B3125527000	36	29	CQ505000000	6	11
40113224	6	36	B3128051000	34	4	CS0950810SH	6	22

# NUMERICAL INDEX OF PARTS

PART NO	PAGE	REF NO.	PART NO	PAGE	REF NO.	PART NO	PAGE	REF NO.
CS095081ASH	30	3	MAH152010A0	70	1	PJ304065101	58	10
CS095081ASH	32	3	MAT80230T00	66	20	PJ304065101	66	6
CS1201010SH	20	2	MAT80231T00	66	19	PS0300242K0	18	61
CS1201010SH	26	62	MC321001300	10	36	PS0300242K0	68	6
CS1201011SH	20	3	MC321001400	10	13·37	PS0500202KP	44	30
CS1201011SH	26	63	MC321001402	74	6·7	PS0600502KP	34	22
D1455055B00	12	33	MC321002000	10	13·37	PS0600502KP	36	4
D1456055B00	12	32	MC321002002	74	6·7	PX015101000	62	12
D2112555B00	62	33	MDFRX2700C0	74	4	PX015101000	64	12
D2112555B00	64	25	MTJVH00530A	74	15	PX015101000	66	11
D2461481C00	24	9	MTJVH00550A	56	30	RC0560711KP	42	12
D2611555B00A	46	12	MTSP00700C0	74	27	RC0740811KP	28	11
D3162555B00	34	21	NM6030001SC	56	10	RE0400000K0	24	11
D3162555B00	42	25	NM6050001SD	40	16	RE0500000K0	8	46
D3168555H0B	42	27	NM6060003SC	62	6	RE0500000K0	18	79
D7101245E00	74	29	NM6060003SC	64	6	RE0500000K0	42	13
D8232241E00	56	21	NM6080001SE	58	4	RE0500711KP	28	20
EA9500B0000	12	14	NM6080721SE	66	5	RE0800000K0	16	37
EA9500B0000	16	35	NM9080001SC	74	22	RE0800000K0	40	10
EA9500B0000	44	9	NS6110310SP	34	20	RE0900000K0	20	1
EA9500B0100	10	31	NS6110310SP	36	37	RE0900000K0	26	61
EA9500B0100	28	17	NS6110310SP	42	26	RO092270200	22	45
EA9500B0100	44	40	NS6110530SP	12	35	RO092270200	26	45
EA9500B0100	74	17	NS6110530SP	18	58	RO092270200	42	14
GAK29009000	60	18	NS6110530SP	68	2	SB120000200	8	54
GAK29010000	60	3	NS6150310SP	22	59	SD0380551SL	2	24
GAKA14040A0	66	18	NS6150310SP	26	59	SD0470281SP	34	19
GAKA1503000	60	6	NS6150310SP	28	18	SD0470281SP	36	8
HK034610020	60	4	NS6150430SP	14	52	SD0600403TP	66	7
HK034610180	62	29	NS6150430SP	18	55	SD0600454TP	66	25
HK034610180	64	21	NS6150430SP	20	6	SD0640322TP	6	42
HK03464000A	60	5	NS6150430SP	26	66	SD0640851SP	38	46
HK03464000A	62	35	NS6150430SP	74	28	SD0700451TP	40	20
HK03464000A	64	27	NS6620310SP	4	53	SD0720331SP	58	5
HK03464000A	66	31	NS6680320SP	20	24	SD0800352SP	62	10
HX00123000A	62	25	NS6680320SP	24	26	SD0800352SP	64	10
HX00123000A	64	17	PA320150200	62	16	SD0800402TP	20	34
HX002950000	62	13	PA320150200	64	16	SD0800402TP	24	65
HX002950000	64	13	PA320200100	66	10	SD0800402TP	26	65
HX00295000A	58	15	PA400150100	58	1	SD0900701TP	20	23
HX00295000A	60	9	PF0552170A0	60	14	SD0900701TP	24	25
HX00295000B	58	16	PH0300062C0	30	26	SD1000801SH	22	55
HX00295000B	60	10	PH0300062C0	32	26	SD1000801SH	26	55
HX00295000C	66	9	PJ301065104	62	11	SK3241601SC	56	13
J1067000000	74	5	PJ301065104	64	11	SK3385001SE	60	12

# NUMERICAL INDEX OF PARTS

PART NO	PAGE	REF NO.	PART NO	PAGE	REF NO.	PART NO	PAGE	REF NO.
SK3482500SC	56	16	SS2090810SP	50	8	SS6121210SP	24	20
SK3482501SE	60	20	SS3090610SP	44	17	SS6121860SP	22	43
SK3514000SC	66	30	SS4080610SP	34	18	SS6121860SP	26	43
SM1050801SR	18	73	SS4080620TP	4	68	SS6151040SP	58	14
SM3031401SE	56	9	SS4110615SP	44	34	SS6151220SP	66	14
SM4061001SB	4	60	SS4110815SP	2	43	SS6151440SP	56	2
SM4061001SB	60	19	SS4110815SP	46	13	SS6151780SP	12	27
SM6030602TP	10	12	SS4110815SP	62	26	SS6151780SP	16	27
SM6040552TP	48	24	SS4110815SP	64	18	SS6151920SP	12	30
SM6040552TP	50	21	SS4110815SP	66	28	SS6151920SP	16	30
SM6040800SP	42	31	SS4111215SP	2	2	SS6152440SP	10	29
SM6040802TP	30	23	SS4120615SP	62	18	SS6153012TP	24	7
SM6040802TP	32	23	SS4150915SP	2	7	SS6153040SP	56	22
SM6040802TP	48	16	SS5090610SP	2	3	SS6661110SP	6	24
SM6040802TP	50	15	SS5110740TP	56	4	SS7090510SP	40	26
SM6044002TP	66	3	SS5110810SP	48	10	SS7090520SP	36	27
SM6051002TP	58	8	SS5110810SP	50	6	SS7090520TP	2	27
SM6051202TP	18	69	SS6090520SP	42	16	SS7090530SP	48	12
SM6051602TP	40	14	SS6090612TP	28	4	SS7090710SP	28	31
SM6052002TP	18	50	SS6090620SP	4	66	SS7090910SP	10	10
SM6061202TP	40	2	SS6090620SP	48	11	SS7090910TP	20	32
SM6061602TP	28	25	SS6090620SP	50	7	SS7090910TP	24	32
SM6061602TP	30	21	SS6090620TP	42	22	SS7091410SP	42	15
SM6061602TP	32	21	SS6090630SP	28	28	SS7110510SP	12	20
SM6061602TP	62	3	SS6090630TP	28	24	SS7110510SP	16	20
SM6061602TP	64	3	SS6090910SP	24	12	SS7110510SP	44	12
SM6061802TP	22	40	SS6091022TP	10	19	SS7110710SL	66	15
SM6061802TP	24	40	SS6110480SP	4	50	SS7110710SP	8	57
SM6062502TP	12	37	SS6110480SP	44	10	SS7110710SP	20	7
SM6062502TP	40	22	SS6110480SP	46	11	SS7110710SP	24	67
SM6082002TP	58	2	SS6110480SP	48	17	SS7110710SP	26	67
SM8050502TP	28	6	SS6110480SP	50	2	SS7110710SP	44	32
SM8050602TP	18	88	SS6110480SP	56	31	SS7110710SP	74	31
SM8050602TP	42	20	SS6110520TP	22	63	SS7110830SP	10	17
SM8050612TP	22	52	SS6110520TP	26	73	SS7110830SP	18	81
SM8050612TP	26	52	SS6110610TP	66	23	SS7110830SP	34	28
SM8052502TP	40	15	SS6110630TP	18	66	SS7110840SP	56	3
SM8060602TP	6	28	SS6110810TP	42	18	SS7110840SP	62	24
SM8061212TP	8	59	SS6111010SP	44	25	SS7110840SP	64	24
SM8080802TP	10	21	SS6111140SP	62	34	SS7110910TP	10	15
SM8080812TP	6	14	SS6111140SP	64	26	SS7110910TP	12	41
SM9061203SE	40	31	SS6111610SP	22	37	SS7110910TP	16	42
SS1092810SP	52	31	SS6111610SP	24	37	SS7110910TP	20	9
SS2090710TP	2	57	SS6120930TP	20	27	SS7110910TP	26	69
SS2090710TP	4	57	SS6121210SP	20	18	SS7110910TP	34	23

## NUMERICAL INDEX OF PARTS

PART NO	PAGE	REF NO.	PART NO	PAGE	REF NO.
SS7110910TP	36	42	SS8660610TP	16	8
SS7111120TP	18	75	SS8660610TP	20	21
SS7111120TP	44	36	SS8660610TP	24	64
SS7111410SP	66	17	SS8660610TP	26	64
SS7111410TP	20	30	SS8660612TP	6	62
SS7111410TP	24	30	SS8660612TP	8	62
SS7111410TP	34	29	SS8660612TP	12	3
SS7111810SP	62	22	SS8660612TP	16	3
SS7112420SP	24	19	SS8660810TP	6	21
SS7120710SP	24	13	SS8660810TP	30	9
SS7120760SP	8	55	SS8660810TP	32	9
SS7120760SP	44	29	SS8661030SP	8	53
SS7120760SP	62	32	TA0550604R0	2	32
SS7150740SP	14	56	TA0620504R0	2	10
SS7150740SP	16	11	TA0750704R0	2	28
SS7150910TP	2	17	TA0750704R0	8	44
SS7151210SP	62	8	TA0750704R0	12	10
SS7151210SP	64	8	TA0750704R0	16	10
SS7151610SP	70	4	TA1050504R0	2	31
SS8080310TP	50	11	TA1100604R0	4	69
SS8080410TP	10	35	TA1250504R0	2	41
SS8110520TP	14	53	TA1450404R0	4	56
SS8110520TP	16	13	TA2100904R0	4	51
SS8111010TP	6	43	WP0320501SC	56	12
SS8150710SP	18	86	WP0450801SD	44	37
SS8150710TP	8	61	WP0480856SP	66	16
SS8150710TP	12	9	WP0482086SD	12	34
SS8150710TP	16	9	WP0501046SC	12	18
SS8150710TP	22	61	WP0501046SC	16	18
SS8150710TP	26	78	WP0502616SD	24	17
SS8150710TP	30	11	WP0612056SD	24	5
SS8150710TP	32	11	WP0612076SP	28	26
SS8150822TP	6	64	WP0612076SP	30	22
SS8150822TP	8	64	WP0612076SP	32	22
SS8150822TP	20	28	WP0621016SD	70	2
SS8150822TP	24	28	WP0641601SD	62	4
SS8151150TP	10	5	WP0641601SD	64	4
SS8151150TP	20	16	WP0650876SD	22	58
SS8151150TP	26	76	WP0650876SD	26	58
SS8151150TP	30	7	WP0841601SC	74	21
SS8151150TP	32	7	WS0610002KN	70	3
SS8151550SP	8	69	WS0610002KP	24	6
SS8660530TP	30	25	WZ0320290UZ	2	61
SS8660530TP	32	25	WZ0320290UZ	4	61
SS8660610TP	12	8			