

MODEL : MF-7800-H21

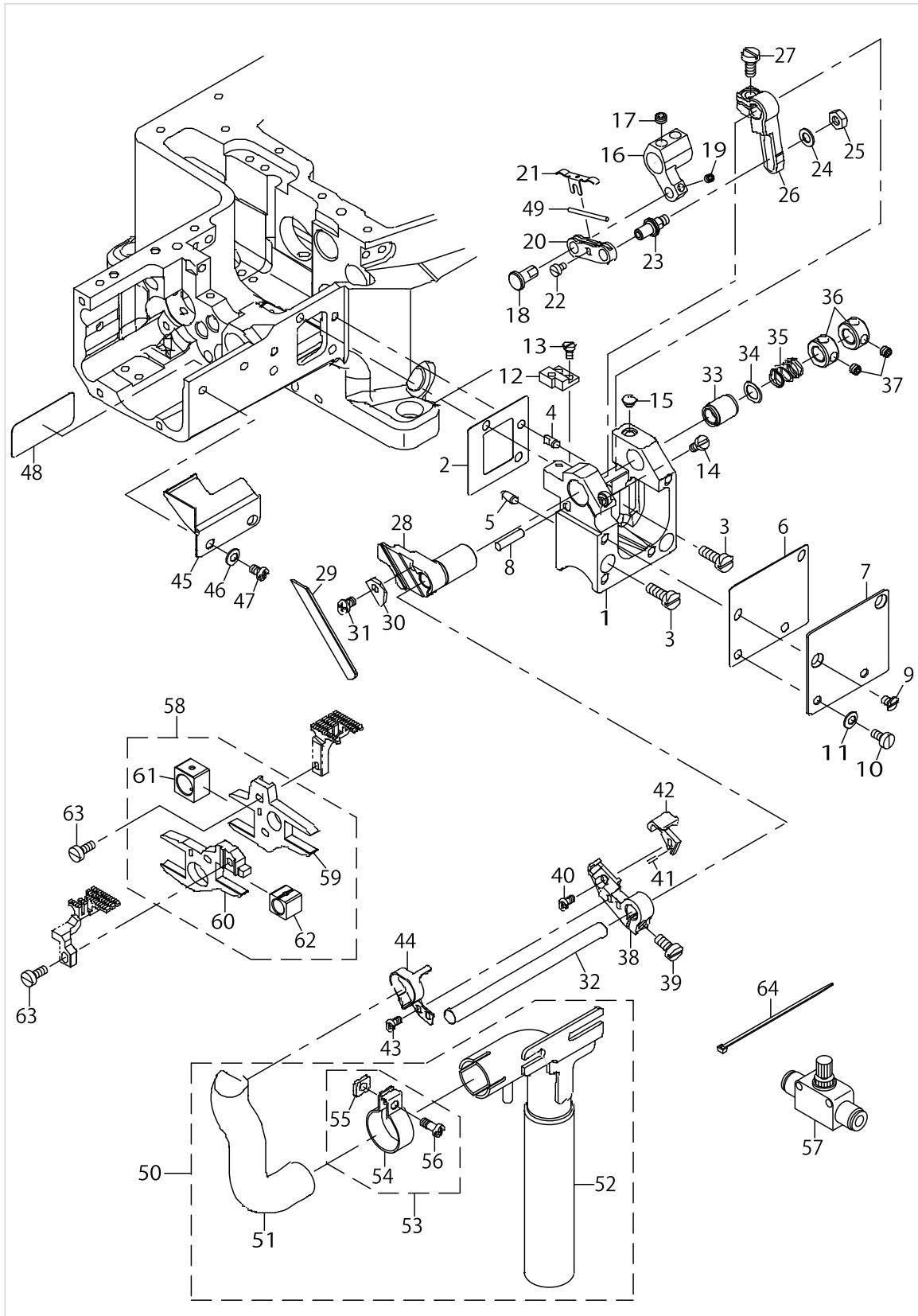
List No : 1460-00

PARTS LIST

Published:05/12/2017

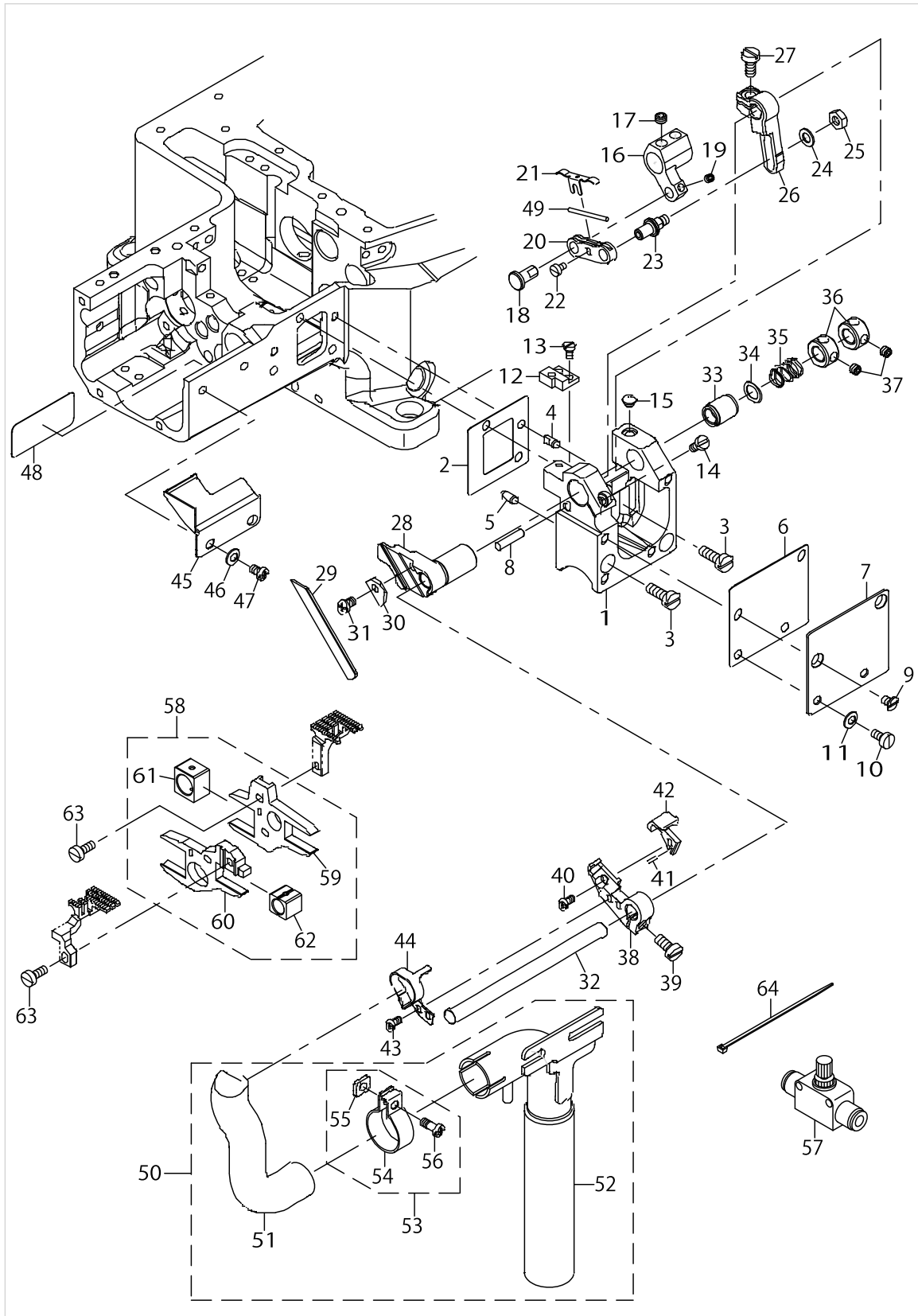
CONTENTS

MF-7800-H21 (1).....	1
MF-7800-H21 (2).....	5
MF-7800-H21 (3).....	7
HOW TO MAKE USE OF THIS PARTS LIST	11



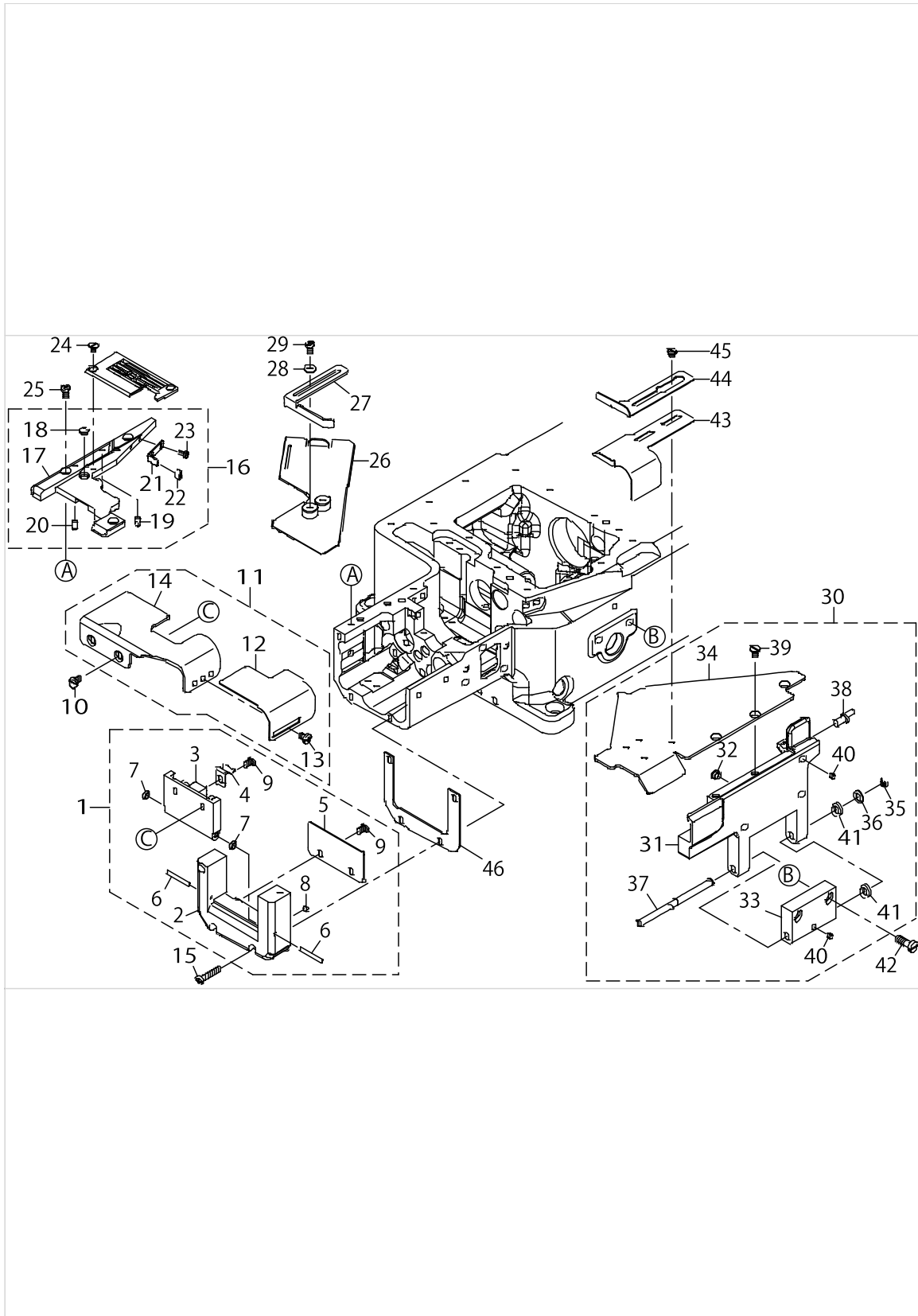
MF-7800-H21 (1)

No.	Supply Code	Parts No.	Replacement	Parts name	Remarks	Choice	Step	Level	Cons	Qty	Rep. QTY
1		40040210		SUPPORT_BLOCK						1	
2		40042252		SUPPORT_BLOCK_GASKET						1	
3		SM6051400SP		SCREW						3	
4		13301908		DOWEL PIN						1	
5		13302500		DOWEL PIN 2						1	
6		40040249		S_B_COVER_GASKET						1	
7		40040248		SUPPORT_BLOCK_COVER						1	
8		PH0400185S0		PARALLEL PIN TYPE 4X18						1	
9		SM1040650TP		SCREW M4 L=6						2	
10		SM6040800SP		SCREW						2	
11		WP0430801SC		WASHER 4.3X9X0.8						2	
12		40040211		TP_ADJUST_PLATE						1	
13		SM6030600SP		SCREW M3X0.5 L=6						2	
14		SM6040800SP		SCREW						1	
15		13302302		RUBBER BUMPER						1	
16		13461306		DRIVE_LEVER						1	
17		SM8060412TP		SCREW M6 L=4						2	
18		13461504		LINK_PIN						1	
19		SM8040412TP		SET SCREW M4 L=4						1	
20		40039897		LINK						1	
21		40039914		OIL_WICK_PLATE						1	
22		SM6030500SN		SCREW M3 L=5						1	
23		13461207		ADJUST_PIN						1	
24		WP0550800SP		WASHER 5.5X10X0.8						1	
25		NM6050001SP		NUT M5						1	
26		40039902		ADJUST_LEVER						1	
27		SM6051000SP		SCREW M5 L=10						1	
28		40039900		LOWER_KNIFE HOLDER_ASSY						1	
29		40042378		LOWER_KNIFE						1	
30		40042319		LOWER_KNIFE_PRESSER_PLATE						1	
31		SM4040655SP		SCREW M4 L=6						1	
32		40039901		SHAFT						1	
33		40040792		BUSHING_RIGHT						1	
34		WP0820516SP		WASHER 11.6X8.2X0.6						1	
35		40040306		UPPER_KNIFE_SPRING						1	
36		CS0800881TP		THRUST COLLAR D=8 W=8						2	
37		SM8050412TP		SCREW M5 L=4						2	
38		40039910		UPPER_KNIFE HOLDER						1	
39		SM6051000SP		SCREW M5 L=10						1	
40		SM4030655SP		SCREW M3 L=6						1	
41		PH0150065C0		PARALLEL PIN TYPE 1.5X6						1	
42		40039364		UPPER_KNIFE						1	
43		SM4030655SP		SCREW M3 L=6						2	
44		40040424		FABRIC_TRIMMER_GUIDE						1	
45		40039926		FEED_COVER						1	
46		WP0430801SC		WASHER 4.3X9X0.8						2	



MF-7800-H21 (1)

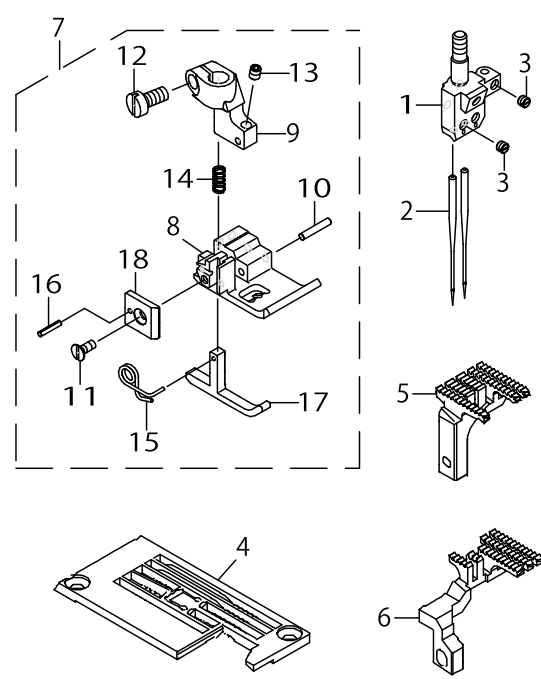
No.	Supply Code	Parts No.	Replacement	Parts name	Remarks	Choice	Step	Level	Cons	Qty	Rep. QTY
47		SM4040655SP		SCREW M4 L=6						2	
48		40040482		CYLINDERBED_COVER						1	
49		CQ303000000		OIL WICK						.2	
50		40048534		SUCTION_PIPE SET						1	
51		40042374		SUCTION_PIPE_1				*		1	
52		40042375		SUCTION_PIPE_2_ASSY				*		1	
53		40043839		SUCTION_PIPE_JOINT_ASSY				*		1	
54		40043800		SUCTION_PIPE_JOINT				*		1	
55		40043815		SUCTION_PIPE_NUT				*		1	
56		SM4041055SP		SCREW M4 L=10				*		1	
57		PC012601000		SPEED CONTROLLER						1	
58		40040309		FEED_BAR_ASSY						1	
59		13413901		MAIN FEED BAR				*		1	
60		40039915		DIFF_FEED_BAR				*		1	
61		13413703		SLIDE BLOCK 1				*		1	
62		13413802		SLIDE BLOCK 2				*		1	
63		SM6041000SP		SCREW M4 L=10						2	
64		EA9500B0100		CABLE BAND						1	



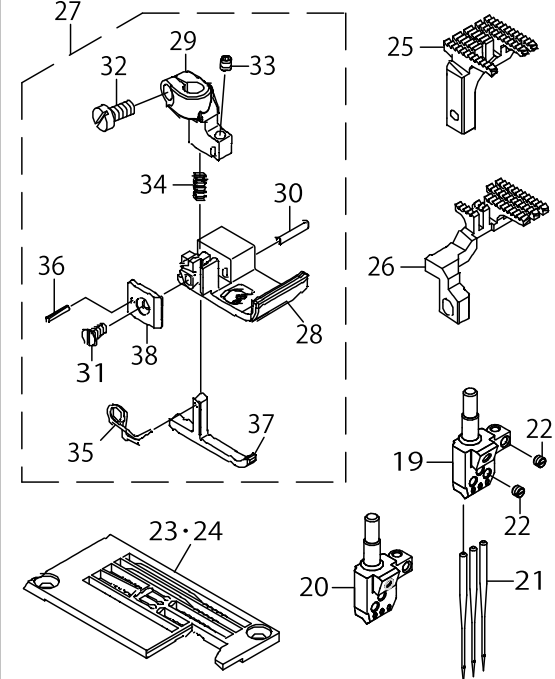
MF-7800-H21 (2)

No.	Supply Code	Parts No.	Replacement	Parts name	Remarks	Choice	Step	Level	Cons	Qty	Rep. QTY
1		40040258		SIDE_COVER_ASSY_H21						1	
2		40040401		CYLINDER_COVER				*		1	
3		40040257		SIDE_COVER_H21				*		1	
4		13401906		LATCH_SPRING_2				*		1	
5		13401807		CYLINDER_COVER_PLATE				*		1	
6		PH0300252C0		PARALLEL_PIN_3X25				*		2	
7		RO037180100		RUBBER_RING				*		2	
8		SM8040360TP		SCREW_M4_L=3				*		2	
9		SM4040655SP		SCREW_M4_L=6				*		3	
10		SM6040650TP		SCREW_M4_L=6						2	
11		40048589		SIDE_COVER_ASSY						1	
12		40040287		SIDE_COVER				*		1	
13		SM5040655SN		SCREW				*		2	
14		40040259		SIDE_COVER_H21				*		1	
15		SM4042055SP		SCREW_M4_L=20						3	
16		40040284		ASSY_TP_SUPPORT_H21						1	
17		40040283		THROAT_PLATE_SUPPORT_H21				*		1	
18		13302302		RUBBER BUMPER				*		1	
19		13301908		DOWEL_PIN				*		1	
20		13302500		DOWEL_PIN_2				*		1	
21		13403407		SLIDE_COVER_SUPPORT				*		1	
22		23630007		TUBE				*		0.05	
23		SM4030655SP		SCREW_M3_L=6				*		2	
24		13302203		SCREW						2	
25		SM4040855SP		SCREW						3	
26		13463351		SLIDE_COVER_ASSY_H20						1	
27		40040255		HEM_GUIDE						1	
28		WP0430801SC		WASHER_4.3X9X0.8						2	
29		SM4040855SP		SCREW						2	
30		40040247		SWING_DOWN_COVER_ASSY_H21						1	
31		13462304		SWING_DOWN_COVER_H20				*		1	
32		13302302		RUBBER BUMPER				*		1	
33		13401203		HINGE				*		1	
34	D R	40040246	40040247	CLOTH_PLATE_FRONT_H21				*		1	1.00
35		RE0300000K0		E-RING_3				*		1	
36		WP0550800SP		WASHER_5.5X10X0.8				*		1	
37		13403506		PIN_FOR_S_D_COVER				*		1	
38		13402706		PIN FOR COVER				*		1	
39		SM1040800SP		SCREW_M4_L=8				*		3	
40		SM8040360TP		SCREW_M4_L=3				*		2	
41		13302708		RUBBER_WASHER				*		2	
42		SM6051400SP		SCREW						2	
43		40040262		HEM_GUIDE_LEFT						1	
44		40040254		HEM_GUIDE_RIGHT						1	
45		SM6040450TP		SCREW_M4_L=4						2	
46		13401609		GASKET						1	

MF-7822-H21-B48

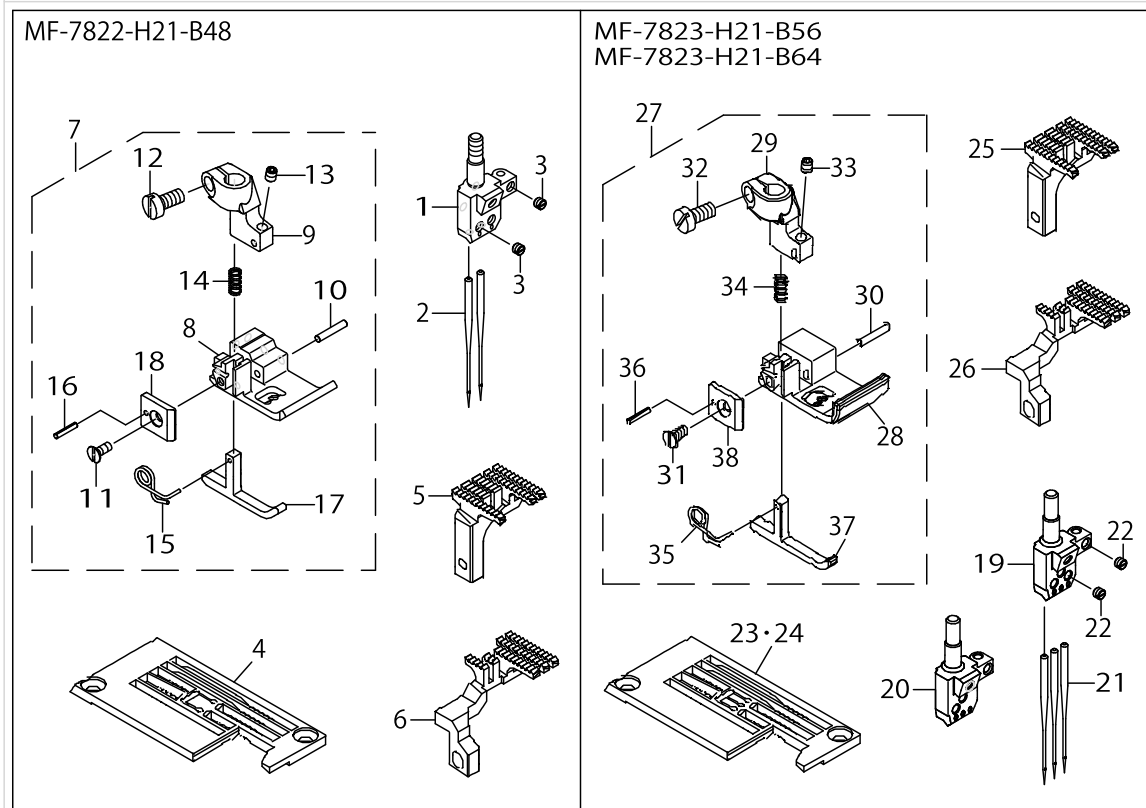


MF-7823-H21-B56
MF-7823-H21-B64



MF-7800-H21 (3)

No.	Supply Code	Parts No.	Replacement	Parts name	Remarks	Choice	Step	Level	Cons	Qty	Rep. QTY
1		13350509		NEEDLE_HEAD_48						1	
2		MUY128S1000		NEEDLE UYX128GAS #10S						2	
3		SM8030350TP		SCREW M3 L=2.5						3	
4		13445101		THROAT_PLATE						1	
5		40041249		MAIN FEED DOG						1	
6		40041233		DIFF FEED DOG						1	
7		40039796		PRESSERFOOTASSY						1	
8		40039795		PRESSER FOOT BOTTOM				*		1	
9		13467907		PRESSER_FOOT_SHANK				*		1	
10		13375209		PIVOT_PIN				*		1	
11		SM1850600SP		SCREW M2.5 L=6				*		1	
12		SM6040800SP		SCREW				*		1	
13		SM8030412TP		SCREW M3 L=4				*		1	
14		13377106		SPRING				*		1	
15		13375308		SPRING_L				*		1	
16		PS0150082KH		SPRING PIN				*		1	
17		40038032		YIELDING_SECTION				*		1	
18		13468103		YIELDING_SECTION_PLATE				*		1	
19		13350301		NEEDLE_HEAD_56	FOR MF-7-823-H21-B56					1	
20		13350400		NEEDLE_HEAD_64	FOR MF-7-823-H21-B-64 ALL PARTS NOT MENTIONED IN THIS PART MODEL MF-7-800. OTHER PARTS LIST RELA *MF-7800 SERIES(NO.1379					1	
21		MUY128S1000		NEEDLE UYX128GAS #10S						3	
22		SM8030350TP		SCREW M3 L=2.5						4	
23		40041203		THROAT PLATE	FOR MF-7-823-H21-B56					1	
24		40041204		THROAT PLATE	FOR MF-7-823-H21-B-64 ALL PARTS NOT MENTIONED IN THIS PART MODEL MF-7-800. OTHER PARTS LIST RELA *MF-7800 SERIES(NO.1379					1	
25		40032900		MAIN_FEED_DOG						1	
26		40040376		DIFF FFE DOG						1	
27		40039794		PRESSERFOOTASSY						1	
28		40038066		PRESSER FOOT BOTTOM				*		1	
29		13467907		PRESSER_FOOT_SHANK				*		1	
30		13375209		PIVOT_PIN				*		1	
31		SM1850600SP		SCREW M2.5 L=6				*		1	
32		SM6040800SP		SCREW				*		1	



MF-7800-H21 (3)

No.	Supply Code	Parts No.	Replacement	Parts name	Remarks	Choice	Step	Level	Cons	Qty	Rep. QTY
33		SM8030412TP		SCREW M3 L=4				*		1	
34		13377106		SPRING				*		1	
35		13375308		SPRING_L				*		1	
36		PS0150082KH		SPRING PIN				*		1	
37		40038032		YIELDING SECTION				*		1	
38		13468103		YIELDING_SECTION_PLATE				*		1	

HOW TO MAKE USE OF THIS PARTS LIST

1.As to "#01" and "#02" refer to the "Note" given at the bottom of the respective pages.

2.Codes on the "Qty" column

- Each numeral indicates the number of parts required.
- "0.1" and "2.5" indicate the length (in meters) of the respective parts.

3.Parentheses mean that the corresponding part is a subpart that constructs an assembly part.

4.Dotted lines on the Figures indicate assembly parts.

1. リストページの# 0 1、# 0 2の印は、ページ下の"注記"の説明を参照下さい。
2. 数量欄の数字は、個数を表し、0. 1、2. 5等の数値は、長さ（単位メートル）を表します。
3. 数量欄の（ ）は、組部品を構成している子部品であることを意味します。
4. イラストページの-----枠は、組構成であることを意味します。

NUMERICAL INDEX OF PARTS

PART NO	PAGE	REF NO.	PART NO	PAGE	REF NO.	PART NO	PAGE	REF NO.
13301908	2	4	40039900	2	28	EA9500B0100	4	64
13301908	6	19	40039901	2	32	MUY128S1000	8	21
13302203	6	24	40039902	2	26	NM6050001SP	2	25
13302302	2	15	40039910	2	38	PC012601000	4	57
13302302	6	32	40039914	2	21	PH0150065C0	2	41
13302500	2	5	40039915	4	60	PH0300252C0	6	6
13302500	6	20	40039926	2	45	PH0400185S0	2	8
13302708	6	41	40040210	2	1	PS0150082KH	8	36
13350301	8	19	40040211	2	12	PS0150082KH	10	36
13350400	8	20	40040246	6	34	RE0300000K0	6	35
13350509	8	1	40040247	6	30	RO037180100	6	7
13375209	8	30	40040248	2	7	SM1040650TP	2	9
13375308	8	35	40040249	2	6	SM1040800SP	6	39
13375308	10	35	40040254	6	44	SM1850600SP	8	31
13377106	8	34	40040255	6	27	SM4030655SP	2	43
13377106	10	34	40040257	6	3	SM4030655SP	6	23
13401203	6	33	40040258	6	1	SM4040655SP	2	47
13401609	6	46	40040259	6	14	SM4040655SP	4	47
13401807	6	5	40040262	6	43	SM4040655SP	6	9
13401906	6	4	40040283	6	17	SM4040855SP	6	29
13402706	6	38	40040284	6	16	SM4041055SP	4	56
13403407	6	21	40040287	6	12	SM4042055SP	6	15
13403506	6	37	40040306	2	35	SM5040655SN	6	13
13413703	4	61	40040309	4	58	SM6030500SN	2	22
13413802	4	62	40040376	8	26	SM6030600SP	2	13
13413901	4	59	40040401	6	2	SM6040450TP	6	45
13445101	8	4	40040424	2	44	SM6040650TP	6	10
13461207	2	23	40040482	4	48	SM6040800SP	2	14
13461306	2	16	40040792	2	33	SM6040800SP	8	32
13461504	2	18	40041203	8	23·24	SM6041000SP	4	63
13462304	6	31	40041204	8	23·24	SM6051000SP	2	39
13463351	6	26	40041233	8	6	SM6051400SP	2	3
13467907	8	29	40041249	8	5	SM6051400SP	6	42
13468103	8	38	40042252	2	2	SM8030350TP	8	22
13468103	10	38	40042319	2	30	SM8030412TP	8	33
23630007	6	22	40042374	4	51	SM8030412TP	10	33
40032900	8	25	40042375	4	52	SM8040360TP	6	40
40038032	8	37	40042378	2	29	SM8040412TP	2	19
40038032	10	37	40043800	4	54	SM8050412TP	2	37
40038066	8	28	40043815	4	55	SM8060412TP	2	17
40039364	2	42	40043839	4	53	WP0430801SC	2	46
40039794	8	27	40048534	4	50	WP0430801SC	6	28
40039795	8	8	40048589	6	11	WP0550800SP	2	24
40039796	8	7	CQ303000000	4	49	WP0550800SP	6	36
40039897	2	20	CS0800881TP	2	36	WP0820516SP	2	34