

MODEL : MO-6700D

List No : 1435-02

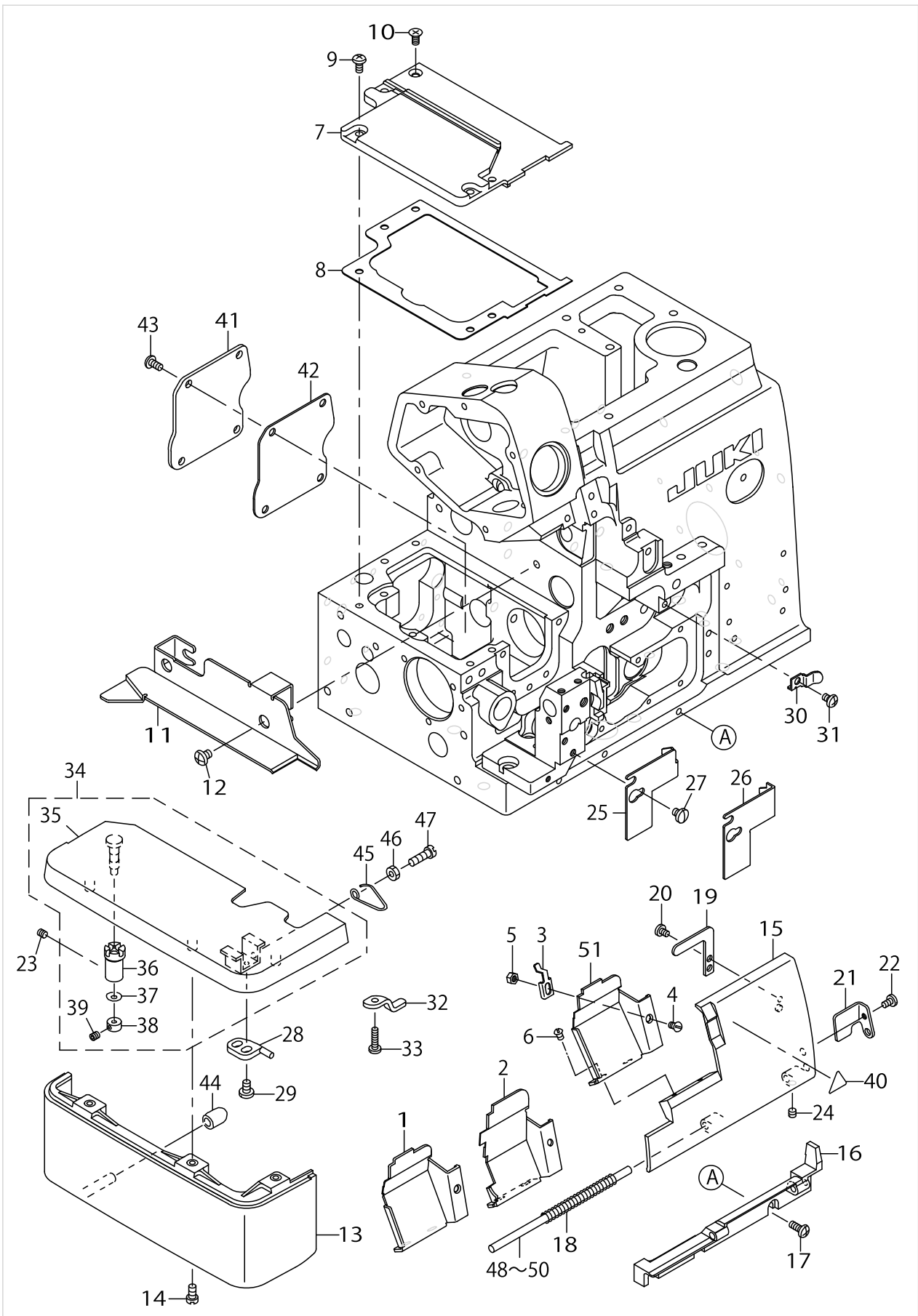
PARTS LIST

Published:05/12/2017

CONTENTS

MISCELLANEOUS COVER COMPONENTS (1).....	1
MISCELLANEOUS COVER COMPONENTS (2).....	5
CRANKSHAFT COMPONENTS	9
NEEDLE DRIVING SHAFT COMPONENTS.....	13
FEED MECHANISM COMPONENTS (1).....	17
FEED MECHANISM COMPONENTS (2).....	19
UPPER & LOWER LOOPER COMPONENTS.....	23
CHAIN LOOPER COMPONENTS (FOR MO-6716D).....	27
PRESSER FOOT COMPONENTS (1).....	29
PRESSER FOOT COMPONENTS (2).....	33
THREAD TENSION COMPONENTS	37
LOWER KNIFE COMPONENTS.....	41
UPPER KNIFE COMPONENTS	45
NEEDLE COOLING MECHANISM COMPONENTS (FOR SH)	47
LUBRICATION MECHANISM COMPONENTS.....	49
SEMI-SUNKEN TYPE TABLE COMPONENTS.....	53
FULLY-SUNKEN TYPE TABLE COMPONENTS.....	55
STAND COMPONENTS (Z·T).....	57
THREAD STAND COMPONENTS (FOR MO-6704D,MO-6714D).....	59
THREAD STAND COMPONENTS (MO-6704D,MO-6714D SPECIAL ORDER PARTS)	61
THREAD STAND COMPONENTS (FOR MO-6716D).....	63
THREAD STAND COMPONENTS (MO-6716D SPECIAL ORDER PARTS).....	65
SPECIAL ORDER PARTS COMPONENTS.....	67
ACCESSORIES PARTS COMPONENTS	71
LIST FOR INFORMATION OF CHANGE (1).....	73
LIST FOR INFORMATION OF CHANGE (2).....	74
HOW TO MAKE USE OF THIS PARTS LIST	75

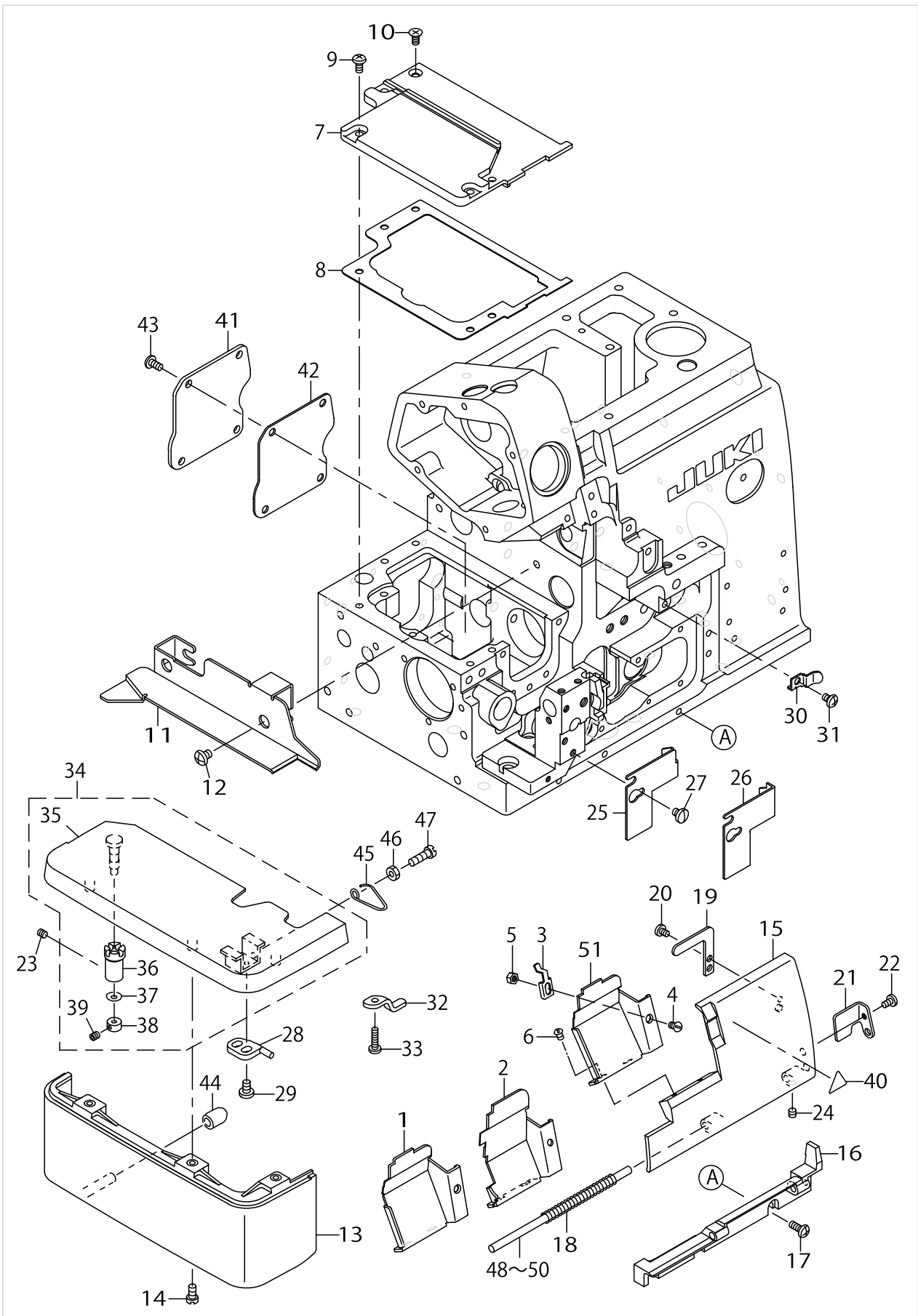
MISCELLANEOUS COVER COMPONENTS (1)



MISCELLANEOUS COVER COMPONENTS (1)

No.	Supply Code	Parts No.	Replacement	Parts name	Remarks	Choice	Step	Level	Cons	Qty	Rep. QTY
1		13104104		CLOTH WASTE COVER	FOR MO-6-704D,MO-6-714D (FOR SH)					1	
2		13104203		CLOTH WASTE COVER	FOR MO-6716D					1	
3		13102405		CROTH WASTE COVER STOPPER						1	
4		SS2090520SL		SCREW 9/64-40 L=5						1	
5		NS6090310SN		NUT 9/64-40						1	
6		SS3090610SP		SCREW 9/64-40 L=6						2	
7		13200704		FEED MECHANISM COVER						1	
8		13200803		FEED MECHANISM COVER GASKET						1	
9		SM4040855SP		SCREW						4	
10		SM1040801SC		SCREW M4X0.7 L=8						1	
11	R	12342101	13102306	CLOTH BASE SIDE COVER						1	1.00
12		SS4120615SP		SCREW 3/16-28 L=6						2	
13		13103809		CLOTH BASE COVER						1	
14		SS4091015SP		SCREW 9/64-40 L=10						2	
15		13100904		LOOPER COVER						1	
16		13100805		LOOPER COVER BRACKET						1	
17		SM4041055SP		SCREW M4 L=10						3	
18		13101209		LOOPER COVER SPRING						1	
19		13101407		LOOPER COVER PRESSER PLATE						1	
20		SS7090530SP		SCREW 9/64-40 L=4.5						1	
21		13101001		LOOPER COVER GUIDE PLATE						1	
22		SS7090610SP		SCREW 9/64-40 L=6						1	
23		SS8110410TP		SCREW 11/64-40 L= 3.5						1	
24		SS8110410TP		SCREW 11/64-40 L= 3.5						1	
25		13101506		CLOTH WASTE COVER , LEFT	FOR MO-6-704D,MO-6714D					1	
26		13101605		CLOTH WASTE COVER , LEFT	FOR MO-6716D					1	
27		SS7110510SP		SCREW 11/64-40 L=5						2	
28		13101704		CLOTH BASE SWITCH-TYPE STOPPER						1	
29		SS7110710SP		SCREW 11/64-40 L=7						2	
30		13101308		LOOPER COVER PRESSER SPRING						1	
31		SM4040655SP		SCREW M4 L=6						1	
32		13101803		CROTH BASE SUPPORT PLATE						1	
33		SS7091410SP		SCREW 9/64-40 L=13.5						1	
34		13103650		CLOTH BASE CMPL.						1	
35	R	13102058	13103650	CLOTH BASE ASM.					*	1	1.00
36		13101902		CLOTH BASE ECCE-NTRIC BUSHING					*	1	
37		WZ0420350KP		DISC SPRING					*	1	
38		13172903		CLOTH BASE HINGE SHAFT COLLAR					*	1	
39		SM8040302TP		SETSCREW					*	1	
40		CM300200001		ATTENTION SEAL						1	
41		13201504		ADJUSTING HOLE COVER						1	
42		13201603		ADJUSTING HOLE COVER GASKET						1	
43		SM4040855SP		SCREW						4	

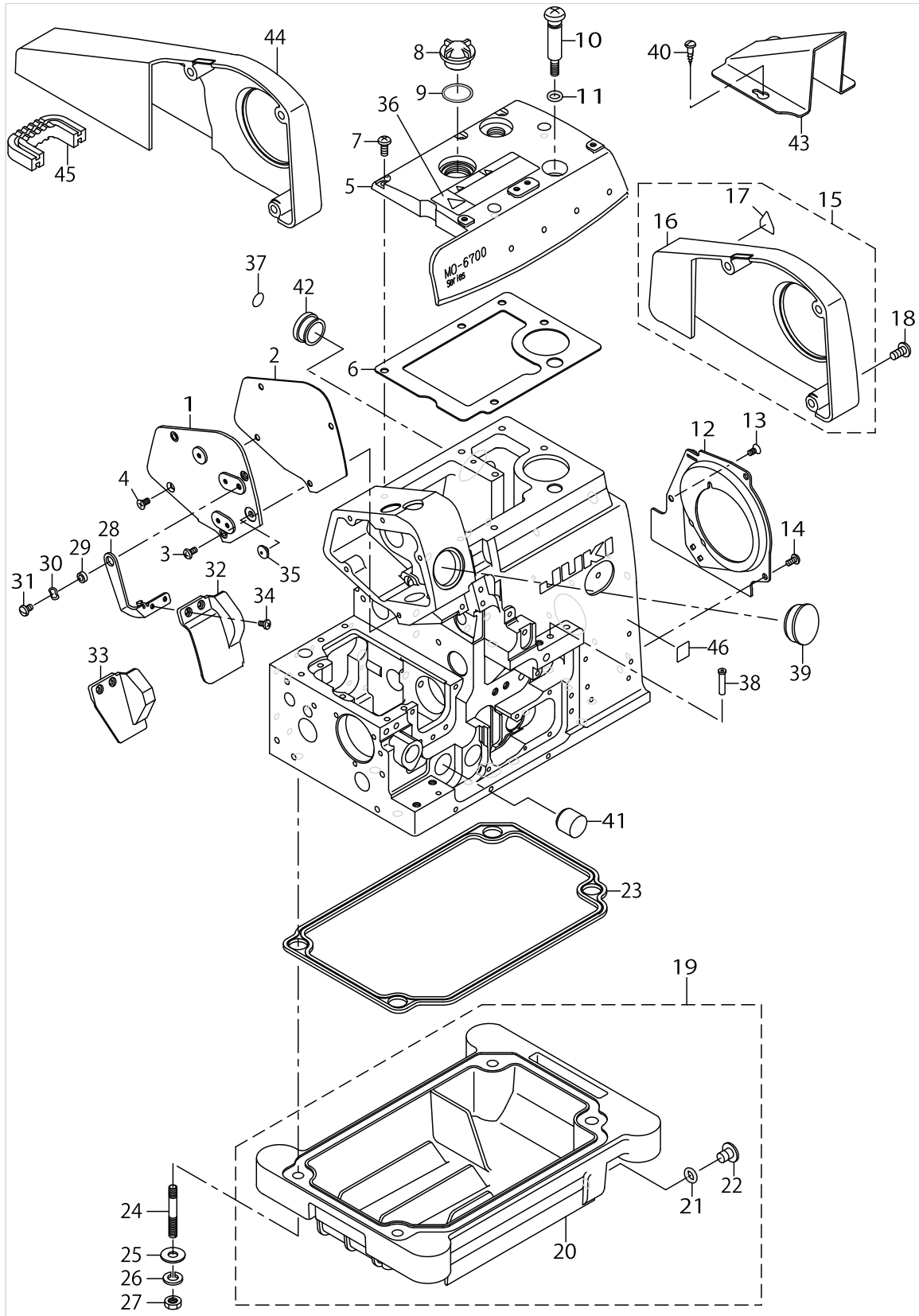
MISCELLANEOUS COVER COMPONENTS (1)



MISCELLANEOUS COVER COMPONENTS (1)

No.	Supply Code	Parts No.	Replacement	Parts name	Remarks	Choice	Step	Level	Cons	Qty	Rep. QTY
44		13104302		CLOTH BASE COVER RUBBER PLUG						1	
45		13102207		CLOTH BASE SWITCH-TYPE SPRING						1	
46		NS6110420SP		NUT 11/64-40						1	
47		SS6111440SP		SCREW 11/64-40 L=14.0						1	
48		13240007		LOOPER COVER HINGE SHAFT A	SELECTIVE PARTS					1	
49		13240106		LOOPER COVER HINGE SHAFT B	SELECTIVE PARTS					1	
50		13240205		LOOPER COVER HINGE SHAFT C	SELECTIVE PARTS					1	
51		13104005		CLOTH WASTE COVER	FOR MO-6-704D, MO-6-714D (EXCEPT SH)					1	

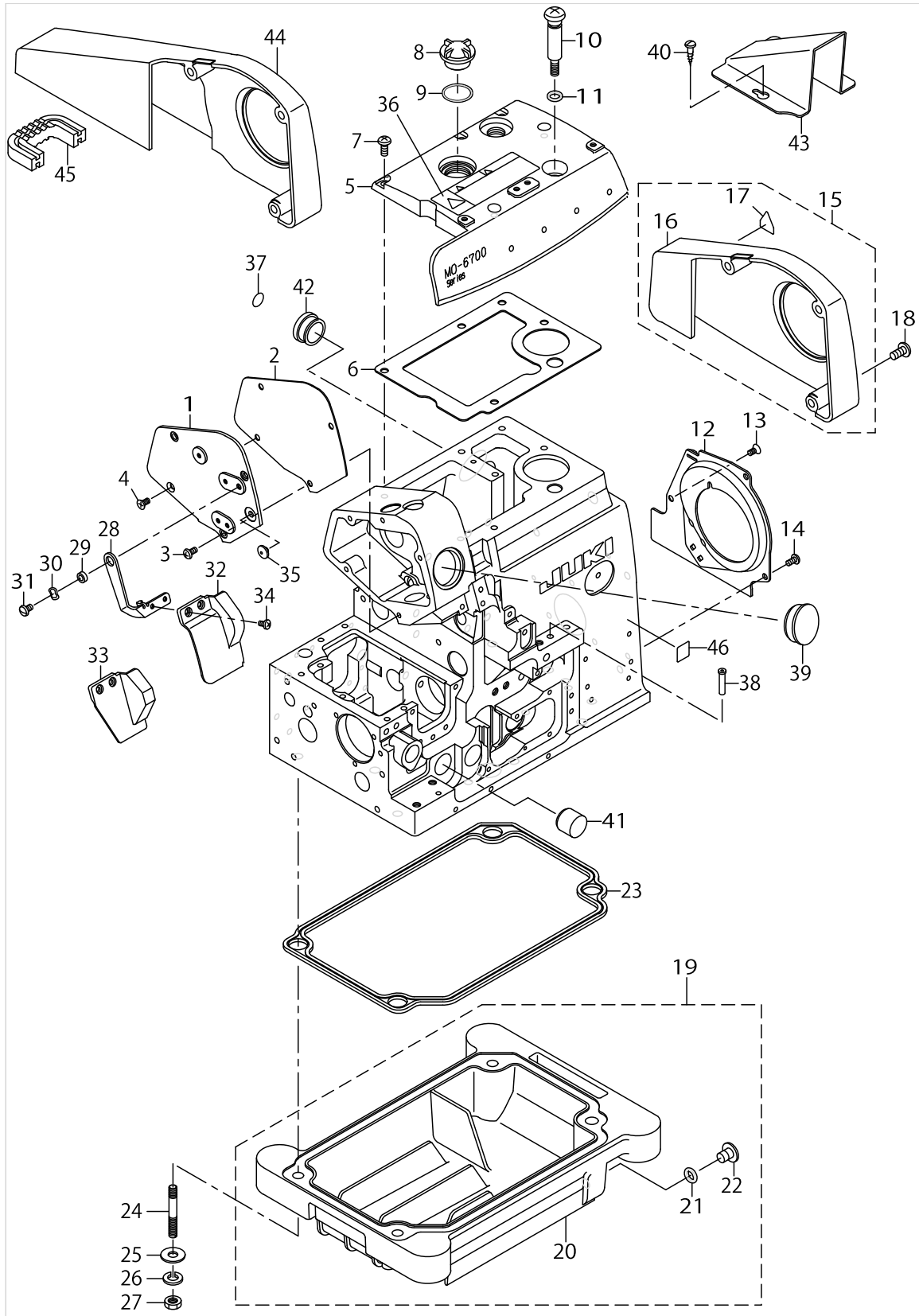
MISCELLANEOUS COVER COMPONENTS (2)



MISCELLANEOUS COVER COMPONENTS (2)

No.	Supply Code	Parts No.	Replacement	Parts name	Remarks	Choice	Step	Level	Cons	Qty	Rep. QTY
1		13200209		SIDE COVER						1	
2		13200308		SIDE COVER GASKET						1	
3		SM4040855SP		SCREW						3	
4		SM1040801SC		SCREW M4X0.7 L=8						1	
5		40037299		UPPER COVER						1	
6		13200605		UPPER COVER GASKET						1	
7		SM4051255SP		SCREW M5 L=12.						5	
8		22924708		OIL SIGHT WINDOW						1	
9		13170006		RUBBER RING						1	
10		13104500		OIL DRAIN SCREW						1	
11		13170204		RUBBER RING						1	
12		13201009		COOLING FAN PLATE						1	
13		SM1040801SC		SCREW M4X0.7 L=8						1	
14		SM4040855SP		SCREW						2	
15		13201454		BELT COVER ASM.	VARIOUS NOS.FOR DESTINATIONS					1	
16	R	13201405	13201454	BELT COVER				*		1	1.00
17		CM3002000A1		CAUTION LABEL(16)				*		1	
18		SS4151215SP		SCREW15/64-28L=12						3	
19		13102553		OIL RESERVOIR ASM.						1	
20	R	13102504	13102553	OIL RESERVOIR				*		1	1.00
21		13170105		RUBBER RING				*		1	
22	R	13171004	SM0081001SD	DRAIN SCREW				*		1	1.00
23		13102603		OIL RESERVOIR GASKET						1	
24		13103908		SCREW STUD						4	
25		WP0751576SD		WASHER 7.5X19X1.5						4	
26		WS0822010KP		SPRING WASHER 8.2X15X2						4	
27		NS6680410SP		NUT 9/32-28						4	
28		13201108		SAFETY PLATE BRACKET						1	
29		13104807		SAFETY PLATE BRACKET COLLAR						1	
30		WZ0850302K0		WAVED WASHER 8.5X12.5X0.3						1	
31		SS5110710SP		SCREW 11/64-40 L=7						1	
32		13201306		SAFETY PLATE	FOR MO-6716D					1	
33		13201207		SAFETY PLATE	FOR MO-6-704D,MO-6714D					1	
34		SS7090611SL		SCREW 9/64-40 L=6.1						2	
35		13204003		SAFETY PLATE BUSH						1	
36		CM3002001B1		SAFETY LABEL 12						1	
37		22901805		GROUND MARK						1	
38		13102900		THREAD GUIDE, LARGE						2	
39		10753309		WINDOW PLATE RUBBER PLUG						1	
40		SK3412001SE		WOOD SCREW D=4.1 L=20						2	
41		TA1871602R0		RUBBER PLUG	FOR MO-6-704D,MO-6714D					1	
42		TA2050805R0		RUBBER PLUG						1	
43		13160700		BELT COVER (B)						1	
44		40037392		BELT COVER C	VARIOUS NOS.FOR DESTINATIONS					1	

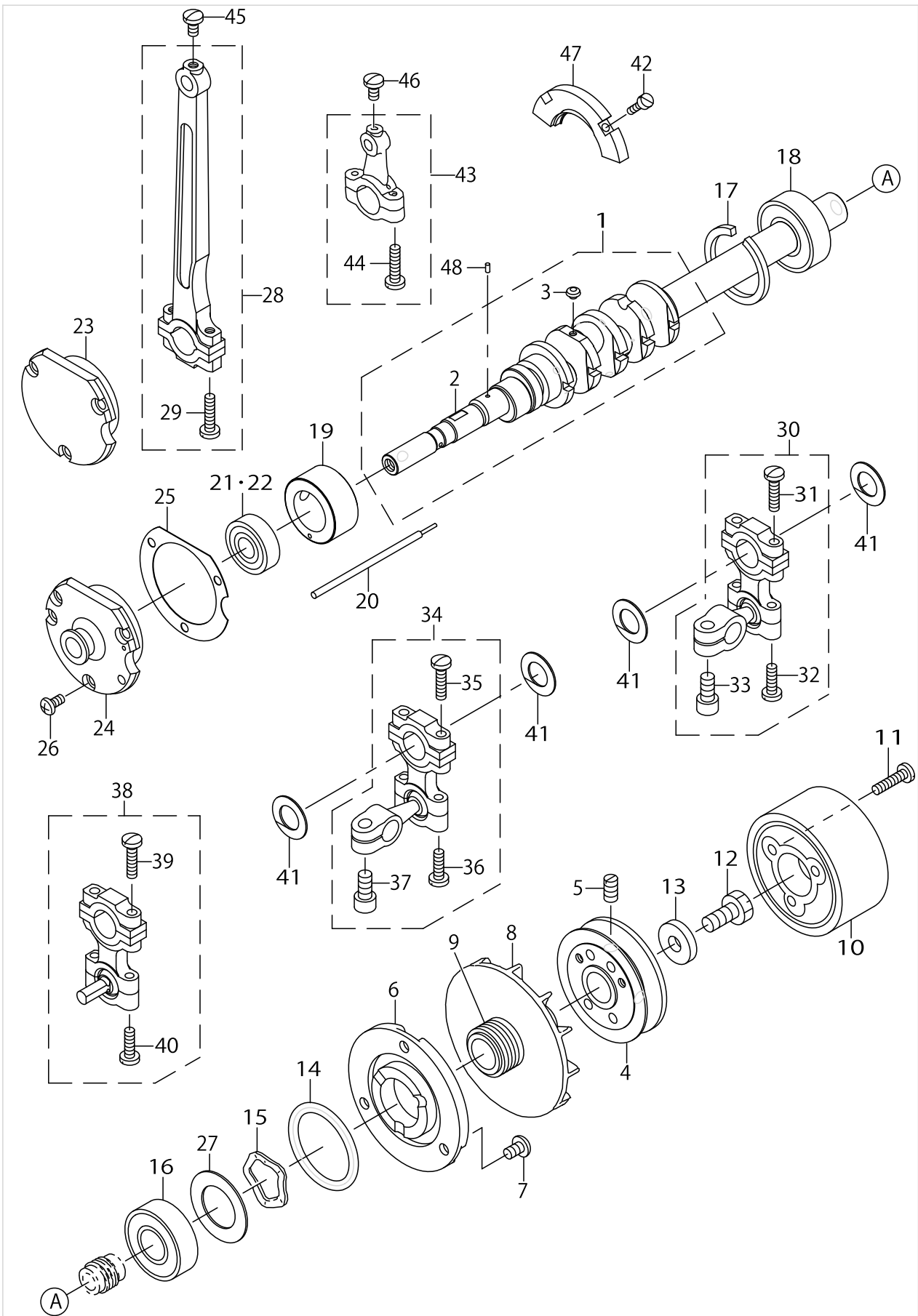
MISCELLANEOUS COVER COMPONENTS (2)



MISCELLANEOUS COVER COMPONENTS (2)

No.	Supply Code	Parts No.	Replacement	Parts name	Remarks	Choice	Step	Level	Cons	Qty	Rep. QTY
45		40040065		VIBRATION PROOF RUBBER	VARIOUS NOS.FOR DESTINATIONS					1	
46		CM600100101		WEEE MARK LABEL S	FOR JE,TURKEY					1	

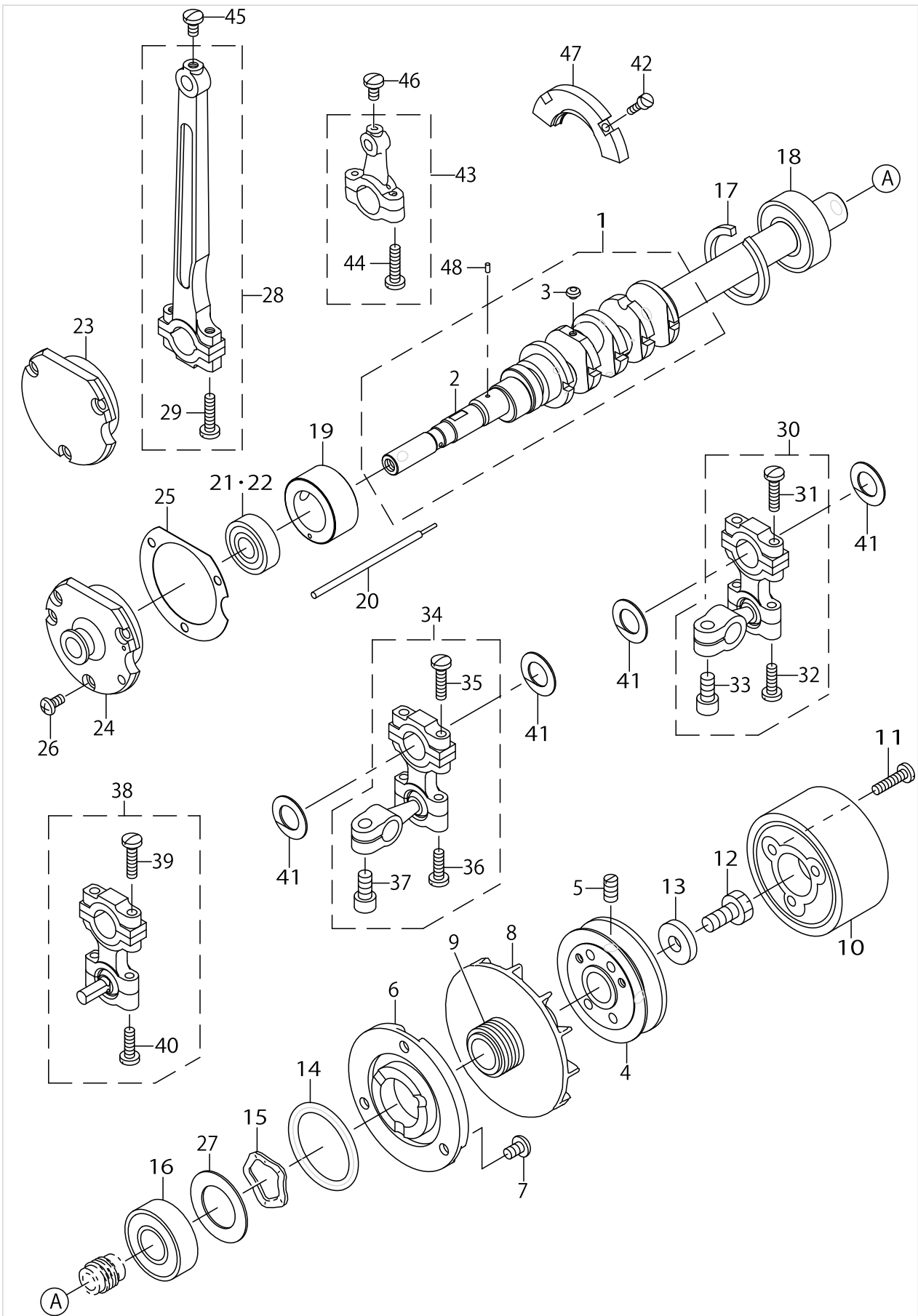
CRANKSHAFT COMPONENTS



CRANKSHAFT COMPONENTS

No.	Supply Code	Parts No.	Replacement	Parts name	Remarks	Choice	Step	Level	Cons	Qty	Rep. QTY
1		40023235		MAIN SHAFT ASM.						1	
2	R	40023234	40023235	MAIN SHAFT (300)				*		1	1.00
3		SS5080212TP		SCREW 1/8-44 L=2				*		5	
4		13107602		HANDWHEEL (A)						1	
5		SS8151150TP		SCREW 15/64-28 L=10.5						2	
6		13107800		THRUST COLLAR						1	
7		SM4050855SP		SCREW M5 L=8						3	
8		13108402		COOLING FAN						1	
9		13108501		CRANKSHFT OIL SHIELD						1	
10		13107701		HANDWHEEL						1	
11		SS7111810TP		SCREW11/64-40L=18						3	
12		SS9681610TP		SCREW 9/32-28 L=16						1	
13		WP0764016SP		WASHER						1	
14		13170303		RUBBER RING						1	
15		WZ2640310KH		WAVED WASHER 26.4X33.9X3.5						1	
16	R	B1211804000	13108600	BALL BEARING B						1	1.00
17		B1212704000		BEARING RETAINER						1	
18	R	B1211804000	13108600	BALL BEARING B						1	1.00
19		13205406		CRANKSHAFT BUSHING C						1	
20		13104906		OIL ADJUSTING BAR						1	
21	R	B1215804000	13108808	BALL BEARING D	FOR MO-6-704D,MO-6714D					1	1.00
22	R	SB110000300	13108907	BALL BEARING	FOR MO-6716D					1	1.00
23		13108006		CRANKSHAFT BUSHING D	FOR MO-6-704D,MO-6714D					1	
24		13108105		CRANKSHAFT BUSHING D	FOR MO-6716D					1	
25		13108204		CRANKSHAFT BUSHING GASKET						1	
26		SM4040855SP		SCREW						3	
27		13108303		BEARING HOLDING PLATE						1	
28	R	12109153	13207550	CONNECTING ROD ASM.						1	1.00
29		SS7111810TP		SCREW11/64-40L=18				*		2	
30		12122362		UPPER LOOPER ROD ASM.						1	
31		SS7111810TP		SCREW11/64-40L=18				*		2	
32		SS7111410TP		SCREW11/64-40L=14				*		2	
33		SM6061202TP		SCREW M6 L=12				*		1	
34		12123360		LOWER LOOPER ROD ASM., A	FOR MO-6-704D,MO-6714D					1	
35		SS7111810TP		SCREW11/64-40L=18				*		2	
36		SS7111410TP		SCREW11/64-40L=14				*		2	
37		SM6061202TP		SCREW M6 L=12				*		1	
38		12120150		LOWER LOOPER ROD ASM., B	FOR MO-6716D					1	
39		SS7111810TP		SCREW11/64-40L=18				*		2	
40		SS7111410TP		SCREW11/64-40L=14				*		2	
41		40017824		LOOPER LOD STOPPER						4	
42		SS6081210TP		SCREW 1/8-44 L=12						2	
43	R	12132155	13232558	KNIFE DRIVING ROD ASM.						1	1.00
44		SS7111810TP		SCREW11/64-40L=18				*		2	
45		SS7110840SP		SCREW 11/64-40 L=7.8						1	

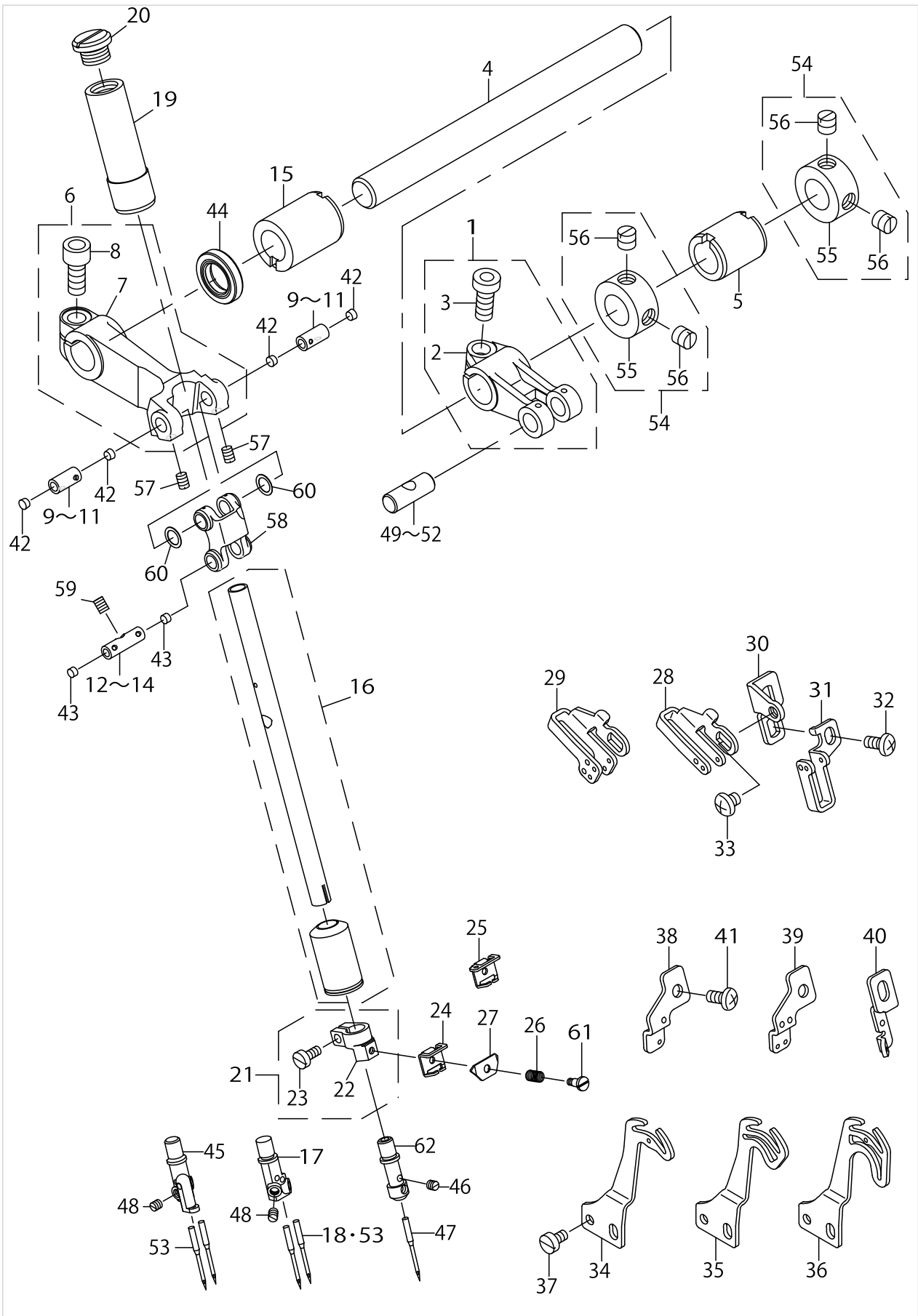
CRANKSHAFT COMPONENTS



CRANKSHAFT COMPONENTS

No.	Supply Code	Parts No.	Replacement	Parts name	Remarks	Choice	Step	Level	Cons	Qty	Rep. QTY
46		SS7110840SP		SCREW 11/64-40 L=7.8						1	
47		40017714		BALANCER						1	
48		40035711		OIL WICK						1	

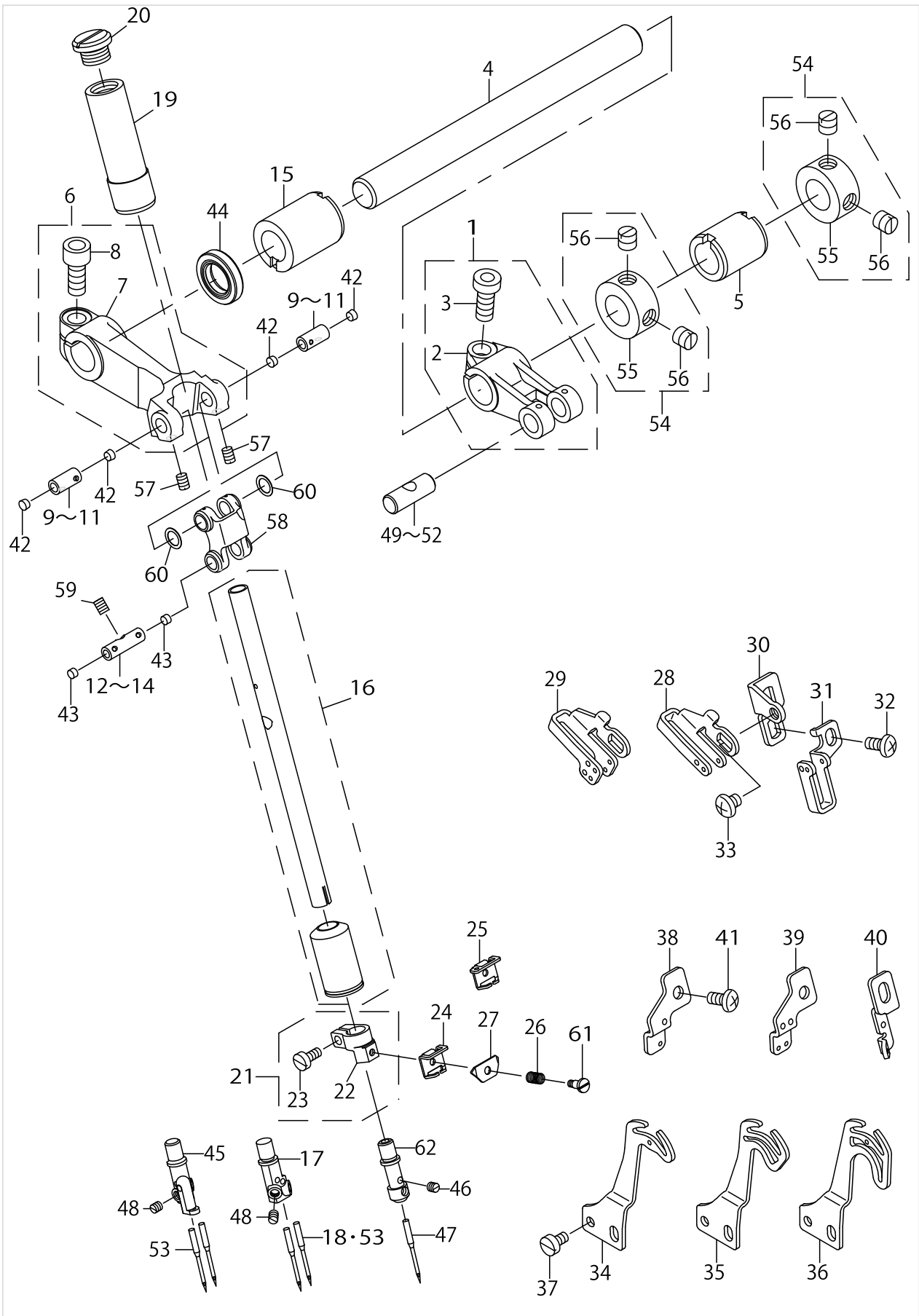
NEEDLE DRIVING SHAFT COMPONENTS



NEEDLE DRIVING SHAFT COMPONENTS

No.	Supply Code	Parts No.	Replacement	Parts name	Remarks	Choice	Step	Level	Cons	Qty	Rep. QTY
1		13110556		FEED FORKED CRANK ASM.						1	
2	R	13110507	13110556	NEEDLE DRIVING BRANCH CRANK				*		1	1.00
3		SM6061402TP		SCREW M6 L=14				*		1	
4		40004558		NEEDLE DRIVING SHAFT						1	
5		13110101		BUSHING ,REAR						1	
6		13209853		NEEDLE DRIVING ARM ASM.						1	
7	R	13209804	13209853	NEEDLEDRIVINGARM				*		1	1.00
8		SM6061402TP		SCREW M6 L=14				*		1	
9		40004559		NEEDLE DRIVING ARM PIN A	SELECTIVE PARTS					2	
10		40004561		NEEDLE DRIVING ARM PIN B	SELECTIVE PARTS					2	
11		40004563		NEEDLE DRIVING ARM PIN C	SELECTIVE PARTS					2	
12		40004565		NEEDLE DRIVING PIN A	SELECTIVE PARTS					1	
13		40004567		NEEDLE DRIVING PIN B	SELECTIVE PARTS					1	
14		40004569		NEEDLE DRIVING PIN C	SELECTIVE PARTS					1	
15		40004572		FRONT METAL						1	
16		40032558		NEEDLE ROD(B) ASM.						1	
17		13175203		NEEDLE CLAMP	FOR MO-6714D					1	
18		MDC270B0900		NEEDLE DCX27 #9	FOR MO-6-714D-BE6-207					2	
19		40032552		NEEDLE ROD BUSHING UPPER						1	
20		13207808		NEEDLE ROD BUSHING CAP SCREW						1	
21		13110259		NEEDLE CLAMP HOLDER ASM.						1	
22	R	13110200	13110259	NEEDLE CLAMP HOLDER				*		1	1.00
23		SS6080720SP		SCREW 1/8-44 L=7				*		1	
24		13110705		NEEDLE THREAD PRESSER GUIDE A	FOR MO-6-704D,MO-6714D					1	
25		13110804		NEEDLE THREAD PRESSER GUIDE B	FOR MO-6716D					1	
26		13110903		NEEDLE THREAD PRESSER SPRING						1	
27		13111000		NEEDLE THREAD PRESSER PLATE A						1	
28		13208806		NEEDLE THREAD GUIDE	FOR MO-6-704D,MO-6716D					1	
29		13208905		THREAD GUIDE, 2-NEEDLE	FOR MO-6714D					1	
30		13208707		NEEDLE THREAD GUIDE BASE						1	
31		13111109		THREAD GUIDE, CHAIN LOOPER	FOR MO-6716D					1	
32		SM4040855SP		SCREW						2	
33		SS4110515SP		SCREW 11/64-40 L=5						1	
34		13111208		NEEDLE THREAD TAKE-UP LEVER	FOR MO-6704D					1	
35		13111307		TAKE-UP LEVER , 2-NEEDLE	FOR MO-6714D					1	
36		13111406		TAKE-UP LEVER , CHAIN LOOP	FOR MO-6716D					1	
37		SS6090670TP		SCREW 9/64-40 L=6						2	
38		13111505		NEEDLE THREAD BALANCE GUIDE	FOR MO-6-704D,MO-6716D					1	
39		13111604		TAKE-UP LEVER GUIDE , 2-NEEDLE	FOR MO-6714D					1	
40		13111703		TAKE-UP LEVER GUIDE,CHAIN LOOP	FOR MO-6716D					1	
41		SM4040855SP		SCREW						1	
42		40004580		NEEDLE DRIVING ARM PIN PLUG						4	
43		11517307		PLUG						2	

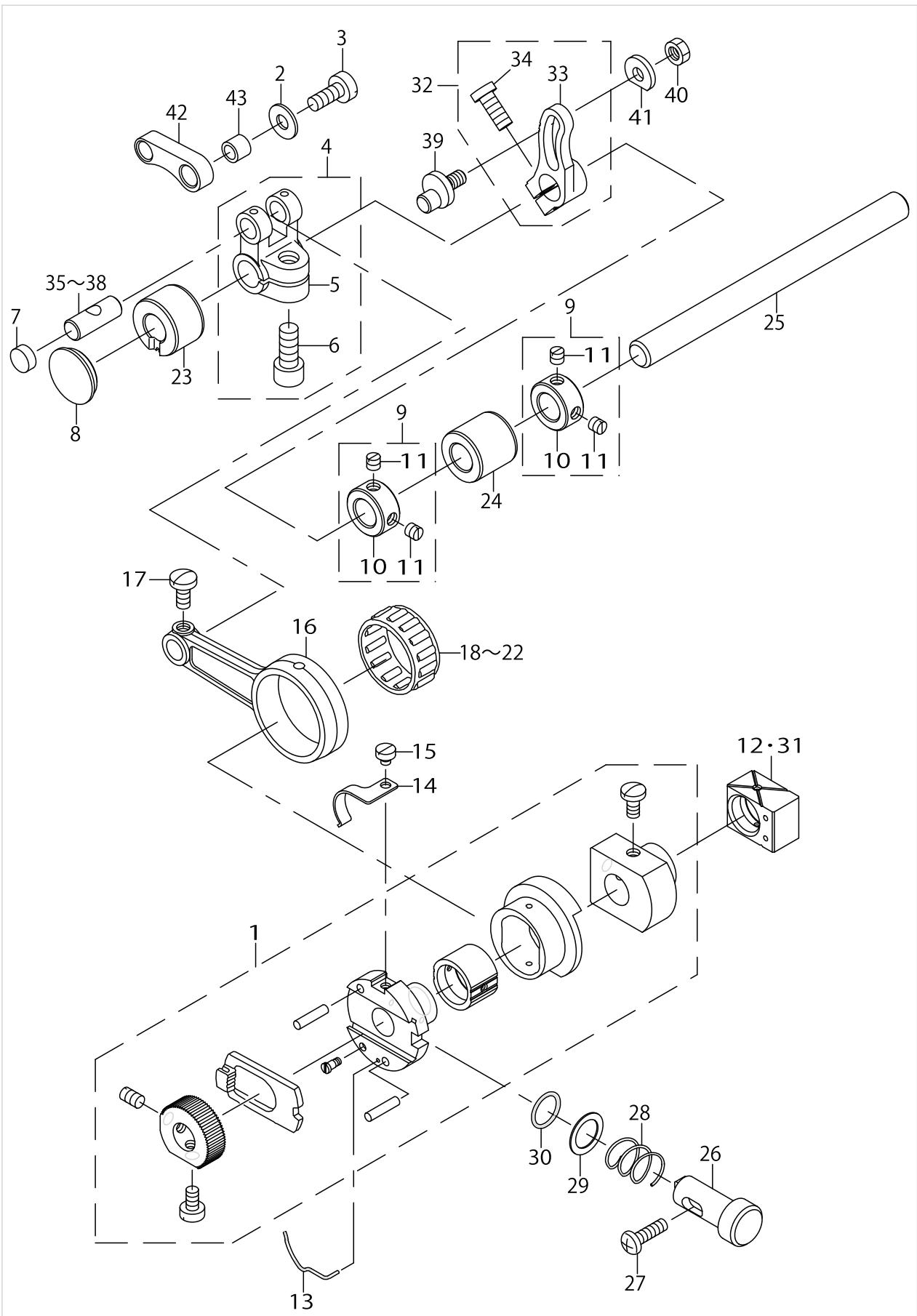
NEEDLE DRIVING SHAFT COMPONENTS



NEEDLE DRIVING SHAFT COMPONENTS

No.	Supply Code	Parts No.	Replacement	Parts name	Remarks	Choice	Step	Level	Cons	Qty	Rep. QTY
44		40032545		OIL SEAL						1	
45	R	12257002	13175500	CHAIN LOOPER NEEDLE CLAMP, DE	FOR MO-6716D					1	1.00
46		SS8080310TP		SCREW 1/8-44 L=2.8	FOR MO-6704D					1	
47		MDC270B1100		NEEDLE DCX27 #11	FOR MO-6704D					1	
48		SS8080310TP		SCREW 1/8-44 L=2.8	FOR MO-6-714D,MO-6716D					2	
49		13122007		FEED BRANCH CRANK PIN A	SELECTIVE PARTS					1	
50		13122106		FEED BRANCH CRANK PIN B	SELECTIVE PARTS					1	
51		13122205		FEED BRANCH CRANK PIN C	SELECTIVE PARTS					1	
52		13122304		FEED BRANCH CRANK PIN D	SELECTIVE PARTS					1	
53		MDC270B1100		NEEDLE DCX27 #11	FOR MO-6-714D,MO-6716D					2	
54		13172754		THRUST COLLAR ASM.						2	
55		13172705		THRUST COLLAR				*		1	
56		SS8660610TP		SCREW 1/4-40 L=6				*		2	
57		SS8090530TP		SCREW 9/64-40L=5.0						2	
58		40004574		NEEDLE DRIVING LINK						1	
59		SS8090530TP		SCREW 9/64-40L=5.0						1	
60		13208103		NEEDLE DRIVING LINK WASHER						2	
61		SD0280401SL		HINGE SCREW D=2.8 H=4						1	
62		13175005		NEEDLE CLAMP, 1-NEEDLE	FOR MO-6704D					1	

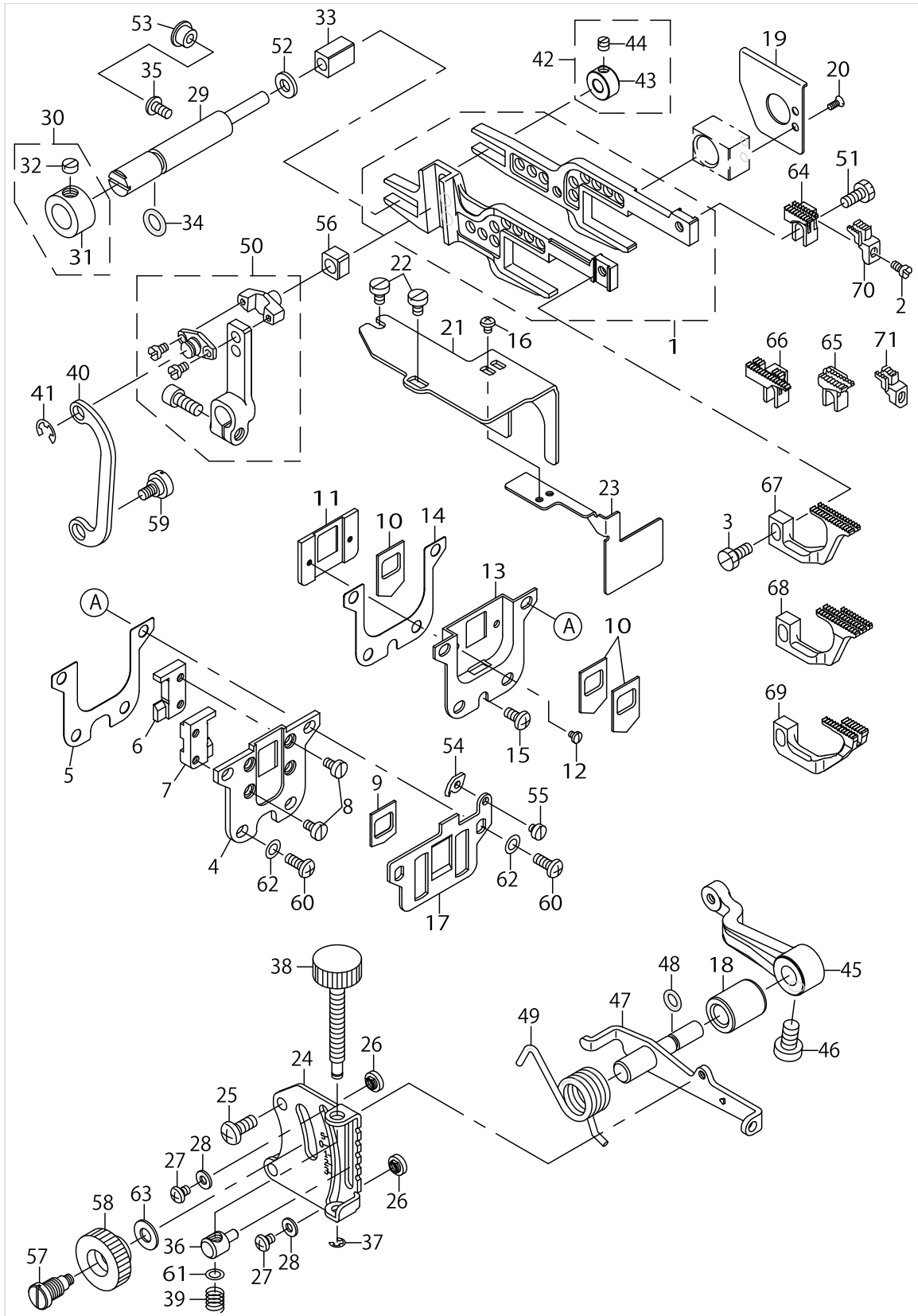
FEED MECHANISM COMPONENTS (1)



FEED MECHANISM COMPONENTS (1)

No.	Supply Code	Parts No.	Replacement	Parts name	Remarks	Choice	Step	Level	Cons	Qty	Rep. QTY
1		13118054		FEED ECCENTRIC BODY ASM.						1	
2		13120605		WASHER						1	
3		SS6121220TP		SCREW 3/16-28 L=11.5						1	
4		13122452		FEED BRANCH CRANK ASM.						1	
5		13122403		FEED BRANCH CRANK				*		1	
6		SM6061402TP		SCREW M6 L=14				*		1	
7		TA1030402R0		RUBBER PLUG D=10.3 L=4						1	
8		TA2050416R0		RUBBER PLUG						1	
9		13172556		FEED SHAFT THRU-ST COLLAR ASM.						2	
10		13172507		FEED SHAFT THRUST COLLAR				*		1	
11		SS8110410TP		SCREW 11/64-40 L= 3.5				*		2	
12		13217807		SLIDE BLOCK A	SELECTIVE PARTS					1	
13		13122502		RATCHET PAWL SPRING						1	
14		13119300		RATCHET GEAR SPRING						1	
15		SS6080320SP		SCREW 1/8-44 L= 2.5						1	
16		13118708		FEED CRANK ROD						1	
17		SS7110910TP		SCREW 11/64-40 L= 8.5						1	
18		12116604		NEEDLE BEARING	SELECTIVE PARTS					1	
19		12116703		NEEDLE BEARING B	SELECTIVE PARTS					1	
20		12116802		NEEDLE BEARING.,C.	SELECTIVE PARTS					1	
21		12116901		NEEDLE BEARING.,D.	SELECTIVE PARTS					1	
22		12117008		NEEDLE BEARING.,E.	SELECTIVE PARTS					1	
23		13119409		FEED SHAFT METAL , FRONT						1	
24		13119508		FEED SHAFT METAL , REAR						1	
25		13119607		FEED SHAFT						1	
26	D	13216809		PUSHBUTTONSHAFT						1	
27		SM4041455SN		SCREW M4 L=14						1	
28		13216601		PUSH BUTTON SPRING						1	
29		13216700		PUSH BUTTON SHAFT WASHER						1	
30		13244108		RUBBER RING						1	
31		13217906		SLIDE BLOCK B	SELECTIVE PARTS					1	
32		13119953		MAIN FEED ARM ASM.						1	
33		13119904		MAIN FEED ARM				*		1	
34		SM6051202TP		SCREW M5X0.8 L=12				*		1	
35		13122007		CRANK PIN A	SELECTIVE PARTS					1	
36		13122106		CRANK PIN B	SELECTIVE PARTS					1	
37		13122205		CRANK PIN C	SELECTIVE PARTS					1	
38		13122304		CRANK PIN D	SELECTIVE PARTS					1	
39		13119706		MAIN FEED ARM PIN						1	
40		NS6620320SP		NUT 3/16-32						1	
41		13120001		WASHER B						1	
42		13119805		MAIN FEED LINK						1	
43	D	B1620804000		PIN COLLAR						1	

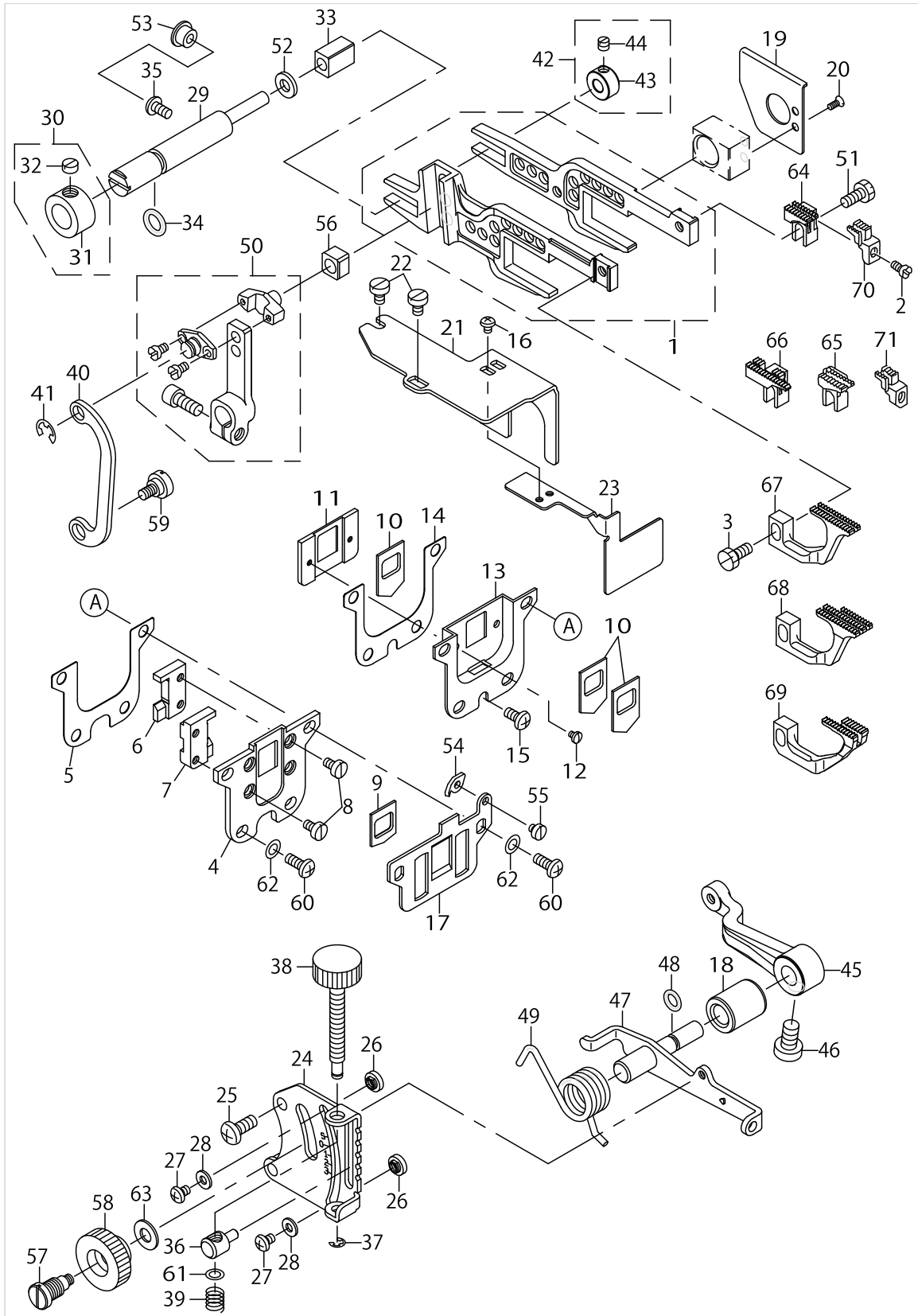
FEED MECHANISM COMPONENTS (2)



FEED MECHANISM COMPONENTS (2)

No.	Supply Code	Parts No.	Replacement	Parts name	Remarks	Choice	Step	Level	Cons	Qty	Rep. QTY
1		13215157		FEED ROCKER ASM.						1	
2		SS4080620TP		SCREW 1/8-44 L=6						1	
3		SS9111010SP		SCREW 11/64-40 L=9.5						1	
4		13215306		RUBBER CASE						1	
5		13215405		RUBBER CASE GASKET						1	
6		13215504		FEED BAR SUPPORT , RIGHT						1	
7		13215603		FEED BAR SUPPORT , LEFT						1	
8		SS6090620TP		SCREW						4	
9	R	12118303	70004244	DUST-PROOF RUBBER						1	1.00
10	R	12118204	70004244	OIL SHIELD RUBBER						3	1.00
11		13215702		RUBBER HOLDING PLATE						1	
12		SS7060310SP		SCREW 3/32-56 L=3						2	
13		13215900		OIL SHIELD CASE						1	
14		13216007		OIL SHIELD CASE GASKET						1	
15		SM4040855SP		SCREW						1	
16		SM4030455SP		SCREW						2	
17		13215801		THROAT PLATE SUPPORT						1	
18		13122700		ADJUSTING SHAFT METAL						1	
19		13216106		OIL SHIECD PLATE						1	
20		SS1060610SP		SCREW 3/32-56 L=5.5						2	
21		13216205		FEED CAM OIL SHIECD PLATE						1	
22		SM6040600SP		SCREW M4 L=6						2	
23		13216304		OIL SHIECD PLATE						1	
24		13122809		DIFFERENTIAL FEED GRADUATION						1	
25		SM4051255SP		SCREW.,M5 L=12.						2	
26		13121405		ADJUSTING STOPPER						2	
27		SS4090515SP		SCREW 9/64-40 L=5						2	
28		WP0371016SD		WASHER 3.7X8X1						2	
29		13120902		SUPPORT SHAFT						1	
30		13121058		HRUST COLLAR ASM.						1	
31		13121009		HRUST COLLAR					*	1	
32		SS8660330SP		SCREW 1/4-40 L= 3.0					*	1	
33		13120803		SLIDE BLOCK						1	
34		13170204		RUBBER RING						1	
35		SM4040855SP		SCREW						1	
36		13217708		DIFFERENTIAL FEED BLOCK						1	
37		RE0300000K0		E-RING 3						1	
38		13213012		ADJUSTING SCREW						1	
39		13123302		DIFFERENTIAL FEED SCREW SPRING						1	
40		13121306		ADJUSTING LINK						1	
41		RE0500000K0		E-RING 5						1	
42		13121256		SUPPORT SHAFT COLLAR ASM.						1	
43	R	13121207	13121256	SUPPORT SHAFT COLLAR					*	1	1.00
44		SS8110410TP		SCREW 11/64-40 L= 3.5					*	1	
45		13121900		DIFFERENTIAL FEED ROCKER						1	
46		SS6661110SP		SCREW 1/4-40 L=11						1	

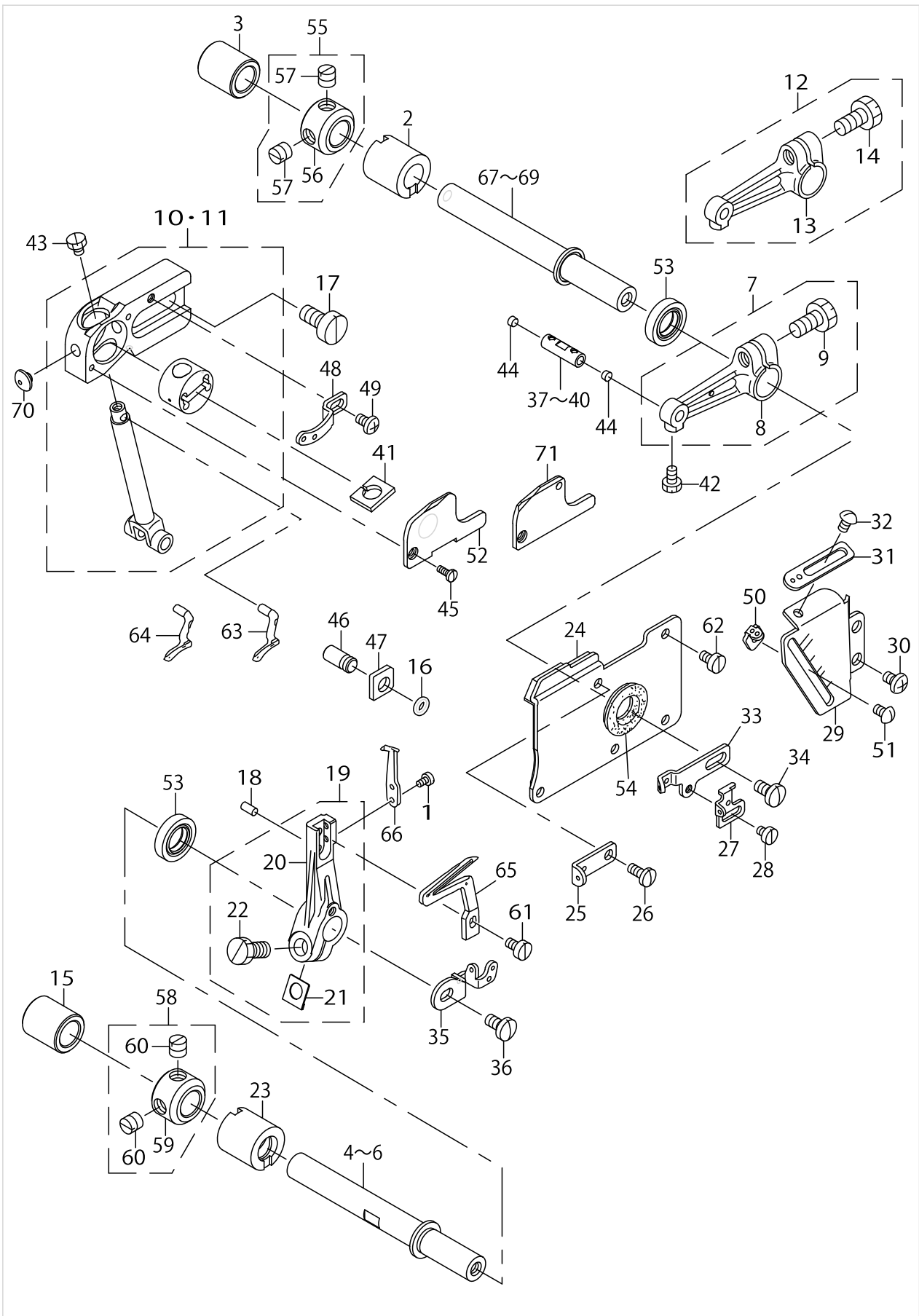
FEED MECHANISM COMPONENTS (2)



FEED MECHANISM COMPONENTS (2)

No.	Supply Code	Parts No.	Replacement	Parts name	Remarks	Choice	Step	Level	Cons	Qty	Rep. QTY
47		13217351		ROCKER SHAFT ASM.						1	
48		13170501		RUBBER RING						1	
49		13121603		ADJUSTING LEVER SPRING						1	
50		13218052		DIFFERENTIAL FEED ARM ASM.						1	
51		SS9111050SP		SCREW 11/64-40 L=9.5						1	
52		13121108		WASHER						1	
53		TA0800504R0		PLUG D=8 L=4.5						1	
54		13200902		FEED MECHANISM COVER PRESSER						1	
55		SS6080340SP		SCREW 1/8-44 L=2.9						1	
56		13218102		SLIDE BLOCK						1	
57		13217401		DIFFERENTIAL FEED HINGE SCREW						1	
58		13217500		DIFFERENTIAL FEED LOCK NUT						1	
59		SD0720271SP		HINGE SCREW D=7,2 H=2,7						1	
60		SM4041055SP		SCREW M4 L=10						4	
61		WP0460556SD		WASHER 4.6X7.5X0.5						1	
62		WP0480856SP		WASHER 4.8X8.4X0.8						4	
63		WP0621016SD		WASHER 6.2X13X1						1	
64		13191606		MAIN FEED DOG	FOR MO-6704D					1	
65		13192000		MAIN FEED DOG	FOR MO-6714D					1	
66		13192406		MAIN FEED DOG	FOR MO-6716D					1	
67		13192802		DIFFERENTIAL FEED DOG	FOR MO-6704D					1	
68		13193206		DIFFERENTIAL FEED DOG	FOR MO-6714D					1	
69		13193602		DIFFERENTIAL FEED DOG	FOR MO-6716D					1	
70		13191309		AUXILIARY FEED DOG	FOR MO-6-704D,MO-6714D					1	
71		13191408		AUXILIARY FEED DOG	FOR MO-6716D					1	

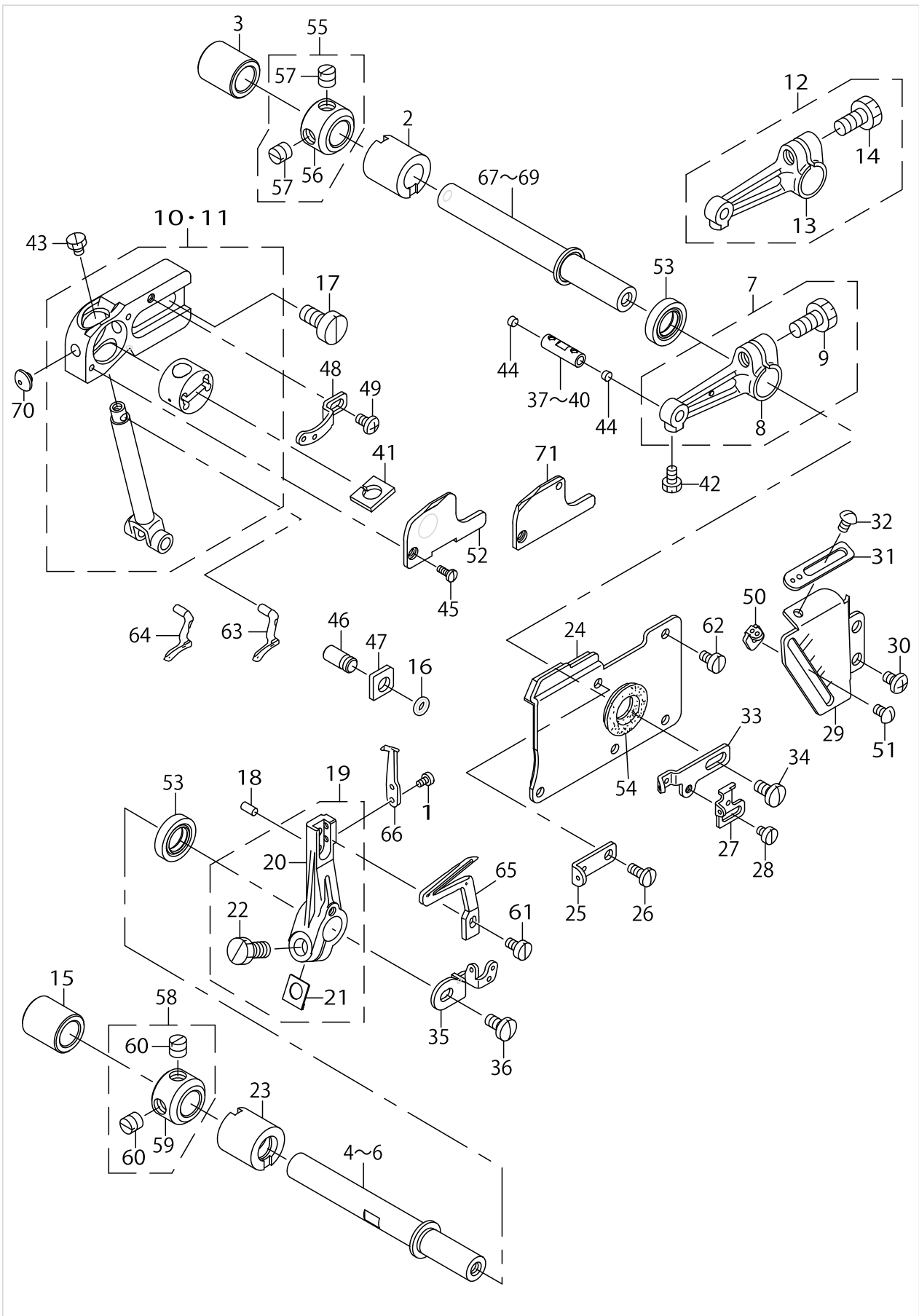
UPPER & LOWER LOOPER COMPONENTS



UPPER & LOWER LOOPER COMPONENTS

No.	Supply Code	Parts No.	Replacement	Parts name	Remarks	Choice	Step	Level	Cons	Qty	Rep. QTY
1		SS6060440TP		SCREW 3/32-56 L=3.5						2	
2		40004696		UPPER LOOPER SH- AFT FRONT METAL						1	
3		13222708		LOOPER SHAFT REAR BUSHING						1	
4		13221700		LOWER LOOPER SHAFT A	SELECTIVE PARTS					1	
5		13221809		LOWER LOOPER SHAFT B	SELECTIVE PARTS					1	
6		13221908		LOWER LOOPER SHAFT C	SELECTIVE PARTS					1	
7		13131156		UPPER LOOPER ARM B ASM.	FOR MO-6714D					1	
8	R	13131107	13131156	UPPER LOOPER ARM B				*		1	1.00
9		SS9151210TP		SCREW 15/64-28 L=11.8				*		1	
10	R	40039400	40093342	GUIDE SUPPORT A ASM.	FOR MO-6- 704D,MO-6716D					1	1.00
11		40039401		GUIDE SUPPORT B ASM	FOR MO-6714D					1	
12		13131057		UPPER LOOPER ARM A ASM.	FOR MO-6- 704D,MO-6716D					1	
13	R	13131008	13131057	UPPER LOOPER ARM A				*		1	1.00
14		SS9151210TP		SCREW 15/64-28 L=11.8				*		1	
15		13222708		LOOPER SHAFT REAR BUSHING						1	
16		13170600		RUBBER RING						1	
17		SM6061200SP		SCREW M6 L=12						2	
18		PS0300062KH		SPRING PIN 3X6						1	
19		13132550		LOWER LOOPER SU- Pपोर्ट ARM ASM.						1	
20	R	13132501	13132550	LOWER LOOPER SUPPORT ARM				*		1	1.00
21		13129309		WASHER				*		1	
22		SS9151210TP		SCREW 15/64-28 L=11.8				*		1	
23		13222609		LOWER LOOPER SH- AFT FRONT METAL						1	
24		13133053		OIL SHIELD PLATE ASM.						1	
25		12340600		UPPER LOOPER THREAD GUIDE						1	
26		SS7090850SP		SCREW 9/64-40 L=8						1	
27		12340709		LOWER LOOPER TH- READ TAKE-UP						1	
28		SS6080410SP		SCREW 1/8-44 L=4						1	
29		13222401		LOOPER THREAD T- AKE-UP COVER						1	
30		SM4040655SP		SCREW M4 L=6						2	
31		12340303		THREAD GUIDE, RIGHT						1	
32		SS3090610SP		SCREW 9/64-40 L=6						1	
33		12340402		THREAD TAKE-UP,RIGHT						1	
34		SS7110840SP		SCREW 11/64-40 L=7.8						1	
35		13132907		LOOPER THREAD TAKE-UP, LEFT						1	
36		SS7110840SP		SCREW 11/64-40 L=7.8						1	
37		40004716		UPPER LOOPER HOLDER PIN A	SELECTIVE PARTS					1	
38		40004718		UPPER LOOPER HOLDER PIN B	SELECTIVE PARTS					1	
39		40004720		UPPER LOOPER HOLDER PIN C	SELECTIVE PARTS					1	
40		40004722		UPPER LOOPER HOLDER PIN D	SELECTIVE PARTS					1	
41		40004751		UPPER LOOPER GUIDE FELT						1	
42		SS9090610TP		SCREW 9/64-40 L=5.5						1	
43		SS9090410TP		SCREW						1	
44		40004580		NEEDLE DRIVING ARM PIN PLUG						2	

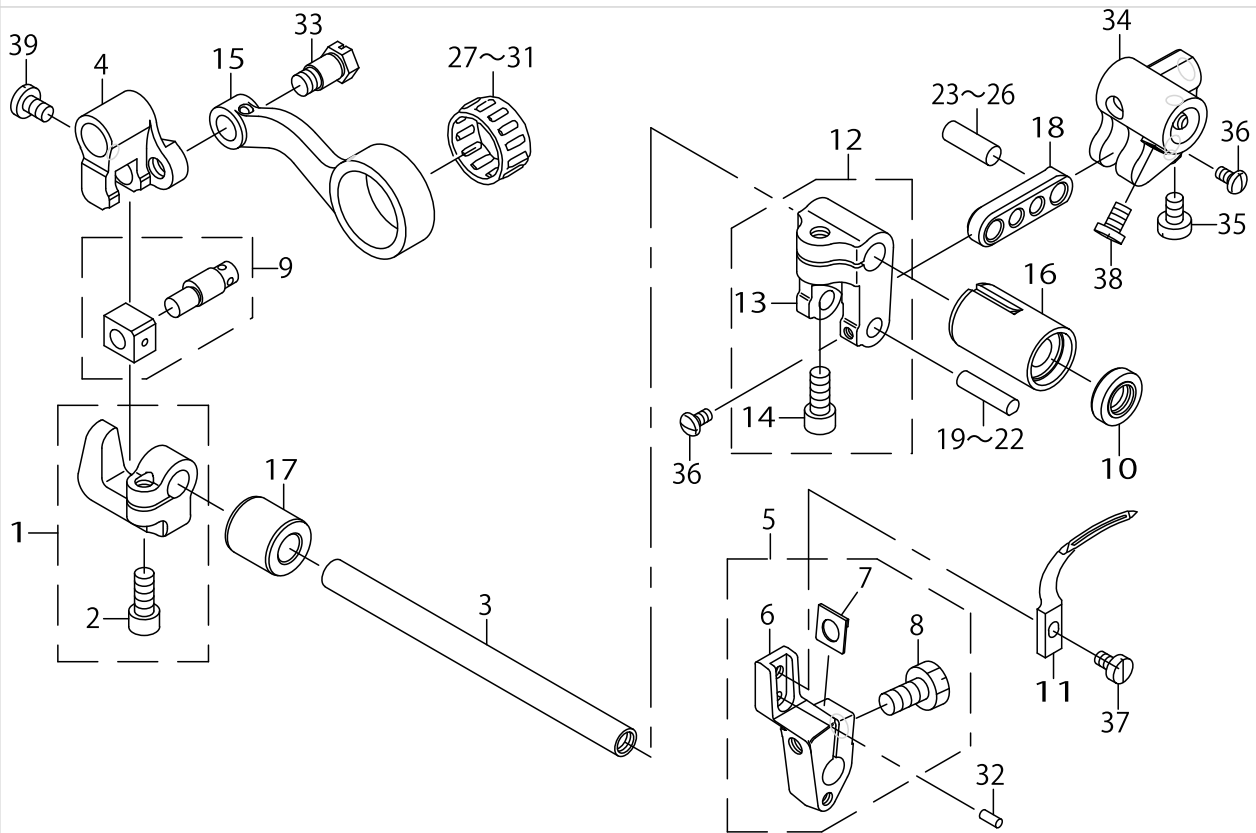
UPPER & LOWER LOOPER COMPONENTS



UPPER & LOWER LOOPER COMPONENTS

No.	Supply Code	Parts No.	Replacement	Parts name	Remarks	Choice	Step	Level	Cons	Qty	Rep. QTY
45		SS7060610SP		SCREW 3/32-56 L=5.5						2	
46		13131800		GAUGE FIXING PIN						1	
47		13132006		GUIDE SUPPORT GAUGE						1	
48		12340501		THREAD GUIDE, UPPER						1	
49		SS4090615SP		SCREW 9/64-40 L=6						1	
50		12340808		THREAD GUIDE						1	
51		SS3090610SP		SCREW 9/64-40 L=6						1	
52		40004713		UPPER LOOPER GUIDE COVER A	FOR MO-6-704D,MO-6716D					1	
53		40032565		OIL SEAL						2	
54		B2530704000		UPPER LOOPER SH-AFT RUBBER RING						1	
55	R	13172853	CS1031210SH	THRUST COLLAR ASM.						1	1.00
56		13172804		THRUST COLLAR				*		1	
57		SS8660610TP		SCREW 1/4-40 L=6				*		2	
58	R	13172853	CS1031210SH	THRUST COLLAR ASM.	FOR MO-6-704D,MO-6714D					1	1.00
59		13172804		THRUST COLLAR				*		1	
60		SS8660610TP		SCREW 1/4-40 L=6				*		2	
61		SS6090620TP		SCREW						1	
62		SS6090630TP		SCREW 9/64-40 L=6						4	
63		11991908		UPPER LOOPER	FOR MO-6-704D,MO-6716D					1	
64		12176103		UPPER LOOPER	FOR MO-6714D					1	
65		11999307		LOWER LOOPER						1	
66		11890001		TRAVELING NEEDLE GUARD						1	
67		40004692		UPPER LOOPER SHAFT A	SELECTIVE PARTS					1	
68		40004693		UPPER LOOPER SHAFT B	SELECTIVE PARTS					1	
69		40004694		UPPER LOOPER SHAFT C.	SELECTIVE PARTS					1	
70		13204003		SAFETY PLATE BUSH						1	
71		40004714		UPPER LOOPER GUIDE COVER B	FOR MO-6714D					1	

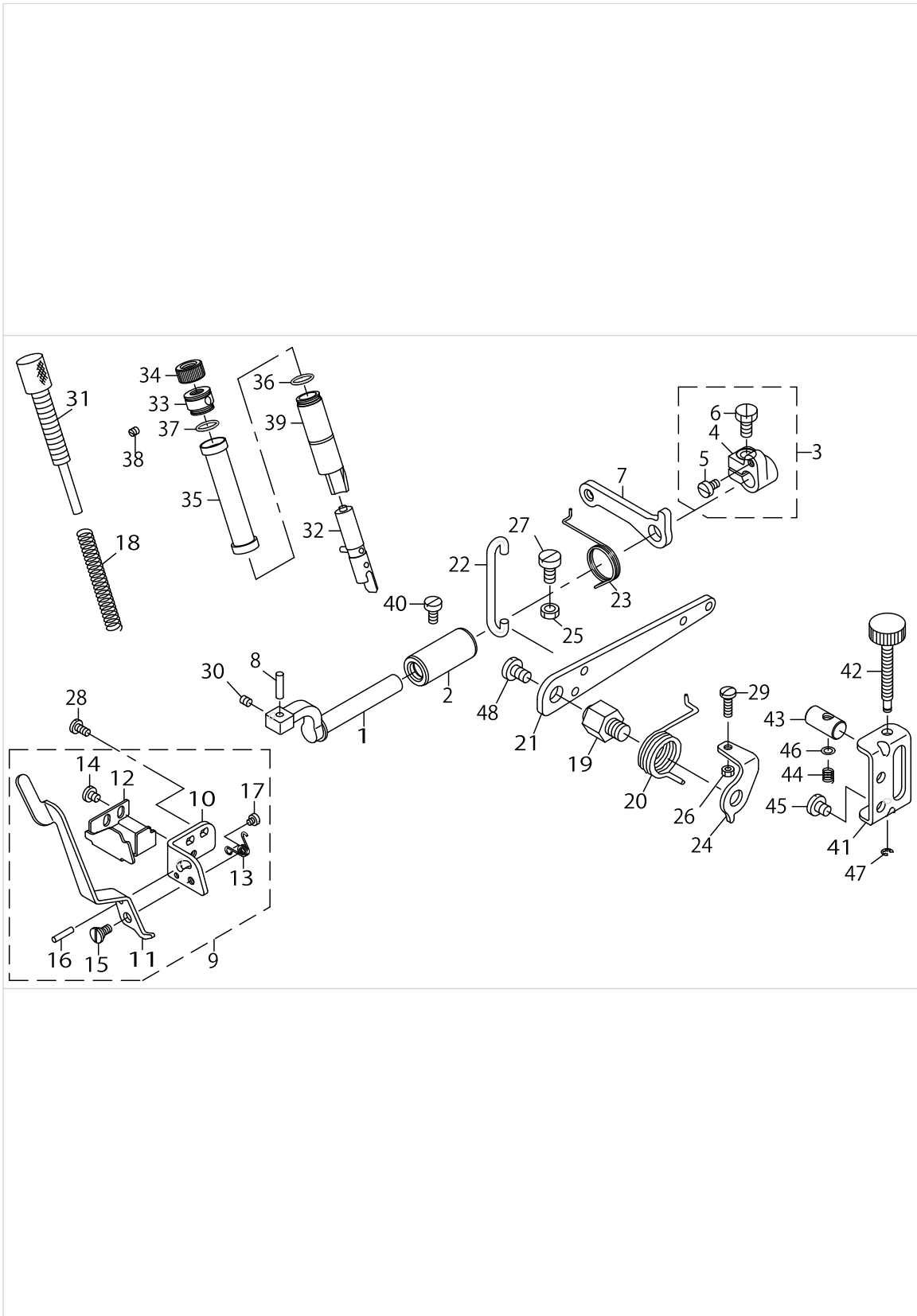
CHAIN LOOPER COMPONENTS (FOR MO-6716D)



CHAIN LOOPER COMPONENTS (FOR MO-6716D)

No.	Supply Code	Parts No.	Replacement	Parts name	Remarks	Choice	Step	Level	Cons	Qty	Rep. QTY
1		13129853		BRACKET ASM.						1	
2		SM6051202TP		SCREW M5X0.8 L=12				*		1	
3		13126909		CHAIN LOOPER SHAFT						1	
4		13126008		FRONT-AND-REAR ARM						1	
5		13129952		CHAIN LOOPER DRIVING ARM ASM.						1	
6	R	13129903	13129952	CHAIN LOOPER DRIVING ARM				*		1	1.00
7		13129309		WASHER				*		1	
8		SS9151210TP		SCREW 15/64-28 L=11.8				*		1	
9		13126354		SLIDE BLOCK PIN ASM.						1	
10		40010805		OIL SEAL RING						1	
11		12120705		CHAIN LOOPER						1	
12		13125950		CHAIN LOOPER DRIVING ARM ASM.						1	
13		13125901		CHAIN LOOPER DRIVING ARM				*		1	
14		SM6051202TP		SCREW M5X0.8 L=12				*		1	
15		13220009		CHAIN LOOPER ROD						1	
16		13128103		BUSHING, FORNT						1	
17		13127006		BUSHING, REAR						1	
18		13127105		CHAIN LOOPER SHAFT DRIV. LINK						1	
19		13126503		PIN , LONG A	SELECTIVE PARTS					1	
20		13126602		PIN , LONG B	SELECTIVE PARTS					1	
21		13126701		PIN , LONG C	SELECTIVE PARTS					1	
22		13126800		PIN , LONG D	SELECTIVE PARTS					1	
23		13127204		PIN , SHORT A	SELECTIVE PARTS					1	
24		13127303		PIN , SHORT B	SELECTIVE PARTS					1	
25		13127402		PIN , SHORT C	SELECTIVE PARTS					1	
26		13127501		PIN , SHORT D	SELECTIVE PARTS					1	
27		B2119816A00		BEARING A	SELECTIVE PARTS					1	
28		B2119816B00		BEARING B	SELECTIVE PARTS					1	
29		B2119816C00		BEARING C	SELECTIVE PARTS					1	
30		B2119816D00		BEARING D	SELECTIVE PARTS					1	
31	D	B2119816E00		BEARING E	SELECTIVE PARTS					1	
32		PS0250062KH		SPRING PIN 2.5X6						1	
33		SD0720803TH		STEP-SCREW D=7.24 H=8						1	
34	R	12121612	12121653	DRIVING BALL ARM BRACKET						1	1.00
35		SS6110710TP		SCREW 11/64-40 L= 6.5						1	
36		SS4080620TP		SCREW 1/8-44 L=6						2	
37		SS6090620TP		SCREW						1	
38		SS6110710TP		SCREW 11/64-40 L= 6.5						2	
39		SS7110720TP		SCREW 11/64-40 L=7						1	

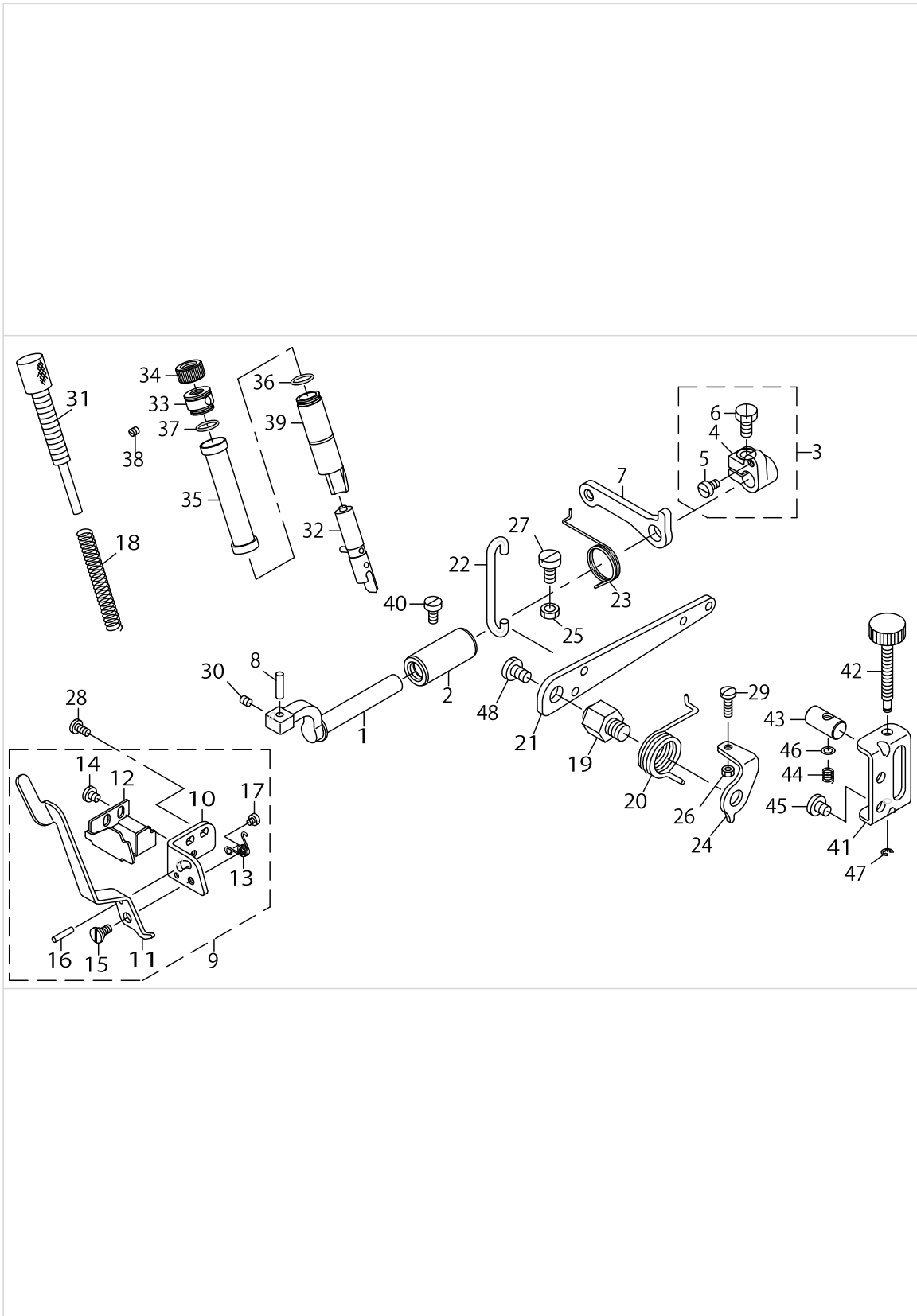
PRESSER FOOT COMPONENTS (1)



PRESSER FOOT COMPONENTS (1)

No.	Supply Code	Parts No.	Replacement	Parts name	Remarks	Choice	Step	Level	Cons	Qty	Rep. QTY
1		13115001		PRESSER FOOT SHAFT						1	
2		13115100		PRESSER FOOT SHAFT BUSHING						1	
3		13115258		THRUST ARM ASM.						1	
4	R	13115209	12113403	THRUST ARM				*		1	1.00
5		SS6110710TP		SCREW 11/64-40 L= 6.5				*		1	
6		SS9151210TP		SCREW 15/64-28 L=11.8				*		1	
7		13116801		LIFTING ARM						1	
8		13115407		PRESSER FOOT ARM HINGE SHAFT						1	
9		13115753		PRESSER LIFTING LEVER BASE ASM						1	
10		13115803		PRESSER LIFTING LEVER BASE				*		1	
11		13115902		PRESSER LIFTING LEVER				*		1	
12		13116009		PRESSER ARM STOPPER				*		1	
13		13116108		PRESSER FOOT LIFTING SPRING				*		1	
14		SS7110510SP		SCREW 11/64-40 L=5				*		2	
15		SD0640241SP		HINGE SCREW D= 6.35 H= 2.4				*		1	
16		PS0300142KH		SPRING PIN 0.3 X 14				*		1	
17		SS6080340SP		SCREW 1/8-44 L=2.9				*		1	
18		13116207		PRESSER FOOT SPRING						1	
19		13117007		PRESSER LIFTING LEVER SCREW						1	
20		13116306		PRESSER LIFTING LEVER SPRING						1	
21		13116900		PRESSER LIFTING LEVER						1	
22		13116405		PRESSER LIFTING HOOK						1	
23		13116504		LIFTING LEVER ARM SPRING						1	
24		13116603		PRESSER LIFTING LEVER SPRING						1	
25		NM6060003SC		NUT M6						1	
26		NS6110420SP		NUT 11/64-40						1	
27		SM6061200SP		SCREW M6 L=12						1	
28		SS7110840SP		SCREW 11/64-40 L=7.8						2	
29		SS7111410TP		SCREW 11/64-40 L=14						1	
30		SM8050412TP		SCREW M5 L=4						1	
31		40034897		PRESSER ADJUSTING SCREW						1	
32		13115654		PRESSER BAR ASM.						1	
33		12288700		PRESSER REGULATOR SCREW WASHER						1	
34		13117106		PRESSER REGULATOR NUT						1	
35		13212709		PRESSER BAR COVER						1	
36		13170402		RUBBER RING						2	
37		13170402		RUBBER RING						1	
38		SM8040402TP		SCREW M4X0.7 L=4						1	
39		13212501		PRESSER BAR BUSHING						1	
40		SS6121020SP		SCREW 3/16-28 L=9.5						1	
41		13212808		ADJUSTING BASE						1	
42		13213012		ADJUSTING SCREW						1	
43		13212915		ADJUSTING BLOCK						1	
44		13123302		ADJUSTING SPRING						1	
45		SS7150740SP		SCREW 15/64-28 L=7						2	

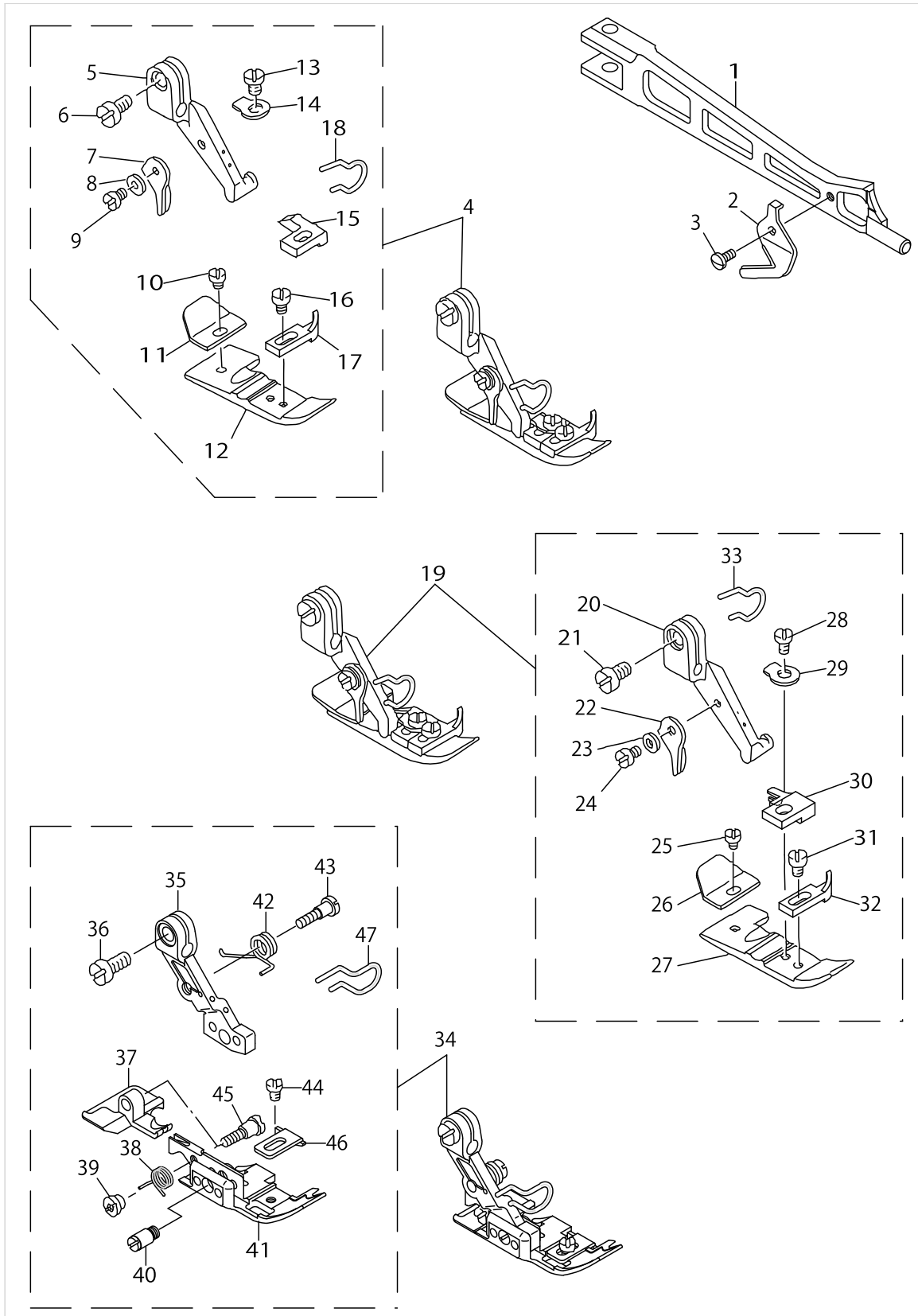
PRESSER FOOT COMPONENTS (1)



PRESSER FOOT COMPONENTS (1)

No.	Supply Code	Parts No.	Replacement	Parts name	Remarks	Choice	Step	Level	Cons	Qty	Rep. QTY
46		WP0460556SD		WASHER 4.6X7.5X0.5						1	
47		RE0300000K0		E-RING 3						1	
48		SS7161040SP		SCREW 1/4-24 L= 9.5						1	

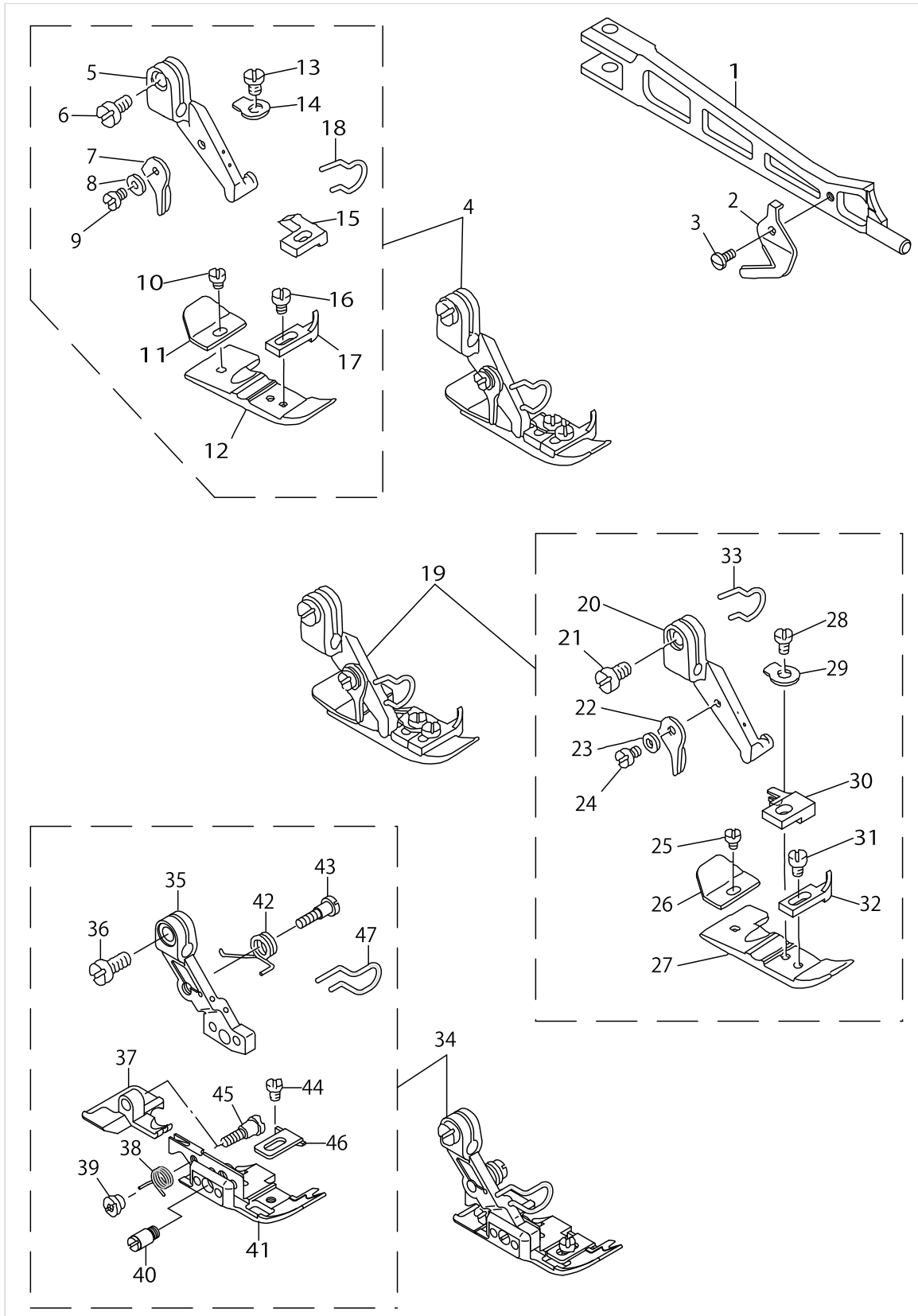
PRESSER FOOT COMPONENTS (2)



PRESSER FOOT COMPONENTS (2)

No.	Supply Code	Parts No.	Replacement	Parts name	Remarks	Choice	Step	Level	Cons	Qty	Rep. QTY
1		12253829		PRESSER FOOT ARM						1	
2		13116702		THREAD TRIMMER						1	
3		SS7060510SP		SCREW 3/32-56 L=4.8						1	
4		11876166		PRESSER FOOT ASM.	FOR MO-6704D					1	
5		11872009		PRESSER FOOT HINGE				*		1	
6		SS6090670TP		SCREW 9/64-40 L=6				*		1	
7		B1530804000		STOPPER				*		1	
8		WP0250516SD		WASHER 2.5X6X0.5				*		1	
9		SS7060610SP		SCREW 3/32-56 L=5.5				*		1	
10		SS6060210SP		SCREW 3/32-56 L=1.9				*		1	
11		B1511814000		REARPRESSERFOOT				*		1	
12		B1507804C00		PRESSER FOOT				*		1	
13		SS7080520SP		SCREW 1/8-44 L=4.9				*		1	
14		B150880400B		SPRING				*		1	
15		B1509804C00		STITCH TONGUE				*		1	
16		SS6060440TP		SCREW 3/32-56 L=3.5				*		1	
17		B1510814000		CURL GUARD				*		1	
18		13178306		FINGER GUIDE				*		1	
19		11876869		PRESSER FOOT ASM.	FOR MO-6714D					1	
20		11872009		PRESSER FOOT HINGE				*		1	
21		SS6090670TP		SCREW 9/64-40 L=6				*		1	
22		B1530804000		STOPPER				*		1	
23		WP0250516SD		WASHER 2.5X6X0.5				*		1	
24		SS7060610SP		SCREW 3/32-56 L=5.5				*		1	
25		SS6060210SP		SCREW 3/32-56 L=1.9				*		1	
26		B1511814000		REARPRESSERFOOT				*		1	
27		B150781400P		PRESSER FOOT				*		1	
28		SS7080520SP		SCREW 1/8-44 L=4.9				*		1	
29		B150880400B		SPRING				*		1	
30		B150981400P		STITCH TONGUE				*		1	
31		SS6060440TP		SCREW 3/32-56 L=3.5				*		1	
32		B1510814000		CURL GUARD				*		1	
33		13178306		FINGER GUIDE				*		1	
34		12153763		PRESSER FOOT ASM.	FOR MO-6716D					1	
35		12156907		PRESSER FOOT HINGE				*		1	
36	R	SS6090650SP	SS6090670TP	SCREW 9/64-40 L=6				*		1	1.00
37	R	12164802	12153763	REARPRESSERFOOT				*		1	1.00
38		12167805		SPRING, FOR REAR PRESSER FOOT				*		1	
39		B1513816000		NUT, FOR REAR PRESSER FOOT				*		1	
40		12167409		HINGE PIN				*		1	
41	R	12162202	12153763	PRESSER FOOT				*		1	1.00
42		12167607		PRESSER FOOT ARM SPRING				*		1	
43		12167508		HINGE SCREW				*		1	
44		SS6060340SP		SCREW 3/32-56 L=2.5				*		1	
45		B1514816000		SCREW				*		1	
46		12167706		PRESSER FOOT				*		1	

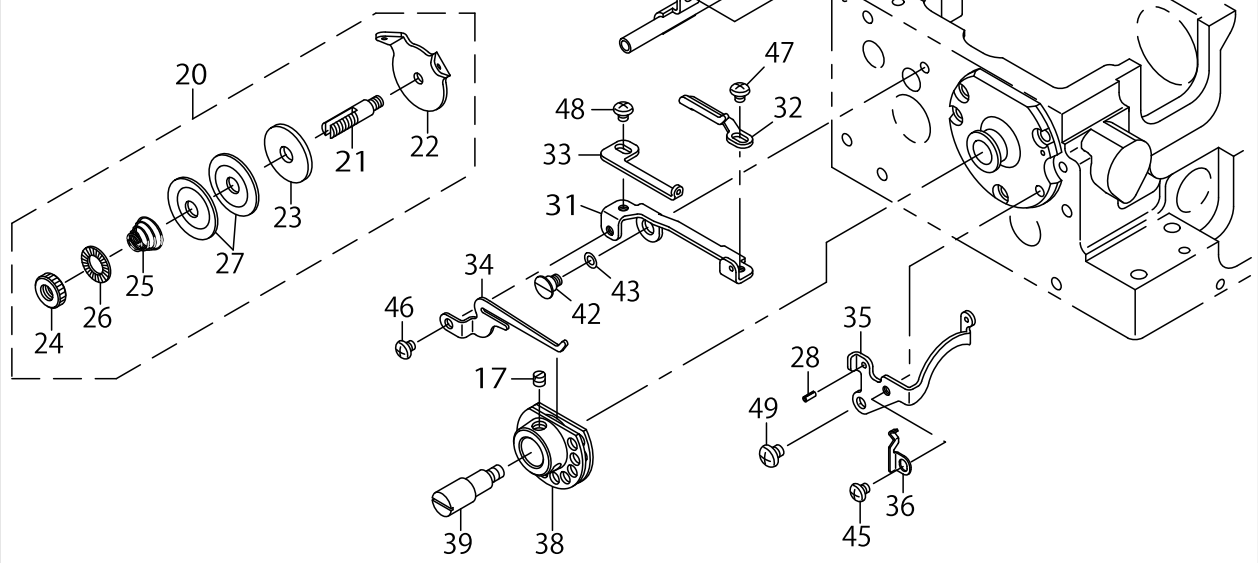
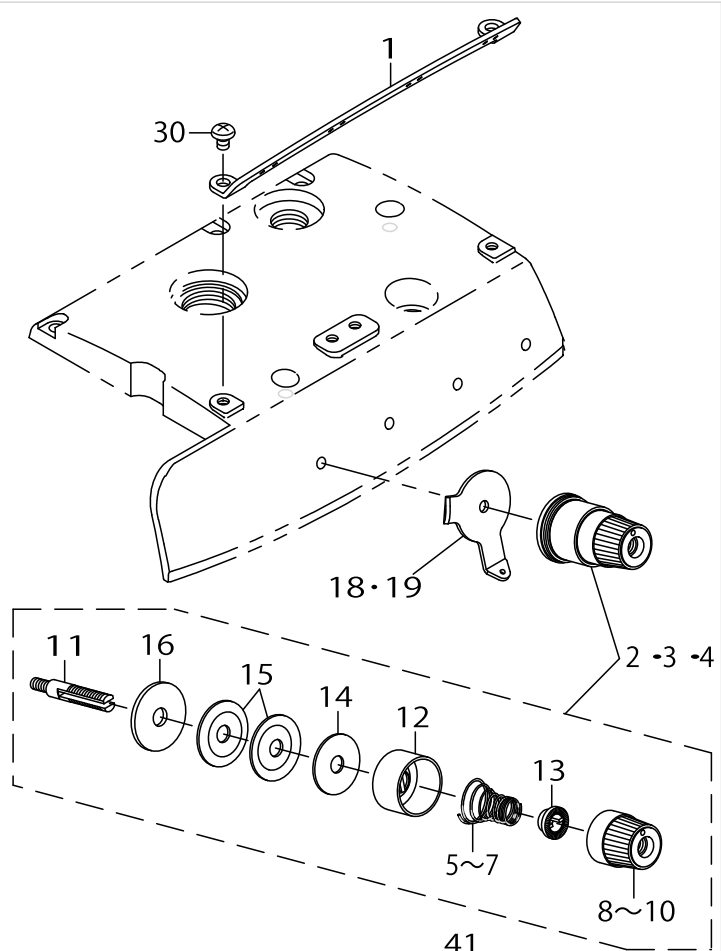
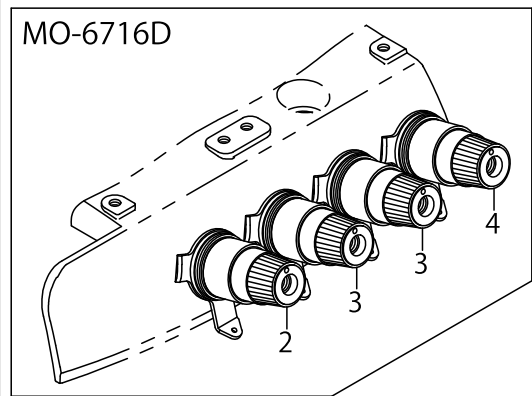
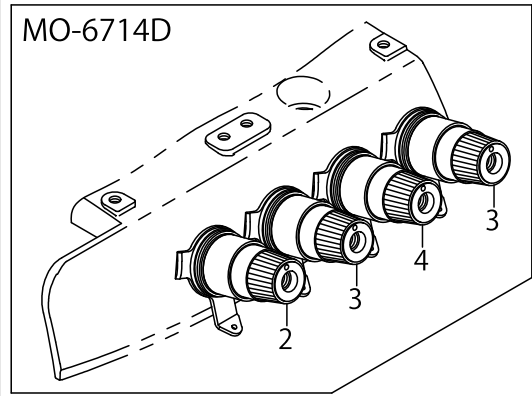
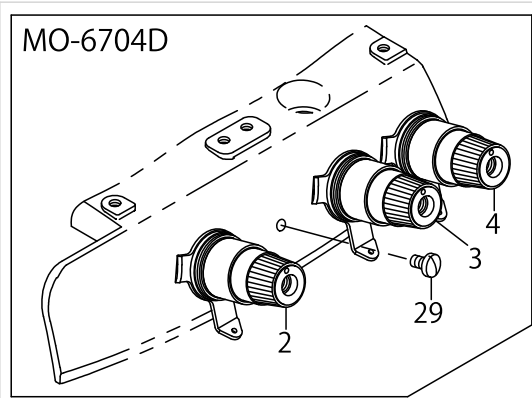
PRESSER FOOT COMPONENTS (2)



PRESSER FOOT COMPONENTS (2)

No.	Supply Code	Parts No.	Replacement	Parts name	Remarks	Choice	Step	Level	Cons	Qty	Rep. QTY
47		13178405		FINGER GUIDE				*		1	

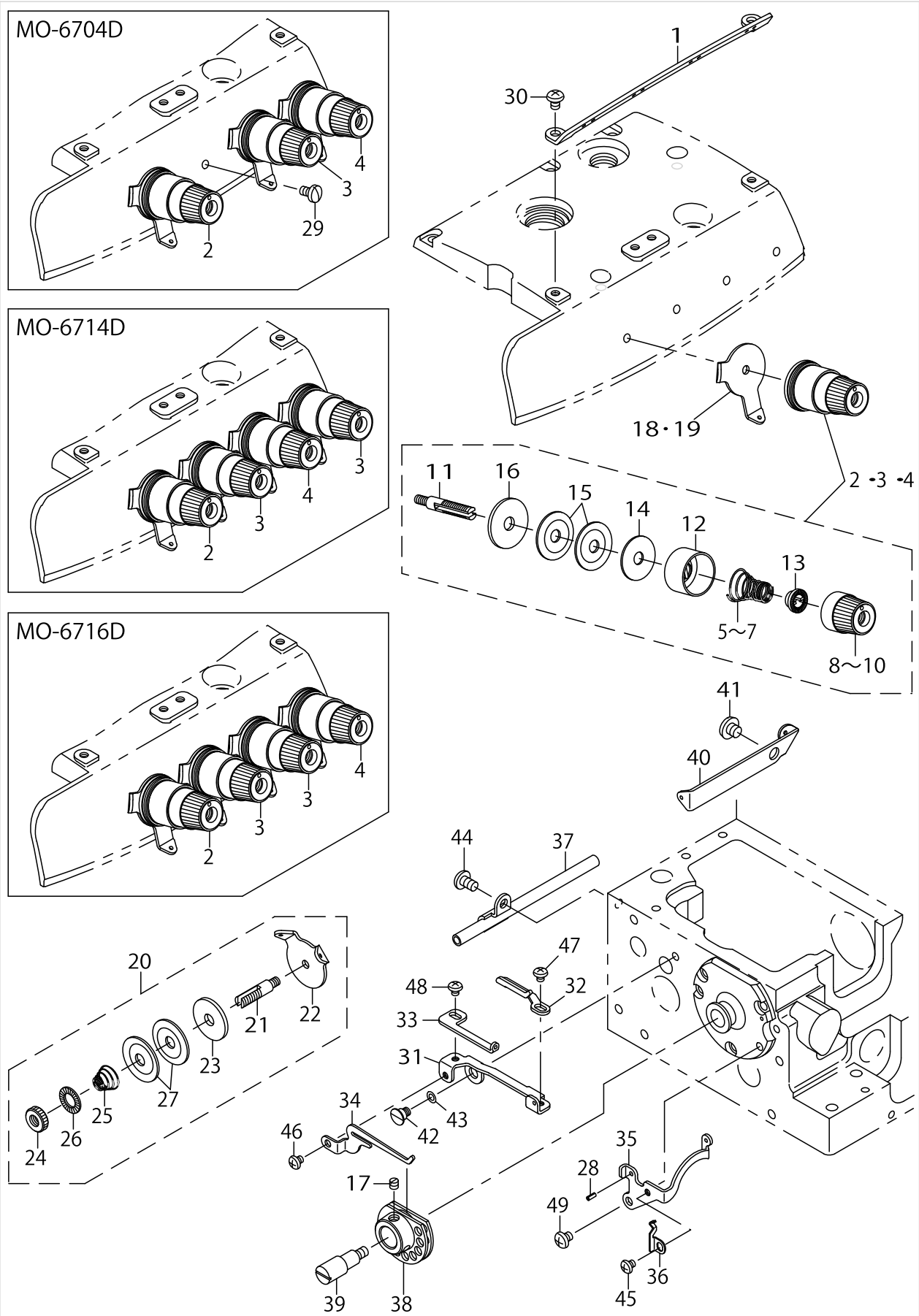
THREAD TENSION COMPONENTS



THREAD TENSION COMPONENTS

No.	Supply Code	Parts No.	Replacement	Parts name	Remarks	Choice	Step	Level	Cons	Qty	Rep. QTY
1		13225008		CENTER THREAD GUIDE						1	
2		13137559		THREAD TENSION SPRING COMPL.						1	
3		13138359		THREAD TENSION SPRING COMPL.	FOR MO-6-704D(1 PC. IS USED.) FOR MO-6-714D,MO-6-916D (2 PC. ARE USED.)					1	
4		13138656		THREAD TENSION SPRING COMPL.						1	
5		13137807		THREAD TENSION SPRING, RED				*		1	
6		13138508		THREAD TENSION SPRING, YELLOW				*		1	
7		13138805		THREAD TENSION SPRING, BLUE				*		1	
8		13137708		THREAD TENSION KNOB, RED				*		1	
9		13138409		THREAD TENSION KNOB, YELLOW				*		1	
10		13138706		THREAD TENSION KNOB, BLUE				*		1	
11	R	13138904	13137559	THREAD TENSION BAR		A	A:	*		1	1.00
11	R	13138904	13138359	THREAD TENSION BAR		B	B:	*		1	1.00
11	R	13138904	13138656	THREAD TENSION BAR		C	C:	*		1	1.00
12		13137609		THREAD TENSION DISK PRESSER				*		1	
13		13137906		SPRING BUSHING				*		1	
14		13138102		THREAD TENSION SPRING FELT				*		1	
15		13138201		THREAD TENSION DISK				*		2	
16		13138003		THREAD TENSION RUBBER WASHER				*		1	
17		SS8110410TP		SCREW 11/64-40 L= 3.5	FOR MO-6716D					2	
18		13225107		TESION DISK THREAD GUIDE	FOR MO-6704D					3	
19		13225107		TESION DISK THREAD GUIDE	FOR MO-6-714D,MO-6716D					4	
20		13139555		THREAD TENSION POST CONPL.	FOR MO-6716D					1	
21	R	13140009	13139555	THREAD TENSION POST				*		1	1.00
22		13139605		TESION DISK THREAD GUIDE				*		1	
23		13139902		THREAD TENSION SPRING FELT				*		1	
24		13139803		THREAD TENSION NUT				*		1	
25		13139704		THREAD TENSION SPRING				*		1	
26		22921407		ROTATION STOPPER				*		1	
27		13138201		THREAD TENSION DISK				*		2	
28		PS0200052KH		SPRING PIN 2.3X5	FOR MO-6716D					1	
29		SS7110710SL		SCREW 11/64-40 L=7.0	FOR MO-6704D					1	
30		SS4110615SP		SCREW 11/64-40 L=6						2	
31		13128202		THREAD CAM THRE-AD GUIDE BASE	FOR MO-6716D					1	
32		13128301		THREAD CAM THREAD GUIDE A	FOR MO-6716D					1	
33		13128400		THREAD CAM THREAD GUIDE B	FOR MO-6716D					1	
34		13128509		LOWER THREAD CAM HOOK	FOR MO-6716D					1	
35		13128608		LOWER THREAD GUIDE	FOR MO-6716D					1	
36		13128707		THREAD GUIDE BASE SPRING	FOR MO-6716D					1	
37		13129259		LOWER THREAD C-ONDUIT BASE ASM.	FOR MO-6716D					1	
38		13129457		LOWER THREAD CAM COMPL.	FOR MO-6716D					1	

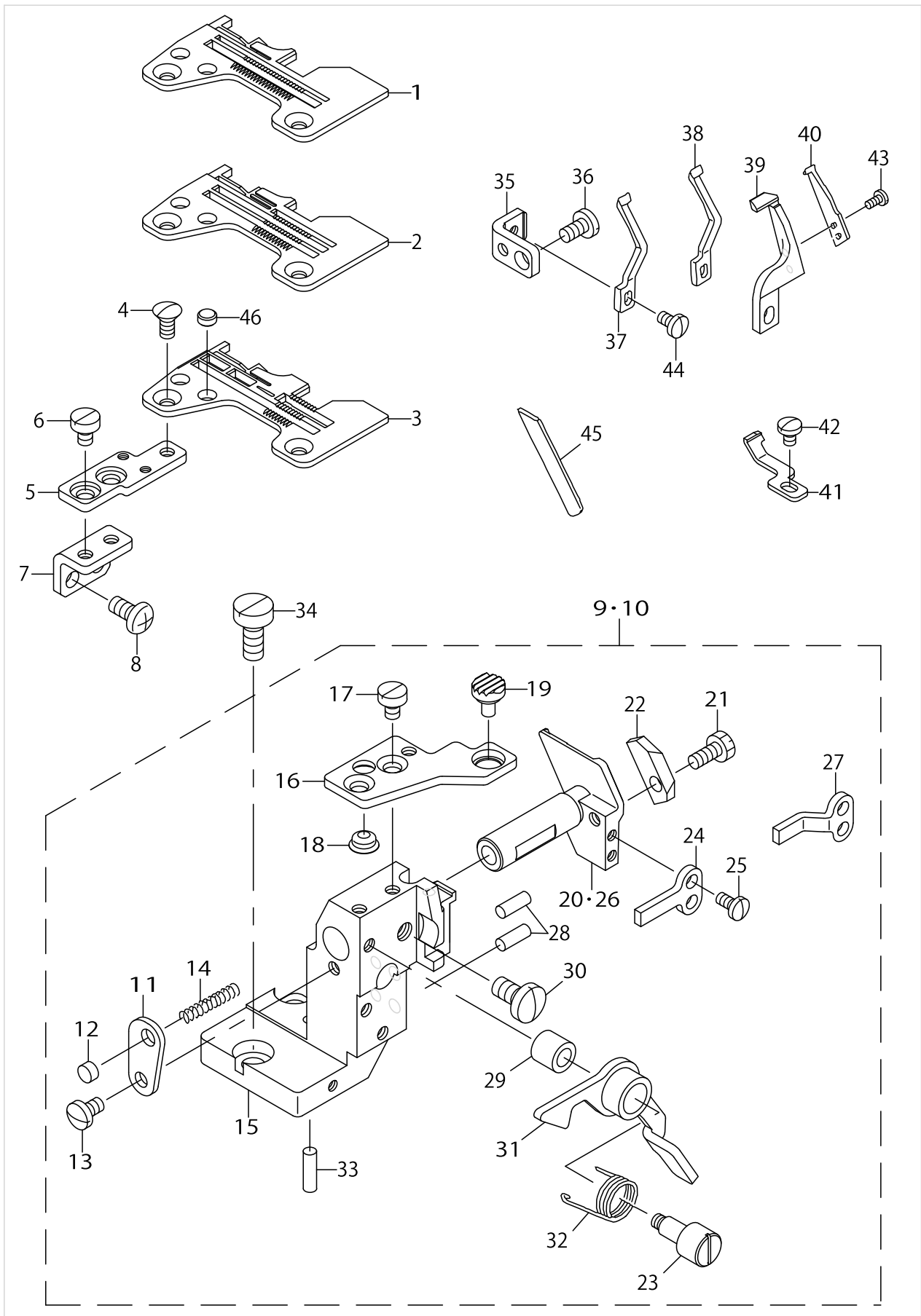
THREAD TENSION COMPONENTS



THREAD TENSION COMPONENTS

No.	Supply Code	Parts No.	Replacement	Parts name	Remarks	Choice	Step	Level	Cons	Qty	Rep. QTY
39	R	B2202816000	13130000	SHAFT	FOR MO-6716D					1	1.00
40		13129101		LOWER THREAD CONDUIT GUIDE	FOR MO-6716D					1	
41		SS5150510SP		SCREW 15/64-28 L=5	FOR MO-6716D					1	
42		SD0600341TP		HINGE SCREW D=6.0 H=3.4	FOR MO-6716D					1	
43		WZ0640312K0		WAVED WASHER	FOR MO-6716D					1	
44		SM4050855SP		SCREW M5 L=8	FOR MO-6716D					1	
45		SS4090415SP		SCREW 9/64-40 L=4	FOR MO-6716D					1	
46		SS4090415SP		SCREW 9/64-40 L=4	FOR MO-6716D					1	
47		SS4090415SP		SCREW 9/64-40 L=4	FOR MO-6716D					1	
48		SS4090415SP		SCREW 9/64-40 L=4	FOR MO-6716D					1	
49		SS4110515SP		SCREW 11/64-40 L=5	FOR MO-6716D					1	

LOWER KNIFE COMPONENTS

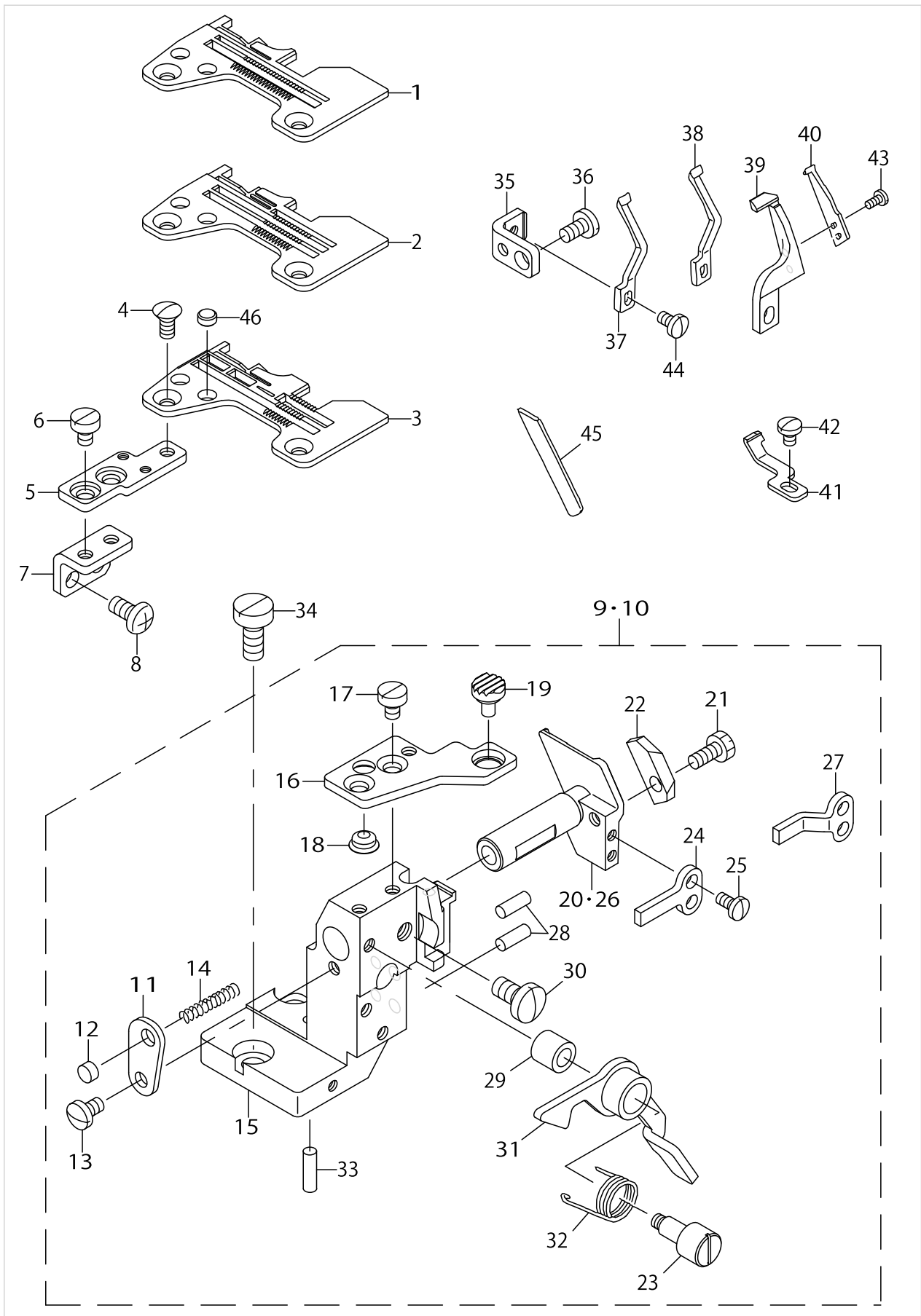


LOWER KNIFE COMPONENTS

No.	Supply Code	Parts No.	Replacement	Parts name	Remarks	Choice	Step	Level	Cons	Qty	Rep. QTY
1		R4200J6ED00		THROAT PLATE	FOR MO-6704D					1	
2		R4305J6EE00		THROAT PLATE	FOR MO-6714D					1	
3		R4508J6ED00		THROAT PLATE	FOR MO-6716D					1	
4		SS2110910SL		SCREW 11/64-40 L=9						2	
5		13151204		THROAT PLATE BASE B						1	
6		SS6110610TP		SCREW 11/64-40 L=6						2	
7		12288908		THROAT PLATE BASE B SUPPORT						1	
8		SM4051055SP		SCREW						2	
9		13232657		LOWER KNIFE BRACKET ASM.	FOR MO-6-704D,MO-6714D					1	
10		13232756		LOWER KNIFE BRACKET ASM.	FOR MO-6716D					1	
11		13149307		SPRING STOPPER				*		1	
12		13102702		THROAT PLATE COVER				*		1	
13		SS7110720SP		SCREW 11/64-40 L=7				*		1	
14		13148101		SPRING				*		1	
15	R	13149406	13232657	LOWER KNIFE BRACKET		A		*		1	1.00
15	R	13149406	13232756	LOWER KNIFE BRACKET		B		*		1	1.00
16		13148309		THROAT PLATE BASE A				*		1	
17		SS6110610TP		SCREW 11/64-40 L=6				*		2	
18		13149109		RUBBER PLUG B				*		1	
19		13235304		RUBBER PLUG A				*		1	
20		13149505		LOWER KNIFE SLIDE STUD	FOR MO-6-704D,MO-6714D			*		1	
21		SS9111010SP		SCREW 11/64-40 L=9.5				*		1	
22		13149208		LOWER KNIFE PRESSER PLATE				*		1	
23		13148408		LEVER SHAFT				*		1	
24		13149703		ROTATING STOPPER	FOR MO-6-704D,MO-6714D			*		1	
25		SS7090710SP		SCREW 9/64-40 L=6.8				*		2	
26		13149604		LOWER KNIFE SLIDE STUD	FOR MO-6716D			*		1	
27		13149802		ROTATING STOPPER	FOR MO-6716D			*		1	
28		13149901		HOLDER PIN				*		2	
29		13148903		RUBBER PLUG				*		1	
30		SS7151120SP		SCREW 15/64-28L=11				*		1	
31		13148556		LEVER ASM.				*		1	
32		13148804		LIVER SPRING				*		1	
33		13149901		HOLDER PIN				*		1	
34		SS6151440SP		SCREW 15/64-28L=14						2	
35		13151105		NEEDLE HOLDER SUPPORT						1	
36		SS7110840SP		SCREW 11/64-40 L=7.8						1	
37		11890100		NEEDLE GUARD	FOR MO-6704D					1	
38		11890308		NEEDLE GUARD	FOR MO-6714D					1	
39		12015301		NEEDLE HOLDER	FOR MO-6716D					1	
40		12015400		NEEDLE HOLDER	FOR MO-6716D					1	
41		12177903		NEEDLE HOLDER	FOR MO-6716D					1	
42		SS7090510SP		SCREW 9/64-40 L=4.6	FOR MO-6716D					1	

オーバ-ロッカー用(~04,~14-)/For Overlock (04/14)
 インターロッカー用(~16)/For Safety stitch (16)

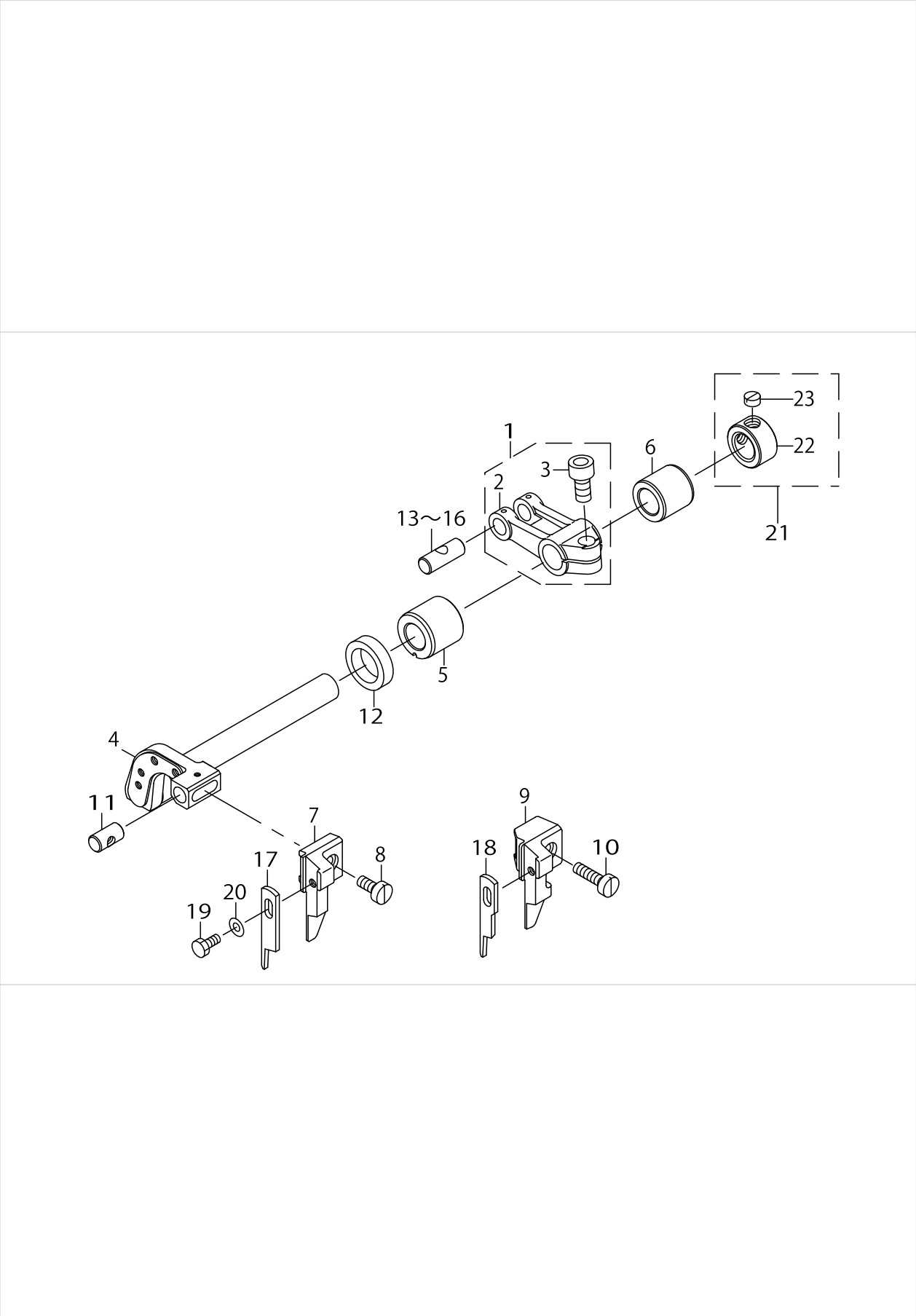
LOWER KNIFE COMPONENTS



LOWER KNIFE COMPONENTS

No.	Supply Code	Parts No.	Replacement	Parts name	Remarks	Choice	Step	Level	Cons	Qty	Rep. QTY
43		SS7060510SP		SCREW 3/32-56 L=4.8	FOR MO-6716D					2	
44		SS7090610SP		SCREW 9/64-40 L=6						1	
45		13150701		LOWER KNIFE						1	
46		13102702		THROAT PLATE COVER						2	

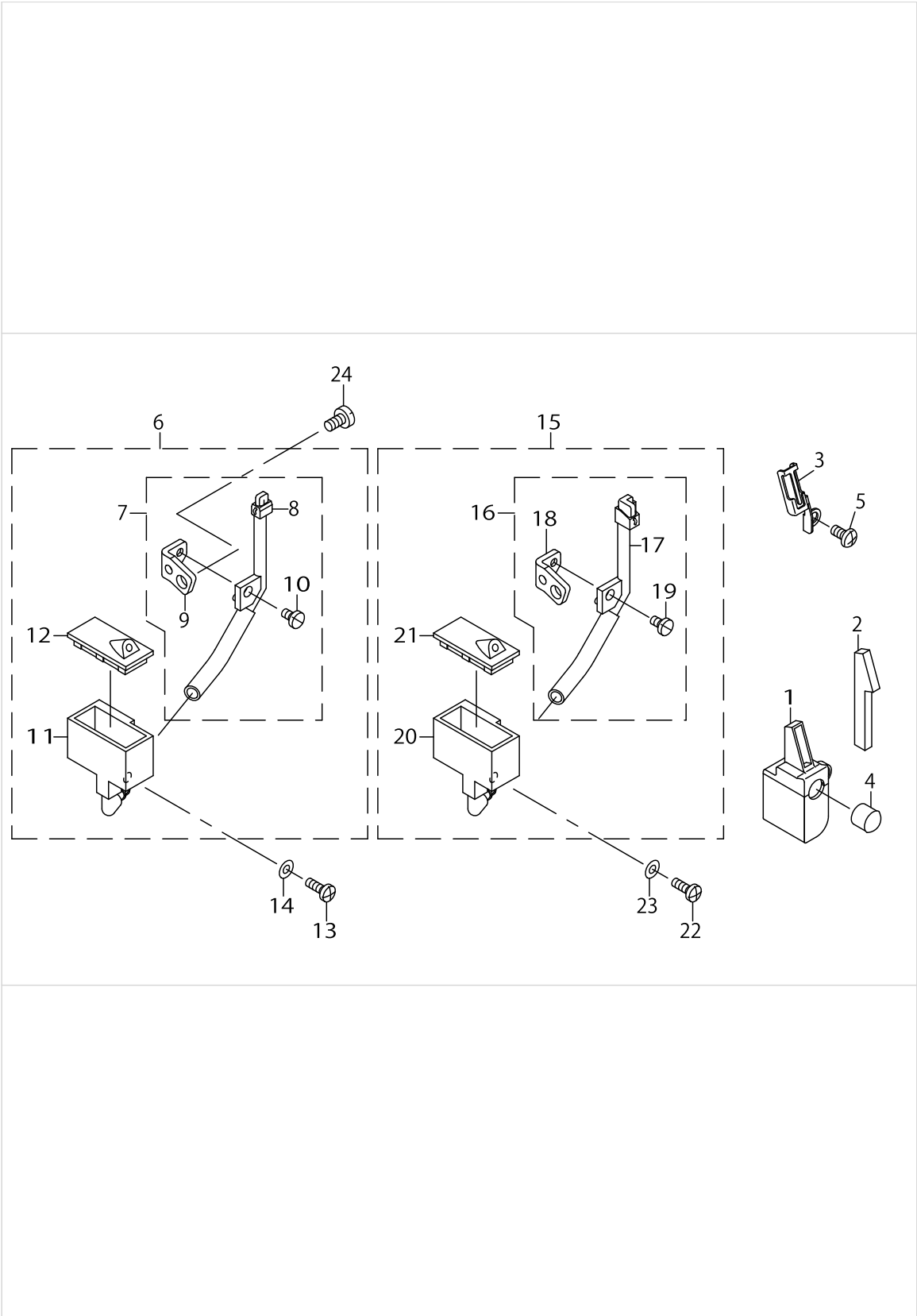
UPPER KNIFE COMPONENTS



UPPER KNIFE COMPONENTS

No.	Supply Code	Parts No.	Replacement	Parts name	Remarks	Choice	Step	Level	Cons	Qty	Rep. QTY
1		13147558		FEED FORKED ARM ASM.						1	
2	R	13147509	13147558	FEED FORKED ARM				*		1	1.00
3		SM6061402TP		SCREW M6 L=14				*		1	
4		13151303		KNIFE DRIVING ARM SHAFT						1	
5		13150909		BUSHING, FRONT						1	
6		13151006		BUSHING, REAR						1	
7		13147400		PLAIN KNIFE SUPPORT A	FOR MO-6-704D,MO-6714D					1	
8		SS6111040SP		SCREW 11/64-40 L= 9.5	FOR MO-6-704D,MO-6714D					1	
9		13147301		PLAIN KNIFE SUPPORT	FOR MO-6716D					1	
10		SS6111610SP		SCREW 11/64-40 L=16	FOR MO-6716D					1	
11		13150800		UPPER KNIFE GUIDE SHAFT						1	
12		11566809		OIL SEAL						1	
13		13122007		CRANK PIN A	SELECTIVE PARTS					1	
14		13122106		CRANK PIN B	SELECTIVE PARTS					1	
15		13122205		CRANK PIN C	SELECTIVE PARTS					1	
16		13122304		CRANK PIN D	SELECTIVE PARTS					1	
17		13150503		PLAIN KNIFE	FOR MO-6-704D,MO-6714D					1	
18		13150602		PLAIN KNIFE	FOR MO-6716D					1	
19		SS9090823TP		BOLT 9/64-40 L=8						1	
20		WP0370316SD		WASHER 3.7X8X0.3						1	
21		CS111101HSH		THRUST COLLAR ASM.						1	
22		CS1111019SH		THRUST COLLAR D=11.11 W=10				*		1	
23		SS8660330SP		SCREW 1/4-40 L= 3.0				*		1	

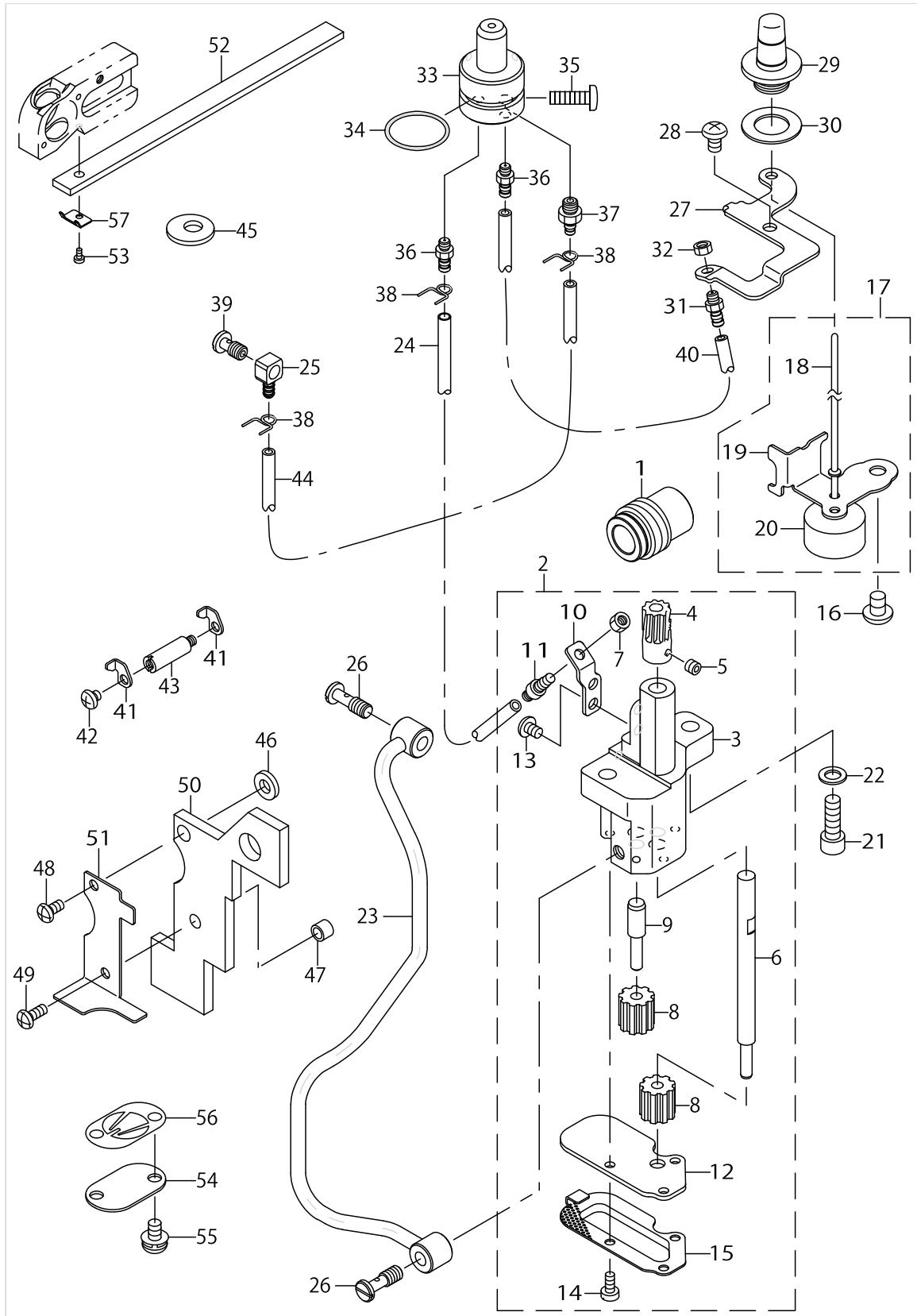
NEEDLE COOLING MECHANISM COMPONENTS (FOR SH)



NEEDLE COOLING MECHANISM COMPONENTS (FOR SH)

No.	Supply Code	Parts No.	Replacement	Parts name	Remarks	Choice	Step	Level	Cons	Qty	Rep. QTY
1		13163456		SILICON TANK ASM.						1	
2		13163803		NEEDLE THREAD FELT						1	
3		13163902		NEEDLE THREAD FELT PRESSER						1	
4		TA0950806R0		RUBBER PLUG						1	
5		SM4040855SP		SCREW						1	
6		13162557		NEEDLE COOLER U-NIT ASM. (OVER)	FOR MO-6-704D,MO-6714D					1	
7	R	13162565	13162581	NEEDLE COOLER UNIT COMPL.				*		1	1.00
8	R	13162573	13162581	NEEDLE COOLER U-NIT ASM. (OVER)				*		1	1.00
9		13162805		NEEDLE COOLER SUPPORT				*		1	
10		SS7090610SP		SCREW 9/64-40 L=6				*		1	
11		13162904		TANK				*		1	
12		13163001		TANK COVER				*		1	
13		SS4091015SP		SCREW 9/64-40 L=10						1	
14		WP0371026SD		WASHER 3.7X7X1						1	
15		13163159		NEEDLE COOLER U-NIT ASM.(INTER)	FOR MO-6716D					1	
16	R	13163167	13163183	NEEDLE COOLER COMPL.(INTER)				*		1	1.00
17	R	13163175	13163183	NEEDLE COOLER ASM.(INTER)				*		1	1.00
18		13162805		NEEDLE COOLER SUPPORT				*		1	
19		SS7090610SP		SCREW 9/64-40 L=6				*		1	
20		13162904		TANK				*		1	
21		13163001		TANK COVER				*		1	
22		SS4091015SP		SCREW 9/64-40 L=10						1	
23		WP0371026SD		WASHER 3.7X7X1						1	
24		SS7110840SP		SCREW 11/64-40 L=7.8						1	

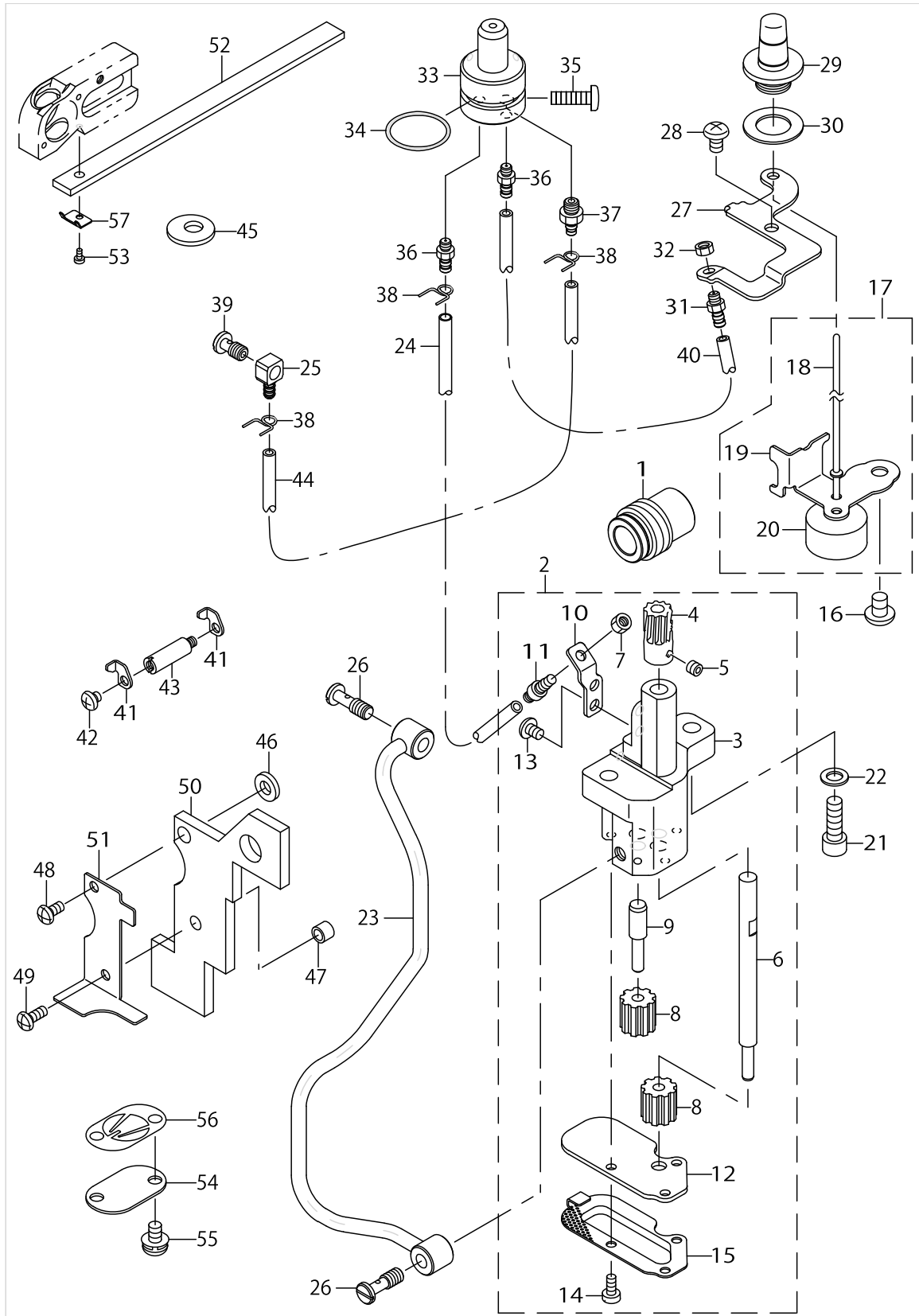
LUBRICATION MECHANISM COMPONENTS



LUBRICATION MECHANISM COMPONENTS

No.	Supply Code	Parts No.	Replacement	Parts name	Remarks	Choice	Step	Level	Cons	Qty	Rep. QTY
1		13230305		WORM						1	
2	R	40032580	40109455	OIL PUMP ASM.						1	1.00
3		40032581		OIL PUMP BODY				*		1	
4		13343009		WORM WHEEL				*		1	
5		SM8050412TP		SCREW M5 L=4				*		2	
6		13228002		GEAR PUMP SHAFT ,LARGE				*		1	
7		NS6110310SP		NUT 11/64-40				*		1	
8		13228200		OIL PUMP PINION ,LARGE				*		2	
9		13227905		GEAR PUMP SHAFT ,SMALL				*		1	
10		12129318		CONNECTING SCREW BRACKET				*		1	
11		SQ1110451MZ		CONNECTING SCREW				*		1	
12	R	40016762	40018044	PUMP COVER		A	MO-6700.6900G.S	*		1	1.00
12	R	40016762	40018045	PUMP COVER		B	MO-6900C.J.R	*		1	1.00
12	R	40016762	40109455	PUMP COVER				*		1	1.00
13		SS4110615SP		SCREW 11/64-40 L=6				*		2	
14		SS6090810SP		SCREW 9/64-40 L= 7.5				*		3	
15		40016763		PUMP NET				*		1	
16		SM4060801SE		SCREW						1	
17		13229356		FLOAT ASM.						1	
18		12129904		OIL GAUGE BAR				*		1	
19		13229307		FLOAT SUPPORT				*		1	
20		12129805		FLOAT				*		1	
21		SM6061802TP		SCREW M6 L=18						2	
22		WP0651056SD		WASHER 6.5X11X1						2	
23		13228655		LUBRICATION MEC- HANISM PIPE ASM						1	
24		BP30000010R		VINYL PIPE						.18	
25		SQ0000451MZ		CONNECTING SCREW						1	
26		SQ1150454SD		CONNECTING SCREW						2	
27	D	13143805		EXHAUST PORT SUPPORT						1	
28		SM4050855SP		SCREW						1	
29		13143300		OIL GAUGE						1	
30		13144001		OIL GAUGE GASKET						1	
31		SQ1110451MZ		CONNECTING SCREW						1	
32		NS6110310SP		NUT 11/64-40						1	
33		13142955		FILTER GUIDE ASM.						1	
34		13170808		RUBBER RING						1	
35		SM4051601SC		SCREW M5X0.8 L=16						1	
36		SQ1110451MZ		CONNECTING SCREW						2	
37		SQ1150451MZ		CONNECTING SCREW						1	
38		13142609		OIL TUBE HOLDER						3	
39		SQ1150441SD		CONNECTING SCREW						1	
40		23630007		TUBE						.17	
41		13228903		OIL FELT PRESSER						2	
42		31018005		SCREW						1	
43		13229000		FELT PRESSER SPACER						1	
44		BP30000010R		VINYL PIPE						.29	

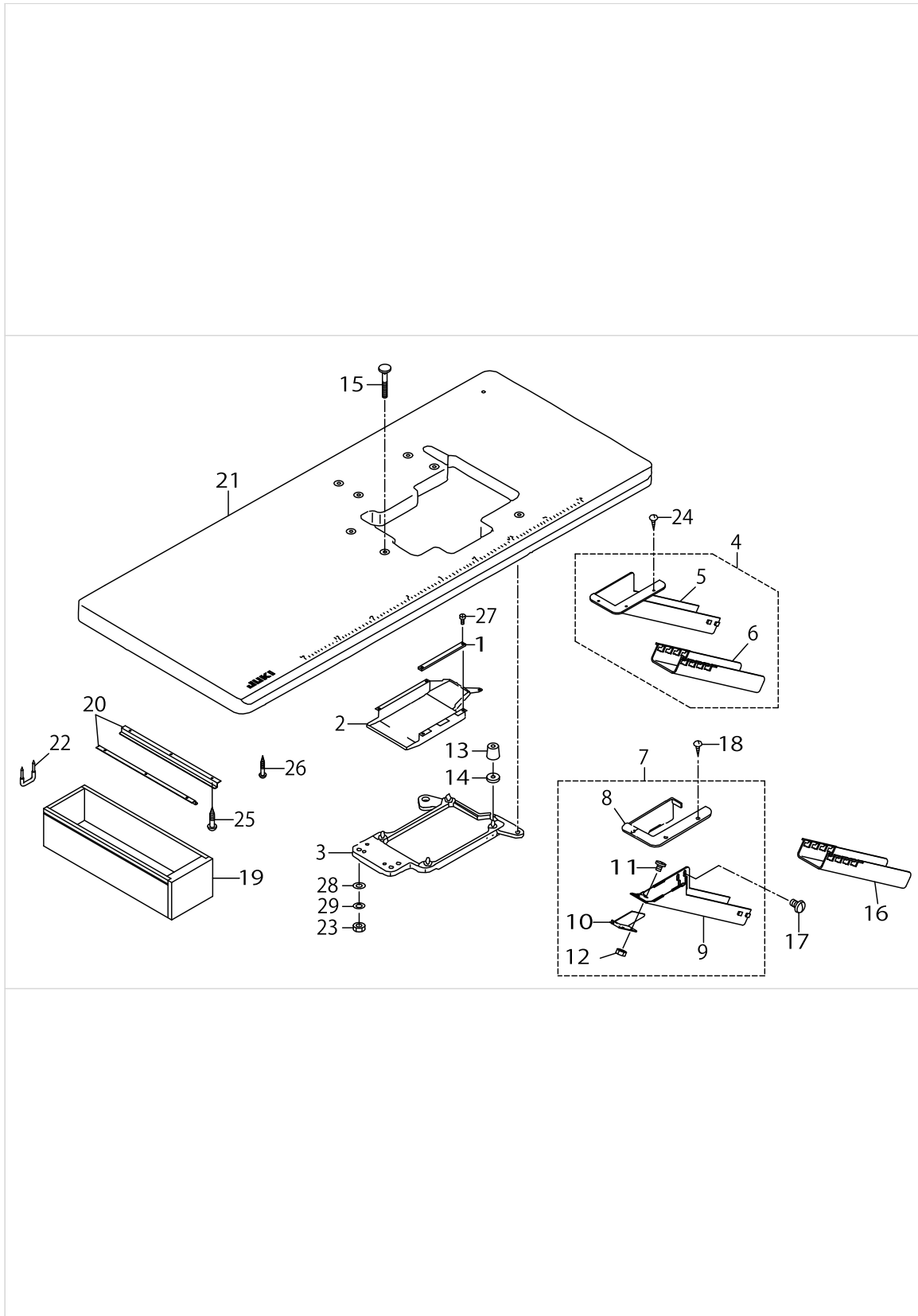
LUBRICATION MECHANISM COMPONENTS



LUBRICATION MECHANISM COMPONENTS

No.	Supply Code	Parts No.	Replacement	Parts name	Remarks	Choice	Step	Level	Cons	Qty	Rep. QTY
45		40004750		UPPER LOOPER ROOM HOLE FELT						1	
46		B3013141H0A		WASHER						1	
47		40032582		COLLAR						1	
48		SM4040855SP		SCREW						1	
49		SM4041055SP		SCREW M4 L=10						1	
50		40004748		NEEDLE LUBRICATION FELT						1	
51		40004747		FELT PRESSER						1	
52		40004746		UPPER LOOPER LUBRICATION FELT						1	
53		SS6060440TP		SCREW 3/32-56 L=3.5						1	
54		40004509		UPPER LOOPER COVER						1	
55		SS4120615SP		SCREW 3/16-28 L=6						2	
56		40004755		LOOPER FELT PRESSER						1	
57		13143607		OIL FELT PRESSER						1	

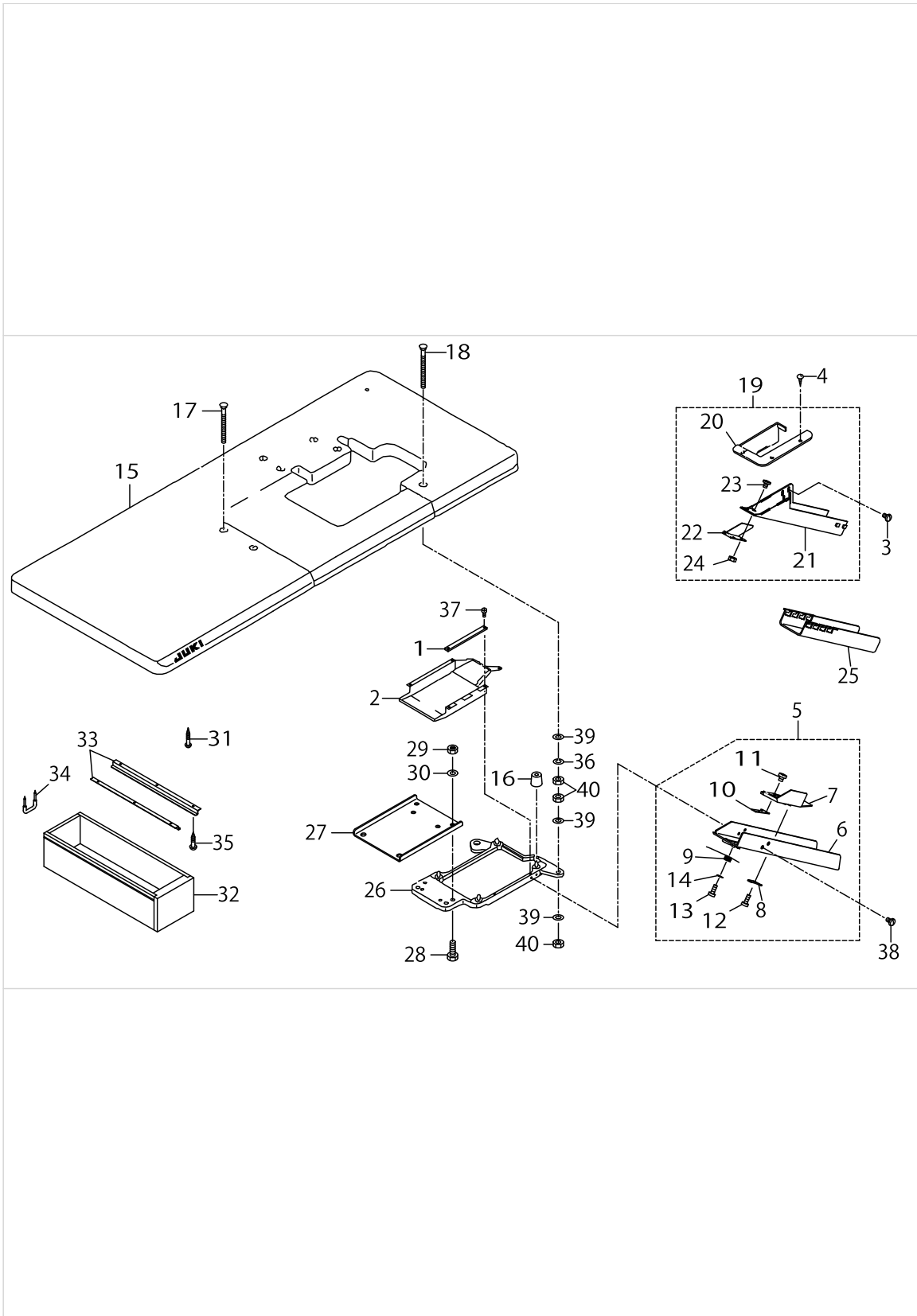
SEMI-SUNKEN TYPE TABLE COMPONENTS



SEMI-SUNKEN TYPE TABLE COMPONENTS

No.	Supply Code	Parts No.	Replacement	Parts name	Remarks	Choice	Step	Level	Cons	Qty	Rep. QTY
1		13161005		CASE SPONGE						1	
2		13160908		COOLING FAN CASE						1	
3		13161153		FRAME SUPPORT PLATE ASM.						1	
4		12341954		CLOTH WASTE CHUTE ASM.	EXCEPT JE					1	
5		12341905		CLOTH WASTE CHUTE(SEMI-SUNKEN)				*		1	
6		12341806		CLOTH WASTE CHUTE				*		1	
7		13155759		CLOTH WASTE CHUTE ASM.	FOR JE					1	
8	R	13155601	13155759	CLOTH WASTE CHUTE INLET				*		1	1.00
9	R	13155700	13155759	CLOTH WASTE CHUTE, UPPER				*		1	1.00
10		13155502		CHUTE SUPPORT				*		1	
11		SS5090610SP		SCREW 9/64-40 L=6				*		3	
12		NS6090310SP		NUT 9/64-40				*		3	
13		13155403		DUST-PROOF RUBBER						4	
14		13156500		DUST-PROOF RUBBER SPACER						4	
15		13155007		HOLDING PLATE BOLT						4	
16		12341806		CLOTH WASTE CHUTE	FOR JE					1	
17		SS5110710SP		SCREW 11/64-40 L=7	FOR JE					2	
18		SK2351600SC		WOOD SCREW D=3.5 L=16	FOR JE					3	
19	R	11155108	11155157	DRAWER						1	1.00
20		11155207		DRAWER SUPPORT						2	
21		11959400		TABLE (SEMI-SUNKEN)						1	
22		D8204555D00		DRAWER STOPPER						1	
23		NS6240630SE		NUT 3/8-18						4	
24		SK2351600SC		WOOD SCREW D=3.5 L=16	EXCEPT JE					3	
25	D	SK3311500SC		WOOD SCREW D=3.1 L=15						6	
26	R	SK3513200SC	SK3513201SE	WOOD SCREW D=5.1 L=32						4	1.00
27		SS6090630TP		SCREW 9/64-40 L=6						5	
28		WP1002036SE		WASHER 10X21X2						4	
29		WS1002560KR		SPRING WASHER 10X18X2.5						4	

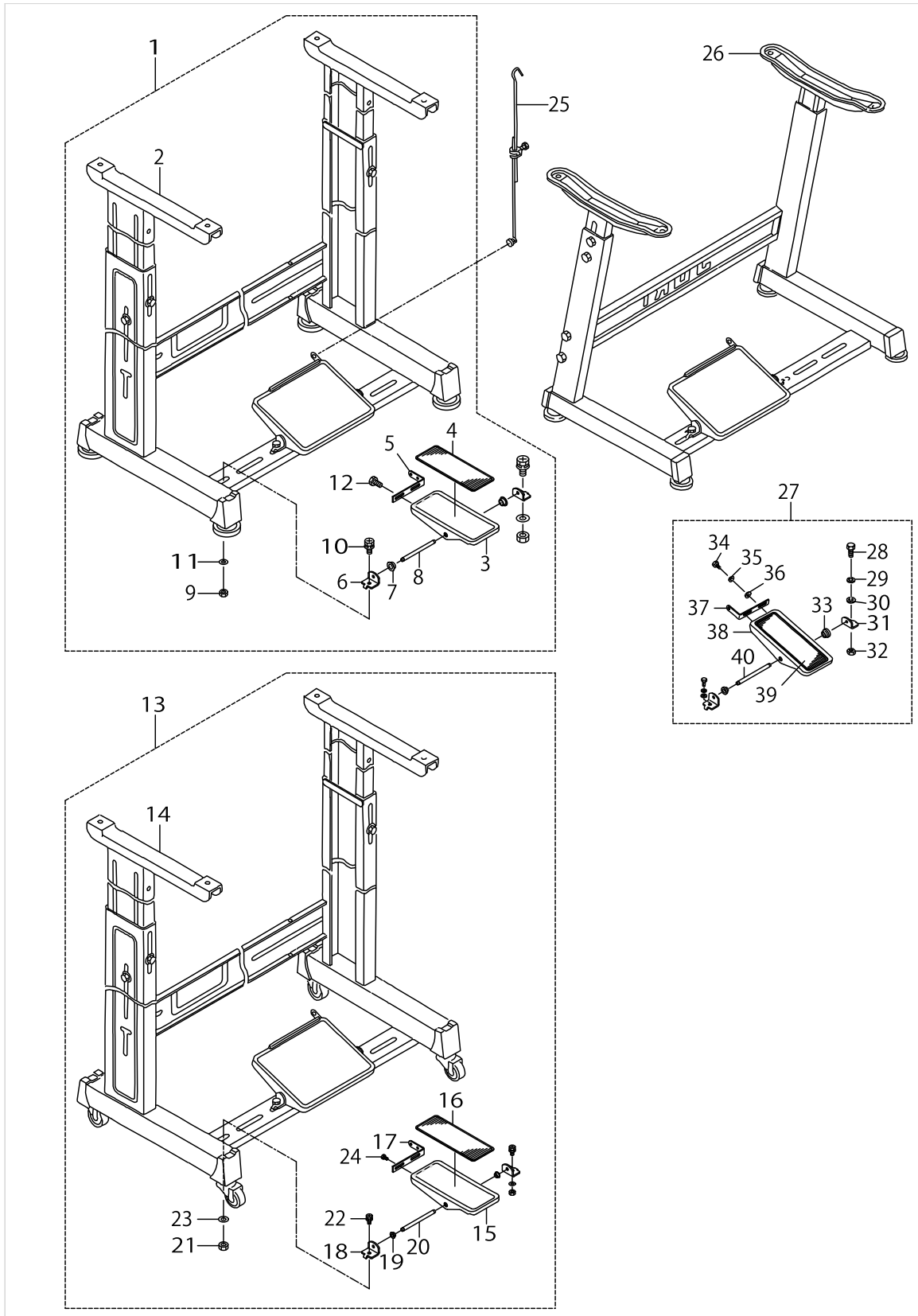
FULLY-SUNKEN TYPE TABLE COMPONENTS



FULLY-SUNKEN TYPE TABLE COMPONENTS

No.	Supply Code	Parts No.	Replacement	Parts name	Remarks	Choice	Step	Level	Cons	Qty	Rep. QTY
1		13161005		CASE SPONGE						1	
2		13160908		COOLING FAN CASE						1	
3		SS5110710SP		SCREW 11/64-40 L=7	FOR JE					2	
4		SK2351600SC		WOOD SCREW D=3.5 L=16	FOR JE					3	
5		13155858		CLOTH WASTE CHUTE ASM.	EXCEPT JE					1	
6	R	13156203	13155858	CLOTH WASTE CHUTE				*		1	1.00
7	R	13156302	13155858	CLOTH WASTE CHUTE INLET				*		1	1.00
8	R	13155908	13155858	CHUTE INLET LEVER				*		1	1.00
9	R	13156005	13155858	CHUTE INLET SPRING				*		1	1.00
10	R	13156104	13155858	CHUTE INLET RUBBER				*		1	1.00
11		SS6090420SP		SCREW 9/64-40 L=4.0				*		2	
12		ST60308210A		SCREW D=3-24 L=8				*		2	
13		ST60308210A		SCREW D=3-24 L=8				*		1	
14		WP0370316SD		WASHER 3.7X8X0.3				*		1	
15		11959558		TABLE ASM.						1	
16		13155403		DUST-PROOF RUBBER						4	
17		13155106		HOLDING PLATE BOLT C						2	
18		13155205		HOLDING PLATE BOLT D						2	
19		13155759		CLOTH WASTE CHUTE ASM.	FOR JE					1	
20	R	13155601	13155759	CLOTH WASTE CHUTE INLET				*		1	1.00
21	R	13155700	13155759	CLOTH WASTE CHUTE, UPPER				*		1	1.00
22		13155502		CHUTE SUPPORT				*		1	
23		SS5090610SP		SCREW 9/64-40 L=6				*		3	
24		NS6090310SP		NUT 9/64-40				*		3	
25		12341806		CLOTH WASTE CHUTE	FOR JE					1	
26		13161153		FRAME SUPPORT PLATE ASM.						1	
27		13155304		FRAME HOLDING PLATE COUPLING						1	
28		SM9082513CF		SCREW M8 L=25						4	
29		NM6080600SM		NUT M8						4	
30		WP0850002SC		WASHER 8.5X18X1.6						4	
31	R	SK3513200SC	SK3513201SE	WOOD SCREW D=5.1 L=32						4	1.00
32	R	11155108	11155157	DRAWER						1	1.00
33		11155207		DRAWER SUPPORT						2	
34		D8204555D00		DRAWER STOPPER						1	
35	D	SK3311500SC		WOOD SCREW D=3.1 L=15						6	
36		WS1002560KR		SPRING WASHER 10X18X2.5						4	
37		SS6090630TP		SCREW 9/64-40 L=6						5	
38		SS5110710SP		SCREW 11/64-40 L=7	EXCEPT JE					2	
39		WP1002036SE		WASHER 10X21X2						12	
40		NS6240630SE		NUT 3/8-18						12	

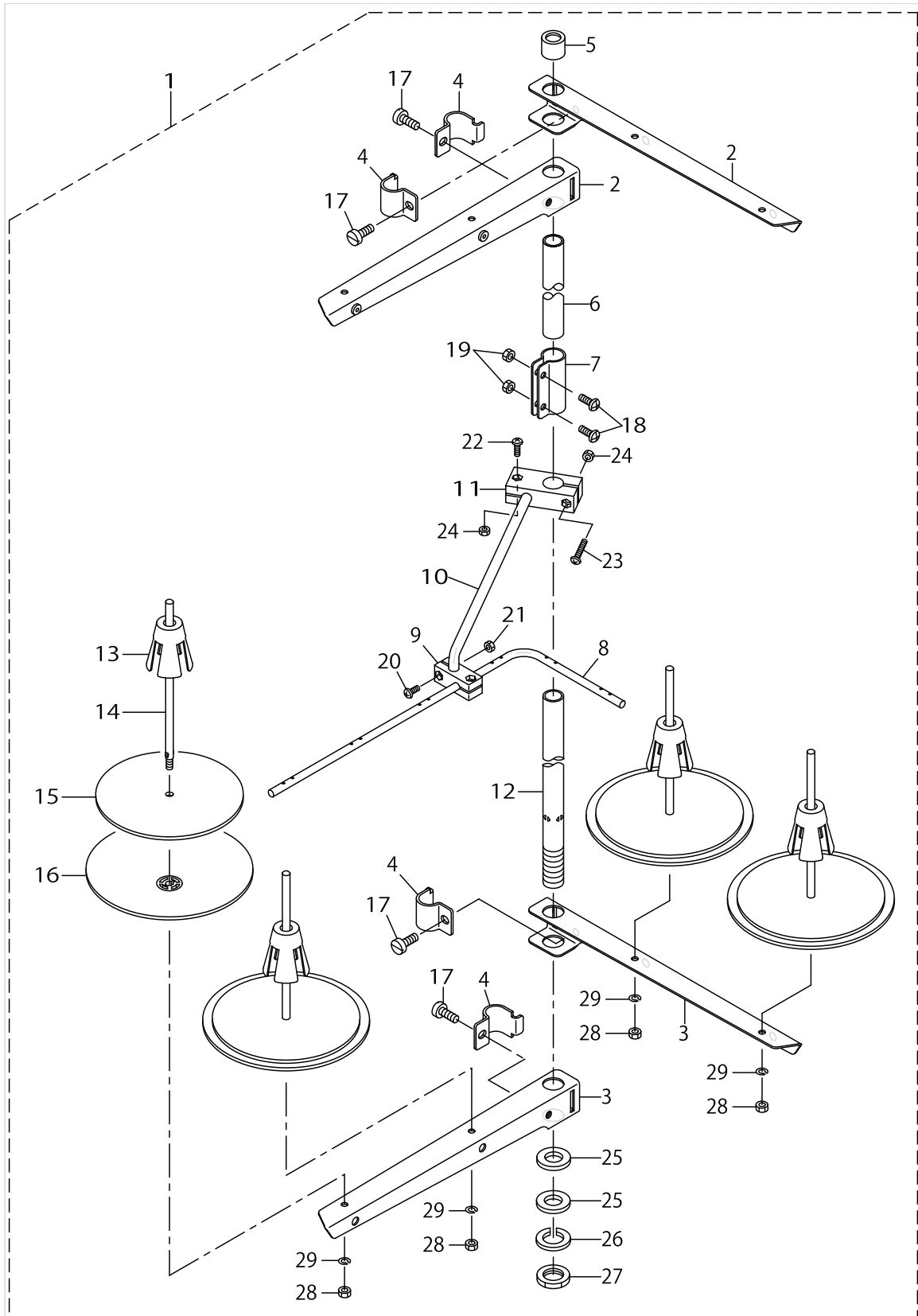
STAND COMPONENTS (Z-T)



STAND COMPONENTS (Z-T)

No.	Supply Code	Parts No.	Replacement	Parts name	Remarks	Choice	Step	Level	Cons	Qty	Rep. QTY
1		11960655		T STAND JUNCTION						1	
2		11157567		T LEG JUNCTION				*		1	
3	R	GPF06060000	GPF060600A0	PEDAL				*		1	1.00
4		GPF06070000		PEDAL MAT				*		1	
5		GPF06080000		PEDAL ADJUSTING PLATE				*		1	
6		11159001		PEDAL SHAFT BRACKET				*		2	
7		D8113555B00		PEDAL BUSHING				*		2	
8		B8153771000		PEDAL CONNECTING ROD				*		1	
9		NM6080001SE		NUT M8				*		2	
10		SL9082091SE		WASHER HEXAGONAL BOLT				*		2	
11		WP0871602SE		WASHER 8.7X18X1.6				*		2	
12		SL9061291SE		WASHER HEXAGONAL BOLT M6 L=12				*		2	
13	R	11960754	11159407	T STAND JUNCTION(WITH CASTER)		A				1	4.00
13	R	11960754	11960655	T STAND JUNCTION(WITH CASTER)		A				1	1.00
14		11159365		T STAND JUNCTION				*		1	
15	R	GPF06060000	GPF060600A0	PEDAL				*		1	1.00
16		GPF06070000		PEDAL MAT				*		1	
17		GPF06080000		PEDAL ADJUSTING PLATE				*		1	
18		11159001		PEDAL SHAFT BRACKET				*		2	
19		D8113555B00		PEDAL BUSHING				*		2	
20		B8153771000		PEDAL CONNECTING ROD				*		1	
21		NM6080001SE		NUT M8				*		2	
22		SL9082091SE		WASHER HEXAGONAL BOLT				*		2	
23		WP0871602SE		WASHER 8.7X18X1.6				*		2	
24		SL9061291SE		WASHER HEXAGONAL BOLT M6 L=12				*		2	
25		B71140120A0		MOTOR CONNECTING ROD ASM.						1	
26	D	11151065		Z LEG JUNCTION (B)						1	
27	D	B81517710A0		PEDAL ASM.						1	
28		SM9082023SE		SCREW M8 L=20				*		2	
29		WS0861410KR		SPRING WASHER 8.6X15X1.4				*		2	
30		WP0871602SE		WASHER 8.7X18X1.6				*		4	
31		11151909		PEDAL SHAFT BRACKET				*		2	
32		NM6080721SE		NUT M8				*		2	
33		D8113555B00		PEDAL BUSHING				*		2	
34		SM9061203SE		SCREW M6 L=12				*		2	
35		WS0621210KR		SPRING WASHER 6.2X11.4X1.2				*		2	
36		WP0671016SE		WASHER 6.7X13X1				*		2	
37	D	11246600		PEDAL ADJUSTING PLATE				*		1	
38	D	11246501		PEDAL				*		1	
39		B8152771000		PEDAL MAT				*		1	
40		B8153771000		PEDAL CONNECTING ROD				*		1	

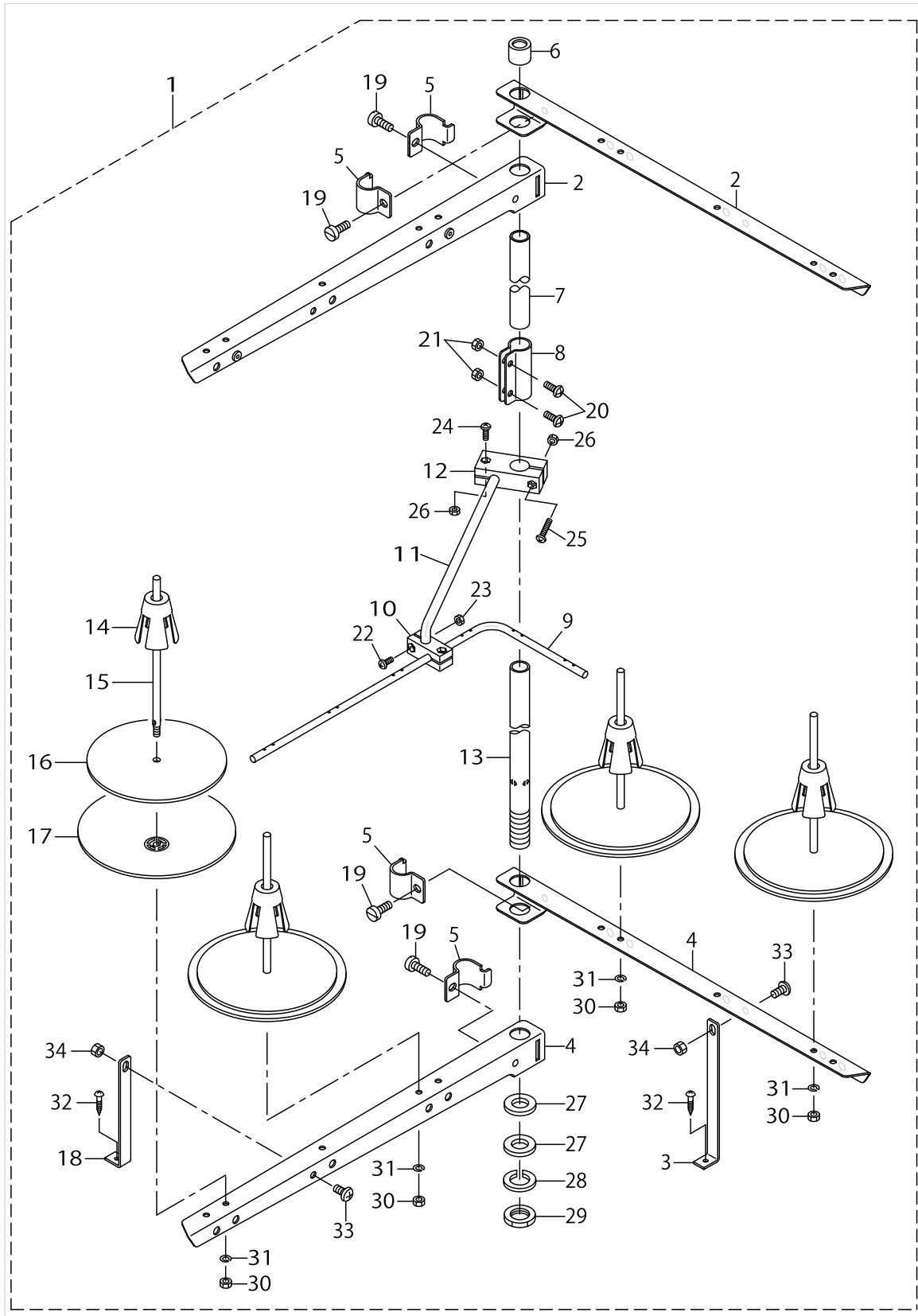
THREAD STAND COMPONENTS (FOR MO-6704D,MO-6714D)



THREAD STAND COMPONENTS (FOR MO-6704D,MO-6714D)

No.	Supply Code	Parts No.	Replacement	Parts name	Remarks	Choice	Step	Level	Cons	Qty	Rep. QTY
1	R	13167556	40106584	THREAD STANDING DEVICE ASM.						1	1.00
2	R	22930556	40096354	SPOOL REST ARM ASM.				*		2	1.00
3	R	22930507	40096354	SPOOL REST ARM				*		2	1.00
4	R	22930705	40096354	THREAD GUIDE ARM JOINT				*		4	1.00
5		22931406		THREAD STANDING ROD RUBBER CAP				*		1	
6	R	22930408	40096354	THREAD STANDING ROD, UPPER				*		1	1.00
7	R	22931307	40096354	THREAD STANDING ROD JOINT				*		1	1.00
8	R	13167903	26910059	THREAD STANDING THREAD GUIDE				*		1	1.00
9	D R	13168000	26910059	THREAD STANDING GUIDE BASE				*		1	1.00
10	R	13168109	26910059	THREAD STANDING GUIDE ARM				*		1	1.00
11	R	13168208	26910059	THREAD STANDING GUIDE ARM BASE				*		1	1.00
12	R	22930309	40096354	THREAD STANDING ROD, LOWER				*		1	1.00
13	R	22931109	40085791	SPOOL RETAINER				*		4	1.00
14	R	22931000	40085790	SPOOL PIN				*		4	1.00
15		22930903		SPOOL REST CUSHION				*		4	
16		22930804		SPOOL REST				*		4	
17		SM6061610SC		SCREW M6 L=16				*		4	
18		SM4051405SE		SCREW M5 L=14				*		2	
19		NM6050001SE		NUT M5				*		2	
20		SM4041001SC		SCREW M4X0.7 L=10				*		2	
21		NM6040002SE		NUT M4X0.7				*		2	
22		SM4041201SC		SCREW M4 L=12				*		1	
23		SM4042001SC		SCREW M4 X 20				*		1	
24		NM6040002SE		NUT M4X0.7				*		2	
25		WP1612616SE		WASHER 16X30X2.6				*		2	
26	R	WS1643202KR	WP1612616SE	SPRING WASHER		A		*		1	2.00
26	R	WS1643202KR	40085796	SPRING WASHER		A		*		1	2.00
27		NM6160511SE		NUT M16X1.5				*		1	
28		NM6050001SE		NUT M5				*		4	
29		WS0510002KN		SPRING WASHER				*		4	

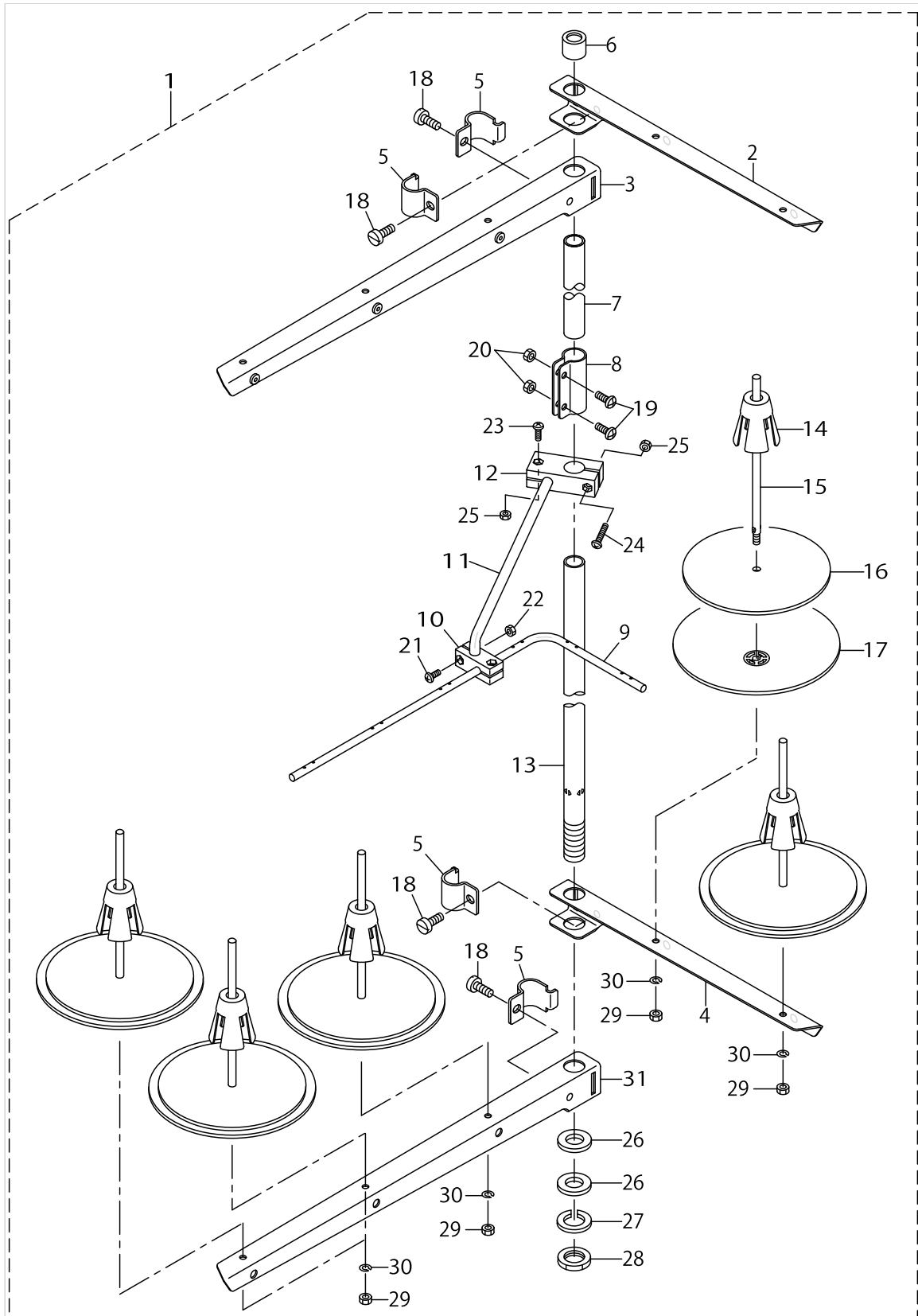
THREAD STAND COMPONENTS (MO-6704D,MO-6714D SPECIAL ORDER PARTS)



THREAD STAND COMPONENTS (MO-6704D,MO-6714D SPECIAL ORDER PARTS)

No.	Supply Code	Parts No.	Replacement	Parts name	Remarks	Choice	Step	Level	Cons	Qty	Rep. QTY
1	R	13167754	40106587	THREAD STANDING DEVICE ASM.						1	1.00
2		13168851		THREAD STANDING ARM ASM. ,LONG				*		2	
3		13168505		THREAD GUIDE ARMB				*		1	
4		13168802		THREAD STANDING ARM ,LONG				*		2	
5	R	22930705	40096354	THREAD GUIDE ARM JOINT				*		4	1.00
6		22931406		THREAD STANDING ROD RUBBER CAP				*		1	
7	R	22930408	40096354	THREAD STANDING ROD, UPPER				*		1	1.00
8	R	22931307	40096354	THREAD STANDING ROD JOINT				*		1	1.00
9	R	13167903	26910059	THREAD GUIDE				*		1	1.00
10	D R	13168000	26910059	THREAD GUIDE BASE ,LOWER				*		1	1.00
11	R	13168109	26910059	THREAD GUIDE ARM				*		1	1.00
12	R	13168208	26910059	THREAD GUIDE ARM BASE				*		1	1.00
13	R	22930309	40096354	THREAD STANDING ROD, LOWER				*		1	1.00
14	R	22931109	40085791	SPOOL RETAINER				*		4	1.00
15	R	22931000	40085790	SPOOL PIN				*		4	1.00
16		22930903		SPOOL REST CUSHION				*		4	
17		22930804		SPOOL REST				*		4	
18		13168406		THREAD STANDING ARM SUPPORT, A				*		1	
19		SM6061610SC		SCREW M6 L=16				*		4	
20		SM4051405SE		SCREW M5 L=14				*		2	
21		NM6050001SE		NUT M5				*		2	
22		SM4041001SC		SCREW M4X0.7 L=10				*		2	
23		NM6040002SE		NUT M4X0.7				*		2	
24		SM4041201SC		SCREW M4 L=12				*		1	
25		SM4042001SC		SCREW M4 X 20				*		1	
26		NM6040002SE		NUT M4X0.7				*		2	
27		WP1612616SE		WASHER 16X30X2.6				*		2	
28	R	WS1643202KR	WP1612616SE	SPRING WASHER		A		*		1	2.00
28	R	WS1643202KR	40085796	SPRING WASHER		A		*		1	2.00
29		NM6160511SE		NUT M16X1.5				*		1	
30		NM6050001SE		NUT M5				*		4	
31		WS0510002KN		SPRING WASHER				*		4	
32		SK3382001SE		SCREW D=3.8 L=20				*		2	
33		SM4061201SE		SCREW M6 L=12				*		2	
34		NM6060001SE		NUT M6				*		2	

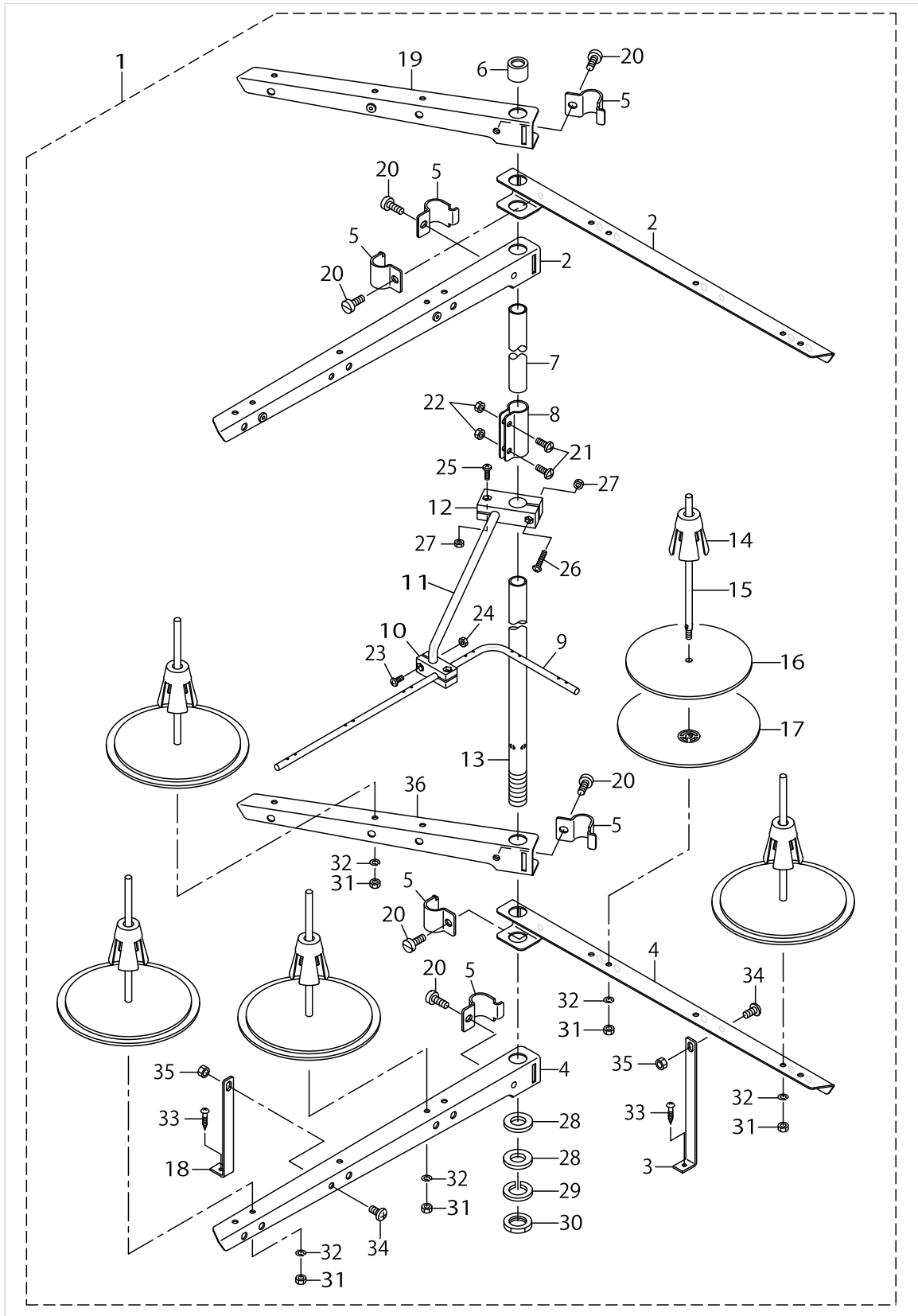
THREAD STAND COMPONENTS (FOR MO-6716D)



THREAD STAND COMPONENTS (FOR MO-6716D)

No.	Supply Code	Parts No.	Replacement	Parts name	Remarks	Choice	Step	Level	Cons	Qty	Rep. QTY
1	R	13167655	40106585	THREAD STANDING DEVICE ASM.						1	1.00
2	R	22930556	40096354	THREAD STANDING ARM ASM.				*		1	1.00
3		13168356		THREAD STANDING ARM ASM. ,LONG				*		1	
4	R	22930507	40096354	THREAD STANDING ARM				*		1	1.00
5	R	22930705	40096354	THREAD GUIDE ARM JOINT				*		4	1.00
6		22931406		THREAD STANDING ROD RUBBER CAP				*		1	
7	R	22930408	40096354	THREAD STANDING ROD, UPPER				*		1	1.00
8	R	22931307	40096354	THREAD STANDING ROD JOINT				*		1	1.00
9	R	13167903	26910059	THREAD GUIDE				*		1	1.00
10	D R	13168000	26910059	THREAD GUIDE BASE, LOWER				*		1	1.00
11	R	13168109	26910059	THREAD GUIDE ARM				*		1	1.00
12	R	13168208	26910059	THREAD GUIDE ARM BASE				*		1	1.00
13	R	22930309	40096354	THREAD STANDING ROD, LOWER				*		1	1.00
14	R	22931109	40085791	SPOOL RETAINER				*		5	1.00
15	R	22931000	40085790	SPOOL PIN				*		5	1.00
16		22930903		SPOOL REST CUSHION				*		5	
17		22930804		SPOOL REST				*		5	
18		SM6061610SC		SCREW M6 L=16				*		4	
19		SM4051405SE		SCREW M5 L=14				*		2	
20		NM6050001SE		NUT M5				*		2	
21		SM4041001SC		SCREW M4X0.7 L=10				*		2	
22		NM6040002SE		NUT M4X0.7				*		2	
23		SM4041201SC		SCREW M4 L=12				*		1	
24		SM4042001SC		SCREW M4 X 20				*		1	
25		NM6040002SE		NUT M4X0.7				*		2	
26		WP1612616SE		WASHER 16X30X2.6				*		2	
27	R	WS1643202KR	WP1612616SE	SPRING WASHER		A		*		1	2.00
27	R	WS1643202KR	40085796	SPRING WASHER		A		*		1	2.00
28		NM6160511SE		NUT M16X1.5				*		1	
29		NM6050001SE		NUT M5				*		5	
30		WS0510002KN		SPRING WASHER				*		5	
31	R	13168307	13168356	THREAD STANDING ARM ,LONG				*		1	1.00

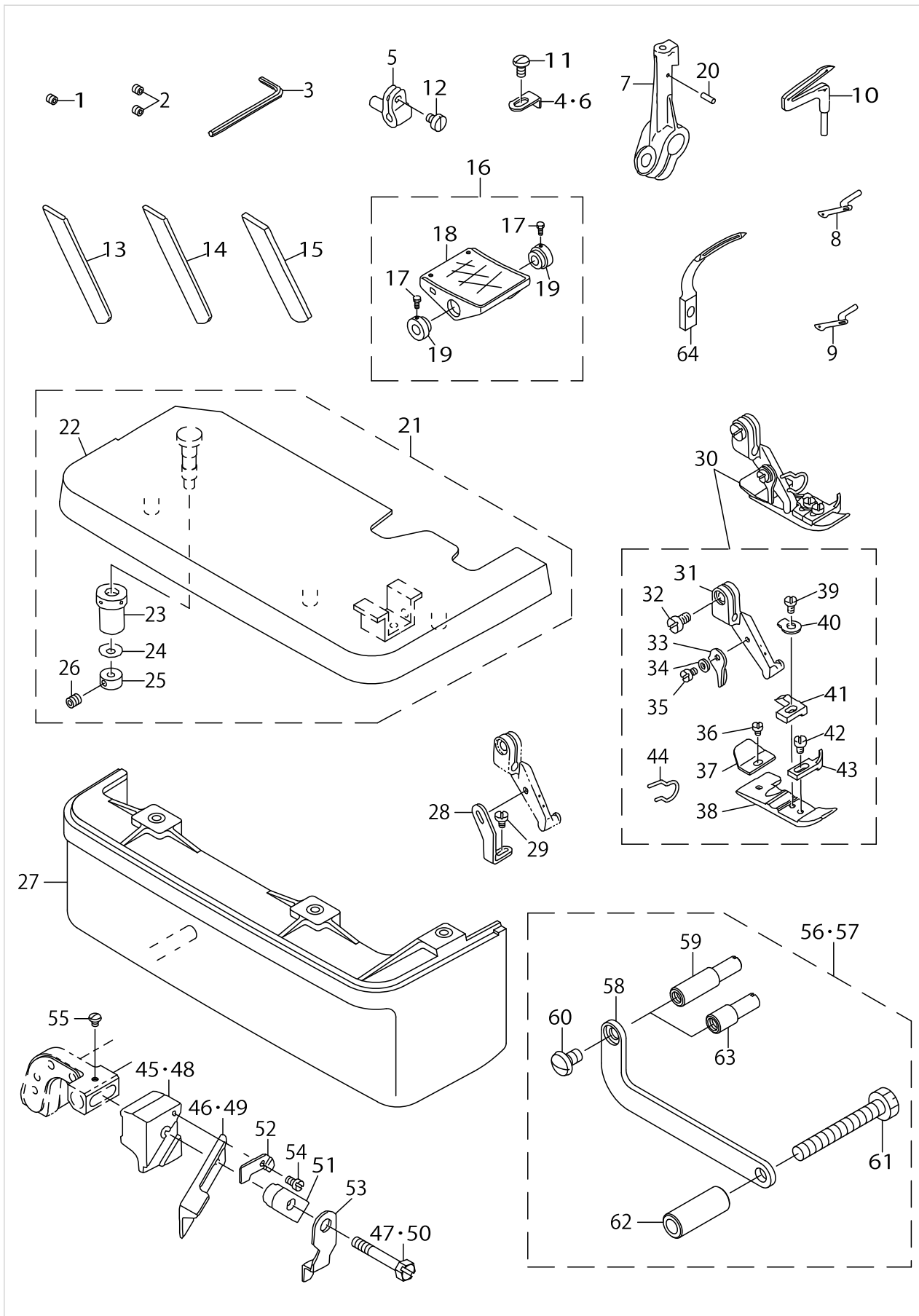
THREAD STAND COMPONENTS (MO-6716D SPECIAL ORDER PARTS)



THREAD STAND COMPONENTS (MO-6716D SPECIAL ORDER PARTS)

No.	Supply Code	Parts No.	Replacement	Parts name	Remarks	Choice	Step	Level	Cons	Qty	Rep. QTY
1	R	13167853	40106588	THREAD STANDING DEVICE ASM.						1	1.00
2		13168851		THREAD STANDING ARM ASM. ,LONG				*		2	
3		13168505		THREAD STANDING ARM SUPPORT B				*		1	
4		13168802		THREAD STANDING ARM ,LONG				*		2	
5	R	22930705	40096354	THREAD GUIDE ARM JOINT				*		6	1.00
6		22931406		THREAD STANDING ROD RUBBER CAP				*		1	
7	R	22930408	40096354	THREAD STANDING ROD, UPPER				*		1	1.00
8	R	22931307	40096354	THREAD STANDING ROD JOINT				*		1	1.00
9	R	13167903	26910059	THREAD STANDING THREAD GUIDE				*		1	1.00
10	D R	13168000	26910059	THREAD GUIDE BASE, LOWER				*		1	1.00
11	R	13168109	26910059	THREAD GUIDE ARM BASE				*		1	1.00
12	R	13168208	26910059	THREAD GUIDE ARM BASE				*		1	1.00
13	R	22930309	40096354	THREAD STANDING ROD, LOWER				*		1	1.00
14	R	22931109	40085791	SPOOL RETAINER				*		5	1.00
15	R	22931000	40085790	SPOOL PIN				*		5	1.00
16		22930903		SPOOL REST CUSHION				*		5	
17		22930804		SPOOL REST				*		5	
18		13168406		THREAD STANDING ARM SUPPORT A				*		1	
19		13168950		THREAD STANDING ARM A ASM.				*		1	
20		SM6061610SC		SCREW M6 L=16				*		6	
21		SM4051405SE		SCREW M5 L=14				*		2	
22		NM6050001SE		NUT M5				*		2	
23		SM4041001SC		SCREW M4X0.7 L=10				*		2	
24		NM6040002SE		NUT M4X0.7				*		2	
25		SM4041201SC		SCREW M4 L=12				*		1	
26		SM4042001SC		SCREW M4 X 20				*		1	
27		NM6040002SE		NUT M4X0.7				*		2	
28		WP1612616SE		WASHER 16X30X2.6				*		2	
29	R	WS1643202KR	WP1612616SE	SPRING WASHER		A		*		1	2.00
29	R	WS1643202KR	40085796	SPRING WASHER		A		*		1	2.00
30		NM6160511SE		NUT M16X1.5				*		1	
31		NM6050001SE		NUT M5				*		5	
32		WS0510002KN		SPRING WASHER				*		5	
33		SK3382001SE		SCREW D=3.8 L=20				*		2	
34		SM4061201SE		SCREW M6 L=12				*		2	
35		NM6060001SE		NUT M6				*		2	
36		13168901		THREAD STANDING ARM A				*		1	

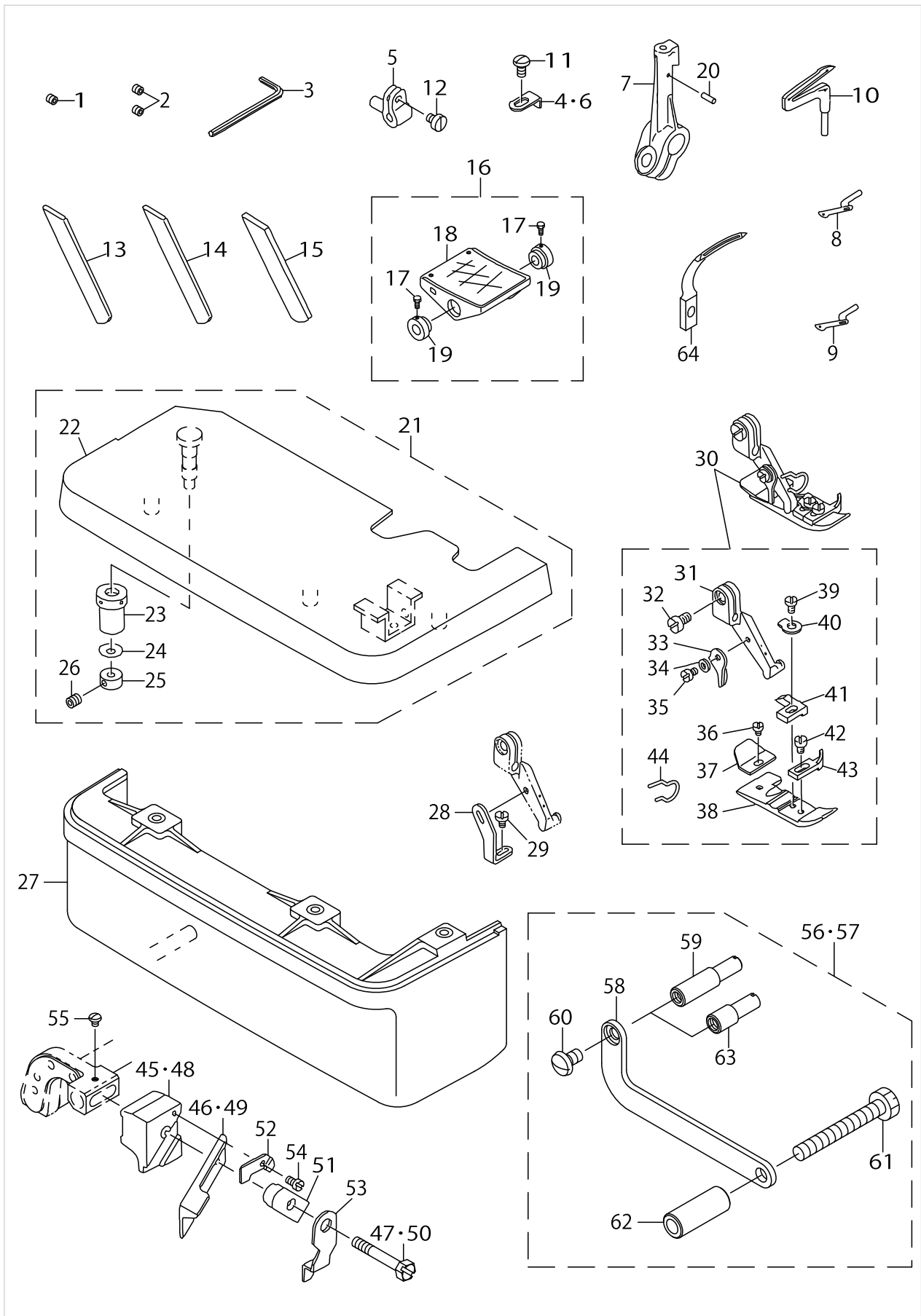
SPECIAL ORDER PARTS COMPONENTS



SPECIAL ORDER PARTS COMPONENTS

No.	Supply Code	Parts No.	Replacement	Parts name	Remarks	Choice	Step	Level	Cons	Qty	Rep. QTY
1		SS8080322TP		SCREW 1/8-44 L=3.2	FOR MO-6704D					1	
2		SS8080322TP		SCREW 1/8-44 L=3.2	FOR MO-6-714D,MO-6716D					2	
3		B9112804000		SPANNER						1	
4		40030533		PRESSER FOOT AUXILIARY PLATE	FOR MO-6714D					1	
5		11544707		UPPER LOOPER SUPPORT ARM						1	
6		11898103		PRESSER FOOT AUXILIARY PLATE	FOR MO-6704D					1	
7		12123709		LOWER LOOPER SUPPORT ARM						1	
8		B2519804000		UPPER LOOPER	FOR MO-6-704D,MO-6716D					1	
9		B2519814000		UPPER LOOPER	FOR MO-6714D					1	
10		B2521804000		LOWER LOOPER						1	
11		SS4080620TP		SCREW 1/8-44 L=6	FOR MO-6-704D,MO-6714D					1	
12		SS6080410SP		SCREW 1/8-44 L=4						1	
13		11847605		LOWER KNIFE						1	
14		11964509		CERAMIC LOWER KNIFE						1	
15		11992005		LOWER KNIFE						1	
16		11965753		PEDAL ASM.						1	
17		SM9061203SE		SCREW M6 L=12				*		2	
18		11965704		PEDAL				*		1	
19		11965803		PEDAL THRUST COLLAR				*		2	
20		PS0200062KH		SPRING PIN 2X6						1	
21		12105458		CLOTH PLATE COMPL.	FOR MO-6716D					1	
22	R	12104550	12105458	CLOTH PLATE ASM.				*		1	1.00
23		11501301		ECCENTRIC BUSHING				*		1	
24		WZ0420350KP		DISC SPRING				*		1	
25	R	CS0400671SD	13172903	THRUST HOLDER				*		1	1.00
26		SM8040302TP		SETSCREW				*		1	
27	D	11949104		CLOTH BASE COVER	FOR MO-6716D					1	
28	D	B1539804000		PRESSER FOOT FIXING PLATE	FOR MO-6-704D,MO-6714D					1	
29		SS6060410TP		SCREW 3/32-56 L=3.5	FOR MO-6-704D,MO-6714D					1	
30		12152468		PRESSER FOOT.(FINGER GUARD).	FOR MO-6714D					1	
31		11872009		PRESSER FOOT HINGE				*		1	
32		SS6090670TP		SCREW 9/64-40 L=6				*		1	
33		B1530804000		STOPPER				*		1	
34		WP0250516SD		WASHER 2.5X6X0.5				*		1	
35		SS7060610SP		SCREW 3/32-56 L=5.5				*		1	
36		SS6060210SP		SCREW 3/32-56 L=1.9				*		1	
37		B1511814000		REARPRESSERFOOT				*		1	
38		B150781400P		PRESSER FOOT				*		1	
39		SS7080520SP		SCREW 1/8-44 L=4.9				*		1	
40		B150880400B		SPRING				*		1	
41		12160008		STITCH TONGUE				*		1	
42		SS6060440TP		SCREW 3/32-56 L=3.5				*		1	
43		B1510814000		CURL GUARD				*		1	
44		13178306		FINGER GUARD				*		1	

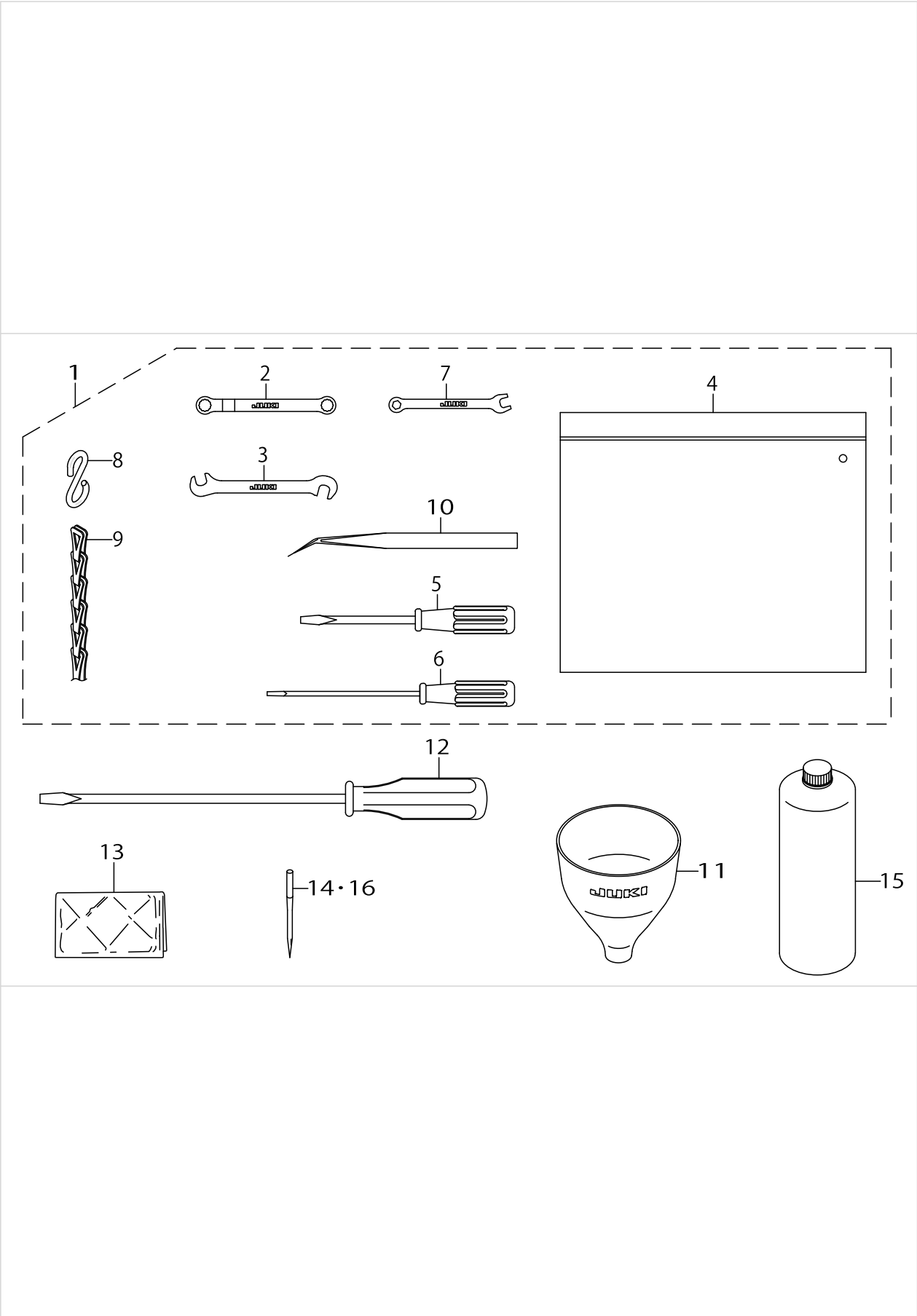
SPECIAL ORDER PARTS COMPONENTS



SPECIAL ORDER PARTS COMPONENTS

No.	Supply Code	Parts No.	Replacement	Parts name	Remarks	Choice	Step	Level	Cons	Qty	Rep. QTY
45		11598000		UPPER KNIFE SUPPORT	FOR MO-6-704D,MO-6714D					1	
46		11845807		UPPER KNIFE	FOR MO-6-704D,MO-6714D					1	
47		SS9111610SP		SCREW11/64-40L=16	FOR MO-6-704D,MO-6714D					1	
48		11845500		UPPER KNIFE SUPPORT	FOR MO-6716D					1	
49		11845906		UPPER KNIFE	FOR MO-6716D					1	
50		SS9112310SP		SCREW11/64-40L=23	FOR MO-6716D					1	
51		11565504		UPPER KNIFE PRESSER PLATE	FOR MO-6716D					1	
52		11565702		WASHER						1	
53		11848405		UPPER KNIFE COVER						1	
54		SS4060310SP		SCREW 3/32-56 L=2.5						1	
55		SS4060310SP		SCREW 3/32-56 L=2.5						1	
56		40025294		SYNCHRONIZER STOPPER ASM.						1	
57		40011755		SYNCHRONIZER TU- RN STOPPER ASM.	FOR SC-380					1	
58		40011757		SYNCHRONIZER STOPPER BASE				*		1	
59		40022255		SYNCHRONIZER STOPPER				*		1	
60		SS5120810SP		SCREW				*		1	
61		SS9154540SP		SCREW15/64-28L=45				*		1	
62		40011758		SYNCHRONIZER BASE COLLAR				*		1	
63		40011756		SYNCHRONIZER STOPPER	FOR SC-380			*		1	
64		12120713		CHAIN LOOPER	FOR MO-6716D					1	

ACCESSORIES PARTS COMPONENTS



ACCESSORIES PARTS COMPONENTS

No.	Supply Code	Parts No.	Replacement	Parts name	Remarks	Choice	Step	Level	Cons	Qty	Rep. QTY
1		13160858		ACCESSORIE BAG ASM.						1	
2		13160007		RING SPANNER				*		1	
3		13160205		PIN SPANNER				*		1	
4		22932800		ACCESSORIE BAG				*		1	
5		22933105		SCREW DRIVER,MIDDLE				*		1	
6		12347308		SCREW DRIVER (SMALL)				*		1	
7		13160106		SPANNER (5X6)				*		1	
8		13160304		S SHAPED HOOK				*		2	
9		13160403		CHAIN				*		1	
10		12288403		TWEEZERS				*		1	
11		13160601		FUNNEL						1	
12		22933006		SCREW DRIVER,LARGE						1	
13		40048535		HEAD_COVER						1	
14		MDC270B1104		NEEDLE DCX27 #11-4EA.						1	
15		MML018900CA		JUKI MACHINE OIL 18						1	
16	D	MDC270B0904		NEEDLE DCX27 #9-4EA.	FOR MO-6-714D (FOR SH)					1	

LIST FOR INFORMATION OF CHANGE (1)

As to the place changed, refer to the corresponding Rev.No.
 When previous parts(Obsoleted part)and new parts(Added parts)are
 not interchangeable with each other:
 In this case,even obsoleted parts(D.)can be ordered with the
 obsoleted part number,so select the parts with changed dates and
 place your orders.

変更箇所は、該当Rev.No.版をご参照ください。
 部品の互換性がない変更の場合は、削除された品番でも、ご注文できます。

40034917
 No.1435-02 Rev.No.

*A:Added parts追加部品/D:Obsoleted parts削除部品/E:Erratum訂正

* Rev. No.	Page 頁	Ref. No.	Parts No. 品番	* Rev. No.	Page 頁	Ref. No.	Parts No. 品番
D 01	2	28	121-03305	A 02	2	28	131-01704
D 01	4	5	132-00506	A 02	4	5	400-37299
				A 02	4	44	400-37392
				A 02	4	45	400-40065
				A 02	4	46	CM-6001001-01
D 01	8	9	400-32546	A 02	8	9	400-04559
D 01	8	10	400-32548	A 02	8	10	400-04561
D 01	8	11	400-32550	A 02	8	11	400-04563
D 01	8	12	400-32559	A 02	8	12	400-04565
D 01	8	13	400-32561	A 02	8	13	400-04567
D 01	8	14	400-32563	A 02	8	14	400-04569
D 01	8	17	122-56905	A 02	8	17	131-75203
D 01	12	65	119-49807	A 02	12	65	131-92000
D 01	14	10	400-32574	A 02	14	10	400-39400
D 01	14	11	400-32578	A 02	14	11	400-39401
D 01	14	24	121-23659	A 02	14	24	131-33053
D 01	14	37	400-32567	A 02	14	37	400-04716
D 01	14	38	400-32569	A 02	14	38	400-04718
D 01	14	39	400-32571	A 02	14	39	400-04720
D 01	14	40	400-32573	A 02	14	40	400-04722
D 01	16	30	SS-8110520-TP	A 02	16	30	SM-8050412-TP
D 01	16	31	132-12600	A 02	16	31	400-34897
D 01	22	9	123-47167	A 02	22	9	132-32657
D 01	22	10	123-47266	A 02	22	10	132-32756
D 01	22	11	121-33211	A 02	22	11	131-49307
D 01	22	12	118-06304	A 02	22	12	131-02702
D 01	22	14	118-46607	A 02	22	14	131-48101
D 01	22	15	121-32619	A 02	22	15	131-49406
D 01	22	16	121-02208	A 02	22	16	131-48309
D 01	22	18	121-03701	A 02	22	18	131-49109
D 01	22	20	121-32700	A 02	22	20	131-49505
D 01	22	22	121-33104	A 02	22	22	131-49208
D 01	22	23	121-02810	A 02	22	23	131-48408
D 01	22	24	121-32908	A 02	22	24	131-49703
D 01	22	26	121-32809	A 02	22	26	131-49604
D 01	22	27	121-33005	A 02	22	27	131-49802

HOW TO MAKE USE OF THIS PARTS LIST

1.Explanation of codes

1)"*"mark.....means this part is changed from the previous parts book.

As to the details of the change, refer to the "List for information of change".

2)"#01".....refer to "Note" explanation at bottom of page.

2.Codes on the "Qty" column

• Each numeral indicates the number of parts required.

• "0.1" and "2.5" indicate the length (in meters) of the respective parts.

3.Parentheses mean that the corresponding part is a subpart that constructs an assembly part.

4.Dotted lines on the Figures indicate assembly parts.

1."注記"欄の記号説明

1) "*"印.....前回のパーツブックに比較して今回変更された部品を意味します。

変更内容は、"変更情報リスト"を参照してください。

2) "#01".....ページ下の"注記"の説明を参照してください。

2.数量欄の数字は、個数を表し、0.1、2.5等の数値は、長さ（単位メートル）を表します。

3.数量欄の（ ）は、組部品を構成している子部品であることを意味します。

4.イラストページの-----枠は、組構成であることを意味します。

NUMERICAL INDEX OF PARTS

PART NO	PAGE	REF NO.	PART NO	PAGE	REF NO.	PART NO	PAGE	REF NO.
10753309	6	39	12015400	42	40	12340808	26	50
11151065	58	26	12104550	68	22	12341806	54	16
11151909	58	31	12105458	68	21	12341806	56	25
11155108	54	19	12109153	10	28	12341905	54	5
11155108	56	32	12116604	18	18~22	12341954	54	4
11155207	54	20	12116703	18	18~22	12342101	2	11
11155207	56	33	12116802	18	18~22	12347308	72	6
11157567	58	2	12116901	18	18~22	13100805	2	16
11159001	58	18	12117008	18	18~22	13100904	2	15
11159365	58	14	12118204	20	10	13101001	2	21
11246501	58	38	12118303	20	9	13101209	2	18
11246600	58	37	12120150	10	38	13101308	2	30
11501301	68	23	12120705	28	11	13101407	2	19
11517307	14	43	12120713	70	64	13101506	2	25
11544707	68	5	12121612	28	34	13101605	2	26
11565504	70	51	12122362	10	30	13101704	2	28
11565702	70	52	12123360	10	34	13101803	2	32
11566809	46	12	12123709	68	7	13101902	2	36
11598000	70	45·48	12129318	50	10	13102058	2	35
11845500	70	45·48	12129805	50	20	13102207	4	45
11845807	70	46·49	12129904	50	18	13102405	2	3
11845906	70	46·49	12132155	10	43	13102504	6	20
11847605	68	13	12152468	68	30	13102553	6	19
11848405	70	53	12153763	34	34	13102603	6	23
11872009	34	20	12156907	34	35	13102702	42	46
11872009	68	31	12160008	68	41	13102702	44	46
11876166	34	4	12162202	34	41	13102900	6	38
11876869	34	19	12164802	34	37	13103650	2	34
11890001	26	66	12167409	34	40	13103809	2	13
11890100	42	37	12167508	34	43	13103908	6	24
11890308	42	38	12167607	34	42	13104005	4	51
11898103	68	4·6	12167706	34	46	13104104	2	1
11949104	68	27	12167805	34	38	13104203	2	2
11959400	54	21	12176103	26	64	13104302	4	44
11959558	56	15	12177903	42	41	13104500	6	10
11960655	58	1	12253829	34	1	13104807	6	29
11960754	58	13	12257002	16	45	13104906	10	20
11964509	68	14	12288403	72	10	13107602	10	4
11965704	68	18	12288700	30	33	13107701	10	10
11965753	68	16	12288908	42	7	13107800	10	6
11965803	68	19	12340303	24	31	13108006	10	23
11991908	26	63	12340402	24	33	13108105	10	24
11992005	68	15	12340501	26	48	13108204	10	25
11999307	26	65	12340600	24	25	13108303	10	27
12015301	42	39	12340709	24	27	13108402	10	8

NUMERICAL INDEX OF PARTS

PART NO	PAGE	REF NO.	PART NO	PAGE	REF NO.	PART NO	PAGE	REF NO.
13108501	10	9	13119805	18	42	13127105	28	18
13110101	14	5	13119904	18	33	13127204	28	23~26
13110200	14	22	13119953	18	32	13127303	28	23~26
13110259	14	21	13120001	18	41	13127402	28	23~26
13110507	14	2	13120605	18	2	13127501	28	23~26
13110556	14	1	13120803	20	33	13128103	28	16
13110705	14	24	13120902	20	29	13128202	38	31
13110804	14	25	13121009	20	31	13128301	38	32
13110903	14	26	13121058	20	30	13128400	38	33
13111000	14	27	13121108	22	52	13128509	38	34
13111109	14	31	13121207	20	43	13128608	38	35
13111208	14	34	13121256	20	42	13128707	38	36
13111307	14	35	13121306	20	40	13129101	40	40
13111406	14	36	13121405	20	26	13129259	38	37
13111505	14	38	13121603	22	49	13129309	24	21
13111604	14	39	13121900	20	45	13129309	28	7
13111703	14	40	13122007	16	49~52	13129457	38	38
13115001	30	1	13122007	18	35~38	13129853	28	1
13115100	30	2	13122007	46	13~16	13129903	28	6
13115209	30	4	13122106	16	49~52	13129952	28	5
13115258	30	3	13122106	18	35~38	13131008	24	13
13115407	30	8	13122106	46	13~16	13131057	24	12
13115654	30	32	13122205	16	49~52	13131107	24	8
13115753	30	9	13122205	18	35~38	13131156	24	7
13115803	30	10	13122205	46	13~16	13131800	26	46
13115902	30	11	13122304	16	49~52	13132006	26	47
13116009	30	12	13122304	18	35~38	13132501	24	20
13116108	30	13	13122304	46	13~16	13132550	24	19
13116207	30	18	13122403	18	5	13132907	24	35
13116306	30	20	13122452	18	4	13133053	24	24
13116405	30	22	13122502	18	13	13137559	38	2
13116504	30	23	13122700	20	18	13137609	38	12
13116603	30	24	13122809	20	24	13137708	38	8~10
13116702	34	2	13123302	20	39	13137807	38	5~7
13116801	30	7	13123302	30	44	13137906	38	13
13116900	30	21	13125901	28	13	13138003	38	16
13117007	30	19	13125950	28	12	13138102	38	14
13117106	30	34	13126008	28	4	13138201	38	27
13118054	18	1	13126354	28	9	13138359	38	3
13118708	18	16	13126503	28	19~22	13138409	38	8~10
13119300	18	14	13126602	28	19~22	13138508	38	5~7
13119409	18	23	13126701	28	19~22	13138656	38	4
13119508	18	24	13126800	28	19~22	13138706	38	8~10
13119607	18	25	13126909	28	3	13138805	38	5~7
13119706	18	39	13127006	28	17	13138904	38	11

NUMERICAL INDEX OF PARTS

PART NO	PAGE	REF NO.	PART NO	PAGE	REF NO.	PART NO	PAGE	REF NO.
13139555	38	20	13155403	56	16	13167853	66	1
13139605	38	22	13155502	54	10	13167903	60	8
13139704	38	25	13155502	56	22	13167903	62	9
13139803	38	24	13155601	54	8	13167903	64	9
13139902	38	23	13155601	56	20	13167903	66	9
13140009	38	21	13155700	54	9	13168000	60	9
13142609	50	38	13155700	56	21	13168000	62	10
13142955	50	33	13155759	54	7	13168000	64	10
13143300	50	29	13155759	56	19	13168000	66	10
13143607	52	57	13155858	56	5	13168109	60	10
13143805	50	27	13155908	56	8	13168109	62	11
13144001	50	30	13156005	56	9	13168109	64	11
13147301	46	9	13156104	56	10	13168109	66	11
13147400	46	7	13156203	56	6	13168208	60	11
13147509	46	2	13156302	56	7	13168208	62	12
13147558	46	1	13156500	54	14	13168208	64	12
13148101	42	14	13160007	72	2	13168208	66	12
13148309	42	16	13160106	72	7	13168307	64	31
13148408	42	23	13160205	72	3	13168356	64	3
13148556	42	31	13160304	72	8	13168406	62	18
13148804	42	32	13160403	72	9	13168406	66	18
13148903	42	29	13160601	72	11	13168505	62	3
13149109	42	18	13160700	6	43	13168505	66	3
13149208	42	22	13160858	72	1	13168802	62	4
13149307	42	11	13160908	54	2	13168802	66	4
13149406	42	15	13160908	56	2	13168851	62	2
13149505	42	20-26	13161005	54	1	13168851	66	2
13149604	42	20-26	13161005	56	1	13168901	66	36
13149703	42	24	13161153	54	3	13168950	66	19
13149802	42	27	13161153	56	26	13170006	6	9
13149901	42	33	13162557	48	6	13170105	6	21
13150503	46	17	13162565	48	7	13170204	6	11
13150602	46	18	13162573	48	8	13170204	20	34
13150701	44	45	13162805	48	18	13170303	10	14
13150800	46	11	13162904	48	20	13170402	30	37
13150909	46	5	13163001	48	21	13170501	22	48
13151006	46	6	13163159	48	15	13170600	24	16
13151105	42	35	13163167	48	16	13170808	50	34
13151204	42	5	13163175	48	17	13171004	6	22
13151303	46	4	13163456	48	1	13172507	18	10
13155007	54	15	13163803	48	2	13172556	18	9
13155106	56	17	13163902	48	3	13172705	16	55
13155205	56	18	13167556	60	1	13172754	16	54
13155304	56	27	13167655	64	1	13172804	26	59
13155403	54	13	13167754	62	1	13172853	26	58

NUMERICAL INDEX OF PARTS

PART NO	PAGE	REF NO.	PART NO	PAGE	REF NO.	PART NO	PAGE	REF NO.
13172903	2	38	13215306	20	4	13240205	4	48~50
13175005	16	62	13215405	20	5	13244108	18	30
13175203	14	17	13215504	20	6	13343009	50	4
13178306	34	33	13215603	20	7	22901805	6	37
13178306	68	44	13215702	20	11	22921407	38	26
13178405	36	47	13215801	20	17	22924708	6	8
13191309	22	70	13215900	20	13	22930309	60	12
13191408	22	71	13216007	20	14	22930309	62	13
13191606	22	64	13216106	20	19	22930309	64	13
13192000	22	65	13216205	20	21	22930309	66	13
13192406	22	66	13216304	20	23	22930408	60	6
13192802	22	67	13216601	18	28	22930408	62	7
13193206	22	68	13216700	18	29	22930408	64	7
13193602	22	69	13216809	18	26	22930408	66	7
13200209	6	1	13217351	22	47	22930507	60	3
13200308	6	2	13217401	22	57	22930507	64	4
13200605	6	6	13217500	22	58	22930556	60	2
13200704	2	7	13217708	20	36	22930556	64	2
13200803	2	8	13217807	18	12·31	22930705	60	4
13200902	22	54	13217906	18	12·31	22930705	62	5
13201009	6	12	13218052	22	50	22930705	64	5
13201108	6	28	13218102	22	56	22930705	66	5
13201207	6	33	13220009	28	15	22930804	60	16
13201306	6	32	13221700	24	4~6	22930804	62	17
13201405	6	16	13221809	24	4~6	22930804	64	17
13201454	6	15	13221908	24	4~6	22930804	66	17
13201504	2	41	13222401	24	29	22930903	60	15
13201603	2	42	13222609	24	23	22930903	62	16
13204003	6	35	13222708	24	15	22930903	64	16
13204003	26	70	13225008	38	1	22930903	66	16
13205406	10	19	13225107	38	18·19	22931000	60	14
13207808	14	20	13227905	50	9	22931000	62	15
13208103	16	60	13228002	50	6	22931000	64	15
13208707	14	30	13228200	50	8	22931000	66	15
13208806	14	28	13228655	50	23	22931109	60	13
13208905	14	29	13228903	50	41	22931109	62	14
13209804	14	7	13229000	50	43	22931109	64	14
13209853	14	6	13229307	50	19	22931109	66	14
13212501	30	39	13229356	50	17	22931307	60	7
13212709	30	35	13230305	50	1	22931307	62	8
13212808	30	41	13232657	42	9·10	22931307	64	8
13212915	30	43	13232756	42	9·10	22931307	66	8
13213012	20	38	13235304	42	19	22931406	60	5
13213012	30	42	13240007	4	48~50	22931406	62	6
13215157	20	1	13240106	4	48~50	22931406	64	6

NUMERICAL INDEX OF PARTS

PART NO	PAGE	REF NO.	PART NO	PAGE	REF NO.	PART NO	PAGE	REF NO.
22931406	66	6	40023235	10	1	B2519814000	68	9
22932800	72	4	40025294	70	56·57	B2521804000	68	10
22933006	72	12	40030533	68	4·6	B2530704000	26	54
22933105	72	5	40032545	16	44	B3013141H0A	52	46
23630007	50	40	40032552	14	19	B71140120A0	58	25
31018005	50	42	40032558	14	16	B81517710A0	58	27
40004509	52	54	40032565	26	53	B8152771000	58	39
40004558	14	4	40032580	50	2	B8153771000	58	40
40004559	14	9~11	40032581	50	3	B9112804000	68	3
40004561	14	9~11	40032582	52	47	BP30000010R	50	44
40004563	14	9~11	40034897	30	31	CM300200001	2	40
40004565	14	12~14	40035711	12	48	CM3002000A1	6	17
40004567	14	12~14	40037299	6	5	CM3002001B1	6	36
40004569	14	12~14	40037392	6	44	CM600100101	8	46
40004572	14	15	40039400	24	10·11	CS0400671SD	68	25
40004574	16	58	40039401	24	10·11	CS1111019SH	46	22
40004580	14	42	40040065	8	45	CS111101HSH	46	21
40004580	24	44	40048535	72	13	D8113555B00	58	33
40004692	26	67~69	B1211804000	10	18	D8204555D00	54	22
40004693	26	67~69	B1212704000	10	17	D8204555D00	56	34
40004694	26	67~69	B1215804000	10	21·22	GPF06060000	58	15
40004696	24	2	B1507804C00	34	12	GPF06070000	58	16
40004713	26	52	B150781400P	34	27	GPF06080000	58	17
40004714	26	71	B150781400P	68	38	MDC270B0900	14	18·53
40004716	24	37~40	B150880400B	34	29	MDC270B0904	72	14·16
40004718	24	37~40	B150880400B	68	40	MDC270B1100	16	18·53
40004720	24	37~40	B1509804C00	34	15	MDC270B1104	72	14·16
40004722	24	37~40	B150981400P	34	30	MML018900CA	72	15
40004746	52	52	B1510814000	34	32	NM6040002SE	60	24
40004747	52	51	B1510814000	68	43	NM6040002SE	62	26
40004748	52	50	B1511814000	34	26	NM6040002SE	64	25
40004750	52	45	B1511814000	68	37	NM6040002SE	66	27
40004751	24	41	B1513816000	34	39	NM6050001SE	60	28
40004755	52	56	B1514816000	34	45	NM6050001SE	62	30
40010805	28	10	B1530804000	34	22	NM6050001SE	64	29
40011755	70	56·57	B1530804000	68	33	NM6050001SE	66	31
40011756	70	63	B1539804000	68	28	NM6060001SE	62	34
40011757	70	58	B1620804000	18	43	NM6060001SE	66	35
40011758	70	62	B2119816A00	28	27~31	NM6060003SC	30	25
40016762	50	12	B2119816B00	28	27~31	NM6080001SE	58	21
40016763	50	15	B2119816C00	28	27~31	NM6080600SM	56	29
40017714	12	47	B2119816D00	28	27~31	NM6080721SE	58	32
40017824	10	41	B2119816E00	28	27~31	NM6160511SE	60	27
40022255	70	59	B2202816000	40	39	NM6160511SE	62	29
40023234	10	2	B2519804000	68	8	NM6160511SE	64	28

NUMERICAL INDEX OF PARTS

PART NO	PAGE	REF NO.	PART NO	PAGE	REF NO.	PART NO	PAGE	REF NO.
NM6160511SE	66	30	SM4040855SP	6	14	SM6061610SC	60	17
NS6090310SN	2	5	SM4040855SP	10	26	SM6061610SC	62	19
NS6090310SP	54	12	SM4040855SP	14	41	SM6061610SC	64	18
NS6090310SP	56	24	SM4040855SP	20	35	SM6061610SC	66	20
NS6110310SP	50	32	SM4040855SP	48	5	SM6061802TP	50	21
NS6110420SP	4	46	SM4040855SP	52	48	SM8040302TP	2	39
NS6110420SP	30	26	SM4041001SC	60	20	SM8040302TP	68	26
NS6240630SE	54	23	SM4041001SC	62	22	SM8040402TP	30	38
NS6240630SE	56	40	SM4041001SC	64	21	SM8050412TP	30	30
NS6620320SP	18	40	SM4041001SC	66	23	SM8050412TP	50	5
NS6680410SP	6	27	SM4041055SP	2	17	SM9061203SE	58	34
PS0200052KH	38	28	SM4041055SP	22	60	SM9061203SE	68	17
PS0200062KH	68	20	SM4041055SP	52	49	SM9082023SE	58	28
PS0250062KH	28	32	SM4041201SC	60	22	SM9082513CF	56	28
PS0300062KH	24	18	SM4041201SC	62	24	SQ0000451MZ	50	25
PS0300142KH	30	16	SM4041201SC	64	23	SQ1110451MZ	50	36
R4200J6ED00	42	1	SM4041201SC	66	25	SQ1150441SD	50	39
R4305J6EE00	42	2	SM4041455SN	18	27	SQ1150451MZ	50	37
R4508J6ED00	42	3	SM4042001SC	60	23	SQ1150454SD	50	26
RE0300000K0	20	37	SM4042001SC	62	25	SS1060610SP	20	20
RE0300000K0	32	47	SM4042001SC	64	24	SS2090520SL	2	4
RE0500000K0	20	41	SM4042001SC	66	26	SS2110910SL	42	4
SB110000300	10	21-22	SM4050855SP	10	7	SS3090610SP	2	6
SD0280401SL	16	61	SM4050855SP	40	44	SS3090610SP	24	51
SD0600341TP	40	42	SM4050855SP	50	28	SS3090610SP	26	51
SD0640241SP	30	15	SM4051055SP	42	8	SS4060310SP	70	55
SD0720271SP	22	59	SM4051255SP	6	7	SS4080620TP	20	2
SD0720803TH	28	33	SM4051255SP	20	25	SS4080620TP	28	36
SK2351600SC	54	24	SM4051405SE	60	18	SS4080620TP	68	11
SK2351600SC	56	4	SM4051405SE	62	20	SS4090415SP	40	48
SK3311500SC	54	25	SM4051405SE	64	19	SS4090515SP	20	27
SK3311500SC	56	35	SM4051405SE	66	21	SS4090615SP	26	49
SK3382001SE	62	32	SM4051601SC	50	35	SS4091015SP	2	14
SK3382001SE	66	33	SM4060801SE	50	16	SS4091015SP	48	22
SK3412001SE	6	40	SM4061201SE	62	33	SS4110515SP	14	33
SK3513200SC	54	26	SM4061201SE	66	34	SS4110515SP	40	49
SK3513200SC	56	31	SM6040600SP	20	22	SS4110615SP	38	30
SL9061291SE	58	24	SM6051202TP	18	34	SS4110615SP	50	13
SL9082091SE	58	22	SM6051202TP	28	14	SS4120615SP	2	12
SM1040801SC	2	10	SM6061200SP	24	17	SS4120615SP	52	55
SM1040801SC	6	13	SM6061200SP	30	27	SS4151215SP	6	18
SM4030455SP	20	16	SM6061202TP	10	37	SS5080212TP	10	3
SM4040655SP	2	31	SM6061402TP	14	8	SS5090610SP	54	11
SM4040655SP	24	30	SM6061402TP	18	6	SS5090610SP	56	23
SM4040855SP	2	43	SM6061402TP	46	3	SS5110710SP	6	31

NUMERICAL INDEX OF PARTS

PART NO	PAGE	REF NO.	PART NO	PAGE	REF NO.	PART NO	PAGE	REF NO.
SS5110710SP	54	17	SS7060610SP	34	24	SS9090610TP	24	42
SS5110710SP	56	38	SS7060610SP	68	35	SS9090823TP	46	19
SS5120810SP	70	60	SS7080520SP	34	28	SS9111010SP	20	3
SS5150510SP	40	41	SS7080520SP	68	39	SS9111010SP	42	21
SS6060210SP	34	25	SS7090510SP	42	42	SS9111050SP	22	51
SS6060210SP	68	36	SS7090530SP	2	20	SS9111610SP	70	47-50
SS6060340SP	34	44	SS7090610SP	2	22	SS9112310SP	70	47-50
SS6060410TP	68	29	SS7090610SP	44	44	SS9151210TP	24	22
SS6060440TP	24	1	SS7090610SP	48	19	SS9151210TP	28	8
SS6060440TP	34	31	SS7090611SL	6	34	SS9151210TP	30	6
SS6060440TP	52	53	SS7090710SP	42	25	SS9154540SP	70	61
SS6060440TP	68	42	SS7090850SP	24	26	SS9681610TP	10	12
SS6080320SP	18	15	SS7091410SP	2	33	ST60308210A	56	13
SS6080340SP	22	55	SS7110510SP	2	27	TA0800504R0	22	53
SS6080340SP	30	17	SS7110510SP	30	14	TA0950806R0	48	4
SS6080410SP	24	28	SS7110710SL	38	29	TA1030402R0	18	7
SS6080410SP	68	12	SS7110710SP	2	29	TA1871602R0	6	41
SS6080720SP	14	23	SS7110720SP	42	13	TA2050416R0	18	8
SS6081210TP	10	42	SS7110720TP	28	39	TA2050805R0	6	42
SS6090420SP	56	11	SS7110840SP	10	46	WP0250516SD	34	23
SS6090620TP	20	8	SS7110840SP	12	46	WP0250516SD	68	34
SS6090620TP	26	61	SS7110840SP	24	36	WP0370316SD	46	20
SS6090620TP	28	37	SS7110840SP	30	28	WP0370316SD	56	14
SS6090630TP	26	62	SS7110840SP	42	36	WP0371016SD	20	28
SS6090630TP	54	27	SS7110840SP	48	24	WP0371026SD	48	23
SS6090630TP	56	37	SS7110910TP	18	17	WP0460556SD	22	61
SS6090650SP	34	36	SS7111410TP	10	40	WP0460556SD	32	46
SS6090670TP	14	37	SS7111410TP	30	29	WP0480856SP	22	62
SS6090670TP	34	21	SS7111810TP	10	44	WP0621016SD	22	63
SS6090670TP	68	32	SS7150740SP	30	45	WP0651056SD	50	22
SS6090810SP	50	14	SS7151120SP	42	30	WP0671016SE	58	36
SS6110610TP	42	17	SS7161040SP	32	48	WP0751576SD	6	25
SS6110710TP	28	38	SS8080310TP	16	48	WP0764016SP	10	13
SS6110710TP	30	5	SS8080322TP	68	2	WP0850002SC	56	30
SS6111040SP	46	8	SS8090530TP	16	59	WP0871602SE	58	30
SS6111440SP	4	47	SS8110410TP	2	24	WP1002036SE	54	28
SS6111610SP	46	10	SS8110410TP	18	11	WP1002036SE	56	39
SS6121020SP	30	40	SS8110410TP	20	44	WP1612616SE	60	25
SS6121220TP	18	3	SS8110410TP	38	17	WP1612616SE	62	27
SS6151440SP	42	34	SS8151150TP	10	5	WP1612616SE	64	26
SS6661110SP	20	46	SS8660330SP	20	32	WP1612616SE	66	28
SS7060310SP	20	12	SS8660330SP	46	23	WS0510002KN	60	29
SS7060510SP	34	3	SS8660610TP	16	56	WS0510002KN	62	31
SS7060510SP	44	43	SS8660610TP	26	60	WS0510002KN	64	30
SS7060610SP	26	45	SS9090410TP	24	43	WS0510002KN	66	32

NUMERICAL INDEX OF PARTS

PART NO	PAGE	REF NO.
WS0621210KR	58	35
WS0822010KP	6	26
WS0861410KR	58	29
WS1002560KR	54	29
WS1002560KR	56	36
WS1643202KR	60	26
WS1643202KR	62	28
WS1643202KR	64	27
WS1643202KR	66	29
WZ0420350KP	2	37
WZ0420350KP	68	24
WZ0640312K0	40	43
WZ0850302K0	6	30
WZ2640310KH	10	15