

MODEL : MD10  
List No : 1395-01

# PARTS LIST

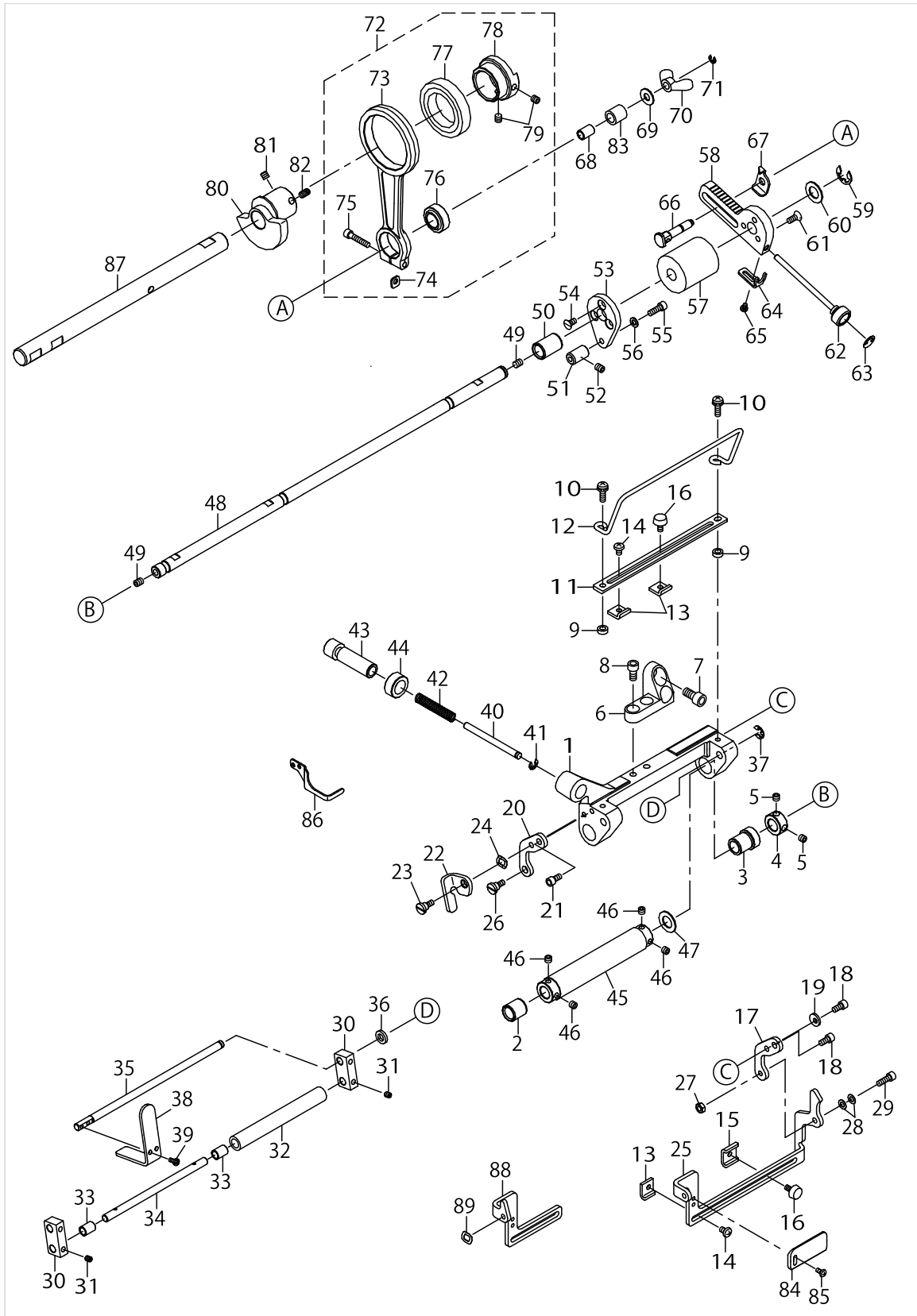
Published:05/12/2017

## CONTENTS

---

DEVICE COMPONENTS .....	1
ACCESSORIE PART COMPONENTS.....	5
HOW TO MAKE USE OF THIS PARTS LIST .....	7

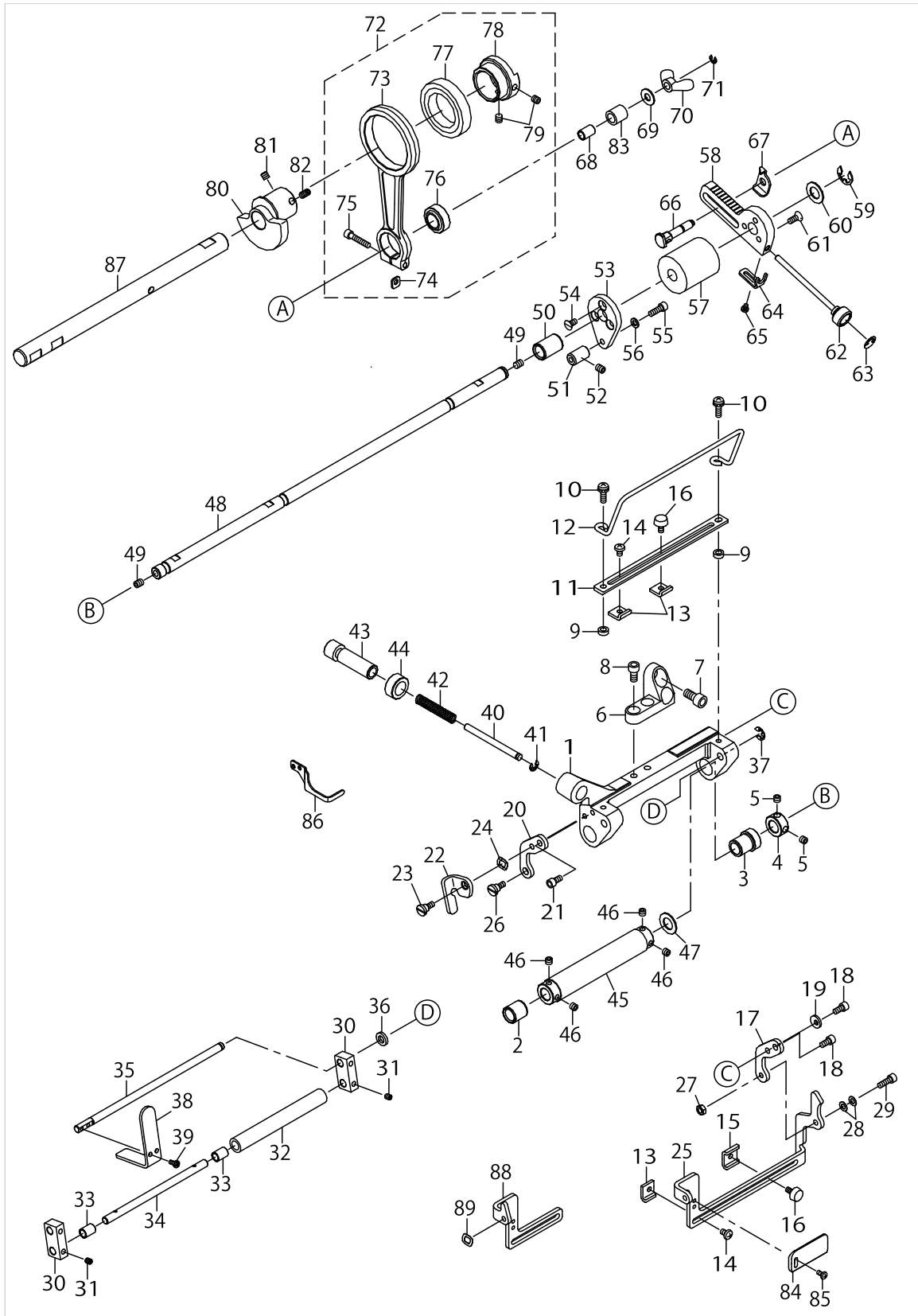
DEVICE COMPONENTS



DEVICE COMPONENTS

No.	Supply Code	Parts No.	Replacement	Parts name	Remarks	Choice	Step	Level	Cons	Qty	Rep. QTY
1		40013672		BASE						1	
2	D	40013673		DRIVE_SHAFT_METAL_B						1	
3	D	40020532		DRIVE_SHAFT_METAL_C						1	
4		CS1000881TP		THRUST COLLAR						1	
5		SM8050412TP		SCREW M5 L=4						2	
6		40013671		INSTALLING_BASE						1	
7		SM6061202TP		SCREW M6 L=12						2	
8		SM6051002TP		SCREW M5X0.8 L=10						2	
9		B3013141H0A		WASHER						2	
10		SL4041491SC		SCREW 4 X 14						2	
11	D	40013674		GUIDE_PLATE						1	
12	D	40011207		SUPPORT_GUIDE_B						1	
13		40018265		SIDE_GUIDE_A						3	
14		SM5040655SN		SCREW						2	
15		40018266		SIDE_GUIDE_B						1	
16		40019379		KNOB_SCREW						2	
17		40019666		GUIDE_ARM_MOUNTING_PLATE_R						1	
18		SM6040802TP		SCREW M4X0.7 L=8						2	
19	D	40011182		STOPPER						1	
20	D	40019667		GUIDE_ARM_MOUNTING_PLATE_L						1	
21		SM6040802TP		SCREW M4X0.7 L=8						1	
22		40019606		DRIVEN_ROLLER_STOPPER						1	
23		SD0600406TP		SHOULDER SCREW						1	
24		WZ0641510KP		WAVED WASHER 6.4X11X0.3						1	
25	D	40013679		GUIDE_ARM						1	
26		SD0600406TP		SHOULDER SCREW						1	
27		NM6040002SN		NUT M4						1	
28		WZ0420350KP		DISC SPRING						2	
29		SM6041202TP		SCREW M4X0.7 L=12						1	
30	D	40011172		DRIVEN_ROLLER_ARM						2	
31		SM8040512TP		SCREW						4	
32		40012263		DRIVEN_ROLLER						1	
33		40020360		DRIVEN_ROLLER_METAL						2	
34		40011171		DRIVEN_ROLLER_SHAFT						1	
35	D	40019609		DRIVEN_ROLLER_ARM_SHAFT						1	
36		WP0612066SP		WASHER 6.1X11X2						1	
37		RE0500000K0		E-RING						1	
38	D	40018261		PRESSER_PLATE						1	
39		SM4030655SP		SCREW						2	
40		40011178		PRESSER_BAR						1	
41		RE0400000K0		E-RING 4						1	
42	D	40019668		SPRING						1	
43		40011179		PRESSER SPRING REGULATOR						1	
44		40011180		NUT						1	
45		40012262		DRIVE_ROLLER						1	
46		SM8050412TP		SCREW M5 L=4						4	

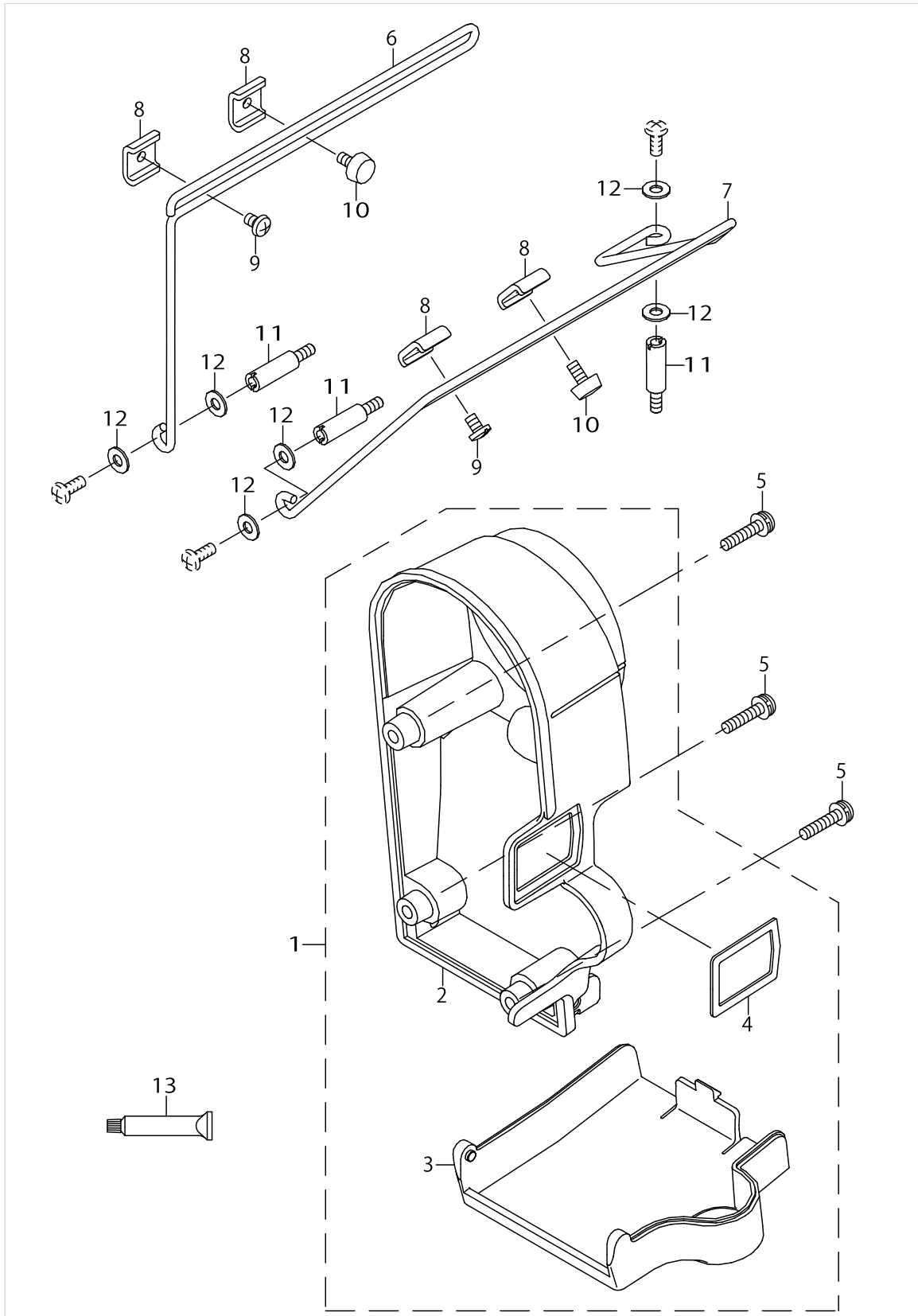
DEVICE COMPONENTS



DEVICE COMPONENTS

No.	Supply Code	Parts No.	Replacement	Parts name	Remarks	Choice	Step	Level	Cons	Qty	Rep. QTY
47		WP1021016SD		WASHER						1	
48	D	40019620		DRIVE_SHAFT						1	
49		SM8050612TP		SCREW M5X6						2	
50		40019621		DRIVE_SHAFT_METAL_A						1	
51		40011189		BUSHING						1	
52		SM8050612TP		SCREW M5X6						1	
53		40011190		CLUTCH_MOUNTING_PLATE						1	
54		SM1040800SP		SCREW						3	
55		SM6041202TP		SCREW M4X0.7 L=12						1	
56		WP0430800SC		WASHER M4						1	
57	R	40011191	40072935	CLUTCH						1	1.00
58		40011192		FEED_REGULATOR_ARM						1	
59		RE0800000K0		E-SHAPED SNAP RING (8MM)						1	
60		WP1021016SD		WASHER						1	
61		SM1041000SP		SCREW M4 L=10						3	
62		40011195		FEED_REGULATOR_SCREW						1	
63		11212503		STOPPER DIAL PLATE						1	
64		40011196		FEED_REGULATOR_FIX_PLATE						1	
65		SM4030455SP		SCREW						2	
66		40011198		FULCRUM_SHAFT						1	
67		40011197		SCALE_POINTER						1	
68		40019622		NEEDLE_INNER_RING						1	
69		WP0621046SP		WASHER						1	
70		NM9060610SE		WING NUT M6						1	
71		RE0300000K0		E-RING 3						1	
72		40020164		FEED_ROD_ASSY						1	
73		40011200		FEED_ROD				*		1	
74		40019629		SPACER				*		1	
75		SM6042002TP		SCREW M4X0.7 L=20				*		1	
76		40019994		SLIDE_SHAFT HOLDER				*		1	
77		SB130000500		BEARING				*		1	
78		40019637		FEED_CAM_B				*		1	
79		SM8050502TP		SCREW M5 L=5				*		2	
80		40019636		FEED_CAM_A						1	
81		SM8050502TP		SCREW M5 L=5						1	
82		SM8051002TP		SCREW M5 L=10						1	
83	R	40020284	SB30800120A	P=BEARING		A				1	1.00
83	R	40020284	SB30800120B	P=BEARING		B				1	1.00
83	R	40020284	SB30800120C	P=BEARING		C				1	1.00
84		40020003		PROTECTION_SHIELD						1	
85		SM4030655SP		SCREW						2	
86	D	40020004		FINGER_GUARD						1	
87		40011202		UPPER_MAINSHAFT_RIGHT						1	
88		40022240		GUIDE ARM SHORT	OPTIONAL PARTS					1	
89		WZ0641510KP		WAVED WASHER 6.4X11X0.3	OPTIONAL PARTS					1	

ACCESSORIE PART COMPONENTS



ACCESSORIE PART COMPONENTS

No.	Supply Code	Parts No.	Replacement	Parts name	Remarks	Choice	Step	Level	Cons	Qty	Rep. QTY
1		40020190		PULLEY_COVER_ASSY						1	
2		40011410		PULLEY_COVER_A				*		1	
3		40011411		PULLEY_COVER_B				*		1	
4		40020189		PULLEY_COVER_C				*		1	
5		SL4042091SC		SCREW M4X0.7 L=20						3	
6		40016042		SUPPORT_GUIDE_C						1	
7		40012144		SUPPORT_GUIDE_A						1	
8		40018266		SIDE_GUIDE_B						4	
9		SM5040655SN		SCREW						2	
10		40019379		KNOB_SCREW						2	
11		40011205		STUD						3	
12		WP0450826SC		WASHER 4.5X10X0.8						6	
13		13525506		GREASE TUBE						1	



## HOW TO MAKE USE OF THIS PARTS LIST

1.As to "#01" and "#02" refer to the "Note" given at the bottom of the respective pages.

2.Codes on the "Qty" column

- Each numeral indicates the number of parts required.
- "0.1" and "2.5" indicate the length (in meters) of the respective parts.

3.Parentheses mean that the corresponding part is a subpart that constructs an assembly part.

4.Dotted lines on the Figures indicate assembly parts.

1. リストページの#01、#02の印は、ページ下の"注記"の説明を参照下さい。
2. 数量欄の数字は、個数を表し、0.1、2.5等の数値は、長さ（単位メートル）を表します。
3. 数量欄の（ ）は、組部品を構成している子部品であることを意味します。
4. イラストページの-----枠は、組構成であることを意味します。

ALL PARTS NOT MENTIONED IN THIS PARTS LIST ARE SAME AS THOSE OF  
MODEL MF-7700. OTHER PARTS LIST RELATED TO THIS MODEL.  
\*MF-7700 SERIES (NO.1375 PART NO.13370002)

このパーツリスト記載以外の部品はMF-7700と共通です。  
この機種に関連するパーツリストとして下記のパーツリストがあります。  
\*MF-7700シリーズ（NO. 1375 品番13370002）

NUMERICAL INDEX OF PARTS

PART NO	PAGE	REF NO.	PART NO	PAGE	REF NO.	PART NO	PAGE	REF NO.
11212503	4	63	40019666	2	17	WP0612066SP	2	36
13525506	6	13	40019667	2	20	WP0621046SP	4	69
40011171	2	34	40019668	2	42	WP1021016SD	4	60
40011172	2	30	40019994	4	76	WZ0420350KP	2	28
40011178	2	40	40020003	4	84	WZ0641510KP	2	89
40011179	2	43	40020004	4	86	WZ0641510KP	4	89
40011180	2	44	40020164	4	72			
40011182	2	19	40020189	6	4			
40011189	4	51	40020190	6	1			
40011190	4	53	40020284	4	83			
40011191	4	57	40020360	2	33			
40011192	4	58	40020532	2	3			
40011195	4	62	40022240	4	88			
40011196	4	64	B3013141H0A	2	9			
40011197	4	67	CS1000881TP	2	4			
40011198	4	66	NM6040002SN	2	27			
40011200	4	73	NM9060610SE	4	70			
40011202	4	87	RE0300000K0	4	71			
40011205	6	11	RE0400000K0	2	41			
40011207	2	12	RE0500000K0	2	37			
40011410	6	2	RE0800000K0	4	59			
40011411	6	3	SB130000500	4	77			
40012144	6	7	SD0600406TP	2	26			
40012262	2	45	SL4041491SC	2	10			
40012263	2	32	SL4042091SC	6	5			
40013671	2	6	SM1040800SP	4	54			
40013672	2	1	SM1041000SP	4	61			
40013673	2	2	SM4030455SP	4	65			
40013674	2	11	SM4030655SP	2	85			
40013679	2	25	SM4030655SP	4	85			
40016042	6	6	SM5040655SN	2	14			
40018261	2	38	SM5040655SN	6	9			
40018265	2	13	SM6040802TP	2	21			
40018266	2	15	SM6041202TP	2	55			
40018266	6	8	SM6041202TP	4	55			
40019379	2	16	SM6042002TP	4	75			
40019379	6	10	SM6051002TP	2	8			
40019606	2	22	SM6061202TP	2	7			
40019609	2	35	SM8040512TP	2	31			
40019620	4	48	SM8050412TP	2	46			
40019621	4	50	SM8050502TP	4	81			
40019622	4	68	SM8050612TP	4	52			
40019629	4	74	SM8051002TP	4	82			
40019636	4	80	WP0430800SC	4	56			
40019637	4	78	WP0450826SC	6	12			