

MODEL : MF-7800

List No : 1380-06

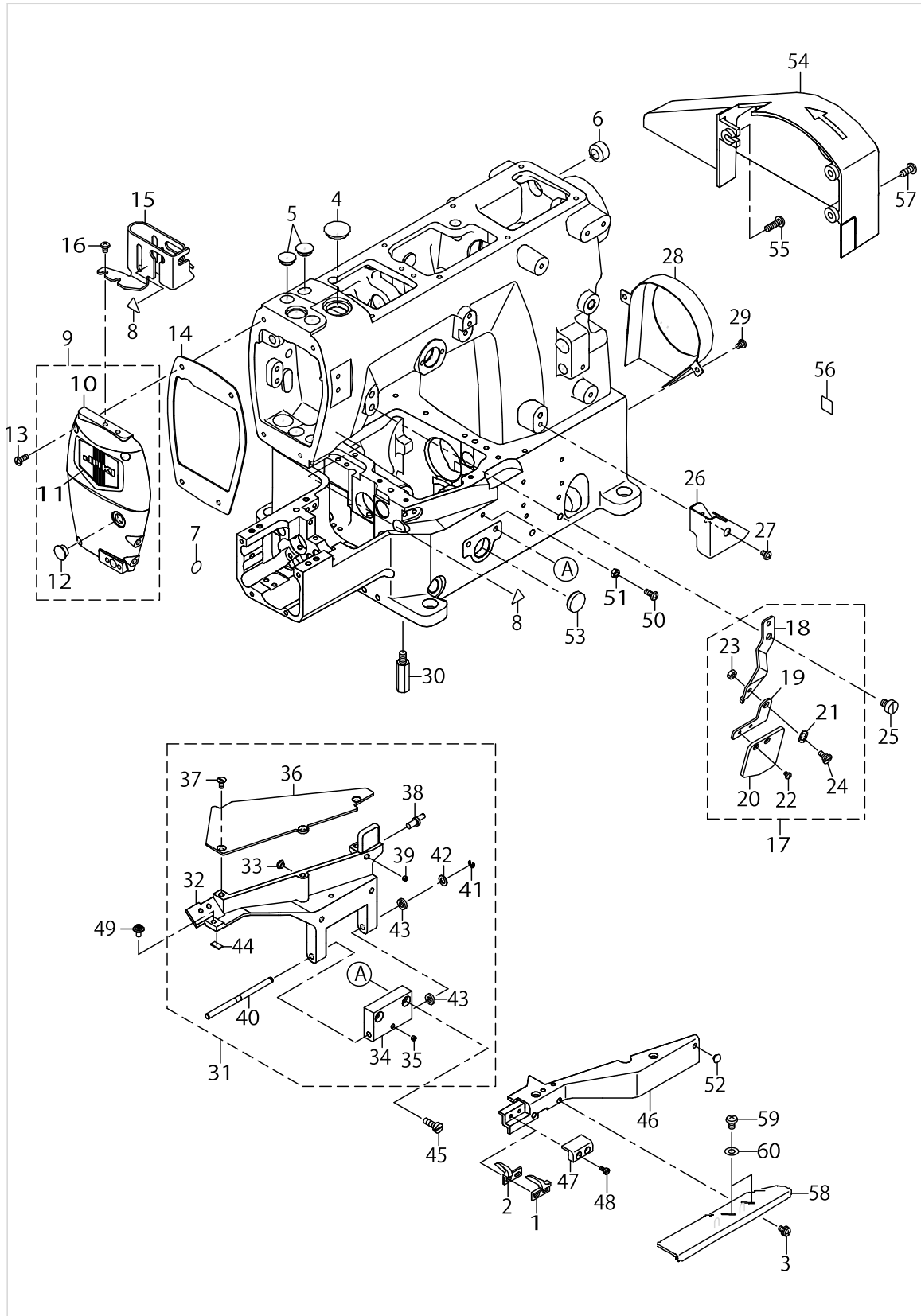
PARTS LIST

Published:05/12/2017

CONTENTS

| | |
|--|----|
| FRAME & MISCELLANEOUS COVER COMPONENTS (1) | 1 |
| FRAME & MISCELLANEOUS COVER COMPONENTS (2) | 5 |
| MAIN SHAFT COMPONENTS | 9 |
| NEEDLE BAR & PRESSER COMPONENTS..... | 13 |
| FEED DRIVE COMPONENTS (1) | 17 |
| FEED DRIVE COMPONENTS (2) | 23 |
| THREAD TAKE-UP LEVER COMPONENTS..... | 27 |
| SPREADER COMPONENTS..... | 31 |
| LOWER THREAD CAM COMPONENTS..... | 33 |
| NEEDLE GUARD COMPONENTS..... | 35 |
| LOOPER COMPONENTS | 37 |
| THREAD TENSION COMPONENTS | 41 |
| LUBRICATION COMPONENTS | 43 |
| THREAD STAND COMPONENTS..... | 49 |
| GAUGE PARTS COMPONENTS | 51 |
| NEEDLE COOLING MECHANISM COMPONENTS..... | 59 |
| ACCESSORIES PARTS COMPONENTS | 61 |
| LIST FOR INFORMATION OF CHANGE..... | 63 |
| HOW TO MAKE USE OF THIS PARTS LIST | 64 |

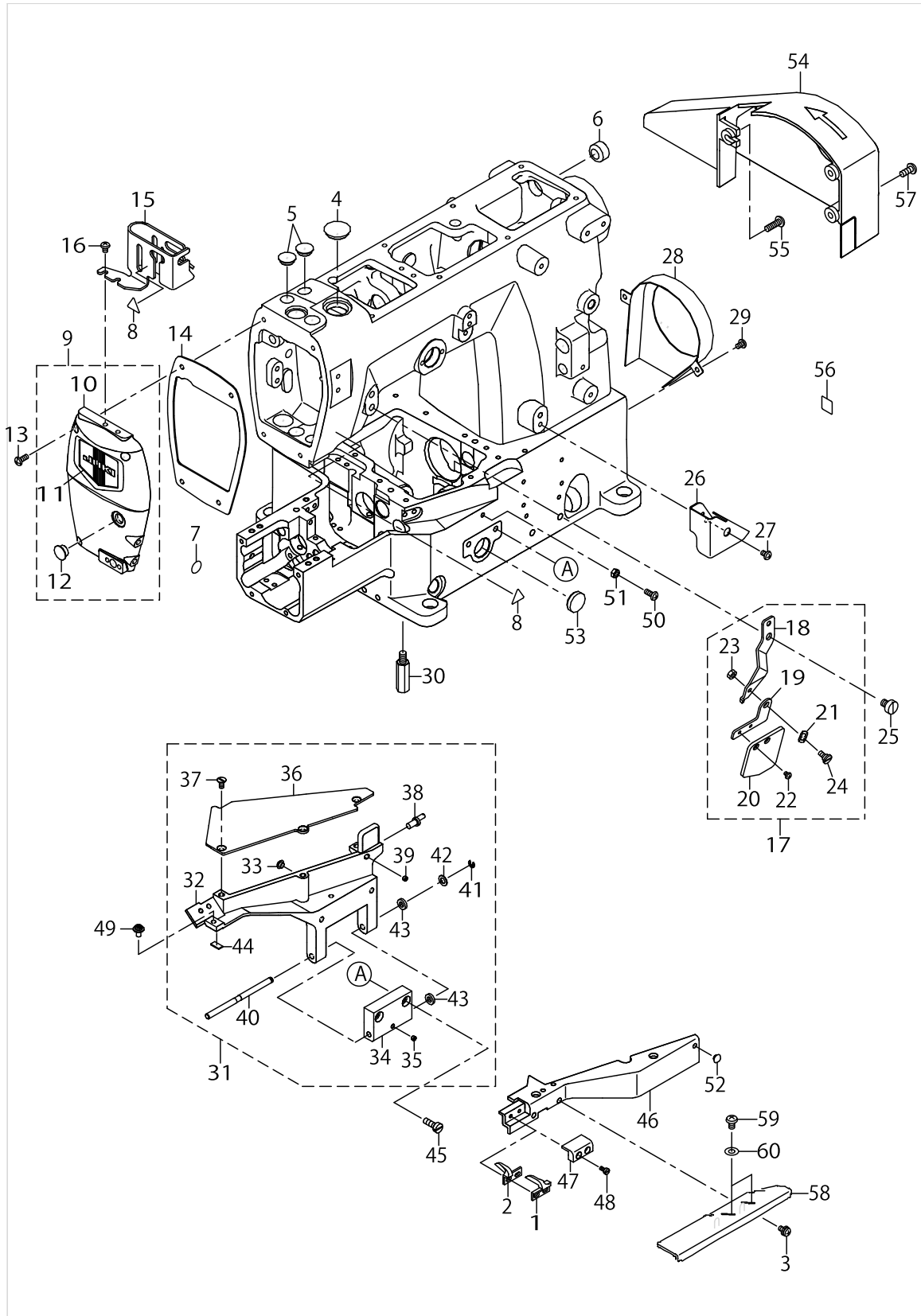
FRAME & MISCELLANEOUS COVER COMPONENTS (1)



FRAME & MISCELLANEOUS COVER COMPONENTS (1)

| No. | Supply Code | Parts No. | Replacement | Parts name | Remarks | Choice | Step | Level | Cons | Qty | Rep. QTY |
|-----|-------------|-------------|-------------|--------------------------|-----------------|--------|------|-------|------|-----|----------|
| 1 | | 13438007 | | COVERING_GUARD_R | FOR MF-7800-K10 | | | | | 1 | |
| 2 | | 13438106 | | COVERING_GUARD_L | FOR MF-7800-K10 | | | | | 1 | |
| 3 | | SL4040805SC | | SCREW | | | | | | 2 | |
| 4 | | TA2050406R0 | | RUBBER PLUG | | | | | | 1 | |
| 5 | | TA1250406R0 | | RUBBER PLUG D=12.5 L=4 | | | | | | 2 | |
| 6 | | TA1701002R0 | | RUBBER PLUG | | | | | | 1 | |
| 7 | | 22901805 | | GROUND MARK | | | | | | 1 | |
| 8 | | CM300200001 | | ATTENTION SEAL | | | | | | 2 | |
| 9 | | 13300959 | | ASSY_HEAD_COVER | | | | | | 1 | |
| 10 | | 13300900 | | HEAD COVER | | | | * | | 1 | |
| 11 | | 22902506 | | FACE PLATE | | | | * | | 1 | |
| 12 | | TA1050504R0 | | RUBBER PLUG | | | | * | | 1 | |
| 13 | | SM4041055SP | | SCREW | | | | | | 4 | |
| 14 | | 13301007 | | GASKET H | | | | | | 1 | |
| 15 | | 13301304 | | NEEDLE BAR GUARD | | | | | | 1 | |
| 16 | | SM4040655SP | | SCREW M4 L=6 | | | | | | 2 | |
| 17 | | 40033518 | | PROTECTION_SHIELD_ASSY | | | | | | 1 | |
| 18 | | 40033340 | | BRACKET HOLDER | | | | * | | 1 | |
| 19 | | 40033341 | | BRACKET | | | | * | | 1 | |
| 20 | | 13301700 | | PROTECTION SHIELD | | | | * | | 1 | |
| 21 | | WZ0641510KP | | WAVED WASHER 6.4X11X0.3 | | | | * | | 1 | |
| 22 | | SM4030455SN | | SCREW | | | | * | | 2 | |
| 23 | | NM6040001SP | | NUT M4X0.7 | | | | * | | 1 | |
| 24 | | SD0640246SP | | HINGE SCREW D=6.35 H=2.4 | | | | * | | 1 | |
| 25 | | SM6060800SP | | SCREW M6 L=8 | | | | | | 1 | |
| 26 | | 13301403 | | THREAD COVER | | | | | | 1 | |
| 27 | | SM4040655SP | | SCREW M4 L=6 | | | | | | 1 | |
| 28 | | 13302401 | | LMS_FAN_COVER | | | | | | 1 | |
| 29 | | SM4040655SP | | SCREW M4 L=6 | | | | | | 2 | |
| 30 | | 13301809 | | SUPPORT STUD | | | | | | 4 | |
| 31 | | 13400957 | | SWING_DOWN_COVER_ASSY | | | | | | 1 | |
| 32 | | 13400908 | | SWING DOWN COVER | | | | * | | 1 | |
| 33 | | 13302302 | | RUBBER BUMPER | | | | * | | 1 | |
| 34 | | 13401203 | | HINGE | | | | * | | 1 | |
| 35 | | SM8040360TP | | SCREW | | | | * | | 1 | |
| 36 | | 13401005 | | CLOTHPLATEFRONT | | | | * | | 1 | |
| 37 | | SM1040800SP | | SCREW | | | | * | | 3 | |
| 38 | | 13402706 | | PIN FOR COVER | | | | * | | 1 | |
| 39 | | SM8040360TP | | SCREW | | | | * | | 1 | |
| 40 | | 13403506 | | PIN_FOR_S_D_COVER | | | | * | | 1 | |
| 41 | | RE0300000K0 | | E-RING 3 | | | | * | | 1 | |
| 42 | | WP0550800SP | | WASHER 5.5X10X0.8 | | | | * | | 1 | |
| 43 | | 13302708 | | RUBBER_WASHER | | | | * | | 2 | |
| 44 | | 13403605 | | RUBBER_PLATE | | | | * | | 1 | |
| 45 | | SM6051400SP | | SCREW | | | | | | 2 | |
| 46 | | 13402904 | | BRACKET N | | | | | | 1 | |

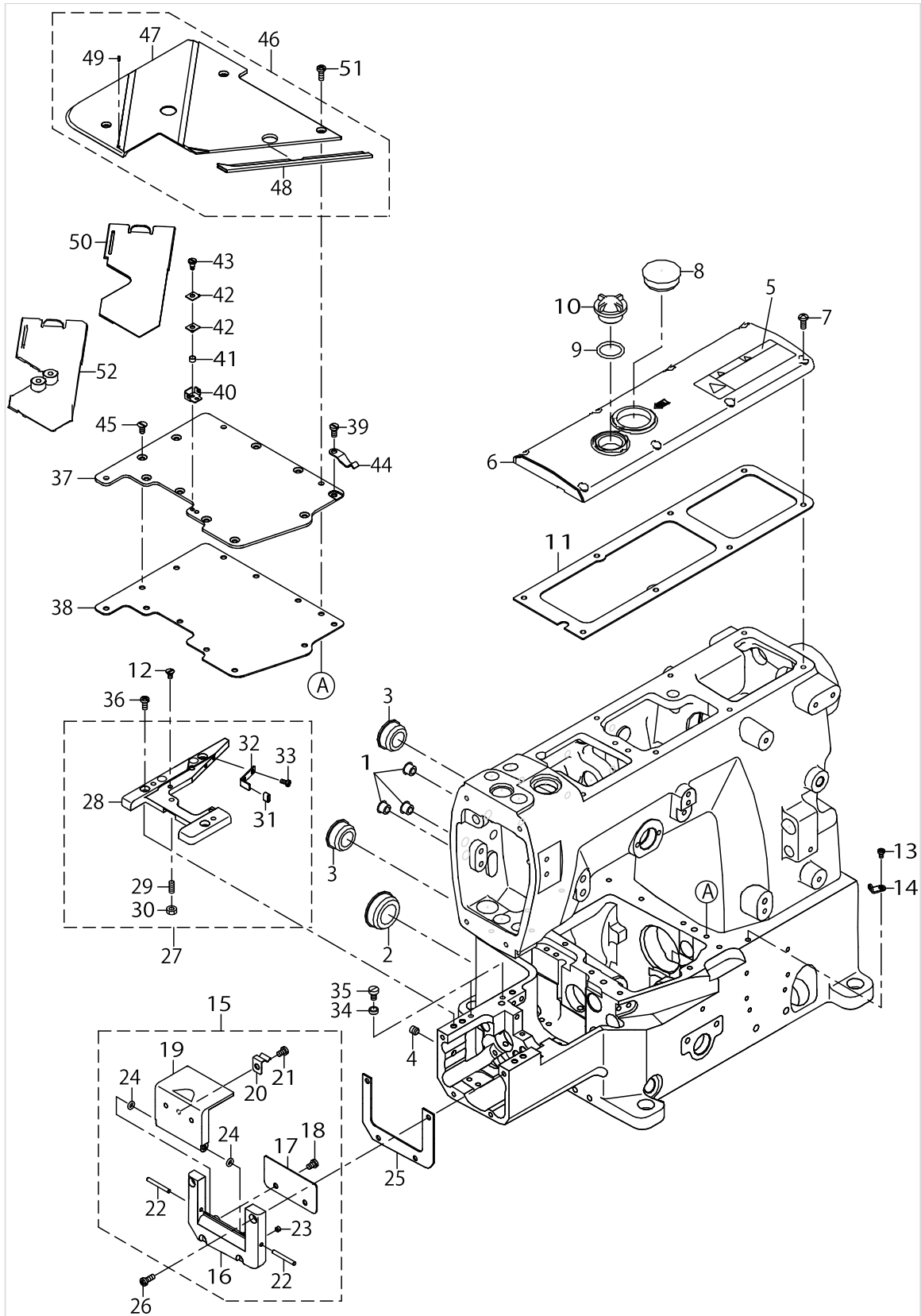
FRAME & MISCELLANEOUS COVER COMPONENTS (1)



FRAME & MISCELLANEOUS COVER COMPONENTS (1)

| No. | Supply Code | Parts No. | Replacement | Parts name | Remarks | Choice | Step | Level | Cons | Qty | Rep. QTY |
|-----|-------------|-------------|-------------|-------------------|-----------------|--------|------|-------|------|-----|----------|
| 47 | | 13401104 | | BRACKET | FOR MF-7800-U10 | | | | | 1 | |
| 48 | | SM6030600SP | | SCREW M3X0.5 L=6 | | | | | | 2 | |
| 49 | | SL4040805SC | | SCREW | | | | | | 2 | |
| 50 | | SM4041055SP | | SCREW | | | | | | 1 | |
| 51 | | NM6040001SP | | NUT M4X0.7 | | | | | | 1 | |
| 52 | | 13302302 | | RUBBER BUMPER | | | | | | 1 | |
| 53 | | TA1900502R0 | | RUBBER PLUG | | | | | | 1 | |
| 54 | | 40023349 | | BELT_COVER_ASSY | | | | | | 1 | |
| 55 | | SM4051655SP | | SCREW M5 L=16 | | | | | | 1 | |
| 56 | | CM600100101 | | WEEE MARK LABEL S | | | | | | 1 | |
| 57 | | SM4051255SP | | SCREW.,M5 L=12. | | | | | | 2 | |
| 58 | | 40022406 | | BINDER_BRACKET | | | | | | 1 | |
| 59 | | SM5050855SN | | SCREW M5 L=8 | | | | | | 2 | |
| 60 | | WP0550836SC | | WASHER 5.5X12X0.8 | | | | | | 2 | |

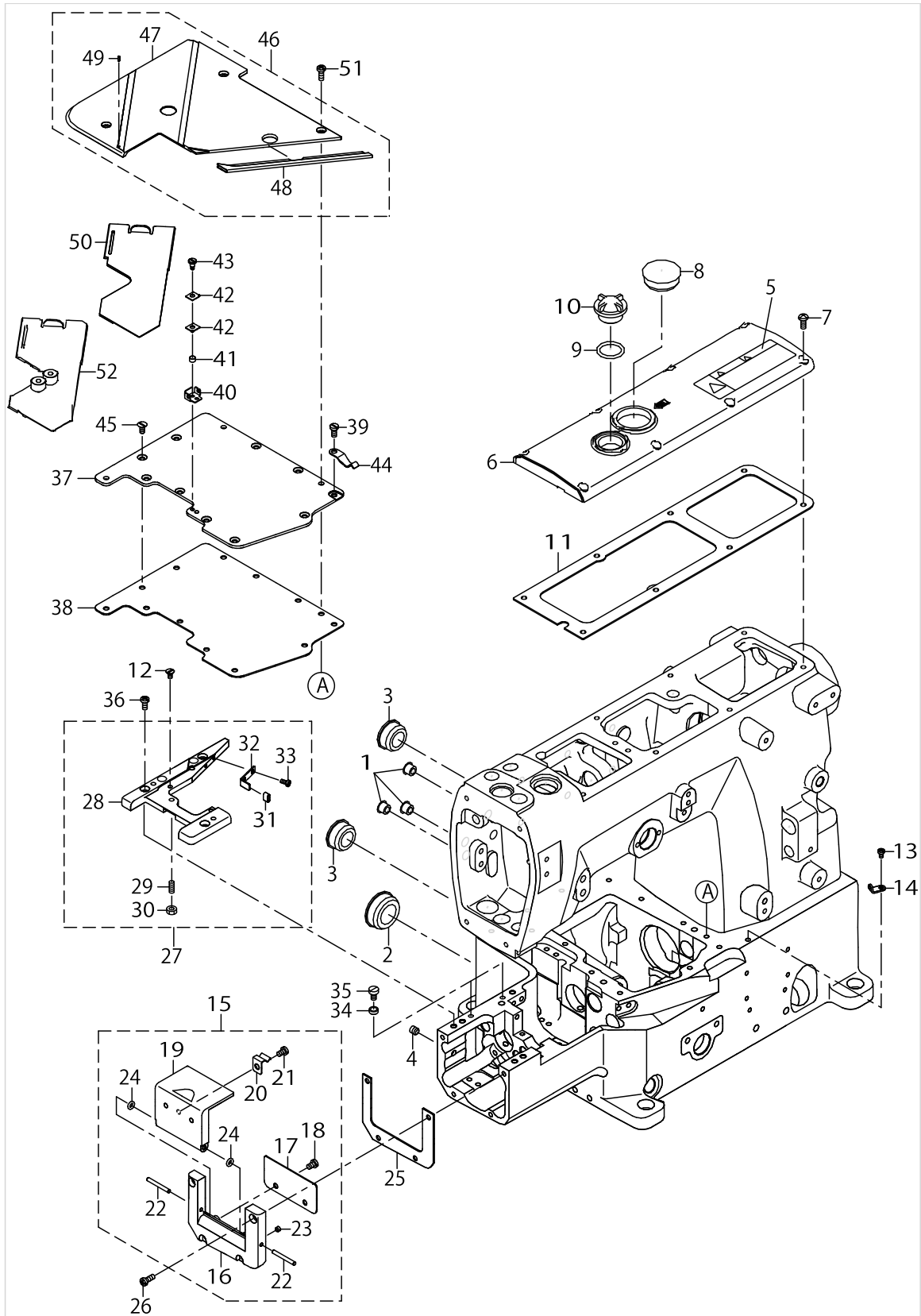
FRAME & MISCELLANEOUS COVER COMPONENTS (2)



FRAME & MISCELLANEOUS COVER COMPONENTS (2)

| No. | Supply Code | Parts No. | Replacement | Parts name | Remarks | Choice | Step | Level | Cons | Qty | Rep. QTY |
|-----|-------------|-------------|-------------|--------------------------|---------|--------|------|-------|------|------|----------|
| 1 | | TA0850604R0 | | RUBBER PLUG | | | | | | 3 | |
| 2 | | 10753309 | | WINDOW PLATE RUBBER PLUG | | | | | | 1 | |
| 3 | | TA2351004R0 | | RUBBER PLUG | | | | | | 2 | |
| 4 | | SM8060612TP | | SCREW M6 L=6 | | | | | | 2 | |
| 5 | | CM3002001B1 | | SAFETY LABEL 12 | | | | | | 1 | |
| 6 | | 13300702 | | TOP COVER | | | | | | 1 | |
| 7 | | SM4041055SP | | SCREW | | | | | | 8 | |
| 8 | | 10753309 | | WINDOW PLATE RUBBER PLUG | | | | | | 1 | |
| 9 | | RO195240100 | | RUBBER RING | | | | | | 1 | |
| 10 | | 22924708 | | OIL SIGHT WINDOW | | | | | | 1 | |
| 11 | | 13300801 | | GASKET T | | | | | | 1 | |
| 12 | | 13302203 | | SCREW | | | | | | 2 | |
| 13 | | 13402201 | | LOOPER THD GUIDE | | | | | | 1 | |
| 14 | | SM4040655SP | | SCREW M4 L=6 | | | | | | 1 | |
| 15 | | 13401757 | | SIDE_COVER_ASSY | | | | | | 1 | |
| 16 | | 13401500 | | CYLINDER COVER | | | | * | | 1 | |
| 17 | | 13401807 | | CYLINDER COVER PLATE | | | | * | | 1 | |
| 18 | | SM4040655SP | | SCREW M4 L=6 | | | | * | | 2 | |
| 19 | R | 13401708 | 13401757 | SIDE COVER | | | | * | | 1 | 1.00 |
| 20 | | 13401906 | | LATCH SPRING 2 | | | | * | | 1 | |
| 21 | | SM4040655SP | | SCREW M4 L=6 | | | | * | | 1 | |
| 22 | | PH0300252C0 | | PARALLEL PIN | | | | * | | 2 | |
| 23 | | SM8040360TP | | SCREW | | | | * | | 2 | |
| 24 | | RO037180100 | | RUBBER RING | | | | * | | 2 | |
| 25 | | 13401609 | | GASKET | | | | | | 1 | |
| 26 | | SM4041055SP | | SCREW | | | | | | 4 | |
| 27 | | 13400650 | | ASSY_TP_SUPPORT | | | | | | 1 | |
| 28 | R | 13400601 | 13400650 | THROAT PLATE SUPPORT | | | | * | | 1 | 1.00 |
| 29 | | SM8041012TP | | SCREW M4 L=10 | | | | * | | 1 | |
| 30 | | NM6040001SP | | NUT M4X0.7 | | | | * | | 1 | |
| 31 | | 23630007 | | TUBE | | | | * | | 0.01 | |
| 32 | | 13403407 | | SLIDE_COVER_SUPPORT | | | | * | | 1 | |
| 33 | | SM4030655SP | | SCREW | | | | * | | 2 | |
| 34 | | 40082196 | | ADJUSTING_COLLAR | | | | | | 2 | |
| 35 | | SM6040750TP | | SCREW M4 L=7 | | | | | | 2 | |
| 36 | | SM4040855SP | | SCREW | | | | | | 3 | |
| 37 | | 13400700 | | BED TOP COVER | | | | | | 1 | |
| 38 | | 13400809 | | GASKET B | | | | | | 1 | |
| 39 | | SM6040860TP | | SCREW M4 L=8 | | | | | | 1 | |
| 40 | | 13402300 | | NIPPER PLATE | | | | | | 1 | |
| 41 | | 13402805 | | SPRING | | | | | | 1 | |
| 42 | | 13402409 | | NIPPER SPRING PLATE | | | | | | 2 | |
| 43 | | 13326202 | | SHOULDER SCREW | | | | | | 1 | |
| 44 | | 13402003 | | LATCH SPRING | | | | | | 1 | |
| 45 | | SM1040860SP | | SCREW | | | | | | 9 | |
| 46 | | 13401351 | | CLOTH_PLATE_ASSY | | | | | | 1 | |

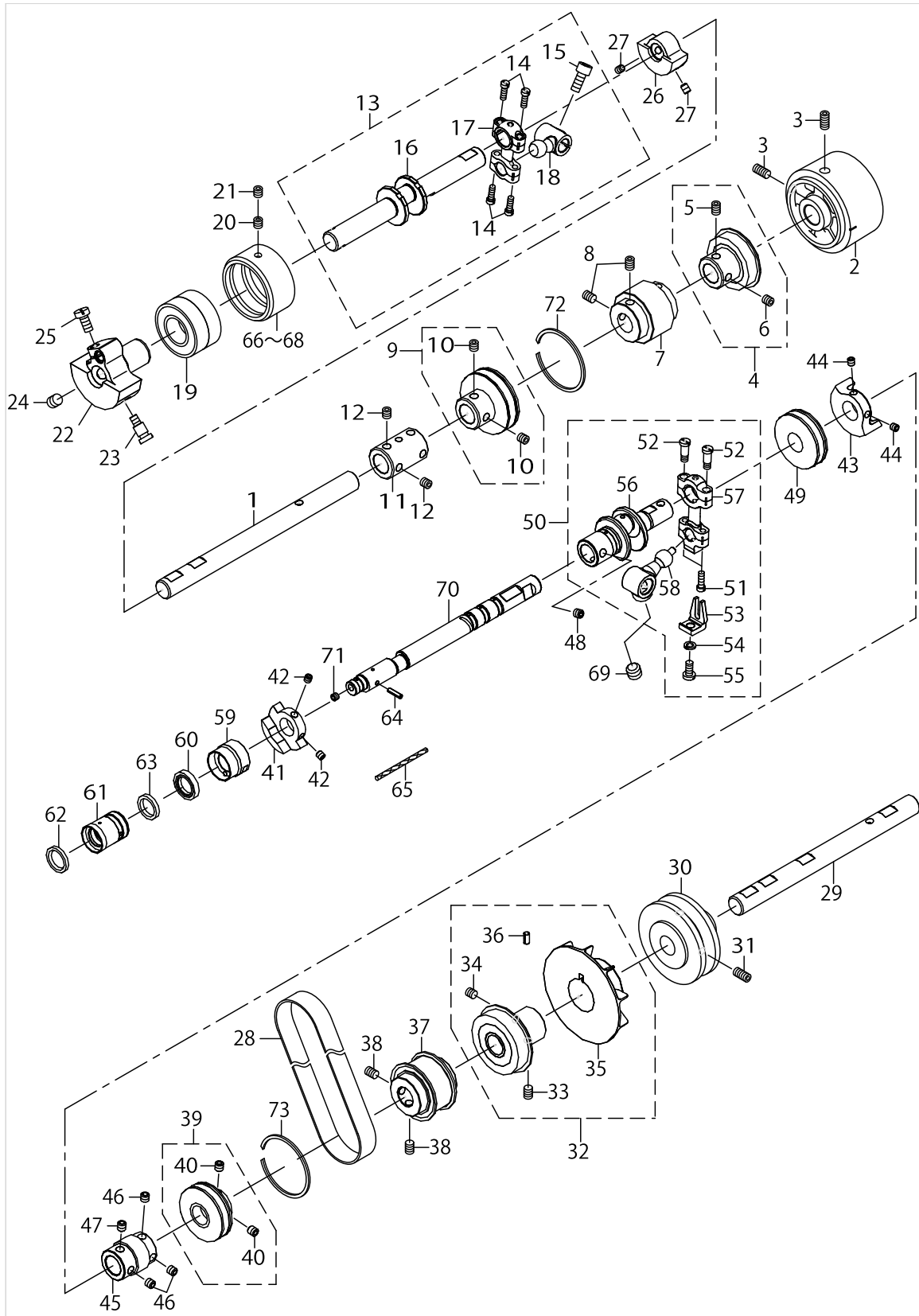
FRAME & MISCELLANEOUS COVER COMPONENTS (2)



FRAME & MISCELLANEOUS COVER COMPONENTS (2)

| No. | Supply Code | Parts No. | Replacement | Parts name | Remarks | Choice | Step | Level | Cons | Qty | Rep. QTY |
|-----|-------------|-------------|-------------|-------------------------|-------------------------------|--------|------|-------|------|-----|----------|
| 47 | R | 13401302 | 13401351 | CLOTH PLATE REAR | | | | * | | 1 | 1.00 |
| 48 | R | 13402102 | 13401351 | THD GUIDE | | | | * | | 1 | 1.00 |
| 49 | | PS0150042K0 | | SPRING PIN 1.5X 4 | | | | * | | 1 | |
| 50 | | 13401401 | | SLIDE COVER | | | | | | 1 | |
| 51 | | SM4041055SP | | SCREW | | | | | | 3 | |
| 52 | | 40053156 | | SLIDE_COVER_ASSY_U10_AH | FOR HEM GUIDE(OPTIONAL PARTS) | | | | | 1 | |

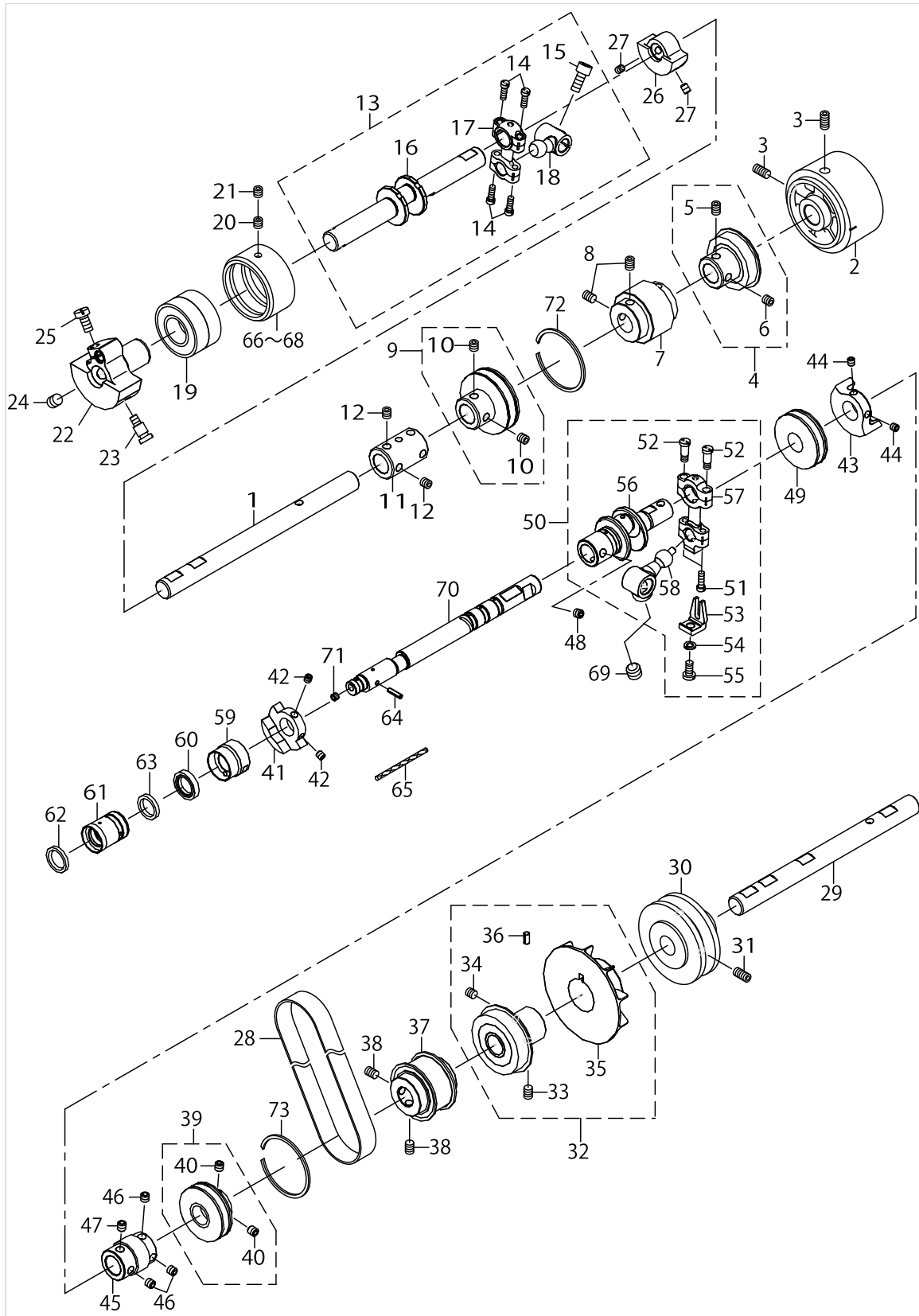
MAIN SHAFT COMPONENTS



MAIN SHAFT COMPONENTS

| No. | Supply Code | Parts No. | Replacement | Parts name | Remarks | Choice | Step | Level | Cons | Qty | Rep. QTY |
|-----|-------------|-------------|-------------|-------------------------|---------|--------|------|-------|------|-----|----------|
| 1 | | 13307004 | | UPPER MAINSHAFT RIGHT | | | | | | 1 | |
| 2 | | 13406608 | | UPPER_PULLEY | | | | | | 1 | |
| 3 | | SM8061212TP | | SCREW M6X12 | | | | | | 2 | |
| 4 | | 13307251 | | BEARING ASSY A | | | | | | 1 | |
| 5 | | SM8060842TP | | SCREW M6 L=8 | | | | * | | 1 | |
| 6 | | SM8060612TP | | SCREW M6 L=6 | | | | * | | 1 | |
| 7 | | 13307301 | | UMS_SPROCKET | | | | | | 1 | |
| 8 | | SM8060812TP | | SCREW M6 L=8 | | | | | | 4 | |
| 9 | | 13307459 | | BEARING ASSY B | | | | | | 1 | |
| 10 | | SM8060612TP | | SCREW M6 L=6 | | | | * | | 2 | |
| 11 | | 13307509 | | JOINT | | | | | | 1 | |
| 12 | | SM8060612TP | | SCREW M6 L=6 | | | | | | 4 | |
| 13 | | 13307657 | | UMS_LEFT_ROD_ASSY | | | | | | 1 | |
| 14 | | 13324108 | | SCREW | | | | * | | 4 | |
| 15 | | SM6061402TP | | SCREW M6 L=14 | | | | * | | 1 | |
| 16 | R | 13307608 | 13307657 | UPPER MAINSHAFT LEFT | | | | * | | 1 | 1.00 |
| 17 | R | 13324009 | 13307657 | ROD | | | | * | | 1 | 1.00 |
| 18 | R | 13324207 | 13307657 | CRANK | | | | * | | 1 | 1.00 |
| 19 | | SB120001900 | | BEARING | | | | | | 1 | |
| 20 | | SM8060842TP | | SCREW M6 L=8 | | | | | | 1 | |
| 21 | | SM8060612TP | | SCREW M6 L=6 | | | | | | 1 | |
| 22 | | 13307707 | | COUNTER WEIGHT | | | | | | 1 | |
| 23 | | 13309208 | | SCREW_FOR_COUNTERWEIGHT | | | | | | 1 | |
| 24 | | SM8080812TP | | SCREW M8X8 | | | | | | 1 | |
| 25 | | SM6061200SP | | SCREW | | | | | | 1 | |
| 26 | | 13408307 | | BALANCE_WEIGHT_UMS | | | | | | 1 | |
| 27 | | SM8060812TP | | SCREW M6 L=8 | | | | | | 2 | |
| 28 | | 13406905 | | TIMING_BELT | | | | | | 1 | |
| 29 | | 13407101 | | LOWER MAINSHAFT RIGHT | | | | | | 1 | |
| 30 | | 13406707 | | LOWER_PULLEY | | | | | | 1 | |
| 31 | | SM8061212TP | | SCREW M6X12 | | | | | | 2 | |
| 32 | | 13309158 | | BEARING_ASSY_F | | | | | | 1 | |
| 33 | | SM8060842TP | | SCREW M6 L=8 | | | | * | | 1 | |
| 34 | | SM8060612TP | | SCREW M6 L=6 | | | | * | | 1 | |
| 35 | | 13309000 | | LMS_FAN | | | | * | | 1 | |
| 36 | | PS0400082KP | | SPRING PIN | | | | * | | 1 | |
| 37 | | 13308309 | | LMS SPROCKET | | | | | | 1 | |
| 38 | | SM8060812TP | | SCREW M6 L=8 | | | | | | 4 | |
| 39 | | 13407457 | | BEARING_ASSY_E | | | | | | 1 | |
| 40 | | SM8060612TP | | SCREW M6 L=6 | | | | * | | 2 | |
| 41 | | 13408406 | | BALANCE_WEIGHT_LMS_1 | | | | | | 1 | |
| 42 | | SM8050512TP | | SCREW | | | | | | 2 | |
| 43 | | 13408505 | | BALANCE_WEIGHT_LMS_2 | | | | | | 1 | |
| 44 | | SM8050512TP | | SCREW | | | | | | 2 | |
| 45 | | 13407507 | | JOINT GEAR | | | | | | 1 | |
| 46 | | SM8060552TP | | SCREW M6 L=5 | | | | | | 3 | |

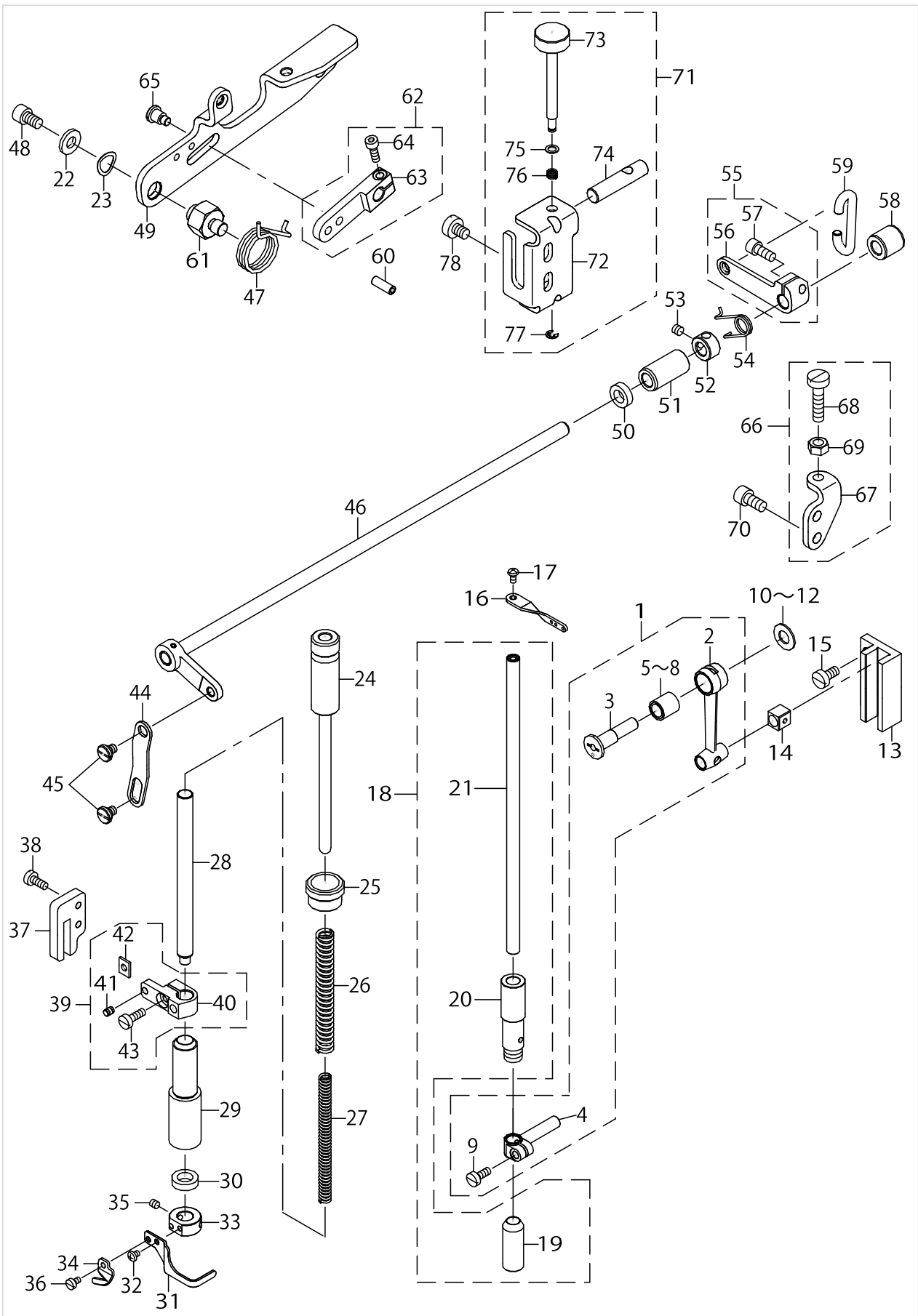
MAIN SHAFT COMPONENTS



MAIN SHAFT COMPONENTS

| No. | Supply Code | Parts No. | Replacement | Parts name | Remarks | Choice | Step | Level | Cons | Qty | Rep. QTY |
|-----|-------------|-------------|-------------|---------------------------|-----------------|--------|------|-------|------|-----|----------|
| 47 | | SM8060842TP | | SCREW M6 L=8 | | | | | | 1 | |
| 48 | | SM8060552TP | | SCREW M6 L=5 | | | | | | 2 | |
| 49 | | SB115002300 | | BEARING | | | | | | 1 | |
| 50 | | 13407259 | | CRANK_JOINT_ROD_ASSY | | | | | | 1 | |
| 51 | | 13324108 | | SCREW | | | | * | | 2 | |
| 52 | | SD0550906TP | | SHOULDER SCREW | | | | * | | 2 | |
| 53 | R | 13337100 | 13308150 | GUIDE LOOPER ROD | | | | * | | 1 | 1.00 |
| 54 | | WS0510002KP | | SPRING WASHER 5.1X9.2X1.3 | | | | * | | 1 | |
| 55 | | SM4051055SP | | SCREW | | | | * | | 1 | |
| 56 | | 13407200 | | CRANK JOINT | | | | * | | 1 | |
| 57 | | 13424205 | | ROD | | | | * | | 1 | |
| 58 | | 13424106 | | CRANK | | | | * | | 1 | |
| 59 | | 40088113 | | BUSHING_LMS_MIDDLE | | | | | | 1 | |
| 60 | | 13408703 | | OIL_SEAL | | | | | | 1 | |
| 61 | | 13407804 | | BUSHING LMS LEFT | | | | | | 1 | |
| 62 | | 13407903 | | OIL SEAL | | | | | | 1 | |
| 63 | | 13408604 | | FELT_LMS_LEFT_BUSH | | | | | | 1 | |
| 64 | | PS0300122KH | | SPRING PIN 3X12 | | | | | | 1 | |
| 65 | | CQ300000001 | | OIL WICK | | | | | | .05 | |
| 66 | | 13307806 | | HOUSING A | SELECTIVE PARTS | | | | | 1 | |
| 67 | | 13309307 | | HOUSING B | SELECTIVE PARTS | | | | | 1 | |
| 68 | | 13309406 | | HOUSING C | SELECTIVE PARTS | | | | | 1 | |
| 69 | | SM8550952TP | | SCREW | | | | | | 1 | |
| 70 | | 13407606 | | LOWER MAINSHAFT LEFT | | | | | | 1 | |
| 71 | | SM8050412TP | | SCREW M5 L=4 | | | | | | 1 | |
| 72 | | RC4881514KP | | C-RING | | | | | | 1 | |
| 73 | | RC4381514KP | | C-RING | | | | | | 1 | |

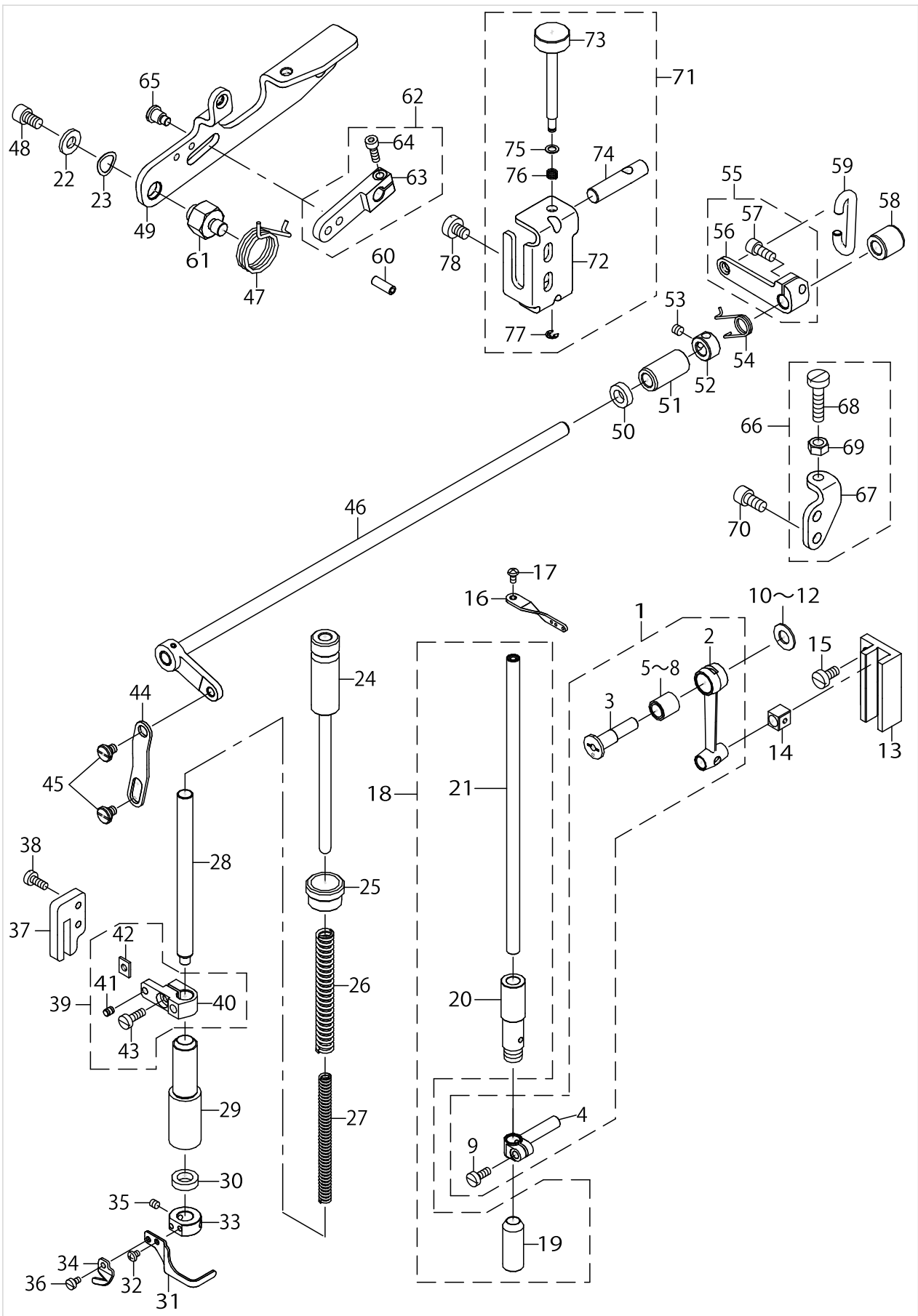
NEEDLE BAR & PRESSER COMPONENTS



NEEDLE BAR & PRESSER COMPONENTS

| No. | Supply Code | Parts No. | Replacement | Parts name | Remarks | Choice | Step | Level | Cons | Qty | Rep. QTY |
|-----|-------------|-------------|-------------|----------------------|-----------------|--------|------|-------|------|-----|----------|
| 1 | | 13311253 | | ASSY_NEEDLE_MECH | | | | | | 1 | |
| 2 | R | 13311204 | 13311253 | CONNECTING ROD | | | | * | | 1 | 1.00 |
| 3 | R | 13311006 | 13311253 | ECCENTRIC PIN | | | | * | | 1 | 1.00 |
| 4 | | 13311303 | | NEEDLE BAR CLAMP | | | | * | | 1 | |
| 5 | D | SB30800110A | | BEARING | SELECTIVE PARTS | | | * | | 1 | |
| 6 | | SB30800110B | | BEARING | SELECTIVE PARTS | | | * | | 1 | |
| 7 | | SB30800110C | | BEARING | SELECTIVE PARTS | | | * | | 1 | |
| 8 | | SB30800110D | | BEARING | SELECTIVE PARTS | | | * | | 1 | |
| 9 | | SM6041000SP | | SCREW M4 L=10 | | | | * | | 1 | |
| 10 | | 13312103 | | THRUST_WASHER | SELECTIVE PARTS | | | | | 1 | |
| 11 | | 13312202 | | THRUST_WASHER | SELECTIVE PARTS | | | | | 1 | |
| 12 | | 13312301 | | THRUST_WASHER | SELECTIVE PARTS | | | | | 1 | |
| 13 | | 13311600 | | NEEDLE BAR GUIDE | | | | | | 1 | |
| 14 | | 13311501 | | SLIDE BLOCK | | | | | | 1 | |
| 15 | | SM6051000SP | | SCREW | | | | | | 3 | |
| 16 | | 13326806 | | NEEDLE BAR EYELET | | | | | | 1 | |
| 17 | | SM4030655SP | | SCREW | | | | | | 1 | |
| 18 | | 13311956 | | ASSY_BUSHING_NB | | | | | | 1 | |
| 19 | R | 13311907 | 13311956 | BUSHING NB LOWER | | | | * | | 1 | 1.00 |
| 20 | R | 13311808 | 13311956 | BUSHING NB UPPER | | | | * | | 1 | 1.00 |
| 21 | | 13311451 | | NEEDLE BAR ASSY | | | | * | | 1 | |
| 22 | | WP0702026SP | | WASHER 7X15X2 | | | | | | 1 | |
| 23 | | WZ1052010KP | | WAVED WASHER | | | | | | 1 | |
| 24 | | 40070573 | | ADJ SCREW P B ASSY | | | | | | 1 | |
| 25 | R | 13313101 | 13313068 | LOCKING NUT | | | | | | 1 | 1.00 |
| 26 | | 13313309 | | SPRING PRESSER BAR A | | | | | | 1 | |
| 27 | | 13313408 | | SPRING PRESSER BAR B | | | | | | 1 | |
| 28 | | 40070559 | | PRESSER BAR | | | | | | 1 | |
| 29 | | 13313705 | | BUSHING PRESSER BAR | | | | | | 1 | |
| 30 | | 13315908 | | OIL SEAL | | | | | | 1 | |
| 31 | | 40018259 | | FINGER_GUARD | | | | | | 1 | |
| 32 | | SM4030455SP | | SCREW | | | | | | 1 | |
| 33 | | 13313606 | | COLLAR | | | | | | 1 | |
| 34 | | 13316302 | | THREAD_TRIMMER | | | | | | 1 | |
| 35 | | SM8040412TP | | SET SCREW M4 L=4 | | | | | | 2 | |
| 36 | | SM6030500SN | | SCREW M3 L=5 | | | | | | 1 | |
| 37 | | 13313804 | | GUIDE PLATE | | | | | | 1 | |
| 38 | | SM6041000SP | | SCREW M4 L=10 | | | | | | 2 | |
| 39 | | 13313952 | | P_B_BRACKET_ASSY | | | | | | 1 | |
| 40 | R | 13313903 | 13313952 | PRESSER BAR BRACKET | | | | * | | 1 | 1.00 |
| 41 | | 13316203 | | P_B_BRACKET_PIN | | | | * | | 1 | |
| 42 | | 13333208 | | WASHER | | | | * | | 1 | |
| 43 | | SM6041200SP | | SCREW M4 L=12 | | | | * | | 1 | |
| 44 | | 13314109 | | LINK | | | | | | 1 | |
| 45 | | SD0700206TP | | SHOULDER SCREW | | | | | | 2 | |
| 46 | | 13314356 | | ASSY LIFTER SHAFT | | | | | | 1 | |

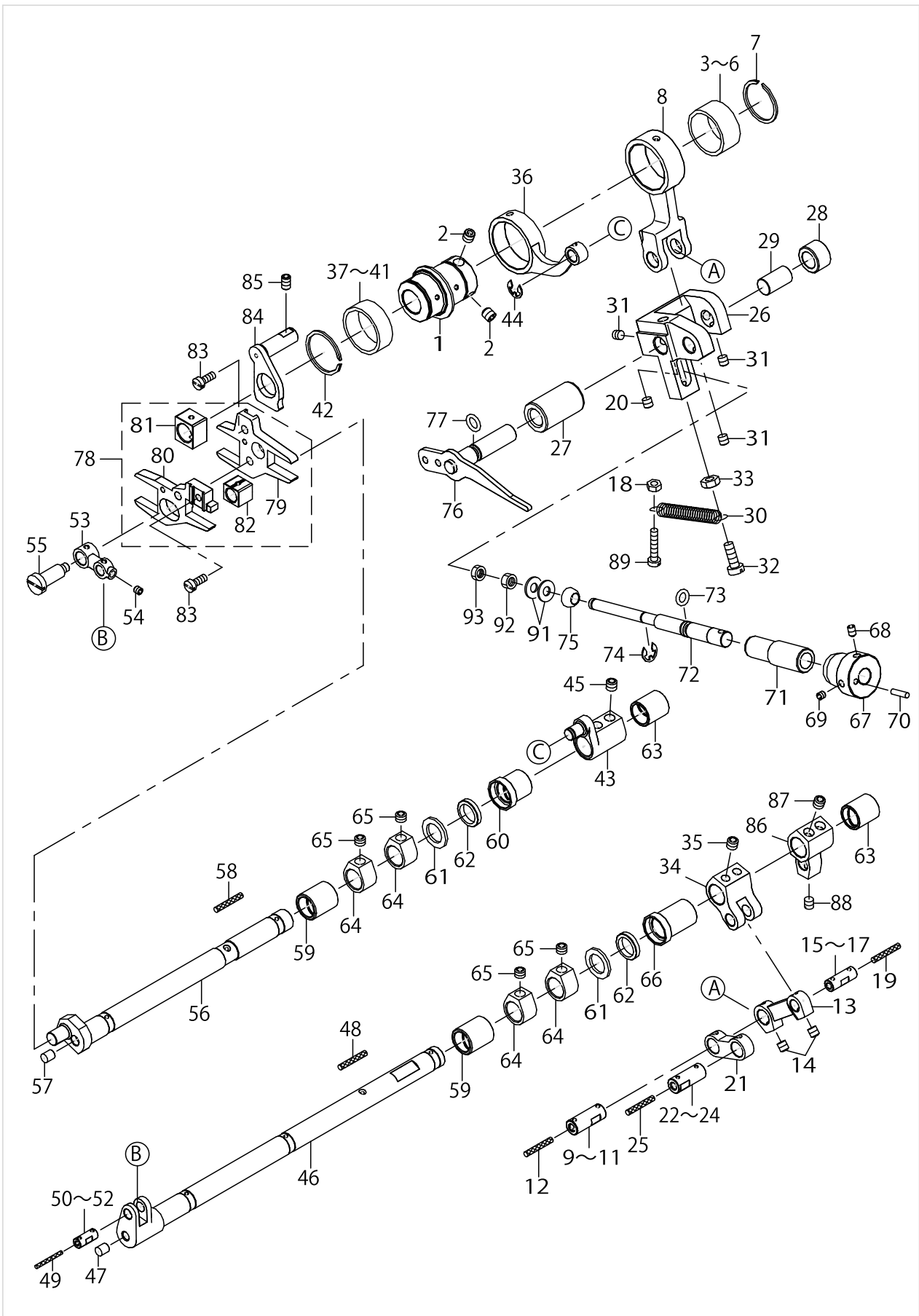
NEEDLE BAR & PRESSER COMPONENTS



NEEDLE BAR & PRESSER COMPONENTS

| No. | Supply Code | Parts No. | Replacement | Parts name | Remarks | Choice | Step | Level | Cons | Qty | Rep. QTY |
|-----|-------------|-------------|-------------|-------------------------|---------|--------|------|-------|------|-----|----------|
| 47 | | 13315205 | | SPRING LIFTER LEVER | | | | | | 1 | |
| 48 | | SM6061002TP | | SCREW M6 L=10 | | | | | | 1 | |
| 49 | | 13315007 | | LIFTER LEVER | | | | | | 1 | |
| 50 | | 23537202 | | HOOK SHAFT OIL SEAL | | | | | | 1 | |
| 51 | | 13314406 | | BUSHING LIFTER FRONT | | | | | | 1 | |
| 52 | | CS0800881TP | | THRUST COLLAR | | | | | | 1 | |
| 53 | | SM8050412TP | | SCREW M5 L=4 | | | | | | 2 | |
| 54 | | 13314802 | | SPRING PF LIFT | | | | | | 1 | |
| 55 | | 13314752 | | LIFTER_SHAFT_LEVER_ASSY | | | | | | 1 | |
| 56 | | 13314703 | | LIFTER SHAFT LEVER | | | | * | | 1 | |
| 57 | | SM6051202TP | | SCREW M5X0.8 L=12 | | | | * | | 1 | |
| 58 | | 13314505 | | BUSHING LIFTER REAR | | | | | | 1 | |
| 59 | | 13314901 | | LIFTER HOOK | | | | | | 1 | |
| 60 | | PS0500142KP | | SPRING PIN | | | | | | 1 | |
| 61 | | 13315106 | | LIFTER LEVER HOLDER | | | | | | 1 | |
| 62 | | 13315353 | | TENS_RELEASE_LEVER_ASSY | | | | | | 1 | |
| 63 | | 13315304 | | TENSION RELEASE LEVER | | | | * | | 1 | |
| 64 | | SM6041202TP | | SCREW M4X0.7 L=12 | | | | * | | 1 | |
| 65 | | SD0700586TP | | SHOULDER SCREW | | | | | | 1 | |
| 66 | | 13315551 | | STOPPER_ASSY | | | | | | 1 | |
| 67 | | 13315502 | | LIFTER LEVER STOPPER | | | | * | | 1 | |
| 68 | | SM6062550TP | | SCREW M6 L=25 | | | | * | | 1 | |
| 69 | | NM6060001CP | | NUT M6 | | | | * | | 1 | |
| 70 | | SM6061202TP | | SCREW M6 L=12 | | | | | | 2 | |
| 71 | | 13315650 | | MINUTE_LIFTING_ASSY | | | | | | 1 | |
| 72 | | 13315601 | | BRACKET | | | | * | | 1 | |
| 73 | | 13315700 | | SCREW | | | | * | | 1 | |
| 74 | | 13315809 | | SLIDER | | | | * | | 1 | |
| 75 | | WP0460556SD | | WASHER 4.6X7.5X0.5 | | | | * | | 1 | |
| 76 | | 13123302 | | ADJUSTING SPRING | | | | * | | 1 | |
| 77 | | RE0300000K0 | | E-RING 3 | | | | * | | 1 | |
| 78 | | SM6060800SP | | SCREW M6 L=8 | | | | | | 2 | |

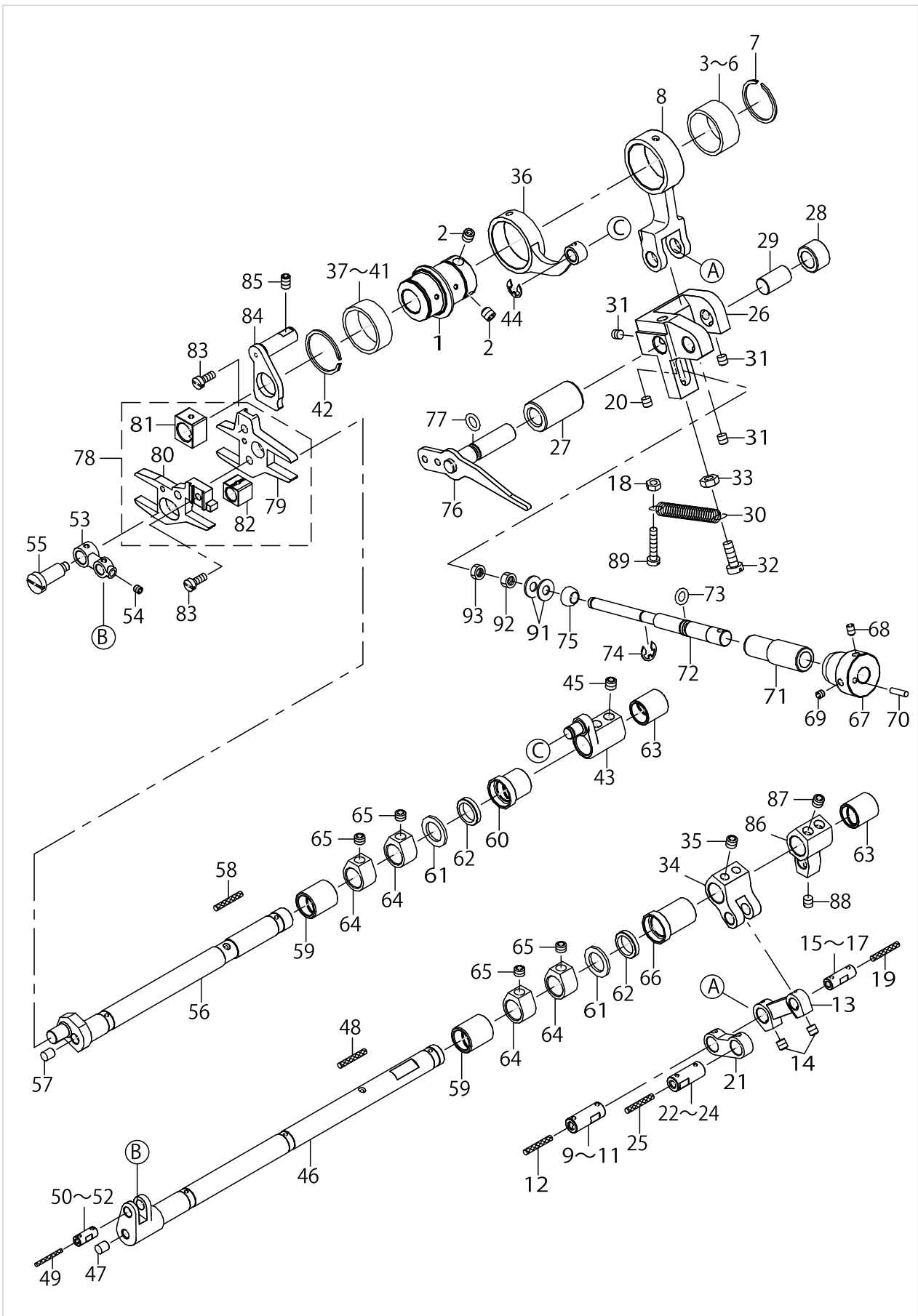
FEED DRIVE COMPONENTS (1)



FEED DRIVE COMPONENTS (1)

| No. | Supply Code | Parts No. | Replacement | Parts name | Remarks | Choice | Step | Level | Cons | Qty | Rep. QTY |
|-----|-------------|-------------|-------------|-----------------------|-----------------|--------|------|-------|------|-----|----------|
| 1 | | 13410006 | | FEED ECCENTRIC | | | | | | 1 | |
| 2 | | SM8060612TP | | SCREW M6 L=6 | | | | | | 2 | |
| 3 | | B1426180A00 | | NEEDLE BEARING (A) | SELECTIVE PARTS | | | | | 1 | |
| 4 | | B1426180B00 | | NEEDLE BEARING (B) | SELECTIVE PARTS | | | | | 1 | |
| 5 | | B1426180C00 | | NEEDLE BEARING (C) | SELECTIVE PARTS | | | | | 1 | |
| 6 | | B1426180D00 | | NEEDLE BEARING (D) | SELECTIVE PARTS | | | | | 1 | |
| 7 | | RC2251213KP | | C-RING | | | | | | 1 | |
| 8 | | 13410105 | | CRANK_ROD | | | | | | 1 | |
| 9 | | 13323308 | | FEED_ADJ_LINK_PIN_A | SELECTIVE PARTS | | | | | 1 | |
| 10 | | 13323407 | | FEED_ADJ_LINK_PIN_B | SELECTIVE PARTS | | | | | 1 | |
| 11 | | 13323506 | | FEED_ADJ_LINK_PIN_C | SELECTIVE PARTS | | | | | 1 | |
| 12 | | CQ303000000 | | OIL WICK | | | | | | .07 | |
| 13 | | 13410204 | | MAIN ADJ LINK | | | | | | 1 | |
| 14 | | SM8050512TP | | SCREW | | | | | | 2 | |
| 15 | | 13318704 | | MAIN FEED CRANK PIN A | SELECTIVE PARTS | | | | | 1 | |
| 16 | | 13318803 | | MAIN FEED CRANK PIN B | SELECTIVE PARTS | | | | | 1 | |
| 17 | | 13318902 | | MAIN FEED CRANK PIN C | SELECTIVE PARTS | | | | | 1 | |
| 18 | | NM6040001SP | | NUT M4X0.7 | | | | | | 1 | |
| 19 | | CQ303000000 | | OIL WICK | | | | | | .04 | |
| 20 | | SM8050512TP | | SCREW | | | | | | 1 | |
| 21 | | 13317300 | | ADJUST LINK | | | | | | 1 | |
| 22 | | 13410600 | | FEED ADJ LINK PIN A | SELECTIVE PARTS | | | | | 1 | |
| 23 | | 13410709 | | FEED ADJ LINK PIN B | SELECTIVE PARTS | | | | | 1 | |
| 24 | | 13410808 | | FEED ADJ LINK PIN C | SELECTIVE PARTS | | | | | 1 | |
| 25 | | CQ303000000 | | OIL WICK | | | | | | .07 | |
| 26 | | 13415708 | | FEED_ADJ_BLOCK | | | | | | 1 | |
| 27 | | 13411004 | | BUSHING MAIN FEED ADJ | | | | | | 1 | |
| 28 | | 13415807 | | BUSHING_MAIN_FEED_ADJ | | | | | | 1 | |
| 29 | | 13415906 | | SHAFT_FEED_ADJ_BLOCK | | | | | | 1 | |
| 30 | | B2546232000 | | PRESSURE SPRING | | | | | | 1 | |
| 31 | | SM8050512TP | | SCREW | | | | | | 4 | |
| 32 | | SM6051400SP | | SCREW | | | | | | 1 | |
| 33 | | NM6050001SP | | NUT M5 | | | | | | 1 | |
| 34 | | 13411509 | | MAIN_FEED_CRANK | | | | | | 1 | |
| 35 | | SM8060552TP | | SCREW M6 L=5 | | | | | | 2 | |
| 36 | | 13414305 | | FEED LIFT ROD | | | | | | 1 | |
| 37 | | 12116604 | | NEEDLE BEARING | SELECTIVE PARTS | | | | | 1 | |
| 38 | | 12116703 | | NEEDLE BEARING B | SELECTIVE PARTS | | | | | 1 | |
| 39 | | 12116802 | | NEEDLE BEARING..C. | SELECTIVE PARTS | | | | | 1 | |
| 40 | | 12116901 | | NEEDLE BEARING..D. | SELECTIVE PARTS | | | | | 1 | |
| 41 | | 12117008 | | NEEDLE BEARING..E. | SELECTIVE PARTS | | | | | 1 | |
| 42 | | B1248280000 | | STOP RING | | | | | | 1 | |
| 43 | | 13414404 | | FEED LIFT LEVER | | | | | | 1 | |
| 44 | | RE0500000K0 | | E-RING | | | | | | 1 | |
| 45 | | SM8060552TP | | SCREW M6 L=5 | | | | | | 2 | |
| 46 | | 13411608 | | MAIN FEED SHAFT | | | | | | 1 | |

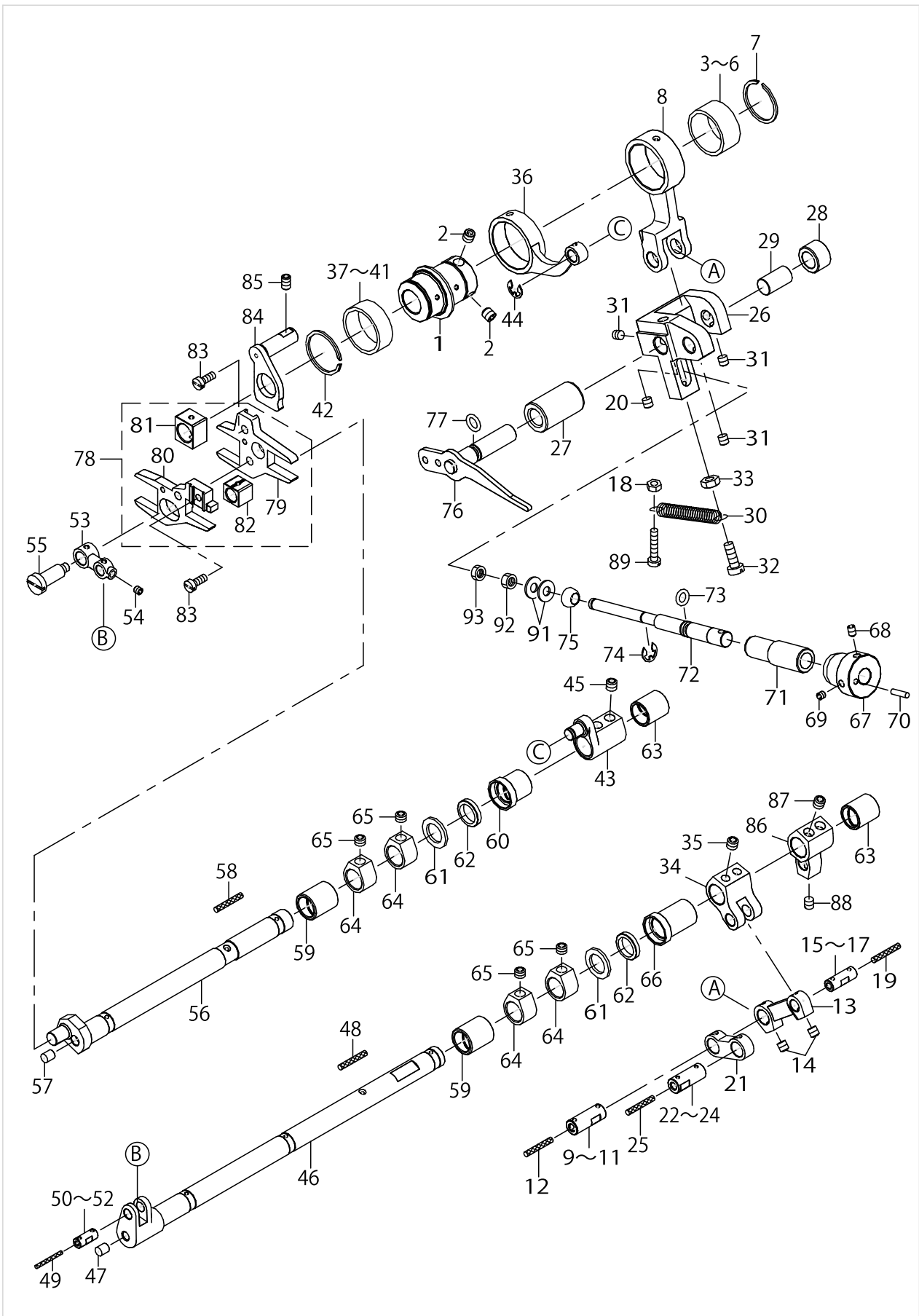
FEED DRIVE COMPONENTS (1)



FEED DRIVE COMPONENTS (1)

| No. | Supply Code | Parts No. | Replacement | Parts name | Remarks | Choice | Step | Level | Cons | Qty | Rep. QTY |
|-----|-------------|-------------|-------------|----------------------|-----------------|--------|------|-------|------|-----|----------|
| 47 | | TA0500601M0 | | PLUG D=5X5.4 L=6 | | | | | | 1 | |
| 48 | | CQ300000001 | | OIL WICK | | | | | | 1 | |
| 49 | | CQ202000000 | | OIL WICK | | | | | | .6 | |
| 50 | | 13412002 | | MAIN FEED LINK PIN A | SELECTIVE PARTS | | | | | 1 | |
| 51 | | 13412101 | | MAIN FEED LINK PIN B | SELECTIVE PARTS | | | | | 1 | |
| 52 | | 13412200 | | MAIN FEED LINK PIN C | SELECTIVE PARTS | | | | | 1 | |
| 53 | | 13411905 | | MAIN FEED LINK | | | | | | 1 | |
| 54 | | SM8040412TP | | SET SCREW M4 L=4 | | | | | | 1 | |
| 55 | | SD0801636TH | | SHOULDER SCREW | | | | | | 1 | |
| 56 | | 13414503 | | FEED LIFT SHAFT | | | | | | 1 | |
| 57 | | TA0500601M0 | | PLUG D=5X5.4 L=6 | | | | | | 1 | |
| 58 | | CQ300000001 | | OIL WICK | | | | | | .67 | |
| 59 | | 13411707 | | BUSHING FEED MECH | | | | | | 2 | |
| 60 | | 13409206 | | BUSHING_FEED_MECH | | | | | | 1 | |
| 61 | | 13409107 | | WASHER | | | | | | 2 | |
| 62 | | E3025721000 | | OIL SEAL | | | | | | 2 | |
| 63 | | 13415500 | | BUSHING_FEED_MECH | | | | | | 2 | |
| 64 | | 13411806 | | COLLAR | | | | | | 4 | |
| 65 | | SM8060412TP | | SCREW | | | | | | 4 | |
| 66 | | 13408802 | | BUSHING_FEED_MECH | | | | | | 1 | |
| 67 | | 13318001 | | KNOB FEED ADJUST | | | | | | 1 | |
| 68 | | SM8040602TP | | SCREW M4X0.7 L=6 | | | | | | 1 | |
| 69 | | SM8040412TP | | SET SCREW M4 L=4 | | | | | | 1 | |
| 70 | | B3215470000 | | PIN | | | | | | 1 | |
| 71 | | 13411400 | | BUSHING FEED ADJ | | | | | | 1 | |
| 72 | | 13411301 | | SHAFT FEED ADJ | | | | | | 1 | |
| 73 | | RO055200100 | | RUBBER RING | | | | | | 1 | |
| 74 | | RE0500000K0 | | E-RING | | | | | | 1 | |
| 75 | | 13318308 | | STOPPER FEED ADJUST | | | | | | 1 | |
| 76 | | 13411152 | | INDICATOR ASSY | | | | | | 1 | |
| 77 | | RO068190100 | | RUBBER RING | | | | | | 1 | |
| 78 | | 13413950 | | FEED_BAR_ASSY | | | | | | 1 | |
| 79 | | 13413901 | | MAIN FEED BAR | | | | | * | 1 | |
| 80 | R | 13414008 | 13413950 | DIFF FEED BAR | | | | | * | 1 | 1.00 |
| 81 | | 13413703 | | SLIDE BLOCK 1 | | | | | * | 1 | |
| 82 | | 13413802 | | SLIDE BLOCK 2 | | | | | * | 1 | |
| 83 | | SM6041000SP | | SCREW M4 L=10 | | | | | | 2 | |
| 84 | | 13414107 | | FEED BAR GUIDE 1 | | | | | | 1 | |
| 85 | | SM8050812TP | | SCREW M5X8 | | | | | | 1 | |
| 86 | | 13413307 | | DIFF_FEED_CRANK | | | | | | 1 | |
| 87 | | SM8060552TP | | SCREW M6 L=5 | | | | | | 2 | |
| 88 | | SM8050512TP | | SCREW | | | | | | 1 | |
| 89 | | SM6042000SP | | SCREW | | | | | | 1 | |
| 90 | | NM6040001SP | | NUT M4X0.7 | | | | | | 1 | |
| 91 | | 13120605 | | WASHER | | | | | | 2 | |
| 92 | | NM6050001SC | | NUT M5 | | | | | | 1 | |

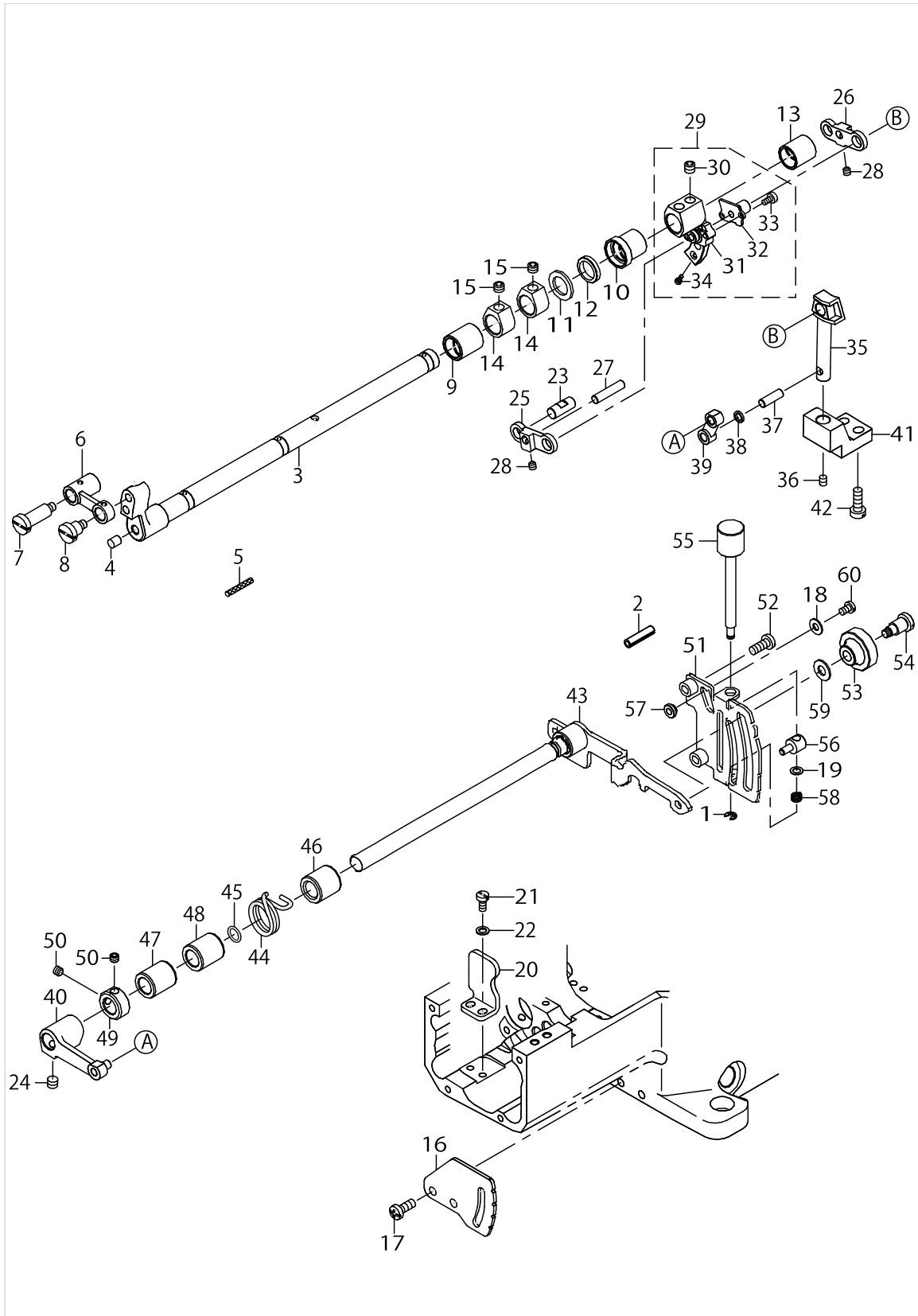
FEED DRIVE COMPONENTS (1)



FEED DRIVE COMPONENTS (1)

| No. | Supply Code | Parts No. | Replacement | Parts name | Remarks | Choice | Step | Level | Cons | Qty | Rep. QTY |
|-----|-------------|-------------|-------------|------------|---------|--------|------|-------|------|-----|----------|
| 93 | | NM6050003SC | | NUT M5X0.8 | | | | | | 1 | |

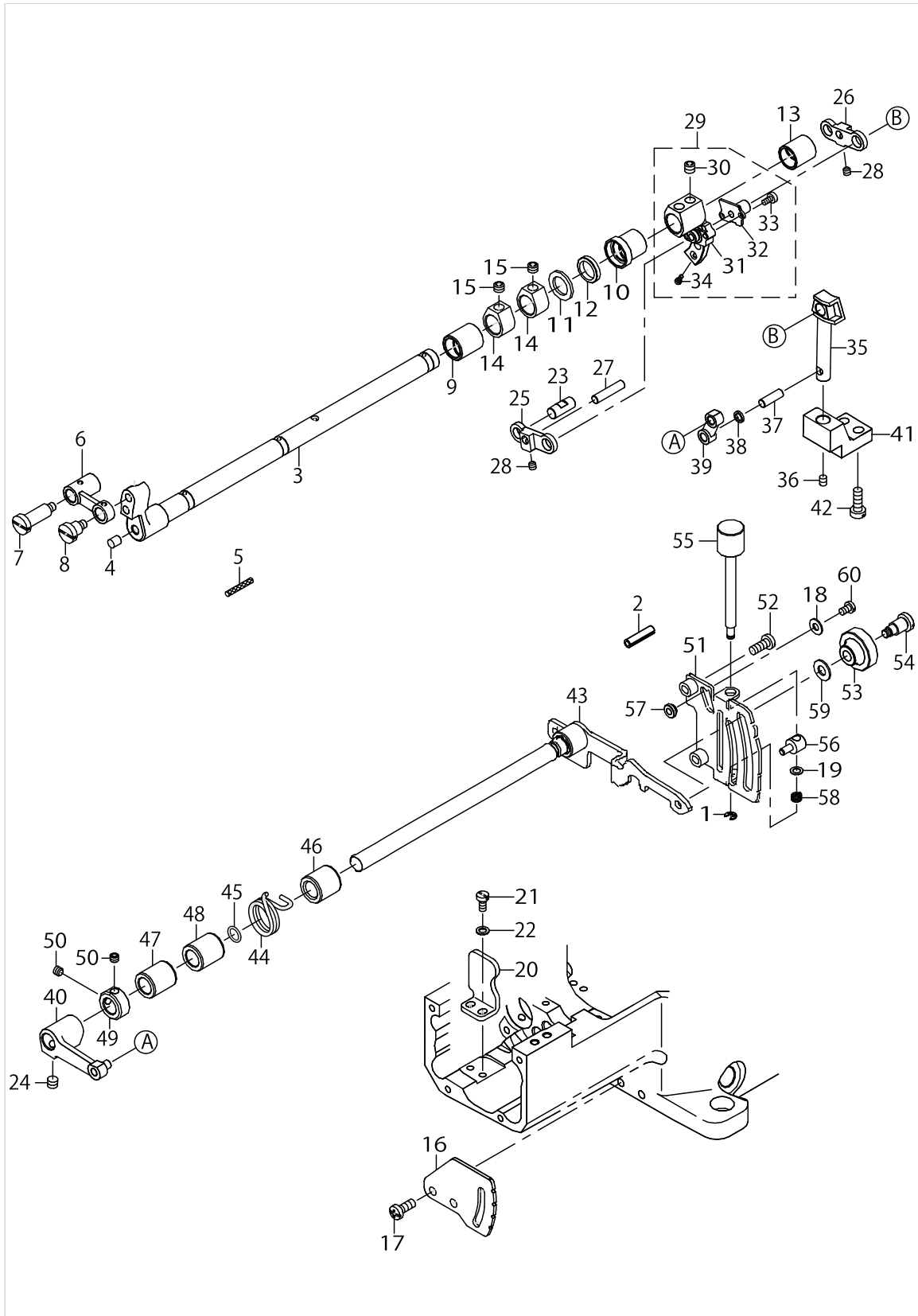
FEED DRIVE COMPONENTS (2)



FEED DRIVE COMPONENTS (2)

| No. | Supply Code | Parts No. | Replacement | Parts name | Remarks | Choice | Step | Level | Cons | Qty | Rep. QTY |
|-----|-------------|-------------|-------------|---------------------|---------|--------|------|-------|------|-----|----------|
| 1 | | RE0300000K0 | | E-RING 3 | | | | | | 1 | |
| 2 | | PS0500202KP | | SPRING PIN 5X20 | | | | | | 1 | |
| 3 | | 13413406 | | DIFF FEED SHAFT | | | | | | 1 | |
| 4 | | TA0500601M0 | | PLUG D=5X5.4 L=6 | | | | | | 1 | |
| 5 | | CQ300000001 | | OIL WICK | | | | | | 1 | |
| 6 | | 13413604 | | DIFF FEED LINK | | | | | | 1 | |
| 7 | | SD0801866TH | | SHOULDER SCREW | | | | | | 1 | |
| 8 | | SD0800626TH | | SHOULDER SCREW | | | | | | 1 | |
| 9 | | 13411707 | | BUSHING FEED MECH | | | | | | 1 | |
| 10 | | 13409206 | | BUSHING_FEED_MECH | | | | | | 1 | |
| 11 | | 13409107 | | WASHER | | | | | | 1 | |
| 12 | | E3025721000 | | OIL SEAL | | | | | | 1 | |
| 13 | | 13415500 | | BUSHING_FEED_MECH | | | | | | 1 | |
| 14 | | 13411806 | | COLLAR | | | | | | 2 | |
| 15 | | SM8060412TP | | SCREW | | | | | | 2 | |
| 16 | | 13411202 | | PLATE MAIN FEED ADJ | | | | | | 1 | |
| 17 | | SM4051255SP | | SCREW.,M5 L=12. | | | | | | 2 | |
| 18 | | WP0450826SC | | WASHER 4.5X10X0.8 | | | | | | 1 | |
| 19 | | WP0460556SD | | WASHER 4.6X7.5X0.5 | | | | | | 1 | |
| 20 | | 13414206 | | FEED BAR GUIDE 2 | | | | | | 1 | |
| 21 | | SM6040800SP | | SCREW | | | | | | 2 | |
| 22 | | WP0450846SP | | WASHER | | | | | | 2 | |
| 23 | | 13409909 | | DIFF_FEED_CRANK_PIN | | | | | | 1 | |
| 24 | | SM8060552TP | | SCREW M6 L=5 | | | | | | 2 | |
| 25 | | 13409602 | | DIFF_DRIVE_LINK_L | | | | | | 1 | |
| 26 | | 13409701 | | DIFF_DRIVE_LINK_R | | | | | | 1 | |
| 27 | | 13409800 | | DIFF_LINK_PIN | | | | | | 1 | |
| 28 | | SM8040412TP | | SET SCREW M4 L=4 | | | | | | 2 | |
| 29 | | 13416052 | | DIFF_FEED_ARM_ASSY | | | | | | 1 | |
| 30 | | SM8060552TP | | SCREW M6 L=5 | | | | * | | 2 | |
| 31 | R | 13416102 | 13416052 | DIFF_FEED_PIN_1 | | | | * | | 1 | 1.00 |
| 32 | R | 13416201 | 13416052 | DIFF_FEED_PIN_2 | | | | * | | 1 | 1.00 |
| 33 | | SM6030650TP | | SCREW | | | | * | | 2 | |
| 34 | | SM4850455SP | | SCREW | | | | * | | 1 | |
| 35 | | 13416458 | | SLIDER_GUIDE_ASSY | | | | | | 1 | |
| 36 | | SM8040512TP | | SCREW | | | | | | 1 | |
| 37 | | 13416508 | | PIN_DIFF_ADJ | | | | | | 1 | |
| 38 | | 13412705 | | SPACER | | | | | | 1 | |
| 39 | | 13413208 | | DIFF ADJ LINK | | | | | | 1 | |
| 40 | | 13416854 | | DIFF_ADJ_LEVER_ASSY | | | | | | 1 | |
| 41 | | 13416706 | | SLIDER_GUIDE_BLOCK | | | | | | 1 | |
| 42 | | SM6051400SP | | SCREW | | | | | | 2 | |
| 43 | | 40040154 | | DIFF_ADJ_LEVER_ASSY | | | | | | 1 | |
| 44 | | 40040208 | | TORSION_SPRING | | | | | | 1 | |
| 45 | | RO068190100 | | RUBBER RING | | | | | | 1 | |
| 46 | | 13415104 | | BUSHING FEED ADJ | | | | | | 1 | |

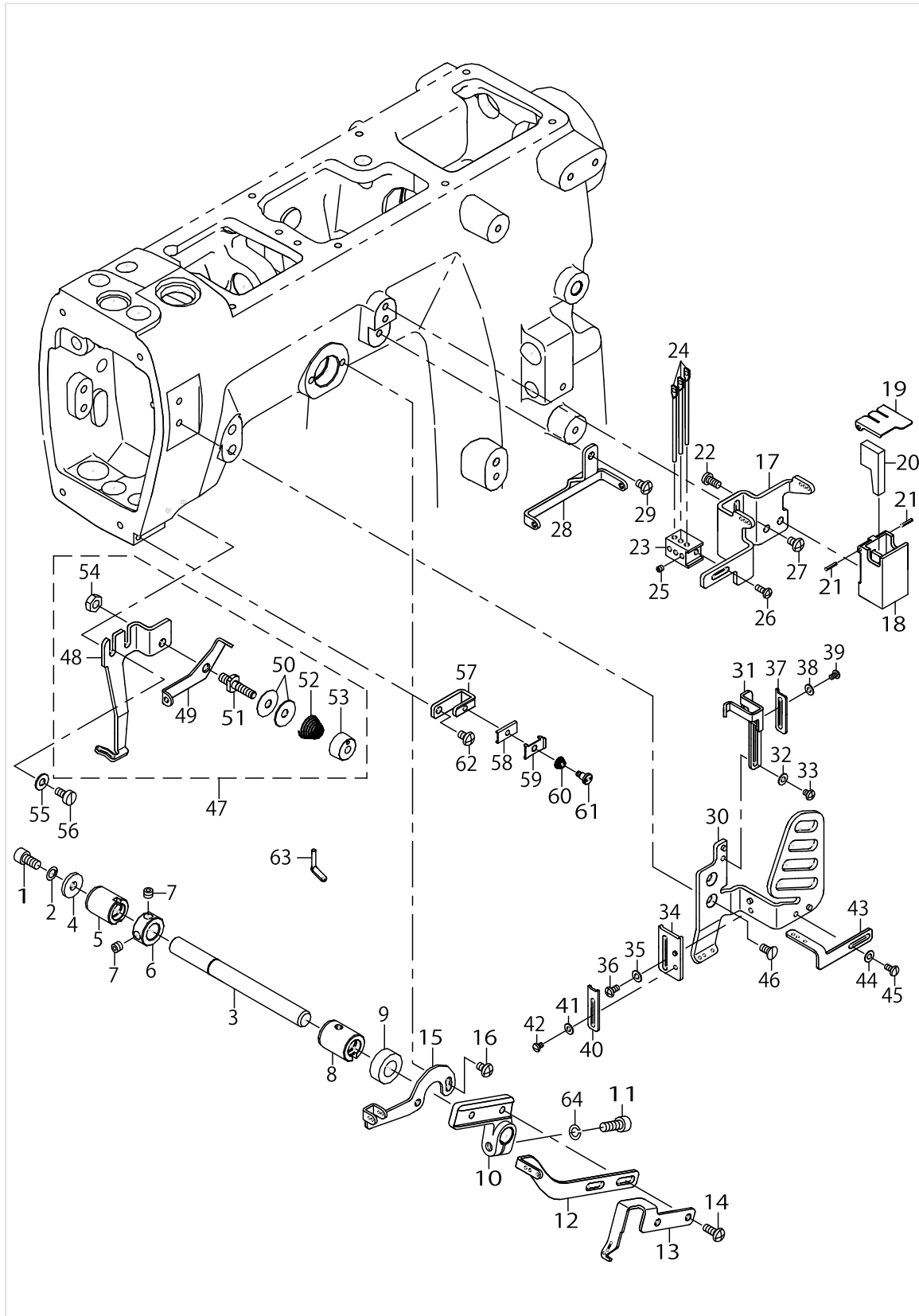
FEED DRIVE COMPONENTS (2)



FEED DRIVE COMPONENTS (2)

| No. | Supply Code | Parts No. | Replacement | Parts name | Remarks | Choice | Step | Level | Cons | Qty | Rep. QTY |
|-----|-------------|-------------|-------------|-------------------------------|---------|--------|------|-------|------|-----|----------|
| 47 | | 13414701 | | BUSHING FEED ADJ | | | | | | 1 | |
| 48 | | 13409305 | | BUSHING_FEED_ADJ | | | | | | 1 | |
| 49 | | CS1000881TP | | THRUST COLLAR | | | | | | 1 | |
| 50 | | SM8050412TP | | SCREW M5 L=4 | | | | | | 2 | |
| 51 | | 40040155 | | PLATE_DIFF_ADJ_LEVER | | | | | | 1 | |
| 52 | | SM4051255SP | | SCREW.,M5 L=12. | | | | | | 2 | |
| 53 | | 13217500 | | DIFFERENTIAL FEED LOCK NUT | | | | | | 1 | |
| 54 | | 13217401 | | DIFFERENTIAL FEED HINGE SCREW | | | | | | 1 | |
| 55 | | 13417100 | | SCREW | | | | | | 1 | |
| 56 | | 13217708 | | DIFFERENTIAL FEED BLOCK | | | | | | 1 | |
| 57 | | 13321203 | | STOPPER DIFF ADJ | | | | | | 1 | |
| 58 | | 13123302 | | ADJUSTING SPRING | | | | | | 1 | |
| 59 | | WP0621016SD | | WASHER 6.2X13X1 | | | | | | 1 | |
| 60 | | SM4040655SP | | SCREW M4 L=6 | | | | | | 1 | |

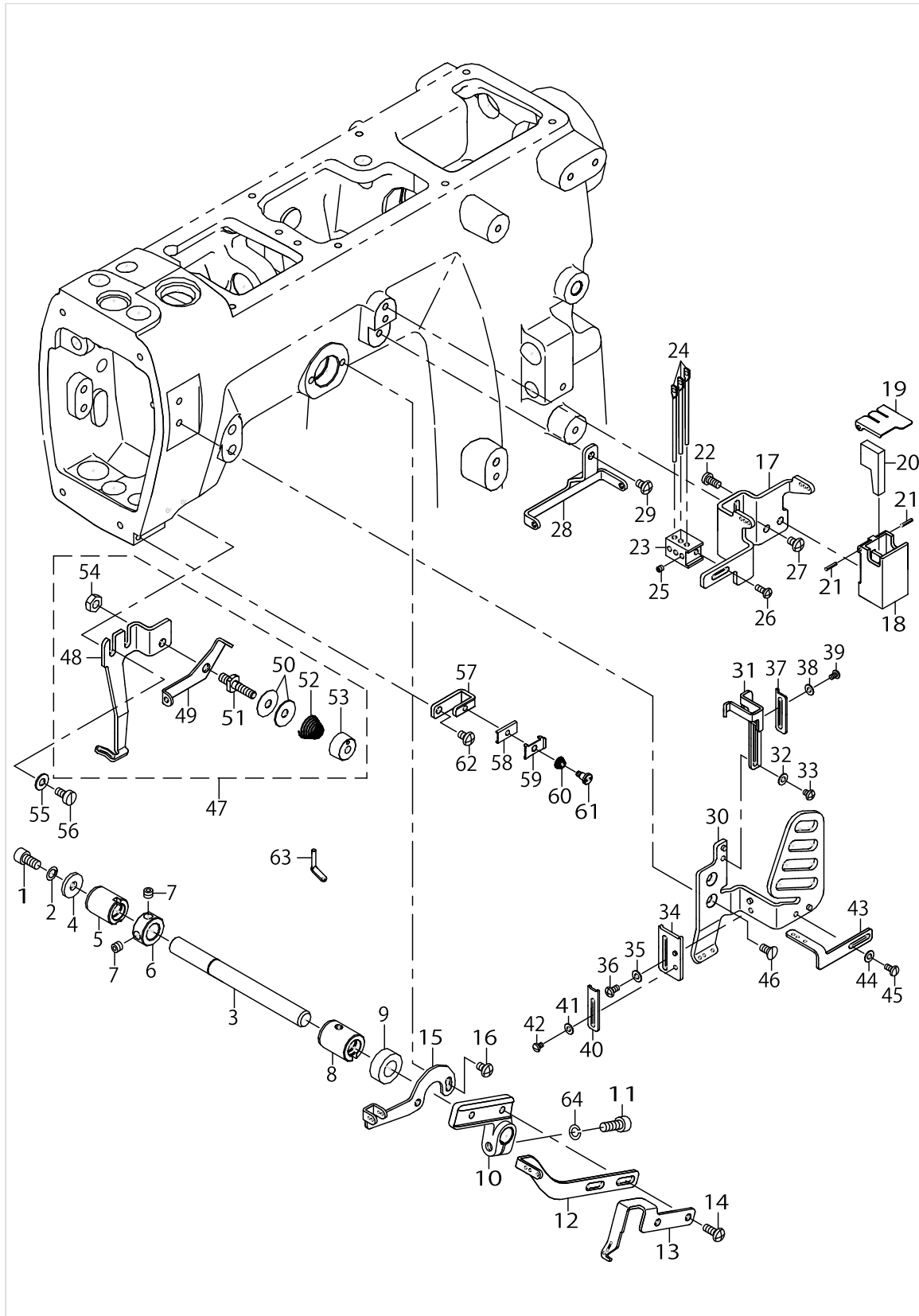
THREAD TAKE-UP LEVER COMPONENTS



THREAD TAKE-UP LEVER COMPONENTS

| No. | Supply Code | Parts No. | Replacement | Parts name | Remarks | Choice | Step | Level | Cons | Qty | Rep. QTY |
|-----|-------------|-------------|-------------|--------------------------------|---------|--------|------|-------|------|-----|----------|
| 1 | | SM6051002TP | | SCREW M5X0.8 L=10 | | | | | | 1 | |
| 2 | | WS0510002KP | | SPRING WASHER 5.1X9.2X1.3 | | | | | | 1 | |
| 3 | | 13324306 | | SHAFT | | | | | | 1 | |
| 4 | | WP0522016SH | | WASHER | | | | | | 1 | |
| 5 | | 13324504 | | BUSHING REAR | | | | | | 1 | |
| 6 | | CS1000881TP | | THRUST COLLAR | | | | | | 1 | |
| 7 | | SM8050412TP | | SCREW M5 L=4 | | | | | | 2 | |
| 8 | | 13324603 | | BUSHING FRONT | | | | | | 1 | |
| 9 | | 23612609 | | FEED CHANGING SHAFT OIL SEAL | | | | | | 1 | |
| 10 | | 13324702 | | HOLDER TAKE UP EYELET | | | | | | 1 | |
| 11 | | SM6051402TP | | SCREW M5X0.8 L=14 | | | | | | 1 | |
| 12 | | 13324801 | | NDL THREAD TAKE UP | | | | | | 1 | |
| 13 | | 13324900 | | UP LPR THREAD TAKE UP | | | | | | 1 | |
| 14 | | SM4041055SP | | SCREW | | | | | | 2 | |
| 15 | | 13325006 | | THREAD GUIDE | | | | | | 1 | |
| 16 | | SM4040655SP | | SCREW M4 L=6 | | | | | | 2 | |
| 17 | | 13325105 | | THREAD TENSION GUIDE | | | | | | 1 | |
| 18 | | 13348008 | | TANK | | | | | | 1 | |
| 19 | | B9213850000 | | SILICONE OIL TANK COVER, UPPER | | | | | | 1 | |
| 20 | | B9214850000 | | HEAT REMOVING FELT | | | | | | 1 | |
| 21 | | PS0150082KH | | SPRING PIN | | | | | | 2 | |
| 22 | | ST4040851SN | | TAPPING SCREW M4X8 | | | | | | 2 | |
| 23 | | 13325204 | | HOLDER | | | | | | 1 | |
| 24 | R | 30391601 | 40074316 | NEEDLE THREAD EYELET | | | | | | 3 | 1.00 |
| 25 | | SM8030312TP | | SCREW M3 L=3 | | | | | | 3 | |
| 26 | | SM4030855SN | | SCREW M3 L=8.0 | | | | | | 1 | |
| 27 | | SM4040655SP | | SCREW M4 L=6 | | | | | | 2 | |
| 28 | | 13325402 | | THREAD GUIDE | | | | | | 1 | |
| 29 | | SM4040655SP | | SCREW M4 L=6 | | | | | | 1 | |
| 30 | | 13325501 | | COVER | | | | | | 1 | |
| 31 | | 13325709 | | NDL THD STRIKE OFF | | | | | | 1 | |
| 32 | | WP0320501SC | | WASHER M3 | | | | | | 1 | |
| 33 | | SM4030455SP | | SCREW | | | | | | 1 | |
| 34 | | 13325600 | | THD STRIKE OFF PLATE | | | | | | 1 | |
| 35 | | WP0320501SC | | WASHER M3 | | | | | | 1 | |
| 36 | | SM4030655SP | | SCREW | | | | | | 1 | |
| 37 | | 13326905 | | NDL THD STRIKE OFF R | | | | | | 1 | |
| 38 | | WP0280501SC | | WASHER M2.6 | | | | | | 1 | |
| 39 | | SM4850455SP | | SCREW | | | | | | 1 | |
| 40 | | 13327002 | | THD STRIKE OFF PLATE R | | | | | | 1 | |
| 41 | | WP0280501SC | | WASHER M2.6 | | | | | | 1 | |
| 42 | | SM4850455SP | | SCREW | | | | | | 1 | |
| 43 | | 13327101 | | THREAD_GUIDE | | | | | | 1 | |
| 44 | | WP0320501SC | | WASHER M3 | | | | | | 1 | |
| 45 | | SM4030655SP | | SCREW | | | | | | 1 | |
| 46 | | SM1040800SP | | SCREW | | | | | | 2 | |

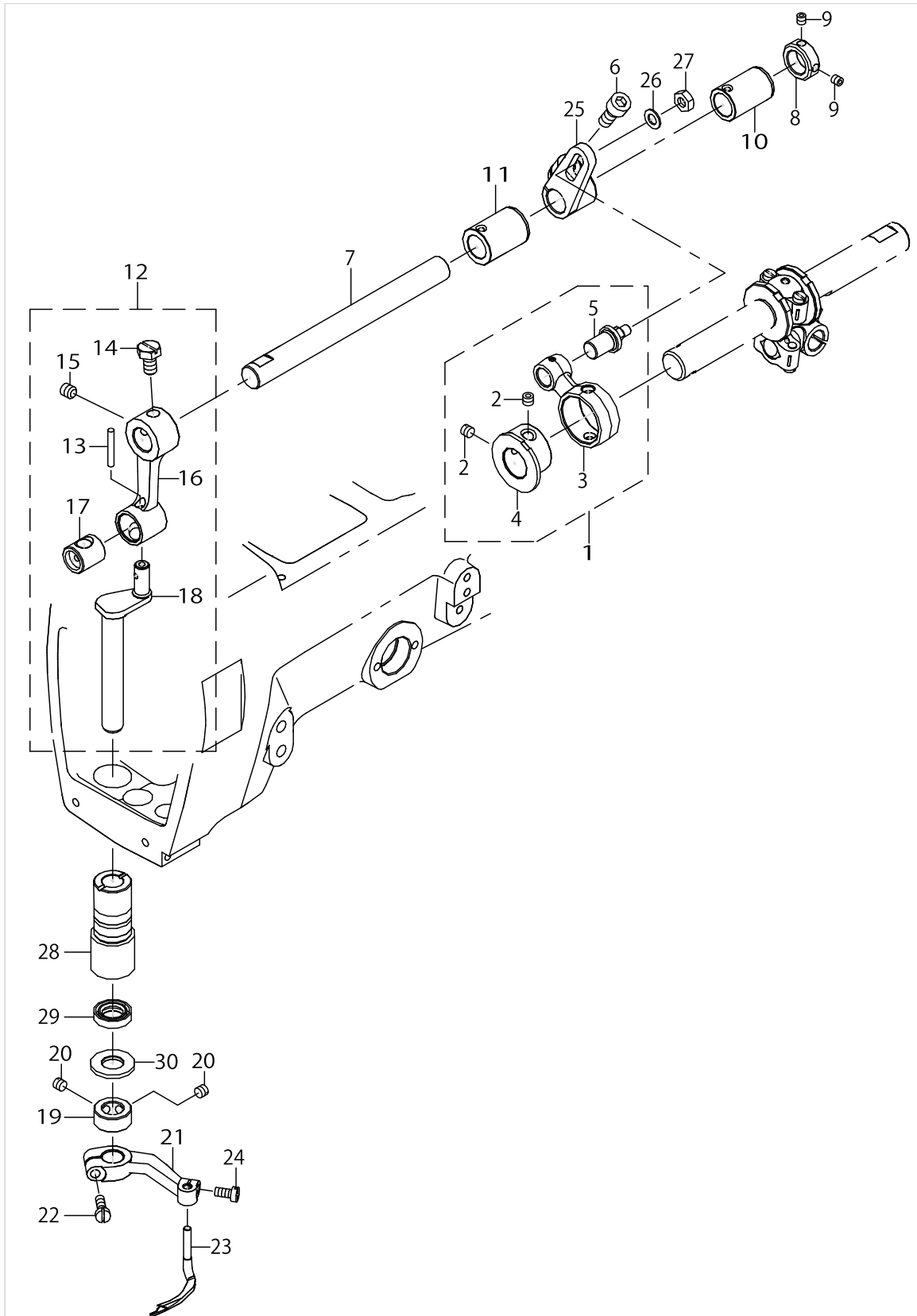
THREAD TAKE-UP LEVER COMPONENTS



THREAD TAKE-UP LEVER COMPONENTS

| No. | Supply Code | Parts No. | Replacement | Parts name | Remarks | Choice | Step | Level | Cons | Qty | Rep. QTY |
|-----|-------------|-------------|-------------|------------------------|---------|--------|------|-------|------|-----|----------|
| 47 | | 13326350 | | UP_LPR_TENSION_ASSY | | | | | | 1 | |
| 48 | | 13326301 | | THREAD GUIDE UPPER LPR | | | | * | | 1 | |
| 49 | | 13326400 | | THREAD GUIDE | | | | * | | 1 | |
| 50 | | 22945802 | | THREAD TENSION DISK | | | | * | | 2 | |
| 51 | | 13326509 | | TENSION POST | | | | * | | 1 | |
| 52 | | 22945505 | | THREAD TENSION SPRING | | | | * | | 1 | |
| 53 | | 13326608 | | TENSION NUT | | | | * | | 1 | |
| 54 | | NM6050001SP | | NUT M5 | | | | * | | 1 | |
| 55 | | WP0450826SC | | WASHER 4.5X10X0.8 | | | | | | 2 | |
| 56 | | SM6040800SP | | SCREW | | | | | | 2 | |
| 57 | | 13325808 | | NIPPER PLATE SUPPORT | | | | | | 1 | |
| 58 | | 13325907 | | NIPPER PLATE | | | | | | 1 | |
| 59 | | 13326004 | | NIPPER GUIDE PLATE | | | | | | 1 | |
| 60 | | 13326103 | | SPRING | | | | | | 1 | |
| 61 | | 13326202 | | SHOULDER SCREW | | | | | | 1 | |
| 62 | | SM4040655SP | | SCREW M4 L=6 | | | | | | 1 | |
| 63 | | 13326707 | | THREAD GUIDE | | | | | | 1 | |
| 64 | | WS0510002KN | | SPRING WASHER | | | | | | 1 | |

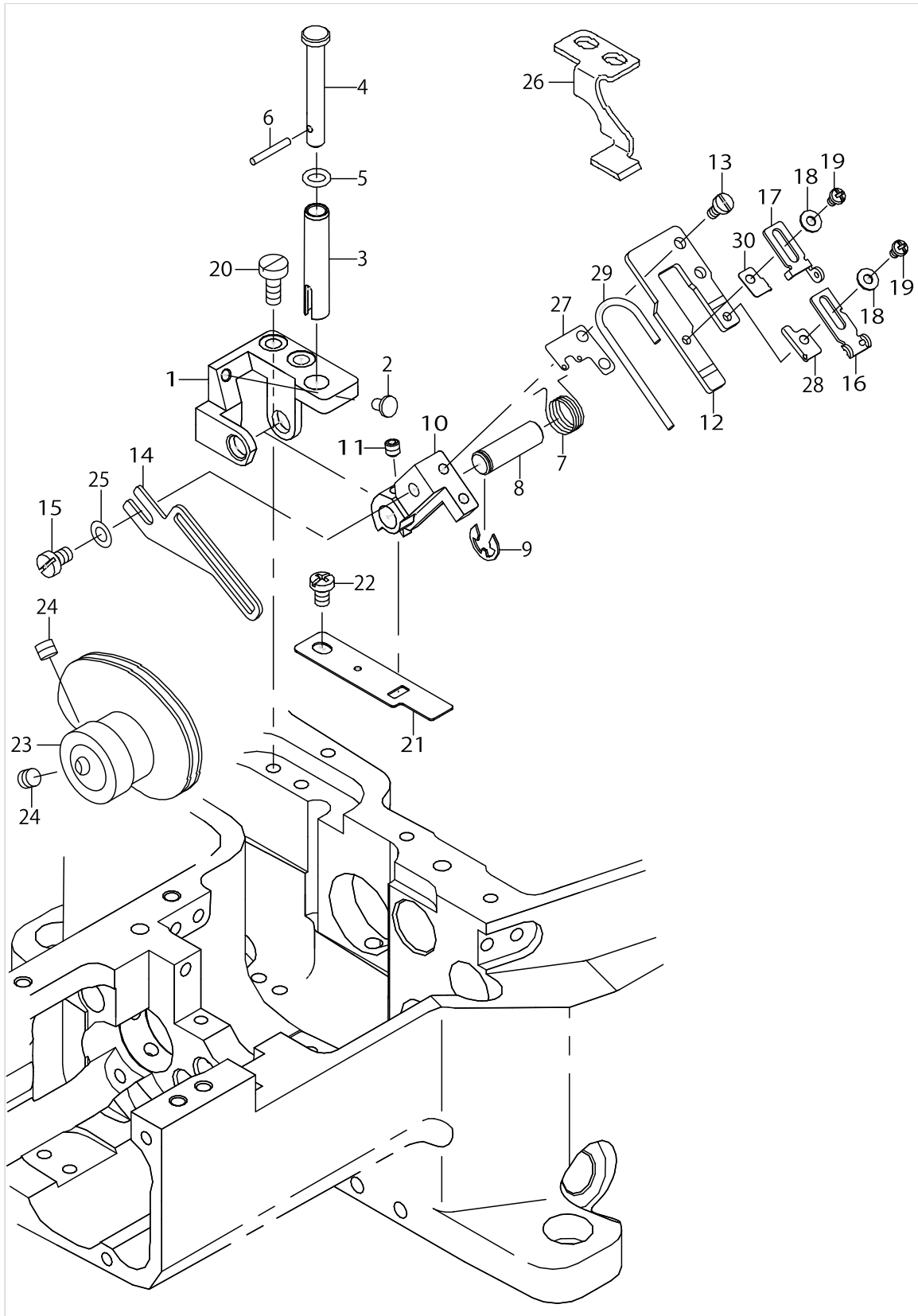
SPREADER COMPONENTS



SPREADER COMPONENTS

| No. | Supply Code | Parts No. | Replacement | Parts name | Remarks | Choice | Step | Level | Cons | Qty | Rep. QTY |
|-----|-------------|-------------|-------------|------------------------|---------|--------|------|-------|------|------|----------|
| 1 | | 13328158 | | ASSY_UPPPER_LPR_MECH | | | | | | 1 | |
| 2 | | SM8050412TP | | SCREW M5 L=4 | | | | * | | 2 | |
| 3 | | 13328109 | | CONNROD FOR UPPER LPR | | | | * | | 1 | |
| 4 | | 13328000 | | UPPER LOOPER ECCENTRIC | | | | * | | 1 | |
| 5 | | 13328208 | | STUD | | | | * | | 1 | |
| 6 | | SM6061402TP | | SCREW M6 L=14 | | | | | | 1 | |
| 7 | | 13328406 | | UPPER LOOPER SHAFT | | | | | | 1 | |
| 8 | | 13399209 | | COLLAR | | | | | | 1 | |
| 9 | | SM8040412TP | | SET SCREW M4 L=4 | | | | | | 2 | |
| 10 | | 13329008 | | BUSHING REAR | | | | | | 1 | |
| 11 | | 13329107 | | BUSHING FRONT | | | | | | 1 | |
| 12 | | 13328554 | | ASSY_UPPER_LPR_MECH_2 | | | | | | 1 | |
| 13 | | CQ303000000 | | OIL WICK | | | | * | | 0.05 | |
| 14 | | SM9061050TP | | SCREW M6 L=10 | | | | * | | 1 | |
| 15 | | SM8060612TP | | SCREW M6 L=6 | | | | * | | 1 | |
| 16 | | 13328505 | | CRANK ROD | | | | * | | 1 | |
| 17 | | 13328604 | | UPPER LOOPER ROCKER | | | | * | | 1 | |
| 18 | | 13328703 | | UP LPR SHAFT VERTICAL | | | | * | | 1 | |
| 19 | | CS1000881TP | | THRUST COLLAR | | | | | | 1 | |
| 20 | | SM8050412TP | | SCREW M5 L=4 | | | | | | 2 | |
| 21 | | 13328802 | | UPPER LOOPER HOLDER | | | | | | 1 | |
| 22 | | SM6041200SP | | SCREW M4 L=12 | | | | | | 1 | |
| 23 | | 13329404 | | UPPER_LOOPER | | | | | | 1 | |
| 24 | | SM6041000SP | | SCREW M4 L=10 | | | | | | 1 | |
| 25 | | 13328307 | | DRIVING ARM | | | | | | 1 | |
| 26 | | WP0550800SP | | WASHER 5.5X10X0.8 | | | | | | 1 | |
| 27 | | NM6050001SP | | NUT M5 | | | | | | 1 | |
| 28 | | 13329206 | | BUSHING VERTICAL | | | | | | 1 | |
| 29 | | 13338900 | | OIL SEAL | | | | | | 1 | |
| 30 | | WP1022016SH | | WASHER | | | | | | 1 | |

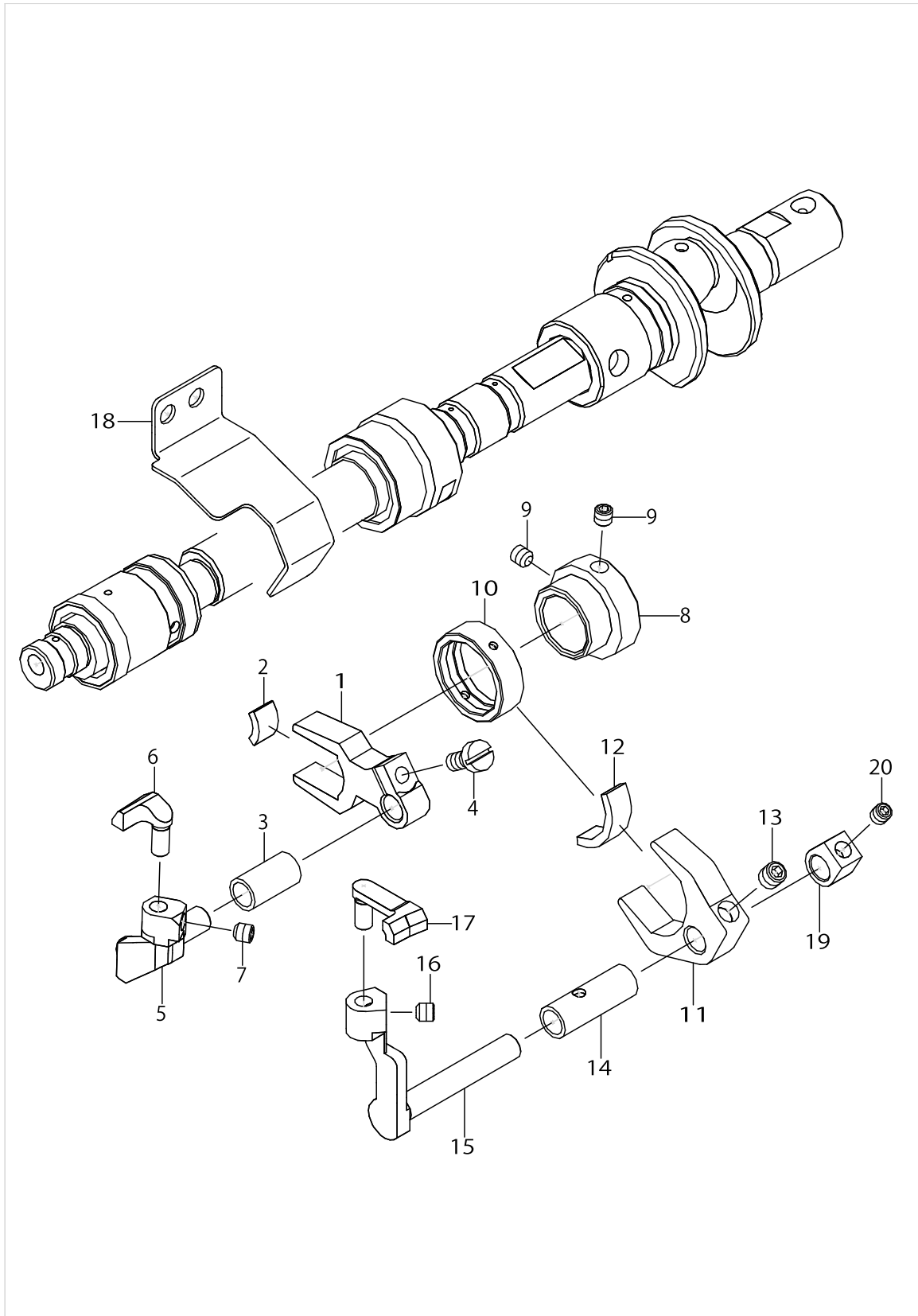
LOWER THREAD CAM COMPONENTS



LOWER THREAD CAM COMPONENTS

| No. | Supply Code | Parts No. | Replacement | Parts name | Remarks | Choice | Step | Level | Cons | Qty | Rep. QTY |
|-----|-------------|-------------|-------------|----------------------|---------|--------|------|-------|------|-----|----------|
| 1 | | 13417209 | | TAKE UP BASE | | | | | | 1 | |
| 2 | | 13418306 | | BUMPER | | | | | | 1 | |
| 3 | | 13417308 | | TAKE UP BASE GUIDE | | | | | | 1 | |
| 4 | | 13417407 | | RESET KNOB | | | | | | 1 | |
| 5 | | RO037180100 | | RUBBER RING | | | | | | 1 | |
| 6 | | PS0200142K0 | | SPRING PIN 2.0X14 | | | | | | 1 | |
| 7 | | 13417704 | | SPRING TAKE UP | | | | | | 1 | |
| 8 | | 13417902 | | TAKE UP PLATE SHAFT | | | | | | 1 | |
| 9 | | RE0500000K0 | | E-RING | | | | | | 1 | |
| 10 | | 13417506 | | BASE TAKEUP PLATE | | | | | | 1 | |
| 11 | | SM8040412TP | | SET SCREW M4 L=4 | | | | | | 1 | |
| 12 | | 40064971 | | TAKE_UP_PLATE | | | | | | 1 | |
| 13 | | SM6030600SP | | SCREW M3X0.5 L=6 | | | | | | 2 | |
| 14 | | 13417803 | | THREAD GUIDE | | | | | | 1 | |
| 15 | | SM6040602TP | | SCREW M4 L=6 | | | | | | 1 | |
| 16 | | 40064970 | | EYELET_A | | | | | | 1 | |
| 17 | | 13418207 | | EYELET B | | | | | | 1 | |
| 18 | | WP0280501SC | | WASHER M2.6 | | | | | | 2 | |
| 19 | | SM4850455SP | | SCREW | | | | | | 2 | |
| 20 | | SM6041000SP | | SCREW M4 L=10 | | | | | | 2 | |
| 21 | | 13418009 | | LOCATION SPRING | | | | | | 1 | |
| 22 | | SM4040655SP | | SCREW M4 L=6 | | | | | | 1 | |
| 23 | | 40088112 | | TAKE_UP_ASSY | | | | | | 1 | |
| 24 | | SM8050412TP | | SCREW M5 L=4 | | | | | | 2 | |
| 25 | | WP0430800SC | | WASHER M4 | | | | | | 1 | |
| 26 | | 40064969 | | THREAD_CUTTER | | | | | | 1 | |
| 27 | | 40087053 | | FIXED PLATE | | | | | | 1 | |
| 28 | | 40087054 | | MOUNTING PLATE RIGHT | | | | | | 1 | |
| 29 | | 40087068 | | CAM THREAD CATCH | | | | | | 1 | |
| 30 | | 40087055 | | MOUNTING PLATE LEFT | | | | | | 1 | |

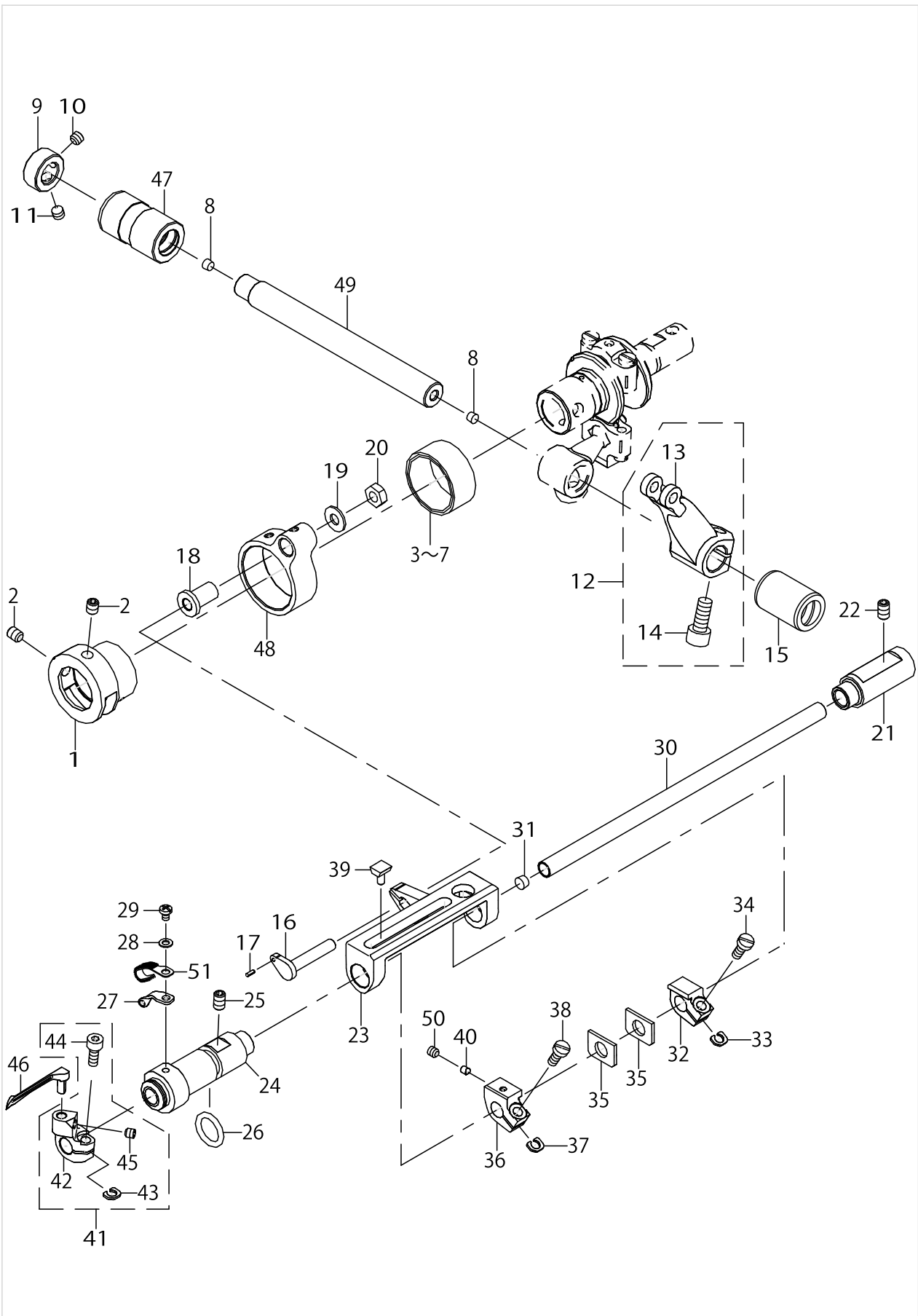
NEEDLE GUARD COMPONENTS



NEEDLE GUARD COMPONENTS

| No. | Supply Code | Parts No. | Replacement | Parts name | Remarks | Choice | Step | Level | Cons | Qty | Rep. QTY |
|-----|-------------|-------------|-------------|-------------------------|---------|--------|------|-------|------|-----|----------|
| 1 | | 13420401 | | FORK FRONT NDL GUARD | | | | | | 1 | |
| 2 | | 13421201 | | FELT_FRONT_NDL_GUARD | | | | | | 1 | |
| 3 | | 13420807 | | BUSH FRONT NDL GUARD | | | | | | 1 | |
| 4 | | SM6040800SP | | SCREW | | | | | | 1 | |
| 5 | | 13420500 | | HOLDER FRONT NDL GUARD | | | | | | 1 | |
| 6 | | 13420609 | | FRONT NDL GUARD | | | | | | 1 | |
| 7 | | SM8040412TP | | SET SCREW M4 L=4 | | | | | | 1 | |
| 8 | | 13420005 | | CAM REAR NDL GUARD | | | | | | 1 | |
| 9 | | SM8040412TP | | SET SCREW M4 L=4 | | | | | | 2 | |
| 10 | | 13421003 | | REAR NEEDLE GUARD BLOCK | | | | | | 1 | |
| 11 | | 13420104 | | FORK REAR N GUARD | | | | | | 1 | |
| 12 | | 13421300 | | FELT_REAR_NDL_GUARD | | | | | | 1 | |
| 13 | | SM8050512TP | | SCREW | | | | | | 1 | |
| 14 | D | 13420708 | | BUSH REAR NDL GUARD | | | | | | 1 | |
| 15 | | 13420203 | | REAR N GUARD HOLDER | | | | | | 1 | |
| 16 | | SM8040412TP | | SET SCREW M4 L=4 | | | | | | 1 | |
| 17 | | 13420302 | | REARNEEDLE GUARD | | | | | | 1 | |
| 18 | | 13420906 | | NDL GUARD COVER | | | | | | 1 | |
| 19 | | 13421409 | | COLLER_FOR_NDL_GUARD | | | | | | 1 | |
| 20 | | SM8040412TP | | SET SCREW M4 L=4 | | | | | | 1 | |

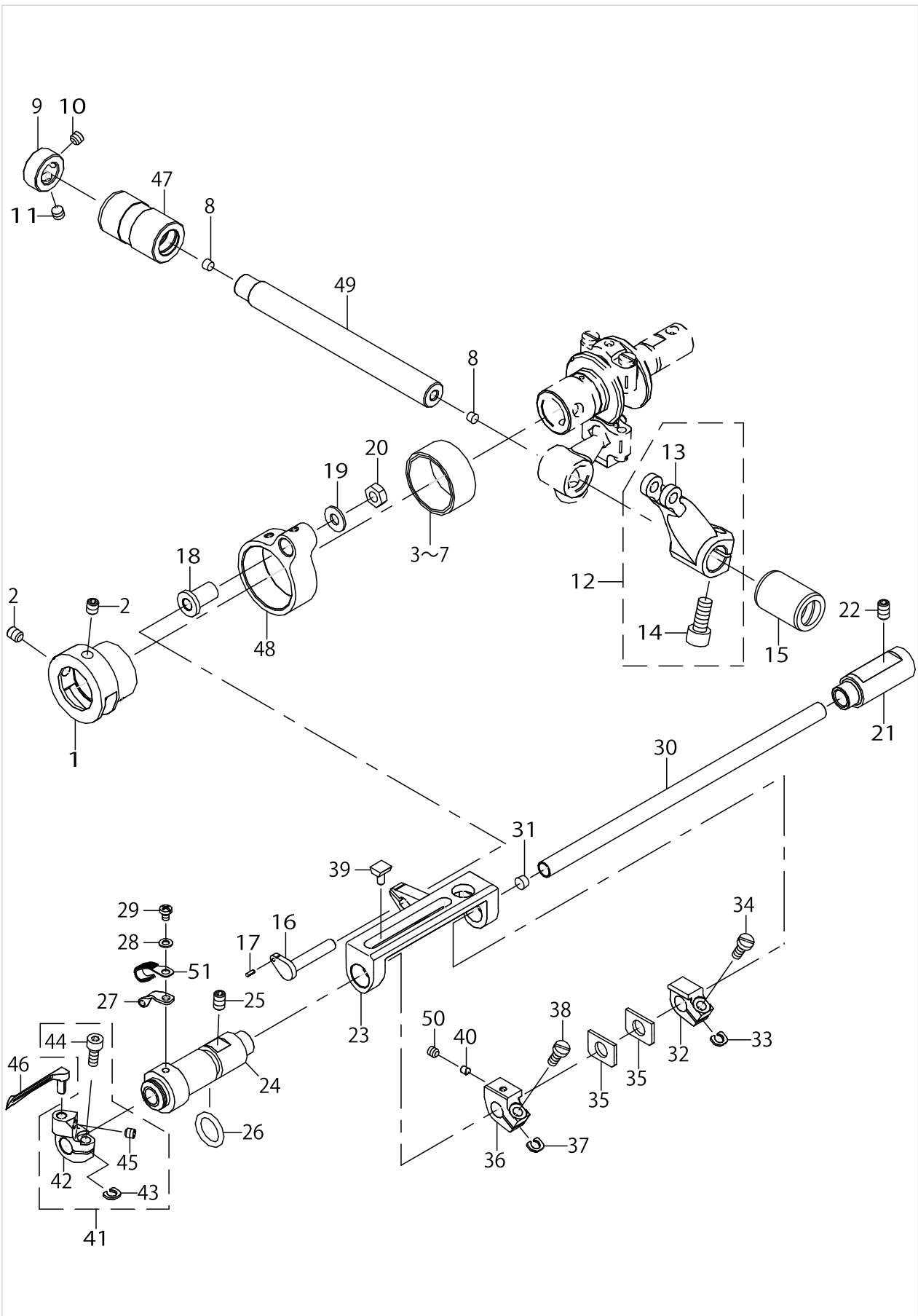
LOOPER COMPONENTS



LOOPER COMPONENTS

| No. | Supply Code | Parts No. | Replacement | Parts name | Remarks | Choice | Step | Level | Cons | Qty | Rep. QTY |
|-----|-------------|-------------|-------------|------------------------|-----------------|--------|------|-------|------|-----|----------|
| 1 | | 13422001 | | LOOPER ADOID ECCENTRIC | | | | | | 1 | |
| 2 | | SM8050612TP | | SCREW M5X6 | | | | | | 2 | |
| 3 | | SB32600020A | | BEARING | SELECTIVE PARTS | | | | | 1 | |
| 4 | | SB32600020B | | BEARING | SELECTIVE PARTS | | | | | 1 | |
| 5 | | SB32600020C | | BEARING | SELECTIVE PARTS | | | | | 1 | |
| 6 | | SB32600020D | | BEARING | SELECTIVE PARTS | | | | | 1 | |
| 7 | | SB32600020E | | BEARING | SELECTIVE PARTS | | | | | 1 | |
| 8 | | TA0400301M0 | | PLUG D=4X4.5 L=3 | | | | | | 2 | |
| 9 | | CS1000881TP | | THRUST COLLAR | | | | | | 1 | |
| 10 | | SM8050412TP | | SCREW M5 L=4 | | | | | | 1 | |
| 11 | | SM8050642TP | | SCREW | | | | | | 1 | |
| 12 | | 13424452 | | LEVER_ASSY | | | | | | 1 | |
| 13 | R | 13424403 | 13424452 | LEVER | | | | * | | 1 | 1.00 |
| 14 | | SM6061402TP | | SCREW M6 L=14 | | | | * | | 1 | |
| 15 | | 13424502 | | BUSHING FRONT | | | | | | 1 | |
| 16 | | 13422704 | | LOOPER AVOID PIN | | | | | | 1 | |
| 17 | | PS0150042K0 | | SPRING PIN 1.5X 4 | | | | | | 1 | |
| 18 | | 13422803 | | BUSHING | | | | | | 1 | |
| 19 | | 13120605 | | WASHER | | | | | | 1 | |
| 20 | | NM6050001SP | | NUT M5 | | | | | | 1 | |
| 21 | | 13423009 | | BUSHING RIGHT | | | | | | 1 | |
| 22 | | SM8050812TP | | SCREW M5X8 | | | | | | 1 | |
| 23 | | 13422902 | | GUIDE LOOPER BAR | | | | | | 1 | |
| 24 | | 13423108 | | BUSHING LEFT | | | | | | 1 | |
| 25 | | SM8050812TP | | SCREW M5X8 | | | | | | 1 | |
| 26 | | RO118240100 | | O-RING | | | | | | 1 | |
| 27 | | 13425202 | | LPR_THREAD_GUIDE | | | | | | 1 | |
| 28 | | WP0320500SC | | WASHER M3 | | | | | | 1 | |
| 29 | | SM4030455SP | | SCREW | | | | | | 1 | |
| 30 | | 13424601 | | LOOPER BAR | | | | | | 1 | |
| 31 | | TA0600401R0 | | PLUG | | | | | | 1 | |
| 32 | | 13423405 | | HOLDER | | | | | | 1 | |
| 33 | | 13423801 | | WASHER | | | | | | 1 | |
| 34 | | SM6041000SP | | SCREW M4 L=10 | | | | | | 1 | |
| 35 | | 13423603 | | WASHER | | | | | | 2 | |
| 36 | | 13423504 | | SLIDER HOLDER | | | | | | 1 | |
| 37 | | 13423801 | | WASHER | | | | | | 1 | |
| 38 | | SM6041000SP | | SCREW M4 L=10 | | | | | | 1 | |
| 39 | | 13423306 | | SLIDER | | | | | | 1 | |
| 40 | | 13423702 | | PIN | | | | | | 1 | |
| 41 | | 40022804 | | LOOPER HOLDER_ASSY | | | | | | 1 | |
| 42 | | 13424700 | | LOOPER HOLDER | | | | * | | 1 | |
| 43 | | 13423801 | | WASHER | | | | * | | 1 | |
| 44 | | SM6041002TP | | SCREW M4 L=10 | | | | * | | 1 | |
| 45 | | SM8040412TP | | SET SCREW M4 L=4 | | | | * | | 1 | |
| 46 | | 13424809 | | LOOPER | | | | | | 1 | |

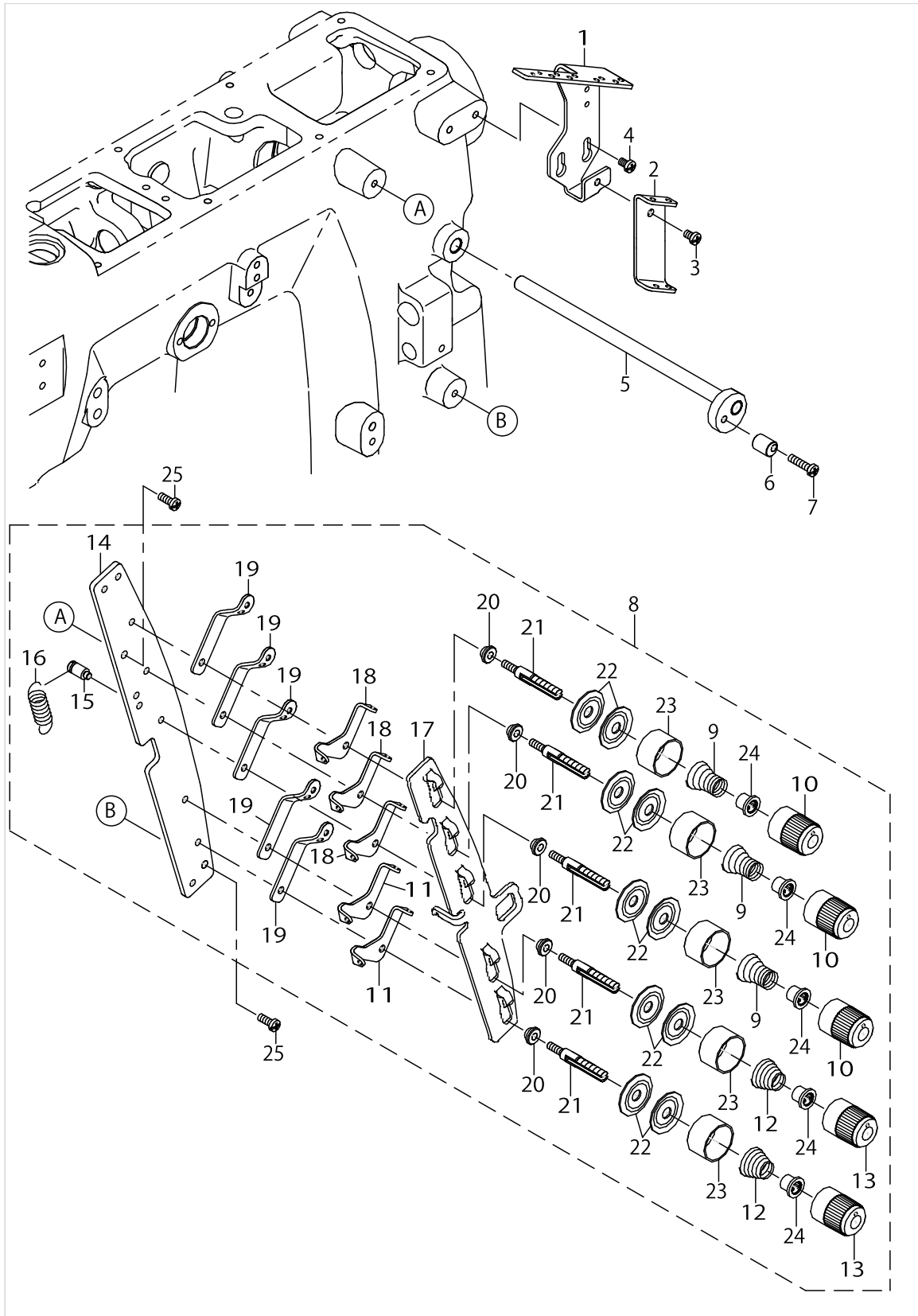
LOOPER COMPONENTS



LOOPER COMPONENTS

| No. | Supply Code | Parts No. | Replacement | Parts name | Remarks | Choice | Step | Level | Cons | Qty | Rep. QTY |
|-----|-------------|-------------|-------------|-------------------------|---------|--------|------|-------|------|-----|----------|
| 47 | | 13423900 | | BUSHING REAR | | | | | | 1 | |
| 48 | | 13422605 | | LOOPER AVOID LINK | | | | | | 1 | |
| 49 | | 13424304 | | LOOPER SHAFT | | | | | | 1 | |
| 50 | | SM8040412TP | | SET SCREW M4 L=4 | | | | | | 1 | |
| 51 | | 40087067 | | THREAD GUIDE COVER ASSY | | | | | | 1 | |

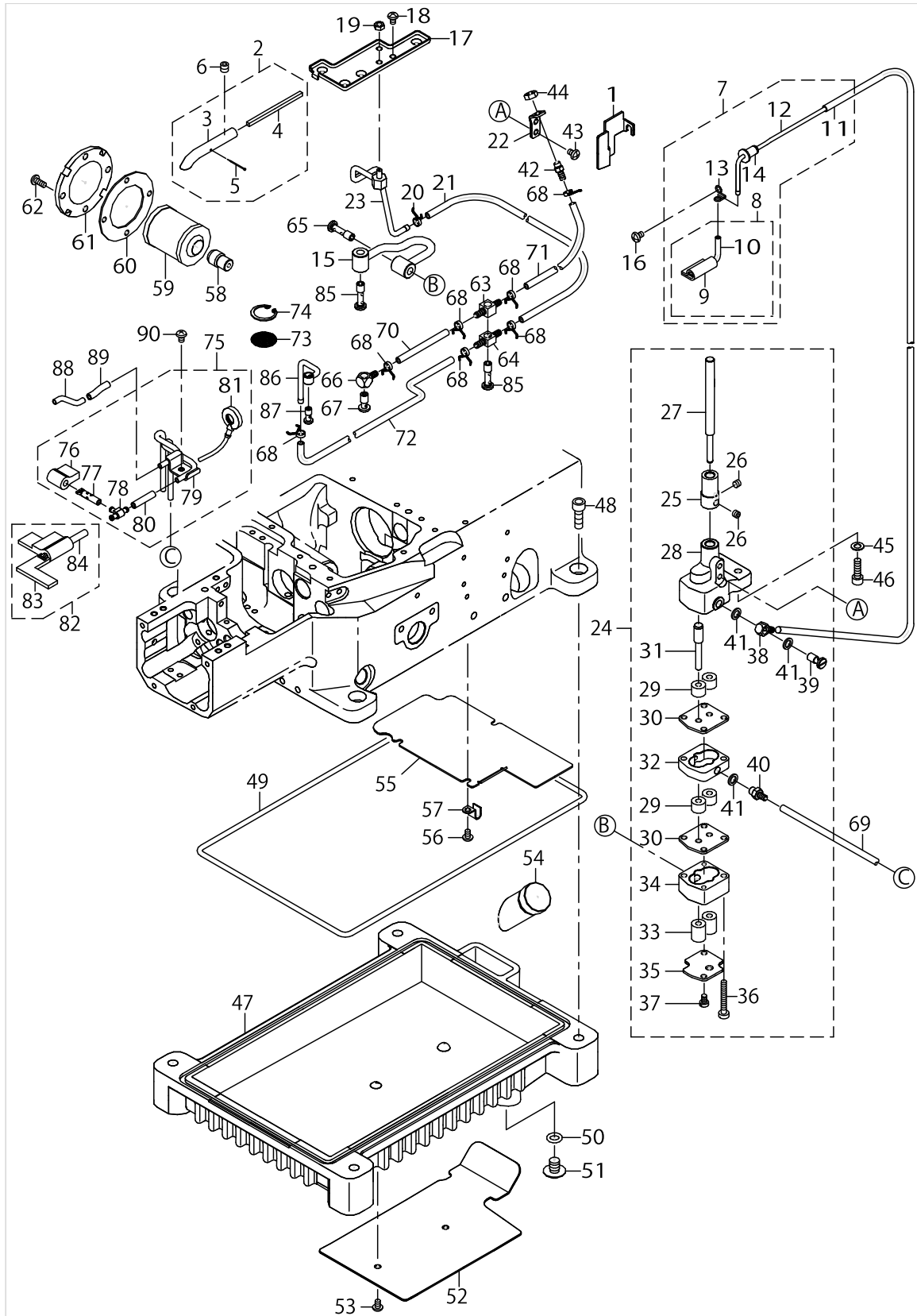
THREAD TENSION COMPONENTS



THREAD TENSION COMPONENTS

| No. | Supply Code | Parts No. | Replacement | Parts name | Remarks | Choice | Step | Level | Cons | Qty | Rep. QTY |
|-----|-------------|-------------|-------------|-----------------------------|---------|--------|-----------------|-------|------|-----|----------|
| 1 | | 13340005 | | THREAD GUIDE PLATE | | | | | | 1 | |
| 2 | | 13340104 | | THREAD GUIDE | | | | | | 1 | |
| 3 | | SM4040655SP | | SCREW M4 L=6 | | | | | | 1 | |
| 4 | | SM4040655SP | | SCREW M4 L=6 | | | | | | 2 | |
| 5 | | 13341359 | | ASSY PULL OFF LEVER | | | | | | 1 | |
| 6 | | 40065785 | | TENS_RELEASE_ADJ_ECC | | | | | | 1 | |
| 7 | | SM4041655SP | | SCREW M4 L=16 | | | | | | 1 | |
| 8 | | 40066136 | | THREAD_TENSION_ASSY | | | | | | 1 | |
| 9 | | 13140504 | | TENSION SPRING | | | | * | | 3 | |
| 10 | | 40042364 | | KNOB GREEN | | | | * | | 3 | |
| 11 | | 13340500 | | TENSION DISC EYELET | | | | * | | 2 | |
| 12 | R | B3121804000 | 40102003 | TENSION SPRING | | | | * | | 2 | 1.00 |
| 13 | | 40042363 | | KNOB | | | | * | | 2 | |
| 14 | | 13340203 | | TENSION POST SUPPORT | | | | * | | 1 | |
| 15 | | 13340302 | | SHOULDER SCREW | | | | * | | 1 | |
| 16 | | B2008372000 | | THREAD TENSION SPRING | | | | * | | 1 | |
| 17 | | 40065784 | | TENSION_DISC_SEPARATOR | | | | * | | 1 | |
| 18 | R | 13341607 | 40040066 | TENSION_DISC_EYELET_2 | | B | MF-7724-U10-D60 | * | | 3 | 1.00 |
| 18 | R | 13341607 | 40066136 | TENSION_DISC_EYELET_2 | | | | * | | 3 | 1.00 |
| 19 | | 13340609 | | THREAD LEAD IN GUIDE | | | | * | | 5 | |
| 20 | | 13340708 | | SPACER | | | | * | | 5 | |
| 21 | | 40042362 | | TENSION POST | | | | * | | 5 | |
| 22 | | 13138201 | | THREAD TENSION DISK | | | | * | | 10 | |
| 23 | | 40042366 | | THREAD TENSION DISK PRESSER | | | | * | | 5 | |
| 24 | | 40042365 | | SPRING BUSHING | | | | * | | 5 | |
| 25 | | SM4041055SP | | SCREW | | | | | | 2 | |

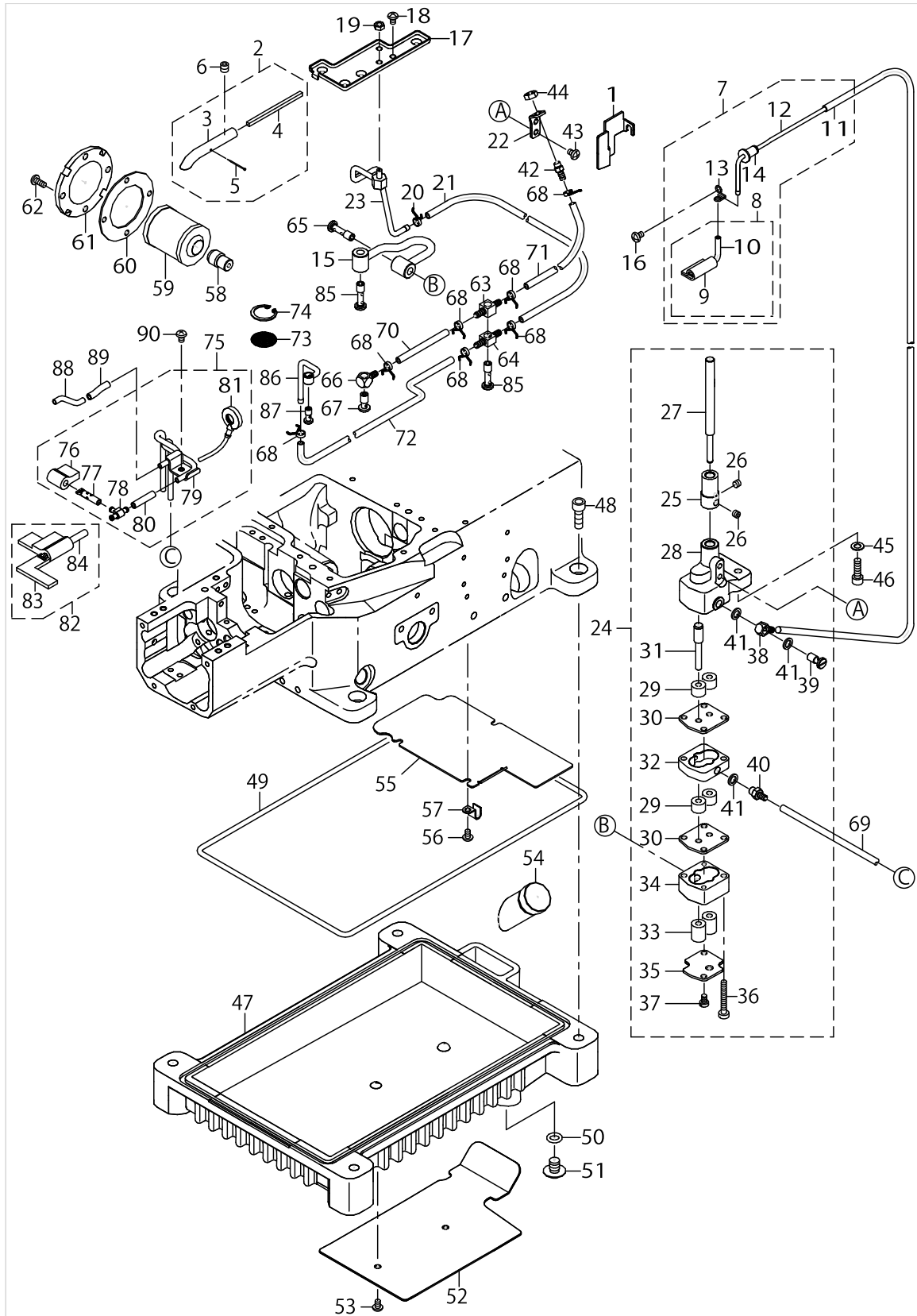
LUBRICATION COMPONENTS



LUBRICATION COMPONENTS

| No. | Supply Code | Parts No. | Replacement | Parts name | Remarks | Choice | Step | Level | Cons | Qty | Rep. QTY |
|-----|-------------|-------------|-------------|-------------------------|---------|--------|---------|-------|------|------|----------|
| 1 | | 13343900 | | OIL_PROTECTION_SHIELD | | | | | | 1 | |
| 2 | | 13343652 | | ASSY_OIL_TUBE | | | | | | 1 | |
| 3 | | 13343603 | | OIL TUBE | | | | * | | 1 | |
| 4 | | 13344205 | | FELT_FOR_HEAD_LUB | | | | * | | 1 | |
| 5 | | 11856101 | | NEEDLE COOLER PIN | | | | * | | 1 | |
| 6 | | SM8060812TP | | SCREW M6 L=8 | | | | | | 1 | |
| 7 | | 13344056 | | ASSY_HEAD_SUCTION | | | | | | 1 | |
| 8 | R | 13344155 | 13344056 | ASSY_HEAD_SUCTION 2 | | | | * | | 1 | 1.00 |
| 9 | | 40019163 | | FELT_FOR_HEAD_SUCTION | | | | * | | 1 | |
| 10 | | 13346408 | | OIL TUBE FOR SUCTION | | | | * | | 1 | |
| 11 | | 23630007 | | TUBE | | | | * | | 0.43 | |
| 12 | | 13344601 | | SUCTION PIPE | | | | * | | 1 | |
| 13 | | 13344502 | | PIPE CLAMP | | | | * | | 1 | |
| 14 | | 13344700 | | BUSHING FOR SUCTION | | | | * | | 1 | |
| 15 | | 13427257 | | ASSY_OIL_PIPE | | | | | | 1 | |
| 16 | | SM4040655SP | | SCREW M4 L=6 | | | | | | 1 | |
| 17 | | 40028110 | | OIL_SAUCER | | | | | | 1 | |
| 18 | | SM4040655SP | | SCREW M4 L=6 | | | | | | 2 | |
| 19 | | NM6040001SP | | NUT M4X0.7 | | | | | | 1 | |
| 20 | | 23629306 | | PIPE STOPPER A | | | | | | 1 | |
| 21 | | BP30000010R | | VINYL PIPE | | | | | | .5 | |
| 22 | | 13427307 | | CONNECTING_SCR_BRACKET | | | | | | 1 | |
| 23 | | 13345053 | | ASSY_OIL_SUPPLY_FOR_TOP | | | | | | 1 | |
| 24 | | 13426051 | | ASSY_PUMP_3-STAGE | | | | | | 1 | |
| 25 | | 13343009 | | WORM WHEEL | | | | * | | 1 | |
| 26 | | SM8050412TP | | SCREW M5 L=4 | | | | * | | 2 | |
| 27 | R | 13426002 | 13426051 | OIL PUMP SHAFT LARGE | | | | * | | 1 | 1.00 |
| 28 | R | 13343108 | 13345459 | OIL PUMP HOUSING | | A | MF-7700 | * | | 1 | 1.00 |
| 28 | R | 13343108 | 13426051 | OIL PUMP HOUSING | | B | MF-7800 | * | | 1 | 1.00 |
| 29 | | 13228309 | | OIL PUMP PINION | | | | * | | 4 | |
| 30 | R | 13343405 | 13345459 | OIL PUMP SPACER | | A | MF-7700 | * | | 2 | 1.00 |
| 30 | R | 13343405 | 13426051 | OIL PUMP SPACER | | B | MF-7800 | * | | 2 | 1.00 |
| 31 | R | 13426101 | 13426051 | OIL PUMP SHAFT SMALL | | | | * | | 1 | 1.00 |
| 32 | | 13426200 | | OIL PUMP CASING UPPER | | | | * | | 1 | |
| 33 | | 13228200 | | OIL PUMP PINION | | | | * | | 2 | |
| 34 | R | 13343207 | 13345459 | OIL PUMP CASING | | A | MF-7700 | * | | 1 | 1.00 |
| 34 | R | 13343207 | 13426051 | OIL PUMP CASING | | B | MF-7800 | * | | 1 | 1.00 |
| 35 | R | 13343306 | 13345459 | OIL PUMP COVER | | A | MF-7700 | * | | 1 | 1.00 |
| 35 | R | 13343306 | 13426051 | OIL PUMP COVER | | B | MF-7800 | * | | 1 | 1.00 |
| 36 | | SM6043000SP | | SCREW | | | | * | | 2 | |
| 37 | | SM6040600SP | | SCREW M4 L=6 | | | | * | | 2 | |
| 38 | | SQ0000451MZ | | CONNECTING SCREW | | | | * | | 1 | |
| 39 | | SQ2060443SD | | CONNECTING SCREW | | | | * | | 1 | |
| 40 | | SQ2060451MZ | | CONNECTING SCREW | | | | * | | 1 | |
| 41 | | 40004749 | | GASCKET | | | | * | | 3 | |
| 42 | | SQ2050452MZ | | CONNECTING SCREW | | | | | | 1 | |

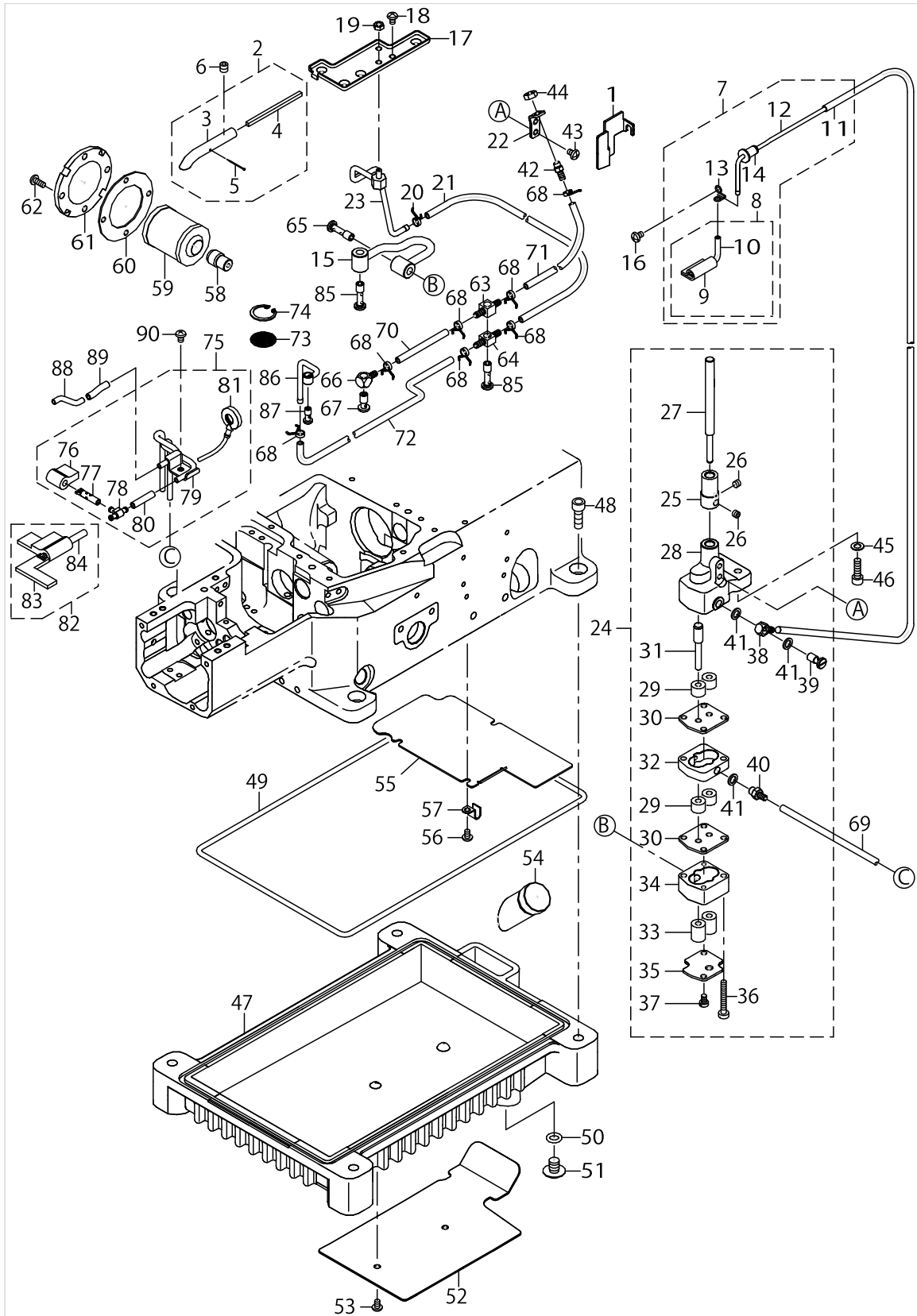
LUBRICATION COMPONENTS



LUBRICATION COMPONENTS

| No. | Supply Code | Parts No. | Replacement | Parts name | Remarks | Choice | Step | Level | Cons | Qty | Rep. QTY |
|-----|-------------|-------------|-------------|-------------------------|---------|--------|------|-------|------|------|----------|
| 43 | | SM4040655SP | | SCREW M4 L=6 | | | | | | 2 | |
| 44 | | NM6050001SP | | NUT M5 | | | | | | 1 | |
| 45 | | WP0550800SP | | WASHER 5.5X10X0.8 | | | | | | 2 | |
| 46 | | SM6051602TP | | SCREW M5X0.8 L=16 | | | | | | 2 | |
| 47 | | 13426309 | | OIL PAN | | | | | | 1 | |
| 48 | | SM6081802TP | | SCREW | | | | | | 4 | |
| 49 | | 13426408 | | O RING | | | | | | 1 | |
| 50 | | 13170105 | | RUBBER RING | | | | | | 1 | |
| 51 | | SM0081001SD | | SCREW | | | | | | 1 | |
| 52 | | 13346309 | | BREEZE_PLATE | | | | | | 1 | |
| 53 | | SM4040655SP | | SCREW M4 L=6 | | | | | | 2 | |
| 54 | | 13346101 | | OIL SIGHT GAUGE | | | | | | 1 | |
| 55 | | 13426606 | | DUSTPROOF PLATE | | | | | | 1 | |
| 56 | | SM4040655SP | | SCREW M4 L=6 | | | | | | 3 | |
| 57 | | 13427604 | | TUBE HOLDER | | | | | | 1 | |
| 58 | | 13343801 | | FITTING FILTER | | | | | | 1 | |
| 59 | | 13142500 | | CARTRIDGE_FILTER | | | | | | 1 | |
| 60 | | 13344809 | | GASKET O | | | | | | 1 | |
| 61 | | 13345202 | | FILTER_COVER | | | | | | 1 | |
| 62 | | SM4041055SP | | SCREW | | | | | | 4 | |
| 63 | | SQ0000453MZ | | CONNECTING SCREW | | | | | | 1 | |
| 64 | | SQ0000454MZ | | CONNECTING SCREW | | | | | | 1 | |
| 65 | | SQ2060442SD | | CONNECTING SCREW | | | | | | 1 | |
| 66 | | SQ0000452MZ | | CONNECTING SCREW | | | | | | 1 | |
| 67 | | SQ2060443SD | | CONNECTING SCREW | | | | | | 1 | |
| 68 | | 23629306 | | PIPE STOPPER A | | | | | | 7 | |
| 69 | | 23630007 | | TUBE | | | | | | .2 | |
| 70 | | BP30000010R | | VINYL PIPE | | | | | | .09 | |
| 71 | | BP30000010R | | VINYL PIPE | | | | | | .14 | |
| 72 | | BP30000010R | | VINYL PIPE | | | | | | .13 | |
| 73 | | 13426903 | | MESH PLATE | | | | | | 1 | |
| 74 | | RC1900002KP | | RETAIN IG-PIN | | | | | | 1 | |
| 75 | | 13427851 | | ASSY_BED_SUCTION | | | | | | 1 | |
| 76 | | 13427802 | | FELT_FOR_BED_SUCTION | | | | * | | 1 | |
| 77 | | 13428305 | | OIL_TUBE_FOR_SUCTION | | | | * | | 1 | |
| 78 | | 13765607 | | OIL CONNEC. ARM | | | | * | | 1 | |
| 79 | | 13426754 | | OIL SUCTION ASSY | | | | * | | 1 | |
| 80 | | 23630007 | | TUBE | | | | * | | 0.03 | |
| 81 | | 13428255 | | ASSY_LOOPER_SUCTION | | | | * | | 1 | |
| 82 | | 13427752 | | ASSY_CYLINDER_SUCTION | | | | | | 1 | |
| 83 | | 13427703 | | FELT_FOR_C_SUCTION | | | | * | | 1 | |
| 84 | | 13346408 | | OIL TUBE FOR SUCTION | | | | * | | 1 | |
| 85 | | SQ2060442SD | | CONNECTING SCREW | | | | | | 2 | |
| 86 | | 13427455 | | ASSY_OIL_SUPPLY_FOR_LMS | | | | | | 1 | |
| 87 | | SQ2050391SD | | CONNECTING SCREW | | | | | | 1 | |
| 88 | | 13428008 | | OIL_SUCTION_FOR_BUSHING | | | | | | 1 | |

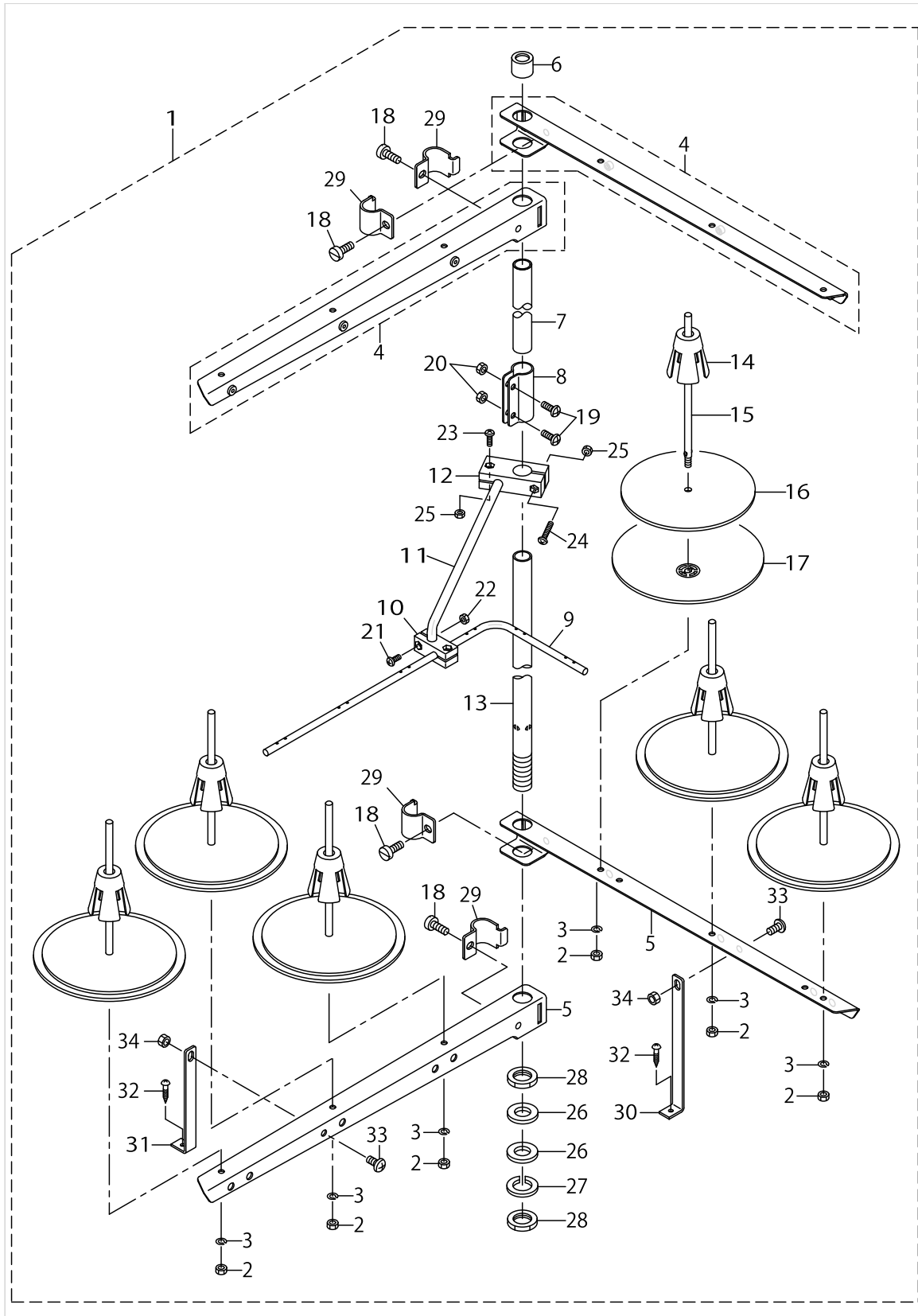
LUBRICATION COMPONENTS



LUBRICATION COMPONENTS

| No. | Supply Code | Parts No. | Replacement | Parts name | Remarks | Choice | Step | Level | Cons | Qty | Rep. QTY |
|-----|-------------|-------------|-------------|--------------|---------|--------|------|-------|------|-----|----------|
| 89 | | 23630007 | | TUBE | | | | | | .02 | |
| 90 | | SM4040655SP | | SCREW M4 L=6 | | | | | | 1 | |

THREAD STAND COMPONENTS

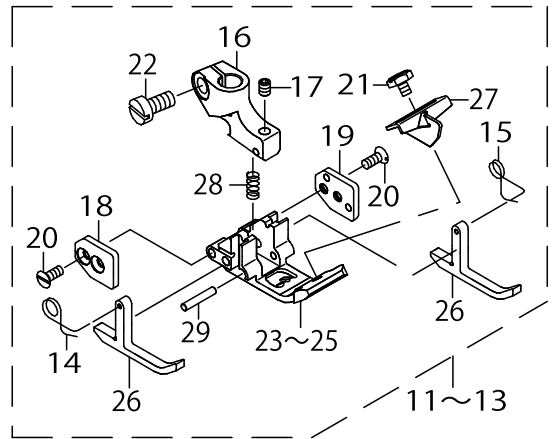
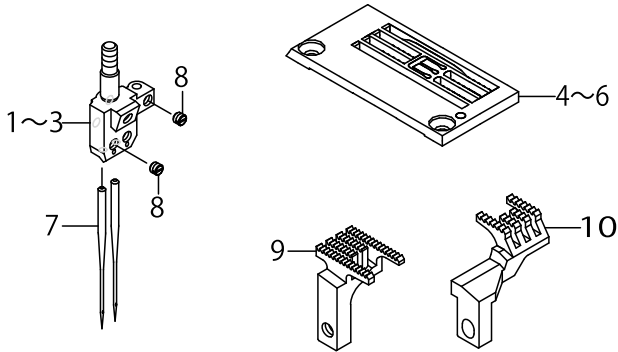


THREAD STAND COMPONENTS

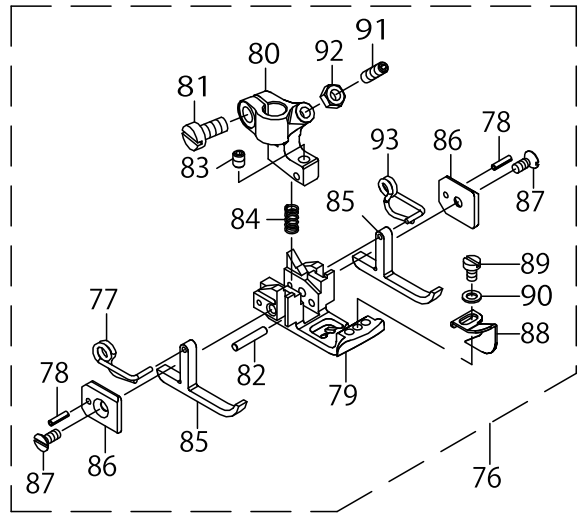
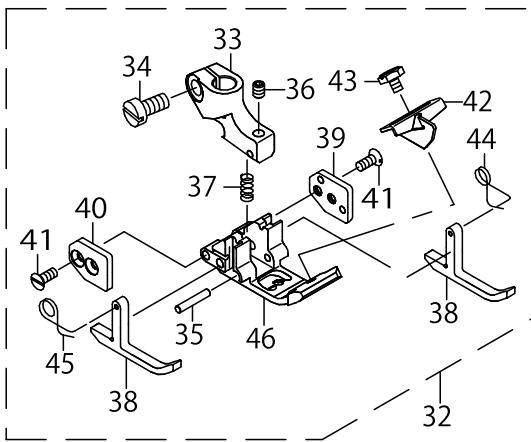
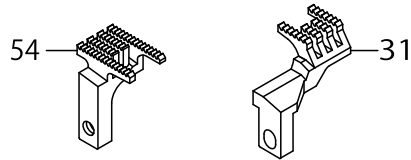
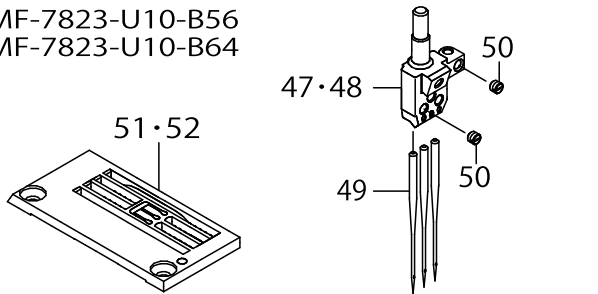
| No. | Supply Code | Parts No. | Replacement | Parts name | Remarks | Choice | Step | Level | Cons | Qty | Rep. QTY |
|-----|-------------|-------------|-------------|--------------------------------|---------|--------|------|-------|------|-----|----------|
| 1 | | 40072506 | | THREAD STAND ASM. | | | | | | 1 | |
| 2 | | NM6050001SE | | NUT M5 | | | | * | | 6 | |
| 3 | | WS0510002KN | | SPRING WASHER | | | | * | | 6 | |
| 4 | | 13168356 | | THREAD STANDING ARM ASM. ,LONG | | | | * | | 2 | |
| 5 | | 13168802 | | THREAD STANDING ARM ,LONG | | | | * | | 2 | |
| 6 | | 22931406 | | THREAD STANDING ROD RUBBER CAP | | | | * | | 1 | |
| 7 | R | 22930408 | 40096354 | THREAD STANDING ROD, UPPER | | | | * | | 1 | 1.00 |
| 8 | R | 22931307 | 40096354 | THREAD STANDING ROD JOINT | | | | * | | 1 | 1.00 |
| 9 | R | 13167903 | 26910059 | THREAD STANDING THREAD GUIDE | | | | * | | 1 | 1.00 |
| 10 | D R | 13168000 | 26910059 | THREAD GUIDE BASE, LOWER | | | | * | | 1 | 1.00 |
| 11 | | 40086675 | | FEED_LEVER_ARM | | | | * | | 1 | |
| 12 | R | 13168208 | 26910059 | THREAD GUIDE ARM BASE | | | | * | | 1 | 1.00 |
| 13 | R | 22930309 | 40096354 | THREAD STANDING ROD, LOWER | | | | * | | 1 | 1.00 |
| 14 | R | 22931109 | 40085791 | SPOOL RETAINER | | | | * | | 6 | 1.00 |
| 15 | R | 22931000 | 40085790 | SPOOL PIN | | | | * | | 6 | 1.00 |
| 16 | | 22930903 | | SPOOL REST CUSHION | | | | * | | 6 | |
| 17 | | 22930804 | | SPOOL REST | | | | * | | 6 | |
| 18 | | SM6061610SC | | SCREW M6 L=16 | | | | * | | 4 | |
| 19 | | SM4051405SE | | SCREW M5 L=14 | | | | * | | 2 | |
| 20 | | NM6050001SE | | NUT M5 | | | | * | | 2 | |
| 21 | | SM4041001SC | | SCREW M4X0.7 L=10 | | | | * | | 2 | |
| 22 | | NM6040002SE | | NUT M4X0.7 | | | | * | | 2 | |
| 23 | | SM4041201SC | | SCREW M4 L=12 | | | | * | | 1 | |
| 24 | | SM4042001SC | | SCREW M4 X 20 | | | | * | | 1 | |
| 25 | | NM6040002SE | | NUT M4X0.7 | | | | * | | 2 | |
| 26 | | WP1612616SE | | WASHER 16X30X2.6 | | | | * | | 2 | |
| 27 | R | WS1643202KR | WP1612616SE | SPRING WASHER | | A | | * | | 1 | 2.00 |
| 27 | R | WS1643202KR | 40085796 | SPRING WASHER | | A | | * | | 1 | 2.00 |
| 28 | | NM6160511SE | | NUT M16X1.5 | | | | * | | 2 | |
| 29 | R | 22930705 | 40096354 | THREAD GUIDE ARM JOINT | | | | * | | 4 | 1.00 |
| 30 | | 13168505 | | THREAD STANDING ARM SUPPORT B | | | | * | | 1 | |
| 31 | | 13168406 | | THREAD STANDING ARM SUPPORT A | | | | * | | 1 | |
| 32 | | SK3382001SE | | SCREW D=3.8 L=20 | | | | * | | 2 | |
| 33 | | SM4061201SE | | SCREW M6 L=12 | | | | * | | 2 | |
| 34 | | NM6060001SE | | NUT M6 | | | | * | | 2 | |

GAUGE PARTS COMPONENTS

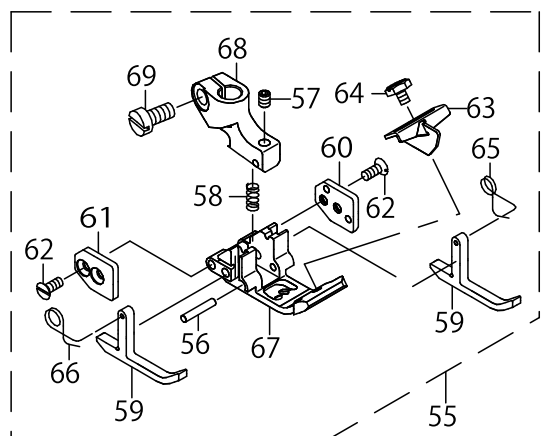
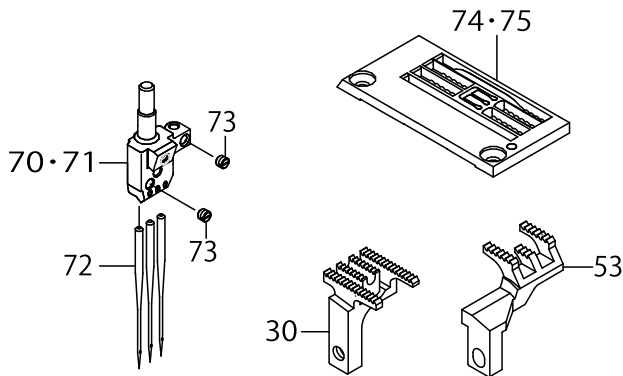
MF-7822-U10-B32
MF-7822-U10-B40
MF-7822-U10-B48



MF-7823-U10-B56
MF-7823-U10-B64



MF-7823-K10-B56
MF-7823-K10-B64

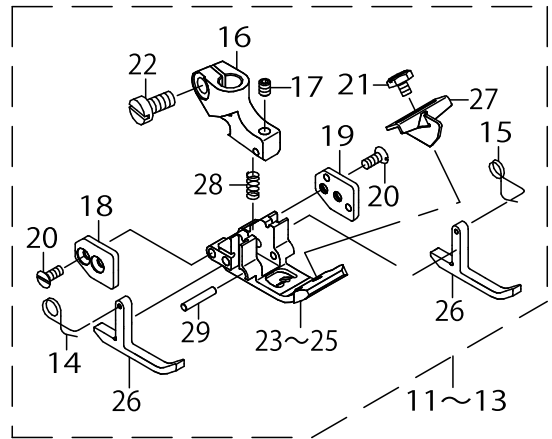
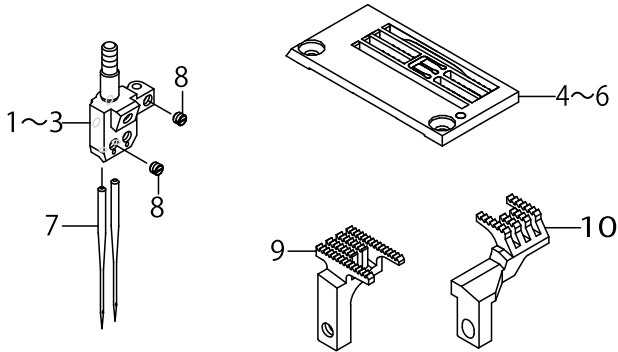


GAUGE PARTS COMPONENTS

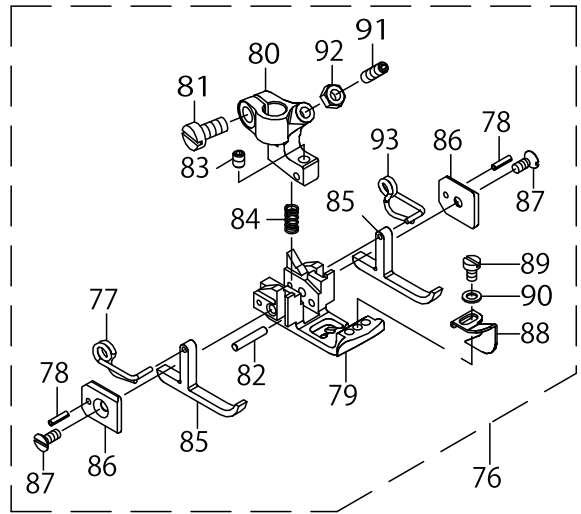
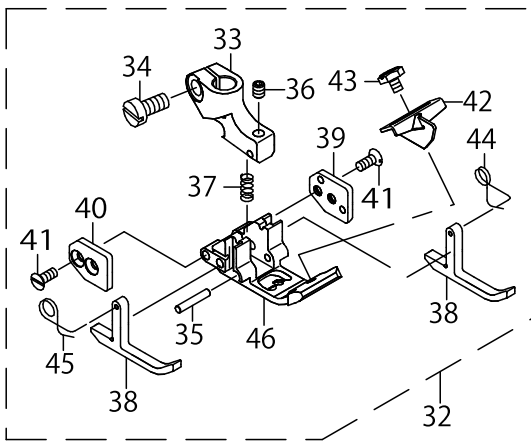
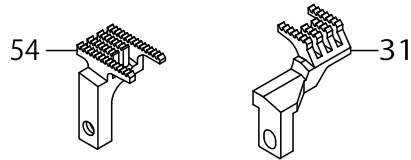
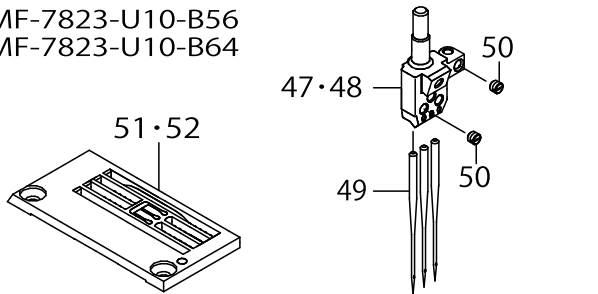
| No. | Supply Code | Parts No. | Replacement | Parts name | Remarks | Choice | Step | Level | Cons | Qty | Rep. QTY |
|-----|-------------|-------------|-------------|----------------------|--------------------------------------|--------|------------------------|-------|------|-----|----------|
| 1 | | 13350509 | | NEEDLE_HEAD_48 | FOR MF-7-822-U10-B48 | | | | | 1 | |
| 2 | | 13350004 | | NEEDLE_HEAD_32 | FOR MF-7-822-U10-B-32 - MF-782 | | | | | 1 | |
| 3 | | 13350103 | | NEEDLE_HEAD_40 | FOR MF-7-822-U10-B-40 - MF-782 | | | | | 1 | |
| 4 | | 40040514 | | THROAT_PLATE | FOR MF-7-822-U10-B48 | | | | | 1 | |
| 5 | | 40058587 | | THROAT_PLATE | FOR MF-7-822-U10-B-32 - MF-782 | | | | | 1 | |
| 6 | | 40058706 | | THROAT_PLATE | FOR MF-7-822-U10-B-40 - MF-782 | | | | | 1 | |
| 7 | | MUY128S1000 | | NEEDLE UYX128GAS #10 | | | | | | 2 | |
| 8 | | SM8030350TP | | SCREW | | | | | | 3 | |
| 9 | | 13431200 | | MAIN_FEED_DOG | | | | | | 1 | |
| 10 | | 13433503 | | DIFF_FEED_DOG | | | | | | 1 | |
| 11 | | 13376058 | | PRESSER_FOOT_ASSY | FOR MF-7-822-U10-B48 | | | | | 1 | |
| 12 | | 40058589 | | PRESSER_FOOT_ASSY | FOR MF-7-822-U10-B-32 - MF-782 | | | | | 1 | |
| 13 | | 40058708 | | PRESSER_FOOT_ASSY | FOR MF-7-822-U10-B-40 - MF-782 | | | | | 1 | |
| 14 | | 13375308 | | SPRING_L | | | | * | | 1 | |
| 15 | | 13375407 | | SPRING_R | | | | * | | 1 | |
| 16 | R | 13375506 | 13375050 | PRESSER_FOOT_HINGE | | A | A:MF-7723-U10-B56 | * | | 1 | 1.00 |
| 16 | R | 13375506 | 13376058 | PRESSER_FOOT_HINGE | | B | B:MF-7723-U10-B48 | * | | 1 | 1.00 |
| 16 | R | 13375506 | 40049394 | PRESSER_FOOT_HINGE | | C | C:PRESSER for 7724-D60 | * | | 1 | 1.00 |
| 17 | | SM8030412TP | | SCREW | | | | * | | 1 | |
| 18 | R | 13375605 | 13375050 | GUIDE_PLATE_L | | A | A:MF-7723-U10-B56 | * | | 1 | 1.00 |
| 18 | R | 13375605 | 13376058 | GUIDE_PLATE_L | | B | B:MF-7723-U10-B48 | * | | 1 | 1.00 |
| 18 | R | 13375605 | 40049394 | GUIDE_PLATE_L | | C | C:PRESSER for 7724-D60 | * | | 1 | 1.00 |
| 19 | R | 13375704 | 13375050 | GUIDE_PLATE_R | | A | A:MF-7723-U10-B56 | * | | 1 | 1.00 |
| 19 | R | 13375704 | 13376058 | GUIDE_PLATE_R | | B | B:MF-7723-U10-B48 | * | | 1 | 1.00 |
| 19 | R | 13375704 | 40049394 | GUIDE_PLATE_R | | C | C:PRESSER for 7724-D60 | * | | 1 | 1.00 |
| 20 | | SM1850600SP | | SCREW | | | | * | | 4 | |
| 21 | | 13377007 | | SCREW | | | | * | | 1 | |
| 22 | | SM6040800SP | | SCREW | | | | * | | 1 | |
| 23 | R | 13376009 | 13376058 | PRESSER_FOOT_BOTTOM | FOR MF-7-822-U10-B48 | | | * | | 1 | 1.00 |
| 24 | | 40058588 | | PRESSER_FOOT_BOTTOM | FOR MF-7-822-U10-B-32 - MF-782 | | | * | | 1 | |

GAUGE PARTS COMPONENTS

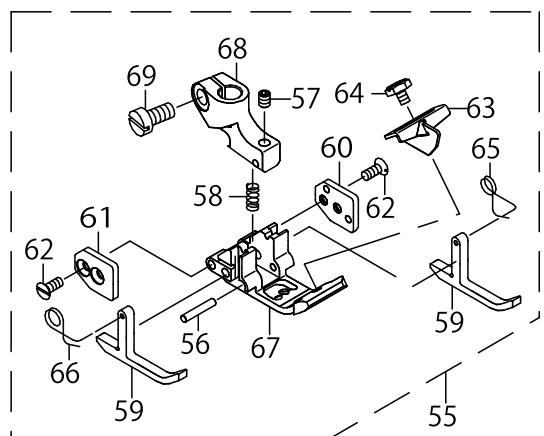
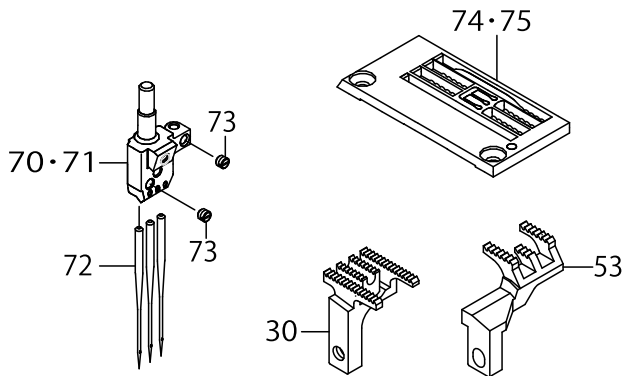
MF-7822-U10-B32
MF-7822-U10-B40
MF-7822-U10-B48



MF-7823-U10-B56
MF-7823-U10-B64



MF-7823-K10-B56
MF-7823-K10-B64

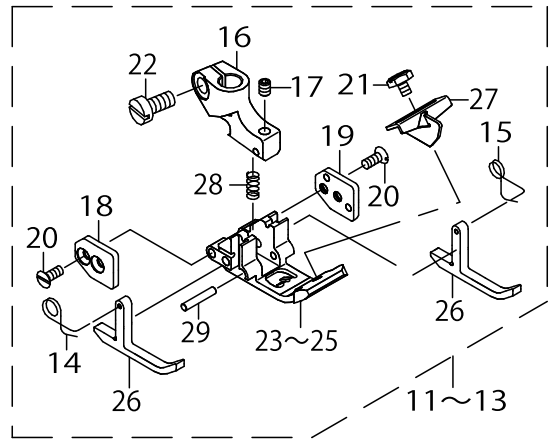
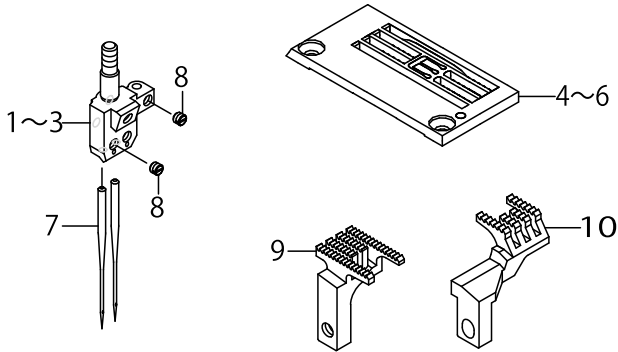


GAUGE PARTS COMPONENTS

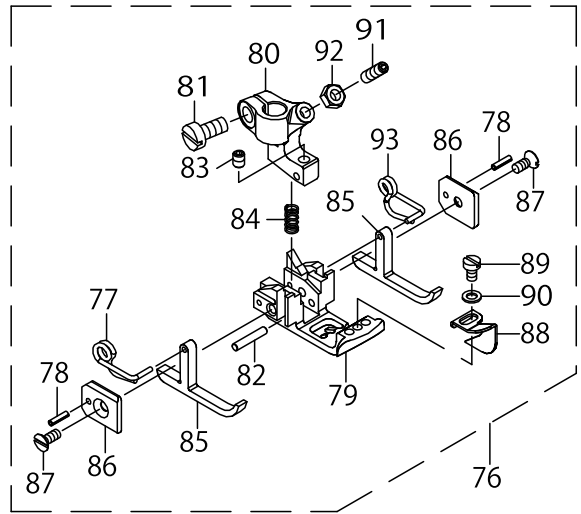
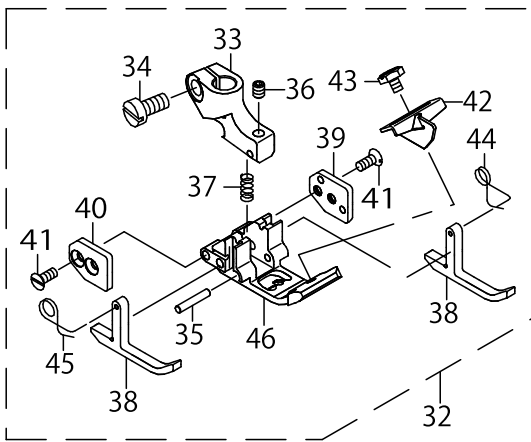
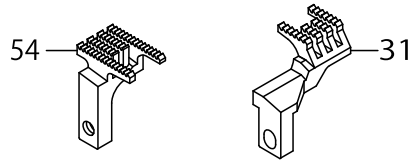
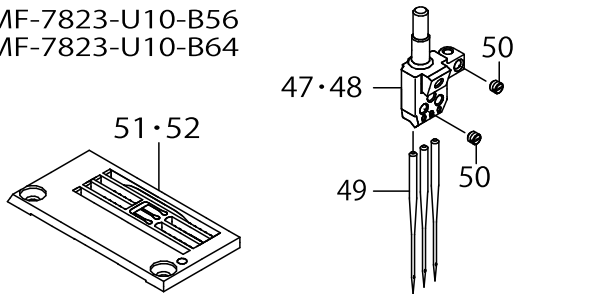
| No. | Supply Code | Parts No. | Replacement | Parts name | Remarks | Choice | Step | Level | Cons | Qty | Rep. QTY |
|-----|-------------|-------------|-------------|------------------------|---------------------------------|--------|------------------------|-------|------|-----|----------|
| 25 | R | 40058707 | 40058708 | PRESSER_FOOT_BOTTOM_40 | FOR MF-7-822-U10-B-40 MF-782 | | | * | | 1 | 1.00 |
| 26 | R | 13375100 | 13375050 | P_F_YIELDING_SECTION | | A | A:MF-7723-U10-B56 | * | | 2 | 1.00 |
| 26 | R | 13375100 | 13376058 | P_F_YIELDING_SECTION | | B | B:MF-7723-U10-B48 | * | | 2 | 1.00 |
| 26 | R | 13375100 | 40049394 | P_F_YIELDING_SECTION | | C | C:PRESSER for 7724-D60 | * | | 2 | 1.00 |
| 27 | | 13376900 | | PRESSER_FOOT_GUIDE | | | | * | | 1 | |
| 28 | | 13377106 | | SPRING | | | | * | | 1 | |
| 29 | | 13375209 | | PIVOT_PIN | | | | * | | 1 | |
| 30 | | 13430707 | | MAIN_FEED_DOG | | | | | | 1 | |
| 31 | | 13432109 | | DIFF_FEED_DOG | | | | | | 1 | |
| 32 | | 13375050 | | PRESSER_FOOT_ASSY | TYPE TURKEY | | | | | 1 | |
| 33 | R | 13375506 | 13375050 | PRESSER_FOOT_HINGE | | A | A:MF-7723-U10-B56 | * | | 1 | 1.00 |
| 33 | R | 13375506 | 13376058 | PRESSER_FOOT_HINGE | | B | B:MF-7723-U10-B48 | * | | 1 | 1.00 |
| 33 | R | 13375506 | 40049394 | PRESSER_FOOT_HINGE | | C | C:PRESSER for 7724-D60 | * | | 1 | 1.00 |
| 34 | | SM6040800SP | | SCREW | | | | * | | 1 | |
| 35 | | 13375209 | | PIVOT_PIN | | | | * | | 1 | |
| 36 | | SM8030412TP | | SCREW | | | | * | | 1 | |
| 37 | | 13377106 | | SPRING | | | | * | | 1 | |
| 38 | R | 13375100 | 13375050 | P_F_YIELDING_SECTION | | A | A:MF-7723-U10-B56 | * | | 2 | 1.00 |
| 38 | R | 13375100 | 13376058 | P_F_YIELDING_SECTION | | B | B:MF-7723-U10-B48 | * | | 2 | 1.00 |
| 38 | R | 13375100 | 40049394 | P_F_YIELDING_SECTION | | C | C:PRESSER for 7724-D60 | * | | 2 | 1.00 |
| 39 | R | 13375704 | 13375050 | GUIDE_PLATE_R | | A | A:MF-7723-U10-B56 | * | | 1 | 1.00 |
| 39 | R | 13375704 | 13376058 | GUIDE_PLATE_R | | B | B:MF-7723-U10-B48 | * | | 1 | 1.00 |
| 39 | R | 13375704 | 40049394 | GUIDE_PLATE_R | | C | C:PRESSER for 7724-D60 | * | | 1 | 1.00 |
| 40 | R | 13375605 | 13375050 | GUIDE_PLATE_L | | A | A:MF-7723-U10-B56 | * | | 1 | 1.00 |
| 40 | R | 13375605 | 13376058 | GUIDE_PLATE_L | | B | B:MF-7723-U10-B48 | * | | 1 | 1.00 |
| 40 | R | 13375605 | 40049394 | GUIDE_PLATE_L | | C | C:PRESSER for 7724-D60 | * | | 1 | 1.00 |
| 41 | | SM1850600SP | | SCREW | | | | * | | 4 | |
| 42 | | 13376900 | | PRESSER_FOOT_GUIDE | | | | * | | 1 | |
| 43 | | 13377007 | | SCREW | | | | * | | 1 | |
| 44 | | 13375407 | | SPRING_R | | | | * | | 1 | |
| 45 | | 13375308 | | SPRING_L | | | | * | | 1 | |
| 46 | R | 13375001 | 13375050 | PRESSER_FOOT_BOTTOM | | | | * | | 1 | 1.00 |
| 47 | | 13350301 | | NEEDLE_HEAD_56 | FOR MF-7-823-U10-B56 | | | | | 1 | |
| 48 | | 13350400 | | NEEDLE_HEAD_64 | FOR MF-7-823-U10-B64 | | | | | 1 | |
| 49 | | MUY128S1000 | | NEEDLE UYX128GAS #10 | | | | | | 3 | |
| 50 | | SM8030350TP | | SCREW | | | | | | 4 | |
| 51 | | 40058033 | | THROAT_PLATE | FOR MF-7-823-U10-B56 | | | | | 1 | |
| 52 | | 40040513 | | THROAT PLATE | FOR MF-7-823-U10-B64 | | | | | 1 | |

GAUGE PARTS COMPONENTS

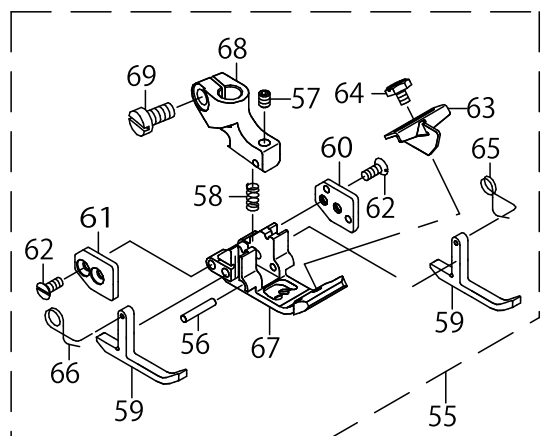
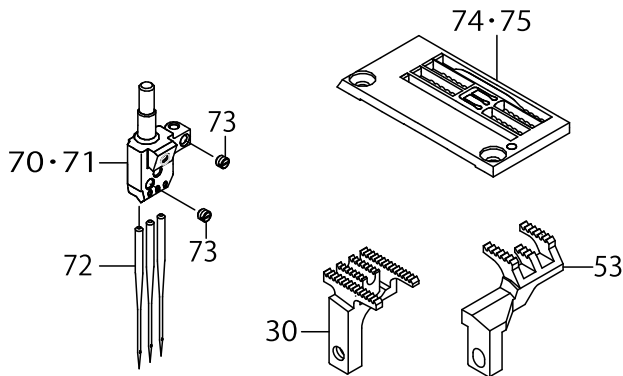
MF-7822-U10-B32
MF-7822-U10-B40
MF-7822-U10-B48



MF-7823-U10-B56
MF-7823-U10-B64



MF-7823-K10-B56
MF-7823-K10-B64

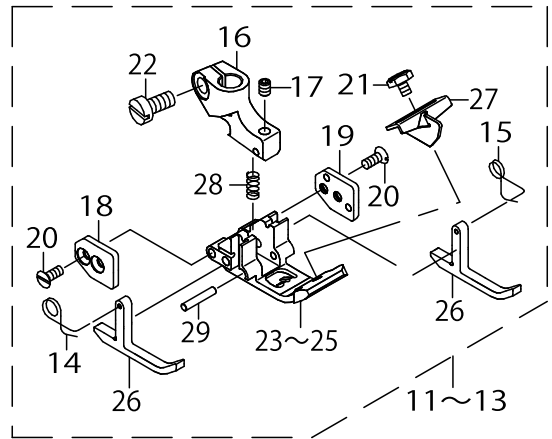
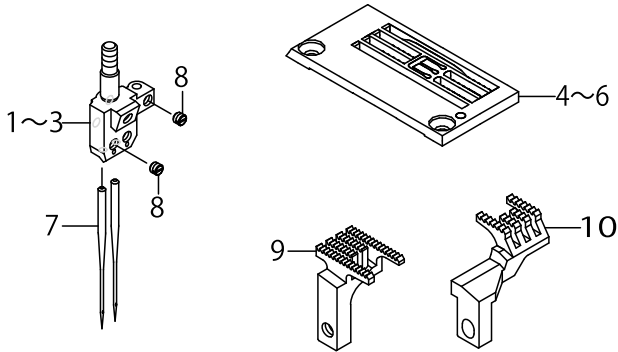


GAUGE PARTS COMPONENTS

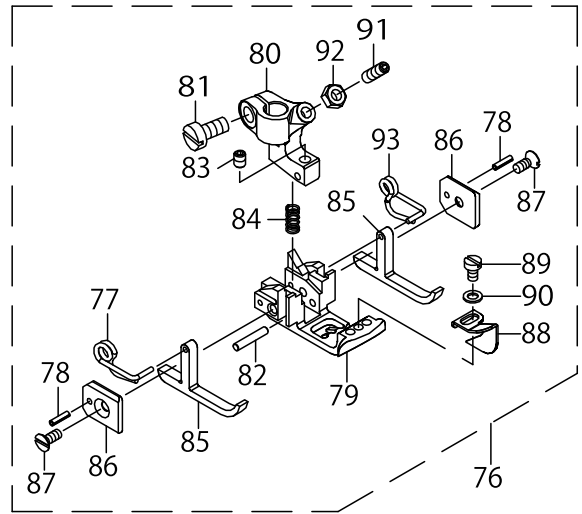
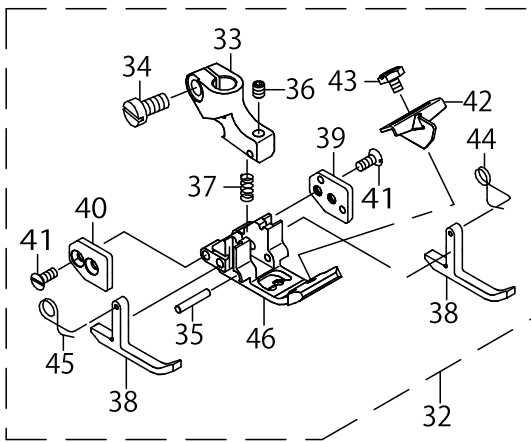
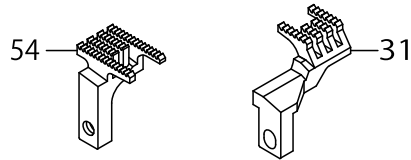
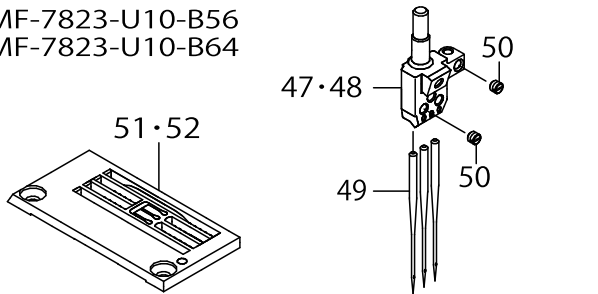
| No. | Supply Code | Parts No. | Replacement | Parts name | Remarks | Choice | Step | Level | Cons | Qty | Rep. QTY |
|-----|-------------|-------------|-------------|----------------------|--------------------------|--------|---------------------------|-------|------|-----|----------|
| 53 | | 13432901 | | DIFF_FEED_DOG | | | | | | 1 | |
| 54 | | 13430103 | | MAIN_FEED_DOG | | | | | | 1 | |
| 55 | | 13375050 | | PRESSER_FOOT_ASSY | TYPE TURKEY | | | | | 1 | |
| 56 | | 13375209 | | PIVOT_PIN | | | | * | | 1 | |
| 57 | | SM8030412TP | | SCREW | | | | * | | 1 | |
| 58 | | 13377106 | | SPRING | | | | * | | 1 | |
| 59 | R | 13375100 | 13375050 | P_F_YIELDING_SECTION | | A | A:MF-7723- -U10-B56 | * | | 2 | 1.00 |
| 59 | R | 13375100 | 13376058 | P_F_YIELDING_SECTION | | B | B:MF-7723- -U10-B48 | * | | 2 | 1.00 |
| 59 | R | 13375100 | 40049394 | P_F_YIELDING_SECTION | | C | C:PRESSER for 7724-D60 | * | | 2 | 1.00 |
| 60 | R | 13375704 | 13375050 | GUIDE_PLATE_R | | A | A:MF-7723- -U10-B56 | * | | 1 | 1.00 |
| 60 | R | 13375704 | 13376058 | GUIDE_PLATE_R | | B | B:MF-7723- -U10-B48 | * | | 1 | 1.00 |
| 60 | R | 13375704 | 40049394 | GUIDE_PLATE_R | | C | C:PRESSER for 7724-D60 | * | | 1 | 1.00 |
| 61 | R | 13375605 | 13375050 | GUIDE_PLATE_L | | A | A:MF-7723- -U10-B56 | * | | 1 | 1.00 |
| 61 | R | 13375605 | 13376058 | GUIDE_PLATE_L | | B | B:MF-7723- -U10-B48 | * | | 1 | 1.00 |
| 61 | R | 13375605 | 40049394 | GUIDE_PLATE_L | | C | C:PRESSER for 7724-D60 | * | | 1 | 1.00 |
| 62 | | SM1850600SP | | SCREW | | | | * | | 4 | |
| 63 | | 13376900 | | PRESSER_FOOT_GUIDE | | | | * | | 1 | |
| 64 | | 13377007 | | SCREW | | | | * | | 1 | |
| 65 | | 13375407 | | SPRING_R | | | | * | | 1 | |
| 66 | | 13375308 | | SPRING_L | | | | * | | 1 | |
| 67 | R | 13375001 | 13375050 | PRESSER_FOOT_BOTTOM | | | | * | | 1 | 1.00 |
| 68 | R | 13375506 | 13375050 | PRESSER_FOOT_HINGE | | A | A:MF-7723- -U10-B56 | * | | 1 | 1.00 |
| 68 | R | 13375506 | 13376058 | PRESSER_FOOT_HINGE | | B | B:MF-7723- -U10-B48 | * | | 1 | 1.00 |
| 68 | R | 13375506 | 40049394 | PRESSER_FOOT_HINGE | | C | C:PRESSER for 7724-D60 | * | | 1 | 1.00 |
| 69 | | SM6040800SP | | SCREW | | | | * | | 1 | |
| 70 | | 13350301 | | NEEDLE_HEAD_56 | FOR MF-7- 823-K10-B56 | | | | | 1 | |
| 71 | | 13350400 | | NEEDLE_HEAD_64 | FOR MF-7- 823-K10-B64 | | | | | 1 | |
| 72 | | MUY128S1000 | | NEEDLE UYX128GAS #10 | | | | | | 3 | |
| 73 | | SM8030350TP | | SCREW | | | | | | 4 | |
| 74 | | 13352307 | | THROAT PLATE | FOR MF-7- 823-K10-B56 | | | | | 1 | |
| 75 | | 13352406 | | THROAT_PLATE | FOR MF-7- 823-K10-B64 | | | | | 1 | |
| 76 | | 40082974 | | PRESSER_FOOT_ASSY | EXCEPT T- YPE TURKEY | | | | | 1 | |
| 77 | | 40070229 | | SPRING_L | | | | * | | 1 | |
| 78 | | PS0150065KP | | SPRING PIN 1.5X6 | | | | * | | 2 | |
| 79 | R | 40082975 | 40082974 | PRESSER_FOOT_BOTTOM | | | | * | | 1 | 1.00 |
| 80 | | 40070224 | | PRESSER_FOOT_HINGE | | | | * | | 1 | |
| 81 | | SM6040800SP | | SCREW | | | | * | | 1 | |
| 82 | | 13375209 | | PIVOT_PIN | | | | * | | 1 | |
| 83 | | SM8030412TP | | SCREW | | | | * | | 1 | |
| 84 | | 13377106 | | SPRING | | | | * | | 1 | |

GAUGE PARTS COMPONENTS

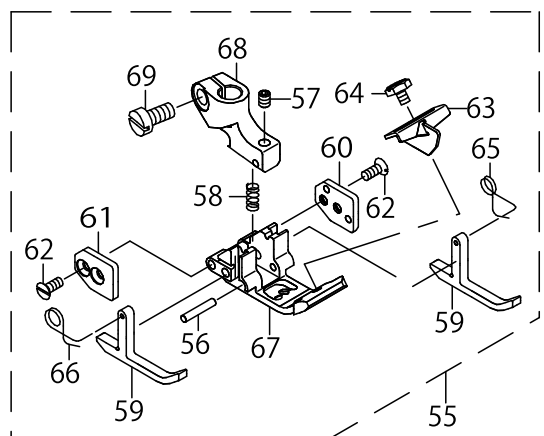
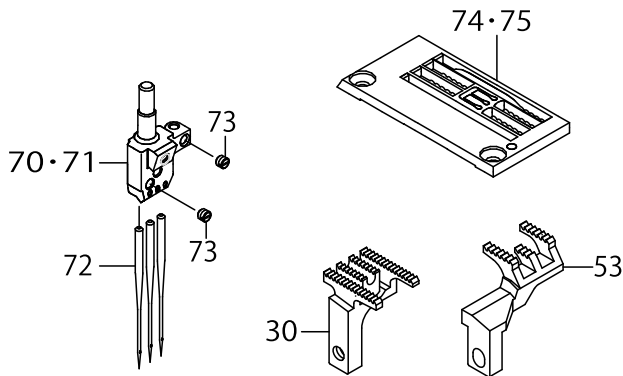
MF-7822-U10-B32
MF-7822-U10-B40
MF-7822-U10-B48



MF-7823-U10-B56
MF-7823-U10-B64



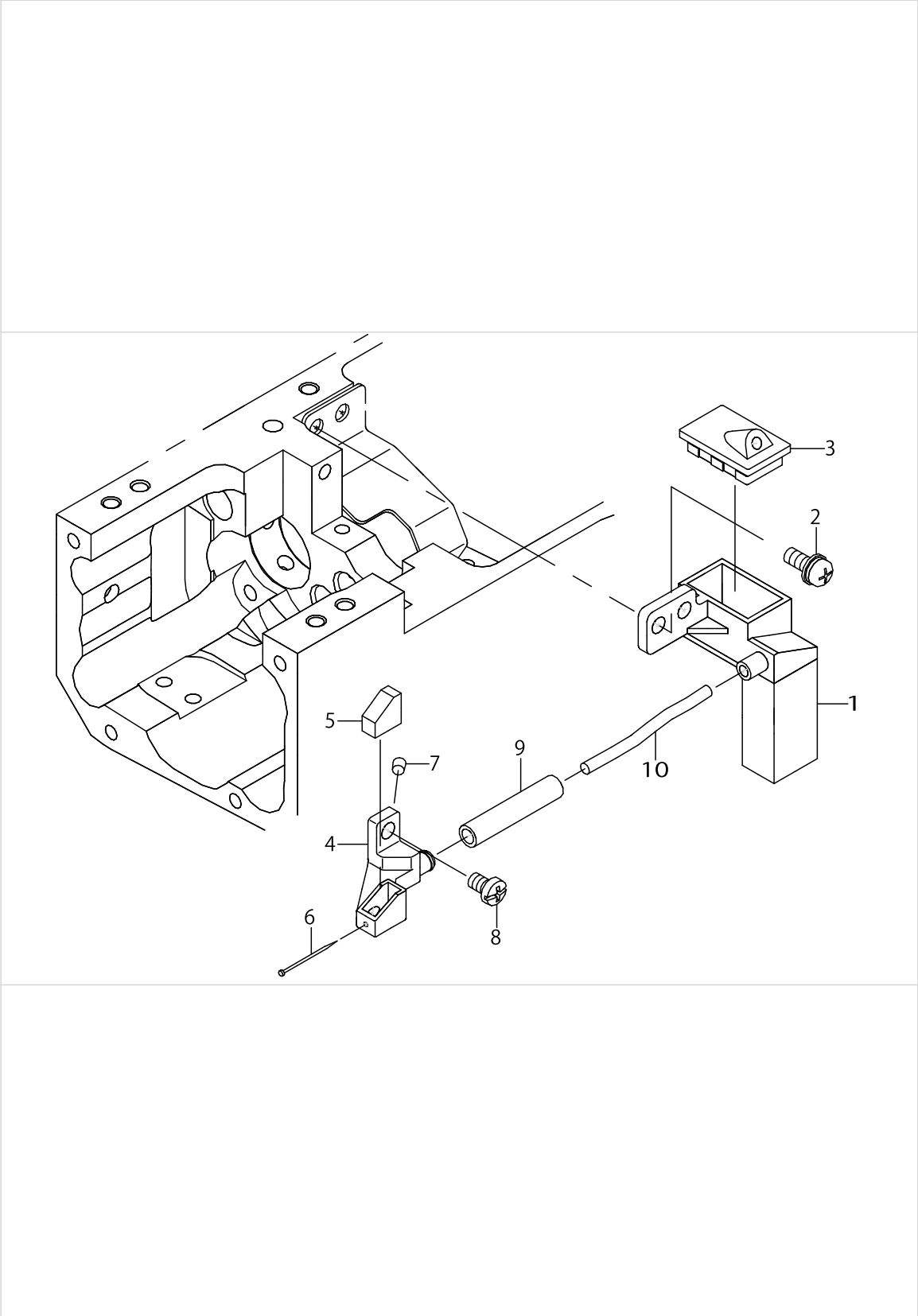
MF-7823-K10-B56
MF-7823-K10-B64



GAUGE PARTS COMPONENTS

| No. | Supply Code | Parts No. | Replacement | Parts name | Remarks | Choice | Step | Level | Cons | Qty | Rep. QTY |
|-----|-------------|-------------|-------------|----------------------|---------|--------|------|-------|------|-----|----------|
| 85 | | 40070226 | | P_F_YIELDING_SECTION | | | | * | | 2 | |
| 86 | | 40070227 | | GUIDE_PLATE | | | | * | | 2 | |
| 87 | | SM1850600SP | | SCREW | | | | * | | 2 | |
| 88 | | 40070231 | | PRESSER_FOOT_GUIDE | | | | * | | 1 | |
| 89 | | SM6850400SP | | SCREW M2.5 L=4 | | | | * | | 1 | |
| 90 | | WP0280500SC | | WASHER | | | | * | | 1 | |
| 91 | | SM8031002TP | | SCREW | | | | * | | 1 | |
| 92 | | NM6030001SD | | NUT M3X0.5 | | | | * | | 1 | |
| 93 | | 40070230 | | SPRING_R | | | | * | | 1 | |

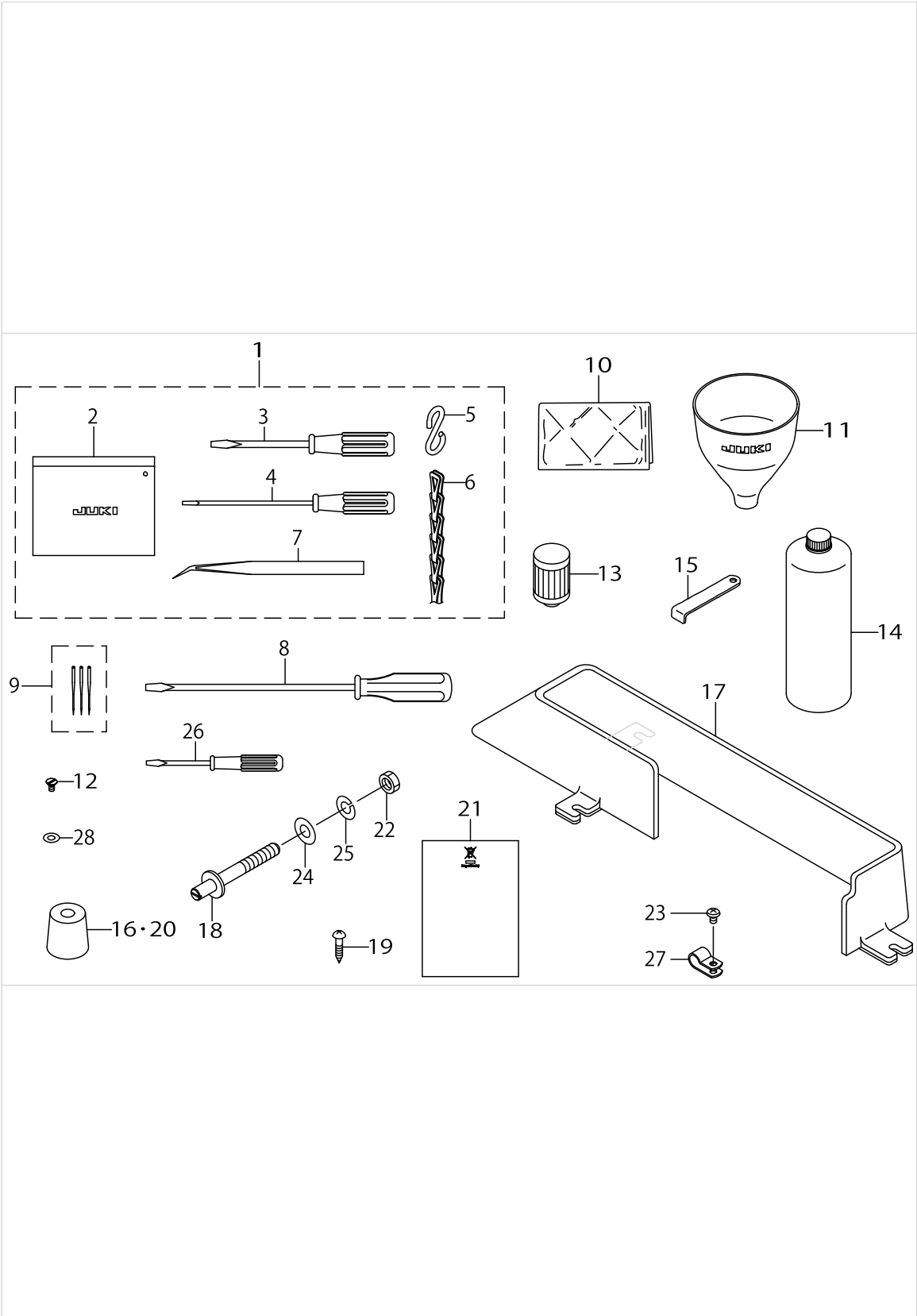
NEEDLE COOLING MECHANISM COMPONENTS



NEEDLE COOLING MECHANISM COMPONENTS

| No. | Supply Code | Parts No. | Replacement | Parts name | Remarks | Choice | Step | Level | Cons | Qty | Rep. QTY |
|-----|-------------|-------------|-------------|------------------------|---------|--------|------|-------|------|-----|----------|
| 1 | | 13429055 | | SILICONE OIL TANK ASSY | | | | | | 1 | |
| 2 | | SL4041081SC | | SCREW M4 L=10 | | | | | | 2 | |
| 3 | | 13429105 | | SILICONE OIL TANK CAP | | | | | | 1 | |
| 4 | | 13429204 | | SILICONE OIL CUP | | | | | | 1 | |
| 5 | | 13429303 | | FELT | | | | | | 1 | |
| 6 | | 11856101 | | NEEDLE COOLER PIN | | | | | | 1 | |
| 7 | | TA0290301M0 | | PLUG | | | | | | 1 | |
| 8 | | SM4040655SP | | SCREW M4 L=6 | | | | | | 1 | |
| 9 | | BT0600402EA | | OIL TUBE | | | | | | .03 | |
| 10 | | CQ303000000 | | OIL WICK | | | | | | .1 | |

ACCESSORIES PARTS COMPONENTS



ACCESSORIES PARTS COMPONENTS

| No. | Supply Code | Parts No. | Replacement | Parts name | Remarks | Choice | Step | Level | Cons | Qty | Rep. QTY |
|-----|-------------|-------------|-------------|------------------------|---------|--------|------|-------|------|-----|----------|
| 1 | | 40013913 | | ACCESSORY_BAG_ASSY | | | | | | 1 | |
| 2 | | 22932800 | | ACCESSORIE BAG | | | | * | | 1 | |
| 3 | | 22933105 | | SCREW DRIVER,MIDDLE | | | | * | | 1 | |
| 4 | | 12347308 | | SCREW DRIVER (SMALL) | | | | * | | 1 | |
| 5 | | 13160304 | | S SHAPED HOOK | | | | * | | 2 | |
| 6 | | 26037903 | | CHAIN | | | | * | | 1 | |
| 7 | | 12288403 | | TWEEZERS | | | | * | | 1 | |
| 8 | | 22933006 | | SCREW DRIVER,LARGE | | | | | | 1 | |
| 9 | | MUY128S1003 | | NEEDLES(PACKAGE_OF_3) | | | | | | 1 | |
| 10 | | 40066645 | | HEAD_COVER | | | | | | 1 | |
| 11 | | 13160601 | | FUNNEL | | | | | | 1 | |
| 12 | | 13302203 | | SCREW | | | | | | 1 | |
| 13 | | 13142500 | | CARTRIDGE_FILTER | | | | | | 1 | |
| 14 | | MML018900CA | | JUKI MACHINE OIL 18 | | | | | | 1 | |
| 15 | | B9101490000 | | DRIVER | | | | | | 1 | |
| 16 | | 13155403 | | DUST-PROOF RUBBER | | | | | | 3 | |
| 17 | | 13429709 | | BELT_COVER | | | | | | 1 | |
| 18 | | 13349600 | | PIN_FOR_RUBBER_CUSHION | | | | | | 4 | |
| 19 | | SK3412001SE | | WOOD SCREW D=4.1 L=20 | | | | | | 3 | |
| 20 | | 40072505 | | ISOLATOR | | | | | | 1 | |
| 21 | | CM600100201 | | WEEE INFORMATION SHEET | | | | | | 1 | |
| 22 | | NM6080003SC | | NUT M8 | | | | | | 4 | |
| 23 | | SM4040655SP | | SCREW M4 L=6 | | | | | | 1 | |
| 24 | | WP0851216SC | | WASHER 8.5X18.0X1.2 | | | | | | 4 | |
| 25 | | WS0820002KR | | SPRING WASHER, M8 | | | | | | 4 | |
| 26 | | 22933204 | | SCREW DRIVER,SMALL | | | | | | 1 | |
| 27 | | HX00150000C | | CABLE CLIP | | | | | | 1 | |
| 28 | | WP0450826SC | | WASHER 4.5X10X0.8 | | | | | | 3 | |

LIST FOR INFORMATION OF CHANGE

As to the place changed, refer to the corresponding Rev.No.
 When previous parts(Obsoleted part)and new parts(Added parts)are
 not interchangeable with each other:
 In this case,even obsoleted parts(D.)can be ordered with the
 obsoleted part number,so select the parts with changed dates and
 place your orders.

変更箇所は、該当Rev.No.版をご参照ください。
 部品の互換性がない変更の場合は、削除された品番でも、ご注文できます。

13450200
 No.1380-06 Rev.No.

*A:Added parts追加部品/D:Obsoleted parts削除部品/E:Erratum訂正

| * Rev. No. | Page 頁 | Ref. No. | Parts No. 品番 | * Rev. No. | Page 頁 | Ref. No. | Parts No. 品番 |
|------------|--------|----------|---------------|------------|--------|----------|---------------|
| D 05 | 2 | 3 | SM-8040412-TP | | | | |
| D 05 | 4 | 29 | 133-01908 | | | | |
| D 05 | 4 | 30 | 133-02500 | | | | |
| D 05 | 4 | 39 | SM-6040870-SP | A 06 | 4 | 39 | SM-6040860-TP |
| | | | | A 06 | 4 | 34 | 400-82196 |
| | | | | A 06 | 4 | 35 | SM-6040750-TP |
| | | | | A 06 | 4 | 52 | 400-53156 |
| D 05 | 6 | 59 | 400-64975 | A 06 | 6 | 59 | 400-88113 |
| D 05 | 8 | 35 | SM-8040410-TP | A 06 | 8 | 35 | SM-8040412-TP |
| D 05 | 8 | 68 | SM-9062550-TP | A 06 | 8 | 68 | SM-6062550-TP |
| D 05 | 12 | 60 | SM-4040655-SN | A 06 | 12 | 60 | SM-4040655-SP |
| D 05 | 16 | 24 | SM-6040800-SP | A 06 | 16 | 24 | SM-6041000-SP |
| D 05 | 18 | 15 | SM-6040600-SP | A 06 | 18 | 15 | SM-6040602-TP |
| D 05 | 18 | 23 | 400-64974 | A 06 | 18 | 23 | 400-88112 |
| | | | | A 06 | 18 | 27 | 400-87053 |
| | | | | A 06 | 18 | 28 | 400-87054 |
| | | | | A 06 | 18 | 29 | 400-87068 |
| | | | | A 06 | 18 | 30 | 400-87055 |
| D 05 | 22 | 19 | B2107-816-000 | A 06 | 22 | 19 | 131-20605 |
| | | | | A 06 | 22 | 51 | 400-87067 |
| D 05 | 28 | 5 | 131-68307 | A 06 | 28 | 5 | 131-68802 |
| D 05 | 28 | 9 | 400-56675 | A 06 | 28 | 9 | 131-67903 |
| D 05 | 28 | 11 | 131-68109 | A 06 | 28 | 11 | 400-86675 |
| | | | | A 06 | 28 | 30 | 131-68505 |
| | | | | A 06 | 28 | 31 | 131-68406 |
| | | | | A 06 | 28 | 32 | SK-3382001-SE |
| | | | | A 06 | 28 | 33 | SM-4061201-SE |
| | | | | A 06 | 28 | 34 | NM-6060001-SE |
| D 05 | 30 | 30 | 134-33503 | | | | |
| D 05 | 30 | 51 | 400-40515 | A 06 | 30 | 51 | 400-58033 |
| D 05 | 30 | 53 | 134-31200 | | | | |
| | | | | A 06 | 30 | 76 | 400-82974 |
| | | | | | | | |
| | | | | | | | |
| | | | | | | | |

HOW TO MAKE USE OF THIS PARTS LIST

1.Explanation of codes

1)"*"mark.....means this part is changed from the previous parts book.

As to the details of the change, refer to the "List for information of change".

2)"#01".....refer to "Note" explanation at bottom of page.

2.Codes on the "Qty" column

- Each numeral indicates the number of parts required.
- "0.1" and "2.5" indicate the length (in meters) of the respective parts.

3.Parentheses mean that the corresponding part is a subpart that constructs an assembly part.

4.Dotted lines on the Figures indicate assembly parts.

1."注記"欄の記号説明

1) "*"印.....前回のパーツブックに比較して今回変更された部品を意味します。

変更内容は、"変更情報リスト"を参照してください。

2) "#01".....ページ下の"注記"の説明を参照してください。

2.数量欄の数字は、個数を表し、0.1、2.5等の数値は、長さ（単位メートル）を表します。

3.数量欄の（ ）は、組部品を構成している子部品であることを意味します。

4.イラストページの-----枠は、組構成であることを意味します。

NUMERICAL INDEX OF PARTS

| PART NO | PAGE | REF NO. | PART NO | PAGE | REF NO. | PART NO | PAGE | REF NO. |
|----------|------|---------|----------|------|---------|----------|------|---------|
| 10753309 | 6 | 8 | 13302302 | 2 | 52 | 13314752 | 16 | 55 |
| 11856101 | 44 | 5 | 13302302 | 4 | 52 | 13314802 | 16 | 54 |
| 11856101 | 60 | 6 | 13302401 | 2 | 28 | 13314901 | 16 | 59 |
| 12116604 | 18 | 37~41 | 13302708 | 2 | 43 | 13315007 | 16 | 49 |
| 12116703 | 18 | 37~41 | 13307004 | 10 | 1 | 13315106 | 16 | 61 |
| 12116802 | 18 | 37~41 | 13307251 | 10 | 4 | 13315205 | 16 | 47 |
| 12116901 | 18 | 37~41 | 13307301 | 10 | 7 | 13315304 | 16 | 63 |
| 12117008 | 18 | 37~41 | 13307459 | 10 | 9 | 13315353 | 16 | 62 |
| 12288403 | 62 | 7 | 13307509 | 10 | 11 | 13315502 | 16 | 67 |
| 12347308 | 62 | 4 | 13307608 | 10 | 16 | 13315551 | 16 | 66 |
| 13120605 | 20 | 91 | 13307657 | 10 | 13 | 13315601 | 16 | 72 |
| 13120605 | 38 | 19 | 13307707 | 10 | 22 | 13315650 | 16 | 71 |
| 13123302 | 16 | 76 | 13307806 | 12 | 66~68 | 13315700 | 16 | 73 |
| 13123302 | 26 | 58 | 13308309 | 10 | 37 | 13315809 | 16 | 74 |
| 13138201 | 42 | 22 | 13309000 | 10 | 35 | 13315908 | 14 | 30 |
| 13140504 | 42 | 9 | 13309158 | 10 | 32 | 13316203 | 14 | 41 |
| 13142500 | 46 | 59 | 13309208 | 10 | 23 | 13316302 | 14 | 34 |
| 13142500 | 62 | 13 | 13309307 | 12 | 66~68 | 13317300 | 18 | 21 |
| 13155403 | 62 | 16·20 | 13309406 | 12 | 66~68 | 13318001 | 20 | 67 |
| 13160304 | 62 | 5 | 13311006 | 14 | 3 | 13318308 | 20 | 75 |
| 13160601 | 62 | 11 | 13311204 | 14 | 2 | 13318704 | 18 | 15~17 |
| 13167903 | 50 | 9 | 13311253 | 14 | 1 | 13318803 | 18 | 15~17 |
| 13168000 | 50 | 10 | 13311303 | 14 | 4 | 13318902 | 18 | 15~17 |
| 13168208 | 50 | 12 | 13311451 | 14 | 21 | 13321203 | 26 | 57 |
| 13168356 | 50 | 4 | 13311501 | 14 | 14 | 13323308 | 18 | 9~11 |
| 13168406 | 50 | 31 | 13311600 | 14 | 13 | 13323407 | 18 | 9~11 |
| 13168505 | 50 | 30 | 13311808 | 14 | 20 | 13323506 | 18 | 9~11 |
| 13168802 | 50 | 5 | 13311907 | 14 | 19 | 13324009 | 10 | 17 |
| 13170105 | 46 | 50 | 13311956 | 14 | 18 | 13324108 | 10 | 51 |
| 13217401 | 26 | 54 | 13312103 | 14 | 10~12 | 13324108 | 12 | 51 |
| 13217500 | 26 | 53 | 13312202 | 14 | 10~12 | 13324207 | 10 | 18 |
| 13217708 | 26 | 56 | 13312301 | 14 | 10~12 | 13324306 | 28 | 3 |
| 13228200 | 44 | 33 | 13313101 | 14 | 25 | 13324504 | 28 | 5 |
| 13228309 | 44 | 29 | 13313309 | 14 | 26 | 13324603 | 28 | 8 |
| 13300702 | 6 | 6 | 13313408 | 14 | 27 | 13324702 | 28 | 10 |
| 13300801 | 6 | 11 | 13313606 | 14 | 33 | 13324801 | 28 | 12 |
| 13300900 | 2 | 10~12 | 13313705 | 14 | 29 | 13324900 | 28 | 13 |
| 13300959 | 2 | 9 | 13313804 | 14 | 37 | 13325006 | 28 | 15 |
| 13301007 | 2 | 14 | 13313903 | 14 | 40 | 13325105 | 28 | 17 |
| 13301304 | 2 | 15 | 13313952 | 14 | 39 | 13325204 | 28 | 23 |
| 13301403 | 2 | 26 | 13314109 | 14 | 44 | 13325402 | 28 | 28 |
| 13301700 | 2 | 20 | 13314356 | 14 | 46 | 13325501 | 28 | 30 |
| 13301809 | 2 | 30 | 13314406 | 16 | 51 | 13325600 | 28 | 34 |
| 13302203 | 6 | 12 | 13314505 | 16 | 58 | 13325709 | 28 | 31 |
| 13302203 | 62 | 12 | 13314703 | 16 | 56 | 13325808 | 30 | 57 |

NUMERICAL INDEX OF PARTS

| PART NO | PAGE | REF NO. | PART NO | PAGE | REF NO. | PART NO | PAGE | REF NO. |
|----------|------|---------|----------|------|---------|----------|------|---------|
| 13325907 | 30 | 58 | 13343306 | 44 | 35 | 13375506 | 54 | 68 |
| 13326004 | 30 | 59 | 13343405 | 44 | 30 | 13375506 | 56 | 68 |
| 13326103 | 30 | 60 | 13343603 | 44 | 3 | 13375605 | 52 | 61 |
| 13326202 | 6 | 43 | 13343652 | 44 | 2 | 13375605 | 54 | 61 |
| 13326202 | 30 | 61 | 13343801 | 46 | 58 | 13375605 | 56 | 61 |
| 13326301 | 30 | 48 | 13343900 | 44 | 1 | 13375704 | 52 | 60 |
| 13326350 | 30 | 47 | 13344056 | 44 | 7 | 13375704 | 54 | 60 |
| 13326400 | 30 | 49 | 13344155 | 44 | 8 | 13375704 | 56 | 60 |
| 13326509 | 30 | 51 | 13344205 | 44 | 4 | 13376009 | 52 | 23~25 |
| 13326608 | 30 | 53 | 13344502 | 44 | 13 | 13376058 | 52 | 11~13 |
| 13326707 | 30 | 63 | 13344601 | 44 | 12 | 13376900 | 54 | 63 |
| 13326806 | 14 | 16 | 13344700 | 44 | 14 | 13376900 | 56 | 63 |
| 13326905 | 28 | 37 | 13344809 | 46 | 60 | 13377007 | 52 | 64 |
| 13327002 | 28 | 40 | 13345053 | 44 | 23 | 13377007 | 54 | 64 |
| 13327101 | 28 | 43 | 13345202 | 46 | 61 | 13377007 | 56 | 64 |
| 13328000 | 32 | 4 | 13346101 | 46 | 54 | 13377106 | 54 | 84 |
| 13328109 | 32 | 3 | 13346309 | 46 | 52 | 13377106 | 56 | 84 |
| 13328158 | 32 | 1 | 13346408 | 44 | 84 | 13399209 | 32 | 8 |
| 13328208 | 32 | 5 | 13346408 | 46 | 84 | 13400601 | 6 | 28 |
| 13328307 | 32 | 25 | 13348008 | 28 | 18 | 13400650 | 6 | 27 |
| 13328406 | 32 | 7 | 13349600 | 62 | 18 | 13400700 | 6 | 37 |
| 13328505 | 32 | 16 | 13350004 | 52 | 1~3 | 13400809 | 6 | 38 |
| 13328554 | 32 | 12 | 13350103 | 52 | 1~3 | 13400908 | 2 | 32 |
| 13328604 | 32 | 17 | 13350301 | 54 | 70·71 | 13400957 | 2 | 31 |
| 13328703 | 32 | 18 | 13350301 | 56 | 70·71 | 13401005 | 2 | 36 |
| 13328802 | 32 | 21 | 13350400 | 54 | 70·71 | 13401104 | 4 | 47 |
| 13329008 | 32 | 10 | 13350400 | 56 | 70·71 | 13401203 | 2 | 34 |
| 13329107 | 32 | 11 | 13350509 | 52 | 1~3 | 13401302 | 8 | 47 |
| 13329206 | 32 | 28 | 13352307 | 56 | 74·75 | 13401351 | 6 | 46 |
| 13329404 | 32 | 23 | 13352406 | 56 | 74·75 | 13401401 | 8 | 50 |
| 13333208 | 14 | 42 | 13375001 | 54 | 67 | 13401500 | 6 | 16 |
| 13337100 | 12 | 53 | 13375001 | 56 | 67 | 13401609 | 6 | 25 |
| 13338900 | 32 | 29 | 13375050 | 54 | 55 | 13401708 | 6 | 19 |
| 13340005 | 42 | 1 | 13375050 | 56 | 55 | 13401757 | 6 | 15 |
| 13340104 | 42 | 2 | 13375100 | 54 | 59 | 13401807 | 6 | 17 |
| 13340203 | 42 | 14 | 13375100 | 56 | 59 | 13401906 | 6 | 20 |
| 13340302 | 42 | 15 | 13375209 | 54 | 82 | 13402003 | 6 | 44 |
| 13340500 | 42 | 11 | 13375209 | 56 | 82 | 13402102 | 8 | 48 |
| 13340609 | 42 | 19 | 13375308 | 52 | 66 | 13402201 | 6 | 13 |
| 13340708 | 42 | 20 | 13375308 | 54 | 66 | 13402300 | 6 | 40 |
| 13341359 | 42 | 5 | 13375308 | 56 | 66 | 13402409 | 6 | 42 |
| 13341607 | 42 | 18 | 13375407 | 52 | 65 | 13402706 | 2 | 38 |
| 13343009 | 44 | 25 | 13375407 | 54 | 65 | 13402805 | 6 | 41 |
| 13343108 | 44 | 28 | 13375407 | 56 | 65 | 13402904 | 2 | 46 |
| 13343207 | 44 | 34 | 13375506 | 52 | 68 | 13403407 | 6 | 32 |

NUMERICAL INDEX OF PARTS

| PART NO | PAGE | REF NO. | PART NO | PAGE | REF NO. | PART NO | PAGE | REF NO. |
|----------|------|---------|----------|------|---------|----------|------|---------|
| 13403506 | 2 | 40 | 13411905 | 20 | 53 | 13420104 | 36 | 11 |
| 13403605 | 2 | 44 | 13412002 | 20 | 50~52 | 13420203 | 36 | 15 |
| 13406608 | 10 | 2 | 13412101 | 20 | 50~52 | 13420302 | 36 | 17 |
| 13406707 | 10 | 30 | 13412200 | 20 | 50~52 | 13420401 | 36 | 1 |
| 13406905 | 10 | 28 | 13412705 | 24 | 38 | 13420500 | 36 | 5 |
| 13407101 | 10 | 29 | 13413208 | 24 | 39 | 13420609 | 36 | 6 |
| 13407200 | 12 | 56 | 13413307 | 20 | 86 | 13420708 | 36 | 14 |
| 13407259 | 12 | 50 | 13413406 | 24 | 3 | 13420807 | 36 | 3 |
| 13407457 | 10 | 39 | 13413604 | 24 | 6 | 13420906 | 36 | 18 |
| 13407507 | 10 | 45 | 13413703 | 20 | 81 | 13421003 | 36 | 10 |
| 13407606 | 12 | 70 | 13413802 | 20 | 82 | 13421201 | 36 | 2 |
| 13407804 | 12 | 61 | 13413901 | 20 | 79 | 13421300 | 36 | 12 |
| 13407903 | 12 | 62 | 13413950 | 20 | 78 | 13421409 | 36 | 19 |
| 13408307 | 10 | 26 | 13414008 | 20 | 80 | 13422001 | 38 | 1 |
| 13408406 | 10 | 41 | 13414107 | 20 | 84 | 13422605 | 40 | 48 |
| 13408505 | 10 | 43 | 13414206 | 24 | 20 | 13422704 | 38 | 16 |
| 13408604 | 12 | 63 | 13414305 | 18 | 36 | 13422803 | 38 | 18 |
| 13408703 | 12 | 60 | 13414404 | 18 | 43 | 13422902 | 38 | 23 |
| 13408802 | 20 | 66 | 13414503 | 20 | 56 | 13423009 | 38 | 21 |
| 13409107 | 20 | 61 | 13414701 | 26 | 47 | 13423108 | 38 | 24 |
| 13409107 | 24 | 11 | 13415104 | 24 | 46 | 13423306 | 38 | 39 |
| 13409206 | 20 | 60 | 13415500 | 20 | 63 | 13423405 | 38 | 32 |
| 13409206 | 24 | 10 | 13415500 | 24 | 13 | 13423504 | 38 | 36 |
| 13409305 | 26 | 48 | 13415708 | 18 | 26 | 13423603 | 38 | 35 |
| 13409602 | 24 | 25 | 13415807 | 18 | 28 | 13423702 | 38 | 40 |
| 13409701 | 24 | 26 | 13415906 | 18 | 29 | 13423801 | 38 | 43 |
| 13409800 | 24 | 27 | 13416052 | 24 | 29 | 13423900 | 40 | 47 |
| 13409909 | 24 | 23 | 13416102 | 24 | 31 | 13424106 | 12 | 58 |
| 13410006 | 18 | 1 | 13416201 | 24 | 32 | 13424205 | 12 | 57 |
| 13410105 | 18 | 8 | 13416458 | 24 | 35 | 13424304 | 40 | 49 |
| 13410204 | 18 | 13 | 13416508 | 24 | 37 | 13424403 | 38 | 13 |
| 13410600 | 18 | 22~24 | 13416706 | 24 | 41 | 13424452 | 38 | 12 |
| 13410709 | 18 | 22~24 | 13416854 | 24 | 40 | 13424502 | 38 | 15 |
| 13410808 | 18 | 22~24 | 13417100 | 26 | 55 | 13424601 | 38 | 30 |
| 13411004 | 18 | 27 | 13417209 | 34 | 1 | 13424700 | 38 | 42 |
| 13411152 | 20 | 76 | 13417308 | 34 | 3 | 13424809 | 38 | 46 |
| 13411202 | 24 | 16 | 13417407 | 34 | 4 | 13425202 | 38 | 27 |
| 13411301 | 20 | 72 | 13417506 | 34 | 10 | 13426002 | 44 | 27 |
| 13411400 | 20 | 71 | 13417704 | 34 | 7 | 13426051 | 44 | 24 |
| 13411509 | 18 | 34 | 13417803 | 34 | 14 | 13426101 | 44 | 31 |
| 13411608 | 18 | 46 | 13417902 | 34 | 8 | 13426200 | 44 | 32 |
| 13411707 | 20 | 59 | 13418009 | 34 | 21 | 13426309 | 46 | 47 |
| 13411707 | 24 | 9 | 13418207 | 34 | 17 | 13426408 | 46 | 49 |
| 13411806 | 20 | 64 | 13418306 | 34 | 2 | 13426606 | 46 | 55 |
| 13411806 | 24 | 14 | 13420005 | 36 | 8 | 13426754 | 46 | 79 |

NUMERICAL INDEX OF PARTS

| PART NO | PAGE | REF NO. | PART NO | PAGE | REF NO. | PART NO | PAGE | REF NO. |
|----------|------|---------|----------|------|---------|-------------|------|---------|
| 13426903 | 46 | 73 | 23612609 | 28 | 9 | 40070224 | 56 | 80 |
| 13427257 | 44 | 15 | 23629306 | 44 | 68 | 40070226 | 58 | 85 |
| 13427307 | 44 | 22 | 23629306 | 46 | 68 | 40070227 | 58 | 86 |
| 13427455 | 46 | 86 | 23630007 | 6 | 31 | 40070229 | 56 | 77 |
| 13427604 | 46 | 57 | 23630007 | 44 | 89 | 40070230 | 58 | 93 |
| 13427703 | 46 | 83 | 23630007 | 46 | 89 | 40070231 | 58 | 88 |
| 13427752 | 46 | 82 | 23630007 | 48 | 89 | 40070559 | 14 | 28 |
| 13427802 | 46 | 76 | 26037903 | 62 | 6 | 40070573 | 14 | 24 |
| 13427851 | 46 | 75 | 30391601 | 28 | 24 | 40072505 | 62 | 16·20 |
| 13428008 | 46 | 88 | 40004749 | 44 | 41 | 40072506 | 50 | 1 |
| 13428255 | 46 | 81 | 40013913 | 62 | 1 | 40082196 | 6 | 34 |
| 13428305 | 46 | 77 | 40018259 | 14 | 31 | 40082974 | 56 | 76 |
| 13429055 | 60 | 1 | 40019163 | 44 | 9 | 40082975 | 56 | 79 |
| 13429105 | 60 | 3 | 40022406 | 4 | 58 | 40086675 | 50 | 11 |
| 13429204 | 60 | 4 | 40022804 | 38 | 41 | 40087053 | 34 | 27 |
| 13429303 | 60 | 5 | 40023349 | 4 | 54 | 40087054 | 34 | 28 |
| 13429709 | 62 | 17 | 40028110 | 44 | 17 | 40087055 | 34 | 30 |
| 13430103 | 56 | 54 | 40033340 | 2 | 18 | 40087067 | 40 | 51 |
| 13430707 | 54 | 30 | 40033341 | 2 | 19 | 40087068 | 34 | 29 |
| 13431200 | 52 | 9 | 40033518 | 2 | 17 | 40088112 | 34 | 23 |
| 13432109 | 54 | 31 | 40040154 | 24 | 43 | 40088113 | 12 | 59 |
| 13432901 | 56 | 53 | 40040155 | 26 | 51 | B1248280000 | 18 | 42 |
| 13433503 | 52 | 10 | 40040208 | 24 | 44 | B1426180A00 | 18 | 3~6 |
| 13438007 | 2 | 1 | 40040513 | 54 | 51·52 | B1426180B00 | 18 | 3~6 |
| 13438106 | 2 | 2 | 40040514 | 52 | 4~6 | B1426180C00 | 18 | 3~6 |
| 13765607 | 46 | 78 | 40042362 | 42 | 21 | B1426180D00 | 18 | 3~6 |
| 22901805 | 2 | 5~8 | 40042363 | 42 | 13 | B2008372000 | 42 | 16 |
| 22902506 | 2 | 10~12 | 40042364 | 42 | 10 | B2546232000 | 18 | 30 |
| 22924708 | 6 | 10 | 40042365 | 42 | 24 | B3121804000 | 42 | 12 |
| 22930309 | 50 | 13 | 40042366 | 42 | 23 | B3215470000 | 20 | 70 |
| 22930408 | 50 | 7 | 40053156 | 8 | 52 | B9101490000 | 62 | 15 |
| 22930705 | 50 | 29 | 40058033 | 54 | 51·52 | B9213850000 | 28 | 19 |
| 22930804 | 50 | 17 | 40058587 | 52 | 4~6 | B9214850000 | 28 | 20 |
| 22930903 | 50 | 16 | 40058588 | 52 | 23~25 | BP30000010R | 44 | 72 |
| 22931000 | 50 | 15 | 40058589 | 52 | 11~13 | BP30000010R | 46 | 72 |
| 22931109 | 50 | 14 | 40058706 | 52 | 4~6 | BT0600402EA | 60 | 9 |
| 22931307 | 50 | 8 | 40058707 | 54 | 23~25 | CM300200001 | 2 | 5~8 |
| 22931406 | 50 | 6 | 40058708 | 52 | 11~13 | CM3002001B1 | 6 | 5 |
| 22932800 | 62 | 2 | 40064969 | 34 | 26 | CM600100101 | 4 | 56 |
| 22933006 | 62 | 8 | 40064970 | 34 | 16 | CM600100201 | 62 | 21 |
| 22933105 | 62 | 3 | 40064971 | 34 | 12 | CQ202000000 | 20 | 49 |
| 22933204 | 62 | 26 | 40065784 | 42 | 17 | CQ300000001 | 12 | 65 |
| 22945505 | 30 | 52 | 40065785 | 42 | 6 | CQ300000001 | 20 | 58 |
| 22945802 | 30 | 50 | 40066136 | 42 | 8 | CQ300000001 | 24 | 5 |
| 23537202 | 16 | 50 | 40066645 | 62 | 10 | CQ303000000 | 18 | 25 |

NUMERICAL INDEX OF PARTS

| PART NO | PAGE | REF NO. | PART NO | PAGE | REF NO. | PART NO | PAGE | REF NO. |
|-------------|------|---------|-------------|------|---------|-------------|------|---------|
| CQ303000000 | 32 | 13 | RC1900002KP | 46 | 74 | SM1850600SP | 54 | 87 |
| CQ303000000 | 60 | 10 | RC2251213KP | 18 | 7 | SM1850600SP | 56 | 87 |
| CS0800881TP | 16 | 52 | RC4381514KP | 12 | 73 | SM1850600SP | 58 | 87 |
| CS1000881TP | 26 | 49 | RC4881514KP | 12 | 72 | SM4030455SN | 2 | 22 |
| CS1000881TP | 28 | 6 | RE0300000K0 | 2 | 41 | SM4030455SP | 14 | 32 |
| CS1000881TP | 32 | 19 | RE0300000K0 | 16 | 77 | SM4030455SP | 28 | 33 |
| CS1000881TP | 38 | 9 | RE0300000K0 | 24 | 1 | SM4030455SP | 38 | 29 |
| E3025721000 | 20 | 62 | RE0500000K0 | 18 | 74 | SM4030655SP | 6 | 33 |
| E3025721000 | 24 | 12 | RE0500000K0 | 20 | 74 | SM4030655SP | 14 | 17 |
| HX00150000C | 62 | 27 | RE0500000K0 | 34 | 9 | SM4030655SP | 28 | 45 |
| MML018900CA | 62 | 14 | RO037180100 | 6 | 24 | SM4030855SN | 28 | 26 |
| MUY128S1000 | 52 | 72 | RO037180100 | 34 | 5 | SM4040655SP | 2 | 29 |
| MUY128S1000 | 54 | 72 | RO055200100 | 20 | 73 | SM4040655SP | 6 | 21 |
| MUY128S1000 | 56 | 72 | RO068190100 | 20 | 77 | SM4040655SP | 26 | 60 |
| MUY128S1003 | 62 | 9 | RO068190100 | 24 | 45 | SM4040655SP | 28 | 62 |
| NM6030001SD | 58 | 92 | RO118240100 | 38 | 26 | SM4040655SP | 30 | 62 |
| NM6040001SP | 2 | 51 | RO195240100 | 6 | 9 | SM4040655SP | 34 | 22 |
| NM6040001SP | 4 | 51 | SB115002300 | 12 | 49 | SM4040655SP | 42 | 4 |
| NM6040001SP | 6 | 30 | SB120001900 | 10 | 19 | SM4040655SP | 44 | 90 |
| NM6040001SP | 18 | 90 | SB30800110A | 14 | 5~8 | SM4040655SP | 46 | 90 |
| NM6040001SP | 20 | 90 | SB30800110B | 14 | 5~8 | SM4040655SP | 48 | 90 |
| NM6040001SP | 44 | 19 | SB30800110C | 14 | 5~8 | SM4040655SP | 60 | 8 |
| NM6040002SE | 50 | 25 | SB30800110D | 14 | 5~8 | SM4040655SP | 62 | 23 |
| NM6050001SC | 20 | 92 | SB32600020A | 38 | 3~7 | SM4040855SP | 6 | 36 |
| NM6050001SE | 50 | 20 | SB32600020B | 38 | 3~7 | SM4041001SC | 50 | 21 |
| NM6050001SP | 18 | 33 | SB32600020C | 38 | 3~7 | SM4041055SP | 2 | 50 |
| NM6050001SP | 30 | 54 | SB32600020D | 38 | 3~7 | SM4041055SP | 4 | 50 |
| NM6050001SP | 32 | 27 | SB32600020E | 38 | 3~7 | SM4041055SP | 6 | 51 |
| NM6050001SP | 38 | 20 | SD0550906TP | 12 | 52 | SM4041055SP | 8 | 51 |
| NM6050001SP | 46 | 44 | SD0640246SP | 2 | 24 | SM4041055SP | 28 | 14 |
| NM6050003SC | 22 | 93 | SD0700206TP | 14 | 45 | SM4041055SP | 42 | 25 |
| NM6060001CP | 16 | 69 | SD0700586TP | 16 | 65 | SM4041055SP | 46 | 62 |
| NM6060001SE | 50 | 34 | SD0800626TH | 24 | 8 | SM4041201SC | 50 | 23 |
| NM6080003SC | 62 | 22 | SD0801636TH | 20 | 55 | SM4041655SP | 42 | 7 |
| NM6160511SE | 50 | 28 | SD0801866TH | 24 | 7 | SM4042001SC | 50 | 24 |
| PH0300252C0 | 6 | 22 | SK3382001SE | 50 | 32 | SM4051055SP | 12 | 55 |
| PS0150042K0 | 8 | 49 | SK3412001SE | 62 | 19 | SM4051255SP | 4 | 57 |
| PS0150042K0 | 38 | 17 | SL4040805SC | 2 | 49 | SM4051255SP | 24 | 52 |
| PS0150065KP | 56 | 78 | SL4040805SC | 4 | 49 | SM4051255SP | 26 | 52 |
| PS0150082KH | 28 | 21 | SL4041081SC | 60 | 2 | SM4051405SE | 50 | 19 |
| PS0200142K0 | 34 | 6 | SM0081001SD | 46 | 51 | SM4051655SP | 4 | 55 |
| PS0300122KH | 12 | 64 | SM1040800SP | 2 | 37 | SM4061201SE | 50 | 33 |
| PS0400082KP | 10 | 36 | SM1040800SP | 28 | 46 | SM4850455SP | 24 | 34 |
| PS0500142KP | 16 | 60 | SM1040860SP | 6 | 45 | SM4850455SP | 28 | 42 |
| PS0500202KP | 24 | 2 | SM1850600SP | 52 | 87 | SM4850455SP | 34 | 19 |

NUMERICAL INDEX OF PARTS

| PART NO | PAGE | REF NO. | PART NO | PAGE | REF NO. | PART NO | PAGE | REF NO. |
|-------------|------|---------|-------------|------|---------|-------------|------|---------|
| SM5050855SN | 4 | 59 | SM6850400SP | 58 | 89 | SM8060612TP | 6 | 4 |
| SM6030500SN | 14 | 36 | SM8030312TP | 28 | 25 | SM8060612TP | 10 | 40 |
| SM6030600SP | 4 | 48 | SM8030350TP | 52 | 73 | SM8060612TP | 18 | 2 |
| SM6030600SP | 34 | 13 | SM8030350TP | 54 | 73 | SM8060612TP | 32 | 15 |
| SM6030650TP | 24 | 33 | SM8030350TP | 56 | 73 | SM8060812TP | 10 | 38 |
| SM6040600SP | 44 | 37 | SM8030412TP | 52 | 83 | SM8060812TP | 44 | 6 |
| SM6040602TP | 34 | 15 | SM8030412TP | 54 | 83 | SM8060842TP | 10 | 47 |
| SM6040750TP | 6 | 35 | SM8030412TP | 56 | 83 | SM8060842TP | 12 | 47 |
| SM6040800SP | 24 | 21 | SM8031002TP | 58 | 91 | SM8061212TP | 10 | 31 |
| SM6040800SP | 30 | 56 | SM8040360TP | 2 | 39 | SM8080812TP | 10 | 24 |
| SM6040800SP | 36 | 4 | SM8040360TP | 6 | 23 | SM8550952TP | 12 | 69 |
| SM6040800SP | 52 | 81 | SM8040412TP | 14 | 35 | SM9061050TP | 32 | 14 |
| SM6040800SP | 54 | 81 | SM8040412TP | 20 | 69 | SQ0000451MZ | 44 | 38 |
| SM6040800SP | 56 | 81 | SM8040412TP | 24 | 28 | SQ0000452MZ | 46 | 66 |
| SM6040860TP | 6 | 39 | SM8040412TP | 32 | 9 | SQ0000453MZ | 46 | 63 |
| SM6041000SP | 14 | 38 | SM8040412TP | 34 | 11 | SQ0000454MZ | 46 | 64 |
| SM6041000SP | 20 | 83 | SM8040412TP | 36 | 20 | SQ2050391SD | 46 | 87 |
| SM6041000SP | 32 | 24 | SM8040412TP | 38 | 50 | SQ2050452MZ | 44 | 42 |
| SM6041000SP | 34 | 20 | SM8040412TP | 40 | 50 | SQ2060442SD | 46 | 85 |
| SM6041000SP | 38 | 38 | SM8040512TP | 24 | 36 | SQ2060443SD | 44 | 67 |
| SM6041002TP | 38 | 44 | SM8040602TP | 20 | 68 | SQ2060443SD | 46 | 67 |
| SM6041200SP | 14 | 43 | SM8041012TP | 6 | 29 | SQ2060451MZ | 44 | 40 |
| SM6041200SP | 32 | 22 | SM8050412TP | 12 | 71 | ST4040851SN | 28 | 22 |
| SM6041202TP | 16 | 64 | SM8050412TP | 16 | 53 | TA0290301M0 | 60 | 7 |
| SM6042000SP | 20 | 89 | SM8050412TP | 26 | 50 | TA0400301M0 | 38 | 8 |
| SM6043000SP | 44 | 36 | SM8050412TP | 28 | 7 | TA0500601M0 | 20 | 57 |
| SM6051000SP | 14 | 15 | SM8050412TP | 32 | 20 | TA0500601M0 | 24 | 4 |
| SM6051002TP | 28 | 1 | SM8050412TP | 34 | 24 | TA0600401R0 | 38 | 31 |
| SM6051202TP | 16 | 57 | SM8050412TP | 38 | 10 | TA0850604R0 | 6 | 1 |
| SM6051400SP | 2 | 45 | SM8050412TP | 44 | 26 | TA1050504R0 | 2 | 10~12 |
| SM6051400SP | 18 | 32 | SM8050512TP | 10 | 44 | TA1250406R0 | 2 | 5~8 |
| SM6051400SP | 24 | 42 | SM8050512TP | 18 | 88 | TA1701002R0 | 2 | 5~8 |
| SM6051402TP | 28 | 11 | SM8050512TP | 20 | 88 | TA1900502R0 | 4 | 53 |
| SM6051602TP | 46 | 46 | SM8050512TP | 36 | 13 | TA2050406R0 | 2 | 4 |
| SM6060800SP | 2 | 25 | SM8050612TP | 38 | 2 | TA2351004R0 | 6 | 3 |
| SM6060800SP | 16 | 78 | SM8050642TP | 38 | 11 | WP0280500SC | 58 | 90 |
| SM6061002TP | 16 | 48 | SM8050812TP | 20 | 85 | WP0280501SC | 28 | 41 |
| SM6061200SP | 10 | 25 | SM8050812TP | 38 | 25 | WP0280501SC | 34 | 18 |
| SM6061202TP | 16 | 70 | SM8060412TP | 20 | 65 | WP0320500SC | 38 | 28 |
| SM6061402TP | 10 | 15 | SM8060412TP | 24 | 15 | WP0320501SC | 28 | 44 |
| SM6061402TP | 32 | 6 | SM8060552TP | 10 | 48 | WP0430800SC | 34 | 25 |
| SM6061402TP | 38 | 14 | SM8060552TP | 12 | 48 | WP0450826SC | 24 | 18 |
| SM6061610SC | 50 | 18 | SM8060552TP | 18 | 87 | WP0450826SC | 30 | 55 |
| SM6062550TP | 16 | 68 | SM8060552TP | 20 | 87 | WP0450826SC | 62 | 28 |
| SM6081802TP | 46 | 48 | SM8060552TP | 24 | 30 | WP0450846SP | 24 | 22 |

NUMERICAL INDEX OF PARTS

| PART NO | PAGE | REF NO. |
|-------------|------|---------|
| WP0460556SD | 16 | 75 |
| WP0460556SD | 24 | 19 |
| WP0522016SH | 28 | 4 |
| WP0550800SP | 2 | 42 |
| WP0550800SP | 32 | 26 |
| WP0550800SP | 46 | 45 |
| WP0550836SC | 4 | 60 |
| WP0621016SD | 26 | 59 |
| WP0702026SP | 14 | 22 |
| WP0851216SC | 62 | 24 |
| WP1022016SH | 32 | 30 |
| WP1612616SE | 50 | 26 |
| WS0510002KN | 30 | 64 |
| WS0510002KN | 50 | 3 |
| WS0510002KP | 12 | 54 |
| WS0510002KP | 28 | 2 |
| WS0820002KR | 62 | 25 |
| WS1643202KR | 50 | 27 |
| WZ0641510KP | 2 | 21 |
| WZ1052010KP | 14 | 23 |