

MODEL : MO-6100D

List No : 1353-02

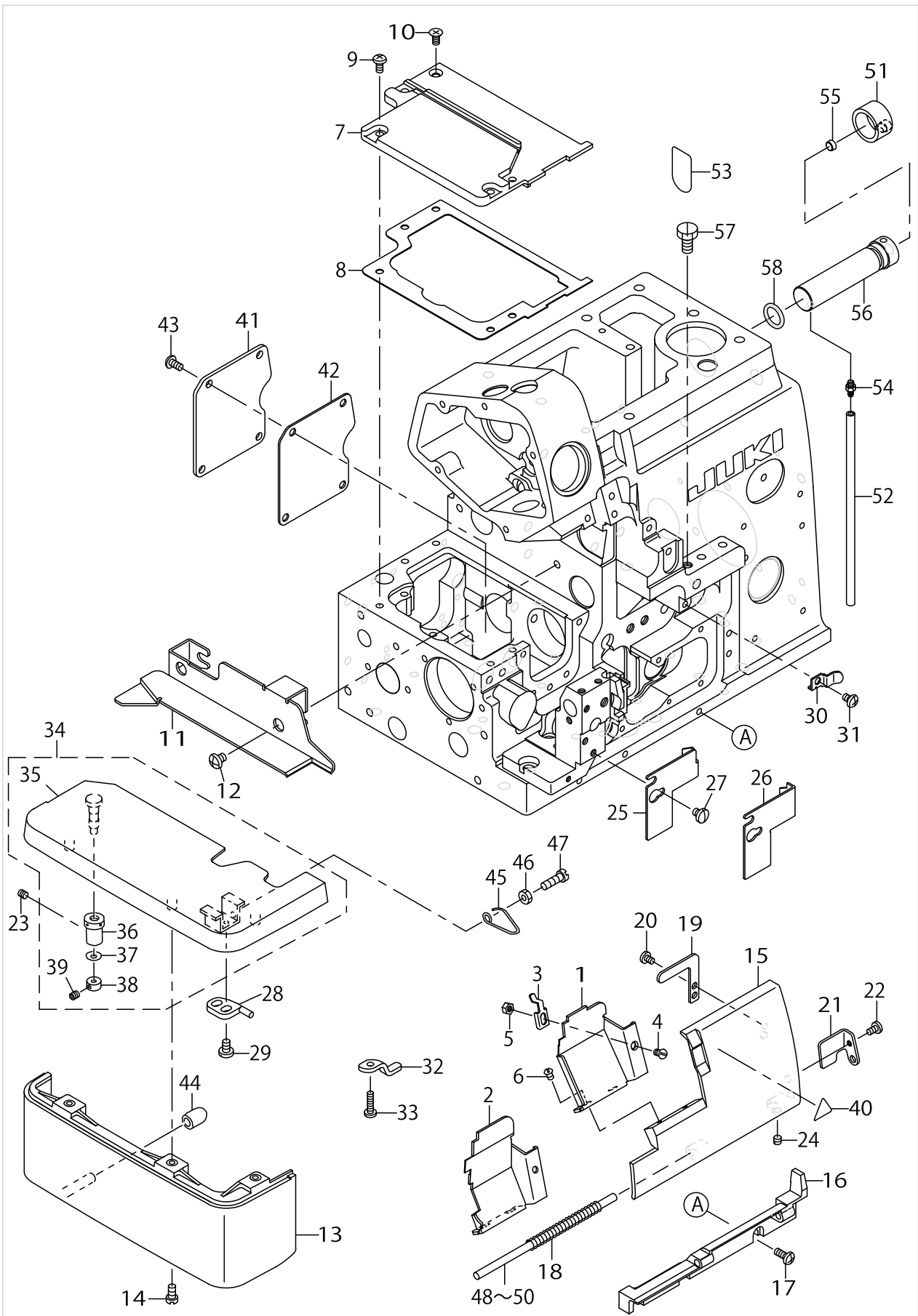
PARTS LIST

Published:05/12/2017

CONTENTS

MISCELLANEOUS COVER COMPONENTS (1).....	1
MISCELLANEOUS COVER COMPONENTS (2).....	5
CRANKSHAFT COMPONENTS	9
NEEDLE DRIVING SHAFT COMPONENTS.....	13
FEED MECHANISM COMPONENTS (1).....	17
FEED MECHANISM COMPONENTS (2).....	21
UPPER & LOWER LOOPER COMPONENTS.....	25
CHAIN LOOPER COMPONENTS (FOR MO-6116D).....	29
PRESSER FOOT COMPONENTS (1).....	33
PRESSER FOOT COMPONENTS (2).....	37
THREAD TENSION COMPONENTS	41
LOWER KNIFE COMPONENTS.....	45
UPPER KNIFE COMPONENTS	49
LUBRICATION MECHANISM COMPONENTS.....	51
SEMI-SUNKEN TYPE TABLE COMPONENTS.....	55
FULLY-SUNKEN TYPE TABLE COMPONENTS.....	57
STAND COMPONENTS (ZAET).....	59
THREAD STAND COMPONENTS (FOR MO-6104D,MO-6114D).....	61
THREAD STAND COMPONENTS (MO-6104D,MO-6114D SPECIAL ORDER PARTS)	63
THREAD STAND COMPONENTS (FOR MO-6116D).....	65
THREAD STAND COMPONENTS (MO-6116D SPECIAL ORDER PARTS).....	67
SPECIAL ORDER PARTS COMPONENTS.....	69
ACCESSORIES PARTS COMPONENTS	73
LIST FOR INFORMATION OF CHANGE.....	75
HOW TO MAKE USE OF THIS PARTS LIST	76

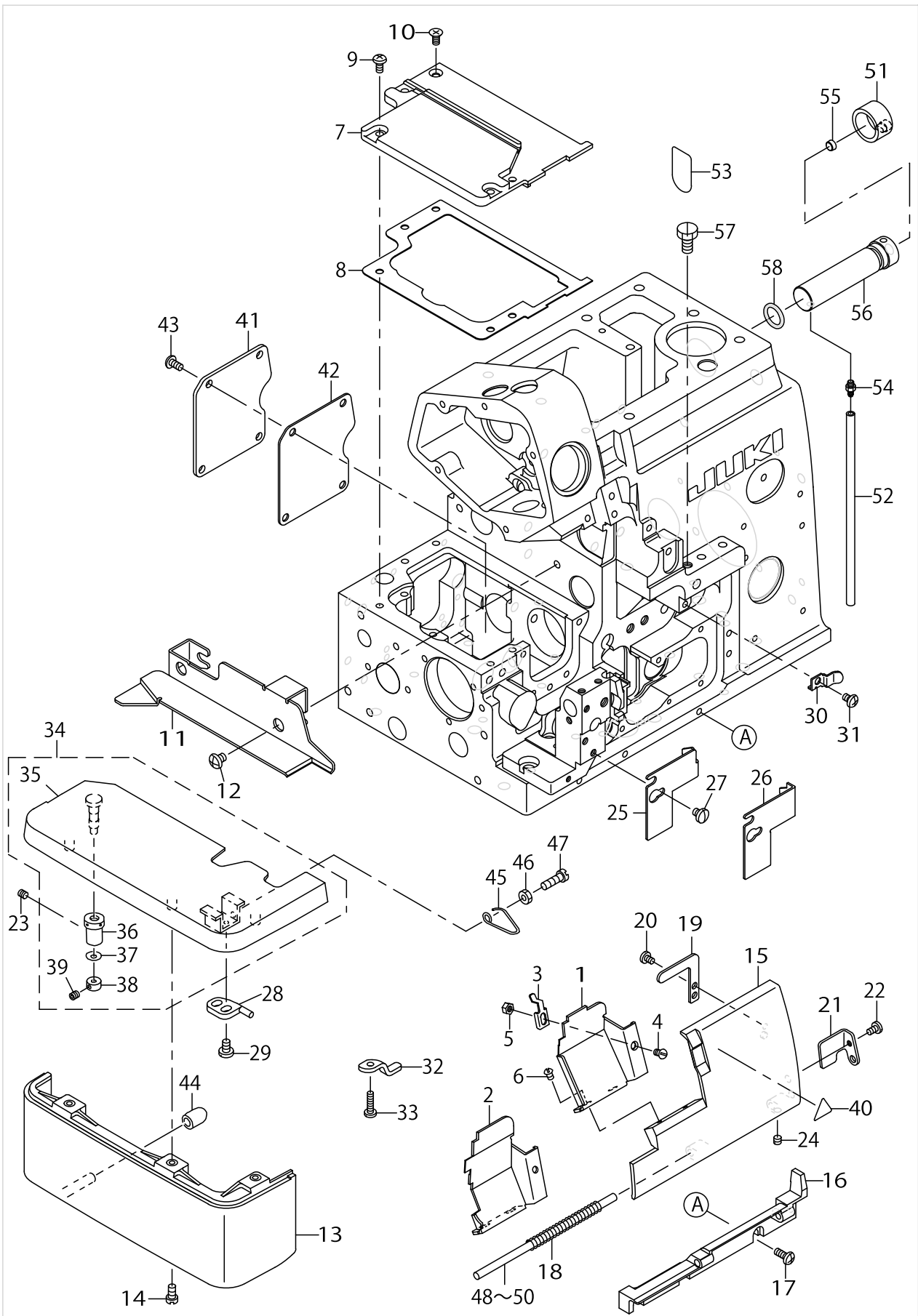
MISCELLANEOUS COVER COMPONENTS (1)



MISCELLANEOUS COVER COMPONENTS (1)

No.	Supply Code	Parts No.	Replacement	Parts name	Remarks	Choice	Step	Level	Cons	Qty	Rep. QTY
1		13104005		CLOTH WASTE COVER	FOR MO-6-104D,MO-6114D					1	
2		13104203		CLOTH WASTE COVER	FOR MO-6116D					1	
3		13102405		CROTH WASTE COVER STOPPER						1	
4		SS2090520SL		SCREW 9/64-40 L=5						1	
5		NS6090310SN		NUT 9/64-40						1	
6		SS3090610SP		SCREW 9/64-40 L=6						2	
7		40004516		FEED MECHANISM COVER						1	
8		13200803		FEED MECHANISM COVER GASKET						1	
9		SM4040855SP		SCREW						4	
10		SM1040801SC		SCREW M4X0.7 L=8						1	
11	R	12342101	13102306	CLOTH BASE SIDE COVER						1	1.00
12		SS4120615SP		SCREW 3/16-28 L=6						2	
13		13103809		CLOTH BASE COVER						1	
14		SS4091015SP		SCREW 9/64-40 L=10						2	
15		13100904		LOOPER COVER						1	
16		13100805		LOOPER COVER BRACKET						1	
17		SM4041055SP		SCREW M4 L=10						3	
18		13101209		LOOPER COVER SPRING						1	
19		13101407		LOOPER COVER PRESSER PLATE						1	
20		SS7090530SP		SCREW 9/64-40 L=4.5						1	
21		13101001		LOOPER COVER GUIDE PLATE						1	
22		SS7090610SP		SCREW 9/64-40 L=6						1	
23		SS8110410TP		SCREW 11/64-40 L=3.5						1	
24		SS8110410TP		SCREW 11/64-40 L=3.5						1	
25		13101506		CLOTH WASTE COVER LEFT	FOR MO-6-104D,MO-6114D					1	
26		13101605		CLOTH WASTE COVER LEFT	FOR MO-6116D					1	
27		SS7110510SP		SCREW 11/64-40 L=5						2	
28	R	12103305	13101704	CLOTH BASE SWITCH-TYPE STOPPER						1	1.00
29		SS7110710SP		SCREW 11/64-40 L=7						2	
30		13101308		LOOPER COVER PRESSER SPRING						1	
31		SM4040655SP		SCREW M4 L=6						1	
32		13101803		CROTH BASE SUPPORT PLATE						1	
33		SS7091410SP		SCREW 9/64-40 L=13.5						1	
34		13103650		CLOTHBASE COMPL.						1	
35	R	12102752	13103650	CLOTH BASE ASM.				*		1	1.00
36		11501301		ECCENTRIC BUSHING				*		1	
37		WZ0420350KP		DISC SPRING				*		1	
38	R	CS0400671SD	13172903	THRUST HOLDER				*		1	1.00
39		SM8040302TP		SETSCREW				*		1	
40		CM300200001		ATTENTION SEAL						1	
41		40004519		ADJUSTING HOLE COVER						1	
42		40004520		ADJUSTING HOLE COVER GASKET						1	
43		SM4040855SP		SCREW						4	
44		13104302		CLOTH BASE COVER RUBBER PLUG						1	

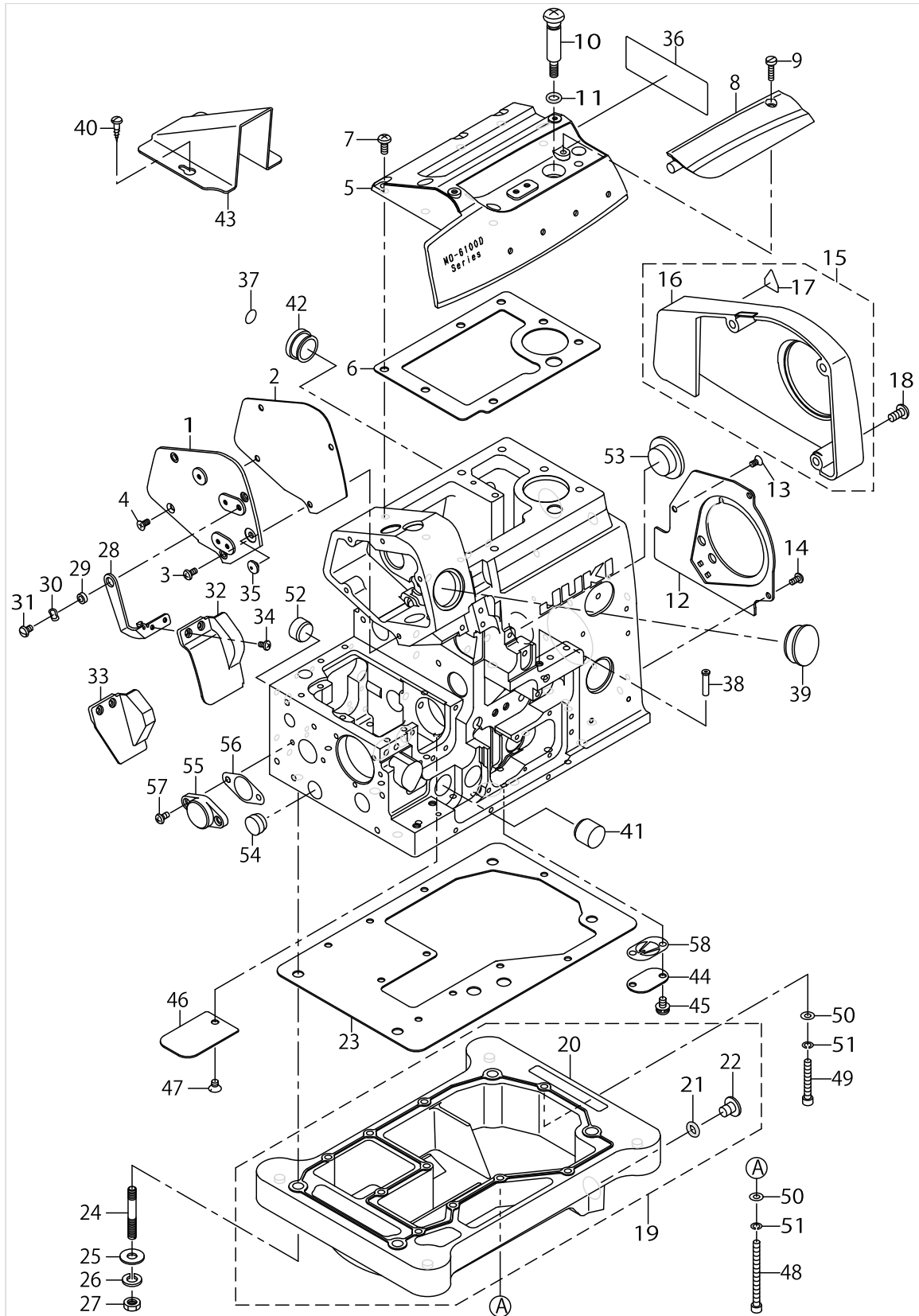
MISCELLANEOUS COVER COMPONENTS (1)



MISCELLANEOUS COVER COMPONENTS (1)

No.	Supply Code	Parts No.	Replacement	Parts name	Remarks	Choice	Step	Level	Cons	Qty	Rep. QTY
45		13102207		CLOTH BASE SWIT- CH-TYPE SPRING						1	
46		NS6110420SP		NUT 11/64-40						1	
47		SS6111440SP		SCREW 11/64-40 L=14.0						1	
48		13240007		LOOPER COVER HINGE SHAFT A	SELECTIVE PARTS					1	
49		13240106		LOOPER COVER HINGE SHAFT B	SELECTIVE PARTS					1	
50		13240205		LOOPER COVER HINGE SHAFT C	SELECTIVE PARTS					1	
51		40004529		AIR-DISCHARGING CAP						1	
52		23630007		TUBE						.14	
53		23640006		SHEET						1	
54		SQ1110401MZ		CONNECTING SCREW						1	
55		TA0570301M0		PLUG D=5.7X6.1 L=3						1	
56		40004528		AIR-DISCHARGING						1	
57		SS9151210TP		SCREW 15/64-28 L=11.8						1	
58		RO118240100		O-RING						1	

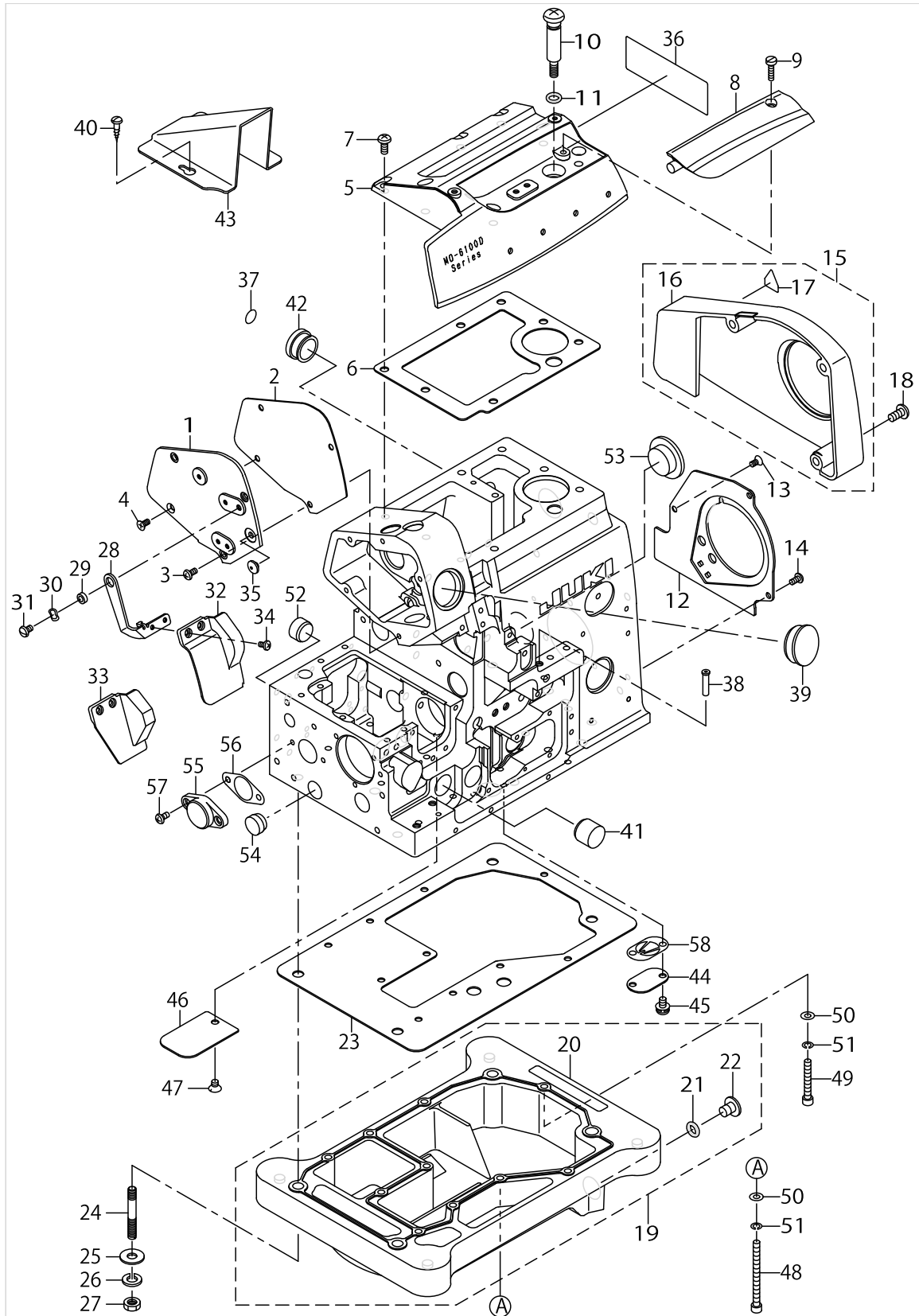
MISCELLANEOUS COVER COMPONENTS (2)



MISCELLANEOUS COVER COMPONENTS (2)

No.	Supply Code	Parts No.	Replacement	Parts name	Remarks	Choice	Step	Level	Cons	Qty	Rep. QTY
1		13200209		SIDE COVER						1	
2		13200308		SIDE COVER GASKET						1	
3		SM4040855SP		SCREW						3	
4		SM1040801SC		SCREW M4X0.7 L=8						1	
5	D	40004511		UPPER COVER						1	
6		40004514		UPPER COVER GASKET						1	
7		SM4061255SP		SCREW M6 L=12						7	
8		40004513		UPPER COVER WINDOW						1	
9		SS6111610SP		SCREW 11/64-40L=16						1	
10		13104500		OIL DRAIN SCREW						1	
11		13170204		RUBBER RING						1	
12		40004517		COOLING FAN PLATE						1	
13		SM1040801SC		SCREW M4X0.7 L=8						1	
14		SM4040855SP		SCREW						2	
15		13201454		BELT COVER ASM.						1	
16	R	13201405	13201454	BELT COVER				*		1	1.00
17		CM3002000A1		CAUTION LABEL(16)				*		1	
18		SS4151215SP		SCREW 15/64-28L=12						3	
19		40004525		OIL RESERVOIR ASM.						1	
20		40004526		OIL RESERVOIR				*		1	
21		13170105		RUBBER RING				*		1	
22	R	13171004	SM0081001SD	DRAIN SCREW				*		1	1.00
23		40004527		OIL RESERVOIR GASKET						1	
24		13103908		SCREW STUD						4	
25		WP0751576SD		WASHER 7.5X19X1.5						4	
26		WS0822010KP		SPRING WASHER 8.2X15X2						4	
27		NS6680410SP		NUT 9/32-28						4	
28		13201108		SAFETY PLATE BRACKET						1	
29		13104807		SAFETY PLATE BRACKET COLLAR						1	
30		WZ0850302K0		WAVED WASHER 8.5X12.5X0.3						1	
31		SS5110710SP		SCREW 11/64-40 L=7						1	
32		13201306		SAFETY PLATE	FOR MO-6116D					1	
33		13201207		SAFETY PLATE	FOR MO-6-104D,MO-6114D					1	
34		SS7090611SL		SCREW 9/64-40 L=6.1						2	
35		13204003		SAFETY PLATE BUSH						1	
36		CM3002001B1		SAFETY LABEL 12						1	
37		22901805		GROUND MARK						1	
38		13102900		THREAD GUIDE LARGE						2	
39		10753309		WINDOW PLATE RUBBER PLUG						1	
40		SK3412001SE		WOOD SCREW D=4.1 L=20						2	
41		TA1871602R0		RUBBER PLUG	FOR MO-6-104D,MO-6114D					1	
42		TA2050805R0		RUBBER PLUG						1	
43		13160700		BELT COVER (B)						1	
44		40004509		UPPER LOOPER COVER						1	
45		SS4120615SP		SCREW 3/16-28 L=6						2	

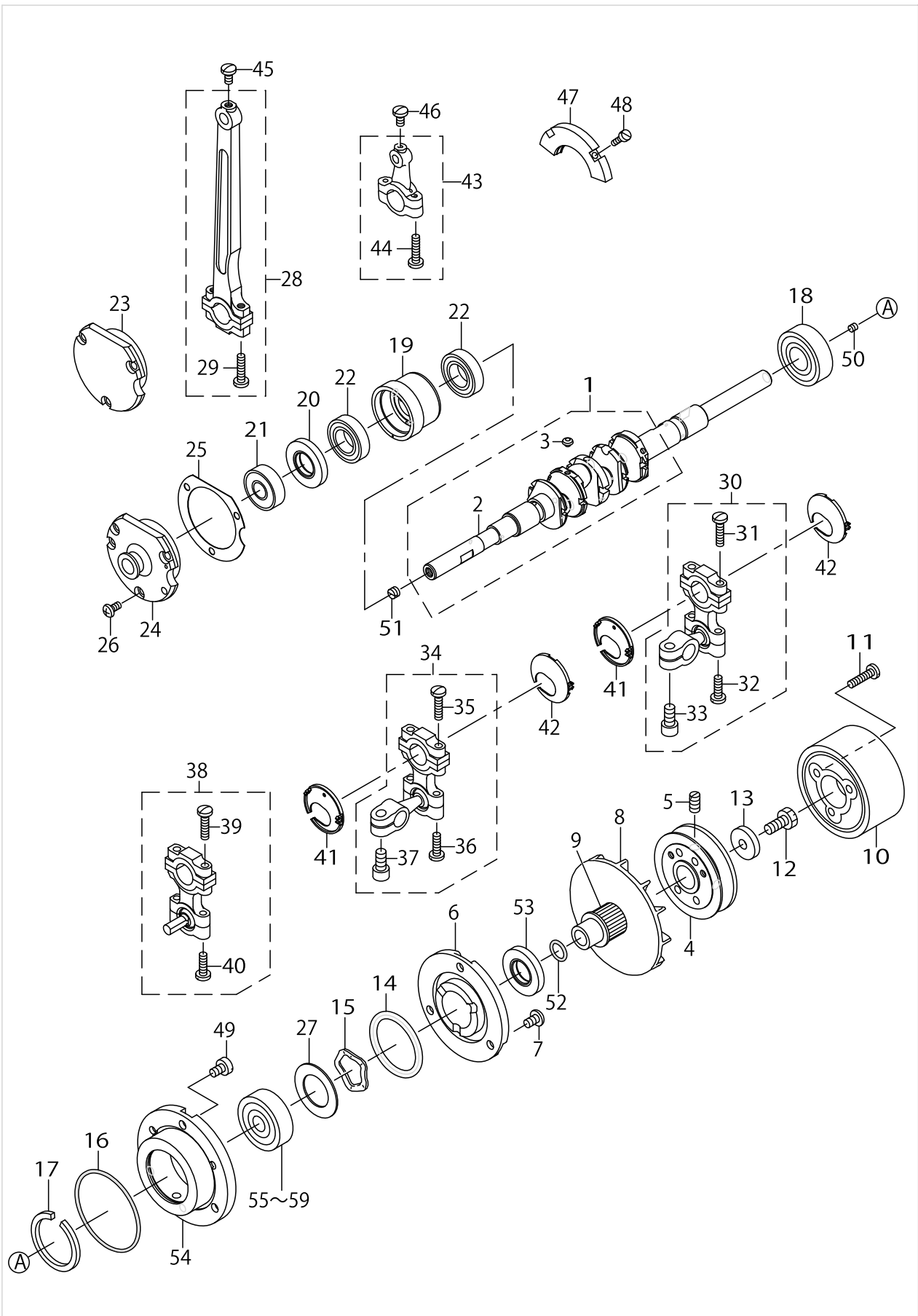
MISCELLANEOUS COVER COMPONENTS (2)



MISCELLANEOUS COVER COMPONENTS (2)

No.	Supply Code	Parts No.	Replacement	Parts name	Remarks	Choice	Step	Level	Cons	Qty	Rep. QTY
46		40004510		LOOPER DRIVING ROOM COVER						1	
47		SS1120710SP		SCREW 3/16-28 L=6.5						1	
48		SM6056052TP		SCREW M5 L=60						5	
49		SM6053502TP		BOLT						5	
50		WP0501016SD		WASHER 5X10.5X1						10	
51		WS0511302KS		SPRING WASHER 5.1X9.2X1.3						10	
52		TA1701002R0		RUBBER PLUG	FOR MO-6-104D,MO-6114D					1	
53		B8267180000		RUBBER PLUG						1	
54		TA1550902R0		PLUG						1	
55		40004611		FEED SHAFT THRUST COVER						1	
56		40004613		FEED SHAFT THRU-ST COVER GASKET						1	
57		SM4040855SP		SCREW						2	
58		40004755		LOOPER FELT PRESSER						1	

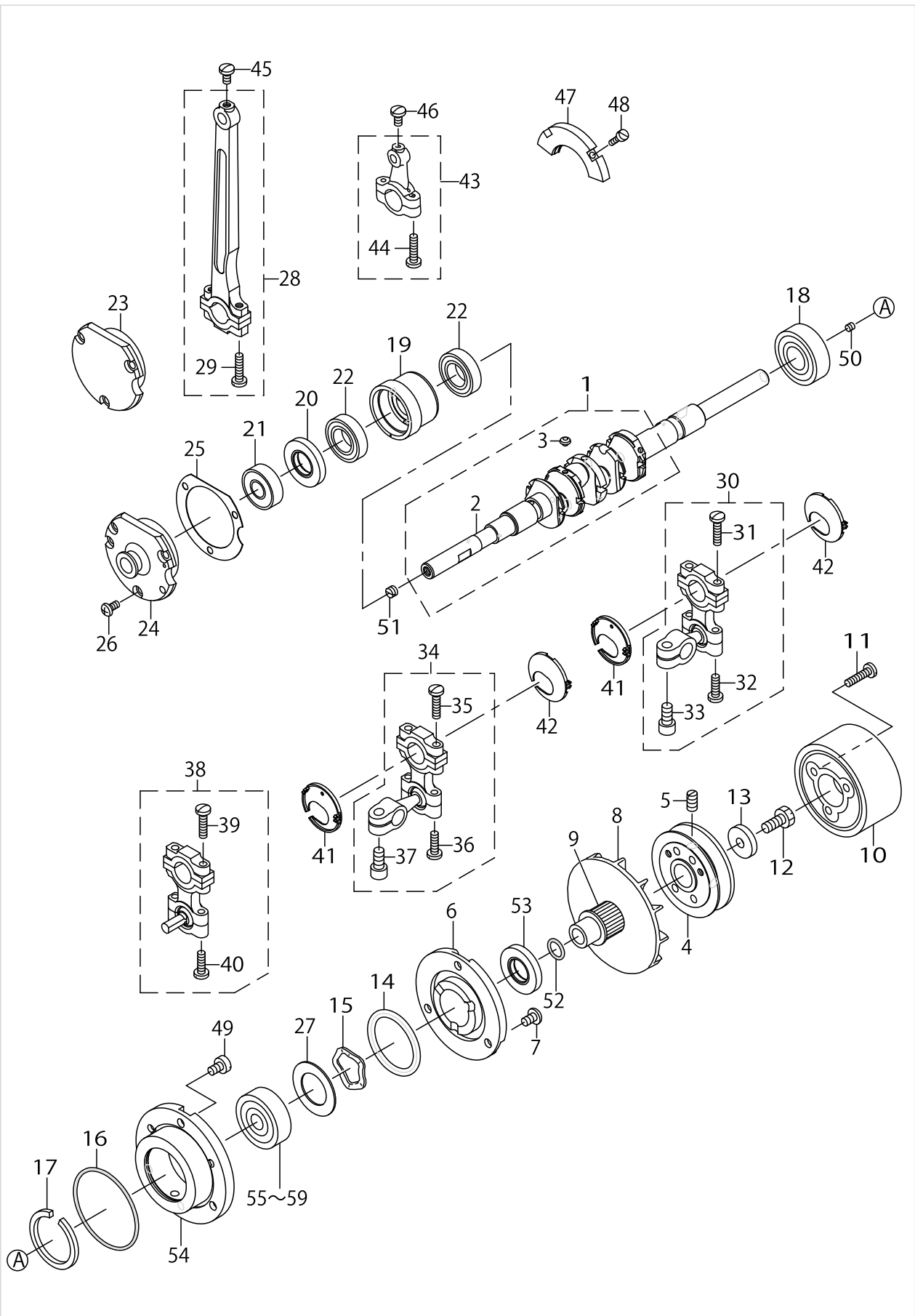
CRANKSHAFT COMPONENTS



CRANKSHAFT COMPONENTS

No.	Supply Code	Parts No.	Replacement	Parts name	Remarks	Choice	Step	Level	Cons	Qty	Rep. QTY
1	R	40004535	40022790	CRANKSHAFT (40H) ASM.						1	1.00
2	D	40004536		CRANKSHAFT (40H)				*		1	
3		SS5080212TP		SCREW 1/8-44 L=2				*		6	
4		13107602		HANDWHEE (A)						1	
5		SS8151150TP		SCREW 15/64-28 L=10.5						2	
6		40004550		THRUST COLLAR						1	
7		SM4050855SP		SCREW M5 L=8						3	
8		13108402		COOLING FAN						1	
9		40004543		CRANKSHAFT OIL SHIELD						1	
10		13107701		HANDWHEEL						1	
11		SS7111810TP		SCREW11/64-40L=18						3	
12		SS9151440CP		SCREW15/64-28L=14						1	
13	D	40004549		GEAR THRUST WASHER						1	
14		13170303		RUBBER RING						1	
15		WZ2640310KH		WAVED WASHER 26.4X33.9X3.5						1	
16		40004542		O RING						1	
17		B1212704000		BEARING RETAINER						1	
18		13108600		CRANKSHAFT BALL BEARING B						1	
19		40004545		C METAL						1	
20		40004546		C METAL OIL SEAL						1	
21		SB110000600		BALL BEARING						1	
22		40004547		CRANKSHAFT BALL BEARING C						1	
23		13108006		CRANKSHAFT BUSHING D	FOR MO-6-104D,MO-6114D					1	
24		13108105		CRANKSHAFT BUSHING D	FOR MO-6116D					1	
25		12108403		CRANKSHAFT BUSHING D GASKET						1	
26		SM4040855SP		SCREW						3	
27		13108303		BEARING HOLDING PLATE						1	
28	R	12109153	13207550	CONNECTING ROD ASM.						1	1.00
29		SS7111810TP		SCREW11/64-40L=18				*		2	
30		12122362		UPPER LOOPER ROD ASM.						1	
31		SS7111810TP		SCREW11/64-40L=18				*		2	
32		SS7111410TP		SCREW11/64-40L=14				*		2	
33		SM6061202TP		SCREW M6 L=12				*		1	
34		12123360		LOWER LOOPER ROD ASM. A	FOR MO-6-104D,MO-6114D					1	
35		SS7111810TP		SCREW11/64-40L=18				*		2	
36		SS7111410TP		SCREW11/64-40L=14				*		2	
37		SM6061202TP		SCREW M6 L=12				*		1	
38		12120150		LOWER LOOPER ROD ASM. B	FOR MO-6116D					1	
39		SS7111810TP		SCREW11/64-40L=18				*		2	
40		SS7111410TP		SCREW11/64-40L=14				*		2	
41		13222807		LOOPER ROD CENTER REST LEFT						2	
42		13222906		LOOPER ROD CENTER REST RIGHT						2	
43	R	12132155	13232558	KNIFE DRIVING ROD ASM.						1	1.00
44		SS7111810TP		SCREW11/64-40L=18				*		2	
45		SS7110840SP		SCREW 11/64-40 L=7.8						1	

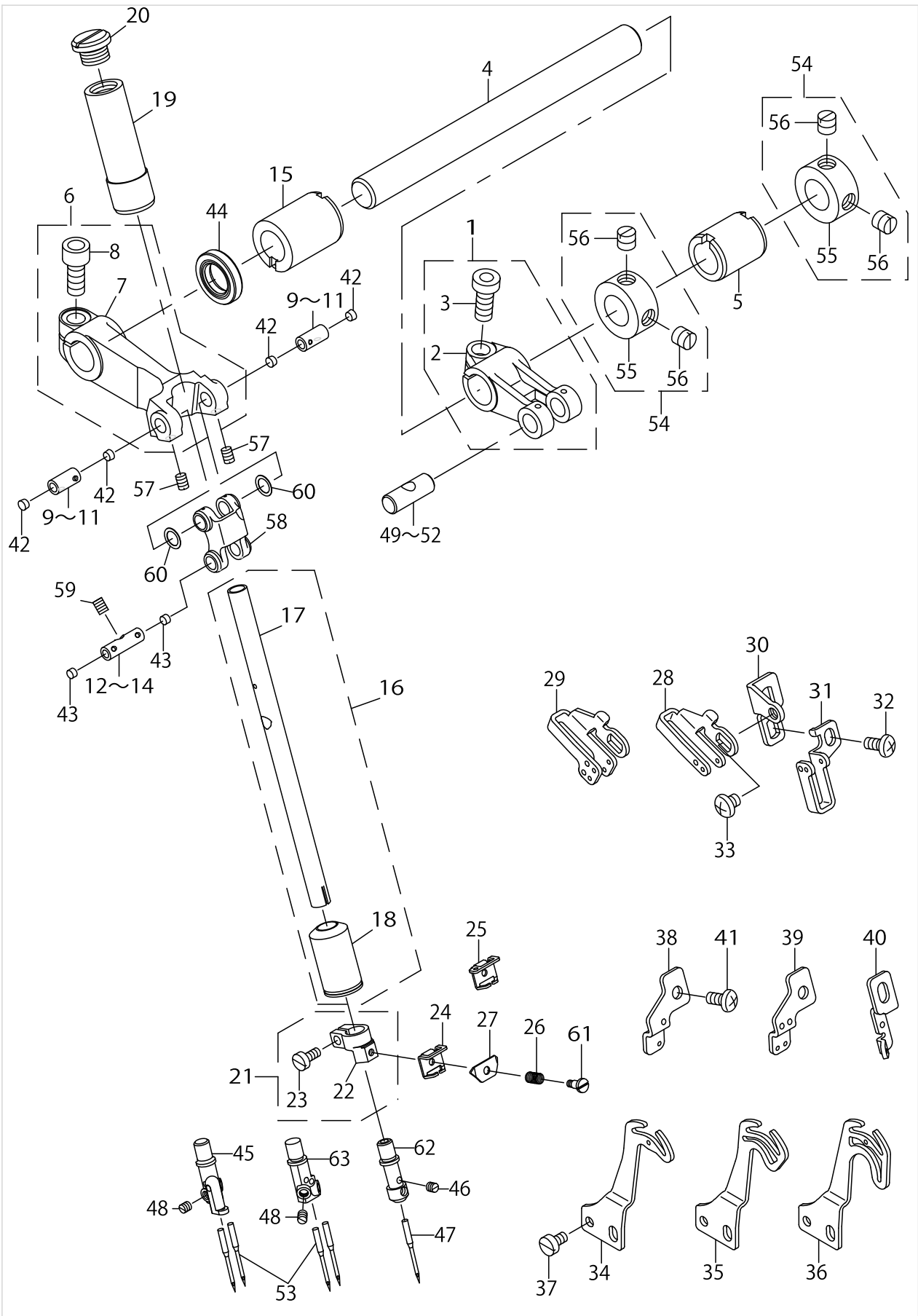
CRANKSHAFT COMPONENTS



CRANKSHAFT COMPONENTS

No.	Supply Code	Parts No.	Replacement	Parts name	Remarks	Choice	Step	Level	Cons	Qty	Rep. QTY
46		SS7110840SP		SCREW 11/64-40 L=7.8						1	
47		40017714		BALANCER						1	
48		SS6081210TP		SCREW 1/8-44 L=12						2	
49		SM6050800SP		SCREW M5 L=8						3	
50		SS8110422TP		SCREW 11/64-40 L=4						2	
51		SS8150410TP		SCREW 15/64-28 L=4.0	FOR MO-6-104D,MO-6114D					2	
52		RO098190100		RUBBER RING						1	
53		40004546		C METAL OIL SEAL						1	
54		40004540		A METAL						1	
55	D	40004551		BEARING	SELECTIVE PARTS					1	
56	D	40004552		BEARING	SELECTIVE PARTS					1	
57	D	40004553		BEARING	SELECTIVE PARTS					1	
58	D	40004554		BEARING	SELECTIVE PARTS					1	
59	D	40004555		BEARING	SELECTIVE PARTS					1	

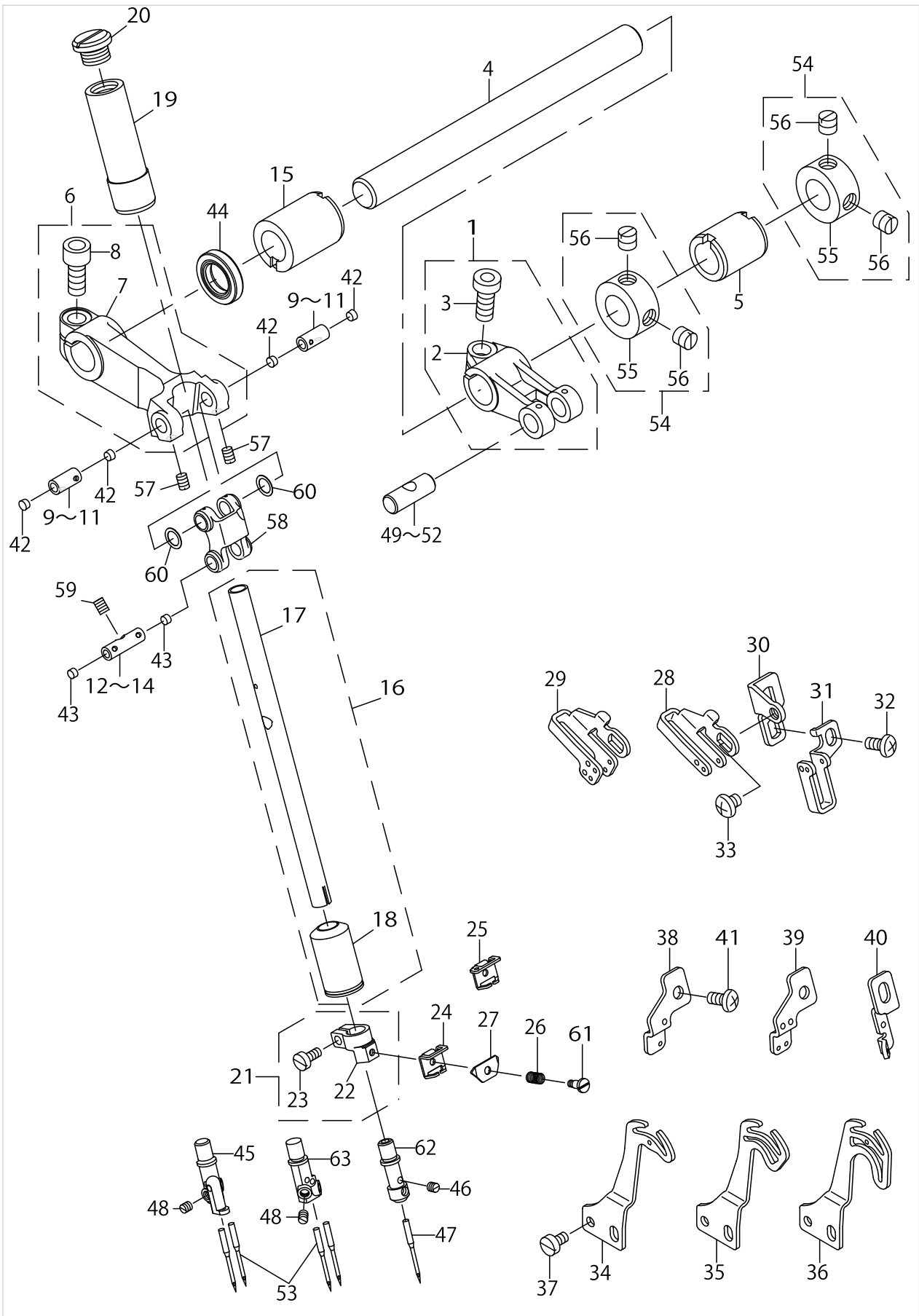
NEEDLE DRIVING SHAFT COMPONENTS



NEEDLE DRIVING SHAFT COMPONENTS

No.	Supply Code	Parts No.	Replacement	Parts name	Remarks	Choice	Step	Level	Cons	Qty	Rep. QTY
1		13110556		FEED FORKED CRANK ASM.						1	
2	R	13110507	13110556	NEEDLE DRIVING BRANCH CRANK				*		1	1.00
3		SM6061402TP		SCREW M6 L=14				*		1	
4		40004558		NEEDLE DRIVING SHAFT						1	
5		13110101		BUSHING REAR						1	
6		13209853		NEEDLE DRIVING ARM ASM.						1	
7	R	13209804	13209853	NEEDLE DRIVING ARM				*		1	1.00
8		SM6061402TP		SCREW M6 L=14				*		1	
9		40004559		NEEDLE DRIVING ARM PIN A	SELECTIVE PARTS					2	
10		40004561		NEEDLE DRIVING ARM PIN B	SELECTIVE PARTS					2	
11		40004563		NEEDLE DRIVING ARM PIN C	SELECTIVE PARTS					2	
12		40004565		NEEDLE DRIVING PIN A	SELECTIVE PARTS					1	
13		40004567		NEEDLE DRIVING PIN B	SELECTIVE PARTS					1	
14		40004569		NEEDLE DRIVING PIN C	SELECTIVE PARTS					1	
15		40004572		FRONT METAL						1	
16	R	40004576	40032558	NEEDLE ROD (B) ASM.						1	1.00
17		13210000		NEEDLE HOLDER (B)				*		1	
18	R	40004577	40032558	NEEDLE ROD LOWER METAL				*		1	1.00
19		40004578		NEEDLE ROD UPPER METAL						1	
20		13207808		NEEDLE ROD BUSHING CAP SCREW						1	
21		13110259		NEEDLE CLAMP HOLDER ASM.						1	
22	R	13110200	13110259	NEEDLE CLAMP HOLDER				*		1	1.00
23		SS6080720SP		SCREW 1/8-44 L=7				*		1	
24		13110705		NEEDLE THREAD PRESSER GUIDE A	FOR MO-6-104D, MO-6114D					1	
25		13110804		NEEDLE THREAD PRESSER GUIDE B	FOR MO-6116D					1	
26		13110903		NEEDLE THREAD PRESSER SPRING						1	
27		13111000		NEEDLE THREAD PRESSER PLATE A						1	
28		13208806		NEEDLE THREAD GUIDE	FOR MO-6-104D, MO-6116D					1	
29		13208905		THREAD GUIDE 2-NEEDLE	FOR MO-6114D					1	
30		13208707		NEEDLE THREAD GUIDE BASE						1	
31		13111109		THREAD GUIDE CHAIN LOOPER	FOR MO-6116D					1	
32		SM4040855SP		SCREW						2	
33		SS4110515SP		SCREW 11/64-40 L=5						1	
34		13111208		NEEDLE THREAD TAKE-UP LEVER	FOR MO-6104D					1	
35		13111307		TAKE-UP LEVER 2-NEEDLE	FOR MO-6114D					1	
36		13111406		TAKE-UP LEVER CHAIN LOOP	FOR MO-6116D					1	
37		SS6090670TP		SCREW 9/64-40 L=6						2	
38		13111505		NEEDLE THREAD BALANCE GUIDE	FOR MO-6-104D, MO-6116D					1	
39		13111604		TAKE-UP LEVER GUIDE 2-NEEDLE	FOR MO-6114D					1	
40		13111703		TAKE-UP LEVER GUIDE CHAIN LOOP	FOR MO-6116D					1	
41		SM4040855SP		SCREW						1	
42		40004580		NEEDLE DRIVING ARM PIN PLUG						4	
43		11517307		PLUG						2	

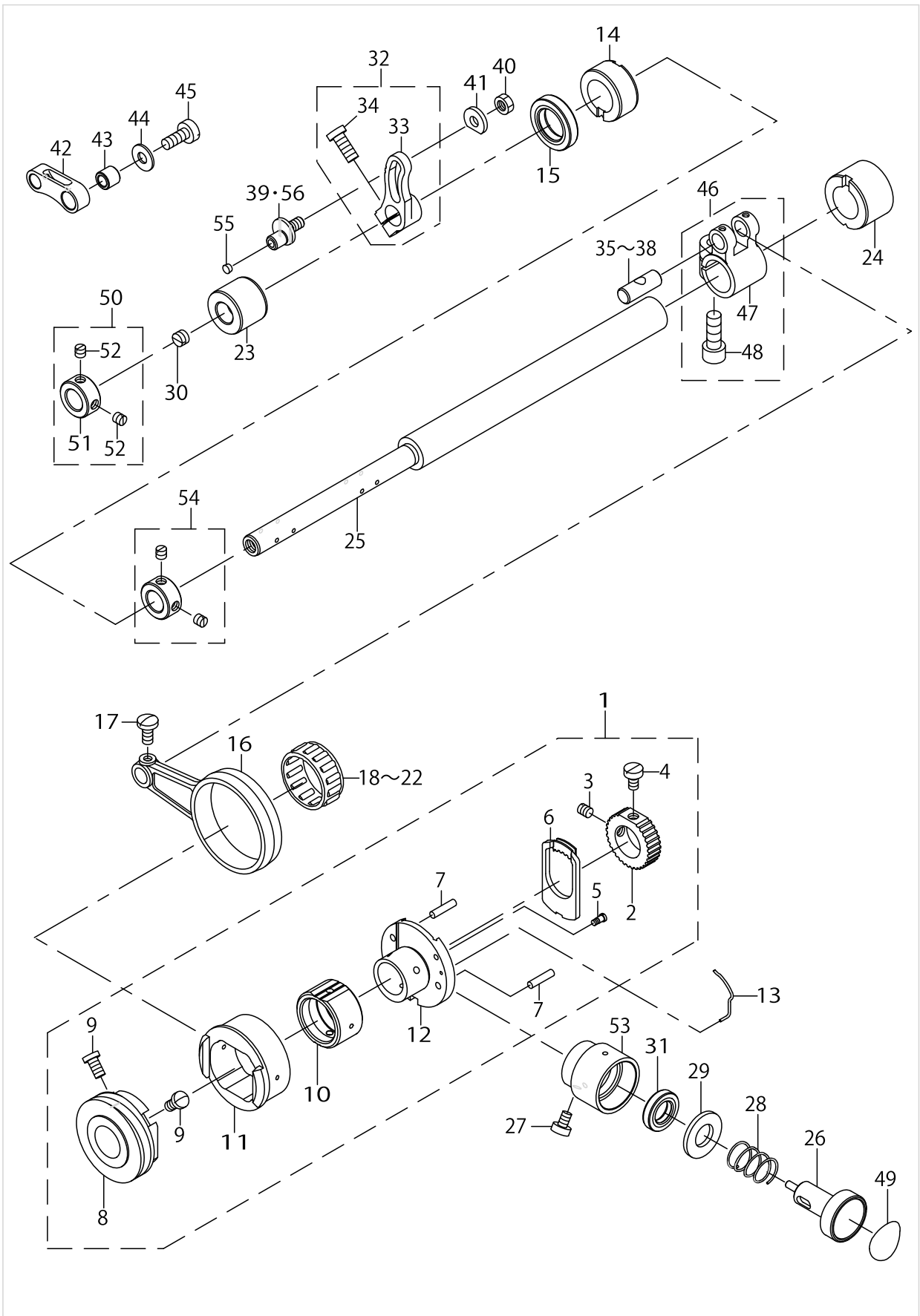
NEEDLE DRIVING SHAFT COMPONENTS



NEEDLE DRIVING SHAFT COMPONENTS

No.	Supply Code	Parts No.	Replacement	Parts name	Remarks	Choice	Step	Level	Cons	Qty	Rep. QTY
44		40004573		OIL SEAL						1	
45	R	12257002	13175500	CHAIN LOOPER NEEDLE CLAMP. DE	FOR MO-6116D					1	1.00
46		SS8080310TP		SCREW 1/8-44 L=2.8	FOR MO-6104D					1	
47		MDC270B1100		NEEDLE DCX27 #11	FOR MO-6104D					1	
48		SS8080310TP		SCREW 1/8-44 L=2.8	FOR MO-6-114D,MO-6116D					2	
49		13122007		FEED BRANCH CRANK PIN A	SELECTIVE PARTS					1	
50		13122106		FEED BRANCH CRANK PIN B	SELECTIVE PARTS					1	
51		13122205		FEED BRANCH CRANK PIN C	SELECTIVE PARTS					1	
52		13122304		FEED BRANCH CRANK PIN D	SELECTIVE PARTS					1	
53		MDC270B1100		NEEDLE DCX27 #11	FOR MO-6-114D,MO-6116D					2	
54		13172754		THRUST COLLAR ASM.						2	
55		13172705		THRUST COLLAR				*		1	
56		SS8660610TP		SCREW 1/4-40 L=6				*		2	
57		SS8090530TP		SCREW 9/64-40 L=5.0						2	
58		40004574		NEEDLE DRIVING LINK						1	
59		SS8090530TP		SCREW 9/64-40 L=5.0						1	
60		13208103		NEEDLE DRIVING LINK WASHER						2	
61		SD0280401SL		HINGE SCREW D=2.8 H=4						1	
62		13175005		NEEDLE CLAMP 1-NEEDLE	FOR MO-6104D					1	
63	R	12256905	13175203	NEEDLE CLAMP 2-NEEDLE(BE6)	FOR MO-6114D					1	1.00

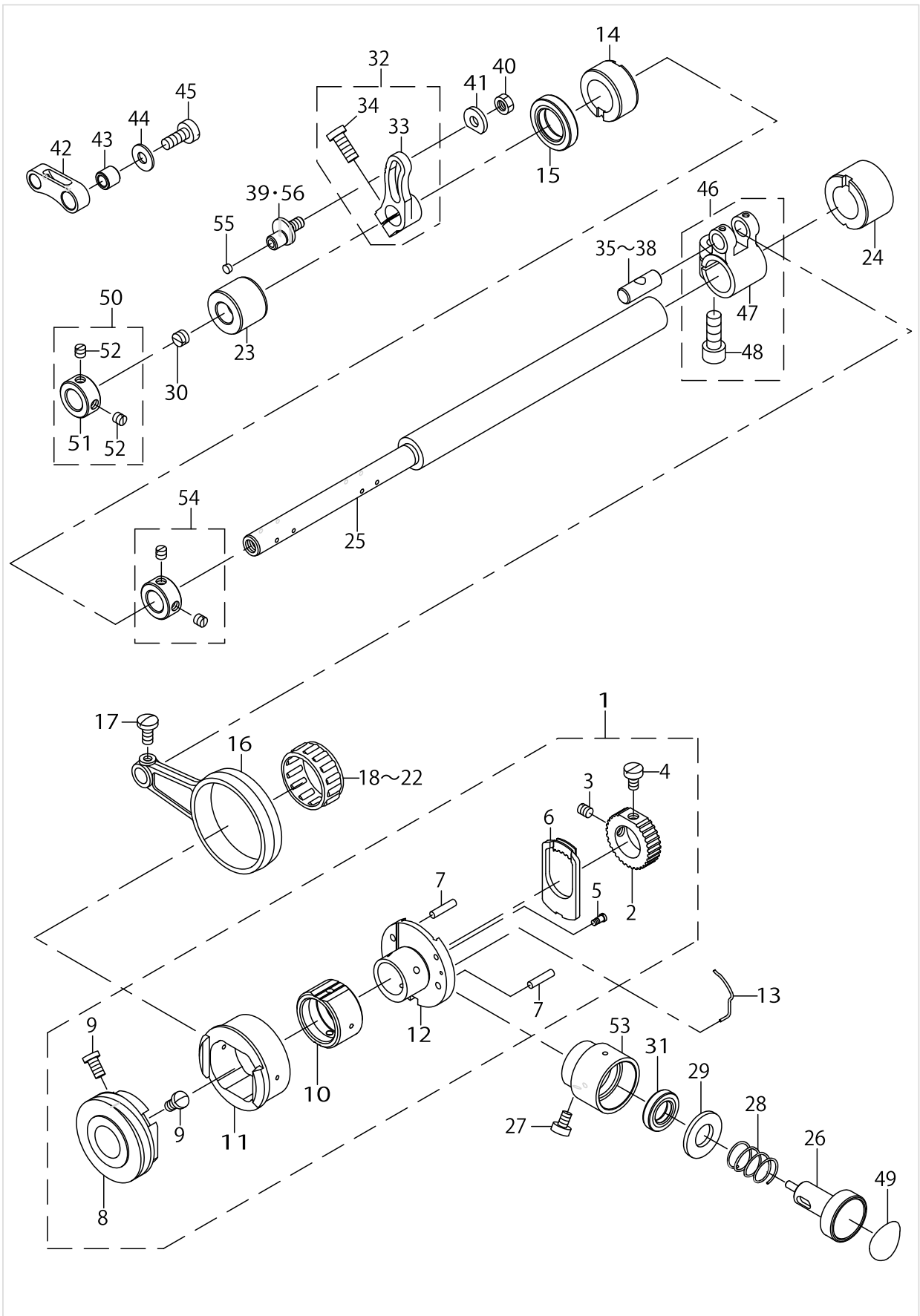
FEED MECHANISM COMPONENTS (1)



FEED MECHANISM COMPONENTS (1)

No.	Supply Code	Parts No.	Replacement	Parts name	Remarks	Choice	Step	Level	Cons	Qty	Rep. QTY
1		40004591		FEED ECCENTRIC BASE ASM.						1	
2		40004592		RATCHET GEAR				*		1	
3	R	SS8110510SP	SS8110520TP	SCREW 11/64-40 L=5				*		1	1.00
4		SS6110710TP		SCREW 11/64-40 L=6.5				*		1	
5		SD0260271SP		HINGE SCREW D=2.60 H=2.7				*		1	
6		40004593		RATCHET				*		1	
7		PS0300102K0		SPRING PIN 3.0X10				*		2	
8		40004597		FEED ECCENTRIC S-UPPORT WORM				*		1	
9		SS7110810SP		SCREW 11/64-40 L=8.0				*		2	
10		40004595		FEED CAM BLOCK				*		1	
11		40004596		FEED CAM				*		1	
12		40004594		FEED ADJUSTING CAM				*		1	
13		13122502		RATCHET PAWL SPRING						1	
14		40004604		FEED SHAFT INNER METAL						1	
15		40004606		OIL SEAL						1	
16		40004599		FEED CRANK ROD						1	
17		SS7110910TP		SCREW 11/64-40 L=8.5						1	
18		SB33500020A		BEARING	SELECTIVE PARTS					1	
19		SB33500020B		BEARING	SELECTIVE PARTS					1	
20		SB33500020C		BEARING	SELECTIVE PARTS					1	
21		SB33500020D		BEARING	SELECTIVE PARTS					1	
22		SB33500020E		BEARING	SELECTIVE PARTS					1	
23		40004603		FEED SHAFT FRONT METAL						1	
24		40004605		FEED SHAFT REAR METAL						1	
25		40004608		FEED SHAFT						1	
26		40004649		PUSHBUTTONSHAFT						1	
27		SS6090610SP		SCREW 9/64-40 L=5.5						1	
28		40004652		PUSH BUTTON SPRING						1	
29		WP1052001SC		WASHER 10.5X21X2						1	
30		SS8150410TP		SCREW 15/64-28 L=4.0						2	
31	D	40004699		OIL SEAL						1	
32		13119953		MAIN FEED ARM ASM.						1	
33		13119904		MAIN FEED ARM				*		1	
34		SM6051202TP		SCREW M5X0.8 L=12				*		1	
35		13122007		CRANK PIN A	SELECTIVE PARTS					1	
36		13122106		CRANK PIN B	SELECTIVE PARTS					1	
37		13122205		CRANK PIN C	SELECTIVE PARTS					1	
38		13122304		CRANK PIN D	SELECTIVE PARTS					1	
39		40004659		MAIN FEED ARM PIN A	SELECTIVE PARTS					1	
40		NS6620320SP		NUT 3/16-32						1	
41		13120001		WASHER B						1	
42		40004627		MAIN FEED LINK						1	
43		40004629		MAIN FEED PIN COLLAR						1	
44		13120605		WASHER						1	
45		SS6121220TP		SCREW 3/16-28 L=11.5						1	
46		40004600		FEED BRANCH CRANK ASM.						1	

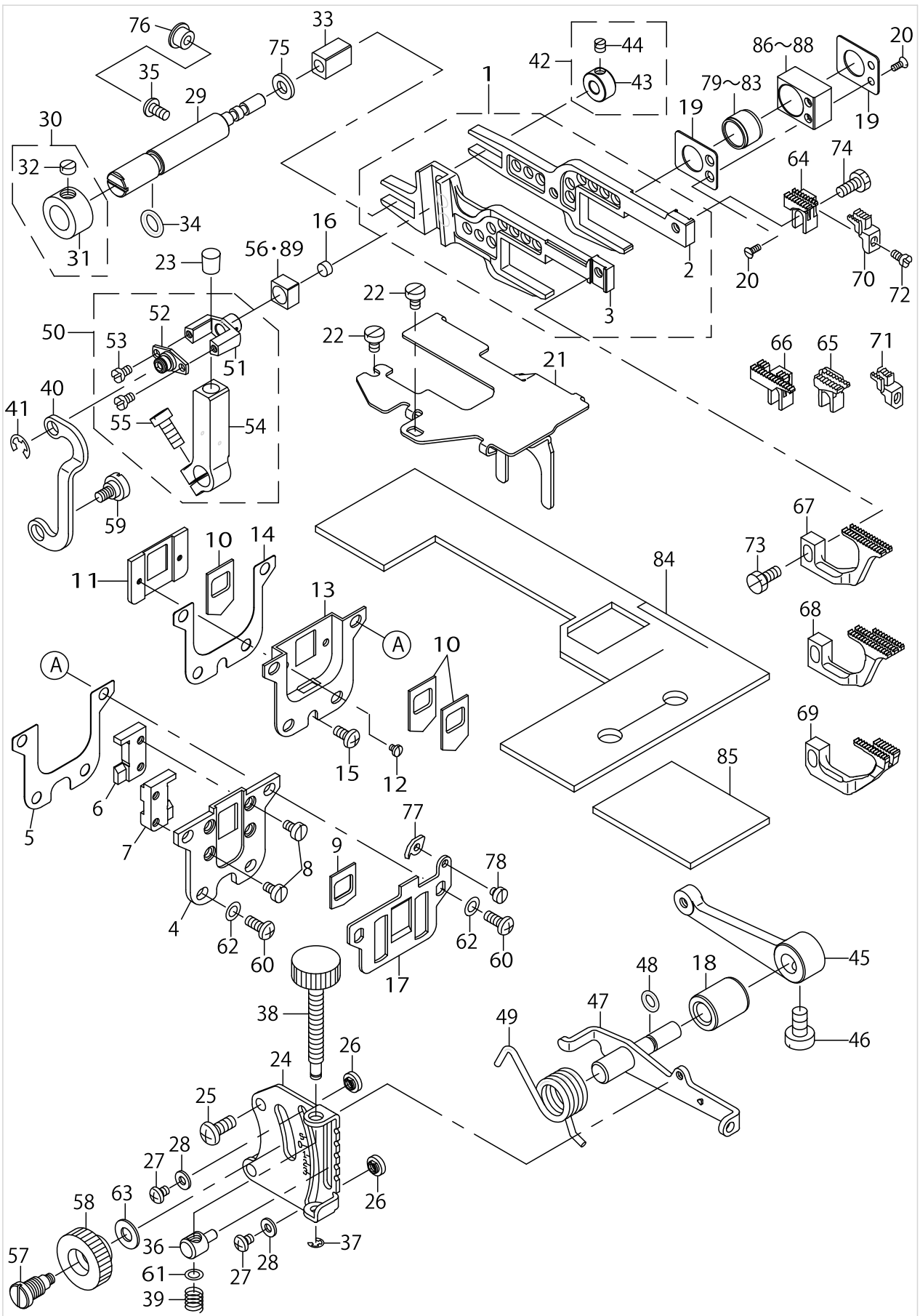
FEED MECHANISM COMPONENTS (1)



FEED MECHANISM COMPONENTS (1)

No.	Supply Code	Parts No.	Replacement	Parts name	Remarks	Choice	Step	Level	Cons	Qty	Rep. QTY
47		40004601		FEED BRANCH CRANK				*		1	
48		SM6061602TP		SCREW M6 L=16				*		1	
49		40004651		PUSH BUTTON SEAL						1	
50		13172556		FEED SHAFT THRU- ST COLLAR ASM.						1	
51		13172507		FEED SHAFT THRUST COLLAR				*		1	
52		SS8110410TP		SCREW 11/64-40 L=3.5				*		2	
53	D	40004648		PUSH BUTTON SHAFT BUSH						1	
54		CS150101ATH		THRUST COLLAR ASM.						1	
55		TA0340201R0		PLUG D=3.4X3.9 L=2						1	
56		40004660		MAIN FEED ARM PIN B	SELECTIVE PARTS					1	

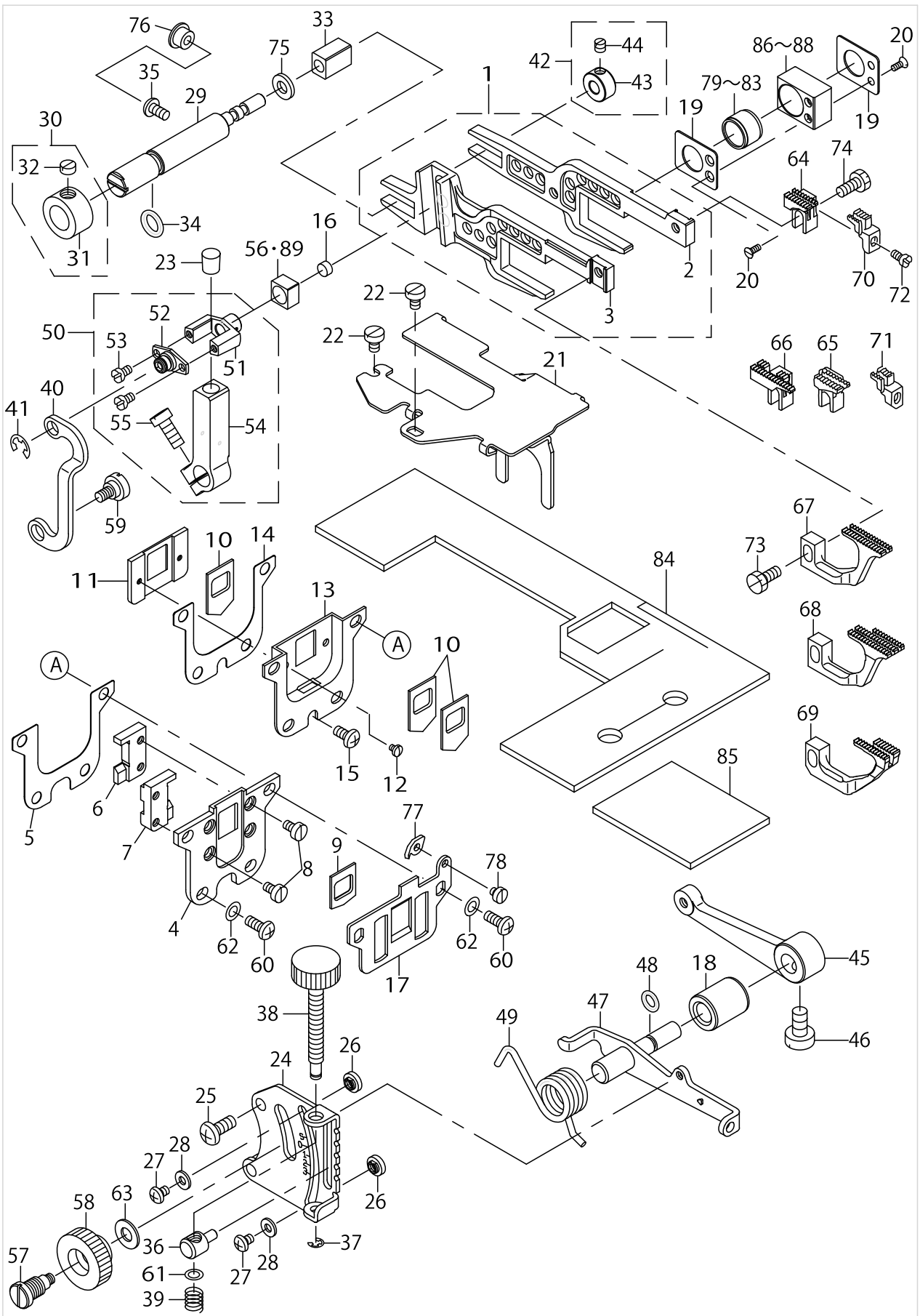
FEED MECHANISM COMPONENTS (2)



FEED MECHANISM COMPONENTS (2)

No.	Supply Code	Parts No.	Replacement	Parts name	Remarks	Choice	Step	Level	Cons	Qty	Rep. QTY
1		13215157		FEED ROCKER ASM.						1	
2	R	13215108	13215157	MAIN FEED BAR				*		1	1.00
3	R	13215207	13215157	DIFFERENTIAL FEED BAR				*		1	1.00
4		13215306		RUBBER CASE						1	
5		13215405		RUBBER CASE GASKET						1	
6		13215504		FEED BAR SUPPORT RIGHT						1	
7		13215603		FEED BAR SUPPORT LEFT						1	
8		SS6090620TP		SCREW						4	
9	R	12118303	70004244	DUST-PROOF RUBBER						1	1.00
10	R	12118204	70004244	OIL SHIELD RUBBER						3	1.00
11		13215702		RUBBER HOLDING PLATE						1	
12		SS7060310SP		SCREW 3/32-56 L=3						2	
13		13215900		OIL SHIELD CASE						1	
14		13216007		OIL SHIELD CASE GASKET						1	
15		SM4040855SP		SCREW						1	
16	R	11806304	13102702	PLUG						1	1.00
17		13215801		THROAT PLATE SUPPORT						1	
18		40004645		DIFFERENTIAL FEED GRADUATION						1	
19		40004618		STOPPER						2	
20		SS1060610SP		SCREW 3/32-56 L=5.5						4	
21		40004754		FEED FELT PRESSER						1	
22		SM6040600SP		SCREW M4 L=6						2	
23		TA0690801R0		PLUG D=6.9X7.5 L=8						1	
24		13122809		DIFFERENTIAL FEED GRADUATION						1	
25		SM4051255SP		SCREW M5 L=12.						2	
26		13121405		ADJUSTING STOPPER						2	
27		SS4090515SP		SCREW 9/64-40 L=5						2	
28		WP0371016SD		WASHER 3.7X8X1						2	
29		40004643		DRIVING SUPPORT SHAFT						1	
30		13121058		HRUST COLLAR ASM.						1	
31		13121009		HRUST COLLAR				*		1	
32		SS8660330SP		SCREW 1/4-40 L=3.0				*		1	
33		13120803		SLIDE BLOCK						1	
34		13170204		RUBBER RING						1	
35		SM4040855SP		SCREW						1	
36		13217708		DIFFERENTIAL FEED BLOCK						1	
37		RE0300000K0		E-RING 3						1	
38		13213012		ADJUSTING SCREW						1	
39		13123302		DIFFERENTIAL FEED SCREW SPRING						1	
40		40004646		DIFFERENTIAL FEED LINK						1	
41		RE0500000K0		E-RING 5						1	
42		13121256		SUPPORT SHAFT COLLAR ASM.						1	
43	R	13121207	13121256	SUPPORT SHAFT COLLAR				*		1	1.00
44		SS8110410TP		SCREW 11/64-40 L=3.5				*		1	
45		40004647		DIFFERENTIAL FEED ARM						1	
46		SS6661110SP		SCREW 1/4-40 L=11						1	

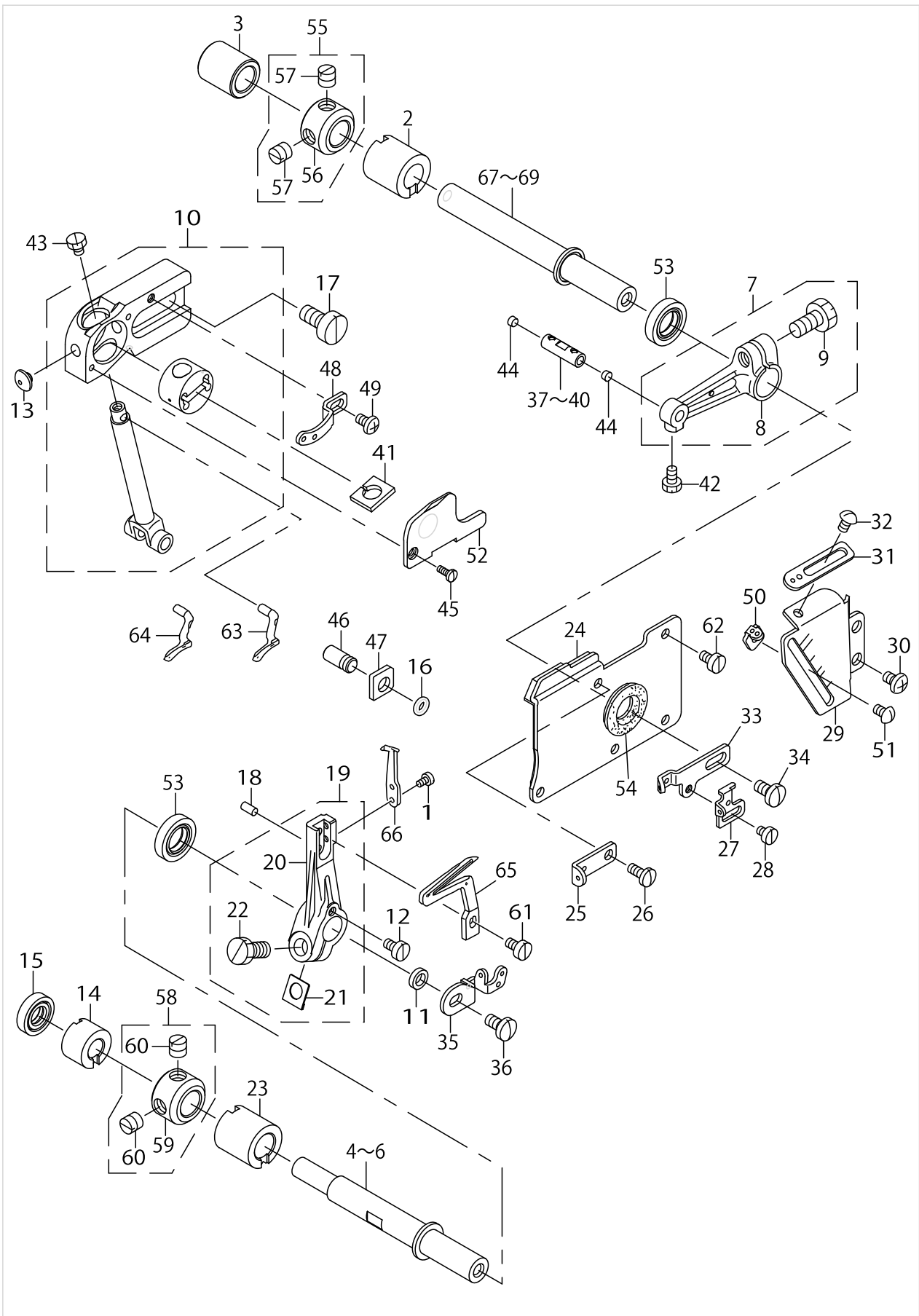
FEED MECHANISM COMPONENTS (2)



FEED MECHANISM COMPONENTS (2)

No.	Supply Code	Parts No.	Replacement	Parts name	Remarks	Choice	Step	Level	Cons	Qty	Rep. QTY
47		13217351		ROCKER SHAFT ASM.						1	
48		13170501		RUBBER RING						1	
49		13121603		ADJUSTING LEVER SPRING						1	
50		40019589		DIFFERENTIAL FEED ARM ASM.						1	
51		40019591		DIFFERENTIAL FEED PIN				*		1	
52		40004638		DIFFERENTIAL FEED COVER				*		1	
53		SS6080410SP		SCREW 1/8-44 L=4				*		2	
54		40019590		DIFFERENTIAL FEED ARM				*		1	
55		SM6051202TP		SCREW M5X0.8 L=12				*		1	
56	D	40004641		SLIDE BLOCK A	SELECTIVE PARTS					1	
57		13217401		DIFFERENTIAL FEED HINGE SCREW						1	
58		13217500		DIFFERENTIAL FEED LOCK NUT						1	
59		SD0720271SP		HINGE SCREW D=7.2 H=2.7						1	
60		SM4041055SP		SCREW M4 L=10						4	
61		WP0460556SD		WASHER 4.6X7.5X0.5						1	
62		WP0480856SP		WASHER 4.8X8.4X0.8						4	
63		WP0621016SD		WASHER 6.2X13X1						1	
64		13191606		MAIN FEED DOG	FOR MO-6104D					1	
65	R	11949807	13192000	MAIN FEED DOG (F-25)	FOR MO-6114D					1	1.00
66		13192406		MAIN FEED DOG	FOR MO-6116D					1	
67		13192802		DIFFERENTIAL FEED DOG	FOR MO-6104D					1	
68		13193206		DIFFERENTIAL FEED DOG	FOR MO-6114D					1	
69		13193602		DIFFERENTIAL FEED DOG	FOR MO-6116D					1	
70		13191309		AUXILIARY FEED DOG	FOR MO-6-104D,MO-6114D					1	
71		13191408		AUXILIARY FEED DOG	FOR MO-6116D					1	
72		SS4080620TP		SCREW 1/8-44 L=6						1	
73		SS9111010SP		SCREW 11/64-40 L=9.5						1	
74		SS9111050SP		SCREW 11/64-40 L=9.5						1	
75		13121108		WASHER						1	
76		TA0800504R0		PLUG D=8 L=4.5						1	
77		13200902		FEED MECHANISM COVER PRESSER						1	
78		SS6080340SP		SCREW 1/8-44 L=2.9						1	
79		40004619		BEARING A	SELECTIVE PARTS					1	
80		40004620		BEARING B	SELECTIVE PARTS					1	
81		40004621		BEARING C	SELECTIVE PARTS					1	
82		40004622		BEARING D	SELECTIVE PARTS					1	
83		40004623		BEARING E	SELECTIVE PARTS					1	
84		40004752		FEED FELT A						1	
85		40004753		FEED FELT B						1	
86	D	40004653		SLIDE BLOCK A	SELECTIVE PARTS					1	
87		40004654		SLIDE BLOCK B	SELECTIVE PARTS					1	
88		40004655		SLIDE BLOCK C	SELECTIVE PARTS					1	
89		40004642		SLIDE BLOCK B	SELECTIVE PARTS					1	

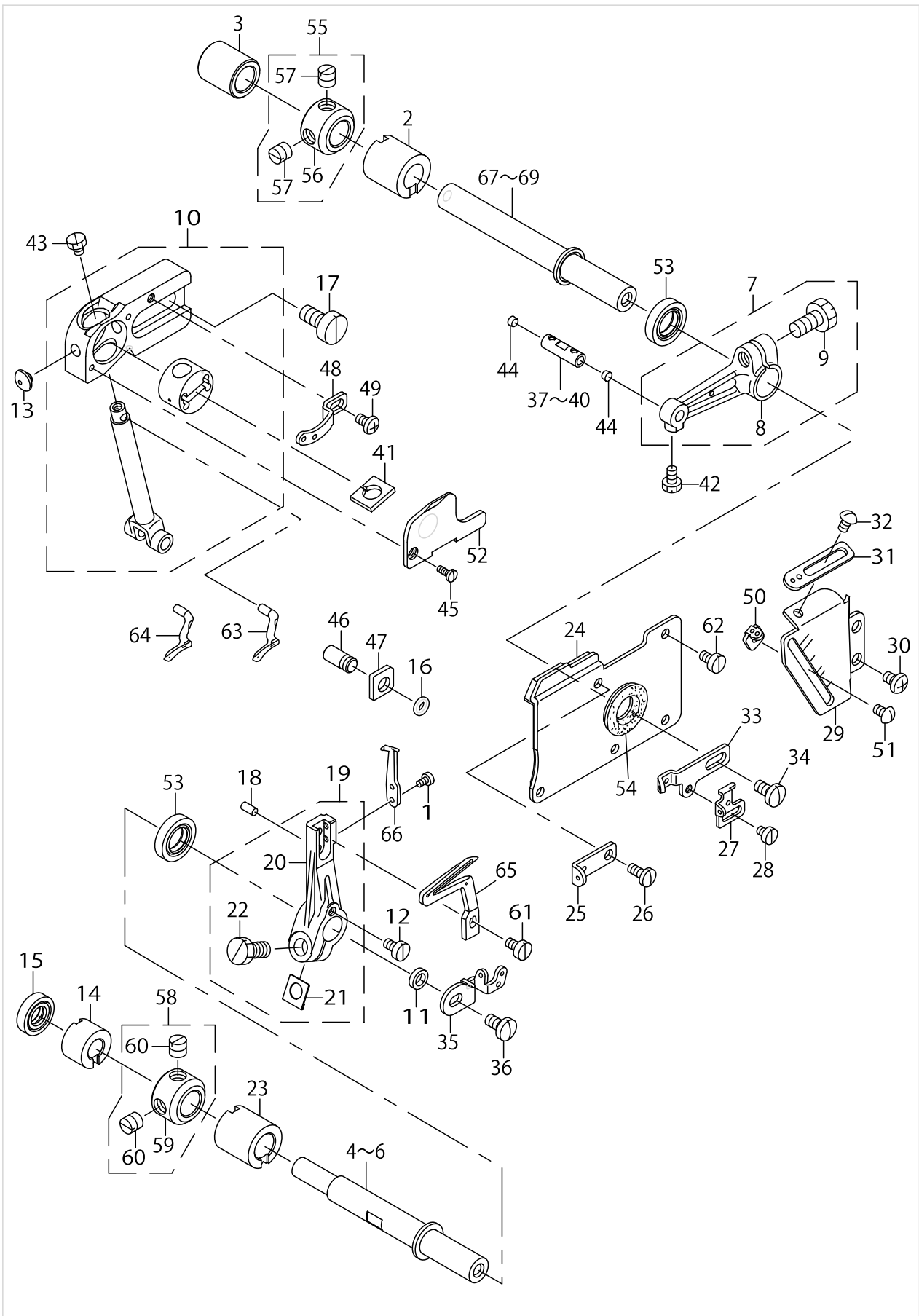
UPPER & LOWER LOOPER COMPONENTS



UPPER & LOWER LOOPER COMPONENTS

No.	Supply Code	Parts No.	Replacement	Parts name	Remarks	Choice	Step	Level	Cons	Qty	Rep. QTY
1		SS6060440TP		SCREW 3/32-56 L=3.5						2	
2		40004696		UPPER LOOPER SH-AFT FRONT METAL						1	
3		13222708		LOOPER SHAFT REAR BUSHING						1	
4		40004701		LOWER LOOPER SHAFT A	SELECTIVE PARTS					1	
5		40004702		LOWER LOOPER SHAFT B	SELECTIVE PARTS					1	
6		40004703		LOWER LOOPER SHAFT C	SELECTIVE PARTS					1	
7		13131156		UPPER LOOPER ARM B ASM.						1	
8	R	13131107	13131156	UPPER LOOPER ARM B				*		1	1.00
9		SS9151210TP		SCREW 15/64-28 L=11.8				*		1	
10	R	40039400	40093342	GUIDE SUPPORT A ASM.						1	1.00
11		13132600		COLLAR						1	
12		SS6090630TP		SCREW 9/64-40 L=6						1	
13		13204003		SAFETY PLATE BUSH						1	
14		40004697		UPPER LOOPER SH-AFT REAR METAL						1	
15		40004683		OIL SEAL						1	
16		13170600		RUBBER RING						1	
17		SM6061200SP		SCREW M6 L=12						2	
18		PS0300062KH		SPRING PIN 3X6						1	
19		13132550		LOWER LOOPER SUPPORT ARM ASM.						1	
20	R	13132501	13132550	LOWER LOOPER SUPPORT ARM				*		1	1.00
21		13129309		WASHER				*		1	
22		SS9151210TP		SCREW 15/64-28 L=11.8				*		1	
23		40004698		LOWER LOOPER SH-AFT FRONT METAL						1	
24		13133053		OIL SHIELD PLATE ASM.						1	
25		12340600		UPPER LOOPER THREAD GUIDE						1	
26		SS7090850SP		SCREW 9/64-40 L=8						1	
27		12340709		LOWER LOOPER THREAD TAKE-UP						1	
28		SS6080410SP		SCREW 1/8-44 L=4						1	
29		13222401		LOOPER THREAD TAKE-UP COVER						1	
30		SM4040655SP		SCREW M4 L=6						2	
31		12340303		THREADGUIDERIGHT						1	
32		SS3090610SP		SCREW 9/64-40 L=6						1	
33		12340402		THREAD TAKE-UP RIGHT						1	
34		SS7110840SP		SCREW 11/64-40 L=7.8						1	
35		13132907		LOOPER THREAD TAKE-UP LEFT						1	
36		SS7110840SP		SCREW 11/64-40 L=7.8						1	
37		40004716		UPPER LOOPER HOLDER PIN A	SELECTIVE PARTS					1	
38		40004718		UPPER LOOPER HOLDER PIN B	SELECTIVE PARTS					1	
39		40004720		UPPER LOOPER HOLDER PIN C	SELECTIVE PARTS					1	
40		40004722		UPPER LOOPER HOLDER PIN D	SELECTIVE PARTS					1	
41		40004751		UPPER LOOPER GUIDE FELT						1	
42		SS9090610TP		SCREW 9/64-40 L=5.5						1	
43		SS9090410TP		SCREW						1	
44		40004580		NEEDLE DRIVING ARM PIN PLUG						2	

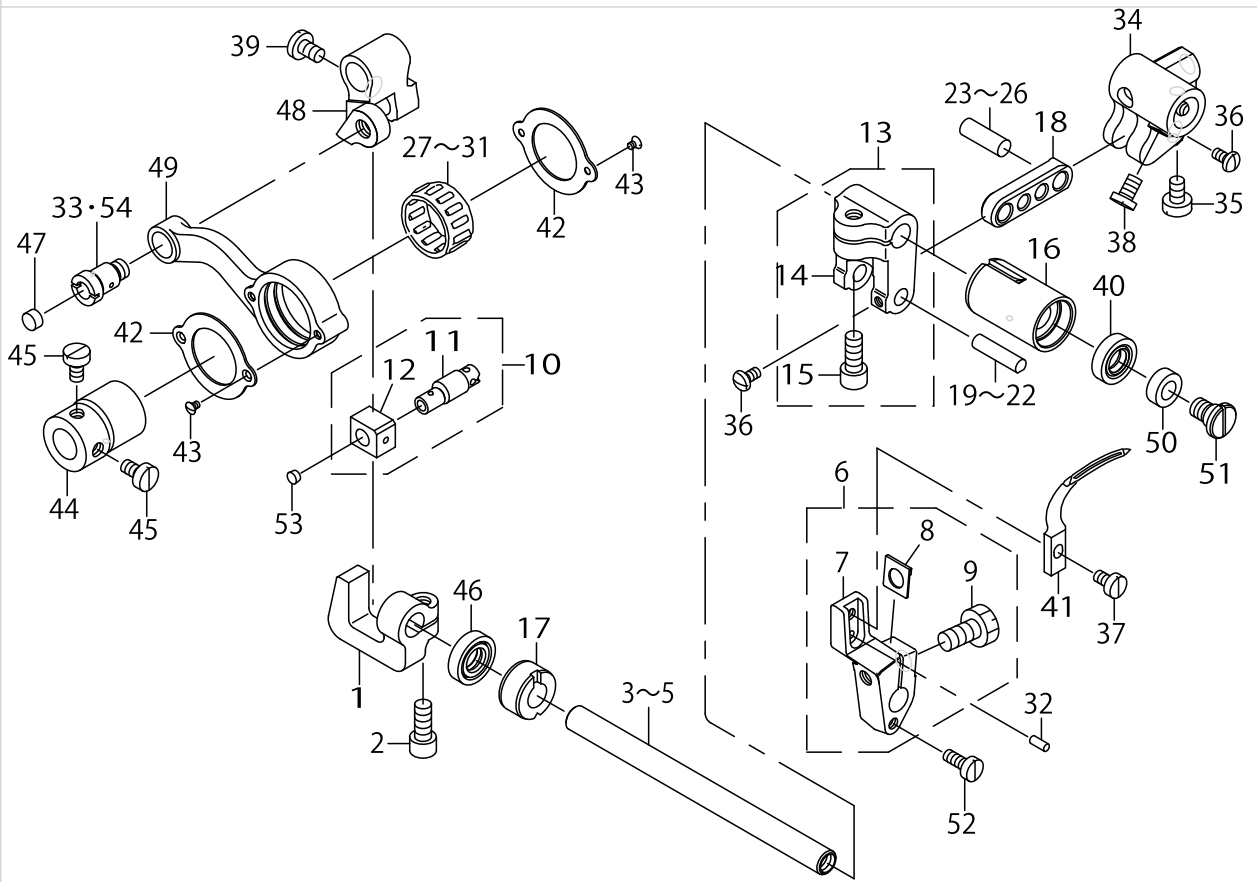
UPPER & LOWER LOOPER COMPONENTS



UPPER & LOWER LOOPER COMPONENTS

No.	Supply Code	Parts No.	Replacement	Parts name	Remarks	Choice	Step	Level	Cons	Qty	Rep. QTY
45		SS7060610SP		SCREW 3/32-56 L=5.5						2	
46		13131800		GAUGE FIXING PIN						1	
47		13132006		GUIDE SUPPORT GAUGE						1	
48		12340501		THREAD GUIDE UPPER						1	
49		SS4090615SP		SCREW 9/64-40 L=6						1	
50		12340808		THREAD GUIDE						1	
51		SS3090610SP		SCREW 9/64-40 L=6						1	
52		40004713		UPPER LOOPER GUIDE COVER A						1	
53	D	40004699		OIL SEAL						2	
54		B2530704000		UPPER LOOPER SH- AFT RUBBER RING						1	
55	R	13172853	CS1031210SH	THRUST COLLAR ASM.	FOR MO-6- 104D,MO-6114D					2	1.00
56		13172804		THRUST COLLAR				*		1	
57		SS8660610TP		SCREW 1/4-40 L=6				*		2	
58	R	13172853	CS1031210SH	THRUST COLLAR ASM.	FOR MO-6116D					1	1.00
59		13172804		THRUST COLLAR				*		1	
60		SS8660610TP		SCREW 1/4-40 L=6				*		2	
61		SS6090620TP		SCREW						1	
62		SS6090630TP		SCREW 9/64-40 L=6						4	
63		11991908		UPPER LOOPER	FOR MO-6- 104D,MO-6116D					1	
64		12176103		UPPER LOOPER	FOR MO-6114D					1	
65		11999307		LOWER LOOPER						1	
66		11890001		TRAVELING NEEDLE GUARD						1	
67		40004692		UPPER LOOPER SHAFT A	SELECTIVE PARTS					1	
68		40004693		UPPER LOOPER SHAFT B	SELECTIVE PARTS					1	
69		40004694		UPPER LOOPER SH- AFT FRONT METAL	SELECTIVE PARTS					1	

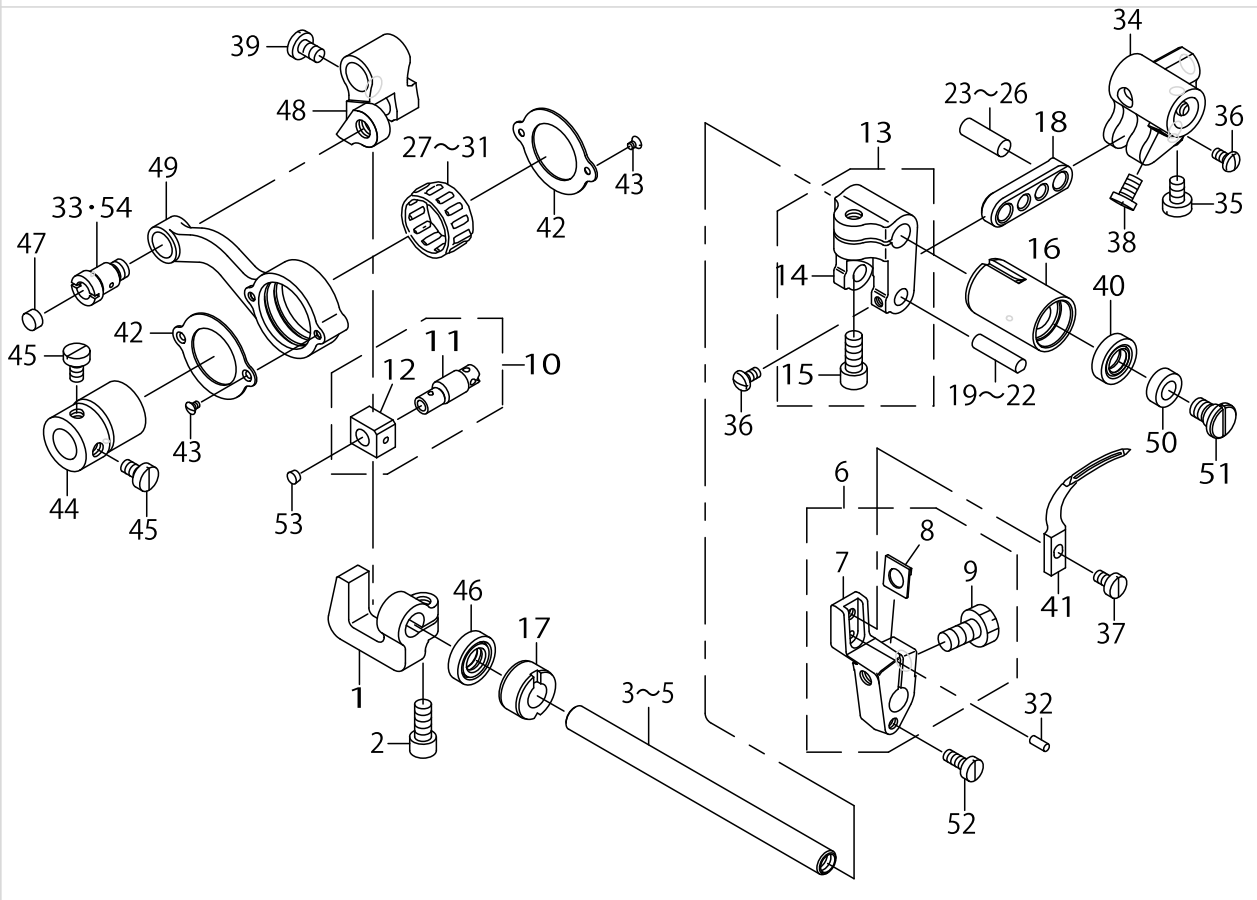
CHAIN LOOPER COMPONENTS (FOR MO-6116D)



CHAIN LOOPER COMPONENTS (FOR MO-6116D)

No.	Supply Code	Parts No.	Replacement	Parts name	Remarks	Choice	Step	Level	Cons	Qty	Rep. QTY
1		40004665		BRACKET						1	
2		SM6051202TP		SCREW M5X0.8 L=12						1	
3		40004666		CHAIN SHAFT A	SELECTIVE PARTS					1	
4		40004667		CHAIN SHAFT B	SELECTIVE PARTS					1	
5		40004668		CHAIN SHAFT C	SELECTIVE PARTS					1	
6		13129952		CHAIN LOOPER DRIVING ARM ASM.						1	
7	R	13129903	13129952	CHAIN LOOPER DRIVING ARM				*		1	1.00
8		13129309		WASHER				*		1	
9		SS9151210TP		SCREW 15/64-28 L=11.8				*		1	
10		40004671		CHAIN SLIDE BLOCK PIN ASM.						1	
11	R	40004672	40004671	CHAIN SHAFT SLIDE BLOCK PIN				*		1	1.00
12		40004674		CHAIN SLIDE BLOCK				*		1	
13		13125950		CHAIN LOOPER DRIVING ARM ASM.						1	
14		13125901		CHAIN LOOPER DRIVING ARM				*		1	
15		SM6051202TP		SCREW M5X0.8 L=12				*		1	
16		40004680		CHAIN SHAFT FRONT METAL						1	
17		40004681		CHAIN SHAFT REAR METAL						1	
18		13127105		CHAIN LOOPER SHAFT DRIV. LINK						1	
19		13126503		PIN LONG A	SELECTIVE PARTS					1	
20		13126602		PIN LONG B	SELECTIVE PARTS					1	
21		13126701		PIN LONG C	SELECTIVE PARTS					1	
22		13126800		PIN LONG D	SELECTIVE PARTS					1	
23		13127204		PIN SHORT A	SELECTIVE PARTS					1	
24		13127303		PIN SHORT B	SELECTIVE PARTS					1	
25		13127402		PIN SHORT C	SELECTIVE PARTS					1	
26		13127501		PIN SHORT D	SELECTIVE PARTS					1	
27		B2119816A00		BEARING A	SELECTIVE PARTS					1	
28		B2119816B00		BEARING B	SELECTIVE PARTS					1	
29		B2119816C00		BEARING C	SELECTIVE PARTS					1	
30		B2119816D00		BEARING D	SELECTIVE PARTS					1	
31	D	B2119816E00		BEARING E	SELECTIVE PARTS					1	
32		PS0250062KH		SPRING PIN 2.5X6						1	
33		40004685		CHAIN ROD STEP-SCREW A	SELECTIVE PARTS					1	
34	R	12121612	12121653	DRIVING BALL ARM BRACKET						1	1.00
35		SS6110710TP		SCREW 11/64-40 L=6.5						1	
36		SS4080620TP		SCREW 1/8-44 L=6						2	
37		SS6090620TP		SCREW						1	
38		SS6110710TP		SCREW 11/64-40 L=6.5						2	
39		SS7110720TP		SCREW 11/64-40 L=7						1	
40		40004682		OIL SEAL						1	
41		12120705		CHAIN LOOPER						1	
42		40004676		CHAIN ROD COVER						2	
43		SS2060320SP		SCREW 3/32-56 L=3.2						4	
44		40004684		CHAIN CAM						1	
45		SS6110710TP		SCREW 11/64-40 L=6.5						2	

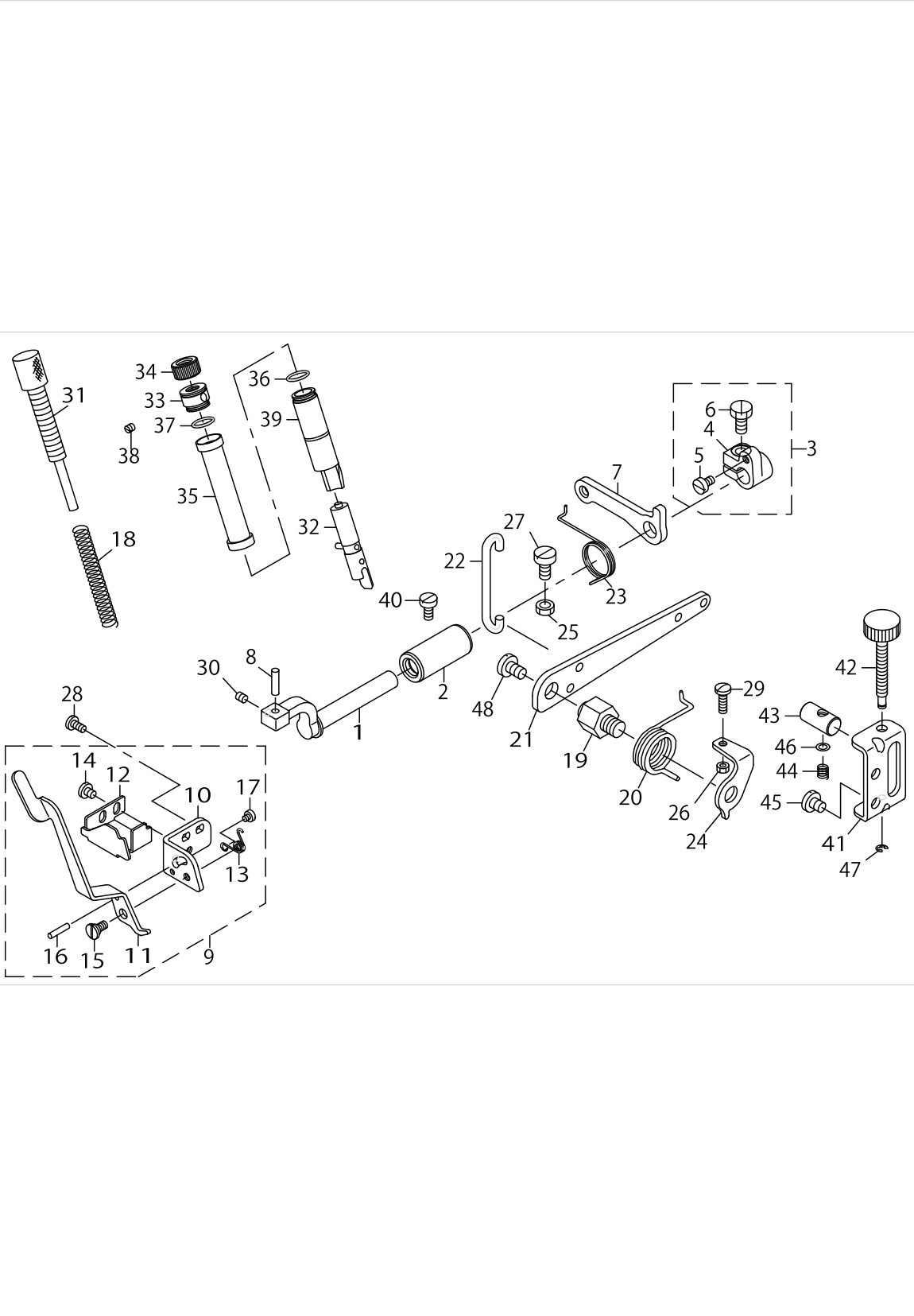
CHAIN LOOPER COMPONENTS (FOR MO-6116D)



CHAIN LOOPER COMPONENTS (FOR MO-6116D)

No.	Supply Code	Parts No.	Replacement	Parts name	Remarks	Choice	Step	Level	Cons	Qty	Rep. QTY
46		40004683		OIL SEAL						1	
47	R	11806304	13102702	PLUG						1	1.00
48		40004669		CHAIN FRONT-AND-REAR ARM						1	
49		40004675		CHAIN ROD						1	
50		13130109		ADJUSTING WASHER						1	
51		SD0720332SP		HINGE SCREW D=7.24 H=3.3						1	
52		SS6090920SP		SCREW						1	
53		TA0340201R0		PLUG D=3.4X3.9 L=2						1	
54		40004687		CHAIN ROD STEP-SCREW B	SELECTIVE PARTS					1	

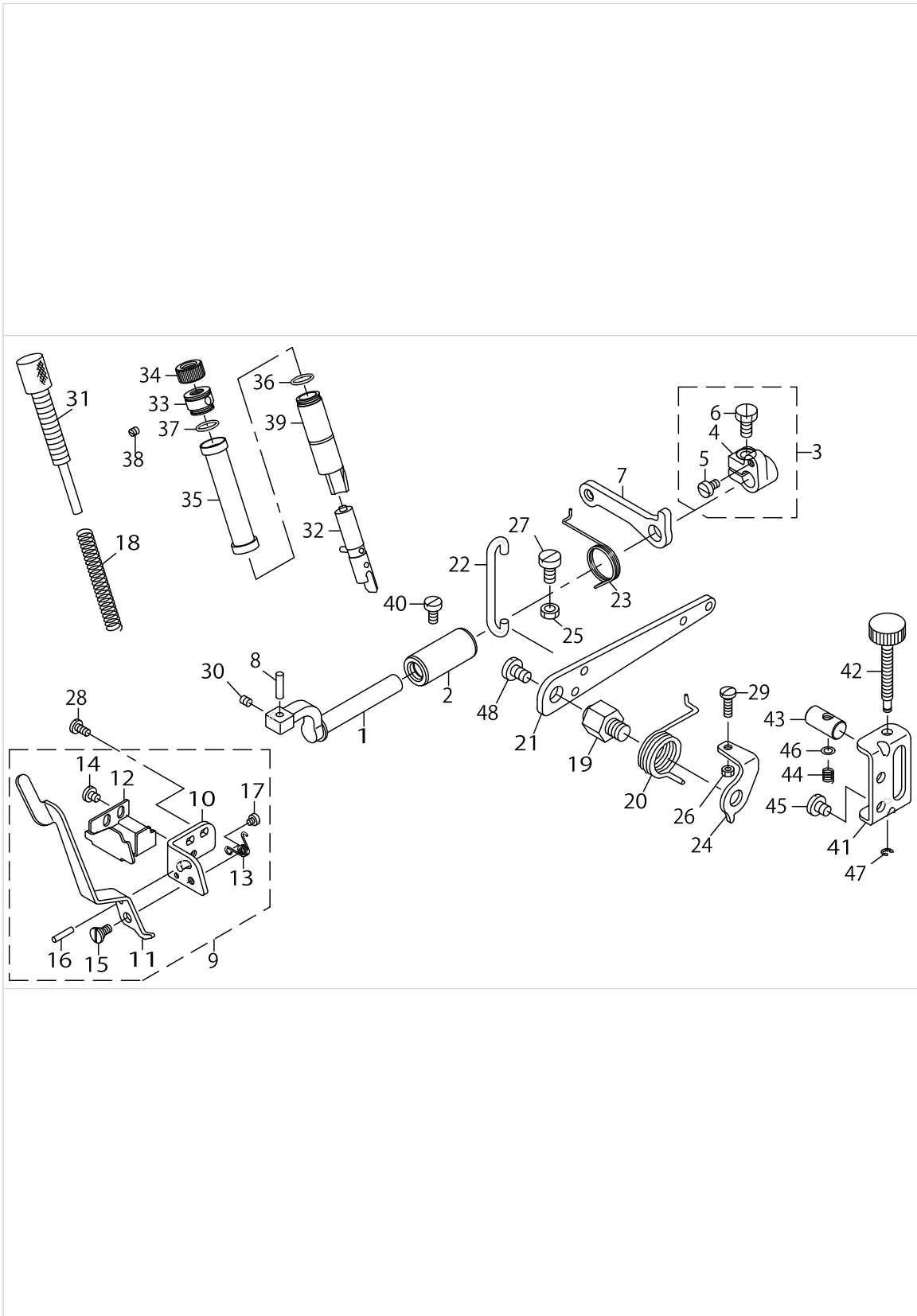
PRESSER FOOT COMPONENTS (1)



PRESSER FOOT COMPONENTS (1)

No.	Supply Code	Parts No.	Replacement	Parts name	Remarks	Choice	Step	Level	Cons	Qty	Rep. QTY
1		13115001		PRESSER FOOT SHAFT						1	
2		13115100		PRESSER FOOT SHAFT BUSHING						1	
3		13115258		THRUST ARM ASM.						1	
4	R	13115209	12113403	THRUST ARM				*		1	1.00
5		SS6110710TP		SCREW 11/64-40 L=6.5				*		1	
6		SS9151210TP		SCREW 15/64-28 L=11.8				*		1	
7		13116801		LIFTING ARM						1	
8		13115407		PRESSER FOOT ARM HINGE SHAFT						1	
9		13115753		PRESSER LIFTING LEVER BASE ASM						1	
10		13115803		PRESSER LIFTING LEVER BASE				*		1	
11		13115902		PRESSER LIFTING LEVER				*		1	
12		13116009		PRESSER ARM STOPPER				*		1	
13		13116108		PRESSER FOOT LIFTING SPRING				*		1	
14		SS7110510SP		SCREW 11/64-40 L=5				*		2	
15		SD0640241SP		HINGE SCREW D=6.35 H=2.4				*		1	
16		PS0300142KH		SPRING PIN 0.3X14				*		1	
17		SS6080340SP		SCREW 1/8-44 L=2.9				*		1	
18		13116207		PRESSER FOOT SPRING						1	
19		13117007		PRESSER LIFTING LEVER SCREW						1	
20		13116306		PRESSER LIFTING LEVER SPRING						1	
21		13116900		PRESSER LIFTING LEVER						1	
22		13116405		PRESSER LIFTING HOOK						1	
23		13116504		LIFTING LEVER ARM SPRING						1	
24		13116603		PRESSER LIFTING LEVER SPRING						1	
25		NM6060003SC		NUT M6						1	
26		NS6110420SP		NUT 11/64-40						1	
27		SM6061200SP		SCREW M6 L=12						1	
28		SS7110840SP		SCREW 11/64-40 L=7.8						2	
29		SS7111410TP		SCREW 11/64-40 L=14						1	
30		SM8050412TP		SCREW M5 L=4						1	
31	R	13212600	40034897	PRESSER REGULATOR SCREW						1	1.00
32		13115654		PRESSER BAR ASM.						1	
33		12288700		PRESSER REGULATOR SCREW WASHER						1	
34		13117106		PRESSER REGULATOR NUT						1	
35		13212709		PRESSER BAR COVER						1	
36		13170402		RUBBER RING						2	
37		13170402		RUBBER RING						1	
38		SM8040402TP		SCREW M4X0.7 L=4						1	
39		13212501		PRESSER BAR BUSHING						1	
40		SS6121020SP		SCREW 3/16-28 L=9.5						1	
41		13212808		ADJUSTING BASE						1	
42		13213012		ADJUSTING SCREW						1	
43		13212915		ADJUSTING BLOCK						1	
44		13123302		ADJUSTING SPRING						1	
45		SS7150740SP		SCREW 15/64-28 L=7						2	

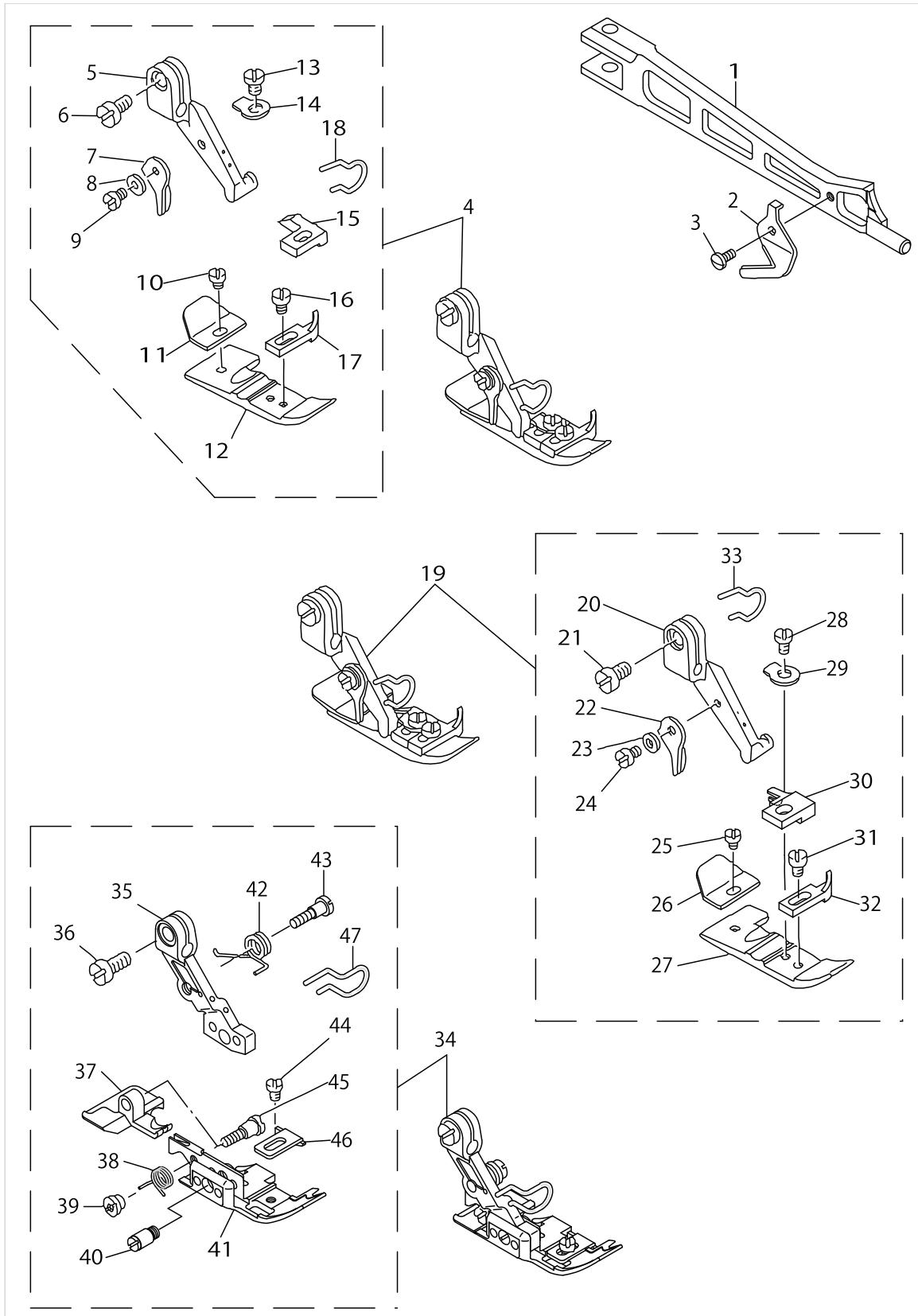
PRESSER FOOT COMPONENTS (1)



PRESSER FOOT COMPONENTS (1)

No.	Supply Code	Parts No.	Replacement	Parts name	Remarks	Choice	Step	Level	Cons	Qty	Rep. QTY
46		WP0460556SD		WASHER 4.6X7.5X0.5						1	
47		RE0300000K0		E-RING 3						1	
48		SS7161040SP		SCREW 1/4-24 L=9.5						1	

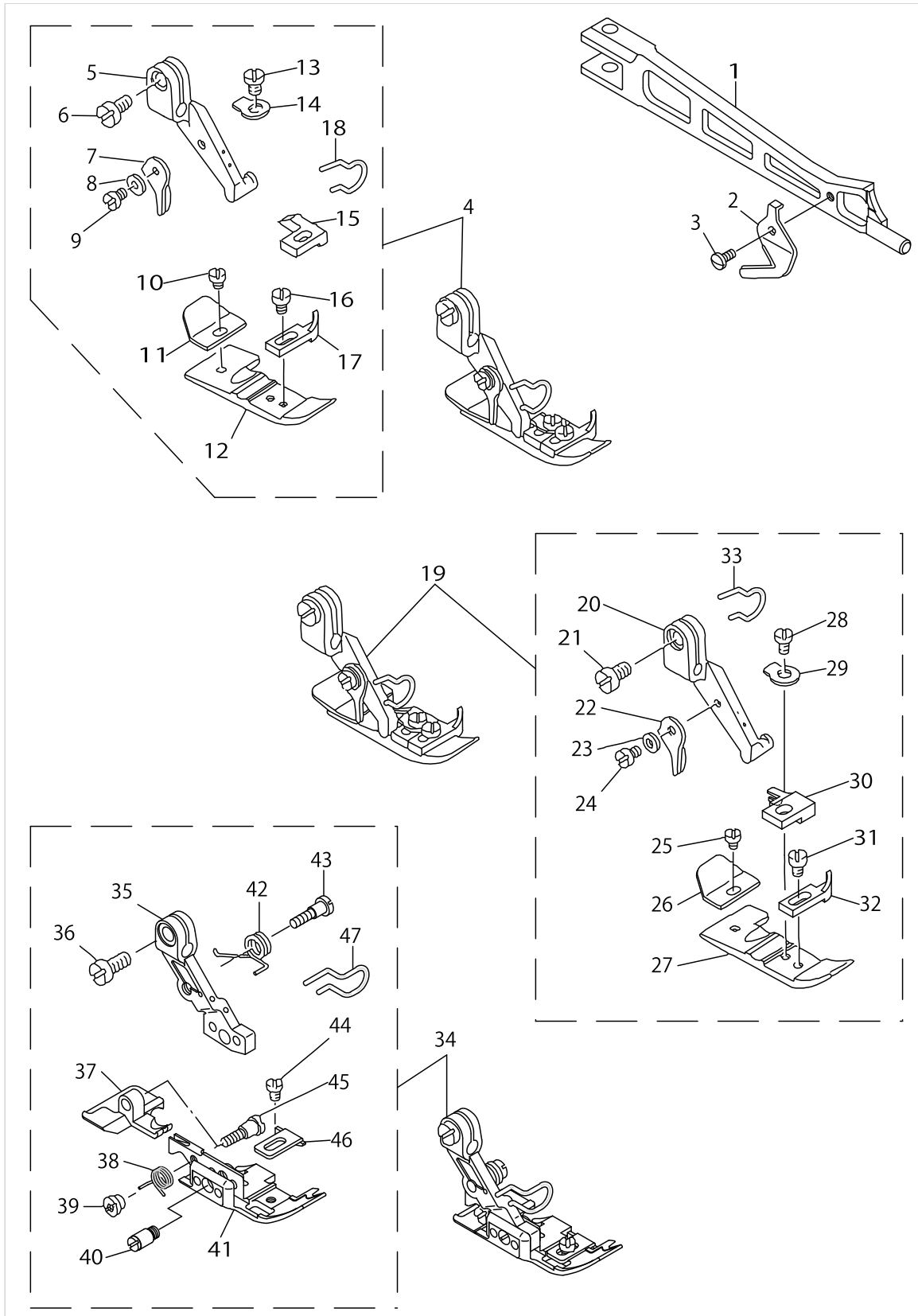
PRESSER FOOT COMPONENTS (2)



PRESSER FOOT COMPONENTS (2)

No.	Supply Code	Parts No.	Replacement	Parts name	Remarks	Choice	Step	Level	Cons	Qty	Rep. QTY
1		12253829		PRESSER FOOT ARM						1	
2		13116702		THREAD TRIMMER						1	
3		SS7060510SP		SCREW 3/32-56 L=4.8						1	
4	R	11876158	11876166	PRESSER FOOT ASM.	FOR MO-6104D					1	1.00
5		11872009		PRESSER FOOT HINGE				*		1	
6	R	SS6090650SP	SS6090670TP	SCREW 9/64-40 L=6				*		1	1.00
7		B1530804000		STOPPER				*		1	
8		WP0250516SD		WASHER 2.5X6X0.5				*		1	
9		SS7060610SP		SCREW 3/32-56 L=5.5				*		1	
10		SS6060210SP		SCREW 3/32-56 L=1.9				*		1	
11		B1511814000		REARPRESSERFOOT				*		1	
12		B1507804C00		PRESSER FOOT				*		1	
13		SS7080520SP		SCREW 1/8-44 L=4.9				*		1	
14		B150880400B		SPRING				*		1	
15		B1509804C00		STITCH TONGUE				*		1	
16		SS6060440TP		SCREW 3/32-56 L=3.5				*		1	
17		B1510814000		CURL GUARD				*		1	
18		13178306		FINGER GUIDE				*		1	
19	R	11876851	11876869	PRESSER FOOT ASM.	FOR MO-6114D					1	1.00
20		11872009		PRESSER FOOT HINGE				*		1	
21	R	SS6090650SP	SS6090670TP	SCREW 9/64-40 L=6				*		1	1.00
22		B1530804000		STOPPER				*		1	
23		WP0250516SD		WASHER 2.5X6X0.5				*		1	
24		SS7060610SP		SCREW 3/32-56 L=5.5				*		1	
25		SS6060210SP		SCREW 3/32-56 L=1.9				*		1	
26		B1511814000		REARPRESSERFOOT				*		1	
27		B150781400P		PRESSER FOOT				*		1	
28		SS7080520SP		SCREW 1/8-44 L=4.9				*		1	
29		B150880400B		SPRING				*		1	
30		B150981400P		STITCH TONGUE				*		1	
31		SS6060440TP		SCREW 3/32-56 L=3.5				*		1	
32		B1510814000		CURL GUARD				*		1	
33		13178306		FINGER GUIDE				*		1	
34	R	12153755	12153763	PRESSER FOOT ASM.	FOR MO-6116D					1	1.00
35		12156907		PRESSER FOOT HINGE				*		1	
36	R	SS6090650SP	SS6090670TP	SCREW 9/64-40 L=6				*		1	1.00
37	R	12164802	12153763	REARPRESSERFOOT				*		1	1.00
38		12167805		SPRING. FOR REAR PRESSER FOOT				*		1	
39		B1513816000		NUT FOR REAR PRESSER FOOT				*		1	
40		12167409		HINGE PIN				*		1	
41	R	12162202	12153763	PRESSER FOOT				*		1	1.00
42		12167607		PRESSER FOOT ARM SPRING				*		1	
43		B1514816000		SCREW				*		1	
44		SS6060340SP		SCREW 3/32-56 L=2.5				*		1	
45		12167508		HINGE SCREW				*		1	
46		12167706		PRESSER FOOT				*		1	

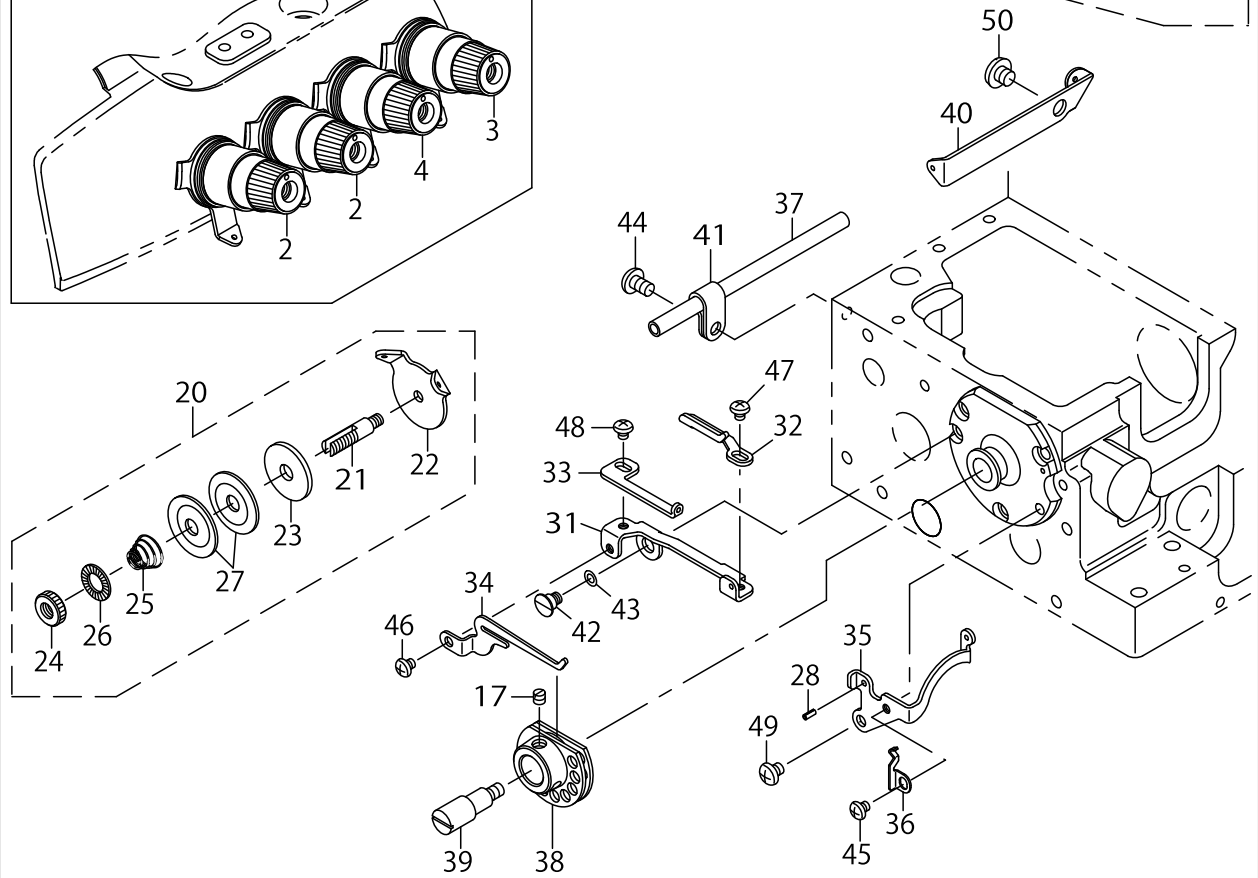
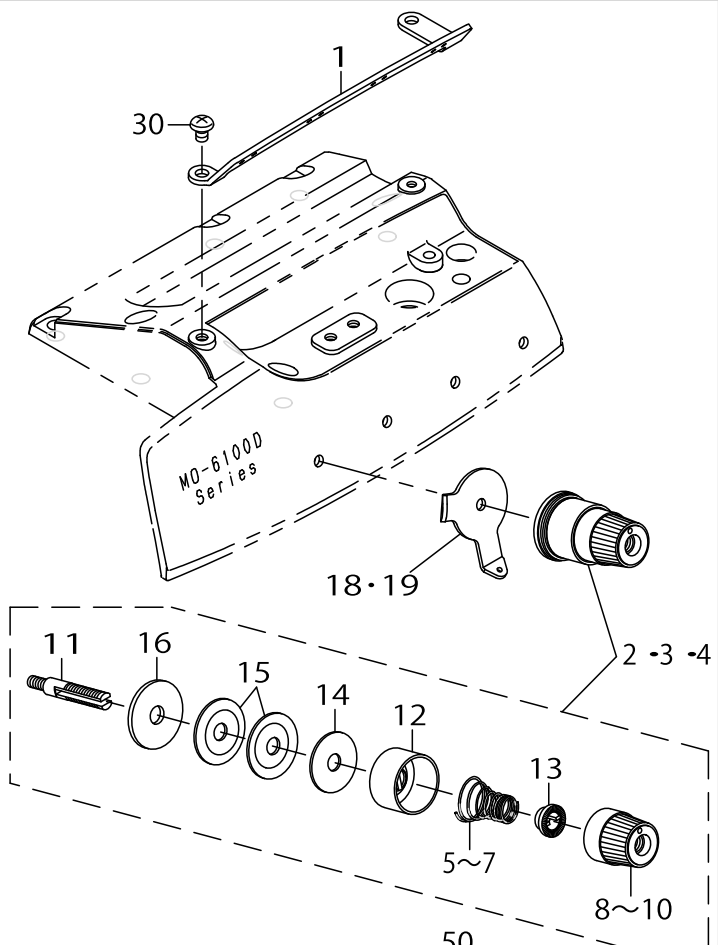
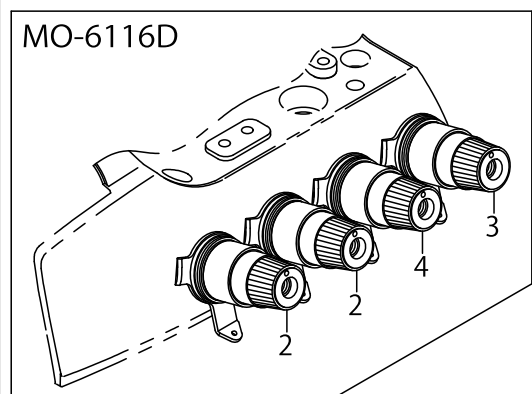
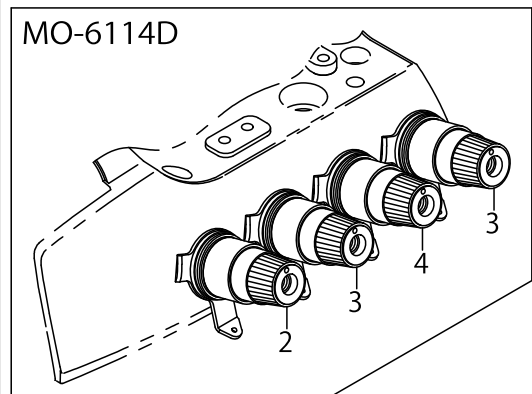
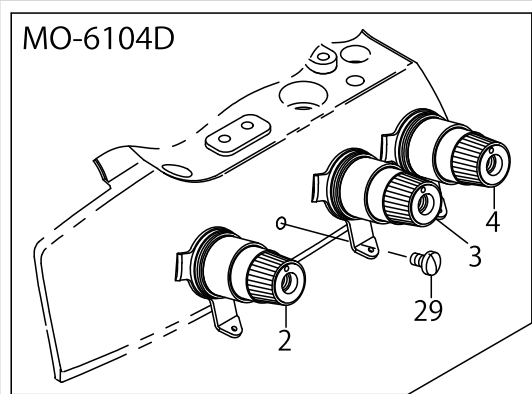
PRESSER FOOT COMPONENTS (2)



PRESSER FOOT COMPONENTS (2)

No.	Supply Code	Parts No.	Replacement	Parts name	Remarks	Choice	Step	Level	Cons	Qty	Rep. QTY
47		13178405		FINGER GUIDE				*		1	

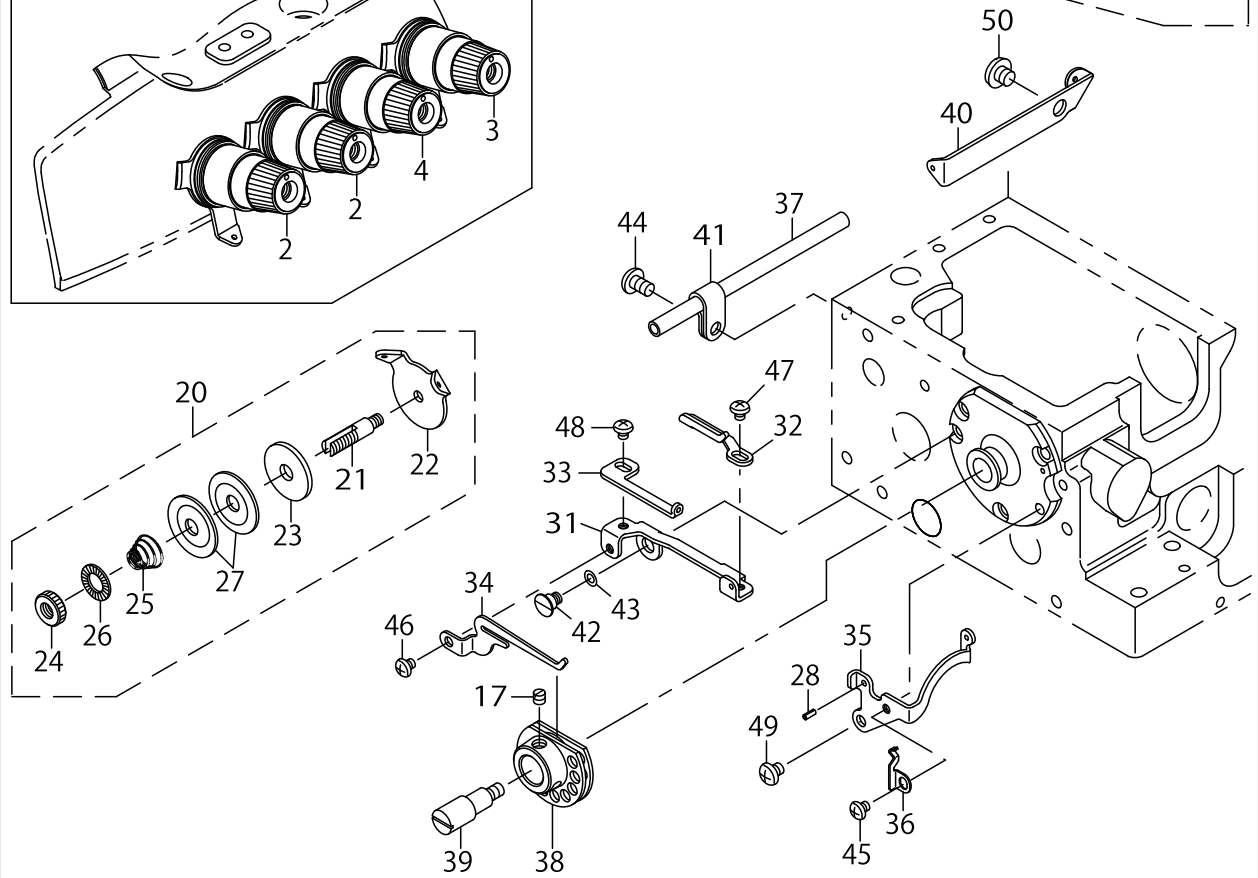
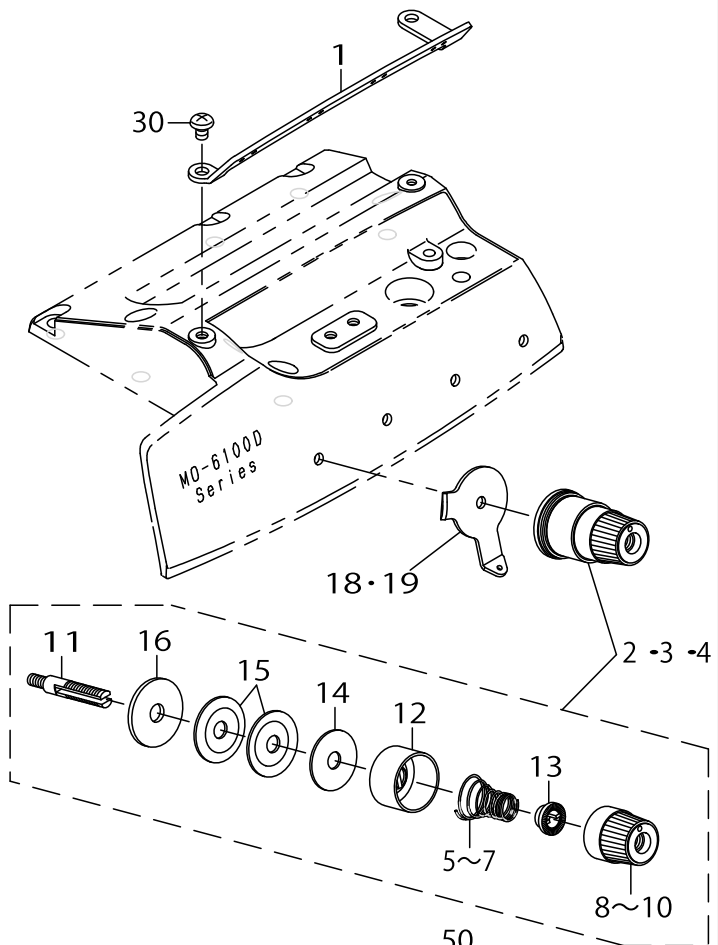
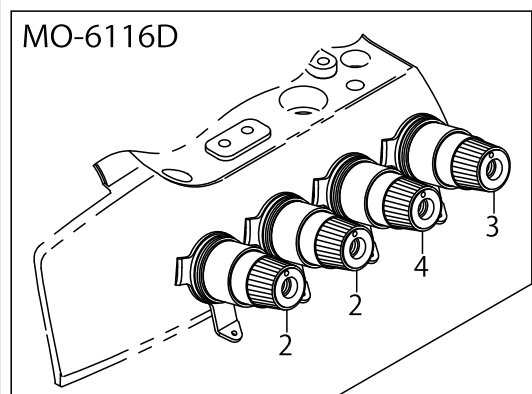
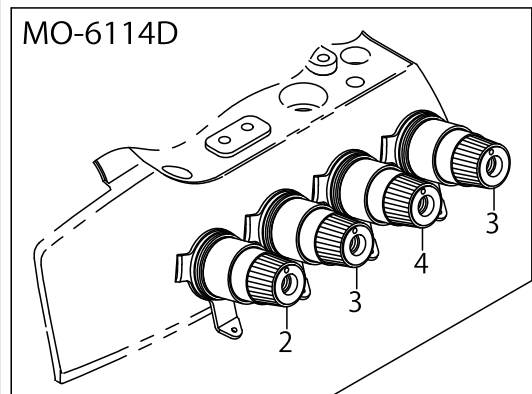
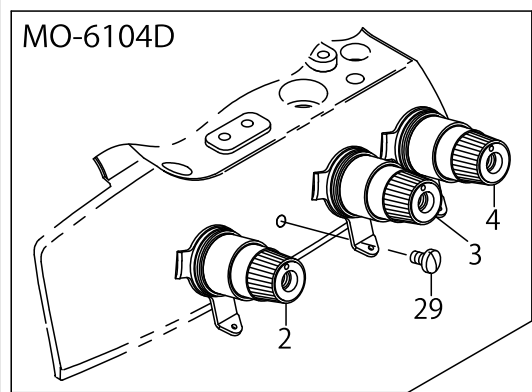
THREAD TENSION COMPONENTS



THREAD TENSION COMPONENTS

No.	Supply Code	Parts No.	Replacement	Parts name	Remarks	Choice	Step	Level	Cons	Qty	Rep. QTY
1		40004731		CENTER THREAD GUIDE						1	
2		13137559		THREAD TENSION SPRING COMPL.	FOR MO-6-116D(2 PC. ARE USED.)					1	
3		13138359		THREAD TENSION SPRING COMPL.	FOR MO-6-104D(1 PC. IS USED.) FOR MO-6-114D(2 PC. ARE USED.)					1	
4		13138656		THREAD TENSION SPRING COMPL.						1	
5		13137807		THREAD TENSION SPRING RED				*		1	
6		13138508		THREAD TENSION SPRING YELLOW				*		1	
7		13138805		THREAD TENSION SPRING BLUE				*		1	
8		13137708		THREAD TENSION KNOB RED				*		1	
9		13138409		THREAD TENSION KNOB YELLOW				*		1	
10		13138706		THREAD TENSION KNOB BLUE				*		1	
11	R	13138904	13137559	THREAD TENSION BAR		A	A:	*		1	1.00
11	R	13138904	13138359	THREAD TENSION BAR		B	B:	*		1	1.00
11	R	13138904	13138656	THREAD TENSION BAR		C	C:	*		1	1.00
12		13137609		THREAD TENSION DISK PRESSER				*		1	
13		13137906		SPRING BUSHING				*		1	
14		13138102		THREAD TENSION SPRING FELT				*		1	
15		13138201		THREAD TENSION DISK				*		2	
16		13138003		THREAD TENSION RUBBER WASHER				*		1	
17		SS8110410TP		SCREW 11/64-40 L=3.5	FOR MO-6116D					2	
18		13225107		TESION DISK THREAD GUIDE	FOR MO-6104D					3	
19		13225107		TESION DISK THREAD GUIDE	FOR MO-6-114D,MO-6116D					4	
20		13139555		THREAD TENSION POST CONPL.	FOR MO-6116D					1	
21	R	13140009	13139555	THREAD TENSION POST				*		1	1.00
22		13139605		TESION DISK THREAD GUIDE				*		1	
23		13139902		THREAD TENSION SPRING FELT				*		1	
24		13139803		THREAD TENSION NUT				*		1	
25		13139704		THREAD TENSION SPRING				*		1	
26		22921407		ROTATION STOPPER				*		1	
27		13138201		THREAD TENSION DISK				*		2	
28		PS0200052KH		SPRING PIN 2.3X5	FOR MO-6116D					1	
29		SS7110710SL		SCREW 11/64-40 L=7.0	FOR MO-6104D					1	
30		SS4110615SP		SCREW 11/64-40 L=6						2	
31		13128202		THREAD CAM THRE-AD GUIDE BASE	FOR MO-6116D					1	
32		13128301		THREAD CAM THREAD GUIDE A	FOR MO-6116D					1	
33		13128400		THREAD CAM THREAD GUIDE B	FOR MO-6116D					1	
34		13128509		LOWER THREAD CAM HOOK	FOR MO-6116D					1	
35		13128608		LOWER THREAD GUIDE	FOR MO-6116D					1	
36		13128707		THREAD GUIDE BASE SPRING	FOR MO-6116D					1	
37	R	13128905	B2401816000	LOWER THREAD GUIDE TUBE	FOR MO-6116D					1	1.00
38		13129457		LOWER THREAD CAM COMPL.	FOR MO-6116D					1	
39		13130000		LOWER THREAD CAM SHAFT	FOR MO-6116D					1	

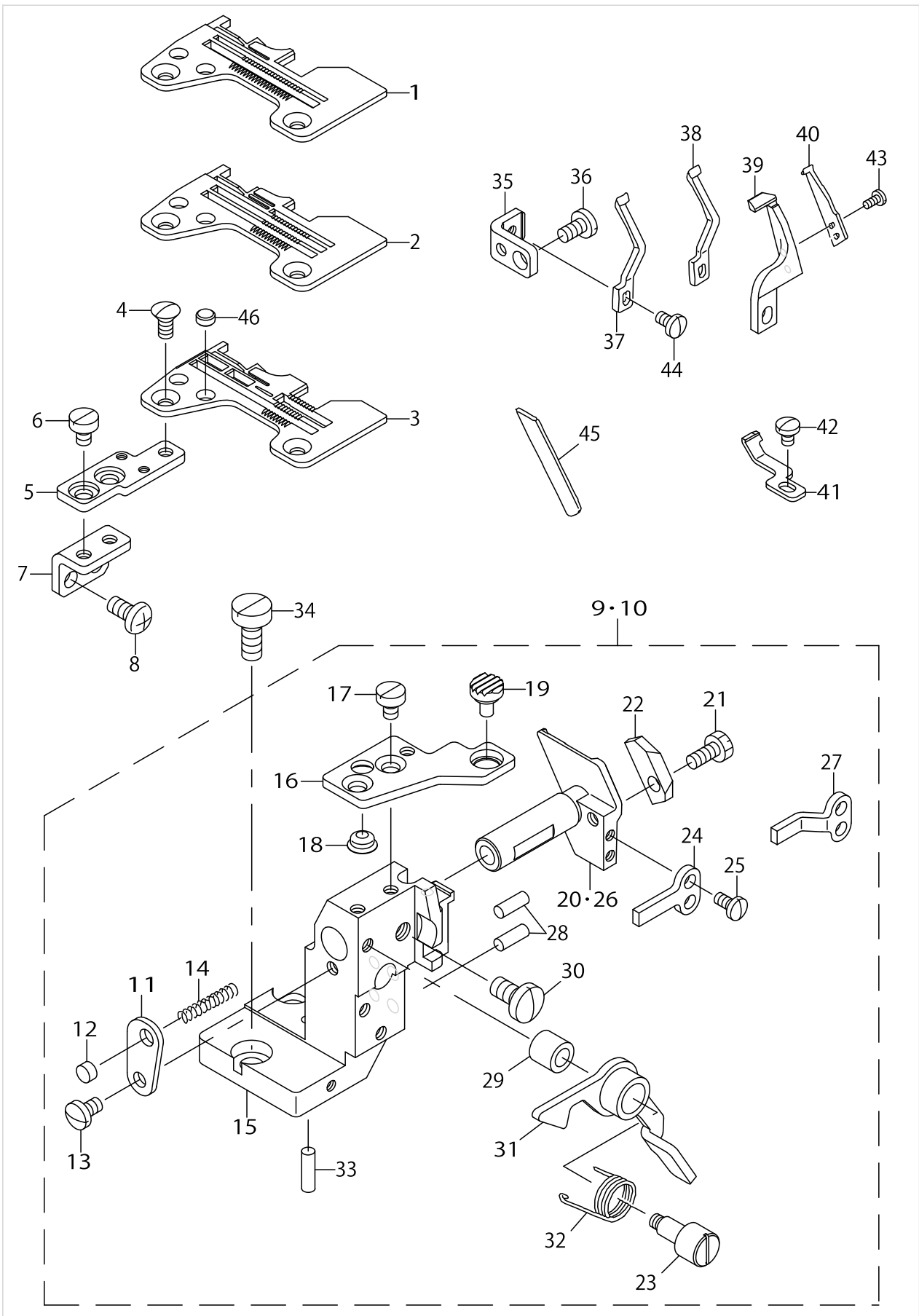
THREAD TENSION COMPONENTS



THREAD TENSION COMPONENTS

No.	Supply Code	Parts No.	Replacement	Parts name	Remarks	Choice	Step	Level	Cons	Qty	Rep. QTY
40		13129101		LOWER THREAD CONDUIT GUIDE	FOR MO-6116D					1	
41	R	B3113352000	13129259	MOUNTING BRACKET	FOR MO-6116D					1	1.00
42		SD0600341TP		HINGE SCREW D=6.0 H=3.4	FOR MO-6116D					1	
43		WZ0640312K0		WAVED WASHER	FOR MO-6116D					1	
44		SM4050855SP		SCREW M5 L=8	FOR MO-6116D					1	
45		SS4090415SP		SCREW 9/64-40 L=4	FOR MO-6116D					1	
46		SS4090415SP		SCREW 9/64-40 L=4	FOR MO-6116D					1	
47		SS4090415SP		SCREW 9/64-40 L=4	FOR MO-6116D					1	
48		SS4090415SP		SCREW 9/64-40 L=4	FOR MO-6116D					1	
49		SS4110515SP		SCREW 11/64-40 L=5	FOR MO-6116D					1	
50		SS5150510SP		SCREW 15/64-28 L=5	FOR MO-6116D					1	

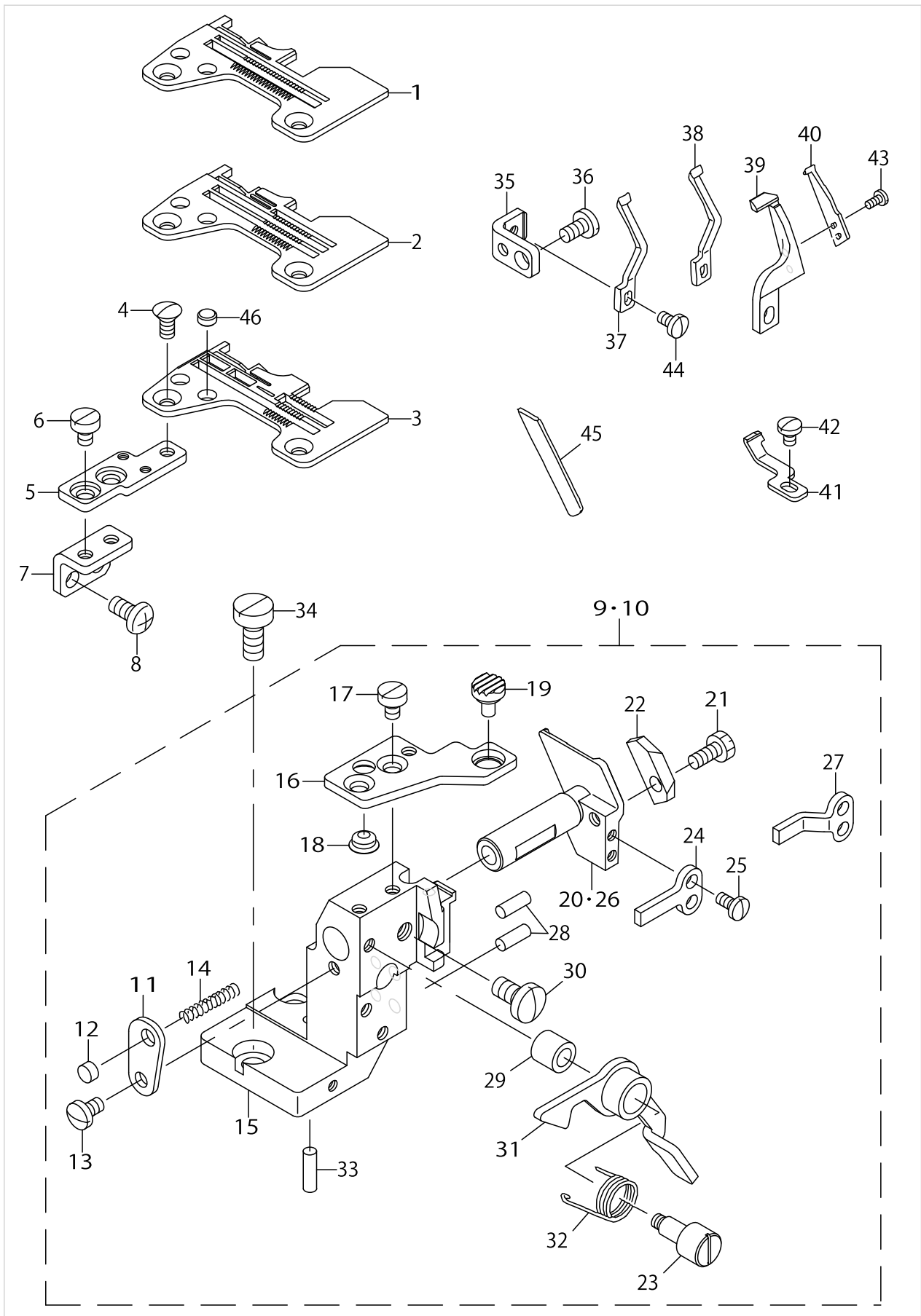
LOWER KNIFE COMPONENTS



LOWER KNIFE COMPONENTS

No.	Supply Code	Parts No.	Replacement	Parts name	Remarks	Choice	Step	Level	Cons	Qty	Rep. QTY
1		R4200J6ED00		THROAT PLATE	FOR MO-6104D					1	
2		R4305J6EE00		THROAT PLATE	FOR MO-6114D					1	
3		R4508J6ED00		THROAT PLATE	FOR MO-6116D					1	
4		SS2110910SL		SCREW 11/64-40 L=9						2	
5		13151204		THROAT PLATE BASE B						1	
6		SS6110610TP		SCREW 11/64-40 L=6						2	
7		12288908		THROAT PLATE BASE B SUPPORT						1	
8		SM4051055SP		SCREW						2	
9		13232657		LOWER KNIFE BRACKET ASM.	FOR MO-6-104D,MO-6114D					1	
10		13232756		LOWER KNIFE BRACKET ASM.	FOR MO-6116D					1	
11	R	12133211	13149307	SPRING STOPPER				*		1	1.00
12	R	11806304	13102702	PLUG				*		1	1.00
13		SS7110720SP		SCREW 11/64-40 L=7				*		1	
14		11846607		SPRING				*		1	
15	R	12132619	13232657	LOWER KNIFE BRACKET				*		1	1.00
16		12102208		THROAT PLATE BASE A				*		1	
17		SS6110610TP		SCREW 11/64-40 L=6				*		2	
18		12103701		RUBBER PLUG B				*		1	
19		13235304		RUBBER PLUG A				*		1	
20	R	12132700	13149505	LOWER KNIFE SLIDE STUD	FOR MO-6-104D,MO-6114D			*		1	1.00
21		SS9111010SP		SCREW 11/64-40 L=9.5				*		1	
22	R	12133104	13149208	LOWER KNIFE PRESSER PLATE				*		1	1.00
23	R	12102810	13148408	LEVER SHAFT				*		1	1.00
24	R	12132908	13149703	ROTATING STOPPER	FOR MO-6-104D,MO-6114D			*		1	1.00
25		SS7090710SP		SCREW 9/64-40 L=6.8				*		2	
26	R	12132809	13149604	LOWER KNIFE SLIDE STUD	FOR MO-6116D			*		1	1.00
27		12133005		ROTATING STOPPER	FOR MO-6116D			*		1	
28	R	12133708	12133666	HOLDER PIN		B		*		2	1.00
28	R	12133708	12377586	HOLDER PIN		D		*		2	1.00
28	R	12133708	12377560	HOLDER PIN		F		*		2	1.00
28	R	12133708	12377552	HOLDER PIN		G		*		2	1.00
28	R	12133708	13232657	HOLDER PIN		H		*		2	1.00
28	R	12133708	13232756	HOLDER PIN		I		*		2	1.00
28	R	12133708	13232657	HOLDER PIN				*		2	1.00
28	R	12133708	12257267	HOLDER PIN				*		2	1.00
29	R	12103107	13148903	RUBBER PLUG				*		1	1.00
30		SS7151120SP		SCREW 15/64-28L=11				*		1	
31	R	12102950	13148556	LEVER ASM.				*		1	1.00
32		11802006		LEVER SPRING				*		1	
33		11846805		HOLDER PIN				*		1	
34		SS6151440SP		SCREW 15/64-28L=14				*		2	
35		13151105		NEEDLE HOLDER SUPPORT				*		1	

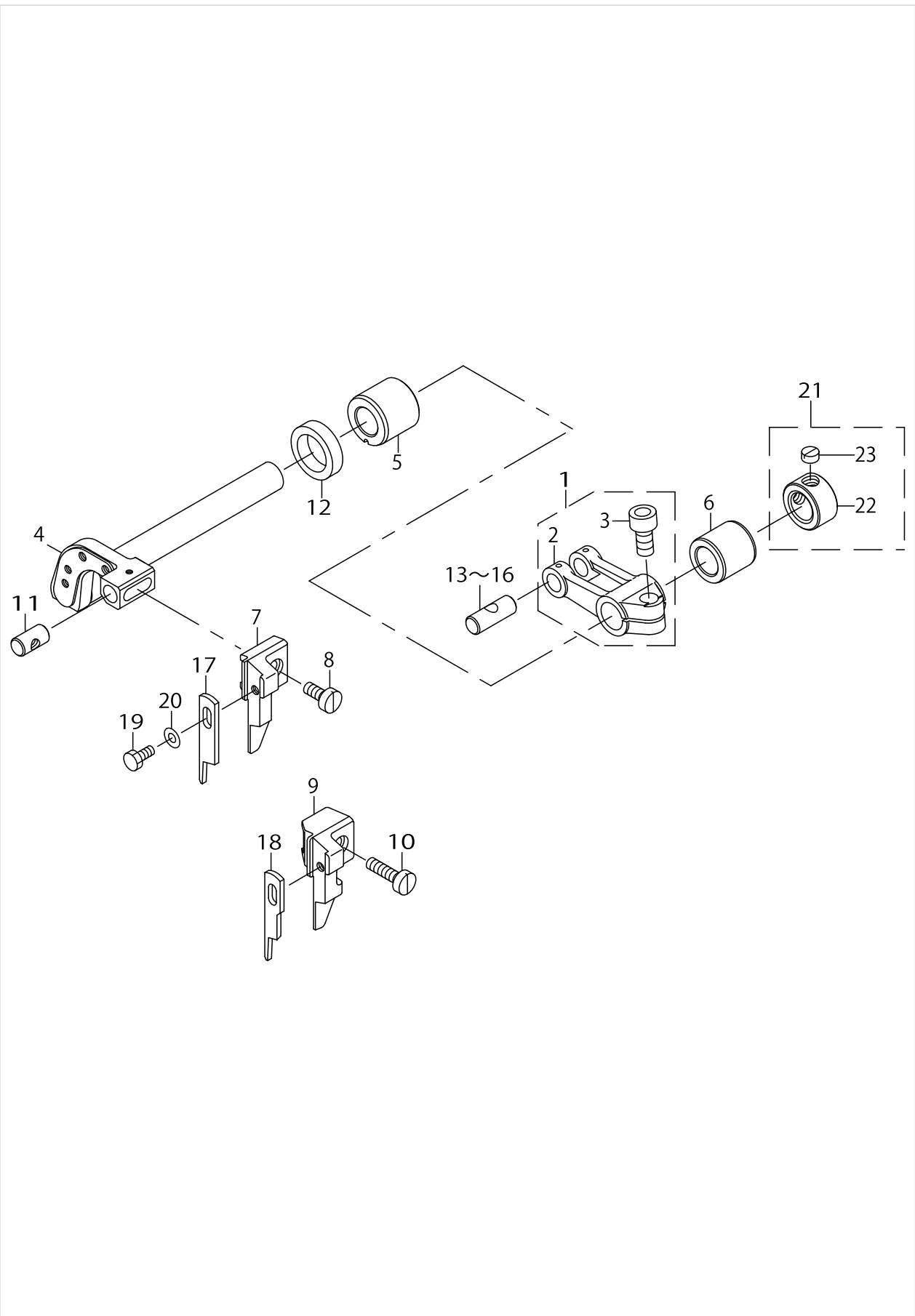
LOWER KNIFE COMPONENTS



LOWER KNIFE COMPONENTS

No.	Supply Code	Parts No.	Replacement	Parts name	Remarks	Choice	Step	Level	Cons	Qty	Rep. QTY
36		SS7110840SP		SCREW 11/64-40 L=7.8						1	
37		11890100		NEEDLE GUARD	FOR MO-6104D					1	
38		11890308		NEEDLE GUARD	FOR MO-6114D					1	
39		12015301		NEEDLE HOLDER	FOR MO-6116D					1	
40		12015400		NEEDLE HOLDER	FOR MO-6116D					1	
41		12177903		NEEDLE HOLDER	FOR MO-6116D					1	
42		SS7090510SP		SCREW 9/64-40 L=4.6	FOR MO-6116D					1	
43		SS7060510SP		SCREW 3/32-56 L=4.8	FOR MO-6116D					2	
44		SS7090610SP		SCREW 9/64-40 L=6						1	
45		13150701		LOWER KNIFE						1	
46		13102702		THROAT PLATE COVER						2	

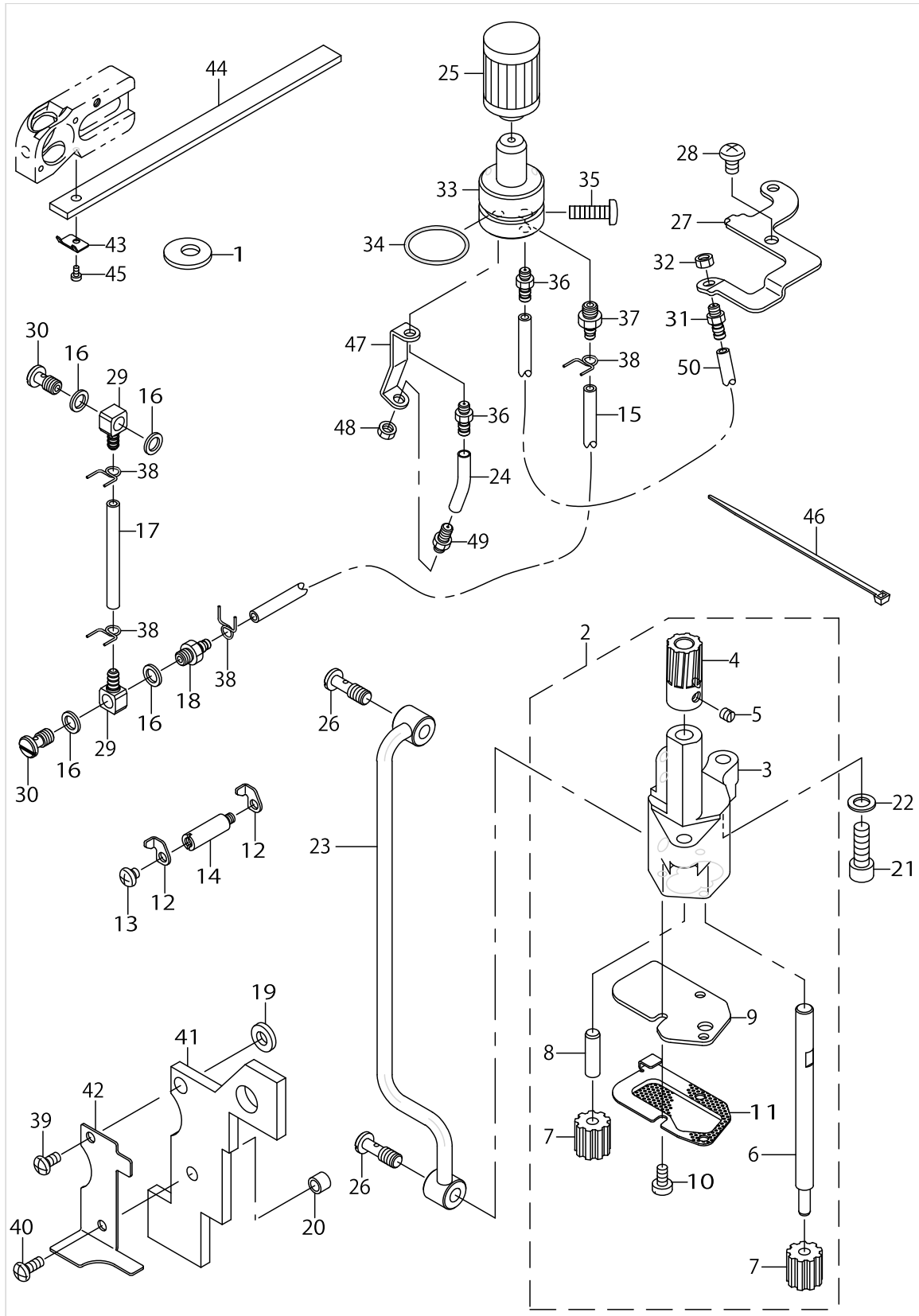
UPPER KNIFE COMPONENTS



UPPER KNIFE COMPONENTS

No.	Supply Code	Parts No.	Replacement	Parts name	Remarks	Choice	Step	Level	Cons	Qty	Rep. QTY
1		13147558		FEED FORKED ARM ASM.						1	
2	R	13147509	13147558	FEED FORKED ARM				*		1	1.00
3		SM6061402TP		SCREW M6 L=14				*		1	
4		13151303		KNIFE DRIVING ARM SHAFT						1	
5		13150909		BUSHING FRONT						1	
6		13151006		BUSHING REAR						1	
7		13147400		PLAIN KNIFE SUPPORT A	FOR MO-6-104D,MO-6114D					1	
8		SS6111040SP		SCREW 11/64-40 L=9.5	FOR MO-6-104D,MO-6114D					1	
9		13147301		PLAIN KNIFE SUPPORT	FOR MO-6116D					1	
10		SS6111610SP		SCREW 11/64-40 L=16	FOR MO-6116D					1	
11		13150800		UPPER KNIFE GUIDE SHAFT						1	
12		11566809		OIL SEAL						1	
13		13122007		CRANK PIN A	SELECTIVE PARTS					1	
14		13122106		CRANK PIN B	SELECTIVE PARTS					1	
15		13122205		CRANK PIN C	SELECTIVE PARTS					1	
16		13122304		CRANK PIN D	SELECTIVE PARTS					1	
17		13150503		PLAIN KNIFE	FOR MO-6-104D,MO-6114D					1	
18		13150602		PLAIN KNIFE	FOR MO-6116D					1	
19		SS9090823TP		BOLT 9/64-40 L=8						1	
20		WP0370316SD		WASHER 3.7X8X0.3						1	
21	R	13172655	CS111101HSH	THRUST COLLAR ASM.						1	1.00
22		13172606		THRUST COLLAR				*		1	
23		SS8660330SP		SCREW 1/4-40 L=3.0				*		2	

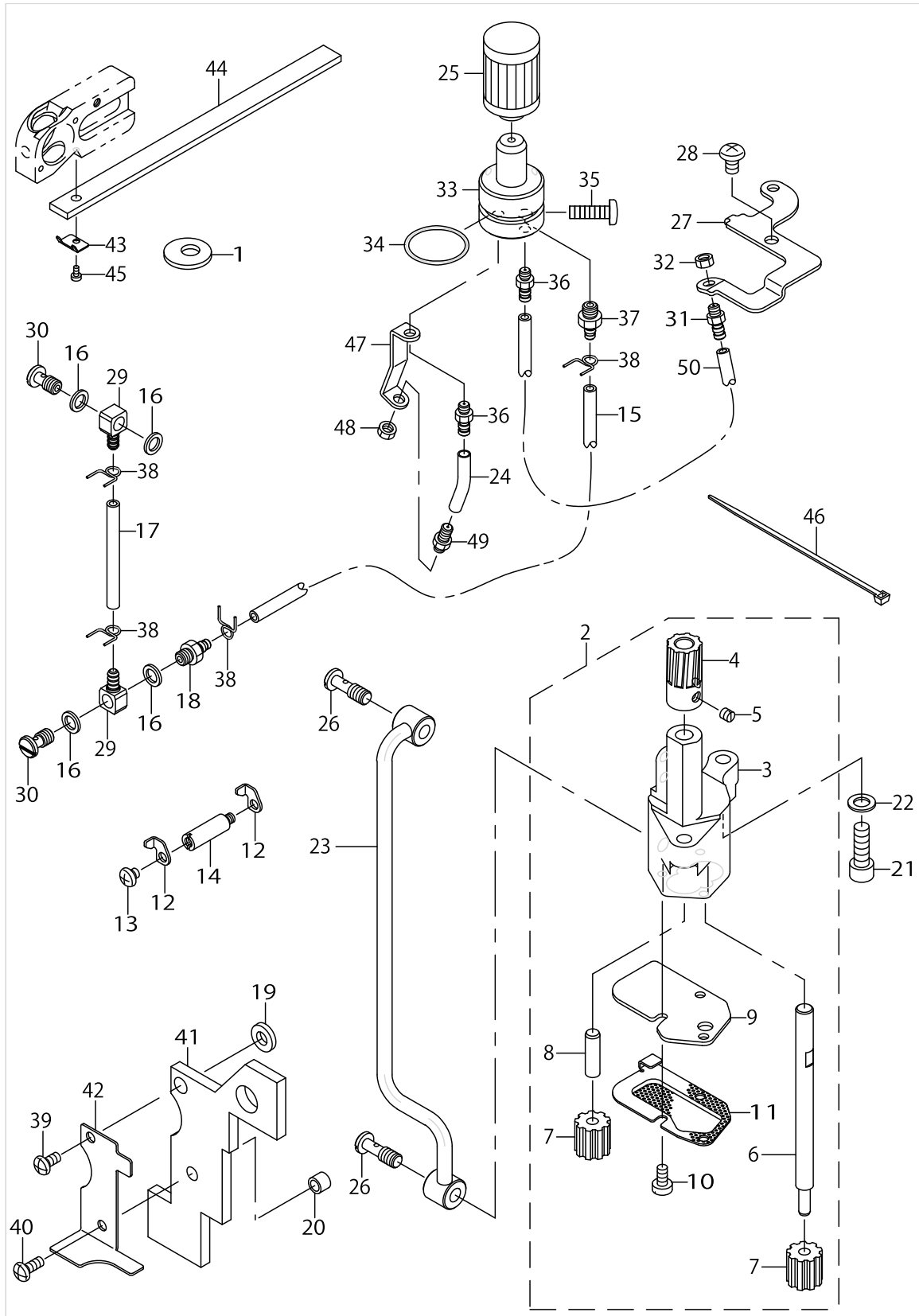
LUBRICATION MECHANISM COMPONENTS



LUBRICATION MECHANISM COMPONENTS

No.	Supply Code	Parts No.	Replacement	Parts name	Remarks	Choice	Step	Level	Cons	Qty	Rep. QTY
1		40004750		UPPER LOOPER ROOM HOLE FELT						1	
2		40024112		OIL PUMP COMPL.						1	
3		40004738		LUBRICATION PUMP BODY				*		1	
4	R	40004739	40004737	WORM GEAR				*		1	1.00
5		SS8110410TP		SCREW 11/64-40 L=3.5				*		2	
6		40004740		LUBRICATION PUMP SHAFT (LARGE)				*		1	
7		11840303		OIL PUMP PINION				*		2	
8	D	11840402		GEAR PUMP SHAFT				*		1	
9		40018264		PUMP COVER				*		1	
10		SS6090810SP		SCREW 9/64-40 L=7.5				*		3	
11		40018263		PUMP NET				*		1	
12		13228903		OIL FELT PRESSER						2	
13		31018005		SCREW						1	
14		13229000		FELT PRESSER SPACER						1	
15		BP30000010R		VINYL PIPE						.25	
16		40004749		GASCKET						4	
17		BP30000010R		VINYL PIPE						.05	
18		SQ1150451MZ		CONNECTING SCREW						1	
19		B3013141H0A		WASHER						1	
20		B4122804000		ROLLER						1	
21		SM6061802TP		SCREW M6 L=18						2	
22		WP0651056SD		WASHER 6.5X11X1						2	
23		40004743		LUBRICATION PIPE ASM.						1	
24		BP30000010R		VINYL PIPE						.03	
25		13142500		CARTRIDGE FILTER						1	
26		SQ1150454SD		CONNECTING SCREW						2	
27	D	13143805		EXHAUST PORT SUPPORT						1	
28		SM4050855SP		SCREW						1	
29		SQ0000451MZ		CONNECTING SCREW						2	
30		SQ1150441SD		CONNECTING SCREW						2	
31		SQ1110451MZ		CONNECTING SCREW						1	
32		NS6110310SP		NUT 11/64-40						1	
33		13142955		FILTER GUIDE ASM.						1	
34		13170808		RUBBER RING						1	
35		SM4051601SC		SCREW M5X0.8 L=16						1	
36		SQ1110451MZ		CONNECTING SCREW						2	
37		SQ1150451MZ		CONNECTING SCREW						1	
38		13142609		OIL TUBE HOLDER						4	
39		SM4040855SP		SCREW						1	
40		SM4041055SP		SCREW						1	
41		40004748		NEEDLE LUBRICATION FELT						1	
42		40004747		FELT PRESSER						1	
43		13143607		OIL FELT PRESSER						1	
44		40004746		UPPER LOOPER LUBRICATION FELT						1	
45		SS6060440TP		SCREW 3/32-56 L=3.5						1	

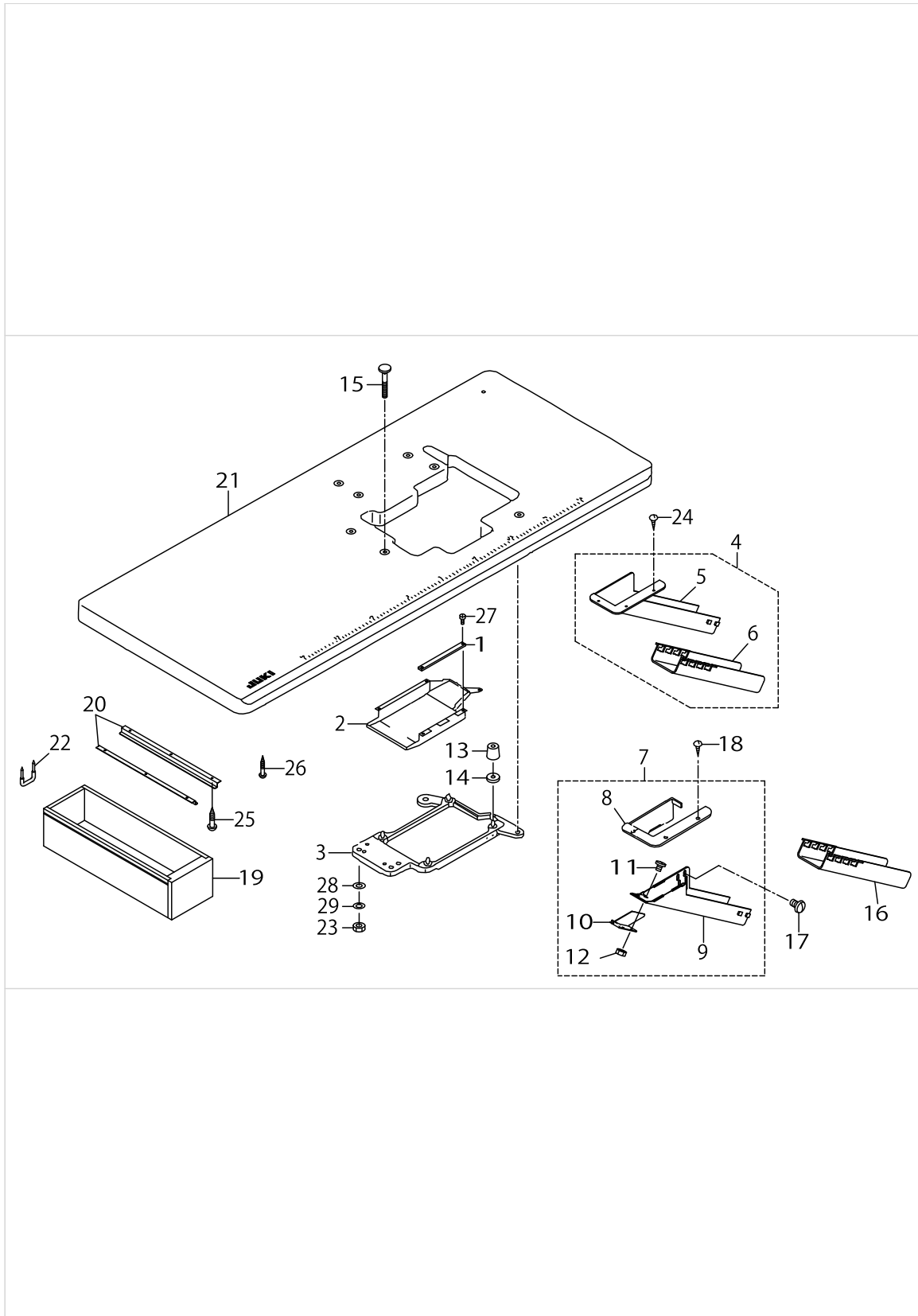
LUBRICATION MECHANISM COMPONENTS



LUBRICATION MECHANISM COMPONENTS

No.	Supply Code	Parts No.	Replacement	Parts name	Remarks	Choice	Step	Level	Cons	Qty	Rep. QTY
46		EA9500B0100		CABLE BAND						1	
47		13229208		WORM EXHAUST PORT GUIDE						1	
48		NS6110310SP		NUT 11/64-40						1	
49		SQ1110451MZ		CONNECTING SCREW						1	
50		23630007		TUBE						.17	

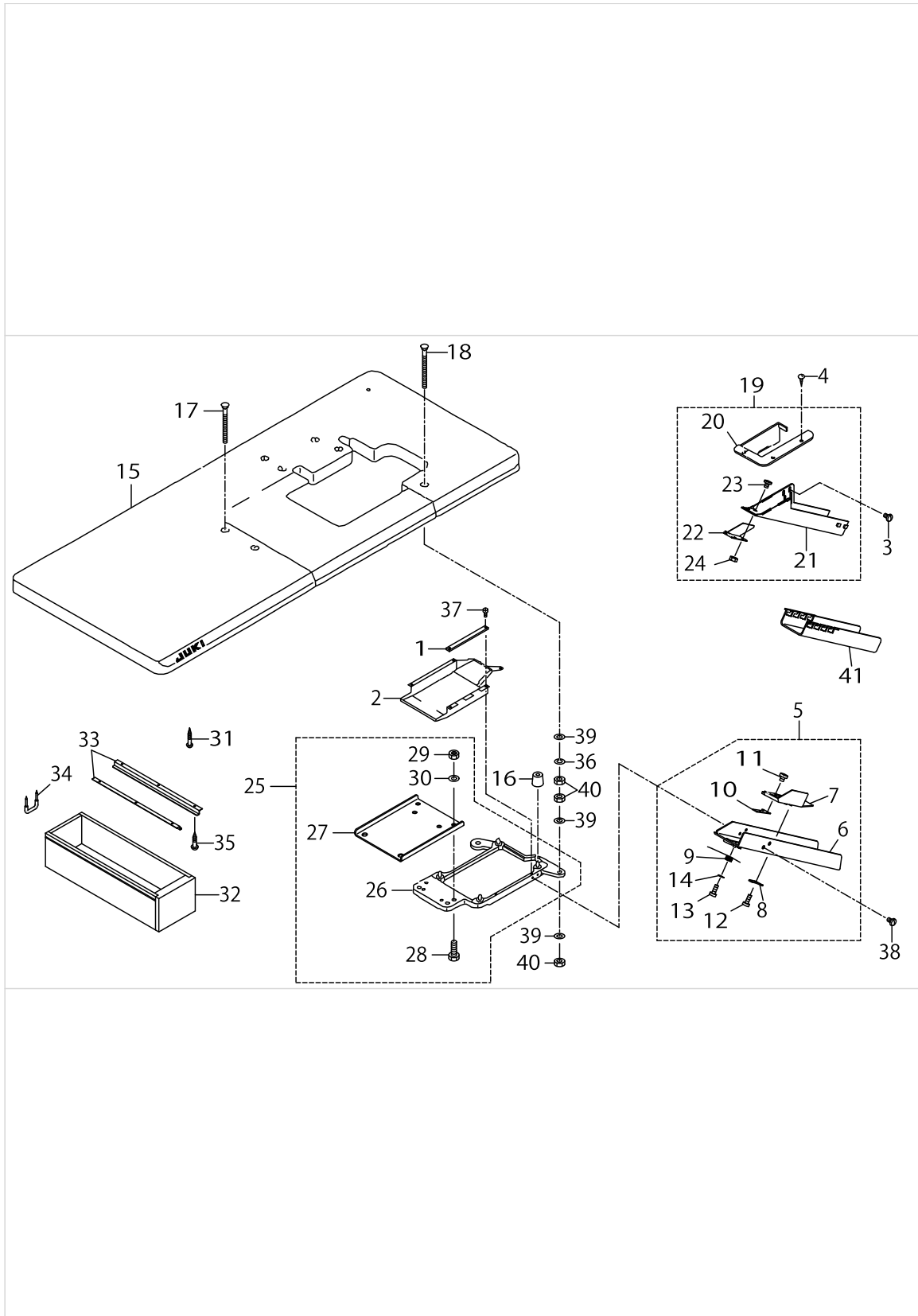
SEMI-SUNKEN TYPE TABLE COMPONENTS



SEMI-SUNKEN TYPE TABLE COMPONENTS

No.	Supply Code	Parts No.	Replacement	Parts name	Remarks	Choice	Step	Level	Cons	Qty	Rep. QTY
1		13161005		CASE SPONGE						1	
2		13160908		VOOLING FAN CASE						1	
3		13161153		FRAME SUPPORT PLATE ASM.						1	
4		12341954		CLOTH WASTE CHUTE ASM.	EXCEPT JE					1	
5		12341905		CLOTH WASTE CHUTE(SEMI-SUNKEN)				*		1	
6		12341806		CLOTH WASTE CHUTE				*		1	
7		13155759		CLOTH WASTE CHUTE ASM.	FOR JE					1	
8	R	13155601	13155759	CLOTH WASTE CHUTE INLET				*		1	1.00
9	R	13155700	13155759	CLOTH WASTE CHUTE UPPER				*		1	1.00
10		13155502		CHUTE SUPPORT				*		1	
11		SS5090610SP		SCREW 9/64-40 L=6				*		3	
12		NS6090310SP		NUT 9/64-40				*		3	
13		13155403		DUST-PROOF RUBBER						4	
14		13156500		DUST-PROOF RUBBER SPACER						4	
15		13155007		HOLDING PLATE BOLT						4	
16		12341806		CLOTH WASTE CHUTE	FOR JE					1	
17		SS5110710SP		SCREW 11/64-40 L=7	FOR JE					2	
18		SK2351600SC		WOOD SCREW D=3.5 L=16	FOR JE					3	
19	R	11155108	11155157	DRAWER						1	1.00
20		11155207		DRAWER SUPPORT						2	
21		11959400		TABLE (SEMI-SUNKEN)						1	
22		D8204555D00		DRAWER STOPPER						1	
23		NS6240630SE		NUT 3/8-18						4	
24		SK2351600SC		WOOD SCREW D=3.5 L=16	EXCEPT JE					3	
25	D	SK3311500SC		WOOD SCREW D=3.1 L=15						6	
26	R	SK3513200SC	SK3513201SE	WOOD SCREW D=5.1 L=32						4	1.00
27		SS6090630TP		SCREW 9/64-40 L=6						5	
28		WP1002036SE		WASHER 10X21X2						4	
29		WS1002560KR		SPRING WASHER 10X18X2.5						4	

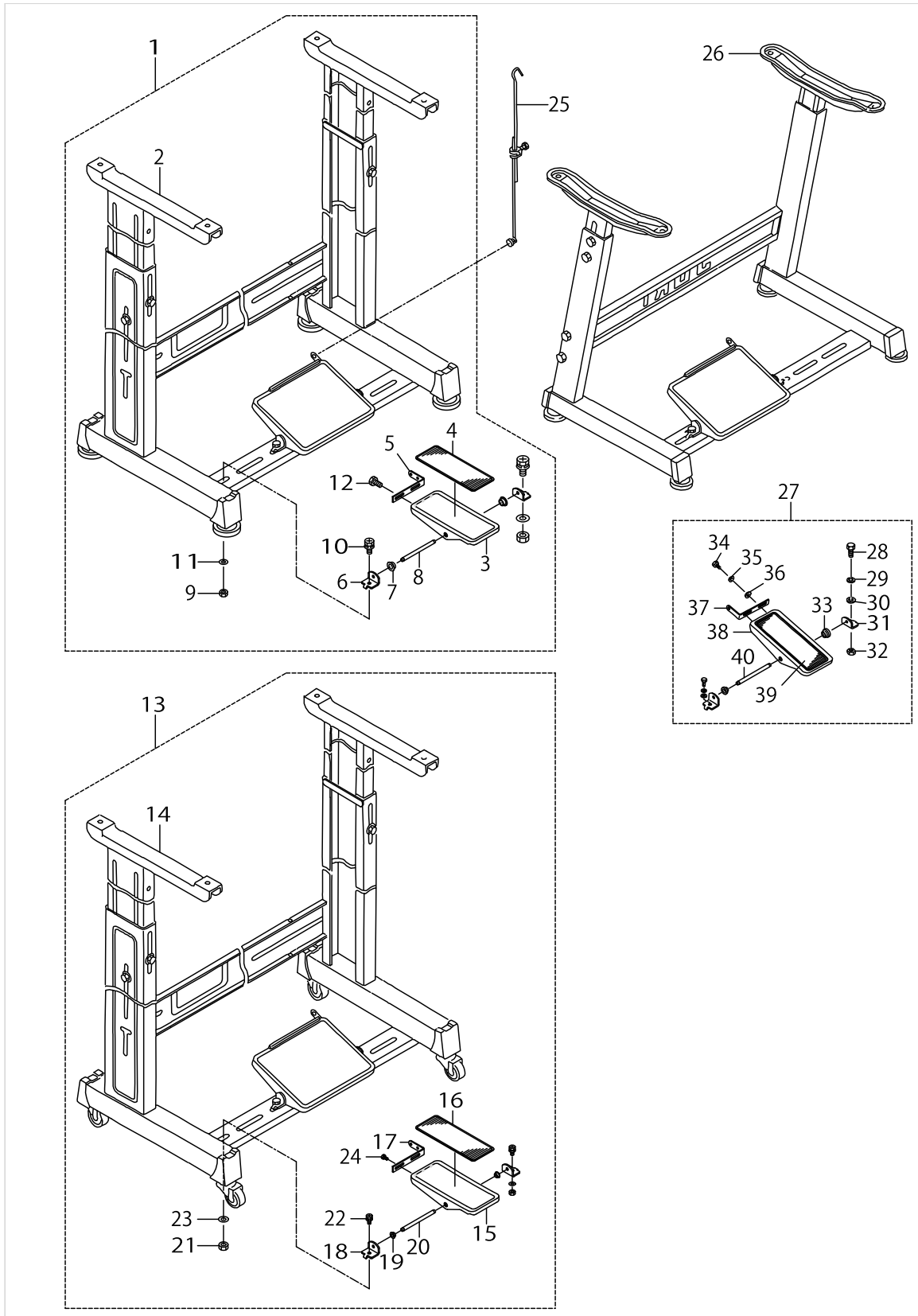
FULLY-SUNKEN TYPE TABLE COMPONENTS



FULLY-SUNKEN TYPE TABLE COMPONENTS

No.	Supply Code	Parts No.	Replacement	Parts name	Remarks	Choice	Step	Level	Cons	Qty	Rep. QTY
1		13161005		CASE SPONGE						1	
2		13160908		COOLING FAN CASE						1	
3		SS5110710SP		SCREW 11/64-40 L=7	FOR JE					2	
4		SK2351600SC		WOOD SCREW D=3.5 L=16	FOR JE					3	
5		13155858		CLOTH WASTE CHUTE ASM.	EXCEPT JE					1	
6	R	13156203	13155858	CLOTH WASTE CHUTE				*		1	1.00
7	R	13156302	13155858	CLOTH WASTE CHUTE INLET				*		1	1.00
8	R	13155908	13155858	CHUTE INLET LEVER				*		1	1.00
9	R	13156005	13155858	CHUTE INLET SPRING				*		1	1.00
10	R	13156104	13155858	CHUTE INLET RUBBER				*		1	1.00
11		SS6090420SP		SCREW 9/64-40 L=4.0				*		2	
12		ST60308210A		SCREW D=3-24 L=8				*		2	
13		ST60308210A		SCREW D=3-24 L=8				*		1	
14		WP0370316SD		WASHER 3.7X8X0.3				*		1	
15		11959558		TABLE ASM.						1	
16		13155403		DUST-PROOF RUBBER						4	
17		13155106		HOLDING PLATE BOLT C						2	
18		13155205		HOLDING PLATE BOLT D						2	
19		13155759		CLOTH WASTE CHUTE ASM.	FOR JE					1	
20	R	13155601	13155759	CLOTH WASTE CHUTE INLET				*		1	1.00
21	R	13155700	13155759	CLOTH WASTE CHUTE UPPER				*		1	1.00
22		13155502		CHUTE SUPPORT				*		1	
23		SS5090610SP		SCREW 9/64-40 L=6				*		3	
24		NS6090310SP		NUT 9/64-40				*		3	
25		11849379		FRAME SUPPORT PLATE ASM.						1	
26	R	11849361	13161153	FRAME SUPPORT PLATE ASM.				*		1	1.00
27		13155304		FRAME HOLDING P-LATE COUPLING				*		1	
28		SM9082513CF		SCREW M8 L=25				*		4	
29		NM6080600SM		NUT M8				*		4	
30		WP0850002SC		WASHER 8.5X18X1.6				*		4	
31	R	SK3513200SC	SK3513201SE	WOOD SCREW D=5.1 L=32						4	1.00
32	R	11155108	11155157	DRAWER						1	1.00
33		11155207		DRAWER SUPPORT						2	
34		D8204555D00		DRAWER STOPPER						1	
35	D	SK3311500SC		WOOD SCREW D=3.1 L=15						6	
36		WS1002560KR		SPRING WASHER 10X18X2.5						4	
37		SS6090630TP		SCREW 9/64-40 L=6						5	
38		SS5110710SP		SCREW 11/64-40 L=7	EXCEPT JE					2	
39		WP1002036SE		WASHER 10X21X2						12	
40		NS6240630SE		NUT 3/8-18						12	
41		12341806		CLOTH WASTE CHUTE	FOR JE					1	

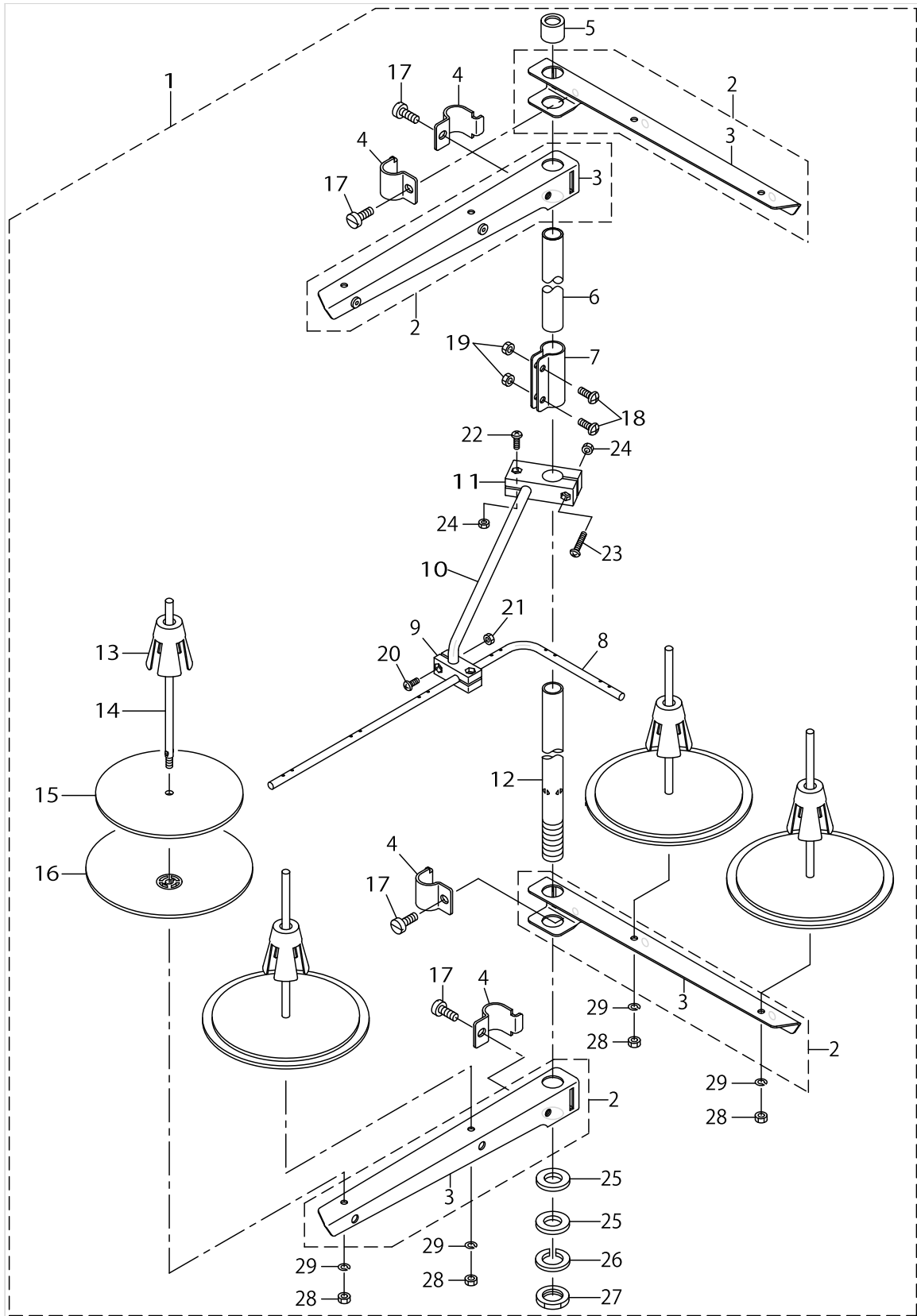
STAND COMPONENTS (ZAET)



STAND COMPONENTS (ZAET)

No.	Supply Code	Parts No.	Replacement	Parts name	Remarks	Choice	Step	Level	Cons	Qty	Rep. QTY
1		11960655		T STAND JUNCTION						1	
2		11157567		T LEG JUNCTION				*		1	
3	R	GPF06060000	GPF060600A0	PEDAL				*		1	1.00
4		GPF06070000		PEDAL MAT				*		1	
5		GPF06080000		PEDAL ADJUSTING PLATE				*		1	
6		11159001		PEDAL SHAFT BRACKET				*		2	
7		D8113555B00		PEDAL BUSHING				*		2	
8		B8153771000		PEDAL CONNECTING ROD				*		1	
9		NM6080001SE		NUT M8				*		2	
10		SL9082091SE		WASHER HEXAGONAL BOLT				*		2	
11		WP0871602SE		WASHER 8.7X18X1.6				*		2	
12		SL9061291SE		WASHER HEXAGONAL BOLT M6 L=12				*		2	
13	R	11960754	11159407	T STAND JUNCTION(WITHCASTER)		A				1	4.00
13	R	11960754	11960655	T STAND JUNCTION(WITHCASTER)		A				1	1.00
14		11159365		T STAND JUNCTION				*		1	
15	R	GPF06060000	GPF060600A0	PEDAL				*		1	1.00
16		GPF06070000		PEDAL MAT				*		1	
17		GPF06080000		PEDAL ADJUSTING PLATE				*		1	
18		11159001		PEDAL SHAFT BRACKET				*		2	
19		D8113555B00		PEDAL BUSHING				*		2	
20		B8153771000		PEDAL CONNECTING ROD				*		1	
21		NM6080001SE		NUT M8				*		2	
22		SL9082091SE		WASHER HEXAGONAL BOLT				*		2	
23		WP0871602SE		WASHER 8.7X18X1.6				*		2	
24		SL9061291SE		WASHER HEXAGONAL BOLT M6 L=12				*		2	
25		B71140120A0		MOTOR CONNECTING ROD ASM.						1	
26	D	11151065		Z LEG JUNCTION (B)						1	
27	D	B81517710A0		PEDAL ASM.						1	
28		SM9082023SE		SCREW M8 L=20				*		2	
29		WS0861410KR		SPRING WASHER 8.6X15X1.4				*		2	
30		WP0871602SE		WASHER 8.7X18X1.6				*		4	
31		11151909		PEDAL SHAFT BRACKET				*		2	
32		NM6080721SE		NUT M8				*		2	
33		D8113555B00		PEDAL BUSHING				*		2	
34		SM9061203SE		SCREW M6 L=12				*		2	
35		WS0621210KR		SPRING WASHER 6.2X11.4X1.2				*		2	
36		WP0671016SE		WASHER 6.7X13X1				*		2	
37	D	11246600		PEDAL ADJUSTING PLATE				*		1	
38	D	11246501		PEDAL				*		1	
39		B8152771000		PEDAL MAT				*		1	
40		B8153771000		PEDAL CONNECTING ROD				*		1	

THREAD STAND COMPONENTS (FOR MO-6104D,MO-6114D)



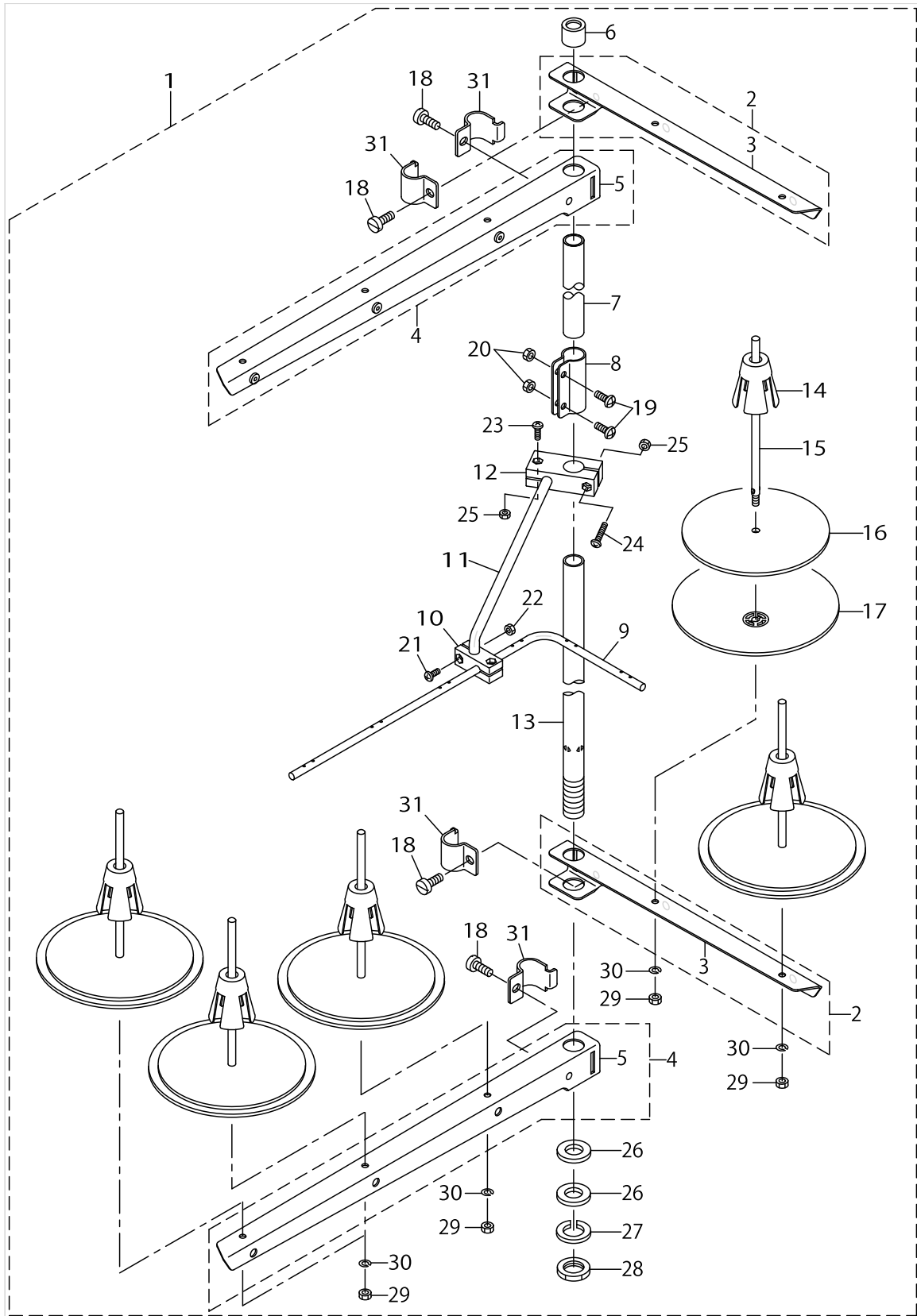
THREAD STAND COMPONENTS (FOR MO-6104D,MO-6114D)

No.	Supply Code	Parts No.	Replacement	Parts name	Remarks	Choice	Step	Level	Cons	Qty	Rep. QTY
1	R	13167556	40106584	THREAD STANDING DEVICE ASM.						1	1.00
2	R	22930556	40096354	SPOOL REST ARM ASM.				*		4	1.00
3	R	22930507	40096354	SPOOL REST ARM				*		1	1.00
4	R	22930705	40096354	THREAD GUIDE ARM JOINT				*		4	1.00
5		22931406		THREAD STANDING ROD RUBBER CAP				*		1	
6	R	22930408	40096354	THREAD STANDING ROD UPPER				*		1	1.00
7	R	22931307	40096354	THREAD STANDING ROD JOINT				*		1	1.00
8	R	13167903	26910059	THREAD STANDING THREAD GUIDE				*		1	1.00
9	D R	13168000	26910059	THREAD STANDING GUIDE BASE				*		1	1.00
10	R	13168109	26910059	THREAD STANDING GUIDE ARM				*		1	1.00
11	R	13168208	26910059	THREAD STANDING GUIDE ARM BASE				*		1	1.00
12	R	22930309	40096354	THREAD STANDING ROD LOWER				*		1	1.00
13	R	22931109	40085791	SPOOL RETAINER				*		4	1.00
14	R	22931000	40085790	SPOOL PIN				*		4	1.00
15		22930903		SPOOL REST CUSHION				*		4	
16		22930804		SPOOL REST				*		4	
17		SM6061610SC		SCREW M6 L=16				*		4	
18		SM4051405SE		SCREW M5 L=14				*		2	
19		NM6050001SE		NUT M5				*		2	
20		SM4041001SC		SCREW M4X0.7 L=10				*		2	
21		NM6040002SE		NUT M4X0.7				*		2	
22		SM4041201SC		SCREW M4 L=12				*		1	
23		SM4042001SC		SCREW M4X20				*		1	
24		NM6040002SE		NUT M4X0.7				*		2	
25		WP1612616SE		WASHER 16X30X2.6				*		2	
26	R	WS1643202KR	WP1612616SE	SPRING WASHER		A		*		1	2.00
26	R	WS1643202KR	40085796	SPRING WASHER		A		*		1	2.00
27		NM6160511SE		NUT M16X1.5				*		1	
28		NM6050001SE		NUT M5				*		4	
29		WS0510002KN		SPRING WASHER				*		4	

THREAD STAND COMPONENTS (MO-6104D,MO-6114D SPECIAL ORDER PARTS)

No.	Supply Code	Parts No.	Replacement	Parts name	Remarks	Choice	Step	Level	Cons	Qty	Rep. QTY
1	R	13167754	40106587	THREAD STANDING DEVICE ASM.						1	1.00
2		13168851		THREAD STANDING ARM ASM. LONG				*		4	
3		13168802		THREAD STANDING ARM LONG				*		1	
4		13168505		THREAD GUIDE ARMB				*		1	
5	R	22930705	40096354	THREAD GUIDE ARM JOINT				*		4	1.00
6		22931406		THREAD STANDING ROD RUBBER CAP				*		1	
7	R	22930408	40096354	THREAD STANDING ROD UPPER				*		1	1.00
8	R	22931307	40096354	THREAD STANDING ROD JOINT				*		1	1.00
9	R	13167903	26910059	THREAD GUIDE				*		1	1.00
10	D R	13168000	26910059	THREAD GUIDE BASE LOWER				*		1	1.00
11	R	13168109	26910059	THREAD GUIDE ARM				*		1	1.00
12	R	13168208	26910059	THREAD GUIDE ARM BASE				*		1	1.00
13	R	22930309	40096354	THREAD STANDING ROD LOWER				*		1	1.00
14	R	22931109	40085791	SPOOL RETAINER				*		4	1.00
15	R	22931000	40085790	SPOOL PIN				*		4	1.00
16		22930903		SPOOL REST CUSHION				*		4	
17		22930804		SPOOL REST				*		4	
18		13168406		THREAD STANDING ARM SUPPORT A				*		1	
19		SM6061610SC		SCREW M6 L=16				*		4	
20		SM4051405SE		SCREW M5 L=14				*		2	
21		NM6050001SE		NUT M5				*		2	
22		SM4041001SC		SCREW M4X0.7 L=10				*		2	
23		NM6040002SE		NUT M4X0.7				*		2	
24		SM4041201SC		SCREW M4 L=12				*		1	
25		SM4042001SC		SCREW M4X20				*		1	
26		NM6040002SE		NUT M4X0.7				*		2	
27		WP1612616SE		WASHER 16X30X2.6				*		2	
28	R	WS1643202KR	WP1612616SE	SPRING WASHER		A		*		1	2.00
28	R	WS1643202KR	40085796	SPRING WASHER		A		*		1	2.00
29		NM6160511SE		NUT M16X1.5				*		1	
30		NM6050001SE		NUT M5				*		4	
31		WS0510002KN		SPRING WASHER				*		4	
32		SK3382001SE		SCREW D=3.8 L=20				*		2	
33		SM4061201SE		SCREW M6 L=12				*		2	
34		NM6060001SE		NUT M6				*		2	

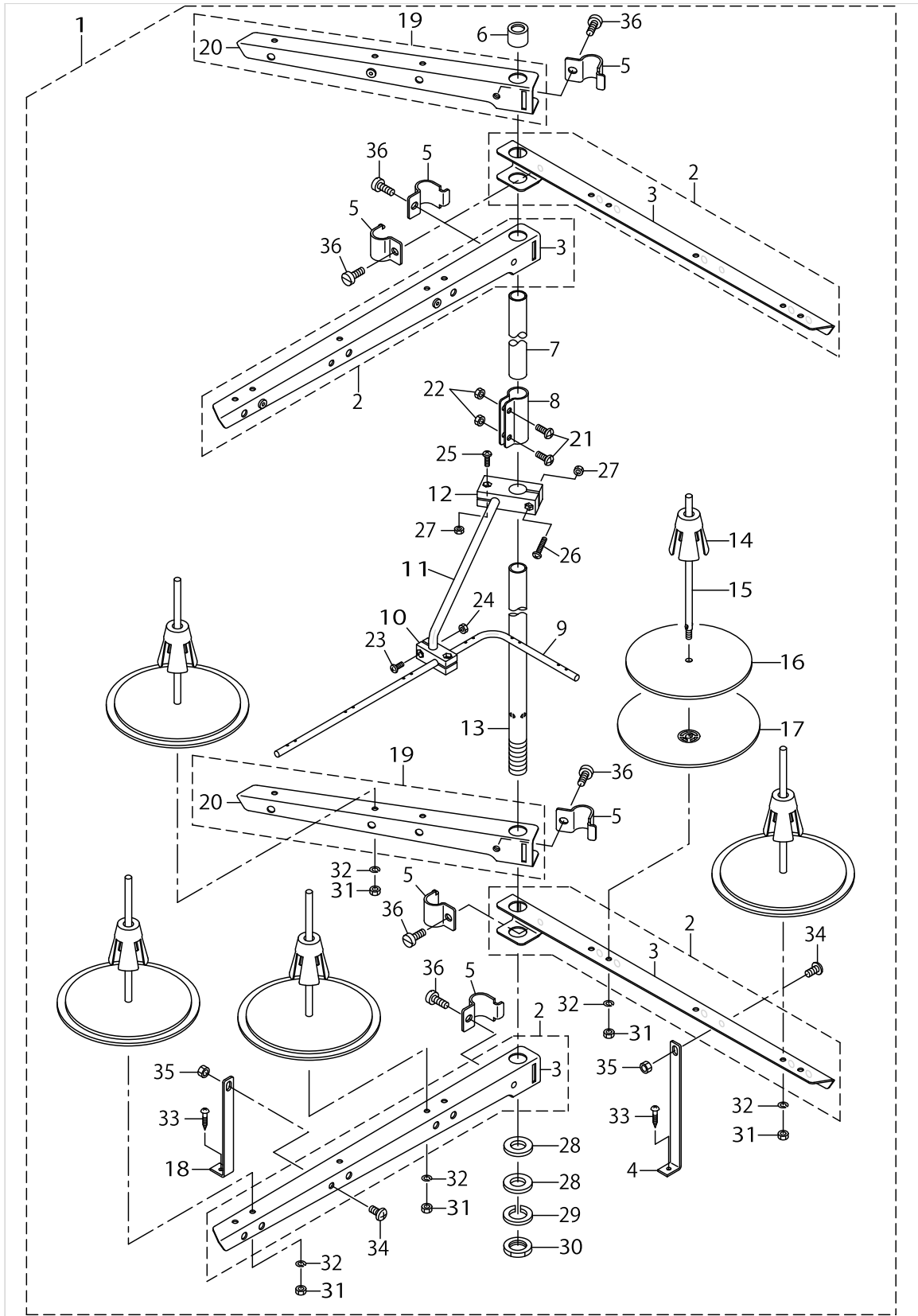
THREAD STAND COMPONENTS (FOR MO-6116D)



THREAD STAND COMPONENTS (FOR MO-6116D)

No.	Supply Code	Parts No.	Replacement	Parts name	Remarks	Choice	Step	Level	Cons	Qty	Rep. QTY
1	R	13167655	40106585	THREAD STANDING DEVICE ASM.						1	1.00
2	R	22930556	40096354	THREAD STANDING ARM ASM.				*		2	1.00
3	R	22930507	40096354	THREAD STANDING ARM				*		1	1.00
4		13168356		THREAD STANDING ARM ASM. LONG				*		2	
5	R	13168307	13168356	THREAD STANDING ARM LONG				*		1	1.00
6		22931406		THREAD STANDING ROD RUBBER CAP				*		1	
7	R	22930408	40096354	THREAD STANDING ROD UPPER				*		1	1.00
8	R	22931307	40096354	THREAD STANDING ROD JOINT				*		1	1.00
9	R	13167903	26910059	THREAD GUIDE				*		1	1.00
10	D R	13168000	26910059	THREAD GUIDE BASE LOWER				*		1	1.00
11	R	13168109	26910059	THREAD GUIDE ARM				*		1	1.00
12	R	13168208	26910059	THREAD GUIDE ARM BASE				*		1	1.00
13	R	22930309	40096354	THREAD STANDING ROD LOWER				*		1	1.00
14	R	22931109	40085791	SPOOL RETAINER				*		5	1.00
15	R	22931000	40085790	SPOOL PIN				*		5	1.00
16		22930903		SPOOL REST CUSHION				*		5	
17		22930804		SPOOL REST				*		5	
18		SM6061610SC		SCREW M6 L=16				*		4	
19		SM4051405SE		SCREW M5 L=14				*		2	
20		NM6050001SE		NUT M5				*		2	
21		SM4041001SC		SCREW M4X0.7 L=10				*		2	
22		NM6040002SE		NUT M4X0.7				*		2	
23		SM4041201SC		SCREW M4 L=12				*		1	
24		SM4042001SC		SCREW M4X20				*		1	
25		NM6040002SE		NUT M4X0.7				*		2	
26		WP1612616SE		WASHER 16X30X2.6				*		2	
27	R	WS1643202KR	WP1612616SE	SPRING WASHER		A		*		1	2.00
27	R	WS1643202KR	40085796	SPRING WASHER		A		*		1	2.00
28		NM6160511SE		NUT M16X1.5				*		1	
29		NM6050001SE		NUT M5				*		5	
30		WS0510002KN		SPRING WASHER				*		5	
31	R	22930705	40096354	THREAD GUIDE ARM JOINT				*		4	1.00

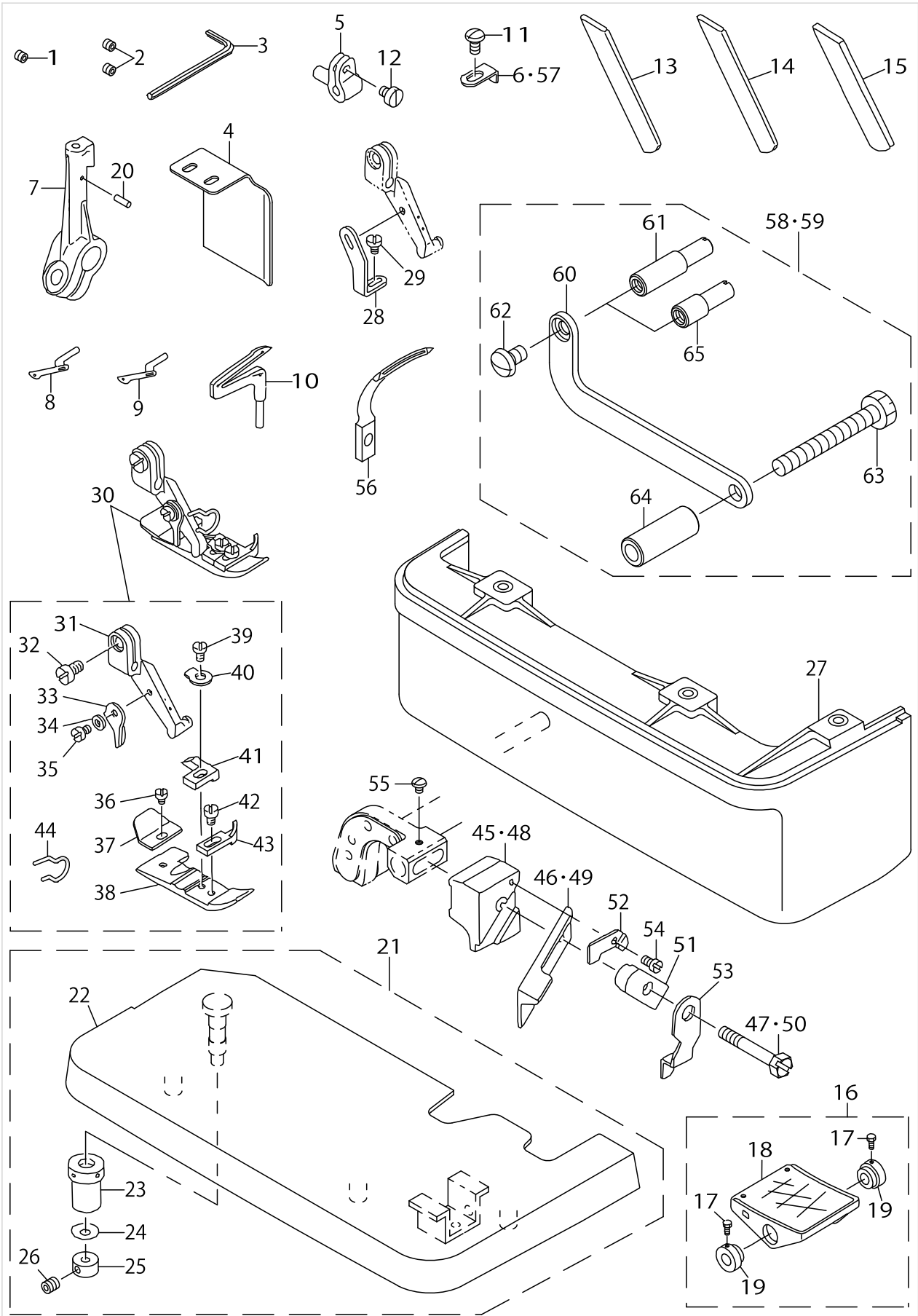
THREAD STAND COMPONENTS (MO-6116D SPECIAL ORDER PARTS)



THREAD STAND COMPONENTS (MO-6116D SPECIAL ORDER PARTS)

No.	Supply Code	Parts No.	Replacement	Parts name	Remarks	Choice	Step	Level	Cons	Qty	Rep. QTY
1	R	13167853	40106588	THREAD STANDING DEVICE ASM.						1	1.00
2		13168851		THREAD STANDING ARM ASM. LONG				*		4	
3		13168802		THREAD STANDING ARM LONG				*		1	
4		13168505		THREAD STANDING ARM SUPPORT B				*		1	
5	R	22930705	40096354	THREAD GUIDE ARM JOINT				*		6	1.00
6		22931406		THREAD STANDING ROD RUBBER CAP				*		1	
7	R	22930408	40096354	THREAD STANDING ROD UPPER				*		1	1.00
8	R	22931307	40096354	THREAD STANDING ROD JOINT				*		1	1.00
9	R	13167903	26910059	THREAD STANDING THREAD GUIDE				*		1	1.00
10	D R	13168000	26910059	THREAD GUIDE BASE LOWER				*		1	1.00
11	R	13168109	26910059	THREAD GUIDE ARM BASE				*		1	1.00
12	R	13168208	26910059	THREAD GUIDE ARM BASE				*		1	1.00
13	R	22930309	40096354	THREAD STANDING ROD LOWER				*		1	1.00
14	R	22931109	40085791	SPOOL RETAINER				*		5	1.00
15	R	22931000	40085790	SPOOL PIN				*		5	1.00
16		22930903		SPOOL REST CUSHION				*		5	
17		22930804		SPOOL REST				*		5	
18		13168406		THREAD STANDING ARM SUPPORT A				*		1	
19		13168950		THREAD STANDING ARM A ASM.				*		2	
20		13168901		THREAD STANDING ARM A				*		1	
21		SM4051405SE		SCREW M5 L=14				*		2	
22		NM6050001SE		NUT M5				*		2	
23		SM4041001SC		SCREW M4X0.7 L=10				*		2	
24		NM6040002SE		NUT M4X0.7				*		2	
25		SM4041201SC		SCREW M4 L=12				*		1	
26		SM4042001SC		SCREW M4X20				*		1	
27		NM6040002SE		NUT M4X0.7				*		2	
28		WP1612616SE		WASHER 16X30X2.6				*		2	
29	R	WS1643202KR	WP1612616SE	SPRING WASHER		A		*		1	2.00
29	R	WS1643202KR	40085796	SPRING WASHER		A		*		1	2.00
30		NM6160511SE		NUT M16X1.5				*		1	
31		NM6050001SE		NUT M5				*		5	
32		WS0510002KN		SPRING WASHER				*		5	
33		SK3382001SE		SCREW D=3.8 L=20				*		2	
34		SM4061201SE		SCREW M6 L=12				*		2	
35		NM6060001SE		NUT M6				*		2	
36		SM6061610SC		SCREW M6 L=16				*		6	

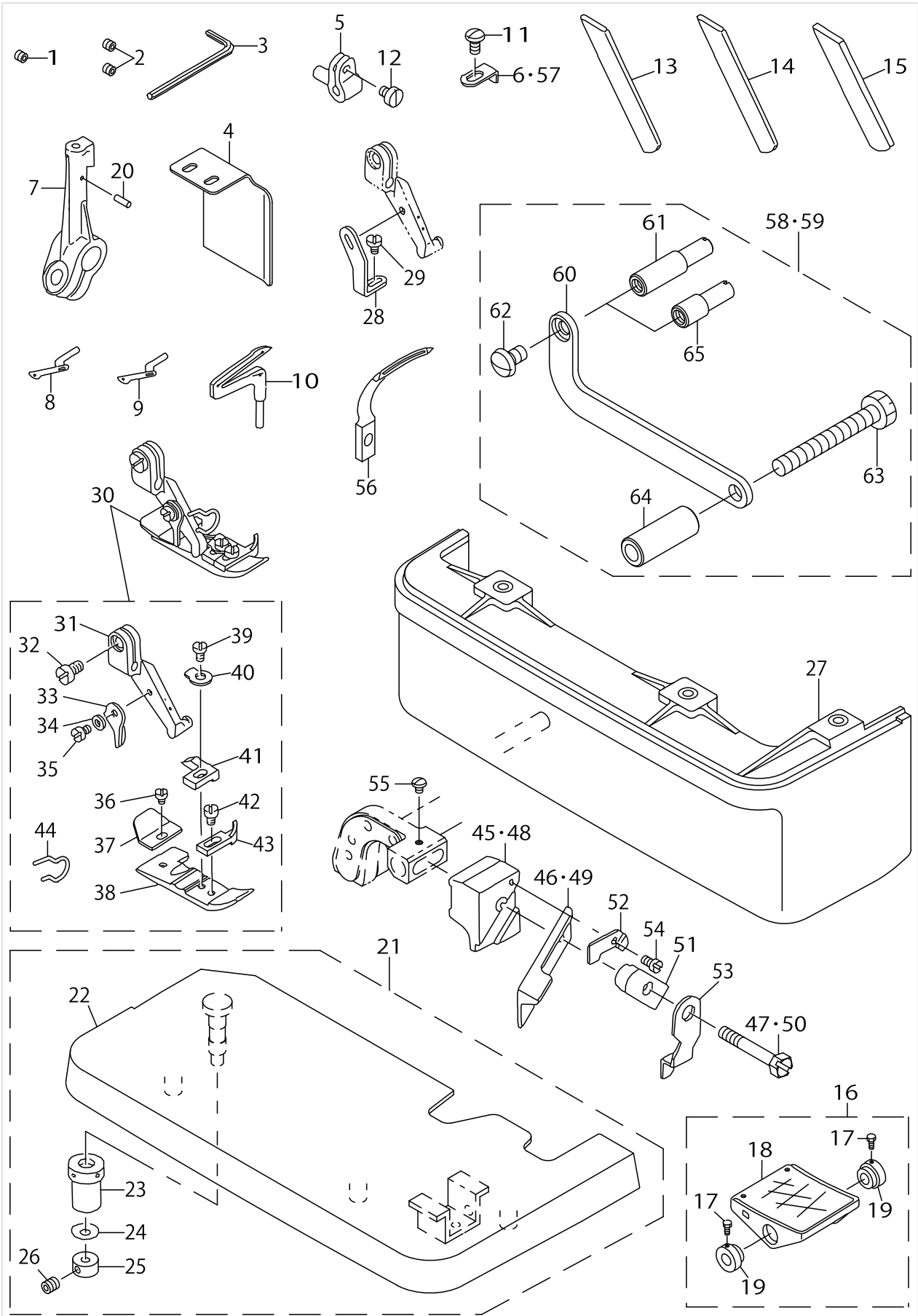
SPECIAL ORDER PARTS COMPONENTS



SPECIAL ORDER PARTS COMPONENTS

No.	Supply Code	Parts No.	Replacement	Parts name	Remarks	Choice	Step	Level	Cons	Qty	Rep. QTY
1		SS8080322TP		SCREW 1/8-44 L=3.2	FOR MO-6104D					1	
2		SS8080322TP		SCREW 1/8-44 L=3.2	FOR MO-6-114D,MO-6116D					2	
3		B9112804000		SPANNER						1	
4		40036778		V_BELT SLIDER						1	
5		11544707		UPPER LOOPER SUPPORT ARM						1	
6		11898103		PRESSER FOOT AUXILIARY PLATE	FOR MO-6104D					1	
7		12123709		LOWER LOOPER SUPPORT ARM						1	
8		B2519804000		UPPER LOOPER	FOR MO-6-104D,MO-6116D					1	
9		B2519814000		UPPER LOOPER	FOR MO-6114D					1	
10		B2521804000		LOWER LOOPER						1	
11		SS4080620TP		SCREW 1/8-44 L=6	FOR MO-6-104D,MO-6114D					1	
12		SS6080410SP		SCREW 1/8-44 L=4						1	
13		11847605		LOWER KNIFE						1	
14		11964509		CERAMIC LOWER KNIFE						1	
15		11992005		LOWER KNIFE						1	
16		11965753		PEDAL ASM.						1	
17		SM9061203SE		SCREW M6 L=12				*		2	
18		11965704		PEDAL				*		1	
19		11965803		PEDAL THRUST COLLAR				*		2	
20		PS0200062KH		SPRING PIN 2X6						1	
21		12105458		CLOTH PLATE ASM.	FOR MO-6116D					1	
22	R	12104550	12105458	CLOTH PLATE ASM.				*		1	1.00
23		11501301		ECCENTRIC BUSHING				*		1	
24		WZ0420350KP		DISC SPRING				*		1	
25	R	CS0400671SD	13172903	THRUST HOLDER				*		1	1.00
26		SM8040302TP		SETSCREW				*		1	
27	D	11949104		CLOTH BASE COVER	FOR MO-6116D					1	
28	D	B1539804000		PRESSER FOOT FIXING PLATE	FOR MO-6-104D,MO-6114D					1	
29		SS6060410TP		SCREW 3/32-56 L=3.5	FOR MO-6-104D,MO-6114D					1	
30		12152468		PRESSER FOOT(FINGER GUARD)	FOR MO-6114D					1	
31		11872009		PRESSER FOOT HINGE				*		1	
32	R	SS6090650SP	SS6090670TP	SCREW 9/64-40 L=6				*		1	1.00
33		B1530804000		STOPPER				*		1	
34		WP0250516SD		WASHER 2.5X6X0.5				*		1	
35		SS7060610SP		SCREW 3/32-56 L=5.5				*		1	
36		SS6060210SP		SCREW 3/32-56 L=1.9				*		1	
37		B1511814000		REARPRESSERFOOT				*		1	
38		B150781400P		PRESSER FOOT				*		1	
39		SS7080520SP		SCREW 1/8-44 L=4.9				*		1	
40		B150880400B		SPRING				*		1	
41		12160008		STITCH TONGUE				*		1	
42		SS6060440TP		SCREW 3/32-56 L=3.5				*		1	
43		B1510814000		CURL GUARD				*		1	
44		13178306		FINGER GUARD				*		1	

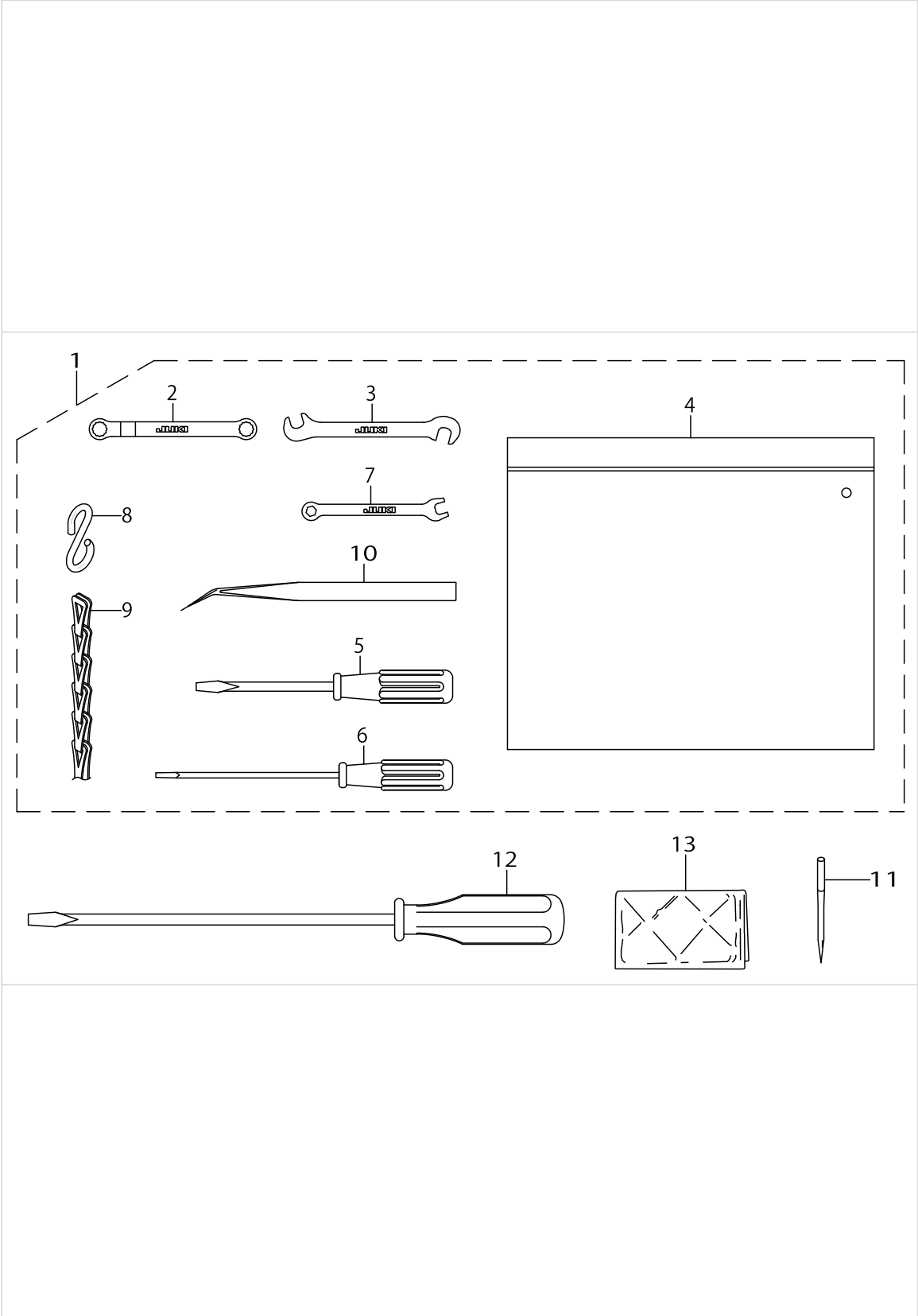
SPECIAL ORDER PARTS COMPONENTS



SPECIAL ORDER PARTS COMPONENTS

No.	Supply Code	Parts No.	Replacement	Parts name	Remarks	Choice	Step	Level	Cons	Qty	Rep. QTY
45		11598000		UPPER KNIFE SUPPORT	FOR JE(M-O-6104D,M-O-6114D)					1	
46		11845807		UPPER KNIFE	FOR JE(M-O-6104D,M-O-6114D)					1	
47		SS9111610SP		SCREW11/64-40L=16	FOR JE(M-O-6104D,M-O-6114D)					1	
48		11845500		UPPER KNIFE SUPPORT	FOR JE(MO-6116D)					1	
49		11845906		UPPER KNIFE	FOR JE(MO-6116D)					1	
50		SS9112310SP		SCREW11/64-40L=23	FOR JE(MO-6116D)					1	
51		11565504		UPPER KNIFE PRESSER PLATE	FOR JE(MO-6116D)					1	
52		11565702		WASHER	FOR JE					1	
53		11848405		UPPER KNIFE COVER	FOR JE					1	
54		SS4060310SP		SCREW 3/32-56 L=2.5	FOR JE					1	
55		SS4060310SP		SCREW 3/32-56 L=2.5	FOR JE					1	
56		12120713		CHAIN LOOPER	FOR MO-6116D					1	
57		40030533		PRESSER FOOT AUXILIARY PLATE	FOR MO-6114D					1	
58		40025294		SYNCHRONIZER STOPPER ASM.						1	
59		40011755		SYNCHRONIZER TURN STOPPER ASM	FOR SC-380					1	
60		40011757		SYNCHRONIZER STOPPER BASE				*		1	
61		40022255		SYNCHRONIZER STOPPER				*		1	
62		SS5120810SP		SCREW				*		1	
63		SS9154540SP		SCREW15/64-28L=45				*		1	
64		40011758		SYNCHRONIZER BASE COLLAR				*		1	
65		40011756		SYNCHRONIZER STOPPER	FOR SC-380			*		1	

ACCESSORIES PARTS COMPONENTS



ACCESSORIES PARTS COMPONENTS

No.	Supply Code	Parts No.	Replacement	Parts name	Remarks	Choice	Step	Level	Cons	Qty	Rep. QTY
1		13160858		ACCESSORIE BAG ASM.						1	
2		13160007		RING SPANNER				*		1	
3		13160205		PIN SPANNER				*		1	
4		22932800		ACCESSORIE BAG				*		1	
5		22933105		SCREW DRIVER.MIDDLE				*		1	
6		12347308		SCREW DRIVER (SMALL)				*		1	
7		13160106		SPANNER (5X6)				*		1	
8		13160304		S SHAPED HOOK				*		2	
9		13160403		CHAIN				*		1	
10		12288403		TWEEZERS				*		1	
11		MDC270B1104		NEEDLE DCX27 #11-4EA.						1	
12		22933006		SCREW DRIVER.LARGE						1	
13		40048535		HEAD_COVER						1	

HOW TO MAKE USE OF THIS PARTS LIST

1.Explanation of codes

1)"*"mark.....means this part is changed from the previous parts book.

As to the details of the change, refer to the "List for information of change".

2)"#01".....refer to "Note" explanation at bottom of page.

2.Codes on the "Qty" column

• Each numeral indicates the number of parts required.

• "0.1" and "2.5" indicate the length (in meters) of the respective parts.

3.Parentheses mean that the corresponding part is a subpart that constructs an assembly part.

4.Dotted lines on the Figures indicate assembly parts.

1."注記"欄の記号説明

1) "*"印.....前回のパーツブックに比較して今回変更された部品を意味します。

変更内容は、"変更情報リスト"を参照してください。

2) "#01".....ページ下の"注記"の説明を参照してください。

2.数量欄の数字は、個数を表し、0.1、2.5等の数値は、長さ（単位メートル）を表します。

3.数量欄の（ ）は、組部品を構成している子部品であることを意味します。

4.イラストページの-----枠は、組構成であることを意味します。

NUMERICAL INDEX OF PARTS

PART NO	PAGE	REF NO.	PART NO	PAGE	REF NO.	PART NO	PAGE	REF NO.
10753309	6	39	11959400	56	21	12160008	70	41
11151065	60	26	11959558	58	15	12162202	38	41
11151909	60	31	11960655	60	1	12164802	38	37
11155108	56	19	11960754	60	13	12167409	38	40
11155108	58	32	11964509	70	14	12167508	38	45
11155207	56	20	11965704	70	18	12167607	38	42
11155207	58	33	11965753	70	16	12167706	38	46
11157567	60	2	11965803	70	19	12167805	38	38
11159001	60	18	11991908	28	63	12176103	28	64
11159365	60	14	11992005	70	15	12177903	48	41
11246501	60	38	11999307	28	65	12253829	38	1
11246600	60	37	12015301	48	39	12256905	16	63
11501301	2	36	12015400	48	40	12257002	16	45
11501301	70	23	12102208	46	16	12288403	74	10
11517307	14	43	12102752	2	35	12288700	34	33
11544707	70	5	12102810	46	23	12288908	46	7
11565504	72	51	12102950	46	31	12340303	26	31
11565702	72	52	12103107	46	29	12340402	26	33
11566809	50	12	12103305	2	28	12340501	28	48
11598000	72	45-48	12103701	46	18	12340600	26	25
11802006	46	32	12104550	70	22	12340709	26	27
11806304	22	16	12105458	70	21	12340808	28	50
11806304	32	47	12108403	10	25	12341806	56	16
11806304	46	12	12109153	10	28	12341806	58	41
11840303	52	7	12118204	22	10	12341905	56	5
11840402	52	8	12118303	22	9	12341954	56	4
11845500	72	45-48	12120150	10	38	12342101	2	11
11845807	72	46-49	12120705	30	41	12347308	74	6
11845906	72	46-49	12120713	72	56	13100805	2	16
11846607	46	14	12121612	30	34	13100904	2	15
11846805	46	33	12122362	10	30	13101001	2	21
11847605	70	13	12123360	10	34	13101209	2	18
11848405	72	53	12123709	70	7	13101308	2	30
11849361	58	26	12132155	10	43	13101407	2	19
11849379	58	25	12132619	46	15	13101506	2	25
11872009	38	20	12132700	46	20-26	13101605	2	26
11872009	70	31	12132809	46	20-26	13101803	2	32
11876158	38	4	12132908	46	24	13102207	4	45
11876851	38	19	12133005	46	27	13102405	2	3
11890001	28	66	12133104	46	22	13102702	48	46
11890100	48	37	12133211	46	11	13102900	6	38
11890308	48	38	12133708	46	28	13103650	2	34
11898103	70	6-57	12152468	70	30	13103809	2	13
11949104	70	27	12153755	38	34	13103908	6	24
11949807	24	65	12156907	38	35	13104005	2	1

NUMERICAL INDEX OF PARTS

PART NO	PAGE	REF NO.	PART NO	PAGE	REF NO.	PART NO	PAGE	REF NO.
13104203	2	2	13116900	34	21	13128509	42	34
13104302	2	44	13117007	34	19	13128608	42	35
13104500	6	10	13117106	34	34	13128707	42	36
13104807	6	29	13119904	18	33	13128905	42	37
13107602	10	4	13119953	18	32	13129101	44	40
13107701	10	10	13120001	18	41	13129309	26	21
13108006	10	23	13120605	18	44	13129309	30	8
13108105	10	24	13120803	22	33	13129457	42	38
13108303	10	27	13121009	22	31	13129903	30	7
13108402	10	8	13121058	22	30	13129952	30	6
13108600	10	18	13121108	24	75	13130000	42	39
13110101	14	5	13121207	22	43	13130109	32	50
13110200	14	22	13121256	22	42	13131107	26	8
13110259	14	21	13121405	22	26	13131156	26	7
13110507	14	2	13121603	24	49	13131800	28	46
13110556	14	1	13122007	16	49~52	13132006	28	47
13110705	14	24	13122007	18	35~38	13132501	26	20
13110804	14	25	13122007	50	13~16	13132550	26	19
13110903	14	26	13122106	16	49~52	13132600	26	11
13111000	14	27	13122106	18	35~38	13132907	26	35
13111109	14	31	13122106	50	13~16	13133053	26	24
13111208	14	34	13122205	16	49~52	13137559	42	2
13111307	14	35	13122205	18	35~38	13137609	42	12
13111406	14	36	13122205	50	13~16	13137708	42	8~10
13111505	14	38	13122304	16	49~52	13137807	42	5~7
13111604	14	39	13122304	18	35~38	13137906	42	13
13111703	14	40	13122304	50	13~16	13138003	42	16
13115001	34	1	13122502	18	13	13138102	42	14
13115100	34	2	13122809	22	24	13138201	42	27
13115209	34	4	13123302	22	39	13138359	42	3
13115258	34	3	13123302	34	44	13138409	42	8~10
13115407	34	8	13125901	30	14	13138508	42	5~7
13115654	34	32	13125950	30	13	13138656	42	4
13115753	34	9	13126503	30	19~22	13138706	42	8~10
13115803	34	10	13126602	30	19~22	13138805	42	5~7
13115902	34	11	13126701	30	19~22	13138904	42	11
13116009	34	12	13126800	30	19~22	13139555	42	20
13116108	34	13	13127105	30	18	13139605	42	22
13116207	34	18	13127204	30	23~26	13139704	42	25
13116306	34	20	13127303	30	23~26	13139803	42	24
13116405	34	22	13127402	30	23~26	13139902	42	23
13116504	34	23	13127501	30	23~26	13140009	42	21
13116603	34	24	13128202	42	31	13142500	52	25
13116702	38	2	13128301	42	32	13142609	52	38
13116801	34	7	13128400	42	33	13142955	52	33

NUMERICAL INDEX OF PARTS

PART NO	PAGE	REF NO.	PART NO	PAGE	REF NO.	PART NO	PAGE	REF NO.
13143607	52	43	13161005	56	1	13172556	20	50
13143805	52	27	13161005	58	1	13172606	50	22
13147301	50	9	13161153	56	3	13172655	50	21
13147400	50	7	13167556	62	1	13172705	16	55
13147509	50	2	13167655	66	1	13172754	16	54
13147558	50	1	13167754	64	1	13172804	28	59
13150503	50	17	13167853	68	1	13172853	28	58
13150602	50	18	13167903	62	8	13175005	16	62
13150701	48	45	13167903	64	9	13178306	38	33
13150800	50	11	13167903	66	9	13178306	70	44
13150909	50	5	13167903	68	9	13178405	40	47
13151006	50	6	13168000	62	9	13191309	24	70
13151105	46	35	13168000	64	10	13191408	24	71
13151204	46	5	13168000	66	10	13191606	24	64
13151303	50	4	13168000	68	10	13192406	24	66
13155007	56	15	13168109	62	10	13192802	24	67
13155106	58	17	13168109	64	11	13193206	24	68
13155205	58	18	13168109	66	11	13193602	24	69
13155304	58	27	13168109	68	11	13200209	6	1
13155403	56	13	13168208	62	11	13200308	6	2
13155403	58	16	13168208	64	12	13200803	2	8
13155502	56	10	13168208	66	12	13200902	24	77
13155502	58	22	13168208	68	12	13201108	6	28
13155601	56	8	13168307	66	5	13201207	6	33
13155601	58	20	13168356	66	4	13201306	6	32
13155700	56	9	13168406	64	18	13201405	6	16
13155700	58	21	13168406	68	18	13201454	6	15
13155759	56	7	13168505	64	4	13204003	6	35
13155759	58	19	13168505	68	4	13204003	26	13
13155858	58	5	13168802	64	3	13207808	14	20
13155908	58	8	13168802	68	3	13208103	16	60
13156005	58	9	13168851	64	2	13208707	14	30
13156104	58	10	13168851	68	2	13208806	14	28
13156203	58	6	13168901	68	20	13208905	14	29
13156302	58	7	13168950	68	19	13209804	14	7
13156500	56	14	13170105	6	21	13209853	14	6
13160007	74	2	13170204	6	11	13210000	14	17
13160106	74	7	13170204	22	34	13212501	34	39
13160205	74	3	13170303	10	14	13212600	34	31
13160304	74	8	13170402	34	37	13212709	34	35
13160403	74	9	13170501	24	48	13212808	34	41
13160700	6	43	13170600	26	16	13212915	34	43
13160858	74	1	13170808	52	34	13213012	22	38
13160908	56	2	13171004	6	22	13213012	34	42
13160908	58	2	13172507	20	51	13215108	22	2

NUMERICAL INDEX OF PARTS

PART NO	PAGE	REF NO.	PART NO	PAGE	REF NO.	PART NO	PAGE	REF NO.
13215157	22	1	22930705	68	5	40004529	4	51
13215207	22	3	22930804	62	16	40004535	10	1
13215306	22	4	22930804	64	17	40004536	10	2
13215405	22	5	22930804	66	17	40004540	12	54
13215504	22	6	22930804	68	17	40004542	10	16
13215603	22	7	22930903	62	15	40004543	10	9
13215702	22	11	22930903	64	16	40004545	10	19
13215801	22	17	22930903	66	16	40004546	10	53
13215900	22	13	22930903	68	16	40004546	12	53
13216007	22	14	22931000	62	14	40004547	10	22
13217351	24	47	22931000	64	15	40004549	10	13
13217401	24	57	22931000	66	15	40004550	10	6
13217500	24	58	22931000	68	15	40004551	12	55~59
13217708	22	36	22931109	62	13	40004552	12	55~59
13222401	26	29	22931109	64	14	40004553	12	55~59
13222708	26	3	22931109	66	14	40004554	12	55~59
13222807	10	41	22931109	68	14	40004555	12	55~59
13222906	10	42	22931307	62	7	40004558	14	4
13225107	42	18·19	22931307	64	8	40004559	14	9~11
13228903	52	12	22931307	66	8	40004561	14	9~11
13229000	52	14	22931307	68	8	40004563	14	9~11
13229208	54	47	22931406	62	5	40004565	14	12~14
13232657	46	9·10	22931406	64	6	40004567	14	12~14
13232756	46	9·10	22931406	66	6	40004569	14	12~14
13235304	46	19	22931406	68	6	40004572	14	15
13240007	4	48~50	22932800	74	4	40004573	16	44
13240106	4	48~50	22933006	74	12	40004574	16	58
13240205	4	48~50	22933105	74	5	40004576	14	16
22901805	6	37	23630007	4	52	40004577	14	18
22921407	42	26	23630007	54	50	40004578	14	19
22930309	62	12	23640006	4	53	40004580	14	42
22930309	64	13	31018005	52	13	40004580	26	44
22930309	66	13	40004509	6	44	40004591	18	1
22930309	68	13	40004510	8	46	40004592	18	2
22930408	62	6	40004511	6	5	40004593	18	6
22930408	64	7	40004513	6	8	40004594	18	12
22930408	66	7	40004514	6	6	40004595	18	10
22930408	68	7	40004516	2	7	40004596	18	11
22930507	62	3	40004517	6	12	40004597	18	8
22930507	66	3	40004519	2	41	40004599	18	16
22930556	62	2	40004520	2	42	40004600	18	46
22930556	66	2	40004525	6	19	40004601	20	47
22930705	62	4	40004526	6	20	40004603	18	23
22930705	64	5	40004527	6	23	40004604	18	14
22930705	66	31	40004528	4	56	40004605	18	24

NUMERICAL INDEX OF PARTS

PART NO	PAGE	REF NO.	PART NO	PAGE	REF NO.	PART NO	PAGE	REF NO.
40004606	18	15	40004687	32	33·54	40030533	72	6·57
40004608	18	25	40004692	28	67~69	40036778	70	4
40004611	8	55	40004693	28	67~69	40039400	26	10
40004613	8	56	40004694	28	67~69	40048535	74	13
40004618	22	19	40004696	26	2	B1212704000	10	17
40004619	24	79~83	40004697	26	14	B1507804C00	38	12
40004620	24	79~83	40004698	26	23	B150781400P	38	27
40004621	24	79~83	40004699	18	31	B150781400P	70	38
40004622	24	79~83	40004699	28	53	B150880400B	38	29
40004623	24	79~83	40004701	26	4~6	B150880400B	70	40
40004627	18	42	40004702	26	4~6	B1509804C00	38	15
40004629	18	43	40004703	26	4~6	B150981400P	38	30
40004638	24	52	40004713	28	52	B1510814000	38	32
40004641	24	56·89	40004716	26	37~40	B1510814000	70	43
40004642	24	56·89	40004718	26	37~40	B1511814000	38	26
40004643	22	29	40004720	26	37~40	B1511814000	70	37
40004645	22	18	40004722	26	37~40	B1513816000	38	39
40004646	22	40	40004731	42	1	B1514816000	38	43
40004647	22	45	40004738	52	3	B1530804000	38	22
40004648	20	53	40004739	52	4	B1530804000	70	33
40004649	18	26	40004740	52	6	B1539804000	70	28
40004651	20	49	40004743	52	23	B2119816A00	30	27~31
40004652	18	28	40004746	52	44	B2119816B00	30	27~31
40004653	24	86~88	40004747	52	42	B2119816C00	30	27~31
40004654	24	86~88	40004748	52	41	B2119816D00	30	27~31
40004655	24	86~88	40004749	52	16	B2119816E00	30	27~31
40004659	18	39·56	40004750	52	1	B2519804000	70	8
40004660	20	39·56	40004751	26	41	B2519814000	70	9
40004665	30	1	40004752	24	84	B2521804000	70	10
40004666	30	3~5	40004753	24	85	B2530704000	28	54
40004667	30	3~5	40004754	22	21	B3013141H0A	52	19
40004668	30	3~5	40004755	8	58	B3113352000	44	41
40004669	32	48	40011755	72	58·59	B4122804000	52	20
40004671	30	10	40011756	72	65	B71140120A0	60	25
40004672	30	11	40011757	72	60	B81517710A0	60	27
40004674	30	12	40011758	72	64	B8152771000	60	39
40004675	32	49	40017714	12	47	B8153771000	60	40
40004676	30	42	40018263	52	11	B8267180000	8	53
40004680	30	16	40018264	52	9	B9112804000	70	3
40004681	30	17	40019589	24	50	BP30000010R	52	24
40004682	30	40	40019590	24	54	CM300200001	2	40
40004683	26	15	40019591	24	51	CM3002000A1	6	17
40004683	32	46	40022255	72	61	CM3002001B1	6	36
40004684	30	44	40024112	52	2	CS0400671SD	2	38
40004685	30	33·54	40025294	72	58·59	CS0400671SD	70	25

NUMERICAL INDEX OF PARTS

PART NO	PAGE	REF NO.	PART NO	PAGE	REF NO.	PART NO	PAGE	REF NO.
CS150101ATH	20	54	R4200J6ED00	46	1	SM4041001SC	68	23
D8113555B00	60	33	R4305J6EE00	46	2	SM4041055SP	2	17
D8204555D00	56	22	R4508J6ED00	46	3	SM4041055SP	24	60
D8204555D00	58	34	RE0300000K0	22	37	SM4041055SP	52	40
EA9500B0100	54	46	RE0300000K0	36	47	SM4041201SC	62	22
GPF06060000	60	15	RE0500000K0	22	41	SM4041201SC	64	24
GPF06070000	60	16	RO098190100	12	52	SM4041201SC	66	23
GPF06080000	60	17	RO118240100	4	58	SM4041201SC	68	25
MDC270B1100	16	53	SB110000600	10	21	SM4042001SC	62	23
MDC270B1104	74	11	SB33500020A	18	18~22	SM4042001SC	64	25
NM6040002SE	62	24	SB33500020B	18	18~22	SM4042001SC	66	24
NM6040002SE	64	26	SB33500020C	18	18~22	SM4042001SC	68	26
NM6040002SE	66	25	SB33500020D	18	18~22	SM4050855SP	10	7
NM6040002SE	68	27	SB33500020E	18	18~22	SM4050855SP	44	44
NM6050001SE	62	28	SD0260271SP	18	5	SM4050855SP	52	28
NM6050001SE	64	30	SD0280401SL	16	61	SM4051055SP	46	8
NM6050001SE	66	29	SD0600341TP	44	42	SM4051255SP	22	25
NM6050001SE	68	31	SD0640241SP	34	15	SM4051405SE	62	18
NM6060001SE	64	34	SD0720271SP	24	59	SM4051405SE	64	20
NM6060001SE	68	35	SD0720332SP	32	51	SM4051405SE	66	19
NM6060003SC	34	25	SK2351600SC	56	24	SM4051405SE	68	21
NM6080001SE	60	21	SK2351600SC	58	4	SM4051601SC	52	35
NM6080600SM	58	29	SK3311500SC	56	25	SM4061201SE	64	33
NM6080721SE	60	32	SK3311500SC	58	35	SM4061201SE	68	34
NM6160511SE	62	27	SK3382001SE	64	32	SM4061255SP	6	7
NM6160511SE	64	29	SK3382001SE	68	33	SM6040600SP	22	22
NM6160511SE	66	28	SK3412001SE	6	40	SM6050800SP	12	49
NM6160511SE	68	30	SK3513200SC	56	26	SM6051202TP	18	34
NS6090310SN	2	5	SK3513200SC	58	31	SM6051202TP	24	55
NS6090310SP	56	12	SL9061291SE	60	24	SM6051202TP	30	15
NS6090310SP	58	24	SL9082091SE	60	22	SM6053502TP	8	49
NS6110310SP	52	48	SM1040801SC	2	10	SM6056052TP	8	48
NS6110310SP	54	48	SM1040801SC	6	13	SM6061200SP	26	17
NS6110420SP	4	46	SM4040655SP	2	31	SM6061200SP	34	27
NS6110420SP	34	26	SM4040655SP	26	30	SM6061202TP	10	37
NS6240630SE	56	23	SM4040855SP	2	43	SM6061402TP	14	8
NS6240630SE	58	40	SM4040855SP	6	57	SM6061402TP	50	3
NS6620320SP	18	40	SM4040855SP	8	57	SM6061602TP	20	48
NS6680410SP	6	27	SM4040855SP	10	26	SM6061610SC	62	17
PS0200052KH	42	28	SM4040855SP	14	41	SM6061610SC	64	19
PS0200062KH	70	20	SM4040855SP	22	35	SM6061610SC	66	18
PS0250062KH	30	32	SM4040855SP	52	39	SM6061610SC	68	36
PS0300062KH	26	18	SM4041001SC	62	20	SM6061802TP	52	21
PS0300102K0	18	7	SM4041001SC	64	22	SM8040302TP	2	39
PS0300142KH	34	16	SM4041001SC	66	21	SM8040302TP	70	26

NUMERICAL INDEX OF PARTS

PART NO	PAGE	REF NO.	PART NO	PAGE	REF NO.	PART NO	PAGE	REF NO.
SM8040402TP	34	38	SS6060340SP	38	44	SS7080520SP	38	28
SM8050412TP	34	30	SS6060410TP	70	29	SS7080520SP	70	39
SM9061203SE	60	34	SS6060440TP	26	1	SS7090510SP	48	42
SM9061203SE	70	17	SS6060440TP	38	31	SS7090530SP	2	20
SM9082023SE	60	28	SS6060440TP	52	45	SS7090610SP	2	22
SM9082513CF	58	28	SS6060440TP	70	42	SS7090610SP	48	44
SQ0000451MZ	52	29	SS6080340SP	24	78	SS7090611SL	6	34
SQ1110401MZ	4	54	SS6080340SP	34	17	SS7090710SP	46	25
SQ1110451MZ	52	49	SS6080410SP	24	53	SS7090850SP	26	26
SQ1110451MZ	54	49	SS6080410SP	26	28	SS7091410SP	2	33
SQ1150441SD	52	30	SS6080410SP	70	12	SS7110510SP	2	27
SQ1150451MZ	52	37	SS6080720SP	14	23	SS7110510SP	34	14
SQ1150454SD	52	26	SS6081210TP	12	48	SS7110710SL	42	29
SS1060610SP	22	20	SS6090420SP	58	11	SS7110710SP	2	29
SS1120710SP	8	47	SS6090610SP	18	27	SS7110720SP	46	13
SS2060320SP	30	43	SS6090620TP	22	8	SS7110720TP	30	39
SS2090520SL	2	4	SS6090620TP	28	61	SS7110810SP	18	9
SS2110910SL	46	4	SS6090620TP	30	37	SS7110840SP	10	46
SS3090610SP	2	6	SS6090630TP	26	62	SS7110840SP	12	46
SS3090610SP	26	51	SS6090630TP	28	62	SS7110840SP	26	36
SS3090610SP	28	51	SS6090630TP	56	27	SS7110840SP	34	28
SS4060310SP	72	55	SS6090630TP	58	37	SS7110840SP	48	36
SS4080620TP	24	72	SS6090650SP	38	36	SS7110910TP	18	17
SS4080620TP	30	36	SS6090650SP	70	32	SS7111410TP	10	40
SS4080620TP	70	11	SS6090670TP	14	37	SS7111410TP	34	29
SS4090415SP	44	48	SS6090810SP	52	10	SS7111810TP	10	44
SS4090515SP	22	27	SS6090920SP	32	52	SS7150740SP	34	45
SS4090615SP	28	49	SS6110610TP	46	17	SS7151120SP	46	30
SS4091015SP	2	14	SS6110710TP	18	4	SS7161040SP	36	48
SS4110515SP	14	33	SS6110710TP	30	45	SS8080310TP	16	48
SS4110515SP	44	49	SS6110710TP	34	5	SS8080322TP	70	2
SS4110615SP	42	30	SS6111040SP	50	8	SS8090530TP	16	59
SS4120615SP	2	12	SS6111440SP	4	47	SS8110410TP	2	24
SS4120615SP	6	45	SS6111610SP	6	9	SS8110410TP	20	52
SS4151215SP	6	18	SS6111610SP	50	10	SS8110410TP	22	44
SS5080212TP	10	3	SS6121020SP	34	40	SS8110410TP	42	17
SS5090610SP	56	11	SS6121220TP	18	45	SS8110410TP	52	5
SS5090610SP	58	23	SS6151440SP	46	34	SS8110422TP	12	50
SS5110710SP	6	31	SS6661110SP	22	46	SS8110510SP	18	3
SS5110710SP	56	17	SS7060310SP	22	12	SS8150410TP	12	51
SS5110710SP	58	38	SS7060510SP	38	3	SS8150410TP	18	30
SS5120810SP	72	62	SS7060510SP	48	43	SS8151150TP	10	5
SS5150510SP	44	50	SS7060610SP	28	45	SS8660330SP	22	32
SS6060210SP	38	25	SS7060610SP	38	24	SS8660330SP	50	23
SS6060210SP	70	36	SS7060610SP	70	35	SS8660610TP	16	56

NUMERICAL INDEX OF PARTS

PART NO	PAGE	REF NO.	PART NO	PAGE	REF NO.
SS8660610TP	28	60	WP1612616SE	66	26
SS9090410TP	26	43	WP1612616SE	68	28
SS9090610TP	26	42	WS0510002KN	62	29
SS9090823TP	50	19	WS0510002KN	64	31
SS9111010SP	24	73	WS0510002KN	66	30
SS9111010SP	46	21	WS0510002KN	68	32
SS9111050SP	24	74	WS0511302KS	8	51
SS9111610SP	72	47·50	WS0621210KR	60	35
SS9112310SP	72	47·50	WS0822010KP	6	26
SS9151210TP	4	57	WS0861410KR	60	29
SS9151210TP	26	22	WS1002560KR	56	29
SS9151210TP	30	9	WS1002560KR	58	36
SS9151210TP	34	6	WS1643202KR	62	26
SS9151440CP	10	12	WS1643202KR	64	28
SS9154540SP	72	63	WS1643202KR	66	27
ST60308210A	58	13	WS1643202KR	68	29
TA0340201R0	20	55	WZ0420350KP	2	37
TA0340201R0	32	53	WZ0420350KP	70	24
TA0570301M0	4	55	WZ0640312K0	44	43
TA0690801R0	22	23	WZ0850302K0	6	30
TA0800504R0	24	76	WZ2640310KH	10	15
TA1550902R0	8	54			
TA1701002R0	8	52			
TA1871602R0	6	41			
TA2050805R0	6	42			
WP0250516SD	38	23			
WP0250516SD	70	34			
WP0370316SD	50	20			
WP0370316SD	58	14			
WP0371016SD	22	28			
WP0460556SD	24	61			
WP0460556SD	36	46			
WP0480856SP	24	62			
WP0501016SD	8	50			
WP0621016SD	24	63			
WP0651056SD	52	22			
WP0671016SE	60	36			
WP0751576SD	6	25			
WP0850002SC	58	30			
WP0871602SE	60	30			
WP1002036SE	56	28			
WP1002036SE	58	39			
WP1052001SC	18	29			
WP1612616SE	62	25			
WP1612616SE	64	27			