

MODEL : MO-6904C-0E6/MO-6914C-BE6

List No : 1359-06

# PARTS LIST

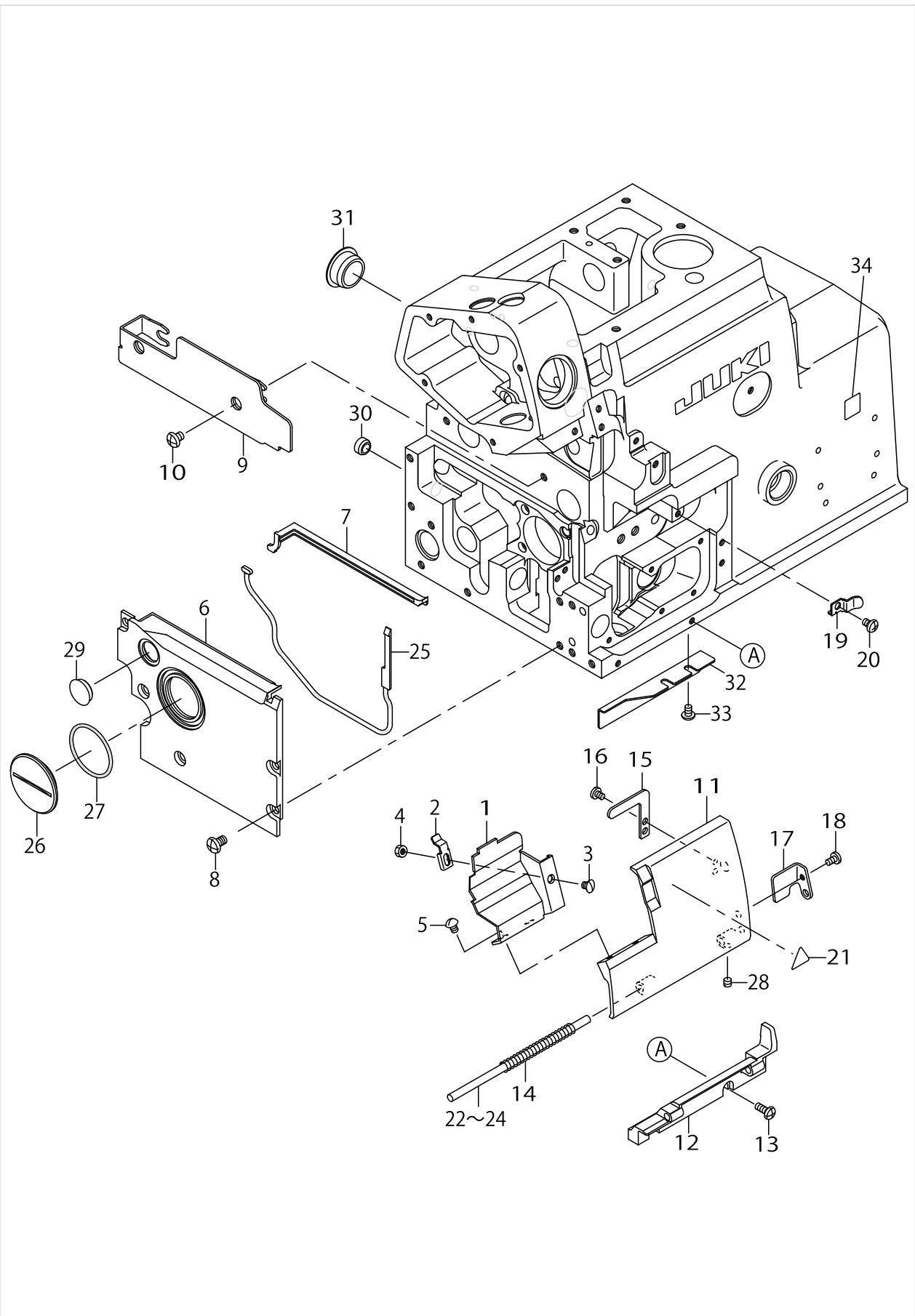
Published:05/12/2017

## CONTENTS

---

MISCELLANEOUS COVER COMPONENTS (1).....	1
MISCELLANEOUS COVER COMPONENTS (2).....	3
CRANKSHAFT COMPONENTS .....	5
NEEDLE DRIVING SHAFT COMPONENTS.....	7
FEED MECHANISM COMPONENTS (1).....	11
FEED MECHANISM COMPONENTS (2).....	13
UPPER & LOWER LOOPER COMPONENTS.....	17
PRESSER FOOT COMPONENTS (1).....	21
PRESSER FOOT COMPONENTS (2).....	25
THREAD TENSION COMPONENTS .....	27
LOWER KNIFE COMPONENTS.....	31
UPPER KNIFE COMPONENTS .....	33
NEEDLE COOLING MECHANISM COMPONENTS.....	35
LUBRICATION MECHANISM COMPONENTS.....	37
SEMI-SUNKEN TYPE TABLE COMPONENTS.....	41
STAND COMPONENTS (Z·T).....	43
THREAD STAND COMPONENTS.....	45
THREAD STAND COMPONENTS (SPECIAL ORDER PARTS).....	47
SPECIAL ORDER PARTS COMPONENTS.....	49
ACCESSORIES PARTS COMPONENTS .....	51
SUBCLASSES.....	53
LIST FOR INFORMATION OF CHANGE.....	55
HOW TO MAKE USE OF THIS PARTS LIST .....	56

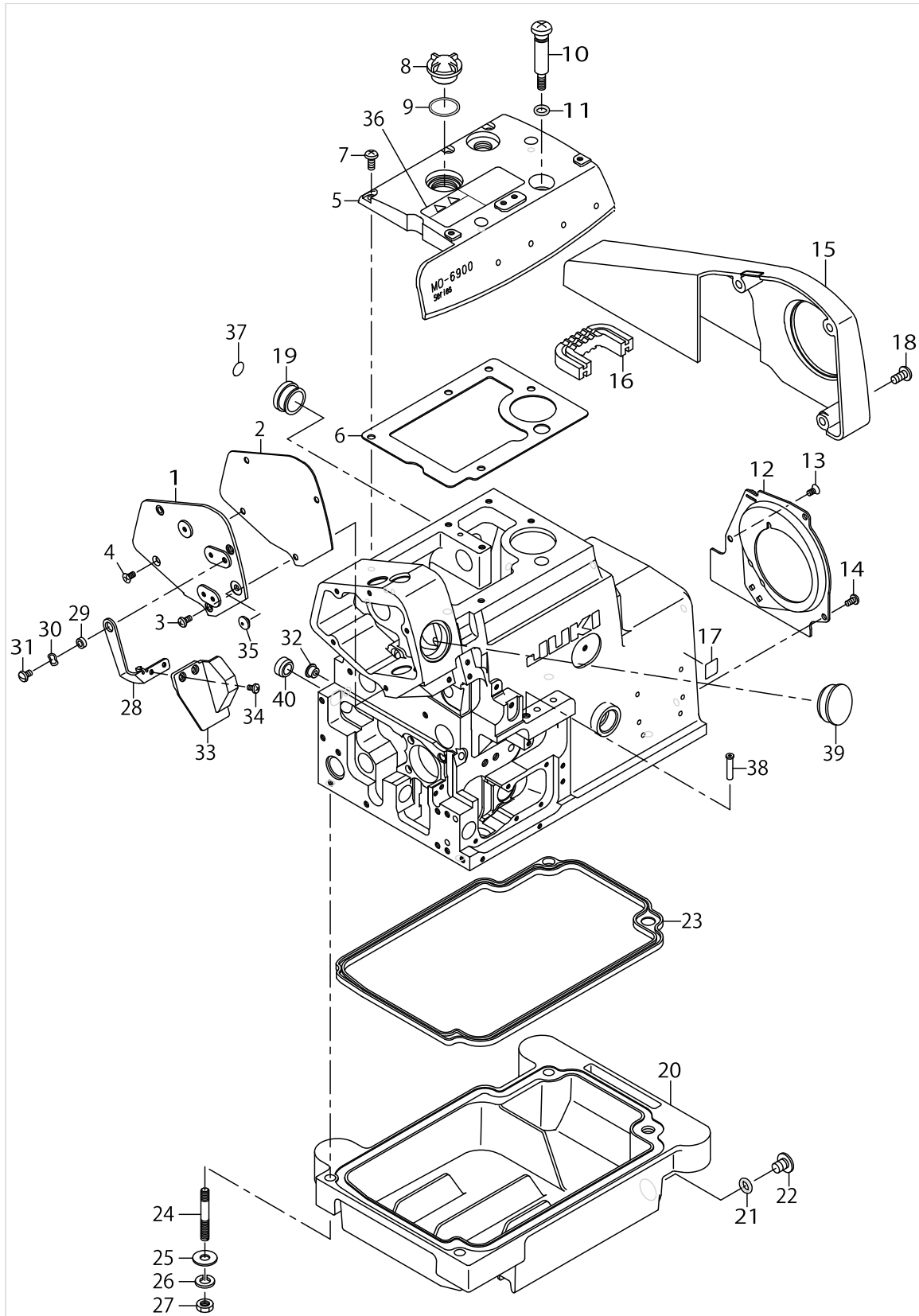
MISCELLANEOUS COVER COMPONENTS (1)



MISCELLANEOUS COVER COMPONENTS (1)

No.	Supply Code	Parts No.	Replacement	Parts name	Remarks	Choice	Step	Level	Cons	Qty	Rep. QTY
1		12229100		CHIP GUARD COVER						1	
2		13102405		CROTH WASTE COVER STOPPER						1	
3		SS2090520SL		SCREW 9/64-40 L=5						1	
4		NS6090310SN		NUT 9/64-40						1	
5		SS3090610SP		SCREW 9/64-40 L=6						2	
6		13285903		FEED MECHANISM COVER						1	
7		13280201		FEED MECHANISM COVER GASKET A						1	
8		SM4050855SP		SCREW						5	
9		31250657		SIDE COVER ASM.						1	
10		SS4120615SP		SCREW 3/16-28 L=6						2	
11		31250806		LOOPER COVER						1	
12		31250707		LOOPER COVER BRACKET						1	
13		SM4041055SP		SCREW						2	
14		13101209		LOOPER COVER SPRING						1	
15		13101407		LOOPER COVER PRESSER PLATE						1	
16		SS7090530SP		SCREW 9/64-40 L=4.5						1	
17		13101001		LOOPER COVER GUIDE PLATE						1	
18		SS7090610SP		SCREW 9/64-40 L=6						1	
19		13101308		LOOPER COVER PRESSER SPRING						1	
20		SM4040655SP		SCREW M4 L=6						1	
21		CM300200001		ATTENTION SEAL						1	
22		13240007		LOOPER COVER HINGE SHAFT A	SELECTIVE PARTS					1	
23		13240106		LOOPER COVER HINGE SHAFT B	SELECTIVE PARTS					1	
24		13240205		LOOPER COVER HINGE SHAFT C	SELECTIVE PARTS					1	
25		12200408		GASKET B						1	
26		12200507		COVER						1	
27		RO315200100		RUBBER RING						1	
28		SS8110410TP		SCREW 11/64-40 L=3.5						1	
29		TA1450404R0		RUBBER PLUG D=14.5 L=4						1	
30		TA0980502R0		RUBBER PLUG						2	
31		TA2100904R0		RUBBER PLUG						1	
32		40011552		OIL SHIELD PLATE						1	
33		SM4040655SP		SCREW M4 L=6						2	
34		40150131		EAC_MARK_LABEL_S	FOR JE					1	

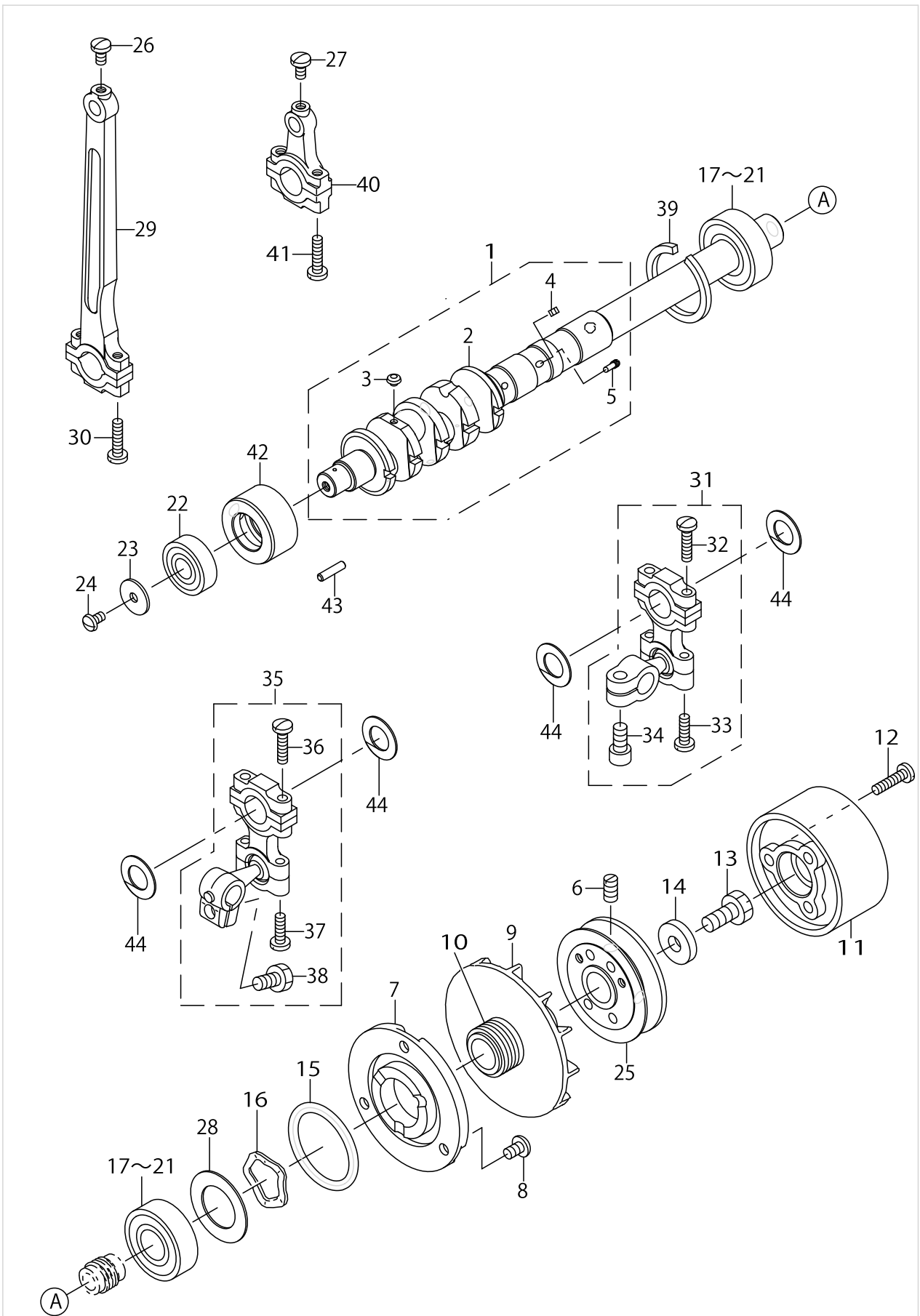
MISCELLANEOUS COVER COMPONENTS (2)



MISCELLANEOUS COVER COMPONENTS (2)

No.	Supply Code	Parts No.	Replacement	Parts name	Remarks	Choice	Step	Level	Cons	Qty	Rep. QTY
1		13200209		SIDE COVER						1	
2		13200308		SIDE COVER GASKET						1	
3		SM4040855SP		SCREW						3	
4		SM1040801SC		SCREW M4X0.7 L=8						1	
5		13200407		UPPER COVER						1	
6		13200605		UPPER COVER GASKET						1	
7		SM4051255SP		SCREW M5 L=12						5	
8		22924708		OIL SIGHT WINDOW						1	
9		13170006		RUBBER RING						1	
10		13104500		OIL DRAIN SCREW						1	
11		13170204		RUBBER RING						1	
12		13201009		COOLING FAN PLATE						1	
13		SM1040801SC		SCREW M4X0.7 L=8						1	
14		SM4040855SP		SCREW						2	
15		40037392		BELT COVER C						1	
16		40040065		VIBRATION PROOF RUBBER						1	
17		CM600100101		WEEE MARK LABEL S	FOR JE					1	
18		SS4151215SP		SCREW15/64-28L=12						3	
19		TA2050805R0		RUBBER PLUG						1	
20		12201117		OIL RESERVOIR						1	
21		RO074240100		RUBBER RING						1	
22		SM0081001SD		SCREW						1	
23		12201208		OIL RESERVOIR GASKET						1	
24		13103908		SCREW STUD						4	
25		WP0751576SD		WASHER 7.5X19X1.5						4	
26		WS0822010KP		SPRING WASHER 8.2X15X2						4	
27		NS6680410SP		NUT 9/32-28						4	
28		13201108		SAFETY PLATE BRACKET						1	
29		13104807		SAFETY PLATE BRACKET COLLAR						1	
30		WZ0850302K0		WAVED WASHER 8.5X12.5X0.3						1	
31		SS5110710SP		SCREW 11/64-40 L=7						1	
32		TA0800504R0		PLUG D=8 L=4.5						1	
33		13201207		SAFETY PLATE						1	
34		SS7090611SL		SCREW 9/64-40 L=6.1						2	
35		13204003		SAFETY PLATE BUSH						1	
36		CM301300001		SAFETY LABEL						1	
37		22901805		GROUND MARK						1	
38		13102900		THREAD GUIDE LARGE						2	
39		10753309		WINDOW PLATE RUBBER PLUG						1	
40		TA1470702R0		RUBBER PLUG						1	

CRANKSHAFT COMPONENTS

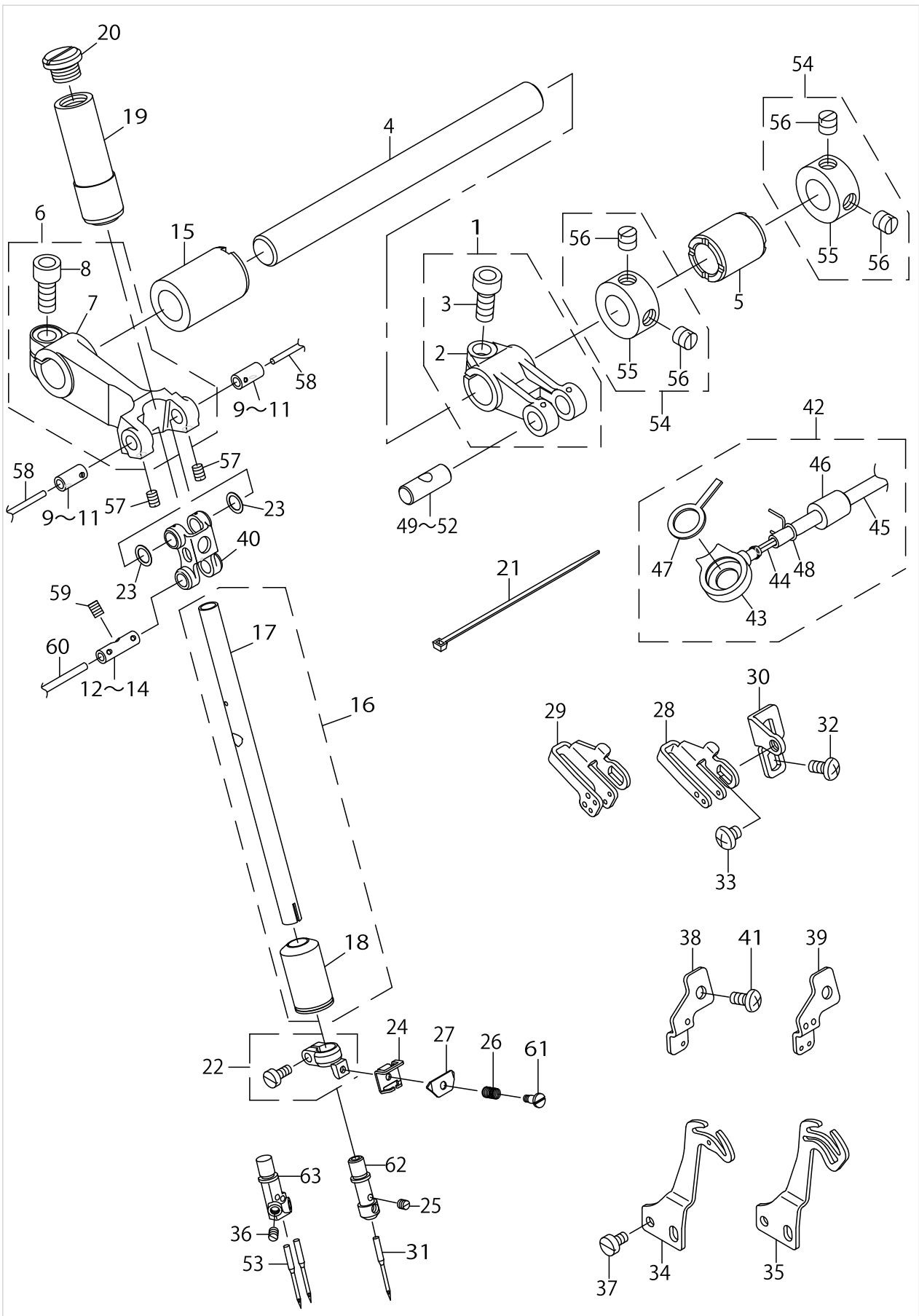


CRANKSHAFT COMPONENTS

No.	Supply Code	Parts No.	Replacement	Parts name	Remarks	Choice	Step	Level	Cons	Qty	Rep. QTY
1		40023373		MAIN SHAFT ASM.						1	
2		40023372		MAIN SHAFT				*		1	
3		SS5080212TP		SCREW 1/8-44 L=2				*		5	
4		SS8080410TP		SCREW 1/8-44 L=3.5				*		1	
5		31251804		OIL ADJUSTING SCREW				*		1	
6		SS8151150TP		SCREW 15/64-28 L=10.5						2	
7		13107800		THRUST COLLAR						1	
8		SM4050855SP		SCREW M5 L=8						3	
9		13108402		COOLING FAN						1	
10	R	12280103	13108501	OIL SHIELD						1	1.00
11		31251507		FLYWHEEL C						1	
12		SS7111810TP		SCREW 11/64-40L=18						3	
13		SS9681610TP		SCREW 9/32-28 L=16						1	
14		WP0764016SP		WASHER						1	
15		13170303		RUBBER RING						1	
16		WZ2640310KH		WAVED WASHER 26.4X33.9X3.5						1	
17		40017703		BEARING A	SELECTIVE PARTS					2	
18		40017704		BEARING B	SELECTIVE PARTS					2	
19		40017705		BEARING C	SELECTIVE PARTS					2	
20		40017706		BEARING D	SELECTIVE PARTS					2	
21		40017707		BEARING E	SELECTIVE PARTS					2	
22		12204202		CRANKSHAFT BALL BEARING D						1	
23		12204004		THRUST HOLDER						1	
24		SS5110740TP		SCREW 11/64-40 L=6.5						1	
25		13107602		HANDWHEEL (A)						1	
26		SS7110840SP		SCREW 11/64-40 L=7.8						1	
27		SS7110840SP		SCREW 11/64-40 L=7.8						1	
28		13108303		BEARING HOLDING PLATE						1	
29	R	12109104	13207550	CONNECTING ROD						1	1.00
30		SS7111810TP		SCREW 11/64-40L=18						2	
31		12122362		UPPER LOOPER ROD ASM.						1	
32		SS7111810TP		SCREW 11/64-40L=18				*		2	
33		SS7111410TP		SCREW 11/64-40L=14				*		2	
34		SM6061202TP		SCREW M6 L=12				*		1	
35		12215158		LOWER LOOPER ROD ASM. A						1	
36		SS7111810TP		SCREW 11/64-40L=18				*		2	
37		SS7111410TP		SCREW 11/64-40L=14				*		2	
38		SS9151210TP		SCREW 15/64-28 L=11.8				*		1	
39		B1212704000		BEARING RETAINER						1	
40	R	12132106	13232558	KNIFE DRIVING ROD ASM.						1	1.00
41		SS7111810TP		SCREW 11/64-40L=18						2	
42		40012383		CRANKSHAFT BUSHING C						1	
43		13281407		OIL ADJUSTING BAR						1	
44		40017824		LOOPER LOD STOPPER						4	



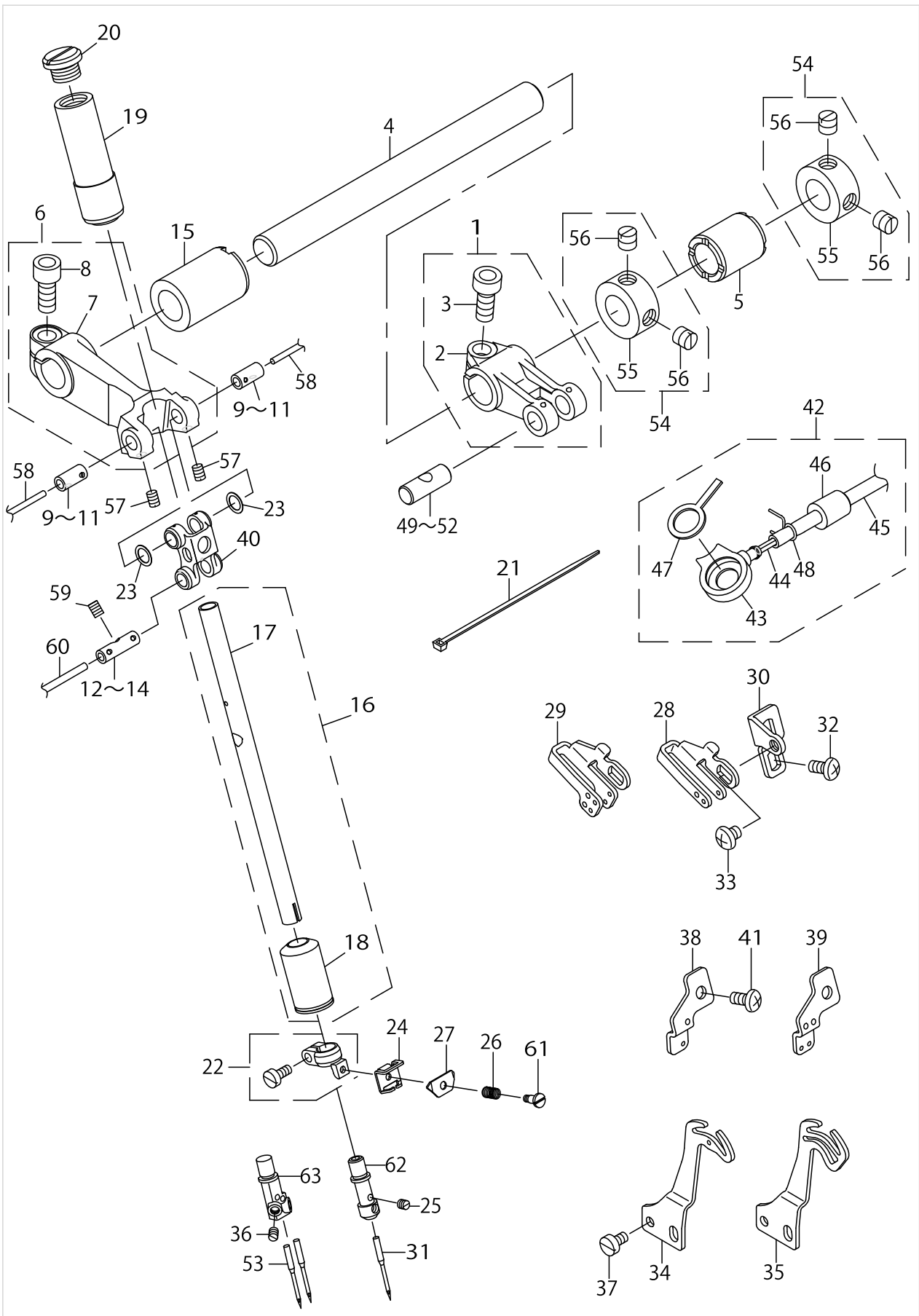
NEEDLE DRIVING SHAFT COMPONENTS



NEEDLE DRIVING SHAFT COMPONENTS

No.	Supply Code	Parts No.	Replacement	Parts name	Remarks	Choice	Step	Level	Cons	Qty	Rep. QTY
1		13110556		FEED FORKED CRANK ASM.						1	
2	R	13110507	13110556	NEEDLE DRIVING BRANCH CRANK				*		1	1.00
3		SM6061402TP		SCREW M6 L=14				*		1	
4		13110606		NEEDLE DRIVING SHAFT						1	
5	R	12280301	13110101	BUSHING REAR						1	1.00
6		13209853		NEEDLE DRIVING ARM ASM.						1	
7	R	13209804	13209853	NEEDLE DRIVING ARM				*		1	1.00
8		SM6061402TP		SCREW M6 L=14				*		1	
9		13209101		NEEDLE DRIVING ARM PIN A	SELECTIVE PARTS					2	
10		13209200		NEEDLE DRIVING ARM PIN B	SELECTIVE PARTS					2	
11		13209309		NEEDLE DRIVING ARM PIN C	SELECTIVE PARTS					2	
12		13209408		NEEDLE DRIVING PIN A	SELECTIVE PARTS					1	
13		13209507		NEEDLE DRIVING PIN B	SELECTIVE PARTS					1	
14		13209606		NEEDLE DRIVING PIN C	SELECTIVE PARTS					1	
15		13110002		BUSHING REAR						1	
16		13208350		NEEDLE ROD (A) ASM.						1	
17	R	13208301	13208350	NEEDLE ROD (A)				*		1	1.00
18	R	13207709	13208350	NEEDLE ROD BUSHING LOWER				*		1	1.00
19		13209705		NEEDLE ROD BUSHING UPPER						1	
20		13207808		NEEDLE ROD BUSHING CAP SCREW						1	
21		EA9500B0100		CABLE BAND						1	
22		13110259		NEEDLE CLAMP HOLDER ASM.						1	
23		13208103		NEEDLE DRIVING LINK WASHER						2	
24	R	12280905	13110705	NEEDLE THREAD PRESSER GUIDE A						1	1.00
25		SS8080310TP		SCREW 1/8-44 L=2.8	FOR MO-6904C					1	
26		13110903		NEEDLE THREAD PRESSER SPRING						1	
27		13111000		NEEDLE THREAD PRESSER PLATE A						1	
28		13208806		NEEDLE THREAD GUIDE	FOR MO-6904C					1	
29		13208905		THREAD GUIDE 2-NEEDLE	FOR MO-6914C					1	
30		13208707		NEEDLE THREAD GUIDE BASE						1	
31		MDC270B1100		NEEDLE DCX27 #11	FOR MO-6904C					1	
32		SM4040855SP		SCREW						2	
33		SS4110515SP		SCREW 11/64-40 L=5						1	
34		13111208		NEEDLE THREAD TAKE-UP LEVER	FOR MO-6904C					1	
35		13111307		TAKE-UP LEVER 2-NEEDLE	FOR MO-6914C					1	
36		SS8080310TP		SCREW 1/8-44 L=2.8	FOR MO-6914C					2	
37		SS6090670TP		SCREW 9/64-40 L=6						2	
38	R	12281705	13111505	TAKE-UP LEVER GUIDE	FOR MO-6904C					1	1.00
39	R	12281804	13111604	TAKE-UP LEVER GUIDE 2-NEEDLE	FOR MO-6914C					1	1.00
40		13208004		NEEDLE DRIVING LINK						1	
41		SM4040855SP		SCREW						1	
42		13282454		ONCE THROUGH OIL PIPE ASM.						1	
43		13208509		ONCE THROUGH OIL COVER				*		1	
44		CQ200000000		OIL WICK				*		1.02	
45		23630007		TUBE				*		0.5	

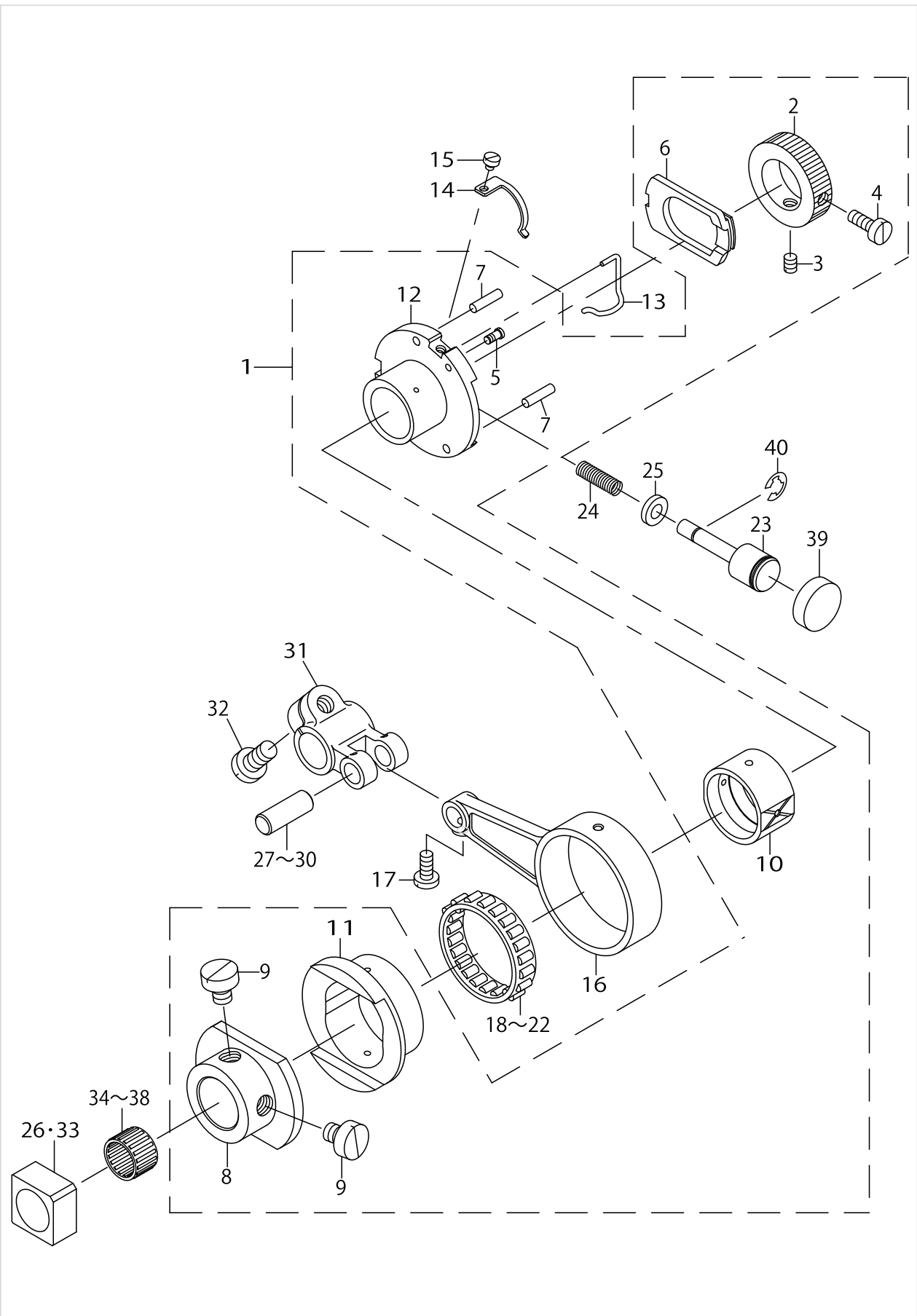
# NEEDLE DRIVING SHAFT COMPONENTS



NEEDLE DRIVING SHAFT COMPONENTS

No.	Supply Code	Parts No.	Replacement	Parts name	Remarks	Choice	Step	Level	Cons	Qty	Rep. QTY
46		13244009		ONCE THROUGH OIL PIPE BUSHING				*		1	
47		13208608		ONCE THROUGH OIL FELT				*		1	
48		13142609		PIPE CLAMP				*		1	
49		13122007		FEED BRANCH CRANK PIN A	SELECTIVE PARTS					1	
50		13122106		FEED BRANCH CRANK PIN B	SELECTIVE PARTS					1	
51		13122205		FEED BRANCH CRANK PIN C	SELECTIVE PARTS					1	
52		13122304		FEED BRANCH CRANK PIN D	SELECTIVE PARTS					1	
53		MDC270B1100		NEEDLE DCX27 #11	FOR MO-6914C					2	
54		13172754		THRUST COLLAR ASM.						2	
55		13172705		THRUST COLLAR				*		1	
56		SS8660610TP		SCREW 1/4-40 L=6				*		2	
57		SS8090530TP		SCREW 9/64-40 L=5.0						2	
58		CQ202000000		OIL WICK						.09	
59		SS8090530TP		SCREW 9/64-40 L=5.0						1	
60		CQ252000000		OIL WICK						.04	
61		SD0280401SL		HINGE SCREW D=2.8 H=4						1	
62		13175005		NEEDLE CLAMP 1-NEEDLE	FOR MO-6904C					1	
63		13175203		NEEDLE CLAMP 2-NEEDLE	FOR MO-6914C					1	

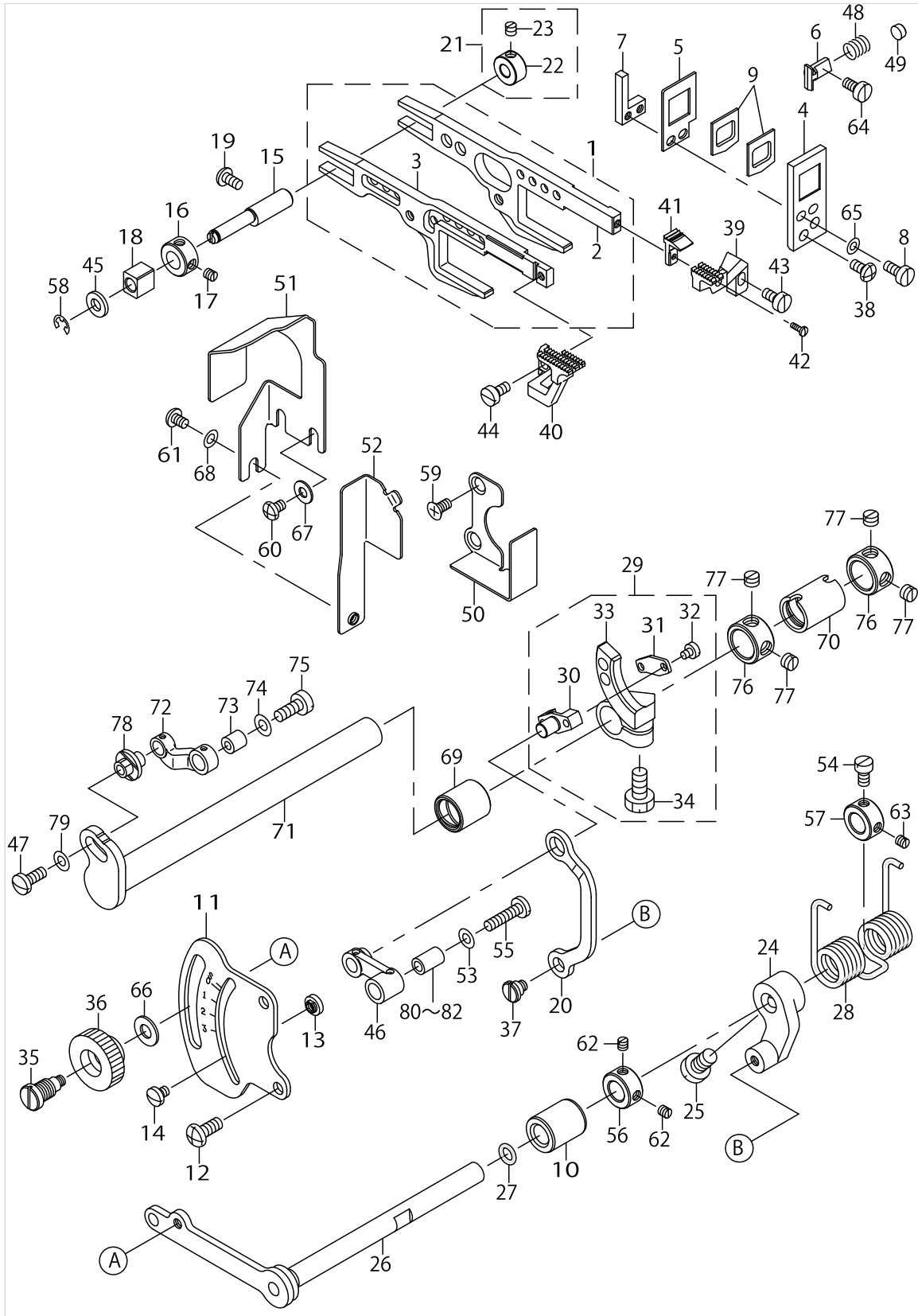
FEED MECHANISM COMPONENTS (1)



FEED MECHANISM COMPONENTS (1)

No.	Supply Code	Parts No.	Replacement	Parts name	Remarks	Choice	Step	Level	Cons	Qty	Rep. QTY
1		12208153		FEED CAM SUPPORT BASE						1	
2		12208708		RATCHET GEAR				*		1	
3		SS8110520TP		SCREW 11/64-40 L=4.5				*		1	
4		SS6111110SP		SCREW 11/64-40 L=11.0				*		1	
5		SD0260271SP		HINGE SCREW D=2.60 H=2.7				*		1	
6		12208500		RATCHET PAWL				*		1	
7		PS0300132KH		SPRING PIN 3X13				*		2	
8		12208104		FEED ECCENTRIC BODY				*		1	
9		SS6660710TP		SCREW 1/4-40 L=7				*		2	
10		12208302		SLIDE BLOCK				*		1	
11		12208203		FEED CAM				*		1	
12		12208401		FEED ADJUSTING CAM				*		1	
13		12208609		RATCHET PAWL SPRING						1	
14		12208807		RATCHET GEAR SPRING						1	
15		SS6080320SP		SCREW 1/8-44 L=2.5						1	
16		12208906		CRANK ROD						1	
17		SS7110910TP		SCREW 11/64-40 L=8.5						1	
18		SB33500020A		BEARING	SELECTIVE PARTS					1	
19		SB33500020B		BEARING	SELECTIVE PARTS					1	
20		SB33500020C		BEARING	SELECTIVE PARTS					1	
21		SB33500020D		BEARING	SELECTIVE PARTS					1	
22		SB33500020E		BEARING	SELECTIVE PARTS					1	
23		31256605		PUSH BOTTON STUD						1	
24		31256803		SPRING						1	
25		12118600		OIL SHEET						1	
26		13286604		SLIDE BLOCK B						1	
27		13122007		CRANK PIN A						1	
28		13122106		CRANK PIN B						1	
29		13122205		CRANK PIN C						1	
30		13122304		CRANK PIN D						1	
31		13285200		FEED BRANCH CRANK						1	
32		SS9151210TP		SCREW 15/64-28 L=11.8						1	
33		13286505		SLIDE BLOCK A						1	
34		SB31200030A		BEARING	SELECTIVE PARTS					1	
35	D	SB31200030B		BEARING	SELECTIVE PARTS					1	
36		SB31200030C		BEARING	SELECTIVE PARTS					1	
37	D	SB31200030D		BEARING	SELECTIVE PARTS					1	
38		SB31200030E		BEARING	SELECTIVE PARTS					1	
39		12211801		PUSH BOTTON CAP						1	
40		RE0320000K0		E-RING 3.2						1	

FEED MECHANISM COMPONENTS (2)

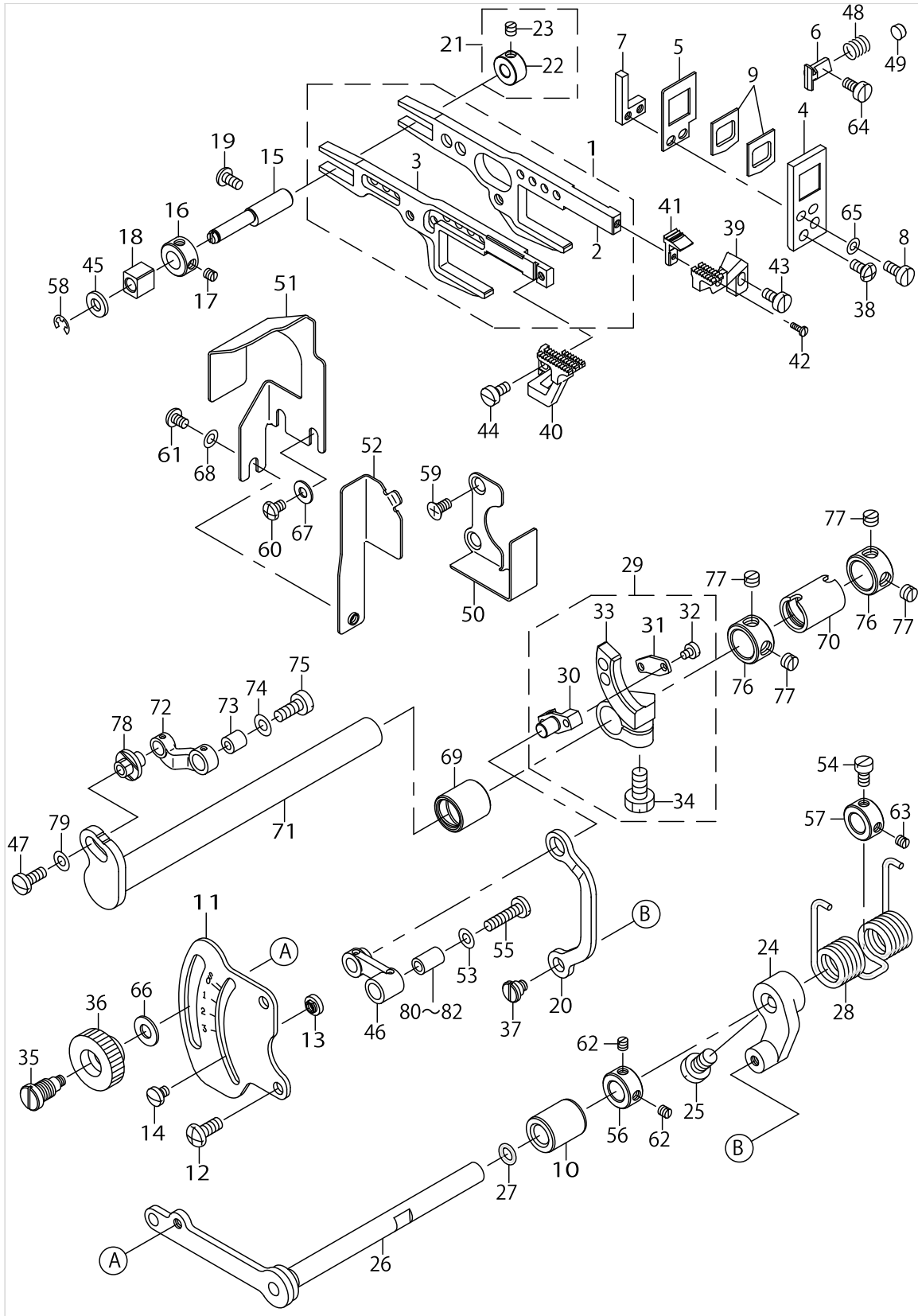


FEED MECHANISM COMPONENTS (2)

No.	Supply Code	Parts No.	Replacement	Parts name	Remarks	Choice	Step	Level	Cons	Qty	Rep. QTY
1		13285051		FEED ROCKER ASM.						1	
2		13285002		MAIN FEED BAR				*		1	
3		13285101		DIFFERENTIAL FEED BAR				*		1	
4		13286000		RUBBER CASE						1	
5		13285804		RUBBER PRESSER						1	
6		13285606		FEED BAR SUPPORT RIGHT						1	
7		13285705		FEED BAR SUPPOR LEFT						1	
8		SS6090910TP		SCREW 9/64-40 L=9						2	
9		13286109		DUST-PROOF RUBBER						2	
10		13122700		ADJUSTING SHAFT METAL						1	
11		12211603		DIFFERENTIAL FEED GRADUATION						1	
12		SM4050855SP		SCREW						2	
13		13121405		ADJUSTING STOPPER						2	
14		SS7090540TP		SCREW 9/64-40 L=5						2	
15		12210217		FEED BAR SUPPORT SHAFT						1	
16	R	CS0790731SH	CS079073ASH	THRUST COLLAR						1	1.00
17		SS8110410TP		SCREW 11/64-40 L=3.5						1	
18		12210308		SLIDE BLOCK						1	
19		SM4040855SP		SCREW						1	
20		13286406		ADJUSTING LINK						1	
21		13121256		SUPPORT SHAFT COLLAR ASM.						1	
22	R	13121207	13121256	SUPPORT SHAFT COLLAR				*		1	1.00
23		SS8110410TP		SCREW 11/64-40 L=3.5				*		1	
24		31256100		DIFFERENTIAL FEED ROCKER						1	
25		SS6660610TP		SCREW 1/4-40 L=6						1	
26		40011238		ROCKER SHAFT ASM.						1	
27		13170501		RUBBER RING						1	
28	D	12211504		SPRING						1	
29		12209458		SUB-FEED ARM ASM.						1	
30		12209508		PIN				*		1	
31		12209607		PIN COVER				*		1	
32		SS6080410SP		SCREW 1/8-44 L=4				*		2	
33	R	12209409	12209458	FEED ROCKER				*		1	1.00
34		SS9151210TP		SCREW 15/64-28 L=11.8				*		1	
35		13217401		DIFFERENTIAL FEED HINGE SCREW						1	
36		13217500		DIFFERENTIAL FEED LOCK NUT						1	
37		40011571		DIFFERENTIAL FEED ADJUST LINK						1	
38		SM4040855SP		SCREW						2	
39		12235206		MAIN FEED DOG						1	
40		12236709		DIFFERENTIAL FEED DOG						1	
41		12238101		AUXILIARY FEED DOG						1	
42		SS7060610SP		SCREW 3/32-56 L=5.5						1	
43		SS6090810TP		SCREW 9/64-40 L=7.5						1	
44		SS6090810TP		SCREW 9/64-40 L=7.5						1	
45		13121108		WASHER						1	
46		12209805		LINK						1	



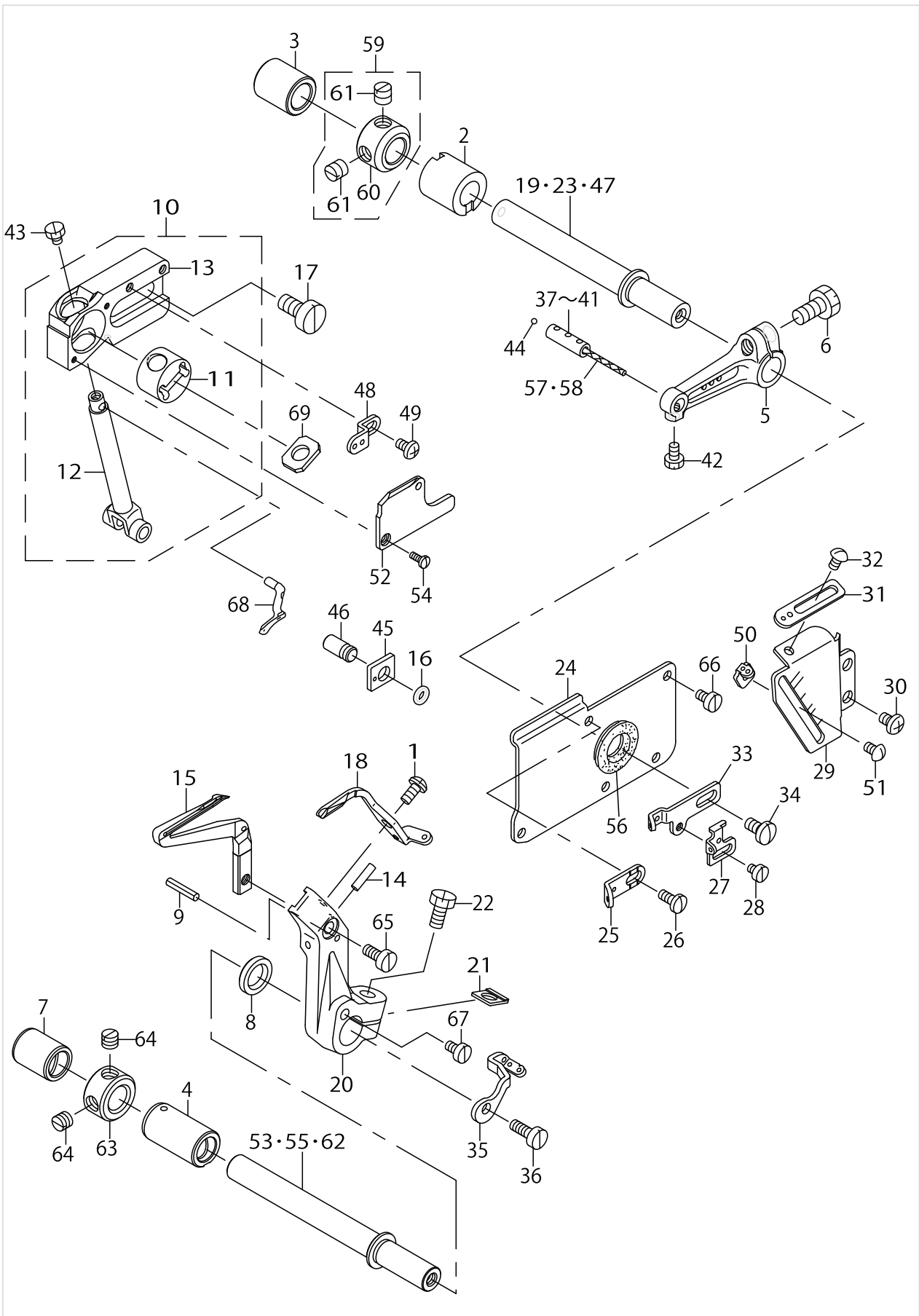
FEED MECHANISM COMPONENTS (2)



FEED MECHANISM COMPONENTS (2)

No.	Supply Code	Parts No.	Replacement	Parts name	Remarks	Choice	Step	Level	Cons	Qty	Rep. QTY
47		SS6111010TP		SCREW 11/64-40 L=9.5						1	
48		12210803		SPRING						1	
49		TA0570301M0		PLUG D=5.7X6.1 L=3						1	
50		13285309		OIL SHIELD PLATE A						1	
51		13285408		OIL SHIELD PLATE B						1	
52		13285507		OIL SHIELD PLATE C						1	
53		WP0451026SH		WASHER						1	
54		B1536804000		PIN						1	
55		SS7111810TP		SCREW 11/64-40L=18						1	
56		CS0870811SH		THRUST COLLAR D=8.73 W=8						1	
57		CS0870811SH		THRUST COLLAR D=8.73 W=8						1	
58		RE0400000K0		E-RING 4						1	
59		SM1040801SP		SCREW M4X0.7 L=8						2	
60		SM4040655SP		SCREW M4 L=6						2	
61		SM4040655SP		SCREW M4 L=6						1	
62		SS8110410TP		SCREW 11/64-40 L=3.5						2	
63		SS8110410TP		SCREW 11/64-40 L=3.5						1	
64		SS6110820TP		SCREW 11/64-40 L=8						1	
65		WP0371026SD		WASHER 3.7X7X1						2	
66		WP0621016SD		WASHER 6.2X13X1						1	
67		WP0450801SD		WASHER 4.5X10X0.8						2	
68		WP0430800SD		WASHER M4						1	
69		31255706		BUSHING FRONT						1	
70		31255805		BUSHING REAR						1	
71		12209102		ROCKER SHAFT						1	
72		12209300		MAIN FEED LINK						1	
73	D	B1620804000		COLLAR						1	
74		31255300		FEED DRIVING SLID- E BLOCK WASHE						1	
75		SS6121220TP		SCREW 3/16-28 L=11.5						1	
76		CS1201012SH		THRUST COLLAR						2	
77		SS8660410SP		SCREW 1/4-40 L=4.2						4	
78		12209201		MAIN FEED PIN						1	
79		B322877100B		BOBBIN WINDER SPACER						1	
80		40011564		COLLAR A	SELECTIVE PARTS					1	
81		40011565		COLLAR B	SELECTIVE PARTS					1	
82		40011566		COLLAR C	SELECTIVE PARTS					1	

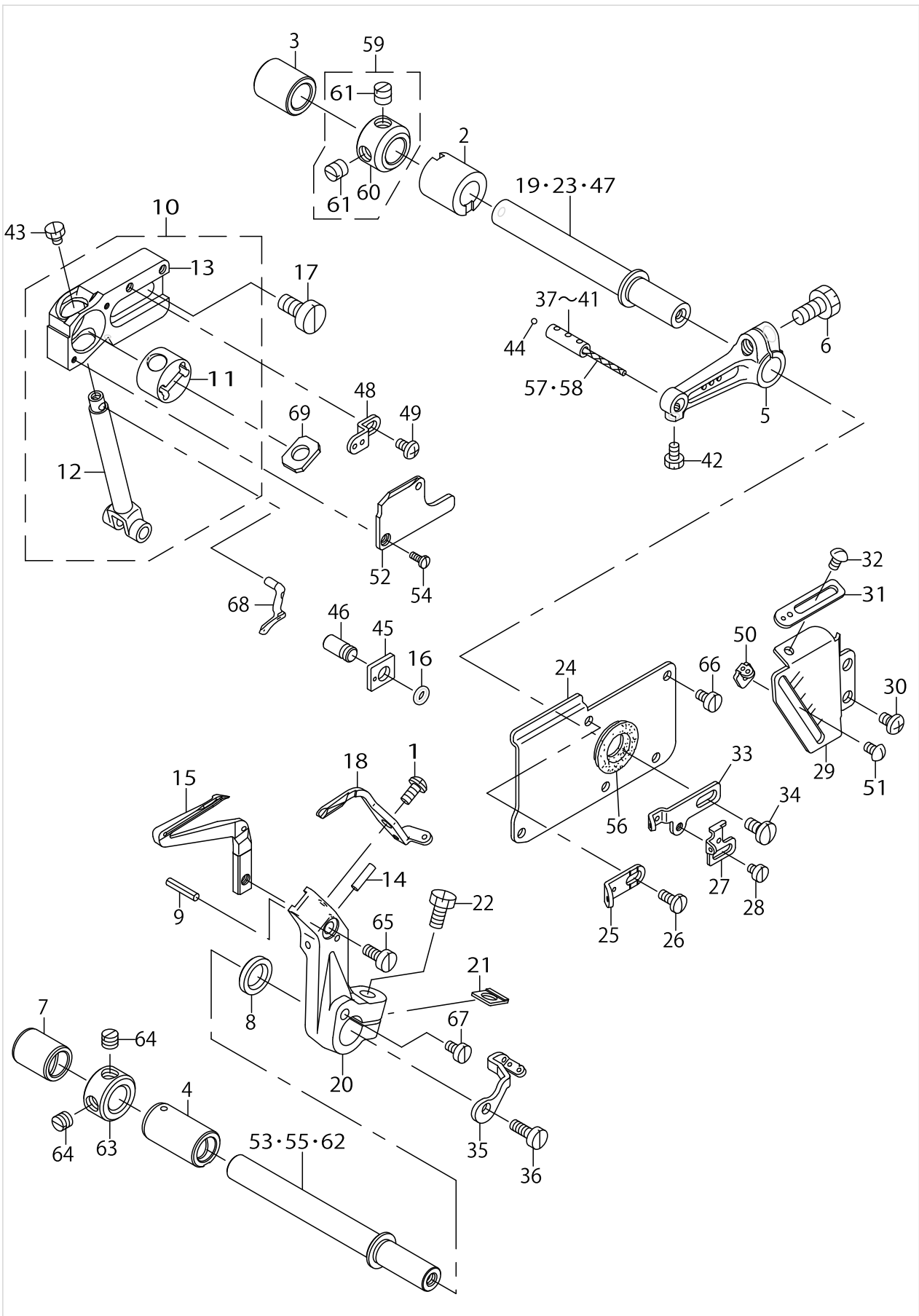
UPPER & LOWER LOOPER COMPONENTS



UPPER & LOWER LOOPER COMPONENTS

No.	Supply Code	Parts No.	Replacement	Parts name	Remarks	Choice	Step	Level	Cons	Qty	Rep. QTY
1		SS4080620TP		SCREW 1/8-44 L=6						1	
2		13222609		LOOPER SHAFT FRONT BUSHING						1	
3		13222708		LOOPER SHAFT REAR BUSHING						1	
4		13288006		LOOPER SHAFT FRONT BUSHING						1	
5		13289004		UPPER LOOPER ARM D						1	
6		SS9151210TP		SCREW 15/64-28 L=11.8						1	
7		13288105		LOOPER SHAFT REAR BUSHING						1	
8		12215406		OIL SEAL						1	
9		PS0200062KH		SPRING PIN 2X6						1	
10		40026017		GUIDE SUPPORT ASM.						1	
11	R	40011233	40015637	UPPER LOOPER GUIDE		A	A: MO6704-S/6716S/6-904R/6916R	*		1	1.00
11	R	40011233	40016841	UPPER LOOPER GUIDE		B	B: MO6714S/6914R	*		1	1.00
11	R	40011233	40026021	UPPER LOOPER GUIDE		C	C: MO6900G/6900J	*		1	1.00
11	R	40011233	40026019	UPPER LOOPER GUIDE		D	D: MO6903G	*		1	1.00
11	R	40011233	40026017	UPPER LOOPER GUIDE		E	E: MO6900C	*		1	1.00
12	R	40015636	40026017	UPPER LOOPER HOLDER		A	M02000(12214763)	*		1	1.00
12	R	40015636	40026428	UPPER LOOPER HOLDER		B	M02000(11834553)	*		1	1.00
12	R	40015636	40015637	UPPER LOOPER HOLDER		D	MO6000オー ハ <sup>^</sup> -/Overlock	*		1	1.00
12	R	40015636	40016841	UPPER LOOPER HOLDER		E	MO6000イン タ <sup>^</sup> -/Safety stitch	*		1	1.00
12	R	40015636	40093342	UPPER LOOPER HOLDER				*		1	1.00
12	R	40015636	40093342	UPPER LOOPER HOLDER				*		1	1.00
13	R	12214706	40026017	UPPER LOOPER GUIDE SUPPORT				*		1	1.00
13	R	12214706	40026017	UPPER LOOPER GUIDE SUPPORT				*		1	1.00
14		31262801		HOOK COVER PRESSER SPRING PIN						1	
15		12240107		LOWER LOOPER						1	
16		13170600		RUBBER RING						1	
17		SM6061200SP		SCREW M6 L=12						2	
18		12240602		TRAVELING NEEDLE GUARD						1	
19		13221403		UPPER LOOPER SHAFT A	SELECTIVE PARTS					1	
20		12215307		LOWER LOOPER ARM						1	
21		13129309		WASHER						1	
22		SS9151210TP		SCREW 15/64-28 L=11.8						1	
23		13221502		UPPER LOOPER SHAFT B	SELECTIVE PARTS					1	
24		12215554		OIL SHIELD PLATE ASM.						1	
25		12124202		UPPER LOOPER THREAD GUIDE						1	
26		SS7090850SP		SCREW 9/64-40 L=8						1	
27		12340709		LOWER LOOPER THREAD TAKE-UP						1	
28		SS6080410SP		SCREW 1/8-44 L=4						1	
29		13222401		LOOPER THREAD TAKE-UP COVER						1	
30		SM4040655SP		SCREW M4 L=6						2	
31		12340303		THREADGUIDERIGHT						1	
32		SS3090610SP		SCREW 9/64-40 L=6						1	
33		12340402		THREAD TAKE-UP RIGHT						1	

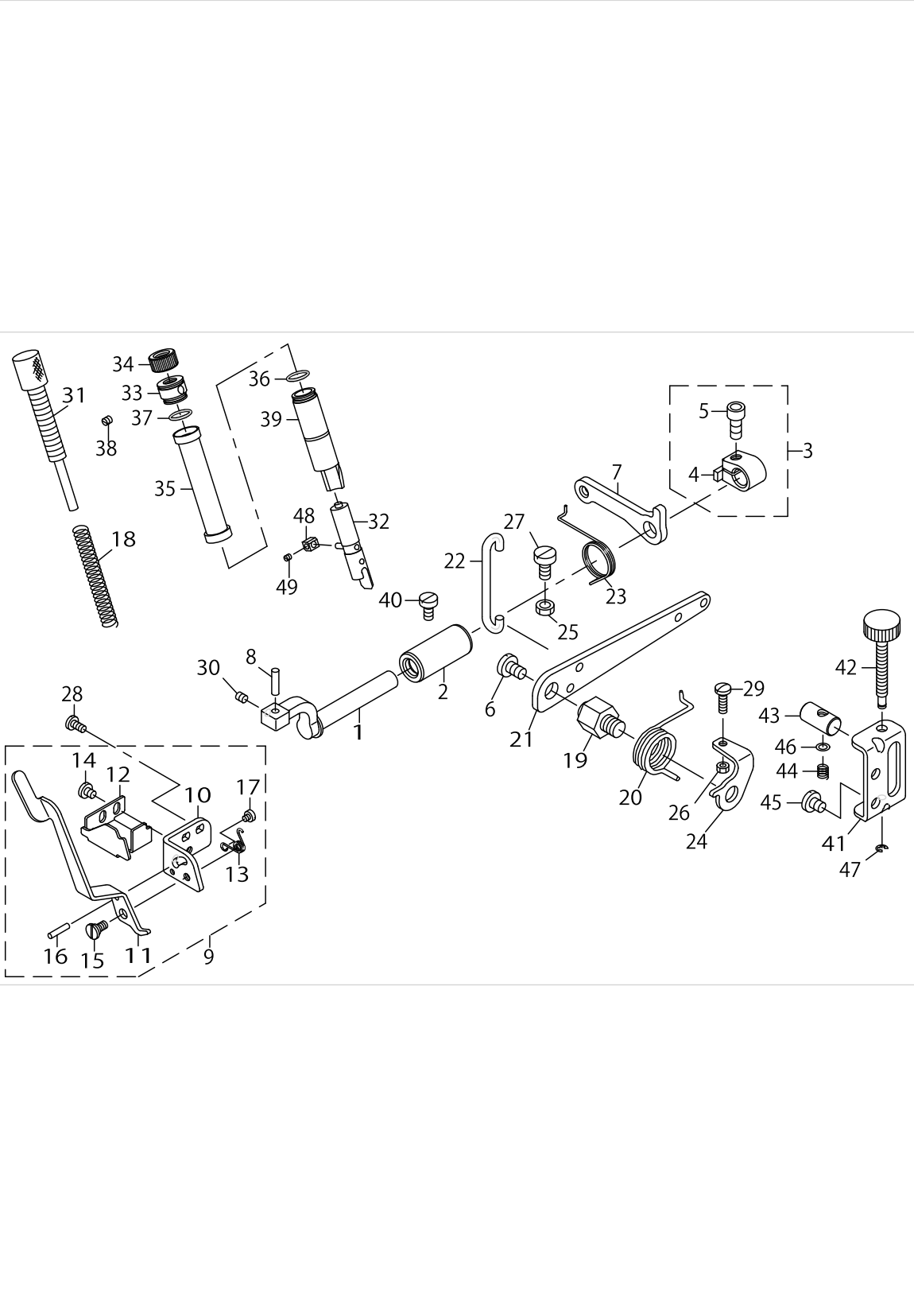
UPPER & LOWER LOOPER COMPONENTS



UPPER & LOWER LOOPER COMPONENTS

No.	Supply Code	Parts No.	Replacement	Parts name	Remarks	Choice	Step	Level	Cons	Qty	Rep. QTY
34		SS7110840SP		SCREW 11/64-40 L=7.8						1	
35		13287909		LOOPER THREAD TAKE-UP LEFT						1	
36		SS6111140SP		SCREW 11/64-40 L=11						1	
37		13131206		UPPER LOOPER HOLDER PIN A	SELECTIVE PARTS					1	
38		13131305		UPPER LOOPER HOLDER PIN B	SELECTIVE PARTS					1	
39	R	13131404	13131503	UPPER LOOPER HOLDER PIN C	SELECTIVE PARTS					1	1.00
40		13131503		UPPER LOOPER HOLDER PIN D	SELECTIVE PARTS					1	
41		13131602		UPPER LOOPER HOLDER PIN E	SELECTIVE PARTS					1	
42		SS9090610TP		SCREW 9/64-40 L=5.5						1	
43		SS9090410TP		SCREW						1	
44		13131701		OIL WICK STOPPER BALL						1	
45		13131909		GUIDE SUPPORT GAUGE						1	
46		13131800		GAUGE FIXING PIN						1	
47		13221601		UPPER LOOPER SHAFT C	SELECTIVE PARTS					1	
48		12215703		LOOPER THREAD GUIDE UPPER						1	
49		SS4090615SP		SCREW 9/64-40 L=6						1	
50		12340808		THREAD GUIDE						1	
51		SS3090610SP		SCREW 9/64-40 L=6						1	
52		12214805		UPPER LOOPER GUIDE COVER						1	
53		13287503		LOWER LOOPER SHAFT A	SELECTIVE PARTS					1	
54		SS7060610SP		SCREW 3/32-56 L=5.5						2	
55		13287602		LOWER LOOPER SHAFT B	SELECTIVE PARTS					1	
56		B2530704000		UPPER LOOPER SH- AFT RUBBER RING						1	
57		CQ200000000		OIL WICK						.04	
58		CQ202000000		OIL WICK						.04	
59		CS1031210SH		THRUST COLLAR A- SM. D=10.32 W=12						1	
60	R	CS1031219SH	CS1031210SH	THRUST COLLAR D=10.32 W=12				*		1	1.00
61		SS8660610TP		SCREW 1/4-40 L=6				*		2	
62		13287701		LOWER LOOPER SHAFT C	SELECTIVE PARTS					1	
63		CS1001011SH		THRUST COLLAR						1	
64		SS8660530TP		SCREW 1/4-40 L=4.5						2	
65		SS6090910TP		SCREW 9/64-40 L=9						1	
66		SS6090630TP		SCREW 9/64-40 L=6						4	
67		SS6090630TP		SCREW 9/64-40 L=6						1	
68		12247102		UPPER LOOPER						1	
69		40011234		DUST SEALING FELT						1	

PRESSER FOOT COMPONENTS (1)

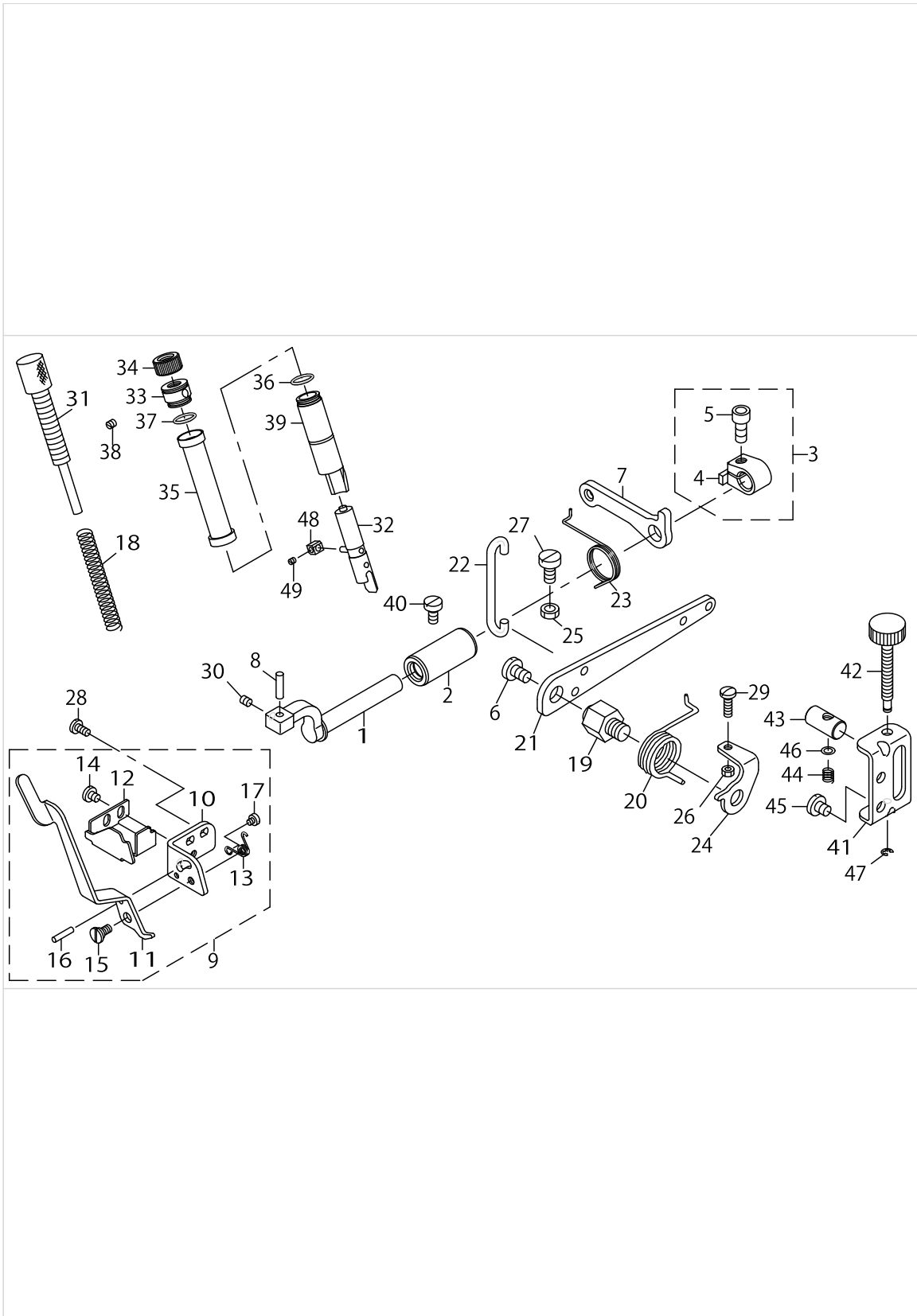


PRESSER FOOT COMPONENTS (1)

No.	Supply Code	Parts No.	Replacement	Parts name	Remarks	Choice	Step	Level	Cons	Qty	Rep. QTY
1	R	12113205	13115001	PRESSER FOOT SHAFT						1	1.00
2		13115100		PRESSER FOOT SHAFT BUSHING						1	
3		40096182		THRUST ARM ASM.						1	
4		40096181		THRUST ARM				*		1	
5		SM6061402TP		SCREW M6 L=14				*		1	
6		SS7161040SP		SCREW 1/4-24 L=9.5						1	
7		13116801		LIFTING ARM						1	
8		13115407		PRESSER FOOT ARM HINGE SHAFT						1	
9		13115753		PRESSER LIFTING LEVER BASE ASM.						1	
10		13115803		PRESSER LIFTING LEVER BASE				*		1	
11		13115902		PRESSER LIFTING LEVER				*		1	
12		13116009		PRESSER ARM STOPPER				*		1	
13		13116108		PRESSER FOOT LIFTING SPRING				*		1	
14		SS7110510SP		SCREW 11/64-40 L=5				*		2	
15		SD0640241SP		HINGE SCREW D=6.35 H=2.4				*		1	
16		PS0300142KH		SPRING PIN 0.3X14				*		1	
17		SS6080340SP		SCREW 1/8-44 L=2.9				*		1	
18		13116207		PRESSER FOOT SPRING						1	
19		13117007		PRESSER LIFTING LEVER SCREW						1	
20		12206702		LIFTING LEVER SPRING						1	
21		13116900		PRESSER LIFTING LEVER						1	
22	R	11819414	13116405	LIFTING HOOK						1	1.00
23		13116504		LIFTING LEVER ARM SPRING						1	
24		12206603		LEVER STOPPER						1	
25		NM6060003SC		NUT M6						1	
26		NS6110420SP		NUT 11/64-40						1	
27		SM6061200SP		SCREW M6 L=12						1	
28		SS7110840SP		SCREW 11/64-40 L=7.8						2	
29		SS7111410TP		SCREW 11/64-40 L=14						1	
30		SM8050412TP		SCREW M5 L=4						1	
31		40034897		PRESSER ADJUSTING SCREW						1	
32		13115654		PRESSER BAR ASM.						1	
33		12288700		PRESSER REGULATOR SCREW WASHER						1	
34		13117106		PRESSER REGULATOR NUT						1	
35		13212709		PRESSER BAR COVER						1	
36		13170402		RUBBER RING						1	
37		13170402		RUBBER RING						2	
38		SM8040402TP		SCREW M4X0.7 L=4						1	
39		13212501		PRESSER BAR BUSHING						1	
40		SS6121020SP		SCREW 3/16-28 L=9.5						1	
41		13283700		ADJUSTING BASE						1	
42		13213012		ADJUSTING SCREW						1	
43		13212915		ADJUSTING BLOCK						1	
44		13123302		ADJUSTING SPRING						1	
45		SS7150740SP		SCREW 15/64-28 L=7						2	



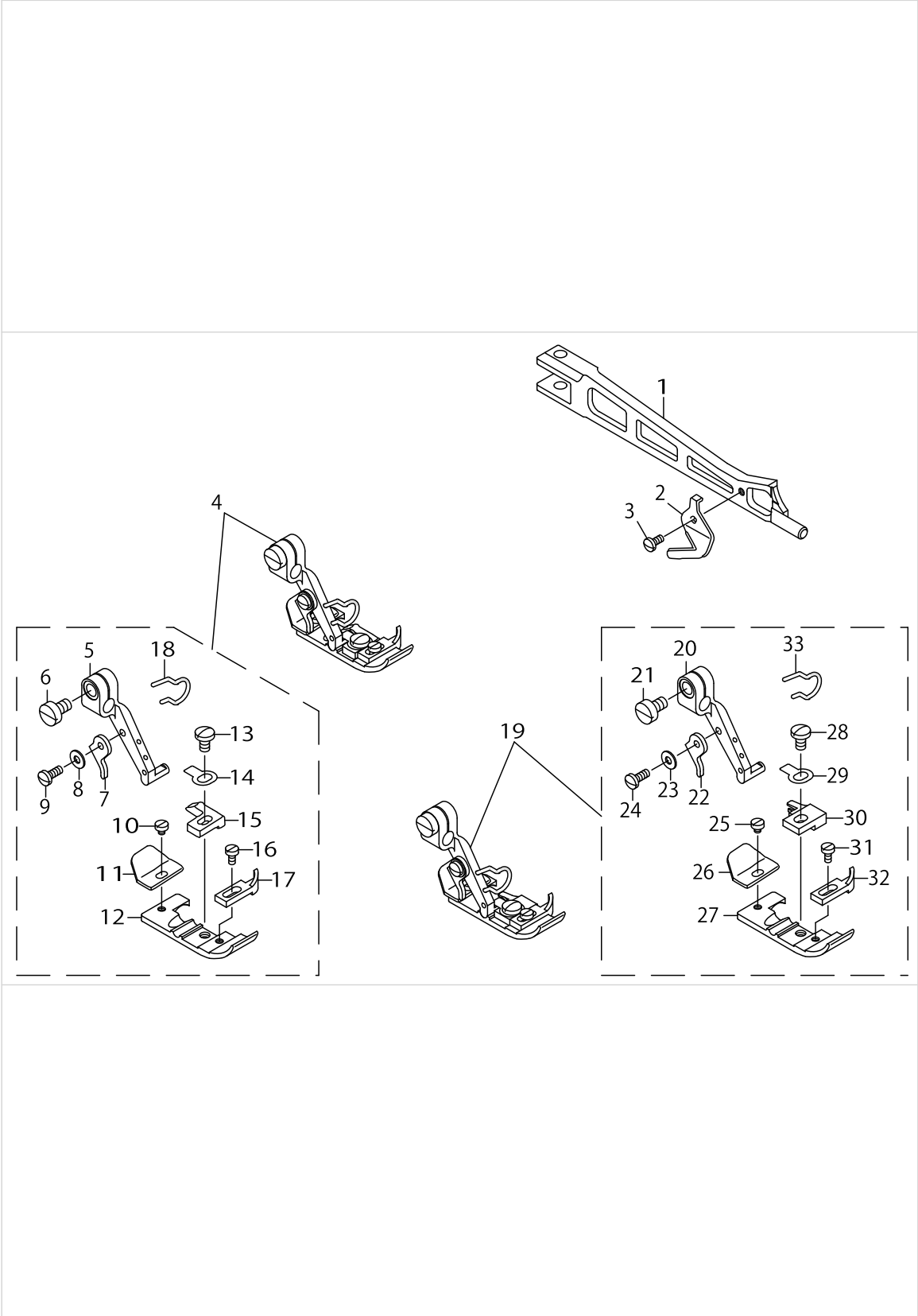
PRESSER FOOT COMPONENTS (1)



PRESSER FOOT COMPONENTS (1)

No.	Supply Code	Parts No.	Replacement	Parts name	Remarks	Choice	Step	Level	Cons	Qty	Rep. QTY
46		WP0460556SD		WASHER 4.6X7.5X0.5						1	
47		RE0300000K0		E-RING 3						1	
48		70004672		SLIDE BLOCK						1	
49		SS8080310TP		SCREW 1/8-44 L=2.8						1	

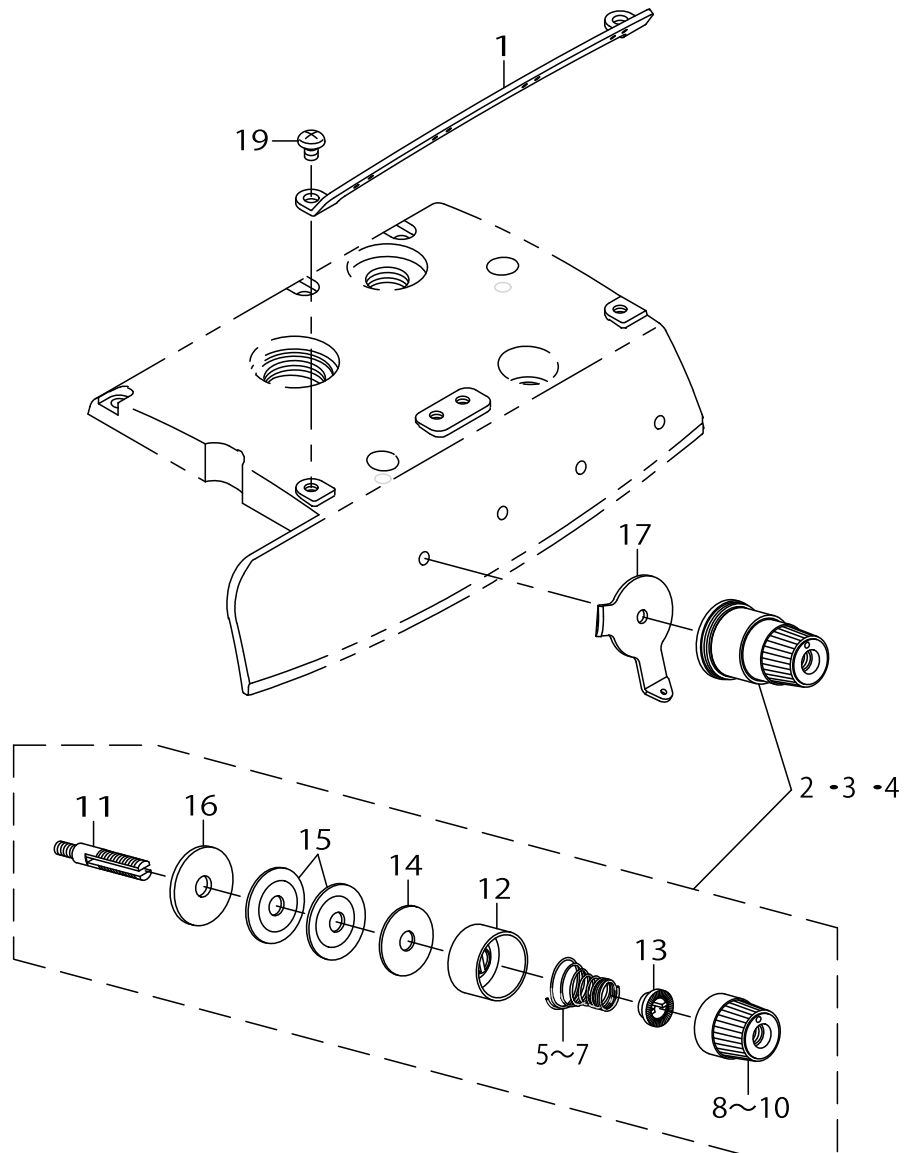
PRESSER FOOT COMPONENTS (2)



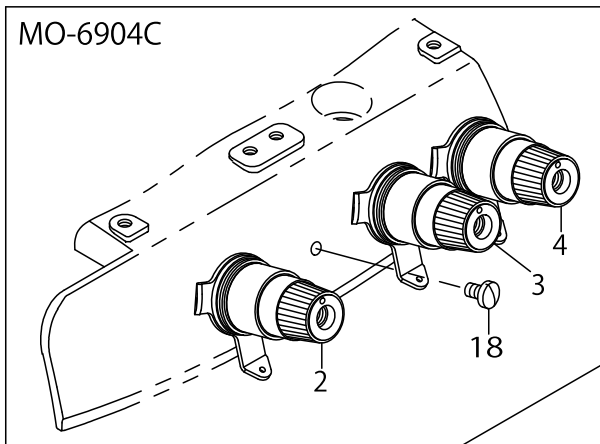
PRESSER FOOT COMPONENTS (2)

No.	Supply Code	Parts No.	Replacement	Parts name	Remarks	Choice	Step	Level	Cons	Qty	Rep. QTY
1		12253829		PRESSER FOOT ARM						1	
2		13116702		THREAD TRIMMER						1	
3		SS7060510SP		SCREW 3/32-56 L=4.8						1	
4		12230165		PRESSER ASM.	FOR MO-6904C					1	
5		11872009		PRESSER FOOT HINGE				*		1	
6	R	SS6090670SP	SS6090670TP	SCREW 9/64-40 L=6				*		1	1.00
7		B1530804000		STOPPER				*		1	
8		WP0250516SD		WASHER 2.5X6X0.5				*		1	
9		SS7060610SP		SCREW 3/32-56 L=5.5				*		1	
10		SS6060210SP		SCREW 3/32-56 L=1.9				*		1	
11		B1511814000		REARPRESSERFOOT				*		1	
12		12232104		PRESSER FOOT				*		1	
13		SS7080520SP		SCREW 1/8-44 L=4.9				*		1	
14		B150880400B		SPRING				*		1	
15		B1509804C00		STITCH TONGUE				*		1	
16		SS6060440TP		SCREW 3/32-56 L=3.5				*		1	
17		B1510814000		CURL GUARD				*		1	
18		13178306		FINGER GUIDE				*		1	
19		12230264		PRESSER ASM.	FOR MO-6914C					1	
20		11872009		PRESSER FOOT HINGE				*		1	
21	R	SS6090670SP	SS6090670TP	SCREW 9/64-40 L=6				*		1	1.00
22		B1530804000		STOPPER				*		1	
23		WP0250516SD		WASHER 2.5X6X0.5				*		1	
24		SS7060610SP		SCREW 3/32-56 L=5.5				*		1	
25		SS6060210SP		SCREW 3/32-56 L=1.9				*		1	
26		B1511814000		REARPRESSERFOOT				*		1	
27		12232104		PRESSER FOOT				*		1	
28		SS7080520SP		SCREW 1/8-44 L=4.9				*		1	
29		B150880400B		SPRING				*		1	
30		B150981400P		STITCH TONGUE				*		1	
31		SS6060440TP		SCREW 3/32-56 L=3.5				*		1	
32		B1510814000		CURL GUARD				*		1	
33		13178306		FINGER GUIDE				*		1	

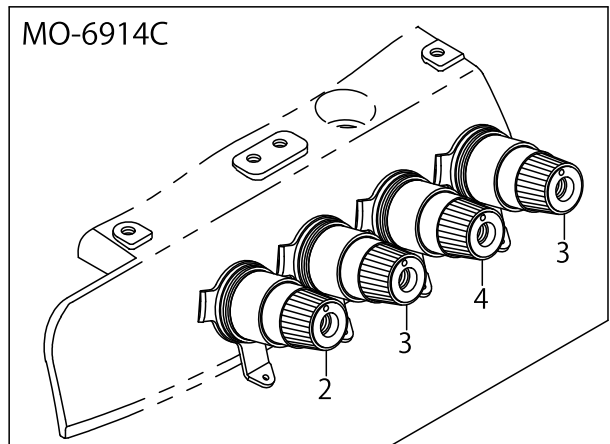
THREAD TENSION COMPONENTS



MO-6904C



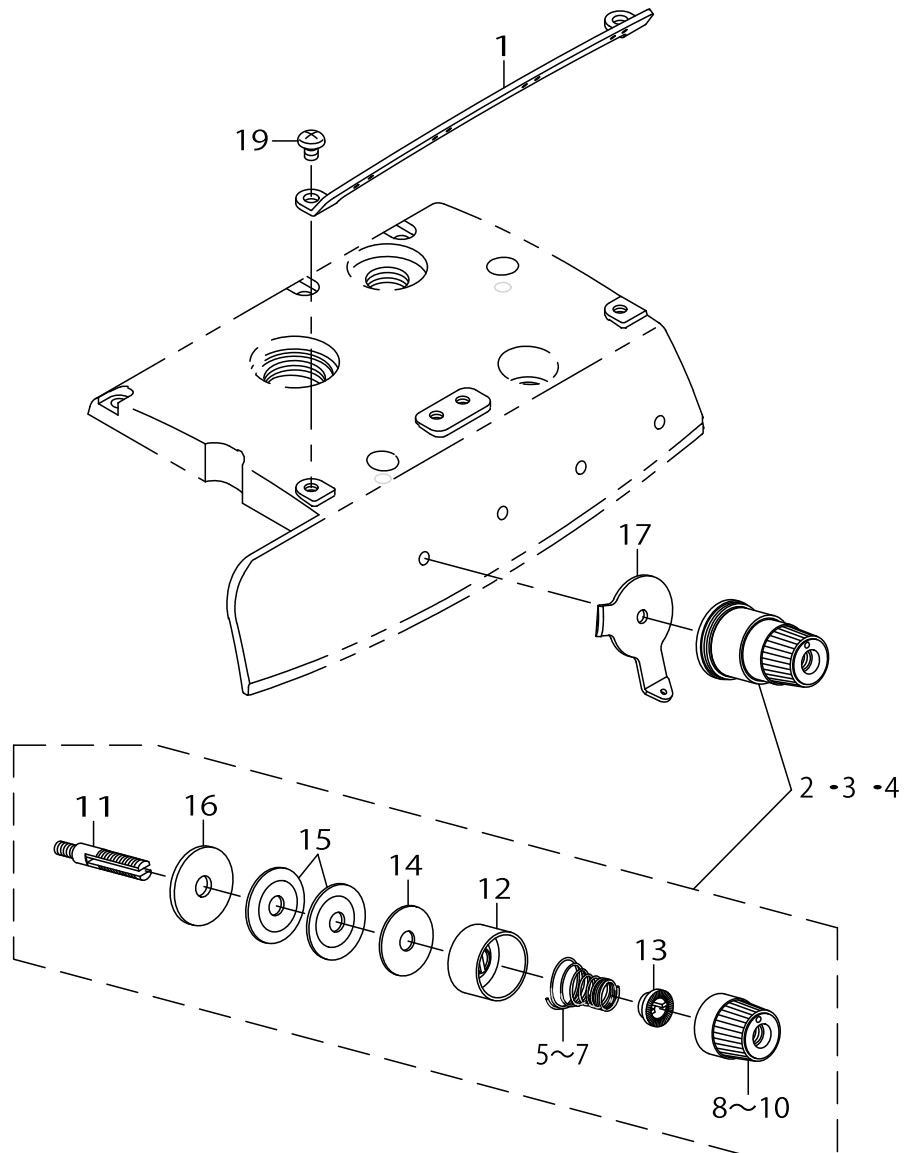
MO-6914C



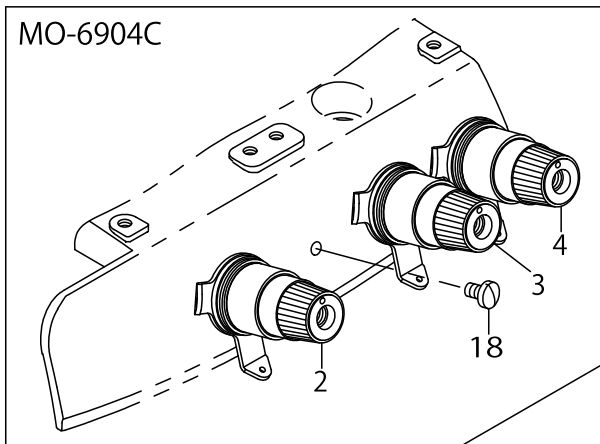
THREAD TENSION COMPONENTS

No.	Supply Code	Parts No.	Replacement	Parts name	Remarks	Choice	Step	Level	Cons	Qty	Rep. QTY
1		13225008		CENTER THREAD GUIDE						1	
2	R	12284758	13137559	THREAD TENSION SPRING JUNCTION		A				1	1.00
2	R	12284758	12285904	THREAD TENSION SPRING JUNCTION						1	1.00
3	R	12284857	13138359	THREAD TENSION SPRING JUNCTION	FOR MO-6-904C(1 PC. IS USED.) FOR MO-6-914C(2 PC. ARE USED.)	A				1	1.00
3	R	12284857	12285904	THREAD TENSION SPRING JUNCTION	FOR MO-6-904C(1 PC. IS USED.) FOR MO-6-914C(2 PC. ARE USED.)					1	1.00
4	R	12284956	13138656	THREAD TENSION SPRING JUNCTION		A				1	1.00
4	R	12284956	12285904	THREAD TENSION SPRING JUNCTION						1	1.00
5	R	12284709	13137807	TENSIONSPRINGRED				*		1	1.00
6	R	12284808	13138508	TENSION SPRING YELLOW				*		1	1.00
7	R	12284907	13138805	TENSION SPRING BLUE				*		1	1.00
8	R	12285003	13137559	THREAD TENSION KNOB RED		A		*		1	1.00
8	R	12285003	12285904	THREAD TENSION KNOB RED				*		1	1.00
9	R	12285102	13138359	THREAD TENSION KNOB YELLOW		A		*		1	1.00
9	R	12285102	12285904	THREAD TENSION KNOB YELLOW				*		1	1.00
10	R	12285201	13138656	THREAD TENSION KNOB BLUE		A		*		1	1.00
10	R	12285201	12285904	THREAD TENSION KNOB BLUE				*		1	1.00
11	R	12285300	13137559	TENSION POST		A		*		1	1.00
11	R	12285300	13138656	TENSION POST		A		*		1	1.00
11	R	12285300	13138359	TENSION POST		A		*		1	1.00
11	R	12285300	12285904	TENSION POST				*		1	1.00
11	R	12285300	12285904	TENSION POST				*		1	1.00
11	R	12285300	12285904	TENSION POST				*		1	1.00
12	R	12285409	13137559	TENSION DISK PRESSER		A		*		1	1.00
12	R	12285409	13138656	TENSION DISK PRESSER		A		*		1	1.00
12	R	12285409	13138359	TENSION DISK PRESSER		A		*		1	1.00
12	R	12285409	12285904	TENSION DISK PRESSER				*		1	1.00
12	R	12285409	12285904	TENSION DISK PRESSER				*		1	1.00
12	R	12285409	12285904	TENSION DISK PRESSER				*		1	1.00
13	R	12285508	13137559	TENSION SPRING BUSHING		A		*		1	1.00
13	R	12285508	13138656	TENSION SPRING BUSHING		A		*		1	1.00
13	R	12285508	13138359	TENSION SPRING BUSHING		A		*		1	1.00
13	R	12285508	12285904	TENSION SPRING BUSHING				*		1	1.00
13	R	12285508	12285904	TENSION SPRING BUSHING				*		1	1.00
13	R	12285508	12285904	TENSION SPRING BUSHING				*		1	1.00
14	R	12285607	13137559	THREAD TENSION SPRING FELT		A		*		1	1.00
14	R	12285607	13138656	THREAD TENSION SPRING FELT		A		*		1	1.00
14	R	12285607	13138359	THREAD TENSION SPRING FELT		A		*		1	1.00
14	R	12285607	12285904	THREAD TENSION SPRING FELT				*		1	1.00
14	R	12285607	12285904	THREAD TENSION SPRING FELT				*		1	1.00

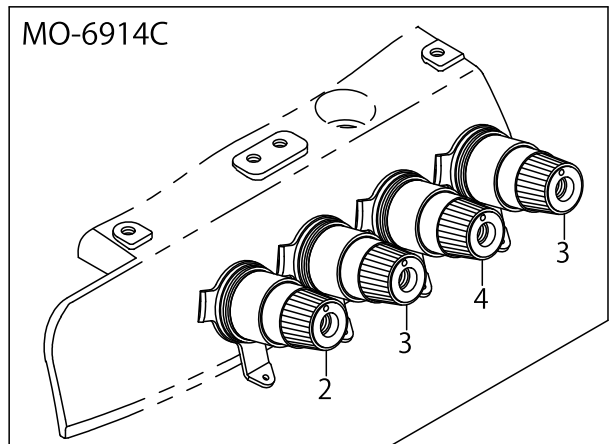
THREAD TENSION COMPONENTS



MO-6904C



MO-6914C

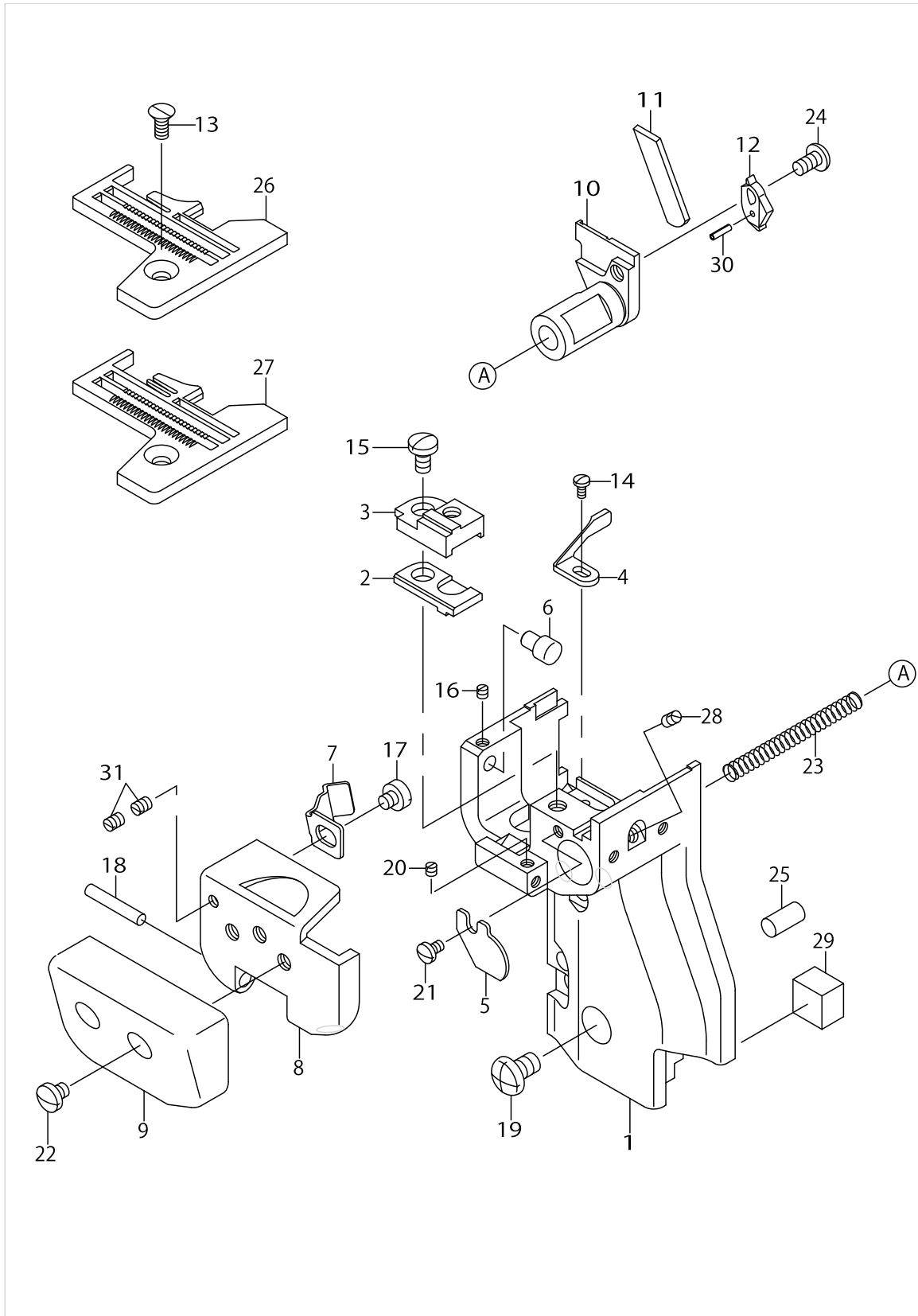


THREAD TENSION COMPONENTS

No.	Supply Code	Parts No.	Replacement	Parts name	Remarks	Choice	Step	Level	Cons	Qty	Rep. QTY
14	R	12285607	12285904	THREAD TENSION SPRING FELT				*		1	1.00
15	R	12285706	13137559	THREAD TENSION DISK		A		*		2	1.00
15	R	12285706	13138656	THREAD TENSION DISK		A		*		2	1.00
15	R	12285706	13138359	THREAD TENSION DISK		A		*		2	1.00
15	R	12285706	12285904	THREAD TENSION DISK				*		2	1.00
15	R	12285706	12285904	THREAD TENSION DISK				*		2	1.00
15	R	12285706	12285904	THREAD TENSION DISK				*		2	1.00
16	R	12285805	13137559	THREAD TENSION RUBBER		A		*		1	1.00
16	R	12285805	13138656	THREAD TENSION RUBBER		A		*		1	1.00
16	R	12285805	13138359	THREAD TENSION RUBBER		A		*		1	1.00
16	R	12285805	12285904	THREAD TENSION RUBBER				*		1	1.00
16	R	12285805	12285904	THREAD TENSION RUBBER				*		1	1.00
16	R	12285805	12285904	THREAD TENSION RUBBER				*		1	1.00
17		13225107		TESION DISK THREAD GUIDE						1	
18		SS7110710SL		SCREW 11/64-40 L=7.0	FOR MO-6904C					1	
19		SS4110615SP		SCREW 11/64-40 L=6						2	



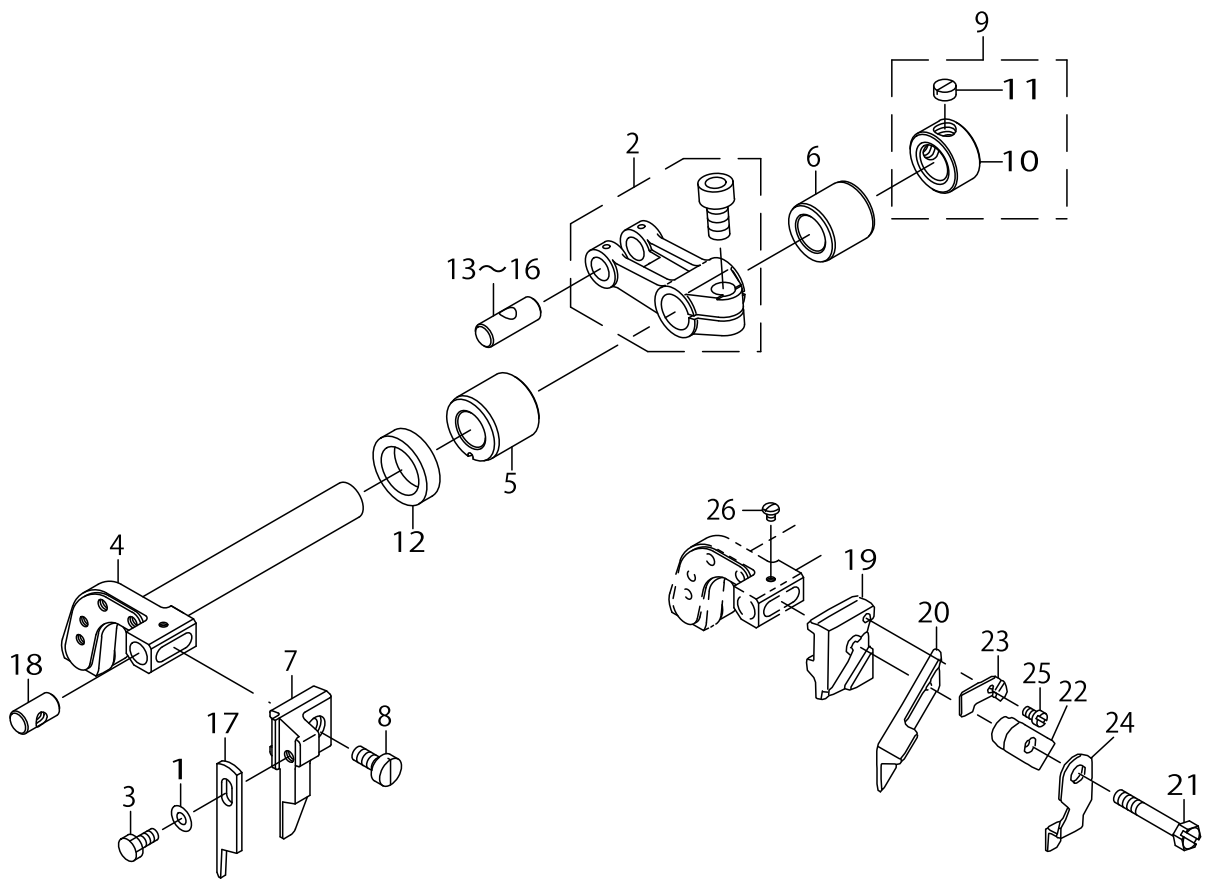
LOWER KNIFE COMPONENTS



LOWER KNIFE COMPONENTS

No.	Supply Code	Parts No.	Replacement	Parts name	Remarks	Choice	Step	Level	Cons	Qty	Rep. QTY
1		12219101		CYLINDER BRACKET						1	
2		12219903		THRORT PLATE BASE LOWER						1	
3		12219804		THRORT PLATE BASE UPPER						1	
4		12240701		NEEDLE GUARD						1	
5		31261100		SPRING STOPPER						1	
6		31260607		PIN						1	
7		12219507		SPRING						1	
8		12219200		COVER BASE						1	
9		31260359		CYLINDER COVER ASM.						1	
10		31261001		LOWER KNIFE SLIDE STUD						1	
11		12220307		LOWER KNIFE						1	
12		12220208		LOWER KNIFE PRESSER PRATE						1	
13		SS2110910SL		SCREW 11/64-40 L=9						1	
14		SS7060510SP		SCREW 3/32-56 L=4.8						1	
15		SS7110840SP		SCREW 11/64-40 L=7.8						1	
16		SS8080310TP		SCREW 1/8-44 L=2.8						1	
17		SS6110480SP		SCREW 11/64-40 L=4.3						1	
18		11111705		WIPER SOLENOID PIN						1	
19		SM4050855SP		SCREW						3	
20		SS8080310TP		SCREW 1/8-44 L=2.8						1	
21		SS7080520SP		SCREW 1/8-44 L=4.9						1	
22		SS7110510SP		SCREW 11/64-40 L=5						2	
23		31261209		SPRING						1	
24		SS4110815SP		SCREW 11/64-40 L=8						1	
25		12219705		PIN						2	
26		R4300K6EE00		THROAT PLATE	FOR MO-6904C					1	
27		R4305K6EE00		THROAT PLATE BE6	FOR MO-6914C					1	
28		SS8110422TP		SCREW 11/64-40 L=4						1	
29		12220604		BRACKET						1	
30		PS0150065KP		SPRING PIN 1.5X6						1	
31		SS8080410TP		SCREW 1/8-44 L=3.5						1	

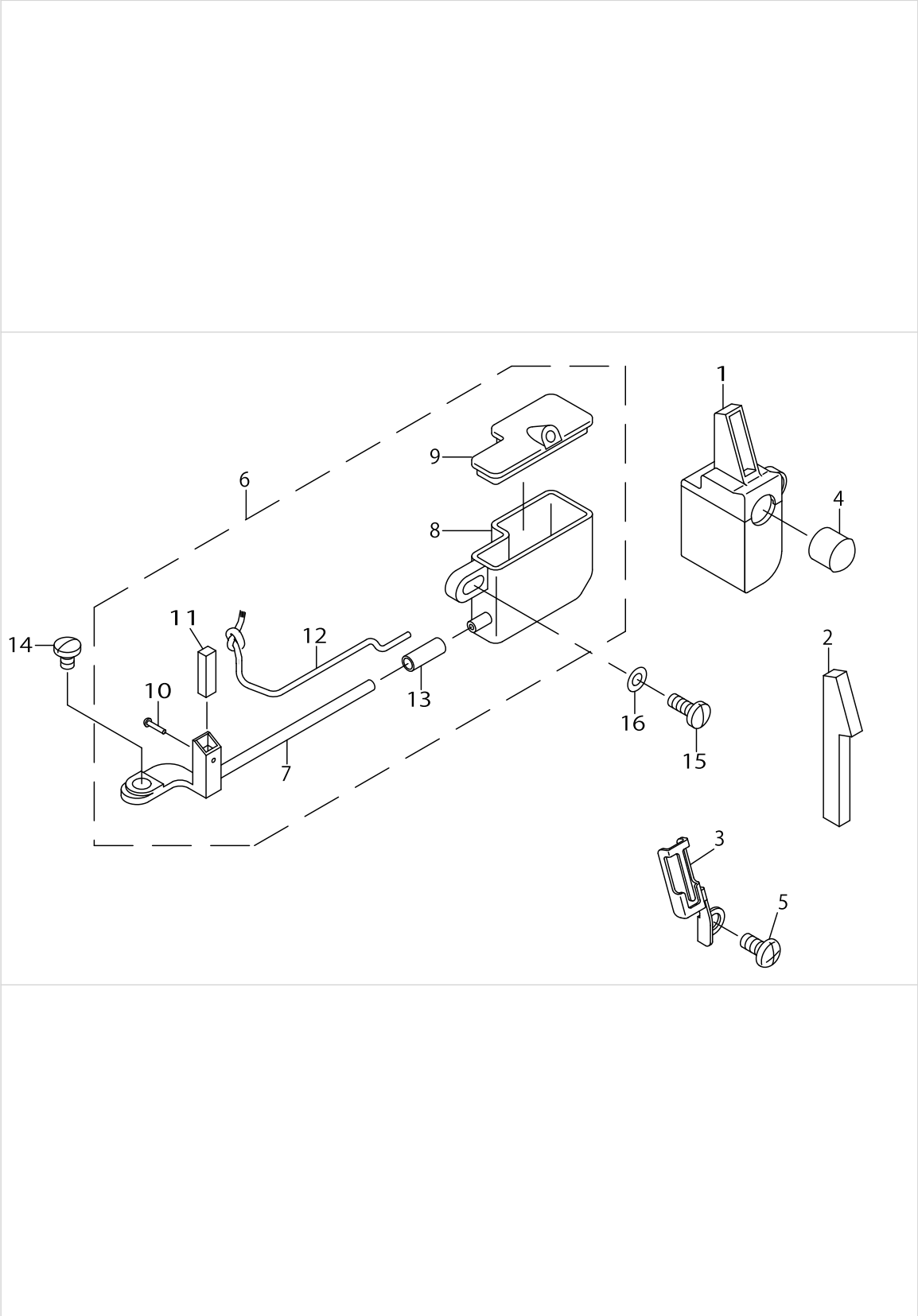
UPPER KNIFE COMPONENTS



UPPER KNIFE COMPONENTS

No.	Supply Code	Parts No.	Replacement	Parts name	Remarks	Choice	Step	Level	Cons	Qty	Rep. QTY
1		WP0370316SD		WASHER 3.7X8X0.3	EXCEPT JE					1	
2		13147558		FEED FORKED ARM ASM.						1	
3		SS9090823TP		BOLT 9/64-40 L=8	EXCEPT JE					1	
4		13151303		KNIFE DRIVING ARM SHAFT						1	
5		13150909		BUSHING FRONT						1	
6		13151006		BUSHING REAR						1	
7		13147400		PLAIN KNIFE SUPPORT A	EXCEPT JE					1	
8		SS6111040SP		SCREW 11/64-40 L=9.5	EXCEPT JE					1	
9		CS111101HSH		THRUST COLLAR ASM.						1	
10		CS1111019SH		THRUST COLLAR D=11.11 W=10				*		1	
11		SS8660330SP		SCREW 1/4-40 L=3.0				*		1	
12		11566809		OIL SEAL						1	
13		13122007		CRANK PIN A	SELECTIVE PARTS					1	
14		13122106		CRANK PIN B	SELECTIVE PARTS					1	
15		13122205		CRANK PIN C	SELECTIVE PARTS					1	
16		13122304		CRANK PIN D	SELECTIVE PARTS					1	
17		13150503		PLAIN KNIFE	EXCEPT JE					1	
18		13150800		UPPER KNIFE GUIDE SHAFT						1	
19		11598000		UPPER KNIFE SUPPORT	FOR JE					1	
20		11845807		UPPER KNIFE	FOR JE					1	
21		SS9111610SP		SCREW 11/64-40 L=16	FOR JE					1	
22		11565504		UPPER KNIFE PRESSER PLATE	FOR JE					1	
23		11565702		WASHER	FOR JE					1	
24		11848405		UPPER KNIFE COVER	FOR JE					1	
25		SS4060310SP		SCREW 3/32-56 L=2.5	FOR JE					1	
26		SS4060310SP		SCREW 3/32-56 L=2.5	FOR JE					1	

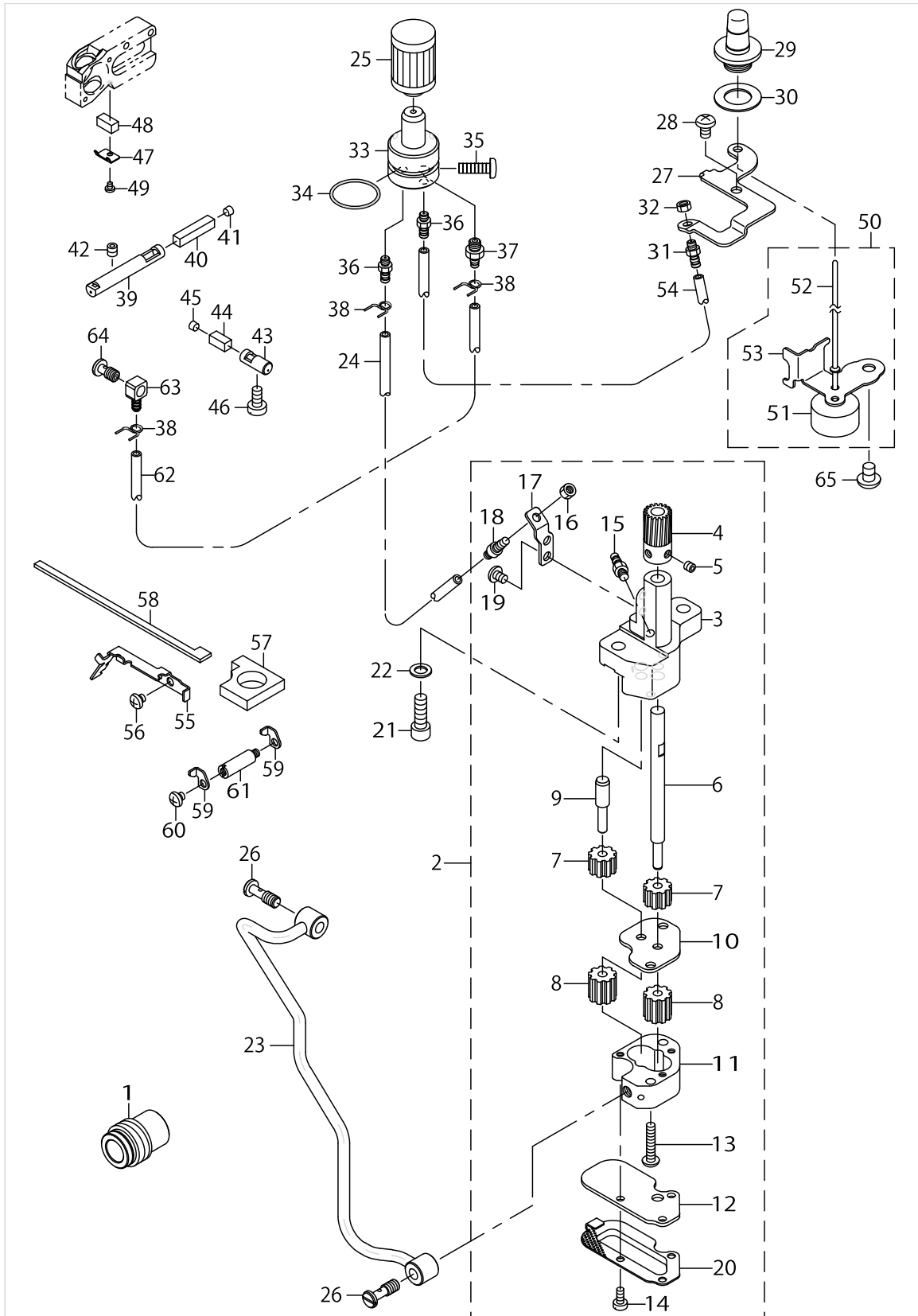
NEEDLE COOLING MECHANISM COMPONENTS



NEEDLE COOLING MECHANISM COMPONENTS

No.	Supply Code	Parts No.	Replacement	Parts name	Remarks	Choice	Step	Level	Cons	Qty	Rep. QTY
1		13163456		SILICON TANK ASM.						1	
2		13163803		NEEDLE THREAD FELT						1	
3		13163902		NEEDLE THREAD FELT PRESSER						1	
4		TA0950806R0		RUBBER PLUG						1	
5		SM4041055SP		SCREW						1	
6		12224655		NEEDLE COOLER TANK ASM.						1	
7		12224853		NEEDLE COOLER ASM.				*		1	
8		12224606		TANK				*		1	
9		12224705		TANK COVER				*		1	
10		11856101		NEEDLE COOLER PIN				*		1	
11		12225009		FELT				*		1	
12		CQ200000000		OIL WICK				*		0.15	
13		BT0400251ED		TUBE HOSE GREEN				*		0.02	
14		SS7090540TP		SCREW 9/64-40 L=5						1	
15	R	SS7090910SP	SS7090910TP	SCREW 9/64-40 L=8.5						1	1.00
16		WP0371026SD		WASHER 3.7X7X1						1	

# LUBRICATION MECHANISM COMPONENTS

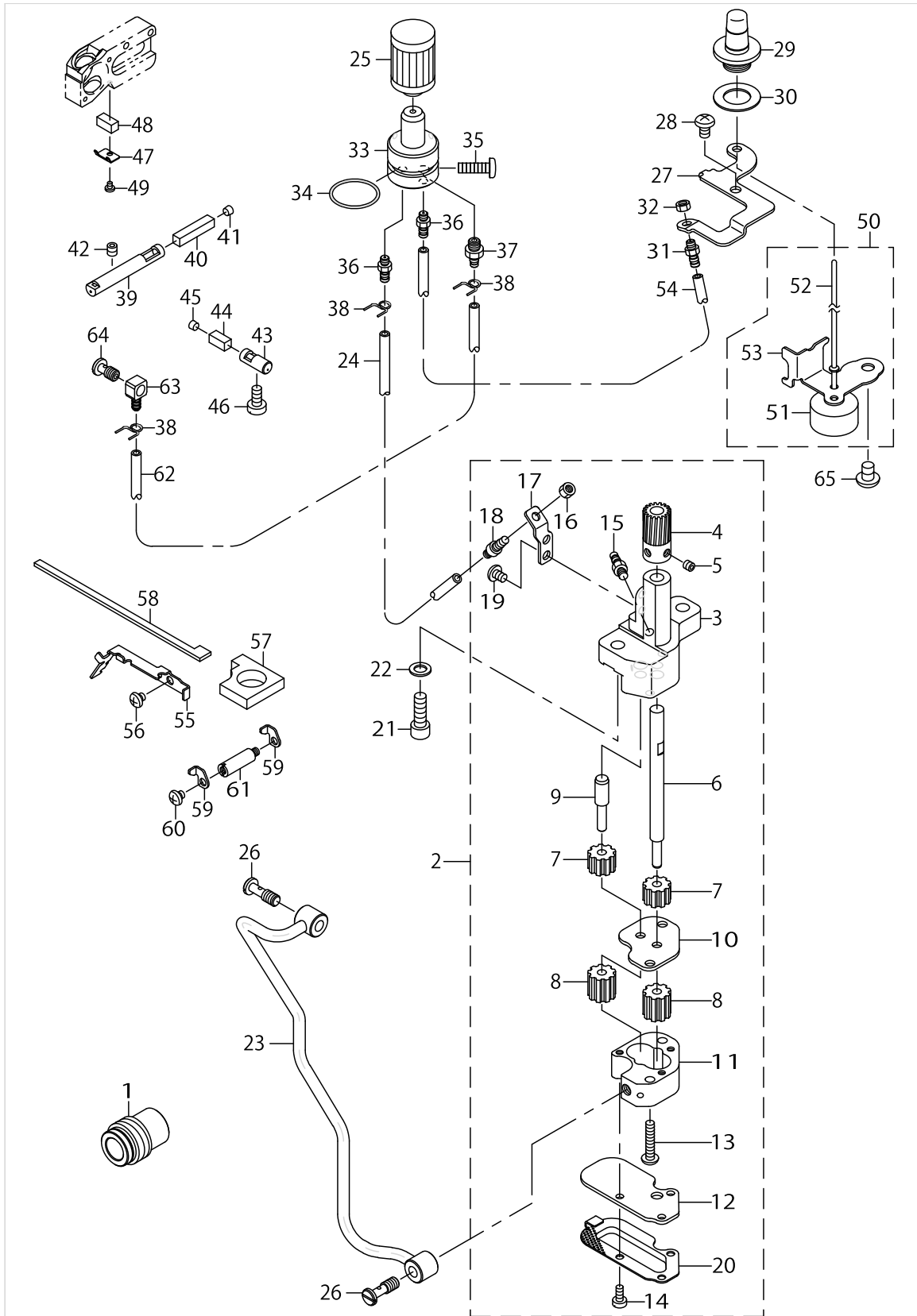


LUBRICATION MECHANISM COMPONENTS

No.	Supply Code	Parts No.	Replacement	Parts name	Remarks	Choice	Step	Level	Cons	Qty	Rep. QTY
1		13230305		WORM						1	
2		40018045		OIL PUMP ASM						1	
3	R	12315909	40018044	OIL PUMP				*		1	1.00
4		13343009		WORM WHEEL				*		1	
5		SM8050412TP		SCREW M5 L=4				*		2	
6	R	11918109	40018044	GEAR PUMP SHAFT LARGE				*		1	1.00
7	R	B3534352000	13228309	PINION GEAR				*		2	1.00
8		11840303		OIL PUMP PINION				*		2	
9	R	12317004	40018044	GEAR PUMP SHAFT		A	MO6700/6900G	*		1	1.00
9	R	12317004	40018045	GEAR PUMP SHAFT		B	MO6900R/6900J	*		1	1.00
10	R	12316006	40018044	PINION SPACER				*		1	1.00
11	D	12316105		CASING				*		1	
12	R	40016762	40018044	PUMP COVER		A	MO-6700.6900G.S	*		1	1.00
12	R	40016762	40018045	PUMP COVER		B	MO-6900C.J.R	*		1	1.00
12	R	40016762	40109455	PUMP COVER				*		1	1.00
13		SS4112215SP		SCREW11/64-40L=22				*		2	
14		SS6090810SP		SCREW 9/64-40 L=7.5				*		3	
15		SQ1110401MZ		CONNECTING SCREW				*		1	
16		NS6110310SP		NUT 11/64-40				*		1	
17		12129318		CONNECTING SCREW BRACKET				*		1	
18		SQ1110451MZ		CONNECTING SCREW				*		1	
19		SS4110615SP		SCREW 11/64-40 L=6				*		2	
20		40016763		PUMP NET				*		1	
21		SM6061802TP		SCREW M6 L=18						2	
22		WP0651056SD		WASHER 6.5X11X1						2	
23		13294053		LUBRICATING PIPE ASM.						1	
24		23630007		TUBE						.25	
25		13142500		CARTRIDGE FILTER						1	
26		SQ1150454SD		CONNECTING SCREW						2	
27	D	13143805		EXHAUST PORT SUPPORT						1	
28		SM4050855SP		SCREW						1	
29		13143300		OIL GAUGE						1	
30		13144001		OIL GAUGE GASKET						1	
31		SQ1110451MZ		CONNECTING SCREW						1	
32		NS6110310SP		NUT 11/64-40						1	
33		13142955		FILTER GUIDE ASM.						1	
34		13170808		RUBBER RING						1	
35		SM4051601SC		SCREW M5X0.8 L=16						1	
36		SQ1110451MZ		CONNECTING SCREW						2	
37		SQ1150451MZ		CONNECTING SCREW						1	
38		13142609		OIL TUBE HOLDER						3	
39		13144100		OILING PIN						1	
40		13144209		OIL FELT						1	
41		TA0400301M0		PLUG D=4X4.5 L=3						1	
42		SM8050502TP		SCREW M5 L=5						1	
43		13143417		OILING PIN						1	



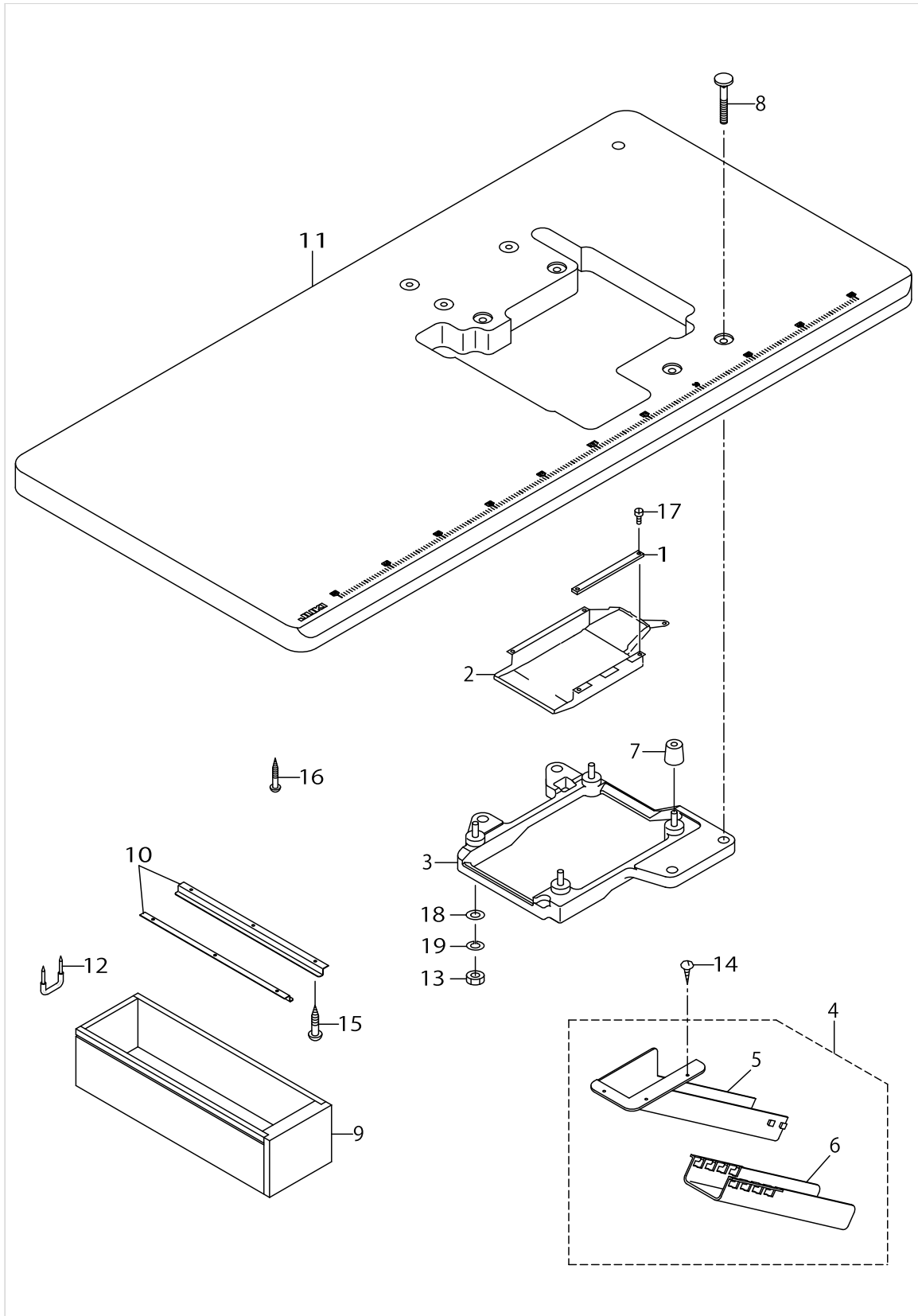
# LUBRICATION MECHANISM COMPONENTS



LUBRICATION MECHANISM COMPONENTS

No.	Supply Code	Parts No.	Replacement	Parts name	Remarks	Choice	Step	Level	Cons	Qty	Rep. QTY
44		13143508		OIL FELT						1	
45		13230107		PLUG						1	
46		SS6121020SP		SCREW 3/16-28 L=9.5						1	
47		13143607		OIL FELT PRESSER						1	
48		13143706		OIL FELT						1	
49		SS7060310SP		SCREW 3/32-56 L=3						1	
50		13229356		FLOAT ASM.						1	
51		12129805		FLOAT				*		1	
52		12129904		OIL GAUGE BAR				*		1	
53		13229307		FLOAT SUPPORT				*		1	
54		23630007		TUBE						.14	
55		13228804		OIL FELT GUIDE						1	
56		31018005		SCREW						2	
57		13229109		OIL FELT B						1	
58		13229406		OIL FELT A						1	
59		13228903		OIL FELT PRESSER						2	
60		31018005		SCREW						1	
61		13229000		FELT PRESSER SPACER						1	
62		BP30000010R		VINYL PIPE						.22	
63		SQ0000451MZ		CONNECTING SCREW						1	
64		SQ1150441SD		CONNECTING SCREW						1	
65		SM4060801SE		SCREW						1	

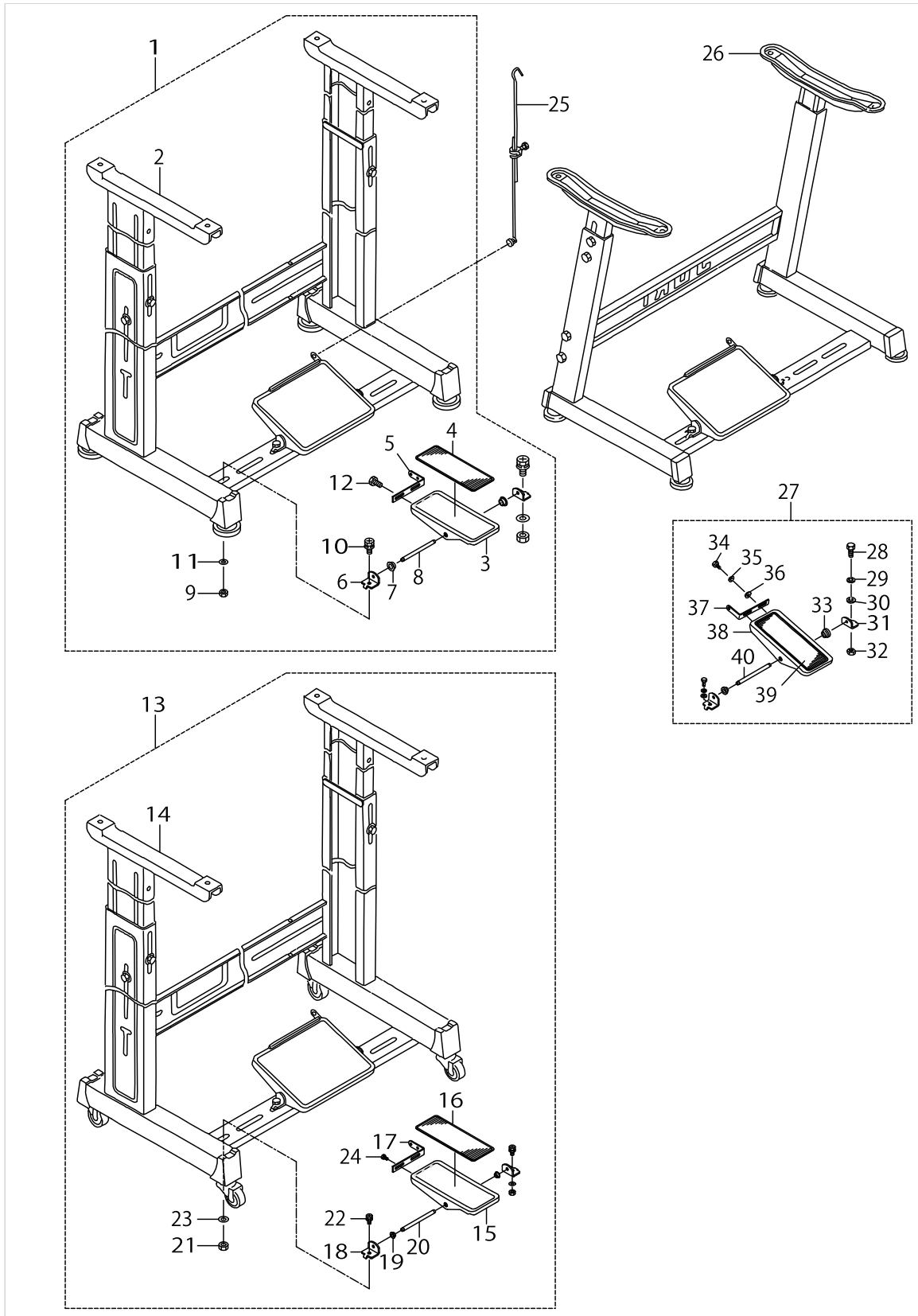
SEMI-SUNKEN TYPE TABLE COMPONENTS



SEMI-SUNKEN TYPE TABLE COMPONENTS

No.	Supply Code	Parts No.	Replacement	Parts name	Remarks	Choice	Step	Level	Cons	Qty	Rep. QTY
1	R	11850815	13161005	CASE SPONGE						1	1.00
2		12221800		COOLING FAN CASE						1	
3		12221750		FRAME SUPPORT PLATE ASM.						1	
4		12341954		CLOTH WASTE CHUTE ASM.						1	
5		12341905		CLOTH WASTE CHUTE(SEMI-SUNKEN)				*		1	
6		12341806		CLOTH WASTE CHUTE				*		1	
7		13155403		DUST-PROOF RUBBER						4	
8		13155007		HOLDING PLATE BOLT						4	
9	R	11155108	11155157	DRAWER						1	1.00
10		11155207		DRAWER SUPPORT						2	
11	D	12221602		TABLE(SEMI-SUNKEN)						1	
12		D8204555D00		DRAWER STOPPER						1	
13		NS6240630SE		NUT 3/8-18						4	
14		SK2351600SC		WOOD SCREW D=3.5 L=16						3	
15	D	SK3311500SC		WOOD SCREW D=3.1 L=15						6	
16	R	SK3513200SC	SK3513201SE	WOOD SCREW D=5.1 L=32						4	1.00
17		SS6090630TP		SCREW 9/64-40 L=6						4	
18		WP1002036SE		WASHER 10X21X2						4	
19		WS1002560KR		SPRING WASHER 10X18X2.5						4	

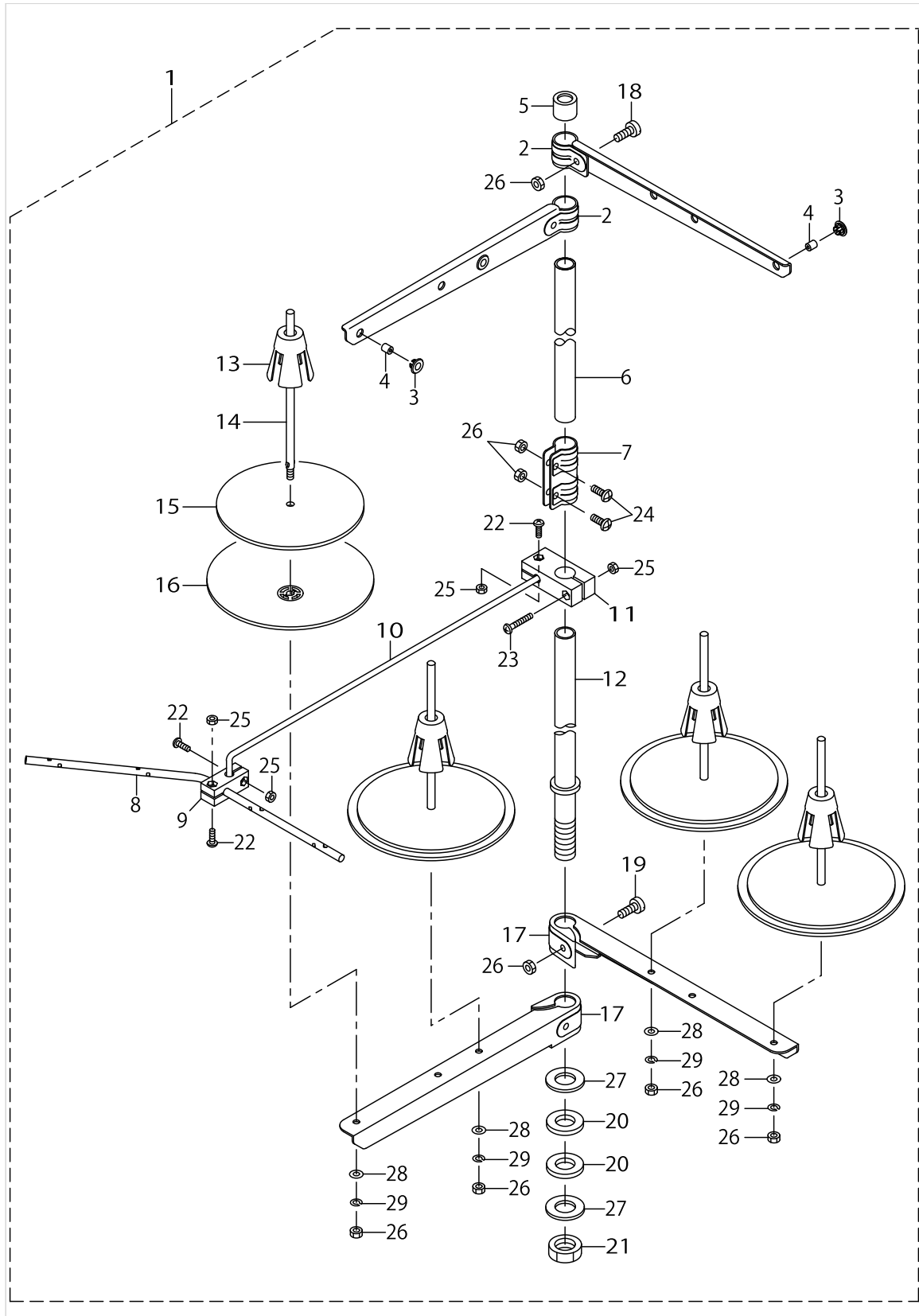
STAND COMPONENTS (Z-T)



STAND COMPONENTS (Z-T)

No.	Supply Code	Parts No.	Replacement	Parts name	Remarks	Choice	Step	Level	Cons	Qty	Rep. QTY
1		11960655		T STAND JUNCTION						1	
2		11157567		T LEG JUNCTION				*		1	
3	R	GPF06060000	GPF060600A0	PEDAL				*		1	1.00
4		GPF06070000		PEDAL MAT				*		1	
5		GPF06080000		PEDAL ADJUSTING PLATE				*		1	
6		11159001		PEDAL SHAFT BRACKET				*		2	
7		D8113555B00		PEDAL BUSHING				*		2	
8		B8153771000		PEDAL CONNECTING ROD				*		1	
9		NM6080001SE		NUT M8				*		2	
10		SL9082091SE		WASHER HEXAGONAL BOLT				*		2	
11		WP0871602SE		WASHER 8.7X18X1.6				*		2	
12		SL9061291SE		WASHER HEXAGONAL BOLT M6 L=12				*		2	
13	R	11960754	11159407	T STAND JUNCTION(WITH CASTER)		A				1	4.00
13	R	11960754	11960655	T STAND JUNCTION(WITH CASTER)		A				1	1.00
14		11159365		T STAND JUNCTION				*		1	
15	R	GPF06060000	GPF060600A0	PEDAL				*		1	1.00
16		GPF06070000		PEDAL MAT				*		1	
17		GPF06080000		PEDAL ADJUSTING PLATE				*		1	
18		11159001		PEDAL SHAFT BRACKET				*		2	
19		D8113555B00		PEDAL BUSHING				*		2	
20		B8153771000		PEDAL CONNECTING ROD				*		1	
21		NM6080001SE		NUT M8				*		2	
22		SL9082091SE		WASHER HEXAGONAL BOLT				*		2	
23		WP0871602SE		WASHER 8.7X18X1.6				*		2	
24		SL9061291SE		WASHER HEXAGONAL BOLT M6 L=12				*		2	
25		B71140120A0		MOTOR CONNECTING ROD ASM.						1	
26	D	11151065		Z LEG JUNCTION (B)						1	
27	D	B81517710A0		PEDAL ASM.						1	
28		SM9082023SE		SCREW M8 L=20				*		2	
29		WS0861410KR		SPRING WASHER 8.6X15X1.4				*		2	
30		WP0871602SE		WASHER 8.7X18X1.6				*		4	
31		11151909		PEDAL SHAFT BRACKET				*		2	
32		NM6080721SE		NUT M8				*		2	
33		D8113555B00		PEDAL BUSHING				*		2	
34		SM9061203SE		SCREW M6 L=12				*		2	
35		WS0621210KR		SPRING WASHER 6.2X11.4X1.2				*		2	
36		WP0671016SE		WASHER 6.7X13X1				*		2	
37	D	11246600		PEDAL ADJUSTING PLATE				*		1	
38	D	11246501		PEDAL				*		1	
39		B8152771000		PEDAL MAT				*		1	
40		B8153771000		PEDAL CONNECTING ROD				*		1	

# THREAD STAND COMPONENTS

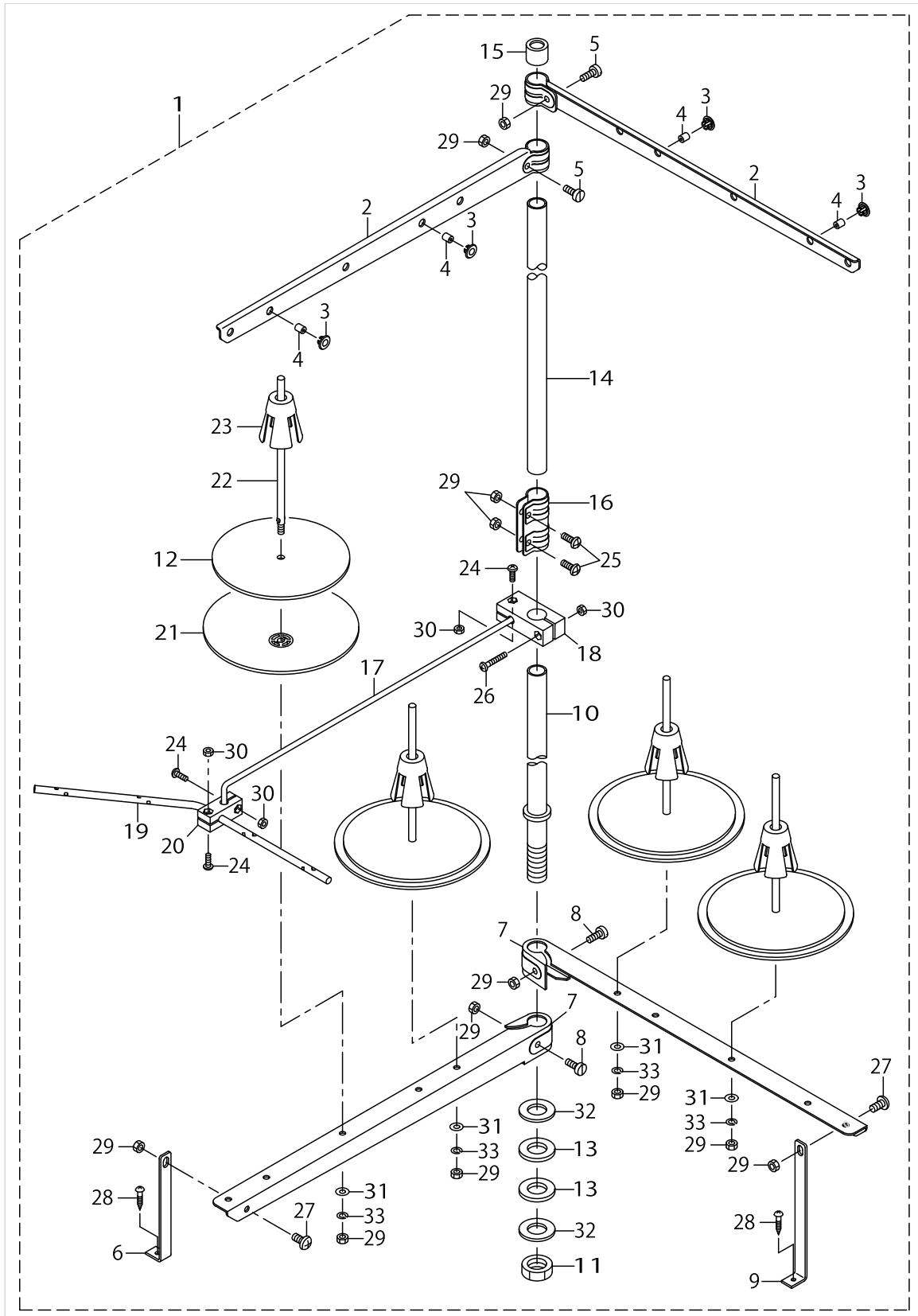


THREAD STAND COMPONENTS

No.	Supply Code	Parts No.	Replacement	Parts name	Remarks	Choice	Step	Level	Cons	Qty	Rep. QTY
1		40106584		THREAD STAND PACKING						1	
2		40085787		SPOOL REST ARM UPPER				*		2	
3		40085795		THREAD GUIDE BUSHING				*		4	
4		40085794		THREAD GUIDE				*		4	
5		40085793		SPOOL REST ROD RUBBER CAP				*		1	
6		40085785		SPOOL REST ROD UPPER				*		1	
7		40085792		SPOOL REST ROD JOINT				*		1	
8		40106582		THREAD GUIDE 4				*		1	
9		40106580		THREAD GUIDE UNDER BASE				*		1	
10		40106576		THREAD GUIDE ARM				*		1	
11		40106579		THREAD GUIDE ARM BASE				*		1	
12		40085784		SPOOL REST ROD LOWER				*		1	
13		40085791		SPOOL RETAINER				*		4	
14		40085790		SPOOL PIN				*		4	
15		40085789		SPOOL REST CUSHION				*		4	
16		40085788		SPOOL REST				*		4	
17		40085786		SPOOL REST ARM LOWER				*		2	
18	R	40096327	SM4053001SE	SPOOL REST ARM UPPER SCREW				*		2	1.00
19		40096326		SPOOL REST ARM LOWER SCREW				*		2	
20		40085796		SPOOL REST ROD RUBBER CUSHION				*		2	
21		40096325		SPOOL REST ROD NUT				*		1	
22		SM4041201SC		SCREW M4 L=12				*		3	
23		SM4042501SC		SCREW M4X0.7 L=25				*		1	
24		SM4051405SE		SCREW M5 L=14				*		2	
25	R	NM6040002SC	NM6040002SE	NUT M4				*		4	1.00
26		NM6050001SE		NUT M5				*		10	
27		WP1612616SE		WASHER 16X30X2.6				*		2	
28		WP0531001SC		WASHER M5				*		4	
29		WS0510002KN		SPRING WASHER M5				*		4	



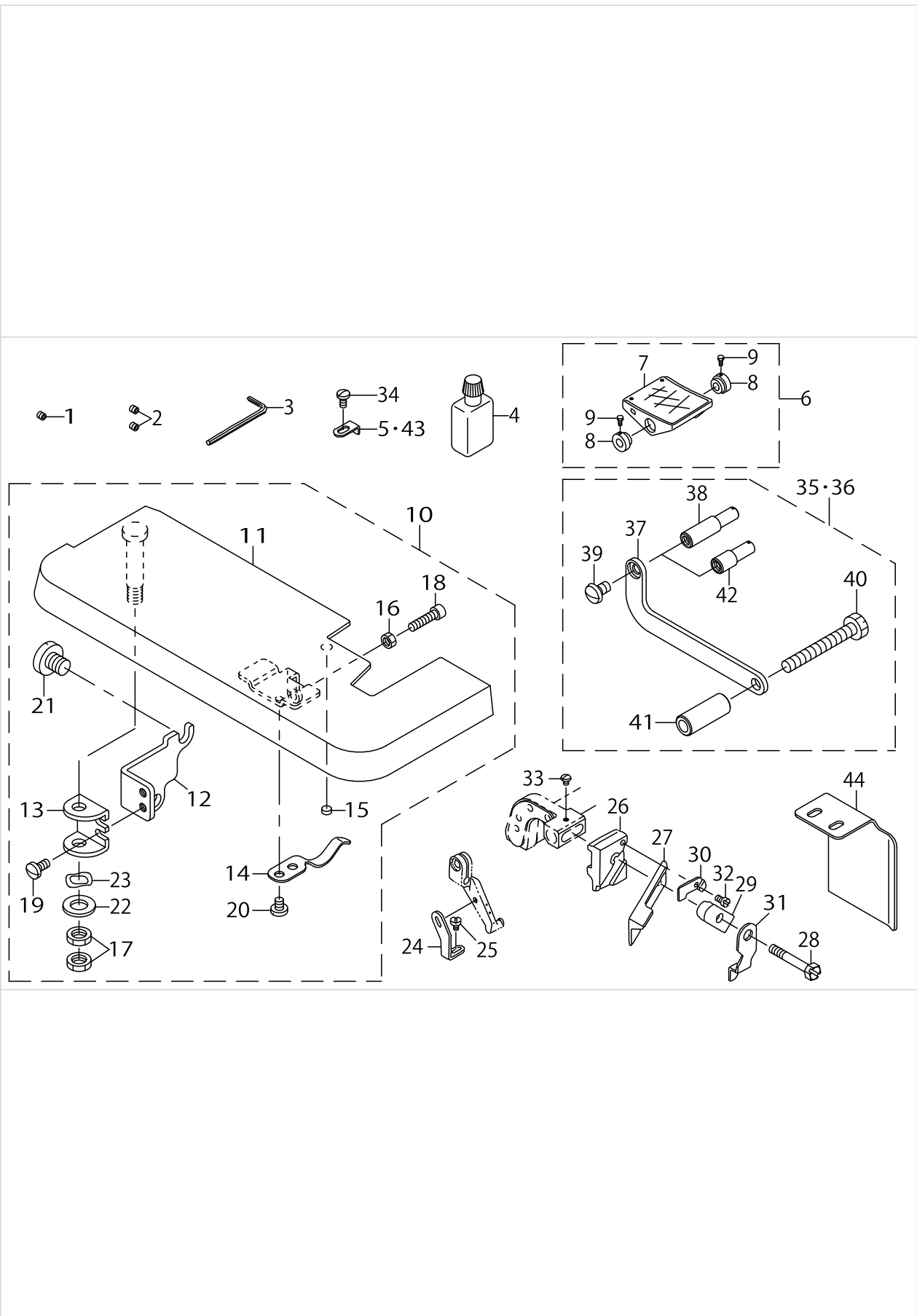
THREAD STAND COMPONENTS (SPECIAL ORDER PARTS)



THREAD STAND COMPONENTS (SPECIAL ORDER PARTS)

No.	Supply Code	Parts No.	Replacement	Parts name	Remarks	Choice	Step	Level	Cons	Qty	Rep. QTY
1		40106587		THREAD STAND PACKING						1	
2		40106575		SPOOL REST LONG ARM UPPER				*		2	
3		40085795		THREAD GUIDE BUSHING				*		4	
4		40085794		THREAD GUIDE				*		4	
5	R	40096327	SM4053001SE	SPOOL REST ARM UPPER SCREW				*		2	1.00
6		40106577		SPOOL REST ARM LOWER A				*		1	
7		40106574		SPOOL REST LONG ARM LOWER				*		2	
8		40096326		SPOOL REST ARM LOWER SCREW				*		2	
9		40106578		SPOOL REST ARM LOWER B				*		1	
10		40085784		SPOOL REST ROD LOWER				*		1	
11		40096325		SPOOL REST ROD NUT				*		1	
12		40085789		SPOOL REST CUSHION				*		4	
13		40085796		SPOOL REST ROD RUBBER CUSHION				*		2	
14		40085785		SPOOL REST ROD UPPER				*		1	
15		40085793		SPOOL REST ROD RUBBER CAP				*		1	
16		40085792		SPOOL REST ROD JOINT				*		1	
17		40106576		THREAD GUIDE ARM				*		1	
18		40106579		THREAD GUIDE ARM BASE				*		1	
19		40106582		THREAD GUIDE 4				*		1	
20		40106580		THREAD GUIDE UNDER BASE				*		1	
21		40085788		SPOOL REST				*		4	
22		40085790		SPOOL PIN				*		4	
23		40085791		SPOOL RETAINER				*		4	
24		SM4041201SC		SCREW M4 L=12				*		3	
25		SM4051405SE		SCREW M5 L=14				*		2	
26		SM4042501SC		SCREW M4X0.7 L=25				*		1	
27		SM4051001SE		SCREW M5 L=10				*		2	
28		SK3412001SE		WOOD SCREW D=4.1 L=20				*		2	
29		NM6050001SE		NUT M5				*		12	
30	R	NM6040002SC	NM6040002SE	NUT M4				*		4	1.00
31		WP0531001SC		WASHER M5				*		4	
32		WP1612616SE		WASHER 16X30X2.6				*		2	
33		WS0510002KN		SPRING WASHER M5				*		4	

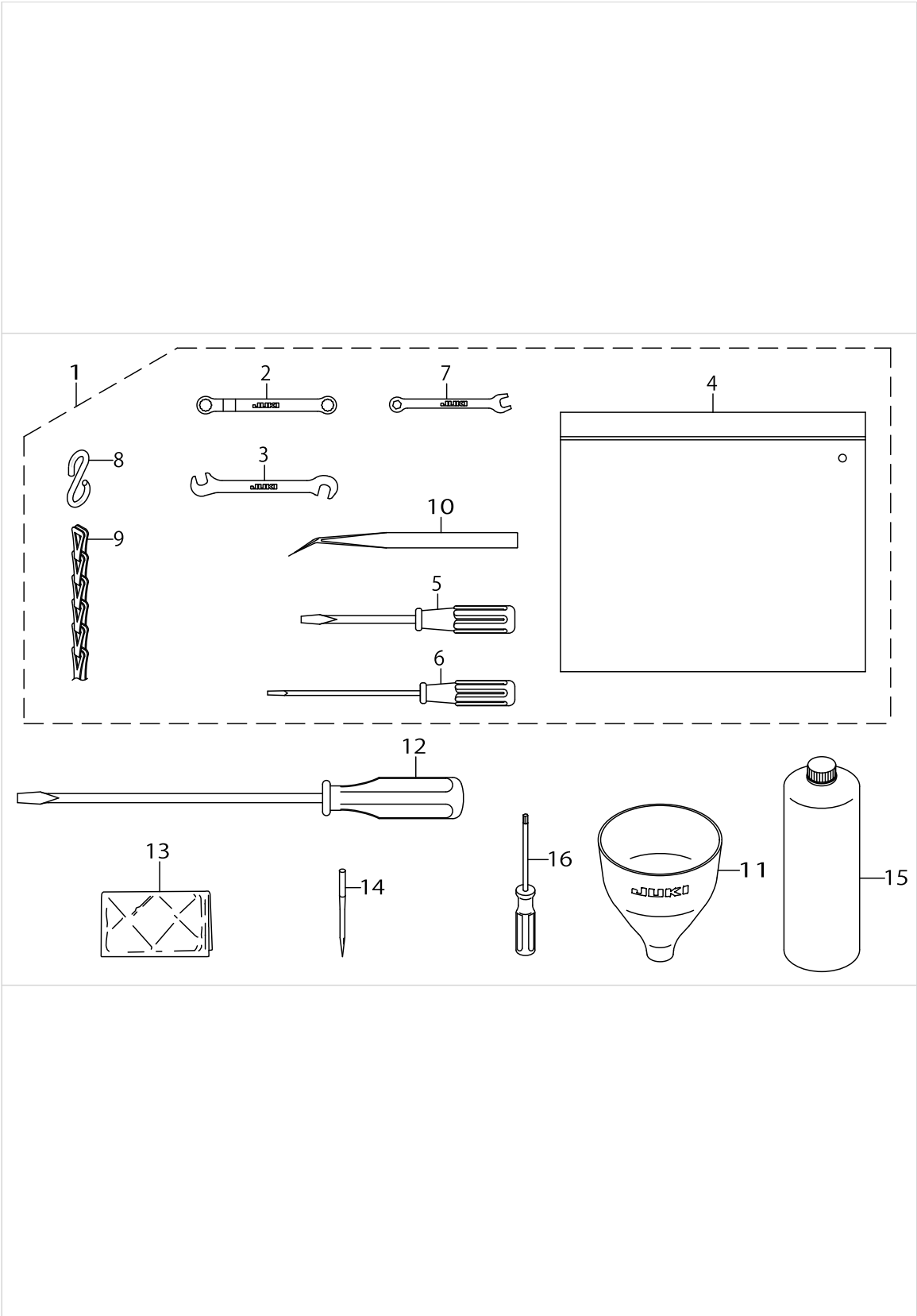
SPECIAL ORDER PARTS COMPONENTS



SPECIAL ORDER PARTS COMPONENTS

No.	Supply Code	Parts No.	Replacement	Parts name	Remarks	Choice	Step	Level	Cons	Qty	Rep. QTY
1		SS8080322TP		SCREW 1/8-44 L=3.2	FOR MO-6904C					1	
2		SS8080322TP		SCREW 1/8-44 L=3.2	FOR MO-6914C					2	
3		B9112804000		SPANNER						1	
4		B91351230B0		SILICON OIL LUBRI-CANT ASM. (30CC)						1	
5		11898103		PRESSER FOOT AUXILIARY PLATE	FOR MO-6904C					1	
6		11965753		PEDAL ASM.						1	
7		11965704		PEDAL				*		1	
8		11965803		PEDAL THRUST COLLAR				*		2	
9		SM9061203SE		SCREW M6 L=12				*		2	
10		12226155		CLOTH BASE ASM.						1	
11	R	12226163	12226155	CLOTH BASE ASM.				*		1	1.00
12		12226304		FITTING PLATE A				*		1	
13	D	12226403		FITTING PLATE B				*		1	
14		12226502		CLOTH BASE SPRING				*		1	
15	R	11806304	13102702	PLUG				*		1	1.00
16		NS6110310SP		NUT 11/64-40				*		1	
17		NS6680320SP		NUT 9/32-28				*		2	
18		SS6111610SP		SCREW 11/64-40L=16				*		1	
19		SS7110840SP		SCREW 11/64-40 L=7.8				*		2	
20		SS7090540TP		SCREW 9/64-40 L=5				*		2	
21		SS7150910TP		SCREW 15/64-28 L=9				*		2	
22		WP08416000E		WASHER 8.4X15.5X1.6				*		1	
23		WZ0850302K0		WAVED WASHER 8.5X12.5X0.3				*		1	
24	D	B1539804000		PRESSER FOOT FIXING PLATE						1	
25		SS6060410TP		SCREW 3/32-56 L=3.5						1	
26		11598000		UPPER KNIFE SUPPORT						1	
27		11845807		UPPER KNIFE						1	
28		SS9111610SP		SCREW 11/64-40L=16						1	
29		11565504		UPPER KNIFE PRESSER PLATE						1	
30		11565702		WASHER						1	
31		11848405		UPPER KNIFE COVER						1	
32		SS4060310SP		SCREW 3/32-56 L=2.5						1	
33		SS4060310SP		SCREW 3/32-56 L=2.5						1	
34		SS4080620TP		SCREW 1/8-44 L=6						1	
35		40025294		SYNCHRONIZER STOPPER ASM.						1	
36		40011755		SYNCHRONIZER TURN STOPPER ASM.	FOR SC-380					1	
37		40011757		SYNCHRONIZER STOPPER BASE				*		1	
38		40022255		SYNCHRONIZER STOPPER				*		1	
39		SS5120810SP		SCREW				*		1	
40		SS9154540SP		SCREW 15/64-28L=45				*		1	
41		40011758		SYNCHRONIZER BASE COLLAR				*		1	
42		40011756		SYNCHRONIZER STOPPER	FOR SC-380			*		1	
43		40030533		PRESSER FOOT AUXILIARY PLATE	FOR MO-6914C					1	
44		40036778		V_BELT SLIDER						1	

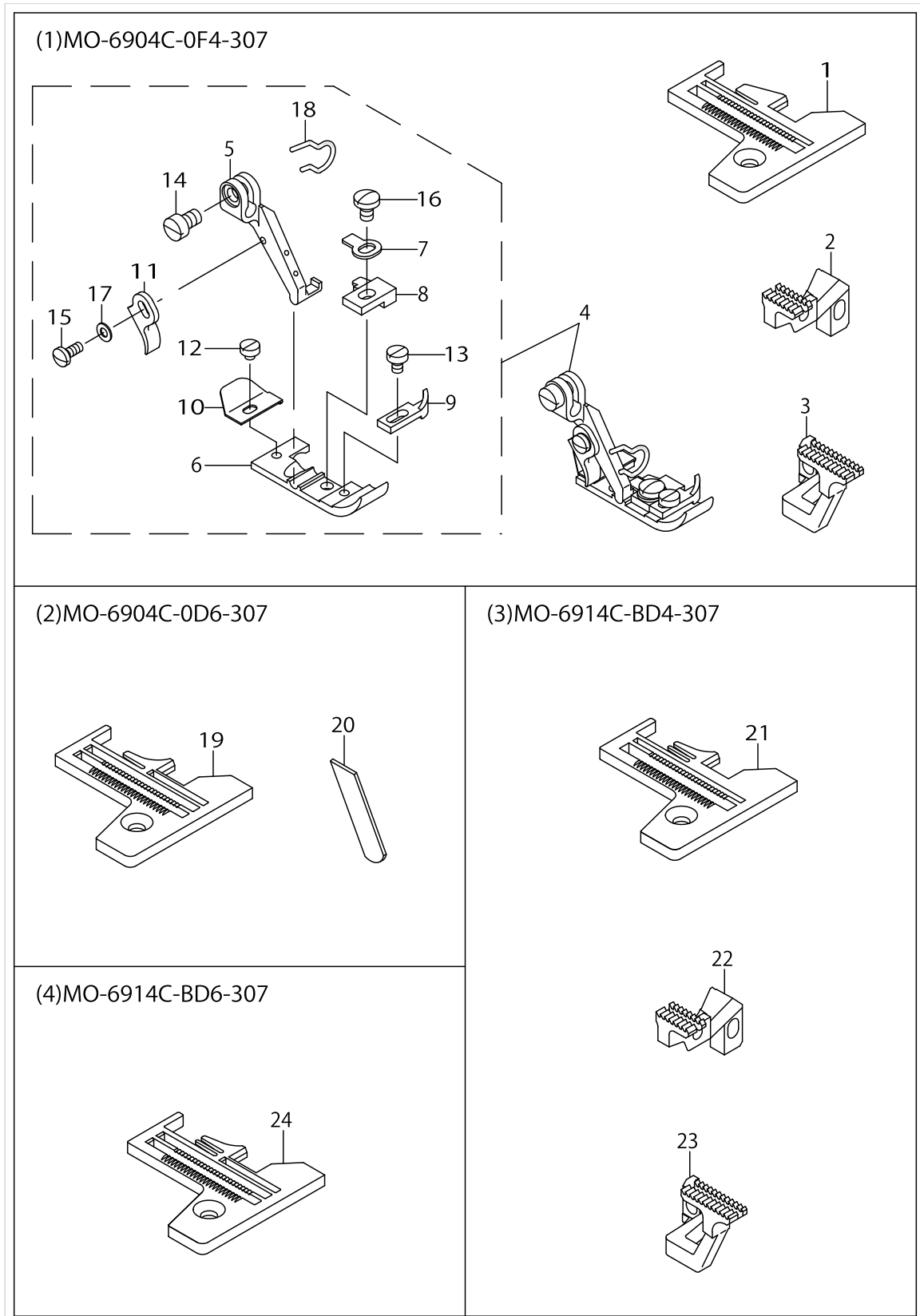
ACCESSORIES PARTS COMPONENTS



ACCESSORIES PARTS COMPONENTS

No.	Supply Code	Parts No.	Replacement	Parts name	Remarks	Choice	Step	Level	Cons	Qty	Rep. QTY
1		13160858		ACCESSORIE BAG ASM.						1	
2		13160007		RING SPANNER				*		1	
3		13160205		PIN SPANNER				*		1	
4		22932800		ACCESSORIE BAG				*		1	
5		22933105		SCREW DRIVER MIDDLE				*		1	
6		12347308		SCREW DRIVER (SMALL)				*		1	
7		13160106		SPANNER (5X6)				*		1	
8		13160304		S SHAPED HOOK				*		2	
9		13160403		CHAIN				*		1	
10		12288403		TWEEZERS				*		1	
11		13160601		FUNNEL						1	
12		22933006		SCREW DRIVER LARGE						1	
13		40048535		HEAD_COVER						1	
14		MDC270B1104		NEEDLE DCX27 #11-4EA.						1	
15		MML018900CA		JUKI MACHINE OIL 18						1	
16		11851102		SCREW WRENCH						1	

SUBCLASSES



SUBCLASSES

No.	Supply Code	Parts No.	Replacement	Parts name	Remarks	Choice	Step	Level	Cons	Qty	Rep. QTY
1		R4200K6FD00		THROAT PLATE						1	
2		12235107		MAIN FEED DOG						1	
3		12236600		DIFFERENTIAL FEED DOG						1	
4		12230462		PRESSER FOOT ASM.						1	
5		11872009		PRESSER FOOT HINGE				*		1	
6		12232104		PRESSER FOOT				*		1	
7		B150880400B		SPRING				*		1	
8		B1509804C0A		STITCH TONGUE				*		1	
9		B1510814000		CURL GUARD				*		1	
10		B1511814000		REARPRESSERFOOT				*		1	
11		B1530804000		STOPPER				*		1	
12		SS6060210SP		SCREW 3/32-56 L=1.9				*		1	
13		SS6060440TP		SCREW 3/32-56 L=3.5				*		1	
14		SS6090670TP		SCREW 9/64-40 L=6				*		1	
15		SS7060610SP		SCREW 3/32-56 L=5.5				*		1	
16		SS7080520SP		SCREW 1/8-44 L=4.9				*		1	
17		WP0250516SD		WASHER 2.5X6X0.5				*		1	
18		13178306		FINGER GUARD				*		1	
19		R4300K6DE00		THROAT PLATE						1	
20		12220406		LOWER KNIFE						1	
21		R4205K6DD00		THROAT PLATE						1	
22		12235107		MAIN FEED DOG						1	
23		12236600		DIFFERENTIAL FEED DOG						1	
24		R4305K6DE00		THROAT PLATE						1	





## HOW TO MAKE USE OF THIS PARTS LIST

### 1.Explanation of codes

1)"\*"mark.....means this part is changed from the previous parts book.

As to the details of the change, refer to the "List for information of change".

2)"#01".....refer to "Note" explanation at bottom of page.

### 2.Codes on the "Qty" column

- Each numeral indicates the number of parts required.
- "0.1" and "2.5" indicate the length (in meters) of the respective parts.

3.Parentheses mean that the corresponding part is a subpart that constructs an assembly part.

4.Dotted lines on the Figures indicate assembly parts.

### 1."注記"欄の記号説明

1) "\*"印.....前回のパーツブックに比較して今回変更された部品を意味します。

変更内容は、"変更情報リスト"を参照してください。

2) "#01".....ページ下の"注記"の説明を参照してください。

2.数量欄の数字は、個数を表し、0.1、2.5等の数値は、長さ（単位メートル）を表します。

3.数量欄の（ ）は、組部品を構成している子部品であることを意味します。

4.イラストページの-----枠は、組構成であることを意味します。

# NUMERICAL INDEX OF PARTS

PART NO	PAGE	REF NO.	PART NO	PAGE	REF NO.	PART NO	PAGE	REF NO.
10753309	4	39	12132106	6	40	12219903	32	2
11111705	32	18	12200408	2	25	12220208	32	12
11151065	44	26	12200507	2	26	12220307	32	11
11151909	44	31	12201117	4	20	12220406	54	20
11155108	42	9	12201208	4	23	12220604	32	29
11155207	42	10	12204004	6	23	12221602	42	11
11157567	44	2	12204202	6	22	12221750	42	3
11159001	44	18	12206603	22	24	12221800	42	2
11159365	44	14	12206702	22	20	12224606	36	8
11246501	44	38	12208104	12	8	12224655	36	6
11246600	44	37	12208153	12	1	12224705	36	9
11565504	34	22	12208203	12	11	12224853	36	7
11565504	50	29	12208302	12	10	12225009	36	11
11565702	34	23	12208401	12	12	12226155	50	10
11565702	50	30	12208500	12	6	12226163	50	11
11566809	34	12	12208609	12	13	12226304	50	12
11598000	34	19	12208708	12	2	12226403	50	13
11598000	50	26	12208807	12	14	12226502	50	14
11806304	50	15	12208906	12	16	12229100	2	1
11819414	22	22	12209102	16	71	12230165	26	4
11840303	38	8	12209201	16	78	12230264	26	19
11845807	34	20	12209300	16	72	12230462	54	4
11845807	50	27	12209409	14	33	12232104	26	27
11848405	34	24	12209458	14	29	12232104	54	6
11848405	50	31	12209508	14	30	12235107	54	22
11850815	42	1	12209607	14	31	12235206	14	39
11851102	52	16	12209805	14	46	12236600	54	23
11856101	36	10	12210217	14	15	12236709	14	40
11872009	26	20	12210308	14	18	12238101	14	41
11872009	54	5	12210803	16	48	12240107	18	15
11898103	50	5-43	12211504	14	28	12240602	18	18
11918109	38	6	12211603	14	11	12240701	32	4
11960655	44	1	12211801	12	39	12247102	20	68
11960754	44	13	12214706	18	13	12253829	26	1
11965704	50	7	12214805	20	52	12280103	6	10
11965753	50	6	12215158	6	35	12280301	8	5
11965803	50	8	12215307	18	20	12280905	8	24
12109104	6	29	12215406	18	8	12281705	8	38
12113205	22	1	12215554	18	24	12281804	8	39
12118600	12	25	12215703	20	48	12284709	28	5~7
12122362	6	31	12219101	32	1	12284758	28	2
12124202	18	25	12219200	32	8	12284808	28	5~7
12129318	38	17	12219507	32	7	12284857	28	3
12129805	40	51	12219705	32	25	12284907	28	5~7
12129904	40	52	12219804	32	3	12284956	28	4

# NUMERICAL INDEX OF PARTS

PART NO	PAGE	REF NO.	PART NO	PAGE	REF NO.	PART NO	PAGE	REF NO.
12285003	28	8~10	13111307	8	35	13142609	38	38
12285102	28	8~10	13115100	22	2	13142955	38	33
12285201	28	8~10	13115407	22	8	13143300	38	29
12285300	28	11	13115654	22	32	13143417	38	43
12285409	28	12	13115753	22	9	13143508	40	44
12285508	28	13	13115803	22	10	13143607	40	47
12285607	28	14	13115902	22	11	13143706	40	48
12285607	30	14	13116009	22	12	13143805	38	27
12285706	30	15	13116108	22	13	13144001	38	30
12285805	30	16	13116207	22	18	13144100	38	39
12288403	52	10	13116504	22	23	13144209	38	40
12288700	22	33	13116702	26	2	13147400	34	7
12315909	38	3	13116801	22	7	13147558	34	2
12316006	38	10	13116900	22	21	13150503	34	17
12316105	38	11	13117007	22	19	13150800	34	18
12317004	38	9	13117106	22	34	13150909	34	5
12340303	18	31	13121108	14	45	13151006	34	6
12340402	18	33	13121207	14	22	13151303	34	4
12340709	18	27	13121256	14	21	13155007	42	8
12340808	20	50	13121405	14	13	13155403	42	7
12341806	42	6	13122007	10	49~52	13160007	52	2
12341905	42	5	13122007	12	27~30	13160106	52	7
12341954	42	4	13122007	34	13~16	13160205	52	3
12347308	52	6	13122106	10	49~52	13160304	52	8
13101001	2	17	13122106	12	27~30	13160403	52	9
13101209	2	14	13122106	34	13~16	13160601	52	11
13101308	2	19	13122205	10	49~52	13160858	52	1
13101407	2	15	13122205	12	27~30	13163456	36	1
13102405	2	2	13122205	34	13~16	13163803	36	2
13102900	4	38	13122304	10	49~52	13163902	36	3
13103908	4	24	13122304	12	27~30	13170006	4	9
13104500	4	10	13122304	34	13~16	13170204	4	11
13104807	4	29	13122700	14	10	13170303	6	15
13107602	6	25	13123302	22	44	13170402	22	37
13107800	6	7	13129309	18	21	13170501	14	27
13108303	6	28	13131206	20	37~41	13170600	18	16
13108402	6	9	13131305	20	37~41	13170808	38	34
13110002	8	15	13131404	20	37~41	13172705	10	55
13110259	8	22	13131503	20	37~41	13172754	10	54
13110507	8	2	13131602	20	37~41	13175005	10	62
13110556	8	1	13131701	20	44	13175203	10	63
13110606	8	4	13131800	20	46	13178306	26	33
13110903	8	26	13131909	20	45	13178306	54	18
13111000	8	27	13142500	38	25	13200209	4	1
13111208	8	34	13142609	10	48	13200308	4	2

# NUMERICAL INDEX OF PARTS

PART NO	PAGE	REF NO.	PART NO	PAGE	REF NO.	PART NO	PAGE	REF NO.
13200407	4	5	13229356	40	50	31018005	40	60
13200605	4	6	13229406	40	58	31250657	2	9
13201009	4	12	13230107	40	45	31250707	2	12
13201108	4	28	13230305	38	1	31250806	2	11
13201207	4	33	13240007	2	22~24	31251507	6	11
13204003	4	35	13240106	2	22~24	31251804	6	5
13207709	8	18	13240205	2	22~24	31255300	16	74
13207808	8	20	13244009	10	46	31255706	16	69
13208004	8	40	13280201	2	7	31255805	16	70
13208103	8	23	13281407	6	43	31256100	14	24
13208301	8	17	13282454	8	42	31256605	12	23
13208350	8	16	13283700	22	41	31256803	12	24
13208509	8	43	13285002	14	2	31260359	32	9
13208608	10	47	13285051	14	1	31260607	32	6
13208707	8	30	13285101	14	3	31261001	32	10
13208806	8	28	13285200	12	31	31261100	32	5
13208905	8	29	13285309	16	50	31261209	32	23
13209101	8	9~11	13285408	16	51	31262801	18	14
13209200	8	9~11	13285507	16	52	40011233	18	11
13209309	8	9~11	13285606	14	6	40011234	20	69
13209408	8	12~14	13285705	14	7	40011238	14	26
13209507	8	12~14	13285804	14	5	40011552	2	32
13209606	8	12~14	13285903	2	6	40011564	16	80~82
13209705	8	19	13286000	14	4	40011565	16	80~82
13209804	8	7	13286109	14	9	40011566	16	80~82
13209853	8	6	13286406	14	20	40011571	14	37
13212501	22	39	13286505	12	26·33	40011755	50	35·36
13212709	22	35	13286604	12	26·33	40011756	50	42
13212915	22	43	13287503	20	53·55·62	40011757	50	37
13213012	22	42	13287602	20	53·55·62	40011758	50	41
13217401	14	35	13287701	20	53·55·62	40012383	6	42
13217500	14	36	13287909	20	35	40015636	18	12
13221403	18	19·23·47	13288006	18	4	40016762	38	12
13221502	18	19·23·47	13288105	18	7	40016763	38	20
13221601	20	19·23·47	13289004	18	5	40017703	6	17~21
13222401	18	29	13294053	38	23	40017704	6	17~21
13222609	18	2	13343009	38	4	40017705	6	17~21
13222708	18	3	22901805	4	37	40017706	6	17~21
13225008	28	1	22924708	4	8	40017707	6	17~21
13225107	30	17	22932800	52	4	40017824	6	44
13228804	40	55	22933006	52	12	40018045	38	2
13228903	40	59	22933105	52	5	40022255	50	38
13229000	40	61	23630007	8	45	40023372	6	2
13229109	40	57	23630007	38	54	40023373	6	1
13229307	40	53	23630007	40	54	40025294	50	35·36

NUMERICAL INDEX OF PARTS

PART NO	PAGE	REF NO.	PART NO	PAGE	REF NO.	PART NO	PAGE	REF NO.
40026017	18	10	40106579	46	11	CS0790731SH	14	16
40030533	50	5-43	40106579	48	18	CS0870811SH	16	57
40034897	22	31	40106580	46	9	CS1001011SH	20	63
40036778	50	44	40106580	48	20	CS1031210SH	20	59
40037392	4	15	40106582	46	8	CS1031219SH	20	60
40040065	4	16	40106582	48	19	CS11111019SH	34	10
40048535	52	13	40106584	46	1	CS1111101HSH	34	9
40085784	46	12	40106587	48	1	CS1201012SH	16	76
40085784	48	10	40150131	2	34	D8113555B00	44	33
40085785	46	6	70004672	24	48	D8204555D00	42	12
40085785	48	14	B1212704000	6	39	EA9500B0100	8	21
40085786	46	17	B150880400B	26	29	GPF06060000	44	15
40085787	46	2	B150880400B	54	7	GPF06070000	44	16
40085788	46	16	B1509804C00	26	15	GPF06080000	44	17
40085788	48	21	B1509804C0A	54	8	MDC270B1100	8	53
40085789	46	15	B150981400P	26	30	MDC270B1100	10	53
40085789	48	12	B1510814000	26	32	MDC270B1104	52	14
40085790	46	14	B1510814000	54	9	MML018900CA	52	15
40085790	48	22	B1511814000	26	26	NM6040002SC	46	25
40085791	46	13	B1511814000	54	10	NM6040002SC	48	30
40085791	48	23	B1530804000	26	22	NM6050001SE	46	26
40085792	46	7	B1530804000	54	11	NM6050001SE	48	29
40085792	48	16	B1536804000	16	54	NM6060003SC	22	25
40085793	46	5	B1539804000	50	24	NM6080001SE	44	21
40085793	48	15	B1620804000	16	73	NM6080721SE	44	32
40085794	46	4	B2530704000	20	56	NS6090310SN	2	4
40085794	48	4	B322877100B	16	79	NS6110310SP	38	32
40085795	46	3	B3534352000	38	7	NS6110310SP	50	16
40085795	48	3	B71140120A0	44	25	NS6110420SP	22	26
40085796	46	20	B81517710A0	44	27	NS6240630SE	42	13
40085796	48	13	B8152771000	44	39	NS6680320SP	50	17
40096181	22	4	B8153771000	44	40	NS6680410SP	4	27
40096182	22	3	B9112804000	50	3	PS0150065KP	32	30
40096325	46	21	B91351230B0	50	4	PS0200062KH	18	9
40096325	48	11	BP30000010R	40	62	PS0300132KH	12	7
40096326	46	19	BT0400251ED	36	13	PS0300142KH	22	16
40096326	48	8	CM300200001	2	21	R4200K6FD00	54	1
40096327	46	18	CM301300001	4	36	R4205K6DD00	54	21
40096327	48	5	CM600100101	4	17	R4300K6DE00	54	19
40106574	48	7	CQ200000000	8	44	R4300K6EE00	32	26
40106575	48	2	CQ200000000	20	57-58	R4305K6DE00	54	24
40106576	46	10	CQ200000000	36	12	R4305K6EE00	32	27
40106576	48	17	CQ202000000	10	58	RE0300000K0	24	47
40106577	48	6	CQ202000000	20	57-58	RE0320000K0	12	40
40106578	48	9	CQ252000000	10	60	RE0400000K0	16	58

# NUMERICAL INDEX OF PARTS

PART NO	PAGE	REF NO.	PART NO	PAGE	REF NO.	PART NO	PAGE	REF NO.
RO074240100	4	21	SM4051601SC	38	35	SS6060440TP	26	31
RO315200100	2	27	SM4060801SE	40	65	SS6060440TP	54	13
SB31200030A	12	34~38	SM6061200SP	18	17	SS6080320SP	12	15
SB31200030B	12	34~38	SM6061200SP	22	27	SS6080340SP	22	17
SB31200030C	12	34~38	SM6061202TP	6	34	SS6080410SP	14	32
SB31200030D	12	34~38	SM6061402TP	8	8	SS6080410SP	18	28
SB31200030E	12	34~38	SM6061402TP	22	5	SS6090630TP	20	67
SB33500020A	12	18~22	SM6061802TP	38	21	SS6090630TP	42	17
SB33500020B	12	18~22	SM8040402TP	22	38	SS6090670SP	26	21
SB33500020C	12	18~22	SM8050412TP	22	30	SS6090670TP	8	37
SB33500020D	12	18~22	SM8050412TP	38	5	SS6090670TP	54	14
SB33500020E	12	18~22	SM8050502TP	38	42	SS6090810SP	38	14
SD0260271SP	12	5	SM9061203SE	44	34	SS6090810TP	14	44
SD0280401SL	10	61	SM9061203SE	50	9	SS6090910TP	14	8
SD0640241SP	22	15	SM9082023SE	44	28	SS6090910TP	20	65
SK2351600SC	42	14	SQ0000451MZ	40	63	SS6110480SP	32	17
SK3311500SC	42	15	SQ1110401MZ	38	15	SS6110820TP	16	64
SK3412001SE	48	28	SQ1110451MZ	38	36	SS6111010TP	16	47
SK3513200SC	42	16	SQ1150441SD	40	64	SS6111040SP	34	8
SL9061291SE	44	24	SQ1150451MZ	38	37	SS6111110SP	12	4
SL9082091SE	44	22	SQ1150454SD	38	26	SS6111140SP	20	36
SM0081001SD	4	22	SS2090520SL	2	3	SS6111610SP	50	18
SM1040801SC	4	13	SS2110910SL	32	13	SS6121020SP	22	40
SM1040801SP	16	59	SS3090610SP	2	5	SS6121020SP	40	46
SM4040655SP	2	33	SS3090610SP	18	51	SS6121220TP	16	75
SM4040655SP	16	61	SS3090610SP	20	51	SS6660610TP	14	25
SM4040655SP	18	30	SS4060310SP	34	26	SS6660710TP	12	9
SM4040855SP	4	14	SS4060310SP	50	33	SS7060310SP	40	49
SM4040855SP	8	41	SS4080620TP	18	1	SS7060510SP	26	3
SM4040855SP	14	38	SS4080620TP	50	34	SS7060510SP	32	14
SM4041055SP	2	13	SS4090615SP	20	49	SS7060610SP	14	42
SM4041055SP	36	5	SS4110515SP	8	33	SS7060610SP	20	54
SM4041201SC	46	22	SS4110615SP	30	19	SS7060610SP	26	24
SM4041201SC	48	24	SS4110615SP	38	19	SS7060610SP	54	15
SM4042501SC	46	23	SS4110815SP	32	24	SS7080520SP	26	28
SM4042501SC	48	26	SS4112215SP	38	13	SS7080520SP	32	21
SM4050855SP	2	8	SS4120615SP	2	10	SS7080520SP	54	16
SM4050855SP	6	8	SS4151215SP	4	18	SS7090530SP	2	16
SM4050855SP	14	12	SS5080212TP	6	3	SS7090540TP	14	14
SM4050855SP	32	19	SS5110710SP	4	31	SS7090540TP	36	14
SM4050855SP	38	28	SS5110740TP	6	24	SS7090540TP	50	20
SM4051001SE	48	27	SS5120810SP	50	39	SS7090610SP	2	18
SM4051255SP	4	7	SS6060210SP	26	25	SS7090611SL	4	34
SM4051405SE	46	24	SS6060210SP	54	12	SS7090850SP	18	26
SM4051405SE	48	25	SS6060410TP	50	25	SS7090910SP	36	15

NUMERICAL INDEX OF PARTS

PART NO	PAGE	REF NO.	PART NO	PAGE	REF NO.
SS7110510SP	22	14	TA0400301M0	38	41
SS7110510SP	32	22	TA0570301M0	16	49
SS7110710SL	30	18	TA0800504R0	4	32
SS7110840SP	6	27	TA0950806R0	36	4
SS7110840SP	20	34	TA0980502R0	2	30
SS7110840SP	22	28	TA1450404R0	2	29
SS7110840SP	32	15	TA1470702R0	4	40
SS7110840SP	50	19	TA2050805R0	4	19
SS7110910TP	12	17	TA2100904R0	2	31
SS7111410TP	6	37	WP0250516SD	26	23
SS7111410TP	22	29	WP0250516SD	54	17
SS7111810TP	6	41	WP0370316SD	34	1
SS7111810TP	16	55	WP0371026SD	16	65
SS7150740SP	22	45	WP0371026SD	36	16
SS7150910TP	50	21	WP0430800SD	16	68
SS7161040SP	22	6	WP0450801SD	16	67
SS8080310TP	8	36	WP0451026SH	16	53
SS8080310TP	24	49	WP0460556SD	24	46
SS8080310TP	32	20	WP0531001SC	46	28
SS8080322TP	50	2	WP0531001SC	48	31
SS8080410TP	6	4	WP0621016SD	16	66
SS8080410TP	32	31	WP0651056SD	38	22
SS8090530TP	10	59	WP0671016SE	44	36
SS8110410TP	2	28	WP0751576SD	4	25
SS8110410TP	14	63	WP0764016SP	6	14
SS8110410TP	16	63	WP08416000E	50	22
SS8110422TP	32	28	WP0871602SE	44	30
SS8110520TP	12	3	WP1002036SE	42	18
SS8151150TP	6	6	WP1612616SE	46	27
SS8660330SP	34	11	WP1612616SE	48	32
SS8660410SP	16	77	WS0510002KN	46	29
SS8660530TP	20	64	WS0510002KN	48	33
SS8660610TP	10	56	WS0621210KR	44	35
SS8660610TP	20	61	WS0822010KP	4	26
SS9090410TP	20	43	WS0861410KR	44	29
SS9090610TP	20	42	WS1002560KR	42	19
SS9090823TP	34	3	WZ0850302K0	4	30
SS9111610SP	34	21	WZ0850302K0	50	23
SS9111610SP	50	28	WZ2640310KH	6	16
SS9151210TP	6	38			
SS9151210TP	12	32			
SS9151210TP	14	34			
SS9151210TP	18	22			
SS9154540SP	50	40			
SS9681610TP	6	13			