

MODEL : MO-6914R SUBCLASSES

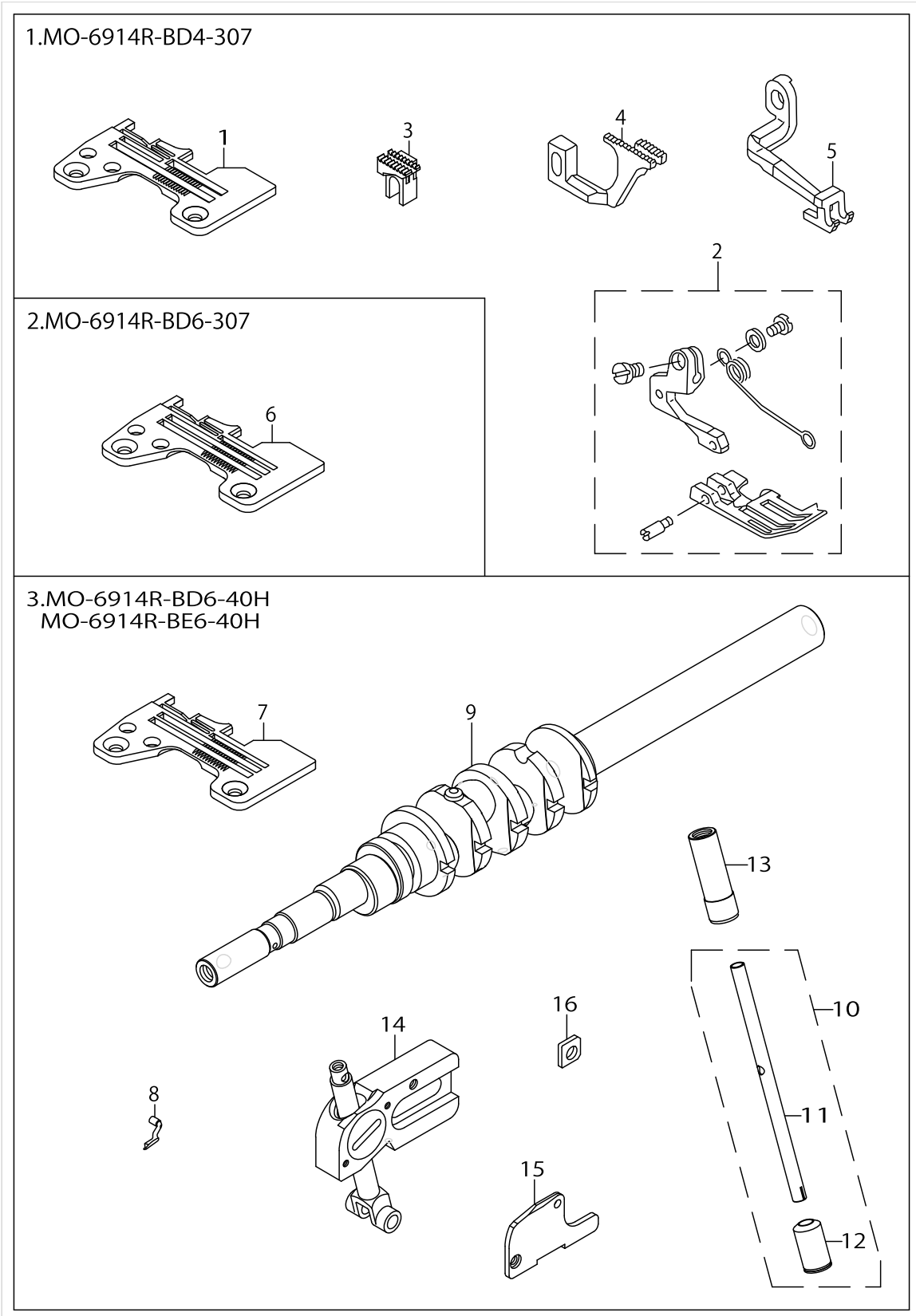
List No : 1350-01

PARTS LIST

Published:05/12/2017

CONTENTS

MO-6914R-BD4-307, MO-6914R-BD6-307, MO-6914R-BD6-40H,MO-6914R-BE6-40H	1
HOW TO MAKE USE OF THIS PARTS LIST	3



MO-6914R-BD4-307, MO-6914R-BD6-307, MO-6914R-BD6-40H,MO-6914R-BE6-40H

No.	Supply Code	Parts No.	Replacement	Parts name	Remarks	Choice	Step	Level	Cons	Qty	Rep. QTY
1		R4205J6DE00		THROAT PLATE						1	
2		11932357		PRESSER FOOT ASM.						1	
3		11597101		MAIN FEED DOG						1	
4		B1657814B0E		DIFFERENTIAL FEED DOG						1	
5		11936705		TOP FEED DOG						1	
6		R4305J6DE00		THROAT PLATE						1	
7		R4305J6DE00		THROAT PLATE	FOR MO-6-914R-BD6-40H					1	
8		12176103		UPPER LOOPER						1	
9		40023276		MAIN SHAFT ASM.						1	
10		13210059		NEEDLE HOLDER(B) ASM.						1	
11		13210000		NEEDLE HOLDER(B)				*		1	
12	R	13207709	13208350	NEEDLE ROD BUSHING, LOWER				*		1	1.00
13		13207600		NEEDLE HOLDER BUSHING,UPPER						1	
14		40015637		GUIDE SUPPORT ASM.						1	
15		13222203		UPPER LOOPER GUIDE COVER						1	
16		13132006		GAUGE						1	

HOW TO MAKE USE OF THIS PARTS LIST

1.As to "#01" and "#02" refer to the "Note" given at the bottom of the respective pages.

2.Codes on the "Qty" column

- Each numeral indicates the number of parts required.
- "0.1" and "2.5" indicate the length (in meters) of the respective parts.

3.Parentheses mean that the corresponding part is a subpart that constructs an assembly part.

4.Dotted lines on the Figures indicate assembly parts.

1. リストページの# 0 1、# 0 2の印は、ページ下の"注記"の説明を参照下さい。
2. 数量欄の数字は、個数を表し、0. 1、2. 5等の数値は、長さ（単位メートル）を表します。
3. 数量欄の（ ）は、組部品を構成している子部品であることを意味します。
4. イラストページの-----枠は、組構成であることを意味します。

NUMERICAL INDEX OF PARTS

PART NO	PAGE	REF NO.
11597101	2	3
11932357	2	2
11936705	2	5
12176103	2	8
13132006	2	16
13207600	2	13
13207709	2	12
13210000	2	11
13210059	2	10
13222203	2	15
40015637	2	14
40023276	2	9
B1657814B0E	2	4
R4205J6DE00	2	1
R4305J6DE00	2	7