

MODEL : ACF-164-1903

List No : 1297-00

# PARTS LIST

Published:05/12/2017

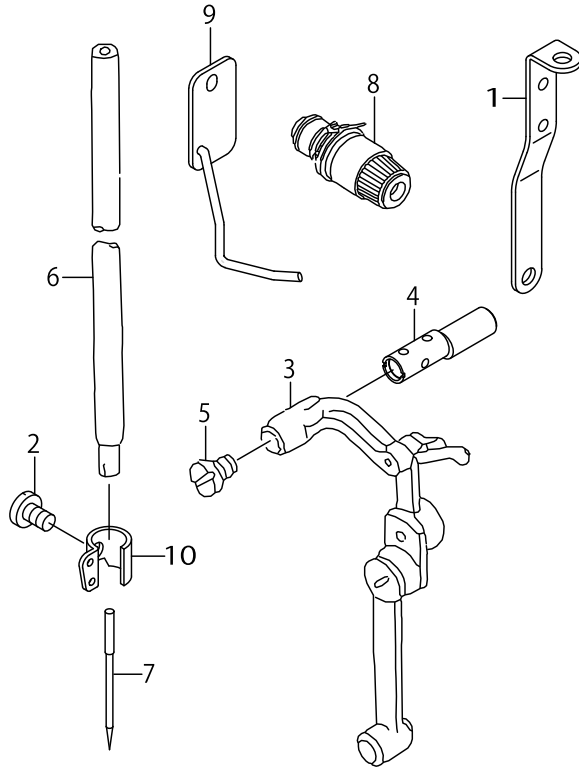
## CONTENTS

---

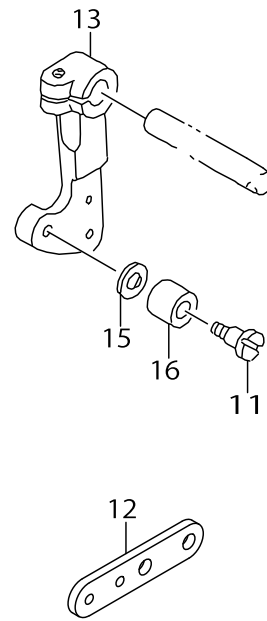
|   |     |
|---|-----|
| NEEDLE BAR & THREAD TENSION, PRESSER LIFTER, SHAFT COMPONENTS.....            | 1   |
| FRAME & MICELLANEOUS COVER COMPONENTS .....                                   | 3   |
| BUTTON SENSOR COMPONENTS.....   | 5   |
| BUTTON CLAMP COMPONENTS.....  | 7   |
| BUTTON CLAMP COMPONENTS (ATTACHMENT FOR DIUM-SIZED BUTTONS) (OPTION) .....    | 11  |
| FINE POSITION OF BUTTONS COMPONENTS (1).....                                  | 13  |
| FINE POSITION OF BUTTONS COMPONENTS (2).....                                  | 17  |
| CAM COMPONENTS.....   | 21  |
| INDEX COMPONENTS (1) .....  | 23  |
| INDEX COMPONENTS (2) .....  | 27  |
| FEEDER BOWL COMPONENTS.....   | 31  |
| FRAME COMPONENTS .....  | 33  |
| COVER COMPONENTS.....   | 37  |
| COVER & KNEE SWITCH COMPONENTS.....   | 39  |
| SOLENOID VALVE & REGULATOR COMPONENTS.....                                    | 41  |
| FEED MECHANISM COMPONENTS.....  | 43  |
| FEED MECHANISM DRIVE & SWITCH COMPONENTS.....                                 | 47  |
| CLAMP ARM COMPONENTS.....   | 51  |
| SET PLATE COMPONENTS.....   | 53  |
| GAUGE & STACKER GUARD COMPONENTS .....  | 57  |
| CONVEYOR COMPONENTS .....   | 59  |
| STACKER COMPONENTS.....   | 63  |
| STACKER CYLINDER COMPONENTS.....  | 67  |
| MACHINE TABLE COMPONENTS .....  | 69  |
| CONTROL BOX COMPONENTS .....  | 73  |
| CPU CIRCUIT BOARD COMPONENTS.....   | 77  |
| I/O CIRCUIT BOARD COMPONENTS .....  | 79  |
| PANEL BOX COMPONENTS.....   | 81  |
| BR-CONTROL BOX COMPONENTS.....  | 83  |
| PANEL CIRCUIT BOARD COMPONENTS.....   | 85  |
| MC591 CONTROL BOX COMPONENTS.....   | 87  |
| MC591 WIRING DIAGRAM .....  | 89  |
| MC591 OPERATION BOX & ACCESSORIE COMPOENENTS.....                             | 91  |
| THREAD STAND COMPONENTS.....  | 93  |
| ACCESSORIES COMPONENTS.....   | 95  |
| ASSISTANT CLAMP , LIGHT MATERIAL CLAMP & LEAD CLAMP COMPONENTS (OPTIONAL).... | 97  |
| ASSISTANT FEED PLATE COMPONENTS .....   | 99  |
| NO.2 PRESSER COMPONENTS .....   | 101 |
| HOW TO MAKE USE OF THIS PARTS LIST .....                                      | 103 |

NEEDLE BAR & THREAD TENSION, PRESSER LIFTER, SHAFT COMPONENTS

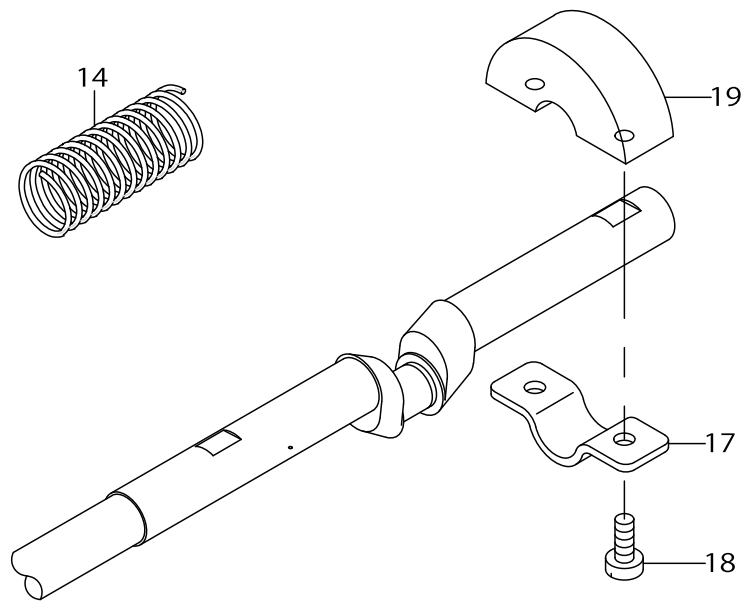
NEEDLE BAR & THREAD TENSION COMPONENTS  
針棒・糸調子関係



PRESSER LIFTER COMPONENTS  
押え上げ関係



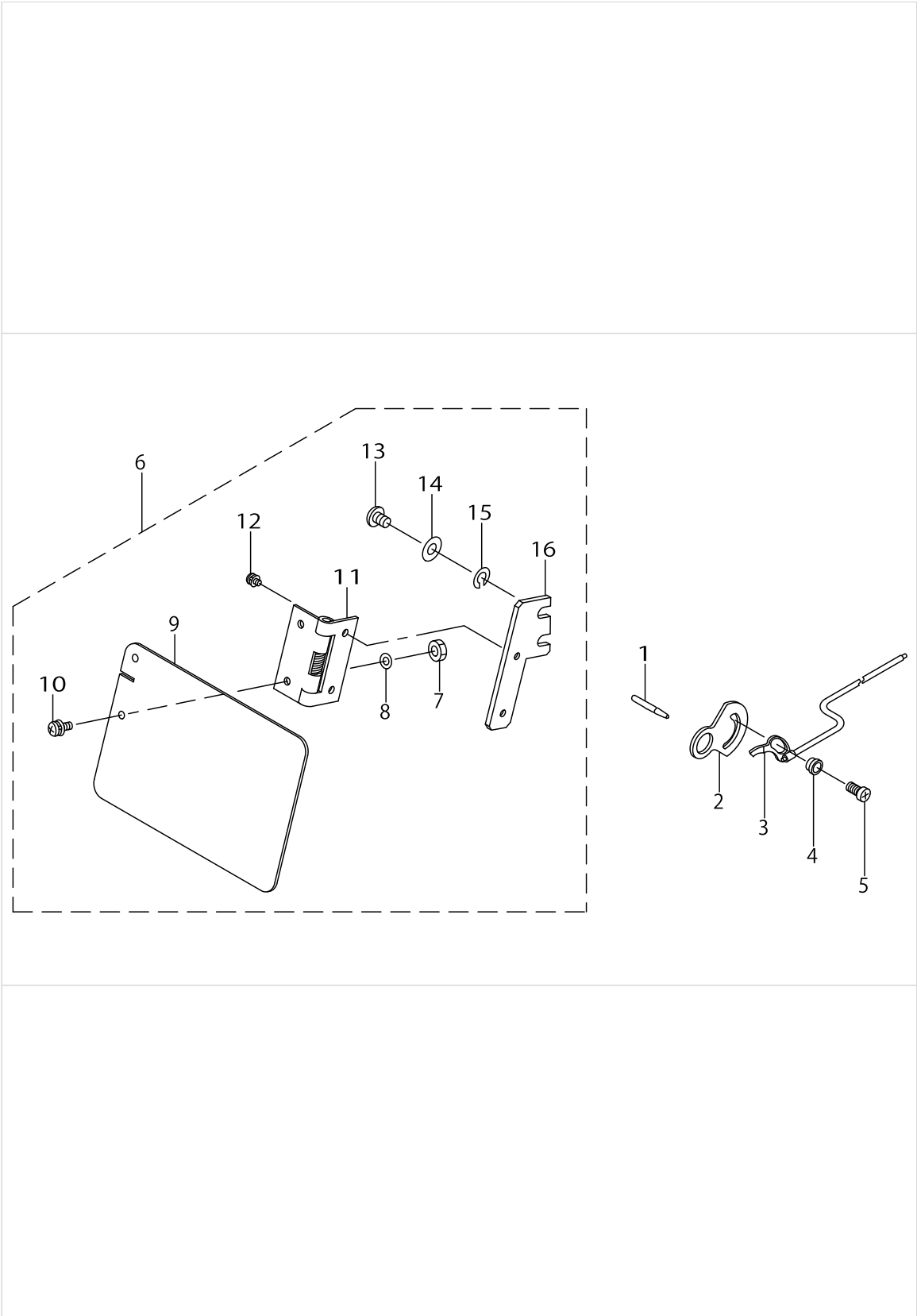
SHAFT COMPONENTS  
軸関係



NEEDLE BAR & THREAD TENSION, PRESSER LIFTER, SHAFT COMPONENTS

| No. | Supply Code | Parts No.   | Replacement | Parts name                     | Remarks | Choice | Step | Level | Cons | Qty | Rep. QTY |
|-----|-------------|-------------|-------------|--------------------------------|---------|--------|------|-------|------|-----|----------|
| 1   |             | B1114581000 |             | THREAD GUIDE PLATE             |         |        |      |       |      | 1   |          |
| 2   |             | SS7080510TP |             | SCREW 1/8-44 L=4.5             |         |        |      |       |      | 1   |          |
| 3   |             | D1901L7VVB0 |             | THREAD TAKE-UP LEVER ASM.      |         |        |      |       |      | 1   |          |
| 4   |             | D1904L7VV00 |             | LINK TAKE-UP LEVER PIN, HEAVY  |         |        |      |       |      | 1   |          |
| 5   |             | D1906L7VV00 |             | SET SCREW                      |         |        |      |       |      | 1   |          |
| 6   | D           | D1401L7VV00 |             | NEEDLE BAR                     |         |        |      |       |      | 1   |          |
| 7   |             | MDP170B1400 |             | NEEDLE DPX17 #14               |         |        |      |       |      | 1   |          |
| 8   |             | B23022050A0 |             | TENSION CONTROLLER NO.2 ASM.   |         |        |      |       |      | 1   |          |
| 9   |             | B55412050A0 |             | THREADING GUIDE ASM.           |         |        |      |       |      | 1   |          |
| 10  |             | D1405M7WF00 |             | NEEDLE BAR THREAD GUIDE        |         |        |      |       |      | 1   |          |
| 11  |             | SD0791271SP |             | HINGE SCREW D= 7.94 H=12.7     |         |        |      |       |      | 1   |          |
| 12  |             | 14147003    |             | SOLENOID LINK                  |         |        |      |       |      | 1   |          |
| 13  |             | 13541313    |             | CONNECTING ARM                 |         |        |      |       |      | 1   |          |
| 14  |             | 14148407    |             | VERTICAL FEED SHAFT SPRING     |         |        |      |       |      | 1   |          |
| 15  |             | B185351200E |             | HOOK SHAFT WASHER              |         |        |      |       |      | 1   |          |
| 16  | R           | B2619372000 | 26028803    | STOP MOTION TRIPPING LEVER CAM |         |        |      |       |      | 1   | 1.00     |
| 17  | D           | B1208210D00 |             | CRANK BALANCER FIX PLATE       |         |        |      |       |      | 1   |          |
| 18  |             | SS6121210SP |             | SCREW 3/16-28 L=12             |         |        |      |       |      | 2   |          |
| 19  |             | B1207210D00 |             | CRANK BALANCER                 |         |        |      |       |      | 1   |          |

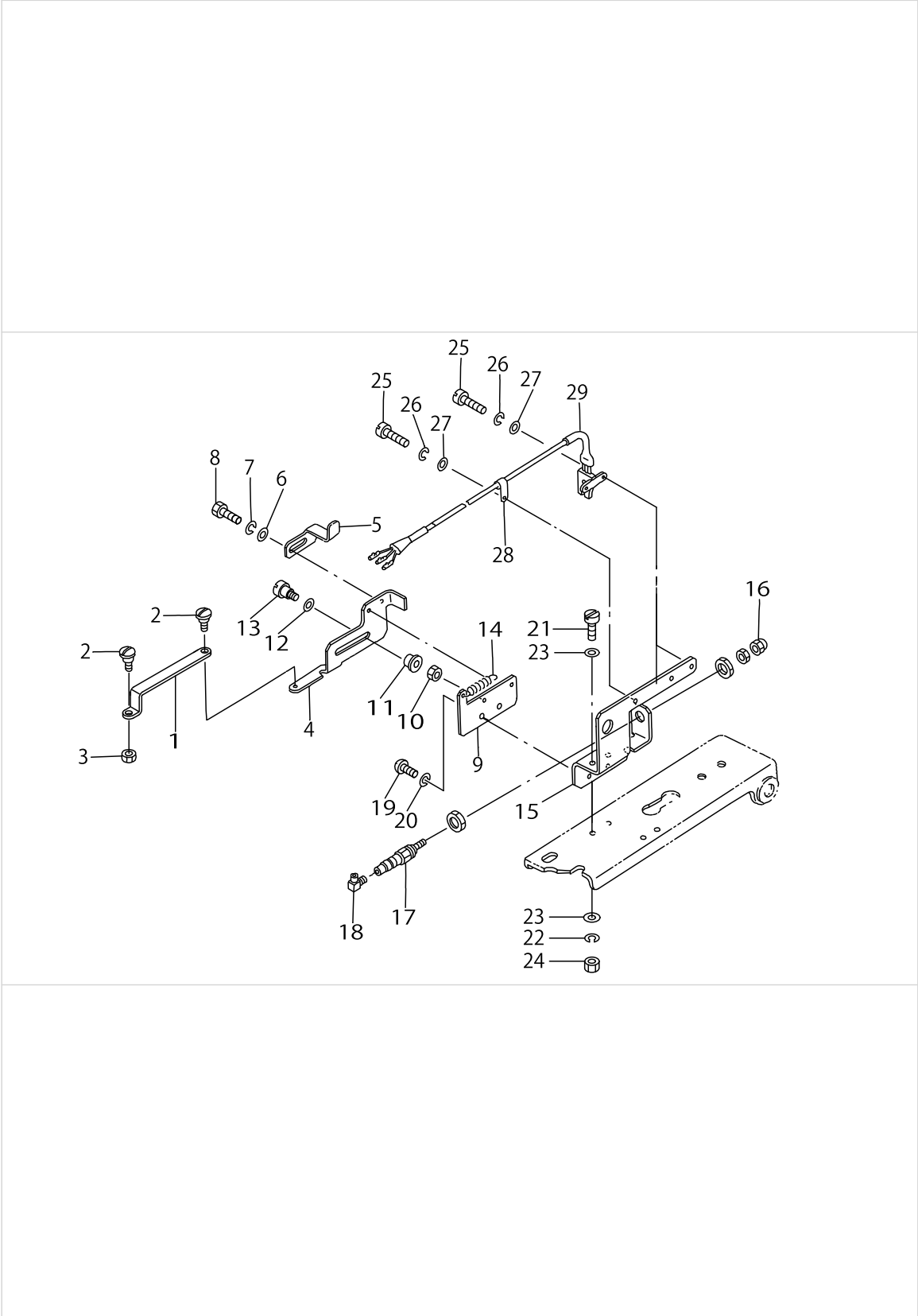
FRAME & MICELLANEOUS COVER COMPONENTS



FRAME & MICELLANEOUS COVER COMPONENTS

| No. | Supply Code | Parts No.   | Replacement | Parts name                 | Remarks | Choice | Step | Level | Cons | Qty | Rep. QTY |
|-----|-------------|-------------|-------------|----------------------------|---------|--------|------|-------|------|-----|----------|
| 1   |             | G2303270000 |             | THREAD RELEASE PIN         |         |        |      |       |      | 1   |          |
| 2   |             | B2702210000 |             | DETECTING PLATE GUIDE      |         |        |      |       |      | 1   |          |
| 3   |             | G6101164BA0 |             | DETECTING PLATE ASM.       |         |        |      |       |      | 1   |          |
| 4   |             | B2703210000 |             | BUSHING                    |         |        |      |       |      | 1   |          |
| 5   |             | SS7090850SP |             | SCREW 9/64-40 L=8          |         |        |      |       |      | 1   |          |
| 6   | D           | G5433164BA0 |             | SAFETY PLATE ASM.          |         |        |      |       |      | 1   |          |
| 7   |             | NM6030001SC |             | NUT M3                     |         |        |      | *     |      | 2   |          |
| 8   |             | WP0320501SC |             | WASHER M3                  |         |        |      | *     |      | 2   |          |
| 9   |             | G5901172000 |             | SAFETY PLATE               |         |        |      | *     |      | 1   |          |
| 10  |             | SL4031091SC |             | SCREW M3 X 10              |         |        |      | *     |      | 2   |          |
| 11  |             | G5903172000 |             | SAFETYPLATEHINGE           |         |        |      | *     |      | 1   |          |
| 12  |             | SL4030691SC |             | SCREW M3X6                 |         |        |      | *     |      | 2   |          |
| 13  |             | SS4110715SP |             | SCREW 11/64-40 L=7         |         |        |      | *     |      | 2   |          |
| 14  |             | WS0451040KP |             | SPRING WASHER 4.5X8.5X1    |         |        |      | *     |      | 2   |          |
| 15  |             | WP0450801SD |             | WASHER 4.5X10X0.8          |         |        |      | *     |      | 2   |          |
| 16  |             | G5433164B00 |             | SAFETY PLATE FITTING PLATE |         |        |      | *     |      | 1   |          |

BUTTON SENSOR COMPONENTS

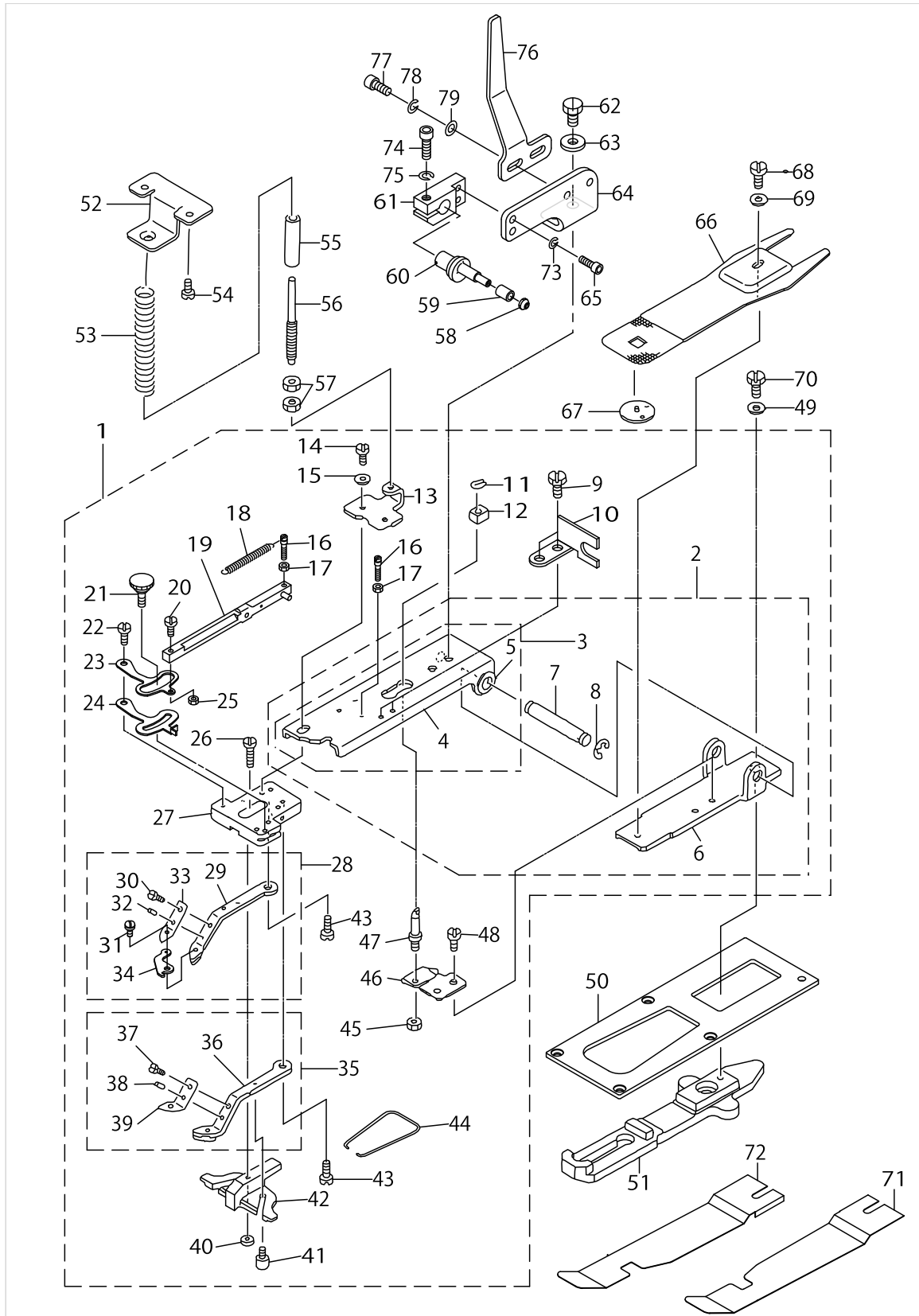


BUTTON SENSOR COMPONENTS

| No. | Supply Code | Parts No.    | Replacement | Parts name              | Remarks | Choice | Step | Level | Cons | Qty | Rep. QTY |
|-----|-------------|--------------|-------------|-------------------------|---------|--------|------|-------|------|-----|----------|
| 1   |             | MAZ08920000A |             | LINK BAR                |         |        |      |       |      | 1   |          |
| 2   |             | MAZ08921000  |             | LINK SCREW, B           |         |        |      |       |      | 2   |          |
| 3   |             | NM6860003SC  |             | NUT M2.6                |         |        |      |       |      | 1   |          |
| 4   |             | MAZ08919000  |             | SLIDER LINK             |         |        |      |       |      | 1   |          |
| 5   |             | MAZ16722000  |             | PLATE                   |         |        |      |       |      | 1   |          |
| 6   |             | WP0320501SC  |             | WASHER M3               |         |        |      |       |      | 1   |          |
| 7   |             | WS0310002KN  |             | SPRING WASHER M3        |         |        |      |       |      | 1   |          |
| 8   |             | SM6030602TP  |             | SCREW M3X0.5 L=6        |         |        |      |       |      | 1   |          |
| 9   | D           | MAZ16726000  |             | PLATE                   |         |        |      |       |      | 1   |          |
| 10  |             | NS6080210SP  |             | NUT 1/8-44              |         |        |      |       |      | 2   |          |
| 11  |             | MAZ16723000  |             | BEARING                 |         |        |      |       |      | 2   |          |
| 12  |             | WP0451026SH  |             | WASHER                  |         |        |      |       |      | 2   |          |
| 13  |             | SD0450403TP  |             | HINGE SCREW             |         |        |      |       |      | 2   |          |
| 14  |             | D3149141E00  |             | SPRING                  |         |        |      |       |      | 1   |          |
| 15  | D           | MAZ16718000  |             | PLATE                   |         |        |      |       |      | 1   |          |
| 16  |             | NM7030510SA  |             | NUT M3                  |         |        |      |       |      | 1   |          |
| 17  |             | PA0601004A0  |             | AIR CYLINDER            |         |        |      |       |      | 1   |          |
| 18  |             | PJ046052503  |             | HOSE ELBOW              |         |        |      |       |      | 1   |          |
| 19  | R           | SS4080610SP  | SS4080620TP | SCREW 1/8-44 L=6.4      |         |        |      |       |      | 2   | 1.00     |
| 20  |             | WS0310002KN  |             | SPRING WASHER M3        |         |        |      |       |      | 2   |          |
| 21  |             | SS6111620SP  |             | SCREW 11/64-40 L=16.0   |         |        |      |       |      | 2   |          |
| 22  |             | WS0451040KP  |             | SPRING WASHER 4.5X8.5X1 |         |        |      |       |      | 2   |          |
| 23  |             | WP0450801SD  |             | WASHER 4.5X10X0.8       |         |        |      |       |      | 4   |          |
| 24  |             | NS6110420SP  |             | NUT 11/64-40            |         |        |      |       |      | 2   |          |
| 25  |             | SS6080810SP  |             | SCREW 1/8-44 L= 8.0     |         |        |      |       |      | 3   |          |
| 26  |             | WS0310002KN  |             | SPRING WASHER M3        |         |        |      |       |      | 3   |          |
| 27  |             | WP0320501SC  |             | WASHER M3               |         |        |      |       |      | 3   |          |
| 28  |             | HX00150000A  |             | CABLE CLAMP             |         |        |      |       |      | 1   |          |
| 29  |             | MAZ167820A0  |             | SENSOR SWITCH ASM.      |         |        |      |       |      | 1   |          |



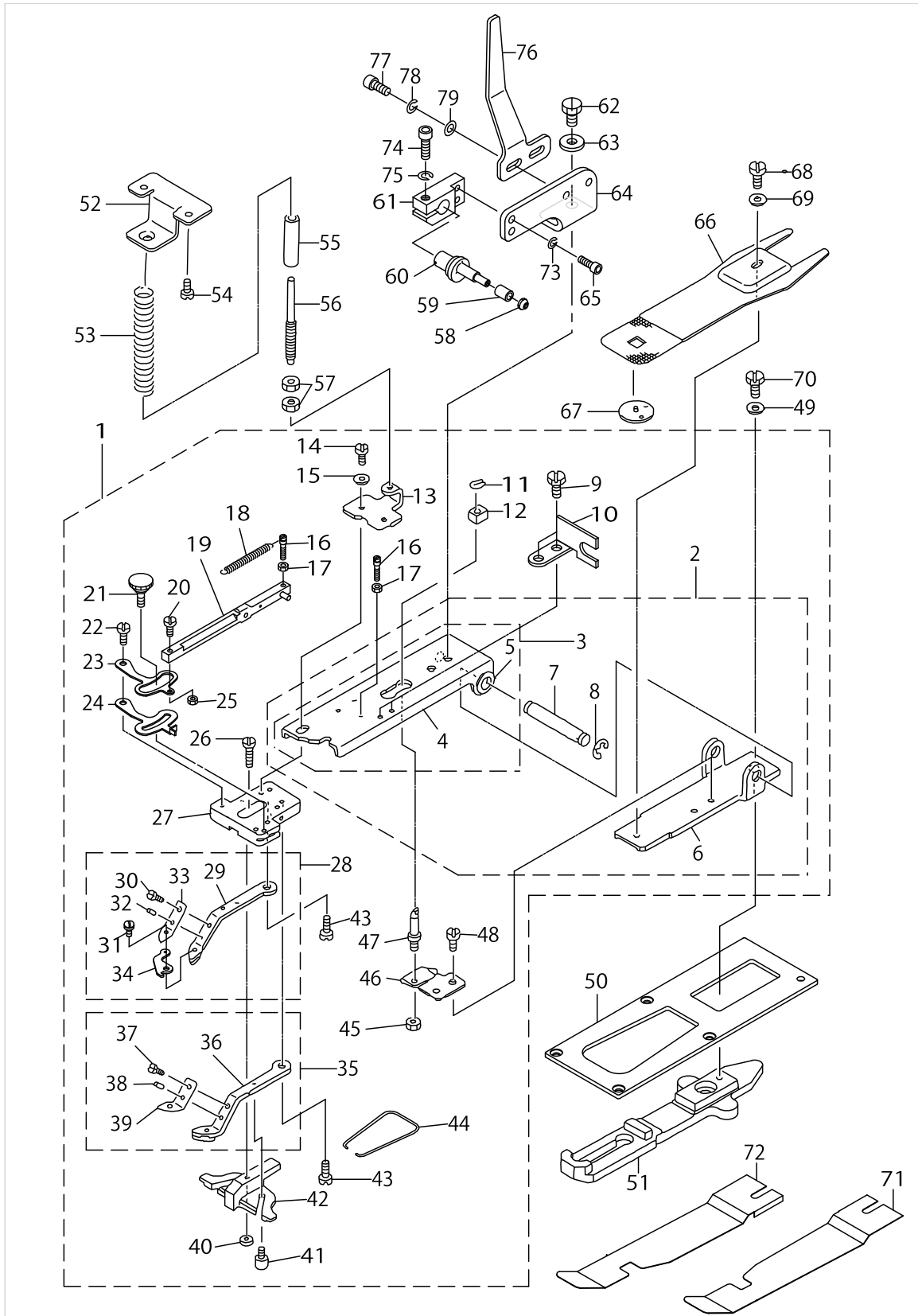
BUTTON CLAMP COMPONENTS



BUTTON CLAMP COMPONENTS

| No. | Supply Code | Parts No.    | Replacement | Parts name                     | Remarks | Choice | Step | Level | Cons | Qty | Rep. QTY |
|-----|-------------|--------------|-------------|--------------------------------|---------|--------|------|-------|------|-----|----------|
| 1   | D           | MAZ167140B0  |             | S BUTTON CLAMP MECHANISM ASM.  |         |        |      |       |      | 1   |          |
| 2   |             | MAZ155030B0  |             | CLAMP JAW LEVER BASE ASM.      |         |        |      | *     |      | 1   |          |
| 3   |             | MAZ155030A0  |             | CLAMP JAW LEVER BASE ASM.      |         |        |      | *     |      | 1   |          |
| 4   | R           | MAZ15503000  | MAZ155030A0 | CLAMP JAW LEVER BASE           |         |        |      | *     |      | 1   | 1.00     |
| 5   | D           | D2505232D00  |             | SUPPORT BOSS                   |         |        |      | *     |      | 2   |          |
| 6   |             | MAZ15504000  |             | BUTTON CLAMP M-ECHANISM BASE   |         |        |      | *     |      | 1   |          |
| 7   |             | D2502232D00  |             | SHAFTBLOCKSHAFT                |         |        |      | *     |      | 1   |          |
| 8   |             | RE070000K0   |             | E-RING 7                       |         |        |      | *     |      | 2   |          |
| 9   |             | SS9091010SP  |             | SCREW 9/64-40 L=10             |         |        |      | *     |      | 2   |          |
| 10  |             | D2572M1YC0F  |             | LINK SUPPORTING PLATE          |         |        |      | *     |      | 1   |          |
| 11  |             | D2548232D00  |             | SNAP RING, FOR CONNECTING ROD  |         |        |      | *     |      | 1   |          |
| 12  |             | MAZ15515000  |             | SLIDE BLOCK                    |         |        |      | *     |      | 1   |          |
| 13  | D           | MAZ15517000  |             | SLIDE BRACKET                  |         |        |      | *     |      | 1   |          |
| 14  |             | SS9621413SP  |             | SCREW 3/16-32 L=13.5           |         |        |      | *     |      | 2   |          |
| 15  |             | WP0501016SD  |             | WASHER 5X10.5X1                |         |        |      | *     |      | 2   |          |
| 16  |             | GBR01607000  |             | SPRING HOOK                    |         |        |      | *     |      | 2   |          |
| 17  |             | NS6080210SP  |             | NUT 1/8-44                     |         |        |      | *     |      | 2   |          |
| 18  |             | GBR01606000  |             | RELEASE RETURN SPRING          |         |        |      | *     |      | 1   |          |
| 19  |             | MAZ088270A0  |             | CLAMP PELEASE LINK ASM.        |         |        |      | *     |      | 1   |          |
| 20  |             | SS7091480SP  |             | SCREW 9/64-40 L=13.5           |         |        |      | *     |      | 1   |          |
| 21  |             | B2549372R00A |             | SCREW                          |         |        |      | *     |      | 1   |          |
| 22  |             | SD0500404SP  |             | HINGE SCREW                    |         |        |      | *     |      | 1   |          |
| 23  |             | GBR01601000A |             | CLAMP RELEASE LEVER            |         |        |      | *     |      | 1   |          |
| 24  |             | B2548372R00A |             | OPEN LEVER                     |         |        |      | *     |      | 1   |          |
| 25  |             | NS6090310SP  |             | NUT 9/64-40                    |         |        |      | *     |      | 1   |          |
| 26  |             | SD0550303SP  |             | HINGE SCREW                    |         |        |      | *     |      | 1   |          |
| 27  | R           | MAZ15505000  | D2563M1YC00 | BUTTON CLAMP JAW LEVER BASE    |         |        |      | *     |      | 1   | 1.00     |
| 28  |             | MAZ167140A0  |             | S BUTTON CLAMP JAW LEVER ASM.L |         |        |      | *     |      | 1   |          |
| 29  | D           | MAZ16714000  |             | S BUTTON CLAMP JAW LEVER, LEFT |         |        |      | *     |      | 1   |          |
| 30  |             | SS7090410SP  |             | SCREW 9/64-40 L=3.5            |         |        |      | *     |      | 1   |          |
| 31  |             | MAZ08916000  |             | LINK SCREW A                   |         |        |      | *     |      | 1   |          |
| 32  |             | B2559372000  |             | BUTTON CLAMP LOCATING PIN      |         |        |      | *     |      | 1   |          |
| 33  |             | MAZ08917000  |             | BUTTON HOLDING SPRING, LEFT    |         |        |      | *     |      | 1   |          |
| 34  |             | MAZ08915000A |             | DETECTOR LEVER                 |         |        |      | *     |      | 1   |          |
| 35  |             | MAZ165070B0  |             | S BUTTON CLAMP JAW LEVER ASM.R |         |        |      | *     |      | 1   |          |
| 36  | R           | MAZ165070A0  | MAZ165070B0 | S BUTTON CLAMP JAW LEVER ASM.R |         |        |      | *     |      | 1   | 1.00     |
| 37  |             | SS7090410SP  |             | SCREW 9/64-40 L=3.5            |         |        |      | *     |      | 1   |          |
| 38  |             | B2559372000  |             | BUTTON CLAMP LOCATING PIN      |         |        |      | *     |      | 1   |          |
| 39  |             | MAZ08829000  |             | SPRING, RIGHT                  |         |        |      | *     |      | 1   |          |
| 40  |             | B2553372000  |             | NUT                            |         |        |      | *     |      | 1   |          |
| 41  |             | B2560372000  |             | BUTTON CLAMP STOP PIN          |         |        |      | *     |      | 2   |          |
| 42  |             | MAZ16522000  |             | BUTTON GUIDE FOOT              |         |        |      | *     |      | 1   |          |
| 43  |             | MAZ15518000  |             | SCREW                          |         |        |      | *     |      | 2   |          |
| 44  |             | B2561372000  |             | BUTTON CLAMP SPRING            |         |        |      | *     |      | 1   |          |

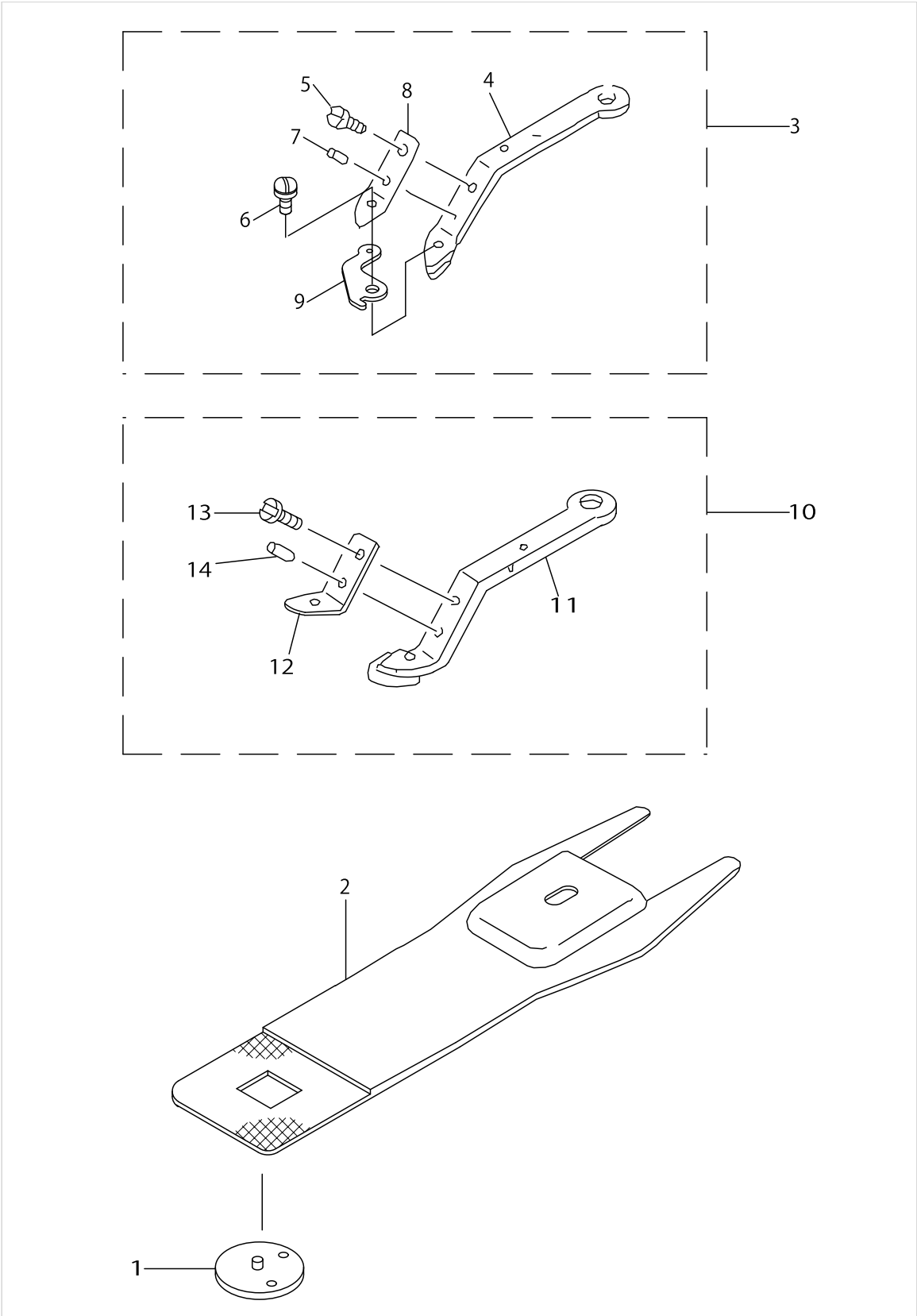
# BUTTON CLAMP COMPONENTS



BUTTON CLAMP COMPONENTS

| No. | Supply Code | Parts No.   | Replacement | Parts name                | Remarks        | Choice | Step | Level | Cons | Qty | Rep. QTY |
|-----|-------------|-------------|-------------|---------------------------|----------------|--------|------|-------|------|-----|----------|
| 45  |             | NS6150310SP |             | NUT 15/64-28              |                |        |      | *     |      | 1   |          |
| 46  |             | MAZ15514000 |             | SUPPORT PLATE             |                |        |      | *     |      | 1   |          |
| 47  |             | 13540901    |             | STATIONING BLOCK SHAFT    |                |        |      | *     |      | 1   |          |
| 48  |             | SS9110543CP |             | SCREW 11/64-40 L=5.3      |                |        |      | *     |      | 2   |          |
| 49  |             | WP0612516SD |             | WASHER 6.1X15.2X2.5       |                |        |      |       |      | 1   |          |
| 50  | R           | 13517602    | 26223602    | FEED PLATE PRESSER PLATE  |                |        |      |       |      | 1   | 1.00     |
| 51  |             | 14145106    |             | CLOTH FEED PLATE          |                |        |      |       |      | 1   |          |
| 52  |             | 13811906    |             | ACCEPT PLATE, UPPER       |                |        |      |       |      | 1   |          |
| 53  |             | 13812003    |             | PRESSURE SPRING           |                |        |      |       |      | 1   |          |
| 54  |             | SS7110840SP |             | SCREW 11/64-40 L=7.8      |                |        |      |       |      | 2   |          |
| 55  |             | D2527232D00 |             | SLEEVE                    |                |        |      |       |      | 1   |          |
| 56  |             | D2528232D00 |             | SHAFT                     |                |        |      |       |      | 1   |          |
| 57  | R           | B3125012000 | 22928808    | THREAD TENSION NUT        |                |        |      |       |      | 2   | 1.00     |
| 58  | D           | GBR01161000 |             | NUT                       |                |        |      |       |      | 1   |          |
| 59  | R           | GBR01160000 | 18200709    | ROLLER                    |                |        |      |       |      | 1   | 1.00     |
| 60  |             | 18207605    |             | HOOK                      |                |        |      |       |      | 1   |          |
| 61  |             | 18209007    |             | HOOK HOLDER               |                |        |      |       |      | 1   |          |
| 62  |             | SS9151120CP |             | SCREW 15/64-28 L=11       |                |        |      |       |      | 2   |          |
| 63  |             | WP0612516SD |             | WASHER 6.1X15.2X2.5       |                |        |      |       |      | 2   |          |
| 64  |             | GBR25004000 |             | HOLDER BRACKET            |                |        |      |       |      | 1   |          |
| 65  |             | SM6041202TP |             | SCREW M4X0.7 L=12         |                |        |      |       |      | 2   |          |
| 66  |             | MAZ15502000 |             | PRESSURE PLATE            |                |        |      |       |      | 1   |          |
| 67  |             | MAZ15601000 |             | GUIDE                     |                |        |      |       |      | 1   |          |
| 68  |             | SS9110543CP |             | SCREW 11/64-40 L=5.3      |                |        |      |       |      | 1   |          |
| 69  |             | WP0501016SD |             | WASHER 5X10.5X1           |                |        |      |       |      | 1   |          |
| 70  |             | SM6061202TP |             | SCREW M6 L=12             |                |        |      |       |      | 1   |          |
| 71  | D           | G5520164A00 |             | SUPPORT PLATE (FOR MAN)   | OPTIONAL PARTS |        |      |       |      | 1   |          |
| 72  |             | G5521164A00 |             | SUPPORT PLATE (FOR WOMAN) | OPTIONAL PARTS |        |      |       |      | 1   |          |
| 73  |             | WS0410002KN |             | SPRING WASHER             |                |        |      |       |      | 2   |          |
| 74  |             | SM6051602TP |             | SCREW M5X0.8 L=16         |                |        |      |       |      | 1   |          |
| 75  |             | WS0510002KN |             | SPRING WASHER             |                |        |      |       |      | 1   |          |
| 76  |             | GBR25003000 |             | LIFTING ACTUATING PLATE   |                |        |      |       |      | 1   |          |
| 77  |             | SM6051202TP |             | SCREW M5X0.8 L=12         |                |        |      |       |      | 2   |          |
| 78  |             | WS0510002KP |             | SPRING WASHER 5.1X9.2X1.3 |                |        |      |       |      | 2   |          |
| 79  |             | WP0531000SD |             | WASHER M5                 |                |        |      |       |      | 2   |          |

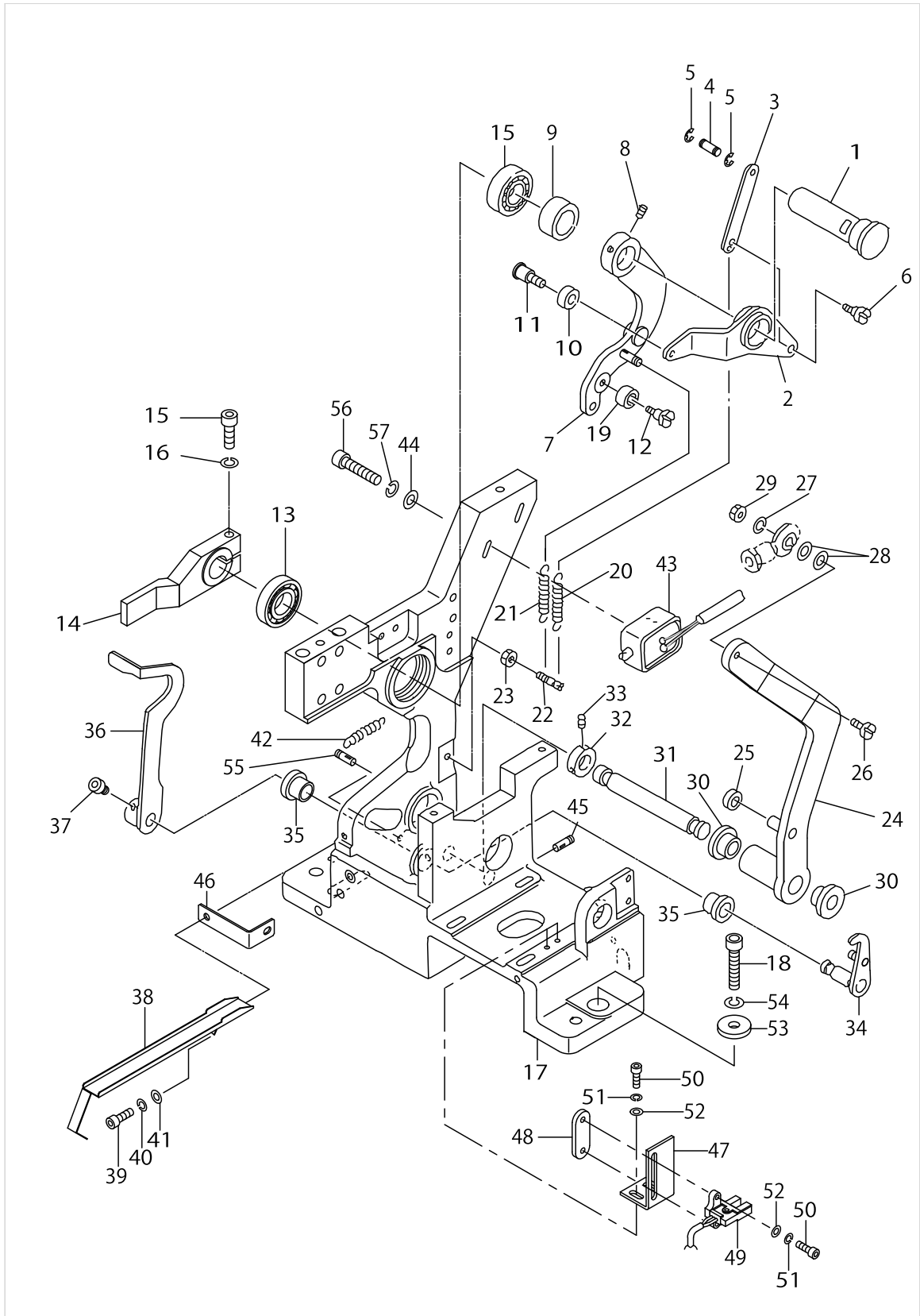
BUTTON CLAMP COMPONENTS (ATTACHMENT FOR DIUM-SIZED BUTTONS) (OPTION)



BUTTON CLAMP COMPONENTS (ATTACHMENT FOR DIUM-SIZED BUTTONS) (OPTION)

| No. | Supply Code | Parts No.    | Replacement | Parts name                        | Remarks | Choice | Step | Level | Cons | Qty | Rep. QTY |
|-----|-------------|--------------|-------------|-----------------------------------|---------|--------|------|-------|------|-----|----------|
| 1   |             | MAZ15601000  |             | GUIDE                             |         |        |      |       |      | 1   |          |
| 2   |             | MAZ15602000  |             | PRESSURE PLATE                    |         |        |      |       |      | 1   |          |
| 3   |             | MAZ168140A0  |             | M BUTTON CLAMP<br>JAW LEVER ASM.L |         |        |      |       |      | 1   |          |
| 4   |             | MAZ16814000  |             | M BUTTON CLAMP<br>JAW LEVER, LEFT |         |        |      | *     |      | 1   |          |
| 5   |             | SS7090410SP  |             | SCREW 9/64-40 L=3.5               |         |        |      | *     |      | 1   |          |
| 6   |             | MAZ08916000  |             | LINK SCREW A                      |         |        |      | *     |      | 1   |          |
| 7   |             | B2559372000  |             | BUTTON CLAMP LOCATING PIN         |         |        |      | *     |      | 1   |          |
| 8   |             | MAZ08917000  |             | BUTTON HOLDING SPRING,LEFT        |         |        |      | *     |      | 1   |          |
| 9   |             | MAZ08915000A |             | DETECTOR LEVER                    |         |        |      | *     |      | 1   |          |
| 10  |             | MAZ166070B0  |             | M BUTTON CLAMP<br>JAW LEVER ASM.R |         |        |      |       |      | 1   |          |
| 11  | R           | MAZ166070A0  | MAZ166070B0 | M BUTTON CLAMP<br>JAW LEVER ASM.R |         |        |      | *     |      | 1   | 1.00     |
| 12  |             | MAZ15509000  |             | SPRING, RIGHT                     |         |        |      | *     |      | 1   |          |
| 13  |             | SS7090410SP  |             | SCREW 9/64-40 L=3.5               |         |        |      | *     |      | 1   |          |
| 14  |             | B2559372000  |             | BUTTON CLAMP LOCATING PIN         |         |        |      | *     |      | 1   |          |

FINE POSITION OF BUTTONS COMPONENTS (1)

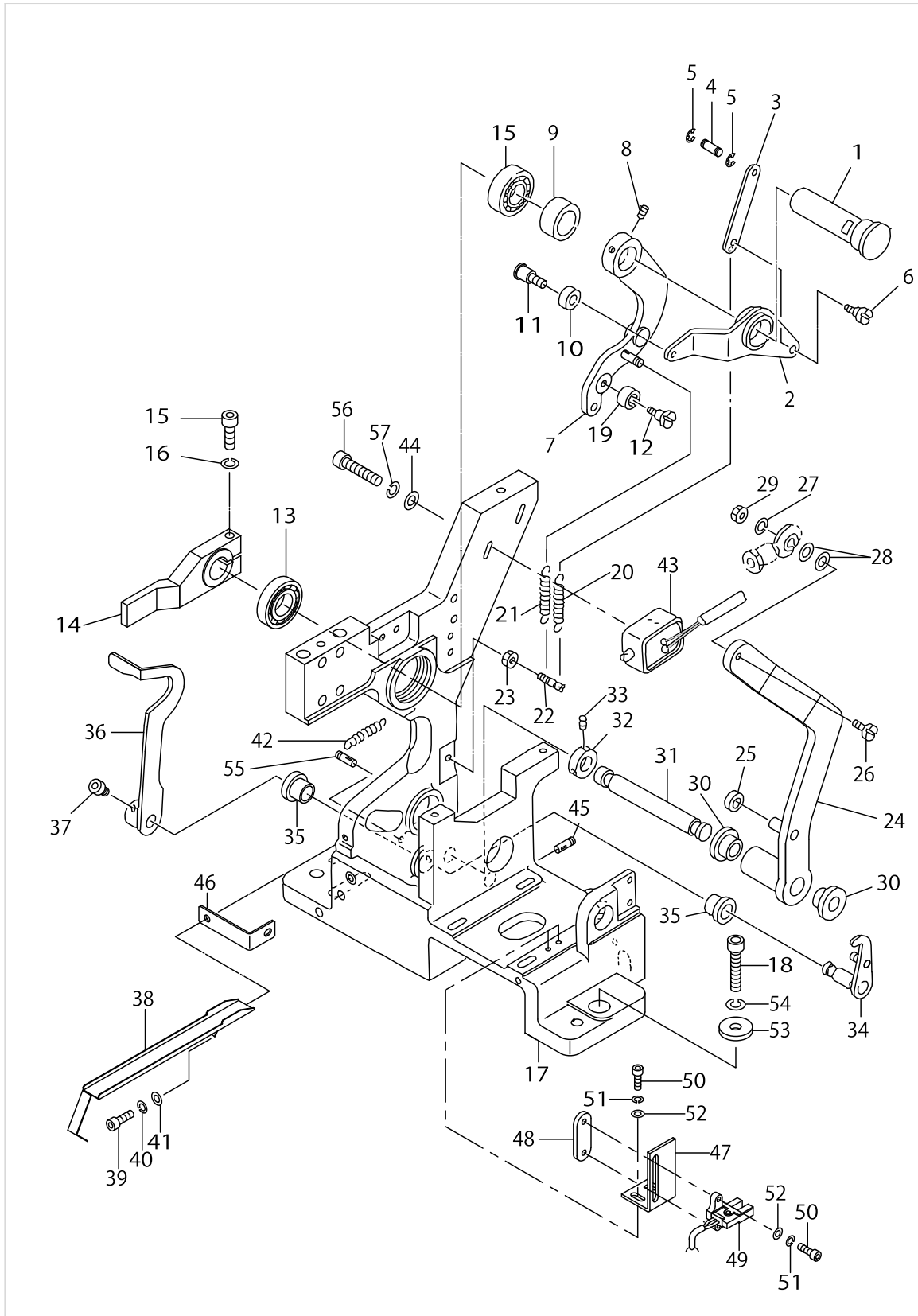


FINE POSITION OF BUTTONS COMPONENTS (1)

| No. | Supply Code | Parts No.   | Replacement | Parts name                | Remarks | Choice | Step | Level | Cons | Qty | Rep. QTY |
|-----|-------------|-------------|-------------|---------------------------|---------|--------|------|-------|------|-----|----------|
| 1   |             | 16552507    |             | ARM SHAFT                 |         |        |      |       |      | 1   |          |
| 2   |             | 18219709    |             | RUBBING UP-AND-DOWN LEVER |         |        |      |       |      | 1   |          |
| 3   |             | 18218206    |             | RUBBING UP-AND-DOWN LINK  |         |        |      |       |      | 1   |          |
| 4   |             | 16557209    |             | PIN                       |         |        |      |       |      | 1   |          |
| 5   |             | RE0200000K0 |             | E-RING                    |         |        |      |       |      | 2   |          |
| 6   |             | SD0600341TP |             | HINGE SCREW D=6.0 H=3.4   |         |        |      |       |      | 1   |          |
| 7   |             | 18227850    |             | UP AND DOWN LEVER ASM.    |         |        |      |       |      | 1   |          |
| 8   |             | SM8050602TP |             | SCREW M5 L=6              |         |        |      |       |      | 2   |          |
| 9   |             | 16552606    |             | THRUST COLLAR             |         |        |      |       |      | 1   |          |
| 10  |             | 18219808    |             | RUBBING ROLLER            |         |        |      |       |      | 1   |          |
| 11  |             | SD0600401TP |             | HINGE SCREW D= 6 H= 4     |         |        |      |       |      | 1   |          |
| 12  |             | SD0601021SP |             | HINGE SCREW D=6 H=10.2    |         |        |      |       |      | 1   |          |
| 13  |             | SB115000400 |             | RADIAL BEARING            |         |        |      |       |      | 2   |          |
| 14  |             | 18207902    |             | UP AND DOWN ARM           |         |        |      |       |      | 1   |          |
| 15  |             | SM6052502TP |             | SCREW M5X0.8 L=25         |         |        |      |       |      | 1   |          |
| 16  |             | WS0510002KN |             | SPRING WASHER             |         |        |      |       |      | 1   |          |
| 17  |             | 18227702    |             | MAIN BODY                 |         |        |      |       |      | 1   |          |
| 18  |             | SM6063002TP |             | SCREW M6 L=30             |         |        |      |       |      | 3   |          |
| 19  |             | 16556706    |             | BEARING                   |         |        |      |       |      | 1   |          |
| 20  |             | 16554008    |             | SPRING                    |         |        |      |       |      | 1   |          |
| 21  |             | 16553208    |             | SPRING                    |         |        |      |       |      | 1   |          |
| 22  |             | 16553307    |             | HOOK                      |         |        |      |       |      | 1   |          |
| 23  |             | NM6050001SC |             | NUT M5                    |         |        |      |       |      | 1   |          |
| 24  |             | 18206706    |             | TURNING LEVER             |         |        |      |       |      | 1   |          |
| 25  |             | 16556805    |             | COLLAR                    |         |        |      |       |      | 1   |          |
| 26  |             | SM6042002TP |             | SCREW M4X0.7 L=20         |         |        |      |       |      | 1   |          |
| 27  |             | WS0410002KN |             | SPRING WASHER             |         |        |      |       |      | 1   |          |
| 28  |             | WP0430800SC |             | WASHER M4                 |         |        |      |       |      | 2   |          |
| 29  |             | NM6040001SC |             | NUT M4                    |         |        |      |       |      | 1   |          |
| 30  |             | 16557506    |             | LEVER SHAFT METAL         |         |        |      |       |      | 2   |          |
| 31  |             | 16554503    |             | SHAFT                     |         |        |      |       |      | 1   |          |
| 32  |             | 16559007    |             | BASE A (BR-10)            |         |        |      |       |      | 1   |          |
| 33  |             | SM8040602TP |             | SCREW M4X0.7 L=6          |         |        |      |       |      | 2   |          |
| 34  |             | 18217752    |             | CLAMP RELEASE ASM.        |         |        |      |       |      | 1   |          |
| 35  |             | 16557605    |             | SHAFT BUSHING             |         |        |      |       |      | 2   |          |
| 36  |             | 18206904    |             | CLAMPRELEASEARM           |         |        |      |       |      | 1   |          |
| 37  |             | SM6050802TP |             | SCREW M5X0.8 L=8          |         |        |      |       |      | 2   |          |
| 38  |             | GBR11101000 |             | SUPPORT PLATE             |         |        |      |       |      | 1   |          |
| 39  |             | SM6041002TP |             | SCREW M4 L=10             |         |        |      |       |      | 1   |          |
| 40  |             | WS0410002KN |             | SPRING WASHER             |         |        |      |       |      | 1   |          |
| 41  |             | WP0430800SC |             | WASHER M4                 |         |        |      |       |      | 1   |          |
| 42  |             | 16554008    |             | SPRING                    |         |        |      |       |      | 1   |          |
| 43  |             | GBR10852000 |             | MAGNET                    |         |        |      |       |      | 1   |          |
| 44  |             | WP0320500SC |             | WASHER M3                 |         |        |      |       |      | 2   |          |
| 45  |             | SM8050502TP |             | SCREW M5 L=5              |         |        |      |       |      | 1   |          |
| 46  |             | GBR25005000 |             | CAM FIXING PLATE          |         |        |      |       |      | 1   |          |



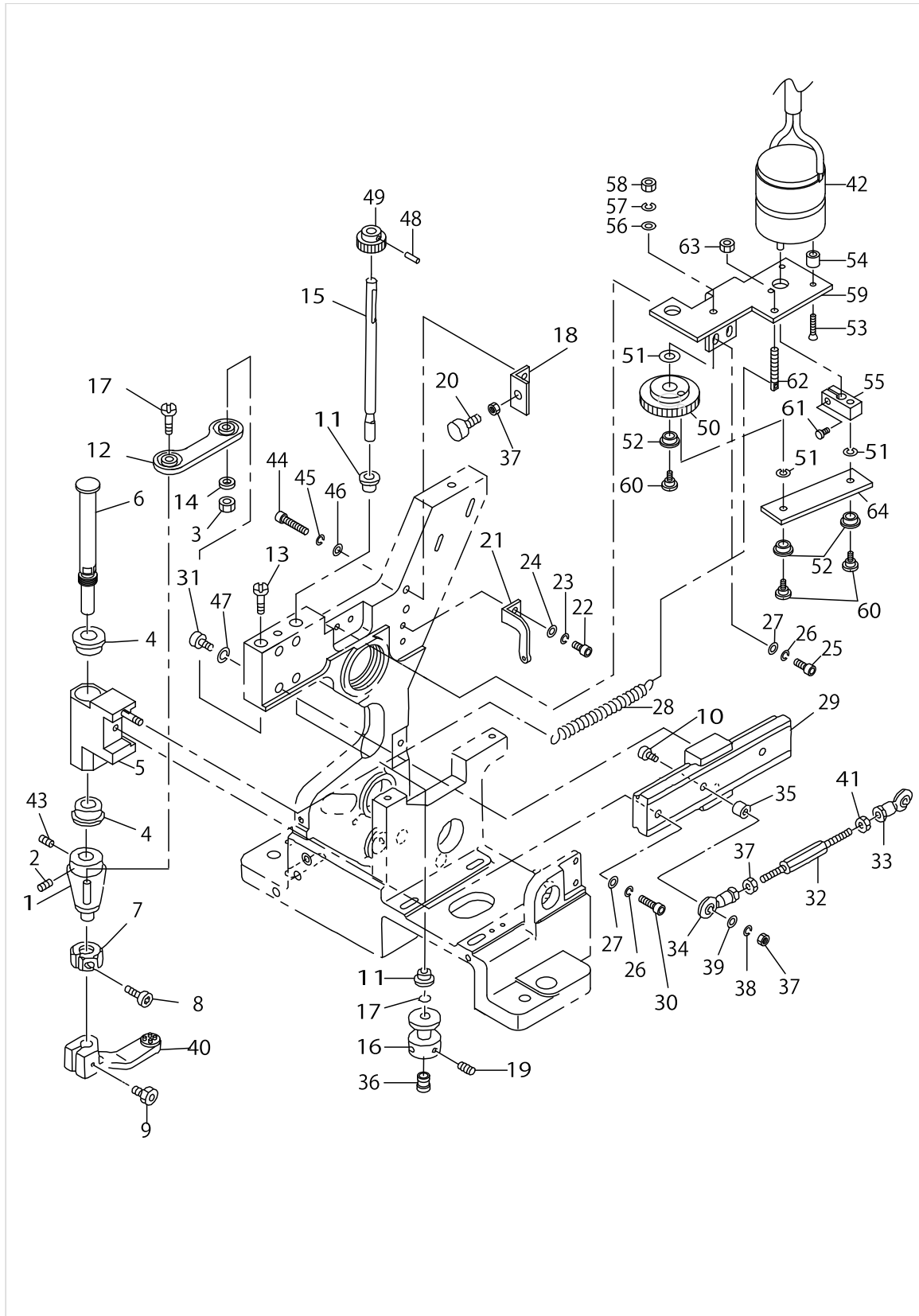
FINE POSITION OF BUTTONS COMPONENTS (1)



FINE POSITION OF BUTTONS COMPONENTS (1)

| No. | Supply Code | Parts No.   | Replacement | Parts name                 | Remarks | Choice | Step | Level | Cons | Qty | Rep. QTY |
|-----|-------------|-------------|-------------|----------------------------|---------|--------|------|-------|------|-----|----------|
| 47  | D           | GBR21103000 |             | SENSOR BRACKET             |         |        |      |       |      | 1   |          |
| 48  |             | G5153171000 |             | SENSOR PLATE               |         |        |      |       |      | 1   |          |
| 49  |             | GBR218420A0 |             | SWITCH ASM.                |         |        |      |       |      | 1   |          |
| 50  |             | SM6031002TP |             | HEXAGONAL BOLT M3 X 10     |         |        |      |       |      | 4   |          |
| 51  |             | WS0310002KN |             | SPRING WASHER M3           |         |        |      |       |      | 4   |          |
| 52  |             | WP0320501SC |             | WASHER M3                  |         |        |      |       |      | 4   |          |
| 53  |             | 16559601    |             | WASHER                     |         |        |      |       |      | 3   |          |
| 54  |             | WS0610002KN |             | SPRING WASHER 6.1X12.2X1.5 |         |        |      |       |      | 3   |          |
| 55  |             | 18219006    |             | DW PIN 4*14                |         |        |      |       |      | 1   |          |
| 56  |             | SM6031402TP |             | SCREW                      |         |        |      |       |      | 2   |          |
| 57  |             | WS0310002KN |             | SPRING WASHER M3           |         |        |      |       |      | 2   |          |

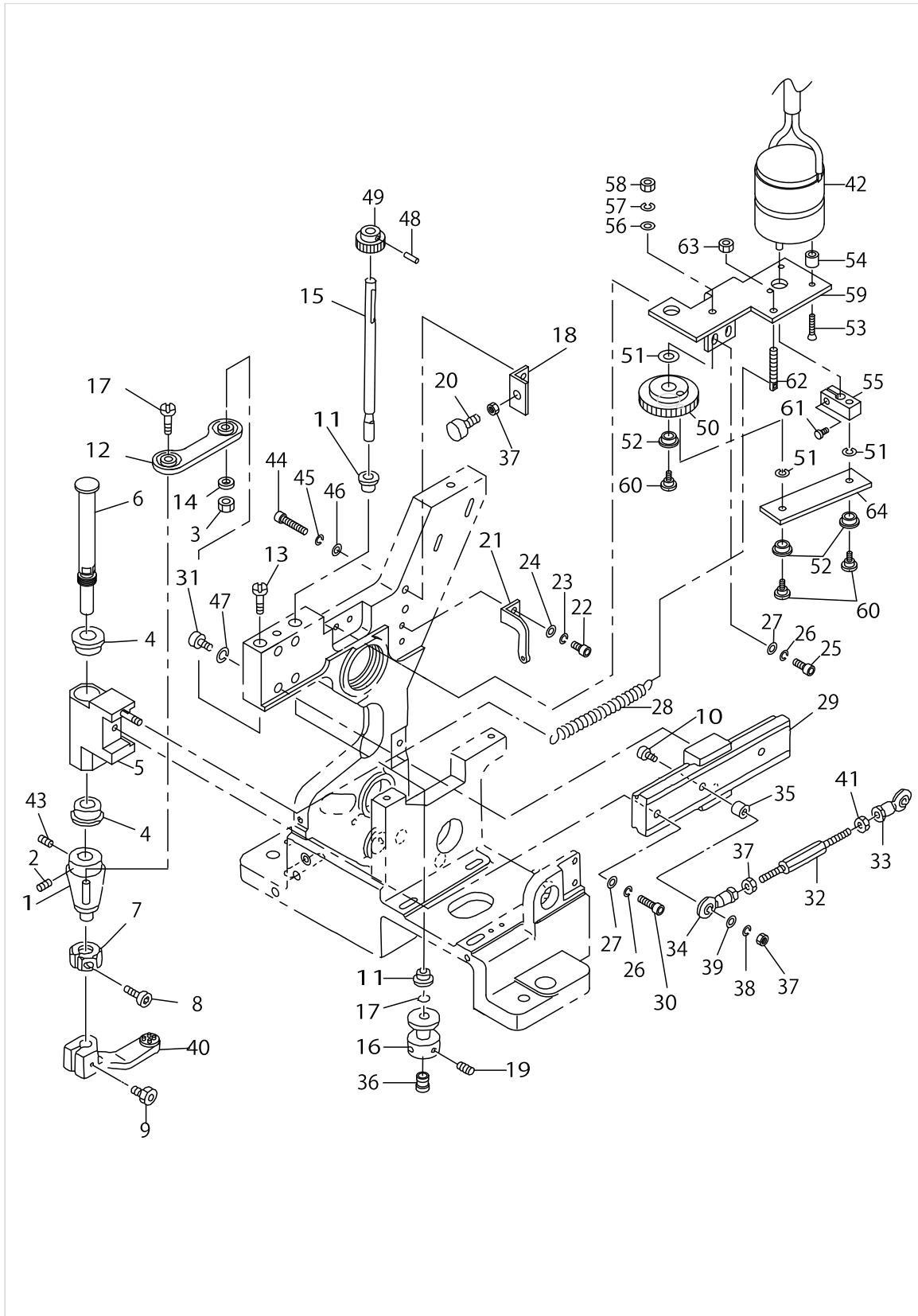
FINE POSITION OF BUTTON COMPONENTS (2)



FINE POSITION OF BUTTONS COMPONENTS (2)

| No. | Supply Code | Parts No.   | Replacement | Parts name              | Remarks | Choice | Step | Level | Cons | Qty | Rep. QTY |
|-----|-------------|-------------|-------------|-------------------------|---------|--------|------|-------|------|-----|----------|
| 1   |             | 18206003    |             | TURNING LEVER BOSS      |         |        |      |       |      | 1   |          |
| 2   |             | SM8050602TP |             | SCREW M5 L=6            |         |        |      |       |      | 1   |          |
| 3   |             | NM6050001SC |             | NUT M5                  |         |        |      |       |      | 1   |          |
| 4   |             | 16557407    |             | ARM SHAFT METAL         |         |        |      |       |      | 2   |          |
| 5   |             | 18227959    |             | TURNING HEAD ASM.       |         |        |      |       |      | 1   |          |
| 6   |             | 18205906    |             | TURNING SHAFT           |         |        |      |       |      | 1   |          |
| 7   |             | 18206409    |             | STOPPER                 |         |        |      |       |      | 1   |          |
| 8   |             | SM6031202TP |             | SCREW M3X0.5 L=12       |         |        |      |       |      | 1   |          |
| 9   |             | GBR11108000 |             | CARRIERFIXED BOLT       |         |        |      |       |      | 1   |          |
| 10  |             | SM6042502TP |             | SCREW M4X0.7 L=25       |         |        |      |       |      | 1   |          |
| 11  |             | 16557308    |             | METAL                   |         |        |      |       |      | 2   |          |
| 12  |             | 18206656    |             | CONNECTING PLATE ASM.   |         |        |      |       |      | 1   |          |
| 13  |             | 18205708    |             | SCREW                   |         |        |      |       |      | 2   |          |
| 14  | R           | WS0510002KS | WS0510002KR | SPRING WASHER M5        |         |        |      |       |      | 1   | 1.00     |
| 15  |             | 18206201    |             | ROTATING ROD            |         |        |      |       |      | 1   |          |
| 16  |             | 16551905    |             | HOOK                    |         |        |      |       |      | 1   |          |
| 17  |             | 16558801    |             | O-RING                  |         |        |      |       |      | 1   |          |
| 18  |             | 18205609    |             | STOPPER HOLDER          |         |        |      |       |      | 1   |          |
| 19  |             | SM8040602TP |             | SCREW M4X0.7 L=6        |         |        |      |       |      | 2   |          |
| 20  |             | 16552309    |             | STOPPER                 |         |        |      |       |      | 1   |          |
| 21  |             | 18205401    |             | SPRING HOOK             |         |        |      |       |      | 1   |          |
| 22  |             | SM6040802TP |             | SCREW M4X0.7 L=8        |         |        |      |       |      | 2   |          |
| 23  |             | WS0410002KN |             | SPRING WASHER           |         |        |      |       |      | 2   |          |
| 24  |             | WP0430800SC |             | WASHER M4               |         |        |      |       |      | 2   |          |
| 25  |             | SM6041002TP |             | SCREW M4 L=10           |         |        |      |       |      | 2   |          |
| 26  |             | WS0410002KN |             | SPRING WASHER           |         |        |      |       |      | 3   |          |
| 27  |             | WP0430800SC |             | WASHER M4               |         |        |      |       |      | 3   |          |
| 28  |             | 16551806    |             | SPRING                  |         |        |      |       |      | 1   |          |
| 29  |             | 16556607    |             | LM GUIDE                |         |        |      |       |      | 1   |          |
| 30  |             | SM6041402TP |             | SCREW M4 L=14           |         |        |      |       |      | 1   |          |
| 31  |             | SM6031402TP |             | SCREW                   |         |        |      |       |      | 4   |          |
| 32  |             | 16550204    |             | CONNECTING ROD          |         |        |      |       |      | 1   |          |
| 33  |             | 16556409    |             | ROD END                 |         |        |      |       |      | 1   |          |
| 34  |             | 16556300    |             | ROD END                 |         |        |      |       |      | 1   |          |
| 35  |             | 16550402    |             | COLLAR B                |         |        |      |       |      | 1   |          |
| 36  |             | 18200501    |             | WORK ATTACHMENT (SMALL) |         |        |      |       |      | 1   |          |
| 37  |             | NM6040001SC |             | NUT M4                  |         |        |      |       |      | 3   |          |
| 38  |             | WS0410002KN |             | SPRING WASHER           |         |        |      |       |      | 1   |          |
| 39  |             | WP0430800SC |             | WASHER M4               |         |        |      |       |      | 1   |          |
| 40  |             | 16557902    |             | BUTTON CARRIER A        |         |        |      |       |      | 1   |          |
| 41  |             | GBR01175000 |             | ROD END NUT, LEFT       |         |        |      |       |      | 1   |          |
| 42  |             | GBR108550A0 |             | DC MOTOR ASM.           |         |        |      |       |      | 1   |          |
| 43  |             | SM8050502TP |             | SCREW M5 L=5            |         |        |      |       |      | 1   |          |
| 44  |             | SM6042002TP |             | SCREW M4X0.7 L=20       |         |        |      |       |      | 2   |          |
| 45  |             | WP0430800SC |             | WASHER M4               |         |        |      |       |      | 2   |          |
| 46  |             | WS0410002KN |             | SPRING WASHER           |         |        |      |       |      | 2   |          |

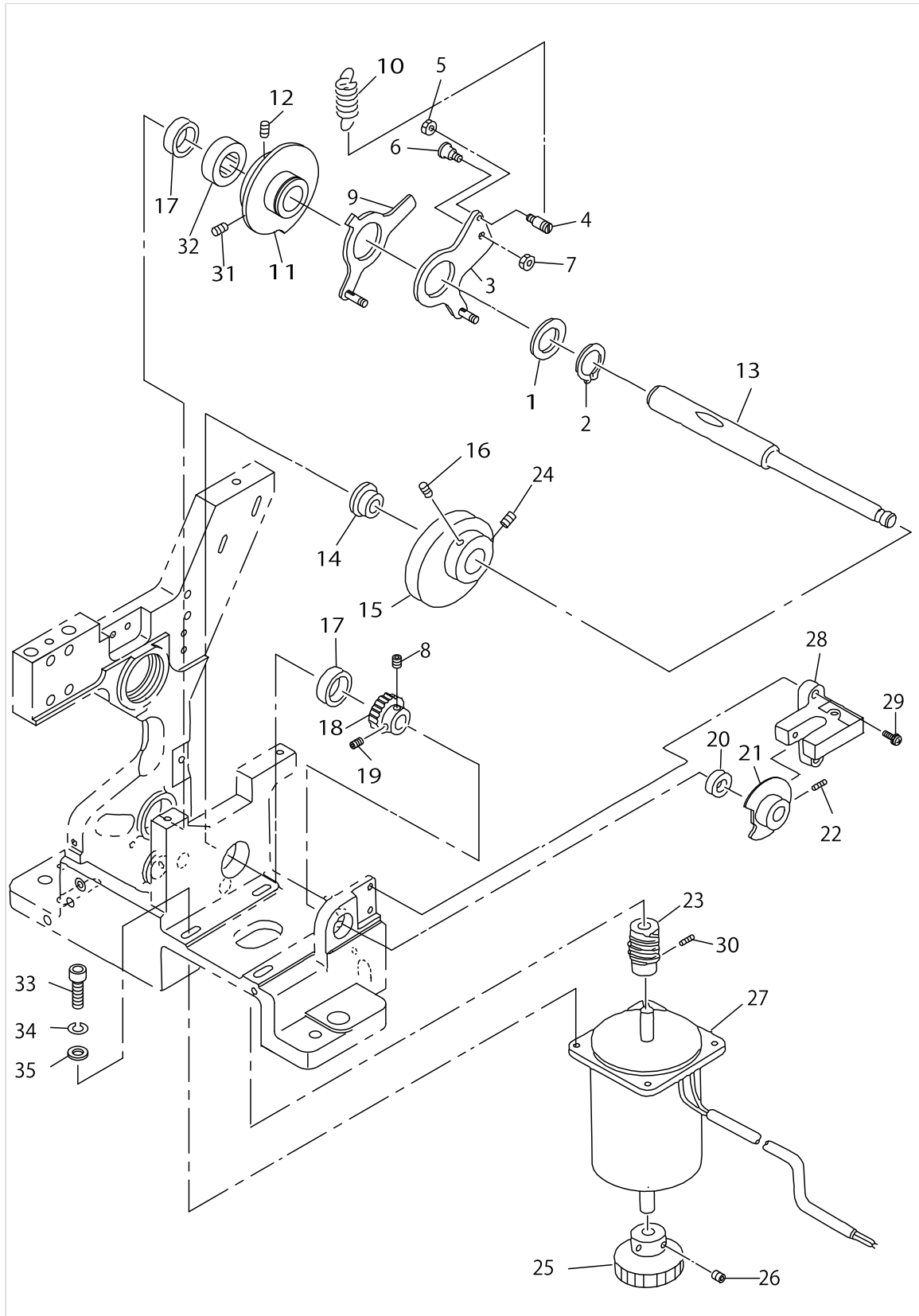
FINE POSITION OF BUTTONS COMPONENTS (2)



FINE POSITION OF BUTTONS COMPONENTS (2)

| No. | Supply Code | Parts No.   | Replacement | Parts name                      | Remarks | Choice | Step | Level | Cons | Qty | Rep. QTY |
|-----|-------------|-------------|-------------|---------------------------------|---------|--------|------|-------|------|-----|----------|
| 47  |             | WS0310002KN |             | SPRING WASHER M3                |         |        |      |       |      | 4   |          |
| 48  |             | PH0300125S0 |             | PIN                             |         |        |      |       |      | 1   |          |
| 49  |             | GBR11110000 |             | PINION, A                       |         |        |      |       |      | 1   |          |
| 50  |             | GBR11111000 |             | PINION, B                       |         |        |      |       |      | 1   |          |
| 51  |             | GBR11114000 |             | WASHER                          |         |        |      |       |      | 3   |          |
| 52  |             | E5006171000 |             | PS BEARING                      |         |        |      |       |      | 2   |          |
| 53  | R           | SM1031401SC | SM1031401SN | SCREW M3X0.5 L=14               |         |        |      |       |      | 3   | 1.00     |
| 54  | R           | 11110707    | 22956205    | WIPER HINGE SCREW COLLAR        |         |        |      |       |      | 3   | 1.00     |
| 55  |             | GBR11112000 |             | DRIVING ARM                     |         |        |      |       |      | 1   |          |
| 56  |             | WP0430801SC |             | WASHER 4.3X9X0.8                |         |        |      |       |      | 1   |          |
| 57  |             | WS0410002KN |             | SPRING WASHER                   |         |        |      |       |      | 1   |          |
| 58  |             | NS6110360SP |             | NUT                             |         |        |      |       |      | 1   |          |
| 59  |             | GBR11109000 |             | BRACKET                         |         |        |      |       |      | 1   |          |
| 60  |             | SD0600651TP |             | HINGE SCREW                     |         |        |      |       |      | 3   |          |
| 61  |             | SM6030602TP |             | SCREW M3X0.5 L=6                |         |        |      |       |      | 1   |          |
| 62  | R           | B1649161000 | 26226506    | TENSION SPRING A-DJUSTING SCREW |         |        |      |       |      | 1   | 1.00     |
| 63  |             | NS6110360SP |             | NUT                             |         |        |      |       |      | 1   |          |
| 64  |             | GBR11113000 |             | LINK                            |         |        |      |       |      | 1   |          |

# CAM COMPONENTS

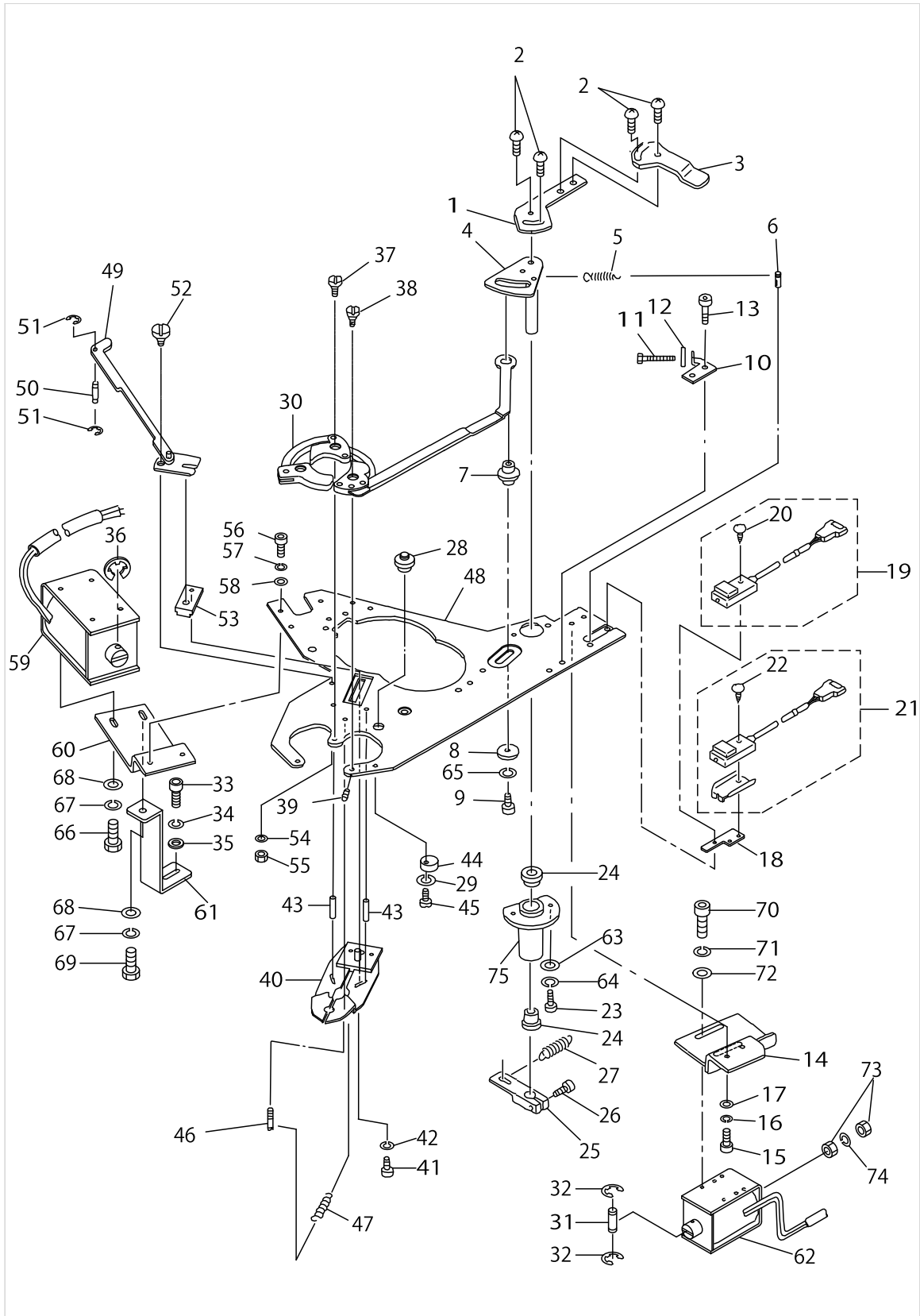


CAM COMPONENTS

| No. | Supply Code | Parts No.   | Replacement | Parts name                   | Remarks | Choice | Step | Level | Cons | Qty | Rep. QTY |
|-----|-------------|-------------|-------------|------------------------------|---------|--------|------|-------|------|-----|----------|
| 1   | D           | GBR01120000 |             | COLLAR                       |         |        |      |       |      | 1   |          |
| 2   |             | RC2500001KP |             | RETAINING RING 25            |         |        |      |       |      | 1   |          |
| 3   | D           | 18217950    |             | START TIMING CAM ASM.        |         |        |      |       |      | 1   |          |
| 4   |             | 16562803    |             | HOOK                         |         |        |      |       |      | 1   |          |
| 5   |             | NM6040001SC |             | NUT M4                       |         |        |      |       |      | 1   |          |
| 6   |             | 16562902    |             | HINGE SCREW                  |         |        |      |       |      | 1   |          |
| 7   |             | NM6050001SC |             | NUT M5                       |         |        |      |       |      | 1   |          |
| 8   |             | SM8050602TP |             | SCREW M5 L=6                 |         |        |      |       |      | 1   |          |
| 9   | D           | 18227553    |             | HOLDING CLAMP DRIVE CAM ASM. |         |        |      |       |      | 1   |          |
| 10  |             | B1426771000 |             | SPRING                       |         |        |      |       |      | 1   |          |
| 11  |             | 18207209    |             | DOUBLE CAM                   |         |        |      |       |      | 1   |          |
| 12  |             | SM8050612TP |             | SCREW M5X6                   |         |        |      |       |      | 1   |          |
| 13  |             | 18207506    |             | CAM SHAFT                    |         |        |      |       |      | 1   |          |
| 14  |             | 16560104    |             | CAMSHAFTCOLLAR1              |         |        |      |       |      | 1   |          |
| 15  |             | 16561607    |             | SPINNER OSCILLATING ARM CAM  |         |        |      |       |      | 1   |          |
| 16  |             | SM8050812TP |             | SCREW M5X8                   |         |        |      |       |      | 1   |          |
| 17  |             | GBR01168000 |             | NEEDLE BEARING 3             |         |        |      |       |      | 2   |          |
| 18  |             | 16562001    |             | WORM WHEEL                   |         |        |      |       |      | 1   |          |
| 19  |             | 16562407    |             | SCREW                        |         |        |      |       |      | 1   |          |
| 20  |             | 16562308    |             | NEEDLE BEARING               |         |        |      |       |      | 1   |          |
| 21  |             | GBR11107000 |             | SENSOR DOCK                  |         |        |      |       |      | 1   |          |
| 22  |             | SM8040602TP |             | SCREW M4X0.7 L=6             |         |        |      |       |      | 1   |          |
| 23  |             | 16562100    |             | WORM GEAR                    |         |        |      |       |      | 1   |          |
| 24  |             | SM8050842TP |             | SETSCREW                     |         |        |      |       |      | 1   |          |
| 25  |             | G5418164000 |             | SULLEY                       |         |        |      |       |      | 1   |          |
| 26  |             | SM8050602TP |             | SCREW M5 L=6                 |         |        |      |       |      | 1   |          |
| 27  | R           | GBR108590A0 | HM000670000 | DC MOTOR ASM.                |         |        |      |       |      | 1   | 1.00     |
| 28  | D           | HD000360000 |             | PHOTO MICRO SENSOR           |         |        |      |       |      | 1   |          |
| 29  |             | SL4031081SC |             | SCREW M3 X 10                |         |        |      |       |      | 2   |          |
| 30  |             | SM8040402TP |             | SCREW M4X0.7 L=4             |         |        |      |       |      | 2   |          |
| 31  |             | SM8050842TP |             | SETSCREW                     |         |        |      |       |      | 1   |          |
| 32  |             | 16560203    |             | CAMSHAFTCOLLAR2              |         |        |      |       |      | 1   |          |
| 33  |             | SM6062002TP |             | SCREW M6 L=20                |         |        |      |       |      | 4   |          |
| 34  |             | WS0610002KN |             | SPRING WASHER 6.1X12.2X1.5   |         |        |      |       |      | 4   |          |
| 35  |             | WP0641600SC |             | WASHEW6.4X12.5X1.6           |         |        |      |       |      | 4   |          |



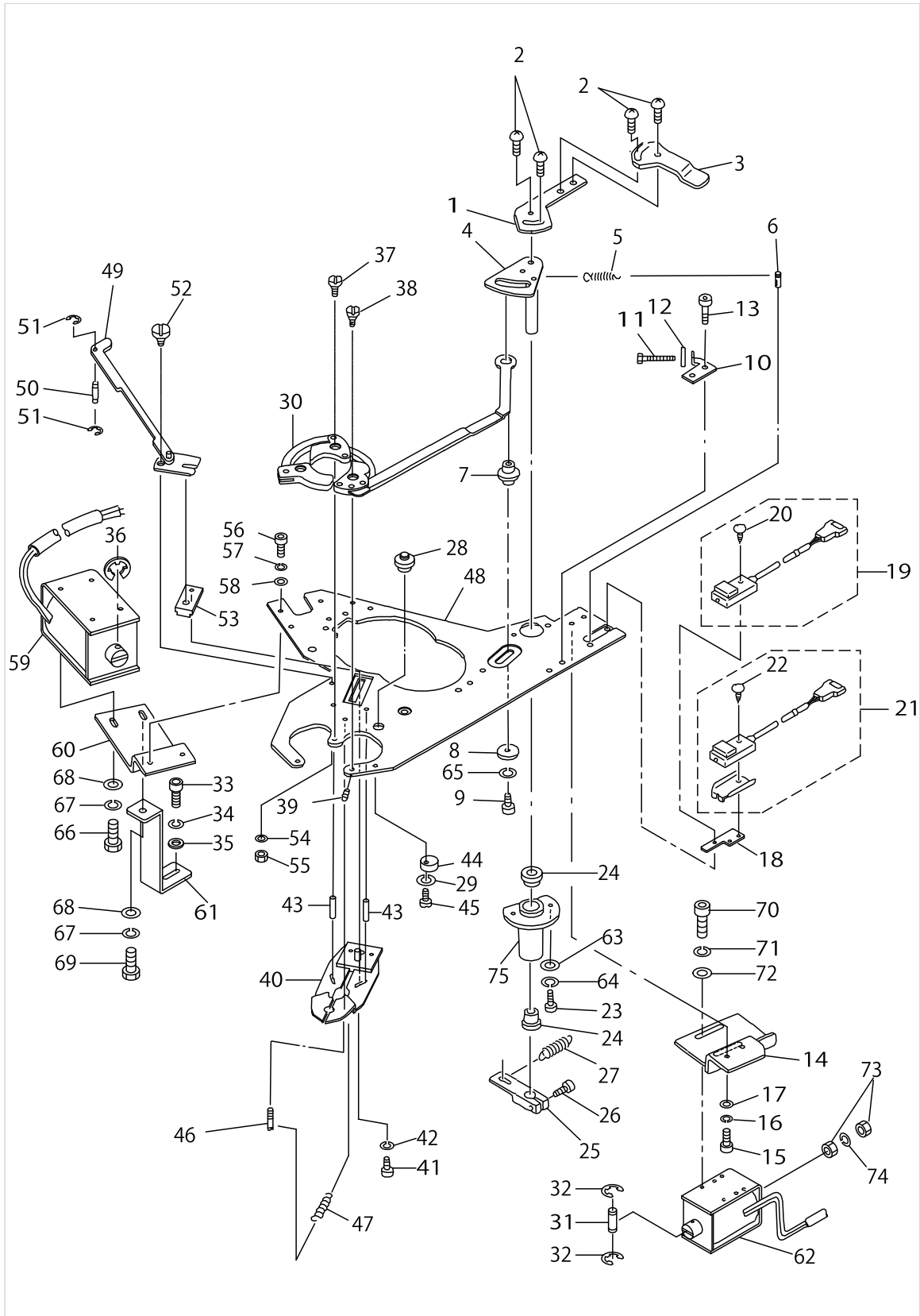
INDEX COMPONENTS (1)



INDEX COMPONENTS (1)

| No. | Supply Code | Parts No.   | Replacement | Parts name                 | Remarks | Choice | Step | Level | Cons | Qty | Rep. QTY |
|-----|-------------|-------------|-------------|----------------------------|---------|--------|------|-------|------|-----|----------|
| 1   |             | 16566507    |             | CHECK DOG                  |         |        |      |       |      | 1   |          |
| 2   |             | SM0040601SC |             | SCREW M4X0.7 L=6           |         |        |      |       |      | 4   |          |
| 3   |             | 16574105    |             | DOG                        |         |        |      |       |      | 1   |          |
| 4   |             | 16566002    |             | SPINNER CAM                |         |        |      |       |      | 1   |          |
| 5   |             | 16553208    |             | SPRING                     |         |        |      |       |      | 1   |          |
| 6   |             | 18218909    |             | DW PIN 4*12                |         |        |      |       |      | 1   |          |
| 7   |             | 16565707    |             | SHAFT (1)                  |         |        |      |       |      | 1   |          |
| 8   |             | B2107816000 |             | WASHER                     |         |        |      |       |      | 1   |          |
| 9   |             | SM6041002TP |             | SCREW M4 L=10              |         |        |      |       |      | 1   |          |
| 10  | D           | 16566606    |             | STOPPER BKT                |         |        |      |       |      | 1   |          |
| 11  |             | SM8042502TP |             | SCREW M4X0.7 L=25          |         |        |      |       |      | 1   |          |
| 12  |             | NM6040001SC |             | NUT M4                     |         |        |      |       |      | 1   |          |
| 13  |             | SM6040802TR |             | SCREW M4X0.7 L=8           |         |        |      |       |      | 2   |          |
| 14  | D           | 16567000    |             | BRACKET (1)                |         |        |      |       |      | 1   |          |
| 15  |             | SM6041002TP |             | SCREW M4 L=10              |         |        |      |       |      | 2   |          |
| 16  |             | WS0410002KN |             | SPRING WASHER              |         |        |      |       |      | 2   |          |
| 17  |             | WP0430800SC |             | WASHER M4                  |         |        |      |       |      | 2   |          |
| 18  |             | 16574006    |             | BRACKET                    |         |        |      |       |      | 1   |          |
| 19  |             | GBR108440A0 |             | BUTTON SENSOR SWITCH ASM.  |         |        |      |       |      | 1   |          |
| 20  | D           | SM0861201SA |             | SCREW                      |         |        |      | *     |      | 2   |          |
| 21  |             | GBR108430A0 |             | RUB COMPLETION SWITCH ASM. |         |        |      |       |      | 1   |          |
| 22  | D           | SM0861201SA |             | SCREW                      |         |        |      | *     |      | 1   |          |
| 23  |             | SM6041002TP |             | SCREW M4 L=10              |         |        |      |       |      | 2   |          |
| 24  |             | 16572406    |             | METAL                      |         |        |      |       |      | 2   |          |
| 25  |             | 16566408    |             | LINK LEVER                 |         |        |      |       |      | 1   |          |
| 26  |             | SM6041202TP |             | SCREW M4X0.7 L=12          |         |        |      |       |      | 1   |          |
| 27  |             | 18201608    |             | SPRING, 2                  |         |        |      |       |      | 1   |          |
| 28  |             | 18218008    |             | SHAFT (2)                  |         |        |      |       |      | 1   |          |
| 29  |             | WP0430800SC |             | WASHER M4                  |         |        |      |       |      | 1   |          |
| 30  |             | 18202150    |             | CHECK ASM., A              |         |        |      |       |      | 1   |          |
| 31  |             | 16557209    |             | PIN                        |         |        |      |       |      | 1   |          |
| 32  |             | RE0200000K0 |             | E-RING                     |         |        |      |       |      | 2   |          |
| 33  |             | SM6061602TP |             | SCREW M6 L=16              |         |        |      |       |      | 1   |          |
| 34  |             | WS0610002KN |             | SPRING WASHER 6.1X12.2X1.5 |         |        |      |       |      | 1   |          |
| 35  |             | WP0641600SC |             | WASHEW6.4X12.5X1.6         |         |        |      |       |      | 1   |          |
| 36  |             | RE1200000K0 |             | E-RING 12                  |         |        |      |       |      | 1   |          |
| 37  |             | 16565400    |             | HING PIN (2)               |         |        |      |       |      | 2   |          |
| 38  |             | 16565509    |             | HING PIN (1)               |         |        |      |       |      | 1   |          |
| 39  |             | SM8030402TP |             | SCREW M3X0.5 L=4           |         |        |      |       |      | 1   |          |
| 40  |             | 16567166    |             | SHUTTER PLATE ASM.         |         |        |      |       |      | 1   |          |
| 41  |             | SM6041202TP |             | SCREW M4X0.7 L=12          |         |        |      |       |      | 1   |          |
| 42  |             | WS0410002KN |             | SPRING WASHER              |         |        |      |       |      | 1   |          |
| 43  |             | 18204107    |             | PIN                        |         |        |      |       |      | 2   |          |
| 44  |             | 18209502    |             | ECCENTRIC STOPPER          |         |        |      |       |      | 1   |          |
| 45  |             | SM6041202TP |             | SCREW M4X0.7 L=12          |         |        |      |       |      | 1   |          |
| 46  |             | 18219204    |             | DW PIN 4*18                |         |        |      |       |      | 1   |          |

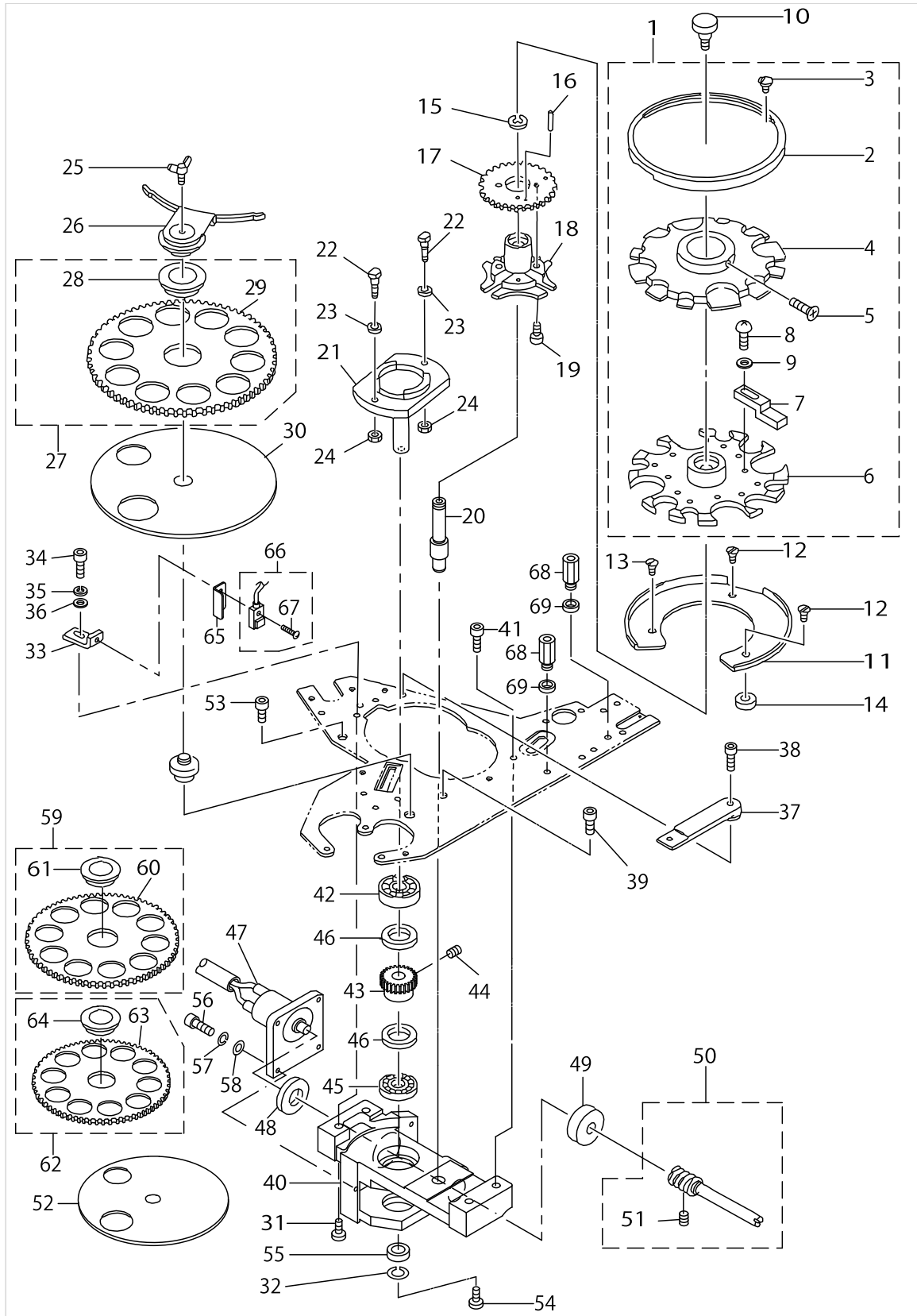
INDEX COMPONENTS (1)



INDEX COMPONENTS (1)

| No. | Supply Code | Parts No.   | Replacement | Parts name        | Remarks | Choice | Step | Level | Cons | Qty | Rep. QTY |
|-----|-------------|-------------|-------------|-------------------|---------|--------|------|-------|------|-----|----------|
| 47  |             | 16554008    |             | SPRING            |         |        |      |       |      | 1   |          |
| 48  |             | 18217505    |             | TOP PLATE         |         |        |      |       |      | 1   |          |
| 49  |             | 16567802    |             | LINK PLATE        |         |        |      |       |      | 1   |          |
| 50  |             | 16572505    |             | PIN               |         |        |      |       |      | 1   |          |
| 51  |             | RE0250000K0 |             | E-RING 2.5        |         |        |      |       |      | 2   |          |
| 52  |             | 16567901    |             | HING SCREW        |         |        |      |       |      | 1   |          |
| 53  |             | 16573305    |             | SLIDER BLOCK      |         |        |      |       |      | 1   |          |
| 54  |             | WS0410002KN |             | SPRING WASHER     |         |        |      |       |      | 1   |          |
| 55  |             | NM6040001SC |             | NUT M4            |         |        |      |       |      | 2   |          |
| 56  |             | SM6041002TP |             | SCREW M4 L=10     |         |        |      |       |      | 2   |          |
| 57  |             | WS0410002KN |             | SPRING WASHER     |         |        |      |       |      | 2   |          |
| 58  |             | WP0430800SC |             | WASHER M4         |         |        |      |       |      | 2   |          |
| 59  |             | GBR10853000 |             | MAGNET            |         |        |      |       |      | 1   |          |
| 60  |             | 16568206    |             | BRACKET (2)       |         |        |      |       |      | 1   |          |
| 61  |             | 18209403    |             | SUPPORT PLATE     |         |        |      |       |      | 1   |          |
| 62  |             | GBR10854000 |             | MAGNET            |         |        |      |       |      | 1   |          |
| 63  |             | WP0430800SC |             | WASHER M4         |         |        |      |       |      | 2   |          |
| 64  |             | WS0410002KN |             | SPRING WASHER     |         |        |      |       |      | 2   |          |
| 65  |             | WS0410002KN |             | SPRING WASHER     |         |        |      |       |      | 1   |          |
| 66  |             | SM6040802TP |             | SCREW M4X0.7 L=8  |         |        |      |       |      | 3   |          |
| 67  |             | WS0410002KN |             | SPRING WASHER     |         |        |      |       |      | 4   |          |
| 68  |             | WP0430800SC |             | WASHER M4         |         |        |      |       |      | 4   |          |
| 69  |             | SM6041202TP |             | SCREW M4X0.7 L=12 |         |        |      |       |      | 1   |          |
| 70  |             | SM6040802TP |             | SCREW M4X0.7 L=8  |         |        |      |       |      | 2   |          |
| 71  |             | WS0410002KN |             | SPRING WASHER     |         |        |      |       |      | 2   |          |
| 72  |             | WP0430800SC |             | WASHER M4         |         |        |      |       |      | 2   |          |
| 73  |             | NM6040001SC |             | NUT M4            |         |        |      |       |      | 2   |          |
| 74  |             | WS0410002KN |             | SPRING WASHER     |         |        |      |       |      | 1   |          |
| 75  |             | 16565905    |             | CUPLING           |         |        |      |       |      | 1   |          |

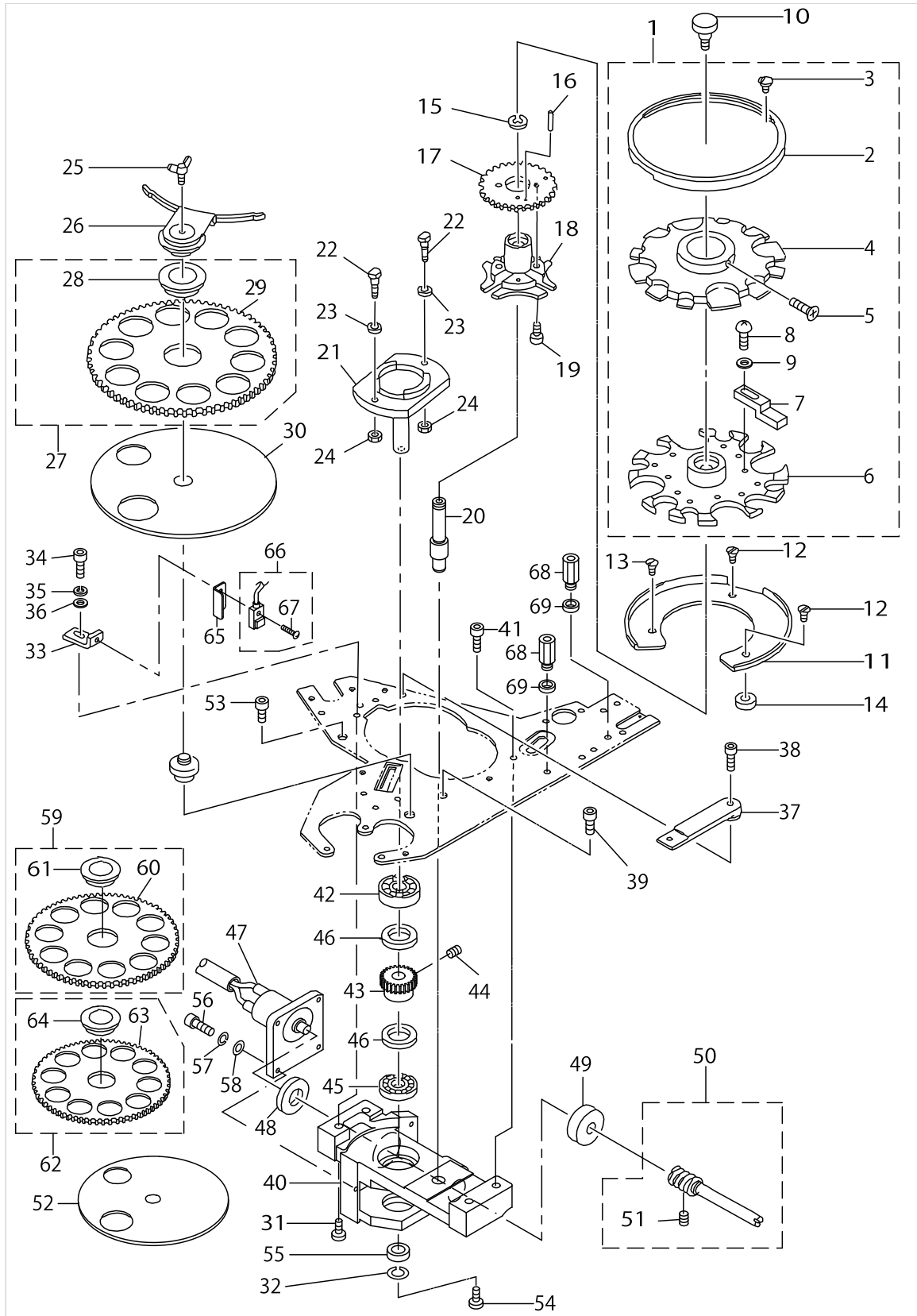
INDEX COMPONENTS (2)



INDEX COMPONENTS (2)

| No. | Supply Code | Parts No.   | Replacement | Parts name                | Remarks | Choice | Step | Level | Cons | Qty | Rep. QTY |
|-----|-------------|-------------|-------------|---------------------------|---------|--------|------|-------|------|-----|----------|
| 1   | R           | 18201962    | 40163503    | FEED ACROSS PLATE ASM. A  |         |        |      |       |      | 1   | 1.00     |
| 2   |             | 16573701    |             | RING                      |         |        |      | *     |      | 1   |          |
| 3   |             | SM0040601SC |             | SCREW M4X0.7 L=6          |         |        |      | *     |      | 2   |          |
| 4   | R           | 18203307    | 40163420    | ADJUSTING PLATE           |         |        |      | *     |      | 1   | 1.00     |
| 5   |             | SL4030881SC |             | SCREW M3 L=8              |         |        |      | *     |      | 1   |          |
| 6   | R           | 18201905    | 40163419    | FEED PLATE A              |         |        |      | *     |      | 1   | 1.00     |
| 7   |             | 18202002    |             | BUTTON ADJUST A           |         |        |      | *     |      | 8   |          |
| 8   |             | SM4860501SC |             | SCREW M 2.6 X 5           |         |        |      | *     |      | 8   |          |
| 9   |             | WP0280500SC |             | WASHER                    |         |        |      | *     |      | 8   |          |
| 10  | D           | 16573800    |             | SCREW                     |         |        |      |       |      | 1   |          |
| 11  |             | 16569204    |             | REST                      |         |        |      |       |      | 1   |          |
| 12  |             | SM1041201SC |             | SCREW M4 L=12             |         |        |      |       |      | 2   |          |
| 13  |             | SM1040601SC |             | SCREW M4X0.7 L=6          |         |        |      |       |      | 1   |          |
| 14  |             | 16573008    |             | COLLAR                    |         |        |      |       |      | 2   |          |
| 15  |             | 16571903    |             | CLIP                      |         |        |      |       |      | 1   |          |
| 16  |             | PH0300185S0 |             | PIN                       |         |        |      |       |      | 1   |          |
| 17  |             | 16569600    |             | GEAR                      |         |        |      |       |      | 1   |          |
| 18  |             | 16569501    |             | GENEVA                    |         |        |      |       |      | 1   |          |
| 19  |             | SM6030802TP |             | SCREW M3X0.5 L=8          |         |        |      |       |      | 2   |          |
| 20  |             | 18219501    |             | DIVIDING MAIN SHAFT       |         |        |      |       |      | 1   |          |
| 21  |             | 16570103    |             | WHEEL                     |         |        |      |       |      | 1   |          |
| 22  |             | 16570202    |             | SCREW                     |         |        |      |       |      | 2   |          |
| 23  |             | 16570301    |             | COLLAR                    |         |        |      |       |      | 2   |          |
| 24  |             | NM6040001SC |             | NUT M4                    |         |        |      |       |      | 2   |          |
| 25  |             | 18204503    |             | WING BOLT                 |         |        |      |       |      | 1   |          |
| 26  |             | 16568909    |             | COVER CAP                 |         |        |      |       |      | 1   |          |
| 27  |             | 18200352    |             | FEED PLATE CIRCLE 16 ASM. |         |        |      |       |      | 1   |          |
| 28  |             | 16572703    |             | METAL                     |         |        |      | *     |      | 1   |          |
| 29  |             | 18200303    |             | FEED PLATE 16             |         |        |      | *     |      | 1   |          |
| 30  |             | 16568404    |             | FERRULE DISC              |         |        |      |       |      | 1   |          |
| 31  |             | SM6052002TP |             | SCREW M5 L=20             |         |        |      |       |      | 1   |          |
| 32  |             | WS0410002KN |             | SPRING WASHER             |         |        |      |       |      | 1   |          |
| 33  |             | 16570707    |             | SENSOR BRACKET            |         |        |      |       |      | 1   |          |
| 34  |             | SM6040802TR |             | SCREW M4X0.7 L=8          |         |        |      |       |      | 1   |          |
| 35  |             | WS0410002KN |             | SPRING WASHER             |         |        |      |       |      | 1   |          |
| 36  |             | WP0430800SC |             | WASHER M4                 |         |        |      |       |      | 1   |          |
| 37  |             | 16570905    |             | STAND PLATE (1)           |         |        |      |       |      | 1   |          |
| 38  |             | SM6041202TP |             | SCREW M4X0.7 L=12         |         |        |      |       |      | 1   |          |
| 39  |             | SM6051202TP |             | SCREW M5X0.8 L=12         |         |        |      |       |      | 1   |          |
| 40  |             | 18219600    |             | GENEVA HOUSE              |         |        |      |       |      | 1   |          |
| 41  |             | SM6051602TP |             | SCREW M5X0.8 L=16         |         |        |      |       |      | 3   |          |
| 42  |             | SB110000400 |             | BALL BEARING              |         |        |      |       |      | 1   |          |
| 43  | R           | 16571507    | 16562001    | WORM WHEEL                |         |        |      |       |      | 1   | 1.00     |
| 44  |             | SM8050842TP |             | SETSCREW                  |         |        |      |       |      | 1   |          |
| 45  |             | 16571804    |             | BEARING A                 |         |        |      |       |      | 1   |          |
| 46  |             | 16573909    |             | THRUST COLLAR             |         |        |      |       |      | 2   |          |

INDEX COMPONENTS (2)

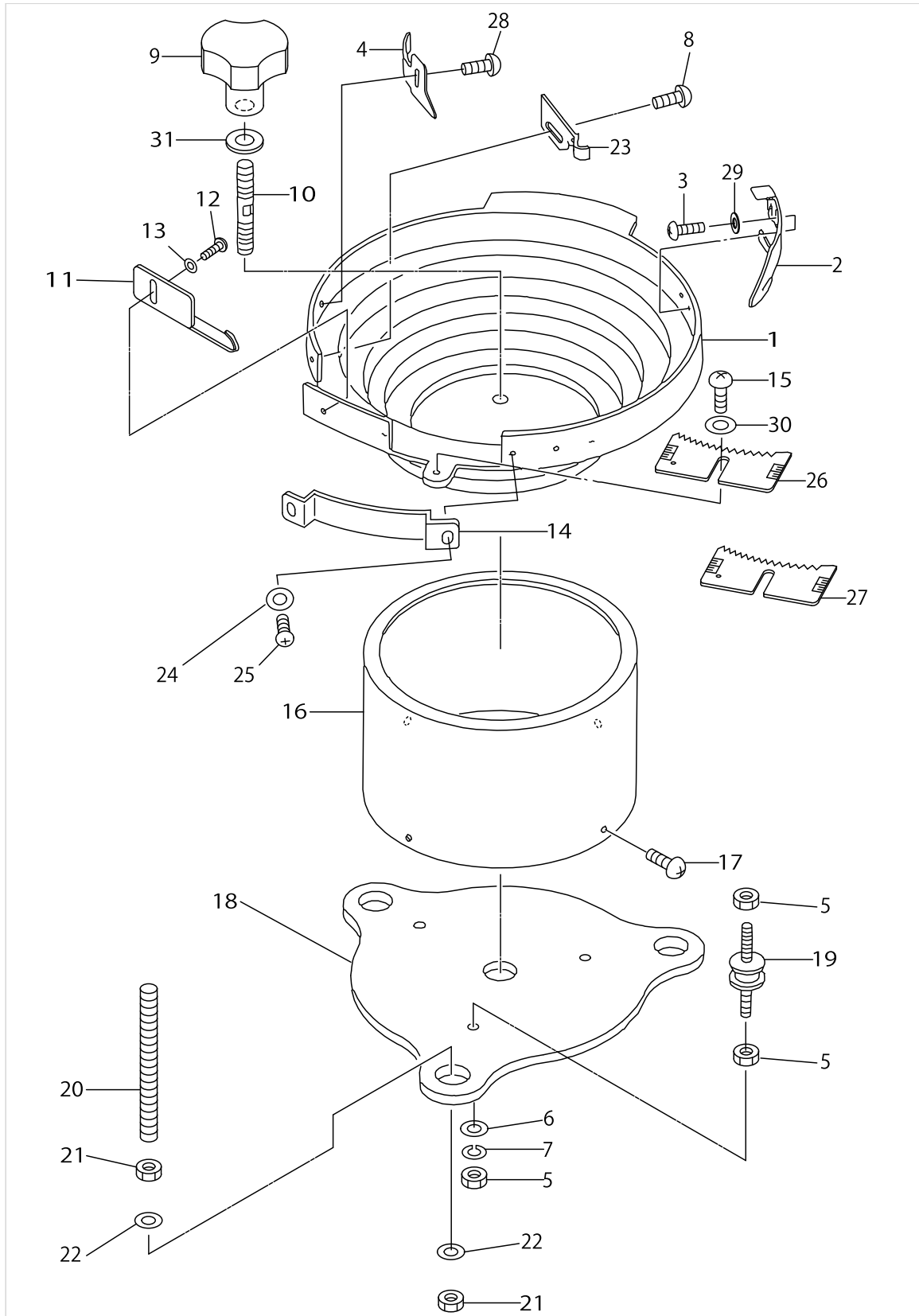


INDEX COMPONENTS (2)

| No. | Supply Code | Parts No.   | Replacement | Parts name                  | Remarks        | Choice | Step | Level | Cons | Qty | Rep. QTY |
|-----|-------------|-------------|-------------|-----------------------------|----------------|--------|------|-------|------|-----|----------|
| 47  |             | GBR108560A0 |             | DC MOTOR ASM.               |                |        |      |       |      | 1   |          |
| 48  |             | 16570509    |             | THRUST COLLAR               |                |        |      |       |      | 1   |          |
| 49  |             | 16571408    |             | NEEDLE BEARING              |                |        |      |       |      | 1   |          |
| 50  | R           | 16570657    | SM8040402TP | TURNINGSHAFTASM.            |                | A      |      |       |      | 1   | 1.00     |
| 50  | R           | 16570657    | 16570608    | TURNINGSHAFTASM.            |                | A      |      |       |      | 1   | 1.00     |
| 51  |             | SM8040402TP |             | SCREW M4X0.7 L=4            |                |        |      | *     |      | 2   |          |
| 52  |             | 18201103    |             | HOLDING PLATE (SMALL)       | OPTIONAL PARTS |        |      |       |      | 1   |          |
| 53  |             | SM6051202TP |             | SCREW M5X0.8 L=12           |                |        |      |       |      | 1   |          |
| 54  |             | SM6041002TP |             | SCREW M4 L=10               |                |        |      |       |      | 1   |          |
| 55  |             | B2107816000 |             | WASHER                      |                |        |      |       |      | 1   |          |
| 56  |             | SM6030802TP |             | SCREW M3X0.5 L=8            |                |        |      |       |      | 4   |          |
| 57  |             | WS0310002KN |             | SPRING WASHER M3            |                |        |      |       |      | 4   |          |
| 58  |             | WP0320500SC |             | WASHER M3                   |                |        |      |       |      | 4   |          |
| 59  |             | 16568651    |             | FEEDPLATE22BASM.            | OPTIONAL PARTS |        |      |       |      | 1   |          |
| 60  |             | 16568602    |             | FEED PLATE 22B              |                |        |      | *     |      | 1   |          |
| 61  |             | 16572703    |             | METAL                       |                |        |      | *     |      | 1   |          |
| 62  |             | 18200956    |             | FEED PLATE CIRCLE 13.5 ASM. | OPTIONAL PARTS |        |      |       |      | 1   |          |
| 63  |             | 18200907    |             | FEED PLATE 12.5             |                |        |      | *     |      | 1   |          |
| 64  |             | 16572703    |             | METAL                       |                |        |      | *     |      | 1   |          |
| 65  |             | 18212902    |             | SENSOR COVER                |                |        |      |       |      | 1   |          |
| 66  | D           | SM0861201SA |             | SCREW                       |                |        |      |       |      | 1   |          |
| 67  |             | GBR108450A0 |             | INDEX STARTING SWITCH ASM.  |                |        |      | *     |      | 1   |          |
| 68  |             | HX003390000 |             | STUD                        |                |        |      |       |      | 2   |          |
| 69  |             | B3052816000 |             | WASHER                      |                |        |      |       |      | 2   |          |



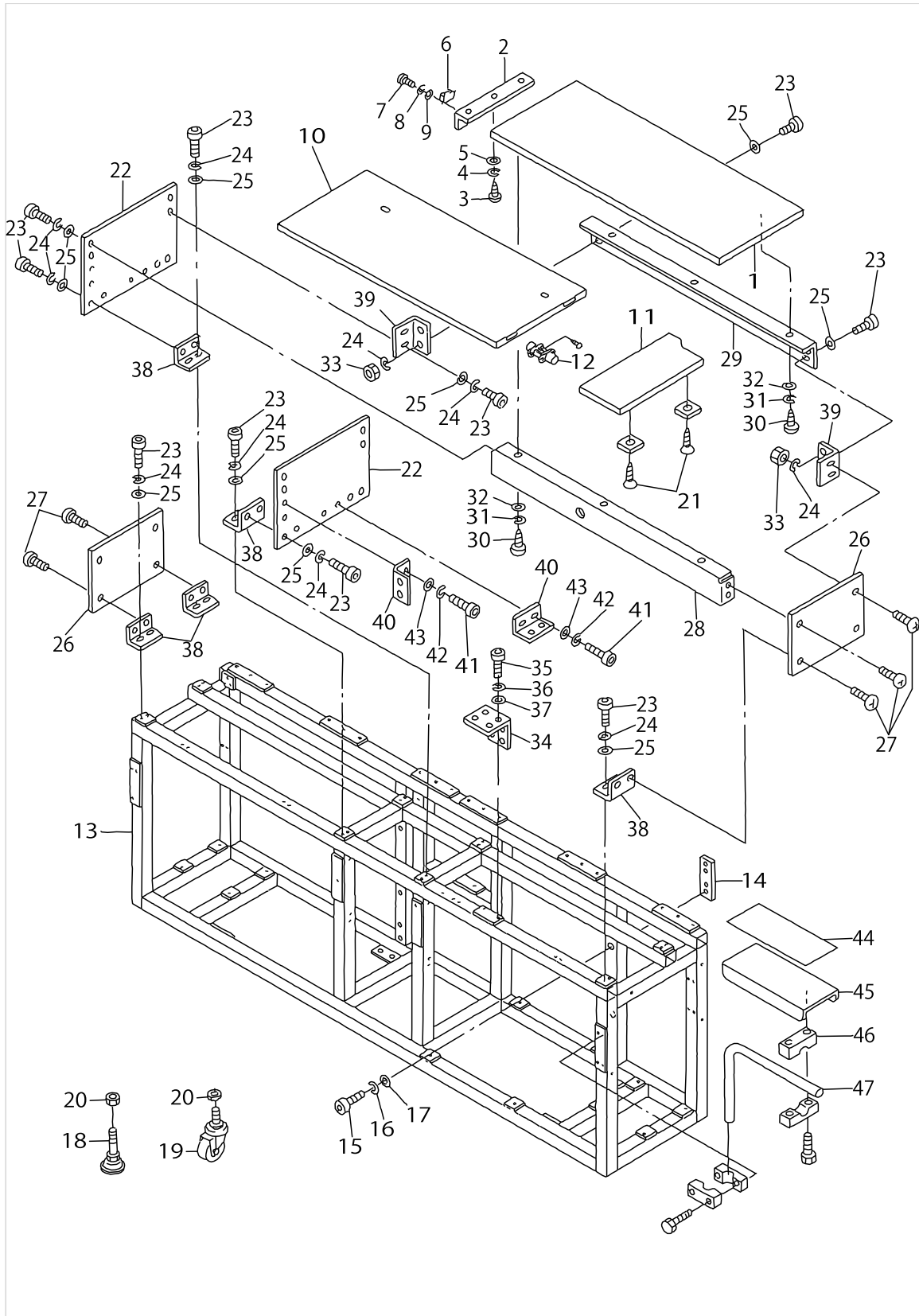
FEEDER BOWL COMPONENTS



FEEDER BOWL COMPONENTS

| No. | Supply Code | Parts No.    | Replacement | Parts name                     | Remarks        | Choice | Step | Level | Cons | Qty | Rep. QTY |
|-----|-------------|--------------|-------------|--------------------------------|----------------|--------|------|-------|------|-----|----------|
| 1   |             | 16577009     |             | FEEDER BOWL                    |                |        |      |       |      | 1   |          |
| 2   |             | GBR01426000  |             | GUIDE PLATE                    |                |        |      |       |      | 1   |          |
| 3   |             | SS4110815SP  |             | SCREW 11/64-40 L=8             |                |        |      |       |      | 2   |          |
| 4   |             | GBR01441000  |             | BUTTON STANDING PREVENT PLATE  |                |        |      |       |      | 1   |          |
| 5   |             | NM6060001SC  |             | NUT M6                         |                |        |      |       |      | 9   |          |
| 6   |             | WP0641600SC  |             | WASHEW6.4X12.5X1.6             |                |        |      |       |      | 3   |          |
| 7   |             | WS0610002KN  |             | SPRING WASHER 6.1X12.2X1.5     |                |        |      |       |      | 3   |          |
| 8   | R           | SM0040801SF  | SM0040801SC | SCREW M4X0.7 L=8               |                |        |      |       |      | 1   | 1.00     |
| 9   | D           | GBR01431000  |             | BOWL FIXING KNOB               |                |        |      |       |      | 1   |          |
| 10  |             | GBR01432000  |             | BOWL FIXING SCREW              |                |        |      |       |      | 1   |          |
| 11  |             | 16577504     |             | SELECTOR PLATE                 |                |        |      |       |      | 1   |          |
| 12  |             | SM4040801SN  |             | SCREW M4 L=8                   |                |        |      |       |      | 1   |          |
| 13  |             | WP0430800SC  |             | WASHER M4                      |                |        |      |       |      | 1   |          |
| 14  |             | GBR01428000  |             | GUIDE PLATE                    |                |        |      |       |      | 1   |          |
| 15  |             | SM4051001SN  |             | SCREW M5                       |                |        |      |       |      | 1   |          |
| 16  |             | 16577207     |             | P/F COVER                      |                |        |      |       |      | 1   |          |
| 17  |             | SM0040601SC  |             | SCREW M4X0.7 L=6               |                |        |      |       |      | 4   |          |
| 18  |             | 16577108     |             | P/F INSTALLING BASE            |                |        |      |       |      | 1   |          |
| 19  |             | GBR01429000A |             | VIBRATION-PROOF RUBBER         |                |        |      |       |      | 3   |          |
| 20  |             | 16577306     |             | MOUNTING BOLT                  |                |        |      |       |      | 3   |          |
| 21  |             | NM6080001SC  |             | NUT M8X1.25                    |                |        |      |       |      | 6   |          |
| 22  |             | 16577405     |             | WASHER                         |                |        |      |       |      | 6   |          |
| 23  |             | 18202408     |             | BUTTON GUIDE A                 |                |        |      |       |      | 1   |          |
| 24  |             | WP0320500SC  |             | WASHER M3                      |                |        |      |       |      | 2   |          |
| 25  |             | SM4030601SN  |             | SCREW M3 X 6                   |                |        |      |       |      | 2   |          |
| 26  |             | GBR014220A0  |             | SELECTION PLATE ASM. (SMALL)   | OPTIONAL PARTS |        |      |       |      | 1   |          |
| 27  | D           | 18251553     |             | SELECTION PLATE ASM. (VERY SMA |                |        |      |       |      | 1   |          |
| 28  |             | SM4040801SN  |             | SCREW M4 L=8                   |                |        |      |       |      | 1   |          |
| 29  |             | WP0450801SD  |             | WASHER 4.5X10X0.8              |                |        |      |       |      | 2   |          |
| 30  |             | WP0531000SC  |             | WASHER 5.3X10X1                |                |        |      |       |      | 1   |          |
| 31  |             | WP0841601SC  |             | WASHER 8.4X17.4X1.6            |                |        |      |       |      | 1   |          |

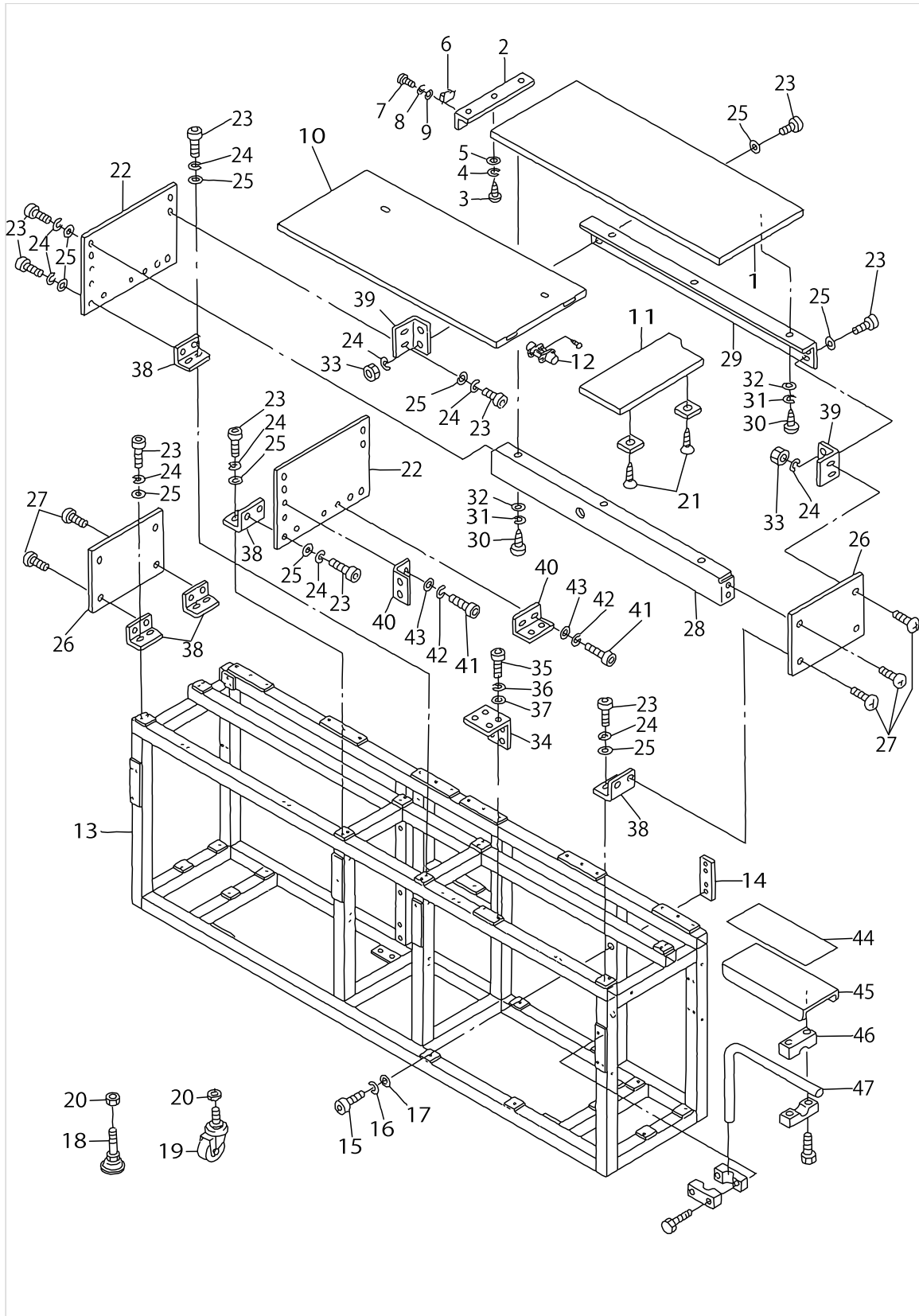
# FRAME COMPONENTS



FRAME COMPONENTS

| No. | Supply Code | Parts No.   | Replacement | Parts name                 | Remarks | Choice | Step | Level | Cons | Qty | Rep. QTY |
|-----|-------------|-------------|-------------|----------------------------|---------|--------|------|-------|------|-----|----------|
| 1   |             | G5016164000 |             | TABLE, RIGHT               |         |        |      |       |      | 1   |          |
| 2   |             | G5018164000 |             | BRACKET                    |         |        |      |       |      | 1   |          |
| 3   |             | SK3381601SC |             | WOOD SCREW D=3.8 L=16      |         |        |      |       |      | 3   |          |
| 4   |             | WS0410002KN |             | SPRING WASHER              |         |        |      |       |      | 3   |          |
| 5   |             | WP0430801SC |             | WASHER 4.3X9X0.8           |         |        |      |       |      | 3   |          |
| 6   |             | G5045164000 |             | MAGNET CATCH               |         |        |      |       |      | 2   |          |
| 7   |             | SM6030602TP |             | SCREW M3X0.5 L=6           |         |        |      |       |      | 4   |          |
| 8   |             | WS0310002KN |             | SPRING WASHER M3           |         |        |      |       |      | 4   |          |
| 9   |             | WP0320501SC |             | WASHER M3                  |         |        |      |       |      | 4   |          |
| 10  |             | G5015164000 |             | TABLE, LEFT                |         |        |      |       |      | 1   |          |
| 11  |             | G5017164A00 |             | MOVABLE TABLE              |         |        |      |       |      | 1   |          |
| 12  |             | G5020164000 |             | HINGE                      |         |        |      |       |      | 2   |          |
| 13  |             | G5001164000 |             | BASE FRAME                 |         |        |      |       |      | 1   |          |
| 14  |             | G5041164000 |             | CONNECTING PLATE           |         |        |      |       |      | 4   |          |
| 15  |             | SM6082002TN |             | SCREW M8 L=20              |         |        |      |       |      | 16  |          |
| 16  |             | WS0820002KN |             | SPRING WASHER M8           |         |        |      |       |      | 16  |          |
| 17  |             | WP0841601SC |             | WASHER 8.4X17.4X1.6        |         |        |      |       |      | 16  |          |
| 18  |             | G5033172000 |             | ADJUSTER                   |         |        |      |       |      | 4   |          |
| 19  |             | G5032164000 |             | CASTER                     |         |        |      |       |      | 6   |          |
| 20  |             | NM6160001SC |             | NUT                        |         |        |      |       |      | 10  |          |
| 21  |             | SK1271301SD |             | WOOD SCREW D=2.7 L=13      |         |        |      |       |      | 2   |          |
| 22  |             | G5002164000 |             | TABLE SUPPORT PLATE INNER  |         |        |      |       |      | 2   |          |
| 23  |             | SM6061202TP |             | SCREW M6 L=12              |         |        |      |       |      | 36  |          |
| 24  |             | WS0610002KN |             | SPRING WASHER 6.1X12.2X1.5 |         |        |      |       |      | 36  |          |
| 25  |             | WP0641601SC |             | WASHER                     |         |        |      |       |      | 36  |          |
| 26  |             | G5003164000 |             | TABLE SUPPORT PLATE OUTER  |         |        |      |       |      | 2   |          |
| 27  |             | SM0060801SA |             | SCREW                      |         |        |      |       |      | 8   |          |
| 28  |             | G5004164000 |             | TABLE SUPPORT, FRONT       |         |        |      |       |      | 2   |          |
| 29  |             | G5005164000 |             | TABLE SUPPORT, REAR        |         |        |      |       |      | 2   |          |
| 30  |             | SK3381601SC |             | WOOD SCREW D=3.8 L=16      |         |        |      |       |      | 12  |          |
| 31  |             | WS0410002KN |             | SPRING WASHER              |         |        |      |       |      | 12  |          |
| 32  |             | WP0430801SC |             | WASHER 4.3X9X0.8           |         |        |      |       |      | 12  |          |
| 33  |             | NM6060001SC |             | NUT M6                     |         |        |      |       |      | 4   |          |
| 34  |             | G5028164000 |             | INSTALLING PLATE           |         |        |      |       |      | 1   |          |
| 35  |             | SM6061202TP |             | SCREW M6 L=12              |         |        |      |       |      | 2   |          |
| 36  |             | WS0610002KN |             | SPRING WASHER 6.1X12.2X1.5 |         |        |      |       |      | 2   |          |
| 37  |             | WP0641601SC |             | WASHER                     |         |        |      |       |      | 2   |          |
| 38  | D           | G5038171000 |             | SIDE PLATE SUPPORT         |         |        |      |       |      | 8   |          |
| 39  |             | G5045171000 |             | SIDE PLATE HOLDER          |         |        |      |       |      | 4   |          |
| 40  |             | G5034171000 |             | COVER SUPPORT              |         |        |      |       |      | 14  |          |
| 41  |             | SM6040802TP |             | SCREW M4X0.7 L=8           |         |        |      |       |      | 28  |          |
| 42  |             | WS0410002KN |             | SPRING WASHER              |         |        |      |       |      | 28  |          |
| 43  |             | WP0430801SC |             | WASHER 4.3X9X0.8           |         |        |      |       |      | 28  |          |
| 44  |             | G5022164000 |             | CUSHION                    |         |        |      |       |      | 1   |          |
| 45  |             | G5021164000 |             | CLOTH TABLE                |         |        |      |       |      | 1   |          |
| 46  |             | B1141229000 |             | OPERATION BOX STRUT CLAMP  |         |        |      |       |      | 4   |          |

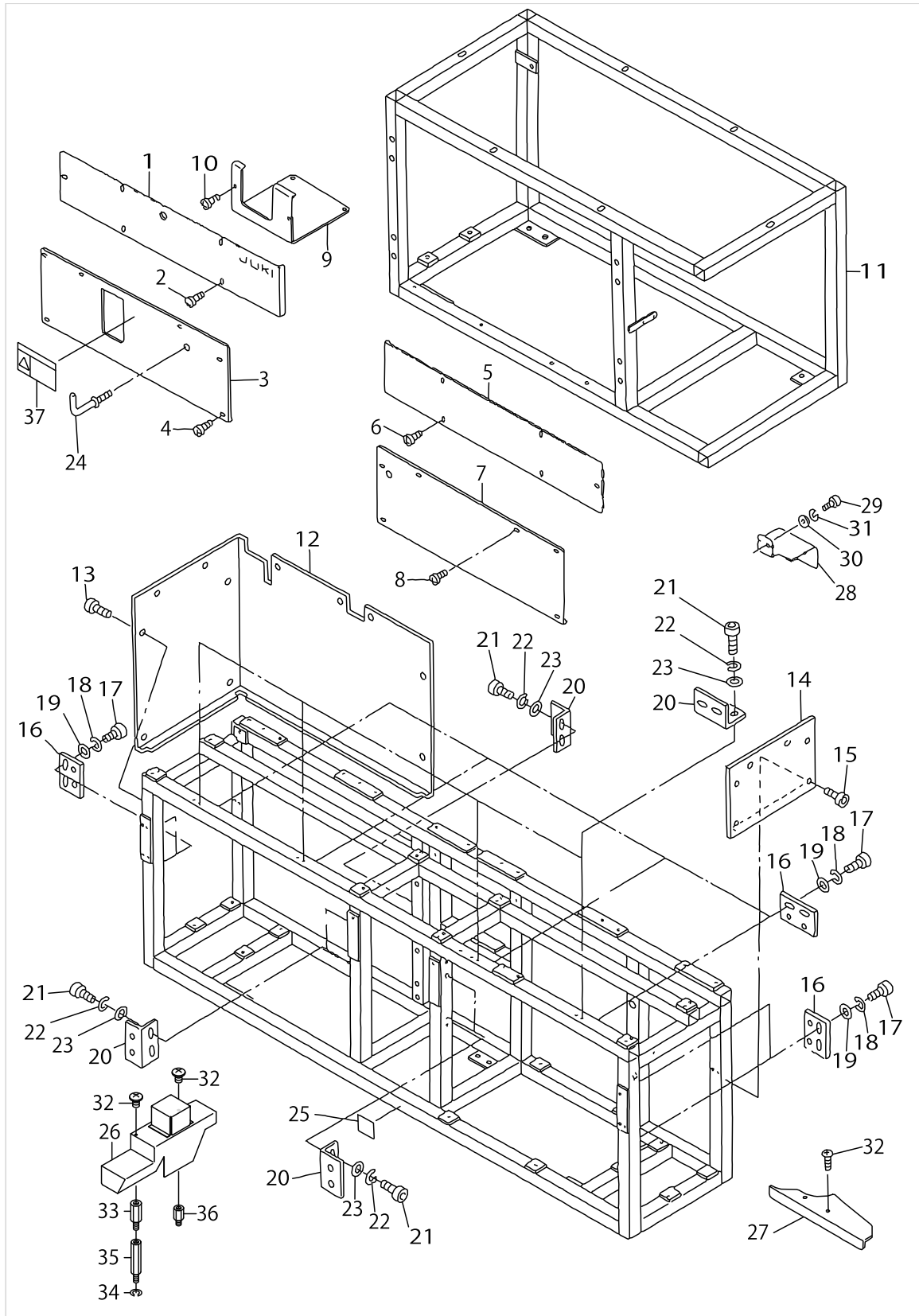
# FRAME COMPONENTS



FRAME COMPONENTS

| No. | Supply Code | Parts No.   | Replacement | Parts name | Remarks | Choice | Step | Level | Cons | Qty | Rep. QTY |
|-----|-------------|-------------|-------------|------------|---------|--------|------|-------|------|-----|----------|
| 47  |             | G5023164000 |             | STAY       |         |        |      |       |      | 1   |          |

COVER COMPONENTS

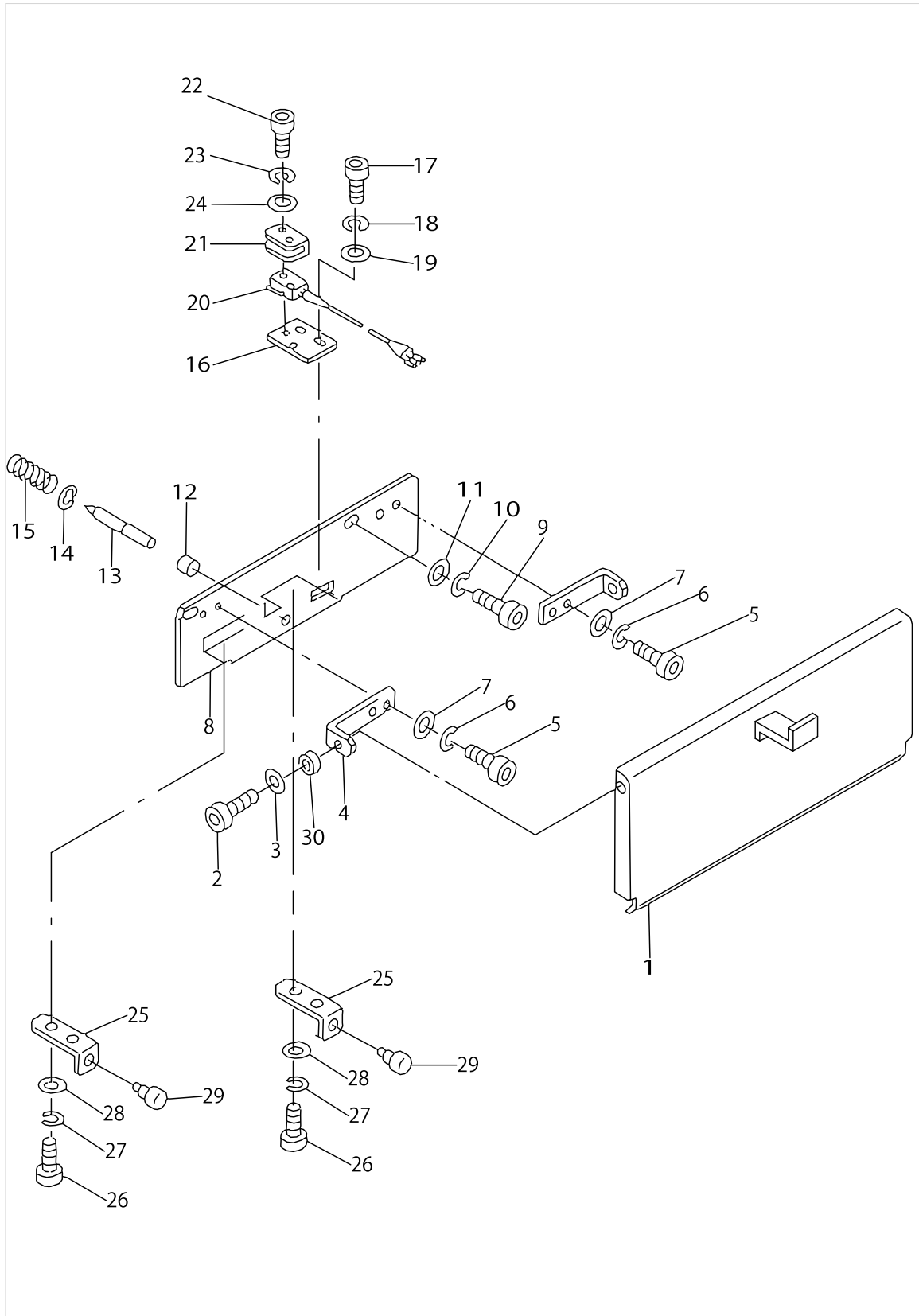


COVER COMPONENTS

| No. | Supply Code | Parts No.   | Replacement | Parts name             | Remarks   | Choice | Step | Level | Cons | Qty | Rep. QTY |
|-----|-------------|-------------|-------------|------------------------|-----------|--------|------|-------|------|-----|----------|
| 1   |             | G5034164000 |             | RIGHT UPPER COVER      |           |        |      |       |      | 1   |          |
| 2   |             | SM0040601SA |             | SCREW                  |           |        |      |       |      | 5   |          |
| 3   |             | G5036164000 |             | RIGHT LOWERCOVER       |           |        |      |       |      | 1   |          |
| 4   |             | SM0040601SA |             | SCREW                  |           |        |      |       |      | 6   |          |
| 5   |             | G5033164000 |             | LEFT UPPER COVER       |           |        |      |       |      | 1   |          |
| 6   |             | SM0040601SA |             | SCREW                  |           |        |      |       |      | 5   |          |
| 7   |             | G5035164000 |             | LEFT LOWER COVER       |           |        |      |       |      | 1   |          |
| 8   |             | SM0040601SA |             | SCREW                  |           |        |      |       |      | 6   |          |
| 9   |             | G5039164A00 |             | MIDDLE COVER           |           |        |      |       |      | 1   |          |
| 10  |             | SM0040601SA |             | SCREW                  |           |        |      |       |      | 2   |          |
| 11  |             | G5401164A00 |             | MACHINE BASE           |           |        |      |       |      | 1   |          |
| 12  |             | G5037164000 |             | LEFT SIDE COVER        |           |        |      |       |      | 1   |          |
| 13  |             | SM0040601SA |             | SCREW                  |           |        |      |       |      | 11  |          |
| 14  |             | G5038164000 |             | RIGHT SIDE COVER       |           |        |      |       |      | 1   |          |
| 15  |             | SM0040601SA |             | SCREW                  |           |        |      |       |      | 6   |          |
| 16  |             | G5040164000 |             | COVER SUPPORT, B       |           |        |      |       |      | 8   |          |
| 17  |             | SM6040802TP |             | SCREW M4X0.7 L=8       |           |        |      |       |      | 16  |          |
| 18  |             | WS0410002KN |             | SPRING WASHER          |           |        |      |       |      | 16  |          |
| 19  |             | WP0430801SC |             | WASHER 4.3X9X0.8       |           |        |      |       |      | 16  |          |
| 20  |             | G5034171000 |             | COVER SUPPORT          |           |        |      |       |      | 14  |          |
| 21  |             | SM6040802TP |             | SCREW M4X0.7 L=8       |           |        |      |       |      | 28  |          |
| 22  |             | WS0410002KN |             | SPRING WASHER          |           |        |      |       |      | 28  |          |
| 23  |             | WP0430801SC |             | WASHER 4.3X9X0.8       |           |        |      |       |      | 28  |          |
| 24  |             | G5026162000 |             | HOOK                   |           |        |      |       |      | 1   |          |
| 25  |             | 16870206    |             | GRAVITY SEAL           |           |        |      |       |      | 1   |          |
| 26  | D           | 18228007    |             | COVER                  |           |        |      |       |      | 1   |          |
| 27  |             | 18222604    |             | FRONT COVER A          |           |        |      |       |      | 1   |          |
| 28  |             | 16586307    |             | COVER,REAR             |           |        |      |       |      | 1   |          |
| 29  |             | SM6041002TP |             | SCREW M4 L=10          |           |        |      |       |      | 2   |          |
| 30  |             | WP0430800SC |             | WASHER M4              |           |        |      |       |      | 2   |          |
| 31  |             | WS0410002KN |             | SPRING WASHER          |           |        |      |       |      | 2   |          |
| 32  |             | SM0040601SA |             | SCREW                  |           |        |      |       |      | 2   |          |
| 33  | R           | 18228106    | E3724715000 | SPACER B               |           |        |      |       |      | 1   | 1.00     |
| 34  |             | WS0410002KN |             | SPRING WASHER          |           |        |      |       |      | 1   |          |
| 35  |             | HX00339000B |             | BOARD PARTS            |           |        |      |       |      | 1   |          |
| 36  |             | HX003390000 |             | STUD                   |           |        |      |       |      | 1   |          |
| 37  |             | CM300200202 |             | SAFETY LABEL 2 (LARGE) | FOR JAPAN |        |      |       |      | 1   |          |



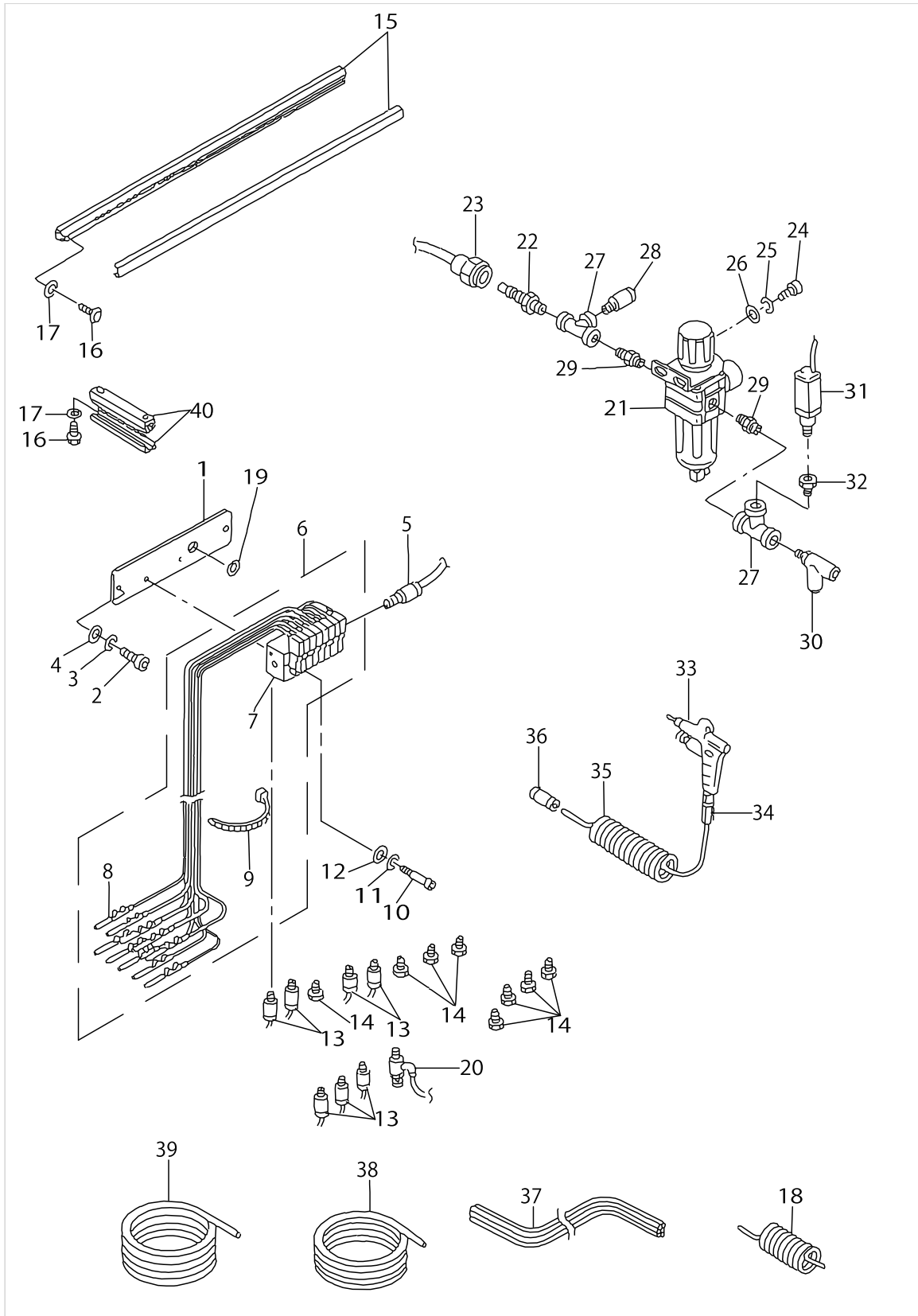
COVER & KNEE SWITCH COMPONENTS



COVER & KNEE SWITCH COMPONENTS

| No. | Supply Code | Parts No.   | Replacement | Parts name                     | Remarks | Choice | Step | Level | Cons | Qty | Rep. QTY |
|-----|-------------|-------------|-------------|--------------------------------|---------|--------|------|-------|------|-----|----------|
| 1   |             | G5025164000 |             | START SWITCH PLATE             |         |        |      |       |      | 1   |          |
| 2   |             | SM6061202TP |             | SCREW M6 L=12                  |         |        |      |       |      | 2   |          |
| 3   |             | WP0641601SC |             | WASHER                         |         |        |      |       |      | 2   |          |
| 4   |             | G5027164000 |             | START SWITCH SHAFT PLATE       |         |        |      |       |      | 2   |          |
| 5   |             | SM6040802TP |             | SCREW M4X0.7 L=8               |         |        |      |       |      | 4   |          |
| 6   |             | WS0410002KN |             | SPRING WASHER                  |         |        |      |       |      | 4   |          |
| 7   |             | WP0430801SC |             | WASHER 4.3X9X0.8               |         |        |      |       |      | 4   |          |
| 8   |             | G5024164000 |             | INSTALLING PLATE               |         |        |      |       |      | 1   |          |
| 9   |             | SM6061202TP |             | SCREW M6 L=12                  |         |        |      |       |      | 2   |          |
| 10  |             | WS0610002KN |             | SPRING WASHER 6.1X12.2X1.5     |         |        |      |       |      | 2   |          |
| 11  |             | WP0641601SC |             | WASHER                         |         |        |      |       |      | 2   |          |
| 12  |             | G5138161000 |             | RUBBER CAP                     |         |        |      |       |      | 1   |          |
| 13  | D           | G5026164000 |             | START SWITCH ROD               |         |        |      |       |      | 1   |          |
| 14  |             | RE0400000K0 |             | E-RING 4                       |         |        |      |       |      | 1   |          |
| 15  |             | G5019171000 |             | SPRING                         |         |        |      |       |      | 1   |          |
| 16  | D           | G5020171000 |             | SWITCH HOLDER                  |         |        |      |       |      | 1   |          |
| 17  |             | SM6040802TP |             | SCREW M4X0.7 L=8               |         |        |      |       |      | 2   |          |
| 18  |             | WS0410002KN |             | SPRING WASHER                  |         |        |      |       |      | 2   |          |
| 19  |             | WP0430801SC |             | WASHER 4.3X9X0.8               |         |        |      |       |      | 2   |          |
| 20  |             | G61041640A0 |             | START SW ASM.                  |         |        |      |       |      | 1   |          |
| 21  |             | MA011602N00 |             | MICRO-SWITCH COVER             |         |        |      |       |      | 1   |          |
| 22  |             | SM6031602TP |             | SCREW                          |         |        |      |       |      | 2   |          |
| 23  |             | WS0310002KN |             | SPRING WASHER M3               |         |        |      |       |      | 2   |          |
| 24  |             | WP0320501SC |             | WASHER M3                      |         |        |      |       |      | 2   |          |
| 25  |             | G5009162000 |             | STOPPER PLATE                  |         |        |      |       |      | 2   |          |
| 26  |             | SM6040802TP |             | SCREW M4X0.7 L=8               |         |        |      |       |      | 4   |          |
| 27  |             | WS0410002KN |             | SPRING WASHER                  |         |        |      |       |      | 4   |          |
| 28  |             | WP0430801SC |             | WASHER 4.3X9X0.8               |         |        |      |       |      | 4   |          |
| 29  |             | G5021171000 |             | RUBBER CUSHION                 |         |        |      |       |      | 2   |          |
| 30  |             | B2544280000 |             | WASHER, FOR WORK CLAMP FOOT HO |         |        |      |       |      | 2   |          |

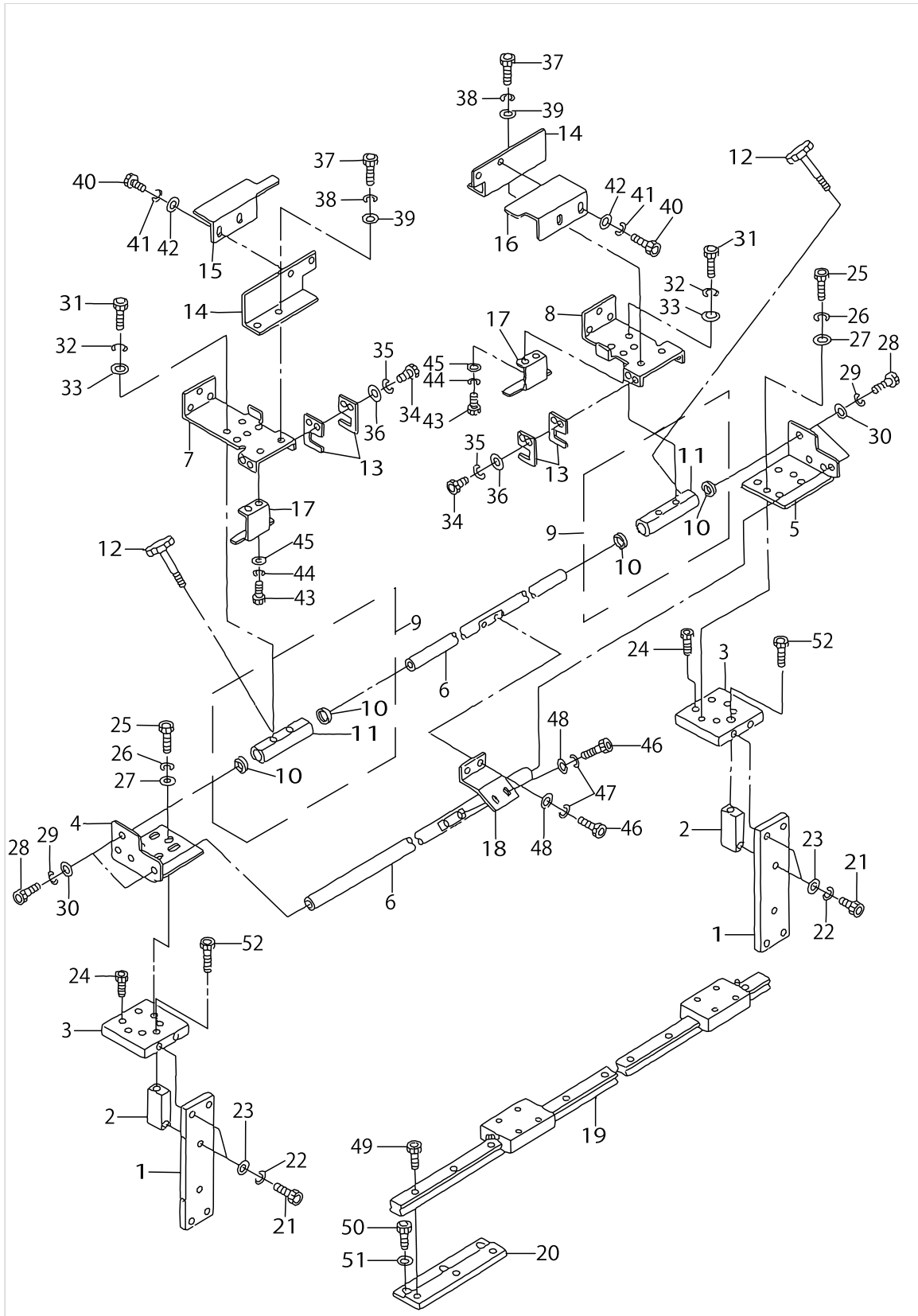
SOLENOID VALVE & REGULATOR COMPONENTS



SOLENOID VALVE & REGULATOR COMPONENTS

| No. | Supply Code | Parts No.   | Replacement | Parts name                  | Remarks | Choice | Step | Level | Cons | Qty | Rep. QTY |
|-----|-------------|-------------|-------------|-----------------------------|---------|--------|------|-------|------|-----|----------|
| 1   |             | G5029164000 |             | SOLENOID VALVE PLATE        |         |        |      |       |      | 1   |          |
| 2   |             | SM6061202TP |             | SCREW M6 L=12               |         |        |      |       |      | 2   |          |
| 3   |             | WS0610002KN |             | SPRING WASHER 6.1X12.2X1.5  |         |        |      |       |      | 2   |          |
| 4   |             | WP0641601SC |             | WASHER                      |         |        |      |       |      | 2   |          |
| 5   |             | PJ301065103 |             | HALF UNION 6XPT1/8          |         |        |      |       |      | 1   |          |
| 6   | D           | G64011640A0 |             | SOLENOID VALVE ASM. (1)     |         |        |      |       |      | 1   |          |
| 7   |             | PV1551080A0 |             | SOLENOID VALVE              |         |        |      | *     |      | 1   |          |
| 8   |             | HK03464000A |             | TERMINAL, FEMALE            |         |        |      | *     |      | 16  |          |
| 9   |             | EA9500B0100 |             | CABLE BAND                  |         |        |      | *     |      | 2   |          |
| 10  |             | SM6033052TP |             | SCREW                       |         |        |      |       |      | 2   |          |
| 11  |             | WS0310002KN |             | SPRING WASHER M3            |         |        |      |       |      | 2   |          |
| 12  |             | WP0320501SC |             | WASHER M3                   |         |        |      |       |      | 2   |          |
| 13  |             | PJ301040504 |             | JOINTING                    |         |        |      |       |      | 8   |          |
| 14  |             | PJ020500001 |             | PLUG                        |         |        |      |       |      | 8   |          |
| 15  |             | G6802164000 |             | DUCT, B                     |         |        |      |       |      | 1   |          |
| 16  |             | SL4041081SF |             | SCREW M4 L=10               |         |        |      |       |      | 6   |          |
| 17  |             | WP0450801SD |             | WASHER 4.5X10X0.8           |         |        |      |       |      | 6   |          |
| 18  |             | G5046164000 |             | TUBE                        |         |        |      |       |      | 1   |          |
| 19  | D           | HX00055000J |             | RUBBER BUSHING              |         |        |      |       |      | 1   |          |
| 20  |             | PC010514000 |             | SPEED CONTROLLER            |         |        |      |       |      | 1   |          |
| 21  |             | PF0552090A0 |             | REGULATOR ASM.              |         |        |      |       |      | 1   |          |
| 22  |             | PJ309005203 |             | QUICK JOINT PLUG            |         |        |      |       |      | 1   |          |
| 23  |             | PJ309005201 |             | PLUG                        |         |        |      |       |      | 1   |          |
| 24  |             | SM6061202TP |             | SCREW M6 L=12               |         |        |      |       |      | 2   |          |
| 25  |             | WS0610002KN |             | SPRING WASHER 6.1X12.2X1.5  |         |        |      |       |      | 2   |          |
| 26  |             | WP0641601SC |             | WASHER                      |         |        |      |       |      | 2   |          |
| 27  |             | PJ050525201 |             | TEE                         |         |        |      |       |      | 2   |          |
| 28  |             | PJ301065201 |             | HALF UNION 6XPT1/4          |         |        |      |       |      | 1   |          |
| 29  |             | PJ030520001 |             | RING JOINT (NIPPLE)         |         |        |      |       |      | 2   |          |
| 30  |             | PJ305065201 |             | TEE UNION                   |         |        |      |       |      | 1   |          |
| 31  | D           | G61071640A0 |             | AIR PRESSURE SENSOR SW ASM. |         |        |      |       |      | 1   |          |
| 32  |             | PJ015251001 |             | BUSHING                     |         |        |      |       |      | 1   |          |
| 33  |             | 16111403    |             | AIR GUN                     |         |        |      |       |      | 1   |          |
| 34  | R           | 16111502    | PJ304065102 | SOCKET                      |         |        |      |       |      | 1   | 1.00     |
| 35  |             | G5458116000 |             | CURLED TUBE                 |         |        |      |       |      | 1   |          |
| 36  |             | PJ303060001 |             | STRAIGHT UNION              |         |        |      |       |      | 1   |          |
| 37  |             | G5841270000 |             | TUBE                        |         |        |      |       |      | 5   |          |
| 38  |             | BT0600401EB |             | TUBE                        |         |        |      |       |      | 5   |          |
| 39  |             | BT0400251EB |             | URETHANE HOSE, BLACK        |         |        |      |       |      | 3   |          |
| 40  |             | G6801164000 |             | DUCT, A                     |         |        |      |       |      | 2   |          |

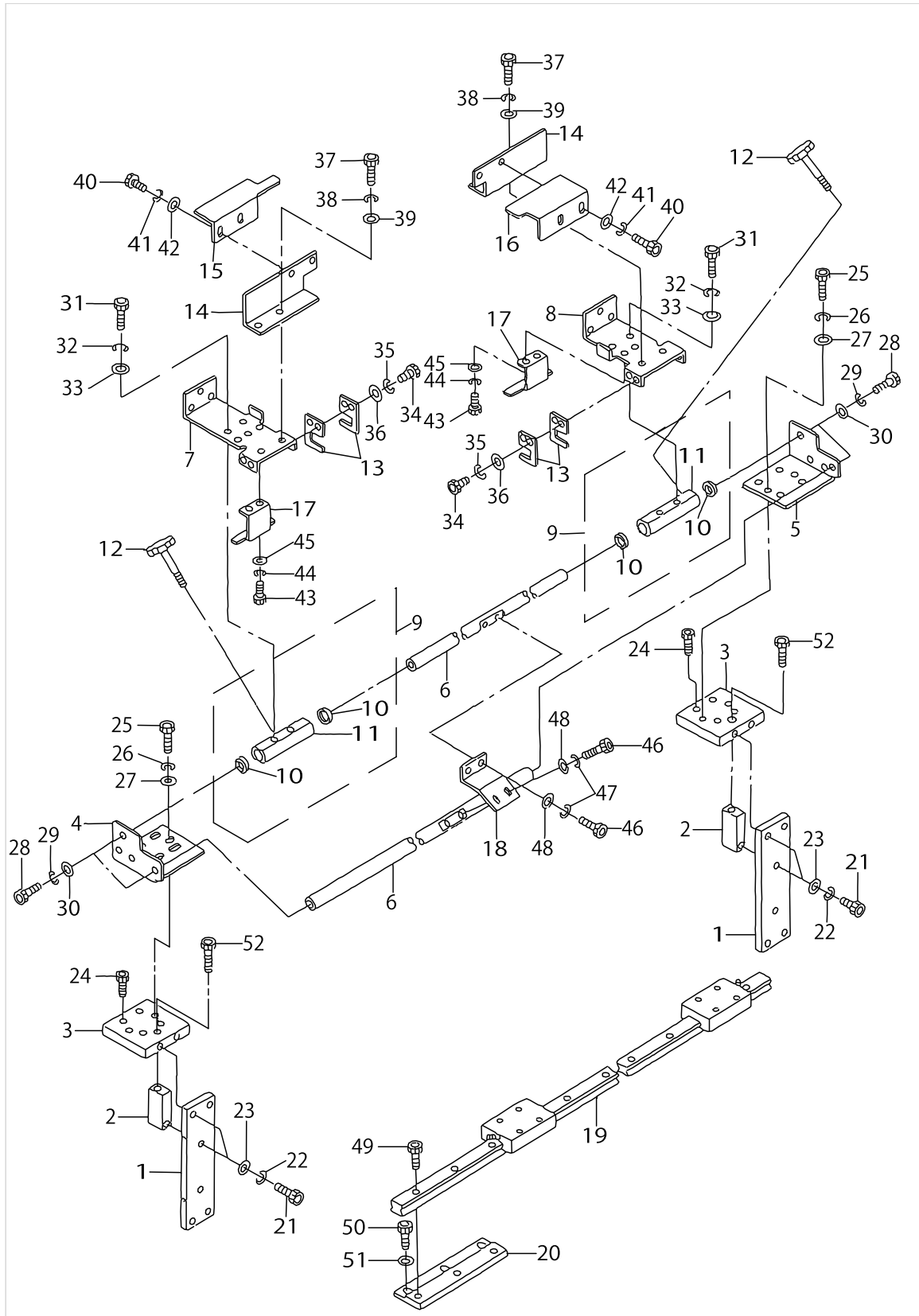
# FEED MECHANISM COMPONENTS



FEED MECHANISM COMPONENTS

| No. | Supply Code | Parts No.   | Replacement | Parts name                  | Remarks | Choice | Step | Level | Cons | Qty | Rep. QTY |
|-----|-------------|-------------|-------------|-----------------------------|---------|--------|------|-------|------|-----|----------|
| 1   |             | G5103164000 |             | STAND                       |         |        |      |       |      | 2   |          |
| 2   |             | G5104164000 |             | STAND SUPPORT               |         |        |      |       |      | 2   |          |
| 3   |             | G5105164000 |             | LM BASE                     |         |        |      |       |      | 2   |          |
| 4   |             | G5106164000 |             | SLIDER SHAFT SUPPORT, LEFT  |         |        |      |       |      | 1   |          |
| 5   | D           | G5107164000 |             | SLIDER SHAFT SUPPORT, RIGHT |         |        |      |       |      | 1   |          |
| 6   | D           | G5108164000 |             | SLIDER SHAFT                |         |        |      |       |      | 2   |          |
| 7   |             | G5109164000 |             | FEEDER MAIN FRAME           |         |        |      |       |      | 1   |          |
| 8   |             | G5110164000 |             | FEEDER MAIN FRAME, RIGHT    |         |        |      |       |      | 1   |          |
| 9   | D           | G51111640A0 |             | SLIDER SHAFT BLOCK ASM.     |         |        |      |       |      | 2   |          |
| 10  |             | G5113164000 |             | BUSH                        |         |        |      | *     |      | 4   |          |
| 11  |             | G5112164000 |             | SLIDER SHAFT HOLDER         |         |        |      | *     |      | 2   |          |
| 12  |             | G5114164000 |             | BUSH                        |         |        |      |       |      | 2   |          |
| 13  |             | G5115164000 |             | FIXED PLATE                 |         |        |      |       |      | 4   |          |
| 14  |             | G5120164000 |             | PLATE SUPPORT               |         |        |      |       |      | 2   |          |
| 15  | D           | G5121164000 |             | CLAMP PLATE, LEFT           |         |        |      |       |      | 1   |          |
| 16  | D           | G5122164000 |             | CLAMPPLATE, RIGHT           |         |        |      |       |      | 1   |          |
| 17  |             | G5123164000 |             | SENSOR PLATE                |         |        |      |       |      | 2   |          |
| 18  |             | G5134164000 |             | COUPLING PLATE              |         |        |      |       |      | 1   |          |
| 19  |             | G5010164000 |             | FEED RAIL                   |         |        |      |       |      | 1   |          |
| 20  |             | G5009164000 |             | FEED RAIL SUPPORT PLATE     |         |        |      |       |      | 6   |          |
| 21  |             | SM6062002TP |             | SCREW M6 L=20               |         |        |      |       |      | 6   |          |
| 22  |             | WS0610002KN |             | SPRING WASHER 6.1X12.2X1.5  |         |        |      |       |      | 6   |          |
| 23  |             | WP0641601SC |             | WASHER                      |         |        |      |       |      | 6   |          |
| 24  |             | SM6051202TP |             | SCREW M5X0.8 L=12           |         |        |      |       |      | 8   |          |
| 25  |             | SM6061202TP |             | SCREW M6 L=12               |         |        |      |       |      | 4   |          |
| 26  |             | WS0610002KN |             | SPRING WASHER 6.1X12.2X1.5  |         |        |      |       |      | 4   |          |
| 27  |             | WP0641601SC |             | WASHER                      |         |        |      |       |      | 4   |          |
| 28  |             | SM6061602TP |             | SCREW M6 L=16               |         |        |      |       |      | 4   |          |
| 29  |             | WS0610002KN |             | SPRING WASHER 6.1X12.2X1.5  |         |        |      |       |      | 4   |          |
| 30  |             | WP0641601SC |             | WASHER                      |         |        |      |       |      | 4   |          |
| 31  |             | SM6061002TP |             | SCREW M6 L=10               |         |        |      |       |      | 4   |          |
| 32  |             | WS0610002KN |             | SPRING WASHER 6.1X12.2X1.5  |         |        |      |       |      | 4   |          |
| 33  |             | WP0641601SC |             | WASHER                      |         |        |      |       |      | 4   |          |
| 34  |             | SM6041002TP |             | SCREW M4 L=10               |         |        |      |       |      | 4   |          |
| 35  |             | WS0410002KN |             | SPRING WASHER               |         |        |      |       |      | 4   |          |
| 36  |             | WP0430801SC |             | WASHER 4.3X9X0.8            |         |        |      |       |      | 4   |          |
| 37  |             | SM6040802TP |             | SCREW M4X0.7 L=8            |         |        |      |       |      | 4   |          |
| 38  |             | WS0410002KN |             | SPRING WASHER               |         |        |      |       |      | 4   |          |
| 39  |             | WP0430801SC |             | WASHER 4.3X9X0.8            |         |        |      |       |      | 4   |          |
| 40  |             | SM6040802TP |             | SCREW M4X0.7 L=8            |         |        |      |       |      | 4   |          |
| 41  |             | WS0410002KN |             | SPRING WASHER               |         |        |      |       |      | 4   |          |
| 42  |             | WP0430801SC |             | WASHER 4.3X9X0.8            |         |        |      |       |      | 4   |          |
| 43  |             | SM6040802TP |             | SCREW M4X0.7 L=8            |         |        |      |       |      | 4   |          |
| 44  |             | WS0410002KN |             | SPRING WASHER               |         |        |      |       |      | 4   |          |
| 45  |             | WP0430801SC |             | WASHER 4.3X9X0.8            |         |        |      |       |      | 4   |          |
| 46  |             | SM6061202TP |             | SCREW M6 L=12               |         |        |      |       |      | 4   |          |

# FEED MECHANISM COMPONENTS

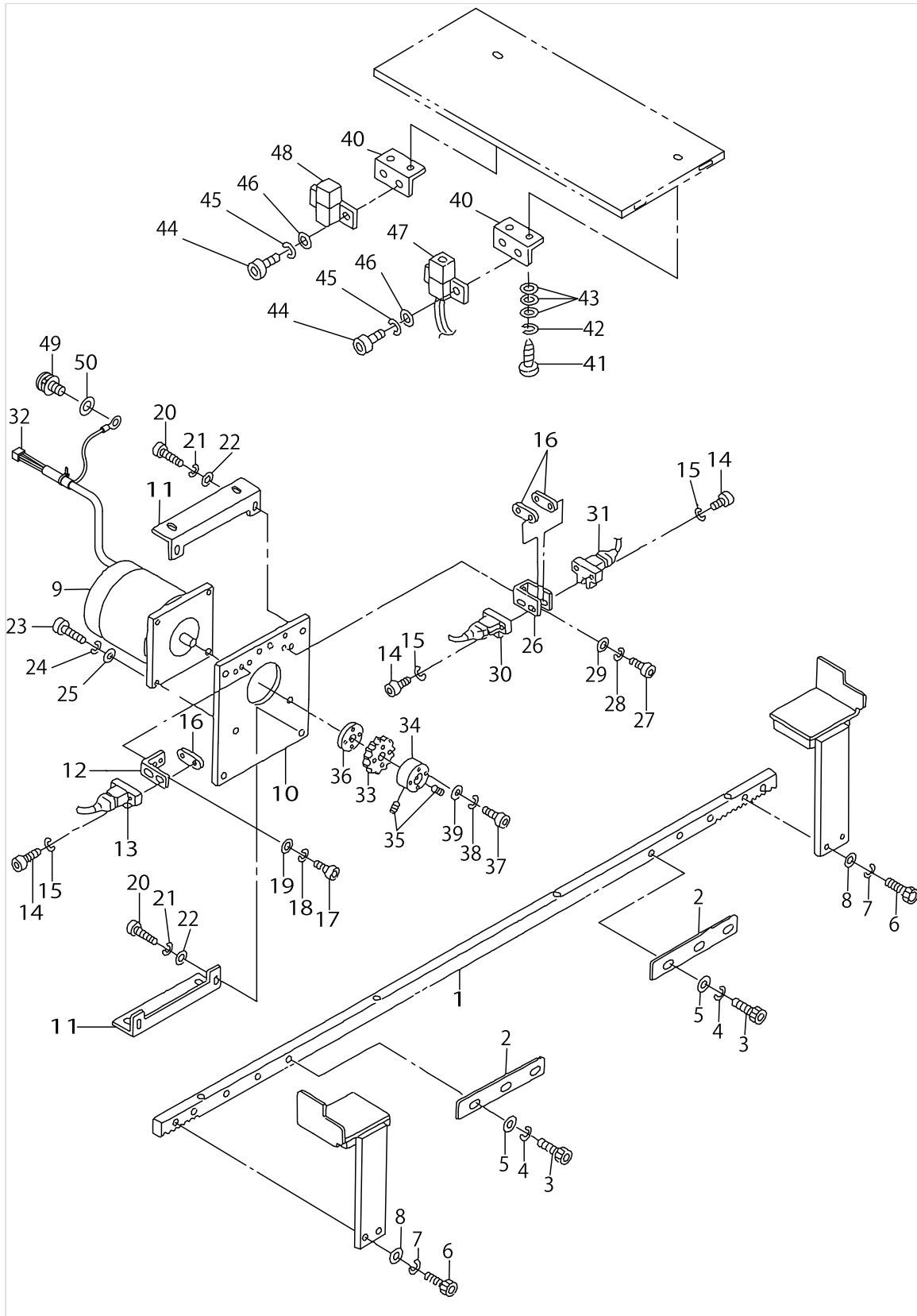


FEED MECHANISM COMPONENTS

| No. | Supply Code | Parts No.   | Replacement | Parts name                 | Remarks | Choice | Step | Level | Cons | Qty | Rep. QTY |
|-----|-------------|-------------|-------------|----------------------------|---------|--------|------|-------|------|-----|----------|
| 47  |             | WS0610002KN |             | SPRING WASHER 6.1X12.2X1.5 |         |        |      |       |      | 4   |          |
| 48  |             | WP0641601SC |             | WASHER                     |         |        |      |       |      | 4   |          |
| 49  |             | SM6051202TP |             | SCREW M5X0.8 L=12          |         |        |      |       |      | 18  |          |
| 50  |             | SM6051202TP |             | SCREW M5X0.8 L=12          |         |        |      |       |      | 18  |          |
| 51  |             | WP0621016SH |             | WASHER                     |         |        |      |       |      | 18  |          |
| 52  |             | SM6062002TP |             | SCREW M6 L=20              |         |        |      |       |      | 2   |          |



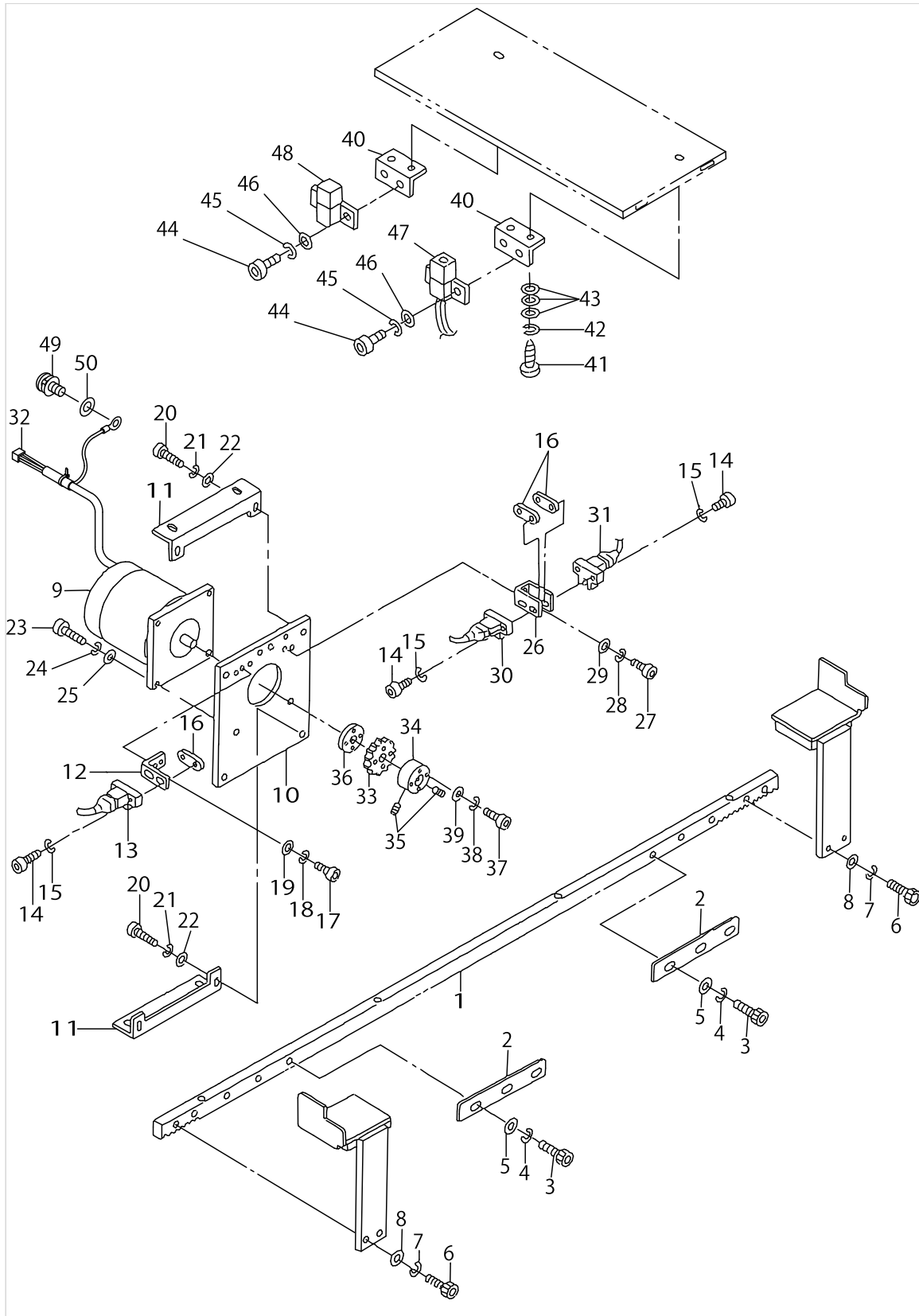
# FEED MECHANISM DRIVE & SWITCH COMPONENTS



FEED MECHANISM DRIVE & SWITCH COMPONENTS

| No. | Supply Code | Parts No.   | Replacement | Parts name                        | Remarks | Choice | Step | Level | Cons | Qty | Rep. QTY |
|-----|-------------|-------------|-------------|-----------------------------------|---------|--------|------|-------|------|-----|----------|
| 1   |             | G5101164000 |             | RACK                              |         |        |      |       |      | 1   |          |
| 2   |             | G5102164000 |             | ORIGINAL POINT SENSOR PLATE       |         |        |      |       |      | 2   |          |
| 3   |             | SM6040802TP |             | SCREW M4X0.7 L=8                  |         |        |      |       |      | 6   |          |
| 4   |             | WS0410002KN |             | SPRING WASHER                     |         |        |      |       |      | 6   |          |
| 5   |             | WP0430801SC |             | WASHER 4.3X9X0.8                  |         |        |      |       |      | 6   |          |
| 6   |             | SM6062002TP |             | SCREW M6 L=20                     |         |        |      |       |      | 4   |          |
| 7   |             | WS0610002KN |             | SPRING WASHER 6.1X12.2X1.5        |         |        |      |       |      | 4   |          |
| 8   |             | WP0641601SC |             | WASHER                            |         |        |      |       |      | 4   |          |
| 9   |             | HM000570000 |             | STEPPING MOTOR                    |         |        |      |       |      | 1   |          |
| 10  |             | G5012164000 |             | PM INSTALLING PLATE               |         |        |      |       |      | 1   |          |
| 11  |             | G5011164000 |             | PM FIXED BASE                     |         |        |      |       |      | 2   |          |
| 12  |             | G5013164000 |             | SENSOR INSTALLING PLATE           |         |        |      |       |      | 1   |          |
| 13  |             | G61021640A0 |             | SPEED TRANSMISS-<br>ION SENSOR SW |         |        |      |       |      | 1   |          |
| 14  |             | SM6031502TP |             | SCREW M3 X 15                     |         |        |      |       |      | 6   |          |
| 15  |             | WS0310002KN |             | SPRING WASHER M3                  |         |        |      |       |      | 6   |          |
| 16  |             | G5153171000 |             | SENSOR PLATE                      |         |        |      |       |      | 3   |          |
| 17  |             | SM6040802TP |             | SCREW M4X0.7 L=8                  |         |        |      |       |      | 2   |          |
| 18  |             | WS0410002KN |             | SPRING WASHER                     |         |        |      |       |      | 2   |          |
| 19  |             | WP0430801SC |             | WASHER 4.3X9X0.8                  |         |        |      |       |      | 2   |          |
| 20  |             | SM6061202TP |             | SCREW M6 L=12                     |         |        |      |       |      | 4   |          |
| 21  |             | WS0610002KN |             | SPRING WASHER 6.1X12.2X1.5        |         |        |      |       |      | 4   |          |
| 22  |             | WP0641601SC |             | WASHER                            |         |        |      |       |      | 4   |          |
| 23  |             | SM6082502TN |             | BOLT                              |         |        |      |       |      | 4   |          |
| 24  |             | WS0820002KN |             | SPRING WASHER M8                  |         |        |      |       |      | 4   |          |
| 25  |             | WP0841601SC |             | WASHER 8.4X17.4X1.6               |         |        |      |       |      | 4   |          |
| 26  |             | G5014164000 |             | SENSOR INSTALLING PLATE           |         |        |      |       |      | 1   |          |
| 27  |             | SM6040802TP |             | SCREW M4X0.7 L=8                  |         |        |      |       |      | 2   |          |
| 28  |             | WS0410002KN |             | SPRING WASHER                     |         |        |      |       |      | 2   |          |
| 29  |             | WP0430801SC |             | WASHER 4.3X9X0.8                  |         |        |      |       |      | 2   |          |
| 30  | D           | G61011640A0 |             | HOME POSITION SE-<br>NSOR SW ASM. |         |        |      |       |      | 1   |          |
| 31  |             | G61031640A0 |             | DISCRIMINATION SW ASM.            |         |        |      |       |      | 1   |          |
| 32  |             | G65021640A0 |             | PULCE MOTOR CORD ASM.             |         |        |      |       |      | 1   |          |
| 33  |             | G5109171000 |             | FEED BLOCK GEAR                   |         |        |      |       |      | 1   |          |
| 34  |             | G5110171000 |             | BOSS                              |         |        |      |       |      | 1   |          |
| 35  |             | SM8060802TP |             | SCREW M6 L=8                      |         |        |      |       |      | 2   |          |
| 36  | D           | G5111171000 |             | GEAR HOLDER                       |         |        |      |       |      | 1   |          |
| 37  |             | SM6033052TP |             | SCREW                             |         |        |      |       |      | 4   |          |
| 38  |             | WS0310002KN |             | SPRING WASHER M3                  |         |        |      |       |      | 4   |          |
| 39  |             | WP0320501SC |             | WASHER M3                         |         |        |      |       |      | 4   |          |
| 40  |             | G5019164000 |             | SENSOR INSTALLING PLATE           |         |        |      |       |      | 2   |          |
| 41  |             | SK3311301SA |             | WOOD SCREW D=3.1 L=13             |         |        |      |       |      | 4   |          |
| 42  |             | WS0410002KN |             | SPRING WASHER                     |         |        |      |       |      | 4   |          |
| 43  |             | WP0430801SC |             | WASHER 4.3X9X0.8                  |         |        |      |       |      | 12  |          |
| 44  |             | SM6030802TP |             | SCREW M3X0.5 L=8                  |         |        |      |       |      | 4   |          |
| 45  |             | WS0310002KN |             | SPRING WASHER M3                  |         |        |      |       |      | 4   |          |

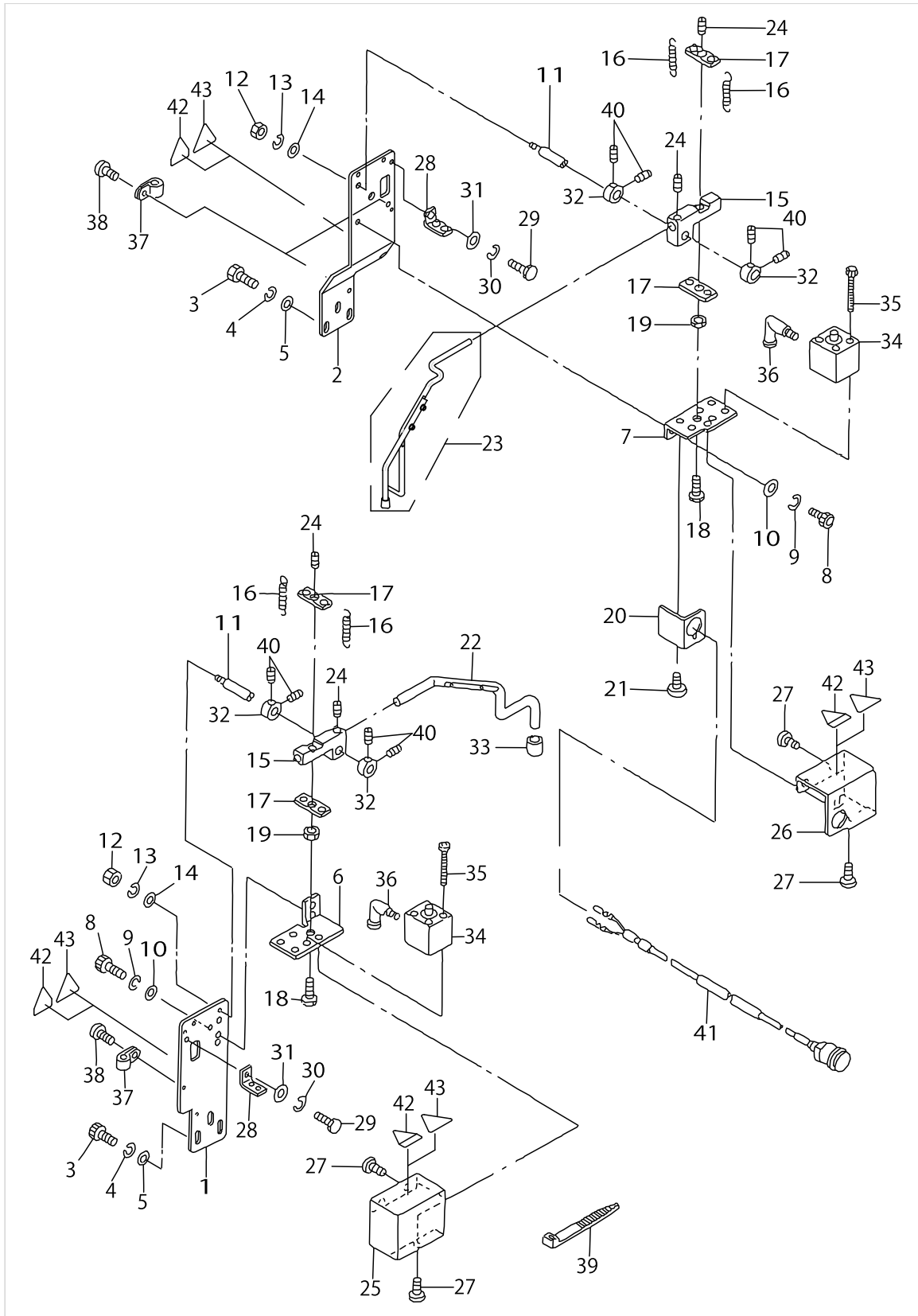
# FEED MECHANISM DRIVE & SWITCH COMPONENTS



FEED MECHANISM DRIVE & SWITCH COMPONENTS

| No. | Supply Code | Parts No.   | Replacement | Parts name               | Remarks | Choice | Step | Level | Cons | Qty | Rep. QTY |
|-----|-------------|-------------|-------------|--------------------------|---------|--------|------|-------|------|-----|----------|
| 46  |             | WP0320501SC |             | WASHER M3                |         |        |      |       |      | 4   |          |
| 47  |             | G61101640A0 |             | CLOTH EDGE SENSOR 1 ASM. |         |        |      |       |      | 1   |          |
| 48  |             | G61111640A0 |             | CLOTH EDGE SENSOR 2 ASM. |         |        |      |       |      | 1   |          |
| 49  |             | SL4041081SF |             | SCREW M4 L=10            |         |        |      |       |      | 1   |          |
| 50  |             | WT0430001KN |             | TOOTHED WASHER           |         |        |      |       |      | 1   |          |

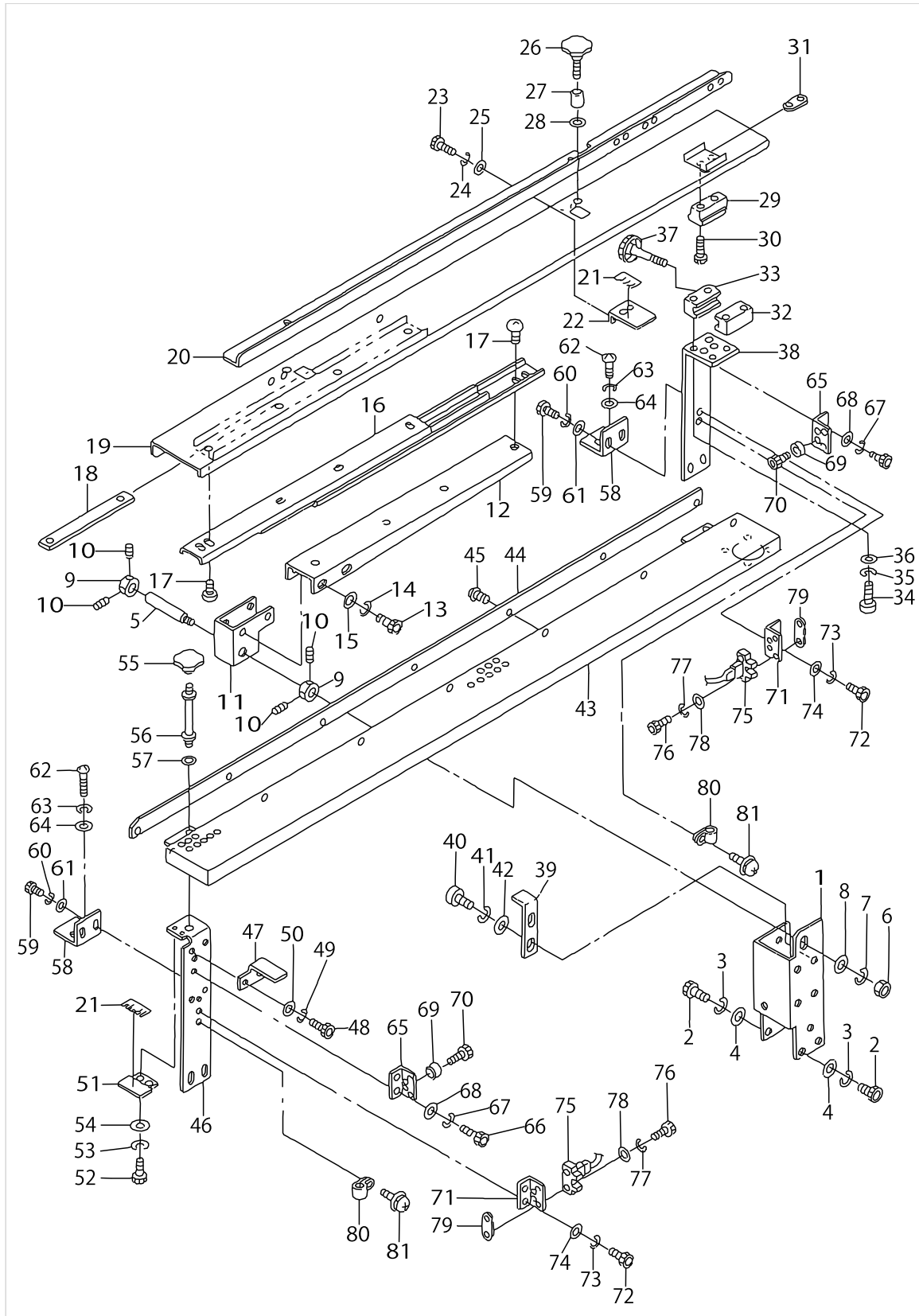
# CLAMP ARM COMPONENTS



CLAMP ARM COMPONENTS

| No. | Supply Code | Parts No.    | Replacement | Parts name                         | Remarks   | Choice | Step | Level | Cons | Qty | Rep. QTY |
|-----|-------------|--------------|-------------|------------------------------------|-----------|--------|------|-------|------|-----|----------|
| 1   |             | G5116164000  |             | CLAMP PLATE, LEFT                  |           |        |      |       |      | 1   |          |
| 2   |             | G5117164000B |             | CLAMP FITTING BASE RIGHT           |           |        |      |       |      | 1   |          |
| 3   |             | SM6061202TP  |             | SCREW M6 L=12                      |           |        |      |       |      | 6   |          |
| 4   |             | WS0610002KN  |             | SPRING WASHER 6.1X12.2X1.5         |           |        |      |       |      | 6   |          |
| 5   |             | WP0641601SC  |             | WASHER                             |           |        |      |       |      | 6   |          |
| 6   |             | G5118164000  |             | CLAMP CYLINDER PLATE, LEFT         |           |        |      |       |      | 1   |          |
| 7   | D           | G5119164000  |             | CLAMP CYLINDER PLATE, RIGHT        |           |        |      |       |      | 1   |          |
| 8   |             | SM6061202TP  |             | SCREW M6 L=12                      |           |        |      |       |      | 4   |          |
| 9   |             | WS0610002KN  |             | SPRING WASHER 6.1X12.2X1.5         |           |        |      |       |      | 4   |          |
| 10  |             | WP0641601SC  |             | WASHER                             |           |        |      |       |      | 4   |          |
| 11  |             | G5124164000  |             | CLAMP SHAFT                        |           |        |      |       |      | 2   |          |
| 12  |             | NM6060001SC  |             | NUT M6                             |           |        |      |       |      | 2   |          |
| 13  |             | WS0610002KN  |             | SPRING WASHER 6.1X12.2X1.5         |           |        |      |       |      | 2   |          |
| 14  |             | WP0641601SC  |             | WASHER                             |           |        |      |       |      | 2   |          |
| 15  |             | G5125164000  |             | CLAMP HOLDER                       |           |        |      |       |      | 2   |          |
| 16  |             | G5126164000  |             | SPRING                             |           |        |      |       |      | 4   |          |
| 17  | D           | G5127164000  |             | SPRING HOOK                        |           |        |      |       |      | 4   |          |
| 18  |             | G5128164000  |             | TENSION BOLT                       |           |        |      |       |      | 2   |          |
| 19  |             | NM6060001SC  |             | NUT M6                             |           |        |      |       |      | 2   |          |
| 20  |             | G5129164000  |             | SWITCH INSTALLING PLATE            |           |        |      |       |      | 1   |          |
| 21  |             | G5144162000  |             | SCREW                              |           |        |      |       |      | 2   |          |
| 22  |             | G5130164A00  |             | CLAMP, LEFT                        |           |        |      |       |      | 1   |          |
| 23  |             | G51311640A0  |             | CLAMP FOOT ASM., RIGHT             |           |        |      |       |      | 1   |          |
| 24  |             | SM8040402TP  |             | SCREW M4X0.7 L=4                   |           |        |      |       |      | 4   |          |
| 25  |             | G5132164000  |             | CLAMP COVER, LEFT                  |           |        |      |       |      | 1   |          |
| 26  | D           | G5133164000  |             | CLAMP COVER, RIGHT                 |           |        |      |       |      | 1   |          |
| 27  |             | G5144162000  |             | SCREW                              |           |        |      |       |      | 6   |          |
| 28  |             | B4131357000  |             | NEEDLE GUARD AD-<br>JUSTING GUIDE  |           |        |      |       |      | 2   |          |
| 29  |             | SM9041050SC  |             | SCREW M4X0.7 L=10                  |           |        |      |       |      | 2   |          |
| 30  |             | WS0410002KN  |             | SPRING WASHER                      |           |        |      |       |      | 2   |          |
| 31  |             | WP0430801SC  |             | WASHER 4.3X9X0.8                   |           |        |      |       |      | 2   |          |
| 32  | R           | G2526270000  | E4704172000 | COLLAR                             |           |        |      |       |      | 4   | 1.00     |
| 33  |             | G5138161000  |             | RUBBER CAP                         |           |        |      |       |      | 1   |          |
| 34  |             | PA160100500  |             | AIR CYLINDER                       |           |        |      |       |      | 2   |          |
| 35  |             | SM6033052TP  |             | SCREW                              |           |        |      |       |      | 8   |          |
| 36  |             | PJ304040504  |             | ELBOW UNION                        |           |        |      |       |      | 2   |          |
| 37  |             | HX00150000A  |             | CABLE CLAMP                        |           |        |      |       |      | 4   |          |
| 38  |             | SM0040601SA  |             | SCREW                              |           |        |      |       |      | 4   |          |
| 39  |             | EA9500B0100  |             | CABLE BAND                         |           |        |      |       |      | 6   |          |
| 40  |             | SM8040402TP  |             | SCREW M4X0.7 L=4                   |           |        |      |       |      | 8   |          |
| 41  | D           | G61121640A0  |             | CLOTH PRESSER C-<br>ANCELLATION SW |           |        |      |       |      | 1   |          |
| 42  |             | CM3002000B2  |             | LABEL(25).                         | FOR JAPAN |        |      |       |      | 4   |          |
| 43  |             | CM300200003  |             | ATTENTION LABEL                    | FOR JE    |        |      |       |      | 4   |          |

SET PLATE COMPONENTS

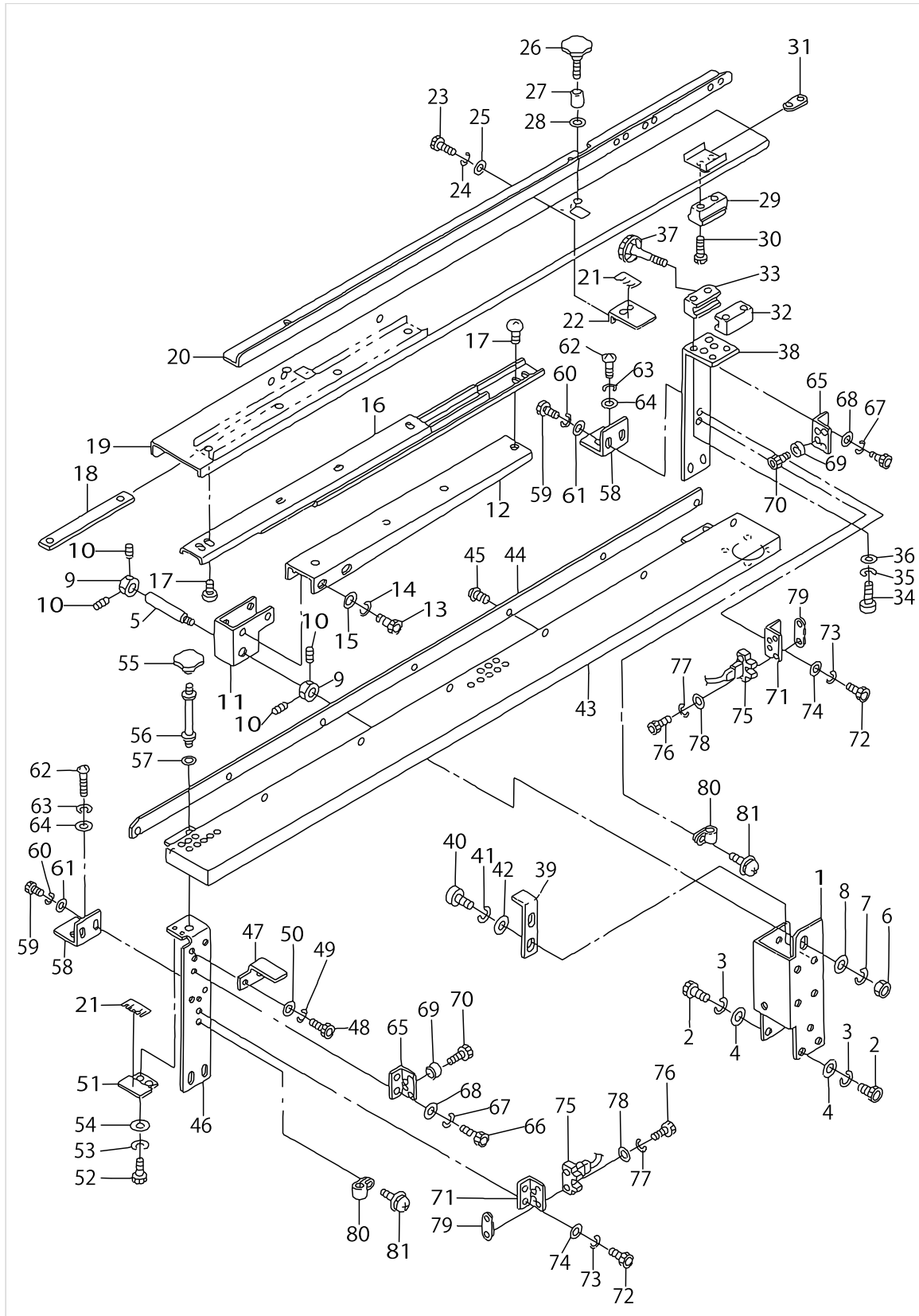


SET PLATE COMPONENTS

| No. | Supply Code | Parts No.   | Replacement | Parts name                     | Remarks | Choice | Step | Level | Cons | Qty | Rep. QTY |
|-----|-------------|-------------|-------------|--------------------------------|---------|--------|------|-------|------|-----|----------|
| 1   |             | G5301164000 |             | LEFT INSTALLING BASE           |         |        |      |       |      | 1   |          |
| 2   |             | SM6061202TP |             | SCREW M6 L=12                  |         |        |      |       |      | 6   |          |
| 3   |             | WS0610002KN |             | SPRING WASHER 6.1X12.2X1.5     |         |        |      |       |      | 6   |          |
| 4   |             | WP0641601SC |             | WASHER                         |         |        |      |       |      | 6   |          |
| 5   |             | G5302164000 |             | TURNING SHAFT                  |         |        |      |       |      | 1   |          |
| 6   |             | NM6080001SC |             | NUT M8X1.25                    |         |        |      |       |      | 1   |          |
| 7   |             | WS0820002KN |             | SPRING WASHER M8               |         |        |      |       |      | 1   |          |
| 8   |             | WP0841601SC |             | WASHER 8.4X17.4X1.6            |         |        |      |       |      | 1   |          |
| 9   |             | G2543270000 |             | SHAFT STOP COLLAR A            |         |        |      |       |      | 2   |          |
| 10  |             | SM8040402TP |             | SCREW M4X0.7 L=4               |         |        |      |       |      | 4   |          |
| 11  |             | G5303164000 |             | RAIL INSTALLING P-LATE BRACKET |         |        |      |       |      | 1   |          |
| 12  |             | G5304164000 |             | RAIL INSTALLING PLATE          |         |        |      |       |      | 1   |          |
| 13  |             | SM6061202TP |             | SCREW M6 L=12                  |         |        |      |       |      | 4   |          |
| 14  |             | WS0610002KN |             | SPRING WASHER 6.1X12.2X1.5     |         |        |      |       |      | 4   |          |
| 15  |             | WP0641601SC |             | WASHER                         |         |        |      |       |      | 4   |          |
| 16  |             | G5305164000 |             | SLIDER RAIL                    |         |        |      |       |      | 1   |          |
| 17  |             | SM0040601SA |             | SCREW                          |         |        |      |       |      | 8   |          |
| 18  |             | G5306164000 |             | RAIL FIXED PLATE               |         |        |      |       |      | 2   |          |
| 19  |             | G5307164000 |             | SET PLATE, LEFT                |         |        |      |       |      | 1   |          |
| 20  |             | G5308164000 |             | GUIDE, LEFT                    |         |        |      |       |      | 1   |          |
| 21  |             | G5309164000 |             | SCALE                          |         |        |      |       |      | 4   |          |
| 22  | D           | G5310164000 |             | SCALE PLATE, LEFT              |         |        |      |       |      | 2   |          |
| 23  |             | SM6040802TP |             | SCREW M4X0.7 L=8               |         |        |      |       |      | 4   |          |
| 24  |             | WS0410002KN |             | SPRING WASHER                  |         |        |      |       |      | 4   |          |
| 25  |             | WP0430801SC |             | WASHER 4.3X9X0.8               |         |        |      |       |      | 4   |          |
| 26  |             | G5311164000 |             | KNOB, MALE                     |         |        |      |       |      | 2   |          |
| 27  |             | G5312164000 |             | COLLAR                         |         |        |      |       |      | 2   |          |
| 28  |             | WP0641601SC |             | WASHER                         |         |        |      |       |      | 2   |          |
| 29  |             | G5315164000 |             | BLOCK                          |         |        |      |       |      | 1   |          |
| 30  |             | SM6040802TP |             | SCREW M4X0.7 L=8               |         |        |      |       |      | 2   |          |
| 31  |             | G5146171000 |             | CLAMP FIXING PLATE             |         |        |      |       |      | 1   |          |
| 32  |             | G5313164000 |             | BLOCK.A                        |         |        |      |       |      | 1   |          |
| 33  |             | G5314164000 |             | BLOCK B                        |         |        |      |       |      | 1   |          |
| 34  |             | SM6041202TP |             | SCREW M4X0.7 L=12              |         |        |      |       |      | 4   |          |
| 35  |             | WS0410002KN |             | SPRING WASHER                  |         |        |      |       |      | 4   |          |
| 36  |             | WP0430801SC |             | WASHER 4.3X9X0.8               |         |        |      |       |      | 4   |          |
| 37  |             | G5316164000 |             | FIXED SCREW                    |         |        |      |       |      | 1   |          |
| 38  |             | G5006164000 |             | SET PLATE SUPPORT, LEFT        |         |        |      |       |      | 1   |          |
| 39  |             | G5332164000 |             | STOPPER                        |         |        |      |       |      | 1   |          |
| 40  |             | SM6061202TP |             | SCREW M6 L=12                  |         |        |      |       |      | 2   |          |
| 41  |             | WS0610002KN |             | SPRING WASHER 6.1X12.2X1.5     |         |        |      |       |      | 2   |          |
| 42  |             | WP0641601SC |             | WASHER                         |         |        |      |       |      | 2   |          |
| 43  | D           | G5327164000 |             | SET PLATE, RIGHT               |         |        |      |       |      | 1   |          |
| 44  | D           | G5328164000 |             | GUIDE, RIGHT                   |         |        |      |       |      | 1   |          |
| 45  |             | SM0030601SA |             | SCREW M3X0.5 L=6               |         |        |      |       |      | 7   |          |
| 46  | D           | G5007164A00 |             | SUPPORT PLATE                  |         |        |      |       |      | 1   |          |



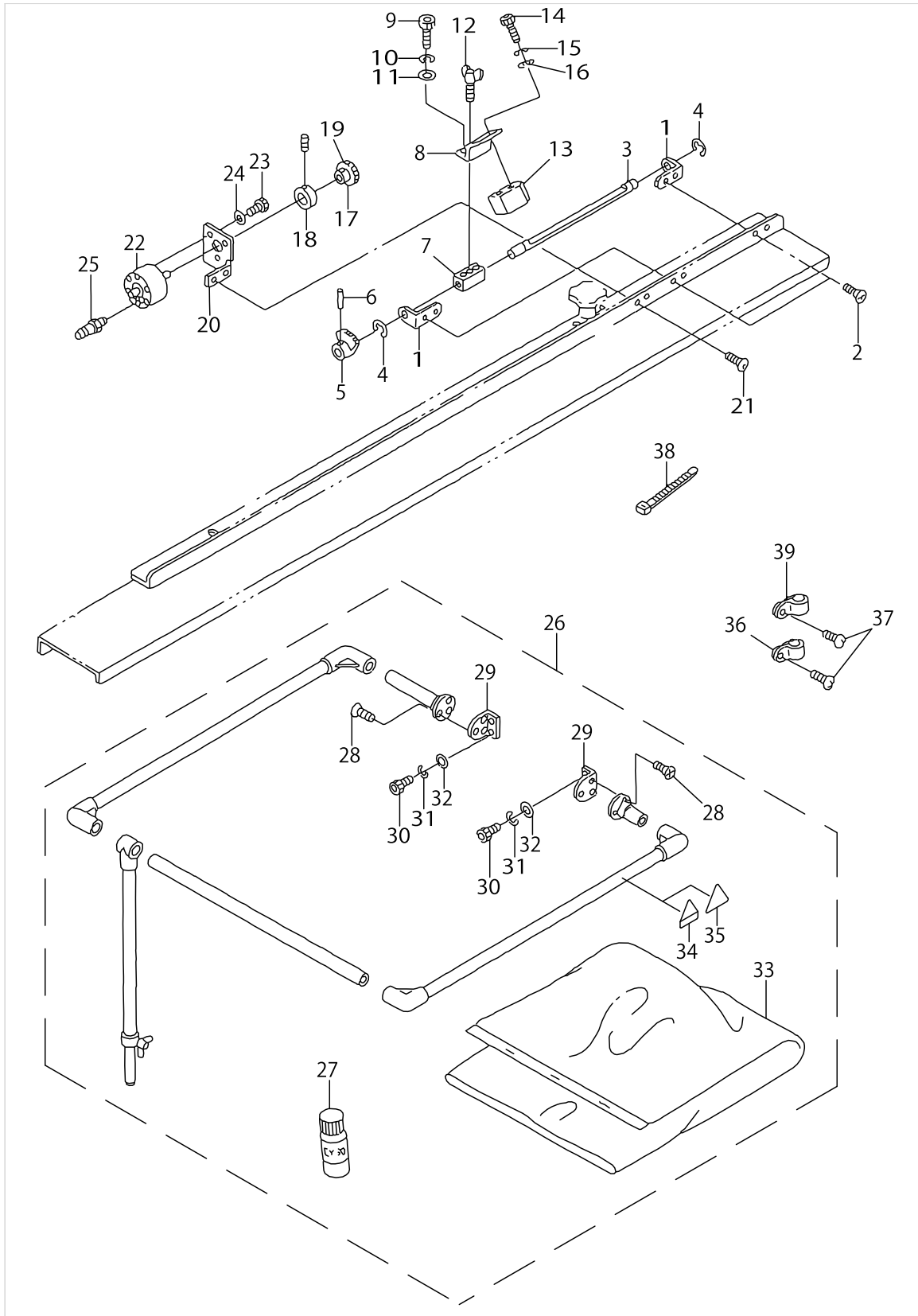
SET PLATE COMPONENTS



SET PLATE COMPONENTS

| No. | Supply Code | Parts No.   | Replacement | Parts name                 | Remarks | Choice | Step | Level | Cons | Qty | Rep. QTY |
|-----|-------------|-------------|-------------|----------------------------|---------|--------|------|-------|------|-----|----------|
| 47  | D           | G5030164000 |             | SUPPORT PLATE              |         |        |      |       |      | 1   |          |
| 48  |             | SM6061202TP |             | SCREW M6 L=12              |         |        |      |       |      | 2   |          |
| 49  |             | WS0610002KN |             | SPRING WASHER 6.1X12.2X1.5 |         |        |      |       |      | 2   |          |
| 50  |             | WP0641601SC |             | WASHER                     |         |        |      |       |      | 2   |          |
| 51  | D           | G5329164000 |             | SCALE PLATE, RIGHT         |         |        |      |       |      | 2   |          |
| 52  |             | SM6040602TP |             | SCREW M4 L=6               |         |        |      |       |      | 4   |          |
| 53  |             | WS0410002KN |             | SPRING WASHER              |         |        |      |       |      | 4   |          |
| 54  |             | WP0430801SC |             | WASHER 4.3X9X0.8           |         |        |      |       |      | 4   |          |
| 55  |             | G5330164000 |             | KNOB, FEMALE               |         |        |      |       |      | 2   |          |
| 56  | D           | G5331164000 |             | HANDLE EXTENSION           |         |        |      |       |      | 2   |          |
| 57  |             | WP0641601SC |             | WASHER                     |         |        |      |       |      | 2   |          |
| 58  |             | G5403164000 |             | FIXED PLATE                |         |        |      |       |      | 3   |          |
| 59  |             | SM6061002TP |             | SCREW M6 L=10              |         |        |      |       |      | 6   |          |
| 60  |             | WS0610002KN |             | SPRING WASHER 6.1X12.2X1.5 |         |        |      |       |      | 6   |          |
| 61  |             | WP0641601SC |             | WASHER                     |         |        |      |       |      | 6   |          |
| 62  |             | SK3381601SC |             | WOOD SCREW D=3.8 L=16      |         |        |      |       |      | 6   |          |
| 63  |             | WS0410002KN |             | SPRING WASHER              |         |        |      |       |      | 6   |          |
| 64  |             | WP0430801SC |             | WASHER 4.3X9X0.8           |         |        |      |       |      | 6   |          |
| 65  |             | G5008164000 |             | STOPPER                    |         |        |      |       |      | 2   |          |
| 66  |             | SM6040802TP |             | SCREW M4X0.7 L=8           |         |        |      |       |      | 4   |          |
| 67  |             | WS0410002KN |             | SPRING WASHER              |         |        |      |       |      | 4   |          |
| 68  |             | WP0430801SC |             | WASHER 4.3X9X0.8           |         |        |      |       |      | 4   |          |
| 69  |             | G5384171000 |             | RUBBER FOOT                |         |        |      |       |      | 2   |          |
| 70  |             | SM6031002TP |             | HEXAGONAL BOLT M3 X 10     |         |        |      |       |      | 2   |          |
| 71  |             | G5008164000 |             | STOPPER                    |         |        |      |       |      | 2   |          |
| 72  |             | SM6040802TP |             | SCREW M4X0.7 L=8           |         |        |      |       |      | 4   |          |
| 73  |             | WS0410002KN |             | SPRING WASHER              |         |        |      |       |      | 4   |          |
| 74  |             | WP0430801SC |             | WASHER 4.3X9X0.8           |         |        |      |       |      | 4   |          |
| 75  |             | G61051640A0 |             | PRESSER POSITION SW ASM.   |         |        |      |       |      | 2   |          |
| 76  |             | SM6031502TP |             | SCREW M3 X 15              |         |        |      |       |      | 4   |          |
| 77  |             | WS0310002KN |             | SPRING WASHER M3           |         |        |      |       |      | 4   |          |
| 78  |             | WP0320501SC |             | WASHER M3                  |         |        |      |       |      | 4   |          |
| 79  |             | G5153171000 |             | SENSOR PLATE               |         |        |      |       |      | 2   |          |
| 80  |             | HX001500000 |             | CLIP                       |         |        |      |       |      | 2   |          |
| 81  |             | SL4041081SF |             | SCREW M4 L=10              |         |        |      |       |      | 2   |          |

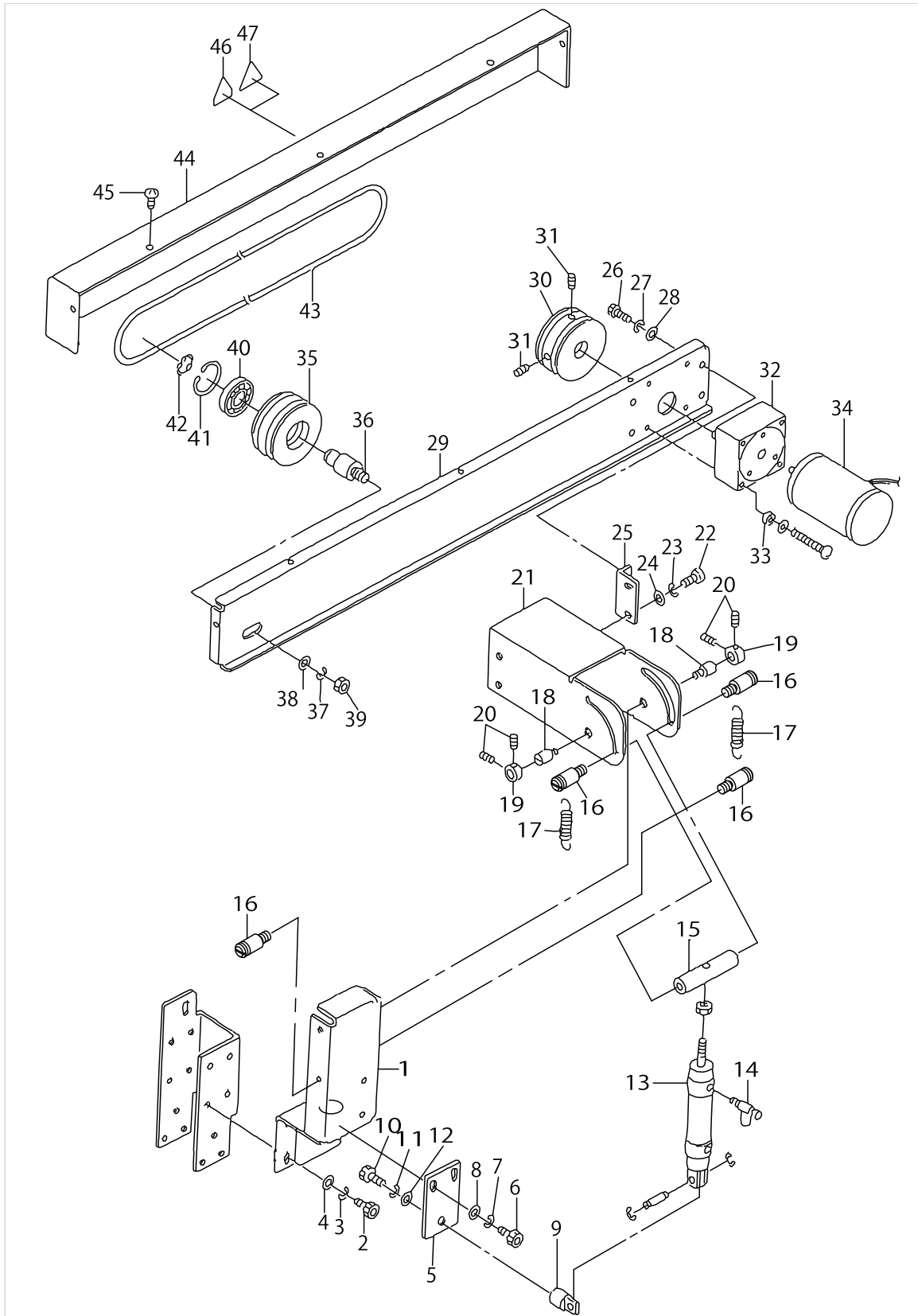
# GAUGE & STACKER GUARD COMPONENTS



GAUGE & STACKER GUARD COMPONENTS

| No. | Supply Code | Parts No.   | Replacement | Parts name             | Remarks   | Choice | Step | Level | Cons | Qty | Rep. QTY |
|-----|-------------|-------------|-------------|------------------------|-----------|--------|------|-------|------|-----|----------|
| 1   |             | G5317164000 |             | BRACKET                |           |        |      |       |      | 2   |          |
| 2   |             | SM1030601SC |             | SCREW M3 L=6           |           |        |      |       |      | 4   |          |
| 3   |             | G5318164000 |             | GAUGE SHAFT            |           |        |      |       |      | 1   |          |
| 4   |             | RE0400000K0 |             | E-RING 4               |           |        |      |       |      | 2   |          |
| 5   |             | G5321164000 |             | GAUGEDRIVEN GEAR       |           |        |      |       |      | 1   |          |
| 6   |             | PS0160122KH |             | SPRING PIN 1.6X12      |           |        |      |       |      | 1   |          |
| 7   |             | G5323164000 |             | GAUGE BLOCK            |           |        |      |       |      | 1   |          |
| 8   | D           | G5324164000 |             | GAUGE INSTALLING PLATE |           |        |      |       |      | 1   |          |
| 9   |             | SM6040602TP |             | SCREW M4 L=6           |           |        |      |       |      | 2   |          |
| 10  |             | WS0410002KN |             | SPRING WASHER          |           |        |      |       |      | 2   |          |
| 11  |             | WP0430801SC |             | WASHER 4.3X9X0.8       |           |        |      |       |      | 2   |          |
| 12  |             | G5326164000 |             | SCREW                  |           |        |      |       |      | 1   |          |
| 13  |             | G5325164000 |             | GAUGE (FOR MAN)        |           |        |      |       |      | 1   |          |
| 14  |             | SM6031202TP |             | SCREW M3X0.5 L=12      |           |        |      |       |      | 2   |          |
| 15  |             | WS0310002KN |             | SPRING WASHER M3       |           |        |      |       |      | 2   |          |
| 16  |             | WP0320501SC |             | WASHER M3              |           |        |      |       |      | 2   |          |
| 17  | D           | G5319164000 |             | GEAR                   |           |        |      |       |      | 1   |          |
| 18  | D           | G5320164000 |             | RETAINING RING         |           |        |      |       |      | 1   |          |
| 19  |             | SM8030502TP |             | SCREW M3 L=5           |           |        |      |       |      | 1   |          |
| 20  | D           | G5322164000 |             | INSTALLING PLATE       |           |        |      |       |      | 1   |          |
| 21  |             | SM1030601SC |             | SCREW M3 L=6           |           |        |      |       |      | 2   |          |
| 22  |             | PA800012000 |             | AIR CYLINDER           |           |        |      |       |      | 1   |          |
| 23  |             | SM6030602TP |             | SCREW M3X0.5 L=6       |           |        |      |       |      | 3   |          |
| 24  |             | WP0320501SC |             | WASHER M3              |           |        |      |       |      | 3   |          |
| 25  |             | PJ210304010 |             | HALF UNION             |           |        |      |       |      | 2   |          |
| 26  | D           | G52401640A0 |             | STACKER GUARD ASM.     |           |        |      |       |      | 1   |          |
| 27  |             | G5242164000 |             | PIPE ADHESIVE CEMENT   |           |        |      | *     |      | 1   |          |
| 28  |             | SM1030801SC |             | SCREW M3 L=8           |           |        |      | *     |      | 6   |          |
| 29  |             | G5243164000 |             | PIPE SUPPORT           |           |        |      | *     |      | 2   |          |
| 30  |             | SM6050802TP |             | SCREW M5X0.8 L=8       |           |        |      | *     |      | 4   |          |
| 31  |             | WS0510002KN |             | SPRING WASHER          |           |        |      | *     |      | 4   |          |
| 32  |             | WP0531001SC |             | WASHER                 |           |        |      | *     |      | 4   |          |
| 33  |             | GSS29212000 |             | VINYL BAG              |           |        |      | *     |      | 1   |          |
| 34  |             | CM3002000B1 |             | LABEL(16)              | FOR JAPAN |        |      | *     |      | 1   |          |
| 35  |             | CM300200003 |             | ATTENTION LABEL        | FOR JE    |        |      | *     |      | 1   |          |
| 36  |             | HX00150000A |             | CABLE CLAMP            |           |        |      |       |      | 1   |          |
| 37  |             | SL4041081SF |             | SCREW M4 L=10          |           |        |      |       |      | 2   |          |
| 38  |             | EA9500B0100 |             | CABLE BAND             |           |        |      |       |      | 3   |          |
| 39  |             | HX00150000F |             | CABLE CLIP             |           |        |      |       |      | 1   |          |

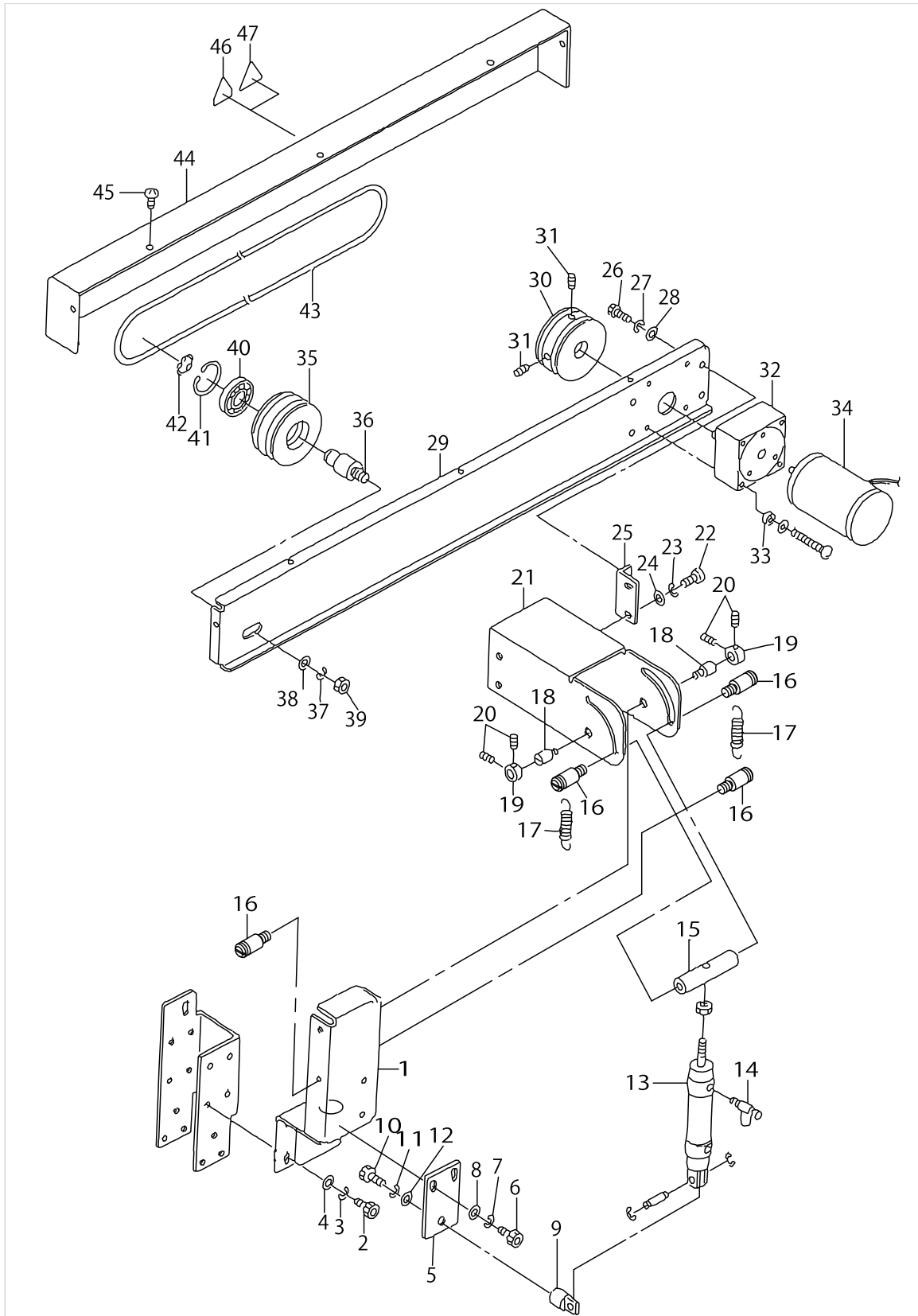
# CONVEYOR COMPONENTS



CONVEYOR COMPONENTS

| No. | Supply Code | Parts No.   | Replacement | Parts name                   | Remarks   | Choice | Step | Level | Cons | Qty | Rep. QTY |
|-----|-------------|-------------|-------------|------------------------------|-----------|--------|------|-------|------|-----|----------|
| 1   | D           | G5222164000 |             | MOTOR BRACKET SUPPORT        |           |        |      |       |      | 1   |          |
| 2   |             | SM6061202TP |             | SCREW M6 L=12                |           |        |      |       |      | 4   |          |
| 3   |             | WS0610002KN |             | SPRING WASHER 6.1X12.2X1.5   |           |        |      |       |      | 4   |          |
| 4   |             | WP0641601SC |             | WASHER                       |           |        |      |       |      | 4   |          |
| 5   |             | G5223164000 |             | INSTALLING PLATE             |           |        |      |       |      | 1   |          |
| 6   |             | SM6061202TP |             | SCREW M6 L=12                |           |        |      |       |      | 2   |          |
| 7   |             | WS0610002KN |             | SPRING WASHER 6.1X12.2X1.5   |           |        |      |       |      | 2   |          |
| 8   |             | WP0641601SC |             | WASHER                       |           |        |      |       |      | 2   |          |
| 9   |             | PX500017000 |             | KNUCKLE JOINT                |           |        |      |       |      | 1   |          |
| 10  |             | SM6082002TN |             | SCREW M8 L=20                |           |        |      |       |      | 1   |          |
| 11  |             | WS0820002KN |             | SPRING WASHER M8             |           |        |      |       |      | 1   |          |
| 12  |             | WP0841601SC |             | WASHER 8.4X17.4X1.6          |           |        |      |       |      | 1   |          |
| 13  |             | PA2002513A0 |             | AIR CYLINDER                 |           |        |      |       |      | 1   |          |
| 14  |             | PC015108000 |             | SPEED CONTROLLER             |           |        |      |       |      | 1   |          |
| 15  |             | G5224164000 |             | SHAFT                        |           |        |      |       |      | 1   |          |
| 16  | R           | B2714761000 | 26212308    | SPRING RACK                  |           |        |      |       |      | 4   | 1.00     |
| 17  |             | B2710771000 |             | SPRING                       |           |        |      |       |      | 2   |          |
| 18  |             | G5225164000 |             | STUD                         |           |        |      |       |      | 2   |          |
| 19  | R           | G2526270000 | E4704172000 | COLLAR                       |           |        |      |       |      | 2   | 1.00     |
| 20  |             | SM8040402TP |             | SCREW M4X0.7 L=4             |           |        |      |       |      | 4   |          |
| 21  |             | G5226164000 |             | MOTOR BRACKET                |           |        |      |       |      | 1   |          |
| 22  |             | SM6061202TP |             | SCREW M6 L=12                |           |        |      |       |      | 4   |          |
| 23  |             | WS0610002KN |             | SPRING WASHER 6.1X12.2X1.5   |           |        |      |       |      | 4   |          |
| 24  |             | WP0641601SC |             | WASHER                       |           |        |      |       |      | 4   |          |
| 25  |             | G5227164000 |             | INSTALLING PLATE             |           |        |      |       |      | 2   |          |
| 26  |             | SM6061202TP |             | SCREW M6 L=12                |           |        |      |       |      | 4   |          |
| 27  |             | WS0610002KN |             | SPRING WASHER 6.1X12.2X1.5   |           |        |      |       |      | 4   |          |
| 28  |             | WP0641601SC |             | WASHER                       |           |        |      |       |      | 4   |          |
| 29  |             | G5228164000 |             | CONVEYER FRAME               |           |        |      |       |      | 1   |          |
| 30  |             | G5229164000 |             | DRIVE PULLEY                 |           |        |      |       |      | 1   |          |
| 31  |             | SM8040602TP |             | SCREW M4X0.7 L=6             |           |        |      |       |      | 2   |          |
| 32  |             | HM000770010 |             | GEAR HEAD                    |           |        |      |       |      | 1   |          |
| 33  |             | B1513210000 |             | CLOTH PRESSER M-AGNET SPACER |           |        |      |       |      | 4   |          |
| 34  | D           | G62011640A0 |             | CONVEYER MOTOR ASM.          |           |        |      |       |      | 1   |          |
| 35  | D           | G5230164000 |             | IDLER PULLEY                 |           |        |      |       |      | 1   |          |
| 36  |             | G5231164000 |             | IDLERPULLEY SHAFT            |           |        |      |       |      | 1   |          |
| 37  |             | WS1020002KN |             | SPRING WASHER M10            |           |        |      |       |      | 1   |          |
| 38  |             | WP1052001SC |             | WASHER 10,5X21X2             |           |        |      |       |      | 1   |          |
| 39  |             | NM6100001SC |             | NUT M10X1.5                  |           |        |      |       |      | 1   |          |
| 40  |             | SB115000200 |             | BEARING                      |           |        |      |       |      | 1   |          |
| 41  |             | RC3500002KP |             | RETAINING RING 35            |           |        |      |       |      | 1   |          |
| 42  |             | RC0150001KP |             | RETAINING RING 13.8          |           |        |      |       |      | 1   |          |
| 43  |             | G5232164000 |             | CONVEYER BELT                |           |        |      |       |      | 2   |          |
| 44  |             | G5233164000 |             | CONVEYER COVER               |           |        |      |       |      | 1   |          |
| 45  |             | SM0040601SA |             | SCREW                        |           |        |      |       |      | 5   |          |
| 46  |             | CM3002000B2 |             | LABEL(25).                   | FOR JAPAN |        |      |       |      | 1   |          |

# CONVEYOR COMPONENTS

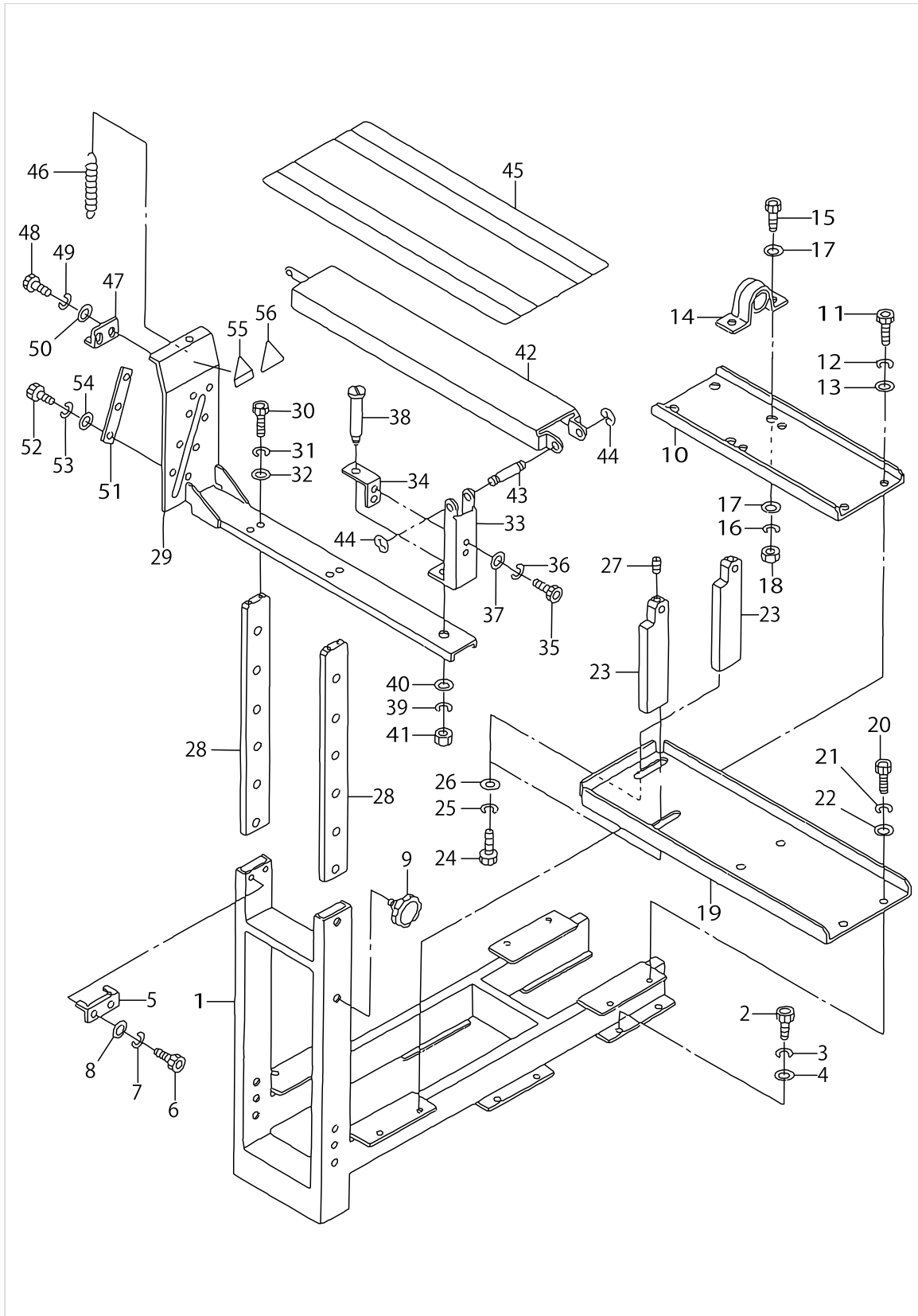


CONVEYOR COMPONENTS

| No. | Supply Code | Parts No.   | Replacement | Parts name      | Remarks | Choice | Step | Level | Cons | Qty | Rep. QTY |
|-----|-------------|-------------|-------------|-----------------|---------|--------|------|-------|------|-----|----------|
| 47  |             | CM300200003 |             | ATTENTION LABEL | FOR JE  |        |      |       |      | 1   |          |



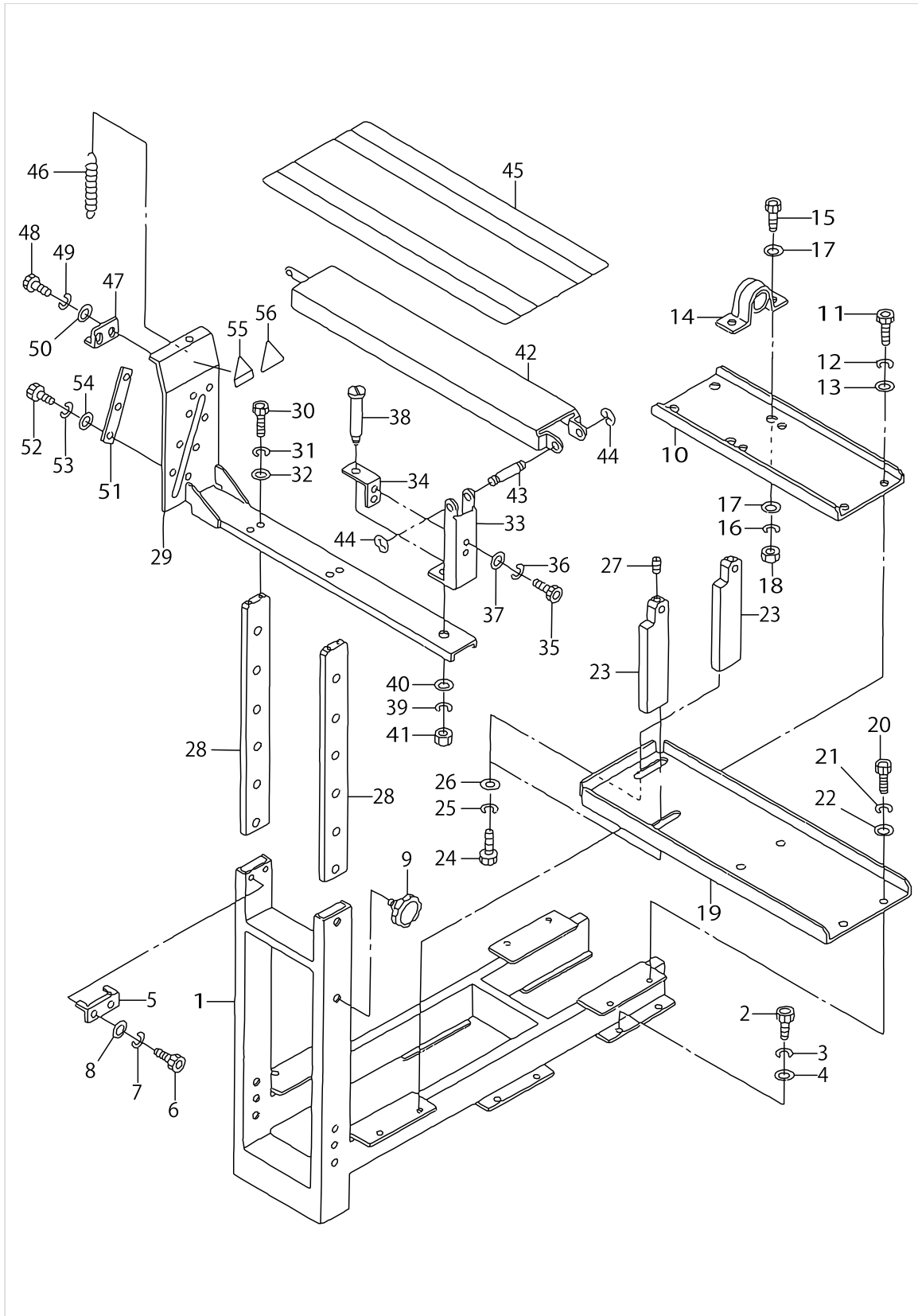
# STACKER COMPONENTS



STACKER COMPONENTS

| No. | Supply Code | Parts No.   | Replacement | Parts name                 | Remarks | Choice | Step | Level | Cons | Qty | Rep. QTY |
|-----|-------------|-------------|-------------|----------------------------|---------|--------|------|-------|------|-----|----------|
| 1   |             | G5201164000 |             | STACKER BASE               |         |        |      |       |      | 1   |          |
| 2   |             | SM6061202TP |             | SCREW M6 L=12              |         |        |      |       |      | 4   |          |
| 3   |             | WS0610002KN |             | SPRING WASHER 6.1X12.2X1.5 |         |        |      |       |      | 4   |          |
| 4   |             | WP0641601SC |             | WASHER                     |         |        |      |       |      | 4   |          |
| 5   |             | G5210164000 |             | SUPPORT PLATE              |         |        |      |       |      | 2   |          |
| 6   |             | SM6030602TP |             | SCREW M3X0.5 L=6           |         |        |      |       |      | 4   |          |
| 7   |             | WS0310002KN |             | SPRING WASHER M3           |         |        |      |       |      | 4   |          |
| 8   |             | WP0320501SC |             | WASHER M3                  |         |        |      |       |      | 4   |          |
| 9   |             | G5220164000 |             | KNOB                       |         |        |      |       |      | 2   |          |
| 10  |             | G5202164000 |             | PILLOW INSTALLING PLATE    |         |        |      |       |      | 1   |          |
| 11  |             | SM6061202TP |             | SCREW M6 L=12              |         |        |      |       |      | 4   |          |
| 12  |             | WS0610002KN |             | SPRING WASHER 6.1X12.2X1.5 |         |        |      |       |      | 4   |          |
| 13  |             | WP0641601SC |             | WASHER                     |         |        |      |       |      | 4   |          |
| 14  |             | G5129164000 |             | SWITCH INSTALLING PLATE    |         |        |      |       |      | 2   |          |
| 15  |             | SM6082002TN |             | SCREW M8 L=20              |         |        |      |       |      | 4   |          |
| 16  |             | WS0820002KN |             | SPRING WASHER M8           |         |        |      |       |      | 4   |          |
| 17  |             | WP0841601SC |             | WASHER 8.4X17.4X1.6        |         |        |      |       |      | 8   |          |
| 18  |             | NM6080001SC |             | NUT M8X1.25                |         |        |      |       |      | 4   |          |
| 19  |             | G5203164000 |             | CYLINDER HOLDER BASE       |         |        |      |       |      | 1   |          |
| 20  |             | SM6061202TP |             | SCREW M6 L=12              |         |        |      |       |      | 4   |          |
| 21  |             | WS0610002KN |             | SPRING WASHER 6.1X12.2X1.5 |         |        |      |       |      | 4   |          |
| 22  |             | WP0641601SC |             | WASHER                     |         |        |      |       |      | 4   |          |
| 23  |             | G5217164000 |             | CYLINDER MOUNT PLATE       |         |        |      |       |      | 2   |          |
| 24  |             | SM6061602TP |             | SCREW M6 L=16              |         |        |      |       |      | 4   |          |
| 25  |             | WS0610002KN |             | SPRING WASHER 6.1X12.2X1.5 |         |        |      |       |      | 4   |          |
| 26  |             | WP0641601SC |             | WASHER                     |         |        |      |       |      | 4   |          |
| 27  |             | SM8040402TP |             | SCREW M4X0.7 L=4           |         |        |      |       |      | 2   |          |
| 28  |             | G5209164000 |             | ADJUSTING PLATE            |         |        |      |       |      | 2   |          |
| 29  |             | G5211164000 |             | SUPPORT                    |         |        |      |       |      | 1   |          |
| 30  |             | SM6041202TP |             | SCREW M4X0.7 L=12          |         |        |      |       |      | 4   |          |
| 31  |             | WS0410002KN |             | SPRING WASHER              |         |        |      |       |      | 4   |          |
| 32  |             | WP0430801SC |             | WASHER 4.3X9X0.8           |         |        |      |       |      | 4   |          |
| 33  |             | G5212164000 |             | FULCRUM PLATE              |         |        |      |       |      | 1   |          |
| 34  |             | G5234164000 |             | PIN SUPPORT                |         |        |      |       |      | 1   |          |
| 35  |             | SM6040802TP |             | SCREW M4X0.7 L=8           |         |        |      |       |      | 2   |          |
| 36  |             | WS0410002KN |             | SPRING WASHER              |         |        |      |       |      | 2   |          |
| 37  |             | WP0430801SC |             | WASHER 4.3X9X0.8           |         |        |      |       |      | 2   |          |
| 38  |             | B8170220000 |             | BED FIXED SCREW            |         |        |      |       |      | 1   |          |
| 39  |             | WS0820002KN |             | SPRING WASHER M8           |         |        |      |       |      | 1   |          |
| 40  |             | WP0841601SC |             | WASHER 8.4X17.4X1.6        |         |        |      |       |      | 1   |          |
| 41  |             | NM6080001SC |             | NUT M8X1.25                |         |        |      |       |      | 1   |          |
| 42  | D           | G5213164000 |             | CLOTH STACKER              |         |        |      |       |      | 1   |          |
| 43  | R           | 13518105    | 26223701    | LIFTING LEVER SHAFT        |         |        |      |       |      | 1   | 1.00     |
| 44  |             | RE0700000K0 |             | E-RING 7                   |         |        |      |       |      | 2   |          |
| 45  |             | G5022164000 |             | CUSHION                    |         |        |      |       |      | 1   |          |
| 46  |             | G5214164000 |             | SPRING                     |         |        |      |       |      | 1   |          |

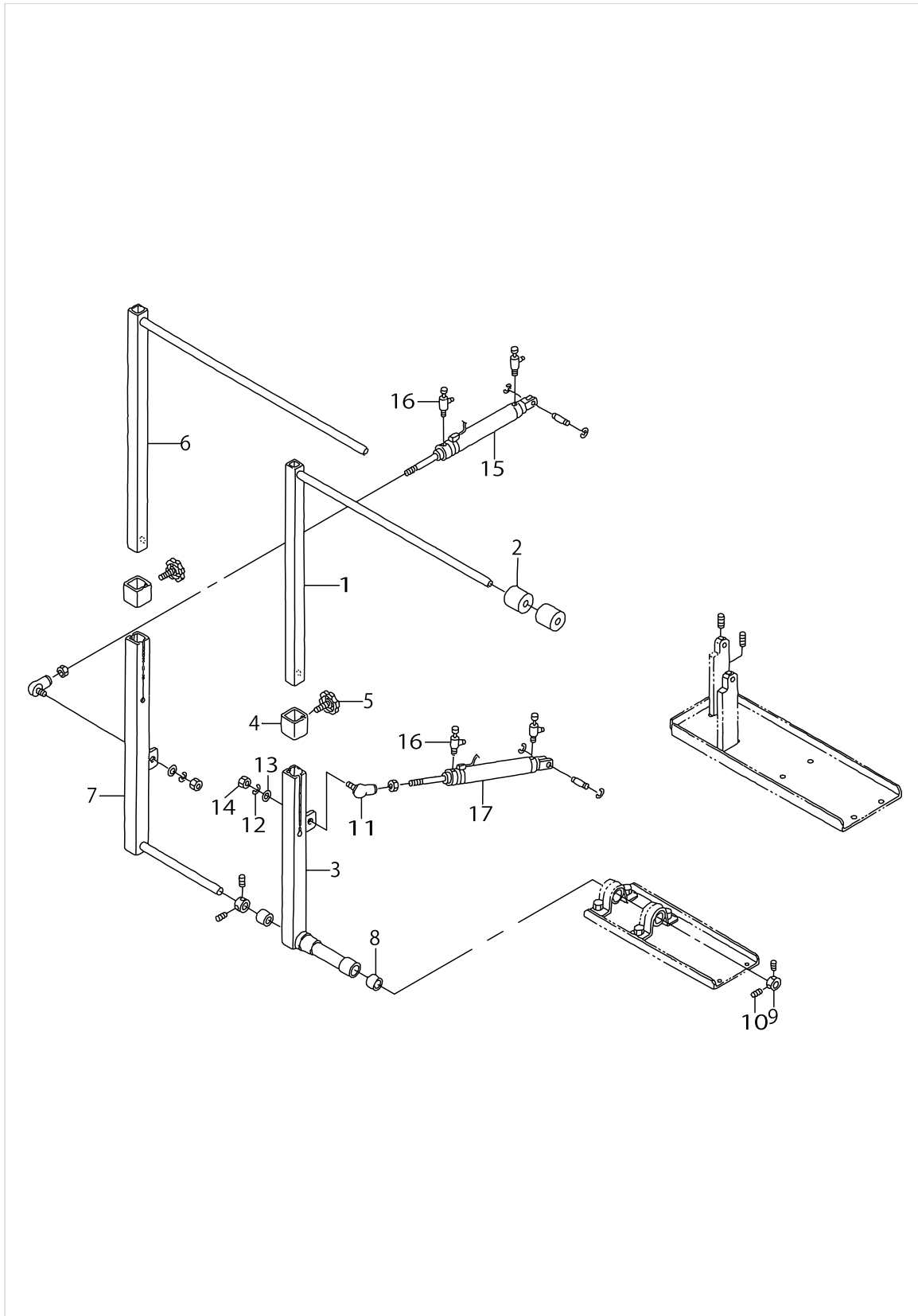
# STACKER COMPONENTS



STACKER COMPONENTS

| No. | Supply Code | Parts No.   | Replacement | Parts name       | Remarks   | Choice | Step | Level | Cons | Qty | Rep. QTY |
|-----|-------------|-------------|-------------|------------------|-----------|--------|------|-------|------|-----|----------|
| 47  |             | G5215164000 |             | FIXED PLATE      |           |        |      |       |      | 1   |          |
| 48  |             | SM6030602TP |             | SCREW M3X0.5 L=6 |           |        |      |       |      | 2   |          |
| 49  |             | WS0310002KN |             | SPRING WASHER M3 |           |        |      |       |      | 2   |          |
| 50  |             | WP0320501SC |             | WASHER M3        |           |        |      |       |      | 2   |          |
| 51  |             | G5235164000 |             | SLIDER           |           |        |      |       |      | 2   |          |
| 52  |             | SM6030802TP |             | SCREW M3X0.5 L=8 |           |        |      |       |      | 6   |          |
| 53  |             | WS0310002KN |             | SPRING WASHER M3 |           |        |      |       |      | 6   |          |
| 54  |             | WP0320501SC |             | WASHER M3        |           |        |      |       |      | 6   |          |
| 55  |             | CM3002000B1 |             | LABEL(16)        | FOR JAPAN |        |      |       |      | 1   |          |
| 56  |             | CM300200003 |             | ATTENTION LABEL  | FOR JE    |        |      |       |      | 1   |          |

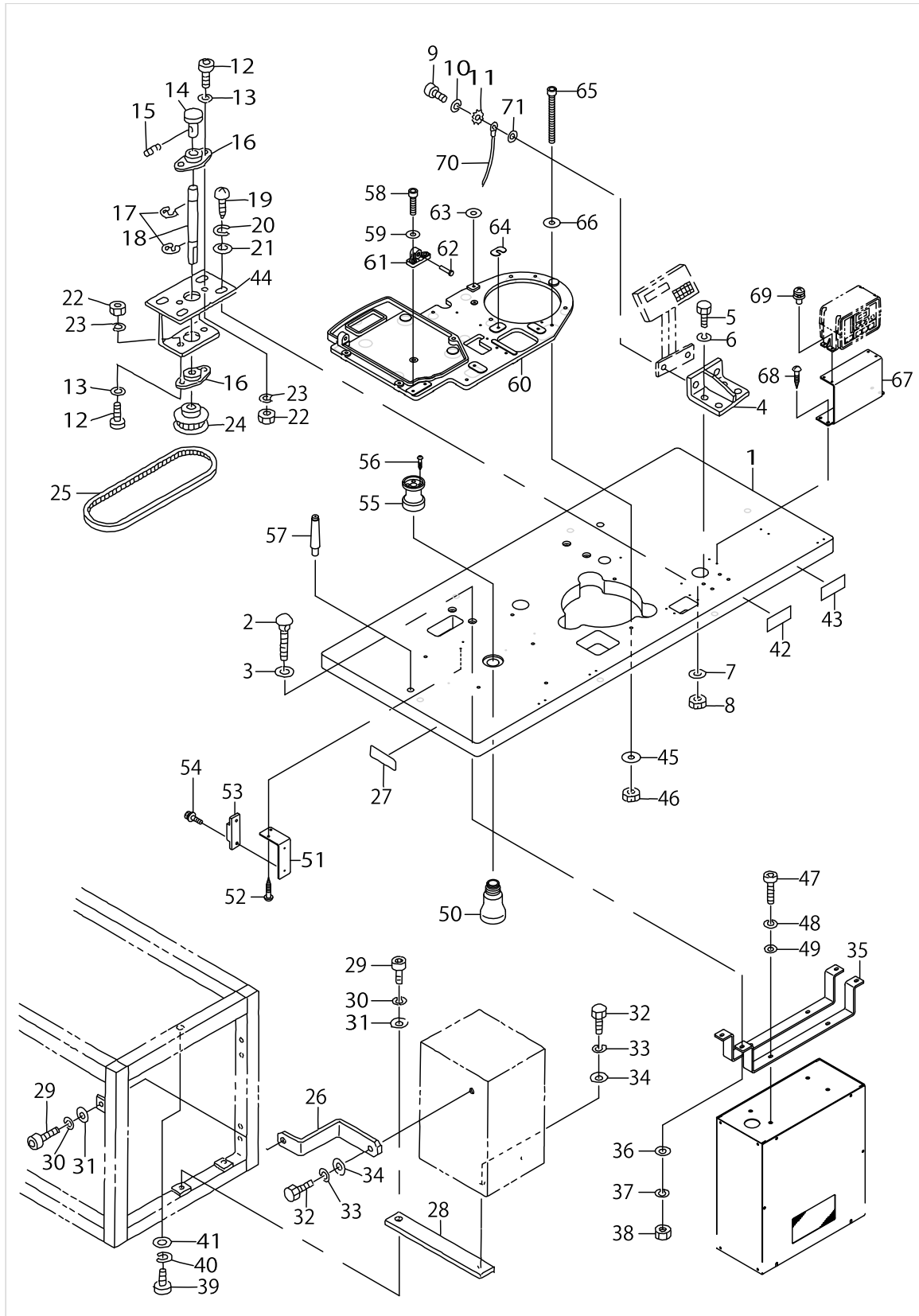
# STACKER CYLINDER COMPONENTS



STACKER CYLINDER COMPONENTS

| No. | Supply Code | Parts No.   | Replacement | Parts name                   | Remarks | Choice | Step | Level | Cons | Qty | Rep. QTY |
|-----|-------------|-------------|-------------|------------------------------|---------|--------|------|-------|------|-----|----------|
| 1   |             | G5204164000 |             | CLOTH PRESSER                |         |        |      |       |      | 1   |          |
| 2   |             | G5216164000 |             | STACKER RING                 |         |        |      |       |      | 5   |          |
| 3   |             | G5205164000 |             | CLOTH PRESSER                |         |        |      |       |      | 1   |          |
| 4   |             | G5208164000 |             | BAR LOCKER                   |         |        |      |       |      | 2   |          |
| 5   |             | G5221164000 |             | KNOB                         |         |        |      |       |      | 2   |          |
| 6   |             | G5206164000 |             | CLOTH PAYMENT                |         |        |      |       |      | 1   |          |
| 7   | D           | G5207164000 |             | CLOTH PAYMENT                |         |        |      |       |      | 1   |          |
| 8   |             | G5218164000 |             | BEARING                      |         |        |      |       |      | 2   |          |
| 9   |             | G2543270000 |             | SHAFT STOP COLLAR A          |         |        |      |       |      | 2   |          |
| 10  |             | SM8040402TP |             | SCREW M4X0.7 L=4             |         |        |      |       |      | 4   |          |
| 11  |             | G5204171000 |             | LINK BOLL                    |         |        |      |       |      | 2   |          |
| 12  |             | WS0820002KN |             | SPRING WASHER M8             |         |        |      |       |      | 2   |          |
| 13  |             | WP0841601SC |             | WASHER 8.4X17.4X1.6          |         |        |      |       |      | 2   |          |
| 14  |             | NM6080003SC |             | NUT M8                       |         |        |      |       |      | 2   |          |
| 15  |             | G61081640A0 |             | CLOTH SWEEPING CYLINDER ASM. |         |        |      |       |      | 1   |          |
| 16  |             | PC015108000 |             | SPEED CONTROLLER             |         |        |      |       |      | 4   |          |
| 17  |             | G61091640A0 |             | CLOTH PRESSER CYLINDER ASM.  |         |        |      |       |      | 1   |          |

# MACHINE TABLE COMPONENTS

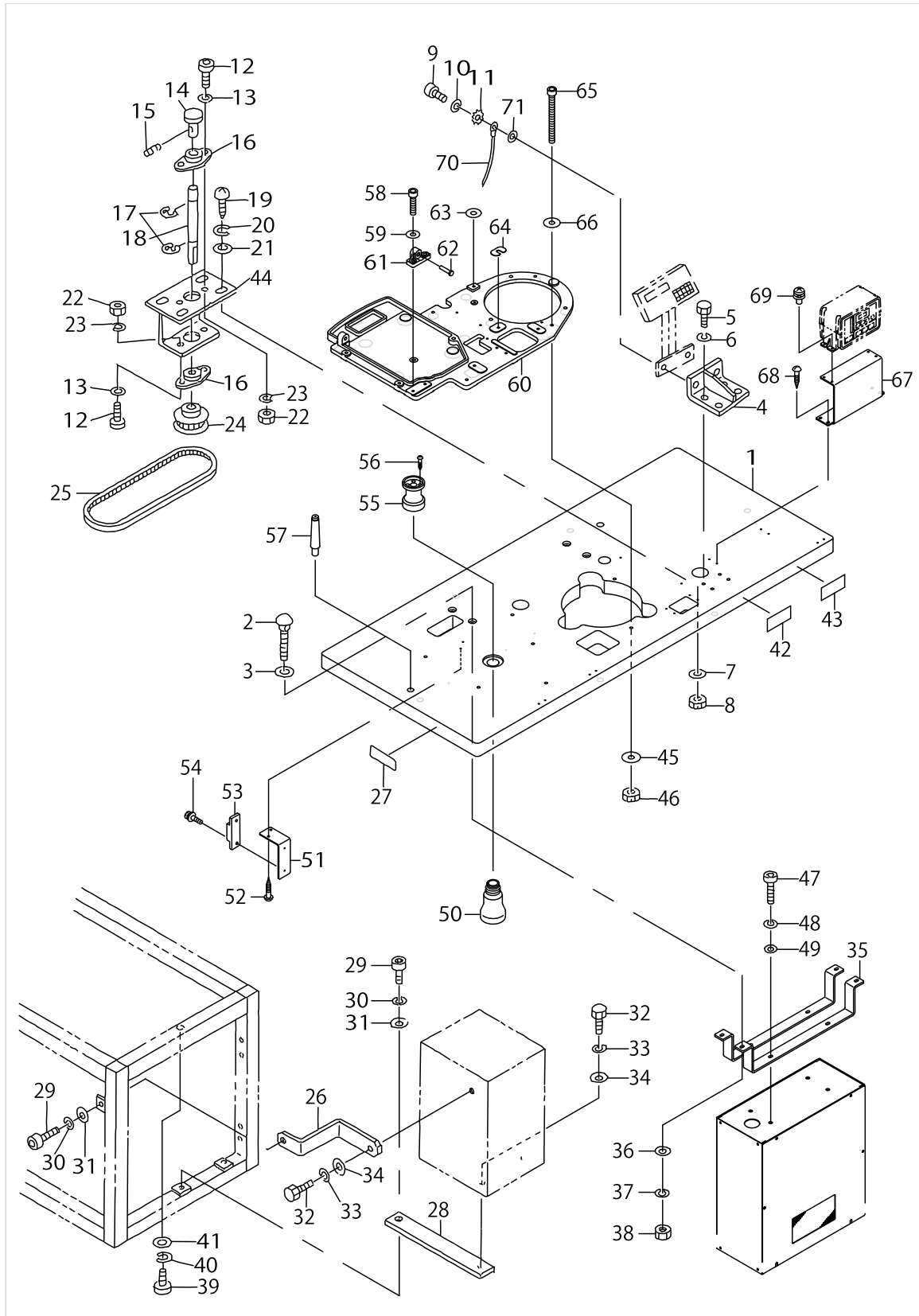


MACHINE TABLE COMPONENTS

| No. | Supply Code | Parts No.   | Replacement | Parts name                    | Remarks | Choice | Step | Level | Cons | Qty | Rep. QTY |
|-----|-------------|-------------|-------------|-------------------------------|---------|--------|------|-------|------|-----|----------|
| 1   |             | G5402164B00 |             | TABLE                         |         |        |      |       |      | 1   |          |
| 2   |             | MTJMS000060 |             | BOLT                          |         |        |      |       |      | 4   |          |
| 3   |             | WP0850002SP |             | WASHER 8.5X18X1.6             |         |        |      |       |      | 4   |          |
| 4   |             | G5406164000 |             | OPERATION PANEL BRACKET       |         |        |      |       |      | 1   |          |
| 5   |             | SM9066503SC |             | SCREW M6 L=65                 |         |        |      |       |      | 4   |          |
| 6   |             | WS0610002KN |             | SPRING WASHER 6.1X12.2X1.5    |         |        |      |       |      | 4   |          |
| 7   |             | WP0641601SC |             | WASHER                        |         |        |      |       |      | 4   |          |
| 8   |             | NM6060001SC |             | NUT M6                        |         |        |      |       |      | 4   |          |
| 9   |             | SM6061202TN |             | BOLT                          |         |        |      |       |      | 2   |          |
| 10  |             | WS0610002KN |             | SPRING WASHER 6.1X12.2X1.5    |         |        |      |       |      | 2   |          |
| 11  |             | WT0640001KN |             | TOOTH WASHER                  |         |        |      |       |      | 2   |          |
| 12  |             | SM6051202TP |             | SCREW M5X0.8 L=12             |         |        |      |       |      | 4   |          |
| 13  |             | WP0531001SC |             | WASHER                        |         |        |      |       |      | 4   |          |
| 14  |             | 16561904    |             | MOTOR KNOB                    |         |        |      |       |      | 1   |          |
| 15  |             | SM8050602TP |             | SCREW M5 L=6                  |         |        |      |       |      | 1   |          |
| 16  |             | G5420164000 |             | FLANGE                        |         |        |      |       |      | 2   |          |
| 17  |             | RE0600000K0 |             | E-RING 6                      |         |        |      |       |      | 2   |          |
| 18  | D           | G5419164000 |             | SHAFT                         |         |        |      |       |      | 1   |          |
| 19  | D           | SK3381301SC |             | WOOD SCREW                    |         |        |      |       |      | 4   |          |
| 20  |             | WS0410002KN |             | SPRING WASHER                 |         |        |      |       |      | 4   |          |
| 21  |             | WP0430801SC |             | WASHER 4.3X9X0.8              |         |        |      |       |      | 4   |          |
| 22  |             | NM6050001SC |             | NUT M5                        |         |        |      |       |      | 4   |          |
| 23  |             | WS0510002KN |             | SPRING WASHER                 |         |        |      |       |      | 4   |          |
| 24  |             | G5418164000 |             | SULLEY                        |         |        |      |       |      | 1   |          |
| 25  |             | G5421164000 |             | ROTATION BELT                 |         |        |      |       |      | 1   |          |
| 26  |             | G5423164000 |             | FIXED PLATE                   |         |        |      |       |      | 1   |          |
| 27  |             | G5042164A00 |             | NAME PLATE                    |         |        |      |       |      | 1   |          |
| 28  | D           | G5421162000 |             | CONTROL BOX INS-TALLING PLATE |         |        |      |       |      | 2   |          |
| 29  |             | SM6082002TN |             | SCREW M8 L=20                 |         |        |      |       |      | 3   |          |
| 30  |             | WS0820002KN |             | SPRING WASHER M8              |         |        |      |       |      | 3   |          |
| 31  |             | WP0841601SC |             | WASHER 8.4X17.4X1.6           |         |        |      |       |      | 3   |          |
| 32  |             | SM9082003SC |             | SCREW M8 L=20                 |         |        |      |       |      | 3   |          |
| 33  |             | WS0820002KN |             | SPRING WASHER M8              |         |        |      |       |      | 3   |          |
| 34  |             | WP0841601SC |             | WASHER 8.4X17.4X1.6           |         |        |      |       |      | 3   |          |
| 35  |             | G5431164B00 |             | CONTROL BOX FITTING PLATE     |         |        |      |       |      | 2   |          |
| 36  |             | WP0641601SC |             | WASHER                        |         |        |      |       |      | 4   |          |
| 37  |             | WS0610002KN |             | SPRING WASHER 6.1X12.2X1.5    |         |        |      |       |      | 4   |          |
| 38  |             | NM6060001SC |             | NUT M6                        |         |        |      |       |      | 4   |          |
| 39  |             | SM6082002TN |             | SCREW M8 L=20                 |         |        |      |       |      | 6   |          |
| 40  |             | WS0820002KN |             | SPRING WASHER M8              |         |        |      |       |      | 6   |          |
| 41  |             | WP0841601SC |             | WASHER 8.4X17.4X1.6           |         |        |      |       |      | 6   |          |
| 42  |             | CM500100001 |             | CE MARKING LABEL              | FOR JE  |        |      |       |      | 1   |          |
| 43  |             | CM500000001 |             | POWER SOURCE INDICATION LABEL | FOR JE  |        |      |       |      | 1   |          |
| 44  |             | G5417164000 |             | BRACKET                       |         |        |      |       |      | 1   |          |
| 45  |             | WP0651646SC |             | WASHER                        |         |        |      |       |      | 6   |          |



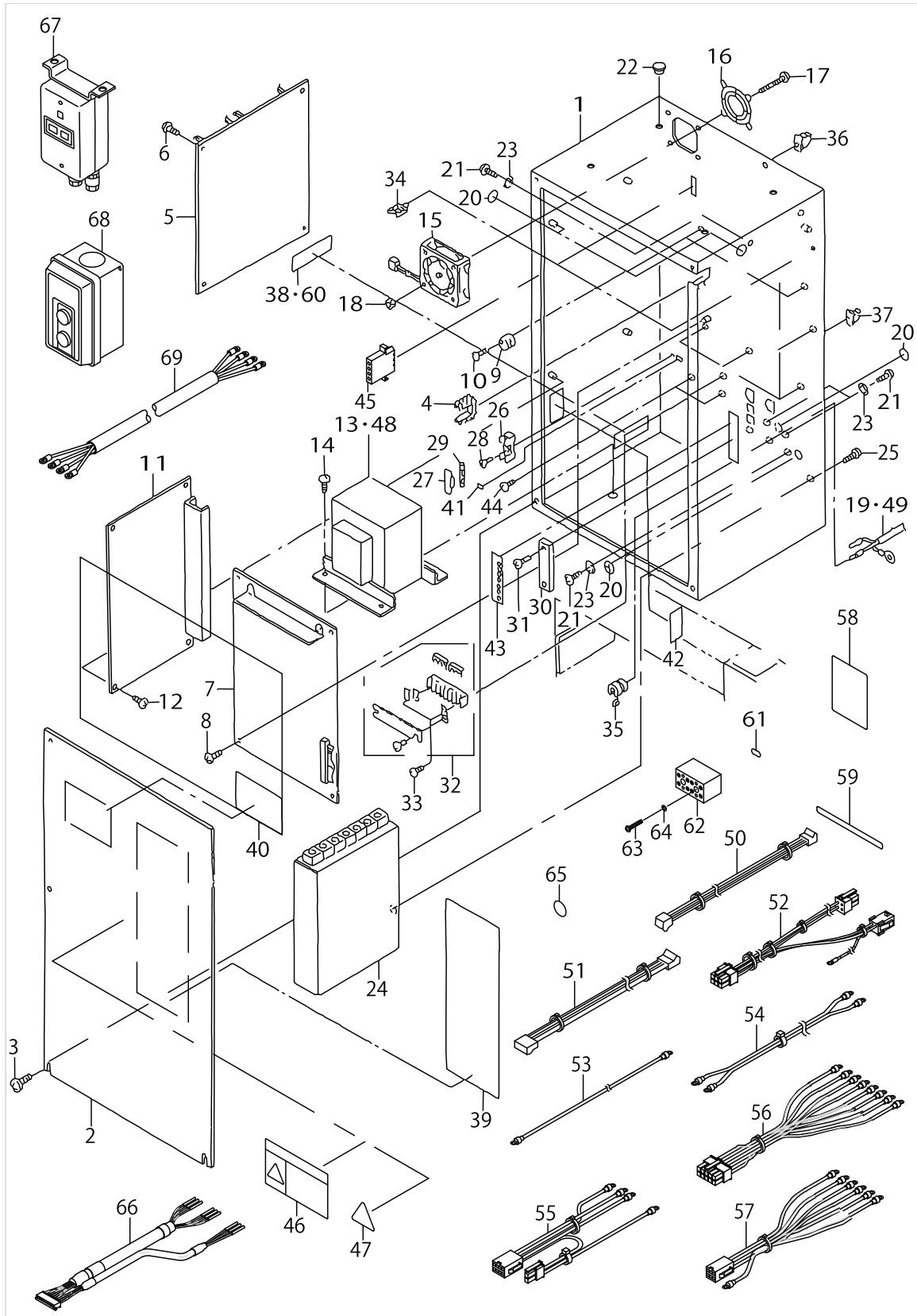
# MACHINE TABLE COMPONENTS



MACHINE TABLE COMPONENTS

| No. | Supply Code | Parts No.   | Replacement | Parts name                 | Remarks | Choice | Step | Level | Cons | Qty | Rep. QTY |
|-----|-------------|-------------|-------------|----------------------------|---------|--------|------|-------|------|-----|----------|
| 46  |             | NM6060001SC |             | NUT M6                     |         |        |      |       |      | 6   |          |
| 47  |             | SM9062003SC |             | SCREW M6 L=20              |         |        |      |       |      | 4   |          |
| 48  |             | WS0610002KN |             | SPRING WASHER 6.1X12.2X1.5 |         |        |      |       |      | 4   |          |
| 49  |             | WP0641600SC |             | WASHEW6.4X12.5X1.6         |         |        |      |       |      | 4   |          |
| 50  |             | B9121012000 |             | OIL CAN                    |         |        |      |       |      | 1   |          |
| 51  |             | G5432164B00 |             | TERMINAL BRACKET           |         |        |      |       |      | 1   |          |
| 52  |             | SK3412001SC |             | WOOD SCREW D=4.1 L=20      |         |        |      |       |      | 2   |          |
| 53  |             | HK044350120 |             | TERMINAL                   |         |        |      |       |      | 1   |          |
| 54  |             | SL4030881SC |             | SCREW M3X8                 |         |        |      |       |      | 2   |          |
| 55  |             | B8202205000 |             | OIL MANAGEMENT             |         |        |      |       |      | 1   |          |
| 56  |             | SK3311601SE |             | WOOD SCREW D=3.1 L=16      |         |        |      |       |      | 4   |          |
| 57  |             | 11280856    |             | FRAME SUPPORT BAR ASM.     |         |        |      |       |      | 1   |          |
| 58  |             | SM6062502TP |             | SCREW M6 L=25              |         |        |      |       |      | 2   |          |
| 59  |             | WP0611626SP |             | WASHER 15X6X1.6            |         |        |      |       |      | 2   |          |
| 60  | D           | GBR25001000 |             | BASE                       |         |        |      |       |      | 1   |          |
| 61  | D           | GBR25006000 |             | HEAD FIXING HINGE          |         |        |      |       |      | 1   |          |
| 62  |             | D2431555B00 |             | THREAD TRIMMER SHAFT       |         |        |      |       |      | 1   |          |
| 63  |             | WP0621036SP |             | WASHER                     |         |        |      |       |      | 1   |          |
| 64  |             | GBR25010000 |             | BODY FRAME SPACER A        |         |        |      |       |      | 3   |          |
| 65  |             | SM6066552TP |             | BOLT                       |         |        |      |       |      | 6   |          |
| 66  |             | WP0612056SD |             | WASHER 6.1X18.5X2          |         |        |      |       |      | 6   |          |
| 67  |             | G5430164B00 |             | OPERATION BOX FITTING BASE |         |        |      |       |      | 1   |          |
| 68  |             | SK3412001SC |             | WOOD SCREW D=4.1 L=20      |         |        |      |       |      | 4   |          |
| 69  |             | SL4041091SC |             | SCREW M4 L=10              |         |        |      |       |      | 4   |          |
| 70  | D           | G67041640A0 |             | EARTH CORD ASM.            |         |        |      |       |      | 2   |          |
| 71  |             | WP0641601SC |             | WASHER                     |         |        |      |       |      | 2   |          |

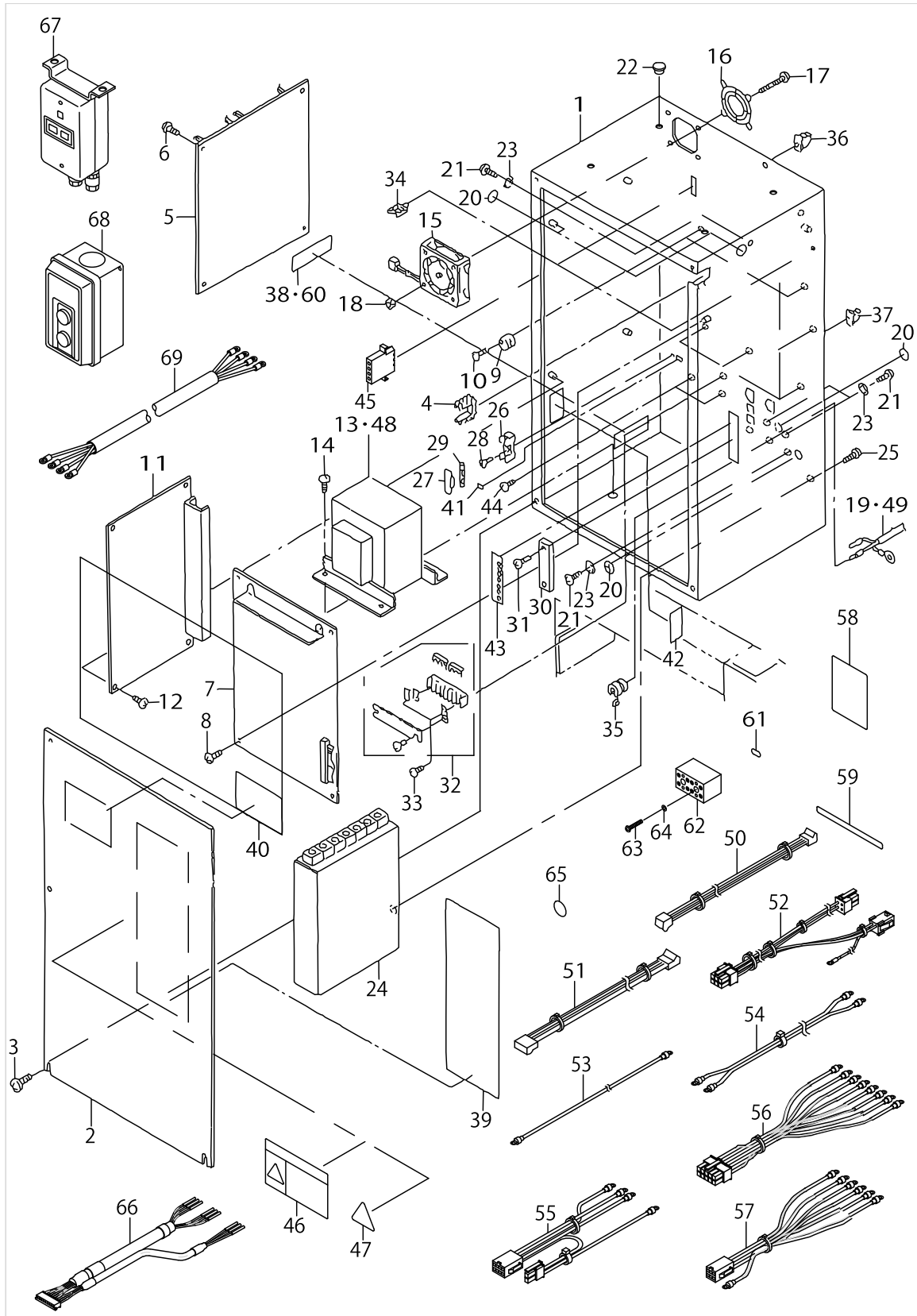
# CONTROL BOX COMPONENTS



CONTROL BOX COMPONENTS

| No. | Supply Code | Parts No.    | Replacement | Parts name                   | Remarks       | Choice | Step | Level | Cons | Qty | Rep. QTY |
|-----|-------------|--------------|-------------|------------------------------|---------------|--------|------|-------|------|-----|----------|
| 1   |             | M1001544000A |             | CONTROL BOX FRAME            |               |        |      |       |      | 1   |          |
| 2   |             | M10025440A0  |             | FRAME CONTROL BOX COVER ASM. |               |        |      |       |      | 1   |          |
| 3   |             | SM0040601SA  |             | SCREW                        |               |        |      |       |      | 6   |          |
| 4   |             | M1004540000  |             | FREE BUSHING, A              |               |        |      |       |      | 1   |          |
| 5   | D           | M8601543EA0  |             | CPU CIRCUIT BOARD ASM. E     |               |        |      |       |      | 1   |          |
| 6   |             | HX00269000B  |             | SPACER                       |               |        |      |       |      | 4   |          |
| 7   | D           | M8602544DA0  |             | I/O CIRCUIT BOARD ASM. D     |               |        |      |       |      | 1   |          |
| 8   |             | HX00269000B  |             | SPACER                       |               |        |      |       |      | 4   |          |
| 9   |             | M1004544000A |             | CIRCUIT BOARD SUPPORT        |               |        |      |       |      | 2   |          |
| 10  |             | SL4031891SC  |             | SCREW M3 L=18                |               |        |      |       |      | 2   |          |
| 11  | D           | M8603544AA0  |             | POWER CIRCUIT BOARD ASM.     |               |        |      |       |      | 1   |          |
| 12  |             | HX00269000B  |             | SPACER                       |               |        |      |       |      | 4   |          |
| 13  | D           | M85105440A0  |             | TRANSFORMER ASM.             | EXCEPT FOR JE |        |      |       |      | 1   |          |
| 14  |             | SL4051091SC  |             | SCREW M5X0.8 L=10            |               |        |      |       |      | 4   |          |
| 15  | D           | M85115440A0  |             | DC FAN ASM.                  |               |        |      |       |      | 1   |          |
| 16  |             | HM0003800A0  |             | FINGER GUARD                 |               |        |      |       |      | 1   |          |
| 17  |             | SM4043601SN  |             | SCREW M4X0.7 L=36            |               |        |      |       |      | 4   |          |
| 18  |             | NM3040520SF  |             | FLANGE NUT M4                |               |        |      |       |      | 4   |          |
| 19  | D           | M85215400A0  |             | POWER SOURCE CORD ASM.       | EXCEPT FOR JE |        |      |       |      | 1   |          |
| 20  | R           | 10004109     | 22901805    | GROUND MARK                  |               |        |      |       |      | 3   | 1.00     |
| 21  |             | SL4041081SF  |             | SCREW M4 L=10                |               |        |      |       |      | 10  |          |
| 22  |             | TA0800504R0  |             | PLUG D=8 L=4.5               |               |        |      |       |      | 4   |          |
| 23  |             | WT0430001KN  |             | TOOTHED WASHER               |               |        |      |       |      | 10  |          |
| 24  |             | HM000570010  |             | DRIVER                       |               |        |      |       |      | 1   |          |
| 25  |             | SL4041081SF  |             | SCREW M4 L=10                |               |        |      |       |      | 2   |          |
| 26  |             | HF005111000  |             | FUSE HOLDER                  |               |        |      |       |      | 1   |          |
| 27  |             | HF00511000B  |             | FUSEHOLDERCOVER              |               |        |      |       |      | 1   |          |
| 28  |             | SM4041001SC  |             | SCREW M4X0.7 L=10            |               |        |      |       |      | 1   |          |
| 29  |             | E9602701000  |             | FUSE 4A                      |               |        |      |       |      | 1   |          |
| 30  | D           | HK017150070  |             | TERMINAL BASE 7P             | EXCEPT FOR JE |        |      |       |      | 1   |          |
| 31  |             | SL4031681SF  |             | SCREW M3 L=16                | EXCEPT FOR JE |        |      |       |      | 2   |          |
| 32  | D           | HK044450060  |             | TERMINAL BASE                |               |        |      |       |      | 1   |          |
| 33  |             | SL4031481SF  |             | SCREW M3 L=14                |               |        |      |       |      | 2   |          |
| 34  | D           | HX00222000A  |             | CABLE CLAMP                  |               |        |      |       |      | 5   |          |
| 35  |             | HX004100000  |             | BUSH                         |               |        |      |       |      | 1   |          |
| 36  |             | HX000240000  |             | CORD HOLDER                  |               |        |      |       |      | 1   |          |
| 37  |             | HX00024000C  |             | CORD CLAMP                   |               |        |      |       |      | 1   |          |
| 38  |             | M1010544000  |             | CONTROL BOX PLATE            | EXCEPT FOR JE |        |      |       |      | 1   |          |
| 39  |             | M1020544000  |             | SEAL, A                      |               |        |      |       |      | 1   |          |
| 40  |             | M1022543000  |             | SEAL, B                      |               |        |      |       |      | 1   |          |
| 41  |             | M1022544000  |             | F6 SEAL                      |               |        |      |       |      | 1   |          |
| 42  |             | M1021544000  |             | SEAL                         |               |        |      |       |      | 1   |          |
| 43  |             | M1021540000  |             | SEAL                         |               |        |      |       |      | 1   |          |
| 44  |             | SL4040691SC  |             | SCREW M4 L=6                 |               |        |      |       |      | 2   |          |
| 45  | D           | M9620110000  |             | RECEPTACLE                   |               |        |      |       |      | 1   |          |
| 46  |             | CM300100101  |             | DANGER LABEL (SMALL)         | FOR JAPAN     |        |      |       |      | 1   |          |

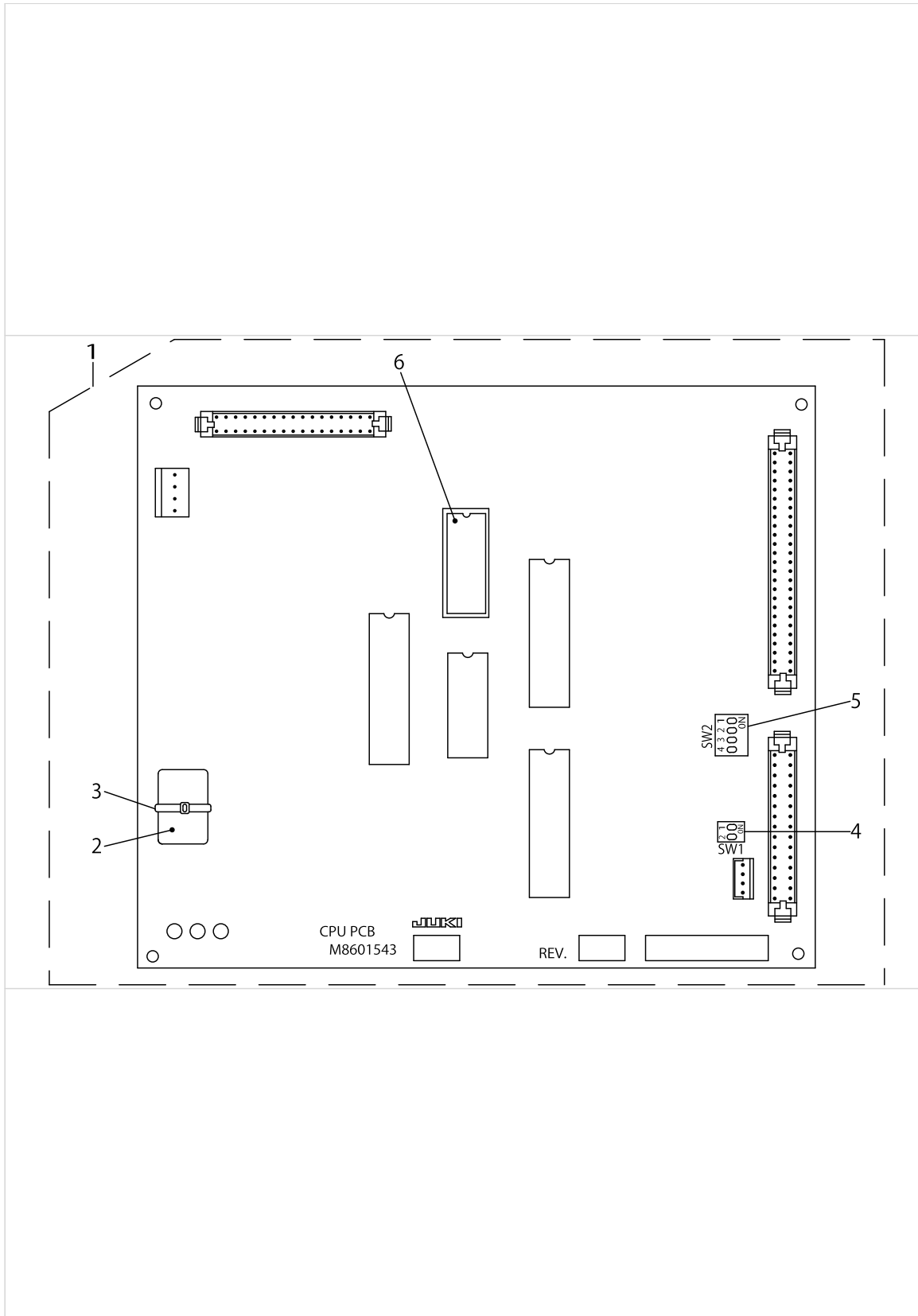
# CONTROL BOX COMPONENTS



CONTROL BOX COMPONENTS

| No. | Supply Code | Parts No.   | Replacement | Parts name                 | Remarks           | Choice | Step | Level | Cons | Qty | Rep. QTY |
|-----|-------------|-------------|-------------|----------------------------|-------------------|--------|------|-------|------|-----|----------|
| 47  |             | CM300100001 |             | LABEL                      | EXCEPT F-OR JAPAN |        |      |       |      | 1   |          |
| 48  |             | M8510544BA0 |             | TRANSFORMER B ASM.         | FOR JE            |        |      |       |      | 1   |          |
| 49  |             | M85295440A0 |             | POWER SOURCE CORD B ASM.   | FOR JE            |        |      |       |      | 1   |          |
| 50  | D           | M85205440A0 |             | POWER SOURCE CORD ASM.     |                   |        |      |       |      | 1   |          |
| 51  |             | M85215440A0 |             | POWER SOURCE CORD ASM. (1) |                   |        |      |       |      | 1   |          |
| 52  |             | M85225440A0 |             | POWER SOURCE CORD (2)      |                   |        |      |       |      | 1   |          |
| 53  |             | M85245440A0 |             | RELAY CORD ASM.            |                   |        |      |       |      | 1   |          |
| 54  |             | M85255440A0 |             | DRIVER POWER SOURCE CORD   |                   |        |      |       |      | 1   |          |
| 55  |             | M85265440A0 |             | POWER SOURCE CORD ASM.     |                   |        |      |       |      | 1   |          |
| 56  |             | M85245400A0 |             | DRIVER CONNCTING CORD ASM. |                   |        |      |       |      | 1   |          |
| 57  | D           | M85255400A0 |             | CONNECTING CORD ASM.       |                   |        |      |       |      | 1   |          |
| 58  |             | G8015397000 |             | LABEL C                    | FOR JE            |        |      |       |      | 1   |          |
| 59  |             | M3007519000 |             | LABEL                      | FOR JE            |        |      |       |      | 1   |          |
| 60  |             | M1010544B00 |             | CONTROL BOX NAME PLATE     | FOR JE            |        |      |       |      | 1   |          |
| 61  |             | CM200100001 |             | PE MARK LABEL              | FOR JE            |        |      |       |      | 1   |          |
| 62  |             | HK054250040 |             | TERMINAL BASE              | FOR JE            |        |      |       |      | 2   |          |
| 63  |             | SM4031851SR |             | SCREW                      | FOR JE            |        |      |       |      | 4   |          |
| 64  |             | WS0310702KS |             | SPRING WASHER              | FOR JE            |        |      |       |      | 4   |          |
| 65  |             | M3002518A00 |             | LABEL                      |                   |        |      |       |      | 1   |          |
| 66  |             | G6102164BA0 |             | J1 CONNECTING CORD ASM.    |                   |        |      |       |      | 1   |          |
| 67  | R           | HA00303000A | M85065220A0 | SWITCH                     | FOR 380V,JE       |        |      |       |      | 1   | 1.00     |
| 68  |             | MTK440VSW00 |             | BUTTON SWITCH              | FOR 200V~240V     |        |      |       |      | 1   |          |
| 69  |             | M85285750A0 |             | POWER SOURCE CABLE ASM.    |                   |        |      |       |      | 1   |          |

# CPU CIRCUIT BOARD COMPONENTS

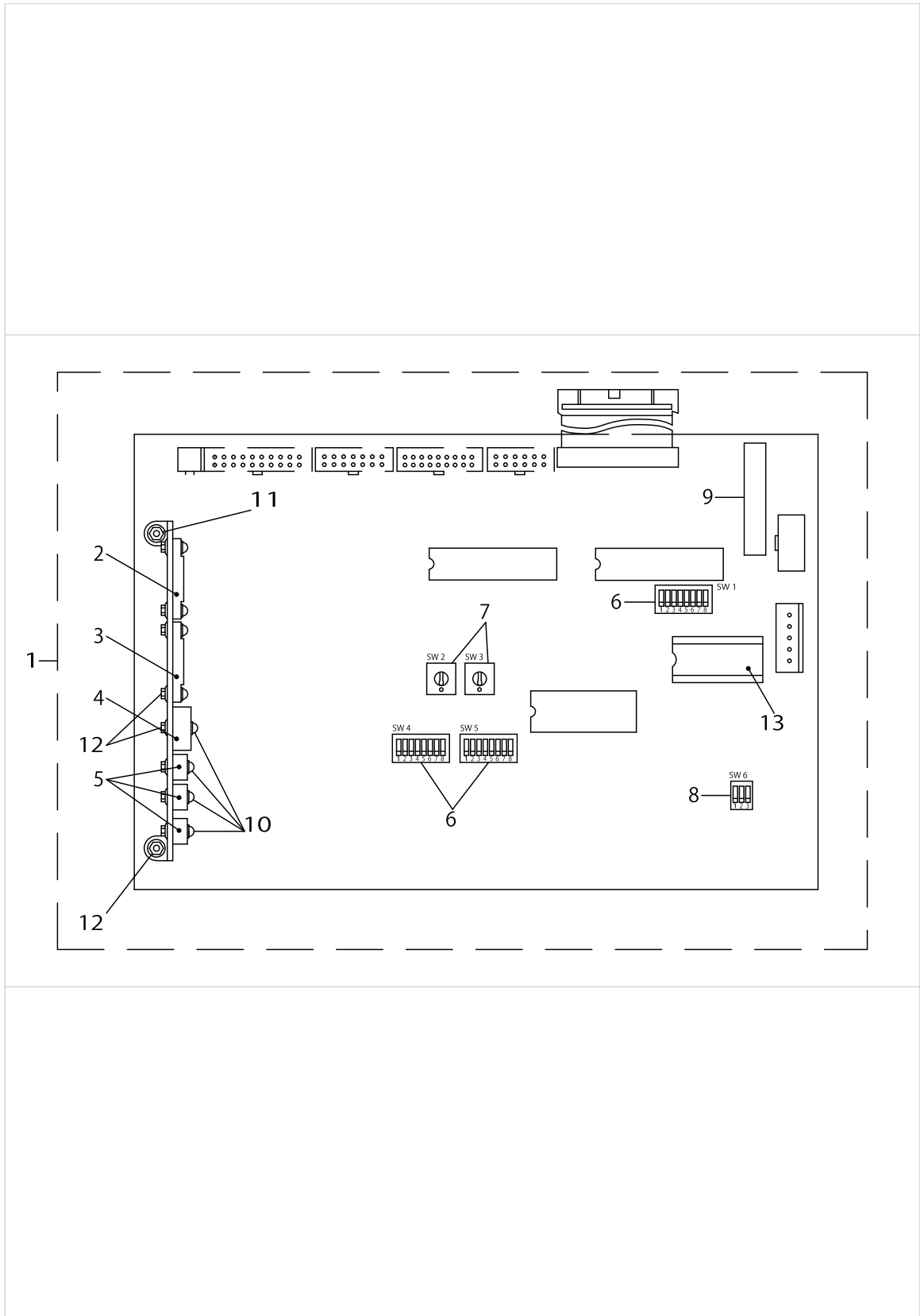


CPU CIRCUIT BOARD COMPONENTS

| No. | Supply Code | Parts No.   | Replacement | Parts name               | Remarks | Choice | Step | Level | Cons | Qty | Rep. QTY |
|-----|-------------|-------------|-------------|--------------------------|---------|--------|------|-------|------|-----|----------|
| 1   | D           | M8601543EA0 |             | CPU CIRCUIT BOARD ASM. E |         |        |      |       |      | 1   |          |
| 2   | D           | HX001160000 |             | BATTERY 3.6V             |         |        |      | *     |      | 1   |          |
| 3   |             | EA9500B0100 |             | CABLE BAND               |         |        |      | *     |      | 1   |          |
| 4   | D           | HA001080020 |             | DIP SWITCH               |         |        |      | *     |      | 1   |          |
| 5   |             | HA001080040 |             | DIP SWITCH 4             |         |        |      | *     |      | 1   |          |
| 6   | D           | HL008420043 |             | IC                       |         |        |      | *     |      | 1   |          |



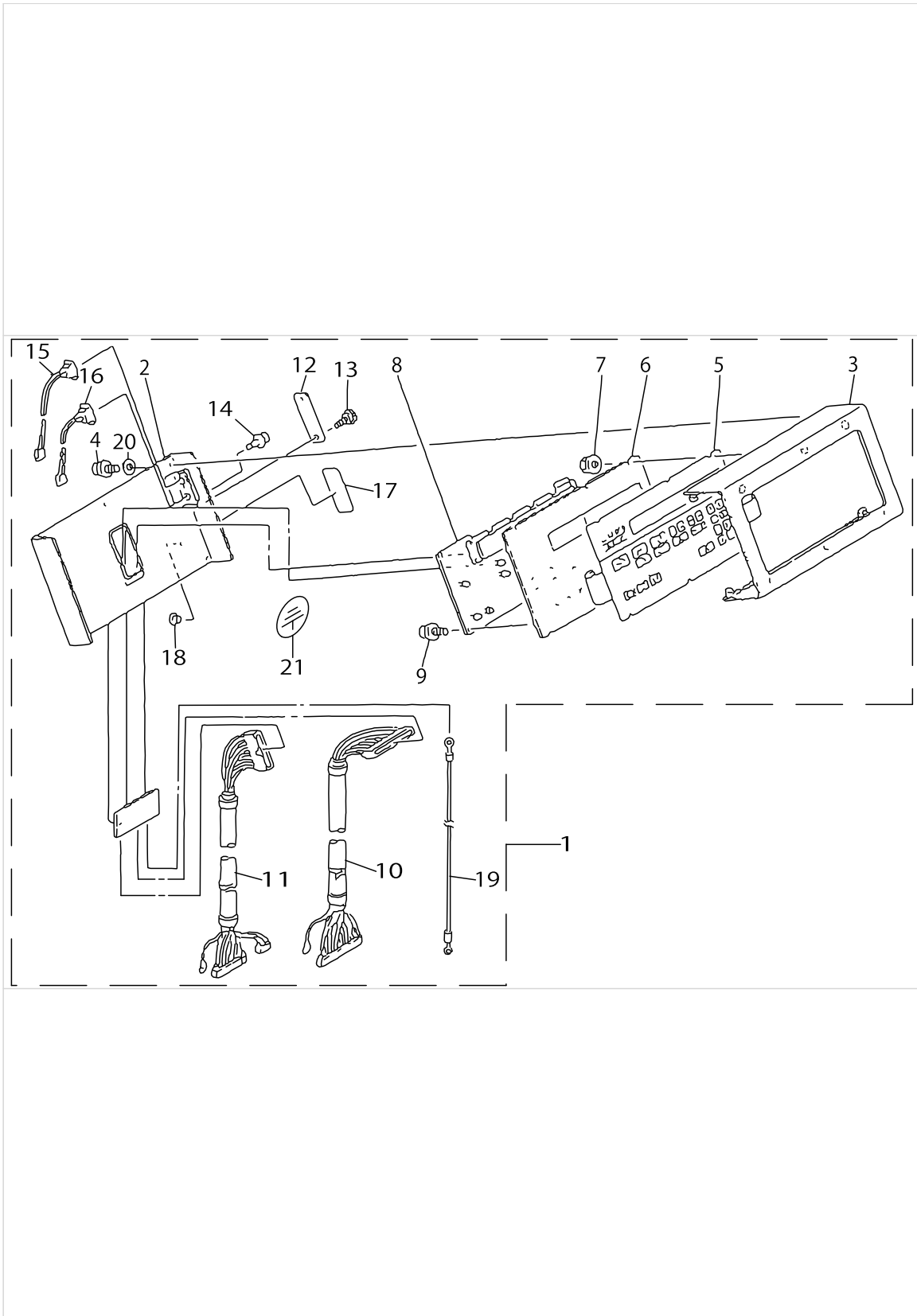
# I/O CIRCUIT BOARD COMPONENTS



I/O CIRCUIT BOARD COMPONENTS

| No. | Supply Code | Parts No.   | Replacement | Parts name               | Remarks | Choice | Step | Level | Cons | Qty | Rep. QTY |
|-----|-------------|-------------|-------------|--------------------------|---------|--------|------|-------|------|-----|----------|
| 1   | D           | M8602544DA0 |             | I/O CIRCUIT BOARD ASM. D |         |        |      |       |      | 1   |          |
| 2   |             | HT003920000 |             | TRANSISTOR               |         |        |      | *     |      | 1   |          |
| 3   |             | HT003640000 |             | TRANSISTOR ARRAY         |         |        |      | *     |      | 1   |          |
| 4   |             | HT002570000 |             | TRANSISTOR               |         |        |      | *     |      | 1   |          |
| 5   |             | HT003570000 |             | TRANSISTOR               |         |        |      | *     |      | 3   |          |
| 6   |             | HA001080080 |             | DIP SWITCH 8P            |         |        |      | *     |      | 3   |          |
| 7   | D           | HA002330000 |             | ROTARY SWITCH            |         |        |      | *     |      | 2   |          |
| 8   | D           | HA001080030 |             | DIP SWITCH               |         |        |      | *     |      | 1   |          |
| 9   |             | HA000500000 |             | ROTARY SWITCH            |         |        |      | *     |      | 1   |          |
| 10  |             | SL4031291SC |             | SCREW M3X12              |         |        |      | *     |      | 4   |          |
| 11  |             | SL4031081SF |             | SCREW M3 L=10            |         |        |      | *     |      | 6   |          |
| 12  |             | NM3034000SF |             | FLANGE NUT               |         |        |      | *     |      | 10  |          |
| 13  |             | HL008420044 |             | IC                       |         |        |      | *     |      | 1   |          |

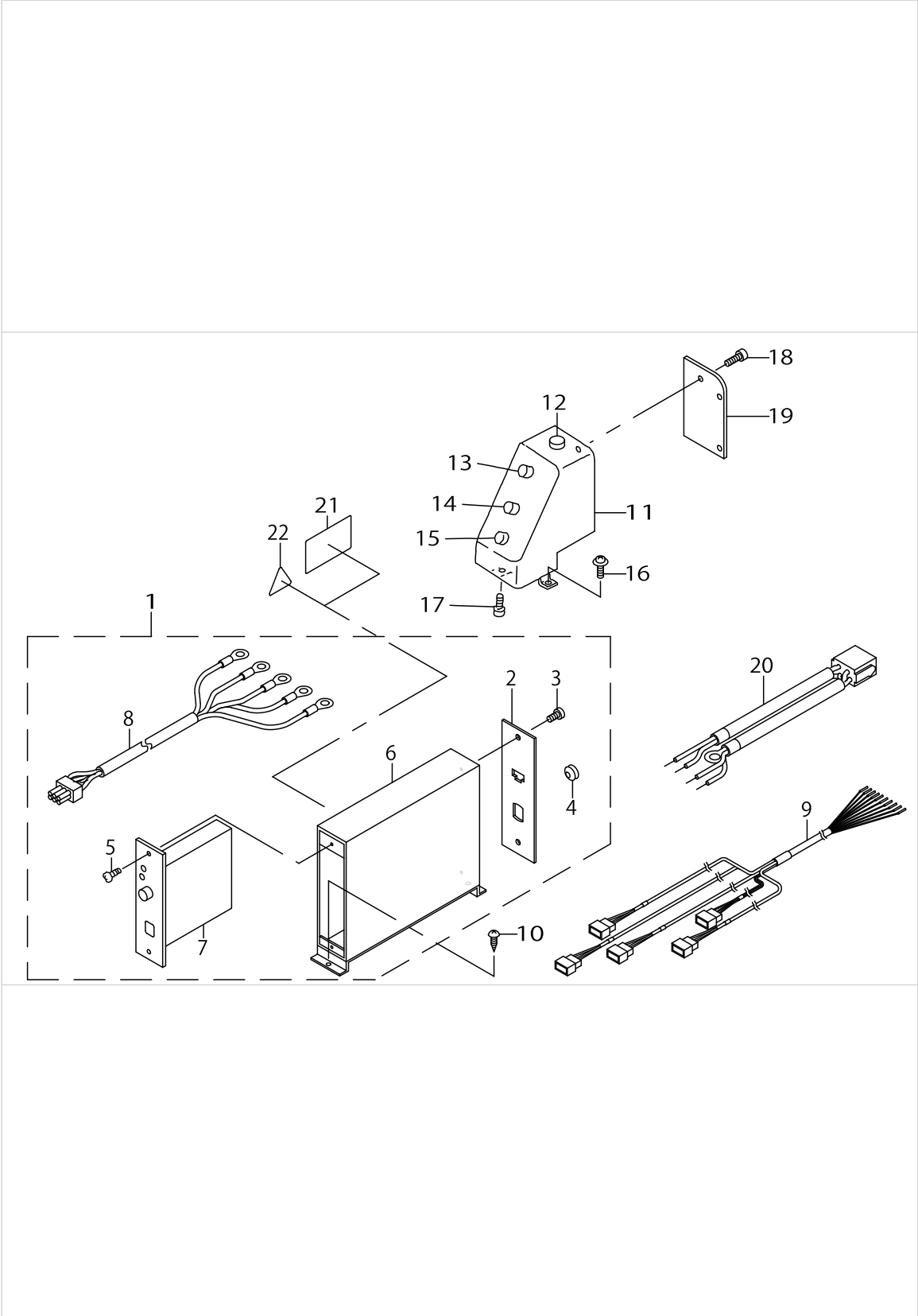
PANEL BOX COMPONENTS



PANEL BOX COMPONENTS

| No. | Supply Code | Parts No.   | Replacement  | Parts name                | Remarks | Choice | Step | Level | Cons | Qty | Rep. QTY |
|-----|-------------|-------------|--------------|---------------------------|---------|--------|------|-------|------|-----|----------|
| 1   | D           | M85305440A0 |              | PANEL BOX ASM.            |         |        |      |       |      | 1   |          |
| 2   |             | M1030544000 |              | FRAME PANEL BOX           |         |        |      | *     |      | 1   |          |
| 3   |             | M1031544000 |              | FRAME PANEL BOX COVER     |         |        |      | *     |      | 1   |          |
| 4   |             | SL4030881SF |              | SCREW M3 L=8              |         |        |      | *     |      | 5   |          |
| 5   |             | M8630544000 |              | PANEL MEMBRANE SWITCH     |         |        |      | *     |      | 1   |          |
| 6   | D           | M1032540000 |              | REINFORCEMENT PLATE       |         |        |      | *     |      | 1   |          |
| 7   |             | NM3034000SF |              | FLANGE NUT                |         |        |      | *     |      | 6   |          |
| 8   | R           | M8631543AA0 | M8631543AA0A | PANEL CIRCUIT BOARD ASM.  |         |        |      | *     |      | 1   | 1.00     |
| 9   |             | SL4030881SF |              | SCREW M3 L=8              |         |        |      | *     |      | 5   |          |
| 10  | D           | M85405440A0 |              | CONNECTING CABLE ASM. 50P |         |        |      | *     |      | 1   |          |
| 11  | D           | M85415440A0 |              | CONNECTING CABLE ASM. 34P |         |        |      | *     |      | 1   |          |
| 12  |             | M1033543000 |              | COVER                     |         |        |      | *     |      | 1   |          |
| 13  |             | G6010003000 |              | KNOB SCREW                |         |        |      | *     |      | 2   |          |
| 14  |             | SL4020881SC |              | SCREW M2 X 8              |         |        |      | *     |      | 4   |          |
| 15  |             | M85425430A0 |              | FUNCTION SELECT SW ASM. 1 |         |        |      | *     |      | 1   |          |
| 16  |             | M85435430A0 |              | FUNCTION SELECT SW ASM. 2 |         |        |      | *     |      | 1   |          |
| 17  |             | M1040544000 |              | FUNCTION SELECT SEAL      |         |        |      | *     |      | 1   |          |
| 18  |             | TA0800504R0 |              | PLUG D=8 L=4.5            |         |        |      | *     |      | 1   |          |
| 19  |             | M85425440A0 |              | EARTH CORD ASM.           |         |        |      | *     |      | 1   |          |
| 20  |             | WT0320001KN |              | WASHER                    |         |        |      | *     |      | 6   |          |
| 21  |             | E9567319000 |              | EARTH MARK                |         |        |      | *     |      | 1   |          |

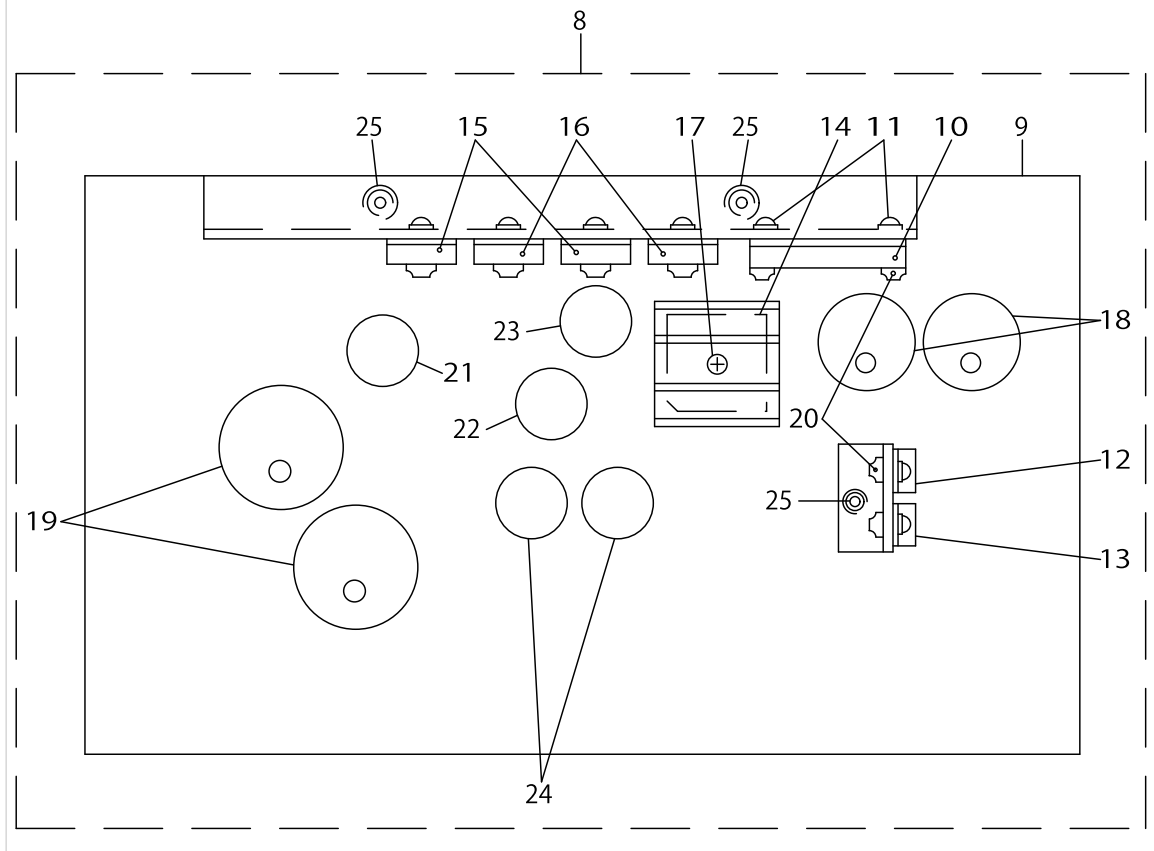
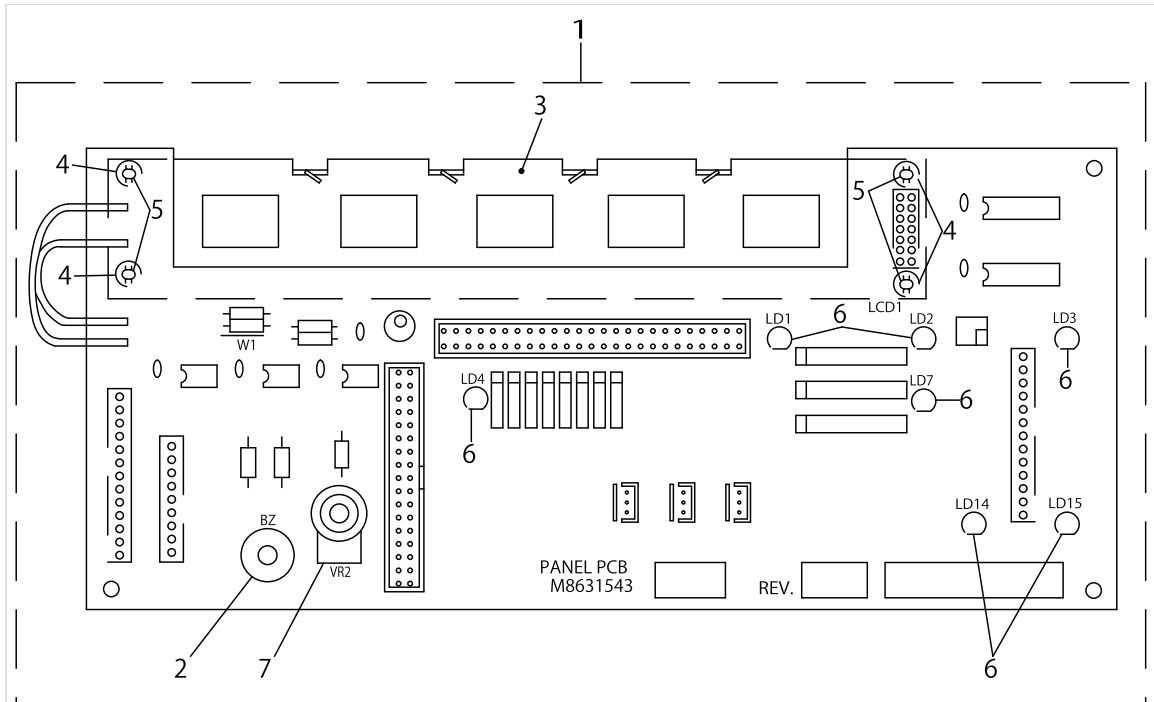
BR-CONTROL BOX COMPONENTS



BR-CONTROL BOX COMPONENTS

| No. | Supply Code | Parts No.   | Replacement | Parts name              | Remarks   | Choice | Step | Level | Cons | Qty | Rep. QTY |
|-----|-------------|-------------|-------------|-------------------------|-----------|--------|------|-------|------|-----|----------|
| 1   |             | GBR118010A0 |             | P/F CONTROLLER COMPL.   |           |        |      |       |      | 1   |          |
| 2   |             | GBR10802000 |             | P/F CONTROLLER BACK LID |           |        |      | *     |      | 1   |          |
| 3   |             | SL4040691SC |             | SCREW M4 L=6            |           |        |      | *     |      | 2   |          |
| 4   |             | HX000980000 |             | CORD BUSH               |           |        |      | *     |      | 1   |          |
| 5   |             | SM5040601SC |             | SCREW M4X0.7 L=6        |           |        |      | *     |      | 2   |          |
| 6   |             | GBR11801000 |             | P/F CONTROLLER FRAME    |           |        |      | *     |      | 1   |          |
| 7   | D           | GBR118110A0 |             | P/F CONTROLLER ASM.     |           |        |      | *     |      | 1   |          |
| 8   | D           | GBR108210A0 |             | P/F POWER CORD ASM.     |           |        |      | *     |      | 1   |          |
| 9   | D           | GBR118220A0 |             | CONNECTING CORD ASM.    |           |        |      |       |      | 1   |          |
| 10  | D           | SK3381301SC |             | WOOD SCREW              |           |        |      |       |      | 2   |          |
| 11  |             | GBR11781000 |             | PANEL BOX               |           |        |      |       |      | 1   |          |
| 12  |             | GBR117860A0 |             | BREAKER ASM.            |           |        |      |       |      | 1   |          |
| 13  |             | GBR117850A0 |             | BUTTON SUPPLY SW ASM.   |           |        |      |       |      | 1   |          |
| 14  |             | GBR117830A0 |             | STEP-KEEPER SW ASM.     |           |        |      |       |      | 1   |          |
| 15  |             | GBR117840A0 |             | EXHAUST SW ASM.         |           |        |      |       |      | 1   |          |
| 16  |             | SL4041091SC |             | SCREW M4 L=10           |           |        |      |       |      | 1   |          |
| 17  |             | SM6040802TN |             | SCREW                   |           |        |      |       |      | 1   |          |
| 18  |             | SL4030681SC |             | SCREW M3 L=6            |           |        |      |       |      | 3   |          |
| 19  |             | GBR10782000 |             | PANEL BOX BACK COVER    |           |        |      |       |      | 1   |          |
| 20  |             | GBR218460A0 |             | CABLE ASM.              |           |        |      |       |      | 1   |          |
| 21  |             | CM300100101 |             | DANGER LABEL (SMALL)    | FOR JAPAN |        |      |       |      | 1   |          |
| 22  |             | CM300100001 |             | LABEL                   | FOR JE    |        |      |       |      | 1   |          |

# PANEL CIRCUIT BOARD COMPONENTS

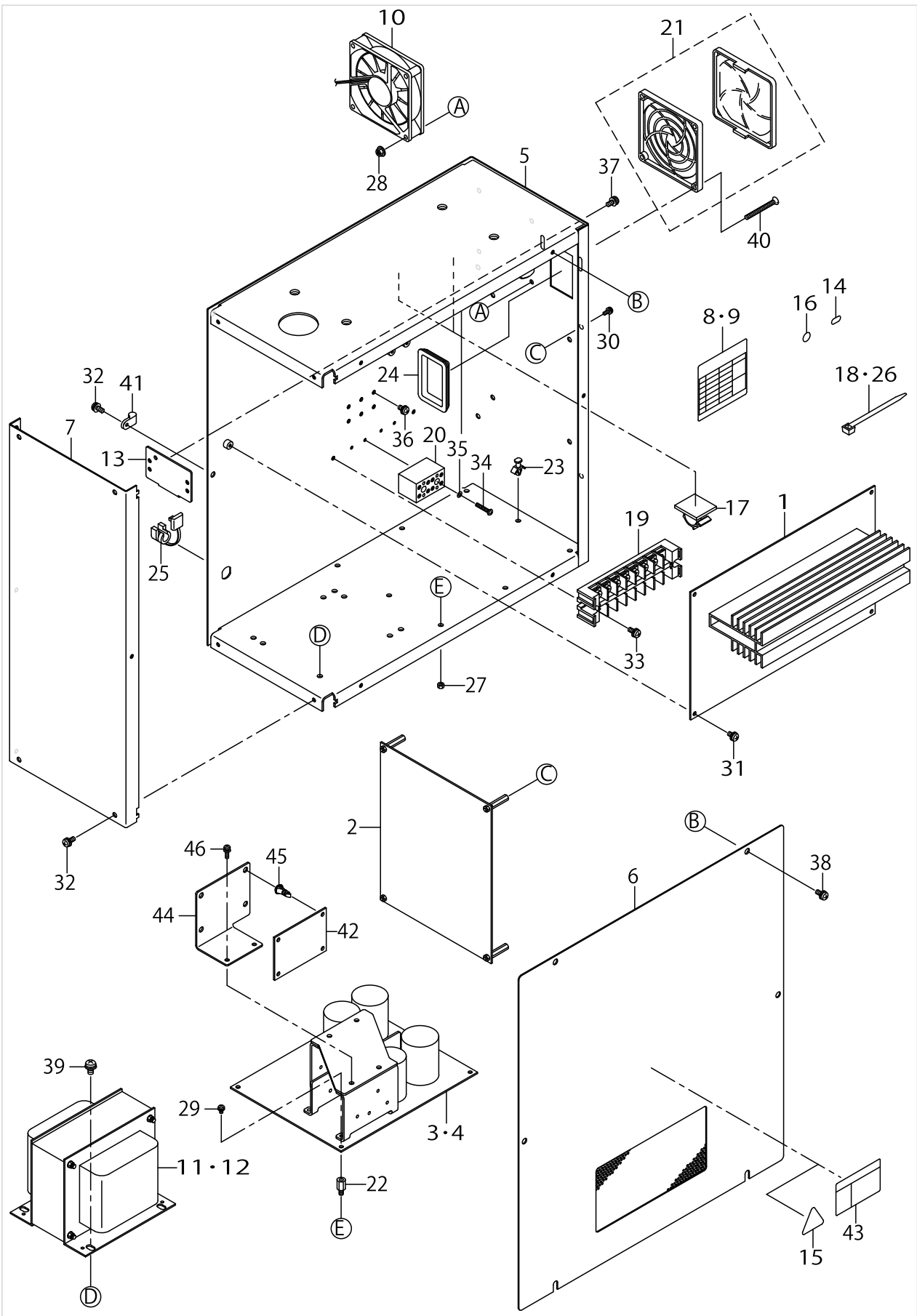


PANEL CIRCUIT BOARD COMPONENTS

| No. | Supply Code | Parts No.   | Replacement  | Parts name               | Remarks | Choice | Step | Level | Cons | Qty | Rep. QTY |
|-----|-------------|-------------|--------------|--------------------------|---------|--------|------|-------|------|-----|----------|
| 1   | R           | M8631543AA0 | M8631543AA0A | PANEL CIRCUIT BOARD ASM. |         |        |      |       |      | 1   | 1.00     |
| 2   | D           | HX002400000 |              | BUZZER                   |         |        |      | *     |      | 1   |          |
| 3   | D           | HG004350000 |              | LIQUID CRYSTAL INDICATOR |         |        |      | *     |      | 1   |          |
| 4   |             | G6312166000 |              | LCD SPACER               |         |        |      | *     |      | 4   |          |
| 5   | D           | HX00094000C |              | NYLON RIVET              |         |        |      | *     |      | 4   |          |
| 6   |             | HG004750000 |              | LIGHT EMITTING DIODE     |         |        |      | *     |      | 7   |          |
| 7   | D           | HR030301030 |              | VOLUME (10K)             |         |        |      | *     |      | 1   |          |
| 8   | D           | M8603544AA0 |              | POWER CIRCUIT BOARD ASM. |         |        |      |       |      | 1   |          |
| 9   | R           | M8603544000 | M86035440A0  | POWER BOARD              |         |        |      | *     |      | 1   | 1.00     |
| 10  | D           | HL006940000 |              | IC (STR-9005)            |         |        |      | *     |      | 1   |          |
| 11  |             | SL4031481SF |              | SCREW M3 L=14            |         |        |      | *     |      | 6   |          |
| 12  |             | HL011820000 |              | REGULATOR                |         |        |      | *     |      | 1   |          |
| 13  | D           | HL011800000 |              | REGULATOR                |         |        |      | *     |      | 1   |          |
| 14  | D           | HG002650000 |              | DIODE BRIDGE (S10VB20)   |         |        |      | *     |      | 1   |          |
| 15  |             | HG003780000 |              | DIODE (FMM-32R)          |         |        |      | *     |      | 2   |          |
| 16  | D           | HG003770000 |              | DIODE (FMM-32S)          |         |        |      | *     |      | 2   |          |
| 17  |             | SL4031281SF |              | SCREW M3 L=12            |         |        |      | *     |      | 1   |          |
| 18  |             | HC027501030 |              | CAPACITOR 10000MF 16V    |         |        |      | *     |      | 2   |          |
| 19  | D           | HC011504720 |              | CAPACITOR 4700MF 63V     |         |        |      | *     |      | 2   |          |
| 20  |             | NM3034000SF |              | FLANGE NUT               |         |        |      | *     |      | 8   |          |
| 21  | D           | EA9544B0200 |              | FUSE                     |         |        |      | *     |      | 1   |          |
| 22  |             | E9602701000 |              | FUSE 4A                  |         |        |      | *     |      | 1   |          |
| 23  |             | E8523304000 |              | FUSE 10A                 |         |        |      | *     |      | 1   |          |
| 24  |             | E9611601000 |              | FUSE 1A                  |         |        |      | *     |      | 2   |          |
| 25  |             | SL4031081SF |              | SCREW M3 L=10            |         |        |      | *     |      | 5   |          |



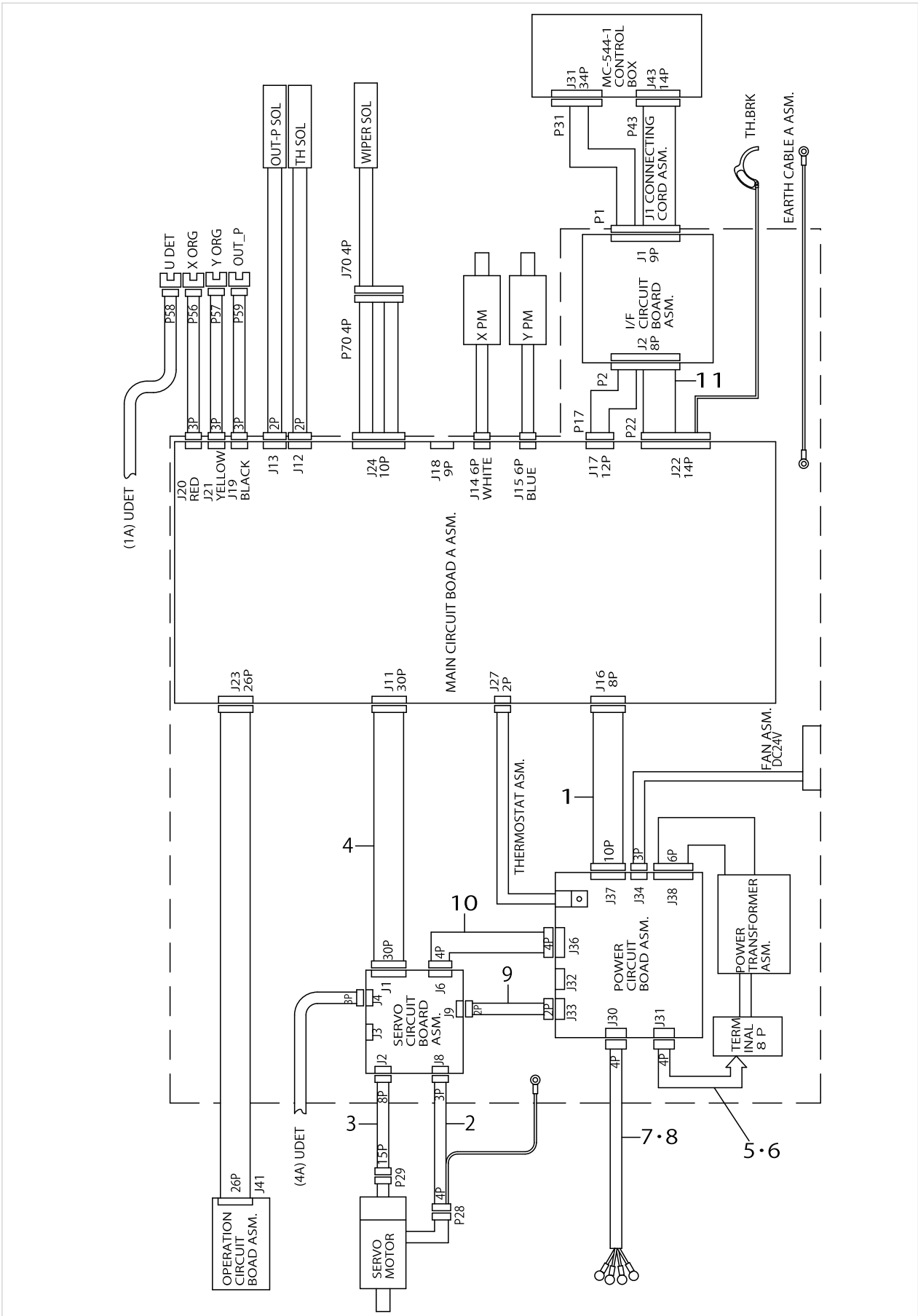
MC591 CONTROL BOX COMPONENTS



MC591 CONTROL BOX COMPONENTS

| No. | Supply Code | Parts No.    | Replacement | Parts name                  | Remarks               | Choice | Step | Level | Cons | Qty | Rep. QTY |
|-----|-------------|--------------|-------------|-----------------------------|-----------------------|--------|------|-------|------|-----|----------|
| 1   | D           | M8601590AB0  |             | MAIN CIRCUIT BOARD A ASM.   |                       |        |      |       |      | 1   |          |
| 2   | R           | M8602590AA0  | M8612590AA0 | SERVO CIRCUIT BOARD ASM., A |                       |        |      |       |      | 1   | 1.00     |
| 3   | R           | M86045900A0  | 40008075    | POWER CIRCUIT BOARD ASM.    | FOR 200V~240V         |        |      |       |      | 1   | 1.00     |
| 4   | R           | M8604590AA0  | 40008076    | POWER CIRCUIT BOARD ASM., A | FOR 380V              |        |      |       |      | 1   | 1.00     |
| 5   | R           | M1001590000  | 40098641    | CONTROL BOX                 |                       |        |      |       |      | 1   | 1.00     |
| 6   | R           | M10025800A0  | 40098646    | CONTROL BOX COVER ASM.      |                       |        |      |       |      | 1   | 1.00     |
| 7   | R           | M1003590000  | 40098642    | CONTROL BOX PANEL           |                       |        |      |       |      | 1   | 1.00     |
| 8   |             | M300359000A  |             | SEAL A                      | FOR 200V~240V         |        |      |       |      | 1   |          |
| 9   |             | M300258000B  |             | SEAL B                      | FOR 380V              |        |      |       |      | 1   |          |
| 10  |             | M85405900A0  |             | FAN ASM.                    |                       |        |      |       |      | 1   |          |
| 11  |             | M8901590AA0A |             | TRANSFORMER A ASM.          | FOR 200V~240V         |        |      |       |      | 1   |          |
| 12  |             | M8901590BA0A |             | TRANSFORMER B ASM.          | FOR 380V              |        |      |       |      | 1   |          |
| 13  |             | 17845009     |             | CORDFITTINGPLATE            |                       |        |      |       |      | 1   |          |
| 14  |             | CM200100001  |             | PE MARK LABEL               | FOR JE                |        |      |       |      | 1   |          |
| 15  |             | CM300100001  |             | LABEL                       | EXCEPT F-<br>OR JAPAN |        |      |       |      | 1   |          |
| 16  |             | E9567319000  |             | EARTH MARK                  |                       |        |      |       |      | 1   |          |
| 17  |             | E9609603000  |             | STICKER (LARGE)             |                       |        |      |       |      | 2   |          |
| 18  |             | EA9500B0100  |             | CABLE BAND                  |                       |        |      |       |      | 1   |          |
| 19  |             | HK026650080  |             | TERMINAL BASE 8P            | FOR 200V~240V         |        |      |       |      | 1   |          |
| 20  |             | HK054250040  |             | TERMINAL BASE               | FOR 380V              |        |      |       |      | 2   |          |
| 21  |             | HM000860010  |             | FAN FILTER                  |                       |        |      |       |      | 1   |          |
| 22  |             | HX00056000B  |             | SPACER                      |                       |        |      |       |      | 4   |          |
| 23  |             | HX00147000C  |             | SPACER                      |                       |        |      |       |      | 4   |          |
| 24  |             | HX004070000  |             | BUSH                        |                       |        |      |       |      | 1   |          |
| 25  |             | HX004100000  |             | BUSH                        |                       |        |      |       |      | 1   |          |
| 26  |             | EA9500B0200  |             | CABLE BAND 150              |                       |        |      |       |      | 2   |          |
| 27  |             | NM3034000SF  |             | FLANGE NUT                  |                       |        |      |       |      | 4   |          |
| 28  |             | NM3040520SF  |             | FLANGE NUT M4               |                       |        |      |       |      | 2   |          |
| 29  |             | SL4030681SF  |             | SCREW M3 L=6                |                       |        |      |       |      | 4   |          |
| 30  |             | SL4030891SC  |             | SCREW M3X8                  |                       |        |      |       |      | 4   |          |
| 31  |             | SL4040881SF  |             | SCREW M4 L=8                |                       |        |      |       |      | 4   |          |
| 32  |             | SL4041091SC  |             | SCREW M4 L=10               |                       |        |      |       |      | 7   |          |
| 33  |             | SL4041081SF  |             | SCREW M4 L=10               | FOR 200V~240V         |        |      |       |      | 2   |          |
| 34  |             | SM4031851SR  |             | SCREW                       | FOR 380V              |        |      |       |      | 4   |          |
| 35  |             | WS0310702KS  |             | SPRING WASHER               | FOR 380V              |        |      |       |      | 4   |          |
| 36  |             | SL4040681SC  |             | COMBINATION SCREW M4 X 8    |                       |        |      |       |      | 4   |          |
| 37  |             | SL4041091SC  |             | SCREW M4 L=10               |                       |        |      |       |      | 2   |          |
| 38  |             | SL4041091SC  |             | SCREW M4 L=10               |                       |        |      |       |      | 6   |          |
| 39  | D           | SL4051081SF  |             | SCREW M5 L=10               |                       |        |      |       |      | 4   |          |
| 40  |             | SM1044050SM  |             | SCREW M4X0.7 L=40           |                       |        |      |       |      | 2   |          |
| 41  |             | HX00123000B  |             | CABLE CLIP                  |                       |        |      |       |      | 1   |          |
| 42  |             | M86515910A0  |             | I/F CIRCUIT BOARD ASM.      |                       |        |      |       |      | 1   |          |
| 43  |             | CM300100101  |             | DANGER LABEL (SMALL)        | FOR JAPAN             |        |      |       |      | 1   |          |
| 44  |             | M1001591000  |             | CIRCUIT BOARD FITTING PLATE |                       |        |      |       |      | 1   |          |
| 45  |             | HX00269000B  |             | SPACER                      |                       |        |      |       |      | 4   |          |
| 46  |             | SL4031281SF  |             | SCREW M3 L=12               |                       |        |      |       |      | 1   |          |

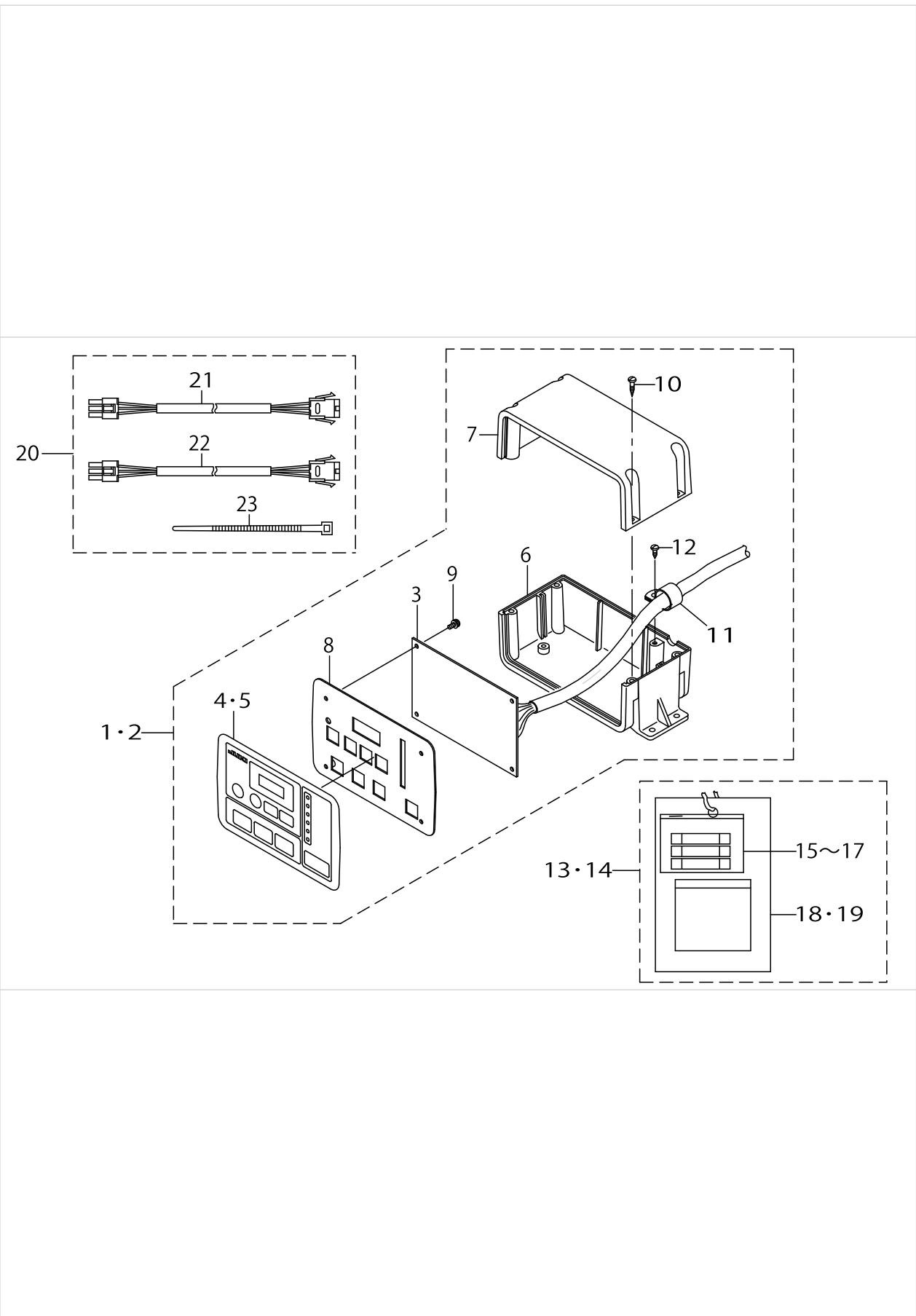
MC591 WIRING DIAGRAM



MC591 WIRING DIAGRAM

| No. | Supply Code | Parts No.   | Replacement | Parts name                         | Remarks       | Choice | Step | Level | Cons | Qty | Rep. QTY |
|-----|-------------|-------------|-------------|------------------------------------|---------------|--------|------|-------|------|-----|----------|
| 1   |             | M90015900A0 |             | MAIN POWER CORD ASM.               |               |        |      |       |      | 1   |          |
| 2   |             | M90035900A0 |             | SERVO MOTOR CABLE ASM.             |               |        |      |       |      | 1   |          |
| 3   |             | M90045900A0 |             | ENCODER CONN-<br>ECTING CABLE ASM. |               |        |      |       |      | 1   |          |
| 4   |             | M90085800A0 |             | SERVO SIGNAL CORD ASM.             |               |        |      |       |      | 1   |          |
| 5   |             | M90205800A0 |             | TRANSFORMER PO-<br>WER CORD ASM.   | FOR 200V~240V |        |      |       |      | 1   |          |
| 6   |             | M9020580AA0 |             | TRANSFORMER PO-<br>WER CORD ASM.,A | FOR 380V,JE   |        |      |       |      | 1   |          |
| 7   |             | M90225900A0 |             | POWER CORD ASM.                    | FOR 200V~240V |        |      |       |      | 1   |          |
| 8   |             | M90235900A0 |             | POWER CORD A ASM.                  | FOR 380V,JE   |        |      |       |      | 1   |          |
| 9   |             | M90025800A0 |             | SERVO POWER CORD ASM.,B            |               |        |      |       |      | 1   |          |
| 10  |             | M90315900A0 |             | SERVO POWER CORD ASM.,A            |               |        |      |       |      | 1   |          |
| 11  |             | M90515910A0 |             | J2 CONNECTOR CORD ASM.             |               |        |      |       |      | 1   |          |

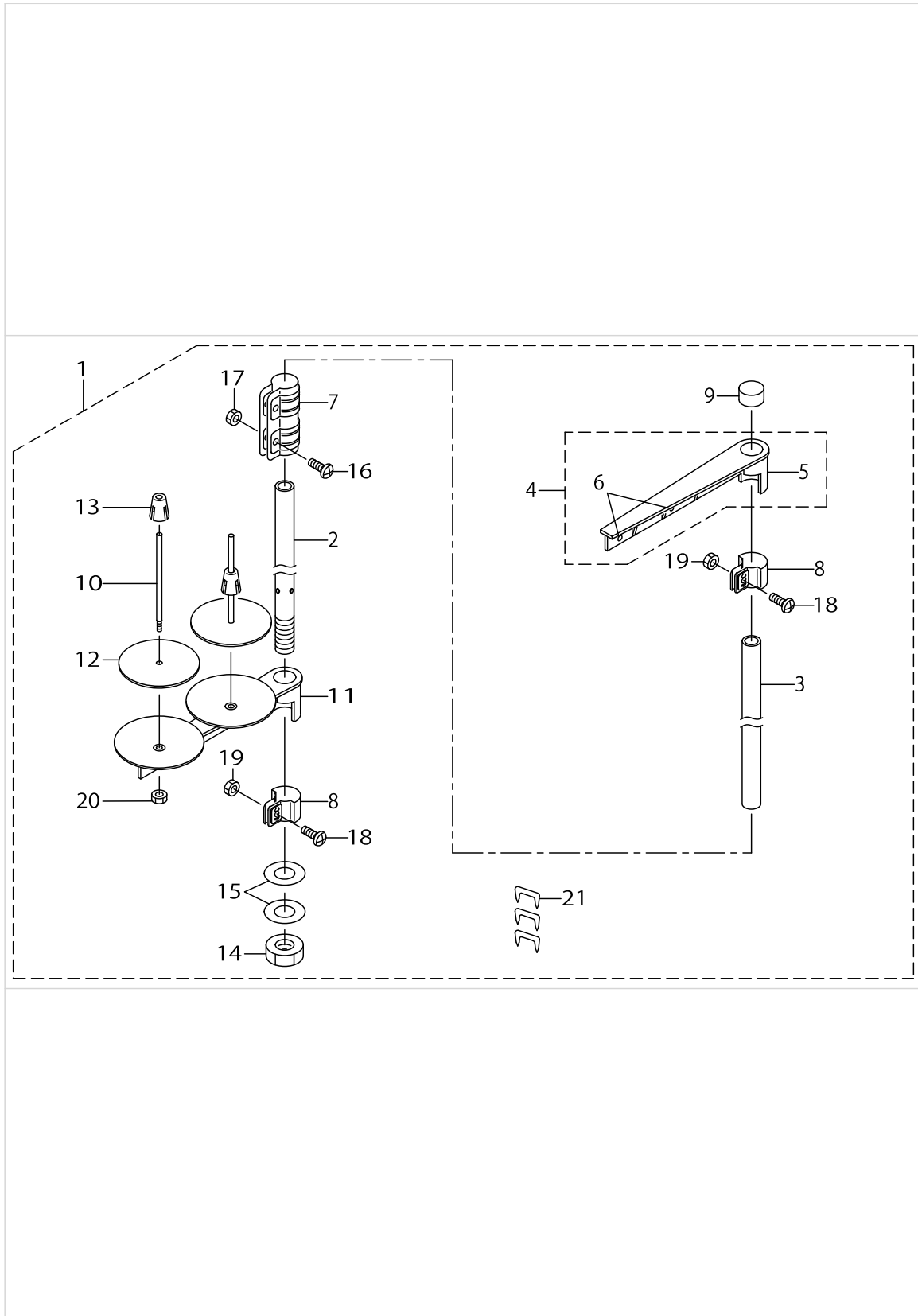
MC591 OPERATION BOX & ACCESSORIE COMPOENENTS



MC591 OPERATION BOX & ACCESSORIE COMPOENENTS

| No. | Supply Code | Parts No.   | Replacement | Parts name                   | Remarks                    | Choice | Step | Level | Cons | Qty | Rep. QTY |
|-----|-------------|-------------|-------------|------------------------------|----------------------------|--------|------|-------|------|-----|----------|
| 1   | D           | M8510590AA0 |             | OPERATION BOX A ASM.         | FOR JAPAN                  |        |      |       |      | 1   |          |
| 2   | D           | M8510590BA0 |             | OPERATION BOX B ASM.         | FOR EXPORT                 |        |      |       |      | 1   |          |
| 3   | D           | M86065900A0 |             | OPERATION CIRCUIT BOARD ASM. |                            |        |      | *     |      | 1   |          |
| 4   |             | M300259000A |             | OPERATION PANEL SHEET(JAPAN) | FOR JAPAN                  |        |      | *     |      | 1   |          |
| 5   |             | M300259000B |             | OPERATION PANEL SHEET(ENG)   | FOR EXPORT                 |        |      | *     |      | 1   |          |
| 6   |             | M1010590000 |             | OPERATION BOX A              |                            |        |      | *     |      | 1   |          |
| 7   |             | M1011590000 |             | OPERATION BOX B              |                            |        |      | *     |      | 1   |          |
| 8   | D           | M1012590000 |             | OPERATION PANEL PLATE        |                            |        |      | *     |      | 1   |          |
| 9   |             | SL4030881SF |             | SCREW M3 L=8                 |                            |        |      | *     |      | 4   |          |
| 10  |             | ST40316110R |             | TAPPING SCREW D=3 L=16       |                            |        |      | *     |      | 4   |          |
| 11  |             | EA9502B0500 |             | CABLE CLIP                   |                            |        |      | *     |      | 1   |          |
| 12  |             | SV4031006SR |             | SCREW M3 L=10                |                            |        |      | *     |      | 1   |          |
| 13  |             | M85995900A0 |             | ACCESSORIES PART ASM.        | FOR 200V~240V              |        |      |       |      | 1   |          |
| 14  |             | M8599590AA0 |             | ACCESSORIES PART A ASM.      | FOR 380V                   |        |      |       |      | 1   |          |
| 15  |             | HF001301000 |             | TIMING LAG FUSE              |                            |        |      | *     |      | 1   |          |
| 16  |             | HF0041080P0 |             | FUSE 8A                      |                            |        |      | *     |      | 1   |          |
| 17  |             | E8523304000 |             | FUSE 10A                     |                            |        |      | *     |      | 1   |          |
| 18  |             | M300451100A |             | VOLTAGE INDICATION CARD,A    | FOR 200V~240V              |        |      | *     |      | 1   |          |
| 19  |             | M3003580000 |             | VOLTAGE INDICATION CARD,B    | FOR 380V                   |        |      | *     |      | 1   |          |
| 20  |             | M85975900A0 |             | CABLE WHOLE ASM.             | FOR MARK-<br>ET ADAPTATION |        |      |       |      | 1   |          |
| 21  |             | M90515900A0 |             | CABLE ASM.                   |                            |        |      | *     |      | 1   |          |
| 22  |             | M90525900A0 |             | CABLE ASM.                   |                            |        |      | *     |      | 1   |          |
| 23  |             | EA9500B0200 |             | CABLE BAND 150               |                            |        |      | *     |      | 6   |          |

# THREAD STAND COMPONENTS

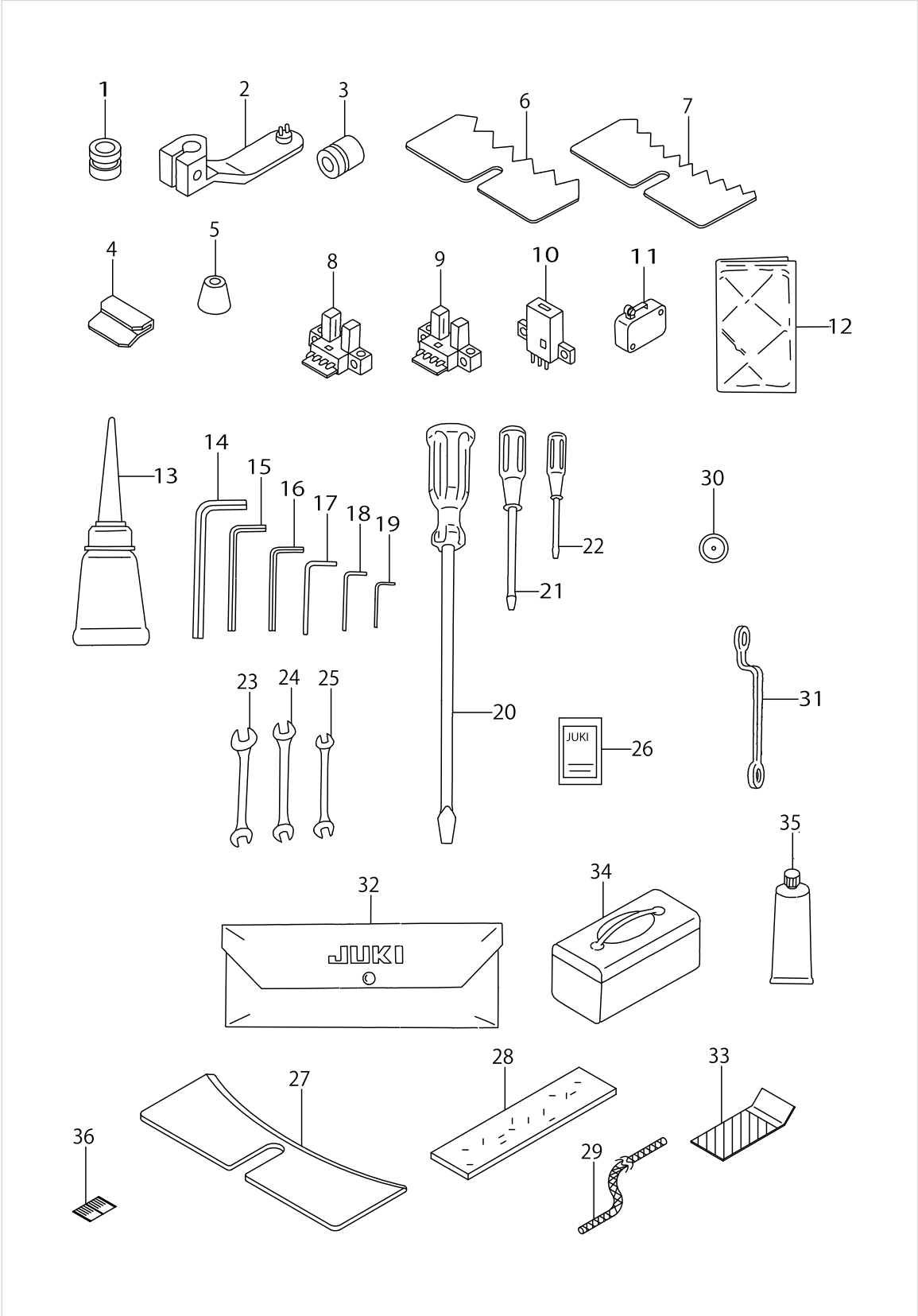


THREAD STAND COMPONENTS

| No. | Supply Code | Parts No.    | Replacement | Parts name             | Remarks | Choice | Step | Level | Cons | Qty | Rep. QTY |
|-----|-------------|--------------|-------------|------------------------|---------|--------|------|-------|------|-----|----------|
| 1   | R           | 11185055     | 40096354    | THREAD STAND ASM.      |         |        |      |       |      | 1   | 1.00     |
| 2   | R           | 11185105     | 40096354    | SPOOL REST ROD,LOWER   |         |        |      | *     |      | 1   | 1.00     |
| 3   | R           | 11185204     | 40096354    | SPOOL REST ROD,UPPER   |         |        |      | *     |      | 1   | 1.00     |
| 4   | R           | 11185352     | 40096354    | THREAD GUIDE ASM.      |         |        |      | *     |      | 1   | 1.00     |
| 5   |             | 11185303     |             | THREAD GUIDE           |         |        |      | *     |      | 1   |          |
| 6   | R           | B3319704L00  | 22931208    | THREAD GUIDE           |         |        |      | *     |      | 2   | 1.00     |
| 7   | R           | B3305704000A | 40096354    | SPOOL REST ROD JOINT   |         |        |      | *     |      | 1   | 1.00     |
| 8   | R           | 11185402     | 40096354    | THREAD GUIDE ARM JOINT |         |        |      | *     |      | 2   | 1.00     |
| 9   | R           | B3311704000  | 22931406    | SPOOL REST ROD CAP     |         |        |      | *     |      | 1   | 1.00     |
| 10  | R           | B3320704L00A | 40085790    | SPOOL PIN              |         |        |      | *     |      | 2   | 1.00     |
| 11  | D           | 11185006     |             | SPOOL REST ARM         |         |        |      | *     |      | 1   |          |
| 12  | D           | B3311012000  |             | SPOOL REST CUSHION     |         |        |      | *     |      | 2   |          |
| 13  | D           | 11185501     |             | SPOOL RETAINER         |         |        |      | *     |      | 2   |          |
| 14  | R           | B3317704000  | NM6160511SE | NUT                    |         |        |      | *     |      | 1   | 1.00     |
| 15  |             | WP1612616SE  |             | WASHER 16X30X2.6       |         |        |      | *     |      | 2   |          |
| 16  |             | SM4051405SE  |             | SCREW M5 L=14          |         |        |      | *     |      | 2   |          |
| 17  |             | NM6050001SE  |             | NUT M5                 |         |        |      | *     |      | 2   |          |
| 18  |             | SM4051405SE  |             | SCREW M5 L=14          |         |        |      | *     |      | 2   |          |
| 19  |             | NM6050001SE  |             | NUT M5                 |         |        |      | *     |      | 2   |          |
| 20  |             | NM6050001SE  |             | NUT M5                 |         |        |      | *     |      | 2   |          |
| 21  |             | MAO11532000  |             | CORD STAPLE            |         |        |      | *     |      | 3   |          |



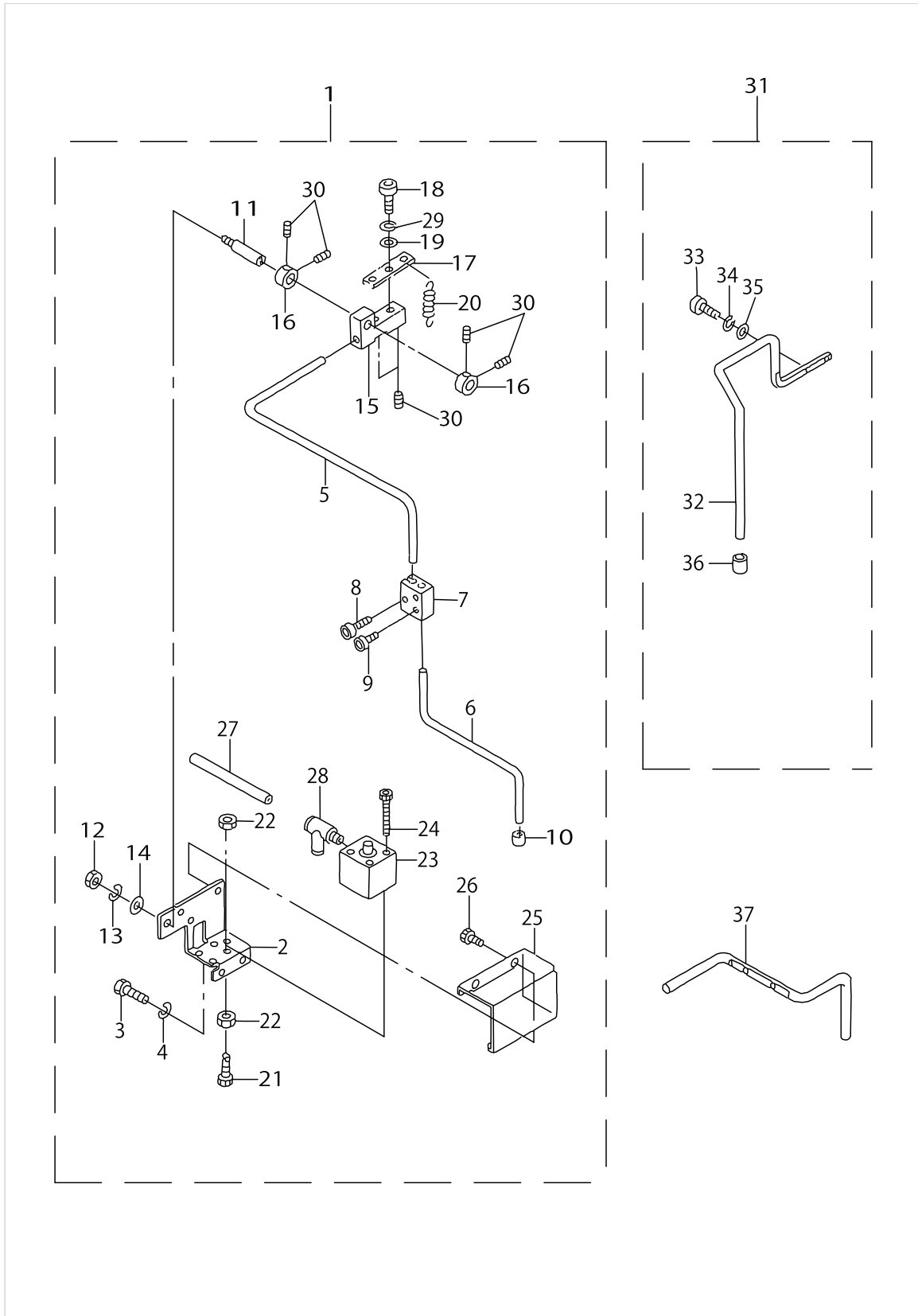
ACCESSORIES COMPONENTS



ACCESSORIES COMPONENTS

| No. | Supply Code | Parts No.   | Replacement | Parts name                 | Remarks                      | Choice | Step | Level | Cons | Qty | Rep. QTY |
|-----|-------------|-------------|-------------|----------------------------|------------------------------|--------|------|-------|------|-----|----------|
| 1   |             | 18200501    |             | WORK ATTACHMENT (SMALL)    |                              |        |      |       |      | 3   |          |
| 2   |             | 16558009    |             | BUTTON CARRIER B           |                              |        |      |       |      | 1   |          |
| 3   |             | 16558108    |             | RING, SMALL                |                              |        |      |       |      | 1   |          |
| 4   | D           | G5135164000 |             | WOMAN GAUGE                |                              |        |      |       |      | 1   |          |
| 5   |             | G5138161000 |             | RUBBER CAP                 |                              |        |      |       |      | 1   |          |
| 6   |             | GBR01423000 |             | SELECTOR PLATE, MEDIUM     |                              |        |      |       |      | 1   |          |
| 7   |             | GBR01422000 |             | SELECTOR PLATE, SMALL      |                              |        |      |       |      | 1   |          |
| 8   |             | HD000830000 |             | PHOTO SENSOR               |                              |        |      |       |      | 1   |          |
| 9   |             | HD000670000 |             | SENSOR                     |                              |        |      |       |      | 1   |          |
| 10  |             | HD000840000 |             | PHOTO SENSOR               |                              |        |      |       |      | 1   |          |
| 11  | D           | HA000830000 |             | MICROSWITCH                |                              |        |      |       |      | 1   |          |
| 12  | R           | B9118232000 | 26234005    | VINYL COVER                |                              |        |      |       |      | 1   | 1.00     |
| 13  |             | B91210120A0 |             | OILER ASM.                 |                              |        |      |       |      | 1   |          |
| 14  |             | B9142372000 |             | HEXAGONAL WRENCH (7.1X8.1) | VARIOUS NOS.FOR DESTINATIONS |        |      |       |      | 1   |          |
| 15  |             | GCT02906000 |             | HEXAGONAL SPANNER          |                              |        |      |       |      | 1   |          |
| 16  | D           | D9101L9SB00 |             | HEXAGONAL BAR SPANNER      |                              |        |      |       |      | 1   |          |
| 17  |             | B9141372000 |             | HEXAGONAL WRENCH, LARGE    |                              |        |      |       |      | 1   |          |
| 18  |             | GCT02904000 |             | SPANNER                    |                              |        |      |       |      | 1   |          |
| 19  |             | GCT02905000 |             | SPANNER                    |                              |        |      |       |      | 1   |          |
| 20  | R           | B9109555000 | 22933006    | SCREW DRIVER, LARGE        |                              |        |      |       |      | 1   | 1.00     |
| 21  | R           | B9110012000 | 22933105    | SCREW DRIVER, MIDDLE       |                              |        |      |       |      | 1   | 1.00     |
| 22  | R           | B9111012000 | 22933204    | SCREW DRIVER, SMALL        |                              |        |      |       |      | 1   | 1.00     |
| 23  | R           | B9112012000 | 26034702    | WRENCH (11X14)             | VARIOUS NOS.FOR DESTINATIONS |        |      |       |      | 1   | 1.00     |
| 24  |             | B9113012000 |             | WRENCH (9X10)              | VARIOUS NOS.FOR DESTINATIONS |        |      |       |      | 1   |          |
| 25  |             | B9143372000 |             | WRENCH (7.1 X 8.1)         | VARIOUS NOS.FOR DESTINATIONS |        |      |       |      | 1   |          |
| 26  | R           | MDP170B1402 | MDP170B1400 | NEEDLE DPX17#14-2          |                              |        |      |       |      | 1   | 1.00     |
| 27  |             | GBR01437000 |             | AUXILIARY PLATE            |                              |        |      |       |      | 1   |          |
| 28  |             | 18250407    |             | SANDER (CLOTH)             |                              |        |      |       |      | 3   |          |
| 29  |             | 18250506    |             | SANDER (CORD)              |                              |        |      |       |      | 2   |          |
| 30  |             | 13812102    |             | BOBBIN                     |                              |        |      |       |      | 1   |          |
| 31  |             | 13533203    |             | WRENCH                     |                              |        |      |       |      | 1   |          |
| 32  | R           | B9101552000 | 22932800    | ACCESSORY BOX              |                              |        |      |       |      | 1   | 1.00     |
| 33  |             | G5139164000 |             | EXTENSION PLATE            |                              |        |      |       |      | 3   |          |
| 34  |             | B8601WP10A0 |             | TOOL BOX ASM.              |                              |        |      |       |      | 1   |          |
| 35  |             | 13525506    |             | GREASE TUBE                |                              |        |      |       |      | 1   |          |
| 36  |             | 18204701    |             | SCALE                      |                              |        |      |       |      | 4   |          |

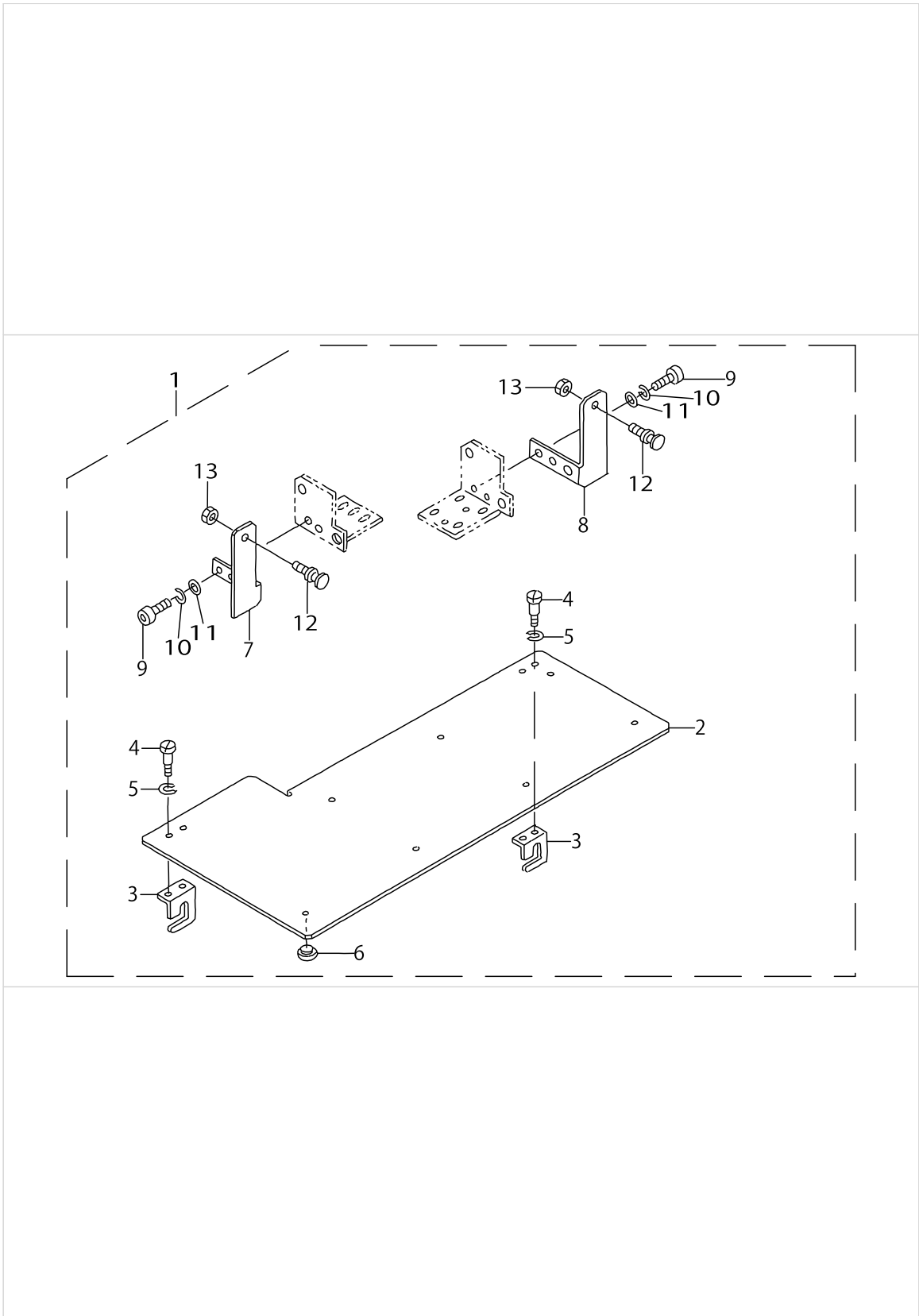
ASSISTANT CLAMP , LIGHT MATERIAL CLAMP & LEAD CLAMP COMPONENTS (OPTIONAL)



ASSISTANT CLAMP , LIGHT MATERIAL CLAMP & LEAD CLAMP COMPONENTS (OPTIONAL)

| No. | Supply Code | Parts No.   | Replacement | Parts name                 | Remarks | Choice | Step | Level | Cons | Qty | Rep. QTY |
|-----|-------------|-------------|-------------|----------------------------|---------|--------|------|-------|------|-----|----------|
| 1   | D           | G55011640A0 |             | AUXILIARY CLAMP ASM.       |         |        |      |       |      | 1   |          |
| 2   | D           | G5501164000 |             | AUXILIARY CLAMP BRACKET    |         |        |      | *     |      | 1   |          |
| 3   |             | SM9061003SC |             | SCREW M6X10                |         |        |      | *     |      | 2   |          |
| 4   |             | WS0610002KN |             | SPRING WASHER 6.1X12.2X1.5 |         |        |      | *     |      | 2   |          |
| 5   | D           | G5502164000 |             | AUXILIARY CLAMP, UPPER     |         |        |      | *     |      | 1   |          |
| 6   | D           | G5503164000 |             | AUXILIARY CLAMP, LOWER     |         |        |      | *     |      | 1   |          |
| 7   |             | G5504164000 |             | ADJUSTING METAL            |         |        |      | *     |      | 1   |          |
| 8   |             | SM6061202TN |             | BOLT                       |         |        |      | *     |      | 1   |          |
| 9   |             | SM6030402TN |             | BOLT M3X4                  |         |        |      | *     |      | 2   |          |
| 10  |             | G5138161000 |             | RUBBER CAP                 |         |        |      | *     |      | 1   |          |
| 11  |             | G5124164000 |             | CLAMP SHAFT                |         |        |      | *     |      | 1   |          |
| 12  |             | NM6060001SC |             | NUT M6                     |         |        |      | *     |      | 1   |          |
| 13  |             | WS0610002KN |             | SPRING WASHER 6.1X12.2X1.5 |         |        |      | *     |      | 1   |          |
| 14  |             | WP0641601SC |             | WASHER                     |         |        |      | *     |      | 1   |          |
| 15  |             | G5125164000 |             | CLAMP HOLDER               |         |        |      | *     |      | 1   |          |
| 16  | R           | G2526270000 | E4704172000 | COLLAR                     |         |        |      | *     |      | 2   | 1.00     |
| 17  |             | G5505164000 |             | SPRING HOOK                |         |        |      | *     |      | 1   |          |
| 18  |             | SM6040602TP |             | SCREW M4 L=6               |         |        |      | *     |      | 2   |          |
| 19  |             | WP0430801SC |             | WASHER 4.3X9X0.8           |         |        |      | *     |      | 2   |          |
| 20  |             | G5126164000 |             | SPRING                     |         |        |      | *     |      | 1   |          |
| 21  | D           | G5506164000 |             | SCREW                      |         |        |      | *     |      | 1   |          |
| 22  |             | NM6060001SC |             | NUT M6                     |         |        |      | *     |      | 2   |          |
| 23  |             | PA160100500 |             | AIR CYLINDER               |         |        |      | *     |      | 1   |          |
| 24  |             | SM6033052TP |             | SCREW                      |         |        |      | *     |      | 4   |          |
| 25  |             | G5507164000 |             | AUXILIARY CLAMP COVER      |         |        |      | *     |      | 1   |          |
| 26  |             | SM0040601SA |             | SCREW                      |         |        |      | *     |      | 2   |          |
| 27  |             | BT0400251EB |             | URETHANE HOSE, BLACK       |         |        |      | *     |      | 1   |          |
| 28  | D           | PJ305040503 |             | UNION                      |         |        |      | *     |      | 1   |          |
| 29  |             | WS0410002KN |             | SPRING WASHER              |         |        |      | *     |      | 2   |          |
| 30  |             | SM8040402TP |             | SCREW M4X0.7 L=4           |         |        |      | *     |      | 6   |          |
| 31  |             | G55081640A0 |             | LIGHT FABRIC CLAMP ASM.    |         |        |      |       |      | 1   |          |
| 32  |             | G5508164000 |             | LIGHT FABRIC CLAMP         |         |        |      | *     |      | 1   |          |
| 33  |             | SM6031002TP |             | HEXAGONAL BOLT M3 X 10     |         |        |      | *     |      | 2   |          |
| 34  |             | WS0310002KN |             | SPRING WASHER M3           |         |        |      | *     |      | 2   |          |
| 35  |             | WP0320501SC |             | WASHER M3                  |         |        |      | *     |      | 2   |          |
| 36  |             | G5138161000 |             | RUBBER CAP                 |         |        |      | *     |      | 1   |          |
| 37  |             | G5509164000 |             | NEEDLE CLAMP               |         |        |      |       |      | 1   |          |

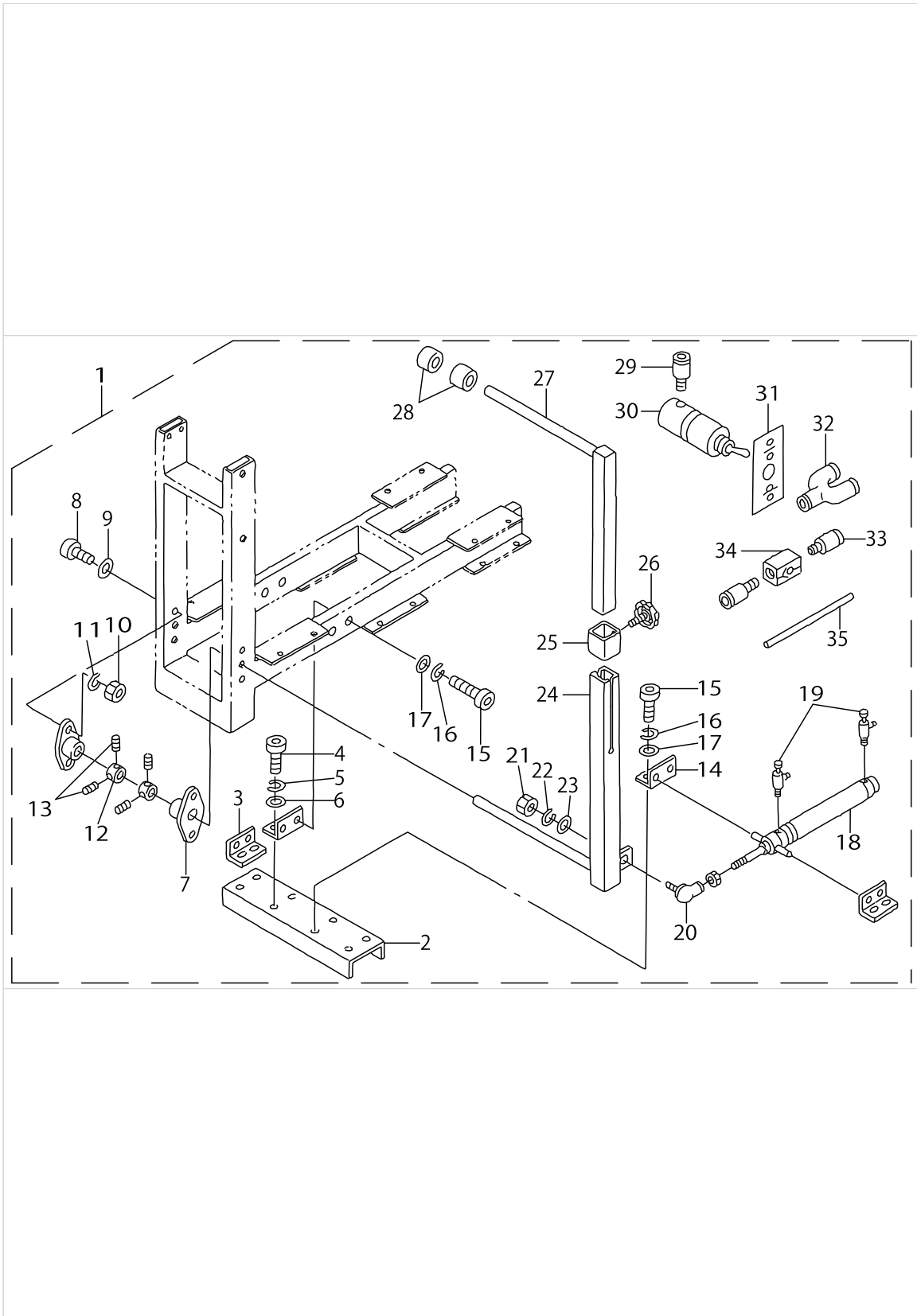
# ASSISTANT FEED PLATE COMPONENTS



ASSISTANT FEED PLATE COMPONENTS

| No. | Supply Code | Parts No.   | Replacement | Parts name                          | Remarks | Choice | Step | Level | Cons | Qty | Rep. QTY |
|-----|-------------|-------------|-------------|-------------------------------------|---------|--------|------|-------|------|-----|----------|
| 1   |             | G55101640A0 |             | AUXILIARY FEED BOARD ASM.           |         |        |      |       |      | 1   |          |
| 2   |             | G5510164000 |             | AUXILIARY FEED BOARD                |         |        |      | *     |      | 1   |          |
| 3   |             | G5511164000 |             | BRACKET                             |         |        |      | *     |      | 2   |          |
| 4   |             | SD0400191TP |             | HINGE SCREW D=4 H=1.9               |         |        |      | *     |      | 4   |          |
| 5   |             | WS0410002KN |             | SPRING WASHER                       |         |        |      | *     |      | 4   |          |
| 6   |             | G5178162000 |             | SLIDER                              |         |        |      | *     |      | 8   |          |
| 7   |             | G5512164000 |             | AUXILIARY FEED SUPPORT (LEFT)       |         |        |      | *     |      | 1   |          |
| 8   |             | G5513164000 |             | AUXILIARY FEED S-<br>UPPORT (RIGHT) |         |        |      | *     |      | 1   |          |
| 9   |             | SM6061002TP |             | SCREW M6 L=10                       |         |        |      | *     |      | 4   |          |
| 10  |             | WS0610002KN |             | SPRING WASHER 6.1X12.2X1.5          |         |        |      | *     |      | 4   |          |
| 11  |             | WP0641601SC |             | WASHER                              |         |        |      | *     |      | 4   |          |
| 12  |             | B1523232000 |             | REGULATING SCREW                    |         |        |      | *     |      | 2   |          |
| 13  |             | NS6090310SP |             | NUT 9/64-40                         |         |        |      | *     |      | 2   |          |

NO.2 PRESSER COMPONENTS



NO.2 PRESSER COMPONENTS

| No. | Supply Code | Parts No.   | Replacement | Parts name                 | Remarks | Choice | Step | Level | Cons | Qty | Rep. QTY |
|-----|-------------|-------------|-------------|----------------------------|---------|--------|------|-------|------|-----|----------|
| 1   |             | G55141640A0 |             | PRESSER ASM., NO.2         |         |        |      |       |      | 1   |          |
| 2   | D           | G5514164000 |             | CYLINDER SUPPORT BASE      |         |        |      | *     |      | 1   |          |
| 3   | D           | G5038171000 |             | SIDE PLATE SUPPORT         |         |        |      | *     |      | 2   |          |
| 4   |             | SM6061202TP |             | SCREW M6 L=12              |         |        |      | *     |      | 4   |          |
| 5   |             | WS0610002KN |             | SPRING WASHER 6.1X12.2X1.5 |         |        |      | *     |      | 4   |          |
| 6   |             | WP0641601SC |             | WASHER                     |         |        |      | *     |      | 4   |          |
| 7   | D           | G5518164000 |             | FLANGE UNIT                |         |        |      | *     |      | 2   |          |
| 8   |             | SM6061202TP |             | SCREW M6 L=12              |         |        |      | *     |      | 4   |          |
| 9   |             | WP0641601SC |             | WASHER                     |         |        |      | *     |      | 4   |          |
| 10  |             | NM6060001SC |             | NUT M6                     |         |        |      | *     |      | 4   |          |
| 11  |             | WS0610002KN |             | SPRING WASHER 6.1X12.2X1.5 |         |        |      | *     |      | 4   |          |
| 12  | D           | G5215171000 |             | THRUST COLLAR              |         |        |      | *     |      | 2   |          |
| 13  |             | SM8060812TP |             | SCREW M6 L=8               |         |        |      | *     |      | 4   |          |
| 14  |             | G5515164000 |             | CYLINDER BRACKET           |         |        |      | *     |      | 2   |          |
| 15  |             | SM6061202TP |             | SCREW M6 L=12              |         |        |      | *     |      | 8   |          |
| 16  |             | WS0610002KN |             | SPRING WASHER 6.1X12.2X1.5 |         |        |      | *     |      | 8   |          |
| 17  |             | WP0641601SC |             | WASHER                     |         |        |      | *     |      | 8   |          |
| 18  | D           | PA2007503A0 |             | AIR CYLINDER               |         |        |      | *     |      | 1   |          |
| 19  |             | PC015108000 |             | SPEED CONTROLLER           |         |        |      | *     |      | 2   |          |
| 20  |             | G5204171000 |             | LINK BOLL                  |         |        |      | *     |      | 1   |          |
| 21  |             | NM6080003SC |             | NUT M8                     |         |        |      | *     |      | 1   |          |
| 22  |             | WS0820002KN |             | SPRING WASHER M8           |         |        |      | *     |      | 1   |          |
| 23  |             | WP0841601SC |             | WASHER 8.4X17.4X1.6        |         |        |      | *     |      | 1   |          |
| 24  | D           | G5517164000 |             | PRESSER, LOWER             |         |        |      | *     |      | 1   |          |
| 25  |             | G5208164000 |             | BAR LOCKER                 |         |        |      | *     |      | 1   |          |
| 26  |             | G5221164000 |             | KNOB                       |         |        |      | *     |      | 1   |          |
| 27  |             | G5516164000 |             | PRESSER, UPPER             |         |        |      | *     |      | 1   |          |
| 28  |             | G5216164000 |             | STACKER RING               |         |        |      | *     |      | 5   |          |
| 29  |             | PJ301040504 |             | JOINTING                   |         |        |      | *     |      | 3   |          |
| 30  |             | PV010507000 |             | VALVE                      |         |        |      | *     |      | 1   |          |
| 31  |             | G5519164000 |             | STACKER OPEN SWITCH LABEL  |         |        |      | *     |      | 1   |          |
| 32  |             | PJ308040002 |             | QUICK COUPLING             |         |        |      | *     |      | 1   |          |
| 33  |             | PJ301040504 |             | JOINTING                   |         |        |      | *     |      | 2   |          |
| 34  |             | PV020501000 |             | CHECK VALVE                |         |        |      | *     |      | 1   |          |
| 35  |             | BT0400251EB |             | URETHANE HOSE, BLACK       |         |        |      | *     |      | 1   |          |



## HOW TO MAKE USE OF THIS PARTS LIST

1.As to "#01" and "#02" refer to the "Note" given at the bottom of the respective pages.

2.Codes on the "Qty" column

- Each numeral indicates the number of parts required.
- "0.1" and "2.5" indicate the length (in meters) of the respective parts.

3.Parentheses mean that the corresponding part is a subpart that constructs an assembly part.

4.Dotted lines on the Figures indicate assembly parts.

1. リストページの# 0 1、# 0 2の印は、ページ下の"注記"の説明を参照下さい。
2. 数量欄の数字は、個数を表し、0. 1、2. 5等の数値は、長さ（単位メートル）を表します。
3. 数量欄の（ ）は、組部品を構成している子部品であることを意味します。
4. イラストページの-----枠は、組構成であることを意味します。

# NUMERICAL INDEX OF PARTS

| PART NO  | PAGE | REF NO. | PART NO  | PAGE | REF NO. | PART NO  | PAGE | REF NO. |
|----------|------|---------|----------|------|---------|----------|------|---------|
| 10004109 | 74   | 20      | 16557308 | 18   | 11      | 16570707 | 28   | 33      |
| 11110707 | 20   | 54      | 16557407 | 18   | 4       | 16570905 | 28   | 37      |
| 11185006 | 94   | 11      | 16557506 | 14   | 30      | 16571408 | 30   | 49      |
| 11185055 | 94   | 1       | 16557605 | 14   | 35      | 16571507 | 28   | 43      |
| 11185105 | 94   | 2       | 16557902 | 18   | 40      | 16571804 | 28   | 45      |
| 11185204 | 94   | 3       | 16558009 | 96   | 2       | 16571903 | 28   | 15      |
| 11185303 | 94   | 5       | 16558108 | 96   | 3       | 16572406 | 24   | 24      |
| 11185352 | 94   | 4       | 16558801 | 18   | 17      | 16572505 | 26   | 50      |
| 11185402 | 94   | 8       | 16559007 | 14   | 32      | 16572703 | 28   | 64      |
| 11185501 | 94   | 13      | 16559601 | 16   | 53      | 16572703 | 30   | 64      |
| 11280856 | 72   | 57      | 16560104 | 22   | 14      | 16573008 | 28   | 14      |
| 13517602 | 10   | 50      | 16560203 | 22   | 32      | 16573305 | 26   | 53      |
| 13518105 | 64   | 43      | 16561607 | 22   | 15      | 16573701 | 28   | 2       |
| 13525506 | 96   | 35      | 16561904 | 70   | 14      | 16573800 | 28   | 10      |
| 13533203 | 96   | 31      | 16562001 | 22   | 18      | 16573909 | 28   | 46      |
| 13540901 | 10   | 47      | 16562100 | 22   | 23      | 16574006 | 24   | 18      |
| 13541313 | 2    | 13      | 16562308 | 22   | 20      | 16574105 | 24   | 3       |
| 13811906 | 10   | 52      | 16562407 | 22   | 19      | 16577009 | 32   | 1       |
| 13812003 | 10   | 53      | 16562803 | 22   | 4       | 16577108 | 32   | 18      |
| 13812102 | 96   | 30      | 16562902 | 22   | 6       | 16577207 | 32   | 16      |
| 14145106 | 10   | 51      | 16565400 | 24   | 37      | 16577306 | 32   | 20      |
| 14147003 | 2    | 12      | 16565509 | 24   | 38      | 16577405 | 32   | 22      |
| 14148407 | 2    | 14      | 16565707 | 24   | 7       | 16577504 | 32   | 11      |
| 16111403 | 42   | 33      | 16565905 | 26   | 75      | 16586307 | 38   | 28      |
| 16111502 | 42   | 34      | 16566002 | 24   | 4       | 16870206 | 38   | 25      |
| 16550204 | 18   | 32      | 16566408 | 24   | 25      | 17845009 | 88   | 13      |
| 16550402 | 18   | 35      | 16566507 | 24   | 1       | 18200303 | 28   | 29      |
| 16551806 | 18   | 28      | 16566606 | 24   | 10      | 18200352 | 28   | 27      |
| 16551905 | 18   | 16      | 16567000 | 24   | 14      | 18200501 | 18   | 36      |
| 16552309 | 18   | 20      | 16567166 | 24   | 40      | 18200501 | 96   | 1       |
| 16552507 | 14   | 1       | 16567802 | 26   | 49      | 18200907 | 30   | 63      |
| 16552606 | 14   | 9       | 16567901 | 26   | 52      | 18200956 | 30   | 62      |
| 16553208 | 14   | 21      | 16568206 | 26   | 60      | 18201103 | 30   | 52      |
| 16553208 | 24   | 5       | 16568404 | 28   | 30      | 18201608 | 24   | 27      |
| 16553307 | 14   | 22      | 16568602 | 30   | 60      | 18201905 | 28   | 6       |
| 16554008 | 14   | 42      | 16568651 | 30   | 59      | 18201962 | 28   | 1       |
| 16554008 | 26   | 47      | 16568909 | 28   | 26      | 18202002 | 28   | 7       |
| 16554503 | 14   | 31      | 16569204 | 28   | 11      | 18202150 | 24   | 30      |
| 16556300 | 18   | 34      | 16569501 | 28   | 18      | 18202408 | 32   | 23      |
| 16556409 | 18   | 33      | 16569600 | 28   | 17      | 18203307 | 28   | 4       |
| 16556607 | 18   | 29      | 16570103 | 28   | 21      | 18204107 | 24   | 43      |
| 16556706 | 14   | 19      | 16570202 | 28   | 22      | 18204503 | 28   | 25      |
| 16556805 | 14   | 25      | 16570301 | 28   | 23      | 18204701 | 96   | 36      |
| 16557209 | 14   | 4       | 16570509 | 30   | 48      | 18205401 | 18   | 21      |
| 16557209 | 24   | 31      | 16570657 | 30   | 50      | 18205609 | 18   | 18      |

NUMERICAL INDEX OF PARTS

| PART NO     | PAGE | REF NO. | PART NO      | PAGE | REF NO. | PART NO     | PAGE | REF NO. |
|-------------|------|---------|--------------|------|---------|-------------|------|---------|
| 18205708    | 18   | 13      | B1649161000  | 20   | 62      | BT0400251EB | 102  | 35      |
| 18205906    | 18   | 6       | B185351200E  | 2    | 15      | BT0600401EB | 42   | 38      |
| 18206003    | 18   | 1       | B2107816000  | 24   | 8       | CM200100001 | 76   | 61      |
| 18206201    | 18   | 15      | B2107816000  | 30   | 55      | CM200100001 | 88   | 14      |
| 18206409    | 18   | 7       | B23022050A0  | 2    | 8       | CM300100001 | 76   | 47      |
| 18206656    | 18   | 12      | B2544280000  | 40   | 30      | CM300100001 | 84   | 22      |
| 18206706    | 14   | 24      | B2548372R00A | 8    | 24      | CM300100001 | 88   | 15      |
| 18206904    | 14   | 36      | B2549372R00A | 8    | 21      | CM300100101 | 74   | 46      |
| 18207209    | 22   | 11      | B2553372000  | 8    | 40      | CM300100101 | 84   | 21      |
| 18207506    | 22   | 13      | B2559372000  | 8    | 38      | CM300100101 | 88   | 43      |
| 18207605    | 10   | 60      | B2559372000  | 12   | 14      | CM300200003 | 52   | 43      |
| 18207902    | 14   | 14      | B2560372000  | 8    | 41      | CM300200003 | 58   | 35      |
| 18209007    | 10   | 61      | B2561372000  | 8    | 44      | CM300200003 | 62   | 47      |
| 18209403    | 26   | 61      | B2619372000  | 2    | 16      | CM300200003 | 66   | 56      |
| 18209502    | 24   | 44      | B2702210000  | 4    | 2       | CM3002000B1 | 58   | 34      |
| 18212902    | 30   | 65      | B2703210000  | 4    | 4       | CM3002000B1 | 66   | 55      |
| 18217505    | 26   | 48      | B2710771000  | 60   | 17      | CM3002000B2 | 52   | 42      |
| 18217752    | 14   | 34      | B2714761000  | 60   | 16      | CM3002000B2 | 60   | 46      |
| 18217950    | 22   | 3       | B3052816000  | 30   | 69      | CM300200202 | 38   | 37      |
| 18218008    | 24   | 28      | B3125012000  | 10   | 57      | CM500000001 | 70   | 43      |
| 18218206    | 14   | 3       | B3305704000A | 94   | 7       | CM500100001 | 70   | 42      |
| 18218909    | 24   | 6       | B3311012000  | 94   | 12      | D1401L7VV00 | 2    | 6       |
| 18219006    | 16   | 55      | B3311704000  | 94   | 9       | D1405M7WF00 | 2    | 10      |
| 18219204    | 24   | 46      | B3317704000  | 94   | 14      | D1901L7VVB0 | 2    | 3       |
| 18219501    | 28   | 20      | B3319704L00  | 94   | 6       | D1904L7VV00 | 2    | 4       |
| 18219600    | 28   | 40      | B3320704L00A | 94   | 10      | D1906L7VV00 | 2    | 5       |
| 18219709    | 14   | 2       | B4131357000  | 52   | 28      | D2431555B00 | 72   | 62      |
| 18219808    | 14   | 10      | B55412050A0  | 2    | 9       | D2502232D00 | 8    | 7       |
| 18222604    | 38   | 27      | B8170220000  | 64   | 38      | D2505232D00 | 8    | 5       |
| 18227553    | 22   | 9       | B8202205000  | 72   | 55      | D2527232D00 | 10   | 55      |
| 18227702    | 14   | 17      | B8601WP10A0  | 96   | 34      | D2528232D00 | 10   | 56      |
| 18227850    | 14   | 7       | B9101552000  | 96   | 32      | D2548232D00 | 8    | 11      |
| 18227959    | 18   | 5       | B9109555000  | 96   | 20      | D2572M1YC0F | 8    | 10      |
| 18228007    | 38   | 26      | B9110012000  | 96   | 21      | D3149141E00 | 6    | 14      |
| 18228106    | 38   | 33      | B9111012000  | 96   | 22      | D9101L9SB00 | 96   | 16      |
| 18250407    | 96   | 28      | B9112012000  | 96   | 23      | E5006171000 | 20   | 52      |
| 18250506    | 96   | 29      | B9113012000  | 96   | 24      | E8523304000 | 86   | 23      |
| 18251553    | 32   | 27      | B9118232000  | 96   | 12      | E8523304000 | 92   | 15~17   |
| B1114581000 | 2    | 1       | B9121012000  | 72   | 50      | E9567319000 | 82   | 21      |
| B1141229000 | 34   | 46      | B91210120A0  | 96   | 13      | E9567319000 | 88   | 16      |
| B1207210D00 | 2    | 19      | B9141372000  | 96   | 17      | E9602701000 | 74   | 29      |
| B1208210D00 | 2    | 17      | B9142372000  | 96   | 14      | E9602701000 | 86   | 22      |
| B1426771000 | 22   | 10      | B9143372000  | 96   | 25      | E9609603000 | 88   | 17      |
| B1513210000 | 60   | 33      | BT0400251EB  | 42   | 39      | E9611601000 | 86   | 24      |
| B1523232000 | 100  | 12      | BT0400251EB  | 98   | 27      | EA9500B0100 | 42   | 9       |

# NUMERICAL INDEX OF PARTS

| PART NO     | PAGE | REF NO. | PART NO      | PAGE | REF NO. | PART NO     | PAGE | REF NO. |
|-------------|------|---------|--------------|------|---------|-------------|------|---------|
| EA9500B0100 | 52   | 39      | G5026164000  | 40   | 13      | G5119164000 | 52   | 7       |
| EA9500B0100 | 58   | 38      | G5027164000  | 40   | 4       | G5120164000 | 44   | 14      |
| EA9500B0100 | 78   | 3       | G5028164000  | 34   | 34      | G5121164000 | 44   | 15      |
| EA9500B0100 | 88   | 18·26   | G5029164000  | 42   | 1       | G5122164000 | 44   | 16      |
| EA9500B0200 | 88   | 18·26   | G5030164000  | 56   | 47      | G5123164000 | 44   | 17      |
| EA9500B0200 | 92   | 23      | G5032164000  | 34   | 19      | G5124164000 | 52   | 11      |
| EA9502B0500 | 92   | 11      | G5033164000  | 38   | 5       | G5124164000 | 98   | 11      |
| EA9544B0200 | 86   | 21      | G5033172000  | 34   | 18      | G5125164000 | 52   | 15      |
| G2303270000 | 4    | 1       | G5034164000  | 38   | 1       | G5125164000 | 98   | 15      |
| G2526270000 | 52   | 32      | G5034171000  | 34   | 40      | G5126164000 | 52   | 16      |
| G2526270000 | 60   | 19      | G5034171000  | 38   | 20      | G5126164000 | 98   | 20      |
| G2526270000 | 98   | 16      | G5035164000  | 38   | 7       | G5127164000 | 52   | 17      |
| G2543270000 | 54   | 9       | G5036164000  | 38   | 3       | G5128164000 | 52   | 18      |
| G2543270000 | 68   | 9       | G5037164000  | 38   | 12      | G5129164000 | 52   | 20      |
| G5001164000 | 34   | 13      | G5038164000  | 38   | 14      | G5129164000 | 64   | 14      |
| G5002164000 | 34   | 22      | G5038171000  | 34   | 38      | G5130164A00 | 52   | 22      |
| G5003164000 | 34   | 26      | G5038171000  | 102  | 3       | G51311640A0 | 52   | 23      |
| G5004164000 | 34   | 28      | G5039164A00  | 38   | 9       | G5132164000 | 52   | 25      |
| G5005164000 | 34   | 29      | G5040164000  | 38   | 16      | G5133164000 | 52   | 26      |
| G5006164000 | 54   | 38      | G5041164000  | 34   | 14      | G5134164000 | 44   | 18      |
| G5007164A00 | 54   | 46      | G5042164A00  | 70   | 27      | G5135164000 | 96   | 4       |
| G5008164000 | 56   | 71      | G5045164000  | 34   | 6       | G5138161000 | 40   | 12      |
| G5009162000 | 40   | 25      | G5045171000  | 34   | 39      | G5138161000 | 52   | 33      |
| G5009164000 | 44   | 20      | G5046164000  | 42   | 18      | G5138161000 | 96   | 5       |
| G5010164000 | 44   | 19      | G5101164000  | 48   | 1       | G5138161000 | 98   | 36      |
| G5011164000 | 48   | 11      | G5102164000  | 48   | 2       | G5139164000 | 96   | 33      |
| G5012164000 | 48   | 10      | G5103164000  | 44   | 1       | G5144162000 | 52   | 27      |
| G5013164000 | 48   | 12      | G5104164000  | 44   | 2       | G5146171000 | 54   | 31      |
| G5014164000 | 48   | 26      | G5105164000  | 44   | 3       | G5153171000 | 16   | 48      |
| G5015164000 | 34   | 10      | G5106164000  | 44   | 4       | G5153171000 | 48   | 16      |
| G5016164000 | 34   | 1       | G5107164000  | 44   | 5       | G5153171000 | 56   | 79      |
| G5017164A00 | 34   | 11      | G5108164000  | 44   | 6       | G5178162000 | 100  | 6       |
| G5018164000 | 34   | 2       | G5109164000  | 44   | 7       | G5201164000 | 64   | 1       |
| G5019164000 | 48   | 40      | G5109171000  | 48   | 33      | G5202164000 | 64   | 10      |
| G5019171000 | 40   | 15      | G5110164000  | 44   | 8       | G5203164000 | 64   | 19      |
| G5020164000 | 34   | 12      | G5110171000  | 48   | 34      | G5204164000 | 68   | 1       |
| G5020171000 | 40   | 16      | G51111640A0  | 44   | 9       | G5204171000 | 68   | 11      |
| G5021164000 | 34   | 45      | G5111171000  | 48   | 36      | G5204171000 | 102  | 20      |
| G5021171000 | 40   | 29      | G5112164000  | 44   | 11      | G5205164000 | 68   | 3       |
| G5022164000 | 34   | 44      | G5113164000  | 44   | 10      | G5206164000 | 68   | 6       |
| G5022164000 | 64   | 45      | G5114164000  | 44   | 12      | G5207164000 | 68   | 7       |
| G5023164000 | 36   | 47      | G5115164000  | 44   | 13      | G5208164000 | 68   | 4       |
| G5024164000 | 40   | 8       | G5116164000  | 52   | 1       | G5208164000 | 102  | 25      |
| G5025164000 | 40   | 1       | G5117164000B | 52   | 2       | G5209164000 | 64   | 28      |
| G5026162000 | 38   | 24      | G5118164000  | 52   | 6       | G5210164000 | 64   | 5       |

## NUMERICAL INDEX OF PARTS

| PART NO     | PAGE | REF NO. | PART NO     | PAGE | REF NO. | PART NO     | PAGE | REF NO. |
|-------------|------|---------|-------------|------|---------|-------------|------|---------|
| G5211164000 | 64   | 29      | G5316164000 | 54   | 37      | G55081640A0 | 98   | 31      |
| G5212164000 | 64   | 33      | G5317164000 | 58   | 1       | G5509164000 | 98   | 37      |
| G5213164000 | 64   | 42      | G5318164000 | 58   | 3       | G5510164000 | 100  | 2       |
| G5214164000 | 64   | 46      | G5319164000 | 58   | 17      | G55101640A0 | 100  | 1       |
| G5215164000 | 66   | 47      | G5320164000 | 58   | 18      | G5511164000 | 100  | 3       |
| G5215171000 | 102  | 12      | G5321164000 | 58   | 5       | G5512164000 | 100  | 7       |
| G5216164000 | 68   | 2       | G5322164000 | 58   | 20      | G5513164000 | 100  | 8       |
| G5216164000 | 102  | 28      | G5323164000 | 58   | 7       | G5514164000 | 102  | 2       |
| G5217164000 | 64   | 23      | G5324164000 | 58   | 8       | G55141640A0 | 102  | 1       |
| G5218164000 | 68   | 8       | G5325164000 | 58   | 13      | G5515164000 | 102  | 14      |
| G5220164000 | 64   | 9       | G5326164000 | 58   | 12      | G5516164000 | 102  | 27      |
| G5221164000 | 68   | 5       | G5327164000 | 54   | 43      | G5517164000 | 102  | 24      |
| G5221164000 | 102  | 26      | G5328164000 | 54   | 44      | G5518164000 | 102  | 7       |
| G5222164000 | 60   | 1       | G5329164000 | 56   | 51      | G5519164000 | 102  | 31      |
| G5223164000 | 60   | 5       | G5330164000 | 56   | 55      | G5520164A00 | 10   | 71      |
| G5224164000 | 60   | 15      | G5331164000 | 56   | 56      | G5521164A00 | 10   | 72      |
| G5225164000 | 60   | 18      | G5332164000 | 54   | 39      | G5841270000 | 42   | 37      |
| G5226164000 | 60   | 21      | G5384171000 | 56   | 69      | G5901172000 | 4    | 9       |
| G5227164000 | 60   | 25      | G5401164A00 | 38   | 11      | G5903172000 | 4    | 11      |
| G5228164000 | 60   | 29      | G5402164B00 | 70   | 1       | G6010003000 | 82   | 13      |
| G5229164000 | 60   | 30      | G5403164000 | 56   | 58      | G61011640A0 | 48   | 30      |
| G5230164000 | 60   | 35      | G5406164000 | 70   | 4       | G6101164BA0 | 4    | 3       |
| G5231164000 | 60   | 36      | G5417164000 | 70   | 44      | G61021640A0 | 48   | 13      |
| G5232164000 | 60   | 43      | G5418164000 | 22   | 25      | G6102164BA0 | 76   | 66      |
| G5233164000 | 60   | 44      | G5418164000 | 70   | 24      | G61031640A0 | 48   | 31      |
| G5234164000 | 64   | 34      | G5419164000 | 70   | 18      | G61041640A0 | 40   | 20      |
| G5235164000 | 66   | 51      | G5420164000 | 70   | 16      | G61051640A0 | 56   | 75      |
| G52401640A0 | 58   | 26      | G5421162000 | 70   | 28      | G61071640A0 | 42   | 31      |
| G5242164000 | 58   | 27      | G5421164000 | 70   | 25      | G61081640A0 | 68   | 15      |
| G5243164000 | 58   | 29      | G5423164000 | 70   | 26      | G61091640A0 | 68   | 17      |
| G5301164000 | 54   | 1       | G5430164B00 | 72   | 67      | G61101640A0 | 50   | 47      |
| G5302164000 | 54   | 5       | G5431164B00 | 70   | 35      | G61111640A0 | 50   | 48      |
| G5303164000 | 54   | 11      | G5432164B00 | 72   | 51      | G61121640A0 | 52   | 41      |
| G5304164000 | 54   | 12      | G5433164B00 | 4    | 16      | G62011640A0 | 60   | 34      |
| G5305164000 | 54   | 16      | G5433164BA0 | 4    | 6       | G6312166000 | 86   | 4       |
| G5306164000 | 54   | 18      | G5458116000 | 42   | 35      | G64011640A0 | 42   | 6       |
| G5307164000 | 54   | 19      | G5501164000 | 98   | 2       | G65021640A0 | 48   | 32      |
| G5308164000 | 54   | 20      | G55011640A0 | 98   | 1       | G67041640A0 | 72   | 70      |
| G5309164000 | 54   | 21      | G5502164000 | 98   | 5       | G6801164000 | 42   | 40      |
| G5310164000 | 54   | 22      | G5503164000 | 98   | 6       | G6802164000 | 42   | 15      |
| G5311164000 | 54   | 26      | G5504164000 | 98   | 7       | G8015397000 | 76   | 58      |
| G5312164000 | 54   | 27      | G5505164000 | 98   | 17      | GBR01120000 | 22   | 1       |
| G5313164000 | 54   | 32      | G5506164000 | 98   | 21      | GBR01160000 | 10   | 59      |
| G5314164000 | 54   | 33      | G5507164000 | 98   | 25      | GBR01161000 | 10   | 58      |
| G5315164000 | 54   | 29      | G5508164000 | 98   | 32      | GBR01168000 | 22   | 17      |

NUMERICAL INDEX OF PARTS

| PART NO      | PAGE | REF NO. | PART NO     | PAGE | REF NO. | PART NO      | PAGE | REF NO. |
|--------------|------|---------|-------------|------|---------|--------------|------|---------|
| GBR01175000  | 18   | 41      | GBR218420A0 | 16   | 49      | HL011800000  | 86   | 13      |
| GBR01422000  | 96   | 7       | GBR218460A0 | 84   | 20      | HL011820000  | 86   | 12      |
| GBR014220A0  | 32   | 26      | GBR25001000 | 72   | 60      | HM0003800A0  | 74   | 16      |
| GBR01423000  | 96   | 6       | GBR25003000 | 10   | 76      | HM000570000  | 48   | 9       |
| GBR01426000  | 32   | 2       | GBR25004000 | 10   | 64      | HM000570010  | 74   | 24      |
| GBR01428000  | 32   | 14      | GBR25005000 | 14   | 46      | HM000770010  | 60   | 32      |
| GBR01429000A | 32   | 19      | GBR25006000 | 72   | 61      | HM000860010  | 88   | 21      |
| GBR01431000  | 32   | 9       | GBR25010000 | 72   | 64      | HR030301030  | 86   | 7       |
| GBR01432000  | 32   | 10      | GCT02904000 | 96   | 18      | HT002570000  | 80   | 4       |
| GBR01437000  | 96   | 27      | GCT02905000 | 96   | 19      | HT003570000  | 80   | 5       |
| GBR01441000  | 32   | 4       | GCT02906000 | 96   | 15      | HT003640000  | 80   | 3       |
| GBR01601000A | 8    | 23      | GSS29212000 | 58   | 33      | HT003920000  | 80   | 2       |
| GBR01606000  | 8    | 18      | HA000500000 | 80   | 9       | HX000240000  | 74   | 36      |
| GBR01607000  | 8    | 16      | HA000830000 | 96   | 11      | HX00024000C  | 74   | 37      |
| GBR10782000  | 84   | 19      | HA001080020 | 78   | 4       | HX00055000J  | 42   | 19      |
| GBR10802000  | 84   | 2       | HA001080030 | 80   | 8       | HX00056000B  | 88   | 22      |
| GBR108210A0  | 84   | 8       | HA001080040 | 78   | 5       | HX00094000C  | 86   | 5       |
| GBR108430A0  | 24   | 21      | HA001080080 | 80   | 6       | HX000980000  | 84   | 4       |
| GBR108440A0  | 24   | 19      | HA002330000 | 80   | 7       | HX001160000  | 78   | 2       |
| GBR108450A0  | 30   | 67      | HA00303000A | 76   | 67      | HX00123000B  | 88   | 41      |
| GBR10852000  | 14   | 43      | HC011504720 | 86   | 19      | HX00147000C  | 88   | 23      |
| GBR10853000  | 26   | 59      | HC027501030 | 86   | 18      | HX001500000  | 56   | 80      |
| GBR10854000  | 26   | 62      | HD000360000 | 22   | 28      | HX00150000A  | 6    | 28      |
| GBR108550A0  | 18   | 42      | HD000670000 | 96   | 9       | HX00150000A  | 52   | 37      |
| GBR108560A0  | 30   | 47      | HD000830000 | 96   | 8       | HX00150000A  | 58   | 36      |
| GBR108590A0  | 22   | 27      | HD000840000 | 96   | 10      | HX00150000F  | 58   | 39      |
| GBR11101000  | 14   | 38      | HF001301000 | 92   | 15~17   | HX00222000A  | 74   | 34      |
| GBR11107000  | 22   | 21      | HF0041080P0 | 92   | 15~17   | HX002400000  | 86   | 2       |
| GBR11108000  | 18   | 9       | HF00511000B | 74   | 27      | HX00269000B  | 74   | 12      |
| GBR11109000  | 20   | 59      | HF005111000 | 74   | 26      | HX00269000B  | 88   | 45      |
| GBR11110000  | 20   | 49      | HG002650000 | 86   | 14      | HX003390000  | 30   | 68      |
| GBR11111000  | 20   | 50      | HG003770000 | 86   | 16      | HX003390000  | 38   | 36      |
| GBR11112000  | 20   | 55      | HG003780000 | 86   | 15      | HX00339000B  | 38   | 35      |
| GBR11113000  | 20   | 64      | HG004350000 | 86   | 3       | HX004070000  | 88   | 24      |
| GBR11114000  | 20   | 51      | HG004750000 | 86   | 6       | HX004100000  | 74   | 35      |
| GBR11781000  | 84   | 11      | HK017150070 | 74   | 30      | HX004100000  | 88   | 25      |
| GBR117830A0  | 84   | 14      | HK026650080 | 88   | 19      | M1001544000A | 74   | 1       |
| GBR117840A0  | 84   | 15      | HK03464000A | 42   | 8       | M1001590000  | 88   | 5       |
| GBR117850A0  | 84   | 13      | HK044350120 | 72   | 53      | M1001591000  | 88   | 44      |
| GBR117860A0  | 84   | 12      | HK044450060 | 74   | 32      | M10025440A0  | 74   | 2       |
| GBR11801000  | 84   | 6       | HK054250040 | 76   | 62      | M10025800A0  | 88   | 6       |
| GBR118010A0  | 84   | 1       | HK054250040 | 88   | 20      | M1003590000  | 88   | 7       |
| GBR118110A0  | 84   | 7       | HL006940000 | 86   | 10      | M1004540000  | 74   | 4       |
| GBR118220A0  | 84   | 9       | HL008420043 | 78   | 6       | M1004544000A | 74   | 9       |
| GBR21103000  | 16   | 47      | HL008420044 | 80   | 13      | M1010544000  | 74   | 38~60   |

NUMERICAL INDEX OF PARTS

| PART NO     | PAGE | REF NO. | PART NO      | PAGE | REF NO. | PART NO      | PAGE | REF NO. |
|-------------|------|---------|--------------|------|---------|--------------|------|---------|
| M1010544B00 | 76   | 38-60   | M85975900A0  | 92   | 20      | MAZ08919000  | 6    | 4       |
| M1010590000 | 92   | 6       | M85995900A0  | 92   | 13-14   | MAZ08920000A | 6    | 1       |
| M1011590000 | 92   | 7       | M8599590AA0  | 92   | 13-14   | MAZ08921000  | 6    | 2       |
| M1012590000 | 92   | 8       | M8601543EA0  | 74   | 5       | MAZ15502000  | 10   | 66      |
| M1020544000 | 74   | 39      | M8601543EA0  | 78   | 1       | MAZ15503000  | 8    | 4       |
| M1021540000 | 74   | 43      | M8601590AB0  | 88   | 1       | MAZ155030A0  | 8    | 3       |
| M1021544000 | 74   | 42      | M8602544DA0  | 74   | 7       | MAZ155030B0  | 8    | 2       |
| M1022543000 | 74   | 40      | M8602544DA0  | 80   | 1       | MAZ15504000  | 8    | 6       |
| M1022544000 | 74   | 41      | M8602590AA0  | 88   | 2       | MAZ15505000  | 8    | 27      |
| M1030544000 | 82   | 2       | M8603544000  | 86   | 9       | MAZ15509000  | 12   | 12      |
| M1031544000 | 82   | 3       | M8603544AA0  | 74   | 11      | MAZ15514000  | 10   | 46      |
| M1032540000 | 82   | 6       | M8603544AA0  | 86   | 8       | MAZ15515000  | 8    | 12      |
| M1033543000 | 82   | 12      | M86045900A0  | 88   | 3-4     | MAZ15517000  | 8    | 13      |
| M1040544000 | 82   | 17      | M8604590AA0  | 88   | 3-4     | MAZ15518000  | 8    | 43      |
| M3002518A00 | 76   | 65      | M86065900A0  | 92   | 3       | MAZ15601000  | 10   | 67      |
| M300258000B | 88   | 8-9     | M8630544000  | 82   | 5       | MAZ15601000  | 12   | 1       |
| M300259000A | 92   | 4-5     | M8631543AA0  | 82   | 8       | MAZ15602000  | 12   | 2       |
| M300259000B | 92   | 4-5     | M8631543AA0  | 86   | 1       | MAZ165070A0  | 8    | 36      |
| M3003580000 | 92   | 18-19   | M86515910A0  | 88   | 42      | MAZ165070B0  | 8    | 35      |
| M300359000A | 88   | 8-9     | M8901590AA0A | 88   | 11-12   | MAZ16522000  | 8    | 42      |
| M300451100A | 92   | 18-19   | M8901590BA0A | 88   | 11-12   | MAZ166070A0  | 12   | 11      |
| M3007519000 | 76   | 59      | M90015900A0  | 90   | 1       | MAZ166070B0  | 12   | 10      |
| M85105440A0 | 74   | 13-48   | M90025800A0  | 90   | 9       | MAZ16714000  | 8    | 29      |
| M8510544BA0 | 76   | 13-48   | M90035900A0  | 90   | 2       | MAZ167140A0  | 8    | 28      |
| M8510590AA0 | 92   | 1-2     | M90045900A0  | 90   | 3       | MAZ167140B0  | 8    | 1       |
| M8510590BA0 | 92   | 1-2     | M90085800A0  | 90   | 4       | MAZ16718000  | 6    | 15      |
| M85115440A0 | 74   | 15      | M90205800A0  | 90   | 5-6     | MAZ16722000  | 6    | 5       |
| M85205440A0 | 76   | 50      | M9020580AA0  | 90   | 5-6     | MAZ16723000  | 6    | 11      |
| M85215400A0 | 74   | 19-49   | M90225900A0  | 90   | 7-8     | MAZ16726000  | 6    | 9       |
| M85215440A0 | 76   | 51      | M90235900A0  | 90   | 7-8     | MAZ167820A0  | 6    | 29      |
| M85225440A0 | 76   | 52      | M90315900A0  | 90   | 10      | MAZ16814000  | 12   | 4       |
| M85245400A0 | 76   | 56      | M90515900A0  | 92   | 21      | MAZ168140A0  | 12   | 3       |
| M85245440A0 | 76   | 53      | M90515910A0  | 90   | 11      | MDP170B1400  | 2    | 7       |
| M85255400A0 | 76   | 57      | M90525900A0  | 92   | 22      | MDP170B1402  | 96   | 26      |
| M85255440A0 | 76   | 54      | M9620110000  | 74   | 45      | MTJMS000060  | 70   | 2       |
| M85265440A0 | 76   | 55      | MAO11532000  | 94   | 21      | MTK440VSW00  | 76   | 68      |
| M85285750A0 | 76   | 69      | MAO11602N00  | 40   | 21      | NM3034000SF  | 80   | 12      |
| M85295440A0 | 76   | 19-49   | MAZ088270A0  | 8    | 19      | NM3034000SF  | 82   | 7       |
| M85305440A0 | 82   | 1       | MAZ08829000  | 8    | 39      | NM3034000SF  | 86   | 20      |
| M85405440A0 | 82   | 10      | MAZ08915000A | 8    | 34      | NM3034000SF  | 88   | 27      |
| M85405900A0 | 88   | 10      | MAZ08915000A | 12   | 9       | NM3040520SF  | 74   | 18      |
| M85415440A0 | 82   | 11      | MAZ08916000  | 8    | 31      | NM3040520SF  | 88   | 28      |
| M85425430A0 | 82   | 15      | MAZ08916000  | 12   | 6       | NM6030001SC  | 4    | 7       |
| M85425440A0 | 82   | 19      | MAZ08917000  | 8    | 33      | NM6040001SC  | 14   | 29      |
| M85435430A0 | 82   | 16      | MAZ08917000  | 12   | 8       | NM6040001SC  | 18   | 37      |

NUMERICAL INDEX OF PARTS

| PART NO     | PAGE | REF NO. | PART NO     | PAGE | REF NO. | PART NO     | PAGE | REF NO. |
|-------------|------|---------|-------------|------|---------|-------------|------|---------|
| NM6040001SC | 22   | 5       | PJ015251001 | 42   | 32      | SD0791271SP | 2    | 11      |
| NM6040001SC | 24   | 73      | PJ020500001 | 42   | 14      | SK1271301SD | 34   | 21      |
| NM6040001SC | 26   | 73      | PJ030520001 | 42   | 29      | SK3311301SA | 48   | 41      |
| NM6040001SC | 28   | 24      | PJ046052503 | 6    | 18      | SK3311601SE | 72   | 56      |
| NM6050001SC | 14   | 23      | PJ050525201 | 42   | 27      | SK3381301SC | 70   | 19      |
| NM6050001SC | 18   | 3       | PJ210304010 | 58   | 25      | SK3381301SC | 84   | 10      |
| NM6050001SC | 22   | 7       | PJ301040504 | 42   | 13      | SK3381601SC | 34   | 30      |
| NM6050001SC | 70   | 22      | PJ301040504 | 102  | 33      | SK3381601SC | 56   | 62      |
| NM6050001SE | 94   | 20      | PJ301065103 | 42   | 5       | SK3412001SC | 72   | 68      |
| NM6060001SC | 32   | 5       | PJ301065201 | 42   | 28      | SL4020881SC | 82   | 14      |
| NM6060001SC | 34   | 33      | PJ303060001 | 42   | 36      | SL4030681SC | 84   | 18      |
| NM6060001SC | 52   | 19      | PJ304040504 | 52   | 36      | SL4030681SF | 88   | 29      |
| NM6060001SC | 70   | 46      | PJ305040503 | 98   | 28      | SL4030691SC | 4    | 12      |
| NM6060001SC | 72   | 46      | PJ305065201 | 42   | 30      | SL4030881SC | 28   | 5       |
| NM6060001SC | 98   | 22      | PJ308040002 | 102  | 32      | SL4030881SC | 72   | 54      |
| NM6060001SC | 102  | 10      | PJ309005201 | 42   | 23      | SL4030881SF | 82   | 9       |
| NM6080001SC | 32   | 21      | PJ309005203 | 42   | 22      | SL4030881SF | 92   | 9       |
| NM6080001SC | 54   | 6       | PS0160122KH | 58   | 6       | SL4030891SC | 88   | 30      |
| NM6080001SC | 64   | 41      | PV010507000 | 102  | 30      | SL4031081SC | 22   | 29      |
| NM6080003SC | 68   | 14      | PV020501000 | 102  | 34      | SL4031081SF | 80   | 11      |
| NM6080003SC | 102  | 21      | PV1551080A0 | 42   | 7       | SL4031081SF | 86   | 25      |
| NM6100001SC | 60   | 39      | PX500017000 | 60   | 9       | SL4031091SC | 4    | 10      |
| NM6160001SC | 34   | 20      | RC0150001KP | 60   | 42      | SL4031281SF | 86   | 17      |
| NM6860003SC | 6    | 3       | RC2500001KP | 22   | 2       | SL4031281SF | 88   | 46      |
| NM7030510SA | 6    | 16      | RC3500002KP | 60   | 41      | SL4031291SC | 80   | 10      |
| NS6080210SP | 6    | 10      | RE0200000K0 | 14   | 5       | SL4031481SF | 74   | 33      |
| NS6080210SP | 8    | 17      | RE0200000K0 | 24   | 32      | SL4031481SF | 86   | 11      |
| NS6090310SP | 8    | 25      | RE0250000K0 | 26   | 51      | SL4031681SF | 74   | 31      |
| NS6090310SP | 100  | 13      | RE0400000K0 | 40   | 14      | SL4031891SC | 74   | 10      |
| NS6110360SP | 20   | 63      | RE0400000K0 | 58   | 4       | SL4040681SC | 88   | 36      |
| NS6110420SP | 6    | 24      | RE0600000K0 | 70   | 17      | SL4040691SC | 74   | 44      |
| NS6150310SP | 10   | 45      | RE0700000K0 | 8    | 8       | SL4040691SC | 84   | 3       |
| PA0601004A0 | 6    | 17      | RE0700000K0 | 64   | 44      | SL4040881SF | 88   | 31      |
| PA160100500 | 52   | 34      | RE1200000K0 | 24   | 36      | SL4041081SF | 42   | 16      |
| PA160100500 | 98   | 23      | SB110000400 | 28   | 42      | SL4041081SF | 50   | 49      |
| PA2002513A0 | 60   | 13      | SB115000200 | 60   | 40      | SL4041081SF | 56   | 81      |
| PA2007503A0 | 102  | 18      | SB115000400 | 14   | 13      | SL4041081SF | 58   | 37      |
| PA800012000 | 58   | 22      | SD0400191TP | 100  | 4       | SL4041081SF | 74   | 25      |
| PC010514000 | 42   | 20      | SD0450403TP | 6    | 13      | SL4041081SF | 88   | 33      |
| PC015108000 | 60   | 14      | SD0500404SP | 8    | 22      | SL4041091SC | 72   | 69      |
| PC015108000 | 68   | 16      | SD0550303SP | 8    | 26      | SL4041091SC | 84   | 16      |
| PC015108000 | 102  | 19      | SD0600341TP | 14   | 6       | SL4041091SC | 88   | 38      |
| PF0552090A0 | 42   | 21      | SD0600401TP | 14   | 11      | SL4051081SF | 88   | 39      |
| PH0300125S0 | 20   | 48      | SD0600651TP | 20   | 60      | SL4051091SC | 74   | 14      |
| PH0300185S0 | 28   | 16      | SD0601021SP | 14   | 12      | SM0030601SA | 54   | 45      |



# NUMERICAL INDEX OF PARTS

| PART NO     | PAGE | REF NO. | PART NO     | PAGE | REF NO. | PART NO     | PAGE | REF NO. |
|-------------|------|---------|-------------|------|---------|-------------|------|---------|
| SM0040601SA | 38   | 32      | SM6031402TP | 16   | 56      | SM6051202TP | 28   | 53      |
| SM0040601SA | 52   | 38      | SM6031402TP | 18   | 31      | SM6051202TP | 30   | 53      |
| SM0040601SA | 54   | 17      | SM6031502TP | 48   | 14      | SM6051202TP | 44   | 50      |
| SM0040601SA | 60   | 45      | SM6031502TP | 56   | 76      | SM6051202TP | 46   | 50      |
| SM0040601SA | 74   | 3       | SM6031602TP | 40   | 22      | SM6051202TP | 70   | 12      |
| SM0040601SA | 98   | 26      | SM6033052TP | 42   | 10      | SM6051602TP | 10   | 74      |
| SM0040601SC | 24   | 2       | SM6033052TP | 48   | 37      | SM6051602TP | 28   | 41      |
| SM0040601SC | 28   | 3       | SM6033052TP | 52   | 35      | SM6052002TP | 28   | 31      |
| SM0040601SC | 32   | 17      | SM6033052TP | 98   | 24      | SM6052502TP | 14   | 15      |
| SM0040801SF | 32   | 8       | SM6040602TP | 56   | 52      | SM6061002TP | 44   | 31      |
| SM0060801SA | 34   | 27      | SM6040602TP | 58   | 9       | SM6061002TP | 56   | 59      |
| SM0861201SA | 24   | 22      | SM6040602TP | 98   | 18      | SM6061002TP | 100  | 9       |
| SM0861201SA | 30   | 66      | SM6040802TN | 84   | 17      | SM6061202TN | 70   | 9       |
| SM1030601SC | 58   | 21      | SM6040802TP | 18   | 22      | SM6061202TN | 98   | 8       |
| SM1030801SC | 58   | 28      | SM6040802TP | 26   | 70      | SM6061202TP | 10   | 70      |
| SM1031401SC | 20   | 53      | SM6040802TP | 34   | 41      | SM6061202TP | 34   | 35      |
| SM1040601SC | 28   | 13      | SM6040802TP | 38   | 21      | SM6061202TP | 40   | 9       |
| SM1041201SC | 28   | 12      | SM6040802TP | 40   | 26      | SM6061202TP | 42   | 24      |
| SM1044050SM | 88   | 40      | SM6040802TP | 44   | 43      | SM6061202TP | 44   | 46      |
| SM4030601SN | 32   | 25      | SM6040802TP | 48   | 27      | SM6061202TP | 48   | 20      |
| SM4031851SR | 76   | 63      | SM6040802TP | 54   | 72      | SM6061202TP | 52   | 8       |
| SM4031851SR | 88   | 34      | SM6040802TP | 56   | 72      | SM6061202TP | 54   | 48      |
| SM4040801SN | 32   | 28      | SM6040802TP | 64   | 35      | SM6061202TP | 56   | 48      |
| SM4041001SC | 74   | 28      | SM6040802TR | 24   | 13      | SM6061202TP | 60   | 26      |
| SM4043601SN | 74   | 17      | SM6040802TR | 28   | 34      | SM6061202TP | 64   | 20      |
| SM4051001SN | 32   | 15      | SM6041002TP | 14   | 39      | SM6061202TP | 102  | 15      |
| SM4051405SE | 94   | 18      | SM6041002TP | 18   | 25      | SM6061602TP | 24   | 33      |
| SM4860501SC | 28   | 8       | SM6041002TP | 24   | 56      | SM6061602TP | 44   | 28      |
| SM5040601SC | 84   | 5       | SM6041002TP | 26   | 56      | SM6061602TP | 64   | 24      |
| SM6030402TN | 98   | 9       | SM6041002TP | 30   | 54      | SM6062002TP | 22   | 33      |
| SM6030602TP | 6    | 8       | SM6041002TP | 38   | 29      | SM6062002TP | 44   | 52      |
| SM6030602TP | 20   | 61      | SM6041002TP | 44   | 34      | SM6062002TP | 46   | 52      |
| SM6030602TP | 34   | 7       | SM6041202TP | 10   | 65      | SM6062002TP | 48   | 6       |
| SM6030602TP | 58   | 23      | SM6041202TP | 24   | 69      | SM6062502TP | 72   | 58      |
| SM6030602TP | 64   | 48      | SM6041202TP | 26   | 69      | SM6063002TP | 14   | 18      |
| SM6030602TP | 66   | 48      | SM6041202TP | 28   | 38      | SM6066552TP | 72   | 65      |
| SM6030802TP | 28   | 56      | SM6041202TP | 54   | 34      | SM6082002TN | 34   | 15      |
| SM6030802TP | 30   | 56      | SM6041202TP | 64   | 30      | SM6082002TN | 60   | 10      |
| SM6030802TP | 48   | 44      | SM6041402TP | 18   | 30      | SM6082002TN | 64   | 15      |
| SM6030802TP | 66   | 52      | SM6042002TP | 14   | 26      | SM6082002TN | 70   | 39      |
| SM6031002TP | 16   | 50      | SM6042002TP | 18   | 44      | SM6082502TN | 48   | 23      |
| SM6031002TP | 56   | 70      | SM6042502TP | 18   | 10      | SM8030402TP | 24   | 39      |
| SM6031002TP | 98   | 33      | SM6050802TP | 14   | 37      | SM8030502TP | 58   | 19      |
| SM6031202TP | 18   | 8       | SM6050802TP | 58   | 30      | SM8040402TP | 22   | 30      |
| SM6031202TP | 58   | 14      | SM6051202TP | 10   | 77      | SM8040402TP | 30   | 51      |

# NUMERICAL INDEX OF PARTS

| PART NO     | PAGE | REF NO. | PART NO     | PAGE | REF NO. | PART NO     | PAGE | REF NO. |
|-------------|------|---------|-------------|------|---------|-------------|------|---------|
| SM8040402TP | 52   | 40      | SV4031006SR | 92   | 12      | WP0501016SD | 8    | 69      |
| SM8040402TP | 54   | 10      | TA0800504R0 | 74   | 22      | WP0501016SD | 10   | 69      |
| SM8040402TP | 60   | 20      | TA0800504R0 | 82   | 18      | WP0531000SC | 32   | 30      |
| SM8040402TP | 64   | 27      | WP0280500SC | 28   | 9       | WP0531000SD | 10   | 79      |
| SM8040402TP | 68   | 10      | WP0320500SC | 14   | 44      | WP0531001SC | 58   | 32      |
| SM8040402TP | 98   | 30      | WP0320500SC | 30   | 58      | WP0531001SC | 70   | 13      |
| SM8040602TP | 14   | 33      | WP0320500SC | 32   | 24      | WP0611626SP | 72   | 59      |
| SM8040602TP | 18   | 19      | WP0320501SC | 4    | 8       | WP0612056SD | 72   | 66      |
| SM8040602TP | 22   | 22      | WP0320501SC | 6    | 27      | WP0612516SD | 10   | 63      |
| SM8040602TP | 60   | 31      | WP0320501SC | 16   | 52      | WP0621016SH | 46   | 51      |
| SM8042502TP | 24   | 11      | WP0320501SC | 34   | 9       | WP0621036SP | 72   | 63      |
| SM8050502TP | 14   | 45      | WP0320501SC | 40   | 24      | WP0641600SC | 22   | 35      |
| SM8050502TP | 18   | 43      | WP0320501SC | 42   | 12      | WP0641600SC | 24   | 35      |
| SM8050602TP | 14   | 8       | WP0320501SC | 48   | 46      | WP0641600SC | 32   | 6       |
| SM8050602TP | 18   | 2       | WP0320501SC | 50   | 46      | WP0641600SC | 72   | 49      |
| SM8050602TP | 22   | 26      | WP0320501SC | 56   | 78      | WP0641601SC | 34   | 37      |
| SM8050602TP | 70   | 15      | WP0320501SC | 58   | 24      | WP0641601SC | 40   | 11      |
| SM8050612TP | 22   | 12      | WP0320501SC | 64   | 54      | WP0641601SC | 42   | 26      |
| SM8050812TP | 22   | 16      | WP0320501SC | 66   | 54      | WP0641601SC | 44   | 48      |
| SM8050842TP | 22   | 31      | WP0320501SC | 98   | 35      | WP0641601SC | 46   | 48      |
| SM8050842TP | 28   | 44      | WP0430800SC | 14   | 41      | WP0641601SC | 48   | 22      |
| SM8060802TP | 48   | 35      | WP0430800SC | 18   | 45      | WP0641601SC | 52   | 14      |
| SM8060812TP | 102  | 13      | WP0430800SC | 24   | 72      | WP0641601SC | 54   | 61      |
| SM9041050SC | 52   | 29      | WP0430800SC | 26   | 72      | WP0641601SC | 56   | 61      |
| SM9061003SC | 98   | 3       | WP0430800SC | 28   | 36      | WP0641601SC | 60   | 28      |
| SM9062003SC | 72   | 47      | WP0430800SC | 32   | 13      | WP0641601SC | 64   | 26      |
| SM9066503SC | 70   | 5       | WP0430800SC | 38   | 30      | WP0641601SC | 70   | 71      |
| SM9082003SC | 70   | 32      | WP0430801SC | 20   | 56      | WP0641601SC | 72   | 71      |
| SS4080610SP | 6    | 19      | WP0430801SC | 34   | 43      | WP0641601SC | 98   | 14      |
| SS4110715SP | 4    | 13      | WP0430801SC | 38   | 23      | WP0641601SC | 100  | 11      |
| SS4110815SP | 32   | 3       | WP0430801SC | 40   | 28      | WP0641601SC | 102  | 17      |
| SS6080810SP | 6    | 25      | WP0430801SC | 44   | 45      | WP0651646SC | 70   | 45      |
| SS6111620SP | 6    | 21      | WP0430801SC | 48   | 43      | WP0841601SC | 32   | 31      |
| SS6121210SP | 2    | 18      | WP0430801SC | 52   | 31      | WP0841601SC | 34   | 17      |
| SS7080510TP | 2    | 2       | WP0430801SC | 54   | 74      | WP0841601SC | 48   | 25      |
| SS7090410SP | 8    | 37      | WP0430801SC | 56   | 74      | WP0841601SC | 54   | 8       |
| SS7090410SP | 12   | 13      | WP0430801SC | 58   | 11      | WP0841601SC | 60   | 12      |
| SS7090850SP | 4    | 5       | WP0430801SC | 64   | 37      | WP0841601SC | 64   | 40      |
| SS7091480SP | 8    | 20      | WP0430801SC | 70   | 21      | WP0841601SC | 68   | 13      |
| SS7110840SP | 10   | 54      | WP0430801SC | 98   | 19      | WP0841601SC | 70   | 41      |
| SS9091010SP | 8    | 9       | WP0450801SD | 4    | 15      | WP0841601SC | 102  | 23      |
| SS9110543CP | 10   | 68      | WP0450801SD | 6    | 23      | WP0850002SP | 70   | 3       |
| SS9151120CP | 10   | 62      | WP0450801SD | 32   | 29      | WP1052001SC | 60   | 38      |
| SS9621413SP | 8    | 14      | WP0450801SD | 42   | 17      | WP1612616SE | 94   | 15      |
| ST40316110R | 92   | 10      | WP0451026SH | 6    | 12      | WS0310002KN | 6    | 26      |

NUMERICAL INDEX OF PARTS

| PART NO     | PAGE | REF NO. | PART NO     | PAGE | REF NO. |
|-------------|------|---------|-------------|------|---------|
| WS0310002KN | 16   | 57      | WS0610002KN | 32   | 7       |
| WS0310002KN | 20   | 47      | WS0610002KN | 34   | 36      |
| WS0310002KN | 30   | 57      | WS0610002KN | 40   | 10      |
| WS0310002KN | 34   | 8       | WS0610002KN | 42   | 25      |
| WS0310002KN | 40   | 23      | WS0610002KN | 44   | 47      |
| WS0310002KN | 42   | 11      | WS0610002KN | 46   | 47      |
| WS0310002KN | 48   | 45      | WS0610002KN | 48   | 21      |
| WS0310002KN | 56   | 77      | WS0610002KN | 52   | 13      |
| WS0310002KN | 58   | 15      | WS0610002KN | 54   | 60      |
| WS0310002KN | 64   | 53      | WS0610002KN | 56   | 60      |
| WS0310002KN | 66   | 53      | WS0610002KN | 60   | 27      |
| WS0310002KN | 98   | 34      | WS0610002KN | 64   | 25      |
| WS0310702KS | 76   | 64      | WS0610002KN | 70   | 48      |
| WS0310702KS | 88   | 35      | WS0610002KN | 72   | 48      |
| WS0410002KN | 10   | 73      | WS0610002KN | 98   | 13      |
| WS0410002KN | 14   | 40      | WS0610002KN | 100  | 10      |
| WS0410002KN | 18   | 57      | WS0610002KN | 102  | 16      |
| WS0410002KN | 20   | 57      | WS0820002KN | 34   | 16      |
| WS0410002KN | 24   | 74      | WS0820002KN | 48   | 24      |
| WS0410002KN | 26   | 74      | WS0820002KN | 54   | 7       |
| WS0410002KN | 28   | 35      | WS0820002KN | 60   | 11      |
| WS0410002KN | 34   | 42      | WS0820002KN | 64   | 39      |
| WS0410002KN | 38   | 34      | WS0820002KN | 68   | 12      |
| WS0410002KN | 40   | 27      | WS0820002KN | 70   | 40      |
| WS0410002KN | 44   | 44      | WS0820002KN | 102  | 22      |
| WS0410002KN | 48   | 42      | WS1020002KN | 60   | 37      |
| WS0410002KN | 52   | 30      | WT0320001KN | 82   | 20      |
| WS0410002KN | 54   | 73      | WT0430001KN | 50   | 50      |
| WS0410002KN | 56   | 73      | WT0430001KN | 74   | 23      |
| WS0410002KN | 58   | 10      | WT0640001KN | 70   | 11      |
| WS0410002KN | 64   | 36      |             |      |         |
| WS0410002KN | 70   | 20      |             |      |         |
| WS0410002KN | 98   | 29      |             |      |         |
| WS0410002KN | 100  | 5       |             |      |         |
| WS0451040KP | 4    | 14      |             |      |         |
| WS0451040KP | 6    | 22      |             |      |         |
| WS0510002KN | 10   | 75      |             |      |         |
| WS0510002KN | 14   | 16      |             |      |         |
| WS0510002KN | 58   | 31      |             |      |         |
| WS0510002KN | 70   | 23      |             |      |         |
| WS0510002KP | 10   | 78      |             |      |         |
| WS0510002KS | 18   | 14      |             |      |         |
| WS0610002KN | 16   | 54      |             |      |         |
| WS0610002KN | 22   | 34      |             |      |         |
| WS0610002KN | 24   | 34      |             |      |         |