

MODEL : LZ-2290/LZ-2290-7

List No : 1291-05

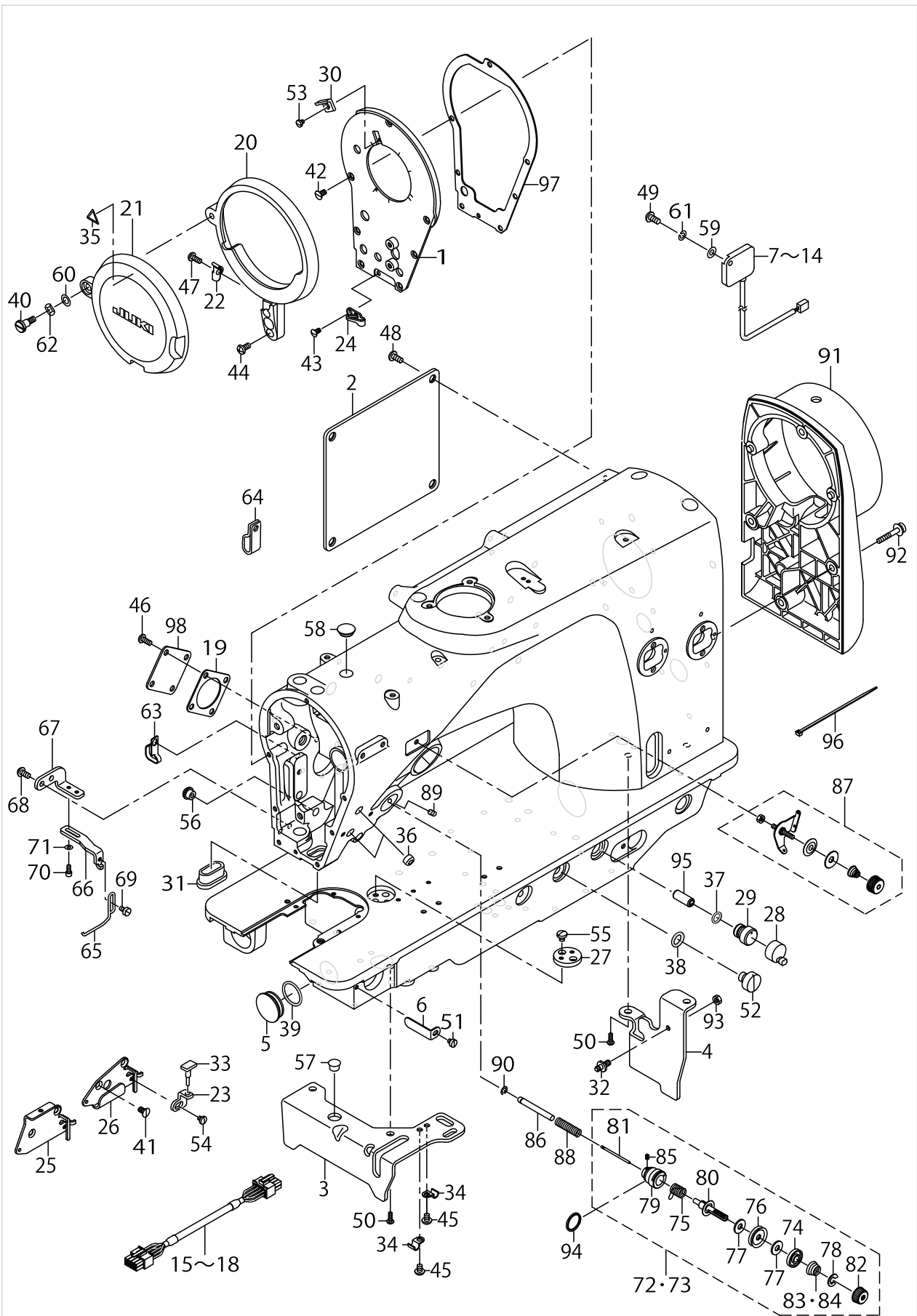
PARTS LIST

Published:05/12/2017

CONTENTS

FRAME & MISCELLANEOUS COVER COMPONENTS (1)	1
FRAME & MISCELLANEOUS COVER COMPONENTS (2)	7
MAIN SHAFT & THREAD TAKE-UP & NEEDLE BAR COMPONENTS	11
NEEDLE VIBRATOR COMPONENTS.....	15
HAND LIFTER COMPONENTS	17
FEED MECHANISM COMPONENTS (1).....	21
FEED MECHANISM COMPONENTS (2).....	25
HOOK DRIVING SHAFT COMPONENTS (1)	27
HOOK DRIVING SHAFT COMPONENTS (2)	29
THREAD TRIMMER MECHANISM COMPONENTS (FOR LZ-2290SS-7,LZ-2290SU-7)	31
FEED MECHANISM COMPONENTS (FOR LZ-2290SU,LZ-2290SU-7,LZ-2290DU,LZ-2290DU-7)....	35
AUTOMATIC REVERSE FEED MECHANISM COMPONENTS (FOR LZ-2290SS-7,LZ-2290SU-7)....	37
THREAD FEEDER COMPONENTS.....	39
THREAD RELEASE SOLENOID COMPONENTS (FOR LZ-2290SS-7,LZ-2290SU-7).....	41
MANUAL SWITCH COMPONENTS (FOR LZ-2290SS,LZ-2290SU)	43
LUBRICATION COMPONENTS	45
WIPER MECHANISM COMPONENTS (FOR LZ-2290SS-7-WB,LZ-2290SU-7-WB).....	49
UNDER COVER COMPONENTS	51
THREAD STAND COMPONENTS.....	53
CP-760 PANEL COMPONENTS	55
SC-905 TRANSMISSION COMPONENTS (1)	57
SC-905 TRANSMISSION COMPONENTS (2)	59
SC-905 ACCESSORIE PART COMPONENTS	63
ACCESSORIE PART COMPONENTS	65
COMMON PARTS FOR LZ-2290DS,LZ-2290DS-7,LZ-2290DU,LZ-2290DU-7.....	69
LIST FOR INFORMATION OF CHANGE.....	71

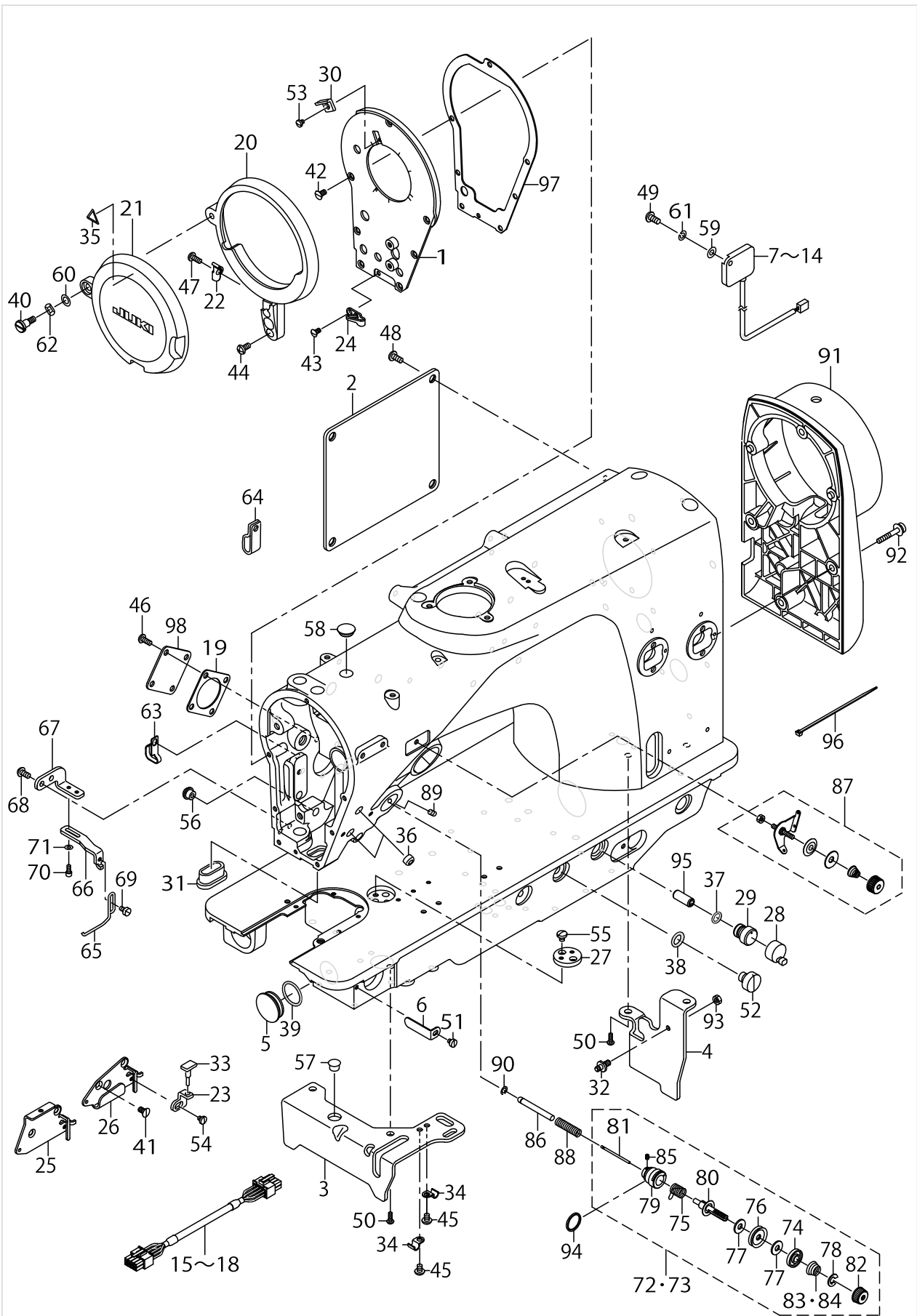
FRAME & MISCELLANEOUS COVER COMPONENTS (1)



FRAME & MISCELLANEOUS COVER COMPONENTS (1)

No.	Supply Code	Parts No.	Replacement	Parts name	Remarks	Choice	Step	Level	Cons	Qty	Rep. QTY
1	R	23500960	23500978	FACE PLATE COMPL.						1	1.00
2		23526205		SIDE PLATE						1	
3		23526312		BED SUPPORT PLATE A						1	
4		23526403		BED SUPPORT PLATE B						1	
5		23527005		GEAR BOX (SMALL) CAP						1	
6	D	23527104		GEAR BOX CAP PRESSER						1	
7		M6099350CAF		RESISTANCE PACK CF ASM.	FOR LZ-22-90SS VARIOUS NOS.-FOR DESTINATIONS					1	
8	D	M6099350CAL		RESISTANCE PACK CL ASM.	FOR LZ-22-90SS VARIOUS NOS.-FOR DESTINATIONS					1	
9		M6096350CAF		RESISTANCE PACK CF ASM.	FOR LZ-22-90SS-7 VARIOUS NOS.-S.FOR DESTINATIONS					1	
10		M6096350CAL		RESISTANCE PACK CL ASM.	FOR LZ-22-90SS-7 VARIOUS NOS.-S.FOR DESTINATIONS					1	
11		M6095350CAA		RESISTANCE PACK CA ASM.	FOR LZ-22-90SU-7 VARIOUS NOS.-S.FOR DESTINATIONS					1	
12		M6095350CAF		RESISTANCE PACK CF ASM.	FOR LZ-22-90SU-7 VARIOUS NOS.-S.FOR DESTINATIONS					1	
13		M6098350CAF		RESISTANCE PACK CF ASM.	FOR LZ-22-90SU VARIOUS NOS.-FOR DESTINATIONS					1	
14		M6098350CAA		RESISTANCE PACK CA ASM.	FOR LZ-22-90SU VARIOUS NOS.-FOR DESTINATIONS					1	
15		M8520476BA0		PM RELAY CABLE B ASM.	FOR LZ-22-90SS,LZ-2290SU					1	
16		M8521476BA0		SW RELAY CABLE B ASM.	FOR LZ-22-90SS,LZ-2290SU					1	
17	D	M8520476AA0		PM RELAY CABLE A ASM.	FOR LZ-22-90SS-7,LZ-2290SU-7					1	
18	D	M8521476AA0		SW RELAY CABLE A ASM.	FOR LZ-22-90SS-7,LZ-2290SU-7					1	
19		22501704		GASKET	FOR LZ-22-90SS,LZ-2290SU					1	
20	R	22502009	26305102	BALANCE COVER BASE						1	1.00
21		22502108		BALANCE COVER						1	
22	R	22502207	26305300	SPRING						1	1.00
23		22502702		SPRING GUARD						1	
24	R	22503007	26305409	SPRING GUARD						1	1.00

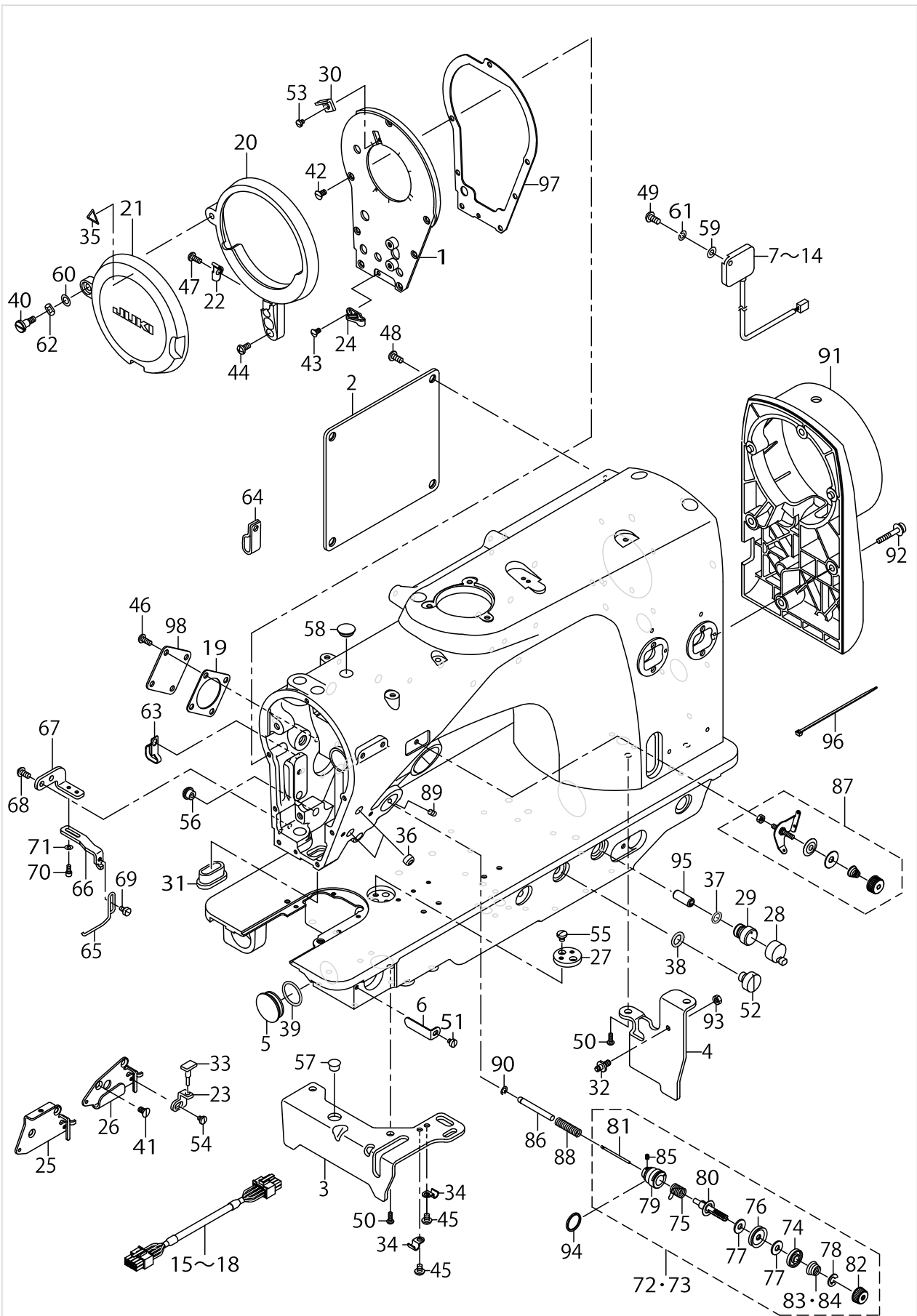
FRAME & MISCELLANEOUS COVER COMPONENTS (1)



FRAME & MISCELLANEOUS COVER COMPONENTS (1)

No.	Supply Code	Parts No.	Replacement	Parts name	Remarks	Choice	Step	Level	Cons	Qty	Rep. QTY
25	R	22596605	26312504	BALANCE THREAD GUIDE T	FOR LZ-22-90SS VARIOUS NOS.- FOR DESTINATIONS					1	1.00
26		22504104		BALANCE THREAD GUIDE A	VARIOUS NOS.FOR DESTINATIONS					1	
27		22902605		RULER STOP SEAT						1	
28		23601305		AIR-DISCHARGING CAP						1	
29		23629900		AIR-DISCHARGING						1	
30		10001709		TAKE-UP THREAD CUTTER						1	
31		10000206		ARM OIL SHIELD						1	
32		13747308		SUSPENSION SCREW						1	
33		11043601		RUBBER STOPPER						1	
34		B3538112000		OIL RETURN TUBE HOLDER						2	
35		CM300200001		ATTENTION SEAL						1	
36		GPR01015000		DRIVING STOPPER RUBBER						2	
37		RO080150200		RUBBER RING						1	
38		RO098240100		RUBBER RING						1	
39		RO195240100		RUBBER RING						1	
40		SD0640751SP		HINGE SCREW D= 6.35 H= 7.5						1	
41		SS1110840SP		SCREW 11/64-40 L=8						2	
42		SS1110840SP		SCREW 11/64-40 L=8						7	
43		SS2090710TP		SCREW 9/64-40 L=7.2						1	
44		SS4110915SP		SCREW 11/64-40 L=9						2	
45		SS4120615SP		SCREW 3/16-28 L=6						2	
46		SS4121015SP		SCREW 3/16-28 L=10	FOR LZ-22-90SS,LZ-2290SU					4	
47		SS4120615SP		SCREW 3/16-28 L=6						1	
48		SS4121015SP		SCREW 3/16-28 L=10						4	
49		SS4121015SP		SCREW 3/16-28 L=10						1	
50		SS4150915SP		SCREW 15/64-28 L=9						4	
51		SS6090420SP		SCREW 9/64-40 L=4.0						1	
52		SS6700710SH		SCREW 5/16-24 L=7						1	
53		SS7080410SP		SCREW 1/8-44 L= 3.8						1	
54		SS7090410SP		SCREW 9/64-40 L=3.5						1	
55		SS7110540SP		SCREW 11/64-40 L=5						2	
56		TA0800504R0		PLUG D=8 L=4.5						1	
57		TA1250406R0		RUBBER PLUG D=12.5 L=4						1	
58		TA1250406R0		RUBBER PLUG D=12.5 L=4						2	
59		WP0501016SD		WASHER 5X10.5X1						1	
60		WP0651056SD		WASHER 6.5X11X1						1	
61		WS0510002KP		SPRING WASHER 5.1X9.2X1.3						1	
62		WZ0641510KP		WAVED WASHER 6.4X11X0.3						1	
63	R	13530001	40022407	UPPER SHAFT FRONT METAL OIL WI						1	1.00
64		D2112555B00		CORD HOLDER, LARGE						2	
65		22529002		SUPPORT BALANCE	VARIOUS NOS.FOR DESTINATIONS					1	

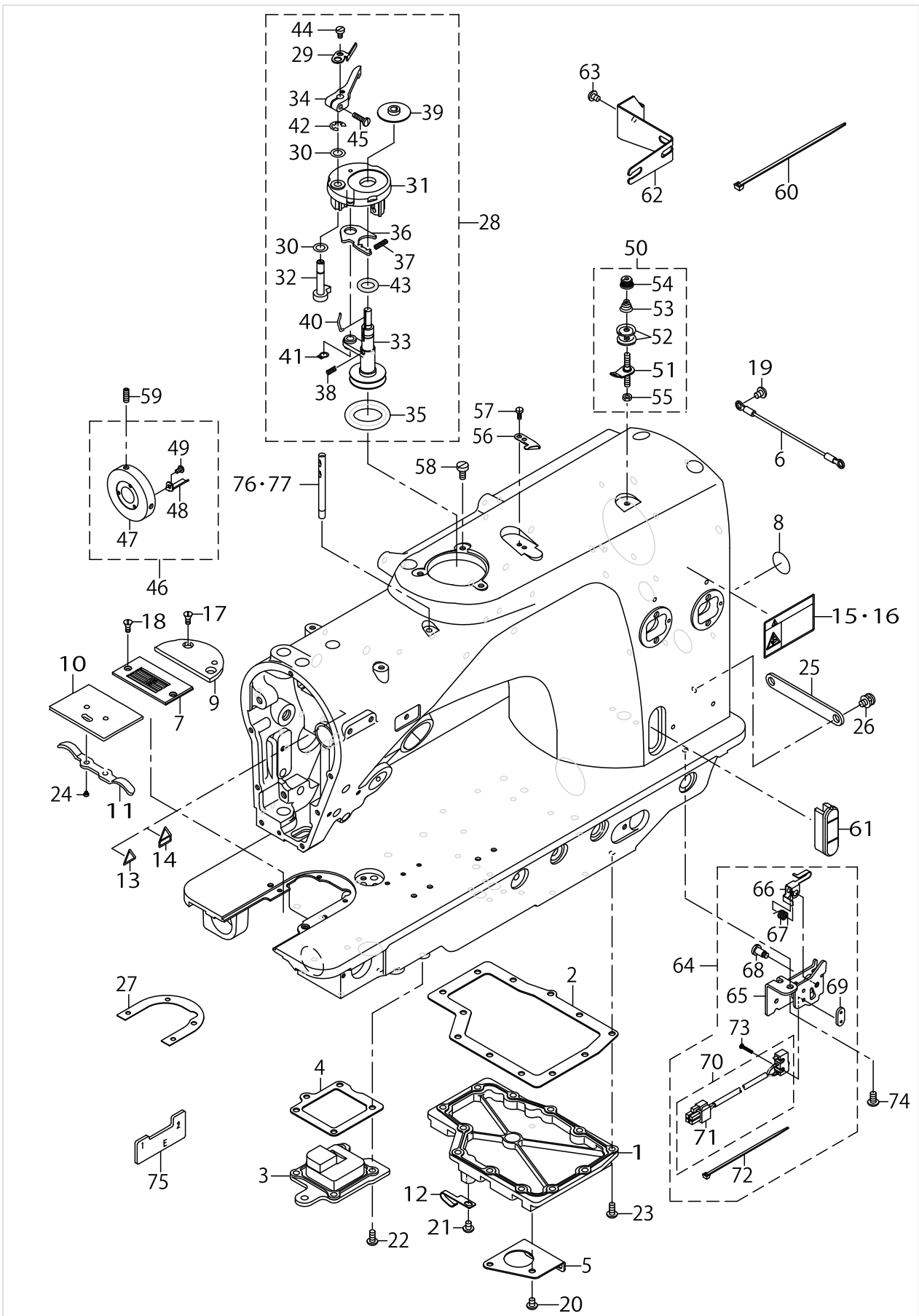
FRAME & MISCELLANEOUS COVER COMPONENTS (1)



FRAME & MISCELLANEOUS COVER COMPONENTS (1)

No.	Supply Code	Parts No.	Replacement	Parts name	Remarks	Choice	Step	Level	Cons	Qty	Rep. QTY
66		22529101		SUPPORT BALANCE BASE	VARIOUS NOS.FOR DESTINATIONS					1	
67		22529200		MOUNTING BASE	VARIOUS NOS.FOR DESTINATIONS					1	
68		SS4110915SP		SCREW 11/64-40 L=9	VARIOUS NOS.FOR DESTINATIONS					2	
69		SS6090540SP		SCREW 9/64-40 L=5.0	VARIOUS NOS.FOR DESTINATIONS					1	
70		SS6580752TP		SCREW 1/8-40 L=7	VARIOUS NOS.FOR DESTINATIONS					2	
71		WP03305000E		WASHER 3.3X6X0.5	VARIOUS NOS.FOR DESTINATIONS					2	
72	R	23537558	23537566	THREAD TENSION ASM. A	VARIOUS NOS.FOR DESTINATIONS					1	1.00
73	R	23537954	23537962	THREAD TENSION ASM. B	VARIOUS NOS.FOR DESTINATIONS					1	1.00
74		10006005		TENSION DISC HOLDER				*		1	
75		10006104		TAKE-UP SPRING				*		1	
76	R	22528350	23547557	THREAD TENSION DISK COMPL.				*		1	1.00
77		22528509		FELT				*		4	
78		22921407		ROTATION STOPPER				*		1	
79		23537657		THREAD TENSION ROD BASE ASM.				*		1	
80		23537756		THREAD TENSION ROD COMPL.				*		1	
81	R	23537806	23537855	THREAD RELEASE PIN				*		1	1.00
82		23626005		THREAD TENSION NUT				*		1	
83		B3121352000		TENSION SPRING	VARIOUS NOS.FOR DESTINATIONS			*		1	
84		B3129012A00		TENSION SPRING	VARIOUS NOS.FOR DESTINATIONS			*		1	
85		SS8090670SP		SCREW 9/64-40 L=5.5				*		1	
86	R	23538002	40011123	THREAD RELEASE AUXILIARY PIN						1	1.00
87	R	22528764	40050700	PRE-TENSION CONTROLLER ASM.						1	1.00
88	R	11018405	22920409	THREAD RELEASE PIN SPRING						1	1.00
89		SS8110750SP		SCREW 11/64-40 L= 6.5						1	
90		RE0400000K0		E-RING 4						1	
91		23600604		PULLEY COVER						1	
92		SL6052592TN		BOLT						4	
93		NS6110350SP		NUT 11/64-40						1	
94		RO137230100		RUBBER RING						1	
95		PS0800202KH		SPRING PIN 8X20						1	
96		EA9500B0100		CABLE BAND						1	
97		23527401		FACE PLATE PACKING						1	
98		22501605		THREAD RELEASE WINDOW PLATE	FOR LZ-22-90SS,LZ-2290SU					1	

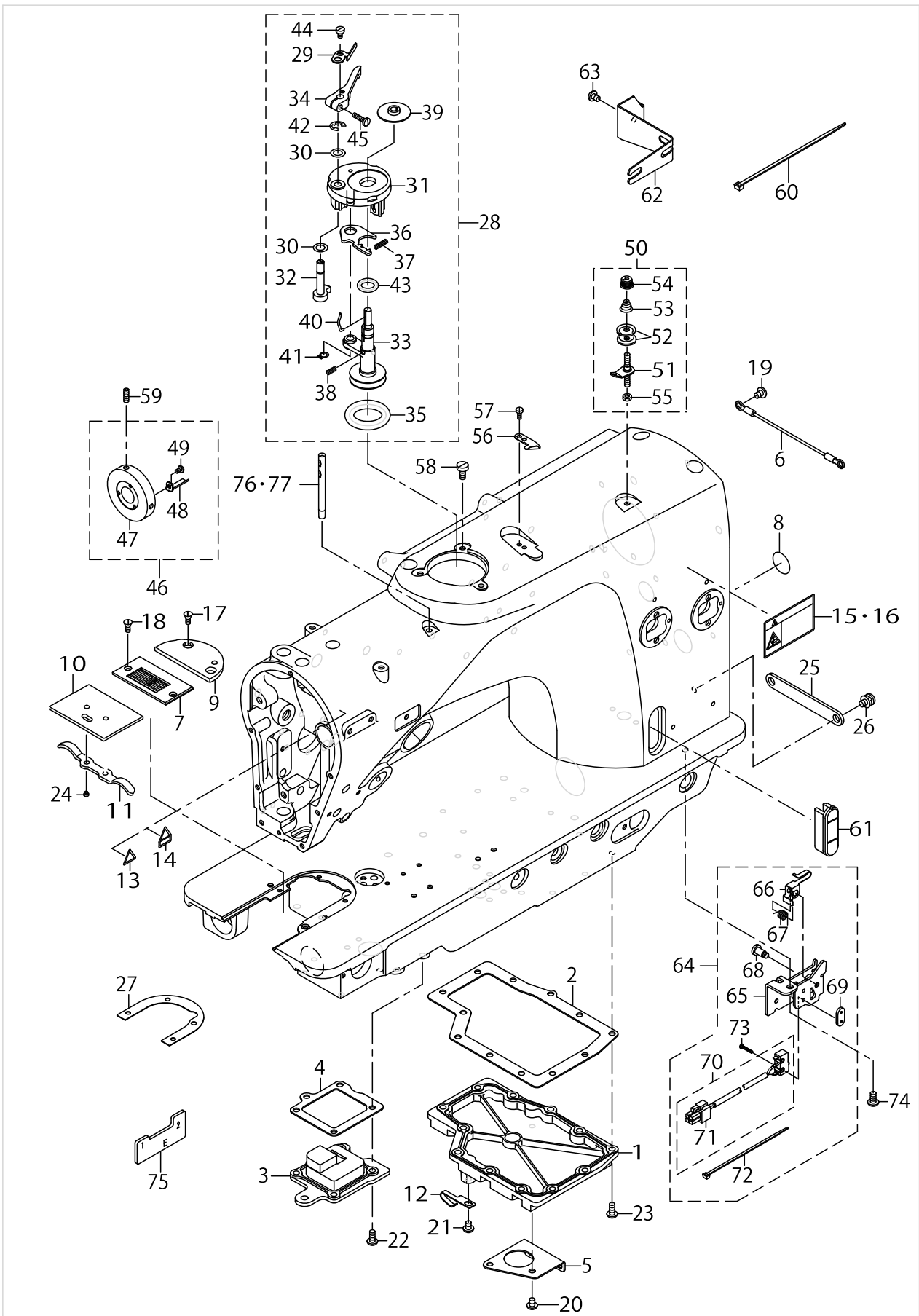
FRAME & MISCELLANEOUS COVER COMPONENTS (2)



FRAME & MISCELLANEOUS COVER COMPONENTS (2)

No.	Supply Code	Parts No.	Replacement	Parts name	Remarks	Choice	Step	Level	Cons	Qty	Rep. QTY
1	D	23526502		GEAR BOX (LARGE) COVER						1	
2		23526601		GEAR BOX (LARGE) PACKING						1	
3		23526700		GEAR BOX (SMALL) COVER						1	
4		23526809		GEAR BOX (SMALL) PACKING						1	
5		23527203		PIPE GUIDE PLATE						1	
6		M8524476AA0		GROUND WIRE A ASM.						1	
7		22582407		NEEDLE PLATE						1	
8	R	10004109	22901805	GROUND MARK						1	1.00
9	R	10004208	26300103	BED PLATE						1	1.00
10	R	10004307	26314757	BED SLIDE						1	1.00
11		11001609		BED SLIDE SPRING						1	
12	R	13530209	26230409	LUBRICATING OIL WICK STOPPER						1	1.00
13		CM300200001		ATTENTION SEAL	VARIOUS NOS.FOR DESTINATIONS					1	
14		CM3002000A1		CAUTION LABEL(16)	VARIOUS NOS.FOR DESTINATIONS					1	
15		CM300200101		SAFETY LABEL, 1(SMALL).	VARIOUS NOS.FOR DESTINATIONS					1	
16		CM3002001A1		SAFETY LABEL.,3 (SMALL).	VARIOUS NOS.FOR DESTINATIONS					1	
17	R	SS2090710SP	SS2090710TP	SCREW 9/64-40 L=7						2	1.00
18		SS2090810SP		SCREW 9/64-40 L= 7.5						2	
19		SS4120615SP		SCREW 3/16-28 L=6						1	
20		SS4120615SP		SCREW 3/16-28 L=6						1	
21		SS4120615SP		SCREW 3/16-28 L=6						1	
22		SS4121015SP		SCREW 3/16-28 L=10						4	
23		SS4121015SP		SCREW 3/16-28 L=10						12	
24		SS6060210SP		SCREW 3/32-56 L=1.9						2	
25		23639602		CONNECTING ROD						1	
26		SL4051091SC		SCREW M5X0.8 L=10						2	
27		22503908		SPACER	FOR LZ-2290SU-7					1	
28	R	23527559	40026835	BOBBIN DEVICE ASM.		A				1	1.00
28	R	23527559	40020454	BOBBIN DEVICE ASM.						1	1.00
29		23527500		BOBBIN ADJUSTING PLATE				*		1	
30	D	E5168172000		WASHER				*		2	
31		22537658		BOBBIN FITTING BASIS COMPL.				*		1	
32		22538151		BOBBIN CAM SHAFT COMPL.				*		1	
33	R	23636053	40023021	BOBBIN WINDER SHAFT COMPL.		A	DDL9000,D-LN9010,DP-2100,LH4100	*		1	1.00
33	R	23636053	40026835	BOBBIN WINDER SHAFT COMPL.		B	LZ2290A	*		1	1.00
33	R	23636053	40020454	BOBBIN WINDER SHAFT COMPL.				*		1	1.00
34		23636202		BOBBIN LEVER				*		1	
35		23636301		RING				*		1	
36		22538409		ADJUSTING PLATE				*		1	
37	R	B1148555000	22912109	SPRING				*		1	1.00
38		B152989000CA		PRESSUR FOOT SPRING				*		1	

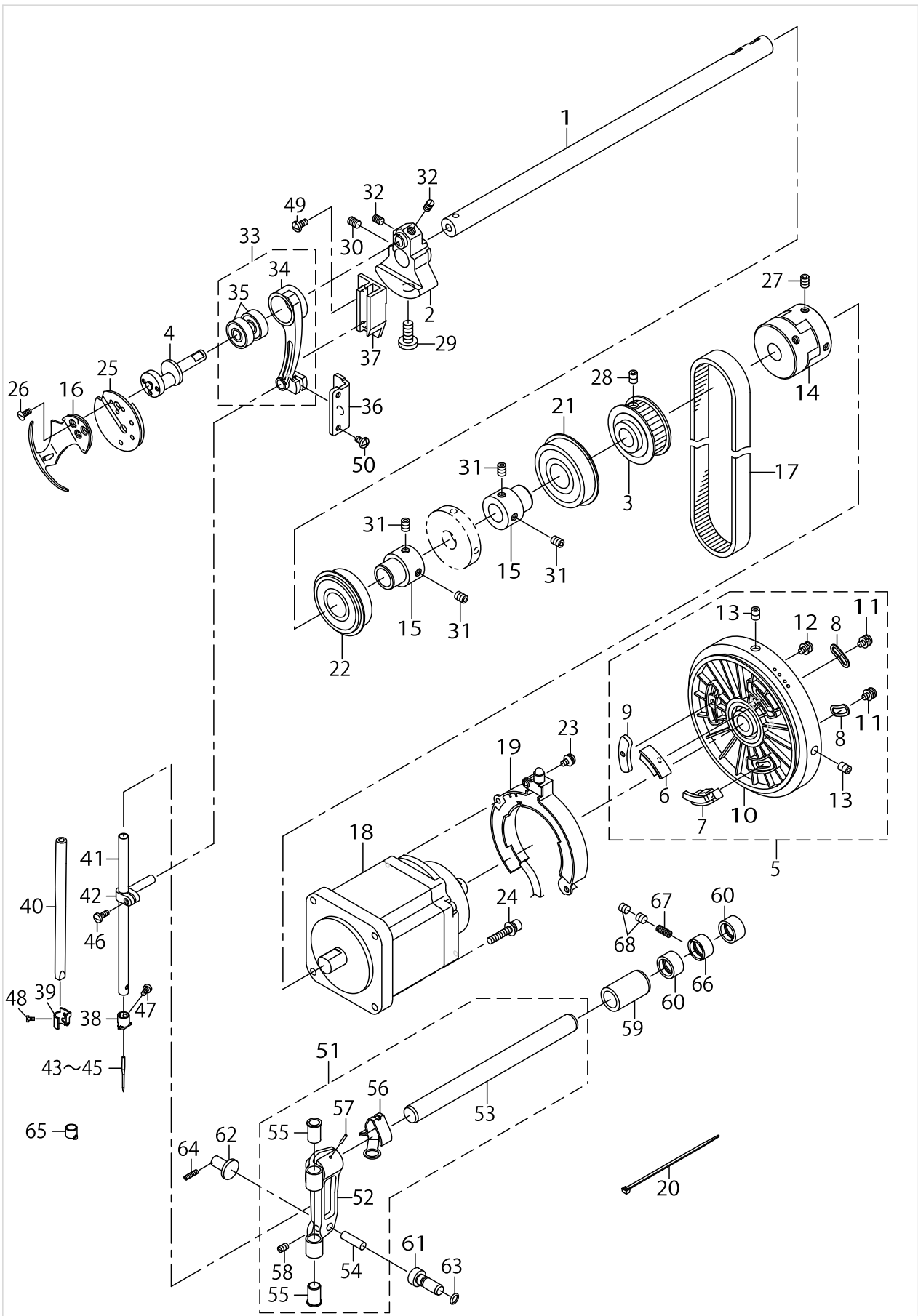
FRAME & MISCELLANEOUS COVER COMPONENTS (2)



FRAME & MISCELLANEOUS COVER COMPONENTS (2)

No.	Supply Code	Parts No.	Replacement	Parts name	Remarks	Choice	Step	Level	Cons	Qty	Rep. QTY
39		B3205210000		CUSHION				*		1	
40		B3212761000		LATCH SPRING				*		1	
41		RC0560711KP		RETAINING RING				*		1	
42		RE0500000K0		E-RING				*		1	
43		RO092270200		RUBBER RING				*		1	
44		SS6090520SP		SCREW 9/64-40 L=5.0				*		1	
45		SS7091410SP		SCREW 9/64-40 L=13.5				*		1	
46	R	23528557	40026835	BOBBIN DRIVING WHEEL ASM.		A				1	1.00
46	R	23528557	40020454	BOBBIN DRIVING WHEEL ASM.						1	1.00
47		23528508		BOBBIN DRIVING WHEEL				*		1	
48		23528607		BOBBIN DRIVING WHEEL BLADE				*		3	
49		SM4030501SN		SCREW M3 L=5				*		3	
50		22529481		BOBBIN THREAD TENSION ASM.						1	
51		22529473		BOBBIN THREAD T- ENSION ROD ASM.				*		1	
52	R	B3214047000	22945802	BOBBIN WINDER TENSION DISC				*		2	1.00
53		11093606		THREAD TENSION SPRING				*		1	
54		11072402		THREAD TENSION NUT				*		1	
55		NS6110310SP		NUT 11/64-40				*		1	
56		10502300		THREAD CUTTER						1	
57		SS6090620TP		SCREW						2	
58		SS6121030SN		SCREW 3/16-28 L=10						3	
59		SS8111251SP		SCREW 11/64-40 L=12.0						2	
60		EA9500B0200		CABLE BAND 150						1	
61		23629108		OIL SIGHT WINDOW						1	
62		23539901		HEAD LUBRICATION PIPE STOPPER						1	
63		SS4120915SP		SCREW 3/16-28 L=9						1	
64		23541352		SAFETY SWITCH ASM.						1	
65	R	23541303	23541352	SAFETY SWITCH BASE				*		1	1.00
66		23638109		SAFETY SWITCH ARM				*		1	
67	R	23638208	23638059	SAFETY SWITCH SPRING				*		1	1.00
68		23638307		SAFETY SWITCH ARM SHAFT				*		1	
69	R	23638406	23638059	SAFETY SWITCH STOPPER PLATE				*		1	1.00
70		23541451		SAFETY SWITCH CORD ASM.				*		1	
71		HK034610060		HOUSING 6P				*		1	
72		EA9500B0100		CABLE BAND				*		1	
73		SM4021201SC		SCREW M2 L=12				*		2	
74		SS4120915SP		SCREW 3/16-28 L=9						2	
75		22536502		TIMING GAUGE E						1	
76	R	B1114012000	22958300	THREAD GUIDE PIN	FOR LZ-22- 90SS,LZ-2290SU					1	1.00
77		22502504		THREAD GUIDE BAR	FOR LZ-22- 90SS-7,LZ- -2290SU-7					1	

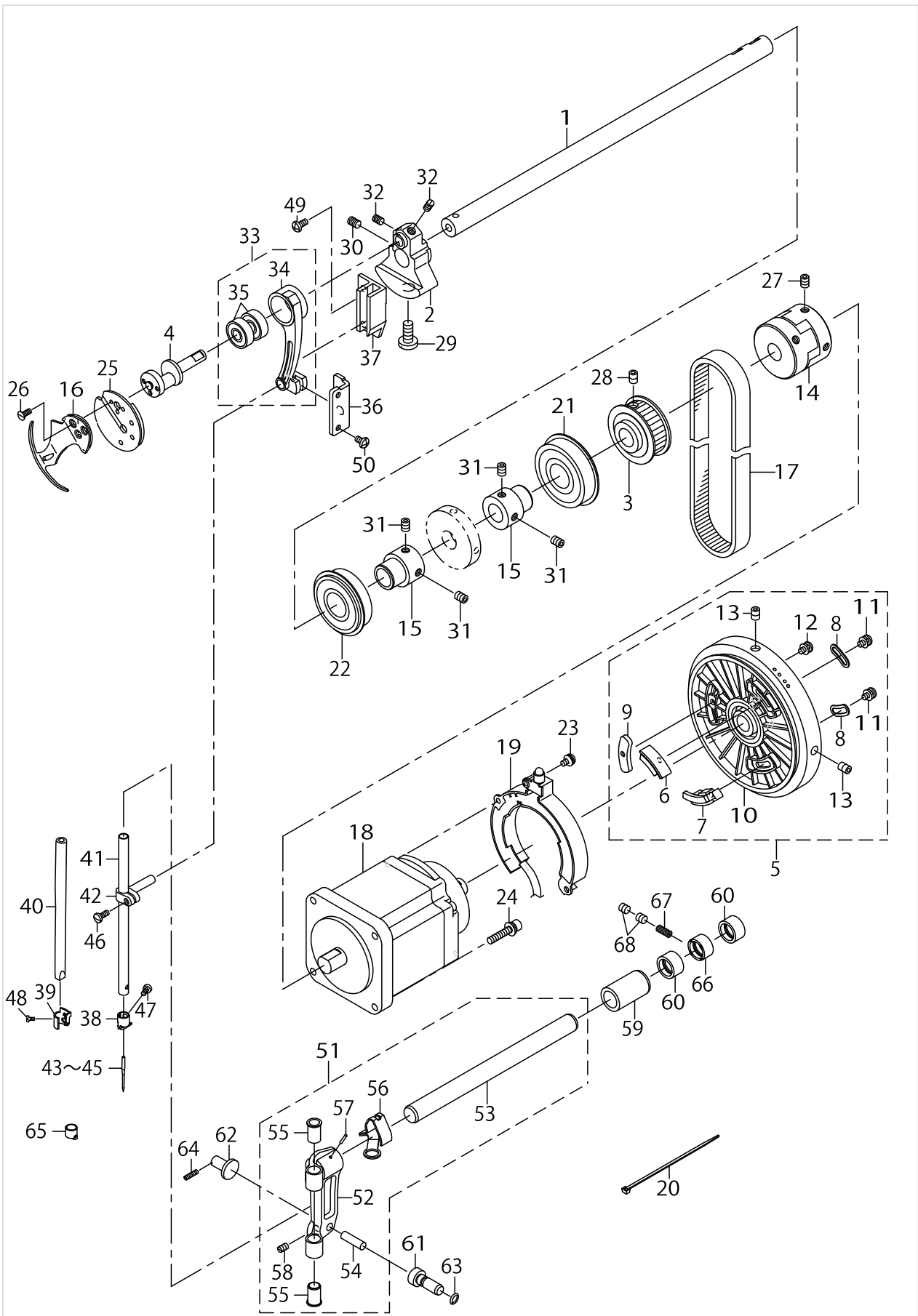
MAIN SHAFT & THREAD TAKE-UP & NEEDLE BAR COMPONENTS



MAIN SHAFT & THREAD TAKE-UP & NEEDLE BAR COMPONENTS

No.	Supply Code	Parts No.	Replacement	Parts name	Remarks	Choice	Step	Level	Cons	Qty	Rep. QTY
1		23527906		UPPER SHAFT						1	
2	R	23527807	40010324	COUNTER WEIGHT						1	1.00
3	R	23528003	40160261	UPPER SHAFT SPROCKET						1	1.00
4		23528102		NEEDLE ROD CRANK						1	
5		23528250		HAND WHEEL ASM.						1	
6		23528359		MAGNET FITTING BASE COMPL. U				*		1	
7		23528458		MAGNET FITTING BASE COMPL. D				*		1	
8		23605009		HAND WHEEL WASHER				*		2	
9		23604804		BALANCE PLATE				*		1	
10		23528201		HAND WHEEL				*		1	
11		SL4040881SC		SCREW M4 L=8				*		2	
12		SL4040881SC		SCREW M4 L=8				*		1	
13		SM8060812TP		SCREW M6 L=8				*		2	
14	R	23604309	40051473	COUPLING						1	1.00
15		23604200		MAIN SHAFT BEARING SUPPORT						2	
16		22506208		BALANCE V						1	
17		22505705		TIMING BELT						1	
18	D	M6001471AA0		MOTOR A ASM.						1	
19		M68014710A0		SYNC ASM.						1	
20		EA9500B0100		CABLE BAND						1	
21		SB120000800		BEARING						1	
22		SB120000900		BEARING						1	
23		SL4040881SC		SCREW M4 L=8						2	
24		SL6052592TN		BOLT						4	
25		10008753		TAKE-UP COUNTERWEIGHT ASM.						1	
26		SS1090930SP		SCREW 9/64-40 L=8.6						3	
27		SM8060812TP		SCREW M6 L=8						4	
28		SM8060812TP		SCREW M6 L=8						2	
29		SS7681650TP		SCREW 9/32-28 L=16						1	
30		SS8680730SP		SCREW 9/32-28 L=7						1	
31		SM8060812TP		SCREW M6 L=8						8	
32		SS8660610TP		SCREW 1/4-40 L=6						2	
33		23528755		NEEDLE ROD CRANK ROD ASM.						1	
34	R	23528706	23528755	NEEDLE ROD CRANK ROD				*		1	1.00
35		SB108000400		BUSHING				*		2	
36	R	23528805	40010281	NEEDLE ROD CRANK ROD GUIDE						1	1.00
37	R	23528904	40010277	NEEDLE ROD HOLDER GUIDE						1	1.00
38	R	22507909	26305706	NEEDLE ROD THREAD RACK	VARIOUS NOS.FOR DESTINATIONS					1	1.00
39		22507404		THREAD RACK	VARIOUS NOS.FOR DESTINATIONS					1	
40	R	22507503	40015494	NEEDLE ROD	VARIOUS NOS.FOR DESTINATIONS					1	1.00
41	R	22507800	22507818	NEEDLE ROD	VARIOUS NOS.FOR DESTINATIONS	A				1	1.00

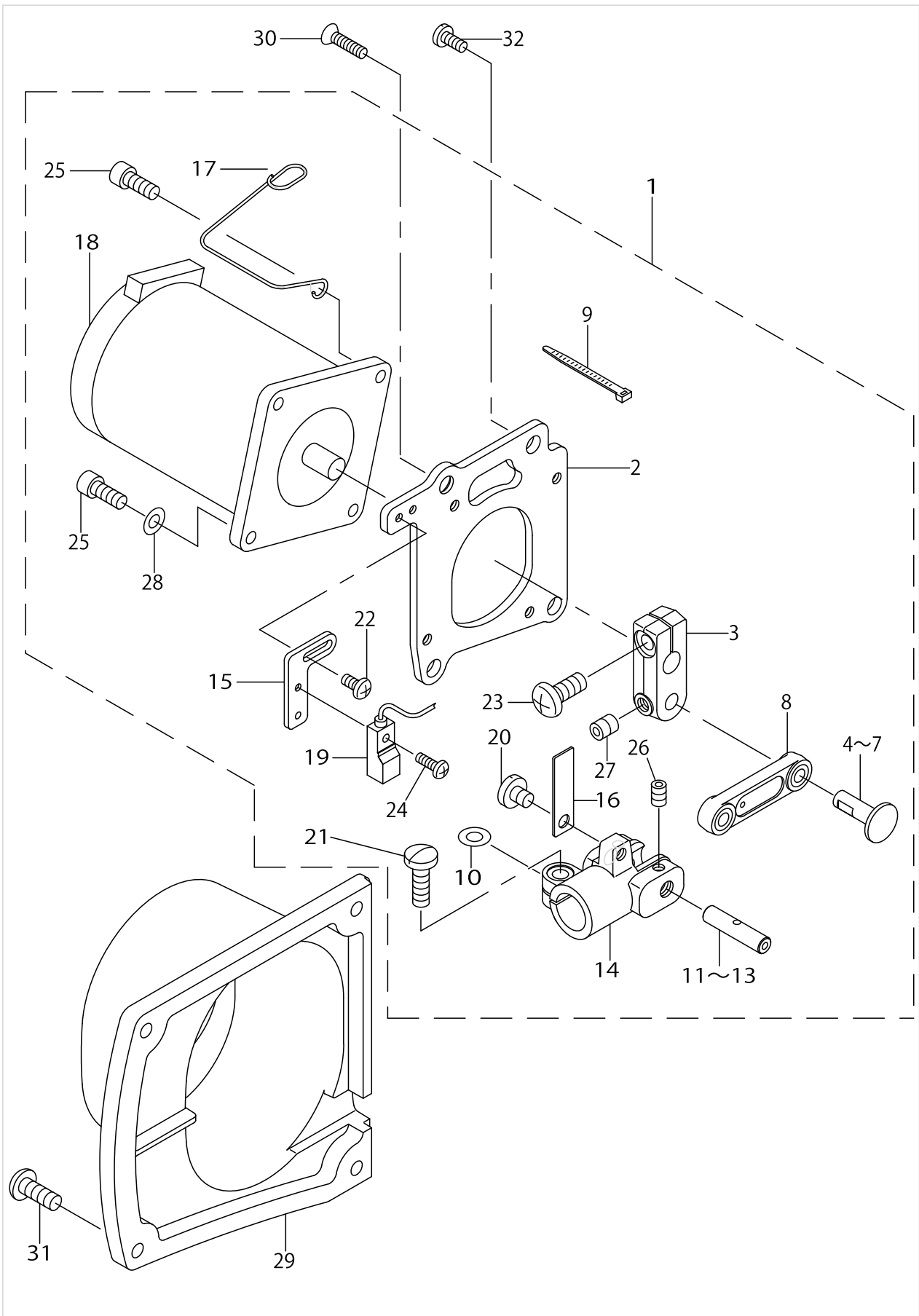
MAIN SHAFT & THREAD TAKE-UP & NEEDLE BAR COMPONENTS



MAIN SHAFT & THREAD TAKE-UP & NEEDLE BAR COMPONENTS

No.	Supply Code	Parts No.	Replacement	Parts name	Remarks	Choice	Step	Level	Cons	Qty	Rep. QTY
41	R	22507800	22507701	NEEDLE ROD	VARIOUS NOS.FOR DESTINATIONS	A				1	1.00
42	R	22507305	40056873	NEEDLE BAR CONNECTION						1	1.00
43		MC2005F0700		NEEDLE 134SUK 70	VARIOUS NOS.FOR DESTINATIONS					1	
44		MC192300750		NEEDLE 438 #75	VARIOUS NOS.FOR DESTINATIONS					1	
45		MDP500B1000		NEEDLE DPX5 #10	VARIOUS NOS.FOR DESTINATIONS					1	
46		SS7090910TP		SCREW 9/64-40 L=8.5						1	
47		SS7080520SP		SCREW 1/8-44 L=4.9						1	
48		SS7060310SP		SCREW 3/32-56 L=3	VARIOUS NOS.FOR DESTINATIONS					1	
49		SS4110915SP		SCREW 11/64-40 L=9						2	
50		SS4110715SP		SCREW 11/64-40 L=7						2	
51		23529159		NEEDLE ROD SUPPORT BASE ASM.						1	
52	R	23529100	23529159	NEEDLE ROD SUPPORT BASE				*		1	1.00
53	R	23529209	23529159	NEEDLE ROD SUPPORT BASE SHAFT				*		1	1.00
54		23529308		SUPPORT BASE GUIDE SHAFT				*		1	
55		23529506		NEEDLE ROD METAL				*		2	
56		23529407		NEEDLE ROD SUPPORT BASE FELT				*		1	
57		PS0400222K0		SPRING PIN				*		1	
58		SS8120740SP		SCREW 3/16-28 L=7				*		1	
59	R	23529803	40010315	SUPPORT BASE SH-AFT FRONT METAL						1	1.00
60		23531114		SUPPORT BASE SH-AFT REAR METAL						2	
61	R	23529605	40010297	SUPPORT BASE GUIDE PIN A						1	1.00
62	R	23529704	40010296	SUPPORT BASE GUIDE PIN B						1	1.00
63		RO037180100		RUBBER RING						1	
64		SS8151230SP		SCREW 15/64-28 L=12						1	
65		22507701		THRED RACK, RIGHT	FOR LZ-22-90SS-7-WB, LZ-2290S-U-7-WB V-ARIOUS NOS.FOR DESTINATIONS					1	
66	R	23531213	23544901	SUPPORT BASE SH-AFT FRONT METAL		A				1	1.00
66	R	23531213	23531221	SUPPORT BASE SH-AFT FRONT METAL		A				1	1.00
67		22683809		SPRING						1	
68		SS8660612TP		SCREW 1/4-40 L=6						2	

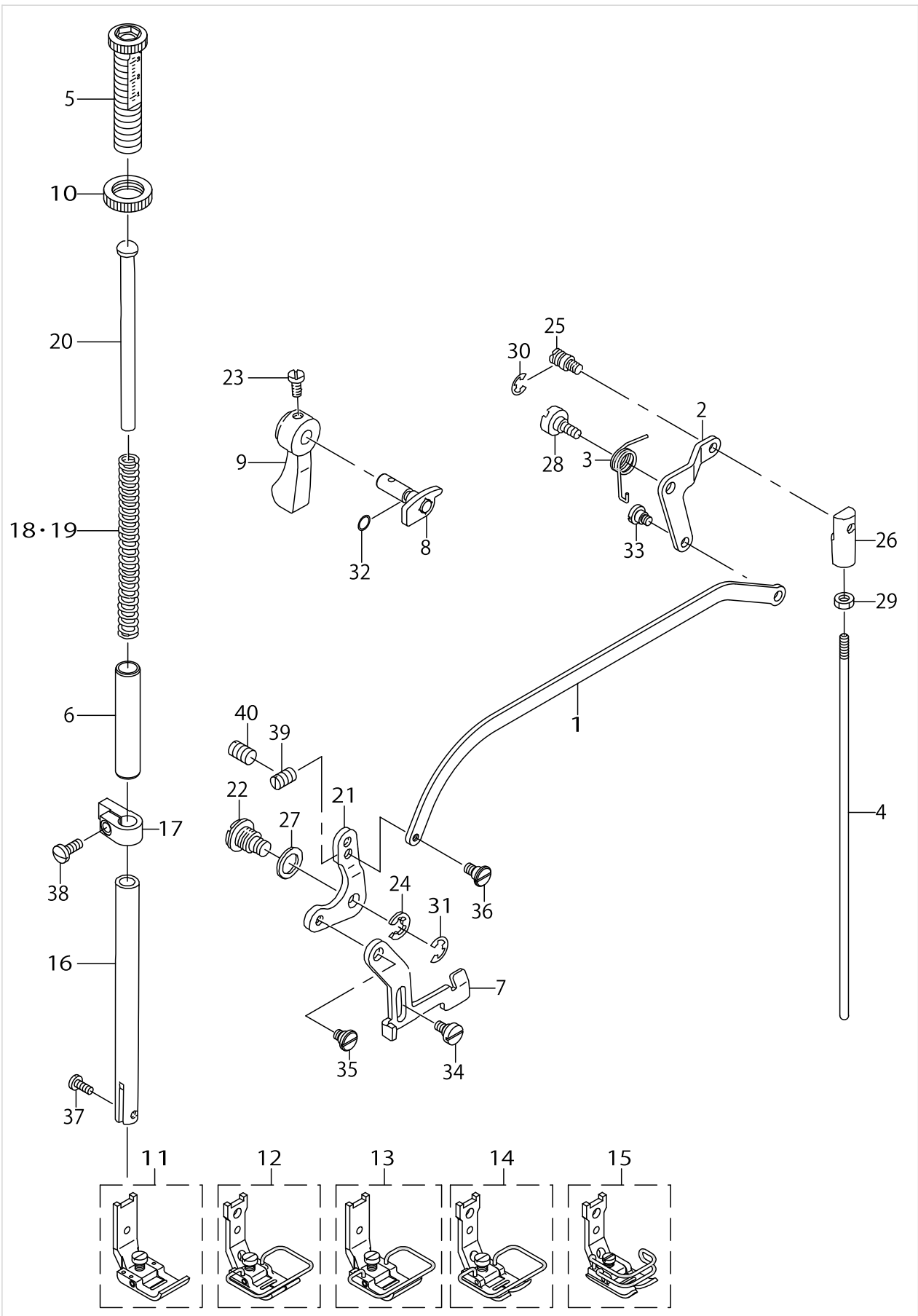
NEEDLE VIBRATOR COMPONENTS



NEEDLE VIBRATOR COMPONENTS

No.	Supply Code	Parts No.	Replacement	Parts name	Remarks	Choice	Step	Level	Cons	Qty	Rep. QTY
1	D	23530066		NEEDLE VIBRATOR UNIT						1	
2		23530009		NEEDLE VIBRATOR UNIT BASIS				*		1	
3	R	23530116	40010278	MOTOR LINK				*		1	1.00
4	R	23544109	40010286	JUNCTION SHAFT A	SELECTIVE PART			*		1	1.00
5	R	23544208	40010287	JUNCTION SHAFT B	SELECTIVE PART			*		1	1.00
6	R	23544307	40010288	JUNCTION SHAFT C	SELECTIVE PART			*		1	1.00
7	R	23544802	40010289	JUNCTION SHAFT D	SELECTIVE PART			*		1	1.00
8		23530355		SHAFT CONNECTION LINK ASM.				*		1	
9		EA9500B0100		CABLE BAND				*		2	
10		WP0520656SA		WASHER 5.2X9.5X0.6				*		1	
11		23544406		SHAFT CONNECTION PIN A	SELECTIVE PART			*		1	
12		23544505		SHAFT CONNECTION PIN B	SELECTIVE PART			*		1	
13		23544604		SHAFT CONNECTION PIN C	SELECTIVE PART			*		1	
14		23530611		SUPPORT BASE SH-AFT CONNECTION				*		1	
15		23530702		SENSOR FITTING PLATE				*		1	
16		23530801		SENSOR SLIT				*		1	
17		23531007		CORD CLAMP				*		1	
18		KM000000350		PULSE MOTOR				*		1	
19		M8523476AA0		ZERO SENSOR A ASM.				*		1	
20		SS7110510SP		SCREW 11/64-40 L=5				*		1	
21		SS7121410TP		SCREW 3/16-28 L=14				*		1	
22		SM4030655SP		SCREW				*		2	
23		SM4051255SP		SCREW..M5 L=12.				*		1	
24		SM4860801SN		SCREWER M2.6 L=8				*		1	
25		SM6041002TP		SCREW M4 L=10				*		4	
26		SM8040612TP		SCREW M4 L=6				*		2	
27		SM8050612TP		SCREW M5X6				*		1	
28		WP0482016SZ		WASHER				*		2	
29		23530900		NEEDLE VIBRATOR UNIT COVER						1	
30		SS1151310TP		SCREW						1	
31		SS4121215SP		SCREW 3/16-28 L=12						4	
32		SS7150740SP		SCREW 15/64-28 L=7						3	

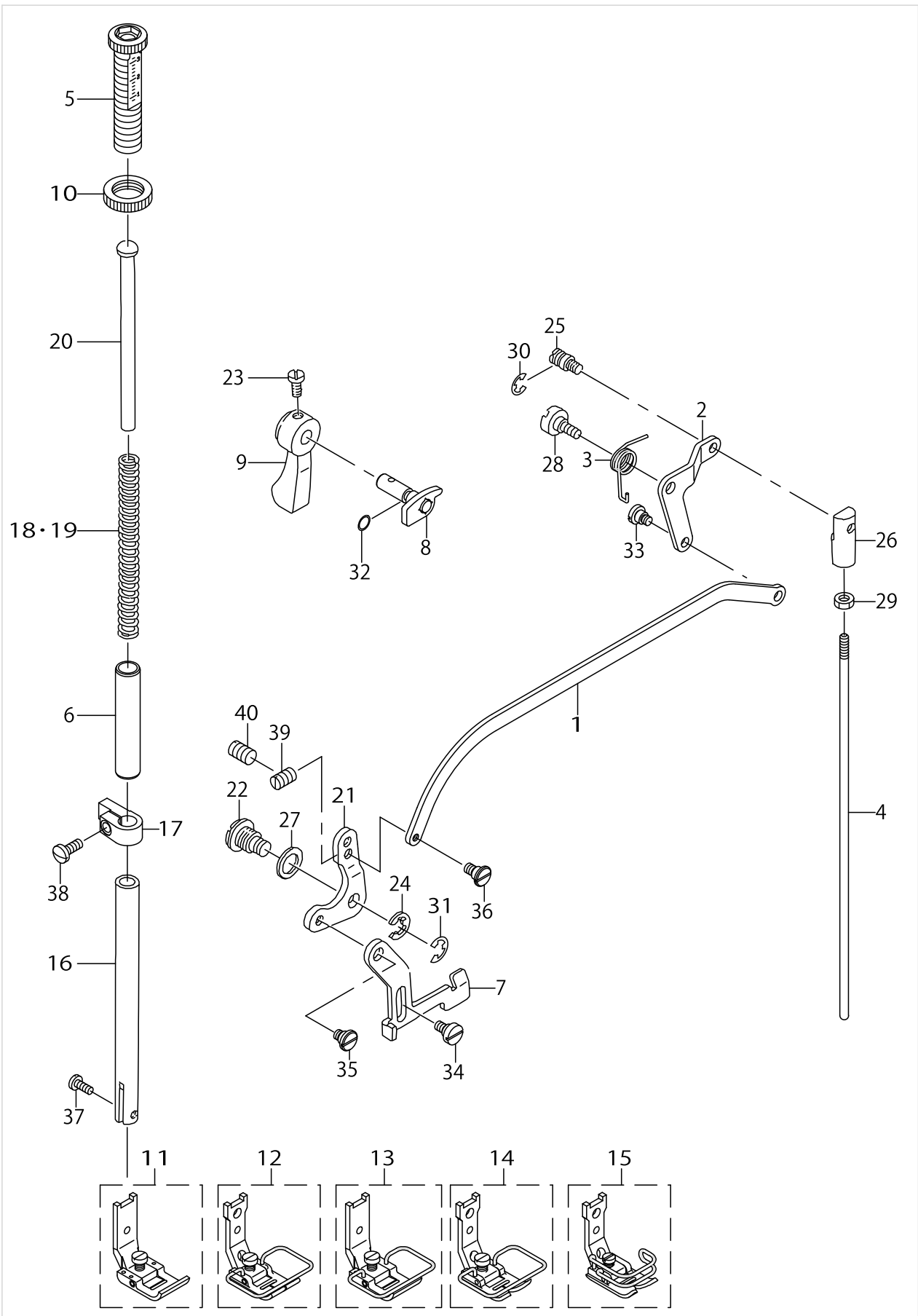
HAND LIFTER COMPONENTS



HAND LIFTER COMPONENTS

No.	Supply Code	Parts No.	Replacement	Parts name	Remarks	Choice	Step	Level	Cons	Qty	Rep. QTY
1		23531304		KNEE LIFTING SIDE ROD LINK						1	
2		23531403		KNEE LIFTING LINK						1	
3		23531502		KNEE LIFTING LINK SPRING						1	
4		23531601		KNEE LIFTING JUNCTION ROD						1	
5		23609209		PRESSER SPRING REGULATOR						1	
6		23609001		BUSHING						1	
7	R	22515506	26308007	LIFTING LEVER						1	1.00
8	R	22515357	26307850	HAND LIFTER CAM COMPL.						1	1.00
9	R	11071800	22907802	HAND LIFTER						1	1.00
10	R	11071701	22907554	NUT						1	1.00
11		10055051		PRESSER FOOT ASM.	FOR LZ-22-90SS,LZ-2-290SS-7-OB VARIOUS NOS.FOR DESTINATIONS					1	
12		22584965		PRESSER FOOT ASM.	FOR LZ-22-90SS,LZ-2-290SS-7 VARIOUS NOS.FOR DESTINATIONS					1	
13		22580864		PRESSER ASM.	FOR LZ-22-90SS-7-OB VARIOUS NOS.FOR DESTINATIONS					1	
14		23503154		PRESSER ASM.	FOR LZ-22-90SU,LZ-2-290SU-7 VARIOUS NOS.FOR DESTINATIONS					1	
15		23503162		PRESSER ASM.	FOR LZ-22-90SU,LZ-2-290SU-7 VARIOUS NOS.FOR DESTINATIONS					1	
16	R	10022010	40125469	PRESSER BAR						1	1.00
17	R	10022309	26302901	PRESSER BAR GUIDE BRACKET						1	1.00
18		B1505227T00A		PRESSER SPRING T	VARIOUS NOS.FOR DESTINATIONS					1	
19		22907406		PRESSER SPRING	VARIOUS NOS.FOR DESTINATIONS					1	
20	R	B1510227000	22907703	PRESSER GUIDE BAR						1	1.00
21		B1516552000		LIFTING LEVER LINK						1	
22		B1517552000		HINGE PIN						1	
23		B1521555000		SCREW						1	
24		B1523226000		SNAP RING						1	
25		B3416552000		CONNECTING ROD HINGE SCREW						1	
26		B3416555000		SWIVEL						1	
27		B3431581000		LIFTING LEVER GASKET						1	
28		GAK33041000		KNEE LIFTING LINK STEP-SCREW						1	
29		NS6620310SP		NUT 3/16-32						1	
30		RE0500000K0		E-RING						1	
31		RE0600000K0		E-RING 6						1	

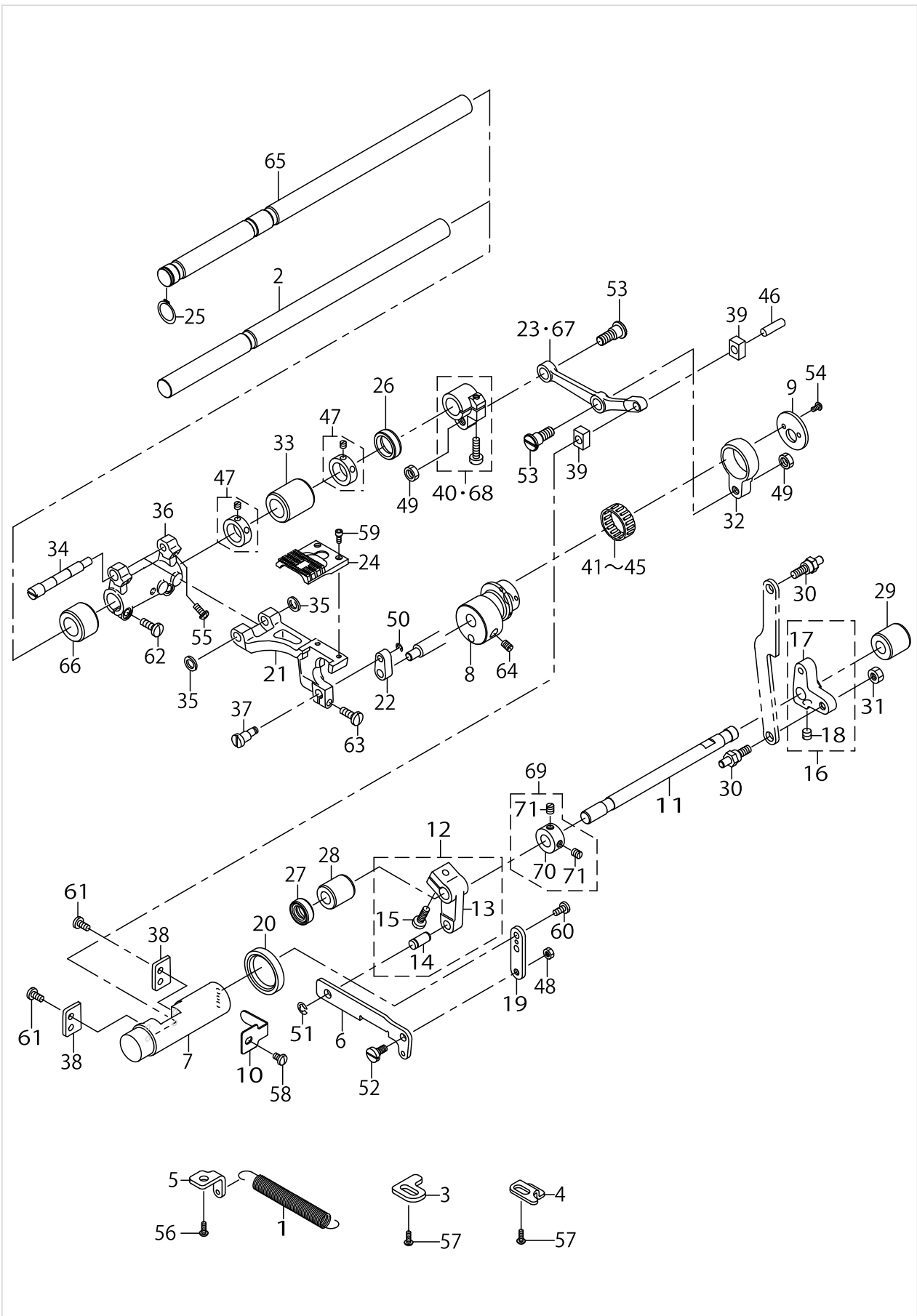
HAND LIFTER COMPONENTS



HAND LIFTER COMPONENTS

No.	Supply Code	Parts No.	Replacement	Parts name	Remarks	Choice	Step	Level	Cons	Qty	Rep. QTY
32		RO037180100		RUBBER RING						1	
33		SD0600341TP		HINGE SCREW D=6.0 H=3.4						1	
34		SD0630275SP		HINGE SCREW D= 6.35 H= 2.7						1	
35		SD0630301SP		HINGE SCREW D=6.35 H=3						1	
36		SD0630371SP		HINGE SCREW						1	
37		SS7090910TP		SCREW 9/64-40 L= 8.5						1	
38		SS7111110TP		SCREW 11/64-40 L=10.5						1	
39		SS8150510TP		SCREW 15/64-28 L= 4.7						1	
40		SS8151720SP		SCREW						1	

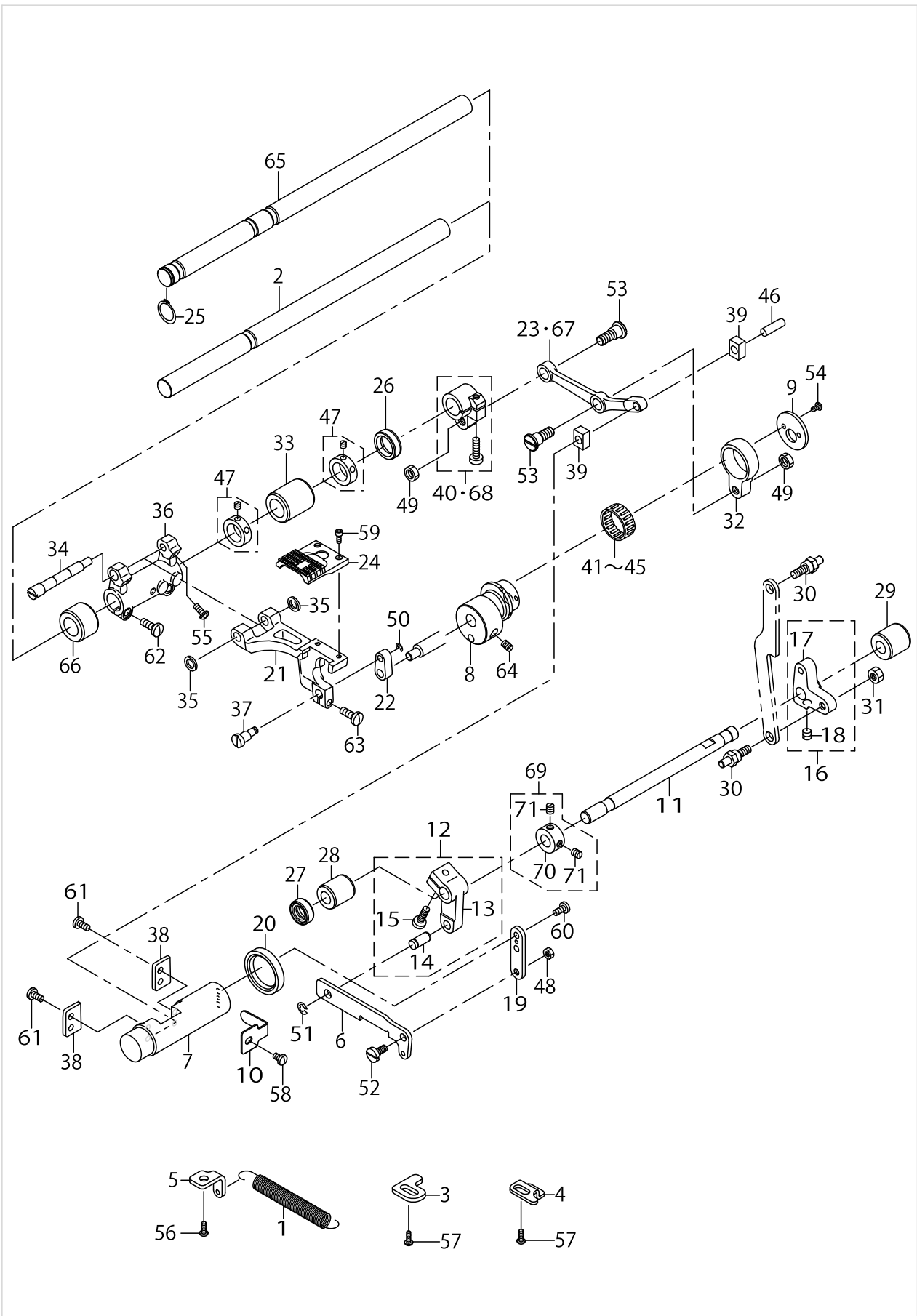
FEED MECHANISM COMPONENTS (1)



FEED MECHANISM COMPONENTS (1)

No.	Supply Code	Parts No.	Replacement	Parts name	Remarks	Choice	Step	Level	Cons	Qty	Rep. QTY
1		23532500		FEED ADJUSTING SPRING						1	
2	R	23531908	40010311	HORIZONTAL FEED SHAFT	FOR LZ-22-90SS,LZ-2290SS-7					1	1.00
3		23532906		REGULATE PLATE						1	
4		23533003		REGULATE PLATE						1	
5		23532609		FEED SPRING RACK						1	
6		23532807		FEED REVERSAL LINK						1	
7	R	23532104	40010318	FEED ADJUSTING						1	1.00
8		23532302		HORIZONTAL FEED CAM						1	
9		23532401		HORIZONTAL FEED CAM COVER						1	
10	D	23532203		FEED ADJUSTING PRESSER						1	
11	D	23533201		FEED CHANGE SHAFT						1	
12		23533151		FEED CHANGE ARM A ASM.						1	
13		23533102		FEED CHANGE ARM A				*		1	
14		22910509		FEED ADJUSTING LINK PIN				*		1	
15		SS7121410TP		SCREW 3/16-28 L=14				*		1	
16	R	23533359	40010270	FEED CHANGE ARM B ASM.						1	1.00
17	R	23533300	40010270	FEED CHANGE ARM B				*		1	1.00
18		SS8660612TP		SCREW 1/4-40 L=6				*		1	
19		23532708		FEED ADJUSTING ARM						1	
20		23532005		FEED ADJUSTING OIL SEAL						1	
21	R	22519714	40031418	FEED BASE	FOR LZ-22-90SS,LZ-2290SS-7					1	1.00
22		22520001		LINK						1	
23	R	22541007	40010276	CONNECTING ROD	FOR LZ-22-90SS,LZ-2290SS-7					1	1.00
24		22581508		FEED DOG						1	
25		RC0150001KP		RETAINING RING 13.8	FOR LZ-22-90SS,LZ-2290SS-7					1	
26		22888002		OIL SEAL						1	
27		23612609		FEED CHANGING SHAFT OIL SEAL						1	
28		23612807		METAL,A						1	
29		23612906		METAL,B						1	
30		23613102		FEED CHANGING S-HAFT ARM B PIN						2	
31		NS6150310SP		NUT 15/64-28						1	
32	R	10026805	26300509	ROD						1	1.00
33		23616709		FEED ROCKER SHAFT METAL						1	
34	R	10026110	40035702	FEED BASE SHAFT	FOR LZ-22-90SS,LZ-2290SS-7					1	1.00
35		10026201		SPACER	FOR LZ-22-90SS,LZ-2290SS-7					2	
36	R	10026300	40055832	FEED ROCKER	FOR LZ-22-90SS,LZ-2290SS-7					1	1.00
37	R	10026516	26303107	LINK SHAFT						1	1.00
38	R	10027308	26303404	PLATE A						2	1.00
39	R	10029619	40050457	FEED DRIVING ROCKER BLOCK						2	1.00
40		B16085550A0		FEED ROCKER SHAFT CRANK ASM.	FOR LZ-22-90SS,LZ-2290SS-7					1	
41		B1609804A00		BUSHING	SELECTIVE PART					1	
42		B1609804B00		NEEDLE BEARING	SELECTIVE PART					1	
43		B1609804C00		BEARING	SELECTIVE PART					1	

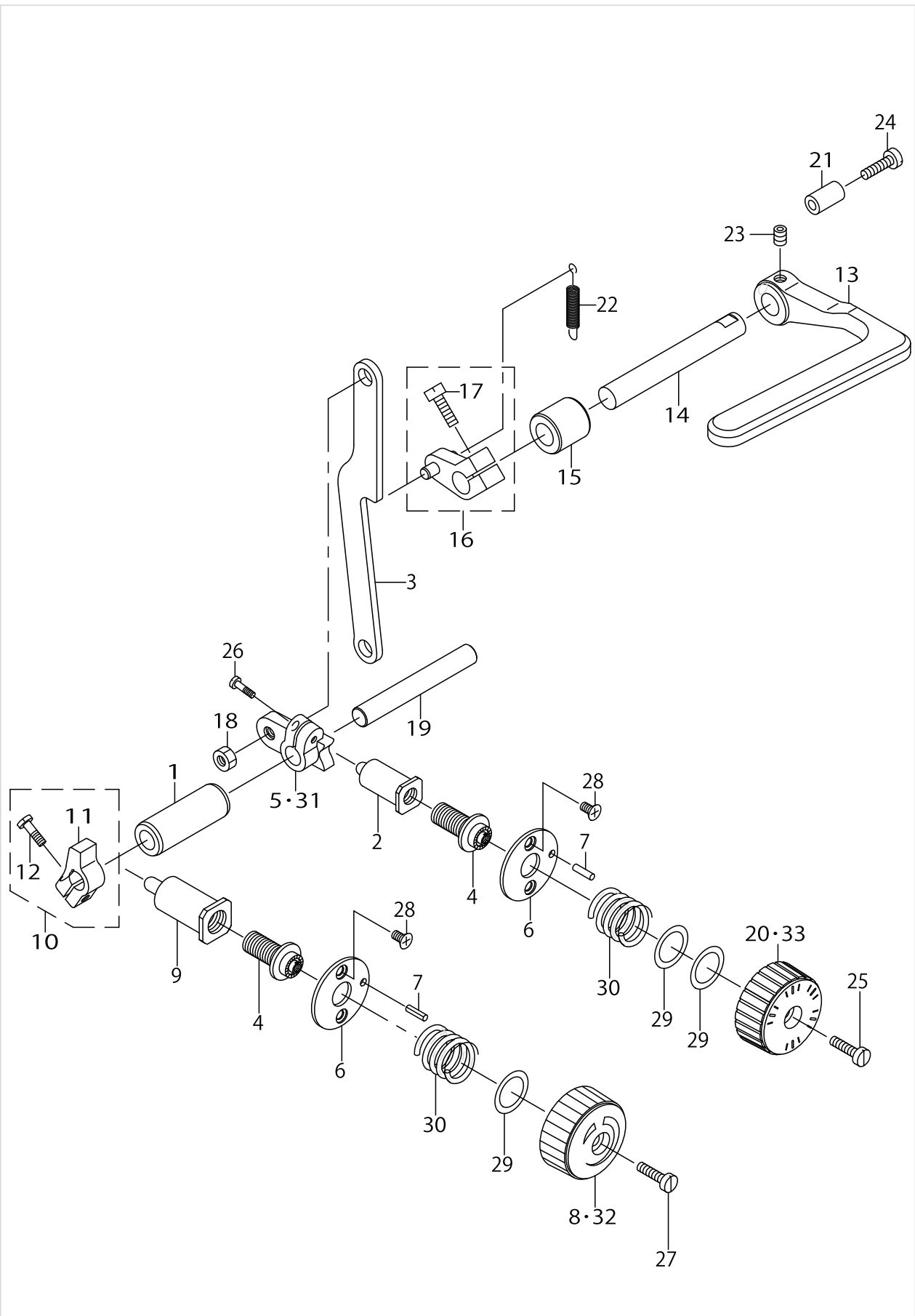
FEED MECHANISM COMPONENTS (1)



FEED MECHANISM COMPONENTS (1)

No.	Supply Code	Parts No.	Replacement	Parts name	Remarks	Choice	Step	Level	Cons	Qty	Rep. QTY
44		B1609804D00		BEARING	SELECTIVE PART					1	
45		B1609804E00		BEARING	SELECTIVE PART					1	
46	R	B1653470000	40032271	PIN						1	1.00
47		CS1470710SH		THRUST COLLAR A- SM. D=14.72 W=7						2	
48		NS6120310SP		NUT 3/16-28						1	
49		NS6680410SP		NUT 9/32-28						2	
50		RE0300000K0		E-RING 3						1	
51		RE0500000K0		E-RING						1	
52		SD0600321SP		HINGE SCREW D=6 H=3.2						1	
53		SD0900701TP		HINGE SCREW D= 9 H= 7						2	
54	R	SS4080610SP	SS4080620TP	SCREW 1/8-44 L=6.4						2	1.00
55		SS4120915SP		SCREW 3/16-28 L=9	FOR LZ-22- 90SS,LZ-2290SS-7					2	
56		SS4150915SP		SCREW 15/64-28 L=9						1	
57		SS4150915SP		SCREW 15/64-28 L=9						2	
58		SS5110710SP		SCREW 11/64-40 L=7						1	
59		SS6580752TP		SCREW 1/8-40 L=7						2	
60		SS7110910TP		SCREW 11/64-40 L= 8.5						2	
61		SS7110910TP		SCREW 11/64-40 L= 8.5						4	
62		SS7121410TP		SCREW 3/16-28 L=14						2	
63		SS7121410TP		SCREW 3/16-28 L=14						1	
64		SS8660810TP		SCREW 1/4-40 L=8						2	
65		23545205		HORIZONTAL FEED SHAFT U	FOR LZ-22- 90SU,LZ-2290SU-7					1	
66		23545304		HORIZONTAL FEED SHAFT METAL B	FOR LZ-22- 90SU,LZ-2290SU-7					1	
67	R	10027001	26303206	CONNECTING ROD	FOR LZ-22- 90SU,LZ-2290SU-7					1	1.00
68		10027100		FEED ROCKER SHAFT CRANK	FOR LZ-22- 90SU,LZ-2290SU-7					1	
69		CS100081CSP		THRUST COLLAR ASM.						1	
70		CS1000811SP		THRUST COLLAR				*		1	
71		SS8110520TP		SCREW 11/64-40 L= 4.5				*		2	

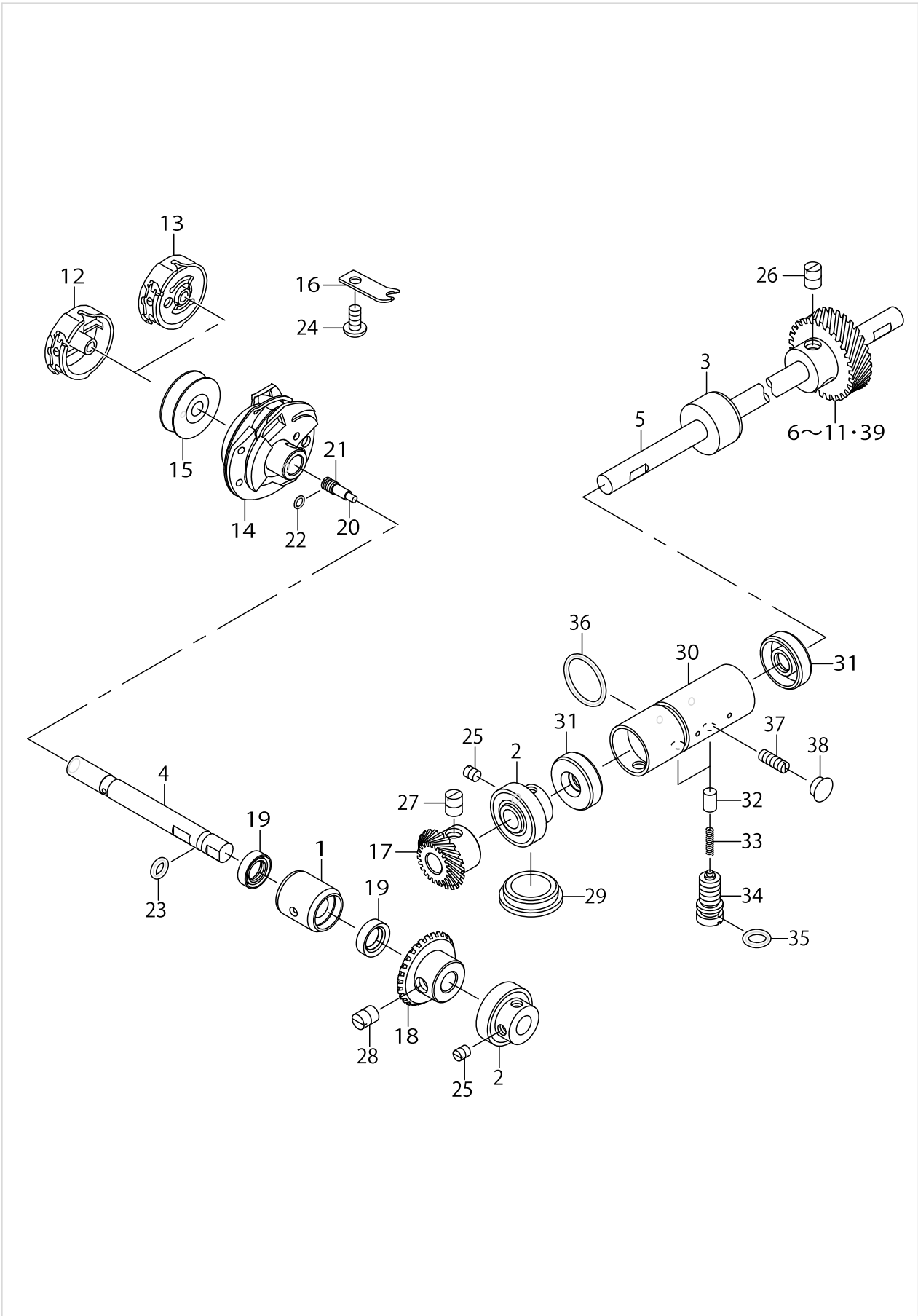
FEED MECHANISM COMPONENTS (2)



FEED MECHANISM COMPONENTS (2)

No.	Supply Code	Parts No.	Replacement	Parts name	Remarks	Choice	Step	Level	Cons	Qty	Rep. QTY
1	D	23533706		FEED ADJUSTING SHAFT METAL						1	
2		23533805		FEED ADJUSTING SHAFT						1	
3		23533409		FEED ADJUSTING ROD						1	
4		23533904		FEED ADJUSTING SCREW						2	
5		23533508		FEED BLIND CONTROLLER						1	
6	R	23534001	23534019	FEED ADJUSTING BASE						2	1.00
7		PS0300122KH		SPRING PIN 3X12						2	
8		23534407		CONDENS DIAL	FOR LZ-22-90SS,LZ-2290SS-7					1	
9		23534308		CONDENS ADJUSTING SHAFT						1	
10		23534258		CONDENS STOPPER ASM.						1	
11	R	23534209	23534258	CONDENS STOPPER				*		1	1.00
12		SS7121410TP		SCREW 3/16-28 L=14				*		1	
13		23613607		FEED LEVER						1	
14		23613706		FEED LEVER SHAFT						1	
15		23613805		FEED LEVER SHAFT METAL						1	
16		23613953		FEED LEVER ARM ASM.						1	
17		SS6121610SP		SCREW 3/16-28 L=15.5				*		1	
18		NS6150310SP		NUT 15/64-28						1	
19		23533607		FEED ADJUSTING SHAFT						1	
20		11071909		FEED DIAL	FOR LZ-22-90SS,LZ-2290SS-7					1	
21	R	11100500	22952501	REVERSE FEED LEVER STOPPER						1	1.00
22		11302700		SPRING						1	
23		SM8060812TP		SCREW M6 L=8						2	
24		SS6121840SP		SCREW 3/16-28 L=18						1	
25		SS6121860SP		SCREW 3/16-28 L=18						1	
26		SS7121410TP		SCREW 3/16-28 L=14						1	
27		SS6121860SP		SCREW 3/16-28 L=18						1	
28		SS1110821TP		SCREW 11/64-40 L=8.3						4	
29		WP1651616SD		WASHER						3	
30		23534506		FEED DIAL SPRING						2	
31		23545502		FEED BLIND CONTROLLER U	FOR LZ-22-90SU,LZ-2290SU-7					1	
32		23545007		CONDENS DIAL U	FOR LZ-22-90SU,LZ-2290SU-7					1	
33		26302000		FEED DIAL	FOR LZ-22-90SU,LZ-2290SU-7					1	

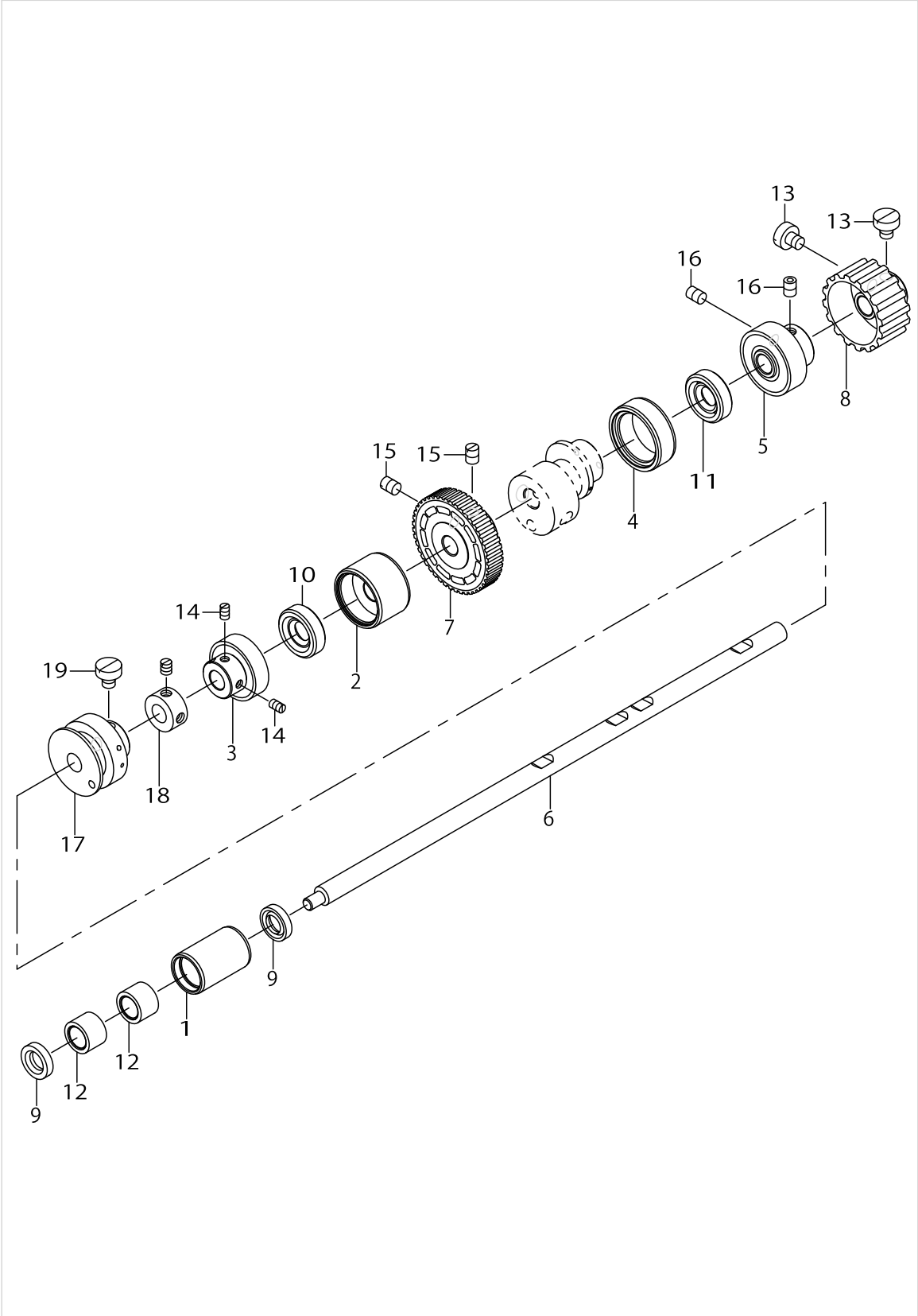
HOOK DRIVING SHAFT COMPONENTS (1)



HOOK DRIVING SHAFT COMPONENTS (1)

No.	Supply Code	Parts No.	Replacement	Parts name	Remarks	Choice	Step	Level	Cons	Qty	Rep. QTY
1		23535107		HOOK SHAFT FRONT METAL						1	
2		23535255		HOOK SHAFT BEARING ASM.						2	
3		23535602		HOOK DRIVING SH- AFT REAR METAL						1	
4		23535008		HOOK SHAFT						1	
5	D	23535503		HOOK DRIVING SHAFT	SELECTIVE PARTS					1	
6		23536303		HOOK DRIVING GEAR (SMALL) A	SELECTIVE PARTS					1	
7	D	23536402		HOOK DRIVING GEAR (SMALL) B	SELECTIVE PARTS					1	
8		23536501		HOOK DRIVING GEAR (SMALL) C	SELECTIVE PARTS					1	
9	D	23536600		HOOK DRIVING GEAR (SMALL) D	SELECTIVE PARTS					1	
10	D	23536709		HOOK DRIVING GEAR (SMALL) E	SELECTIVE PARTS					1	
11		23536808		HOOK DRIVING GEAR (SMALL) F	SELECTIVE PARTS					1	
12		23537459		BOBBIN CASE COMPL.	FOR LZ-22- 90SS,LZ-2- 290SU VA- RIOUS NO- S.FOR DES- TINATIONS					1	
13		23537350		BOBBIN CASE ASM.	VARIOUS NOS.FOR DESTINATIONS					1	
14		22525877		HOOK COMPL. V						1	
15		22596704		BOBBIN S						1	
16		23503402		INNER HOOK STOPPER						1	
17		23535305		HOOK GEAR (SMALL)						1	
18		23535404		HOOK GEAR (LARGE)						1	
19		23537202		HOOK SHAFT OIL SEAL						2	
20		11015906		OIL WICK						1	
21	R	B1808552000	22916506	OIL SEAL SCREW						1	1.00
22		RO036080200		RUBBER RING						1	
23		RO048190100		RUBBER RING						1	
24		SS4110915SP		SCREW 11/64-40 L=9						1	
25	R	SS8110510SP	SS8110520TP	SCREW 11/64-40 L=5						4	1.00
26		SS8660810TP		SCREW 1/4-40 L=8						2	
27		SS8660810TP		SCREW 1/4-40 L=8						2	
28		SS8660810TP		SCREW 1/4-40 L=8						2	
29		TA2050406R0		RUBBER PLUG						1	
30		23539000		PUMP METAL						1	
31		22890008		HOOK DRIVING SHAFT OIL SEAL						2	
32		23628803		PLUNGER						2	
33		23628902		PLUNGER SPRING						2	
34		23629009		PLUNGER SCREW						2	
35		RO068190100		RUBBER RING						2	
36		RO172180100		RUBBER RING						1	
37		SS8111251SP		SCREW 11/64-40 L=12.0						1	
38		TA0750404R0		PLUG D=7.5 L=3.5						1	
39		23538903		HOOK DRIVING GEAR (SMALL) S	SELECTIVE PARTS					1	

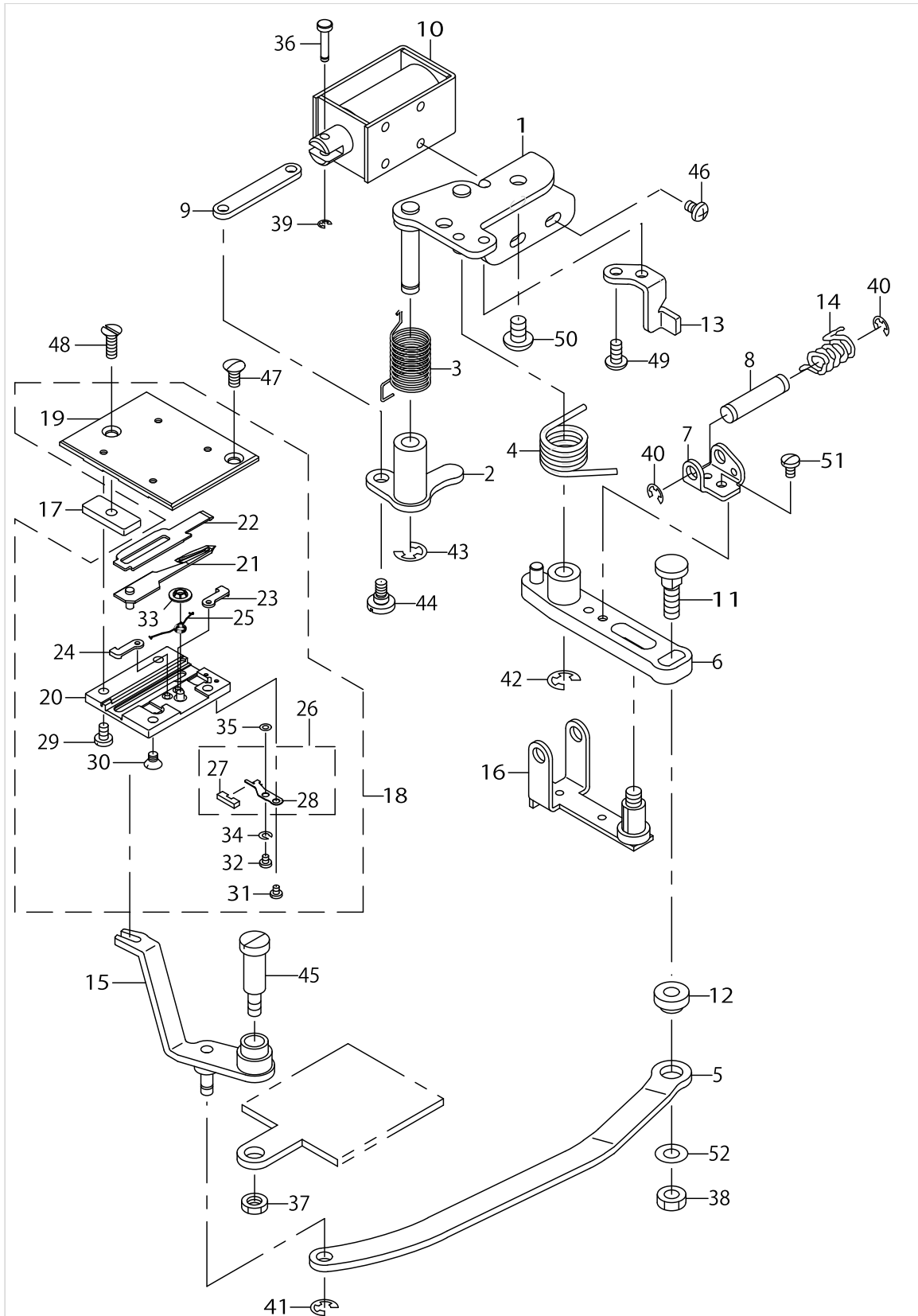
HOOK DRIVING SHAFT COMPONENTS (2)



HOOK DRIVING SHAFT COMPONENTS (2)

No.	Supply Code	Parts No.	Replacement	Parts name	Remarks	Choice	Step	Level	Cons	Qty	Rep. QTY
1		23535818		LOWER SHAFT FRONT BEARING BUSH						1	
2		23535909		LOWER SHAFT INNER METAL						1	
3		23536055		LOWER SHAFT INNER BEARING ASM.						1	
4		23536105		LOWER SHAFT REAR BUSH						1	
5		23536253		LOWER SHAFT REAR BEARING ASM.						1	
6	R	23535701	40010303	LOWER SHAFT	FOR LZ-22-90SS,LZ-2290SS-7					1	1.00
7		23536907		HOOK DRIVING GEAR (LARGE)						1	
8		23537103		LOWER SHAFT SPROCKET						1	
9	R	B2508704000	40176173	OIL SEAL						2	1.00
10		G1615880000		OIL SEAL						1	
11		G1615880000		OIL SEAL						1	
12		SB310001000		BEARING						2	
13		SS6660710TP		SCREW 1/4-40 L=7						2	
14		SS8110750SP		SCREW 11/64-40 L= 6.5						2	
15		SS8660810TP		SCREW 1/4-40 L=8						2	
16		SM8060812TP		SCREW M6 L=8						2	
17		23541709		THREAD TRIMMER CAM						1	
18		CS100081CSP		THRUST COLLAR ASM.						1	
19		SS6660710TP		SCREW 1/4-40 L=7						2	

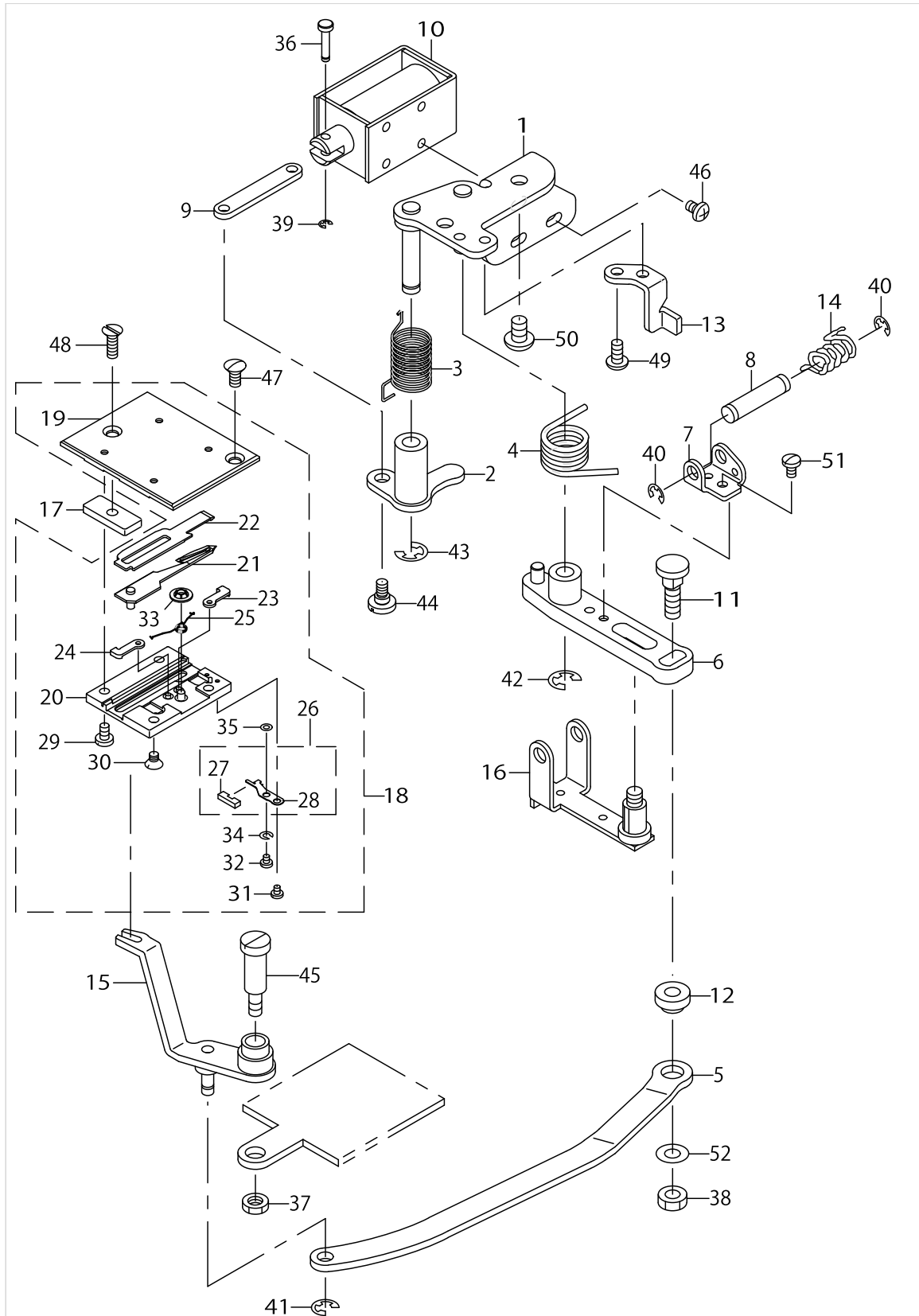
THREAD TRIMMER MECHANISM COMPONENTS (FOR LZ-2290SS-7,LZ-2290SU-7)



THREAD TRIMMER MECHANISM COMPONENTS (FOR LZ-2290SS-7,LZ-2290SU-7)

No.	Supply Code	Parts No.	Replacement	Parts name	Remarks	Choice	Step	Level	Cons	Qty	Rep. QTY
1		23541956		BASE PLATE ASM.						1	
2		23542053		CLUTCH PLATE ASM.						1	
3		23542103		CLUTCH RETURN SPRING						1	
4		23542202		KNIFE RETURN SPARING						1	
5		23541808		MOVING KNIFE LINK						1	
6	R	11040854	22948558	KNIFE DRIVING ARM ASM.						1	1.00
7		22949002		ROLLER ARM SEAT						1	
8	R	11041407	22949101	ROLLER FULCRUM SHAFT						1	1.00
9		22554505		CLUTCH LINK						1	
10	R	23542301	40106080	THREAD TRIMMER SOLENOID						1	1.00
11	R	22554703	40010295	MOVING KNIFE LINK PIN						1	1.00
12		22554802		MOVING KNIFE LINK BASE						1	
13		22554901		DRIVING ARM STOPPER						1	
14		22555304		ROLLER RETURN SPRING						1	
15		22555551		FORK KNIFE ASM.						1	
16		22555858		ROLLER ARM ASM.						1	
17		22556906		FIXED PLATE						1	
18		22557458		KNIFE UNIT						1	
19		22558308		SLIDING PLATE				*		1	
20		22558407		KNIFE BASE				*		1	
21		22557557		DRIVING KNIFE ASM.				*		1	
22		22557706		FIXED KNIFE				*		1	
23		22557805		KNIFE STOPPER, RIGHT				*		1	
24		22557904		KNIFE STOPPER, LEFT				*		1	
25		22558209		SPRING				*		1	
26		22558159		CLAMP PLATE ASM.				*		1	
27		22558001		FELT				*		1	
28		22558100		CLAMP PLATE				*		1	
29		SS7090610SP		SCREW 9/64-40 L=6				*		2	
30		SS1090510SP		SCREW 9/64-40 L=5				*		2	
31		SS7060310SP		SCREW 3/32-56 L=3				*		1	
32		SS7060310SP		SCREW 3/32-56 L=3				*		1	
33		NP210300000		LOCATING SPRING WASHER				*		1	
34		WS0270002KN		SPRINGWASHERM2.6				*		1	
35		D2056772B0B		WASHER B T=0.4				*		1	
36	R	23542400	23542418	CLUTCH LINK PIN						1	1.00
37		NS6150310SP		NUT 15/64-28						1	
38		NS6150430SP		NUT 15/64-28						1	
39		RE0250000K0		E-RING 2.5						1	
40		RE0400000K0		E-RING 4						2	
41		RE0500000K0		E-RING						1	
42		RE0600000K0		E-RING 6						1	
43		RE0600000K0		E-RING 6						1	
44		SD0600291TP		HINGE SCKEW D=6 H=2.9						1	
45		SD0791503SP		HINGE SCREW D=7.94 H=15						1	
46		SM4040601SC		SCREW M4X0.7 L=6						3	

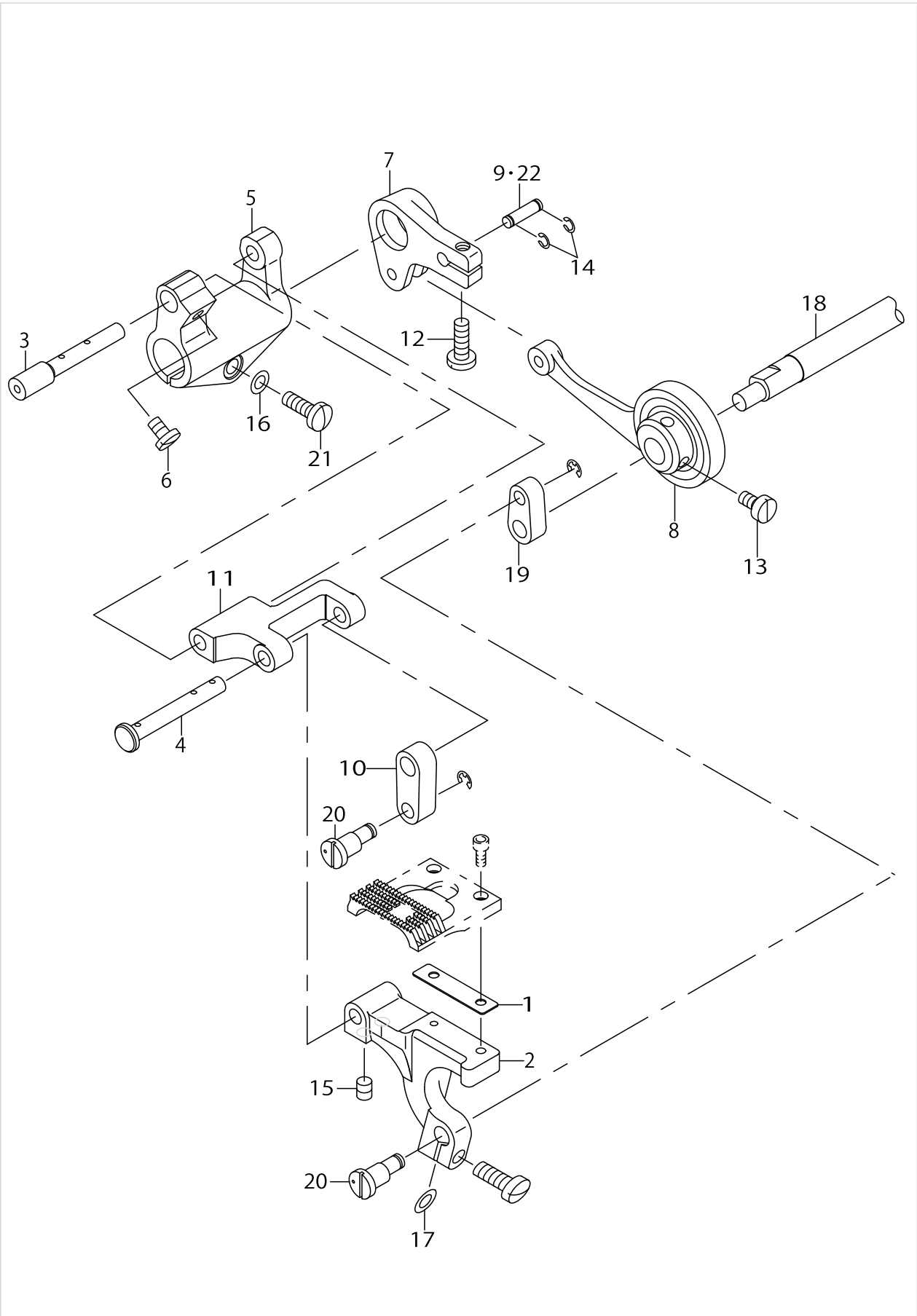
THREAD TRIMMER MECHANISM COMPONENTS (FOR LZ-2290SS-7,LZ-2290SU-7)



THREAD TRIMMER MECHANISM COMPONENTS (FOR LZ-2290SS-7,LZ-2290SU-7)

No.	Supply Code	Parts No.	Replacement	Parts name	Remarks	Choice	Step	Level	Cons	Qty	Rep. QTY
47		SS2110920TP		SCREW 11/64-40 L=8.5						1	
48		SS2111010TP		SCREW 11/64-40 L=9.5						1	
49		SS4110915SP		SCREW 11/64-40 L=9						2	
50		SS4150915SP		SCREW 15/64-28 L=9						2	
51		SS7090610SP		SCREW 9/64-40 L=6						1	
52		WP0621016SH		WASHER						1	

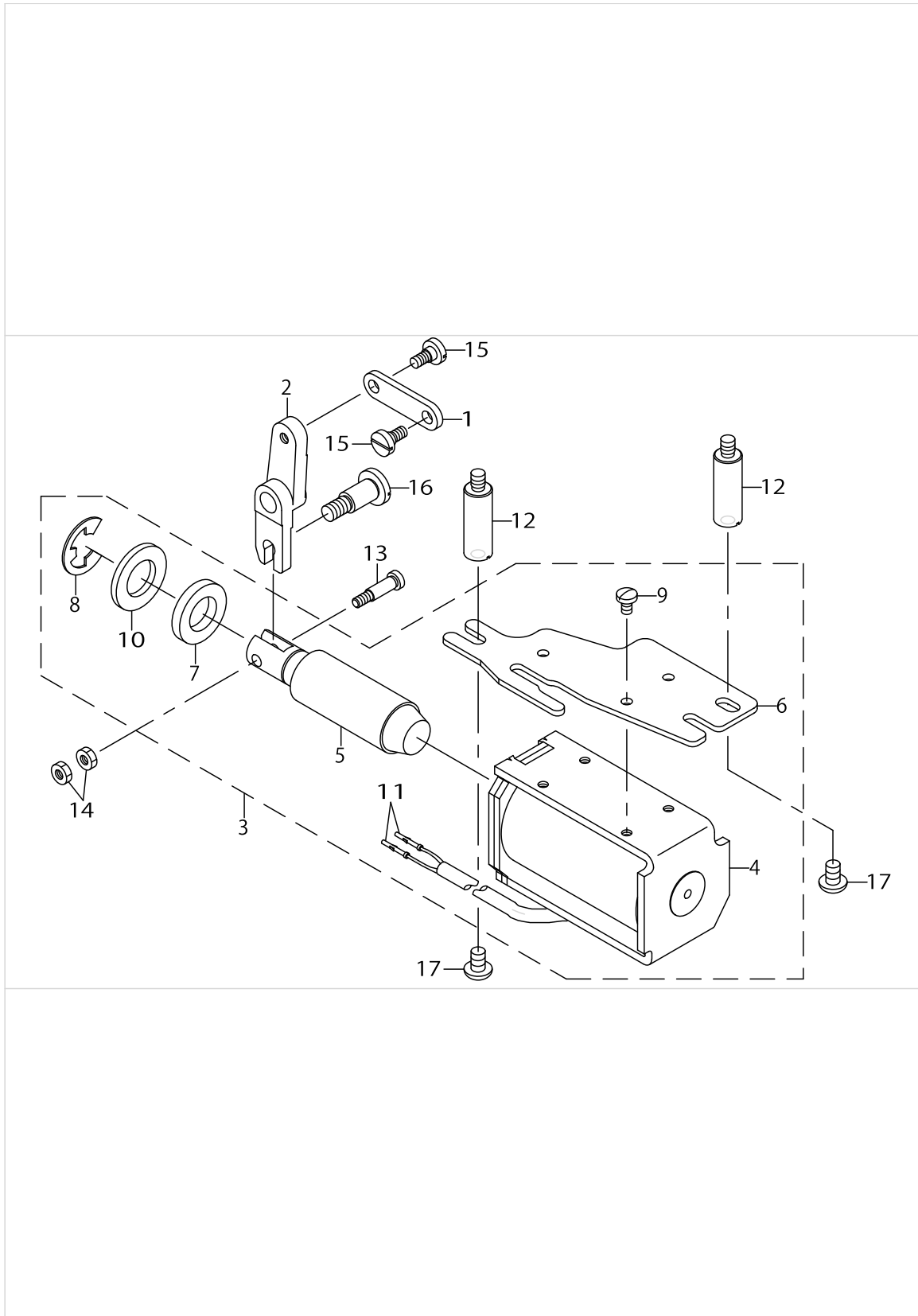
FEED MECHANISM COMPONENTS (FOR LZ-2290SU,LZ-2290SU-7,LZ-2290DU,LZ-2290DU-7)



FEED MECHANISM COMPONENTS (FOR LZ-2290SU,LZ-2290SU-7,LZ-2290DU,LZ-2290DU-7)

No.	Supply Code	Parts No.	Replacement	Parts name	Remarks	Choice	Step	Level	Cons	Qty	Rep. QTY
1		10025906		SPACER	FOR LZ-22-90SU,LZ-2290SU-7					1	
2		23501901		FEED BASE						1	
3		22913206		FEED BASE SHAFT						1	
4		23501802		FEED BASE SHAFT B						1	
5	R	22913107	22913156	FEED BASE ARM						1	1.00
6		SS7110740TP		SCREW 11/64-40 L=7						1	
7		23545403		VERTICAL FEED ARM						1	
8		23501356		VERTICAL FEED CAM ASM.	FOR LZ-22-90SU,LZ-2290SU-7					1	
9		11214806		PIN	FOR LZ-22-90SU,LZ-2290SU-7					1	
10		23501703		LINK B						1	
11		23501604		FEED BASE LINK						1	
12		SS7121410TP		SCREW 3/16-28 L=14						1	
13		SS6110820TP		SCREW 11/64-40 L=8	FOR LZ-22-90SU,LZ-2290SU-7					2	
14		RC0330415KP		SNAP RING	FOR LZ-22-90SU,LZ-2290SU-7					2	
15		SM8050612TP		SCREW M5X6						2	
16		WP0480856SP		WASHER 4.8X8.4X0.8						1	
17		WP0500916SD		WASHER 5X7X0.9						1	
18		23545106		LOWER SHAFT U	FOR LZ-22-90SU,LZ-2290SU-7					1	
19	R	23558307	40010264	VERTICAL FEED LINK D	FOR LZ-22-90DU,LZ-2290DU-7					1	1.00
20		23558406		VERTICAL FEED LINK SHAFT D	FOR LZ-22-90DU,LZ-2290DU-7					2	
21		SS7121410TP		SCREW 3/16-28 L=14						1	
22	D	23559909		VERTICAL FEED ROD PIN DU	FOR LZ-22-90DU,LZ-2290DU-7					1	

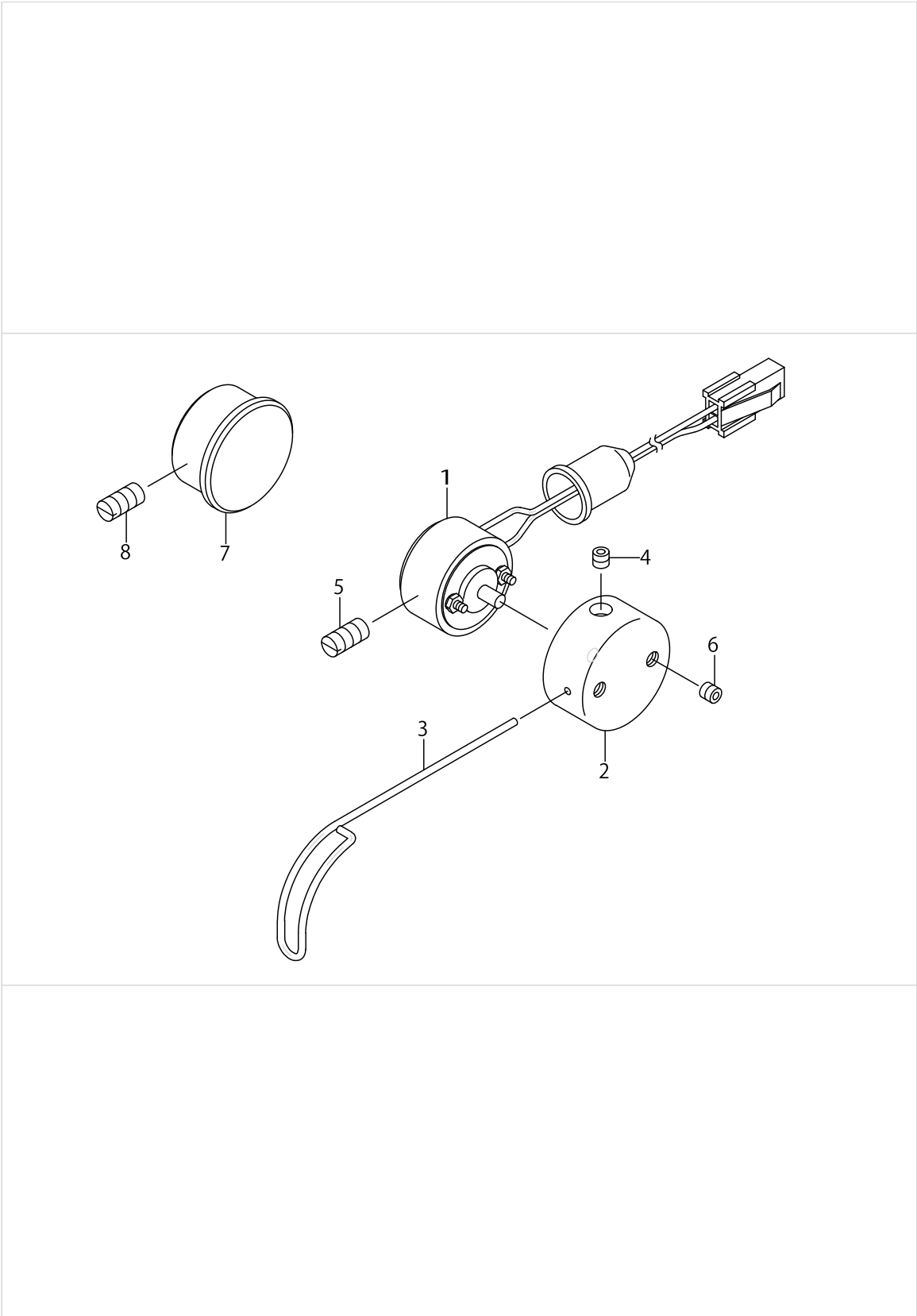
AUTOMATIC REVERSE FEED MECHANISM COMPONENTS (FOR LZ-2290SS-7,LZ-2290SU-7)



AUTOMATIC REVERSE FEED MECHANISM COMPONENTS (FOR LZ-2290SS-7,LZ-2290SU-7)

No.	Supply Code	Parts No.	Replacement	Parts name	Remarks	Choice	Step	Level	Cons	Qty	Rep. QTY
1		23542509		AUTOMATIC REVERSE FEED LINK						1	
2	R	23542608	40010307	AUTOMATIC REVERSE FEED ARM						1	1.00
3		23542756		SOLENOIDBASEASM.						1	
4		23542806		REVERSE FEED SOLENOID				*		1	
5	R	23631104	40083305	REVERSE FEED SOLENOID PLUNGER				*		1	1.00
6		23542707		REVERSE FEED SOLENOID BASE				*		1	
7		D2468555B00		RUBBER PLUNGER				*		1	
8		RE1200000K0		E-RING 12				*		1	
9		SS7110740TP		SCREW 11/64-40 L=7				*		3	
10		WP1703001SC		WASHER 17X30X3				*		1	
11		HK03464000B		PIN CONTACT				*		2	
12	R	21157300	40010280	BELT COVER STUD						2	1.00
13	R	11314408	22962906	PLUNGER ARM PIN						1	1.00
14		NS6110350SP		NUT 11/64-40						2	
15		SD0600321SP		HINGE SCREW D=6 H=3.2						2	
16		SD0951501SP		HINGE SCREW D= 9.53 H=15						1	
17		SS4150915SP		SCREW 15/64-28 L=9						2	

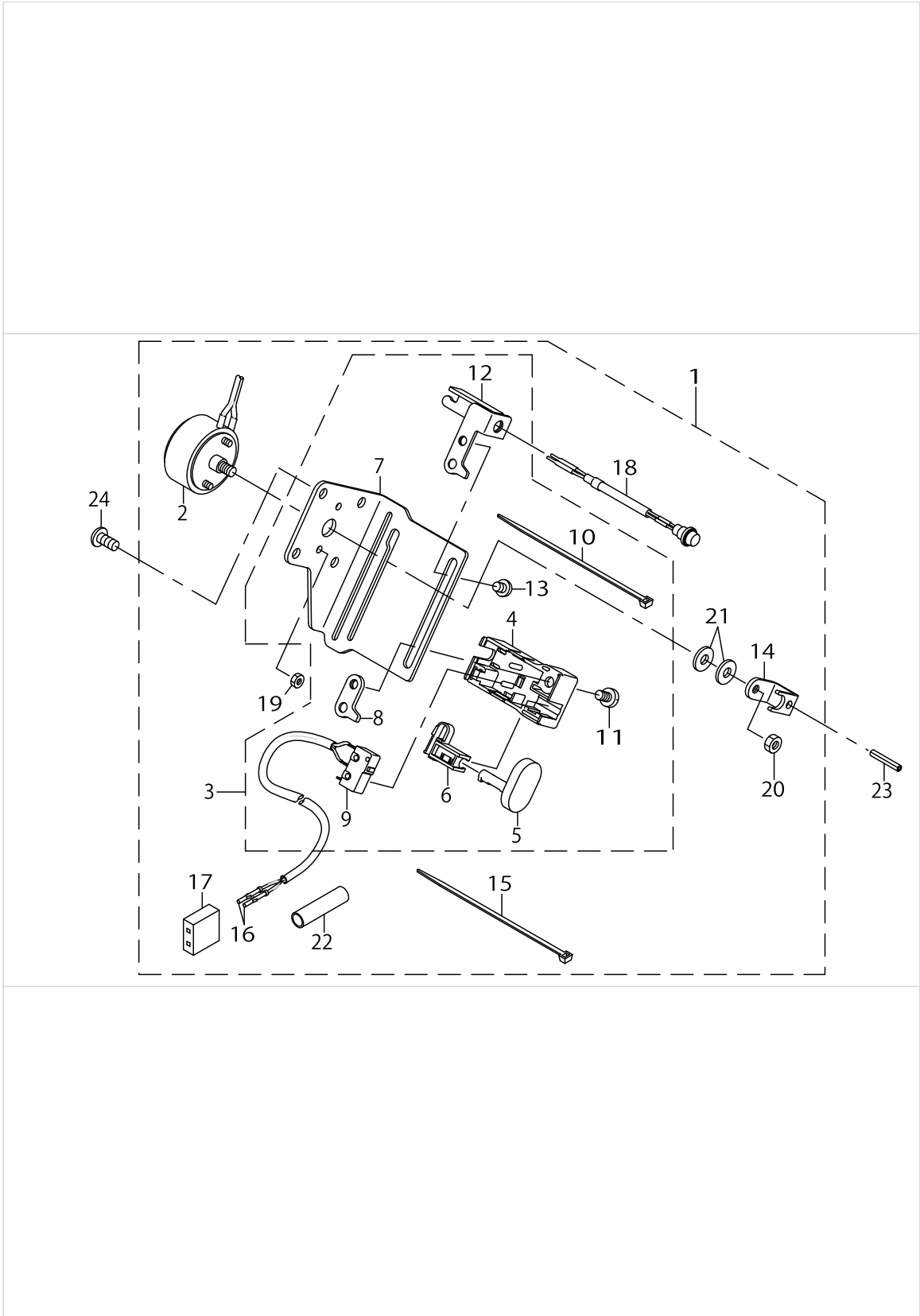
THREAD FEEDER COMPONENTS



THREAD FEEDER COMPONENTS

No.	Supply Code	Parts No.	Replacement	Parts name	Remarks	Choice	Step	Level	Cons	Qty	Rep. QTY
1		23538457		FEEDER SOLENOID ASM.	FOR LZ-22-90SS-7,LZ-2290SU-7					1	
2	R	23538507	40010321	FEEDER WIRE FITTING BASE	FOR LZ-22-90SS-7,LZ-2290SU-7					1	1.00
3		23538606		FEEDER WIRE	FOR LZ-22-90SS-7,LZ-2290SU-7					1	
4		SS8110422TP		SCREW 11/64-40 L=4	FOR LZ-22-90SS-7,LZ-2290SU-7					1	
5		SS8151230SP		SCREW 15/64-28L=12	FOR LZ-22-90SS-7,LZ-2290SU-7					1	
6		SS8110422TP		SCREW 11/64-40 L=4	FOR LZ-22-90SS-7,LZ-2290SU-7					2	
7		23538705		FEEDER FITTING BASE COVER	FOR LZ-22-90SS,LZ-2290SU					1	
8		SS8151230SP		SCREW 15/64-28L=12	FOR LZ-22-90SS,LZ-2290SU					1	

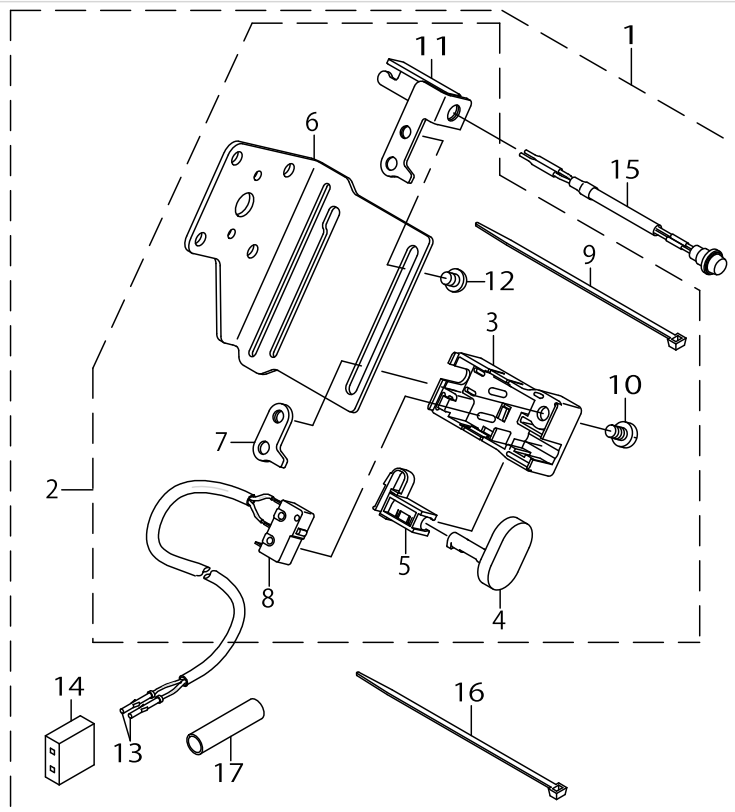
THREAD RELEASE SOLENOID COMPONENTS (FOR LZ-2290SS-7,LZ-2290SU-7)



THREAD RELEASE SOLENOID COMPONENTS (FOR LZ-2290SS-7,LZ-2290SU-7)

No.	Supply Code	Parts No.	Replacement	Parts name	Remarks	Choice	Step	Level	Cons	Qty	Rep. QTY
1	D	23538259		THREAD RELEASE SOLENOID COMPL.						1	
2	D	23538150		THREAD RELEASE SOLENOID ASM.				*		1	
3		23540859		THREAD RELEASE SOLENOID				*		1	
4		23631708		REVERSE FEED SWITCH COVER				*		1	
5		23631807		REVERSE FEED SWITCH SHAFT				*		1	
6		23631906		REVERSE FEED SWITCH SUPPORT				*		1	
7	R	23540800	23540859	MANUAL SWITCH BASE				*		1	1.00
8		23632102		REVERSE FEED SWITCH BASE GUIDE				*		1	
9		23541055		REVERSE FEED CORD ASM.				*		1	
10		EA9500B0100		CABLE BAND				*		1	
11		SS7110740TP		SCREW 11/64-40 L=7				*		1	
12	R	23540909	23540859	MANUAL SWITCH BASE GUIDE				*		1	1.00
13		SS4110515SP		SCREW 11/64-40 L=5				*		1	
14		22552905		THREAD RELEASE PUSH PLATE				*		1	
15		EA9500B0100		CABLE BAND				*		1	
16		HK016530000		PLUG CONTACT				*		2	
17		HK016590060		HOUSING				*		1	
18		M8522476AA0		SWLED CABLE A ASM.				*		1	
19		NM6030001SC		NUT M3				*		2	
20		NM6040001SN		NUT M4X0.7				*		1	
21		13705603		FRAME SIDE COVER GASKET				*		2	
22		E8760452G00		TUBE				*		0.03	
23		PS0300182KF		SPRING PIN 3X18						1	
24		SS4121015SP		SCREW 3/16-28 L=10						4	

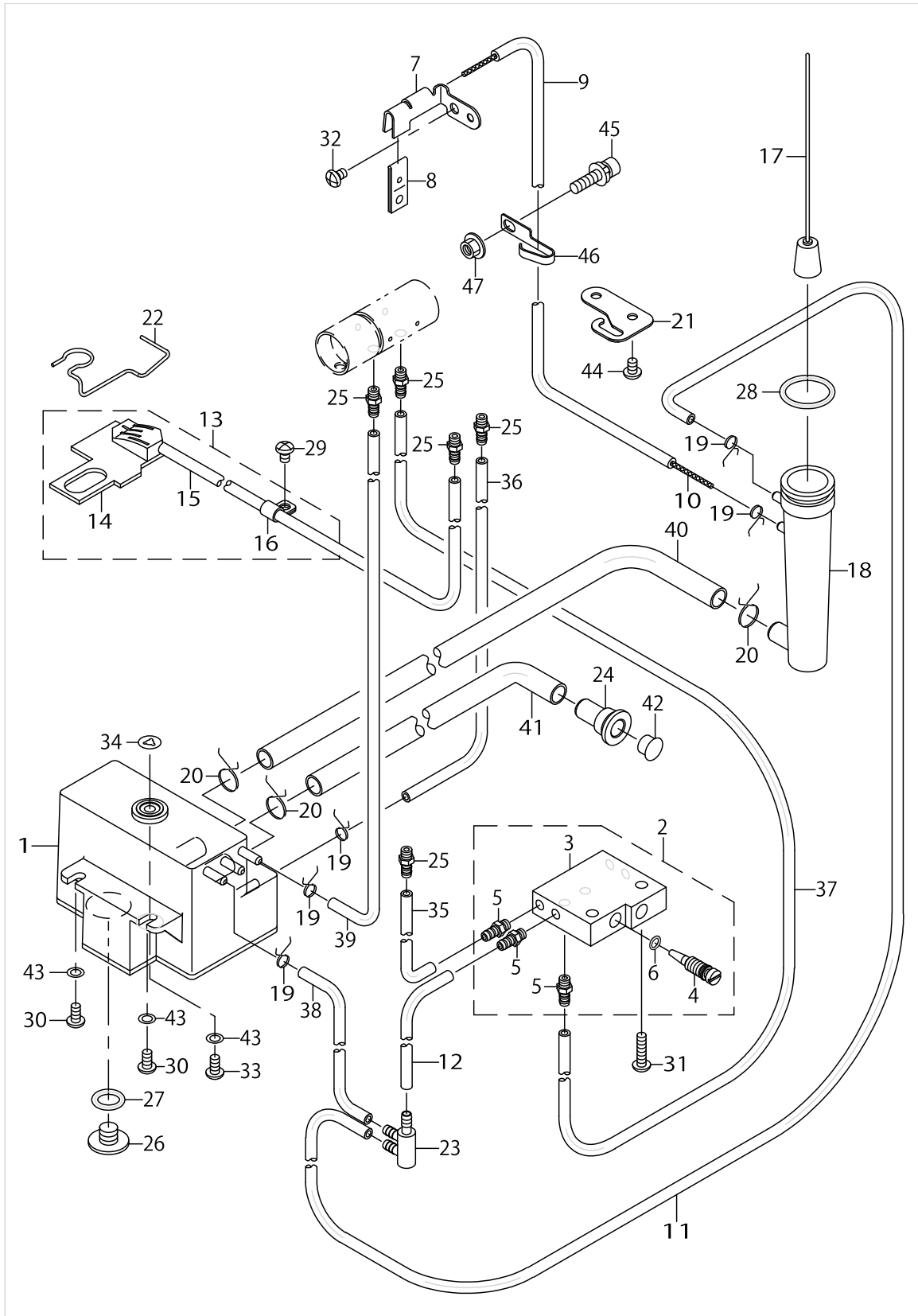
MANUAL SWITCH COMPONENTS (FOR LZ-2290SS,LZ-2290SU)



MANUAL SWITCH COMPONENTS (FOR LZ-2290SS,LZ-2290SU)

No.	Supply Code	Parts No.	Replacement	Parts name	Remarks	Choice	Step	Level	Cons	Qty	Rep. QTY
1		23541154		MANUAL SWITCH BASE COMPL.						1	
2		23540859		MANUAL SWITCH ASM.				*		1	
3		23631708		REVERSE FEED SWITCH COVER				*		1	
4		23631807		REVERSE FEED SWITCH SHAFT				*		1	
5		23631906		REVERSE FEED SWITCH SUPPORT				*		1	
6	R	23540800	23540859	MANUAL SWITCH BASE				*		1	1.00
7		23632102		REVERSE FEED SWITCH BASE GUIDE				*		1	
8		23541055		REVERSE FEED CORD ASM.				*		1	
9		EA9500B0100		CABLE BAND				*		1	
10		SS7110740TP		SCREW 11/64-40 L=7				*		1	
11	R	23540909	23540859	MANUAL SWITCH BASE GUIDE				*		1	1.00
12		SS4110515SP		SCREW 11/64-40 L=5				*		1	
13		HK016530000		PLUG CONTACT				*		2	
14		HK016590060		HOUSING				*		1	
15		M8522476AA0		SWLED CABLE AASM.				*		1	
16		EA9500B0100		CABLE BAND				*		1	
17		E8760452G00		TUBE				*		0.03	

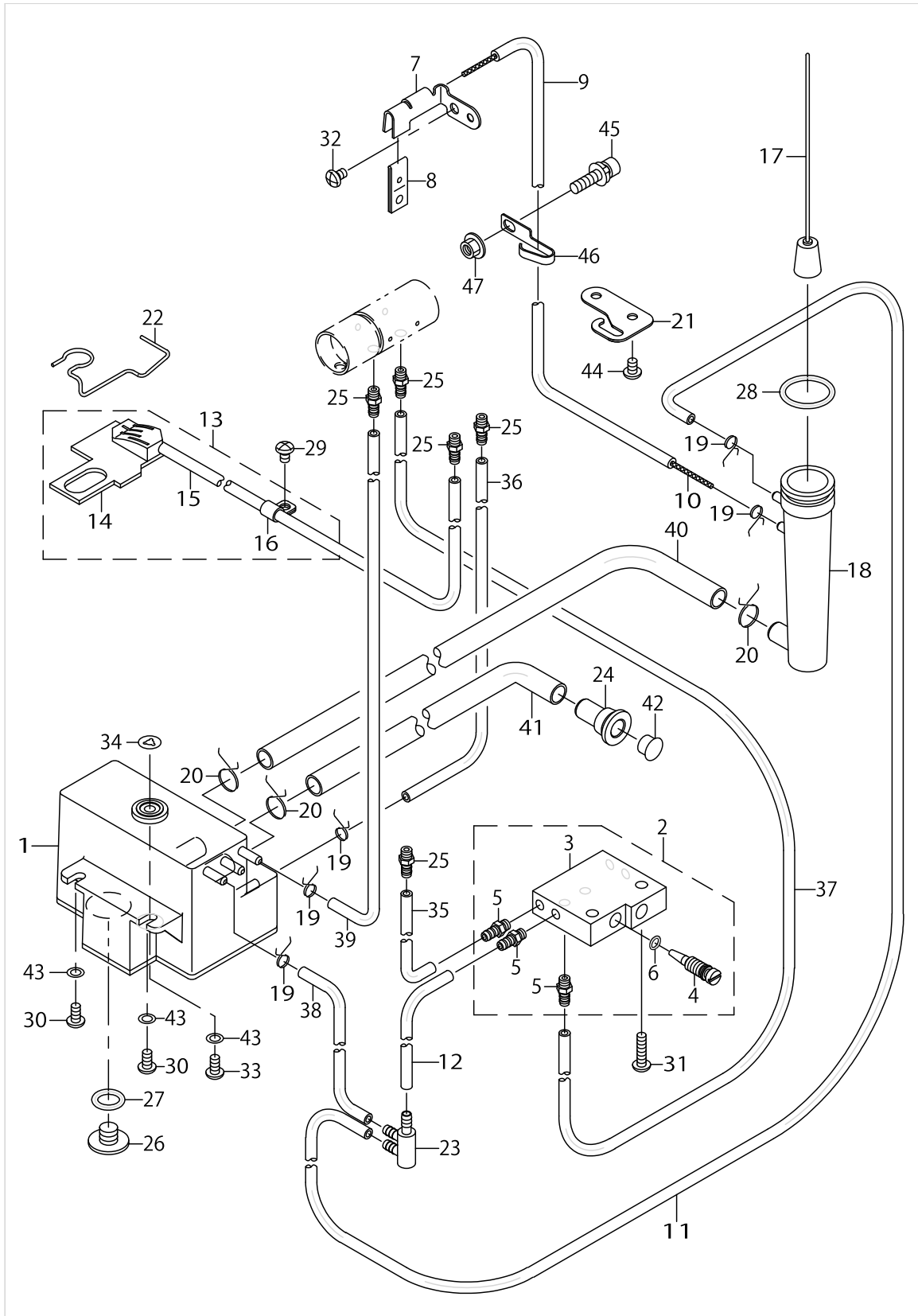
LUBRICATION COMPONENTS



LUBRICATION COMPONENTS

No.	Supply Code	Parts No.	Replacement	Parts name	Remarks	Choice	Step	Level	Cons	Qty	Rep. QTY
1	D	23539158		OIL TANK ASM.						1	
2		23539356		HOOK OIL REGULATING ASM.						1	
3	R	23539307	23539315	HOOK OIL REGULATING				*		1	1.00
4	R	23539406	23539414	HOOK OIL REGULATING SCREW				*		1	1.00
5		23629801		LUBRICATION CONNECTOR				*		3	
6		RO037180100		RUBBER RING				*		1	
7	D	23539505		FACE LUBRICATION PRESSER						1	
8		B3518280000		BALANCE LUBRICATING						1	
9		23630007		TUBE						.64	
10		CQ220000000		OUL WICK						.7	
11		23630007		TUBE						.4	
12		23630007		TUBE						.09	
13		23540057		ONCE THROUGH OIL FELT ASM.						1	
14		23540008		ONCE THROUGH OIL FELT				*		1	
15		23630007		TUBE				*		1.07	
16		B3536122000		HOLDER				*		1	
17		23628357		FLOATER ASM.						1	
18		23628704		FLOATER CASE						1	
19		23629306		PIPE STOPPER A						5	
20		23629405		PIPE STOPPER B						3	
21		23539703		LUBRICATION TANK PIPE GUIDE						1	
22		23540107		ONCE THROUGH OIL FELT PRESSER						1	
23		23629504		DISTRIBUTOR						1	
24		23629603		OIL INLET						1	
25		23629801		LUBRICATION CONNECTOR						5	
26		23630205		SCREW						1	
27		RO098240100		RUBBER RING						1	
28		RO195240100		RUBBER RING						1	
29		SS4110615SP		SCREW 11/64-40 L=6						1	
30		SS4110815SP		SCREW 11/64-40 L=8						2	
31		SS4121615SP		SCREW 3/16-28 L=16						2	
32		SS4110615SP		SCREW 11/64-40 L=6						1	
33		SS4111415SP		SCREW 11/64-40 L=14						1	
34		M8002430000		STOPPER						1	
35		23630007		TUBE						.07	
36		23630007		TUBE						.12	
37		23630007		TUBE						.18	
38		23630007		TUBE						.14	
39		23630007		TUBE						.22	
40		23630106		TUBE B						.31	
41		23630106		TUBE B						.35	
42		TA0850604R0		RUBBER PLUG						1	
43		WP0460556SD		WASHER 4.6X7.5X0.5						3	
44		SS4120615SP		SCREW 3/16-28 L=6						2	
45		SL6052092TN		SCREW						1	
46	R	13530209	26230409	LUBRICATING OIL WICK STOPPER						1	1.00

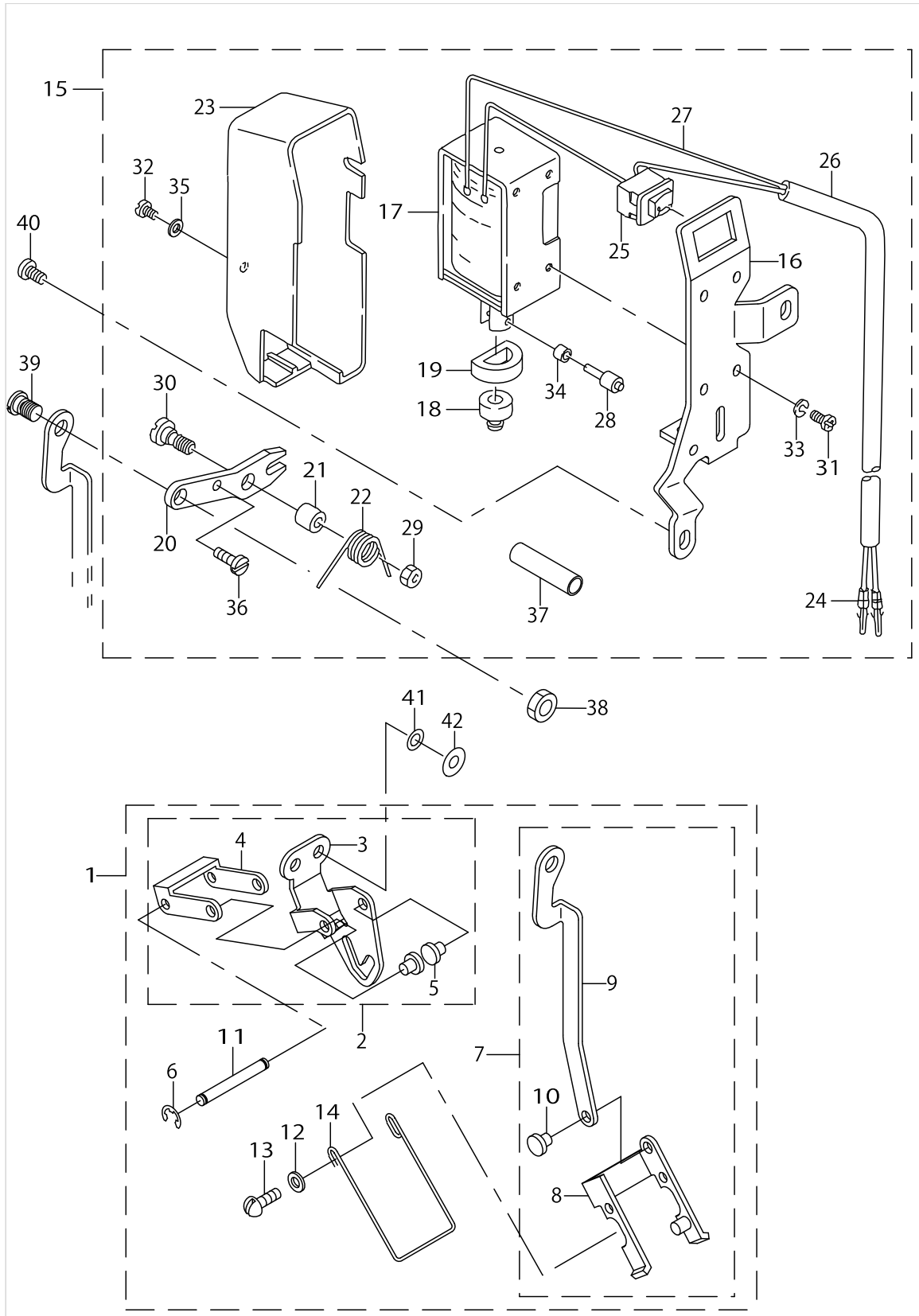
LUBRICATION COMPONENTS



LUBRICATION COMPONENTS

No.	Supply Code	Parts No.	Replacement	Parts name	Remarks	Choice	Step	Level	Cons	Qty	Rep. QTY
47		NM3050610SF		NUT						1	

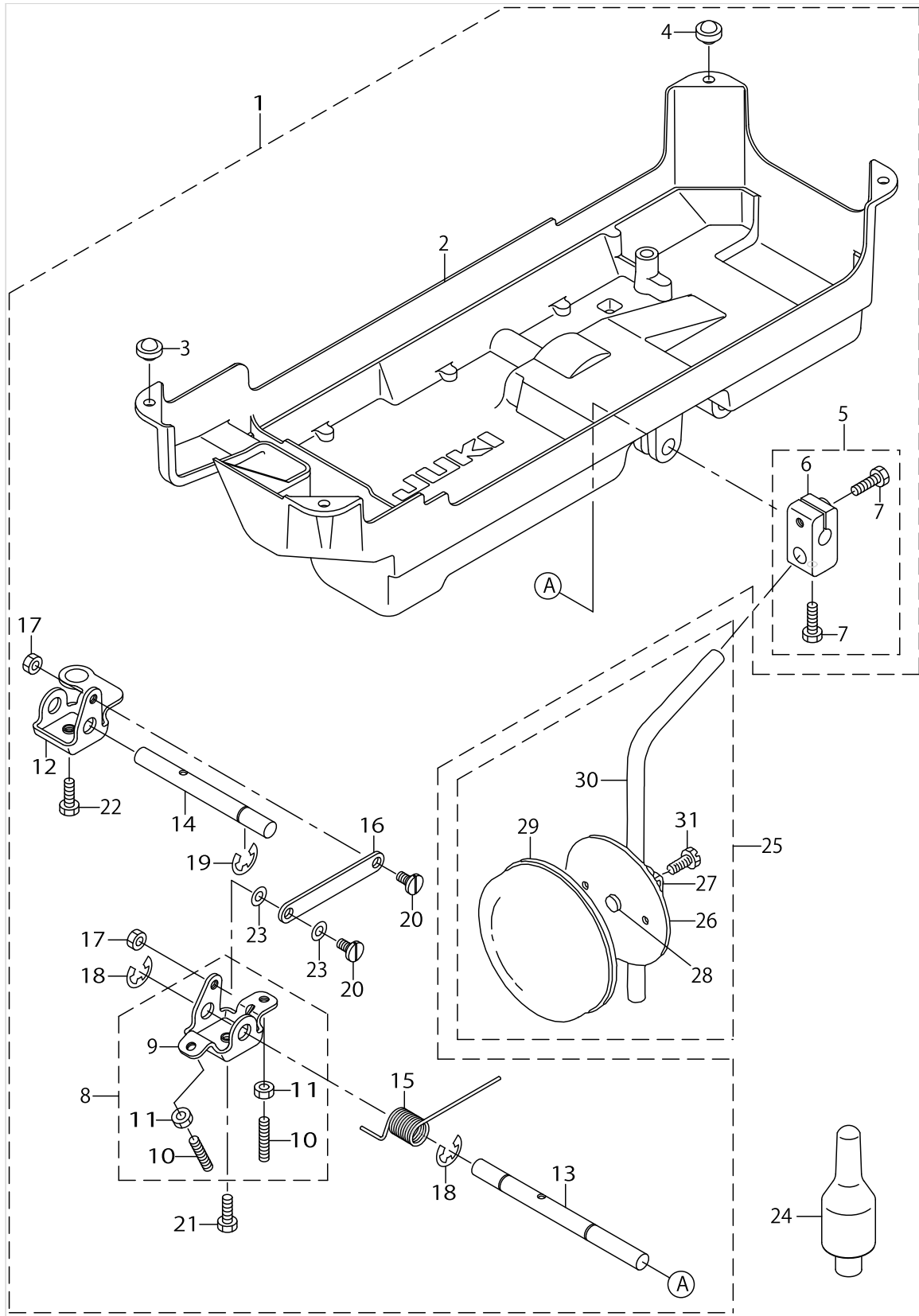
WIPER MECHANISM COMPONENTS (FOR LZ-2290SS-7-WB,LZ-2290SU-7-WB)



WIPER MECHANISM COMPONENTS (FOR LZ-2290SS-7-WB,LZ-2290SU-7-WB)

No.	Supply Code	Parts No.	Replacement	Parts name	Remarks	Choice	Step	Level	Cons	Qty	Rep. QTY
1		22561757		WIPER ASM.						1	
2		22561856		WIPER BASE ASM.				*		1	
3	R	22561807	22561856	WIPER BASE				*		1	1.00
4	R	10208601	10208551	WIPER LINK 1				*		1	1.00
5		D2107490D00		PIN				*		2	
6		RE0320000K0		E-RING 3.2				*		2	
7		22561955		WIPER LINK COMPL.				*		1	
8	R	10208858	10208866	WIPER LINK ASM. 2				*		1	1.00
9	R	22561906	22561955	WIPER LINK				*		1	1.00
10		D2107490D00		PIN				*		1	
11		10208700		WIPER LINK SHAFT				*		1	
12		WP0371016SD		WASHER 3.7X8X1				*		2	
13		SS3090520SP		SCREW 9/64-40 L=4.5				*		2	
14		22561708		WIPER				*		1	
15		23543051		WIPER SOLENOID ASM.						1	
16		22562102		WIPER BASE				*		1	
17	R	11110301	40106936	WIPER SOLENOID				*		1	1.00
18	R	11110400	22955900	WIPER RUBBER A				*		1	1.00
19	R	11110509	22956007	WIPER RUBBER B				*		1	1.00
20		22562201		WIPER LINK				*		1	
21	R	11110707	22956205	WIPER HINGE SCREW COLLAR				*		1	1.00
22	R	11110806	22956304	WIPER SPRING				*		1	1.00
23	R	11072709	22955504	WIPER COVER				*		1	1.00
24		HK034630000		TERMINAL				*		2	
25		HA000590000		POWER SWITCH				*		1	
26		HW5F18S1228		TWO-CORE CORD				*		0.17	
27		HW200390000		ELECTRIC WIRE				*		0.04	
28	R	11112000	22957104	WIPER SOLENOID PIN				*		1	1.00
29		NS6110310SP		NUT 11/64-40				*		1	
30		SD0650321TP		HINGE SCREW D=6.5 H=3.2				*		1	
31		SM4030601SN		SCREW M3 X 6				*		4	
32		SM4030601SN		SCREW M3 X 6				*		1	
33		WS0310002KR		SPRING WASHER 3.1X5.9X0.7				*		4	
34	R	11111804	22957203	WIPER LINK COLLAR				*		1	1.00
35		WP0320501SC		WASHER M3				*		1	
36		SS6111040SP		SCREW 11/64-40 L= 9.5				*		1	
37		E8760452J00		VINYL TUBE				*		0.03	
38		NS6110310SP		NUT 11/64-40						1	
39		SD0600271SP		HINGE SCREW D= 6 H= 2.7						1	
40		SS4120615SP		SCREW 3/16-28 L=6						2	
41		WP0480856SP		WASHER 4.8X8.4X0.8	VARIOUS NOS.FOR DESTINATIONS					2	
42		WP0482086SD		WASHER 4.8X11.5X2	VARIOUS NOS.FOR DESTINATIONS					2	

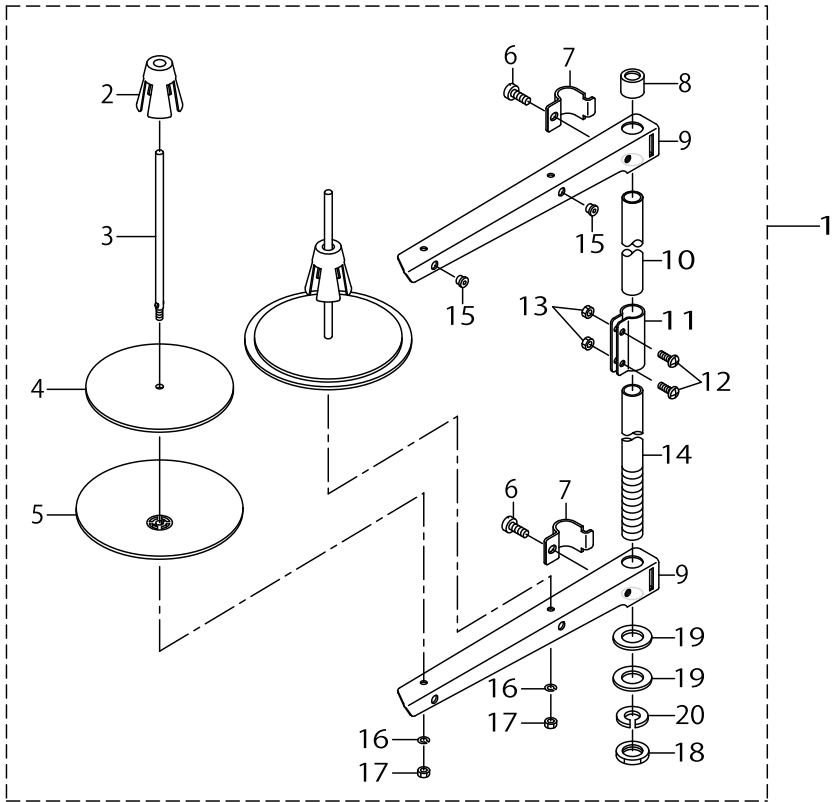
UNDER COVER COMPONENTS



UNDER COVER COMPONENTS

No.	Supply Code	Parts No.	Replacement	Parts name	Remarks	Choice	Step	Level	Cons	Qty	Rep. QTY
1	D	23543358		UNDER COVER ASM.						1	
2	R	23543309	23543358	UNDER COVER				*		1	1.00
3		11047107		RUBBER CUSHION				*		2	
4		10162600		RUBBER CUSHION				*		2	
5		22932453		BRACKET ASM.				*		1	
6	R	22932404	22932453	BRACKET				*		1	1.00
7	R	SM9062053SR	22934707	SCREW M6 L=20				*		2	1.00
8		23639156		BRACKET ASM.				*		1	
9	R	23639107	23639156	BRACKET				*		1	1.00
10		SM8063012TR		SCREW M6 L=30				*		2	
11		NM6060001SE		NUT M6				*		2	
12		23639206		CONNECTING ROT				*		1	
13		23639305		KNEE PRESS ROD				*		1	
14		23639404		SHAFT				*		1	
15		23639503		SPRING				*		1	
16		23639602		CONNECTING ROD				*		1	
17		NS6150310SP		NUT 15/64-28				*		2	
18		RE1000000K0		E-RING 10				*		2	
19		RE1000000K0		E-RING 10				*		1	
20		SD0720331SP		HINGE SCREW D= 7.24 H= 3.3				*		2	
21		SM9061853SR		SCREW M6 L=17.5				*		1	
22		SM9061853SR		SCREW M6 L=17.5				*		1	
23		WP0650876SD		WASHER 6.5X13X0.8				*		2	
24		14101208		MACHINE FRAME SUPPORT ROD						1	
25		22934251		KNEE PAD PLATE ASM.						1	
26		22934202		KNEE PAD PLATE				*		1	
27		22934301		KNEE PAD PLATE SUPPORT				*		1	
28		22934400		KNEE PAD PLATE RUBBER				*		1	
29		22934509		KNEE PAD PLATE COVER				*		1	
30		22934608		KNEE PAD UPRIGHT SHAFT				*		1	
31		SM9061203SE		SCREW M6 L=12				*		1	

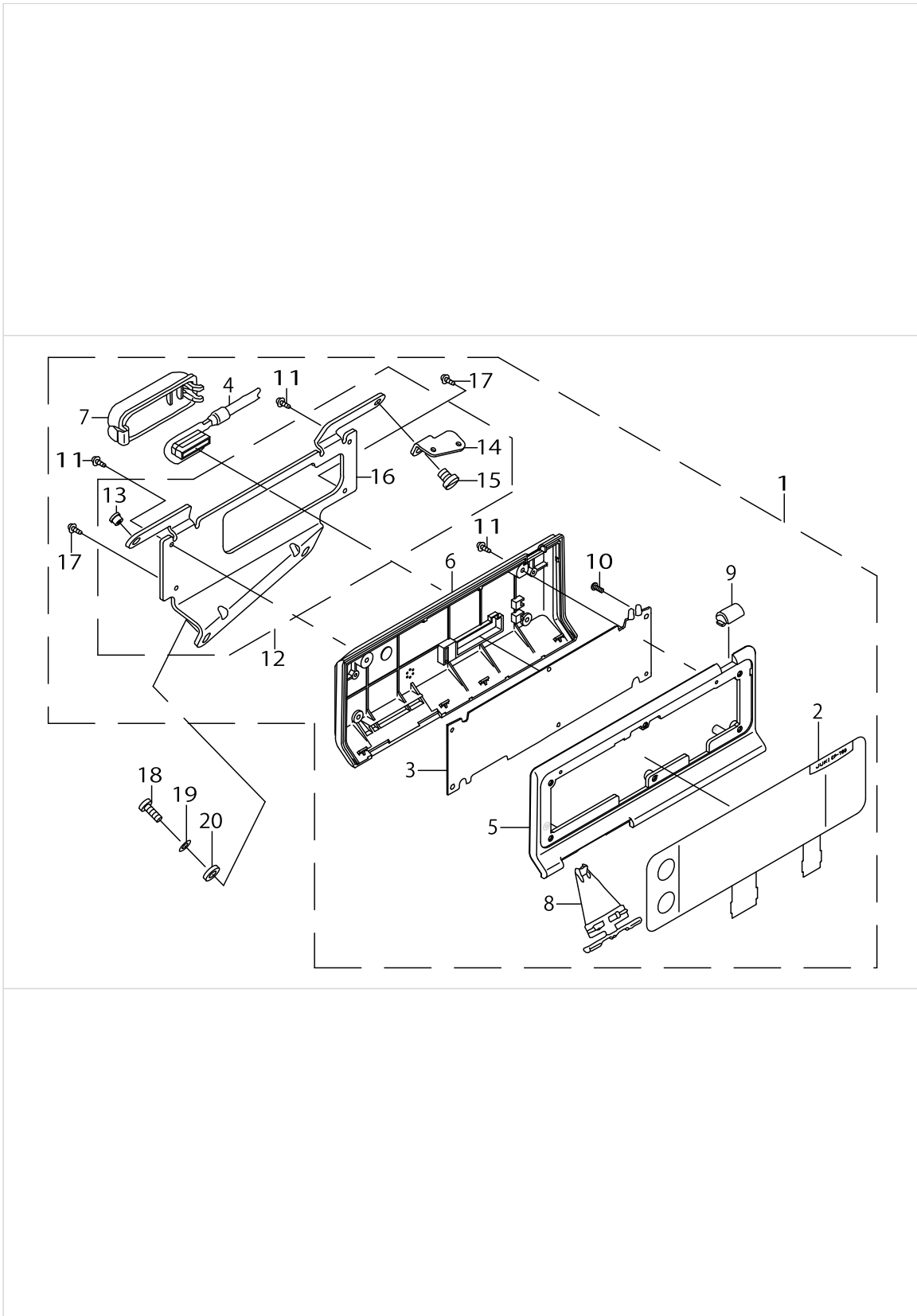
THREAD STAND COMPONENTS



THREAD STAND COMPONENTS

No.	Supply Code	Parts No.	Replacement	Parts name	Remarks	Choice	Step	Level	Cons	Qty	Rep. QTY
1	R	22930358	40096354	THREAD STAND ASM.						1	1.00
2	R	22931109	40085791	SPOOL RETAINER				*		2	1.00
3	R	22931000	40085790	SPOOL PIN				*		2	1.00
4		22930903		SPOOL REST CUSHION				*		2	
5		22930804		SPOOL REST				*		2	
6		SM6061610SC		SCREW M6 L=16				*		2	
7	R	22930705	40096354	THREAD GUIDE ARM JOINT				*		2	1.00
8		22931406		SPOOL REST ROD RUBBER CAP				*		1	
9	R	22930507	40096354	SPOOL REST ARM				*		2	1.00
10	R	22930408	40096354	SPOOL REST ROD, UPPER				*		1	1.00
11	R	22931307	40096354	SPOOL REST ROD JOINT				*		1	1.00
12		SM4051405SE		SCREW M5 L=14				*		2	
13		NM6050001SE		NUT M5				*		2	
14	R	22930309	40096354	SPOOL REST ROD, LOWER				*		1	1.00
15		22931208		THREAD GUIDE				*		2	
16		WS0510002KN		SPRING WASHER				*		2	
17		NM6050001SE		NUT M5				*		2	
18		NM6160511SE		NUT M16X1.5				*		1	
19		WP1702600S0		WASHER 17X30X2.6				*		2	
20	R	WS1643202KR	WP1612616SE	SPRING WASHER		A		*		1	2.00
20	R	WS1643202KR	40085796	SPRING WASHER		A		*		1	2.00

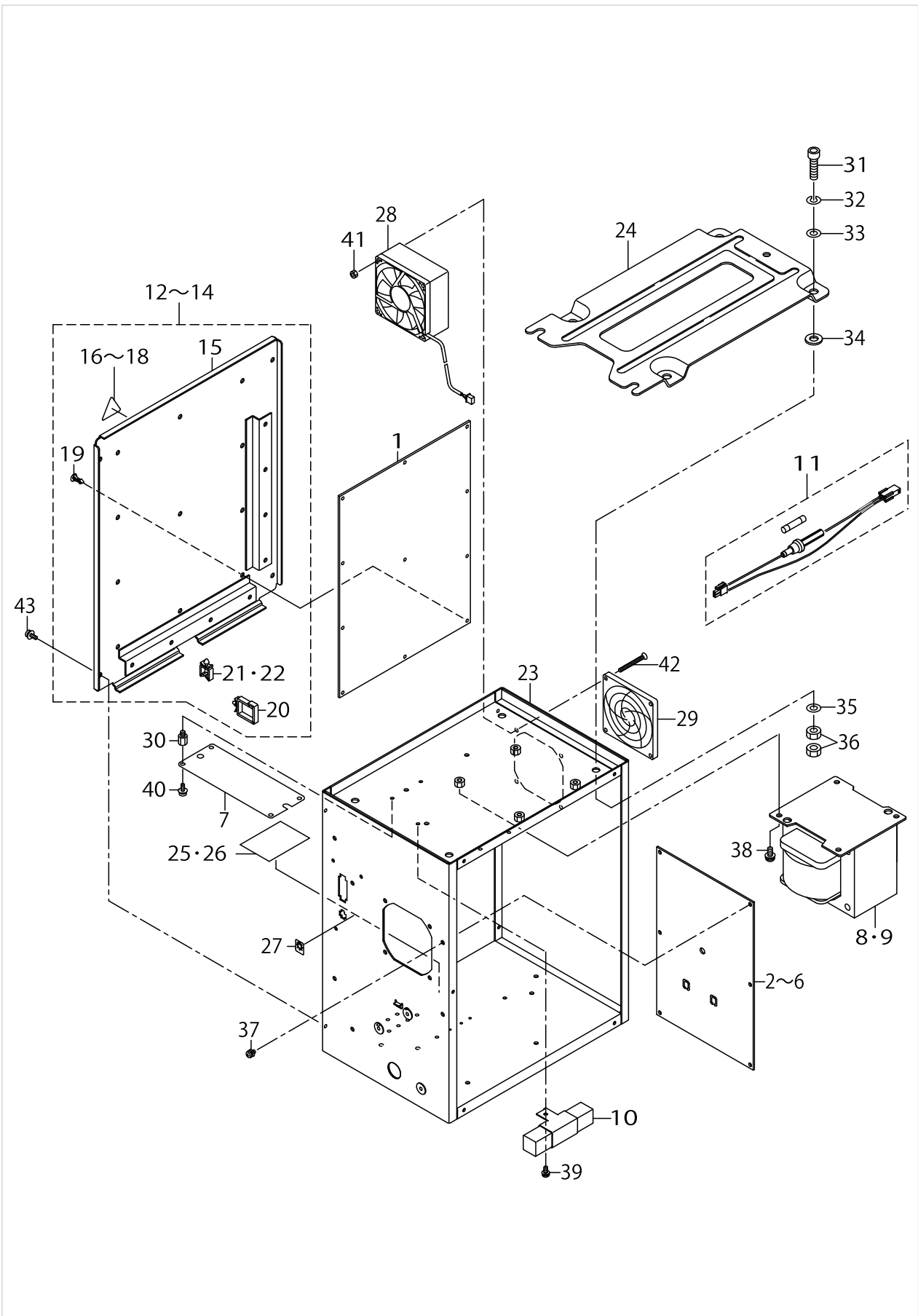
CP-760 PANEL COMPONENTS



CP-760 PANEL COMPONENTS

No.	Supply Code	Parts No.	Replacement	Parts name	Remarks	Choice	Step	Level	Cons	Qty	Rep. QTY
1	D	M2501388AAA		CP-760 PANEL ASM.						1	
2		M1101388AA0		CP-760 SWITCH ASM.				*		1	
3		M8601388AA0		CP BOARD A ASM.				*		1	
4	D	M8501388AA0		PANEL CORD ASM.				*		1	
5		M1008371000		FRONTPANELTYPEB				*		1	
6	D	M1009388000		BACK PANEL				*		1	
7		M1003371000		CORD EXIT COVER				*		1	
8		M1003370000		SPEED ADJUSTING KNOB, A				*		1	
9	D	M1005371000		INDICATION WINDOW				*		1	
10		SM4030801SC		SCREW M3 X 8				*		6	
11		SV4031006SR		SCREW M3 L=10				*		4	
12		M1001388AA0		PANEL BRACKET ASM.				*		1	
13	R	B3319704L00	22931208	THREAD GUIDE				*		1	1.00
14	R	B1111232000	26211904	THREAD GUIDE PLATE				*		1	1.00
15		SS7150740SP		SCREW 15/64-28 L=7				*		1	
16	R	M1001388000	M1001388AA0	PANEL BRACKET				*		1	1.00
17		SV4031605SR		SCREW M3 L=16				*		2	
18		SS4121215SP		SCREW 3/16-28 L=12	ACCESSO- RIE PARTS					2	
19		WP0550800SP		WASHER 5.5X10X0.8	ACCESSO- RIE PARTS					2	
20		B1144771000		FRAME SIDE COVER GASKET (C)	ACCESSO- RIE PARTS					2	

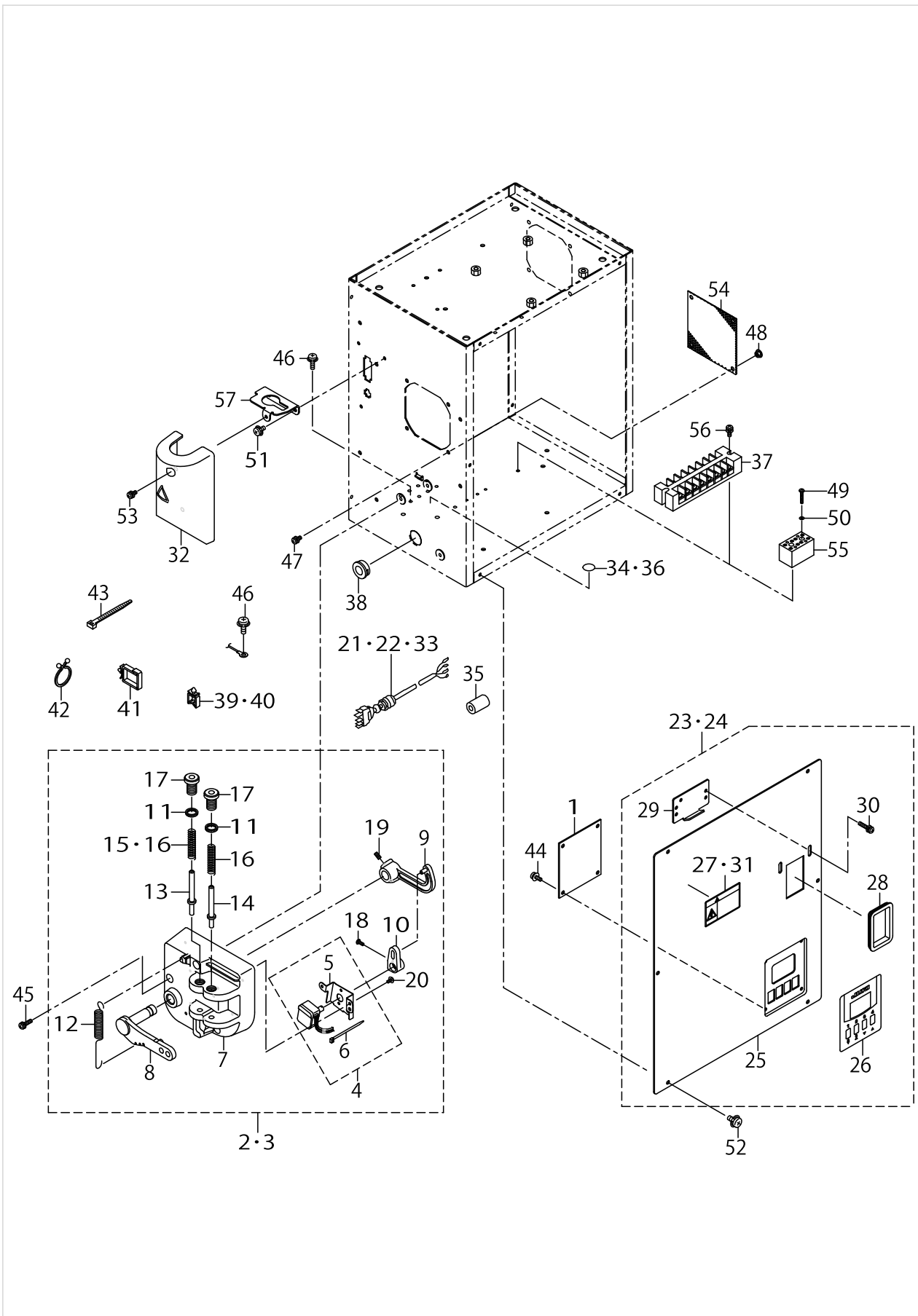
SC-905 TRANSMISSION COMPONENTS (1)



SC-905 TRANSMISSION COMPONENTS (1)

No.	Supply Code	Parts No.	Replacement	Parts name	Remarks	Choice	Step	Level	Cons	Qty	Rep. QTY
1	D	M8601476AA0		CTL BOARD A ASM.						1	
2	D	M8602476AA0		PWR BOARD A ASM.	FOR JAPAN					1	
3	D	M8602476BA0		PWR BOARD B ASM.	FOR JUS,- GENERAL EXPORT 220V 3φ					1	
4	D	M8602476CA0		PWR BOARD C ASM.	FOR GENE- RAL EXPO- RT 220V 1φ					1	
5	D	M8602476DA0		PWR BOARD D ASM.	FOR CE					1	
6	D	M8602476FA0		PWR BOARD F ASM.	FOR JUS 120V 1φ					1	
7	D	M8605471BA0		FTR BOARD B ASM.	FOR CE					1	
8		M8501476AA0		TRANSFORMER A ASM.	EXCEPT CE					1	
9	D	M8501476BA0		TRANSFORMER B ASM.	FOR CE					1	
10		M8502476AA0		REGENERATIVE RE- SISTANCE A ASM.						1	
11	D	M8511461AA0		LAMP FUSE A ASM.	FOR JUS					1	
12		M3401476AA0		REAR COVER A ASM.	FOR JAPAN					1	
13		M3401476BA0		REAR COVER B ASM.	FOR CE					1	
14		M3401476CA0		REAR COVER C ASM.	EXCEPT JAPAN,CE					1	
15		M3401476000		TRANSMISSION BOX REAR COVER				*		1	
16		CM300100302		LABEL(SMALL)	FOR CE			*		1	
17		CM300100101		DANGER LABEL (SMALL)	FOR JAPAN			*		1	
18		CM300100001		LABEL	EXCEPT JAPAN,CE			*		1	
19		HX00269000A		PCB SUPPORT				*		11	
20		HX005110000		WIRE SADDLE				*		3	
21	D	HX00222000A		CABLE CLAMP				*		2	
22		HX00222000B		CABLE CLAMP				*		1	
23		M3001476000		TRANSMISSION BOX						1	
24		M3801476000		TRANSMISSION BOX FITTING PLATE						1	
25		M7002476A00		SEAL A	EXCEPT CE					1	
26		M7002476B00		SEAL B	FOR CE					1	
27		M7003461000		LAMP LABEL	EXCEPT CE					1	
28		M85405900A0		FAN ASM.						1	
29		HM000860010		FAN FILTER						1	
30		HX003390000		STUD	FOR CE					4	
31		SM6083002TN		SCREW M8 L=30						4	
32		WS0820002KR		SPRING WASHER, M8						4	
33		WP0841601SC		WASHER 8.4X17.4X1.6						4	
34		M4206461000		WASHER						4	
35		WP0841601SC		WASHER 8.4X17.4X1.6						4	
36		NM6080001SC		NUT M8X1.25						8	
37		SL4040891SC		SCREW M4 L=8						4	
38		SL4051291SC		SCREW M5X0.8 L=12						4	
39		SL4041081SF		SCREW M4 L=10						1	
40		SL4040691SC		SCREW M4 L=6	FOR CE					4	
41		NM3040520SF		FLANGE NUT M4						2	
42		SM1044050SM		SCREW M4X0.7 L=40						2	
43		SL4041091SC		SCREW M4 L=10						4	

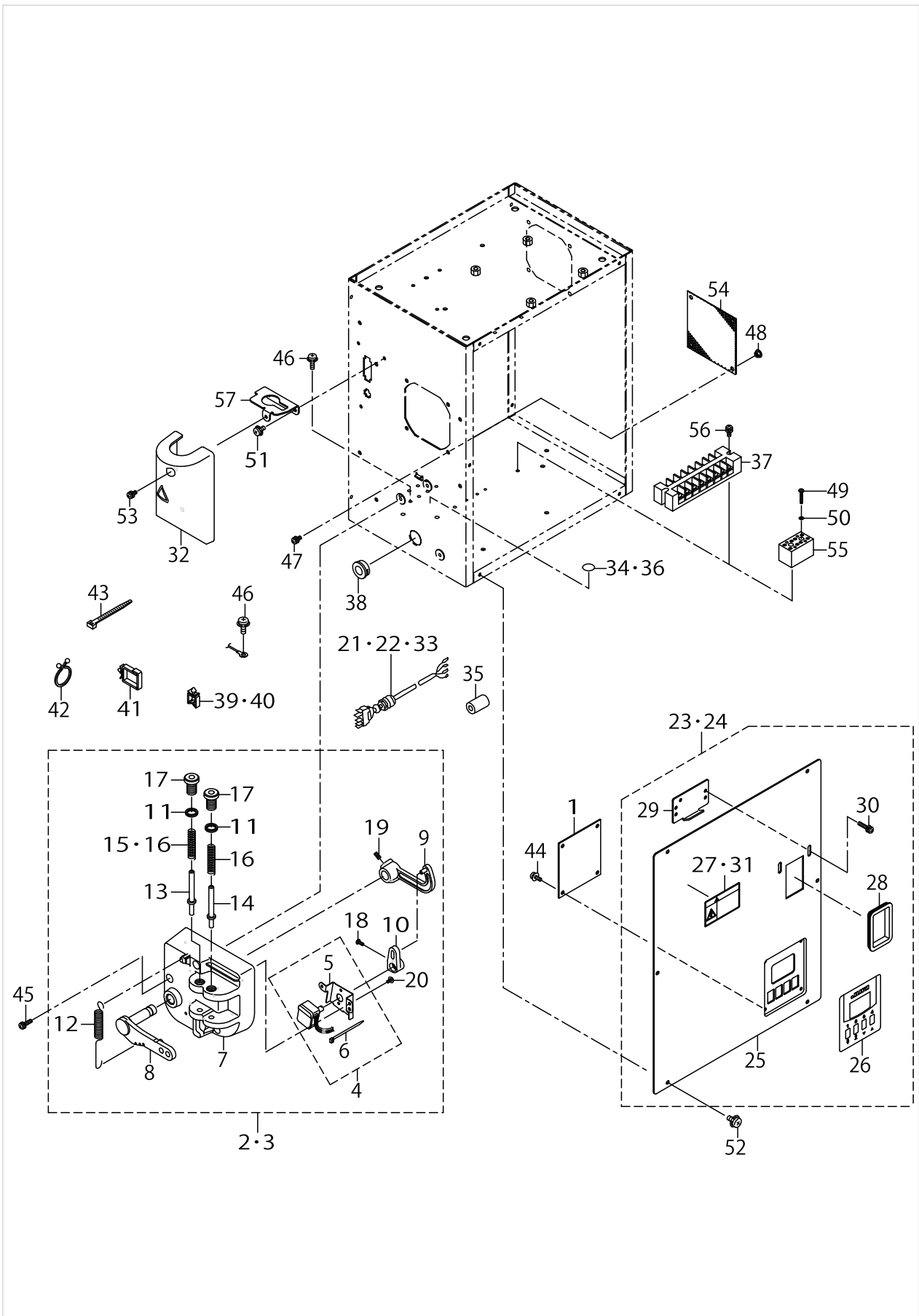
SC-905 TRANSMISSION COMPONENTS (2)



SC-905 TRANSMISSION COMPONENTS (2)

No.	Supply Code	Parts No.	Replacement	Parts name	Remarks	Choice	Step	Level	Cons	Qty	Rep. QTY
1		M8603476AA0		LP BOARD A ASM.						1	
2	D	M4001476AA0		PEDAL SENSOR A ASM.	FOR STD PEDAL					1	
3	D	M4001476BA0		PEDAL SENSOR B ASM.	FOR PFL PEDAL					1	
4	D	M4006476AA0		SENSOR FITTING PLATE A ASM.				*		1	
5		M4006461000		SENSOR INSTALLING PLATE				*		1	
6		EA9500B0100		CABLE BAND				*		1	
7		M4001461000		PEDALSENSORBASE				*		1	
8		M4002461000		PEDAL LEVER				*		1	
9	R	M4004461000	40006204	PEDAL RING				*		1	1.00
10		M4005461000		VOLUME LINK				*		1	
11		M2010110000		ADJUST NUT				*		2	
12		M4007351000		FRONT SPRING				*		1	
13		M4008351000A		SPRING SHAFT A				*		1	
14		M4009351000A		SPRING SHAFT B	FOR PFL PEDAL			*		1	
15		M4010351000		SPRING A	FOR STD PEDAL			*		1	
16		M4011351000		SPRING B	FOR PFL PEDAL			*		2	
17		M4012351000		ADJUST SCREW				*		2	
18		SM4030801SF		SCREW M3X0.5 L=8				*		1	
19		SM8040802TP		SCREW M4X8				*		2	
20		SV4030601SR		SCREW M3 L=6				*		2	
21		M6102471AA0		PSC UNIT CABLE A ASM.	FOR JUS 220V 3φ					1	
22	D	M6102471BA0		PSC UNIT CABLE B ASM.	FOR JUS 120V 1φ					1	
23		M3201476AA0		FRONTCOVERAASM.	FOR JAPAN					1	
24		M3201476CA0		FRONTCOVERCASM.	EXCEPT JAPAN					1	
25		M3201476000		TRANSMISSION BOX FRONT COVER				*		1	
26		M3202476000		LP WINDOW				*		1	
27		CM300100101		DANGER LABEL (SMALL)	FOR JAPAN			*		1	
28		HX004070000		BUSH				*		1	
29		17845009		CORDFITTINGPLATE				*		1	
30		SL4042091SC		SCREW M4X0.7 L=20				*		2	
31		CM300100001		LABEL	EXCEPT JAPAN			*		1	
32	D	M3806461AA0		TERMINAL BASE COVER A ASM.	FOR JUS,CE					1	
33		M6102476DA0		PSC UNIT CABLE D ASM.	FOR CE					1	
34		CM200100001		PE MARK LABEL	FOR CE					1	
35		HN00149000A		CLAMP FILTER	EXCEPT CE					1	
36		E9567319000		EARTH MARK	EXCEPT CE					1	
37		HK026650080		TERMINAL BASE 8P	EXCEPT CE					1	
38		HX00188000D		BUSH						1	
39	D	HX002220000		WIRE SADDLE						4	
40	D	HX00222000A		CABLE CLAMP						4	
41		HX005110000		WIRE SADDLE						2	
42		HX005100000		OMEGALOCK						3	
43		EA9500B0100		CABLE BAND	FOR JUS					2	
44		SL4040881SF		SCREW M4 L=8						4	
45		SL4041681SF		SCREW M4 L=16						3	
46		SL4041091SE		SCREW M4 L=10						7	

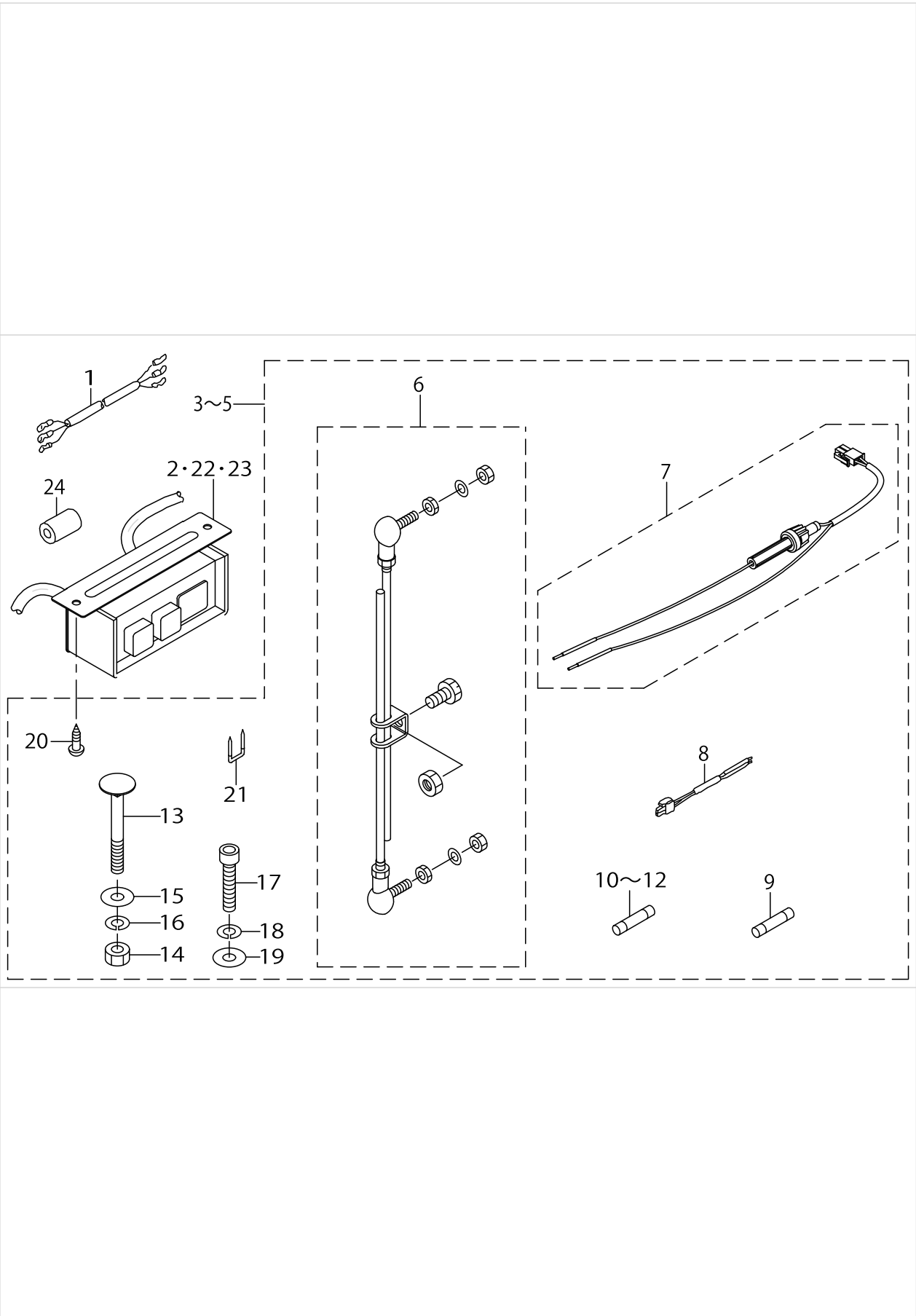
SC-905 TRANSMISSION COMPONENTS (2)



SC-905 TRANSMISSION COMPONENTS (2)

No.	Supply Code	Parts No.	Replacement	Parts name	Remarks	Choice	Step	Level	Cons	Qty	Rep. QTY
47		SL4041091SC		SCREW M4 L=10						4	
48		NM3040520SF		FLANGE NUT M4						4	
49		SM4031851SR		SCREW	FOR CE					2	
50		WS0310702KS		SPRING WASHER	FOR CE					2	
51		SL4041091SC		SCREW M4 L=10	FOR JUS,CE					2	
52		SL4041091SC		SCREW M4 L=10						6	
53		SL4041081SC		SCREW M4 L=10	FOR JUS,CE					2	
54		M1004581000		VENTILATION COVER						1	
55		HK054250040		TERMINAL BASE	FOR CE					1	
56		SL4041281SF		SCREW M4 L=12	EXCEPT CE					2	
57		M3601476000		COVER FITTING PLATE	FOR JUS,CE					1	

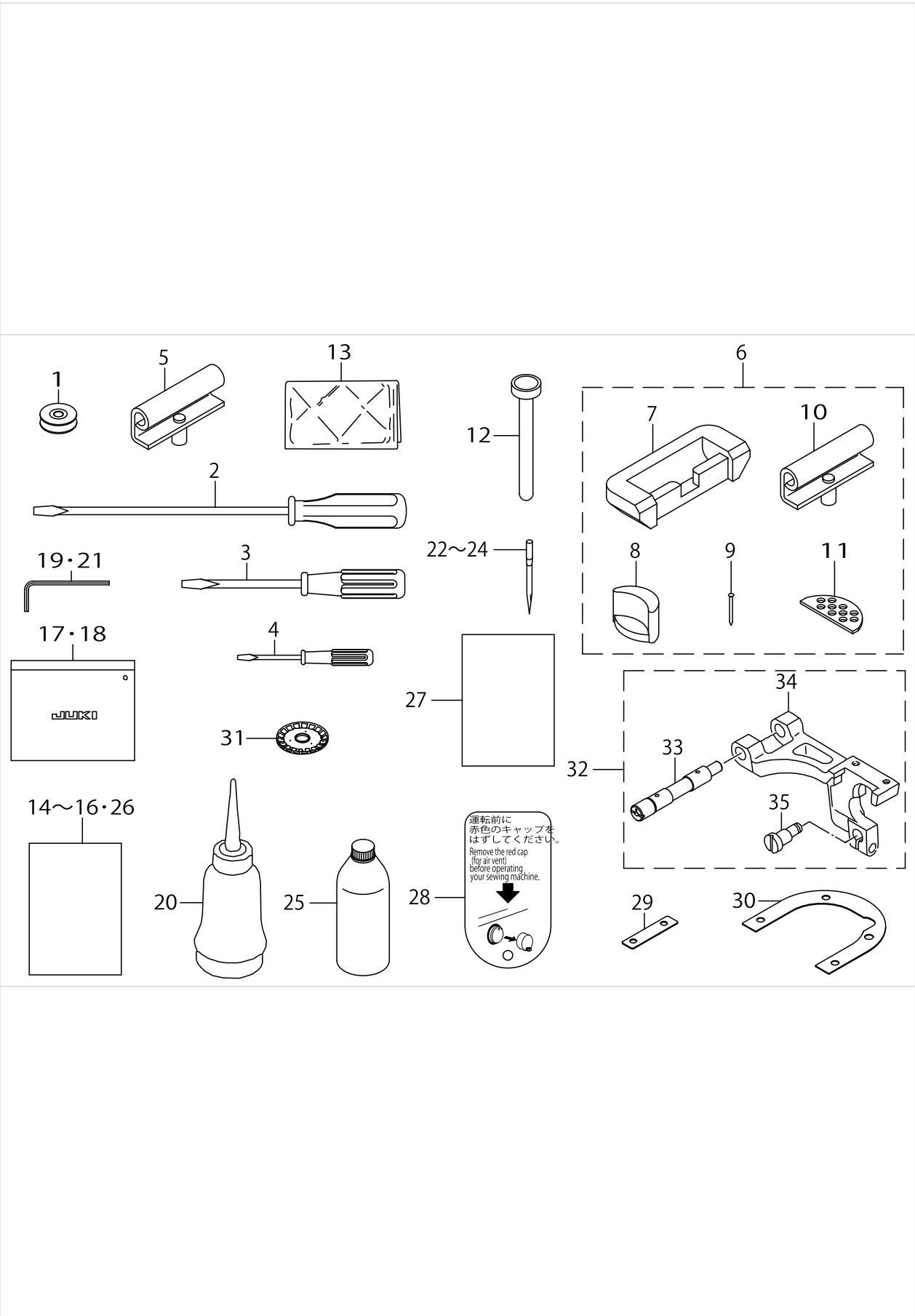
SC-905 ACCESSORIE PART COMPONENTS



SC-905 ACCESSORIE PART COMPONENTS

No.	Supply Code	Parts No.	Replacement	Parts name	Remarks	Choice	Step	Level	Cons	Qty	Rep. QTY
1		M6102461DAA		AC INPUT CABLE ASM.(CE)	FOR CE					1	
2	D	M6101471BA0		POWER SOURCE SWITCH B ASM.	FOR JAPAN 100V 1 ϕ					1	
3		M4401476AA0		BOX ACCESSORIE PART A ASM.	FOR EXCE- PT CE,JUS					1	
4		M4401476BA0		BOX ACCESSORIE PART B ASM.	FOR CE					1	
5		M4401476CA0		BOX ACCESSORIE PART C ASM.	FOR JUS					1	
6		22958458		CONNECTING ROD ASM. B				*		1	
7	D	M8525351AA0		LAMP FUSE HOLDER ASM., A	FOR EXCE- PT CE,JUS			*		1	
8		M8526351AA0		LAMP CORD ASM., A	FOR JUS			*		1	
9		M9644110000		FUSE 8A	EXCEPT CE			*		1	
10		HF0078020P0		FUSE 2A				*		1	
11		HF0084063P0		FUSE				*		1	
12		HF008101500		FUSE 250VT 15A				*		1	
13		MTSHJ100003		BOLT				*		2	
14		NM6080002SC		NUT M8				*		2	
15		WP0852086SC		WASHER M8				*		2	
16		WS0820002KR		SPRING WASHER, M8				*		2	
17		SM6084002TN		SCREW M8 L=40				*		1	
18		WS0820002KR		SPRING WASHER, M8				*		1	
19		WP0841601SC		WASHER 8.4X17.4X1.6				*		1	
20		SK3512001SE		WOOD SCREW D=5.1 L=20	FOR EXCE- PT CE,JUS			*		2	
21		MAO11532000		CORD STAPLE	EXCEPT JUS			*		5	
22		M6101471CA0		POWER SWITCH C ASM.	FOR GENE- RAL EXPO- RT 220V 1 ϕ					1	
23	D	M6101471AA0		POWER SWITCH A ASM.	FOR GENE- RAL EXPO- RT 220V 3- ϕ JAPAN 200V 3 ϕ					1	
24		HN00149000A		CLAMP FILTER	FOR CE					3	

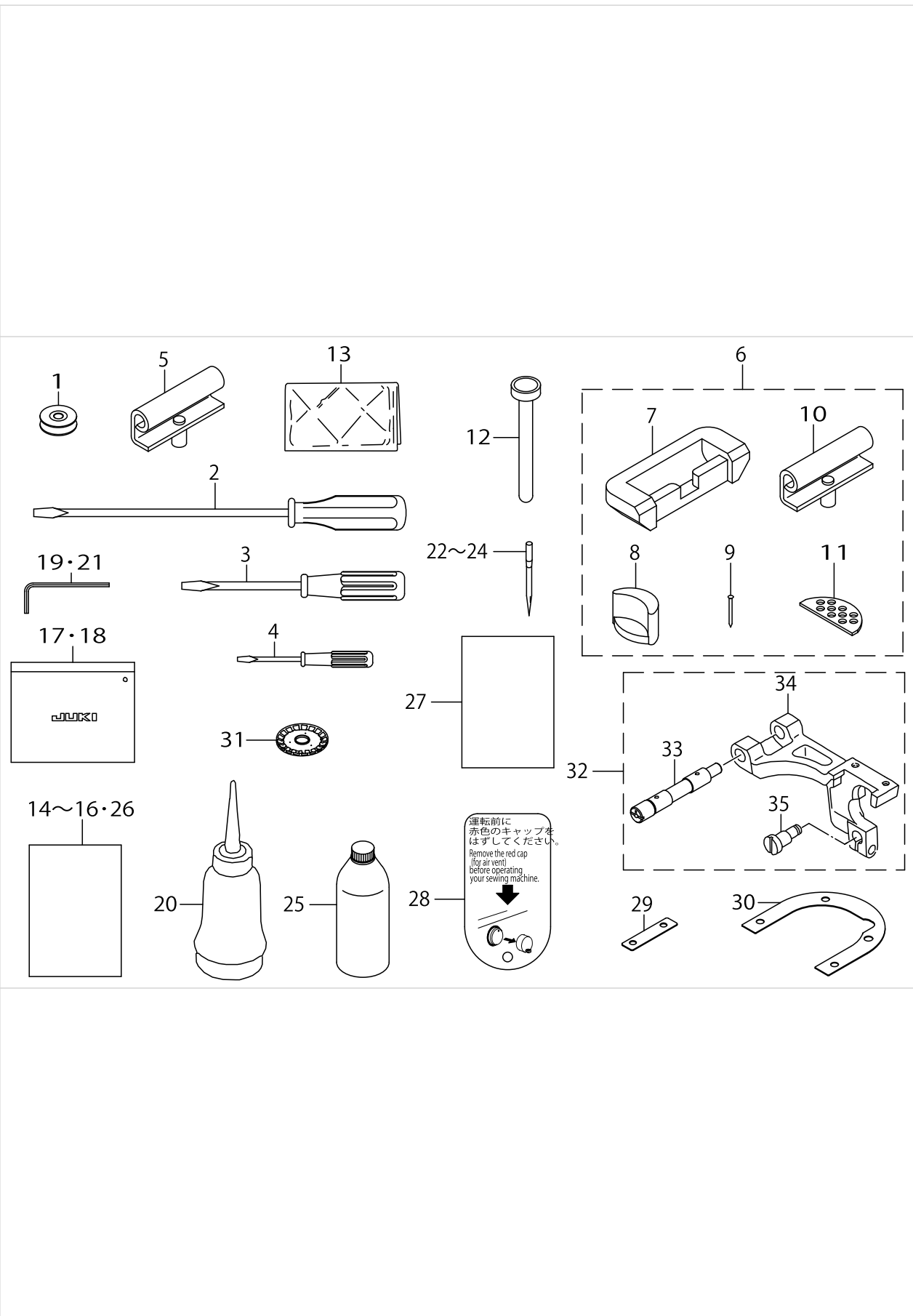
ACCESSORIE PART COMPONENTS



ACCESSORIE PART COMPONENTS

No.	Supply Code	Parts No.	Replacement	Parts name	Remarks	Choice	Step	Level	Cons	Qty	Rep. QTY
1		22596704		BOBBIN S						1	
2		22933006		SCREW DRIVER,LARGE						1	
3		22933105		SCREW DRIVER,MIDDLE						1	
4		22933204		SCREW DRIVER,SMALL						1	
5	R	22926356	22958052	HINGE COMPL.	VARIOUS NOS.FOR DESTINATIONS					1	1.00
6		22958052		RUBBER HINGE ASM.	VARIOUS NOS.FOR DESTINATIONS					1	
7	R	22926000	22958052	RUBBER CUSHION				*		2	1.00
8	R	22958003	11075900	FRAME BUBBER CUSHION				*		2	1.00
9	D	22926208		NAIL				*		8	
10	R	22926356	22958052	HINGE COMPL.				*		2	1.00
11	R	22926505	D8226555E00	WASHER				*		2	1.00
12		23639701		KNEE LIFTER PRESSER ROD						1	
13	R	B9118232000	26234005	VINYL COVER	VARIOUS NOS.FOR DESTINATIONS					1	1.00
14		29180403		EC PRODUCTION DECLARATION	VARIOUS NOS.FOR DESTINATIONS					1	
15		29342201		INSTRUCTION MANUAL	VARIOUS NOS.FOR DESTINATIONS					1	
16		29342300		INSTRUCTION MANUAL	VARIOUS NOS.FOR DESTINATIONS					1	
17		22932800		ACCESSORIE BAG						1	
18	R	B9101552000	22932800	ACCESSORY BOX						1	1.00
19		B9102057000		WRENCH (3/32)						1	
20		B91210120A0		OILER ASM.						1	
21		J106600000B		HEXAGONAL WRENCH KEY (2MM)						1	
22		MC2005F0702		NEEDLE 134SUK 70-2	VARIOUS NOS.FOR DESTINATIONS					1	
23	R	MC192300752	MC192300750	NEEDLE 438 #75-2	VARIOUS NOS.FOR DESTINATIONS					1	1.00
24	R	MDP500B1002	MDP500B1000	NEEDLE DPX5 #10-2	VARIOUS NOS.FOR DESTINATIONS					1	1.00
25		MDFRX1600C0		DEFRIX OIL NO.1(600CC)						1	
26		29342102		PARTS LIST	VARIOUS NOS.FOR DESTINATIONS					1	
27		29342409		SHEET						1	
28		23640006		SHEET						1	
29		10025906		SPACER	FOR LZ-2290SS-7					1	
30		22503908		SPACER	FOR LZ-2290SS-7					1	
31		23547557		THREAD TENSION DISK T COMPL.	OPTIONAL PARTS					1	
32		23534951		R FEED KITS	SPECIAL ORDER PARTS					1	
33		23534902		FEED BASE SHAFT R				*		1	
34	R	22519706	26303107	FEED BASE		A		*		1	1.00
34	R	22519706	40031418	FEED BASE				*		1	1.00
35	R	10026508	26303107	LINK PIN		A		*		1	1.00

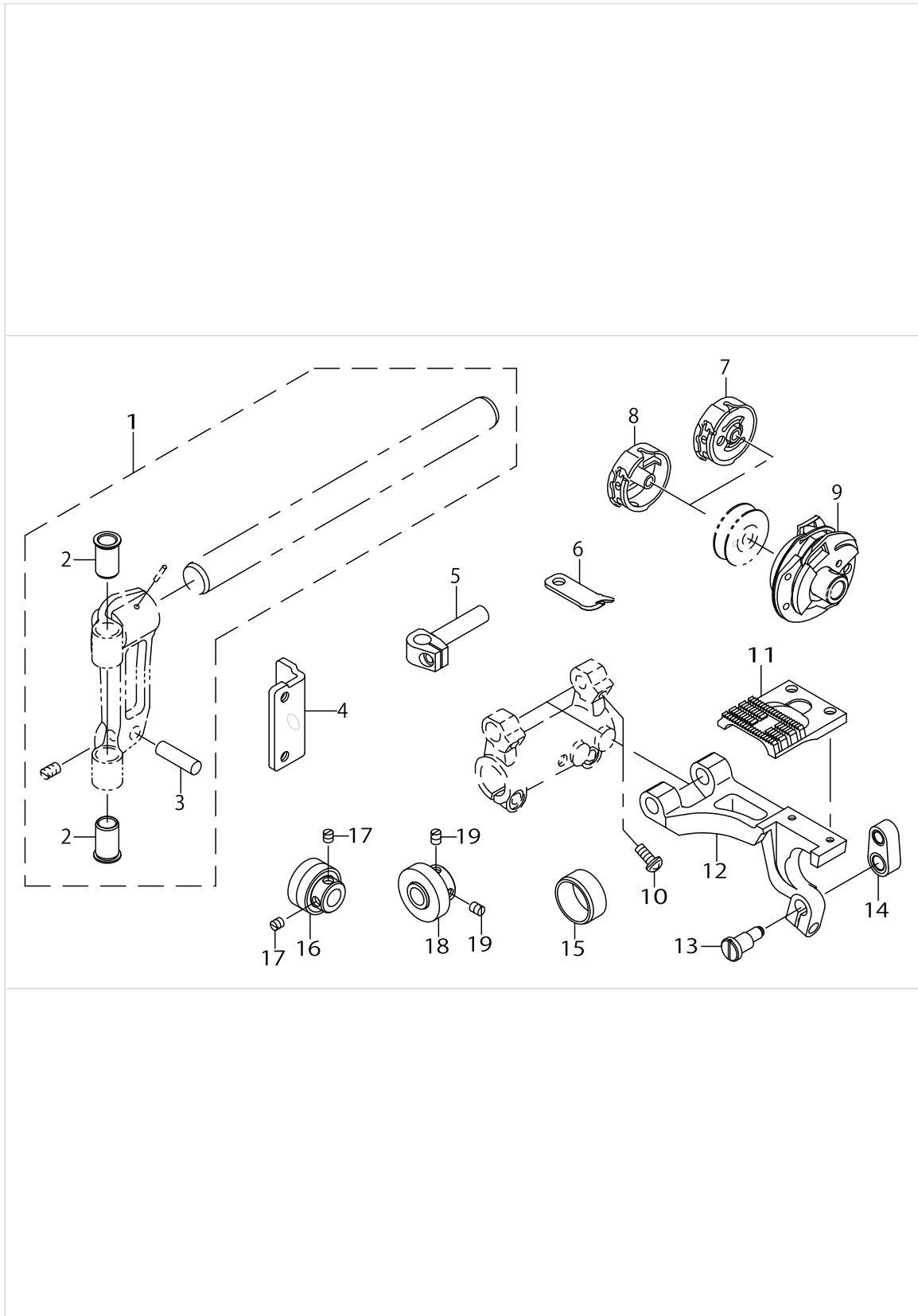
ACCESSORIE PART COMPONENTS



ACCESSORIE PART COMPONENTS

No.	Supply Code	Parts No.	Replacement	Parts name	Remarks	Choice	Step	Level	Cons	Qty	Rep. QTY
35	R	10026508	40031418	LINK PIN				*		1	1.00

COMMON PARTS FOR LZ-2290DS,LZ-2290DS-7,LZ-2290DU,LZ-2290DU-7



COMMON PARTS FOR LZ-2290DS,LZ-2290DS-7,LZ-2290DU,LZ-2290DU-7

No.	Supply Code	Parts No.	Replacement	Parts name	Remarks	Choice	Step	Level	Cons	Qty	Rep. QTY
1		23556053		NEEDLE ROD SUPPORT BASE D ASM.						1	
2	R	23556004	23556053	NEEDLERODMETALD				*		2	1.00
3		23556301		SUPPORT BASE GUIDE SHAFT D				*		1	
4	D	23556202		NEEDLE ROD CRANK ROD GUIDE D						1	
5		23556103		NEEDLE ROD HOLDER D						1	
6		23558109		INNER HOOK STOPPER D						1	
7	D	23557556		BOBBIN CASE D ASM.						1	
8		23557655		BOBBIN CASE D COMPL.						1	
9		23557259		HOOK COMPL. D						1	
10		SS4120915SP		SCREW 3/16-28 L=9	FOR LZ-22-90DS,LZ-2290DS-7					2	
11		23558208		FEED D						1	
12	D	23558000		FEED BASE D	FOR LZ-22-90DS,LZ-2290DS-7					1	
13		23558406		VERTICAL FEED LINK SHAFT D	FOR LZ-22-90DS,LZ-2290DS-7					1	
14	R	23558554	40010264	VERTICAL FEED LINK D ASM.	FOR LZ-22-90DS,LZ-2290DS-7					1	1.00
15		23557101		OIL SEAL COLLAR D						1	
16	D	23557051		BEARING D AMS.						1	
17		SS8110410TP		SCREW 11/64-40 L= 3.5						2	
18		23535255		HOOK SHAFT BEARING ASM.						1	
19	R	SS8110510SP	SS8110520TP	SCREW 11/64-40 L=5						2	1.00

NUMERICAL INDEX OF PARTS

PART NO	PAGE	REF NO.	PART NO	PAGE	REF NO.	PART NO	PAGE	REF NO.
10000206	4	31	11110509	50	19	22529002	4	65
10001709	4	30	11110707	50	21	22529101	6	66
10004109	8	8	11110806	50	22	22529200	6	67
10004208	8	9	11111804	50	34	22529473	10	51
10004307	8	10	11112000	50	28	22529481	10	50
10006005	6	74	11214806	36	9-22	22536502	10	75
10006104	6	75	11302700	26	22	22537658	8	31
10008753	12	25	11314408	38	13	22538151	8	32
10022010	18	16	13530001	4	63	22538409	8	36
10022309	18	17	13530209	8	12	22541007	22	23-67
10025906	36	1	13530209	46	46	22552905	42	14
10025906	66	29	13705603	42	21	22554505	32	9
10026110	22	34	13747308	4	32	22554703	32	11
10026201	22	35	14101208	52	24	22554802	32	12
10026300	22	36	17845009	60	29	22554901	32	13
10026508	66	35	21157300	38	12	22555304	32	14
10026508	68	35	22501605	6	98	22555551	32	15
10026516	22	37	22501704	2	19	22555858	32	16
10026805	22	32	22502009	2	20	22556906	32	17
10027001	24	23-67	22502108	2	21	22557458	32	18
10027100	24	40-68	22502207	2	22	22557557	32	21
10027308	22	38	22502504	10	76-77	22557706	32	22
10029619	22	39	22502702	2	23	22557805	32	23
10055051	18	11	22503007	2	24	22557904	32	24
10162600	52	4	22503908	8	27	22558001	32	27
10208601	50	4	22503908	66	30	22558100	32	28
10208700	50	11	22504104	4	26	22558159	32	26
10208858	50	8	22505705	12	17	22558209	32	25
10502300	10	56	22506208	12	16	22558308	32	19
11001609	8	11	22507305	14	42	22558407	32	20
11015906	28	20	22507404	12	39	22561708	50	14
11018405	6	88	22507503	12	40	22561757	50	1
11040854	32	6	22507701	14	65	22561807	50	3
11041407	32	8	22507800	12	41	22561856	50	2
11043601	4	33	22507800	14	41	22561906	50	9
11047107	52	3	22507909	12	38	22561955	50	7
11071701	18	10	22515357	18	8	22562102	50	16
11071800	18	9	22515506	18	7	22562201	50	20
11071909	26	20-33	22519706	66	34	22580864	18	13
11072402	10	54	22519714	22	21	22581508	22	24
11072709	50	23	22520001	22	22	22582407	8	7
11093606	10	53	22525877	28	14	22584965	18	12
11100500	26	21	22528350	6	76	22596605	4	25
11110301	50	17	22528509	6	77	22596704	28	15
11110400	50	18	22528764	6	87	22596704	66	1

NUMERICAL INDEX OF PARTS

PART NO	PAGE	REF NO.	PART NO	PAGE	REF NO.	PART NO	PAGE	REF NO.
22683809	14	67	23501802	36	4	23530355	16	8
22888002	22	26	23501901	36	2	23530611	16	14
22890008	28	31	23503154	18	14	23530702	16	15
22902605	4	27	23503162	18	15	23530801	16	16
22907406	18	18-19	23503402	28	16	23530900	16	29
22910509	22	14	23526205	2	2	23531007	16	17
22913107	36	5	23526312	2	3	23531114	14	60
22913206	36	3	23526403	2	4	23531213	14	66
22921407	6	78	23526502	8	1	23531304	18	1
22926000	66	7	23526601	8	2	23531403	18	2
22926208	66	9	23526700	8	3	23531502	18	3
22926356	66	10	23526809	8	4	23531601	18	4
22926505	66	11	23527005	2	5	23531908	22	2
22930309	54	14	23527104	2	6	23532005	22	20
22930358	54	1	23527203	8	5	23532104	22	7
22930408	54	10	23527401	6	97	23532203	22	10
22930507	54	9	23527500	8	29	23532302	22	8
22930705	54	7	23527559	8	28	23532401	22	9
22930804	54	5	23527807	12	2	23532500	22	1
22930903	54	4	23527906	12	1	23532609	22	5
22931000	54	3	23528003	12	3	23532708	22	19
22931109	54	2	23528102	12	4	23532807	22	6
22931208	54	15	23528201	12	10	23532906	22	3
22931307	54	11	23528250	12	5	23533003	22	4
22931406	54	8	23528359	12	6	23533102	22	13
22932404	52	6	23528458	12	7	23533151	22	12
22932453	52	5	23528508	10	47	23533201	22	11
22932800	66	17-18	23528557	10	46	23533300	22	17
22933006	66	2	23528607	10	48	23533359	22	16
22933105	66	3	23528706	12	34	23533409	26	3
22933204	66	4	23528755	12	33	23533508	26	5-31
22934202	52	26	23528805	12	36	23533607	26	19
22934251	52	25	23528904	12	37	23533706	26	1
22934301	52	27	23529100	14	52	23533805	26	2
22934400	52	28	23529159	14	51	23533904	26	4
22934509	52	29	23529209	14	53	23534001	26	6
22934608	52	30	23529308	14	54	23534209	26	11
22949002	32	7	23529407	14	56	23534258	26	10
22958003	66	8	23529506	14	55	23534308	26	9
22958052	66	6	23529605	14	61	23534407	26	8-32
22958458	64	6	23529704	14	62	23534506	26	30
23500960	2	1	23529803	14	59	23534902	66	33
23501356	36	8	23530009	16	2	23534951	66	32
23501604	36	11	23530066	16	1	23535008	28	4
23501703	36	10	23530116	16	3	23535107	28	1

NUMERICAL INDEX OF PARTS

PART NO	PAGE	REF NO.	PART NO	PAGE	REF NO.	PART NO	PAGE	REF NO.
23535255	28	2	23539406	46	4	23545304	24	66
23535255	70	18	23539505	46	7	23545403	36	7
23535305	28	17	23539703	46	21	23545502	26	5-31
23535404	28	18	23539901	10	62	23547557	66	31
23535503	28	5	23540008	46	14	23556004	70	2
23535602	28	3	23540057	46	13	23556053	70	1
23535701	30	6	23540107	46	22	23556103	70	5
23535818	30	1	23540800	42	7	23556202	70	4
23535909	30	2	23540800	44	6	23556301	70	3
23536055	30	3	23540859	42	3	23557051	70	16
23536105	30	4	23540859	44	2	23557101	70	15
23536253	30	5	23540909	42	12	23557259	70	9
23536303	28	6~	23540909	44	11	23557556	70	7
		11-39	23541055	42	9	23557655	70	8
23536402	28	6~	23541055	44	8	23558000	70	12
		11-39	23541154	44	1	23558109	70	6
23536501	28	6~	23541303	10	65	23558208	70	11
		11-39	23541352	10	64	23558307	36	19
23536600	28	6~	23541451	10	70	23558406	36	20
		11-39	23541709	30	17	23558406	70	13
23536709	28	6~	23541808	32	5	23558554	70	14
		11-39	23541956	32	1	23559909	36	9-22
23536808	28	11-39	23542053	32	2	23600604	6	91
23536907	30	7	23542103	32	3	23601305	4	28
23537103	30	8	23542202	32	4	23604200	12	15
23537202	28	19	23542301	32	10	23604309	12	14
23537350	28	13	23542400	32	36	23604804	12	9
23537459	28	12	23542509	38	1	23605009	12	8
23537558	6	72-73	23542608	38	2	23609001	18	6
23537657	6	79	23542707	38	6	23609209	18	5
23537756	6	80	23542756	38	3	23612609	22	27
23537806	6	81	23542806	38	4	23612807	22	28
23537954	6	72-73	23543051	50	15	23612906	22	29
23538002	6	86	23543309	52	2	23613102	22	30
23538150	42	2	23543358	52	1	23613607	26	13
23538259	42	1	23544109	16	4~7	23613706	26	14
23538457	40	1	23544208	16	4~7	23613805	26	15
23538507	40	2	23544307	16	4~7	23613953	26	16
23538606	40	3	23544406	16	11~13	23616709	22	33
23538705	40	7	23544505	16	11~13	23626005	6	82
23538903	28	6~	23544604	16	11~13	23628357	46	17
		11-39	23544802	16	4~7	23628704	46	18
23539000	28	30	23545007	26	8-32	23628803	28	32
23539158	46	1	23545106	36	18	23628902	28	33
23539307	46	3	23545205	24	65	23629009	28	34
23539356	46	2						

NUMERICAL INDEX OF PARTS

PART NO	PAGE	REF NO.	PART NO	PAGE	REF NO.	PART NO	PAGE	REF NO.
23629108	10	61	B1111232000	56	14	CM300200101	8	15-16
23629306	46	19	B1114012000	10	76-77	CM3002001A1	8	15-16
23629405	46	20	B1144771000	56	20	CQ220000000	46	10
23629504	46	23	B1148555000	8	37	CS1000811SP	24	70
23629603	46	24	B1505227T00A	18	18-19	CS100081CSP	24	69
23629801	46	25	B1510227000	18	20	CS100081CSP	30	18
23629900	4	29	B1516552000	18	21	CS1470710SH	24	47
23630007	46	39	B1517552000	18	22	D2056772B0B	32	35
23630106	46	41	B1521555000	18	23	D2107490D00	50	10
23630205	46	26	B1523226000	18	24	D2112555B00	4	64
23631104	38	5	B152989000CA	8	38	D2468555B00	38	7
23631708	42	4	B16085550A0	22	40-68	E5168172000	8	30
23631708	44	3	B1609804A00	22	41~45	E8760452G00	42	22
23631807	42	5	B1609804B00	22	41~45	E8760452G00	44	17
23631807	44	4	B1609804C00	22	41~45	E8760452J00	50	37
23631906	42	6	B1609804D00	24	41~45	E9567319000	60	34-36
23631906	44	5	B1609804E00	24	41~45	EA9500B0100	6	96
23632102	42	8	B1653470000	24	46	EA9500B0100	10	72
23632102	44	7	B1808552000	28	21	EA9500B0100	12	20
23636053	8	33	B2508704000	30	9	EA9500B0100	16	9
23636202	8	34	B3121352000	6	83-84	EA9500B0100	42	15
23636301	8	35	B3129012A00	6	83-84	EA9500B0100	44	16
23638109	10	66	B3205210000	10	39	EA9500B0100	60	43
23638208	10	67	B3212761000	10	40	EA9500B0200	10	60
23638307	10	68	B3214047000	10	52	G1615880000	30	11
23638406	10	69	B3319704L00	56	13	GAK33041000	18	28
23639107	52	9	B3416552000	18	25	GPR01015000	4	36
23639156	52	8	B3416555000	18	26	HA000590000	50	25
23639206	52	12	B3431581000	18	27	HF0078020P0	64	10~12
23639305	52	13	B3518280000	46	8	HF008101500	64	10~12
23639404	52	14	B3536122000	46	16	HF0084063P0	64	10~12
23639503	52	15	B3538112000	4	34	HK016530000	42	16
23639602	8	25	B9101552000	66	17-18	HK016530000	44	13
23639602	52	16	B9102057000	66	19-21	HK016590060	42	17
23639701	66	12	B9118232000	66	13	HK016590060	44	14
23640006	66	28	B91210120A0	66	20	HK026650080	60	37
26302000	26	20-33	CM200100001	60	34-36	HK034610060	10	71
29180403	66	14~ 16-26	CM300100001	58	16~18	HK034630000	50	24
			CM300100001	60	27-31	HK03464000B	38	11
29342102	66	14~ 16-26	CM300100101	58	16~18	HK054250040	62	55
			CM300100101	60	27-31	HM000860010	58	29
29342201	66	14~ 16-26	CM300100302	58	16~18	HN00149000A	60	35
			CM300200001	4	35	HN00149000A	64	24
29342300	66	14~ 16-26	CM300200001	8	13	HW200390000	50	27
29342409	66	27	CM3002000A1	8	14	HW5F18S1228	50	26

NUMERICAL INDEX OF PARTS

PART NO	PAGE	REF NO.	PART NO	PAGE	REF NO.	PART NO	PAGE	REF NO.
HX00188000D	60	38	M4008351000A	60	13	M85405900A0	58	28
HX002220000	60	39·40	M4009351000A	60	14	M8601388AA0	56	3
HX00222000A	58	21·22	M4010351000	60	15·16	M8601476AA0	58	1
HX00222000A	60	39·40	M4011351000	60	15·16	M8602476AA0	58	2~6
HX00222000B	58	21·22	M4012351000	60	17	M8602476BA0	58	2~6
HX00269000A	58	19	M4206461000	58	34	M8602476CA0	58	2~6
HX003390000	58	30	M4401476AA0	64	3~5	M8602476DA0	58	2~6
HX004070000	60	28	M4401476BA0	64	3~5	M8602476FA0	58	2~6
HX005100000	60	42	M4401476CA0	64	3~5	M8603476AA0	60	1
HX005110000	58	20	M6001471AA0	12	18	M8605471BA0	58	7
HX005110000	60	41	M6095350CAA	2	7~14	M9644110000	64	9
J106600000B	66	19·21	M6095350CAF	2	7~14	MAO11532000	64	21
KM000000350	16	18	M6096350CAF	2	7~14	MC192300750	14	43~45
M1001388000	56	16	M6096350CAL	2	7~14	MC192300752	66	22~24
M1001388AA0	56	12	M6098350CAA	2	7~14	MC2005F0700	14	43~45
M1003370000	56	8	M6098350CAF	2	7~14	MC2005F0702	66	22~24
M1003371000	56	7	M6099350CAF	2	7~14	MDFRX1600C0	66	25
M1004581000	62	54	M6099350CAL	2	7~14	MDP500B1000	14	43~45
M1005371000	56	9	M6101471AA0	64	2·22·23	MDP500B1002	66	22~24
M1008371000	56	5	M6101471BA0	64	2·22·23	MTSHJ100003	64	13
M1009388000	56	6	M6101471CA0	64	2·22·23	NM3040520SF	58	41
M1101388AA0	56	2	M6102461DAA	64	1	NM3040520SF	62	48
M2010110000	60	11	M6102471AA0	60	21·22·33	NM3050610SF	48	47
M2501388AAA	56	1	M6102471BA0	60	21·22·33	NM6030001SC	42	19
M3001476000	58	23	M6102476DA0	60	21·22·33	NM6040001SN	42	20
M3201476000	60	25	M68014710A0	12	19	NM6050001SE	54	17
M3201476AA0	60	23·24	M7002476A00	58	25·26	NM6060001SE	52	11
M3201476CA0	60	23·24	M7002476B00	58	25·26	NM6080001SC	58	36
M3202476000	60	26	M7003461000	58	27	NM6080002SC	64	14
M3401476000	58	15	M8002430000	46	34	NM6160511SE	54	18
M3401476AA0	58	12~14	M8501388AA0	56	4	NP210300000	32	33
M3401476BA0	58	12~14	M8501476AA0	58	8·9	NS6110310SP	10	55
M3401476CA0	58	12~14	M8501476BA0	58	8·9	NS6110310SP	50	38
M3601476000	62	57	M8502476AA0	58	10	NS6110350SP	6	93
M3801476000	58	24	M8511461AA0	58	11	NS6110350SP	38	14
M3806461AA0	60	32	M8520476AA0	2	15~18	NS6120310SP	24	48
M4001461000	60	7	M8520476BA0	2	15~18	NS6150310SP	22	31
M4001476AA0	60	2·3	M8521476AA0	2	15~18	NS6150310SP	26	18
M4001476BA0	60	2·3	M8521476BA0	2	15~18	NS6150310SP	32	37
M4002461000	60	8	M8522476AA0	42	18	NS6150310SP	52	17
M4004461000	60	9	M8522476BA0	44	15	NS6150430SP	32	38
M4005461000	60	10	M8523476AA0	16	19	NS6620310SP	18	29
M4006461000	60	5	M8524476AA0	8	6	NS6680410SP	24	49
M4006476AA0	60	4	M8525351AA0	64	7	PS0300122KH	26	7
M4007351000	60	12	M8526351AA0	64	8	PS0300182KF	42	23

NUMERICAL INDEX OF PARTS

PART NO	PAGE	REF NO.	PART NO	PAGE	REF NO.	PART NO	PAGE	REF NO.
PS0400222K0	14	57	SD0650321TP	50	30	SM8060812TP	30	16
PS0800202KH	6	95	SD0720331SP	52	20	SM8063012TR	52	10
RC0150001KP	22	25	SD0791503SP	32	45	SM9061203SE	52	31
RC0330415KP	36	14	SD0900701TP	24	53	SM9061853SR	52	22
RC0560711KP	10	41	SD0951501SP	38	16	SM9062053SR	52	7
RE0250000K0	32	39	SK3512001SE	64	20	SS1090510SP	32	30
RE0300000K0	24	50	SL4040691SC	58	40	SS1090930SP	12	26
RE0320000K0	50	6	SL4040881SC	12	23	SS1110821TP	26	28
RE0400000K0	6	90	SL4040881SF	60	44	SS1110840SP	4	42
RE0400000K0	32	40	SL4040891SC	58	37	SS1151310TP	16	30
RE0500000K0	10	42	SL4041081SC	62	53	SS2090710SP	8	17
RE0500000K0	18	30	SL4041081SF	58	39	SS2090710TP	4	43
RE0500000K0	24	51	SL4041091SC	58	43	SS2090810SP	8	18
RE0500000K0	32	41	SL4041091SC	62	52	SS2110920TP	34	47
RE0600000K0	18	31	SL4041091SE	60	46	SS2111010TP	34	48
RE0600000K0	32	43	SL4041281SF	62	56	SS3090520SP	50	13
RE1000000K0	52	19	SL4041681SF	60	45	SS4080610SP	24	54
RE1200000K0	38	8	SL4042091SC	60	30	SS4110515SP	42	13
RO036080200	28	22	SL4051091SC	8	26	SS4110515SP	44	12
RO037180100	14	63	SL4051291SC	58	38	SS4110615SP	46	32
RO037180100	20	32	SL6052092TN	46	45	SS4110715SP	14	50
RO037180100	46	6	SL6052592TN	6	92	SS4110815SP	46	30
RO048190100	28	23	SL6052592TN	12	24	SS4110915SP	4	68
RO068190100	28	35	SM1044050SM	58	42	SS4110915SP	6	68
RO080150200	4	37	SM4021201SC	10	73	SS4110915SP	14	49
RO092270200	10	43	SM4030501SN	10	49	SS4110915SP	28	24
RO098240100	4	38	SM4030601SN	50	32	SS4110915SP	34	49
RO098240100	46	27	SM4030655SP	16	22	SS4111415SP	46	33
RO137230100	6	94	SM4030801SC	56	10	SS4120615SP	4	47
RO172180100	28	36	SM4030801SF	60	18	SS4120615SP	8	21
RO195240100	4	39	SM4031851SR	62	49	SS4120615SP	46	44
RO195240100	46	28	SM4040601SC	32	46	SS4120615SP	50	40
SB108000400	12	35	SM4051255SP	16	23	SS4120915SP	10	74
SB120000800	12	21	SM4051405SE	54	12	SS4120915SP	24	55
SB120000900	12	22	SM4860801SN	16	24	SS4120915SP	70	10
SB310001000	30	12	SM6041002TP	16	25	SS4121015SP	4	49
SD0600271SP	50	39	SM6061610SC	54	6	SS4121015SP	8	23
SD0600291TP	32	44	SM6083002TN	58	31	SS4121015SP	42	24
SD0600321SP	24	52	SM6084002TN	64	17	SS4121215SP	16	31
SD0600321SP	38	15	SM8040612TP	16	26	SS4121215SP	56	18
SD0600341TP	20	33	SM8040802TP	60	19	SS4121615SP	46	31
SD0630275SP	20	34	SM8050612TP	16	27	SS4150915SP	4	50
SD0630301SP	20	35	SM8050612TP	36	15	SS4150915SP	24	57
SD0630371SP	20	36	SM8060812TP	12	31	SS4150915SP	34	50
SD0640751SP	4	40	SM8060812TP	26	23	SS4150915SP	38	17

NUMERICAL INDEX OF PARTS

PART NO	PAGE	REF NO.	PART NO	PAGE	REF NO.	PART NO	PAGE	REF NO.
SS5110710SP	24	58	SS8110510SP	28	25	WP1651616SD	26	29
SS6060210SP	8	24	SS8110510SP	70	19	WP1702600S0	54	19
SS6090420SP	4	51	SS8110520TP	24	71	WP1703001SC	38	10
SS6090520SP	10	44	SS8110750SP	6	89	WS0270002KN	32	34
SS6090540SP	6	69	SS8110750SP	30	14	WS0310002KR	50	33
SS6090620TP	10	57	SS8111251SP	10	59	WS0310702KS	62	50
SS6110820TP	36	13	SS8111251SP	28	37	WS0510002KN	54	16
SS6111040SP	50	36	SS8120740SP	14	58	WS0510002KP	4	61
SS6121030SN	10	58	SS8150510TP	20	39	WS0820002KR	58	32
SS6121610SP	26	17	SS8151230SP	14	64	WS0820002KR	64	18
SS6121840SP	26	24	SS8151230SP	40	8	WS1643202KR	54	20
SS6121860SP	26	27	SS8151720SP	20	40	WZ0641510KP	4	62
SS6580752TP	6	70	SS8660610TP	12	32			
SS6580752TP	24	59	SS8660612TP	14	68			
SS6660710TP	30	19	SS8660612TP	22	18			
SS6700710SH	4	52	SS8660810TP	24	64			
SS7060310SP	14	48	SS8660810TP	28	28			
SS7060310SP	32	32	SS8660810TP	30	15			
SS7080410SP	4	53	SS8680730SP	12	30			
SS7080520SP	14	47	SV4030601SR	60	20			
SS7090410SP	4	54	SV4031006SR	56	11			
SS7090610SP	32	51	SV4031605SR	56	17			
SS7090610SP	34	51	TA0750404R0	28	38			
SS7090910TP	14	46	TA0800504R0	4	56			
SS7090910TP	20	37	TA0850604R0	46	42			
SS7091410SP	10	45	TA1250406R0	4	58			
SS7110510SP	16	20	TA2050406R0	28	29			
SS7110540SP	4	55	WP0320501SC	50	35			
SS7110740TP	36	6	WP03305000E	6	71			
SS7110740TP	38	9	WP0371016SD	50	12			
SS7110740TP	42	11	WP0460556SD	46	43			
SS7110740TP	44	10	WP0480856SP	36	16			
SS7110910TP	24	61	WP0480856SP	50	41			
SS7111110TP	20	38	WP0482016SZ	16	28			
SS7121410TP	16	21	WP0482086SD	50	42			
SS7121410TP	22	63	WP0500916SD	36	17			
SS7121410TP	24	63	WP0501016SD	4	59			
SS7121410TP	26	26	WP0520656SA	16	10			
SS7121410TP	36	21	WP0550800SP	56	19			
SS7150740SP	16	32	WP0621016SH	34	52			
SS7150740SP	56	15	WP0650876SD	52	23			
SS7681650TP	12	29	WP0651056SD	4	60			
SS8090670SP	6	85	WP0841601SC	58	35			
SS8110410TP	70	17	WP0841601SC	64	19			
SS8110422TP	40	6	WP0852086SC	64	15			