

MODEL : DDL-8700 SERIES

List No : 1305-08

# PARTS LIST

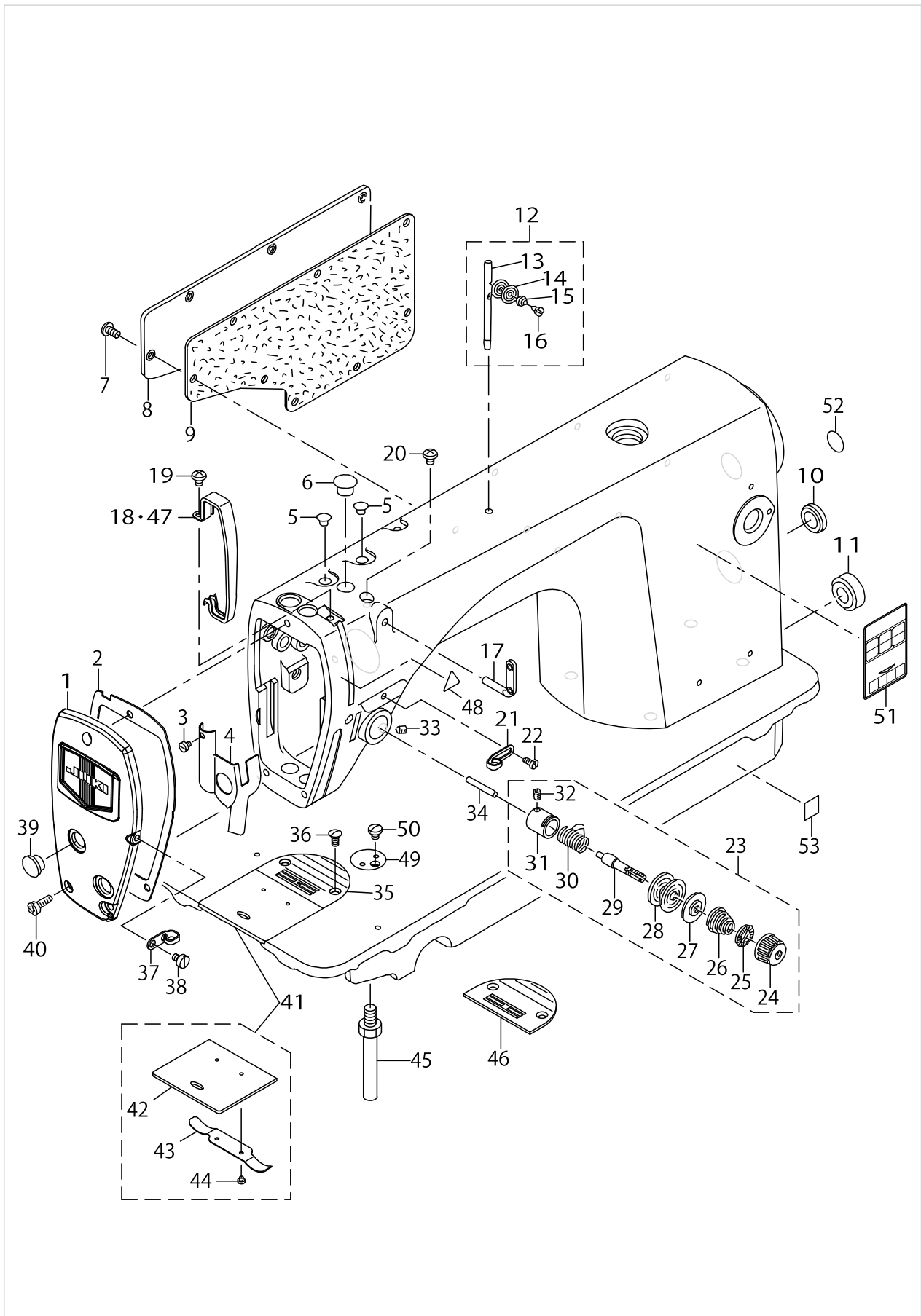
Published:05/12/2017

## CONTENTS

---

MACHINE FRAME & MISCELLANEOUS COVER COMPONENTS .....	1
MAIN SHAFT & THREAD TAKE-UP LEVER COMPONENTS .....	5
NEEDLE BAR, UPRIGHT SHAFT & HOOK DRIVING SHAFT COMPONENTS .....	7
HAND LIFTER COMPONENTS .....	9
FEED MECHANISM COMPONENTS.....	11
OIL LUBRICATION COMPONENTS .....	15
OIL RESERVOIR COMPONENTS .....	17
BELT COVER & BOBBIN COMPONENTS.....	19
THREAD STAND COMPONENTS.....	21
EXCLUSIVE PARTS FOR DDL-8700H.....	23
EXCLUSIVE PARTS FOR DDL-8700A.....	25
EXCLUSIVE PARTS FOR DDL-8700L .....	27
LIST FOR INFORMATION OF CHANGE (1).....	31
LIST FOR INFORMATION OF CHANGE (2).....	32
HOW TO MAKE USE OF THIS PARTS LIST .....	33

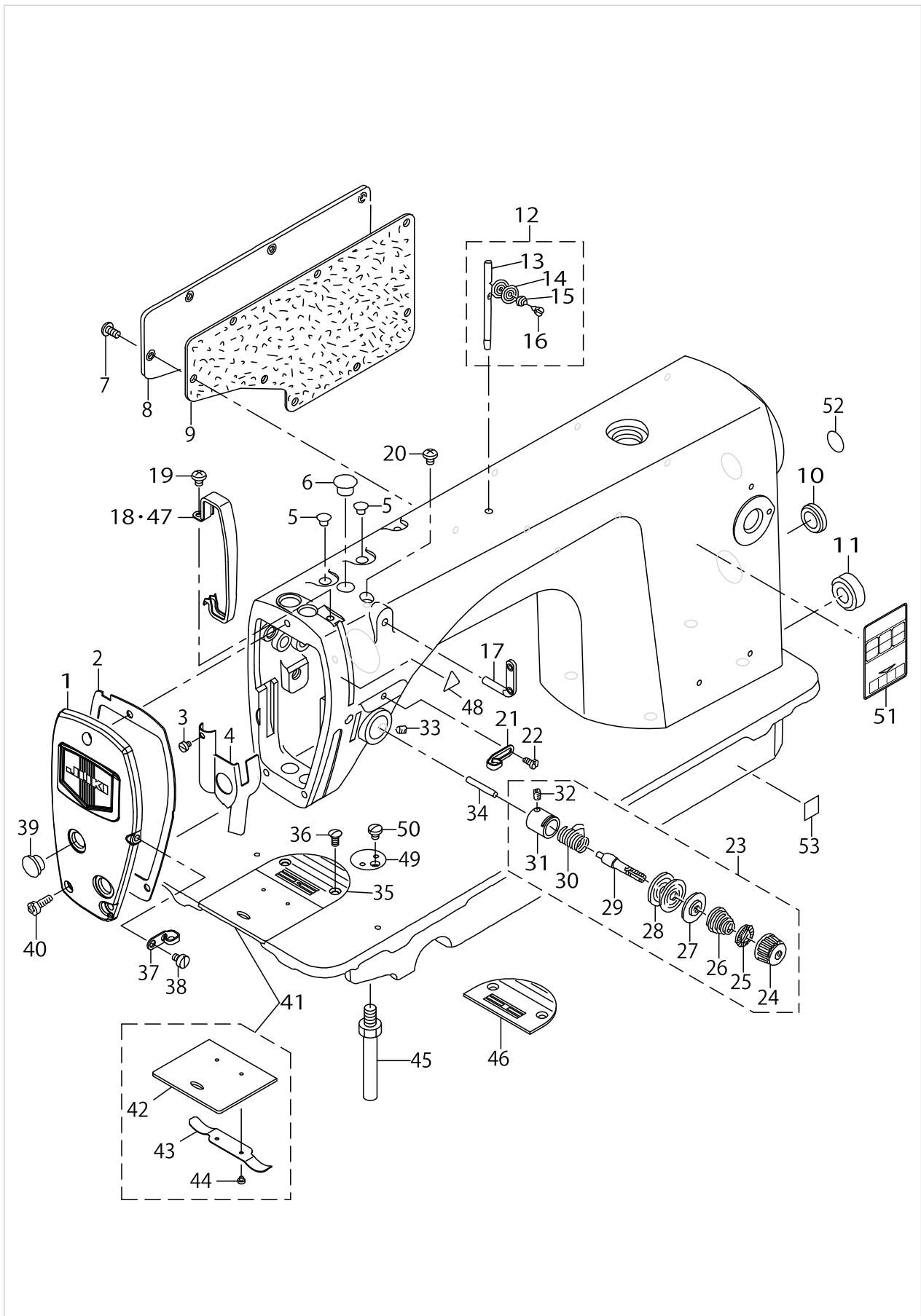
# MACHINE FRAME & MISCELLANEOUS COVER COMPONENTS



MACHINE FRAME & MISCELLANEOUS COVER COMPONENTS

No.	Supply Code	Parts No.	Replacement	Parts name	Remarks	Choice	Step	Level	Cons	Qty	Rep. QTY
1		40102097		FACE_PLATE_ASM.						1	
2		40012126		FACE PLATE PACKING						1	
3		SS6080410SP		SCREW 1/8-44 L=4						1	
4		22900757		FACE PLATE OIL SHIELD ASM.						1	
5		TA0850604R0		RUBBER PLUG						2	
6		TA1250705R0		RUBBER PLUG						1	
7		SS4120925SP		SCREW 3/16-28 L=9						8	
8		22900401		WINDOW PLATE						1	
9		40012129		SIDE PLATE PACKING						1	
10		TA2000502R0		RUBBER PLUG						1	
11		TA2101002R0		RUBBER PLUG						1	
12		22932552		NEEDLE THREAD GUIDE PIN ASM.						1	
13	R	22932503	22932552	THREAD GUIDE ROD				*		1	1.00
14	D	22932602		THREAD GUIDE DISK				*		2	
15	R	22932701	26021600	THREAD GUIDE DISK SPRING				*		1	1.00
16		SD0380552SL		HINGE SCREW D=3.8 H=5.5				*		1	
17		22920706		TWO EYELET						1	
18		22900609		THREAD TAKE-UP LEVER COVER						1	
19		SS4120615SP		SCREW 3/16-28 L=6						1	
20		SS4120615SP		SCREW 3/16-28 L=6						1	
21		22920508		ARMTHREADGUIDEA						1	
22		22921001		SCREW						1	
23		22945356		THREAD TENSION ASM.						1	
24		22921308		THREAD TENSION NUT				*		1	
25		22921407		ROTATION STOPPER				*		1	
26		22921704		THREAD TENSION SPRING A				*		1	
27		22921803		DISK STOPPER				*		1	
28		22921506		THREAD TENSION DISK				*		2	
29		22921209		THREAD TENSION POST				*		1	
30		22921605		THREAD TAKE-UP SPRING				*		1	
31		22945307		THREAD TENSION POST BASE				*		1	
32		SS8090670SP		SCREW 9/64-40 L=5.5				*		1	
33		SS8150710TP		SCREW 15/64-28 L=7						1	
34		22920904		PIN						1	
35		B1109552000		THROAT PLATE	EXCEPT JE					1	
36		SS2110920TP		SCREW 11/64-40 L=8.5						2	
37		22920607		ARMTHREADGUIDEB						1	
38		SS6110610TP		SCREW 11/64-40 L=6						1	
39		TA1250406R0		RUBBER PLUG D=12.5 L=4						2	
40		SS4120925SP		SCREW 3/16-28 L=9						3	
41		22901250		SLIDE PLATE ASM.						1	
42	R	22901201	22901250	SLIDE PLATE				*		1	1.00
43		22901300		SLIDE PLATE SPRING				*		1	
44		SS6060210SP		SCREW 3/32-56 L=1.9				*		2	
45		22901003		BED SCREW STUD						4	
46		11028008		THROAT PLATE	FOR JE					1	

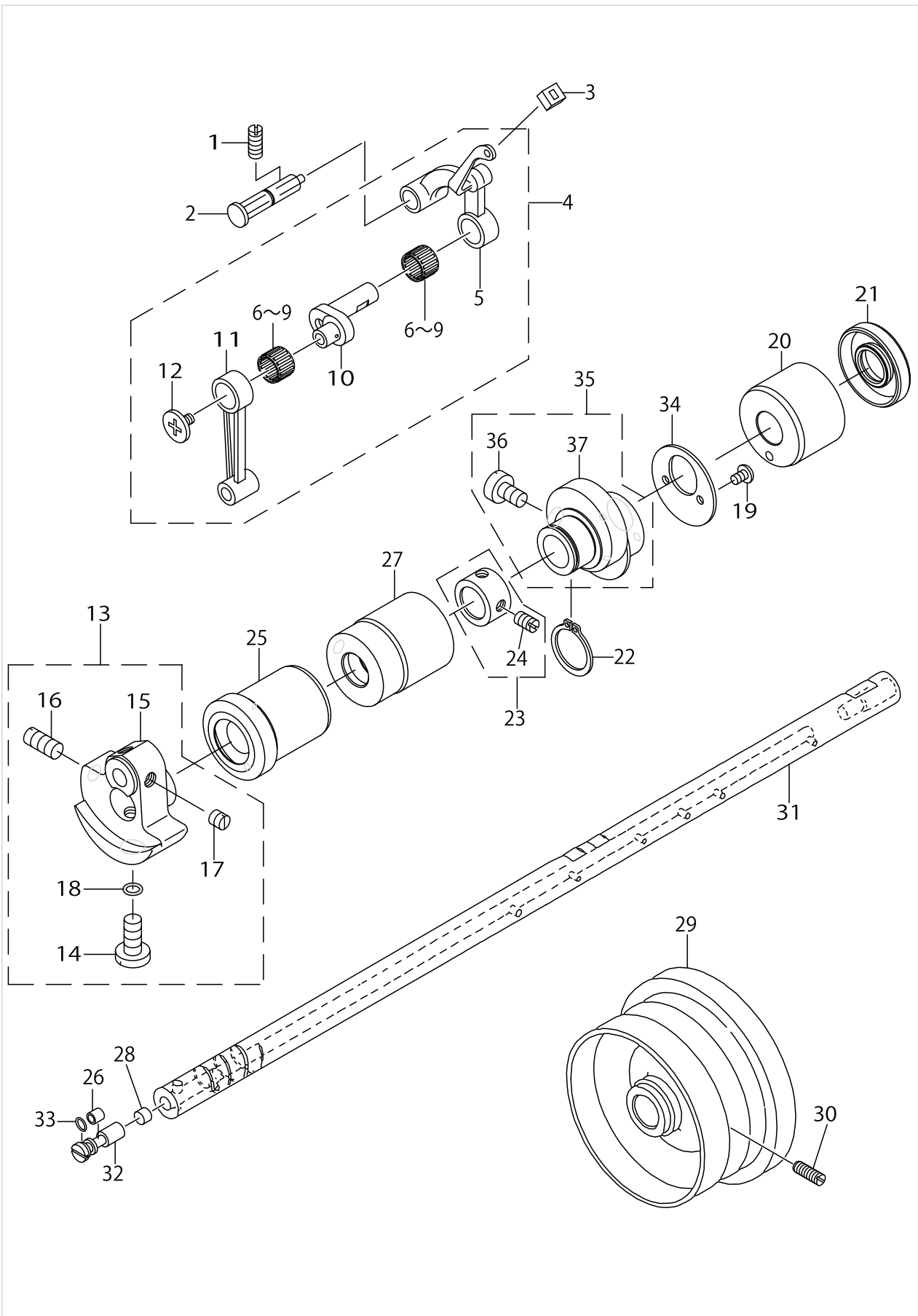
MACHINE FRAME & MISCELLANEOUS COVER COMPONENTS



MACHINE FRAME & MISCELLANEOUS COVER COMPONENTS

No.	Supply Code	Parts No.	Replacement	Parts name	Remarks	Choice	Step	Level	Cons	Qty	Rep. QTY
47		11415205		THREAD TAKE-UP LEVER COVER(JE)	FOR JE					1	
48		CM300200001		ATTENTION SEAL						1	
49		40099083		RULER STOP SEAT						1	
50		SS7110720SP		SCREW 11/64-40 L=7						1	
51		CM301200001		SAFETY LABEL_S						1	
52		22901805		GROUND MARK						1	
53		40116677		GOST_SAFTY_LABEL_S	FOR JE					1	

MAIN SHAFT & THREAD TAKE-UP LEVER COMPONENTS

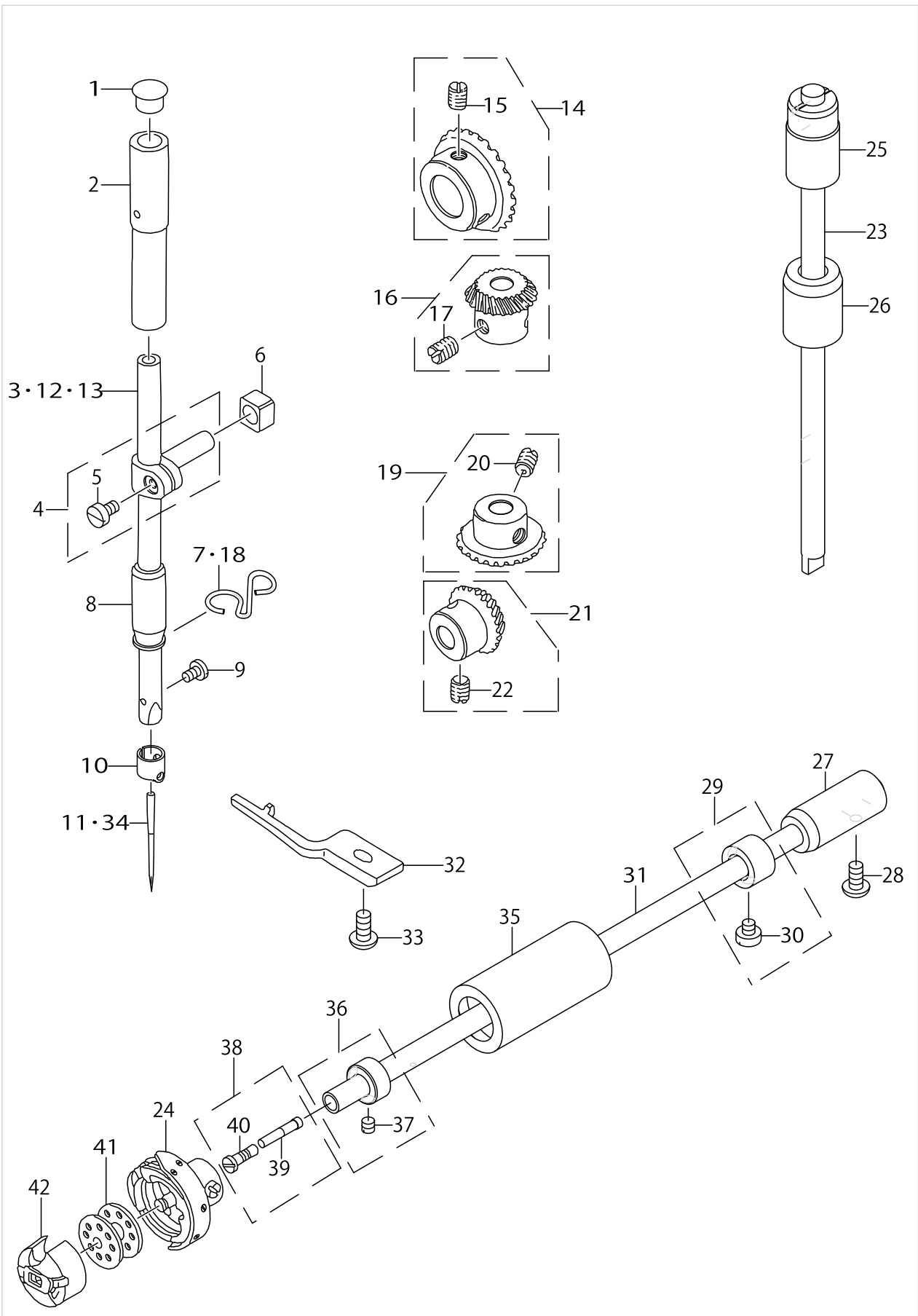


MAIN SHAFT & THREAD TAKE-UP LEVER COMPONENTS

No.	Supply Code	Parts No.	Replacement	Parts name	Remarks	Choice	Step	Level	Cons	Qty	Rep. QTY
1		SS8151150TP		SCREW 15/64-28 L=10.5						1	
2		22919559		THREAD TAKE-UP CRANK SHAFT ASM.						1	
3		22919203		OIL PROTECTING RUBBER						1	
4		22918072		THREAD TAKE-UP LEVER COMPL.						1	
5	R	22918064	22918072	THREAD TAKE-UP LEVER ASM.				*		1	1.00
6		22918403		NEEDLE BEARING A	SELECTIVE PARTS			*		2	
7		22918502		NEEDLE BEARING B	SELECTIVE PARTS			*		2	
8		22918601		NEEDLE BEARING C	SELECTIVE PARTS			*		2	
9		22918700		NEEDLE BEARING D	SELECTIVE PARTS			*		2	
10		22918106		NEEDLE BAR CRANK				*		1	
11		22906606		NEEDLE BAR CRANK ROD				*		1	
12	R	22918304	B1903552000	LEFT SCREW				*		1	1.00
13		40106606		COUNTER_WEIGHT_ASM.						1	
14		SS7681650TP		SCREW 9/32-28 L=16				*		1	
15		40106607		COUNTER_WEIGHT				*		1	
16		SS8681650TP		SCREW 9/32-28 L=16				*		1	
17		SS8660610TP		SCREW 1/4-40 L=6				*		2	
18		RO044240100		RUBBER RING				*		1	
19		SS4090615SP		SCREW 9/64-40 L=6						2	
20		11002409		MAIN SHAFT BUSHING REAR						1	
21		40105231		OIL SEAL						1	
22		RC1850001KP		SNAP RING 18.5						1	
23		22904155		MAIN SHAFT THRU-ST COLLAR ASM.						1	
24		SS8660610TP		SCREW 1/4-40 L=6				*		2	
25		22903207		MAIN SHAFT BUSHING FRONT						1	
26		B1215552000		OIL ADJUSTING COLLAR						1	
27		22903306		BUSHING INTERMEDIATE						1	
28		11002904		ROLLER FELT						1	
29	R	22927206	11071362	HAND WHEEL						1	1.00
30		SS8151550SP		SCREW 15/64-28 L=15						2	
31		22903009		MAIN SHAFT						1	
32		22903900		ADJUSTING PIN						1	
33		RO029180100		RUBBER RING						1	
34		22910103		THRUST COLLAR						1	
35		22910053		FEED DRIVE ECCENTRIC CAM ASM.						1	
36		SS6661110SP		SCREW 1/4-40 L=11				*		2	
37	R	22910004	22910053	FEED DRIVE ECCENTRIC CAM				*		1	1.00



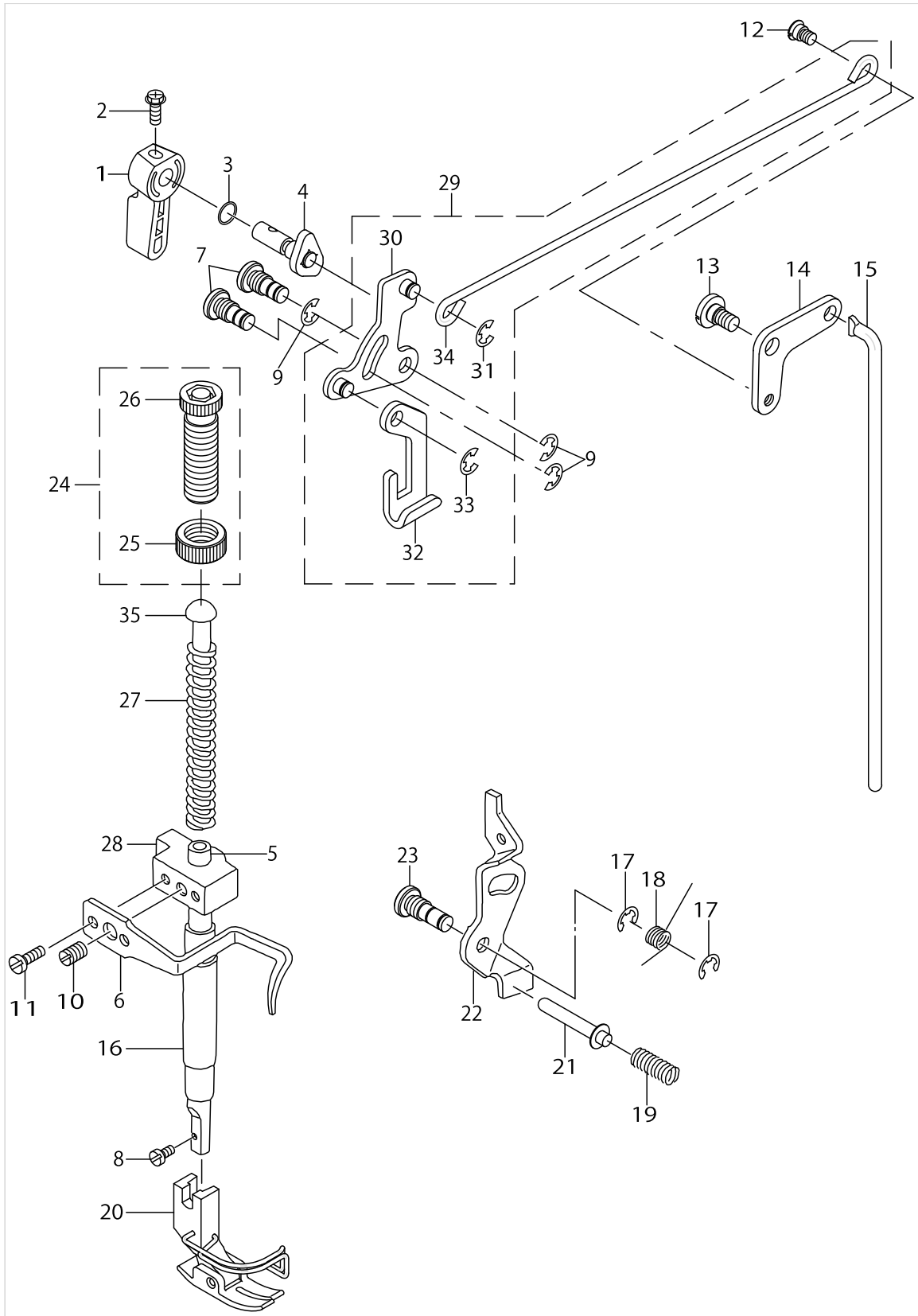
NEEDLE BAR, UPRIGHT SHAFT & HOOK DRIVING SHAFT COMPONENTS



NEEDLE BAR, UPRIGHT SHAFT & HOOK DRIVING SHAFT COMPONENTS

No.	Supply Code	Parts No.	Replacement	Parts name	Remarks	Choice	Step	Level	Cons	Qty	Rep. QTY
1		TA0850604R0		RUBBER PLUG						1	
2		22906101		NEEDLE BAR BUSHING UPPER						1	
3		22906002		NEEDLE BAR	FOR JA					1	
4		22906457		NEEDLE BAR HOLDER ASM.						1	
5		SS6090670TP		SCREW 9/64-40 L=6				*		1	
6		40090058		SLIDE BLOCK						1	
7		40012444		NEEDLE BAR THREAD GUIDE						1	
8		22906200		NEEDLE BAR BUSHING LOWER						1	
9		SS7080510TP		SCREW 1/8-44 L=4.5						1	
10		22906309		NEEDLE BAR THREAD GUIDE						1	
11		MDB100B1400		NEEDLE DBX1 #14						1	
12		22906705		NEEDLE BAR B	FOR JE					1	
13		40010007		NEEDLE BAR	FOR ST,SH					1	
14		B13050120A0		GEAR ASM.						1	
15		SS8660810TP		SCREW 1/4-40 L=8				*		2	
16		B13061550A0		PINION ASM.						1	
17		SS8660810TP		SCREW 1/4-40 L=8				*		2	
18		40012444		NEEDLE BAR THREAD GUIDE	FOR SH					1	
19		B13071550A0		GEAR ASM. LARGE						1	
20		SS8660810TP		SCREW 1/4-40 L=8				*		2	
21		B13081550A0		PINION ASM.						1	
22		SS8660810TP		SCREW 1/4-40 L=8				*		2	
23		22905004		UPRIGHT SHAFT						1	
24		B18301270A0		HOOK ASM.						1	
25		22905103		UPRIGHT SHAFT BUSHING UPPER						1	
26		22905202		UPRIGHT SHAFT BUSHING LOWER						1	
27		22916308		HOOK DRIVING SH- AFT BUSH REAR						1	
28		SS4120925SP		SCREW 3/16-28 L=9						1	
29		22917157		THRUST COLLAR ASM. REAR						1	
30		SS6110420TP		SCREW 11/64-40 L=4.8				*		2	
31		22916001		HOOK DRIVING SHAFT						1	
32		22916407		BOBBIN CASE POSI- TIONING FINGER						1	
33		SS4110915TP		SCREW 11/64-40 L=9						1	
34		MC200500900		NEEDLE 134 90	FOR JE					1	
35		22916100		HOOK DRIVING SH- AFT BUSH FRONT						1	
36		22917058		THRUST COLLAR ASM. FRONT						1	
37		SS8110410TP		SCREW 11/64-40 L=3.5				*		2	
38		22916555		OILSEALSCREWASM.						1	
39		11015906		OIL WICK				*		1	
40		22916506		SET SCREW				*		1	
41		22932909		BOBBIN						1	
42		B18370120A0		BOBBIN CASE ASM.						1	

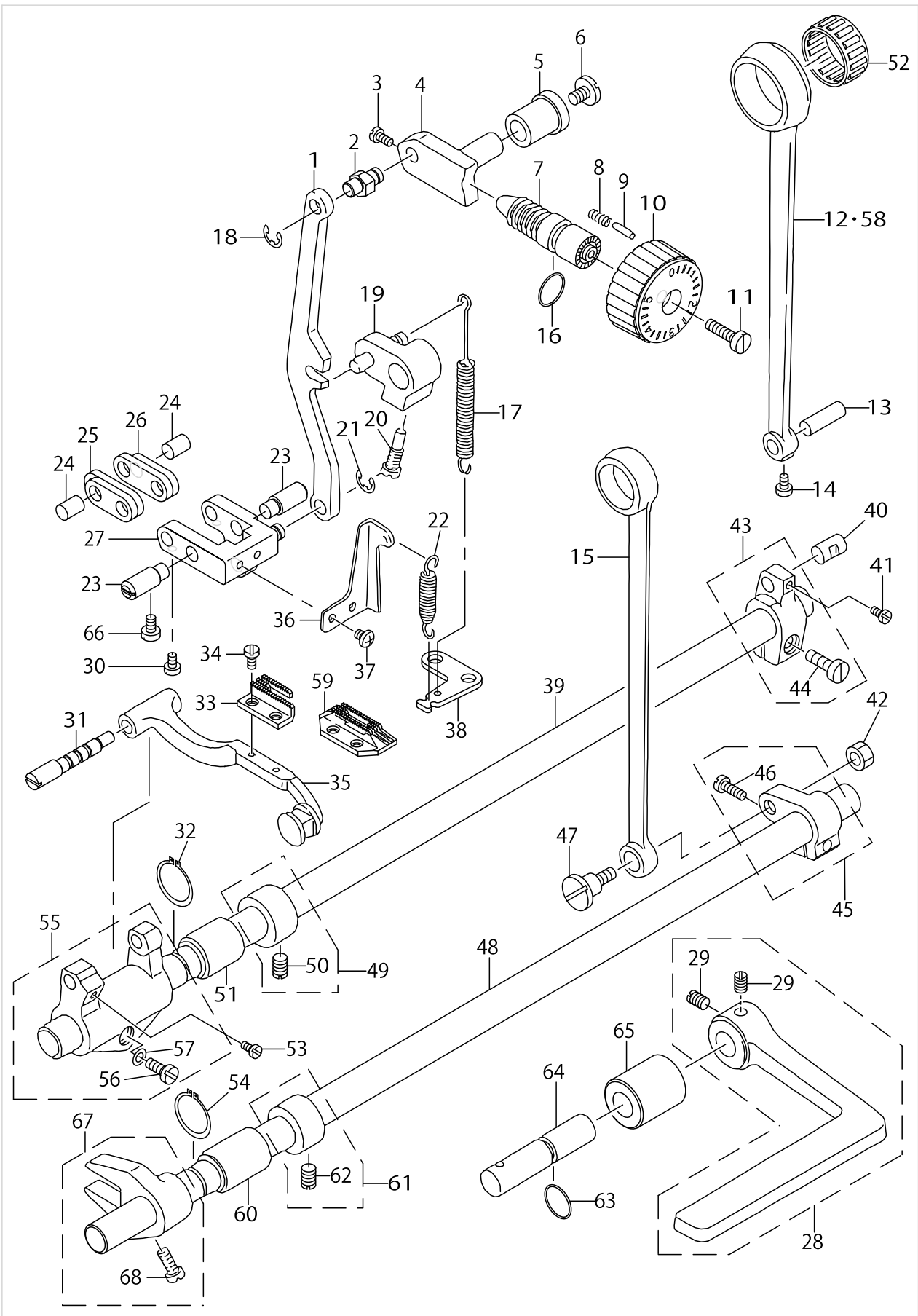
# HAND LIFTER COMPONENTS



HAND LIFTER COMPONENTS

No.	Supply Code	Parts No.	Replacement	Parts name	Remarks	Choice	Step	Level	Cons	Qty	Rep. QTY
1		22907802		HAND LIFTER						1	
2		B1521555000		SCREW						1	
3		RO037180100		RUBBER RING						1	
4		22908552		HAND LIFTER CAM ASM.						1	
5		40017805		PRESSER BAR						1	
6		22907307		THREAD GUIDE						1	
7		22908701		LINK SHAFT						1	
8		SS7091110TP		SCREW 9/64-40 L=10.5						1	
9		RE0500000K0		E-RING						3	
10		SS8660810TP		SCREW 1/4-40 L=8						1	
11		SS6090910SP		SCREW 9/64-40 L=9						2	
12		22908909		HINGE SCREW						1	
13		SD0720331SP		HINGE SCREW D=7.24 H=3.3						1	
14		22908800		KNEE LIFTER LINK						1	
15		22909006		KNEE LIFTER CONNECTING ROD						1	
16		40060989		PRESSER BAR BUSHING LOWER						1	
17		RE0500000K0		E-RING						2	
18		22920201		RETURN SPRING						1	
19		22920409		THREAD RELEASE PIN SPRING						1	
20		B15240120BA		PRESSER FOOT ASM.						1	
21		22920300		THREAD RELEASE SUPPORTING PIN						1	
22		22920003		THREAD RELEASE PLATE						1	
23		22920102		TENSION RELEASE SHAFT						1	
24		22907554		PRESSER SPRING REG NUT ASM.						1	
25	R	22907604	22907554	PRESSER SPRING REGULATOR NUT				*		1	1.00
26	R	22907505	22907554	PRESSER SPRING REGULATOR				*		1	1.00
27		22907406		PRESSER SPRING						1	
28		22907208		PRESSER BAR GUIDE BRACKET						1	
29		22908354		KNEE LIFTING CROSS ROD ASM.						1	
30	R	22908156	22908354	LIFTING LINK ASM.				*		1	1.00
31		RE0500000K0		E-RING				*		1	
32	R	22908008	22908354	LIFTING PLATE		A	DDL-5550 5550N 555- 0N-7 5556- N-7 5600NL-7	*		1	1.00
32	R	22908008	23609357	LIFTING PLATE		B	DDL-9000A 9000B	*		1	1.00
32	R	22908008	40057398	LIFTING PLATE		C	LH-3500	*		1	1.00
32	R	22908008	40174387	LIFTING PLATE		D	DDL-9000C	*		1	1.00
33		RE0500000K0		E-RING				*		1	
34		22908305		KNEE LIFTING CROSS ROD				*		1	
35		22907703		PRESSER GUIDE BAR						1	

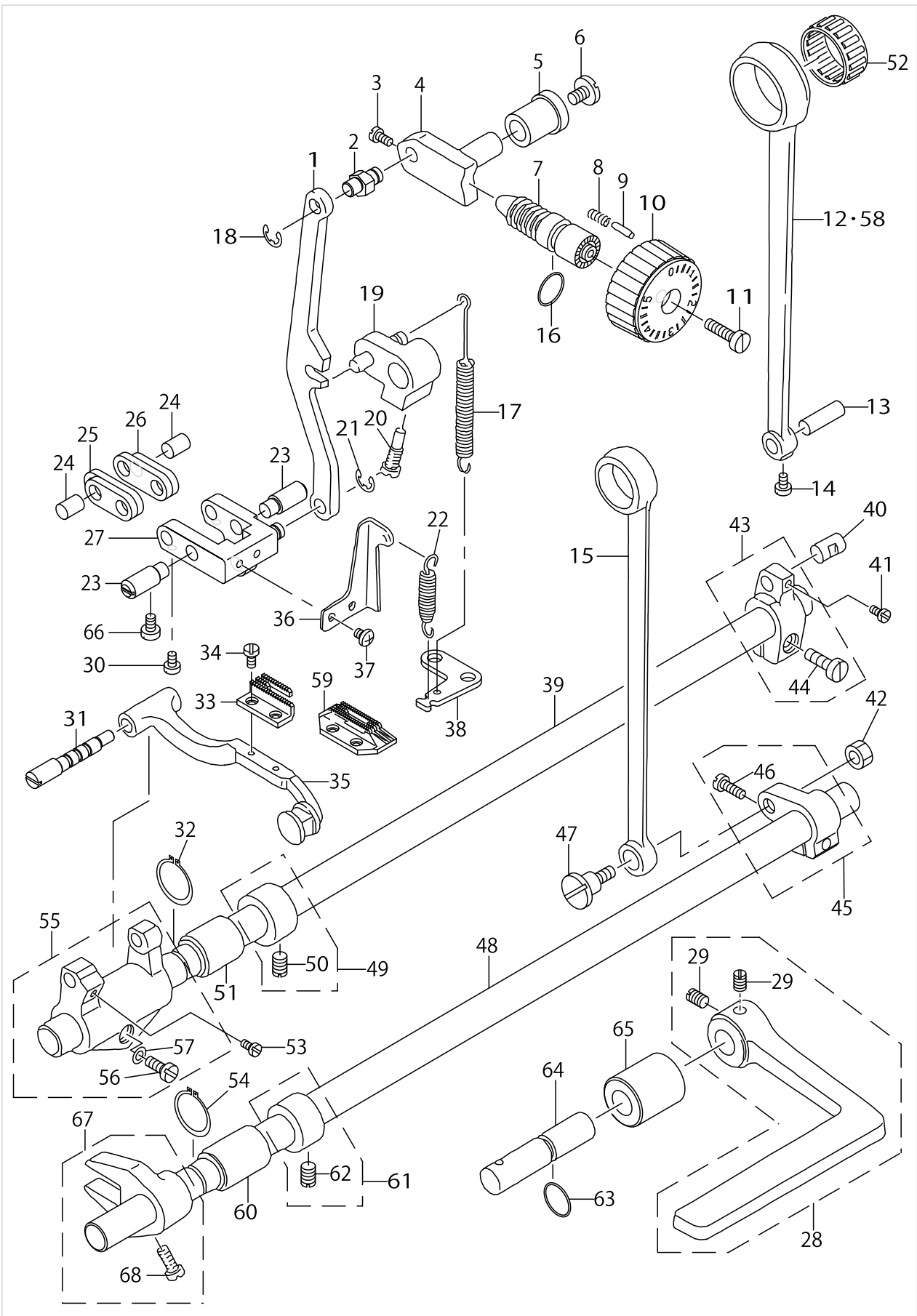
FEED MECHANISM COMPONENTS



FEED MECHANISM COMPONENTS

No.	Supply Code	Parts No.	Replacement	Parts name	Remarks	Choice	Step	Level	Cons	Qty	Rep. QTY
1		22911408		FEED REGULATOR CONNCTING ROD						1	
2		22911507		WALKING FOOT PIN C						1	
3		SS6090670TP		SCREW 9/64-40 L=6						2	
4		22911606		FEED REGULATOR						1	
5		22911705		FEED REGULATOR BUSHING						1	
6		SS7120770SH		SCREW 3/16-28 L=7						1	
7		22911804		FEED REGULATOR SCREW						1	
8		22912109		FEED REGULATOR PIN SPRING						1	
9		22912000		FEED REGULATOR PIN						1	
10		40101726		FEED_DIAL						1	
11		SS6121860SP		SCREW 3/16-28 L=18						1	
12	R	22910202	22910251	ROCKER SHAFT CO- NNECTING ROD						1	1.00
13		22911101		WALKING FOOT PIN C						1	
14		SS6090620TP		SCREW						1	
15		22915003		CONNECTING ROD						1	
16		RO092270200		RUBBER RING						1	
17		11010311		FEED LEVER SPRING						1	
18		RE0500000K0		E-RING						1	
19		22912257		FEED REVERSE ARM ASM.						1	
20		22912505		FEED REVERSE ARM SCREW						1	
21		RE0500000K0		E-RING						1	
22		22911309		ADJUSTING LINK SPRING						1	
23		22910806		ADJUST LINK FULCRUM SHAFT A						2	
24		22910905		WALKING FOOT PIN A						2	
25		40089548		CONNECTING LINK B						2	
26		40093417		CONNECTING LINK A						2	
27		22910459		FEED ADJUSTING LINK ASM.						1	
28		40102264		FEED_REVER_ASM.						1	
29		SM8061010TP		SCREW					*	2	
30		SS6090620TP		SCREW						2	
31		40101462		FEED BASE SHAFT						1	
32		RC0150001KP		RETAINING RING 13.8						1	
33		B1613012A00		FEED DOG A	FOR JE					1	
34		SS4080620TP		SCREW 1/8-44 L=6						2	
35		22971857		FEED BASE ASM.						1	
36		22941306		REGULATOR LINK SPRING HOOK						1	
37		SS4110515SP		SCREW 11/64-40 L=5						2	
38		22913701		FEED SPRING HOOK						1	
39		22912901		FEED ROCKERSHAFT						1	
40		22911002		WALKING FOOT PIN B						1	
41		SS6090620TP		SCREW						1	
42		NS6680410SP		NUT 9/32-28						1	
43		40110379		ASSY_FEED_ROCKER_ARM						1	
44		SS6121610SP		SCREW 3/16-28 L=15.5					*	1	
45		40109422		FEED_ARM_ASM						1	

FEED MECHANISM COMPONENTS

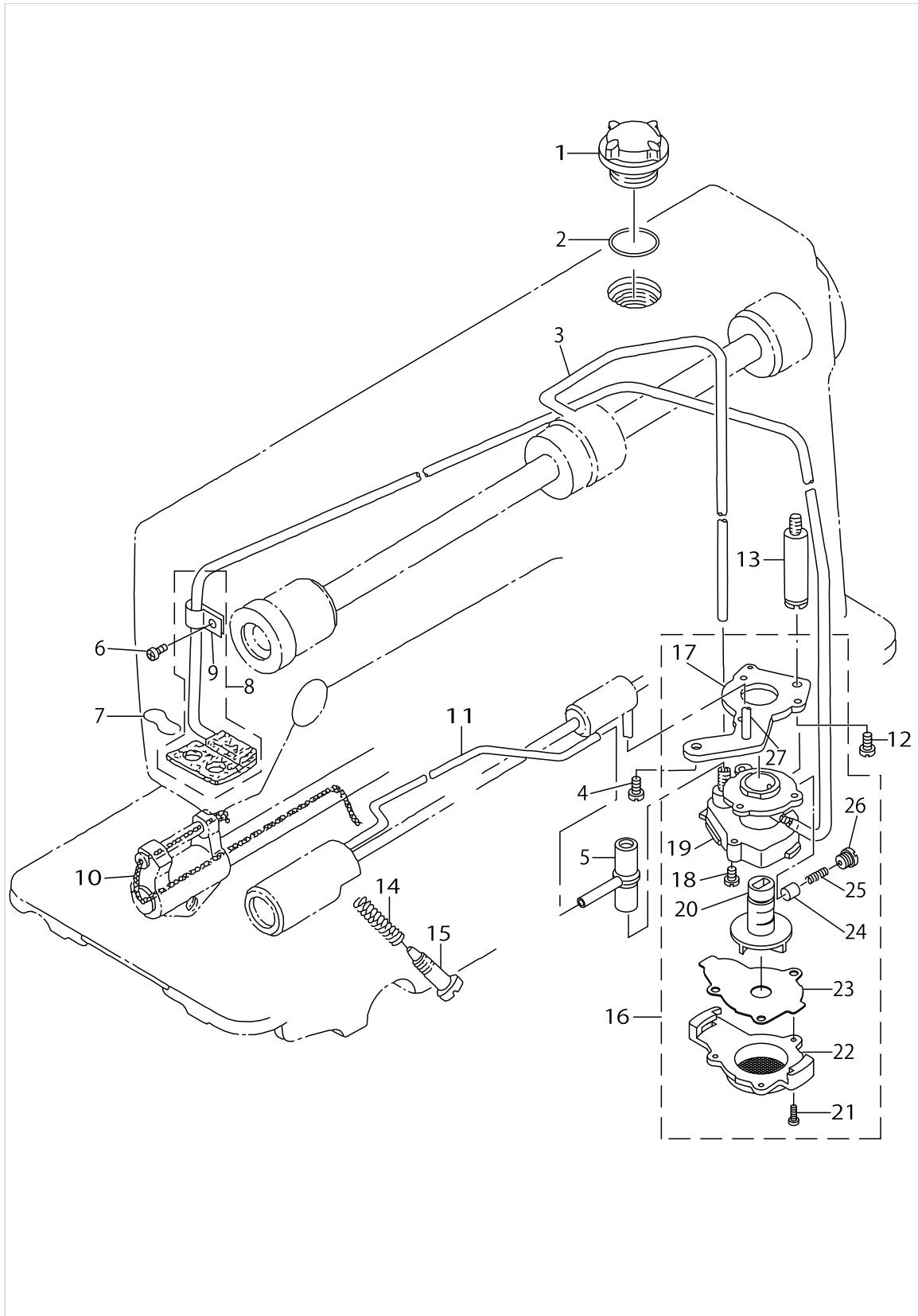


FEED MECHANISM COMPONENTS

No.	Supply Code	Parts No.	Replacement	Parts name	Remarks	Choice	Step	Level	Cons	Qty	Rep. QTY
46		SS7121610SP		SCREW 3/16-28 L=15.5				*		1	
47		SD1000801SH		HINGE SCREW D=10 H=8						1	
48		22915201		FEED DRIVING SHAFT						1	
49		22904155		MAIN SHAFT THRU-ST COLLAR ASM.						1	
50		SS8660610TP		SCREW 1/4-40 L=6				*		2	
51		22913008		FEED ROCKER SHAFT BUSHING						1	
52		22914105		BEARING C	SELECTIVE PARTS (FOR JE,JA)					1	
53		SS7110740TP		SCREW 11/64-40 L=7						1	
54		RC0150001KP		RETAINING RING 13.8						1	
55		22940654		FEED ROCKER ASM.						1	
56		SS7121410TP		SCREW 3/16-28 L=14				*		1	
57		WP0480856SP		WASHER 4.8X8.4X0.8				*		1	
58	R	22913800	22913859	ROCKER SHAFT CONNECTING ROD B	FOR JE,JA					1	1.00
59		B1613012I00		FEED DOG I	FOR JA,ST					1	
60		22913008		FEED ROCKER SHAFT BUSHING						1	
61		22904155		MAIN SHAFT THRU-ST COLLAR ASM.						1	
62		SS8660610TP		SCREW 1/4-40 L=6				*		1	
63		RO078190100		RUBBER RING						1	
64		40100812		FEED LEVER SHAFT						1	
65		22912802		FEED LEVER SHAFT BUSHING						1	
66		SS6151220SP		SCREW 15/64-28 L=11.5						2	
67		22915359		DRIVING SHAFT CRANK ASM.						1	
68	R	SS7111120SP	SS7111120TP	SCREW 11/64-40 L=10.5				*		1	1.00



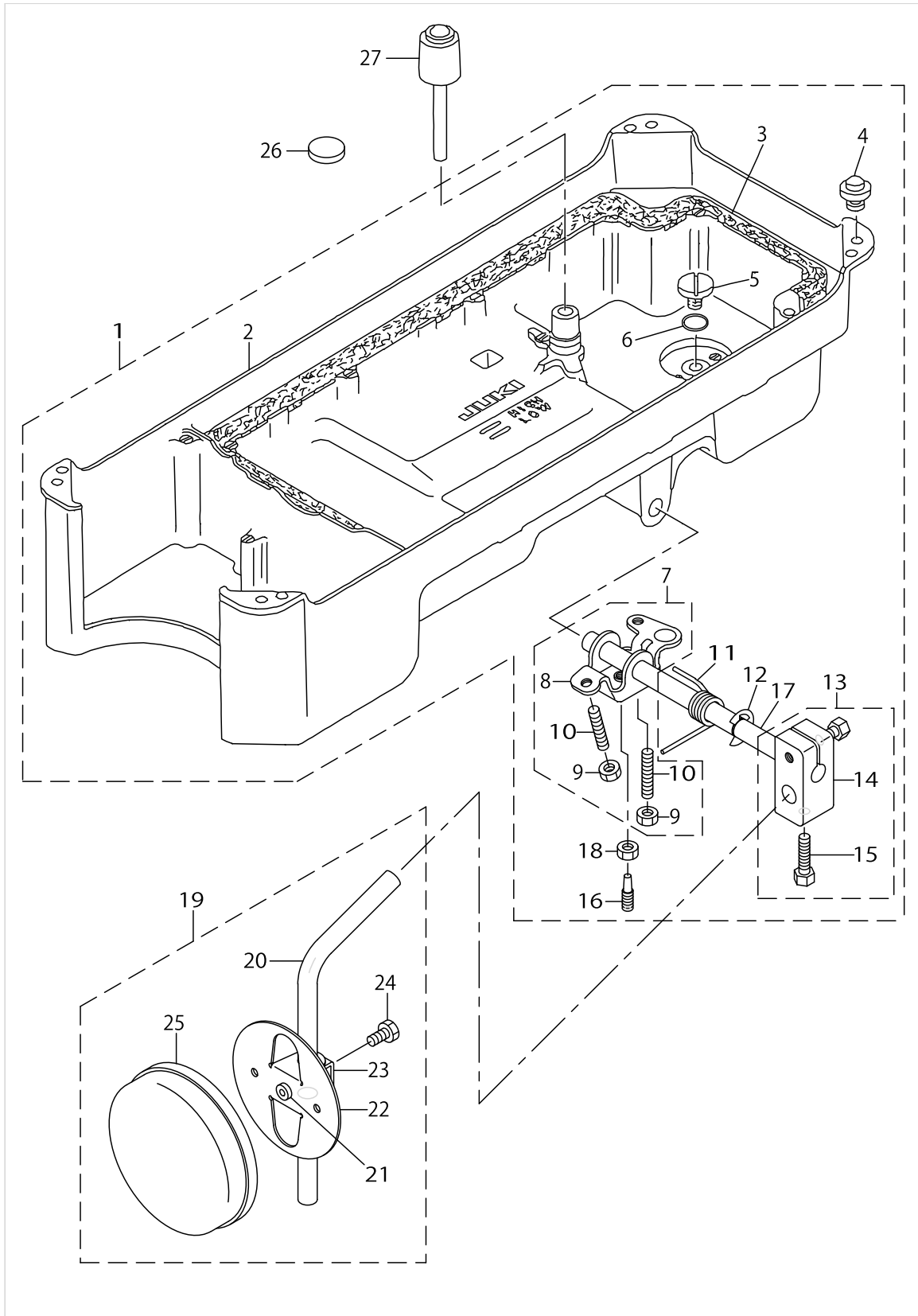
OIL LUBRICATION COMPONENTS



OIL LUBRICATION COMPONENTS

No.	Supply Code	Parts No.	Replacement	Parts name	Remarks	Choice	Step	Level	Cons	Qty	Rep. QTY
1		22924708		OIL SIGHT WINDOW						1	
2		RO195240100		RUBBER RING						1	
3		22924401		MAINSHAFTOILTUBE						1	
4		SS4150915SP		SCREW 15/64-28 L=9						1	
5		22924609		RUBBER JOINT						1	
6		SS4120615SP		SCREW 3/16-28 L=6						1	
7		22925101		OIL FELT PRESSER						1	
8		22924153		RETURN PIPE ASM.						1	
9		22924302		RETURN PIPE HOLDER				*		1	
10		CQ252000000		OIL WICK						.3	
11		22924500		HOOK OIL TUBE						1	
12		SS6111010TP		SCREW 11/64-40 L=9.5						1	
13		22924005		PUMP BODY STRUT						1	
14		22924906		OIL REGULATOR SCREW SPRING						1	
15		22925002		OIL REGULATOR SCREW						1	
16		22923056		OIL PUMP ASM.						1	
17	R	22923312	11392057	PUMP BODY INSTALLING PLATE		A	DLD5430	*		1	1.00
17	R	22923312	11404555	PUMP BODY INSTALLING PLATE		B	DDL5600/- 8100e, DU1181	*		1	1.00
17	R	22923312	22923056	PUMP BODY INSTALLING PLATE		C	DDL8700/- 8300/8500- /900A, DM- N5420/5400	*		1	1.00
18		SL4030851SF		SCREW M3 L=8				*		3	
19	R	22923015	22923056	PUMP BODY				*		1	1.00
20		22923700		IMPELLER				*		1	
21		SE4301041SR		SCREW D=3 L=10				*		3	
22		22923205		PUMP BODY COVER				*		1	
23		22923809		PUMP BODY SUPPORT PLATE				*		1	
24		22923403		PLUNGER				*		1	
25		22923601		PLUNGER SPRING				*		1	
26		22923502		PLUNGER SCREW				*		1	
27		22923908		HOOK DRIVING SH- AFT OILING PIPE				*		1	

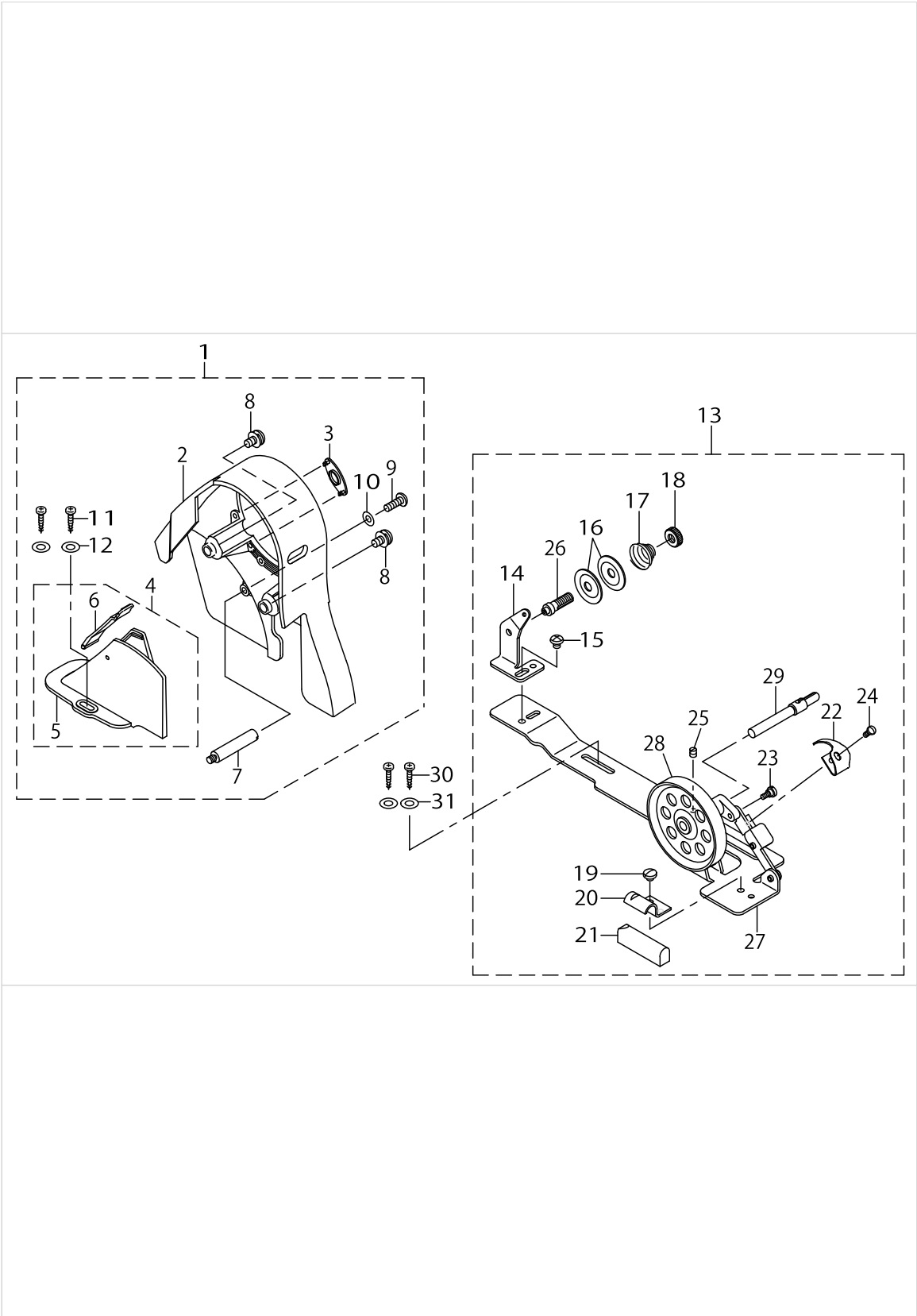
# OIL RESERVOIR COMPONENTS



OIL RESERVOIR COMPONENTS

No.	Supply Code	Parts No.	Replacement	Parts name	Remarks	Choice	Step	Level	Cons	Qty	Rep. QTY
1	R	22931851	40102085	OIL RESERVOIR ASM.						1	1.00
2	R	22931802	40102085	OIL RESERVOIR				*		1	1.00
3	R	22931901	11024700	OIL RESERVOIR GASKET				*		1	1.00
4	R	22932008	11047107	RUBBER CUSHION				*		4	1.00
5		SS6700710SH		SCREW 5/16-24 L=7				*		1	
6		RO098240100		RUBBER RING				*		1	
7		22932156		KNEE LIFTER ROTATION ARM ASM.				*		1	
8	R	22932107	22932156	KNEE LIFTING ROTATING ARM				*		1	1.00
9		NM6060001SE		NUT M6				*		2	
10		SM8063012TR		SCREW M6 L=30				*		2	
11		22932206		SPRING				*		1	
12		RE1000000K0		E-RING 10				*		1	
13		22932453		BRACKET ASM.				*		1	
14	R	22932404	22932453	VERTICAL SHAFT FITTING ARM				*		1	1.00
15		22934707		SCREW				*		2	
16		40101720		SCREW_M6				*		1	
17		22932305		KNEE PRESS CROSS SHAFT				*		1	
18		NM6060001SE		NUT M6				*		1	
19		22934251		KNEE PAD PLATE ASM.				*		1	
20		22934608		KNEE PAD UPRIGHT SHAFT				*		1	
21		22934400		KNEE PAD PLATE RUBBER				*		1	
22		22934202		KNEE PAD PLATE				*		1	
23		22934301		KNEE PAD PLATE SUPPORT				*		1	
24		SM9061203SE		SCREW M6 L=12				*		1	
25		22934509		KNEE PAD PLATE COVER				*		1	
26		B8228125000		OIL RESERVOIR MAGNET				*		1	
27		22931703		KNEE LIFTER PUSH ROD				*		1	

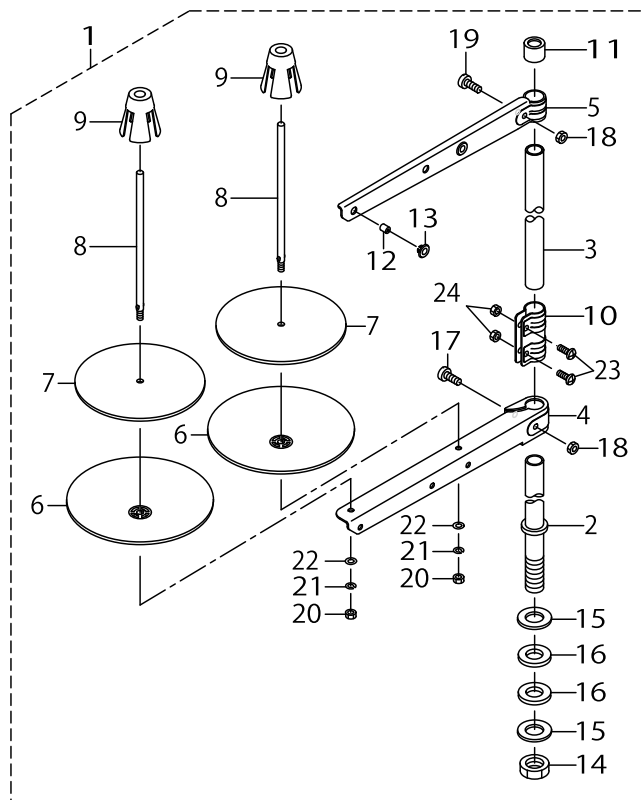
BELT COVER & BOBBIN COMPONENTS



BELT COVER & BOBBIN COMPONENTS

No.	Supply Code	Parts No.	Replacement	Parts name	Remarks	Choice	Step	Level	Cons	Qty	Rep. QTY
1		22933451		BELT COVER ASM.						1	
2	R	22933402	22933451	BELT COVER A				*		1	1.00
3		22933501		BELT COVER A CAP				*		1	
4		22933659		BELT COVER B COMPL.				*		1	
5		22933600		BELT COVER B				*		1	
6	R	22933758	22933659	BELT COVER B LID ASM.				*		1	1.00
7		22933907		BELT COVER STRUT				*		1	
8	R	22934004	11025202	SET SCREW				*		2	1.00
9		SS4121415SP		SCREW 3/16-28 L=14				*		1	
10		WP0501016SD		WASHER 5X10.5X1				*		1	
11	R	SK3412000SC	SK3412000SE	WOOD SCREW D=4.1 L=20				*		2	1.00
12		WP0450826SC		WASHER 4.5X10X0.8				*		2	
13		22927354		BOBBIN WINDER COMPL.						1	
14	R	22928501	11078250	THREAD TENSION POST BASE				*		1	1.00
15		SS4110515SP		SCREW 11/64-40 L=5				*		1	
16	R	22928907	22921506	THREAD TENSION DISK				*		2	1.00
17		22929004		THREAD TENSION SPRING				*		1	
18		22928808		NUT				*		1	
19		SS7110350SP		SCREW 11/64-40 L=3.5				*		1	
20	D	22928402		CONTROL RUBBER HOLDING PLATE				*		1	
21		22928303		CONTROL RUBBER				*		1	
22		22928105		BOBBIN PRESSER				*		1	
23		SD0490261SP		HINGE SCREW D=4.9 H=2.6				*		1	
24		SS7081310SP		SCREW 1/8-44 L=12.5				*		1	
25	R	SS8110510SP	SS8110520TP	SCREW 11/64-40 L=5				*		1	1.00
26	R	22928709	11078250	THREAD TENSION POST				*		1	1.00
27	R	22927305	22927354	BOBBIN WINDER BASE				*		1	1.00
28		22927404		BOBBIN WINDER				*		1	
29		22927602		BOBBIN WINDER SPINDLE				*		1	
30	R	SK3412000SC	SK3412000SE	WOOD SCREW D=4.1 L=20						2	1.00
31		WP0450826SC		WASHER 4.5X10X0.8						2	

# THREAD STAND COMPONENTS

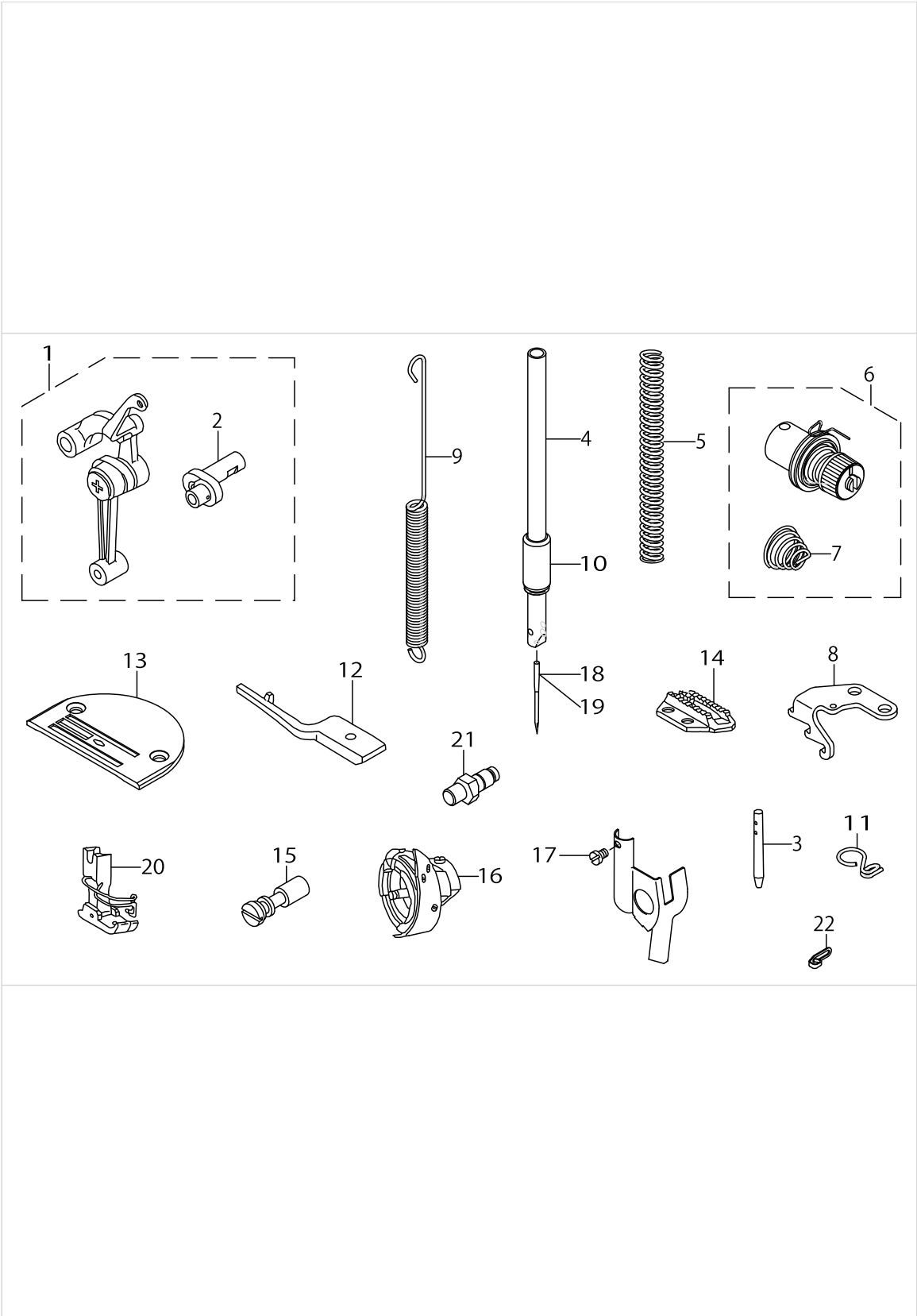


THREAD STAND COMPONENTS

No.	Supply Code	Parts No.	Replacement	Parts name	Remarks	Choice	Step	Level	Cons	Qty	Rep. QTY
1		40096354		THREAD STAND ASM.						1	
2		40085784		SPOOL REST ROD LOWER				*		1	
3		40085785		SPOOL REST ROD UPPER				*		1	
4		40085786		SPOOL REST ARM LOWER				*		1	
5		40085787		SPOOL REST ARM UPPER				*		1	
6		40085788		SPOOL REST				*		2	
7		40085789		SPOOL REST CUSHION				*		2	
8		40085790		SPOOL PIN				*		2	
9		40085791		SPOOL RETAINER				*		2	
10		40085792		SPOOL REST ROD JOINT				*		1	
11		40085793		SPOOL REST ROD RUBBER CAP				*		1	
12		40085794		THREAD GUIDE				*		2	
13		40085795		THREAD GUIDE BUSHING				*		2	
14		40096325		SPOOL REST ROD NUT				*		1	
15		WP1612616SE		WASHER 16X30X2.6				*		2	
16		40085796		SPOOL REST ROD RUBBER CUSHION				*		2	
17		40096326		SPOOL REST ARM LOWER SCREW				*		1	
18		NM6050001SE		NUT M5				*		2	
19	R	40096327	SM4053001SE	SPOOL REST ARM UPPER SCREW				*		1	1.00
20		NM6050001SE		NUT M5				*		2	
21		WS0510002KN		SPRING WASHER M5				*		2	
22		WP0531001SC		WASHER M5				*		2	
23		SM4051405SE		SCREW M5 L=14				*		2	
24		NM6050001SE		NUT M5				*		2	



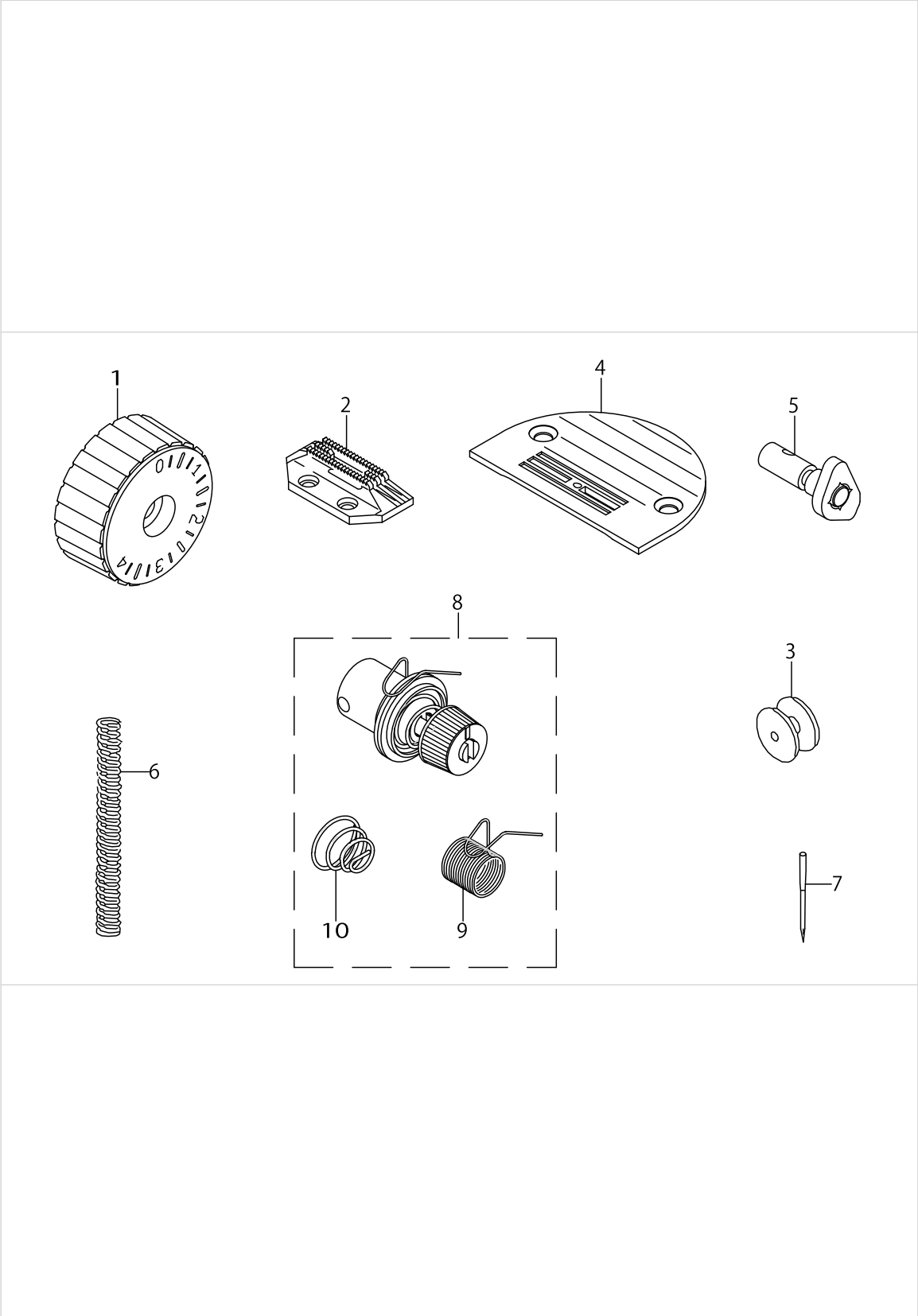
EXCLUSIVE PARTS FOR DDL-8700H



EXCLUSIVE PARTS FOR DDL-8700H

No.	Supply Code	Parts No.	Replacement	Parts name	Remarks	Choice	Step	Level	Cons	Qty	Rep. QTY
1		40103560		LINK_THREAD_TAKE- -UP_LENER-H_ASM.						1	
2		40109126		NEEDLE_BAR_CRANK_H				*		1	
3	R	B1114012000	22958300	THREAD GUIDE PIN						1	1.00
4		22970206		NEEDLE BAR						1	
5		B1505552000A		PRESSER SPRING						1	
6		22962054		THREAD TENSION ASM.						1	
7	R	22962005	B3114232000	THREAD TENSION SPRING				*		1	1.00
8		22970602		FEED SPRING HOOK						1	
9		40080725		ADJUSTING LINK SPRING						1	
10		22970313		NEEDLE BAR BUSHING LOWER						1	
11		40023223		NEEDLE BAR THREAD GUIDE						1	
12		11091709		POSITIONINGFINGER						1	
13		B1109555H0B		THROAT PLATE (H)						1	
14		B1613555H00		FEED DOG (H)						1	
15		B1213552000A		OIL ADJUSTING PIN						1	
16		11092459		LUBRICATING HOOK ASM.						1	
17		SS6080320SP		SCREW 1/8-44 L= 2.5						1	
18		MC200501300		NEEDLE 134 NM130	FOR JE					1	
19		MDB100B2100		NEEDLE DBX1 #21						1	
20	R	D1524555EBL	D1524555ECL	PRESSER FOOT ASM.						1	1.00
21		22971204		FEED REGULATOR BASE PIN						1	
22		11091006		ARM THREAD GUIDE (HA)						1	

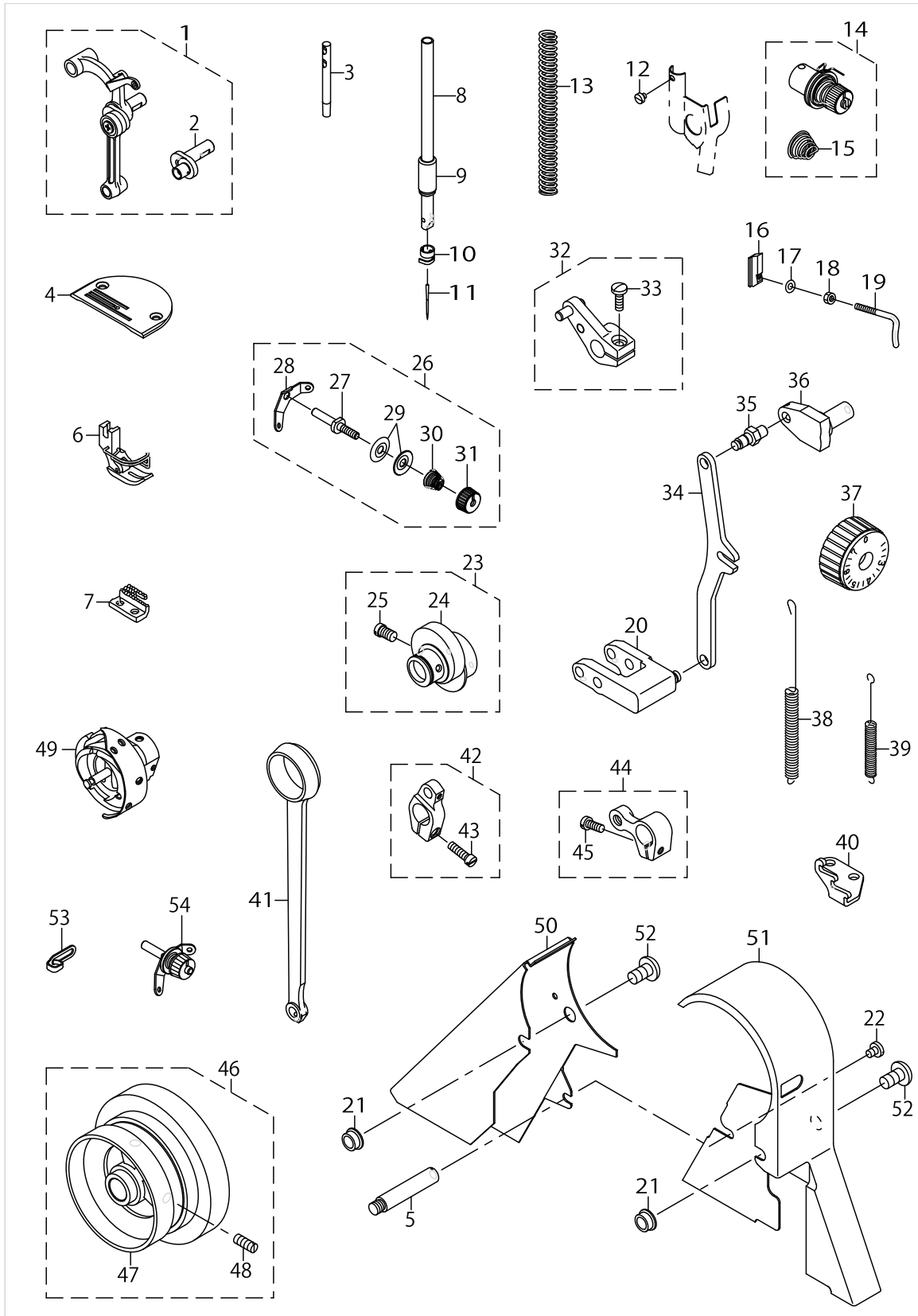
EXCLUSIVE PARTS FOR DDL-8700A



EXCLUSIVE PARTS FOR DDL-8700A

No.	Supply Code	Parts No.	Replacement	Parts name	Remarks	Choice	Step	Level	Cons	Qty	Rep. QTY
1		22940506		FEED DIAL						1	
2		B1613012I00		FEED DOG I						1	
3		22964001		BOBBIN (A)						1	
4		B1109552000		THROAT PLATE						1	
5		11092558		HAND LIFTER CAM ASM.						1	
6		B1505227T00A		PRESSER SPRING T						1	
7		MDA100B0900		NEEDLE DAX1 #9						1	
8		40011503		THREAD TENSION ASM.						1	
9		40054784		THREAD TAKE-UP SPRING				*		1	
10	R	40054785	D3129555D00	THREAD TENSION SPRING				*		1	1.00

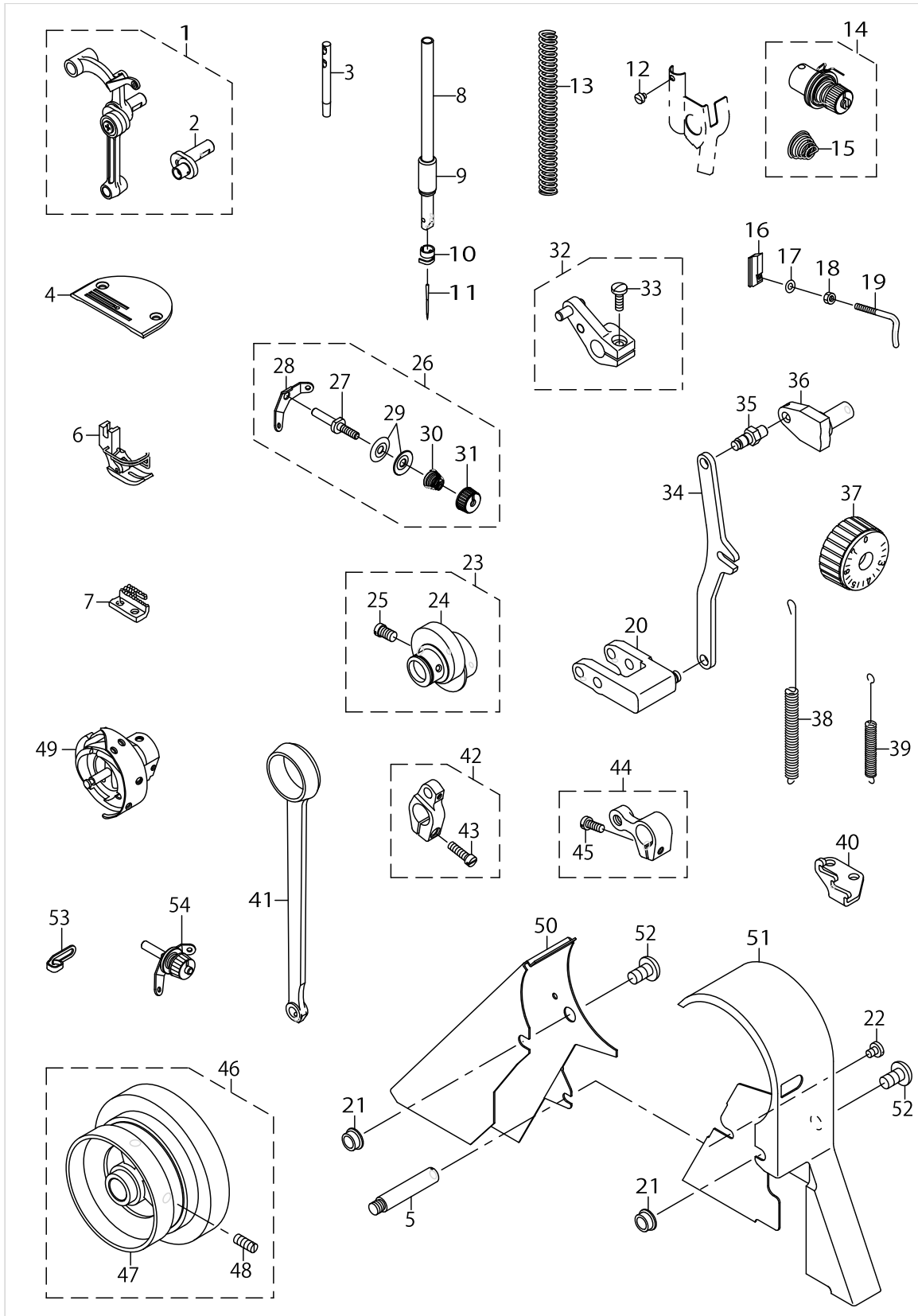
EXCLUSIVE PARTS FOR DDL-8700L



EXCLUSIVE PARTS FOR DDL-8700L

No.	Supply Code	Parts No.	Replacement	Parts name	Remarks	Choice	Step	Level	Cons	Qty	Rep. QTY
1		11062858		LINK THREAD TAKE-UP LEVER ASM.						1	
2		11062809		NEEDLE BAR CRANK				*		1	
3		22958300		NEEDLE THREAD GUIDE PIN						1	
4		11062007		THROAT PLATE A						1	
5	R	11023504	22933907	BELT COVER SUPPORT A						1	1.00
6		D1524126WBA		PRESSER FOOT ASM.						1	
7		11062601		FEED DOG						1	
8		22970206		NEEDLE BAR						1	
9		22970313		NEEDLE BAR BUSHING LOWER						1	
10		22970404		NEEDLE BAR THREAD HOOK						1	
11		MDB100B2100		NEEDLE DBX1 #21						1	
12		SS6080320SP		SCREW 1/8-44 L=2.5						1	
13		B1505552000A		PRESSER SPRING						1	
14		22962054		THREAD TENSION ASM.						1	
15	R	22962005	B3114232000	THREAD TENSION SPRING				*		1	1.00
16		11403805		THREAD GUIDE C FITTING PLATE						1	
17		WP0371016SD		WASHER 3.7X8X1						1	
18		NS6090310SP		NUT 9/64-40						1	
19	R	11305513	22972608	ARMTHREADGUIDE C						1	1.00
20		22970958		FEED ADJUST LINK ASM.						1	
21		11023603		BELTCOVERCOLLAR						2	
22		SS7120640SP		SCREW 3/16-28 L=6						1	
23		22970552		FEED ECCENTRIC CAM ASM.						1	
24		22970503		FEED ECCENTRIC CAM L				*		1	
25		22972806		FEED ECCENTRIC CAM SETSCREW				*		2	
26	R	22945455	22945463	THREAD TENSION ASM. NO.1						1	1.00
27	D	22945406		THREAD TENSION POST				*		1	
28	R	22945604	22963458	THREAD TENSION GUIDE		A		*		1	1.00
28	R	22945604	22945463	THREAD TENSION GUIDE		B	DDL8700H-7/8700J--7/9000B, DLN6390-7 DDL8700-7 and so on	*		1	1.00
29		22945802		THREAD TENSION DISK				*		2	
30		22945505		THREAD TENSION SPRING				*		1	
31		22945703		THREAD TENSION NUT				*		1	
32		22971550		FEED LEVER ARM ASM.						1	
33		SS7121410TP		SCREW 3/16-28 L=14				*		1	
34		22971105		FEED REGULATOR ROD						1	
35		22971204		FEED REGULATOR BASE PIN						1	
36		22971303		FEED REGULATOR BASE						1	
37		22971402		FEED DIAL						1	
38		11302619		SPRING						1	
39		22971709		FEED REVERSE SPRING						1	
40		22970602		FEED SPRING HOOK						1	
41	R	22970701	22970750	HORIZONTAL FEED ROD						1	1.00
42		22970859		HORIZONTAL FEED ARM ASM.						1	
43		SS6121610SP		SCREW 3/16-28 L=15.5				*		1	

EXCLUSIVE PARTS FOR DDL-8700L



EXCLUSIVE PARTS FOR DDL-8700L

No.	Supply Code	Parts No.	Replacement	Parts name	Remarks	Choice	Step	Level	Cons	Qty	Rep. QTY
44		22972251		VERTICAL FEED ARM ASM.						1	
45		SS6121610SP		SCREW 3/16-28 L=15.5				*		1	
46		22970156		HAND WHEEL ASM.						1	
47	R	22970107	22970156	HAND WHEEL				*		1	1.00
48		SS8151550SP		SCREW15/64-28L=15				*		2	
49		11062759		OIL HOOK ASM.						1	
50		11072907		BELT COVER A						1	
51		11073004		BELT COVER B						1	
52		SS4701415SD		SCREW						2	
53		11091006		ARM THREAD GUIDE (HA)						1	
54		22963458		THREAD TENSION ASM.						1	



LIST FOR INFORMATION OF CHANGE (1)

As to the place changed, refer to the corresponding Rev.No.  
 When previous parts(Obsoleted part)and new parts(Added parts)are  
 not interchangeable with each other:  
 In this case,even obsoleted parts(D.)can be ordered with the  
 obsoleted part number,so select the parts with changed dates and  
 place your orders.

変更箇所は、該当Rev.No.版をご参照ください。  
 部品の互換性がない変更の場合は、削除された品番でも、ご注文できます。

29346509  
 No.1305-08}・・Rev.No.

\*A:Added parts追加部品/D:Obsoleted parts削除部品/E:Erratum訂正

* Rev. No.	Page 頁	Ref. No.	Parts No. 品番	* Rev. No.	Page 頁	Ref. No.	Parts No. 品番
D 07	2	1	229-02159	A 08	2	1	401-02097
D 07	2	7	SS-4120915-SP	A 08	2	7	SS-4120925-SP
D 07	2	40	SS-4120915-SP	A 08	2	40	SS-4120925-SP
D 07	2	49	229-02605	A 08	2	49	400-99083
D 07	2	50	SS-7110540-SP	A 08	2	50	SS-7110720-SP
				A 08	2	53	401-16677
D 07	4	4	110-39070	A 08	4	4	229-18072
D 07	4	5	110-39062	A 08	4	5	229-18064
D 07	4	6	B1905-541-B00	A 08	4	6	229-18403
				A 08	4	7	229-18502
				A 08	4	8	229-18601
				A 08	4	9	229-18700
D 07	4	7	110-05204	A 08	4	10	229-18106
D 07	4	8	B1408-552-000	A 08	4	11	229-06606
D 07	4	9	B1903-552-000	A 08	4	12	229-18304
D 07	4	10	229-03157	A 08	4	13	401-06606
D 07	4	15	229-03108	A 08	4	15	401-06607
D 07	4	21	110-02508	A 08	4	21	401-05231
D 07	6	1	229-01409	A 08	6	1	TA-0850604-R0
D 07	6	6	B1414-555-000	A 08	6	6	400-90058
D 07	6	12	B1307-155-OC0				
D 07	6	13	B1306-155-OB0				
D 07	6	18	B1307-155-OB0				
D 07	6	28	SS-4120915-SP	A 08	6	28	SS-4120925-SP
D 07	10	10	229-11903	A 08	10	10	401-01726
D 07	10	28	229-12752	A 08	10	28	401-02264
D 07	10	29	SM-8061050-TP				
D 07	10	31	229-40803	A 08	10	31	401-01462
D 07	10	43	229-10350	A 08	10	43	401-10379
D 07	10	44	SS-7121410-TP	A 08	10	44	SS-6121610-SP
D 07	10	45	229-15151	A 08	10	45	401-09422
D 07	10	64	229-12604	A 08	10	64	401-00812
D 07	10	66	SS-8150710-TP	A 08	10	66	SS-6151220-SP
D 07	12	12	229-24807				
D 07	12	13	SS-4150915-SP				
D 07	12	17	229-23304	A 08	12	17	229-23312

LIST FOR INFORMATION OF CHANGE (2)

*	Rev. No.	Page 頁	Ref. No.	Parts No. 品番	*	Rev. No.	Page 頁	Ref. No.	Parts No. 品番
	D 07	12	19	229-23007		A 08	12	19	229-23015
	E 07	14	6	RO-1082401-00		A 08	14	6	RO-0982401-00
	D 07	14	16	SM-9062563-TR		A 08	14	16	401-01720
	D 07	16	1	229-30358		A 08	16	1	400-96354
	D 07	17	1	110-91659		A 08	17	1	401-03560
	D 07	17	2	110-91600		A 08	17	2	401-09126
						A 08	17	22	110-91006
						A 08	20	53	110-91006
						A 08	20	54	229-63458

## HOW TO MAKE USE OF THIS PARTS LIST

### 1.Explanation of codes

1)"\*"mark.....means this part is changed from the previous parts book.

As to the details of the change, refer to the "List for information of change".

2)"#01".....refer to "Note" explanation at bottom of page.

### 2.Codes on the "Qty" column

- Each numeral indicates the number of parts required.
- "0.1" and "2.5" indicate the length (in meters) of the respective parts.

3.Parentheses mean that the corresponding part is a subpart that constructs an assembly part.

4.Dotted lines on the Figures indicate assembly parts.

### 1."注記"欄の記号説明

1) "\*"印.....前回のパーツブックに比較して今回変更された部品を意味します。

変更内容は、"変更情報リスト"を参照してください。

2) "#01".....ページ下の"注記"の説明を参照してください。

2.数量欄の数字は、個数を表し、0.1、2.5等の数値は、長さ（単位メートル）を表します。

3.数量欄の（ ）は、組部品を構成している子部品であることを意味します。

4.イラストページの-----枠は、組構成であることを意味します。

# NUMERICAL INDEX OF PARTS

PART NO	PAGE	REF NO.	PART NO	PAGE	REF NO.	PART NO	PAGE	REF NO.
11002409	6	20	22906606	6	11	22915201	14	48
11002904	6	28	22906705	8	3·12·13	22915359	14	67
11010311	12	17	22907208	10	28	22916001	8	31
11015906	8	39	22907307	10	6	22916100	8	35
11023504	28	5	22907406	10	27	22916308	8	27
11023603	28	21	22907505	10	26	22916407	8	32
11028008	2	46	22907554	10	24	22916506	8	40
11062007	28	4	22907604	10	25	22916555	8	38
11062601	28	7	22907703	10	35	22917058	8	36
11062759	30	49	22907802	10	1	22917157	8	29
11062809	28	2	22908008	10	32	22918064	6	5
11062858	28	1	22908156	10	30	22918072	6	4
11072907	30	50	22908305	10	34	22918106	6	10
11073004	30	51	22908354	10	29	22918304	6	12
11091006	24	22	22908552	10	4	22918403	6	6~9
11091006	30	53	22908701	10	7	22918502	6	6~9
11091709	24	12	22908800	10	14	22918601	6	6~9
11092459	24	16	22908909	10	12	22918700	6	6~9
11092558	26	5	22909006	10	15	22919203	6	3
11302619	28	38	22910004	6	37	22919559	6	2
11305513	28	19	22910053	6	35	22920003	10	22
11403805	28	16	22910103	6	34	22920102	10	23
11415205	4	18·47	22910202	12	12·58	22920201	10	18
22900401	2	8	22910459	12	27	22920300	10	21
22900609	2	18·47	22910806	12	23	22920409	10	19
22900757	2	4	22910905	12	24	22920508	2	21
22901003	2	45	22911002	12	40	22920607	2	37
22901201	2	42	22911101	12	13	22920706	2	17
22901250	2	41	22911309	12	22	22920904	2	34
22901300	2	43	22911408	12	1	22921001	2	22
22901805	4	52	22911507	12	2	22921209	2	29
22903009	6	31	22911606	12	4	22921308	2	24
22903207	6	25	22911705	12	5	22921407	2	25
22903306	6	27	22911804	12	7	22921506	2	28
22903900	6	32	22912000	12	9	22921605	2	30
22904155	6	23	22912109	12	8	22921704	2	26
22904155	14	61	22912257	12	19	22921803	2	27
22905004	8	23	22912505	12	20	22923015	16	19
22905103	8	25	22912802	14	65	22923056	16	16
22905202	8	26	22912901	12	39	22923205	16	22
22906002	8	3·12·13	22913008	14	60	22923312	16	17
22906101	8	2	22913701	12	38	22923403	16	24
22906200	8	8	22913800	14	12·58	22923502	16	26
22906309	8	10	22914105	14	52	22923601	16	25
22906457	8	4	22915003	12	15	22923700	16	20

# NUMERICAL INDEX OF PARTS

PART NO	PAGE	REF NO.	PART NO	PAGE	REF NO.	PART NO	PAGE	REF NO.
22923809	16	23	22933659	20	4	22971204	28	35
22923908	16	27	22933758	20	6	22971303	28	36
22924005	16	13	22933907	20	7	22971402	28	37
22924153	16	8	22934004	20	8	22971550	28	32
22924302	16	9	22934202	18	22	22971709	28	39
22924401	16	3	22934251	18	19	22971857	12	35
22924500	16	11	22934301	18	23	22972251	30	44
22924609	16	5	22934400	18	21	22972806	28	25
22924708	16	1	22934509	18	25	40010007	8	3·12·13
22924906	16	14	22934608	18	20	40011503	26	8
22925002	16	15	22934707	18	15	40012126	2	2
22925101	16	7	22940506	26	1	40012129	2	9
22927206	6	29	22940654	14	55	40012444	8	7·18
22927305	20	27	22941306	12	36	40017805	10	5
22927354	20	13	22945307	2	31	40023223	24	11
22927404	20	28	22945356	2	23	40054784	26	9
22927602	20	29	22945406	28	27	40054785	26	10
22928105	20	22	22945455	28	26	40060989	10	16
22928303	20	21	22945505	28	30	40080725	24	9
22928402	20	20	22945604	28	28	40085784	22	2
22928501	20	14	22945703	28	31	40085785	22	3
22928709	20	26	22945802	28	29	40085786	22	4
22928808	20	18	22958300	28	3	40085787	22	5
22928907	20	16	22962005	24	7	40085788	22	6
22929004	20	17	22962005	28	15	40085789	22	7
22931703	18	27	22962054	24	6	40085790	22	8
22931802	18	2	22962054	28	14	40085791	22	9
22931851	18	1	22963458	30	54	40085792	22	10
22931901	18	3	22964001	26	3	40085793	22	11
22932008	18	4	22970107	30	47	40085794	22	12
22932107	18	8	22970156	30	46	40085795	22	13
22932156	18	7	22970206	24	4	40085796	22	16
22932206	18	11	22970206	28	8	40089548	12	25
22932305	18	17	22970313	24	10	40090058	8	6
22932404	18	14	22970313	28	9	40093417	12	26
22932453	18	13	22970404	28	10	40096325	22	14
22932503	2	13	22970503	28	24	40096326	22	17
22932552	2	12	22970552	28	23	40096327	22	19
22932602	2	14	22970602	24	8	40096354	22	1
22932701	2	15	22970602	28	40	40099083	4	49
22932909	8	41	22970701	28	41	40100812	14	64
22933402	20	2	22970859	28	42	40101462	12	31
22933451	20	1	22970958	28	20	40101720	18	16
22933501	20	3	22971105	28	34	40101726	12	10
22933600	20	5	22971204	24	21	40102097	2	1

# NUMERICAL INDEX OF PARTS

PART NO	PAGE	REF NO.	PART NO	PAGE	REF NO.	PART NO	PAGE	REF NO.
40102264	12	28	NS6680410SP	12	42	SS6090910SP	10	11
40103560	24	1	RC0150001KP	12	54	SS6110420TP	8	30
40105231	6	21	RC0150001KP	14	54	SS6110610TP	2	38
40106606	6	13	RC1850001KP	6	22	SS6111010TP	16	12
40106607	6	15	RE0500000K0	10	33	SS6121610SP	12	44
40109126	24	2	RE0500000K0	12	21	SS6121610SP	28	45
40109422	12	45	RE1000000K0	18	12	SS6121610SP	30	45
40110379	12	43	RO029180100	6	33	SS6121860SP	12	11
40116677	4	53	RO037180100	10	3	SS6151220SP	14	66
B1109552000	2	35	RO044240100	6	18	SS6661110SP	6	36
B1109552000	26	4	RO078190100	14	63	SS6700710SH	18	5
B1109555H0B	24	13	RO092270200	12	16	SS7080510TP	8	9
B1114012000	24	3	RO098240100	18	6	SS7081310SP	20	24
B1213552000A	24	15	RO195240100	16	2	SS7091110TP	10	8
B1215552000	6	26	SD0380552SL	2	16	SS7110350SP	20	19
B13050120A0	8	14	SD0490261SP	20	23	SS7110720SP	4	50
B13061550A0	8	16	SD0720331SP	10	13	SS7110740TP	14	53
B13071550A0	8	19	SD1000801SH	14	47	SS7111120SP	14	68
B13081550A0	8	21	SE4301041SR	16	21	SS7120640SP	28	22
B1505227T00A	26	6	SK3412000SC	20	30	SS7120770SH	12	6
B1505552000A	24	5	SL4030851SF	16	18	SS7121410TP	14	56
B1505552000A	28	13	SM4051405SE	22	23	SS7121410TP	28	33
B1521555000	10	2	SM8061010TP	12	29	SS7121610SP	14	46
B15240120BA	10	20	SM8063012TR	18	10	SS7681650TP	6	14
B1613012A00	12	33	SM9061203SE	18	24	SS8090670SP	2	32
B1613012I00	14	59	SS2110920TP	2	36	SS8110410TP	8	37
B1613012I00	26	2	SS4080620TP	12	34	SS8110510SP	20	25
B1613555H00	24	14	SS4090615SP	6	19	SS8150710TP	2	33
B18301270A0	8	24	SS4110515SP	12	37	SS8151150TP	6	1
B18370120A0	8	42	SS4110515SP	20	15	SS8151550SP	6	30
B8228125000	18	26	SS4110915TP	8	33	SS8151550SP	30	48
CM300200001	4	48	SS4120615SP	2	20	SS8660610TP	6	24
CM301200001	4	51	SS4120615SP	16	6	SS8660610TP	14	62
CQ252000000	16	10	SS4120925SP	2	40	SS8660810TP	8	22
D1524126WBA	28	6	SS4120925SP	8	28	SS8660810TP	10	10
D1524555EBL	24	20	SS4121415SP	20	9	SS8681650TP	6	16
MC200500900	8	11-34	SS4150915SP	16	4	TA0850604R0	2	5
MC200501300	24	18	SS4701415SD	30	52	TA0850604R0	8	1
MDA100B0900	26	7	SS6060210SP	2	44	TA1250406R0	2	39
MDB100B1400	8	11-34	SS6080320SP	24	17	TA1250705R0	2	6
MDB100B2100	24	19	SS6080320SP	28	12	TA2000502R0	2	10
MDB100B2100	28	11	SS6080410SP	2	3	TA2101002R0	2	11
NM6050001SE	22	24	SS6090620TP	12	41	WP0371016SD	28	17
NM6060001SE	18	18	SS6090670TP	8	5	WP0450826SC	20	31
NS6090310SP	28	18	SS6090670TP	12	3	WP0480856SP	14	57

## NUMERICAL INDEX OF PARTS

PART NO	PAGE	REF NO.
WP0501016SD	20	10
WP0531001SC	22	22
WP1612616SE	22	15
WS0510002KN	22	21