

MODEL : LBH-1700 SERIES

List No : 1263-02

# PARTS LIST

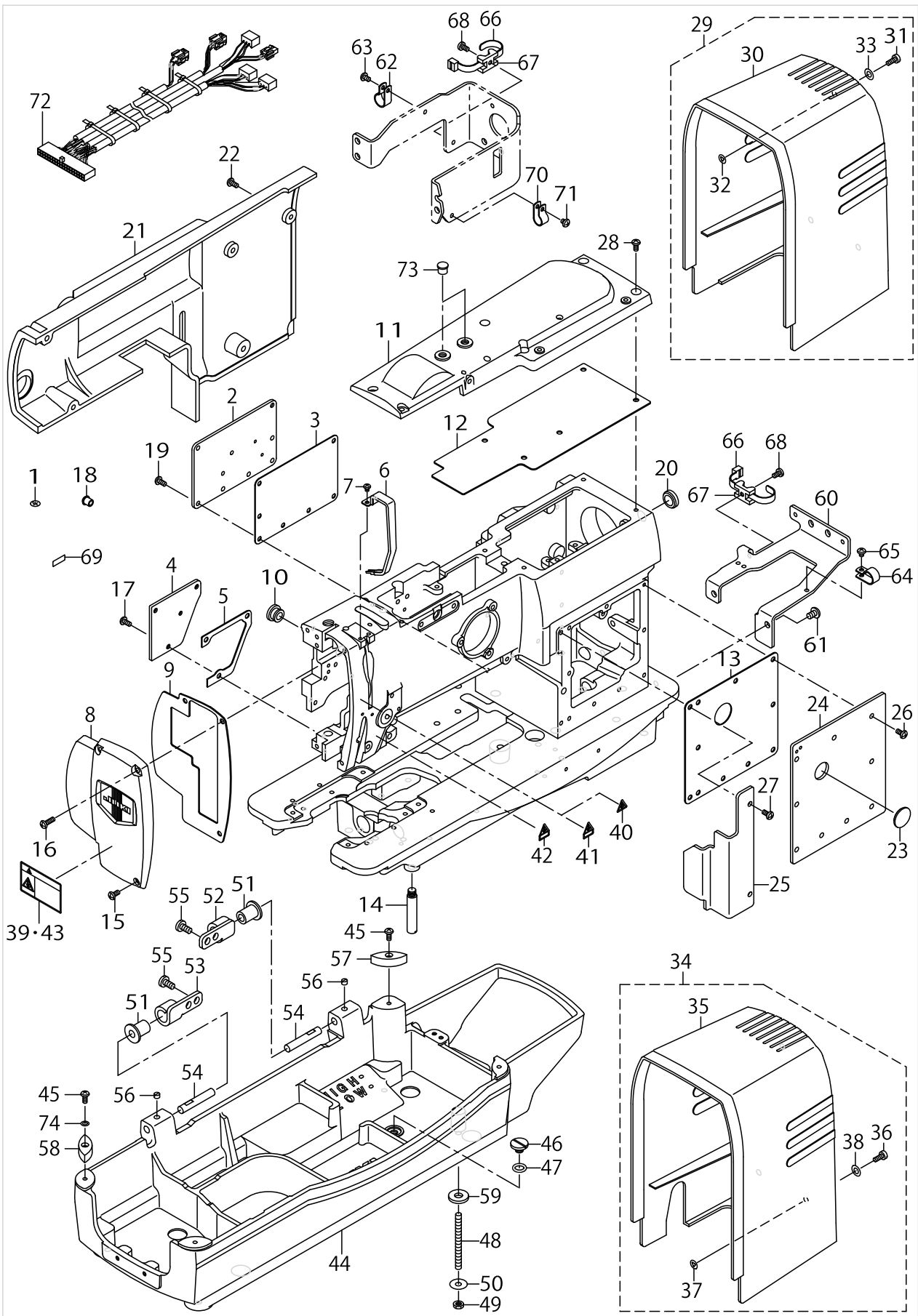
Published:05/12/2017

## CONTENTS

---

FRAME & MISCELLANEOUS COVER COMPONENTS (1) .....	1
FRAME & MISCELLANEOUS COVER COMPONENTS (2) .....	5
MAIN SHAFT COMPONENTS .....	9
HOOKE DRIVING SHAFT COMPONENTS .....	13
PRESSER & FEED COMPONENTS .....	15
NEEDLE BAR ROCKING COMPONENTS .....	19
LINKING WIDTH COMPONENTS .....	23
NEEDLE THREAD TRIMMER COMPONENTS.....	27
BOBBIN THREAD TRIMMER COMPONENTS.....	31
CLOTH CUTTING KNIFE COMPONENTS .....	35
STARTING SAFETY COMPONENTS.....	39
AO COMPONENTS.....	43
LUBRICATION COMPONENTS .....	45
TABLE COMPONENTS.....	47
PNEUMATIC COMPONENTS (FOR 170**C) .....	51
THREAD STAND COMPONENTS.....	53
CONTROL BOX COMPONENTS .....	55
OPERATION BOX COMPONENTS .....	59
WIRING DIAGRAM (1).....	61
WIRING DIAGRAM (2).....	65
ACCESSORIE PART COMPONENTS.....	69
SPECIAL SPECIFICATIONS COMPONENTS(1).....	73
SPECIAL SPECIFICATIONS COMPONENTS(2).....	75
EXCHANGING PARTS.....	79
LIST FOR INFORMATION OF CHANGE.....	81
HOW TO MAKE USE OF THIS PARTS LIST .....	82

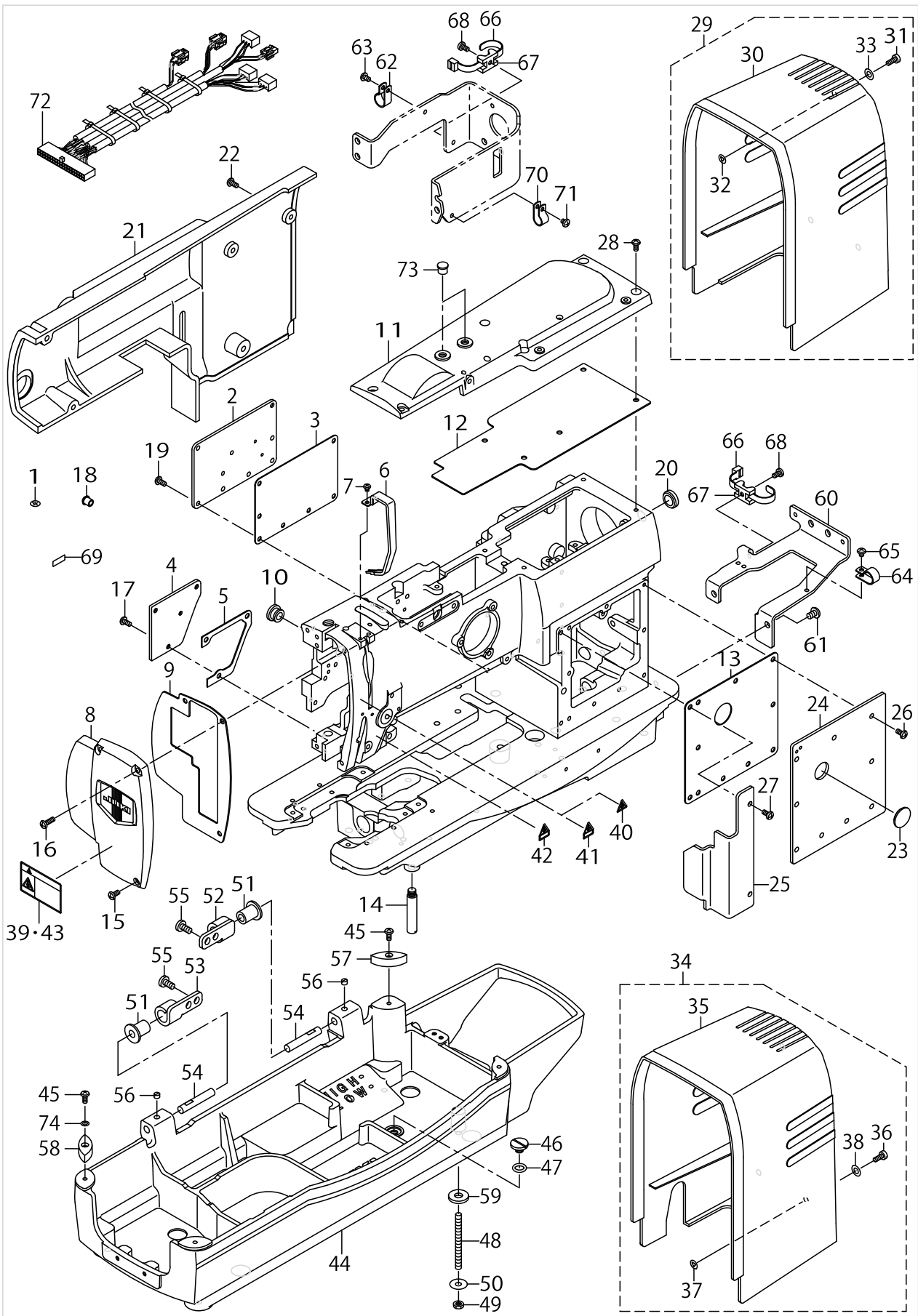
FRAME & MISCELLANEOUS COVER COMPONENTS (1)



FRAME & MISCELLANEOUS COVER COMPONENTS (1)

No.	Supply Code	Parts No.	Replacement	Parts name	Remarks	Choice	Step	Level	Cons	Qty	Rep. QTY
1	R	10004109	22901805	GROUND MARK						1	1.00
2	R	B111677100A	40009010	ARM SIDE COVER, C						1	1.00
3		B1152771000		SIDE COVER GASKET (C)						1	
4	D	14500607		FACE SIDE COVER						1	
5		B1145771000		SIDE COVER GASKET						1	
6	R	13911003	40009039	THREAD TAKE-UP LEVER COVER						1	1.00
7		SS4090515SP		SCREW 9/64-40 L=5						2	
8		14500250		FACE COVER ASM.						1	
9		14500300		FACE PLATE GASKET						1	
10		TA1250705R0		RUBBER PLUG						1	
11	D	14500409		TOP COVER						1	
12	D	14500508		UPPER COVER GASKET						1	
13		14500706		RIGHT SIDE COVER GASKET						1	
14	R	11023504	22933907	BELT COVER SUPPORT, A						4	1.00
15		SS4110915SP		SCREW 11/64-40 L=9						1	
16		SS4111415SP		SCREW11/64-40L=14						2	
17		SS4110915SP		SCREW 11/64-40 L=9						2	
18		TA0750704R0		RUBBER PLUG						5	
19		SS4110915SP		SCREW 11/64-40 L=9						7	
20		TA1900502R0		RUBBER PLUG						1	
21		14500805		SIDE COVER						1	
22		SS4110915SP		SCREW 11/64-40 L=9						5	
23	R	B1134771000	40009014	OIL SIGHT WINDOW						1	1.00
24		14500904		RIGHTSIDECOVER(1)						1	
25		14501001		RIGHTSIDECOVER(2)						1	
26		SS4110915SP		SCREW 11/64-40 L=9						9	
27		SS4110915SP		SCREW 11/64-40 L=9						2	
28		SS4110915SP		SCREW 11/64-40 L=9						6	
29		14502454		MOTOR COVER AO ASM.	ACCESSO- RIE PART (FOR 170*- *B,170**C)					1	
30		14502405		MOTOR COVER AO				*		1	
31		SS6111140SP		SCREW11/64-40L=11				*		3	
32		M8002430000		STOPPER				*		3	
33		WP0641601SC		WASHER				*		3	
34		14501159		MOTOR COVER ASM.	ACCESSO- RIE PART (FOR 170**A)					1	
35		14501100		MOTOR COVER				*		1	
36		SS6111140SP		SCREW11/64-40L=11				*		3	
37		M8002430000		STOPPER				*		3	
38		WP0641601SC		WASHER				*		3	
39		CM3002001A1		SAFETY LABEL,3 (SMALL).	FOR EXPO- RT (EXCEPT JE)					1	
40		CM300200001		ATTENTION SEAL	FOR JE					2	
41		CM3002000B1		LABEL(16)	FOR JAPAN					1	
42		CM3002000C1		CAUTION LABEL	FOR JAPAN					1	
43		CM300200101		SAFETY LABEL, 1(SMALL).	FOR JAPAN					1	

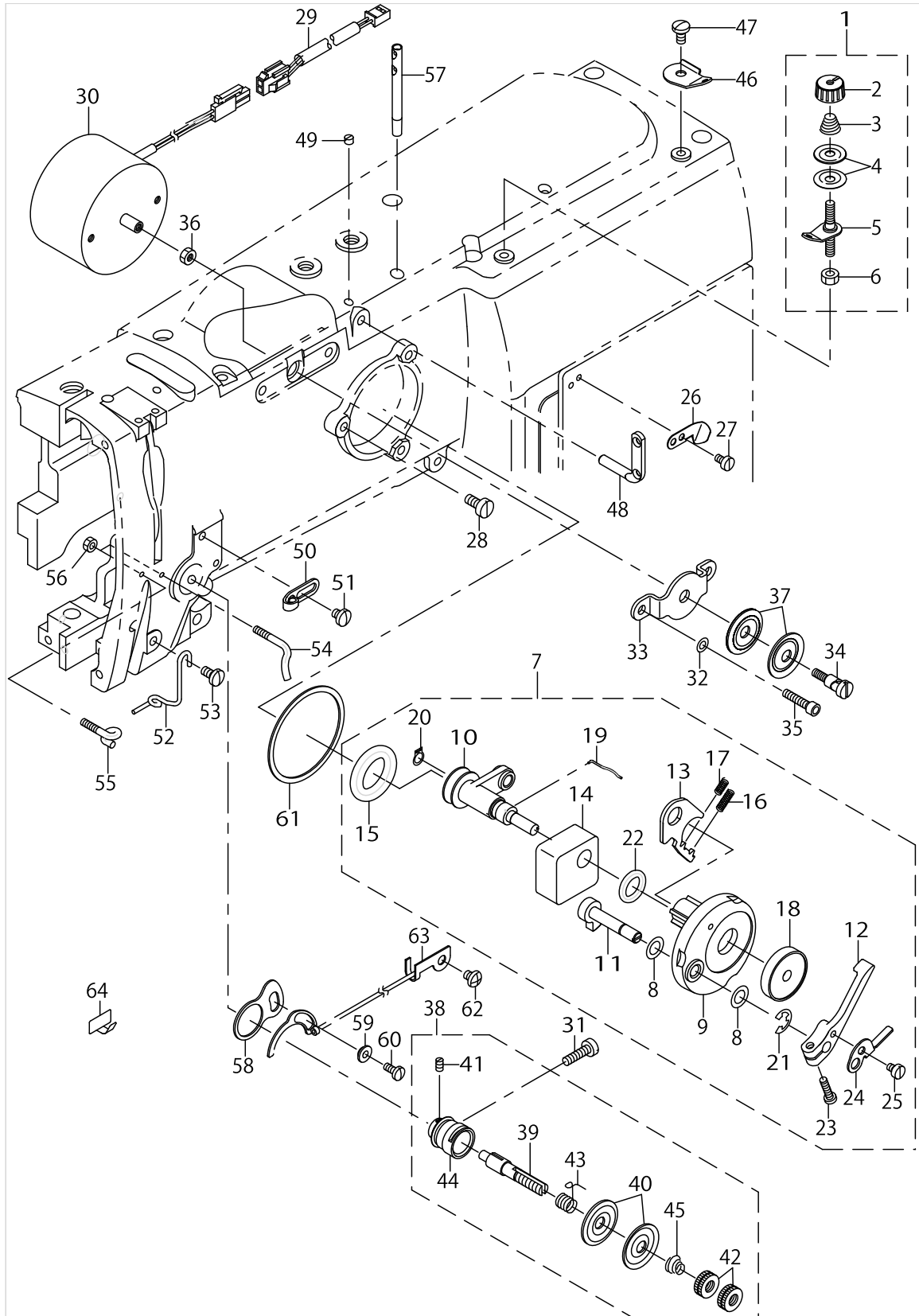
FRAME & MISCELLANEOUS COVER COMPONENTS (1)



FRAME & MISCELLANEOUS COVER COMPONENTS (1)

No.	Supply Code	Parts No.	Replacement	Parts name	Remarks	Choice	Step	Level	Cons	Qty	Rep. QTY
44	D	14501209		FRAME BASE						1	
45		SS4111015SP		SCREW11/64-40L=10						4	
46		SS6700710SH		SCREW 5/16-24 L=7						1	
47		RO098240100		RUBBER RING						1	
48		B1153771000		MACHINE BASE SCREW STUD	ACCESSORIE PART					4	
49		NS6150310SP		NUT 15/64-28	ACCESSORIE PART					8	
50		WP0612056SD		WASHER 6.1X18.5X2	ACCESSORIE PART					4	
51		13700703		RUBBER HINGE	ACCESSORIE PART					2	
52		13700406		HINGE PLATE, A	ACCESSORIE PART					1	
53		13700505		HINGE PLATE, B	ACCESSORIE PART					1	
54		13700604		HINGE PIN						2	
55		SS7151210SP		SCREW15/64-28L=12	ACCESSORIE PART					4	
56		SS8150410TP		SCREW 15/64-28 L= 4.0						2	
57	R	B1125761000	40009035	RUBBER CUSHION						2	1.00
58		14501308		FRAME SUPPORT R-UBBER (FRONT)						2	
59		D6056555B00		RUBBERCUSHION(B)	ACCESSORIE PART					4	
60	D	14501407		FRAME SUPPORT PLATE						1	
61		SS4150915SP		SCREW 15/64-28 L=9						2	
62		HX00150000F		CABLE CLIP						3	
63		SS4110715SP		SCREW 11/64-40 L=7						3	
64		HX00150000F		CABLE CLIP						1	
65		SS4110515SP		SCREW 11/64-40 L=5						1	
66		HX00292000A		CONNECTING PART						2	
67		HX004540000		TIE MOUNT						2	
68		SS7110840SP		SCREW 11/64-40 L=7.8						2	
69		B1140761000		OILING LABEL						3	
70		HX00150000D		CABLE CLIP						1	
71		SS4110515SP		SCREW 11/64-40 L=5						1	
72		M85186000A0		HED SENSOR CORD WHOLE ASM. 1						1	
73		TA0750404R0		PLUG D=7.5 L=3.5						2	
74		WP0480856SP		WASHER 4.8X8.4X0.8						2	

FRAME & MISCELLANEOUS COVER COMPONENTS (2)

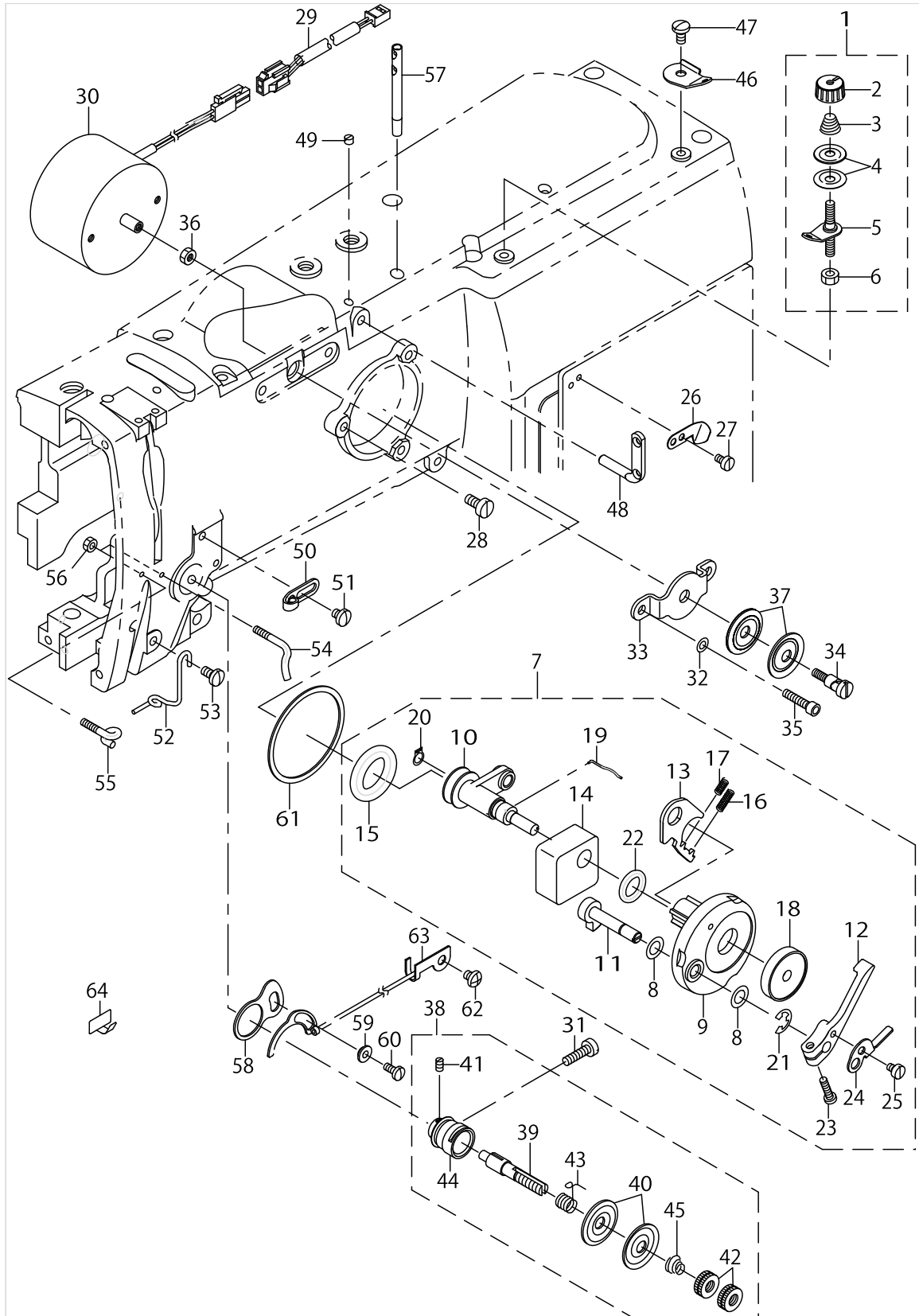


FRAME & MISCELLANEOUS COVER COMPONENTS (2)

No.	Supply Code	Parts No.	Replacement	Parts name	Remarks	Choice	Step	Level	Cons	Qty	Rep. QTY
1		22529481		BOBBIN THREAD TENSION ASM.						1	
2		11072402		THREAD TENSION NUT				*		1	
3		11093606		THREAD TENSION SPRING				*		1	
4	R	B3214047000	22945802	BOBBIN WINDER TENSION DISC				*		2	1.00
5		22529473		BOBBIN THREAD T- ENSION ROD ASM.				*		1	
6		NS6110310SP		NUT 11/64-40				*		1	
7	D	14512867		BOBBINWINDERASM.						1	
8		10618304		VERTICAL ROLLER WASHER				*		2	
9		22537658		BOBBIN FITTING BASIS COMPL.				*		1	
10	R	14512859	14512867	BOBBIN WINDER SHAFT COMPL.				*		1	1.00
11		22538151		BOBBIN CAM SHAFT COMPL.				*		1	
12		23636202		BOBBIN LEVER				*		1	
13		22538409		ADJUSTING PLATE				*		1	
14	D	22538904		OIL RESERVOIRBASE				*		1	
15		A321600100A		RUBBER RING				*		1	
16	R	B1148555000	22912109	SPRING				*		1	1.00
17		B152989000CA		PRESSUR FOOT SPRING				*		1	
18	D	23636707		BOBBIN CUSHION				*		1	
19		B3212761000		LATCH SPRING				*		1	
20		RC0560711KP		RETAINING RING				*		1	
21		RE0500000K0		E-RING				*		1	
22		RO092270200		RUBBER RING				*		1	
23		SS7091410SP		SCREW 9/64-40 L=13.5				*		1	
24		14512503		BOBBIN ADJUSTING PLATE				*		1	
25		SS6090520SP		SCREW 9/64-40 L=5.0				*		1	
26		10502300		THREAD CUTTER						1	
27		SS6080340SP		SCREW 1/8-44 L=2.9						2	
28		SS6121030SN		SCREW 3/16-28 L=10						3	
29		M85066000A0		THREAD TENSION CORD ASM.						1	
30		14513154		THREAD TENSION SOLENOID ASM.						1	
31		SS6111610SP		SCREW 11/64-40 L=16						1	
32		WP0430800SD		WASHER M4						2	
33		14513204		THREAD TENSION FITTING PLATE						1	
34		14513303		AT THREAD TENSION SHAFT						1	
35		SM6041802TP		SCREW M4 L=18						2	
36		NM6040001SE		NUT M4						1	
37	R	14513808	13138201	THREAD TENSION DISK						2	1.00
38	D	14513451		THREAD TENSION ASM.						1	
39		B3111761000		TENSION POST NO.3				*		1	
40	R	B3126012000	22921506	THREAD TENSION DISK				*		2	1.00
41		SS8090670SP		SCREW 9/64-40 L=5.5				*		1	
42	R	B3125012000	22928808	THREAD TENSION NUT				*		2	1.00
43		B3112761000		THREAD TAKE-UP SPRING				*		1	
44		B3110771000		TENSION POST SOCKET				*		1	
45		B2017372000		TENSION SPRING NO.1				*		1	
46		D3162555B00		THREAD GUIDE						1	



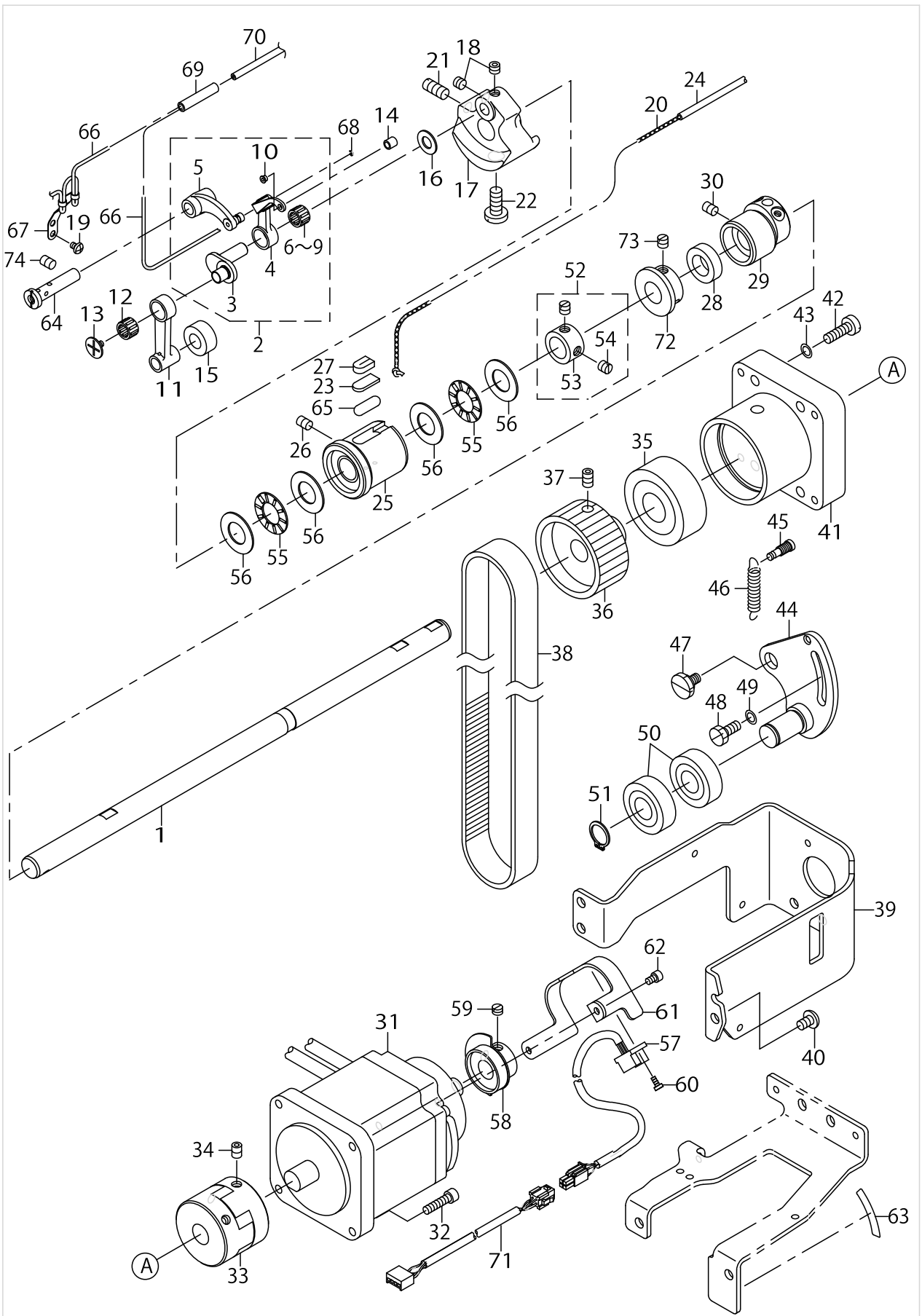
FRAME & MISCELLANEOUS COVER COMPONENTS (2)



FRAME & MISCELLANEOUS COVER COMPONENTS (2)

No.	Supply Code	Parts No.	Replacement	Parts name	Remarks	Choice	Step	Level	Cons	Qty	Rep. QTY
47		SS7110840SP		SCREW 11/64-40 L=7.8						1	
48		22920706		TWO EYELET						1	
49		SS8110310SP		SCREW 11/64-40 L= 2.8						1	
50	R	13706601	40009037	TAKE-UP THREAD GUIDE, A						1	1.00
51		SS7110510SP		SCREW 11/64-40 L=5						1	
52		13719802		NEEDLE BAR THREAD GUIDE						1	
53		SS7110840SP		SCREW 11/64-40 L=7.8						1	
54		B3118771000		TENSION THREAD GUIDE, NO.2						1	
55		B3114771000		THREAD GUIDE						1	
56		NS6090310SP		NUT 9/64-40						2	
57		22502504		THREAD GUIDE BAR						1	
58		B2702210000		GUIDE PLATE						1	
59		B2703210000		BUSHING						1	
60		SS7090850SP		SCREW 9/64-40 L=8						1	
61		22538706		PACKING						1	
62		SS4110515SP		SCREW 11/64-40 L=5						1	
63		11030301		CABLE HOLDER						1	
64		HX005210000								3	

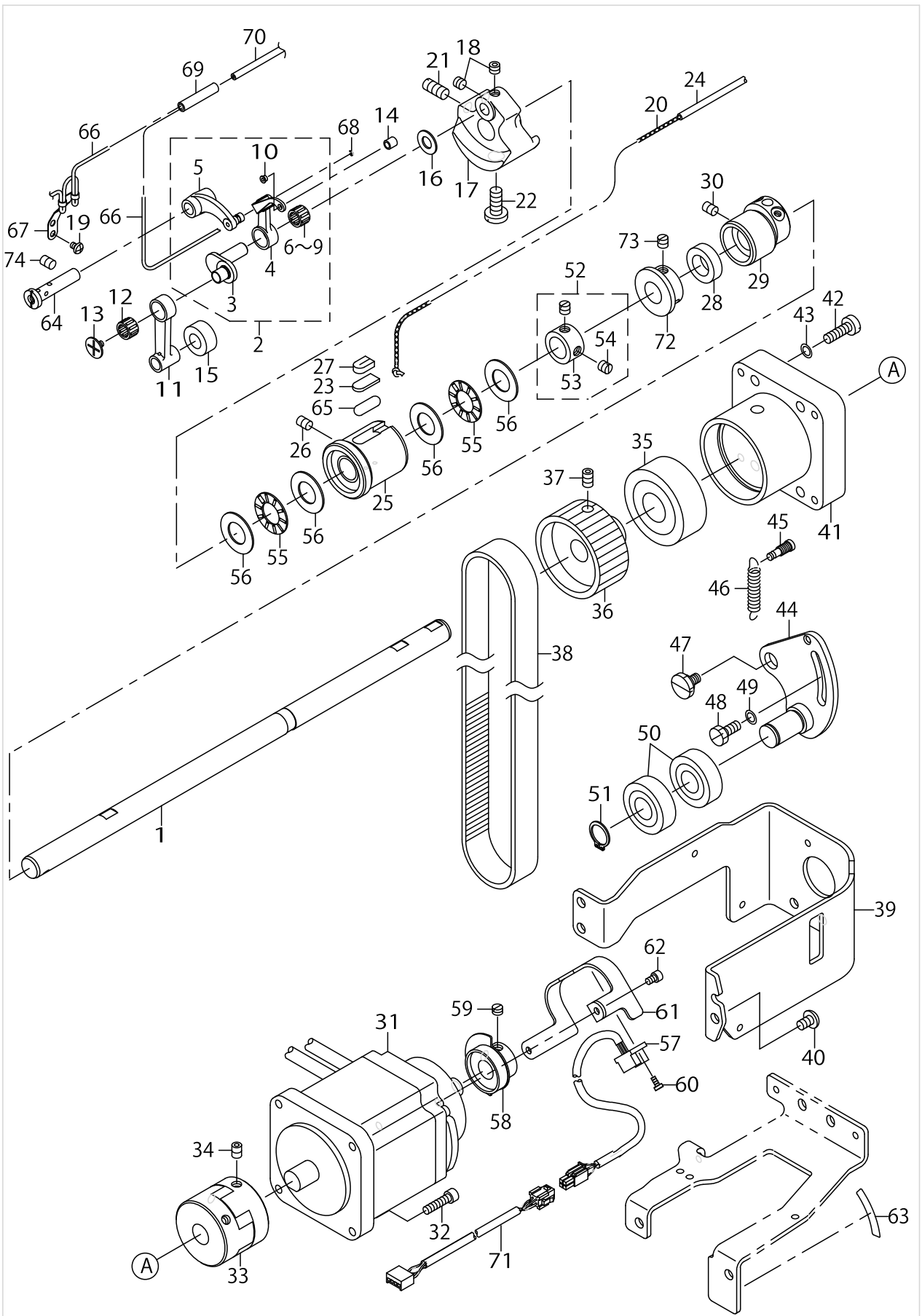
MAIN SHAFT COMPONENTS



MAIN SHAFT COMPONENTS

No.	Supply Code	Parts No.	Replacement	Parts name	Remarks	Choice	Step	Level	Cons	Qty	Rep. QTY
1	D	14502504		MAIN SHAFT						1	
2		B19017710A0		THREAD TAKE-UP LEVER ASM.						1	
3		B1203771000		NEEDLE BAR CRANK				*		1	
4	D	B1901761000		THREAD TAKE-UP LEVER				*		1	
5	R	B1902761000	B19017610A0	THREAD TAKE-UP CRANK				*		1	1.00
6		B1905541A00		NEEDLE BEARING, A	SELECTIVE PART			*		1	
7		B1905541B00		NEEDLE BEARING	SELECTIVE PART			*		1	
8		B1905541C00		NEEDLE BEARING	SELECTIVE PART			*		1	
9		B1905541D00		NEEDLE BEARING	SELECTIVE PART			*		1	
10	R	B1908541000	B1908505000	THREAD GUIDE				*		1	1.00
11		B1204761000		NEEDLE BAR CRANK CONNECTING RO						1	
12		B1905541B00		NEEDLE BEARING						1	
13		B1903552000		LEFT SCREW						1	
14		B1215552000		OIL ADJUSTING COLLAR						1	
15		B2615232000		OIL FELT WASHER						1	
16		B1223771000		NEEDLE ROD CRANK WASHER						1	
17	R	B1202771000	40009057	COUNTERWEIGHT						1	1.00
18		SS8660512TP		SCREW 1/4-40 L=5						2	
19		SS4090515SP		SCREW 9/64-40 L=5						2	
20		CQ202000000		OIL WICK						.3	
21		SS8681650TP		SCREW 9/32-28 L=16						1	
22		SS7681750TP		SCREW 9/32-28 L=16.5						1	
23		B1203012000		OIL FELT						1	
24		BP400000000		VINYL TUBE, WHITE D=4						.24	
25		14502603		MAIN SHAFT FRONT BUSHING						1	
26		SS8150822TP		SCREW 15/64-28 L=8						1	
27		B3541012000		OIL WICK						1	
28		B1208552000A		OIL SEAL						1	
29	R	B1205771000A	26104703	MAIN SHAFT BUSHI- NG, INTERMEDIA						1	1.00
30		SS8150822TP		SCREW 15/64-28 L=8						1	
31	D	M6001610AA0		MOTOR A ASM.						1	
32		SM6052002TP		SCREW M5 L=20						4	
33		14503908		COUPLING						1	
34		SM8060812TP		SCREW M6 L=8						4	
35		SB120001100		ROLLER BEARING						1	
36	D	14502702		MAIN SHAFT SPROCKET						1	
37		SS8661012TP		SCREW						2	
38	D	14502801		TIMING BELT						1	
39		14503809		MAIN MOTOR COVER						1	
40		SS4150915SP		SCREW 15/64-28 L=9						4	
41		14503205		MAIN MOTOR FITTING BASE						1	
42		SS6151920TP		SCREW 15/64-28 L=19.0						4	
43		WP0621026SP		WASHER 6.2X9.5X1						4	
44	D	14502959		IDLER FITTING PLATE ASM.						1	
45		13716907		SUSPENSION SCREW						1	

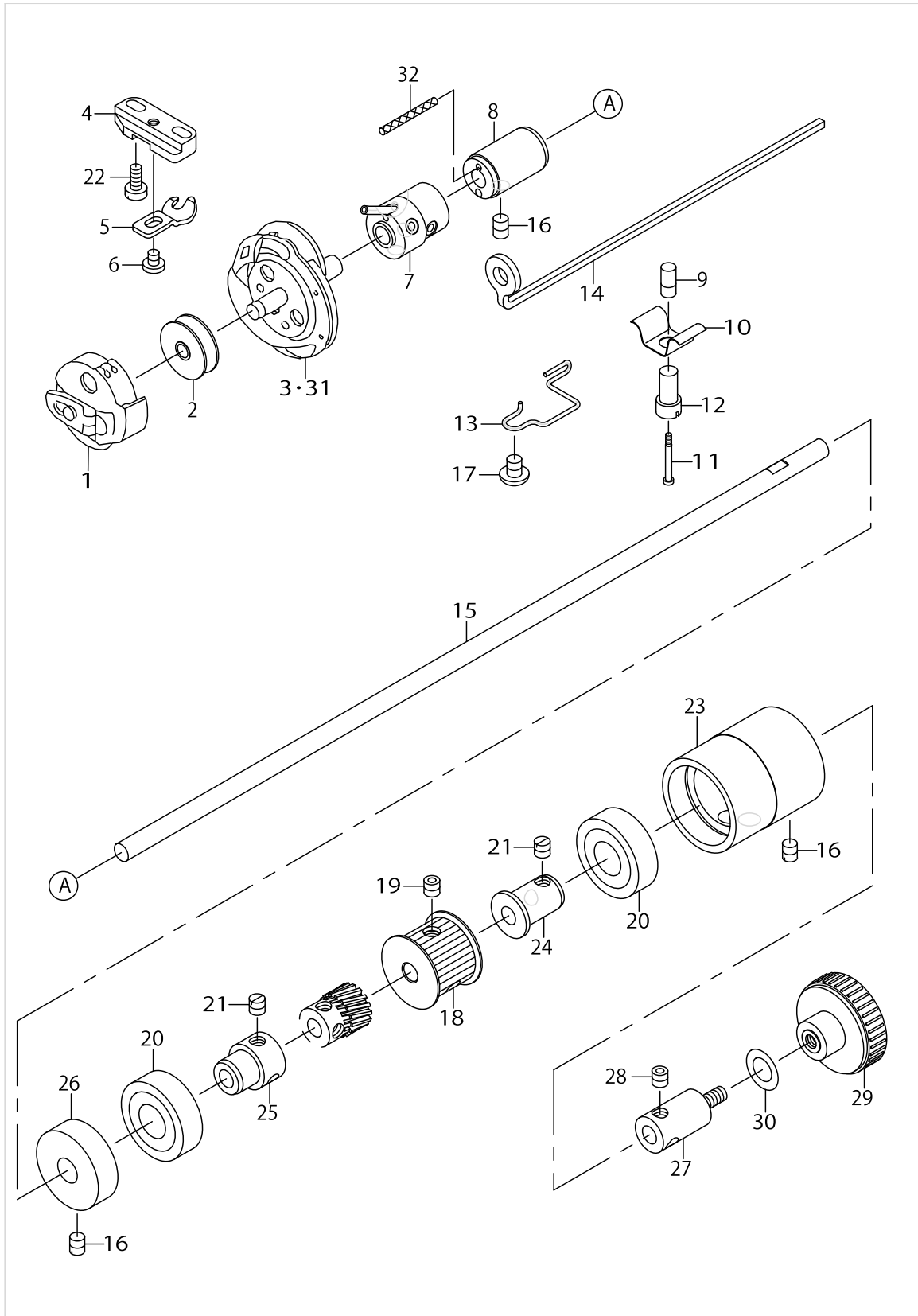
MAIN SHAFT COMPONENTS



MAIN SHAFT COMPONENTS

No.	Supply Code	Parts No.	Replacement	Parts name	Remarks	Choice	Step	Level	Cons	Qty	Rep. QTY
46		B2410980000		TENSION SPRING						1	
47		SD1100301TP		HINGE SCREW H=11 W=3						1	
48		SS9151440CP		SCREW 15/64-28L=14						1	
49		WP0621016SD		WASHER 6.2X13X1						1	
50		SB115000200		BEARING						2	
51		RC0150001KP		RETAINING RING 13.8						1	
52	R	CS147121ASH	22904155	THRUST COLLAR A- SM.D=14.72 W=12						1	1.00
53	R	CS1471212SH	22904155	THRUST COLLAR D=14.72 W=12				*		1	1.00
54		SS8660610TP		SCREW 1/4-40 L=6				*		2	
55		B1211980000		UPPER SHAFT THRUST BEARING						2	
56		B1220771000		THRUST WASHER A						4	
57		14404750		SDET SENSOR ASM.						1	
58		14503551		UPPER DETECTION PLATE ASM.						1	
59		SS8660410SP		SCREW 1/4-40 L= 4.2						2	
60		SM4860601SC		SCREW M2.6 L=6						2	
61		14503700		SENSOR FITTING PLATE						1	
62		SM6040602TP		SCREW M4 L=6						2	
63		B1144210000		REVOLVING DIRECTION LABEL						1	
64		B1404761000		HINGE STUD						1	
65		B3561771000		OIL UNWOVEN CLOTH						1	
66		CQ252000000		OIL WICK						.78	
67	R	B1409761000	40009087	OIL WICK HOLDER						1	1.00
68		B1147125000		OIL WICK SNAP RING						1	
69		BP600000000		VINYL PIPE						.03	
70		BP400000000		VINYL TUBE, WHITE D=4						.23	
71	D	M85276000A0		DETECTOR CORD ASM.						1	
72	R	22538805	22538854	DRIVING WHEEL						1	1.00
73		SS8660610TP		SCREW 1/4-40 L=6						2	
74		SS8150822TP		SCREW 15/64-28 L=8						1	

# HOOK DRIVING SHAFT COMPONENTS

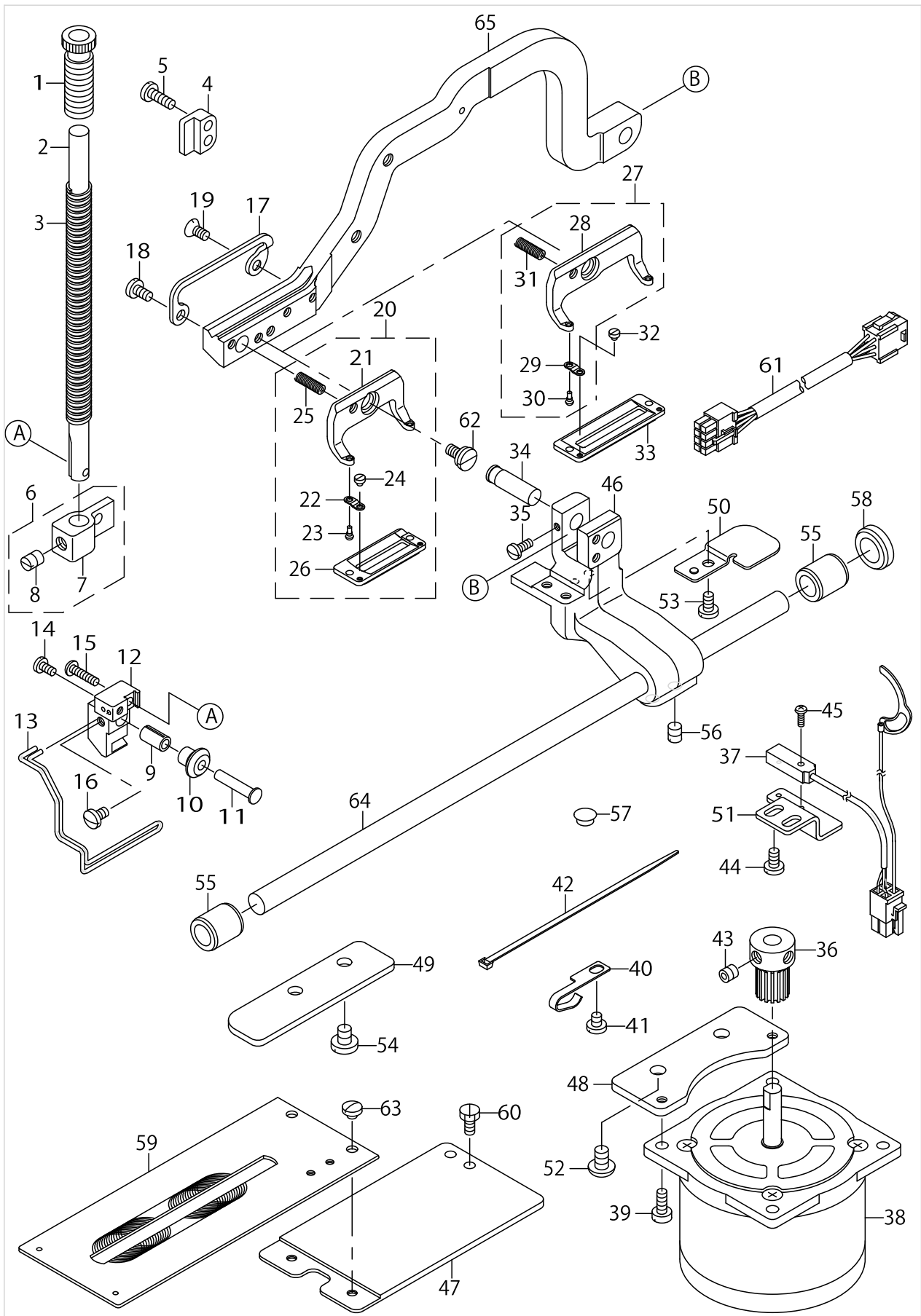


HOOK DRIVING SHAFT COMPONENTS

No.	Supply Code	Parts No.	Replacement	Parts name	Remarks	Choice	Step	Level	Cons	Qty	Rep. QTY
1		13729769		BOBBIN CASE ASM.						1	
2	R	B1811771000	40009148	BOBBIN						1	1.00
3		13729066		HOOK COMPL.	FOR 170*S*					1	
4	D	13729306		BOBBIN CASE POSI- TIONING PLATE						1	
5		13727102		STOPPER						1	
6		SS7110510SP		SCREW 11/64-40 L=5						1	
7	R	B18057710A0	40009436	HOOK SLEEVE ASM.						1	1.00
8		B1804761000		HOOK DRIVING SH- AFT BUSHING,FRO						1	
9	R	B35415810A0	40009442	HOOK OIL SUPPLY RUBBER ASM.						1	1.00
10	R	B3527112000	40009155	PLATE SPRING						1	1.00
11	R	B3537581000	40009157	POSITIONING SCREW						1	1.00
12	R	B3535581000	40009156	HOOK OIL ADJUSTING SCREW						1	1.00
13	D	B1811761000A		OIL SUPPLY FELT HOLDER						1	
14	D	14504807		HOOK OILING FELT						1	
15	R	B1801761000	40009150	HOOK DRIVING SHAFT						1	1.00
16		SS8150822TP		SCREW 15/64-28 L=8						3	
17		SS4150715SP		SCREW 15/64-28 L=7						1	
18	D	14504203		HOOK DRIVING SHAFT SPROCKET						1	
19		SS8660612TP		SCREW 1/4-40 L=6						2	
20		SB115000200		BEARING						2	
21		SS8660610TP		SCREW 1/4-40 L=6						4	
22		SS6111040SP		SCREW 11/64-40 L= 9.5						2	
23		14504401		BEARING SUPPORT						1	
24	D	14504500		BEARINGBUSH,REAR						1	
25	D	14504302		BEARING BUSH, INTERMEDIATE						1	
26	D	13727904		THRUST BRACKET						1	
27	D	14504609		HAND PULLEY JOINT						1	
28		SS8660612TP		SCREW 1/4-40 L=6						2	
29		G8039870000		CROWN KNOB						1	
30		WP1052000SD		WASHER M10						1	
31		13782065		HOOK COMBINATION	FOR 170*K*					1	
32		CQ303000000		OIL WICK						.03	



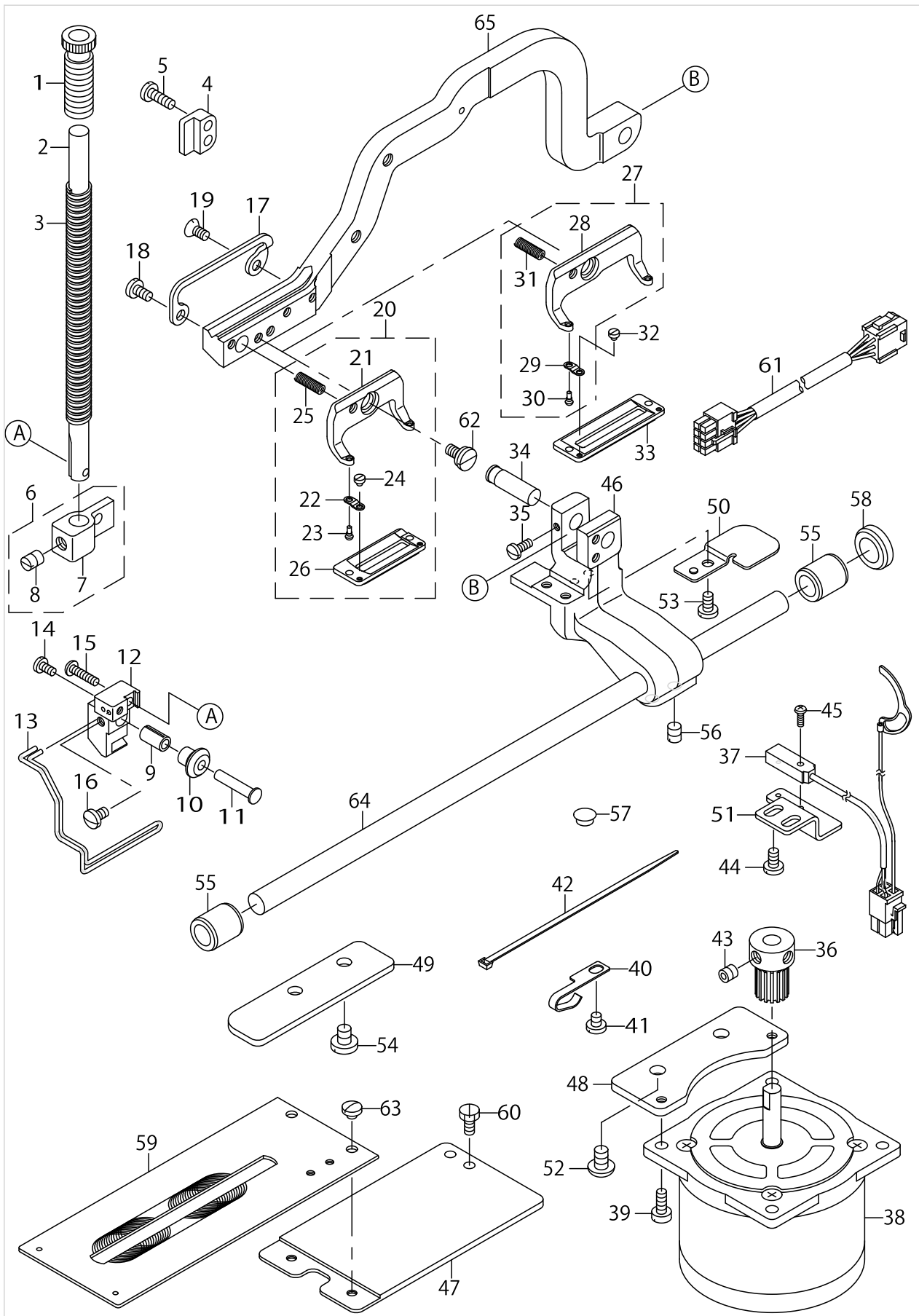
PRESSER & FEED COMPONENTS



PRESSER & FEED COMPONENTS

No.	Supply Code	Parts No.	Replacement	Parts name	Remarks	Choice	Step	Level	Cons	Qty	Rep. QTY
1	R	B1509012000	40009129	PRESSER SPRING REGULATOR						1	1.00
2	R	B1501771000	40009119	PRESSER BAR						1	1.00
3		B1507761000		PRESSER SPRING						1	
4		B1506761000		PRESSER BAR GUIDE BRACKET						1	
5	R	SS7111310SP	SS7111310TP	SCREW 11/64-40 L=12.8						2	1.00
6		B15057610A0		PRESSER BAR POSITION BRACKET A						1	
7	R	B1505761000	B15057610A0	PRESSER BAR POSITION BRACKET				*		1	1.00
8		SS8660810TP		SCREW 1/4-40 L=8				*		1	
9	R	B1504771000	40009121	COLLAR						1	1.00
10	R	B1515771000	40009123	SLIDE ROLLER						1	1.00
11		B1503771000		CONNECTING PIN						1	
12	R	B1502771000A	40009131	BRACKET						1	1.00
13		B3130761000A		FINGER GUARD						1	
14		SS7090710SP		SCREW 9/64-40 L= 6.8						1	
15		SS4091520SP		SCREW 9/64-40 L=15						1	
16		SS7110710SP		SCREW 11/64-40 L=7						1	
17	R	B1513771000	40009122	WORK CLAMP BRACKET						1	1.00
18		SS7110840SP		SCREW 11/64-40 L=7.8						1	
19		SS2110920TP		SCREW 11/64-40 L=8.5						1	
20		B15527810A0A		PRESSER ASM.	FOR 170*S*					1	
21		B1511771000B		PRESSER FOOT				*		1	
22		B1509761000		WORK CLAMP CHECK SPRING				*		2	
23		B151077100B		WORK CLAMP CHECK SPRING SET PI				*		2	
24		SS6060210SP		SCREW 3/32-56 L= 1.9				*		2	
25		B1512761000		WORK CLAMP CHECK HOLDER SPRING				*		1	
26		B1552781000A		PRESSER				*		1	
27		D1511772KA0		WORK CLAMP CHECK HOLDER	FOR 170*K*					1	
28		B1511772000A		WORK CLAMP CHECK HOLDER				*		1	
29		B1509761000		WORK CLAMP CHECK SPRING				*		2	
30		B151077100B		WORK CLAMP CHECK SPRING SET PI				*		2	
31		B1512761000		WORK CLAMP CHECK HOLDER SPRING				*		1	
32		SS6060210SP		SCREW 3/32-56 L= 1.9	FOR 170*K*					2	
33		D1508772K00		WORK CLAMP CHECK (2K)	FOR 170*K*					1	
34		B1517761000		CONNECTING PIN						1	
35		SS7090920SP		SCREW 9/64-40 L= 8.5						1	
36	R	14110407	26501502	LENGTHWISE FEED GEAR						1	1.00
37		14505259		HEAD SENSOR ASM.						1	
38	D	14505101		FEED STEPPING MOTOR						1	
39		SS6111140SP		SCREW 11/64-40 L=11						4	
40	R	13530209	26230409	LUBRICATING OIL WICK STOPPER						1	1.00
41		SS7110510SP		SCREW 11/64-40 L=5						1	
42		EA9500B0200		CABLE BAND 150						1	
43		SM8060602TP		SCREW M6X6						2	
44		SS7110840SP		SCREW 11/64-40 L=7.8						2	

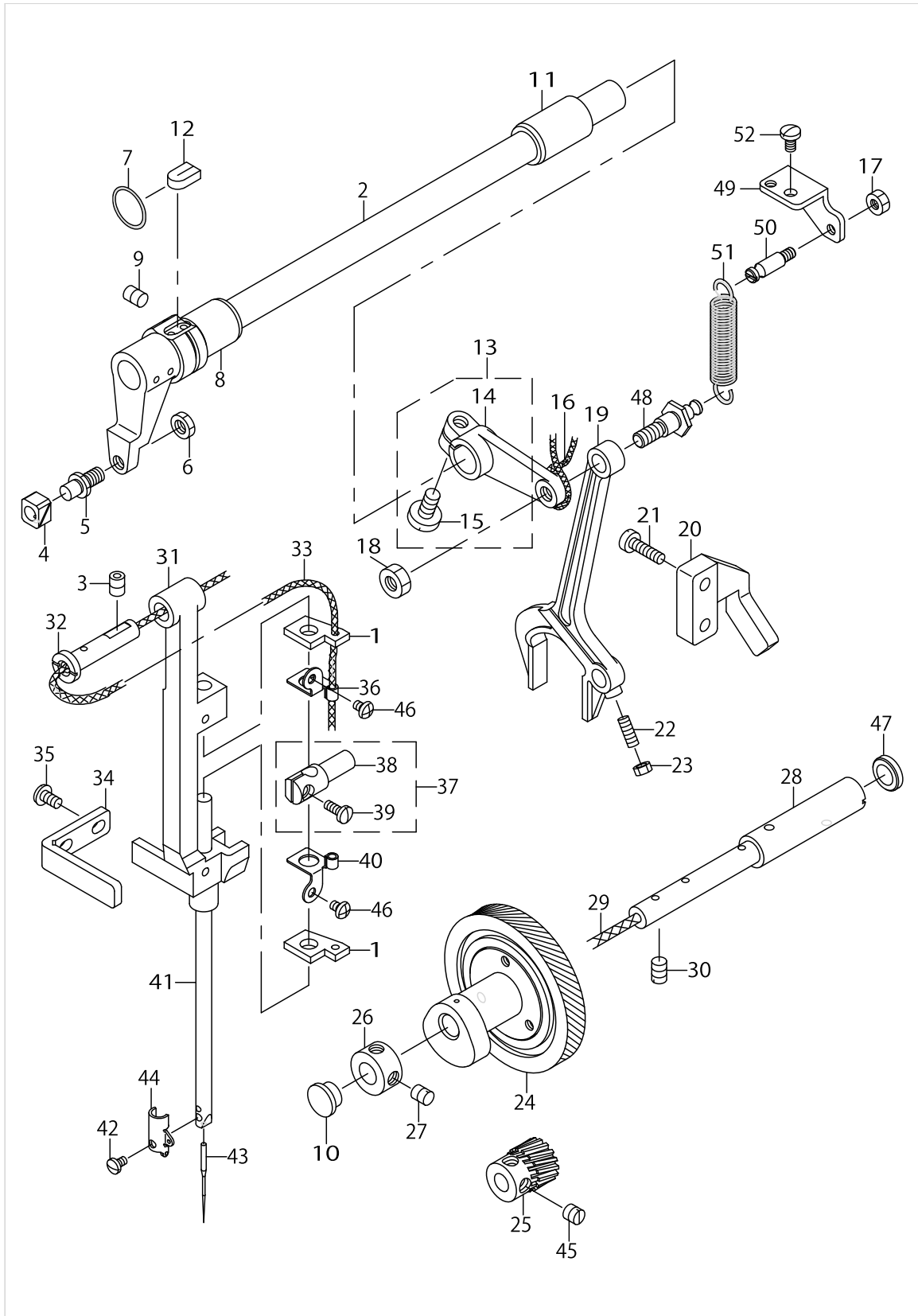
PRESSER & FEED COMPONENTS



PRESSER & FEED COMPONENTS

No.	Supply Code	Parts No.	Replacement	Parts name	Remarks	Choice	Step	Level	Cons	Qty	Rep. QTY
45		SM4860801SC		SCREW M2.6 L=8						1	
46		14505309		FEED BASE						1	
47		14505408		CONNECTING PLATE						1	
48	D	14505507		STEPPING MOTOR FITTING PLATE						1	
49	D	14505606		FEED BAR GUIDE PLATE						1	
50	D	14505705		FEED BASE COVER						1	
51		14505804		FEED SENSOR FITTING PLATE						1	
52		SS7151210SP		SCREW 15/64-28L=12						2	
53		SS7110840SP		SCREW 11/64-40 L=7.8						1	
54		SS7150740SP		SCREW 15/64-28 L=7						2	
55		B2509704000		BUSHING, REAR						2	
56		SS8150710TP		SCREW 15/64-28 L=7						2	
57		TA0750404R0		PLUG D=7.5 L=3.5						1	
58		TA2000502R0		RUBBER PLUG						1	
59	R	B1613771000B	40009445	WORK CLAMP CARRIER						1	1.00
60		SS9110920CP		SCREW 11/64-40 L=9						2	
61	D	M85026000A0		FEED MOTOR CORD ASM.						1	
62		SD0790203SP		HINGE SCREW D=7.94 H=2						1	
63		SS7110340SP		SCREW 11/64-40 L= 3.2						2	
64	D	14505002		FEED SHAFT						1	
65		B1551781000		WORK CLAMP						1	

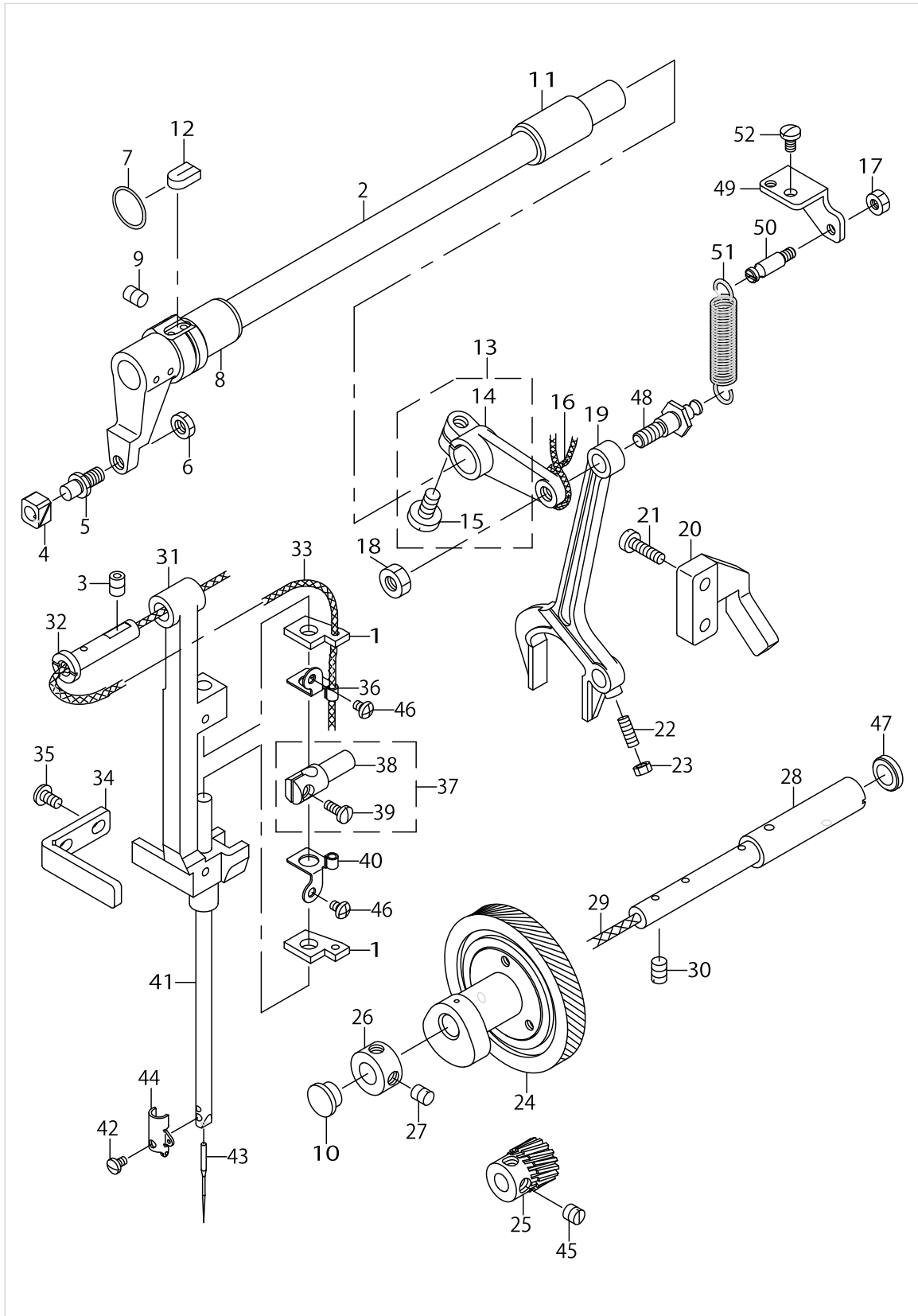
# NEEDLE BAR ROCKING COMPONENTS



NEEDLE BAR ROCKING COMPONENTS

No.	Supply Code	Parts No.	Replacement	Parts name	Remarks	Choice	Step	Level	Cons	Qty	Rep. QTY
1		B1406761000		OIL FELT, FOR NEEDLE BAR						2	
2		B14117710A0		FRAME ROCK SHAF- T CRANK ASM., F						1	
3		SS8150822TP		SCREW 15/64-28 L=8						1	
4		B1414232000		SQUARE BLOCK						1	
5		B1410771000		STUD						1	
6		NS6150310SP		NUT 15/64-28						1	
7		RO148240200		RUBBER RING						1	
8	R	B1452771000	40009082	BUSHING						1	1.00
9		SS8150822TP		SCREW 15/64-28 L=8						1	
10		TA1050504R0		RUBBER PLUG						1	
11		11211000		ROCK SHAFT BUSHING, FRONT						1	
12		B3541012000		OIL WICK						1	
13	R	B14147710A0	40009101	FRAME ROCK SHAF- T CRANK ASM., R						1	1.00
14		B1414771000		NEEDLE BAR CRANK, REAR				*		1	
15		SS7151210SP		SCREW 15/64-28 L=12				*		1	
16		CQ202000000		OIL WICK						.4	
17		NS6110420SP		NUT 11/64-40						1	
18		NS6160520SP		NUT 1/4-24						1	
19		B1415761000		NEEDLE BAR PITMAN						1	
20		B1416761000		ROCK SHAFT CONNECTION GUIDE						1	
21		SS6111620SP		SCREW 11/64-40 L=16.0						2	
22		SS8111251SP		SCREW 11/64-40 L=12.0						1	
23		NS6110310SP		NUT 11/64-40						1	
24	D	14506356		NEEDLE ROD ROCK- ING CAM COMPL.						1	
25	D	B1446761A00		NEEDLE THROW PE- POSITIONING PIN	SELECTIVE PART					1	
26		CS0951019SH		THRUST COLLAR D=9.53 W=10						1	
27		SS8150710TP		SCREW 15/64-28 L=7						2	
28		14506208		NEEDLE BAR ROCK- ING CAM SHAFT						1	
29		CQ202000000		OIL WICK						.18	
30		SS8150920SP		SET-SCREW						1	
31	R	B1403771000	40009073	NEEDLE BAR FRAME						1	1.00
32		B1404771000		HINGE STUD						1	
33		CQ252000000		OIL WICK						.26	
34	R	B1405771000	40009075	POSITION BRACKET						1	1.00
35		SS5110810SP		SCREW 11/64-40 L=8						2	
36	R	B1407761000	40009085	OIL FELT						1	1.00
37		B14027610A0		NEEDLE BAR CONNECTION						1	
38	R	B1402761000	B14027610A0	NEEDLE BAR CONNECTION				*		1	1.00
39		SS7090910TP		SCREW 9/64-40 L= 8.5				*		1	
40	R	B1408761000	40009086	OIL FELT RETAINER, LOWER						1	1.00
41	R	B1401761000	40009083	NEEDLE BAR						1	1.00
42		SS7080510TP		SCREW 1/8-44 L=4.5						1	
43		MDP5J0B1100		NEEDLE DPX5 #11J						1	
44		B145177100A		NEEDLE BAR THREAD GUIDE						1	

# NEEDLE BAR ROCKING COMPONENTS

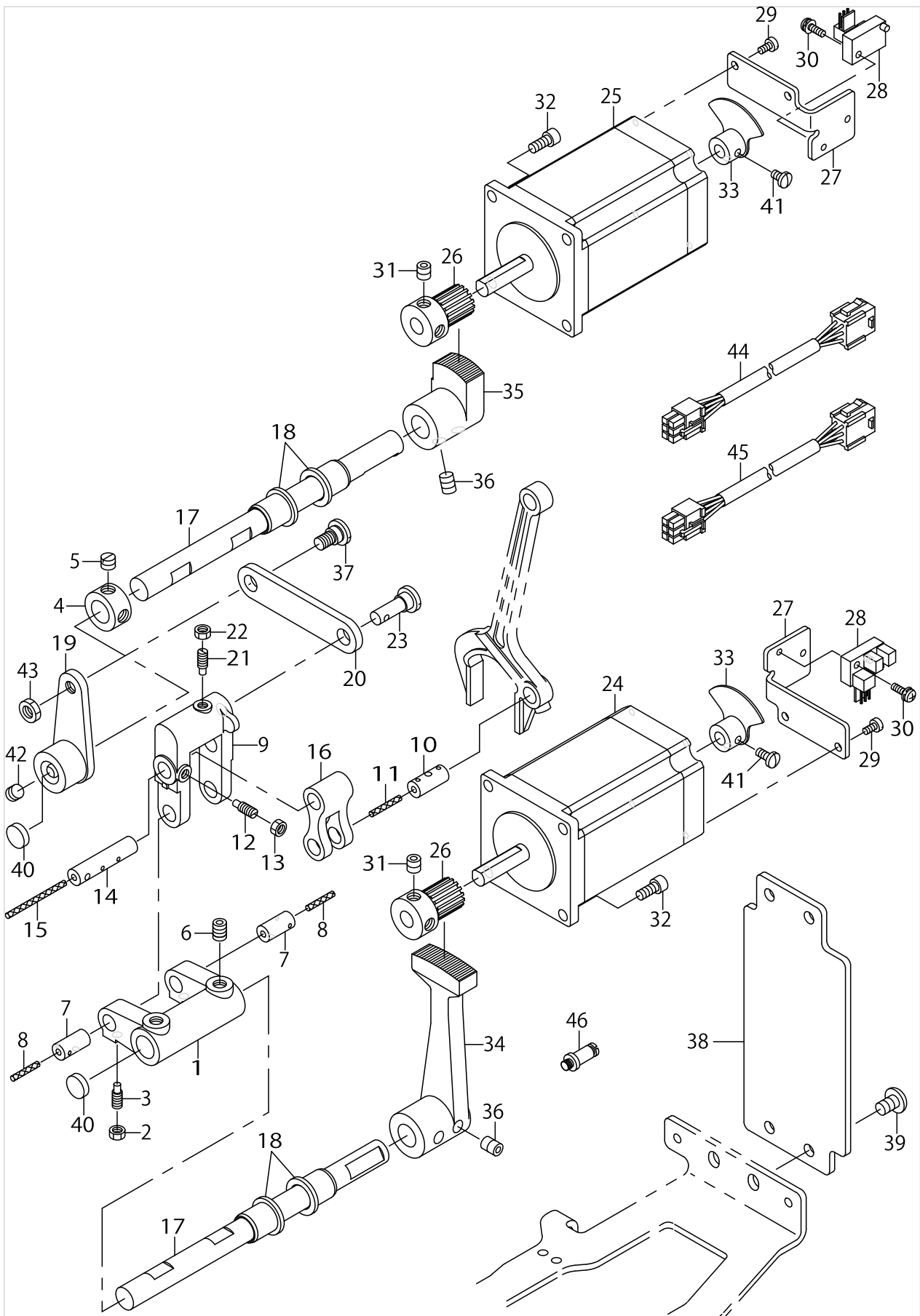


NEEDLE BAR ROCKING COMPONENTS

No.	Supply Code	Parts No.	Replacement	Parts name	Remarks	Choice	Step	Level	Cons	Qty	Rep. QTY
45		SS8660610TP		SCREW 1/4-40 L=6						2	
46		SS4090515SP		SCREW 9/64-40 L=5						2	
47		TA1450302R0		RUBBER PLUG						1	
48		14517007		ROCKING ROD SHAFT						1	
49		14517106		SPRING FITTING BASE						1	
50		14517205		ROCKING ROD SPRING FITTING						1	
51		14517304		ROCKING ROD SPRING						1	
52		SS7110740TP		SCREW 11/64-40 L=7						1	



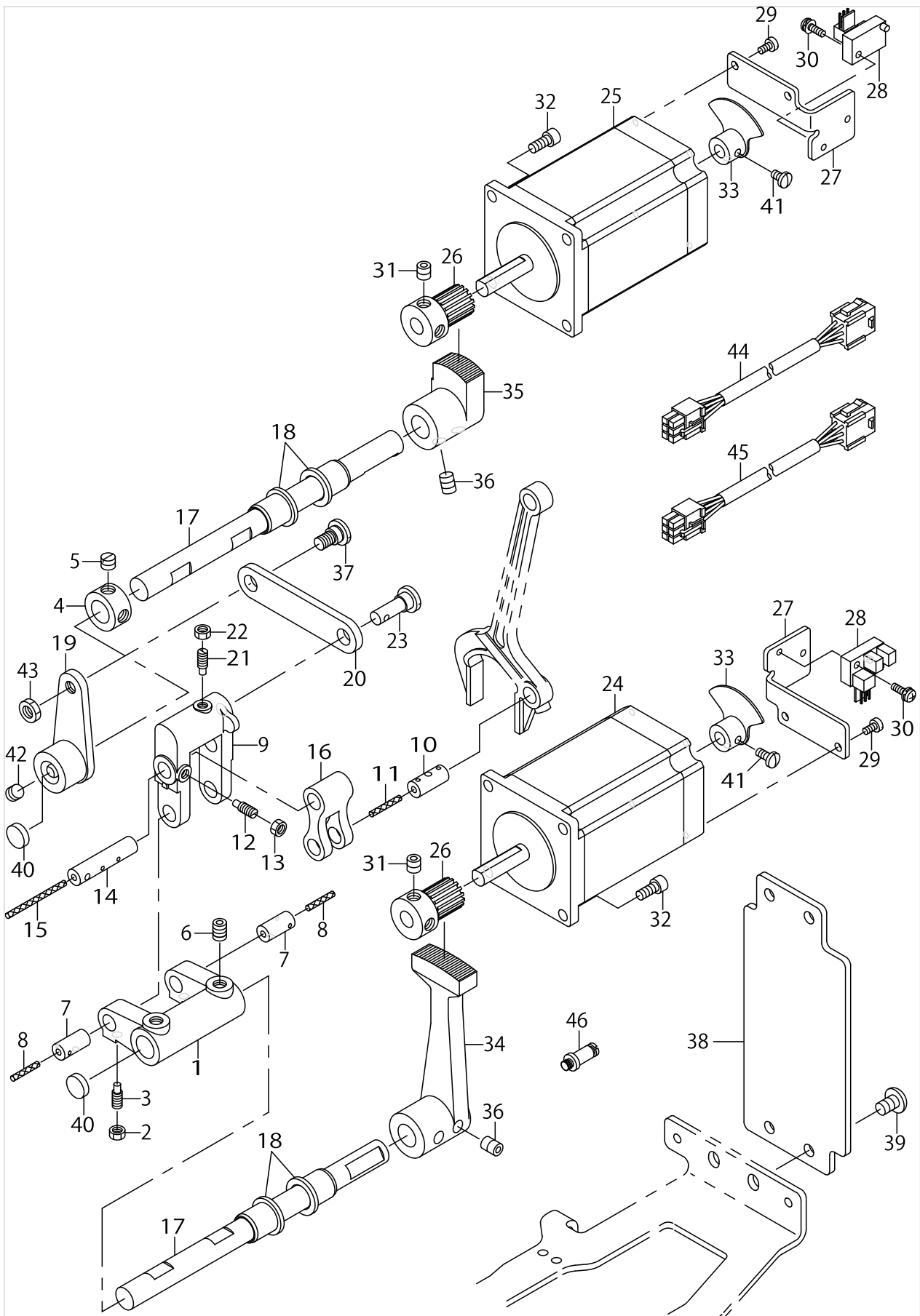
LINKING WIDTH COMPONENTS



LINKING WIDTH COMPONENTS

No.	Supply Code	Parts No.	Replacement	Parts name	Remarks	Choice	Step	Level	Cons	Qty	Rep. QTY
1		B1425771000		BEARING BRACKET						1	
2		NS6110310SP		NUT 11/64-40						2	
3		SS8111251SP		SCREW 11/64-40 L=12.0						2	
4		CS1111019SH		THRUST COLLAR D=11.11 W=10						1	
5		SS8660530TP		SCREW 1/4-40 L= 4.5						2	
6		SS8150822TP		SCREW 15/64-28 L=8						2	
7	R	B1421761000	40009105	CONNECTING PIN						2	1.00
8		CQ252000000		OIL WICK						.04	
9		14506406		ZIGZAG WIDTH CHANGE LINK						1	
10	R	B1418761000	40009103	CONNECTING FORKED LINK PIN						1	1.00
11		CQ252000000		OIL WICK						.02	
12		SS8111251SP		SCREW 11/64-40 L=12.0						2	
13		NS6110310SP		NUT 11/64-40						2	
14		B1419761000		CONNECTING STUD						1	
15		CQ252000000		OIL WICK						.04	
16	R	B1417761000	26100008	CONNECTING FORKED LINK						1	1.00
17		14506505		NEEDLE POSITION CHANGE SHAFT						2	
18		14507404		CHANGE SHAFT BUSHING						4	
19	D	14506653		ZIGZAG WIDTH ADJ- UST ARM COMPL.						1	
20		14506802		ZIGZAG WIDTH ADJUST ROD						1	
21		SS8111251SP		SCREW 11/64-40 L=12.0						1	
22		NS6110310SP		NUT 11/64-40						1	
23	R	B1433761000	40009106	REGULATING HINGE PIN						1	1.00
24		14506901		NEEDLE POSITION STEPPING MOTOR						1	
25	D	14507800		ZIGZAG WIDTH STEPPING MOTOR						1	
26	R	14110407	26501502	LENGTHWISE FEED GEAR						2	1.00
27		14507008		SENSOR FITTING PLATE						2	
28		HD00057000A		PHOTO SENSOR						2	
29		SM6030600SP		SCREW M3X0.5 L=6						4	
30		SL4031091SC		SCREW M3 X 10						4	
31		SM8060602TP		SCREW M6X6						4	
32		SS6111052TP		SCREW						6	
33		14507156		DETECTION PLATE ASM.						2	
34	D	14507602		NEEDLE POSITION STEP MOTOR ARM						1	
35	D	14507701		ZIGZAG WIDTH STEP MOTOR ARM						1	
36		SS8150822TP		SCREW 15/64-28 L=8						4	
37		SD0790402TP		HINGE SCREW D= 7.94 H= 4						1	
38		14507305		SENSOR COVER						1	
39		SS4150915SP		SCREW 15/64-28 L=9						4	
40		B2015357000		PLUG						2	
41		SS7090620TP		SCREW 9/64-40 L=6.1						4	
42		SS8660530TP		SCREW 1/4-40 L= 4.5						2	
43		NS6150310SP		NUT 15/64-28						1	
44		M85036000A0		STITCH WIDTH MOTOR CORD ASM.						1	

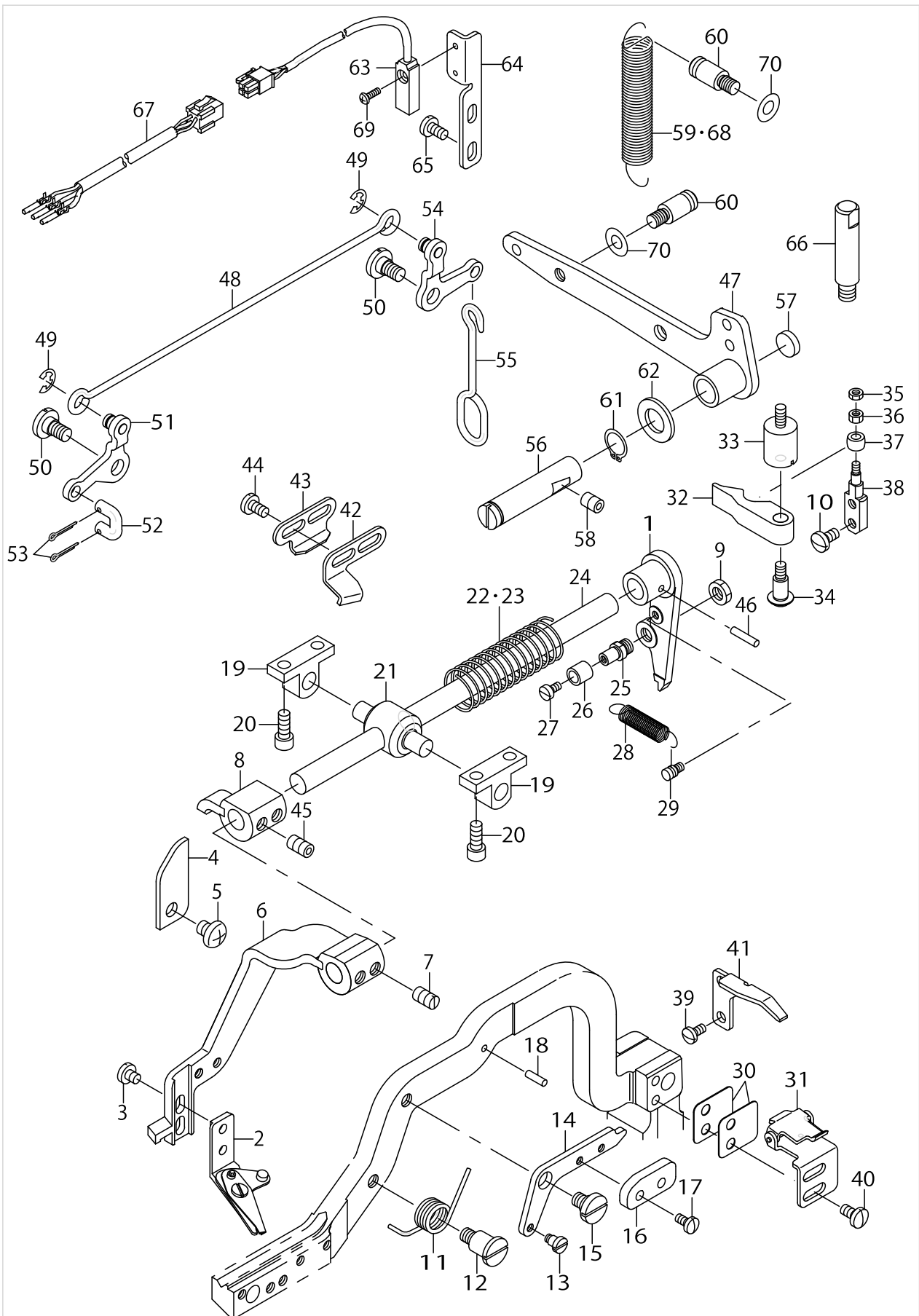
LINKING WIDTH COMPONENTS



LINKING WIDTH COMPONENTS

No.	Supply Code	Parts No.	Replacement	Parts name	Remarks	Choice	Step	Level	Cons	Qty	Rep. QTY
45		M85046000A0		STITCH BASE LINE CORD ASM.						1	
46		B3413227000		SPRINGSUSPENSION						1	

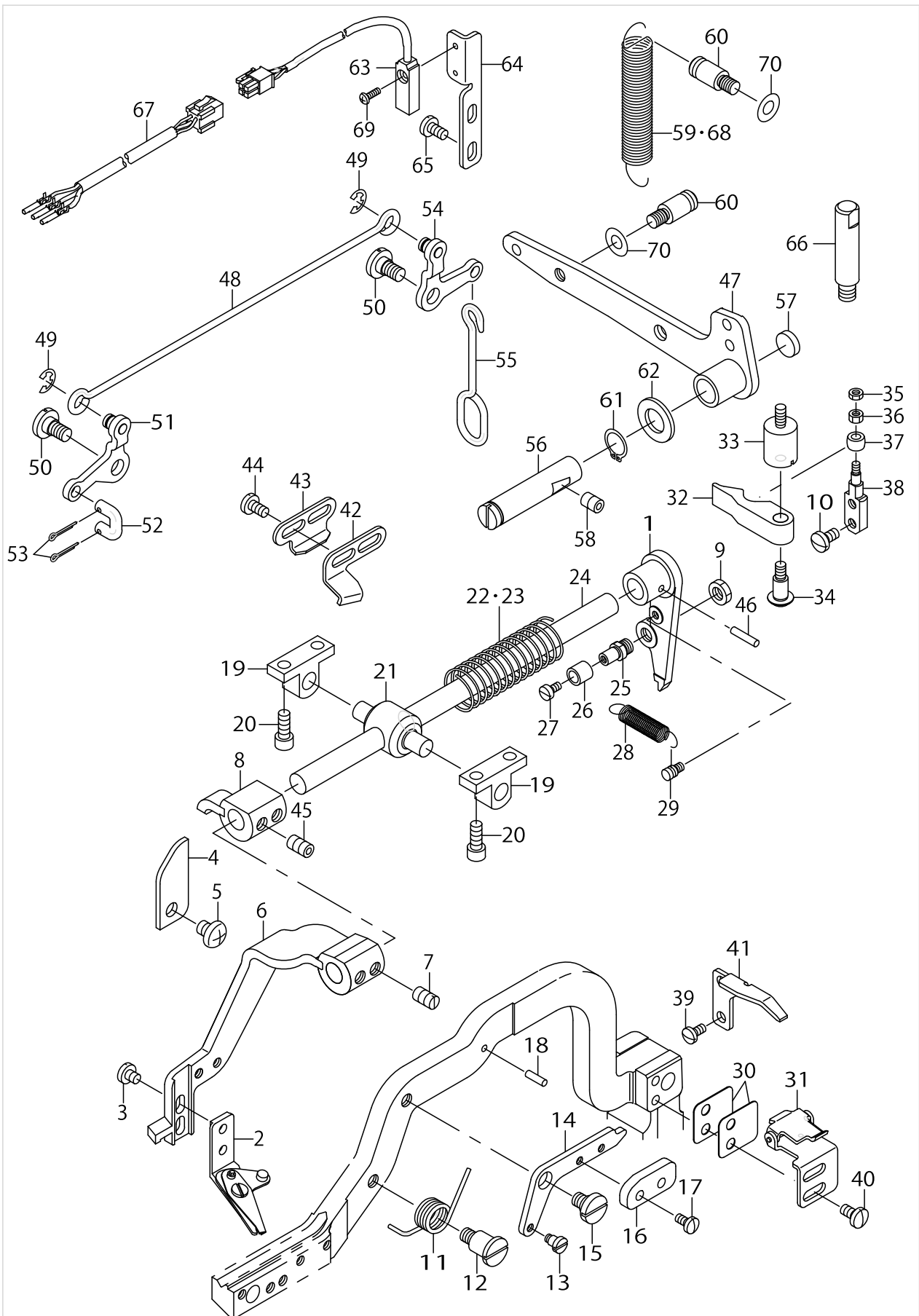
NEEDLE THREAD TRIMMER COMPONENTS



NEEDLE THREAD TRIMMER COMPONENTS

No.	Supply Code	Parts No.	Replacement	Parts name	Remarks	Choice	Step	Level	Cons	Qty	Rep. QTY
1	R	B2013771000	40009194	CRANK,REAR						1	1.00
2		B20017710A0		NEEDLE THREAD TRIMMER ASM.						1	
3		SS7110510SP		SCREW 11/64-40 L=5						2	
4	R	B2008771000	40009179	NEEDLE THREAD T-RIMMER SHAFT GU						1	1.00
5		SS4150715SP		SCREW 15/64-28 L=7						1	
6	R	B20637810A0A	40009170	NEEDLE THREAD TRIMMER LEVER						1	1.00
7		SM8061002TP		SCREW M6 L=10						2	
8	R	B20517810A0A	40009160	ACTUATING ARM						1	1.00
9		NS6150310SP		NUT 15/64-28						1	
10		SS7110840SP		SCREW 11/64-40 L=7.8						2	
11	R	B2061781000	40009168	DRIVING CAM SPRING						1	1.00
12	R	B2062781000	40009169	DRIVING CAM SPRING AXLE						1	1.00
13		SD0450401SP		HINGE SCREW D= 4.5 H= 4						1	
14	R	B2059781000	40008608	DRIVING CAM INSTALLING PLATE						1	1.00
15		SD0790303SP		HINGE SCREW D= 7.94 H= 3.0						1	
16	R	B2060781000	40009167	DRIVING CAM						1	1.00
17		SS7090710SP		SCREW 9/64-40 L= 6.8						2	
18		PS0300102K0		SPRING PIN 3.0X10						1	
19		B2010771000		BRACKET						2	
20		SS6621212TP		SCREW 3/16-32 L=12.0						4	
21	R	B2009771000	40009330	UNIVERSAL JOINT						1	1.00
22		B2053781000		THREAD TRIMMER SPRING B	FOR 170**A					1	
23		B2012771000		PRESSURE SPRING	FOR 170**B,170**C					1	
24	R	B2007771000	40009193	NEEDLE THREAD TRIMMER SHAFT						1	1.00
25	R	B2014771000	40009195	STUD						1	1.00
26	R	B2507372000	26023200	CAM ROLL						1	1.00
27		SS6080610TP		SCREW 1/8-44 L=6						1	
28		13796305		SPRING						1	
29	R	B2024771000	40009196	SUSPENSION SCREW						1	1.00
30	R	B2023761000	40009191	SPACER						2	1.00
31	R	B20177710A0	40009181	LOCKING BRACKET LATCH ASM.						1	1.00
32		B2030771000		THREAD TRIMMING SHAFT SEGMENT						1	
33	R	B8404352000	40101368	BELT COVER SUPPORT STUD						1	1.00
34		SD0641003SP		HINGE SCREW D=6.35 H=10						1	
35		NS6080210SP		NUT 1/8-44						1	
36		NS6080340SP		NUT 1/8-44						1	
37	R	B2031771000	40009188	ROLLER						1	1.00
38		B2032771000		STUD						1	
39		SS7090710SP		SCREW 9/64-40 L= 6.8						2	
40		SS7110840SP		SCREW 11/64-40 L=7.8						2	
41	R	B2027771000	40009186	LATCHPRESSERARM						1	1.00
42	R	B202077100A	40009190	NEEDLE THREAD T-RIMMER GUIDE (A						1	1.00
43	R	B202077100B	40009178	NEEDLE THREAD T-RIMMER GUIDE (B						1	1.00
44		SS7110840SP		SCREW 11/64-40 L=7.8						1	
45		SM8061002TP		SCREW M6 L=10						2	

NEEDLE THREAD TRIMMER COMPONENTS

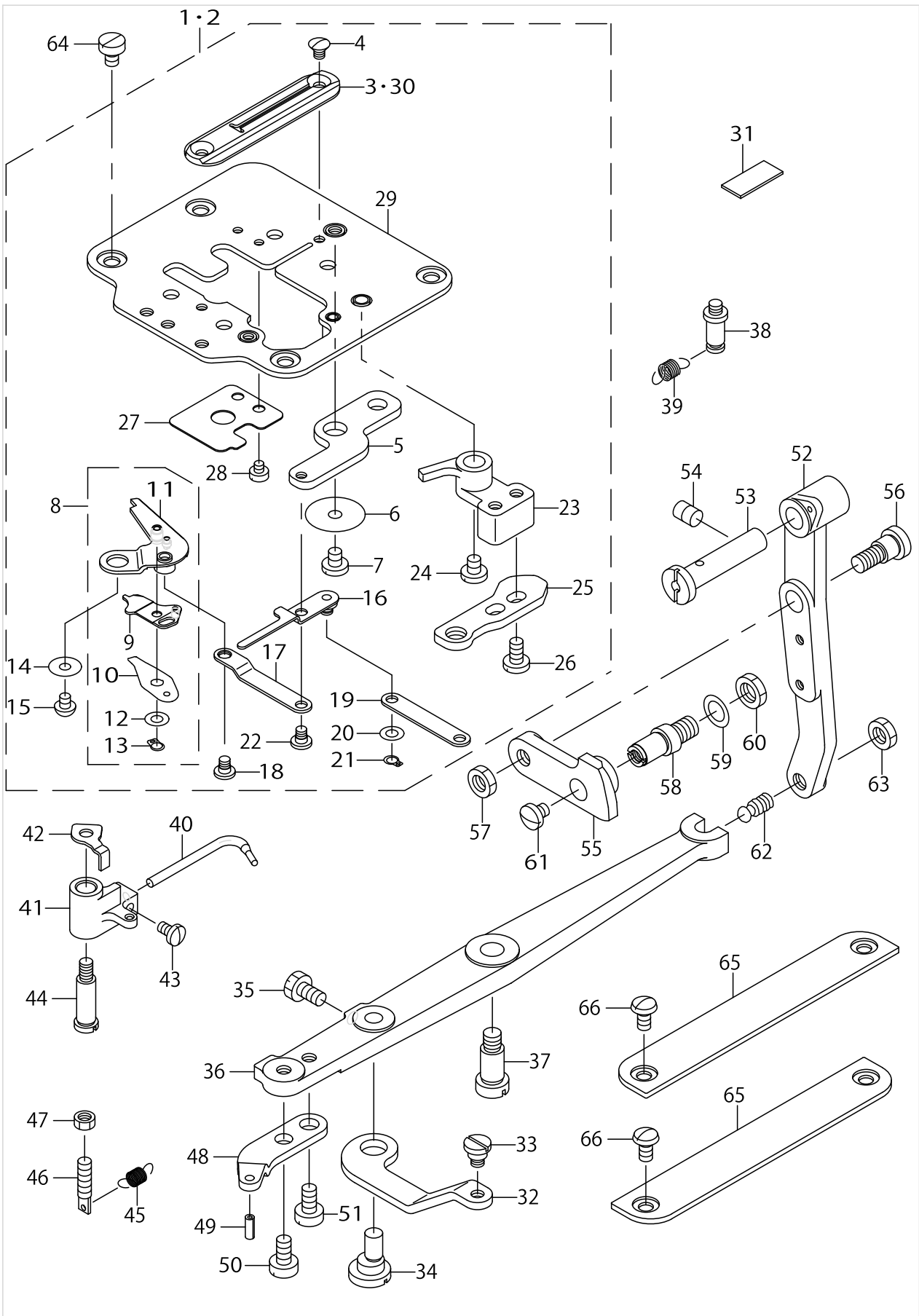


NEEDLE THREAD TRIMMER COMPONENTS

No.	Supply Code	Parts No.	Replacement	Parts name	Remarks	Choice	Step	Level	Cons	Qty	Rep. QTY
46		PT0301400S0		TAPERED PIN 3X14						1	
47	R	B34057710A0	26106658	PRESSER BAR LIFT- ING LEVER ASM.						1	1.00
48		B3404771000		PRESSER BAR LIFT- ING ROD, LONG						1	
49		RE0500000K0		E-RING						2	
50		SD0720331SP		HINGE SCREW D= 7.24 H= 3.3						2	
51		B34027710A0		LEVER ASM, FRONT						1	
52		B3406761000		LINK						1	
53		PD02010000D		SPLIT PIN 1.8X10						2	
54		B34087710A0		LEVER ASM, REAR						1	
55		B3403761000		PRESSER BAR LIFTING ROD						1	
56	R	B2605771000	40009261	TRIPPING LEVER HINGE PIN						1	1.00
57		B2015357000		PLUG						1	
58		SS8150822TP		SCREW 15/64-28 L=8						1	
59		G5214164000		SPRING	FOR 170**A					1	
60	R	B2714761000	26212308	SPRING RACK						2	1.00
61		RC1021011KP		RETAINING RING 10.2						1	
62	R	11823200	40009262	WASHER						1	1.00
63	D	14512651		PRESSER LOWERING SENSOR ASM.	FOR 170**B,170**C					1	
64		14512701		FALL SENSOR FITTING PLATE	FOR 170**B,170**C					1	
65		SS7110840SP		SCREW 11/64-40 L=7.8	FOR 170**B,170**C					2	
66	D	13700802		BED SCREW STUD, SMALL						1	
67		M85116000A0		PRESSER DOWN CORD ASM.	FOR 170**B,170**C					1	
68		14514517		PRESSER LIFTER LEVER SPRING	FOR 170**B					1	
69		SM4860801SC		SCREW M2.6 L=8	FOR 170**B,170**C					1	
70		WP0621016SD		WASHER 6.2X13X1						2	



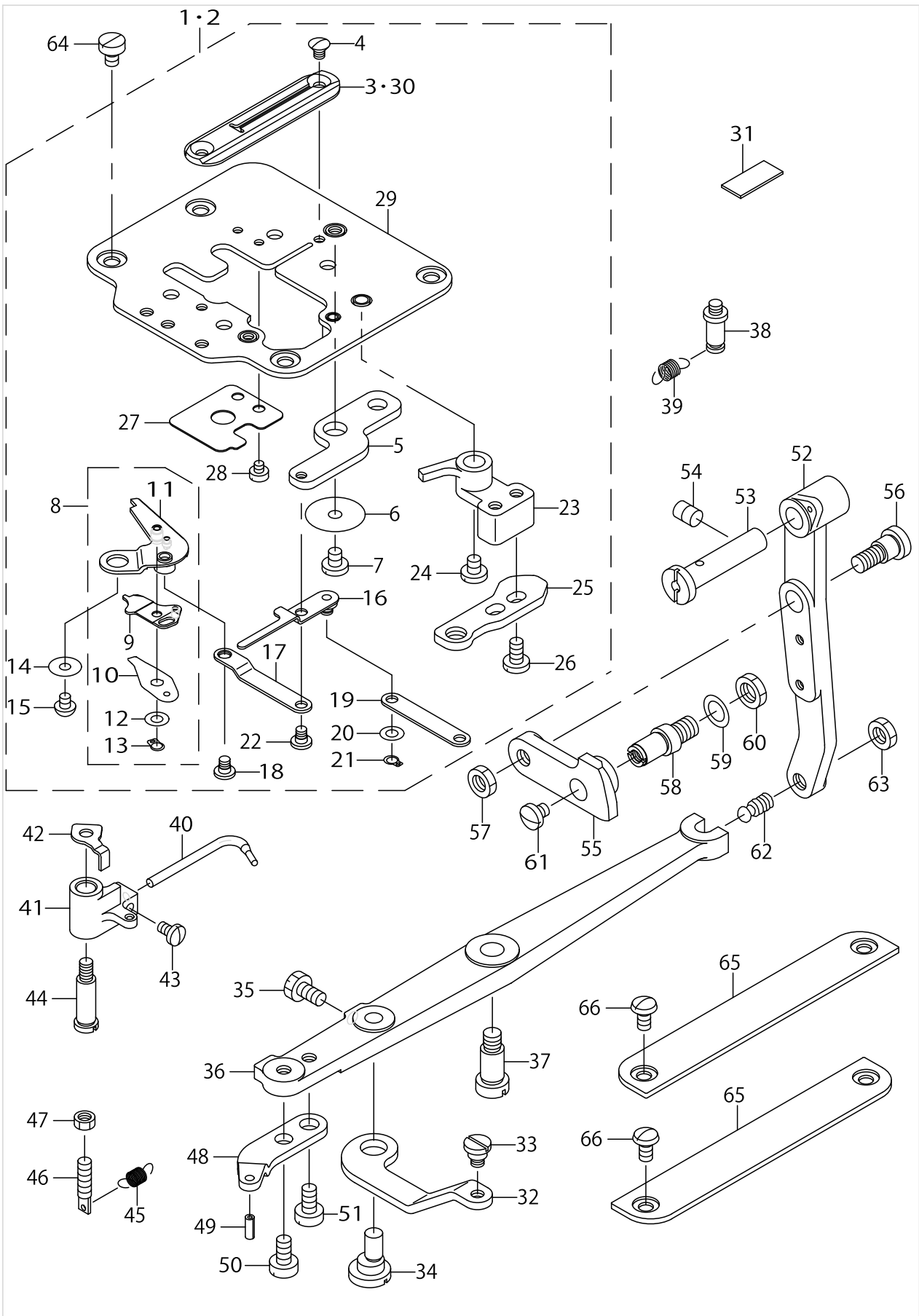
BOBBIN THREAD TRIMMER COMPONENTS



BOBBIN THREAD TRIMMER COMPONENTS

No.	Supply Code	Parts No.	Replacement	Parts name	Remarks	Choice	Step	Level	Cons	Qty	Rep. QTY
1	D	14507966		THROAT PLATE BASE COMPL.	FOR 170*S*					1	
2	D	14509053		THROAT PLATE COMBINATION K	FOR 170*K*					1	
3		13739107		THROAT PLATE	FOR 170*S*			*		1	
4		SS2090510SP		SCREW 9/64-40 L=5				*		2	
5		13736202		BOBBIN THREAD TRIMMER LEVER				*		1	
6		WP0451016SP		WASHER 4.5X20X1				*		1	
7		SS7110570SP		SCREW 11/64-40 L= 4.8				*		1	
8		13947866		BOBBIN THREAD T-RIMMER CONNEC.				*		1	
9		13735956		TRIMMER, UPPER ASM.				*		1	
10		13736103		SPRING				*		1	
11		13947858		TRIMMER, LOWER ASM.				*		1	
12		RC0370411KP		RETAINING RING				*		1	
13		WP0410846SC		WASHER				*		1	
14		B242328000A		MOVING KNIFE WASHER A				*		1	
15		SS3090410SP		SCREW				*		1	
16		13736350		BOBBIN THREAD PULLER ASM.				*		1	
17		13735808		LOWER LINK				*		1	
18		SD0400191TP		HINGE SCREW D=4 H=1.9				*		1	
19		13736509		BOBBIN THREAD PULLER LINK				*		1	
20		WP0410846SC		WASHER				*		2	
21		RC0370411KP		RETAINING RING				*		2	
22		SD0400191TP		HINGE SCREW D=4 H=1.9				*		1	
23		14508105		KNIFE ACTUATING PLATE				*		1	
24		SS7110570SP		SCREW 11/64-40 L= 4.8				*		1	
25	D	14508204		KNIFE ACTUATING CAM				*		1	
26		SS7110840SP		SCREW 11/64-40 L=7.8				*		2	
27		13948005		BOBBIN THREAD CLAMP PLATE				*		1	
28		SS6080320SP		SCREW 1/8-44 L= 2.5				*		2	
29		14507958		THROAT PLATE BASE ASM.				*		1	
30		13782305		NEEDLE PLATE K	FOR 170*K*			*		1	
31		14506109		FEED PLATE GUIDE						4	
32		14508303		BOBBIN THREAD TRIMMER LINK						1	
33		SD0640321SP		HINGE SCREW D= 6.35 H= 3.2						1	
34		13737408		LINK ROD						1	
35		SS9120910TP		SCREW 3/16-28 L=9						1	
36	D	14508402		BOBBIN THREAD TRIMMER LEVER						1	
37		SD0791271SP		HINGE SCREW D= 7.94 H=12.7						1	
38		B3413227000		SPRINGSUSPENSION						1	
39	D	14508501		ACTUATING SPRING						1	
40	R	B2421771000	40009215	BOBBIN WINDER TRIP LATCH						1	1.00
41	D	14508600		BOBBIN WINDER TRIP LATCH ARM						1	
42	R	B2424771000A	40009218	HOOK THREAD PRESSER STOPPER						1	1.00
43		SS7090620TP		SCREW 9/64-40 L=6.1						1	
44	R	B2423771000	40009217	BOBBIN PICKER BRACKET SHAFT						1	1.00
45		14508808		BOBBIN PICKER SPRING						1	

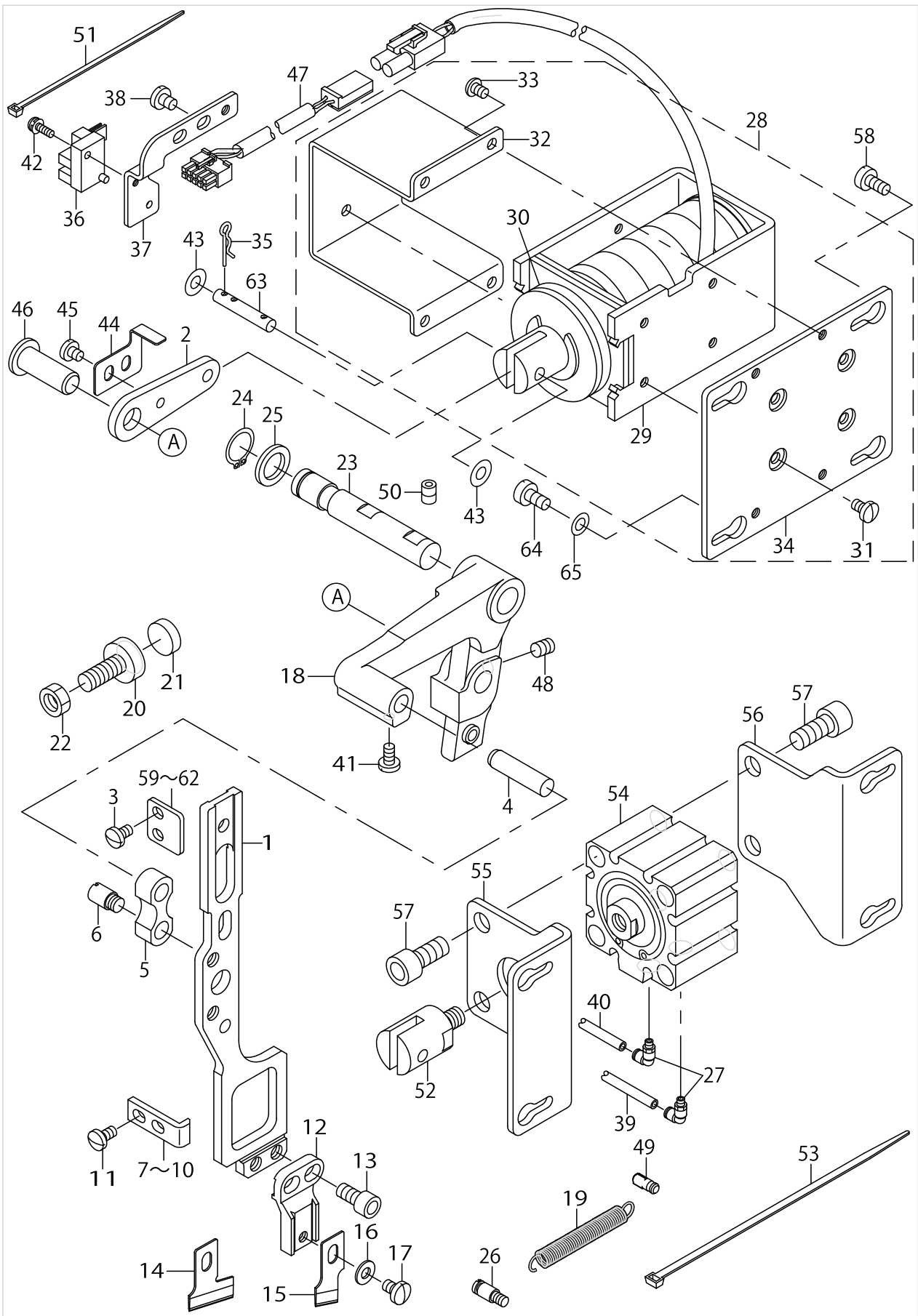
BOBBIN THREAD TRIMMER COMPONENTS



BOBBIN THREAD TRIMMER COMPONENTS

No.	Supply Code	Parts No.	Replacement	Parts name	Remarks	Choice	Step	Level	Cons	Qty	Rep. QTY
46		B2561205000A		SCREW						1	
47		NS6110310SP		NUT 11/64-40						1	
48	D	14508709		BOBBIN PRESSER LEVER						1	
49		PS0300082KH		SPRING PIN 3X8						1	
50		SS6120940SP		SCREW 3/16-28 L=9						1	
51	R	SS6120930SP	SS6120930TP	SCREW 3/16-28 L=9						1	1.00
52	R	B2411771000	40009209	BOBBIN THREAD T-RIMMER DRIVING						1	1.00
53		B2416761000		HING STUD						1	
54		SS8150822TP		SCREW 15/64-28 L=8						1	
55	R	B2413771000	40009211	CONNECTING LINK						1	1.00
56		SD0790641SP		HINGE SCREW D= 7.94 H= 6.4						1	
57		NS6150310SP		NUT 15/64-28						1	
58		B2414761000		STOP SCREW						1	
59		WP0740516SP		WASHER 7.4X11.8X0.5						1	
60		NS6680320SP		NUT 9/32-28						1	
61		SS7110570SP		SCREW 11/64-40 L= 4.8						1	
62		B2412047000		BALL SCREW						1	
63		NS6150310SP		NUT 15/64-28						1	
64		SS6110610TP		SCREW 11/64-40 L=6						4	
65	D	14509202		THROAT PLATE BASE COVER						2	
66		SS5110810SP		SCREW 11/64-40 L=8						4	

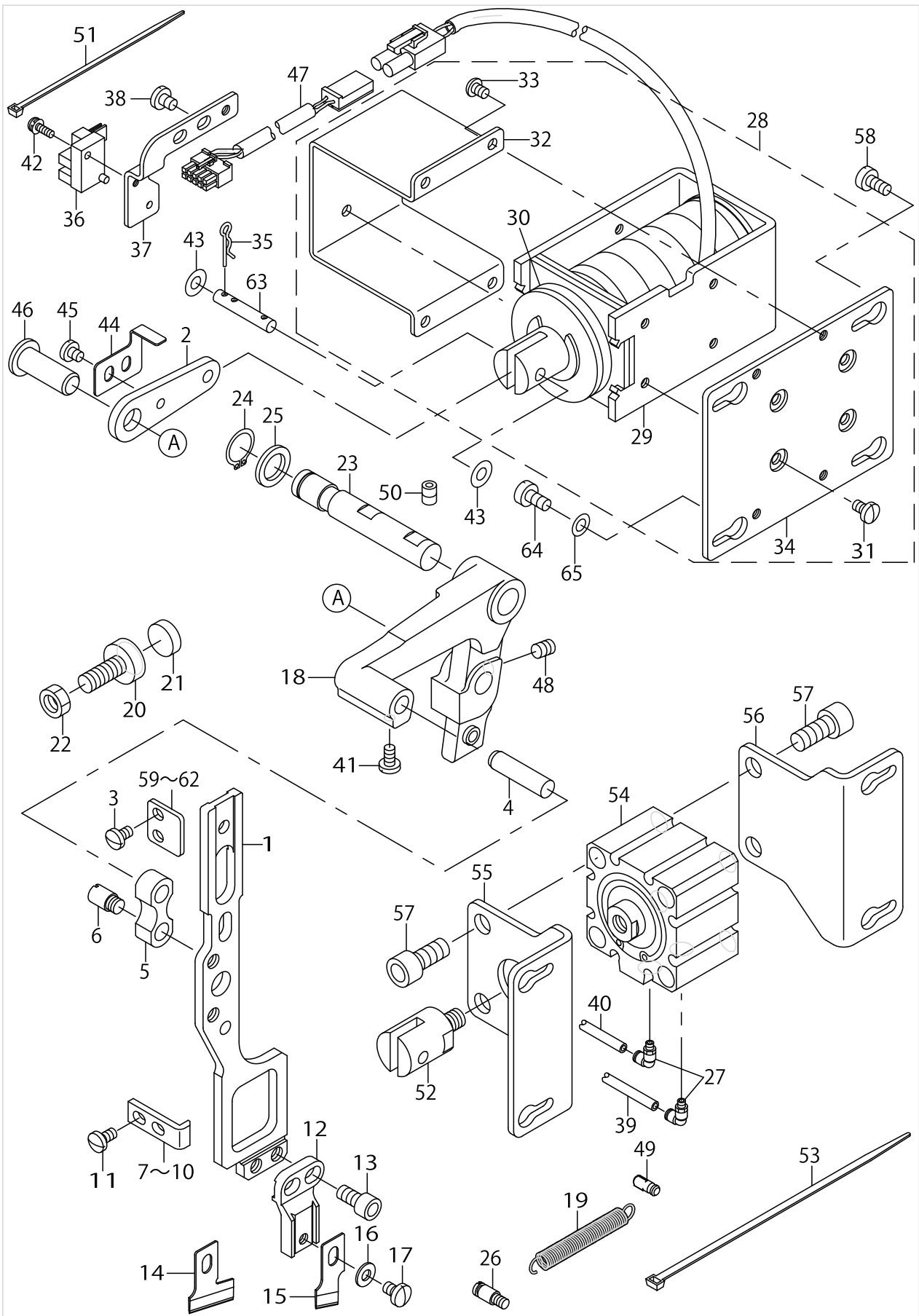
CLOTH CUTTING KNIFE COMPONENTS



CLOTH CUTTING KNIFE COMPONENTS

No.	Supply Code	Parts No.	Replacement	Parts name	Remarks	Choice	Step	Level	Cons	Qty	Rep. QTY
1	D	14510408		KNIFE BAR						1	
2	D	14509905		SOLENOID LINK						1	
3		SS7110710SP		SCREW 11/64-40 L=7						2	
4	R	B2707761000	40009290	HINGE STUD						1	1.00
5		B2706761000		KNIFE BAR CONNECTING LINK						1	
6		14509608		KNIFE BAR LINK SHAFT						1	
7	R	B2704761A00	40009284	KNIFE STUD RETAINER (B)	SELECTIVE PART					1	1.00
8	R	B2704761B00	40009285	KNIFE BAR POSITI- ONING BRACKET	SELECTIVE PART					1	1.00
9	R	B2704761C00	40009286	KNIFE BAR POSITI- ONING BRACKET	SELECTIVE PART					1	1.00
10	D	B2704761D00		KNIFE BAR PRESSER T=0.08	SELECTIVE PART					1	
11		SS7110840SP		SCREW 11/64-40 L=7.8						2	
12		B2701761000		KNIFE HOLDER						1	
13		SM6061202TP		SCREW M6 L=12						2	
14		B2702047Q00A		KNIFE 1	FOR 1702					1	
15		B2702047L00A		KNIFE 1/2	FOR 1700					1	
16		WP0501016SD		WASHER 5X10.5X1						1	
17		SS7620750SP		SCREW 3/16-32L=6.5						1	
18	D	14509707		KNIFEDRIVINGLEVER						1	
19	R	14517700	14517718	KNIFE BAR DRIVING SPRING						1	1.00
20	R	B2752781000	40009265	KNIFE BAR DRIVING STOP SCREW						1	1.00
21	R	B2753781000	40009266	KNIFE BAR DRIVING STOPPER						1	1.00
22		NS6200520SP		NUT 5/16-18						1	
23	D	14509806		KNIFE DRIVING LEVER SHAFT						1	
24		RC1200001KP		C-SHAPED SNAP RING						1	
25		B182024600B		WASHER B						1	
26		10120004		SPRINGSUSPENSION						1	
27		PJ304045108		ELBOW UNION	FOR 170**C					2	
28		14510085		KNIFE DRIVING SOLENOID COMPL.	FOR 170**A,*B					1	
29		14510077		KNIFE DRIVING SOLENOID ASM.				*		1	
30		14517502		SOLENOID CUSHION	FOR 170**A,*B			*		1	
31		SS7110710SP		SCREW 11/64-40 L=7				*		4	
32		14510911		SOLENOID PROTECT PLATE				*		1	
33		SS4110615SP		SCREW 11/64-40 L=6				*		6	
34		14510119		SOLENOID FITTING PLATE				*		1	
35		B1515210D00		PIN						2	
36		HD00057000A		PHOTO SENSOR						1	
37	D	14510200		SENSOR INSTALLING BASE						1	
38		SS7120640SP		SCREW 3/16-28 L=6						2	
39		BT0400251EB		URETHANE HOSE, BLACK	FOR 170**C					.8	
40		BT0400251EA		TUBE HOSE, BLUE	FOR 170**C					.8	
41		SS7110810SP		SCREW 11/64-40 L= 8.0						1	
42		SL4031091SC		SCREW M3 X 10						1	
43		WP0560860SE		WASHER 5.6X12X0.8						2	
44	D	14510309		ORIGIN DETECTION PLATE						1	
45		SS7110510SP		SCREW 11/64-40 L=5						1	

CLOTH CUTTING KNIFE COMPONENTS

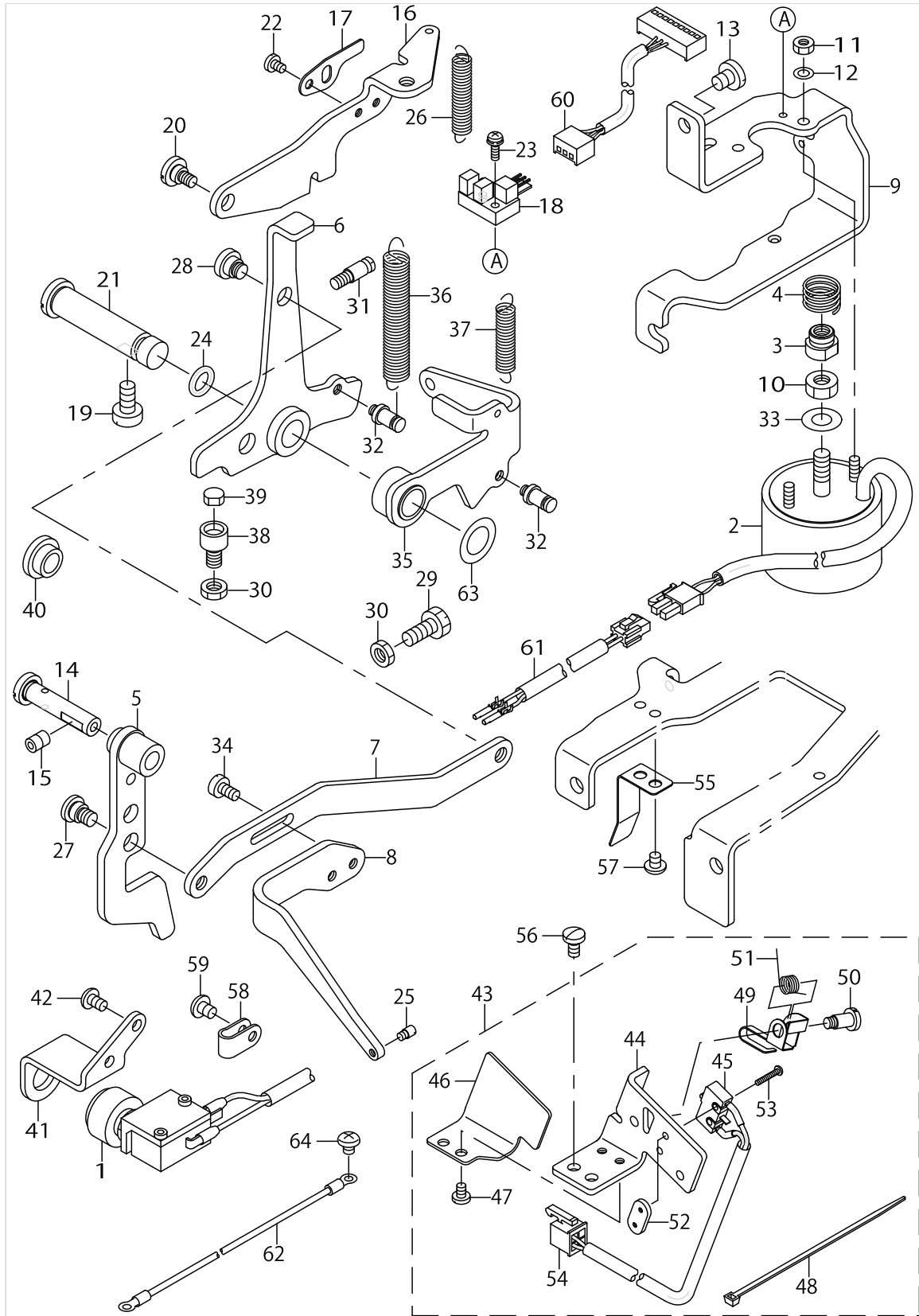


CLOTH CUTTING KNIFE COMPONENTS

No.	Supply Code	Parts No.	Replacement	Parts name	Remarks	Choice	Step	Level	Cons	Qty	Rep. QTY
46		13747001		BELL CRANK SHAFT						1	
47	D	M85136000A0A		CLOTH CUTTING K-NIFE CORD ASM.	FOR 170**A,*B					1	
48		SS8150822TP		SCREW 15/64-28 L=8						1	
49		13738802		SUSPENSION SCREW						1	
50		SS8150822TP		SCREW 15/64-28 L=8						2	
51		EA9500B0100		CABLE BAND						1	
52		14510705		CYLINDER CONNECTING SHAFT	FOR 170**C					1	
53		EA9500B0200		CABLE BAND 150						1	
54		PA400100100		AIR CYLINDER	FOR 170**C					1	
55		14510507		CYLINDER FITTING BASE, FRONT	FOR 170**C					1	
56		14510606		CYLINDER FITTING BASE, REAR	FOR 170**C					1	
57		SM6081802TP		SCREW	FOR 170**C					4	
58		SS6121050SP		SCREW 3/16-28 L=9.5						2	
59		14509509		KNIFE BAR GUIDE PLATE	SELECTIVE PART					1	
60	D	14509400		KNIFE ROD GUIDE PLATE A	SELECTIVE PART					1	
61	D	14509301		KNIFE ROD GUIDE PLATE B	SELECTIVE PART					1	
62	D	14511000		KNIFE ROD GUIDE PLATE C	SELECTIVE PART					1	
63		B1513210D00		MAGNET PIN						1	
64		SS6121010SP		SCREW 3/16-28 L=10						2	
65		WP0550800SP		WASHER 5.5X10X0.8						2	



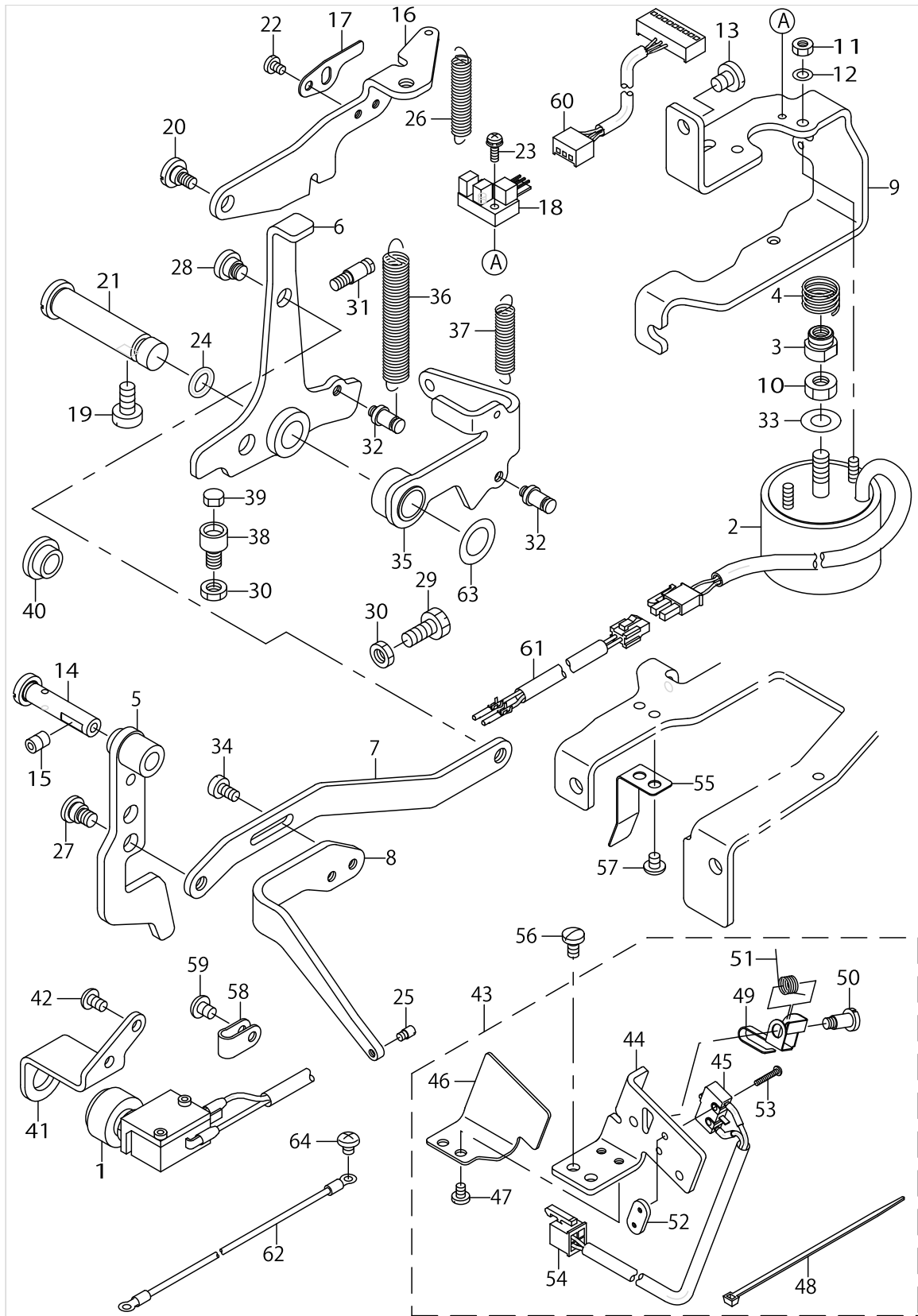
# STARTING SAFETY COMPONENTS



STARTING SAFETY COMPONENTS

No.	Supply Code	Parts No.	Replacement	Parts name	Remarks	Choice	Step	Level	Cons	Qty	Rep. QTY
1		14511158		TEMPORARY STOP SWITCH ASM.						1	
2	D	14513055		STOP-MOTION SOLENOID ASM.	FOR 170**A					1	
3		13775606		STOP-MOTION BAR	FOR 170**A					1	
4		13775705		SPRING	FOR 170**A					1	
5	D	B26207710A0A		STARTING LINK ASM.	FOR 170**A					1	
6		14511356		STARTING SAFETY HOOK ASM.	FOR 170**A					1	
7	D	14511505		STARTING SAFETY ARM ROD	FOR 170**A					1	
8	D	14511604		NEEDLE THREAD T-RIM REST LEVER	FOR 170**A					1	
9	D	14511703		STARTING SAFETY SOLENOID BASE	FOR 170**A					1	
10		NS6660511SP		NUT 1/4	FOR 170**A					1	
11		NM6040001SE		NUT M4	FOR 170**A					2	
12		WP0450000SD		WASHER 4.5X8X0.5	FOR 170**A					2	
13		SS7150740SP		SCREW 15/64-28 L=7	FOR 170**A					2	
14		B2416761000		HING STUD	FOR 170**A					1	
15		SS8150822TP		SCREW 15/64-28 L=8	FOR 170**A					1	
16		14511802		START SAFETY LEVER	FOR 170**A					1	
17		14511901		START SENSOR PLATE	FOR 170**A					1	
18		HD00057000A		PHOTO SENSOR	FOR 170**A					1	
19		SS6151220SP		SCREW 15/64-28 L=11.5	FOR 170**A					1	
20		SD0720321TP		HINGE SCREW	FOR 170**A					1	
21		13722400		PRESSER BAR LEVER SHAFT	FOR 170**A					1	
22		SS7090510SP		SCREW 9/64-40 L=4.6	FOR 170**A					2	
23		SL4031091SC		SCREW M3 X 10	FOR 170**A					1	
24		RO074240100		RUBBER RING	FOR 170**A					1	
25		B1534816000		HINGE SCREW	FOR 170**A					1	
26	R	13521307	26227900	TENSION SPRING	FOR 170**A					1	1.00
27		SD0790431SP		HINGE SCREW D= 7.94 H= 4.3	FOR 170**A					1	
28		SD0800341SP		HINGE SCREW D=8 H=3.4	FOR 170**A					1	
29		SS9151440CP		SCREW 15/64-28 L=14	FOR 170**A					1	
30		NS6150310SP		NUT 15/64-28	FOR 170**A					2	
31		B1631012B00		SUSPENSION STUD B	FOR 170**A					1	
32	R	B3413552000	26229302	SUSPENSION SCREW	FOR 170**A					2	1.00
33		B1116804000		CLOTH PLATE WASHER	FOR 170**A					1	
34		SS6110810TP		SCREW 11/64-40 L=8	FOR 170**A					2	
35	D	14512057		START LEVER ASM.	FOR 170**A					1	
36		B2410980000		TENSION SPRING	FOR 170**A					1	
37		B1626210000		SPRING	FOR 170**A					1	
38	R	B1453761000	40009095	SWINGARMSTOPPER	FOR 170**A					1	1.00
39		B1432761000		SWING ARM STOPPER RUBBER	FOR 170**A					1	
40		TA1250504R0		RUBBER PLUG	FOR 170**B,*C					1	
41	D	14512206		STOP SIGNAL SW FITTING PLATE						1	
42		SS4110715SP		SCREW 11/64-40 L=7						2	
43		14516652		SAFETY SWITCH ASM.						1	
44		14516603		SAFETY SW BASE				*		1	
45		14516751		SAFETY SW CORD ASM.				*		1	

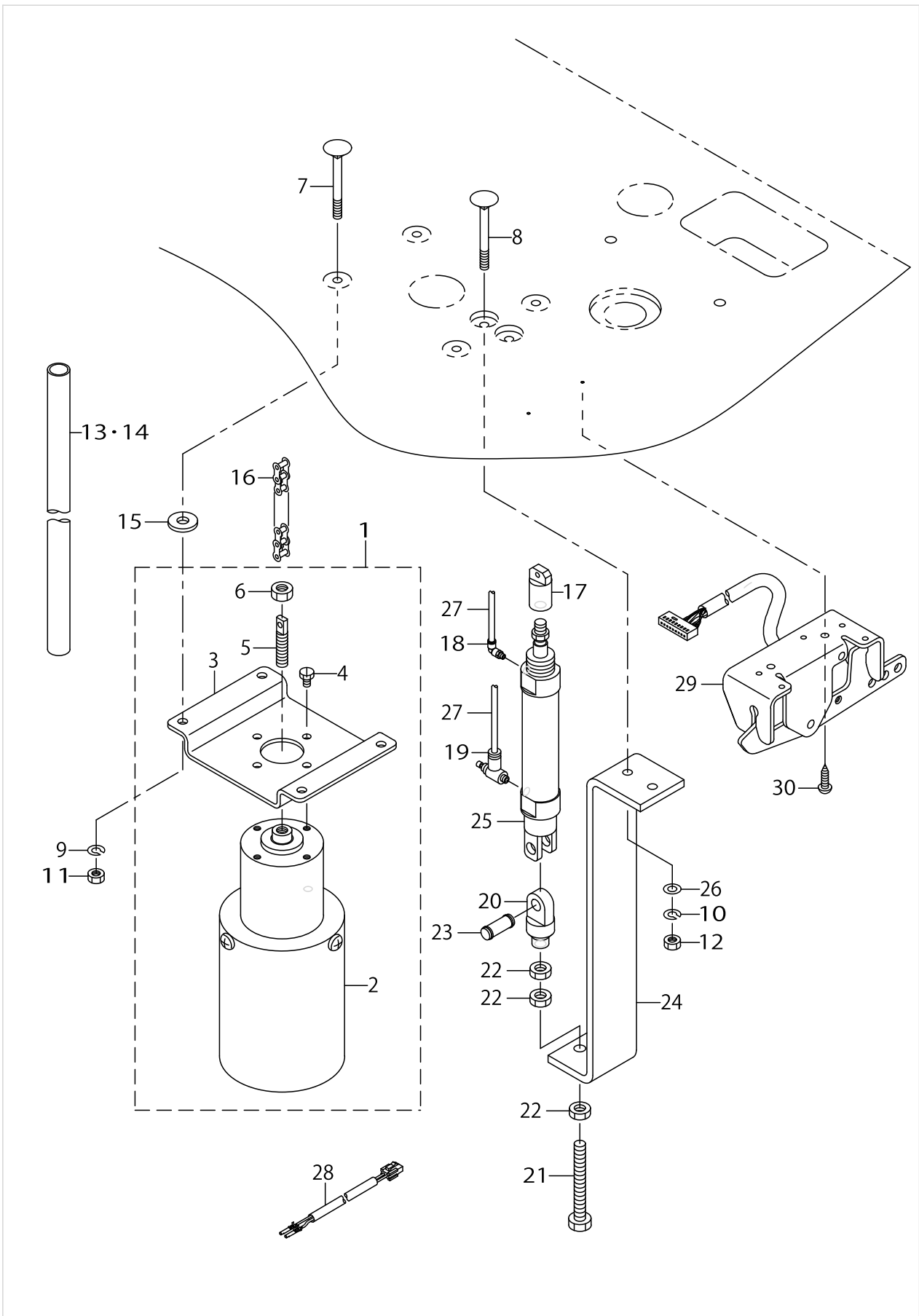
STARTING SAFETY COMPONENTS



STARTING SAFETY COMPONENTS

No.	Supply Code	Parts No.	Replacement	Parts name	Remarks	Choice	Step	Level	Cons	Qty	Rep. QTY
46		14516900		SAFETY SWITCH COVER				*		1	
47	R	SS7090520SP	SS7090520TP	SCREW 9/64-40 L= 4.5				*		2	1.00
48		EA9500B0100		CABLE BAND				*		1	
49		23638109		SAFETY SWITCH ARM				*		1	
50		23638307		SAFETY SWITCH ARM SHAFT				*		1	
51	R	23638208	23638059	SAFETY SWITCH SPRING				*		1	1.00
52	R	23638406	23638059	SAFETY SWITCH NUT				*		1	1.00
53		SM4021201SC		SCREW M2 L=12				*		2	
54		HK034610040		HOUSING				*		1	
55		14516801		SAFETY SWITCH PRESSING PLATE						1	
56		SS7110840SP		SCREW 11/64-40 L=7.8						2	
57		SS4110515SP		SCREW 11/64-40 L=5						2	
58		HX001230000		CABLE CLIP						1	
59		SS4120615SP		SCREW 3/16-28 L=6						1	
60	D	M85126000A0		START-UP CORD ASM.	FOR 170**A					1	
61	D	M85146000A0		STOP-MOTION CORD ASM.	FOR 170**A					1	
62		M90195800A0		EARTH CABLE ASM.						1	
63		WP1221016SP		WASHER	FOR 170**A					1	
64		SS4110515SP		SCREW 11/64-40 L=5						1	

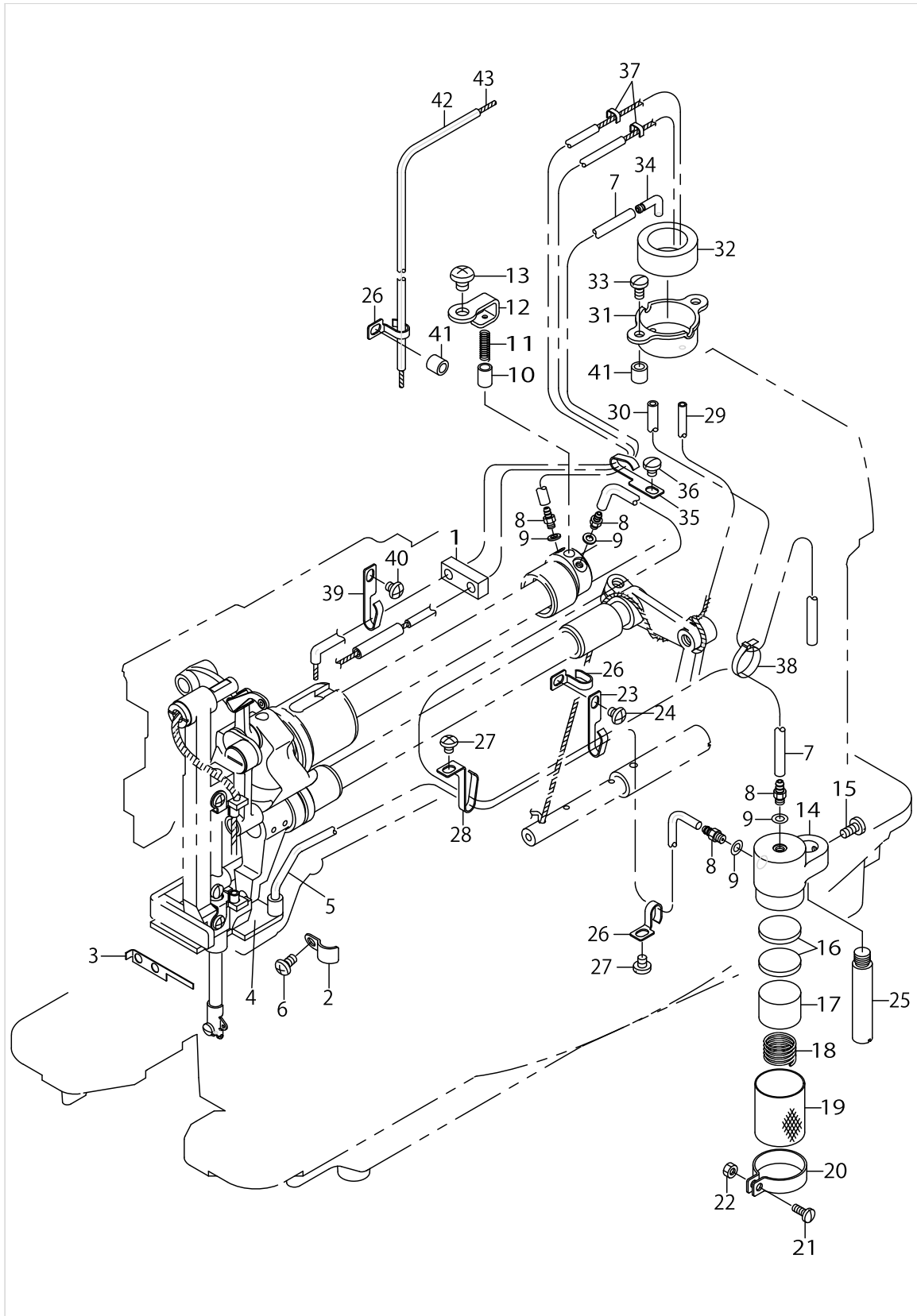
AO COMPONENTS



AO COMPONENTS

No.	Supply Code	Parts No.	Replacement	Parts name	Remarks	Choice	Step	Level	Cons	Qty	Rep. QTY
1	D	14514269		PRESSER LIFTER M-AGNET COMPL.	FOR 170**B					1	
2	R	14514251	14514269	PRESSER LIFTER MAGNET ASM.				*		1	1.00
3	D	14514004		MAGNET FITTING PLATE				*		1	
4		SM9050850SP		SCREW				*		4	
5	D	14514103		CONNECTING SCREW				*		1	
6		NM6080721SE		NUT M8				*		1	
7		MAO11108N00		PEDAL SWITCH FRAME BOLT	FOR 170**B					4	
8		MAO11108N00		PEDAL SWITCH FRAME BOLT	FOR 170**C					2	
9		WS0610002KN		SPRING WASHER 6.1X12.2X1.5	FOR 170**B					4	
10		WS0610002KN		SPRING WASHER 6.1X12.2X1.5	FOR 170**C					2	
11		NM6060001SC		NUT M6	FOR 170**B					4	
12		NM6060001SC		NUT M6	FOR 170**C					2	
13		14514301		CHAIN COVER	FOR 170**B					1	
14	D	MAO25104A00		CHAIN COVER	FOR 170**C					1	
15		D6056555B00		RUBBER CUSHION(B)	FOR 170**B					4	
16		G5416171000		THRUST CHAIN	FOR 170**B,*C					1	
17	D	G5414171000		THRUST KNUCKLE	FOR 170**C					1	
18		PJ304045102		ELBOW UNION, C	FOR 170**C					1	
19		PC015108000		SPEED CONTROLLER	FOR 170**C					1	
20		PX500017000		KNUCKLE JOINT	FOR 170**C					1	
21	R	SM9086503SM	SM9086513SC	SCREW M8 L=65	FOR 170**C					1	1.00
22		NM6080003SC		NUT M8	FOR 170**C					3	
23		PX5000300A0		CLEVIS PIN ASM.	FOR 170**C					1	
24		G5412171000		THRUST CYLINDER BRACKET	FOR 170**C					1	
25	D	PA2006003A0		LIFTING LEVER CYLINDER ASM.	FOR 170**C					1	
26		WP0641601SC		WASHER	FOR 170**C					2	
27		BT0400251EB		URETHANE HOSE, BLACK	FOR 170**C					.6	
28		M85156000A0		PRESSER LIFT CORD ASM.	FOR 170**B					1	
29		M85205900A0		1-PEDAL ASM.	FOR 170**B,*C					1	
30		SK3482001SE		WOOD SCREW D=4.8 L=20	FOR 170**B,*C					2	

# LUBRICATION COMPONENTS



LUBRICATION COMPONENTS

No.	Supply Code	Parts No.	Replacement	Parts name	Remarks	Choice	Step	Level	Cons	Qty	Rep. QTY
1		14516009		OIL PIPE GUIDE						1	
2		B3571771000		PIPE HOLDER						1	
3	R	B3566771000	40009374	OIL FELT HOLDER						1	1.00
4		B3549771000		OIL RETURN FELT (A)						1	
5		B3568771000		OIL RETURN TUBE						1	
6		SS4110815SP		SCREW 11/64-40 L=8						1	
7		BT0500300EA		OIL TUBE						.48	
8		SQ1110402MZ		CONNECTING SCREW						4	
9		B3534012000		GASKET						4	
10		B3534155000		PLUNGER						1	
11		B1214038000		PLUNGER SPRING						1	
12	R	B3541771000	40009361	THRUST PLATE						1	1.00
13		SS4150715SP		SCREW 15/64-28 L=7						1	
14	R	B3540771000	40009360	OIL PUMP BASE						1	1.00
15	R	SS7110910SP	SS7110910TP	SCREW 11/64-40 L=8.5						1	1.00
16		B3570771000		FILTER						2	
17		B3546771000		OIL FELT						1	
18	R	B3569771000	40009375	SPRING						1	1.00
19	R	B3545771000	40009366	FILTER SCREEN						1	1.00
20	R	B1850512000	40009379	BUSHING HOLDER						1	1.00
21	R	SS7090910SP	SS7090910TP	SCREW 9/64-40 L=8.5						1	1.00
22		NS6090310SP		NUT 9/64-40						1	
23	R	13530209	26230409	LUBRICATING OIL WICK STOPPER						1	1.00
24		SS4110515SP		SCREW 11/64-40 L=5						1	
25	R	11023504	22933907	BELT COVER SUPPORT, A						1	1.00
26	R	B3523980000	26231902	OIL WICK PIPE STOPPER						3	1.00
27		SS4110515SP		SCREW 11/64-40 L=5						2	
28		B3508220000		OIL TUBE HOLDER						1	
29		BT0400251EA		TUBE HOSE, BLUE						.01	
30		BT0500300EG		OIL TUBE						.3	
31		10216703		OIL TANK						1	
32		B3542771000		OIL FELT						1	
33		SS7110840SP		SCREW 11/64-40 L=7.8						2	
34		13728506		OIL RETURN FELT CONNEC. PIPE						1	
35	R	13530209	26230409	LUBRICATING OIL WICK STOPPER						1	1.00
36		SS4110515SP		SCREW 11/64-40 L=5						1	
37	R	B1419026000	26230706	OIL WICK PRESSER						2	1.00
38		EA9500B0100		CABLE BAND						4	
39	R	13530209	26230409	LUBRICATING OIL WICK STOPPER						1	1.00
40		SS4110515SP		SCREW 11/64-40 L=5						1	
41		B3013141H0A		WASHER						2	
42		BP400000000		VINYL TUBE, WHITE D=4						.25	
43		CQ200000000		OIL WICK						.65	



TABLE COMPONENTS

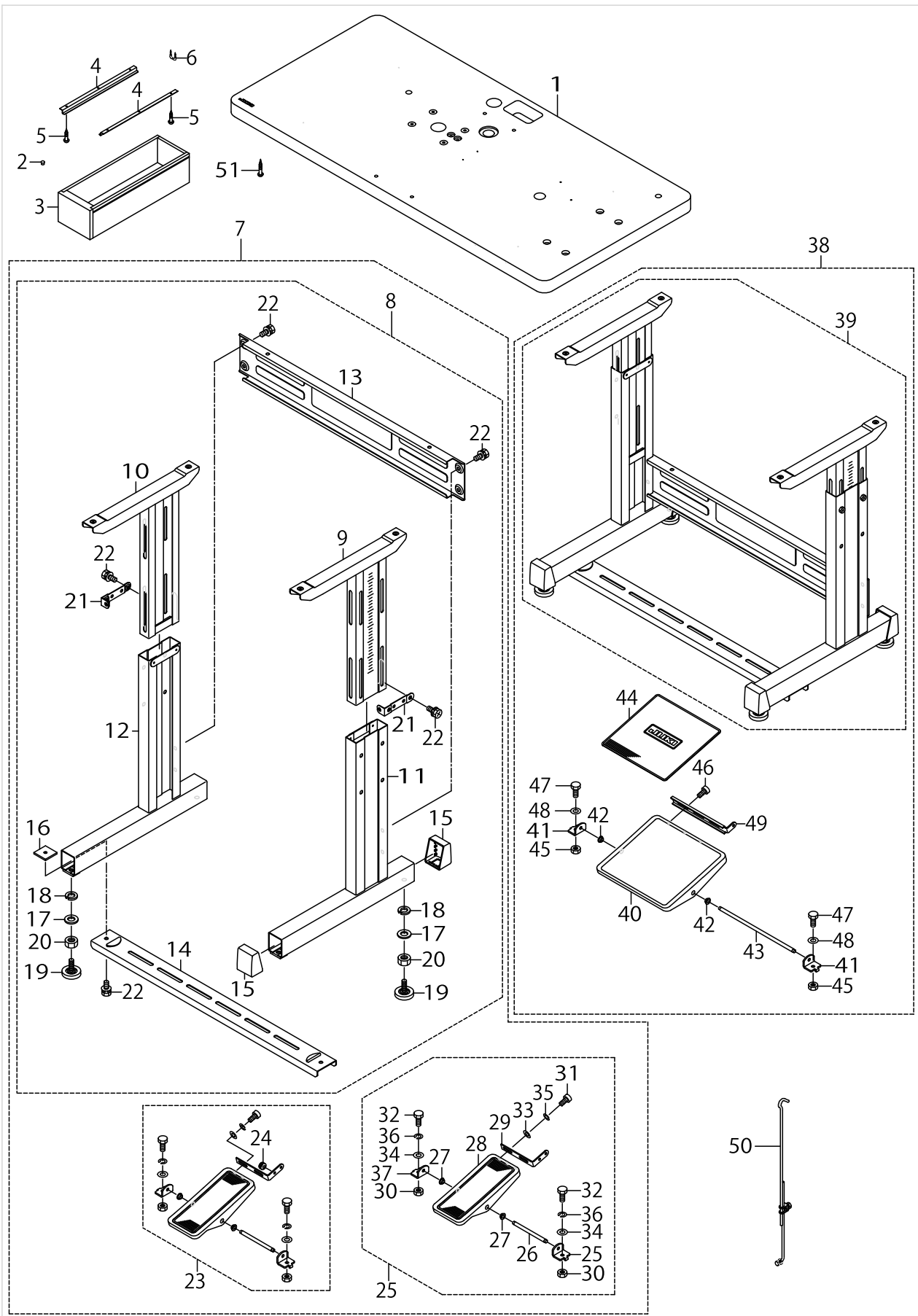


TABLE COMPONENTS

No.	Supply Code	Parts No.	Replacement	Parts name	Remarks	Choice	Step	Level	Cons	Qty	Rep. QTY
1		14514905		TABLE						1	
2		HX00326000L		DOME PLUG	FOR 170**A					2	
3	R	11155108	11155157	DRAWER						1	1.00
4		11155207		DRAWER SUPPORT						2	
5	R	SK3311600SC	SK3311601SE	WOOD SCREW D=3.1 L=16						6	1.00
6		D8204555D00		DRAWER STOPPER						1	
7		B81017710A0		T-STAND COMPL.	FOR 170**A					1	
8	R	11157559	11157567	T-STAND ASM.				*		1	1.00
9		11157666		UPPER STAND ASM., RIGHT				*		1	
10		11157765		UPPER STAND ASM., LEFT				*		1	
11		11157963		LOWER LEG, RIGHT				*		1	
12		11158060		LOWER LEG, LEFT				*		1	
13	D	11158300		STAND SIDE SUPPORT				*		1	
14		11158409		STAND SIDE SUPPORT				*		1	
15		11158607		RUBBER CAP				*		4	
16		17007402		NUT				*		2	
17		WP1302501SE		WASHER M12				*		4	
18		WS1253010KN		SPRING WASHER 12.5X21.5X3				*		4	
19		B81085550A0		ADJUSTING SCREW ASM. WITH CAP				*		4	
20		NM6120001SE		NUT M12				*		1	
21		11158516		UPPER STAND PLATE				*		2	
22		SL9082091SE		WASHER HEXAGONAL BOLT				*		12	
23		13817754		Z-STAND PEDAL ASM.				*		1	
24		GSK01008000		RUBBER BUSHING	FOR 170**A			*		1	
25		13817754		Z-STAND PEDAL ASM.				*		1	
26		B8153771000		PEDAL CONNECTING ROD				*		1	
27		D8113555B00		PEDAL BUSHING				*		2	
28		GPF060600A0		PEDAL ASM.				*		1	
29		GPF06080000		PEDAL ADJUSTING PLATE				*		1	
30		NM6080721SE		NUT M8				*		2	
31		SM9061203SE		SCREW M6 L=12				*		2	
32		SM9082023SE		SCREW M8 L=20				*		2	
33		WP0671016SE		WASHER 6.7X13X1				*		2	
34		WP0871602SE		WASHER 8.7X18X1.6				*		4	
35		WS0621210KR		SPRING WASHER 6.2X11.4X1.2				*		2	
36		WS0861410KR		SPRING WASHER 8.6X15X1.4				*		2	
37		11159001		PEDAL SHAFT BRACKET				*		2	
38		11157567		T LEG JUNCTION	FOR 170**B,*C					1	
39	R	11157559	11157567	T-STAND ASM.				*		1	1.00
40		11158805		PEDAL				*		1	
41		11159001		PEDAL SHAFT BRACKET				*		2	
42		D8113555B00		PEDAL BUSHING				*		2	
43		D8115555B00		PEDAL SHAFT				*		1	
44		11158904		PEDAL MAT				*		1	
45		NM6080001SE		NUT M8				*		2	

TABLE COMPONENTS

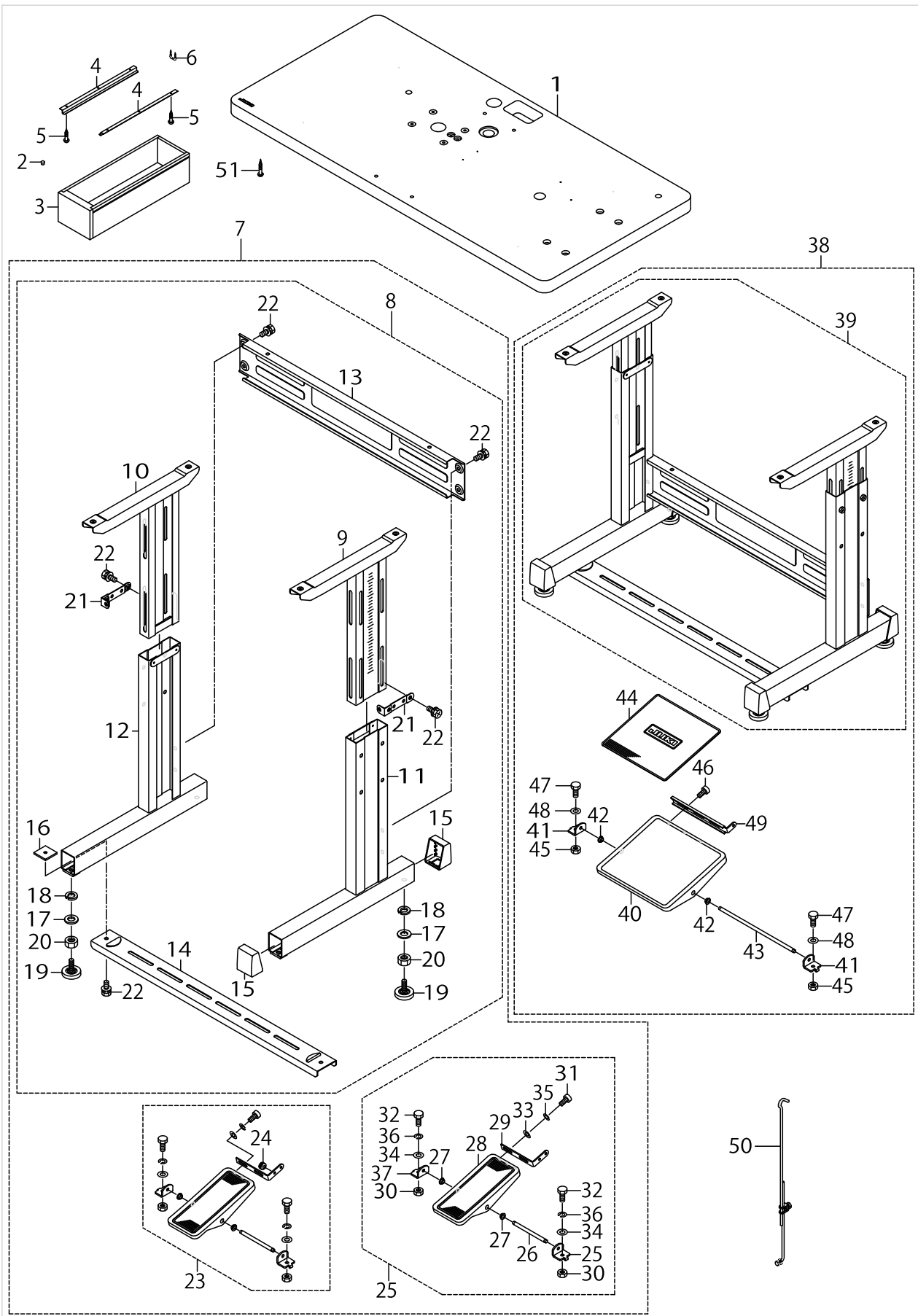
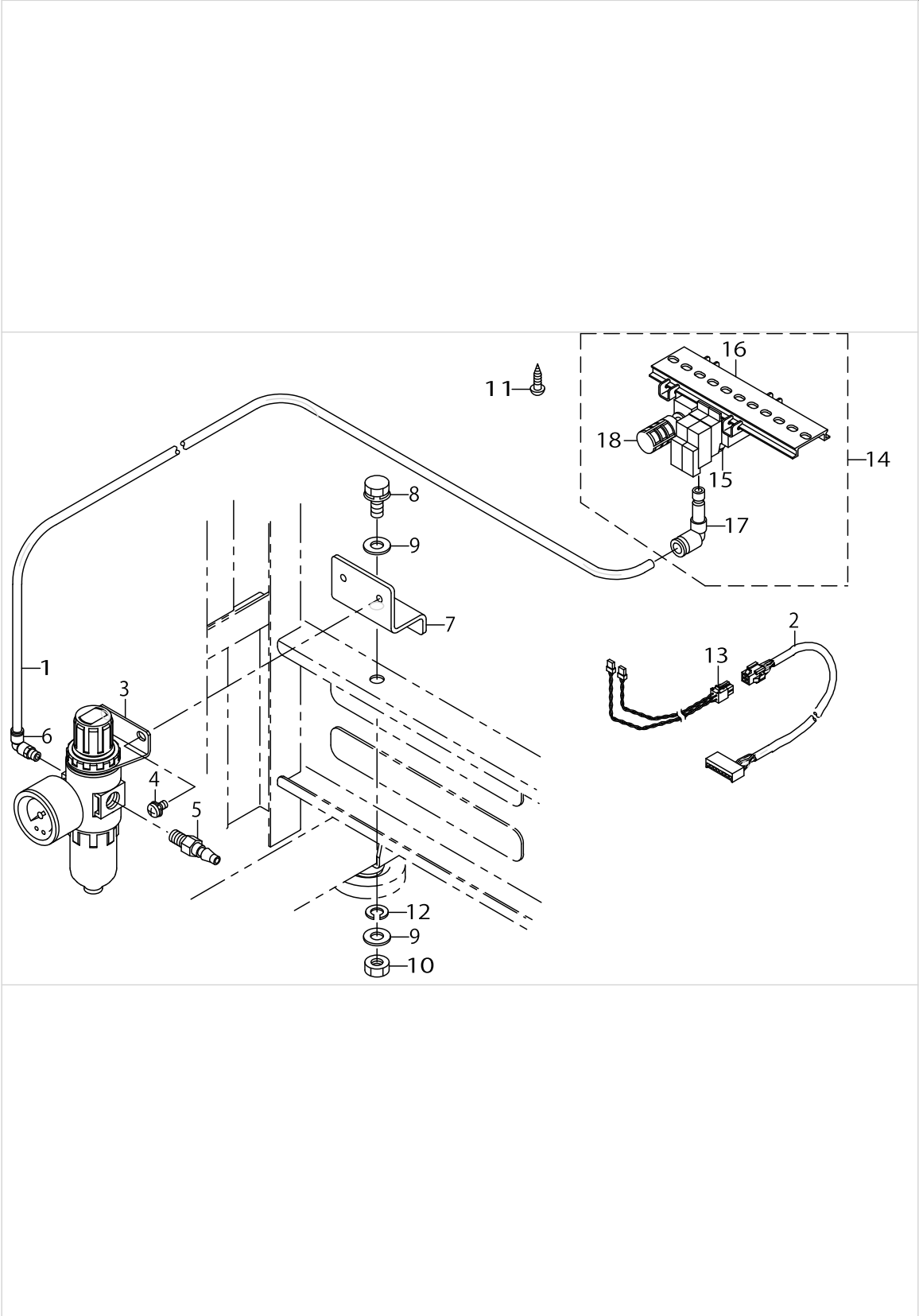


TABLE COMPONENTS

No.	Supply Code	Parts No.	Replacement	Parts name	Remarks	Choice	Step	Level	Cons	Qty	Rep. QTY
46		SL9061291SE		WASHER HEXAGON- AL BOLT M6 L=12				*		2	
47		SL9082091SE		WASHER HEXAGONAL BOLT				*		2	
48		WP0871602SE		WASHER 8.7X18X1.6				*		2	
49		11158706		PEDAL ADJUSTING PLATE				*		1	
50	R	MAO720020A0	26104851	CONNECTING ROD ASM.	FOR 170**B,*C					1	1.00
51		SK3483201SE		WOOD SCREW D=4.8 L=32						4	

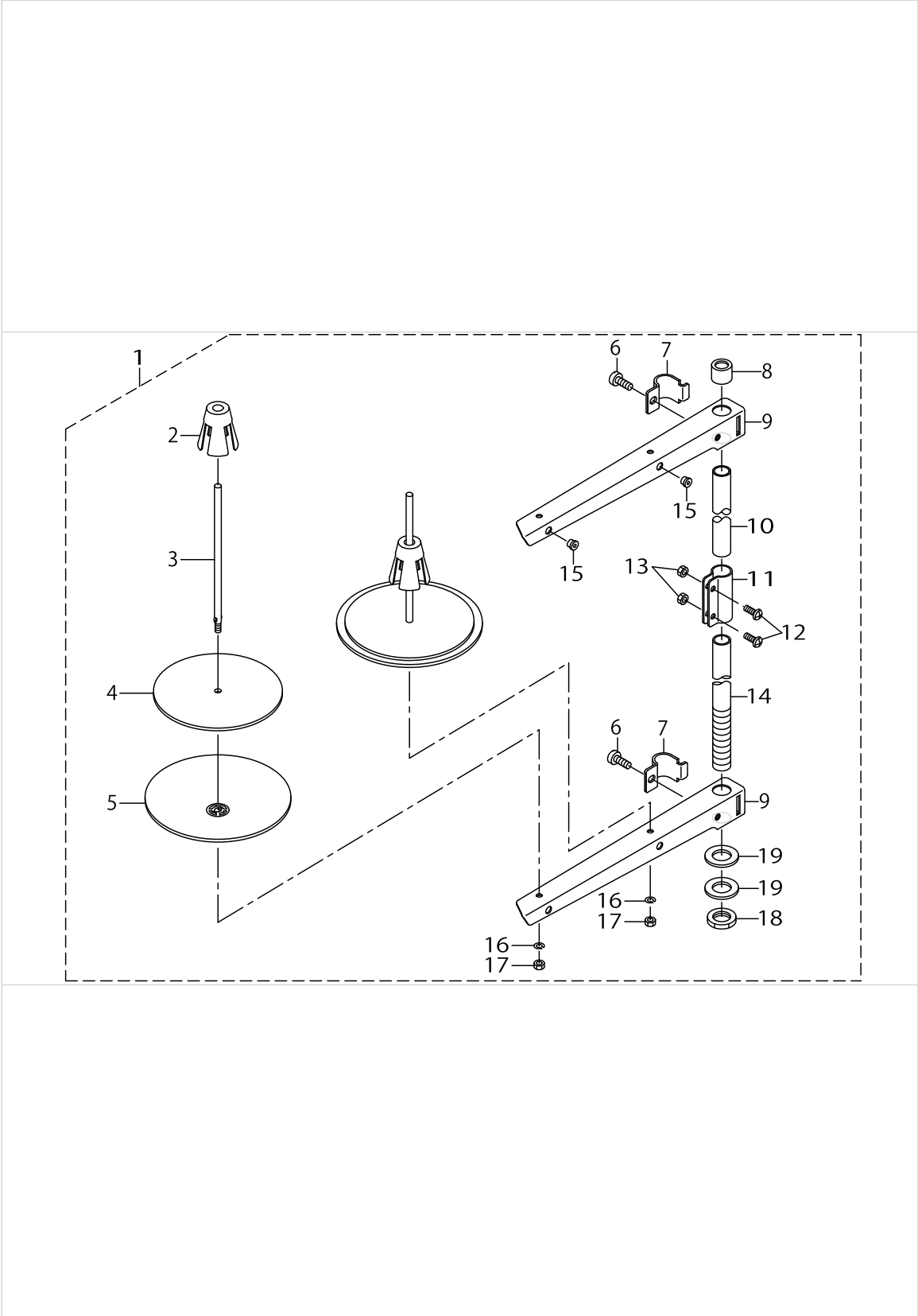
PNEUMATIC COMPONENTS (FOR 170\*\*C)



PNEUMATIC COMPONENTS (FOR 170\*\*C)

No.	Supply Code	Parts No.	Replacement	Parts name	Remarks	Choice	Step	Level	Cons	Qty	Rep. QTY
1		BT0600401EB		TUBE						.6	
2		M85176000A0		SOLENOID VALVE CORD ASM.						1	
3		PF0552040A0		FILTER REGULATOR ASM.						1	
4		SL4051091SC		SCREW M5X0.8 L=10						2	
5		PJ309005203		QUICK JOINT PLUG						1	
6		PJ304065201		ELBOW UNION 6XPT1/4						1	
7	R	B8211206000	40023662	FILTER INSTALLING PLATE						1	1.00
8		SL9082093SE		SCREW						1	
9		WP0871602SE		WASHER 8.7X18X1.6						2	
10		NM6080721SE		NUT M8						1	
11		SK3482001SE		WOOD SCREW D=4.8 L=20						2	
12		WS0861410KR		SPRING WASHER 8.6X15X1.4						1	
13		14514756		SOLENOID VALVE CABLE ASM.						1	
14		14204655		SOLENOID VALVE ASM.						1	
15		PV150209000		5 PORT SOLENOID VALVE				*		2	
16		PV915005000		SOLENOID VALVE I- NSTALLING BASE				*		1	
17		PJ304060001		ELBOW				*		1	
18		PX050003000		SILENCER				*		1	

THREAD STAND COMPONENTS

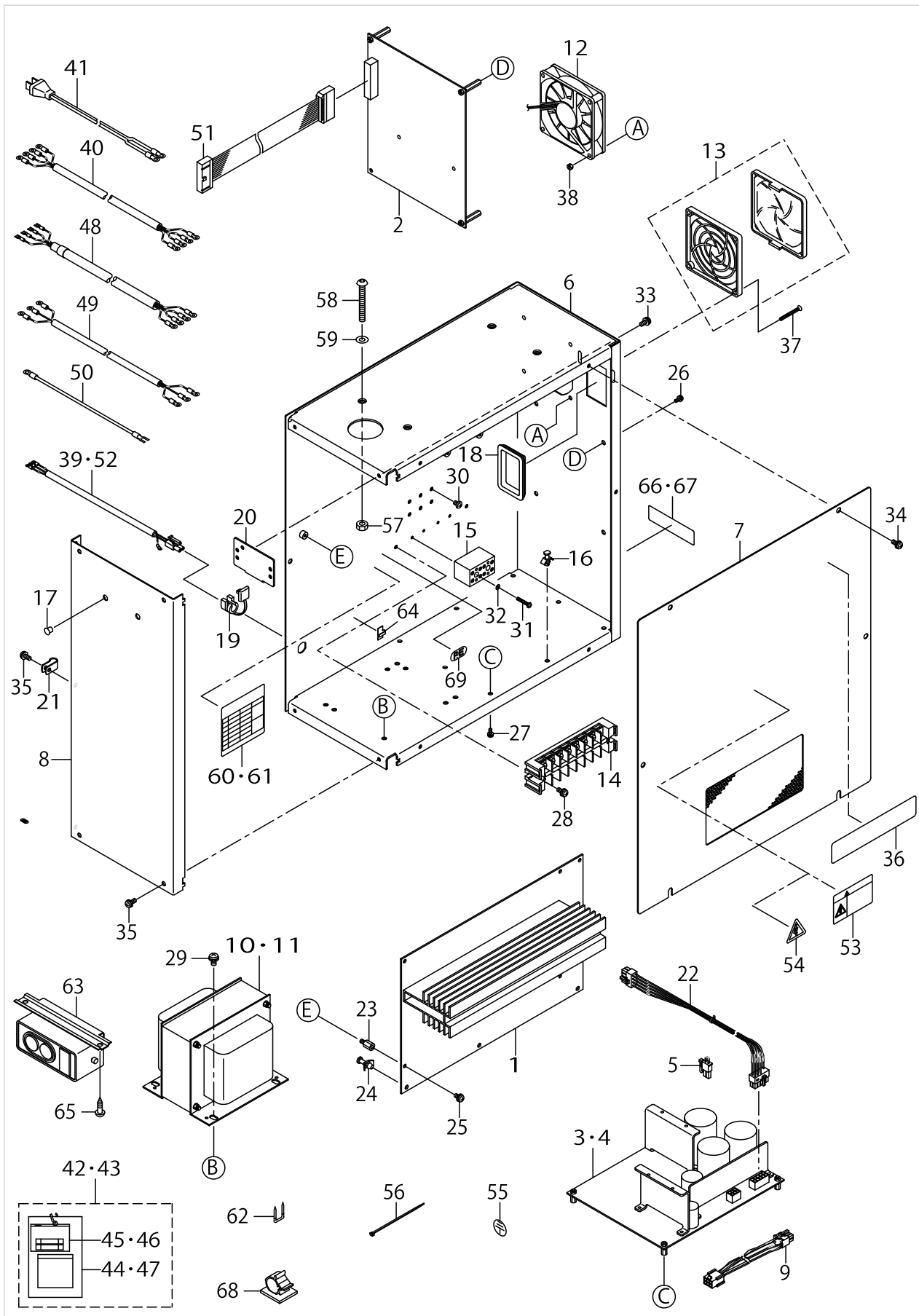


THREAD STAND COMPONENTS

No.	Supply Code	Parts No.	Replacement	Parts name	Remarks	Choice	Step	Level	Cons	Qty	Rep. QTY
1	R	22930358	40096354	THREAD STAND ASM.						1	1.00
2	R	22931109	40085791	SPOOL RETAINER				*		2	1.00
3	R	22931000	40085790	SPOOL PIN				*		2	1.00
4		22930903		SPOOL REST CUSHION				*		2	
5		22930804		SPOOL REST				*		2	
6		SM6061610SC		SCREW M6 L=16				*		2	
7	R	22930705	40096354	THREAD GUIDE ARM JOINT				*		2	1.00
8		22931406		SPOOL REST ROD RUBBER CAP				*		1	
9	R	22930507	40096354	SPOOL REST ARM				*		2	1.00
10	R	22930408	40096354	SPOOL REST ROD, UPPER				*		1	1.00
11	R	22931307	40096354	SPOOL REST ROD JOINT				*		1	1.00
12		SM4051405SE		SCREW M5 L=14				*		2	
13		NM6050001SE		NUT M5				*		2	
14	R	22930309	40096354	SPOOL REST ROD, LOWER				*		1	1.00
15		22931208		THREAD GUIDE				*		2	
16		WS0510002KN		SPRING WASHER				*		2	
17		NM6050001SE		NUT M5				*		2	
18		NM6160511SE		NUT M16X1.5				*		1	
19		WP1702600S0		WASHER 17X30X2.6				*		2	



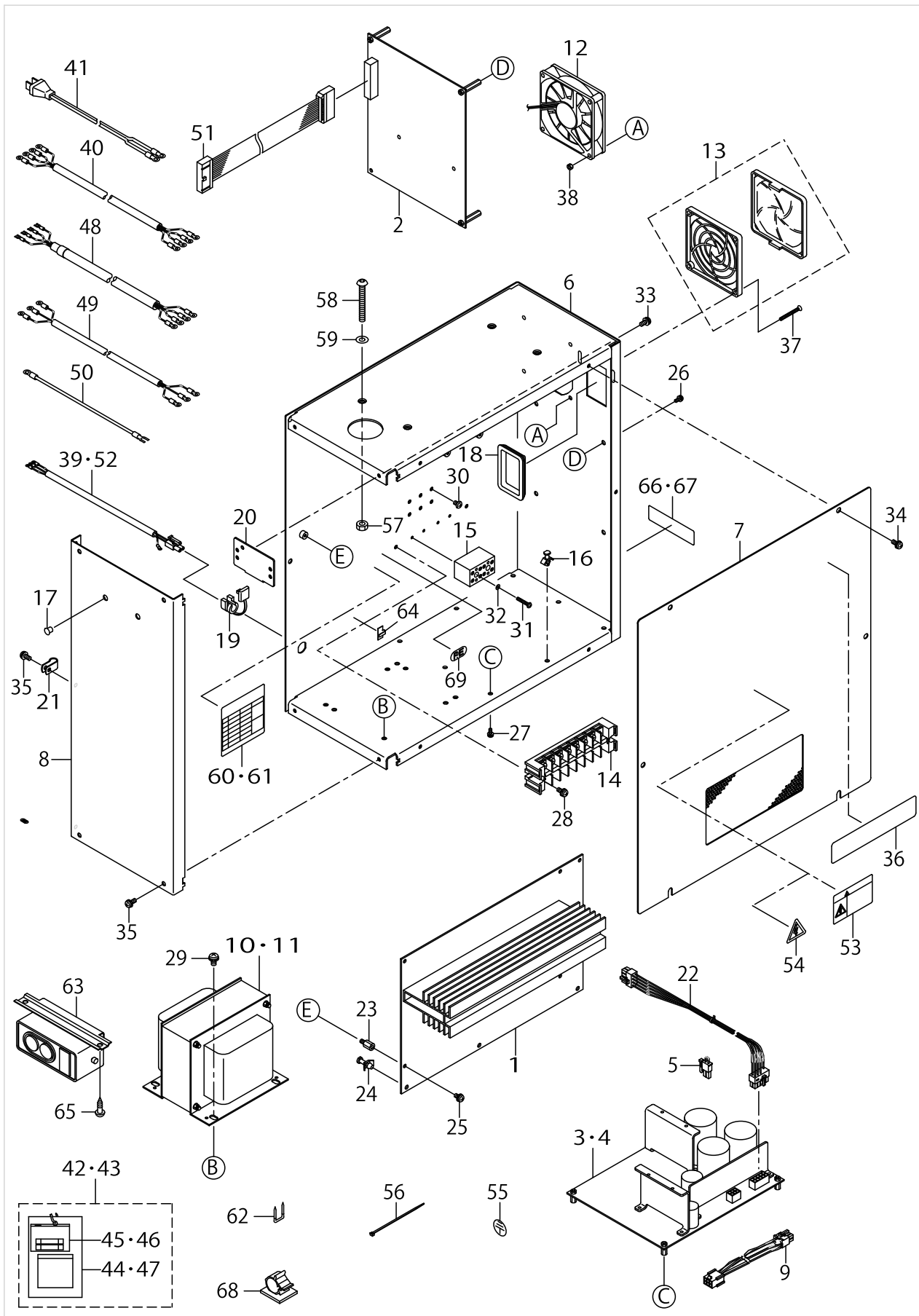
# CONTROL BOX COMPONENTS



CONTROL BOX COMPONENTS

No.	Supply Code	Parts No.	Replacement	Parts name	Remarks	Choice	Step	Level	Cons	Qty	Rep. QTY
1	D	M8601600AA0B		MAIN CIRCUIT BOARD AB ASM.						1	
2	R	M8610610AAAA	40059871	DSC CIRCUIT BOARD AA ASM.		A	MOL-254 Japan			1	1.00
2	R	M8610610AAAA	40059869	DSC CIRCUIT BOARD AA ASM.		A	MOL-254 Japan			1	1.00
2	R	M8610610AAAA	40059871	DSC CIRCUIT BOARD AA ASM.		B	MOL-254 輸出/MOL- -254 Export			1	1.00
2	R	M8610610AAAA	40059870	DSC CIRCUIT BOARD AA ASM.		B	MOL-254 輸出/MOL- -254 Export			1	1.00
3	R	M8620600AAB	40059718	PWR CIRCUIT BOARD AB ASM.	FOR JAPAN	A				1	1.00
3	R	M8620600AAB	40042767	PWR CIRCUIT BOARD AB ASM.	FOR JAPAN	A				1	1.00
3	R	M8620600AAB	40050672	PWR CIRCUIT BOARD AB ASM.	FOR JAPAN	A				1	1.00
4	R	M8620610BAB	40050672	PWR CIRCUIT BOARD BB ASM.	FOR EXPORT	A				1	1.00
4	R	M8620610BAB	40042767	PWR CIRCUIT BOARD BB ASM.	FOR EXPORT	A				1	1.00
4	R	M8620610BAB	40059719	PWR CIRCUIT BOARD BB ASM.	FOR EXPORT	A				1	1.00
5		M85236000A0		INPUT CHANGEVER CORD ASM.	FOR JAPAN (100V)					1	
6	R	M1001590000	40098641	CONTROL BOX						1	1.00
7	R	M10025800A0	40098646	CONTROL BOX COVER ASM.						1	1.00
8		M10026000A0		CONTROL BOX PANEL ASM.						1	
9		M85306000A0		TRANSFORMER RE- LAY CORD ASM.						1	
10		M8901590BA0A		TRANSFORMER B ASM.	FOR EXPORT					1	
11		M8901590AA0A		TRANSFORMER A ASM.	FOR JAPAN					1	
12		M85405800A0		FAN ASM.						1	
13		HM000860010		FAN FILTER						1	
14		HK026650080		TERMINAL BASE 8P	FOR JAPAN					1	
15		HK054250040		TERMINAL BASE	FOR EXPORT					2	
16		HX00147000C		SPACER						4	
17		HX00326000L		DOME PLUG						2	
18		HX004070000		BUSH						1	
19		HX004100000		BUSH						1	
20		17845009		CORD FITTING PLATE						1	
21		HX00123000B		CABLE CLIP						1	
22		M85196000A0		DC POWER CORD ASM.						1	
23		HX003390000		STUD						4	
24		HX00147000D		BASE SPACER						3	
25		SL4040881SF		SCREW M4 L=8						4	
26		SL4030891SC		SCREW M3X8						4	
27		SL4030891SC		SCREW M3X8						4	
28		SL4041081SF		SCREW M4 L=10	FOR JAPAN					2	
29		SL4051091SC		SCREW M5X0.8 L=10						4	
30		SL4040681SC		COMBINATION SCREW M4 X 8						5	
31		SM4031851SR		SCREW	FOR EXPORT					4	
32		WS0310702KS		SPRING WASHER	FOR EXPORT					4	
33		SL4041091SC		SCREW M4 L=10						2	
34		SL4041091SC		SCREW M4 L=10						6	
35		SL4041091SC		SCREW M4 L=10						7	
36		M3009510000		FAN CLEANING LABEL						1	
37		SM1033501SC		SCREW M3X0.5 L=35						2	

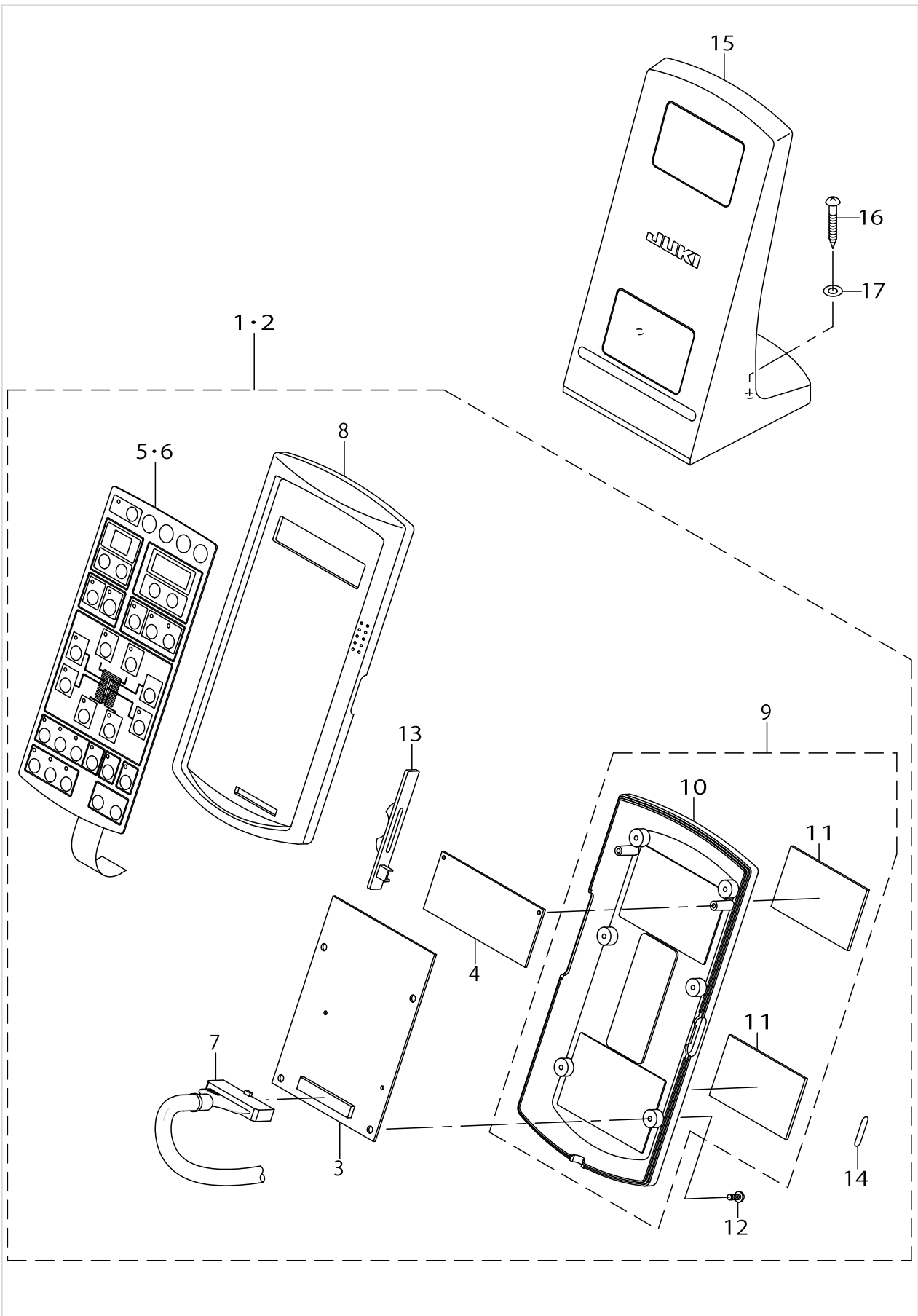
CONTROL BOX COMPONENTS



CONTROL BOX COMPONENTS

No.	Supply Code	Parts No.	Replacement	Parts name	Remarks	Choice	Step	Level	Cons	Qty	Rep. QTY
38		NM6030003SC		NUT M3						2	
39		M85216000A0		BOX POWER CORD ASM.	FOR JAPAN					1	
40		M90175800A0		POWER CABLE ASM.	FOR JAPAN (200V)					1	
41		M90355800A0		POWER SOURCE CORD ASM.	FOR JAPAN (100V)					1	
42		M8599600AA0		ACCESSORIE PART A ASM.	FOR JAPAN					1	
43		M8599600BA0		ACCESSORIE PART B ASM.	FOR EXPORT					1	
44		M300451100A		VOLTAGE INDICATION CARD,A				*		1	
45		HF0084063P0		FUSE				*		1	
46		HF001301000		TIMING LAG FUSE				*		1	
47		M3003580000		VOLTAGE INDICATION CARD,B	FOR EXPORT			*		1	
48		M90285800A0		POWER CABLE ASM.	FOR JE					1	
49		M90245800A0		POWER CABLE ASM.,100V	FOR EXPORT (1φ)					1	
50		M90345800A0		GROUND CORD ASM.	FOR JAPAN (100V)					1	
51	R	M85316000A0	M90226200A0	SDC.I/F CABLE ASM.						1	1.00
52	D	M85226000A0		BOX POWER CORD ASM.	FOR EXPORT					1	
53		CM300100101		DANGER LABEL (SMALL)	FOR JAPAN					1	
54		CM300100001		LABEL	FOR EXPORT					1	
55		E9567319000		EARTH MARK						1	
56		EA9500B0100		CABLE BAND						2	
57		NM6060001SC		NUT M6						4	
58		SM3065052TC		SCREW						4	
59		WP0612056SE		WASHER 6.1X18.5X2						4	
60		M300359000A		SEAL A	FOR JAPAN					1	
61		M300359000B		SEAL B	FOR EXPORT					1	
62		MAO11532000		CORD STAPLE						8	
63		HA004250000		SWITCH	EXCEPT JE					1	
64		HX000930000		STAPLE, SMALL						1	
65		SK3512001SF		WOOD SCREW						2	
66		M990160000A		NAME PLATE A	FOR JAPAN					1	
67		M990160000B		NAME PLATE B	FOR EXPORT					1	
68		E9609603000		STICKER (LARGE)						2	
69		CM200100001		PE MARK LABEL	FOR EXPORT					1	

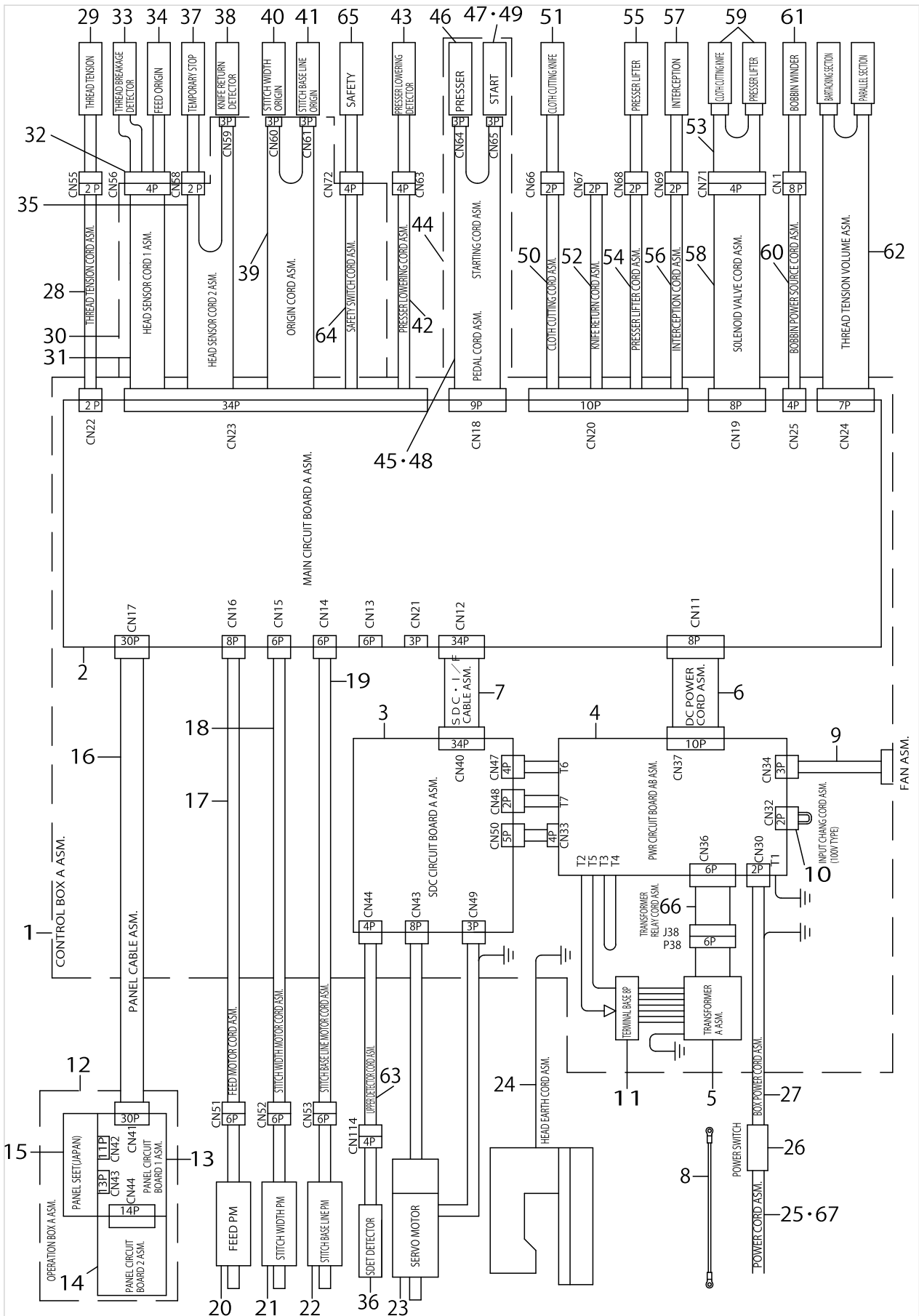
OPERATION BOX COMPONENTS



OPERATION BOX COMPONENTS

No.	Supply Code	Parts No.	Replacement	Parts name	Remarks	Choice	Step	Level	Cons	Qty	Rep. QTY
1	D	M1010600AA0		OPERATION BOX A ASM.	FOR JAPAN					1	
2	D	M1010600BA0		OPERATION BOX B ASM.	FOR EXPORT					1	
3	D	M86036000A0		PANEL CIRCUIT BOARD 1 ASM.				*		1	
4		M86046000A0		PANEL CIRCUIT BOARD 2 ASM.				*		1	
5	D	M300160000A		PANEL SEET (JAPAN)	FOR JAPAN			*		1	
6	D	M300160000B		PANEL SEET (ENGLISH)	FOR EXPORT			*		1	
7	R	M85206000A0	M90216200A0	PANEL CABLE ASM.				*		1	1.00
8		M1010600000		OPERATION BOX UPPER CASE				*		1	
9		M10315800A0		OPERATION BOX L- OWER CASE ASM.				*		1	
10		M1031580000		OPERATION BOX LOWER CASE				*		1	
11		M1011580000		MAGNET SHEET				*		2	
12		ST4031051SN		TAPPING SCREW D=3-24 L=10				*		6	
13		M1032580000		VOLUME TONGUE				*		1	
14		M2001600000		PANEL SIDE LABEL				*		1	
15	R	M10175800A0	40035024	OPERATION BOX FI- XED PLATE ASM.						1	1.00
16		SK3413201SE		WOOD SCREW D=4.1 L=32						2	
17		WP0501016SC		WASHER 5X10.5X1						2	

WIRING DIAGRAM (1)

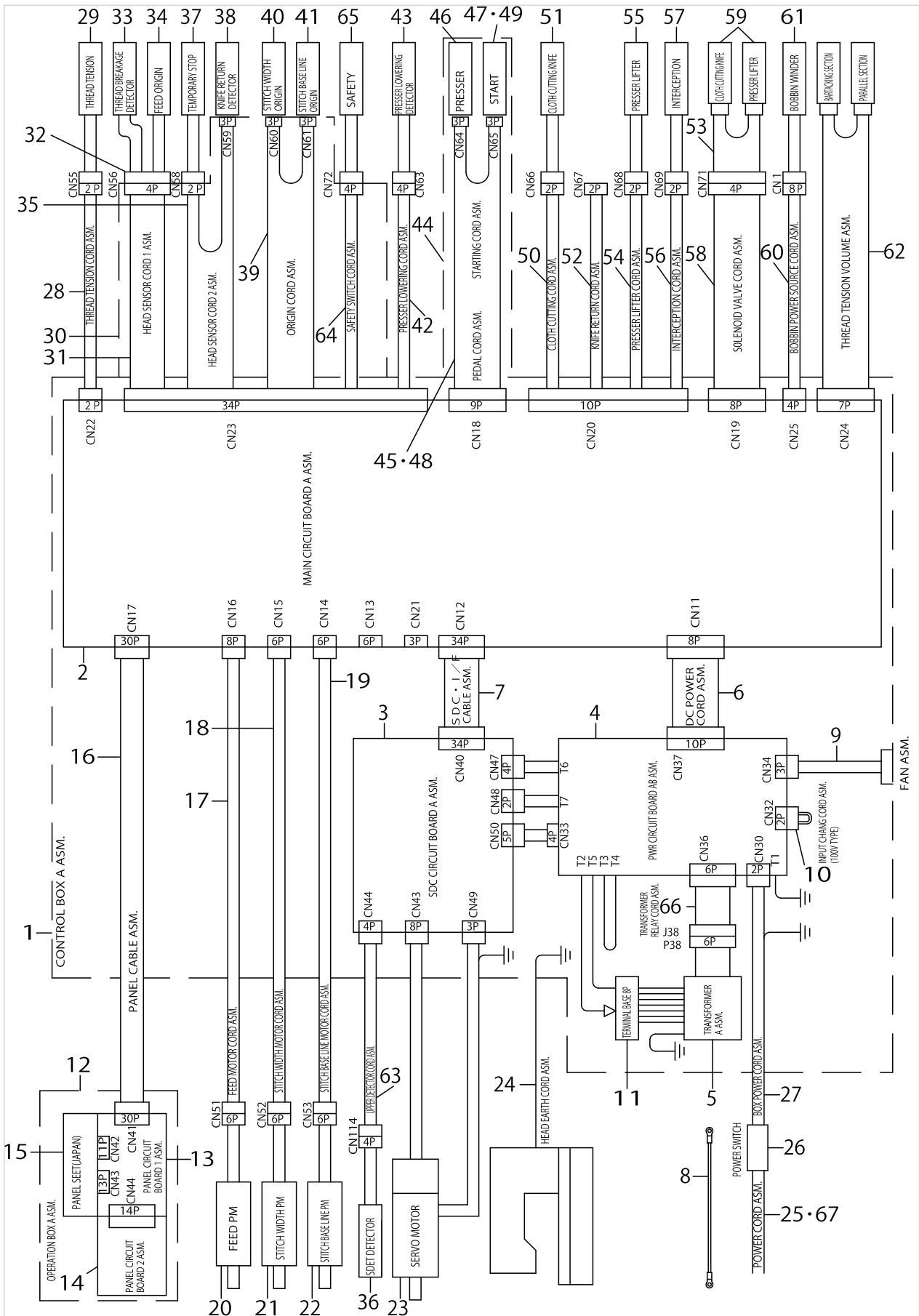


WIRING DIAGRAM (1)

No.	Supply Code	Parts No.	Replacement	Parts name	Remarks	Choice	Step	Level	Cons	Qty	Rep. QTY
1	D	M1001600AA0		CONTROLBOXAASM.						1	
2	D	M8601600AA0B		MAIN CIRCUIT BOARD AA ASM.						1	
3	R	M8610610AAAA	40059871	SDC CIRCUIT BOARD AA ASM.		A	MOL-254 Japan			1	1.00
3	R	M8610610AAAA	40059869	SDC CIRCUIT BOARD AA ASM.		A	MOL-254 Japan			1	1.00
3	R	M8610610AAAA	40059871	SDC CIRCUIT BOARD AA ASM.		B	MOL-254 輸出/MOL- -254 Export			1	1.00
3	R	M8610610AAAA	40059870	SDC CIRCUIT BOARD AA ASM.		B	MOL-254 輸出/MOL- -254 Export			1	1.00
4	R	M8620600AAB	40059718	PWR CIRCUIT BOARD AB ASM.		A				1	1.00
4	R	M8620600AAB	40042767	PWR CIRCUIT BOARD AB ASM.		A				1	1.00
4	R	M8620600AAB	40050672	PWR CIRCUIT BOARD AB ASM.		A				1	1.00
5	R	M8901590AA0	M8901590AA0A	POWER TRANSFORMER A ASM.						1	1.00
6		M85196000A0		DC POWER CORD ASM.						1	
7		M85196100A0		SDC I/F CABLE ASM.						1	
8		M90345800A0		GROUND CORD ASM.	FOR JAPAN (1 φ 100V)					1	
9		M85405800A0		FAN ASM.						1	
10		M85236000A0		INPUT CHANGEOVER CORD ASM.						1	
11		HK026650080		TERMINAL BASE 8P						1	
12	D	M1010600AA0		OPERATION BOX A ASM.						1	
13	D	M86036000A0		PANEL CIRCUIT BOARD 1 ASM.				*		1	
14		M86046000A0		PANEL CIRCUIT BOARD 2 ASM.				*		1	
15	D	M300160000A		PANEL SEET (JAPAN)				*		1	
16	R	M85206000A0	M90216200A0	PANEL CABLE ASM.				*		1	1.00
17	D	M85026000A0		FEED MOTOR CORD ASM.						1	
18		M85036000A0		STITCH WIDTH MO- TOR CORD ASM.						1	
19		M85046000A0		STITCH BASE LINE CORD ASM.						1	
20	D	14505101		FEED STEPPING MOTOR						1	
21	D	14507800		ZIGZAG WIDTH STEPPING MOTOR						1	
22		14506901		NEEDLE POSITION STEPPING MOTOR						1	
23	D	M6001610AA0		MOTOR A ASM.						1	
24		M90195800A0		EARTH CABLE ASM.						1	
25		M90175800A0		POWER CABLE ASM.	FOR JAPAN (3 φ 200V)					1	
26		HA004250000		SWITCH						1	
27		M85216000A0		BOX POWER CORD ASM.						1	
28		M85066000A0		THREAD TENSION CORD ASM.						1	
29		14513154		THREAD TENSION SOLENOID ASM.						1	
30		M85186000A0		HED SENSOR CORD WHOLE ASM. 1						1	
31		M85076000A0		HED SENSOR CORD ASM. 1						1	
32		14505259		HEAD SENSOR ASM.						1	
33		14506059		THREAD BREAKAGE DETECTOR ASM.						1	
34		14505952		FEED ORIGIN SENSOR ASM.						1	
35		M85086000A0		HEAD SENSOR CORD 2 ASM.						1	
36		14404750		SDET SENSOR ASM.						1	
37		14511158		TEMPORARY STOP SWITCH ASM.						1	



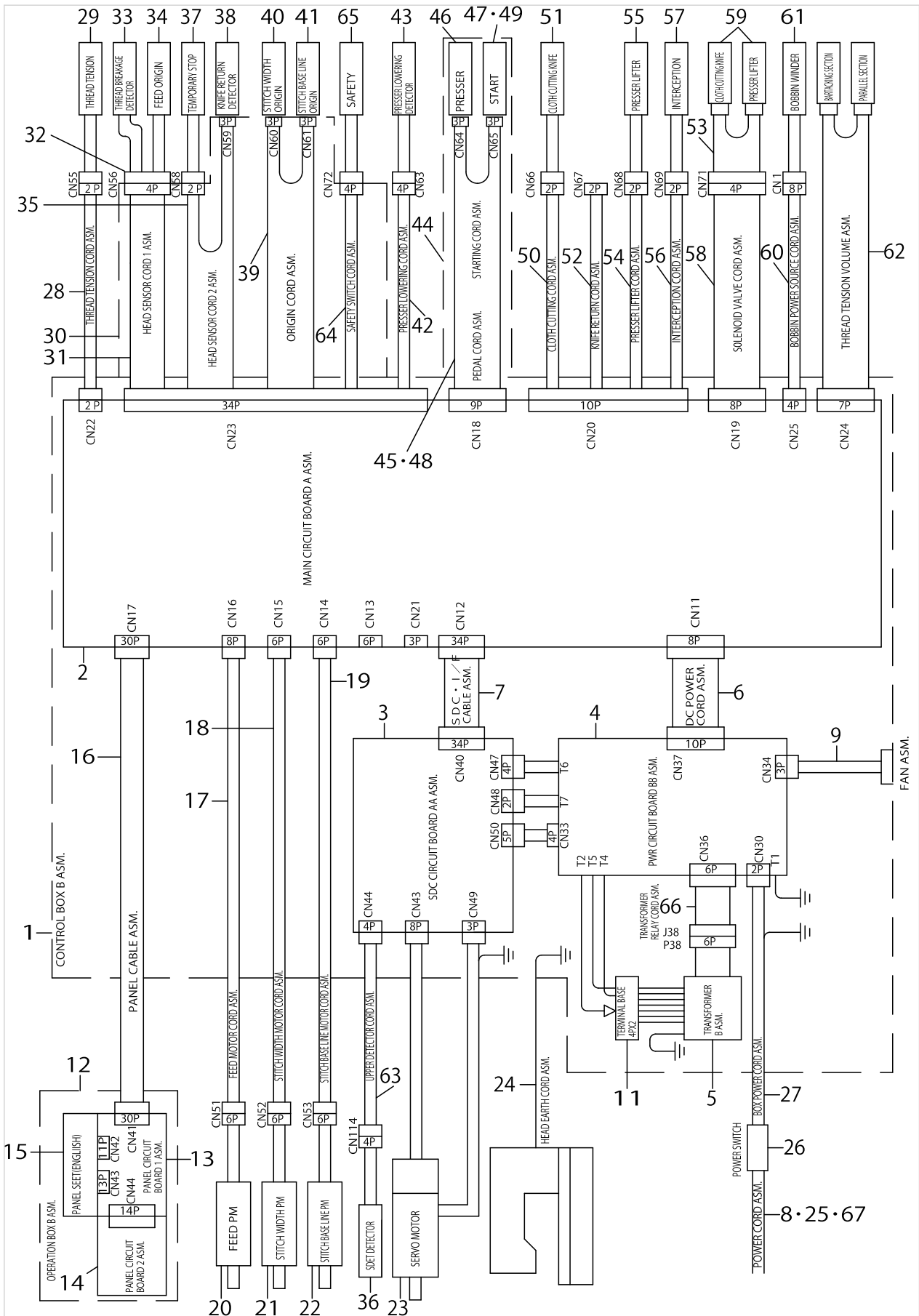
WIRING DIAGRAM (1)



WIRING DIAGRAM (1)

No.	Supply Code	Parts No.	Replacement	Parts name	Remarks	Choice	Step	Level	Cons	Qty	Rep. QTY
38		HD00057000A		PHOTO SENSOR						1	
39		M85096000A0		ORIGIN CORD ASM.						1	
40		HD00057000A		PHOTO SENSOR						1	
41		HD00057000A		PHOTO SENSOR						1	
42		M85116000A0		PRESSER DOWN CORD ASM.	AO TYPE ORAIRTYPE					1	
43	D	14512651		PRESSER LOWERING SENSOR ASM.	AO TYPE ORAIRTYPE					1	
44		M85205900A0		1-PEDAL ASM.	AO TYPE ORAIRTYPE					1	
45		M90115900A0		PEDAL SWITCH CABLE ASM.	AO TYPE ORAIRTYPE					1	
46	R	HD001350000	HD002230000	SENSOR	AO TYPE ORAIRTYPE					1	1.00
47	R	HD001350000	HD002230000	SENSOR	AO TYPE ORAIRTYPE					1	1.00
48	D	M85126000A0		START-UP CORD ASM.	2-PEDAL TYPE					1	
49		HD00057000A		PHOTO SENSOR	2-PEDAL TYPE					1	
50	D	M85136000A0A		CLOTH CUTTING K- NIFE CORD ASM.						1	
51	R	14510051	14510085	KNIFE DRIVING SOLENOID ASM.						1	1.00
52		M85266000A0		KNIFE RETURN CORD ASM.	OPTIONAL PART					1	
53		14514756		SOLENOID VALVE CABLE ASM.	AIR TYPE					1	
54		M85156000A0		PRESSER LIFT CORD ASM.	AO TYPE					1	
55	R	14514251	14514269	PRESSER LIFTER MAGNET ASM.	AO TYPE					1	1.00
56	D	M85146000A0		STOP-MOTION CORD ASM.	2-PEDAL TYPE					1	
57	D	14513055		STOP-MOTION SOLENOID ASM.	2-PEDAL TYPE					1	
58		M85176000A0		SOLENOID VALVE CORD ASM.	AIR TYPE					1	
59		14204655		SOLENOID VALVE ASM.	AIR TYPE					1	
60	D	M85246000A0		BOBBIN WINDER P- OWER CORD ASM.	OPTIONAL PART					1	
61	D	G50011980A0A		BOBBINWINDERASM.	OPTIONAL PART					1	
62	D	M85256000A0		TENSION VARIABLE RESISTOR	OPTIONAL PART					1	
63	D	M85276000A0		DETECTOR CORD ASM.						1	
64		M85286000A0		SAFETY SWITCH CORD ASM.						1	
65		14516652		SAFETY SWITCH ASM.						1	
66		M85306000A0		TRANSFORMER RE- LAY CORD ASM.						1	
67		M90355800A0		POWER SOURCE CORD ASM.	FOR JAPAN (1 φ 100V)					1	

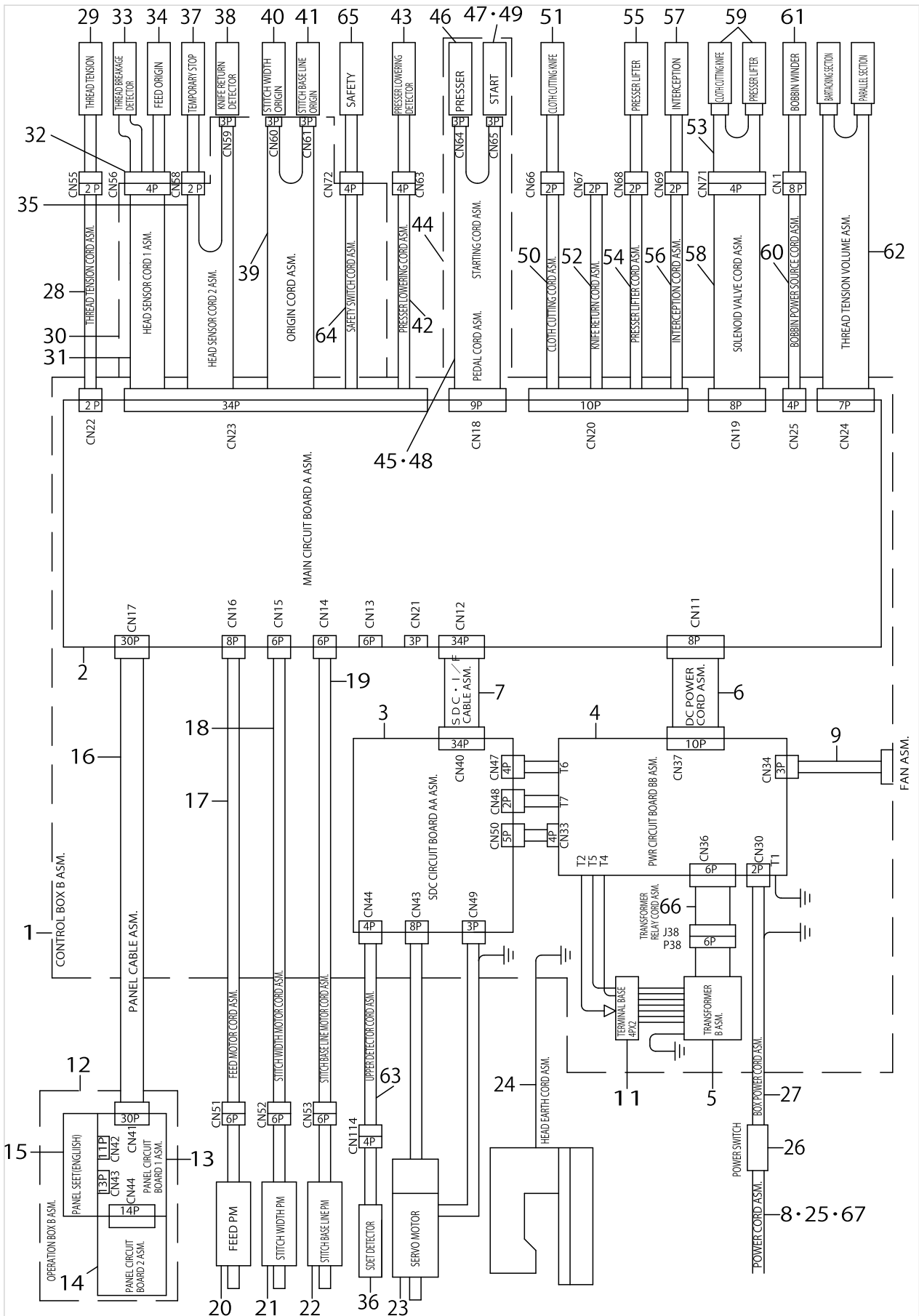
WIRING DIAGRAM (2)



WIRING DIAGRAM (2)

No.	Supply Code	Parts No.	Replacement	Parts name	Remarks	Choice	Step	Level	Cons	Qty	Rep. QTY
1	D	M1001600BA0		CONTROLBOXBASM.						1	
2	D	M8601600AA0B		MAIN CIRCUIT BOARD AA ASM.						1	
3	R	M8610610AAAA	40059871	SDC CIRCUIT BOARD AA ASM.		A	MOL-254 Japan			1	1.00
3	R	M8610610AAAA	40059869	SDC CIRCUIT BOARD AA ASM.		A	MOL-254 Japan			1	1.00
3	R	M8610610AAAA	40059871	SDC CIRCUIT BOARD AA ASM.		B	MOL-254 輸出/MOL- -254 Export			1	1.00
3	R	M8610610AAAA	40059870	SDC CIRCUIT BOARD AA ASM.		B	MOL-254 輸出/MOL- -254 Export			1	1.00
4	R	M8620610BAB	40050672	PWR CIRCUIT BOARD BB ASM.		A				1	1.00
4	R	M8620610BAB	40042767	PWR CIRCUIT BOARD BB ASM.		A				1	1.00
4	R	M8620610BAB	40059719	PWR CIRCUIT BOARD BB ASM.		A				1	1.00
5	R	M8901590BA0	M8901590BA0A	POWER TRANSFORMER B ASM.						1	1.00
6		M85196000A0		DC POWER CORD ASM.						1	
7		M85196100A0		SDC I/F CABLE ASM.						1	
8		M90245800A0		POWER CABLE ASM.,100V	FOR EXPORT(1φ)					1	
9		M85405800A0		FAN ASM.						1	
10		M85236000A0		INPUT CHANGEOVER CORD ASM.						1	
11		HK054250040		TERMINAL BASE						1	
12	D	M1010600BA0		OPERATION BOX B ASM.						1	
13	D	M86036000A0		PANEL CIRCUIT BOARD 1 ASM.				*		1	
14		M86046000A0		PANEL CIRCUIT BOARD 2 ASM.				*		1	
15	D	M300160000B		PANEL SEET (ENGLISH)				*		1	
16	R	M85206000A0	M90216200A0	PANEL CABLE ASM.				*		1	1.00
17	D	M85026000A0		FEED MOTOR CORD ASM.						1	
18		M85036000A0		STITCH WIDTH MO- TOR CORD ASM.						1	
19		M85046000A0		STITCH BASE LINE CORD ASM.						1	
20	D	14505101		FEED STEPPING MOTOR						1	
21	D	14507800		ZIGZAG WIDTH STEPPING MOTOR						1	
22		14506901		NEEDLE POSITION STEPPING MOTOR						1	
23	D	M6001610AA0		MOTOR A ASM.						1	
24		M90195800A0		EARTH CABLE ASM.						1	
25		M90175800A0		POWER CABLE ASM.	FOR EXPORT(3φ)					1	
26		HA004250000		SWITCH	EXCEPT JE					1	
27		M85216000A0		BOX POWER CORD ASM.						1	
28		M85066000A0		THREAD TENSION CORD ASM.						1	
29		14513154		THREAD TENSION SOLENOID ASM.						1	
30		M85186000A0		HED SENSOR CORD WHOLE ASM. 1						1	
31		M85076000A0		HED SENSOR CORD ASM. 1						1	
32		14505259		HEAD SENSOR ASM.						1	
33		14506059		THREAD BREAKAGE DETECTOR ASM.						1	
34		14505952		FEED ORIGIN SENSOR ASM.						1	
35		M85086000A0		HEAD SENSOR CORD 2 ASM.						1	
36		14404750		SDET SENSOR ASM.						1	
37		14511158		TEMPORARY STOP SWITCH ASM.						1	
38		HD00057000A		PHOTO SENSOR						1	

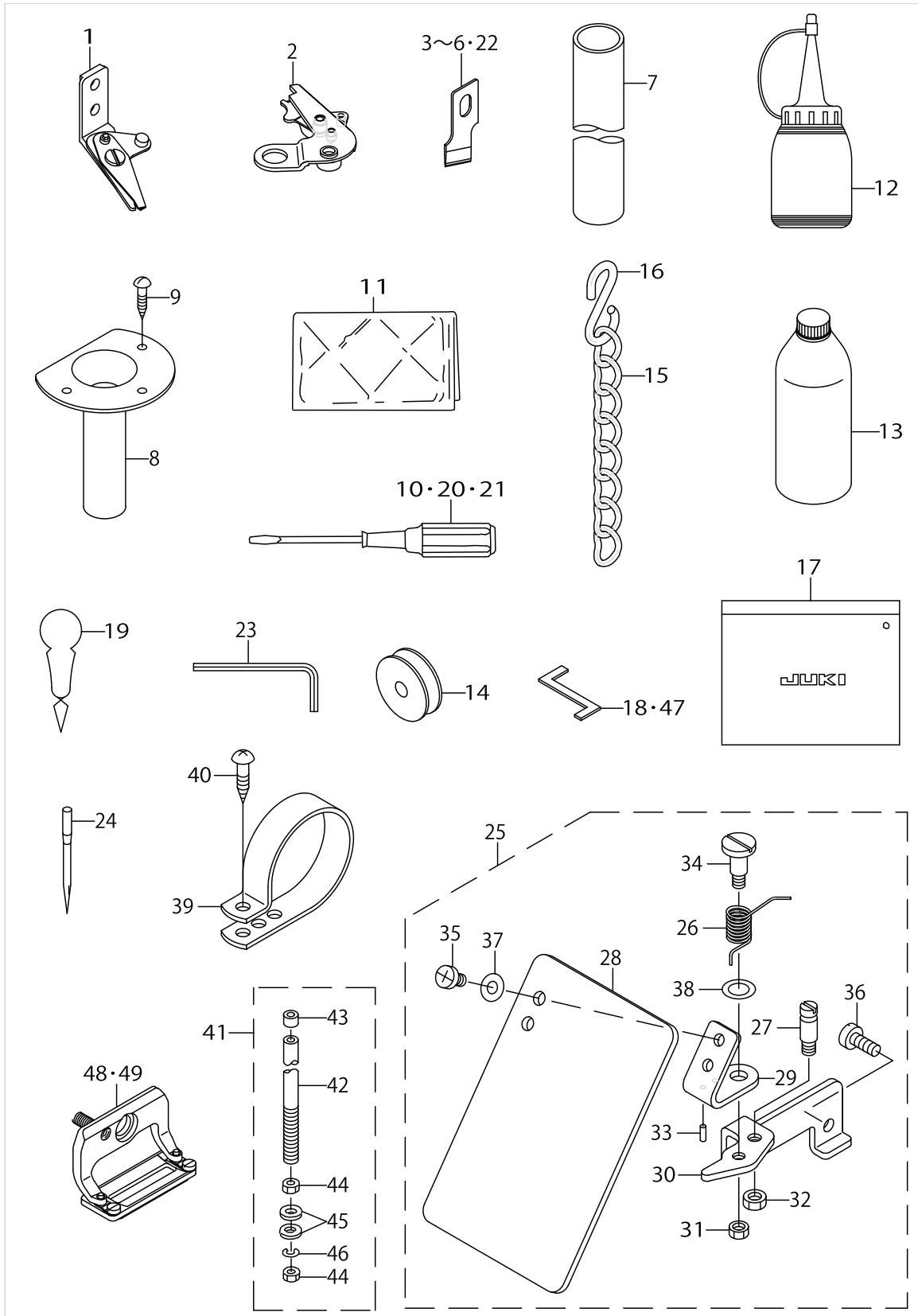
WIRING DIAGRAM (2)



WIRING DIAGRAM (2)

No.	Supply Code	Parts No.	Replacement	Parts name	Remarks	Choice	Step	Level	Cons	Qty	Rep. QTY
39		M85096000A0		ORIGIN CORD ASM.						1	
40		HD00057000A		PHOTO SENSOR						1	
41		HD00057000A		PHOTO SENSOR						1	
42		M85116000A0		PRESSER DOWN CORD ASM.	AO TYPE ORAIRTYPE					1	
43	D	14512651		PRESSER LOWERING SENSOR ASM.	AO TYPE ORAIRTYPE					1	
44		M85205900A0		1-PEDAL ASM.	AO TYPE ORAIRTYPE					1	
45		M90115900A0		PEDAL SWITCH CABLE ASM.	AO TYPE ORAIRTYPE					1	
46	R	HD001350000	HD002230000	SENSOR	AO TYPE ORAIRTYPE					1	1.00
47	R	HD001350000	HD002230000	SENSOR	AO TYPE ORAIRTYPE					1	1.00
48	D	M85126000A0		START-UP CORD ASM.	2-PEDAL TYPE					1	
49		HD00057000A		PHOTO SENSOR	2-PEDAL TYPE					1	
50	D	M85136000A0A		CLOTH CUTTING K- NIFE CORD ASM.						1	
51	R	14510051	14510085	KNIFE DRIVING SOLENOID ASM.						1	1.00
52		M85266000A0		KNIFE RETURN CORD ASM.	OPTIONAL PART					1	
53		14514756		SOLENOID VALVE CABLE ASM.	AIR TYPE					1	
54		M85156000A0		PRESSER LIFT CORD ASM.	AO TYPE					1	
55	R	14514251	14514269	PRESSER LIFTER MAGNET ASM.	AO TYPE					1	1.00
56	D	M85146000A0		STOP-MOTION CORD ASM.	2-PEDAL TYPE					1	
57	D	14513055		STOP-MOTION SOLENOID ASM.	2-PEDAL TYPE					1	
58		M85176000A0		SOLENOID VALVE CORD ASM.	AIR TYPE					1	
59		14204655		SOLENOID VALVE ASM.	AIR TYPE					1	
60	D	M85246000A0		BOBBIN WINDER P- OWER CORD ASM.	OPTIONAL PART					1	
61	D	G50011980A0A		BOBBINWINDERASM.	OPTIONAL PART					1	
62	D	M85256000A0		TENSION VARIABLE RESISTOR	OPTIONAL PART					1	
63	D	M85276000A0		DETECTOR CORD ASM.						1	
64		M85286000A0		SAFETY SWITCH CORD ASM.						1	
65		14516652		SAFETY SWITCH ASM.						1	
66		M85306000A0		TRANSFORMER RE- LAY CORD ASM.						1	
67		M90285800A0		POWER CABLE ASM.	FOR JE					1	

ACCESSORIE PART COMPONENTS

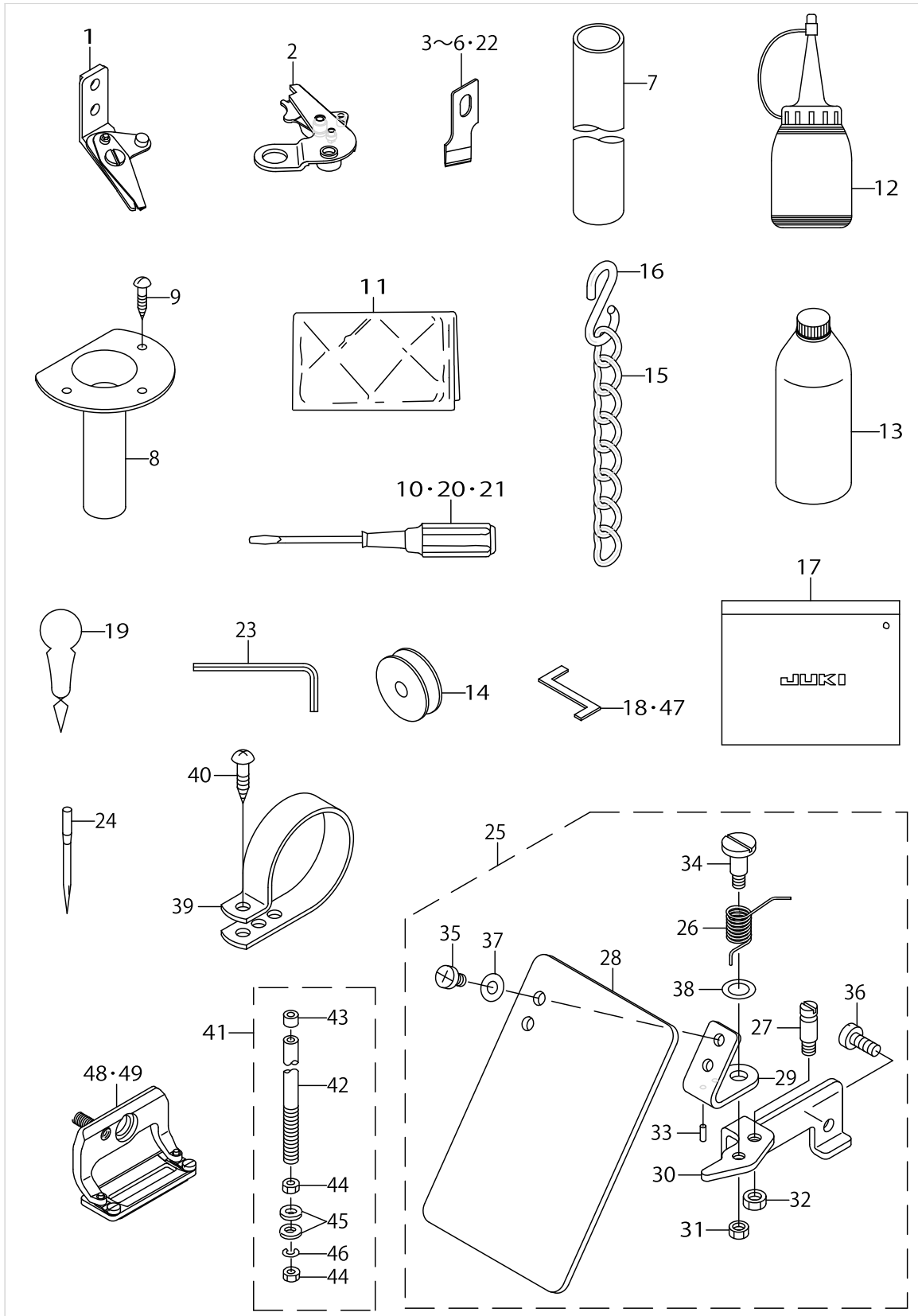


ACCESSORIE PART COMPONENTS

No.	Supply Code	Parts No.	Replacement	Parts name	Remarks	Choice	Step	Level	Cons	Qty	Rep. QTY
1		B20017710A0		NEEDLE THREAD TRIMMER ASM.						1	
2		13947866		BOBBIN THREAD T-RIMMER CONNEC.						1	
3		B2702047K00A		KNIFE 3/8	FOR 1700S*					1	
4		B2702047L00A		KNIFE 1/2	FOR 1702K*					1	
5		B2702047M00A		KNIFE 5/8						1	
6		B2702047Q00A		KNIFE 1	FOR 1700S*					1	
7		B9103771000		OIL DRAIN TUBE						1	
8	R	B8236771000	26234302	OIL REMOVING FUNNEL						1	1.00
9		SK3311601SE		WOOD SCREW D=3.1 L=16						3	
10	R	B9109555000	22933006	SCREW DRIVER, LARGE						1	1.00
11	R	B9118232000	26234005	VINYL COVER	FOR EXPORT					1	1.00
12		J1067000000		OILER						1	
13		MDFRX1600C0		DEFRIX OIL NO.1(600CC)						1	
14	R	B1811771000	40009148	BOBBIN						1	1.00
15	R	B8103980000	26037903	CHAIN	FOR 170**A					2	1.00
16	R	B8133019000	13160304	S SHAPED HOOK	FOR 170**A					4	1.00
17	R	B9101552000	22932800	ACCESSORY BOX						1	1.00
18		B9101771000		HOOK TIMING GAUGE	FOR 1700S*					1	
19		B9107761000		THREAD PASSING INSTRUMENT						1	
20	R	B9110012000	22933105	SCREW DRIVER, MIDDLE						1	1.00
21	R	B9111012000	22933204	SCREW DRIVER, SMALL						1	1.00
22		B2702047S00A		KNIFE 1-1/4	FOR 1700S*					1	
23		J1066000000D		HEXAGONAL WRENCH KEY						1	
24	R	MDP5J0B1102	MDP5J0B1100	NEEDLE DPX5 #11J-2						1	1.00
25	R	B31557810A0	40052419	SAFETY PLATE ASM.						1	1.00
26		13943204		SAFETY PLATE RETURN SPRING				*		1	
27	R	B1506352000	26226407	TENSION SPRING RACK B				*		1	1.00
28	R	B3120372000	26037200	SAFETY PLATE				*		1	1.00
29	R	B3121372000	26037309	SAFETY PLATE INS-TALLING PLATE				*		1	1.00
30	R	B3155781000	40009456	SAFETY PLATE INSTALLING BASE				*		1	1.00
31		NS6110310SP		NUT 11/64-40				*		1	
32		NS6120310SP		NUT 3/16-28				*		1	
33		PS0200062KH		SPRING PIN 2X6				*		1	
34		SD0601021SP		HINGE SCREW D=6 H=10.2				*		1	
35		SS4110715SP		SCREW 11/64-40 L=7				*		2	
36		SS6111140SP		SCREW 11/64-40L=11				*		1	
37		WP0450801SD		WASHER 4.5X10X0.8				*		2	
38		WP0740516SP		WASHER 7.4X11.8X0.5				*		1	
39		HX00150000R		CABLE CLAMP						2	
40		SK3412001SE		WOOD SCREW D=4.1 L=20						2	
41	R	13771456	40023920	HEAD SUPPORT ROD CONNEC.						1	1.00
42		G5405161A00		FRAME SUPPORT BAR				*		1	
43		13771704		RUBBER CAP				*		1	
44	R	B3317704000	NM6160511SE	NUT				*		2	1.00
45		WP1702600S0		WASHER 17X30X2.6				*		2	



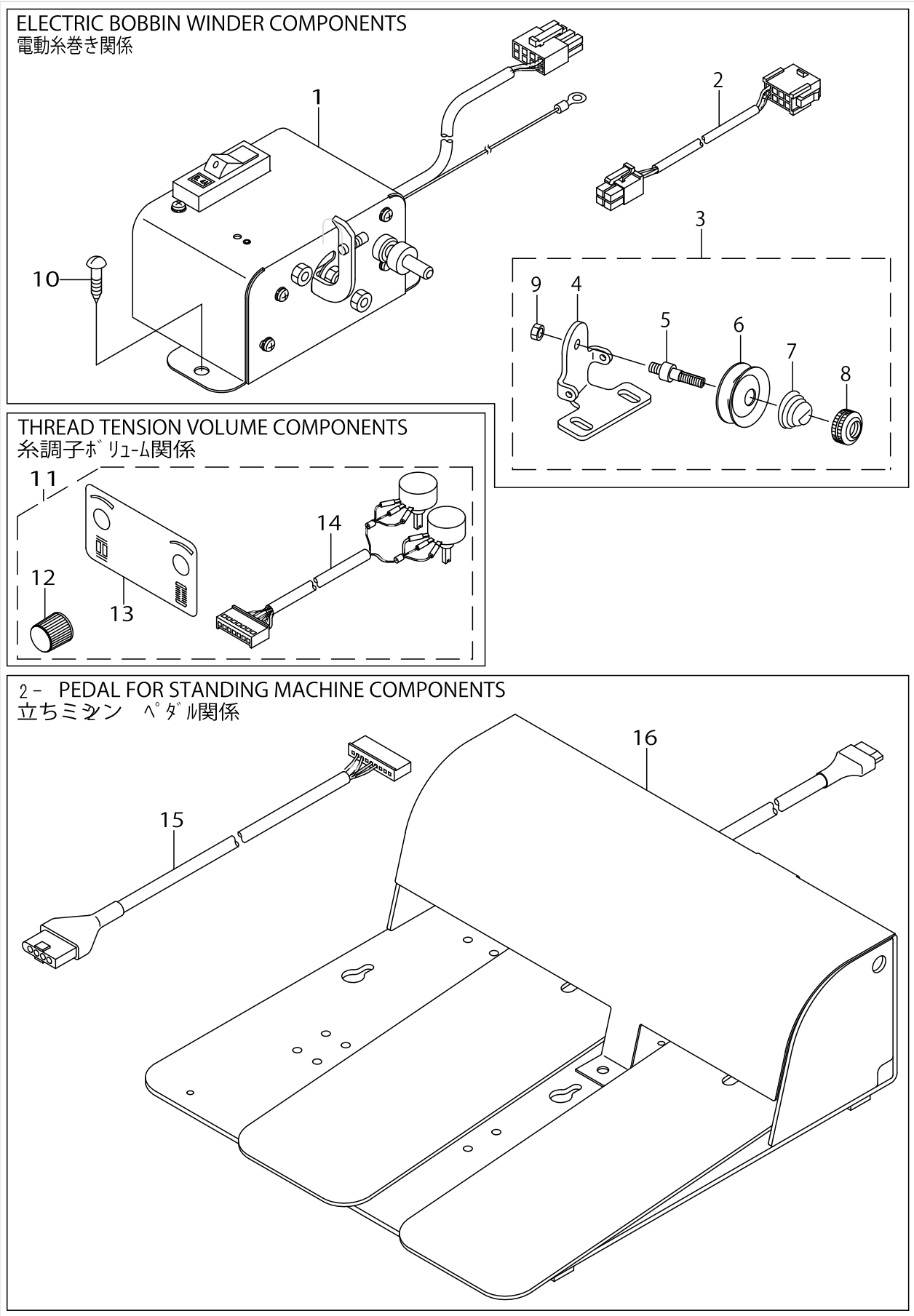
ACCESSORIE PART COMPONENTS



ACCESSORIE PART COMPONENTS

No.	Supply Code	Parts No.	Replacement	Parts name	Remarks	Choice	Step	Level	Cons	Qty	Rep. QTY
46	R	WS1643202KR	WP1612616SE	SPRING WASHER		A		*		1	2.00
46	R	WS1643202KR	40085796	SPRING WASHER		A		*		1	2.00
47		D9101771K00		HOOK TIMING GAUGE (K)	FOR 1702K*					1	
48		B15527820A0		PRESSER FOOT 2 ASM.	FOR 1700S*					1	
49		B15527830A0		PRESSER FOOT 3 ASM.	FOR 1700S*					1	

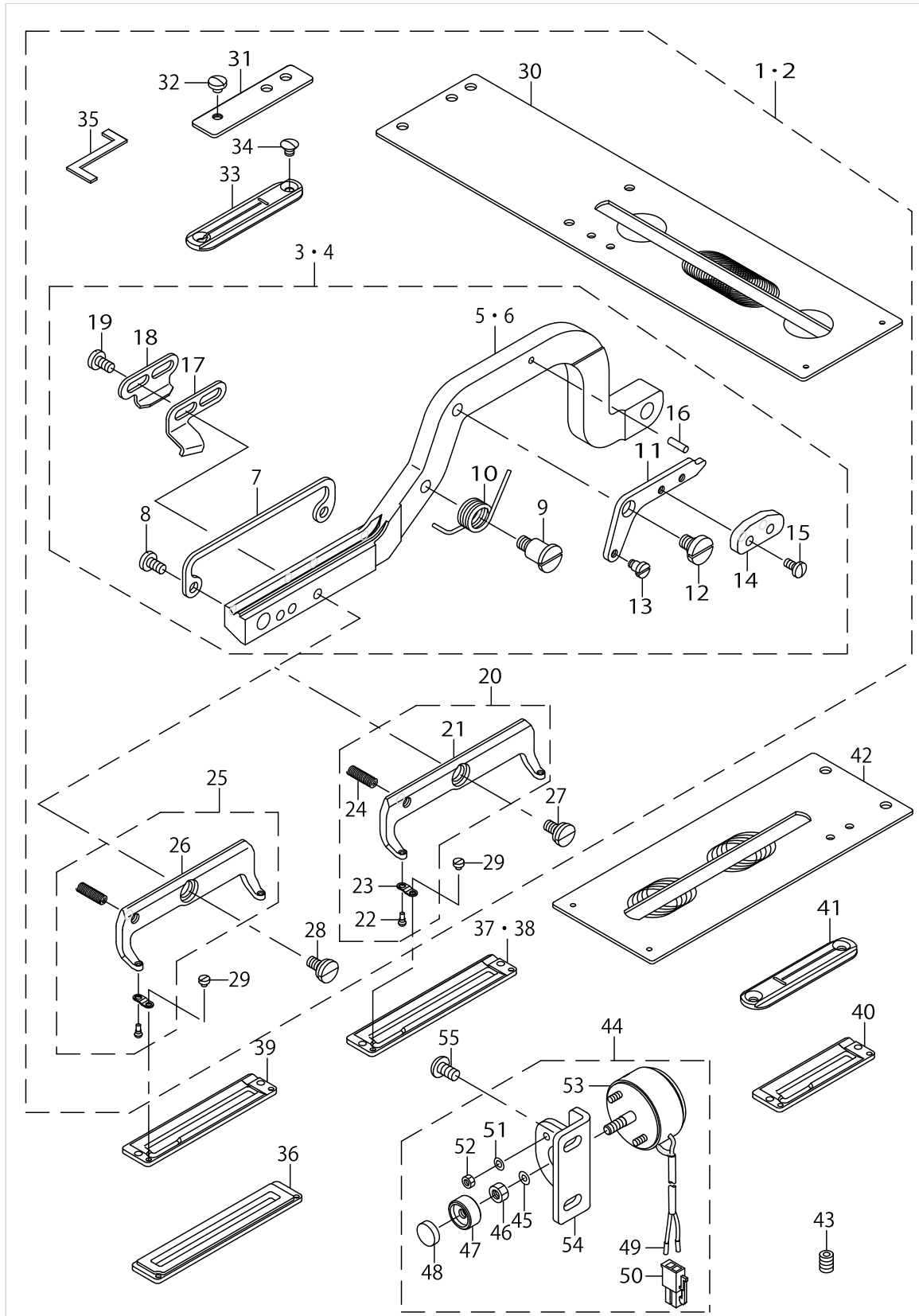
SPECIAL SPECIFICATIONS COMPONENTS(1)



SPECIAL SPECIFICATIONS COMPONENTS(1)

No.	Supply Code	Parts No.	Replacement	Parts name	Remarks	Choice	Step	Level	Cons	Qty	Rep. QTY
1	D	G50011980A0A		BOBBINWINDERASM.						1	
2	D	M85246000A0		BOBBIN WINDER P- OWER CORD ASM.						1	
3	R	B32217710A0	40053150	BOBBIN WINDER TE- NSION BRACKET						1	1.00
4	D	B3221771000		BOBBIN WINDER TE- NSION BRACKET				*		1	
5		B3219232000		BOBBIN WINDER TENSION POST				*		1	
6	R	B3214047000	22945802	BOBBIN WINDER TENSION DISC				*		2	1.00
7		B3218232000		BOBBIN WINDER TENSION SPRING				*		1	
8		B3216047000		BOBBIN WINDER TENSION NUT				*		1	
9		NS6110310SP		NUT 11/64-40				*		1	
10	R	SK3452000SC	SK3452001SE	WOOD SCREW D=4.5 L=20						4	1.00
11	D	M85256000B0		THREAD TENSION VOLUME ASM.						1	
12		HX001420000		KNOB				*		2	
13	D	M3002600000		LABEL				*		1	
14	D	M85256000A0		TENSION VARIABLE RESISTOR				*		1	
15		M90135900A0		PK57 TRANSFER CABLE ASM.	FOR 170**B,*C					1	
16		GPK510010B0		PEDAL SWITCH ASM.	FOR 170**B,*C					1	

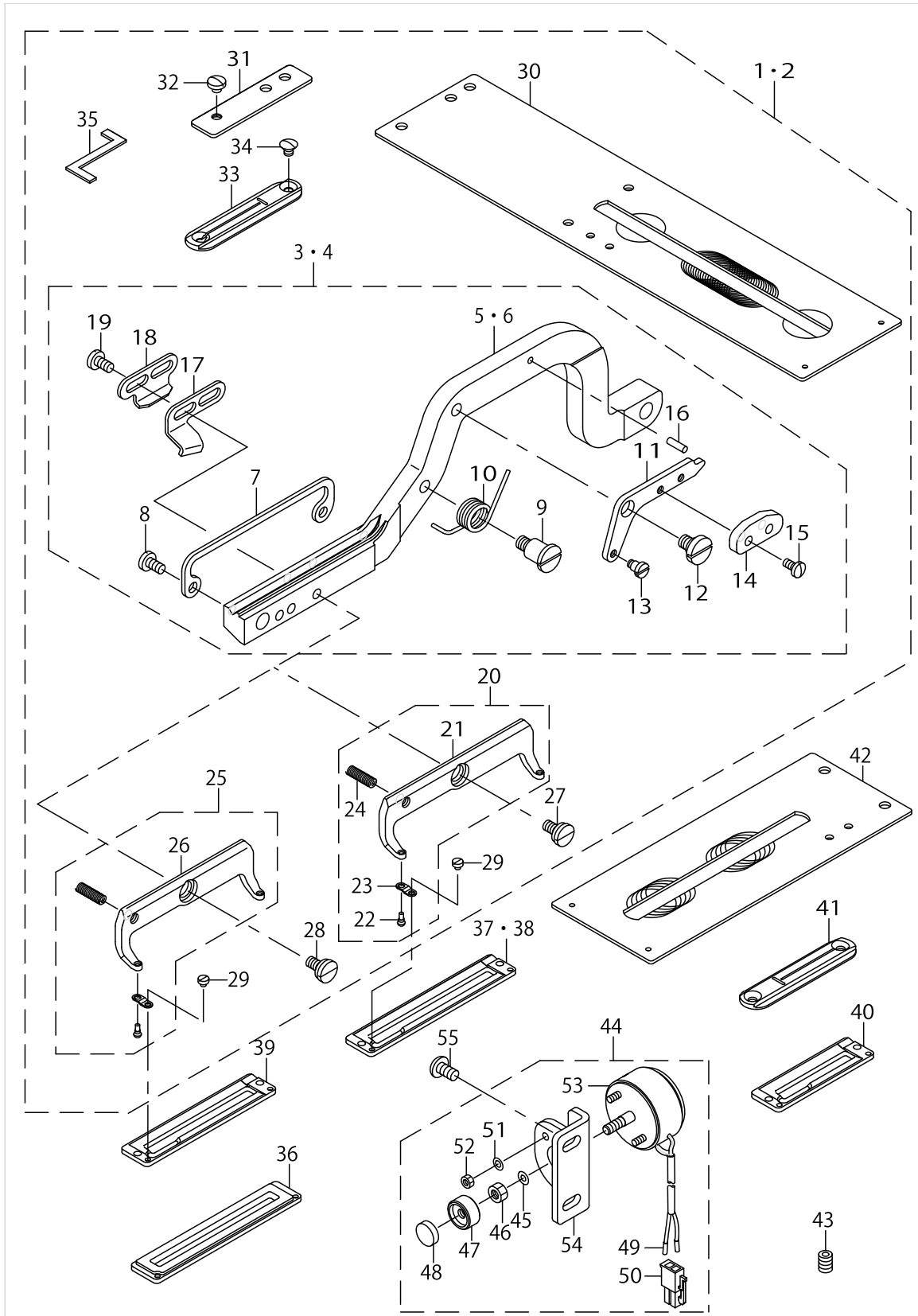
SPECIAL SPECIFICATIONS COMPONENTS(2)



SPECIAL SPECIFICATIONS COMPONENTS(2)

No.	Supply Code	Parts No.	Replacement	Parts name	Remarks	Choice	Step	Level	Cons	Qty	Rep. QTY
1	D	14523062		FEED 70MM SET	FOR FEED 70MM					1	
2	D	14523864		FEED 60MM SET	FOR FEED 60MM			*		1	
3	D	14523054		WORKCLAMP70ASM.	FOR FEED 70MM			*		1	
4		14523856		WORKCLAMP60ASM.	FOR FEED 60MM			*		1	
5		14523005		WORK CLAMP 70				*		1	
6	D	14523807		WORK CLAMP 60				*		1	
7		14523104		WORK CLAMP BKT.				*		1	
8		SS7110840SP		SCREW 11/64-40 L=7.8				*		2	
9	R	B2062781000	40009169	DRIVING CAM SPRING AXLE				*		1	1.00
10	R	B2061781000	40009168	DRIVINGCAMSPRING				*		1	1.00
11	R	B2059781000	40008608	DRIVING CAM INSTALLING PLATE				*		1	1.00
12		SD0790303SP		HINGE SCREW D= 7.94 H= 3.0				*		1	
13		SD0450401SP		HINGE SCREW D= 4.5 H= 4				*		1	
14	D	14523500		DRIVING CAM				*		1	
15		SS7090710SP		SCREW9/64-40L=6.8				*		2	
16		PS0300102K0		SPRING PIN 3.0X10				*		1	
17	R	B202077100A	40009190	NEEDLE THREAD T-RIMMER GUIDE (A				*		1	1.00
18	R	B202077100B	40009178	NEEDLE THREAD T-RIMMER GUIDE (B				*		1	1.00
19		SS7110840SP		SCREW 11/64-40 L=7.8				*		1	
20		14523252		WORK CLAMP CHECK HOLDER 70 ASM	FOR FEED 70MM			*		1	
21		14523203		WORK CLAMP CHECK HOLDER 70				*		1	
22		B151077100B		SPRING SET PIN B				*		2	
23		B1509761000		WORK CLAMP CHECK SPRING				*		2	
24		B1512761000		WORK CLAMP CHECK HOLDER SPRING				*		1	
25		14523955		WORK CLAMP CHECK HOLDER 60 ASM	FOR FEED 60MM			*		1	
26		14523906		WORK CLAMP CHECK HOLDER 60				*		1	
27		SD0790203SP		HINGE SCREW D=7.94 H=2				*		1	
28		SD0790203SP		HINGE SCREW D=7.94 H=2				*		1	
29		SS6060210SP		SCREW 3/32-56 L=1.9				*		2	
30		14523302		WORK CLAMP CARRIER 70				*		1	
31	D	14524201		WORK CLAMP SPACER				*		1	
32		SS7110340SP		SCREW 11/64-40 L= 3.2				*		1	
33		13797808		NEEDLE PLATE 2B				*		1	
34		SS2090530SP		SCREW9/64-40L=4.8				*		2	
35	D	13798004		HOOK TIMING GAUGE B				*		1	
36		14523708		URETHANE PRESSER 70						1	
37		14523401		PRESSER 70						1	
38	D	14524102		FLAT PRESSER 70						1	
39		14524003		FLAT PRESSER 60						1	
40		14524409		PRESSER	FOR SWING WIDTH 60MM					1	
41		13783501		THROAT PLATE(E)	FOR SWING WIDTH 60MM					1	
42	D	D1613773E00		WORK CLAMP CARRIER	FOR SWING WIDTH 60MM					1	
43		SS8150822TP		SCREW 15/64-28 L=8	FOR SWING WIDTH 60MM					1	

SPECIAL SPECIFICATIONS COMPONENTS(2)


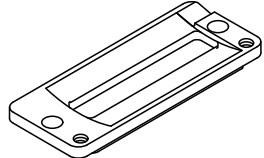


SPECIAL SPECIFICATIONS COMPONENTS(2)

No.	Supply Code	Parts No.	Replacement	Parts name	Remarks	Choice	Step	Level	Cons	Qty	Rep. QTY
44	D	14510853		KNIFE RETURN SOLENOID ASM.	FOR 170**A,170**B					1	
45	D	R0029180100		RUBBER RING				*		1	
46		NS6110420SP		NUT 11/64-40				*		1	
47		14517908		RETURN SHAFT				*		1	
48		B2015357000		PLUG				*		1	
49		HK034640000		PIN CONTACT				*		2	
50		HK03461002D		HOUSING				*		1	
51	R	WP0320500SF	WP0320500SC	WASHER 3.2X7X0.5				*		2	1.00
52		NM6030001SF		NUT M3				*		2	
53		14510804		KNIFE RETURN SOLENOID				*		1	
54		14517809		SOLENOID FITTING PLATE				*		1	
55		SS4120915SP		SCREW 3/16-28 L=9	FOR 170**A,170**B					2	



EXCHANGING PARTS

		Cloth Cutting Knife 布切りメス	Presser Foot (Length of Cloth Cutting Knife) 押え (布切りメス長さ)		
					
		標準 Standard	標準 Standard	メリヤス用 For Hoisier y	
inch	mm	Ref.no	Ref.no	Ref.no	
1/4	6.4	1	12 (6.4 ~ 19.1 mm)	15 (6.4 ~ 19.1 mm)	
3/8	9.5	2			
1/2	12.7	3			
5/8	15.9	4			
3/4	19.1	5			
7/8	22.2	6			
1	25.4	7			
1 1/4	31.8	8			
		9	13 (6.4 ~ 25.4 mm)	16 (6.4 ~ 25.4 mm)	
		10	14 (6.4 ~ 31.8mm)	17 (6.4 ~ 31.8 mm)	
		11			

EXCHANGING PARTS

No.	Supply Code	Parts No.	Replacement	Parts name	Remarks	Choice	Step	Level	Cons	Qty	Rep. QTY
1		B2702047F00		KNIFE 1/4						1	
2		B2702047K00A		KNIFE 3/8						1	
3		B2702047I00		KNIFE (7/16)						1	
4		B2702047L00A		KNIFE 1/2						1	
5		B2702047V00		KNIFE 9/16						1	
6		B2702047M00A		KNIFE 5/8						1	
7		B2702047A00		KNIFE 11/16						1	
8		B2702047N00		KNIFE 3/4						1	
9		B2702047P00		KNIFE 7/8						1	
10		B2702047Q00A		KNIFE 1						1	
11		B2702047S00A		KNIFE 1-1/4						1	
12		B1552781000A		PRESSER						1	
13		B1552782000		WORK CLAMP CHECK, 2						1	
14		B1552783000		WORK CLAMP CHECK, 3						1	
15		D1508771K00A		LATCH WORK CLAMP CHECK						1	
16		D1508772K00		WORK CLAMP CHECK (2K)						1	
17		D1508773K00		WORK CLAMP CHECK (3K)						1	

LIST FOR INFORMATION OF CHANGE

As to the place changed, refer to the corresponding Rev.No.  
 When previous parts(Obsoleted part)and new parts(Added parts)are  
 not interchangeable with each other:  
 In this case,even obsoleted parts(D.)can be ordered with the  
 obsoleted part number,so select the parts with changed dates and  
 place your orders.

変更箇所は、該当Rev.No.版をご参照ください。  
 部品の互換性がない変更の場合は、削除された品番でも、ご注文できます。

29330008  
 No.1263-02 Rev.No.

\*A:Added parts追加部品/D:Obsoleted parts削除部品/E:Erratum訂正

* Rev. No.	Page 頁	Ref. No.	Parts No. 品番	* Rev. No.	Page 頁	Ref. No.	Parts No. 品番
				A	02	2 74	WP-0480856-SP
D 01	8	31	TA-1050504-RO				
D 01	12	17	SD-0790801-SP	A	02	12 17	NS-6110420-SP
				A	02	12 48	14517007
				A	02	12 49	14517106
				A	02	12 50	14517205
				A	02	12 51	14517304
				A	02	12 52	SS-7110740-TP
D 01	14	6	SS-9150860-SP	A	02	14 6	SS-8150822-TP
D 01	16	6	14512354	A	02	16 6	B2063-781-0A0A
D 01	18	50	SS-6121010-SP	A	02	18 50	SS-6120940-SP
				A	02	26 41	B3013-141-H0A
				A	02	26 42	BP-4000000-00
				A	02	26 43	CQ-2000000-00
				A	02	28 24	GSK-01008000
D 01	32	1	M8601-600-AA0	A	02	32 1	M8601-600-AA0B
D 01	32	2	M8610-610-AAA	A	02	32 2	M8610-610-AAAA
D 01	32	10	M8601-590-BA0	A	02	32 10	M8901-590-BA0A
D 01	32	11	M8601-590-BA0	A	02	32 11	M8901-590-AA0A
D 01	32	56	24003600				
D 01	32	57	NM-6060001-SE	A	02	32 57	NM-6060001-SC
D 01	32	65	SK-3512001-SE	A	02	32 65	SK-3512001-SF
				A	02	32 69	CM-2001000-01
D 01	36	2	M8601-600-AA0	A	02	36 2	M8601-600-AA0B
D 01	36	3	M8610-610-AAA	A	02	36 3	M8610-610-AAAA
D 01	36	50	M8513-600-0A0	A	02	36 50	M8513-600-0A0A
D 01	38	2	M8601-600-AA0	A	02	38 2	M8601-600-AA0B
D 01	38	3	M8610-610-AAA	A	02	38 3	M8610-610-AAAA
D 01	38	50	M8513-600-0A0	A	02	38 50	M8513-600-0A0A
				A	02	44	ALL PARTS - 全部

## HOW TO MAKE USE OF THIS PARTS LIST

### 1.Explanation of codes

1)"\*"mark.....means this part is changed from the previous parts book.

As to the details of the change, refer to the "List for information of change".

2)"#01".....refer to "Note" explanation at bottom of page.

### 2.Codes on the "Qty" column

- Each numeral indicates the number of parts required.
- "0.1" and "2.5" indicate the length (in meters) of the respective parts.

3.Parentheses mean that the corresponding part is a subpart that constructs an assembly part.

4.Dotted lines on the Figures indicate assembly parts.

### 1."注記"欄の記号説明

1) "\*"印.....前回のパーツブックに比較して今回変更された部品を意味します。

変更内容は、"変更情報リスト"を参照してください。

2) "#01".....ページ下の"注記"の説明を参照してください。

2.数量欄の数字は、個数を表し、0.1、2.5等の数値は、長さ（単位メートル）を表します。

3.数量欄の（ ）は、組部品を構成している子部品であることを意味します。

4.イラストページの-----枠は、組構成であることを意味します。

# NUMERICAL INDEX OF PARTS

PART NO	PAGE	REF NO.	PART NO	PAGE	REF NO.	PART NO	PAGE	REF NO.
10004109	2	1	13729769	14	1	14501100	2	35
10120004	36	26	13735808	32	17	14501159	2	34
10216703	46	31	13735956	32	9	14501209	4	44
10502300	6	26	13736103	32	10	14501308	4	58
10618304	6	8	13736202	32	5	14501407	4	60
11023504	2	14	13736350	32	16	14502405	2	30
11023504	46	25	13736509	32	19	14502454	2	29
11030301	8	63	13737408	32	34	14502504	10	1
11072402	6	2	13738802	38	49	14502603	10	25
11093606	6	3	13739107	32	3-30	14502702	10	36
11155108	48	3	13747001	38	46	14502801	10	38
11155207	48	4	13771456	70	41	14502959	10	44
11157559	48	39	13771704	70	43	14503205	10	41
11157567	48	38	13775606	40	3	14503551	12	58
11157666	48	9	13775705	40	4	14503700	12	61
11157765	48	10	13782065	14	3-31	14503809	10	39
11157963	48	11	13782305	32	3-30	14503908	10	33
11158060	48	12	13783501	76	41	14504203	14	18
11158300	48	13	13796305	28	28	14504302	14	25
11158409	48	14	13797808	76	33	14504401	14	23
11158516	48	21	13798004	76	35	14504500	14	24
11158607	48	15	13817754	48	25	14504609	14	27
11158706	50	49	13911003	2	6	14504807	14	14
11158805	48	40	13943204	70	26	14505002	18	64
11158904	48	44	13947858	32	11	14505101	16	38
11159001	48	41	13947866	32	8	14505101	62	20
11211000	20	11	13947866	70	2	14505101	66	20
11823200	30	62	13948005	32	27	14505259	16	37
13521307	40	26	14110407	16	36	14505259	62	32
13530209	16	40	14110407	24	26	14505259	66	32
13530209	46	39	14204655	52	14	14505309	18	46
13700406	4	52	14204655	64	59	14505408	18	47
13700505	4	53	14204655	68	59	14505507	18	48
13700604	4	54	14404750	12	57	14505606	18	49
13700703	4	51	14404750	62	36	14505705	18	50
13700802	30	66	14404750	66	36	14505804	18	51
13706601	8	50	14500250	2	8	14505952	62	34
13716907	10	45	14500300	2	9	14505952	66	34
13719802	8	52	14500409	2	11	14506059	62	33
13722400	40	21	14500508	2	12	14506059	66	33
13727102	14	5	14500607	2	4	14506109	32	31
13727904	14	26	14500706	2	13	14506208	20	28
13728506	46	34	14500805	2	21	14506356	20	24
13729066	14	3-31	14500904	2	24	14506406	24	9
13729306	14	4	14501001	2	25	14506505	24	17

# NUMERICAL INDEX OF PARTS

PART NO	PAGE	REF NO.	PART NO	PAGE	REF NO.	PART NO	PAGE	REF NO.
14506653	24	19	14510853	78	44	14516652	40	43
14506802	24	20	14510911	36	32	14516652	64	65
14506901	24	24	14511000	38	59~62	14516652	68	65
14506901	62	22	14511158	40	1	14516751	40	45
14506901	66	22	14511158	62	37	14516801	42	55
14507008	24	27	14511158	66	37	14516900	42	46
14507156	24	33	14511356	40	6	14517007	22	48
14507305	24	38	14511505	40	7	14517106	22	49
14507404	24	18	14511604	40	8	14517205	22	50
14507602	24	34	14511703	40	9	14517304	22	51
14507701	24	35	14511802	40	16	14517502	36	30
14507800	24	25	14511901	40	17	14517700	36	19
14507800	62	21	14512057	40	35	14517809	78	54
14507800	66	21	14512206	40	41	14517908	78	47
14507958	32	29	14512503	6	24	14523005	76	5·6
14507966	32	1·2	14512651	30	63	14523054	76	3·4
14508105	32	23	14512651	64	43	14523062	76	1·2
14508204	32	25	14512651	68	43	14523104	76	7
14508303	32	32	14512701	30	64	14523203	76	21
14508402	32	36	14512859	6	10	14523252	76	20
14508501	32	39	14512867	6	7	14523302	76	30
14508600	32	41	14513055	40	2	14523401	76	37
14508709	34	48	14513055	64	57	14523500	76	14
14508808	32	45	14513055	68	57	14523708	76	36
14509053	32	1·2	14513154	6	30	14523807	76	5·6
14509202	34	65	14513154	62	29	14523856	76	3·4
14509301	38	59~62	14513154	66	29	14523864	76	1·2
14509400	38	59~62	14513204	6	33	14523906	76	26
14509509	38	59~62	14513303	6	34	14523955	76	25
14509608	36	6	14513451	6	38	14524003	76	39
14509707	36	18	14513808	6	37	14524102	76	38
14509806	36	23	14514004	44	3	14524201	76	31
14509905	36	2	14514103	44	5	14524409	76	40
14510051	64	51	14514251	44	2	17007402	48	16
14510051	68	51	14514251	64	55	17845009	56	20
14510077	36	29	14514251	68	55	22502504	8	57
14510085	36	28	14514269	44	1	22529473	6	5
14510119	36	34	14514301	44	13·14	22529481	6	1
14510200	36	37	14514517	30	59·68	22537658	6	9
14510309	36	44	14514756	52	13	22538151	6	11
14510408	36	1	14514756	64	53	22538409	6	13
14510507	38	55	14514756	68	53	22538706	8	61
14510606	38	56	14514905	48	1	22538805	12	72
14510705	38	52	14516009	46	1	22538904	6	14
14510804	78	53	14516603	40	44	22920706	8	48

# NUMERICAL INDEX OF PARTS

PART NO	PAGE	REF NO.	PART NO	PAGE	REF NO.	PART NO	PAGE	REF NO.
22930309	54	14	B1404761000	12	64	B1513771000	16	17
22930358	54	1	B1404771000	20	32	B1515210D00	36	35
22930408	54	10	B1405771000	20	34	B1515771000	16	10
22930507	54	9	B1406761000	20	1	B1517761000	16	34
22930705	54	7	B1407761000	20	36	B152989000CA	6	17
22930804	54	5	B1408761000	20	40	B1534816000	40	25
22930903	54	4	B1409761000	12	67	B1551781000	18	65
22931000	54	3	B1410771000	20	5	B1552781000A	16	26
22931109	54	2	B14117710A0	20	2	B1552781000A	80	12
22931208	54	15	B1414232000	20	4	B15527810A0A	16	20
22931307	54	11	B1414771000	20	14	B1552782000	80	13
22931406	54	8	B14147710A0	20	13	B15527820A0	72	48·49
23636202	6	12	B1415761000	20	19	B1552783000	80	14
23636707	6	18	B1416761000	20	20	B15527830A0	72	48·49
23638109	42	49	B1417761000	24	16	B1613771000B	18	59
23638208	42	51	B1418761000	24	10	B1626210000	40	37
23638307	42	50	B1419026000	46	37	B1631012B00	40	31
23638406	42	52	B1419761000	24	14	B1801761000	14	15
A321600100A	6	15	B1421761000	24	7	B1804761000	14	8
B111677100A	2	2	B1425771000	24	1	B18057710A0	14	7
B1116804000	40	33	B1432761000	40	39	B1811761000A	14	13
B1125761000	4	57	B1433761000	24	23	B1811771000	14	2
B1134771000	2	23	B1446761A00	20	25	B1811771000	70	14
B1140761000	4	69	B145177100A	20	44	B182024600B	36	25
B1144210000	12	63	B1452771000	20	8	B1850512000	46	20
B1145771000	2	5	B1453761000	40	38	B1901761000	10	4
B1147125000	12	68	B1501771000	16	2	B19017710A0	10	2
B1148555000	6	16	B1502771000A	16	12	B1902761000	10	5
B1152771000	2	3	B1503771000	16	11	B1903552000	10	13
B1153771000	4	48	B1504771000	16	9	B1905541A00	10	6~9
B1202771000	10	17	B1505761000	16	7	B1905541B00	10	12
B1203012000	10	23	B15057610A0	16	6	B1905541C00	10	6~9
B1203771000	10	3	B1506352000	70	27	B1905541D00	10	6~9
B1204761000	10	11	B1506761000	16	4	B1908541000	10	10
B1205771000A	10	29	B1507761000	16	3	B20017710A0	28	2
B1208552000A	10	28	B1509012000	16	1	B20017710A0	70	1
B1211980000	12	55	B1509761000	16	29	B2007771000	28	24
B1214038000	46	11	B1509761000	76	23	B2008771000	28	4
B1215552000	10	14	B151077100B	16	30	B2009771000	28	21
B1220771000	12	56	B151077100B	76	22	B2010771000	28	19
B1223771000	10	16	B1511771000B	16	21	B2012771000	28	22·23
B1401761000	20	41	B1511772000A	16	28	B2013771000	28	1
B1402761000	20	38	B1512761000	16	31	B2014771000	28	25
B14027610A0	20	37	B1512761000	76	24	B2015357000	24	40
B1403771000	20	31	B1513210D00	38	63	B2015357000	30	57

# NUMERICAL INDEX OF PARTS

PART NO	PAGE	REF NO.	PART NO	PAGE	REF NO.	PART NO	PAGE	REF NO.
B2015357000	78	48	B2702047K00A	70	3~6·22	B3221771000	74	4
B2017372000	6	45	B2702047K00A	80	2	B32217710A0	74	3
B20177710A0	28	31	B2702047L00A	36	15	B3317704000	70	44
B202077100A	28	42	B2702047L00A	70	3~6·22	B34027710A0	30	51
B202077100A	76	17	B2702047L00A	80	4	B3403761000	30	55
B202077100B	28	43	B2702047M00A	70	3~6·22	B3404771000	30	48
B202077100B	76	18	B2702047M00A	80	6	B34057710A0	30	47
B2023761000	28	30	B2702047N00	80	8	B3406761000	30	52
B2024771000	28	29	B2702047P00	80	9	B34087710A0	30	54
B2027771000	28	41	B2702047Q00A	36	14	B3413227000	26	46
B2030771000	28	32	B2702047Q00A	70	3~6·22	B3413227000	32	38
B2031771000	28	37	B2702047Q00A	80	10	B3413552000	40	32
B2032771000	28	38	B2702047S00A	70	3~6·22	B3508220000	46	28
B20517810A0A	28	8	B2702047S00A	80	11	B3523980000	46	26
B2053781000	28	22·23	B2702047V00	80	5	B3527112000	14	10
B2059781000	28	14	B2702210000	8	58	B3534012000	46	9
B2059781000	76	11	B2703210000	8	59	B3534155000	46	10
B2060781000	28	16	B2704761A00	36	7~10	B3535581000	14	12
B2061781000	28	11	B2704761B00	36	7~10	B3537581000	14	11
B2061781000	76	10	B2704761C00	36	7~10	B3540771000	46	14
B2062781000	28	12	B2704761D00	36	7~10	B3541012000	10	27
B2062781000	76	9	B2706761000	36	5	B3541012000	20	12
B20637810A0A	28	6	B2707761000	36	4	B35415810A0	14	9
B2410980000	12	46	B2714761000	30	60	B3541771000	46	12
B2410980000	40	36	B2752781000	36	20	B3542771000	46	32
B2411771000	34	52	B2753781000	36	21	B3545771000	46	19
B2412047000	34	62	B3013141H0A	46	41	B3546771000	46	17
B2413771000	34	55	B3110771000	6	44	B3549771000	46	4
B2414761000	34	58	B3111761000	6	39	B3561771000	12	65
B2416761000	34	53	B3112761000	6	43	B3566771000	46	3
B2416761000	40	14	B3114771000	8	55	B3568771000	46	5
B2421771000	32	40	B3118771000	8	54	B3569771000	46	18
B242328000A	32	14	B3120372000	70	28	B3570771000	46	16
B2423771000	32	44	B3121372000	70	29	B3571771000	46	2
B2424771000A	32	42	B3125012000	6	42	B81017710A0	48	7
B2507372000	28	26	B3126012000	6	40	B8103980000	70	15
B2509704000	18	55	B3130761000A	16	13	B81085550A0	48	19
B2561205000A	34	46	B3155781000	70	30	B8133019000	70	16
B2605771000	30	56	B31557810A0	70	25	B8153771000	48	26
B2615232000	10	15	B3212761000	6	19	B8211206000	52	7
B26207710A0A	40	5	B3214047000	6	4	B8236771000	70	8
B2701761000	36	12	B3214047000	74	6	B8404352000	28	33
B2702047A00	80	7	B3216047000	74	8	B9101552000	70	17
B2702047F00	80	1	B3218232000	74	7	B9101771000	70	18·47
B2702047I00	80	3	B3219232000	74	5	B9103771000	70	7



NUMERICAL INDEX OF PARTS

PART NO	PAGE	REF NO.	PART NO	PAGE	REF NO.	PART NO	PAGE	REF NO.
B9107761000	70	19	D8115555B00	48	43	HX000930000	58	64
B9109555000	70	10·20·21	D8204555D00	48	6	HX001230000	42	58
B9110012000	70	10·20·21	D9101771K00	72	18·47	HX00123000B	56	21
B9111012000	70	10·20·21	E9567319000	58	55	HX001420000	74	12
B9118232000	70	11	E9609603000	58	68	HX00147000C	56	16
BP400000000	10	70	EA9500B0100	38	51	HX00147000D	56	24
BP400000000	12	70	EA9500B0100	42	48	HX00150000D	4	70
BP400000000	46	42	EA9500B0100	46	38	HX00150000F	4	64
BP600000000	12	69	EA9500B0100	58	56	HX00150000R	70	39
BT0400251EA	36	40	EA9500B0200	16	42	HX00292000A	4	66
BT0400251EA	46	29	EA9500B0200	38	53	HX00326000L	48	2
BT0400251EB	36	39	G50011980A0A	64	61	HX00326000L	56	17
BT0400251EB	44	27	G50011980A0A	68	61	HX003390000	56	23
BT0500300EA	46	7	G50011980A0A	74	1	HX004070000	56	18
BT0500300EG	46	30	G5214164000	30	59·68	HX004100000	56	19
BT0600401EB	52	1	G5405161A00	70	42	HX004540000	4	67
CM200100001	58	69	G5412171000	44	24	HX005210000	8	64
CM300100001	58	54	G5414171000	44	17	J106600000D	70	23
CM300100101	58	53	G5416171000	44	16	J1067000000	70	12
CM300200001	2	40	G8039870000	14	29	M1001590000	56	6
CM3002000B1	2	41	GPF060600A0	48	28	M1001600AA0	62	1
CM3002000C1	2	42	GPF06080000	48	29	M1001600BA0	66	1
CM300200101	2	39·43	GPK510010B0	74	16	M10025800A0	56	7
CM3002001A1	2	39·43	GSK01008000	48	24	M10026000A0	56	8
CQ200000000	46	43	HA004250000	58	63	M1010600000	60	8
CQ202000000	10	20	HA004250000	62	26	M1010600AA0	60	1·2
CQ202000000	20	29	HA004250000	66	26	M1010600AA0	62	12
CQ252000000	12	66	HD00057000A	24	28	M1010600BA0	60	1·2
CQ252000000	20	33	HD00057000A	36	36	M1010600BA0	66	12
CQ252000000	24	15	HD00057000A	40	18	M1011580000	60	11
CQ303000000	14	32	HD00057000A	64	47·49	M10175800A0	60	15
CS0951019SH	20	26	HD00057000A	66	47·49	M1031580000	60	10
CS1111019SH	24	4	HD00057000A	68	47·49	M10315800A0	60	9
CS1471212SH	12	53	HD001350000	64	47·49	M1032580000	60	13
CS147121ASH	12	52	HD001350000	68	47·49	M2001600000	60	14
D1508771K00A	80	15	HF001301000	58	45·46	M300160000A	60	5·6
D1508772K00	16	33	HF0084063P0	58	45·46	M300160000A	62	15
D1508772K00	80	16	HK026650080	56	14	M300160000B	60	5·6
D1508773K00	80	17	HK026650080	62	11	M300160000B	66	15
D1511772KA0	16	27	HK03461002D	78	50	M3002600000	74	13
D1613773E00	76	42	HK034610040	42	54	M3003580000	58	44·47
D3162555B00	6	46	HK034640000	78	49	M300359000A	58	60·61
D6056555B00	4	59	HK054250040	56	15	M300359000B	58	60·61
D6056555B00	44	15	HK054250040	66	11	M300451100A	58	44·47
D8113555B00	48	42	HM000860010	56	13	M3009510000	56	36

# NUMERICAL INDEX OF PARTS

PART NO	PAGE	REF NO.	PART NO	PAGE	REF NO.	PART NO	PAGE	REF NO.
M6001610AA0	10	31	M85196000A0	66	6	M86046000A0	60	4
M6001610AA0	62	23	M85196100A0	62	7	M86046000A0	62	14
M6001610AA0	66	23	M85196100A0	66	7	M86046000A0	66	14
M8002430000	2	37	M85205900A0	44	29	M8610610AAAA	56	2
M85026000A0	18	61	M85205900A0	64	44	M8610610AAAA	62	3
M85026000A0	62	17	M85205900A0	68	44	M8610610AAAA	66	3
M85026000A0	66	17	M85206000A0	60	7	M8620600AAB	56	3·4
M85036000A0	24	44	M85206000A0	62	16	M8620600AAB	62	4
M85036000A0	62	18	M85206000A0	66	16	M8620610BAB	56	3·4
M85036000A0	66	18	M85216000A0	58	39·52	M8620610BAB	66	4
M85046000A0	26	45	M85216000A0	62	27	M8901590AA0	62	5
M85046000A0	62	19	M85216000A0	66	27	M8901590AA0A	56	10·11
M85046000A0	66	19	M85226000A0	58	39·52	M8901590BA0	66	5
M85066000A0	6	29	M85236000A0	56	5	M8901590BA0A	56	10·11
M85066000A0	62	28	M85236000A0	62	10	M90115900A0	64	45·48
M85066000A0	66	28	M85236000A0	66	10	M90115900A0	68	45·48
M85076000A0	62	31	M85246000A0	64	60	M90135900A0	74	15
M85076000A0	66	31	M85246000A0	68	60	M90175800A0	58	40
M85086000A0	62	35	M85246000A0	74	2	M90175800A0	62	25·67
M85086000A0	66	35	M85256000A0	64	62	M90175800A0	66	8·25·67
M85096000A0	64	39	M85256000A0	68	62	M90195800A0	42	62
M85096000A0	68	39	M85256000A0	74	14	M90195800A0	62	24
M85116000A0	30	67	M85256000B0	74	11	M90195800A0	66	24
M85116000A0	64	42	M85266000A0	64	52	M90245800A0	58	49
M85116000A0	68	42	M85266000A0	68	52	M90245800A0	66	8·25·67
M85126000A0	42	60	M85276000A0	12	71	M90285800A0	58	48
M85126000A0	64	45·48	M85276000A0	64	63	M90285800A0	68	8·25·67
M85126000A0	68	45·48	M85276000A0	68	63	M90345800A0	58	50
M85136000A0A	38	47	M85286000A0	64	64	M90345800A0	62	8
M85136000A0A	64	50	M85286000A0	68	64	M90355800A0	58	41
M85136000A0A	68	50	M85306000A0	56	9	M90355800A0	64	25·67
M85146000A0	42	61	M85306000A0	64	66	M990160000A	58	66·67
M85146000A0	64	56	M85306000A0	68	66	M990160000B	58	66·67
M85146000A0	68	56	M85316000A0	58	51	MAO11108N00	44	8
M85156000A0	44	28	M85405800A0	56	12	MAO11532000	58	62
M85156000A0	64	54	M85405800A0	62	9	MAO25104A00	44	13·14
M85156000A0	68	54	M85405800A0	66	9	MAO720020A0	50	50
M85176000A0	52	2	M8599600AA0	58	42·43	MDFRX1600C0	70	13
M85176000A0	64	58	M8599600BA0	58	42·43	MDP5J0B1100	20	43
M85176000A0	68	58	M8601600AA0B	56	1	MDP5J0B1102	70	24
M85186000A0	4	72	M8601600AA0B	62	2	NM6030001SF	78	52
M85186000A0	62	30	M8601600AA0B	66	2	NM6030003SC	58	38
M85186000A0	66	30	M86036000A0	60	3	NM6040001SE	6	36
M85196000A0	56	22	M86036000A0	62	13	NM6040001SE	40	11
M85196000A0	62	6	M86036000A0	66	13	NM6050001SE	54	17

NUMERICAL INDEX OF PARTS

PART NO	PAGE	REF NO.	PART NO	PAGE	REF NO.	PART NO	PAGE	REF NO.
NM6060001SC	44	12	PS0300102K0	76	16	SK3482001SE	44	30
NM6060001SC	58	57	PT0301400S0	30	46	SK3482001SE	52	11
NM6080001SE	48	45	PV150209000	52	15	SK3483201SE	50	51
NM6080003SC	44	22	PV915005000	52	16	SK3512001SF	58	65
NM6080721SE	44	6	PX050003000	52	18	SL4030891SC	56	27
NM6080721SE	48	30	PX500017000	44	20	SL4031091SC	24	30
NM6080721SE	52	10	PX5000300A0	44	23	SL4031091SC	36	42
NM6120001SE	48	20	R0029180100	78	45	SL4031091SC	40	23
NM6160511SE	54	18	RC0150001KP	12	51	SL4040681SC	56	30
NS6080210SP	28	35	RC0370411KP	32	21	SL4040881SF	56	25
NS6080340SP	28	36	RC0560711KP	6	20	SL4041081SF	56	28
NS6090310SP	8	56	RC1021011KP	30	61	SL4041091SC	56	35
NS6090310SP	46	22	RC1200001KP	36	24	SL4051091SC	52	4
NS6110310SP	6	6	RE0500000K0	6	21	SL4051091SC	56	29
NS6110310SP	20	23	RE0500000K0	30	49	SL9061291SE	50	46
NS6110310SP	24	22	RO074240100	40	24	SL9082091SE	48	47
NS6110310SP	34	47	RO092270200	6	22	SL9082091SE	50	47
NS6110310SP	70	31	RO098240100	4	47	SL9082093SE	52	8
NS6110310SP	74	9	RO148240200	20	7	SM1033501SC	56	37
NS6110420SP	20	17	SB115000200	12	50	SM3065052TC	58	58
NS6110420SP	78	46	SB115000200	14	20	SM4021201SC	42	53
NS6120310SP	70	32	SB120001100	10	35	SM4031851SR	56	31
NS6150310SP	4	49	SD0400191TP	32	22	SM4051405SE	54	12
NS6150310SP	20	6	SD0450401SP	28	13	SM4860601SC	12	60
NS6150310SP	24	43	SD0450401SP	76	13	SM4860801SC	18	45
NS6150310SP	28	9	SD0601021SP	70	34	SM4860801SC	30	69
NS6150310SP	34	63	SD0640321SP	32	33	SM6030600SP	24	29
NS6150310SP	40	30	SD0641003SP	28	34	SM6040602TP	12	62
NS6160520SP	20	18	SD0720321TP	40	20	SM6041802TP	6	35
NS6200520SP	36	22	SD0720331SP	30	50	SM6052002TP	10	32
NS6660511SP	40	10	SD0790203SP	18	62	SM6061202TP	36	13
NS6680320SP	34	60	SD0790203SP	76	28	SM6061610SC	54	6
PA2006003A0	44	25	SD0790303SP	28	15	SM6081802TP	38	57
PA400100100	38	54	SD0790303SP	76	12	SM8060602TP	16	43
PC015108000	44	19	SD0790402TP	24	37	SM8060602TP	24	31
PD02010000D	30	53	SD0790431SP	40	27	SM8060812TP	10	34
PF0552040A0	52	3	SD0790641SP	34	56	SM8061002TP	28	45
PJ304045102	44	18	SD0791271SP	32	37	SM9050850SP	44	4
PJ304045108	36	27	SD0800341SP	40	28	SM9061203SE	48	31
PJ304060001	52	17	SD1100301TP	12	47	SM9082023SE	48	32
PJ304065201	52	6	SK3311600SC	48	5	SM9086503SM	44	21
PJ309005203	52	5	SK3311601SE	70	9	SQ1110402MZ	46	8
PS0200062KH	70	33	SK3412001SE	70	40	SS2090510SP	32	4
PS0300082KH	34	49	SK3413201SE	60	16	SS2090530SP	76	34
PS0300102K0	28	18	SK3452000SC	74	10	SS2110920TP	16	19

NUMERICAL INDEX OF PARTS

PART NO	PAGE	REF NO.	PART NO	PAGE	REF NO.	PART NO	PAGE	REF NO.
SS3090410SP	32	15	SS6121030SN	6	28	SS7120640SP	36	38
SS4090515SP	2	7	SS6121050SP	38	58	SS7150740SP	18	54
SS4090515SP	10	19	SS6151220SP	40	19	SS7150740SP	40	13
SS4090515SP	22	46	SS6151920TP	10	42	SS7151210SP	4	55
SS4091520SP	16	15	SS6621212TP	28	20	SS7151210SP	18	52
SS4110515SP	4	71	SS6700710SH	4	46	SS7151210SP	20	15
SS4110515SP	8	62	SS7080510TP	20	42	SS7620750SP	36	17
SS4110515SP	42	64	SS7090510SP	40	22	SS7681750TP	10	22
SS4110515SP	46	40	SS7090520SP	42	47	SS8090670SP	6	41
SS4110615SP	36	33	SS7090620TP	24	41	SS8110310SP	8	49
SS4110715SP	4	63	SS7090620TP	32	43	SS8111251SP	20	22
SS4110715SP	40	42	SS7090710SP	16	14	SS8111251SP	24	21
SS4110715SP	70	35	SS7090710SP	28	39	SS8150410TP	4	56
SS4110815SP	46	6	SS7090710SP	76	15	SS8150710TP	18	56
SS4110915SP	2	28	SS7090850SP	8	60	SS8150710TP	20	27
SS4111015SP	4	45	SS7090910SP	46	21	SS8150822TP	10	74
SS4111415SP	2	16	SS7090910TP	20	39	SS8150822TP	12	74
SS4120615SP	42	59	SS7090920SP	16	35	SS8150822TP	14	16
SS4120915SP	78	55	SS7091410SP	6	23	SS8150822TP	20	9
SS4150715SP	14	17	SS7110340SP	18	63	SS8150822TP	24	36
SS4150715SP	28	5	SS7110340SP	76	32	SS8150822TP	30	58
SS4150715SP	46	13	SS7110510SP	8	51	SS8150822TP	34	54
SS4150915SP	4	61	SS7110510SP	14	6	SS8150822TP	38	50
SS4150915SP	10	40	SS7110510SP	16	41	SS8150822TP	40	15
SS4150915SP	24	39	SS7110510SP	28	3	SS8150822TP	76	43
SS5110810SP	20	35	SS7110510SP	36	45	SS8150920SP	20	30
SS5110810SP	34	66	SS7110570SP	32	61	SS8660410SP	12	59
SS6060210SP	16	32	SS7110570SP	34	61	SS8660512TP	10	18
SS6060210SP	76	29	SS7110710SP	16	16	SS8660530TP	24	42
SS6080320SP	32	28	SS7110710SP	36	31	SS8660610TP	12	73
SS6080340SP	6	27	SS7110740TP	22	52	SS8660610TP	14	21
SS6080610TP	28	27	SS7110810SP	36	41	SS8660610TP	22	45
SS6090520SP	6	25	SS7110840SP	4	68	SS8660612TP	14	28
SS6110610TP	34	64	SS7110840SP	8	53	SS8660810TP	16	8
SS6110810TP	40	34	SS7110840SP	16	53	SS8661012TP	10	37
SS6111040SP	14	22	SS7110840SP	18	53	SS8681650TP	10	21
SS6111052TP	24	32	SS7110840SP	28	65	SS9110920CP	18	60
SS6111140SP	2	36	SS7110840SP	30	65	SS9120910TP	32	35
SS6111140SP	16	39	SS7110840SP	32	26	SS9151440CP	12	48
SS6111140SP	70	36	SS7110840SP	36	11	SS9151440CP	40	29
SS6111610SP	6	31	SS7110840SP	42	56	ST4031051SN	60	12
SS6111620SP	20	21	SS7110840SP	46	33	TA0750404R0	4	73
SS6120930SP	34	51	SS7110840SP	76	19	TA0750404R0	18	57
SS6120940SP	34	50	SS7110910SP	46	15	TA0750704R0	2	18
SS6121010SP	38	64	SS7111310SP	16	5	TA1050504R0	20	10

## NUMERICAL INDEX OF PARTS

PART NO	PAGE	REF NO.
TA1250504R0	40	40
TA1250705R0	2	10
TA1450302R0	22	47
TA1900502R0	2	20
TA2000502R0	18	58
WP0320500SF	78	51
WP0410846SC	32	20
WP0430800SD	6	32
WP0450000SD	40	12
WP0450801SD	70	37
WP0451016SP	32	6
WP0480856SP	4	74
WP0501016SC	60	17
WP0501016SD	36	16
WP0550800SP	38	65
WP0560860SE	36	43
WP0612056SD	4	50
WP0612056SE	58	59
WP0621016SD	12	49
WP0621016SD	30	70
WP0621026SP	10	43
WP0641601SC	2	38
WP0641601SC	44	26
WP0671016SE	48	33
WP0740516SP	34	59
WP0740516SP	70	38
WP0871602SE	48	48
WP0871602SE	50	48
WP0871602SE	52	9
WP1052000SD	14	30
WP1221016SP	42	63
WP1302501SE	48	17
WP1702600S0	54	19
WP1702600S0	70	45
WS0310702KS	56	32
WS0510002KN	54	16
WS0610002KN	44	10
WS0621210KR	48	35
WS0861410KR	48	36
WS0861410KR	52	12
WS1253010KN	48	18
WS1643202KR	72	46