

MODEL : FU-02S/FU-02L

List No : 1247-01

# PARTS LIST

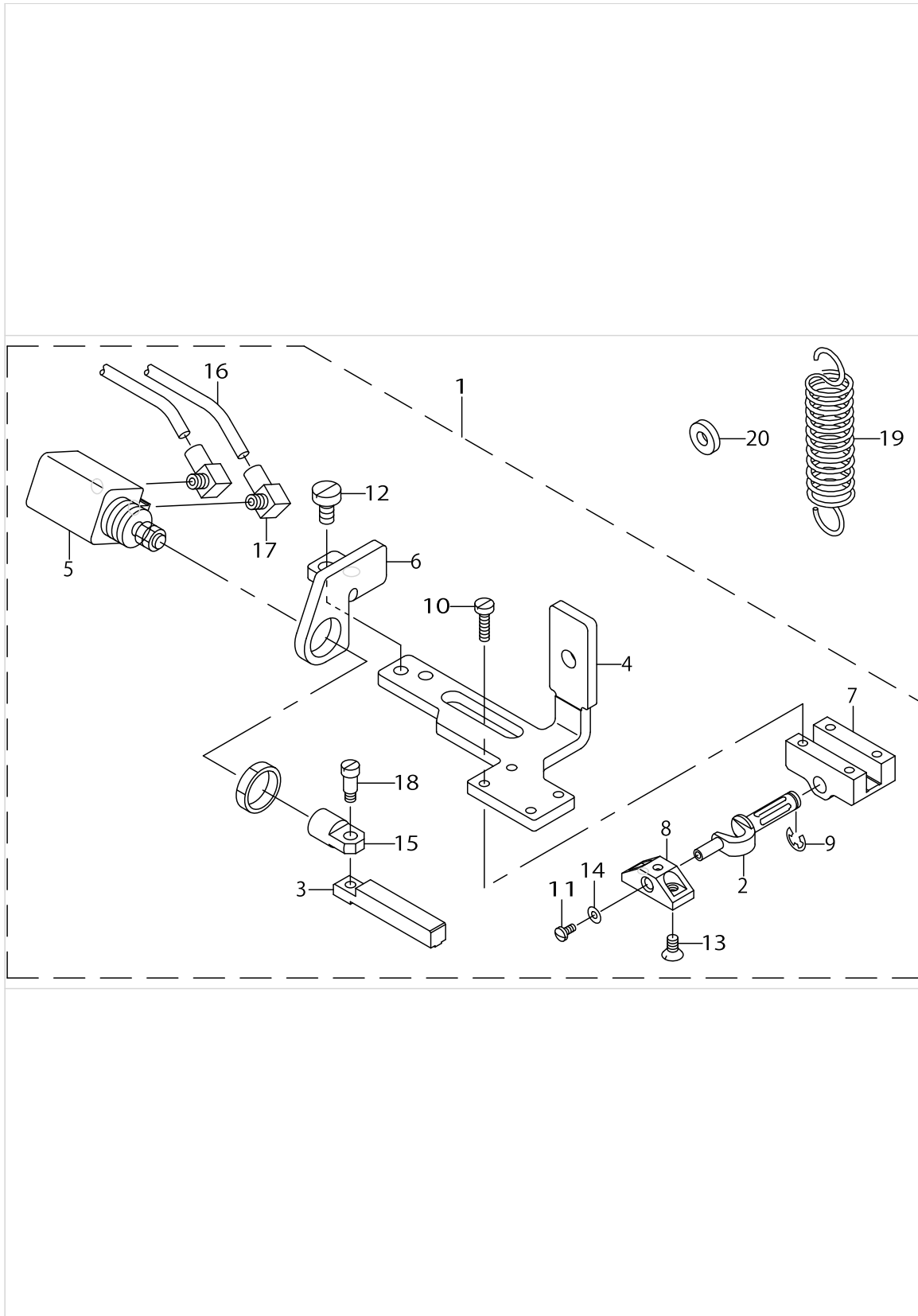
Published:05/12/2017

## CONTENTS

---

TURN AROUND MECHANISM CMPONENTS (1).....	1
TURN AROUND MECHANISM CMPONENTS (2).....	3
PNEUMATIC COMPONENTS (FOR FU-02S).....	5
PNEUMATIC COMPONENTS (FOR FU-02L).....	7
HOW TO MAKE USE OF THIS PARTS LIST .....	9

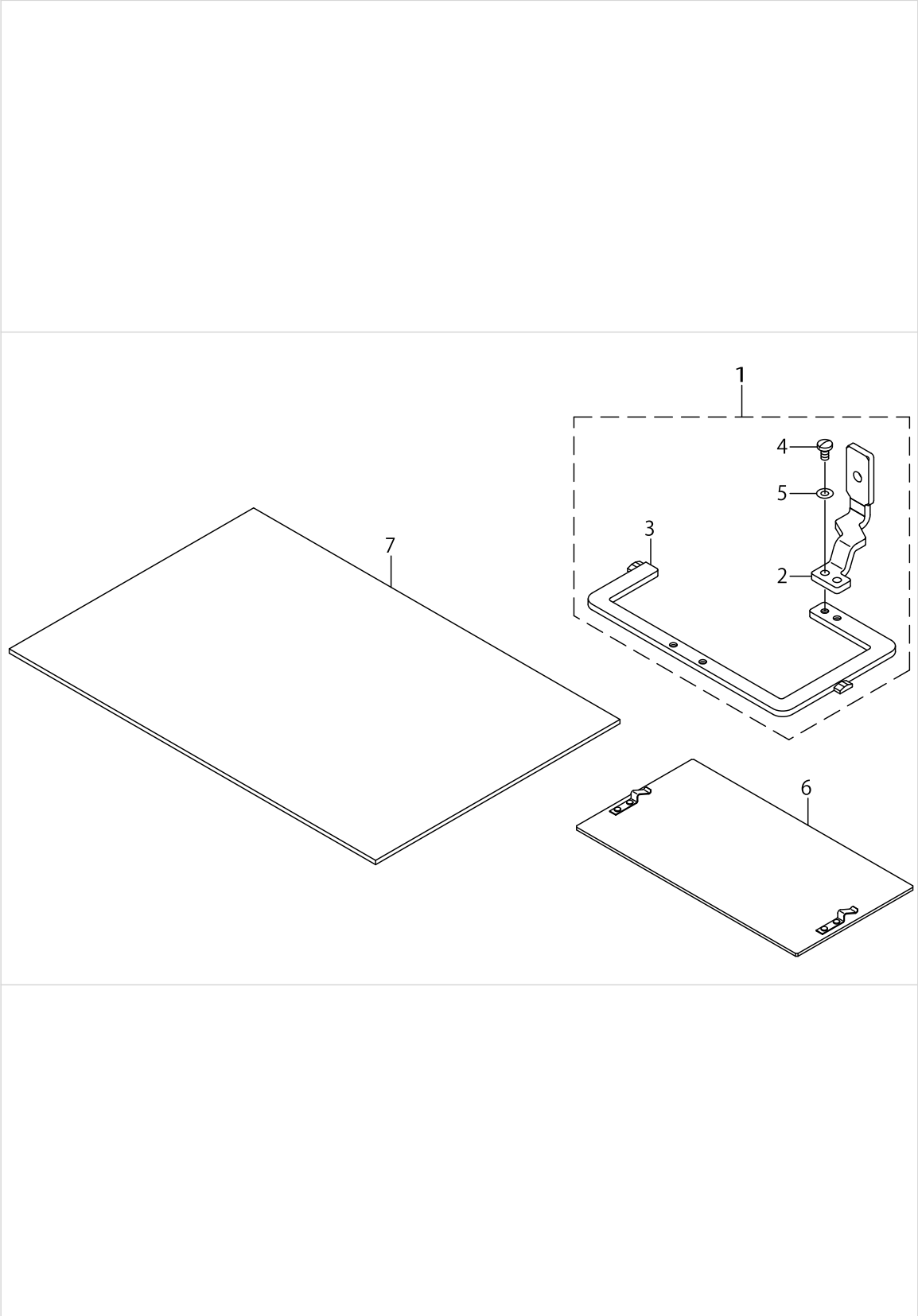
TURN AROUND MECHANISM CPMONENTS (1)



TURN AROUND MECHANISM CMPONENTS (1)

No.	Supply Code	Parts No.	Replacement	Parts name	Remarks	Choice	Step	Level	Cons	Qty	Rep. QTY
1		GFU020030A0		INNER PRESSER SLIDE PLATE ASM.						1	
2		GFU01001000		TURN AROUND CRANK SHAFT				*		1	
3		GFU01002000		INVERTING LAC				*		1	
4		GFU01003000		INNER PRESSER SLIDE PLATE				*		1	
5		PA1600801A0		AIR CYLINDER				*		1	
6		GFU01006000		TURN CYLINDER BRACKET				*		1	
7		B4303210000		TURN AROUND CRANK BEARING				*		1	
8		B4314210000		INTERMEDIATE PRESSER BASE				*		1	
9		RE0400000K0		E-RING 4				*		1	
10		SS6081210SP		SCREW 1/8-44 L=12				*		4	
11		SS7060610SP		SCREW 3/32-56 L=5.5				*		1	
12		SS6120940SP		SCREW 3/16-28 L=9				*		2	
13		SS1090750SP		SCREW 9/64-40 L=7				*		2	
14		WP0250516SD		WASHER 2.5X6X0.5				*		1	
15		B4306220000		KNUCKLE				*		1	
16		BT0400251EB		URETHANE HOSE, BLACK				*		1.3	
17		PJ046052503		HOSE ELBOW				*		2	
18		SD0460703TP		HINGE SCREW D=4.6 H=7				*		1	
19		B2583212000		SPRING	FOR FU-02S					1	
20		WP0502616SD		WASHER						1	

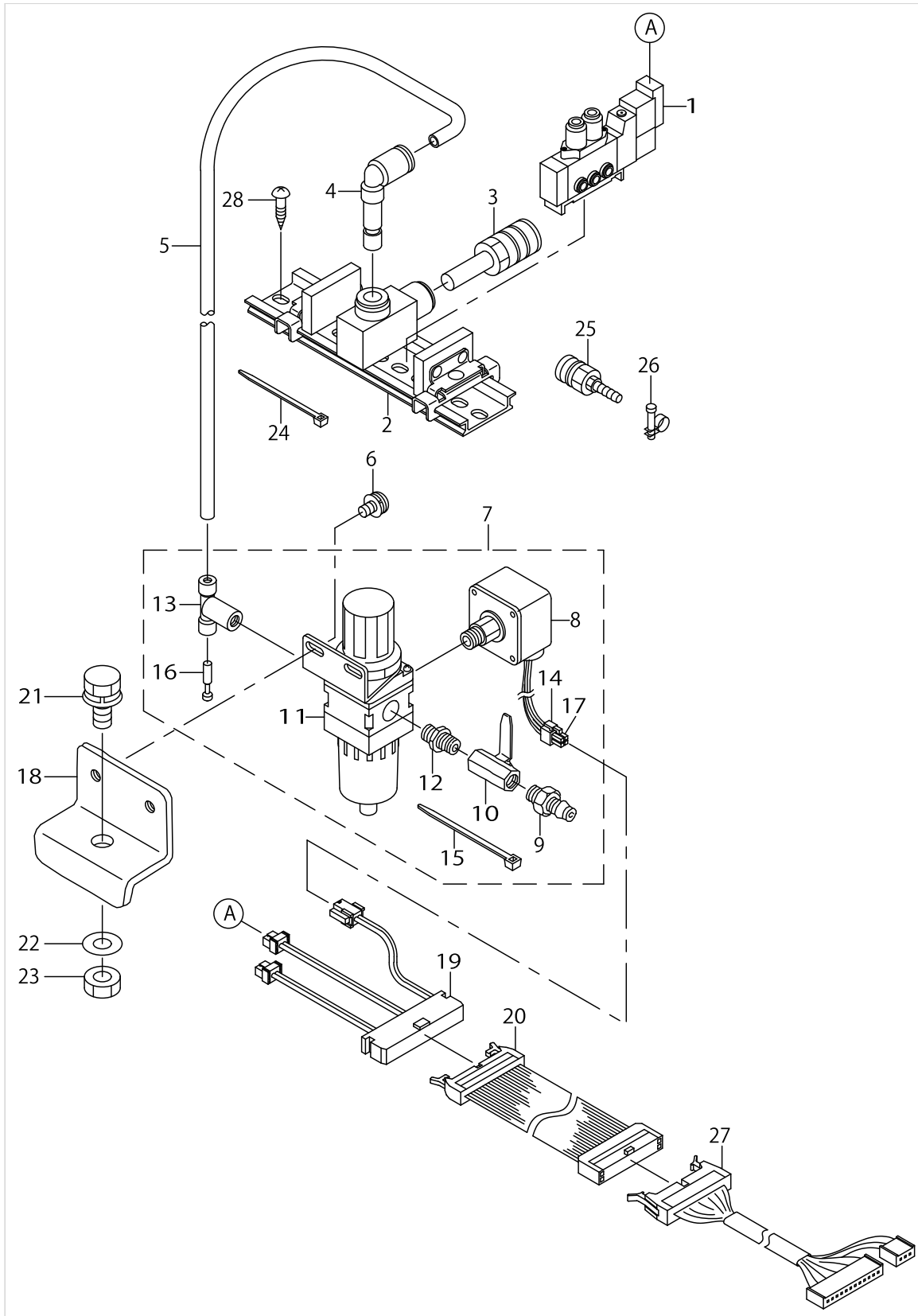
TURN AROUND MECHANISM COMPONENTS (2)



TURN AROUND MECHANISM CMONENTS (2)

No.	Supply Code	Parts No.	Replacement	Parts name	Remarks	Choice	Step	Level	Cons	Qty	Rep. QTY
1		GFU020010A0		OUTER PRESSER S-LIDE PLATE ASM.						1	
2	D	GFU02001000		OUTER PRESSER SLIDE PLATE				*		1	
3		GFU02002000		FEEDING FRAME				*		1	
4		SS7110840SP		SCREW 11/64-40 L=7.8				*		2	
5		WP0480856SP		WASHER 4.8X8.4X0.8				*		2	
6		B2557210DA0		PLASTIC BLANK PLATE ASM.						2	
7		B2564215000		SPONGE						1	

PNEUMATIC COMPONENTS (FOR FU-02S)

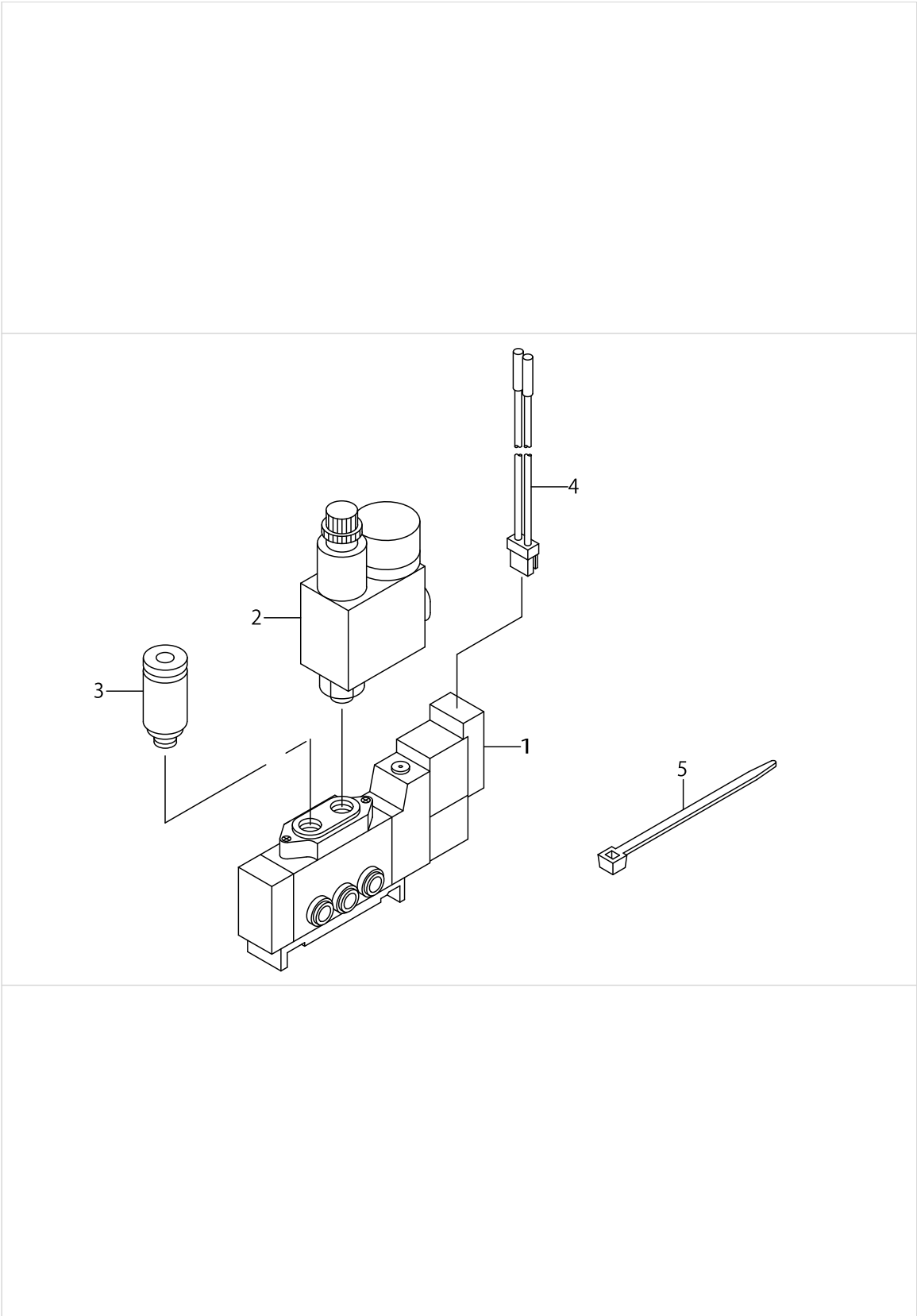


PNEUMATIC COMPONENTS (FOR FU-02S)

No.	Supply Code	Parts No.	Replacement	Parts name	Remarks	Choice	Step	Level	Cons	Qty	Rep. QTY
1		PV150209000		5 PORT SOLENOID VALVE						1	
2		PV915005000		SOLENOID VALVE I- NSTALLING BASE						1	
3		PX050003000		SILENCER						1	
4		PJ304060001		ELBOW						1	
5		BT0600401EB		TUBE						1.3	
6		SL4051091SC		SCREW M5X0.8 L=10						2	
7		B47152150A0		FILTER REGULATOR ASM.						1	
8	R	G8124270000	G85048750A0	AIRPRESSUESWITCH		A	AVP-875	*		1	1.00
8	R	G8124270000	40030951	AIRPRESSUESWITCH		B	AMS-210E- N,AMS-221EN	*		1	1.00
8	R	G8124270000	B47152150A0	AIRPRESSUESWITCH		C	MEB-3200,- LK-1910/2- 0/30/41,AMS-224E	*		1	1.00
9		PJ309005203		QUICK JOINT PLUG				*		1	
10	R	G5430116000	40030951	AIR COCK				*		1	1.00
11		PF0552040B0		FILTER REGULATOR				*		1	
12		PJ030520001		RING JOINT (NIPPLE)				*		1	
13		PJ305065202		TEE				*		1	
14		HK034610040		HOUSING				*		1	
15		EA9500B0100		CABLE BAND				*		5	
16		PX950009000		PLUG				*		1	
17		HK034640000		PIN CONTACT				*		3	
18	R	B8211206000	40023662	FILTER INSTALLING PLATE						1	1.00
19		14204853		SOLENOID VALVE CABLE ASM.						1	
20		M90145800A0		RELAY CABLE ASM.						1	
21		SL9082093SE		SCREW						1	
22		WP0871602SE		WASHER 8.7X18X1.6						1	
23		NM6080721SE		NUT M8						1	
24		EA9500B0100		CABLE BAND						3	
25		PJ309520001		SOCKET						1	
26		PB000010000		HOSE BAND						1	
27		GFU020040A0		SOLENOID VALVE CONVERT CABLE						1	
28		SK3412001SE		WOOD SCREW D=4.1 L=20						2	



PNEUMATIC COMPONENTS (FOR FU-02L)



PNEUMATIC COMPONENTS (FOR FU-02L)

No.	Supply Code	Parts No.	Replacement	Parts name	Remarks	Choice	Step	Level	Cons	Qty	Rep. QTY
1		PV150209100		SOLENOID VALVE						1	
2		PF0205030A0		REGULATOR						1	
3		PJ301040505		HALF UNION						1	
4		14204754		SOLENOID VALVE CONNECTOR ASM.						1	
5		EA9500B0100		CABLE BAND						3	

## HOW TO MAKE USE OF THIS PARTS LIST

1.As to "#01" and "#02" refer to the "Note" given at the bottom of the respective pages.

2.Codes on the "Qty" column

- Each numeral indicates the number of parts required.
- "0.1" and "2.5" indicate the length (in meters) of the respective parts.

3.Parentheses mean that the corresponding part is a subpart that constructs an assembly part.

4.Dotted lines on the Figures indicate assembly parts.

1. リストページの# 0 1、# 0 2の印は、ページ下の"注記"の説明を参照下さい。
2. 数量欄の数字は、個数を表し、0. 1、2. 5等の数値は、長さ（単位メートル）を表します。
3. 数量欄の（ ）は、組部品を構成している子部品であることを意味します。
4. イラストページの-----枠は、組構成であることを意味します。

NUMERICAL INDEX OF PARTS

PART NO	PAGE	REF NO.	PART NO	PAGE	REF NO.
14204754	8	4	RE040000K0	2	9
14204853	6	19	SD0460703TP	2	18
B2557210DA0	4	6	SK3412001SE	6	28
B2564215000	4	7	SL4051091SC	6	6
B2583212000	2	19	SL9082093SE	6	21
B4303210000	2	7	SS1090750SP	2	13
B4306220000	2	15	SS6081210SP	2	10
B4314210000	2	8	SS6120940SP	2	12
B47152150A0	6	7	SS7060610SP	2	11
B8211206000	6	18	SS7110840SP	4	4
BT0400251EB	2	16	WP0250516SD	2	14
BT0600401EB	6	5	WP0480856SP	4	5
EA9500B0100	6	24	WP0502616SD	2	20
EA9500B0100	8	5	WP0871602SE	6	22
G5430116000	6	10			
G8124270000	6	8			
GFU01001000	2	2			
GFU01002000	2	3			
GFU01003000	2	4			
GFU01006000	2	6			
GFU02001000	4	2			
GFU020010A0	4	1			
GFU02002000	4	3			
GFU020030A0	2	1			
GFU020040A0	6	27			
HK034610040	6	14			
HK034640000	6	17			
M90145800A0	6	20			
NM6080721SE	6	23			
PA1600801A0	2	5			
PB000010000	6	26			
PF0205030A0	8	2			
PF0552040B0	6	11			
PJ030520001	6	12			
PJ046052503	2	17			
PJ301040505	8	3			
PJ304060001	6	4			
PJ305065202	6	13			
PJ309005203	6	9			
PJ309520001	6	25			
PV150209000	6	1			
PV150209100	8	1			
PV915005000	6	2			
PX050003000	6	3			
PX950009000	6	16			