

MODEL : LU-2210W-7/2260W-7

List No : 1225-00

# PARTS LIST

Published:05/12/2017

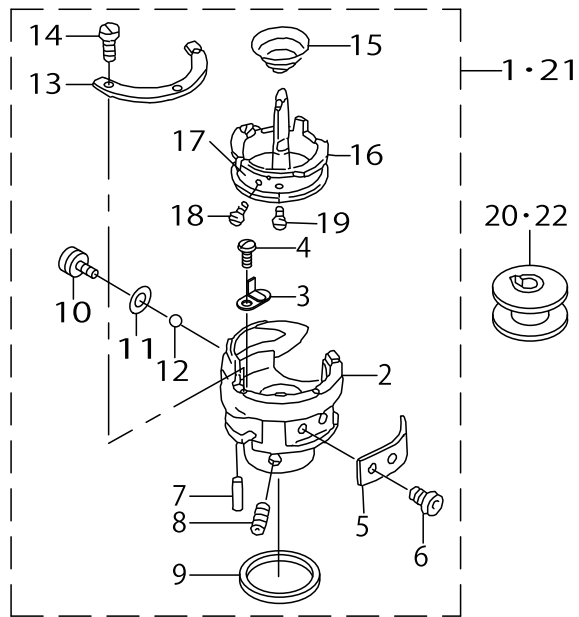
## CONTENTS

---

LU-2210W-7, LU-2260W-7 (1).....	1
LU-2210W-7, LU-2260W-7 (2).....	3
HOW TO MAKE USE OF THIS PARTS LIST .....	5

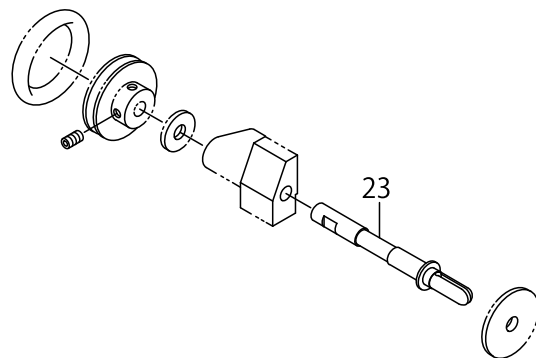
1.HOOK COMPONENTS

釜関係



2.LOWER THREAD WINDER MECHANISM

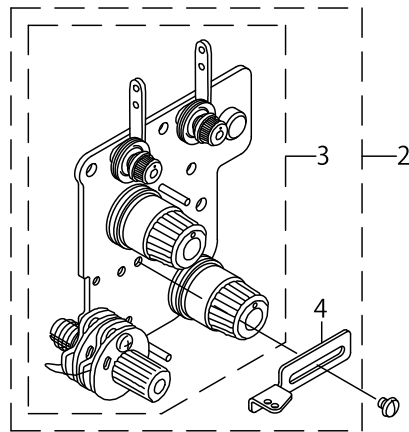
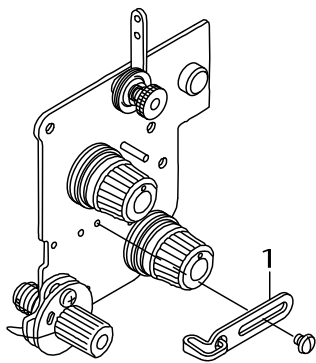
COMPONENTS  
下糸巻き装置関係



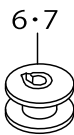
LU-2210W-7, LU-2260W-7 (1)

No.	Supply Code	Parts No.	Replacement	Parts name	Remarks	Choice	Step	Level	Cons	Qty	Rep. QTY
1		10756757		HOOK ASM.(DOUBLE-SIZE)	FOR LU-2210W-7					1	
2		10756708		OUTER HOOK				*		1	
3		10752202		OIL CAP				*		1	
4		10752301		OIL CAP SETSCREW				*		1	
5		10757003		NEEDLE HOLDER				*		1	
6		10723203		NEEDLE HOLDER SETSCREW				*		2	
7		10728509		FILTER				*		1	
8		SM8050602TP		SCREW M5 L=6				*		2	
9		10728608		RUBBER RING				*		1	
10		10722601		ADJUSTING SCREW				*		1	
11		10728707		RUBBER RING				*		1	
12		10728400		URETHAN BALL				*		1	
13		10756906		INNER HOOK PRESSER				*		1	
14		10723104		PRESSER SETSCREW				*		3	
15		10723500		IDLING PREVENTION SPRING				*		1	
16		10756807		INNER HOOK				*		1	
17		10722908		TENSION SPRING				*		1	
18		10723302		ADJUSTING SCREW				*		1	
19		10723401		TENSION SPRING SETSCREW				*		1	
20		10231603		BOBBIN	FOR LU-2210W-7					1	
21		10756757		HOOK ASM.(DOUBLE-SIZE)	FOR LU-2260W-7					2	
22		10231603		BOBBIN	FOR LU-2260W-7					2	
23		10756500		SPOOL SHAFT						1	

3.THREAD TENSION COMPONENTS  
糸調子関係



4.ACCESSORIES PART COMPONENTS  
付属品関係



LU-2210W-7, LU-2260W-7 (2)

No.	Supply Code	Parts No.	Replacement	Parts name	Remarks	Choice	Step	Level	Cons	Qty	Rep. QTY
1		10756609		THREAD GUIDE	FOR LU-2210W-7					1	
2		10795151		THREAD TENSION ASM.	FOR LU-2260W-7					1	
3	R	10773554	10773364	THREAD TENSION PLATE ASM.				*		1	1.00
4		10795102		BALANCE THREAD GUIDE				*		1	
5		10757409		COUNTER KNIFE GAUGE						1	
6		10231603		BOBBIN	FOR LU-2210W-7					1	
7		10231603		BOBBIN	FOR LU-2260W-7					2	

## HOW TO MAKE USE OF THIS PARTS LIST

1.As to "#01" and "#02" refer to the "Note" given at the bottom of the respective pages.

2.Codes on the "Qty" column

- Each numeral indicates the number of parts required.
- "0.1" and "2.5" indicate the length (in meters) of the respective parts.

3.Parentheses mean that the corresponding part is a subpart that constructs an assembly part.

4.Dotted lines on the Figures indicate assembly parts.

1. リストページの# 0 1、# 0 2の印は、ページ下の"注記"の説明を参照下さい。
2. 数量欄の数字は、個数を表し、0. 1、2. 5等の数値は、長さ（単位メートル）を表します。
3. 数量欄の（ ）は、組部品を構成している子部品であることを意味します。
4. イラストページの-----枠は、組構成であることを意味します。

This Parts List mentions the different matters from LU-2210N-7/LU-2260N-7 only.  
Please refer to Parts List of LU-2210N-7/LU-2260N-7 for the matters not mentioned on this Parts List.

本パーツリストは、LU-2210N-7・LU-2260N-7と異なる部分のみ記載しています。  
本パーツリストに記載なきものは、LU-2210N-7・LU-2260N-7のパーツリストをご覧ください。

## NUMERICAL INDEX OF PARTS

PART NO	PAGE	REF NO.
10231603	2	20·22
10231603	4	6·7
10722601	2	10
10722908	2	17
10723104	2	14
10723203	2	6
10723302	2	18
10723401	2	19
10723500	2	15
10728400	2	12
10728509	2	7
10728608	2	9
10728707	2	11
10752202	2	3
10752301	2	4
10756500	2	23
10756609	4	1
10756708	2	2
10756757	2	1·21
10756807	2	16
10756906	2	13
10757003	2	5
10757409	4	5
10773554	4	3
10795102	4	4
10795151	4	2
SM8050602TP	2	8