

MODEL : AMB-187N

List No : 1218-00

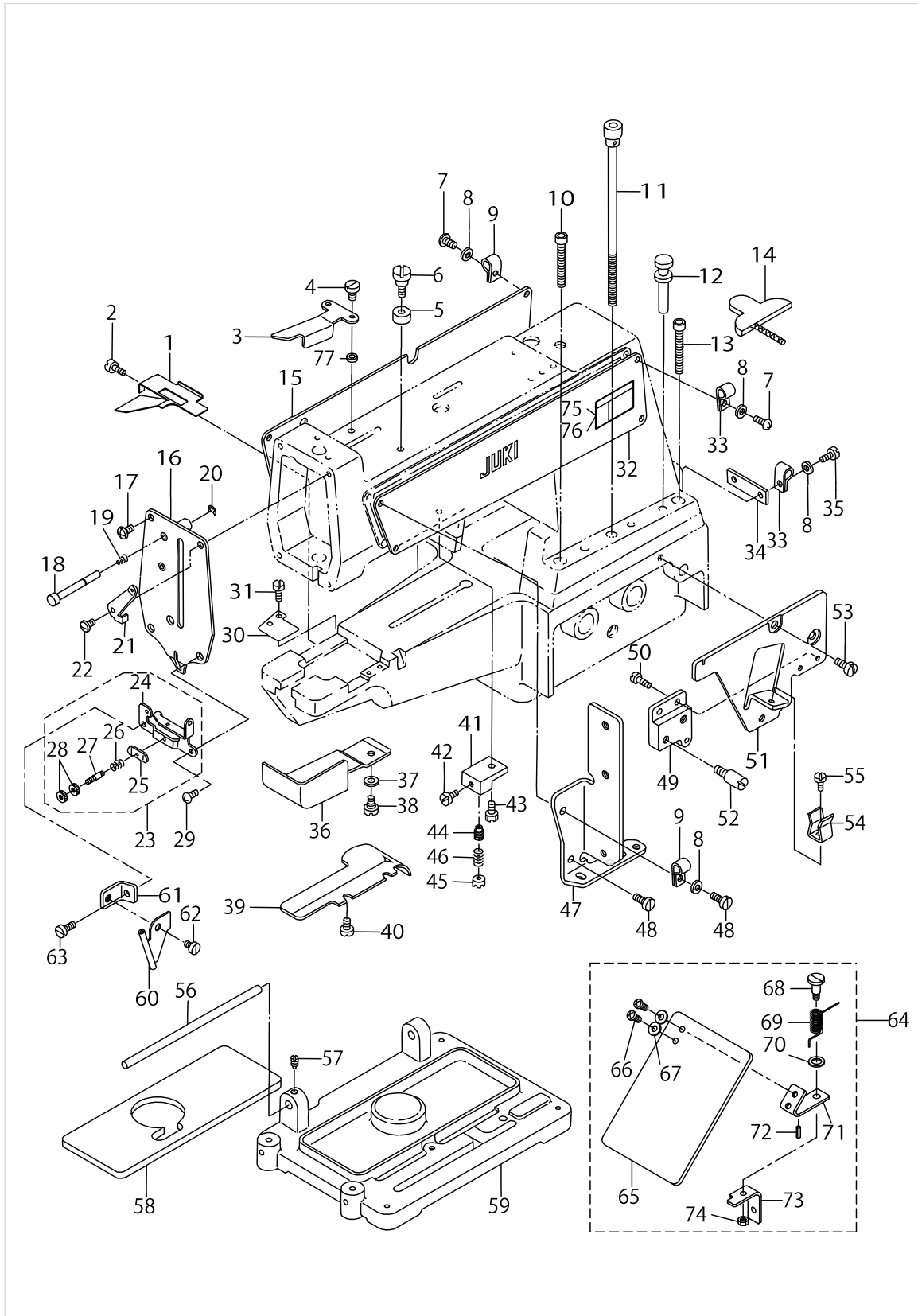
PARTS LIST

Published:05/12/2017

CONTENTS

ARM BED COMPONENTS	1
LOOPER SHAFT MECHANISM COMPONENTS	5
NIPPER & THREAD TENSION PARTS COMPONENTS	9
NEEDLE DRIVING PULLEY SHAFT COMPONENTS	15
NEEDLE BAR DRIVING MECHANISM COMPONENTS	17
X-Y STEPPING MOTOR COMPONENTS (X SHAFT)	19
X-Y STEPPING MOTOR COMPONENTS (Y SHAFT)	23
X-Y FRAME COMPONENTS	27
CHUCK COMPONENTS.....	31
CHUCK TURN OVER COMPONENTS	35
TANG COMPONENTS.....	39
WIPER & PRESSER COMPONENTS	41
STAND & TABLE COMPONENTS.....	43
2-JOINT PEDAL COMPONENTS.....	49
MISCELLANEOUS COVER & CORD COMPONENTS.....	51
PNEUMATIC COMPONENTS	55
THREAD STAND COMPONENTS.....	59
MOTOR PULLEY COMPONENTS	61
CONTROL BOX COMPONENTS	63
OPTION COMPONENTS	69
BUTTON LODER COMPONENTS (1).....	71
BUTTON LODER COMPONENTS (2).....	75
HOW TO MAKE USE OF THIS PARTS LIST	79

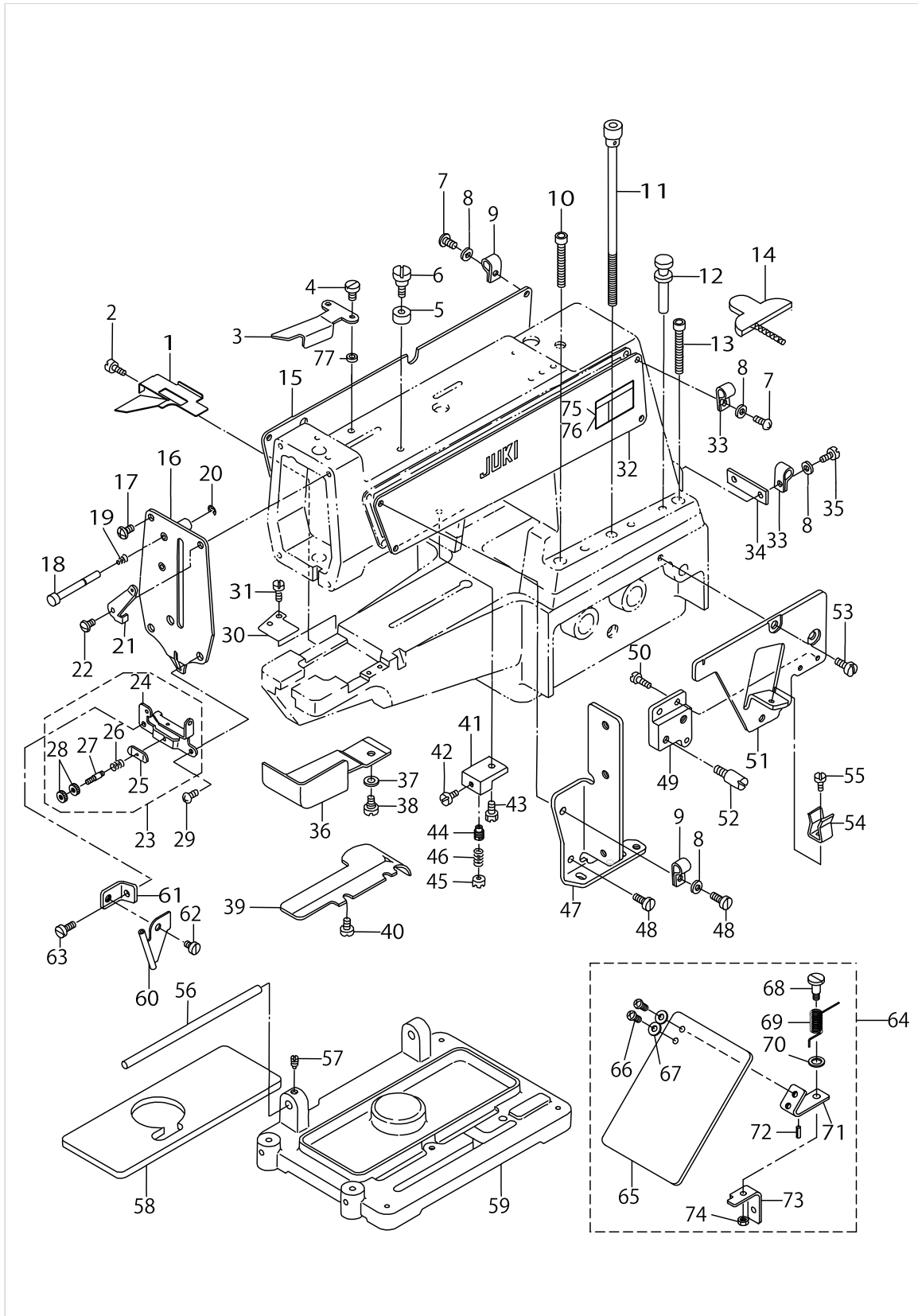
ARM BED COMPONENTS



ARM BED COMPONENTS

No.	Supply Code	Parts No.	Replacement	Parts name	Remarks	Choice	Step	Level	Cons	Qty	Rep. QTY
1		25003500		BUTTON COVER						1	
2		SS6110480SP		SCREW 11/64-40 L=4.3						1	
3	D	17801309		COVER A						1	
4	R	SS6090620SP	SS6090620TP	SCREW 9/64-40 L=6						2	1.00
5	D	17801804		STOPPER						1	
6		SD0791271SP		HINGE SCREW D= 7.94 H=12.7						1	
7		SS4120915SP		SCREW 3/16-28 L=9						6	
8		WP0531000SC		WASHER 5.3X10X1						5	
9		HX00150000D		CABLE CLIP						2	
10		SM6086002TP		SCREW						2	
11		25000456		SET SCREW ASM.						1	
12		25000308		GUID PIN						2	
13		SM6085002TP		SCREW						2	
14	D	17803057		OILDRIPFELT,SMALL						1	
15		17811068		SIDE COVER (LEFT) ASM.						1	
16		17962358		FACE PLATE ASM.						1	
17		SS4120915SP		SCREW 3/16-28 L=9						1	
18	R	B3127372000	26032003	NIPPER RELEASING STUD						1	1.00
19	R	B3149123A00	26021600	TENSION SPRING						1	1.00
20		RE0320000K0		E-RING 3.2						1	
21	D	17802307		THREAD GUIDE						1	
22		SS5120810SP		SCREW						1	
23	D	25002957		THREAD TENSION NO.3 ASM.						1	
24	D	17802216		TENSION ADJUSTING BASE NO.3				*		1	
25		B1131521000		THREAD PRESSER PLATE				*		1	
26		B1136850000		TENSION SPRING B				*		1	
27		25002809		THREAD TENSION STUD				*		1	
28		25002908		THREAD TENSION NUT				*		2	
29		SS6111210SP		SCREW11/64-40L=12						1	
30	D	17962408		RECEIVING PLATE						1	
31		SS6090610SP		SCREW9/64-40L=5.5						2	
32		17810912		SIDE COVER, RIGHT						1	
33		HX00150000F		CABLE CLIP						3	
34	D	17801408		COVER B						1	
35		SS6120940SP		SCREW 3/16-28 L=9						2	
36		17961905		LOOPER COVER						1	
37		WS0650389KP		SPRING WASHER 6.5X14.0X17						1	
38		SD0600271SP		HINGE SCREW D= 6 H= 2.7						1	
39	R	B1119373000	26010603	BED OIL SHIELD						1	1.00
40		SS7110840SP		SCREW 11/64-40 L=7.8						2	
41		17812207		SLIDER TRAY						1	
42		SS6110670TP		SCREW 11/64-40 L=6.5						1	
43		SS9161610SP		SCREW 1/4-24 L=16						1	
44	D	25003203		SLIDER RECEIVER						1	
45		B2574220000		SLIDER						1	
46		B2576220000		SLIDER SPRING						1	

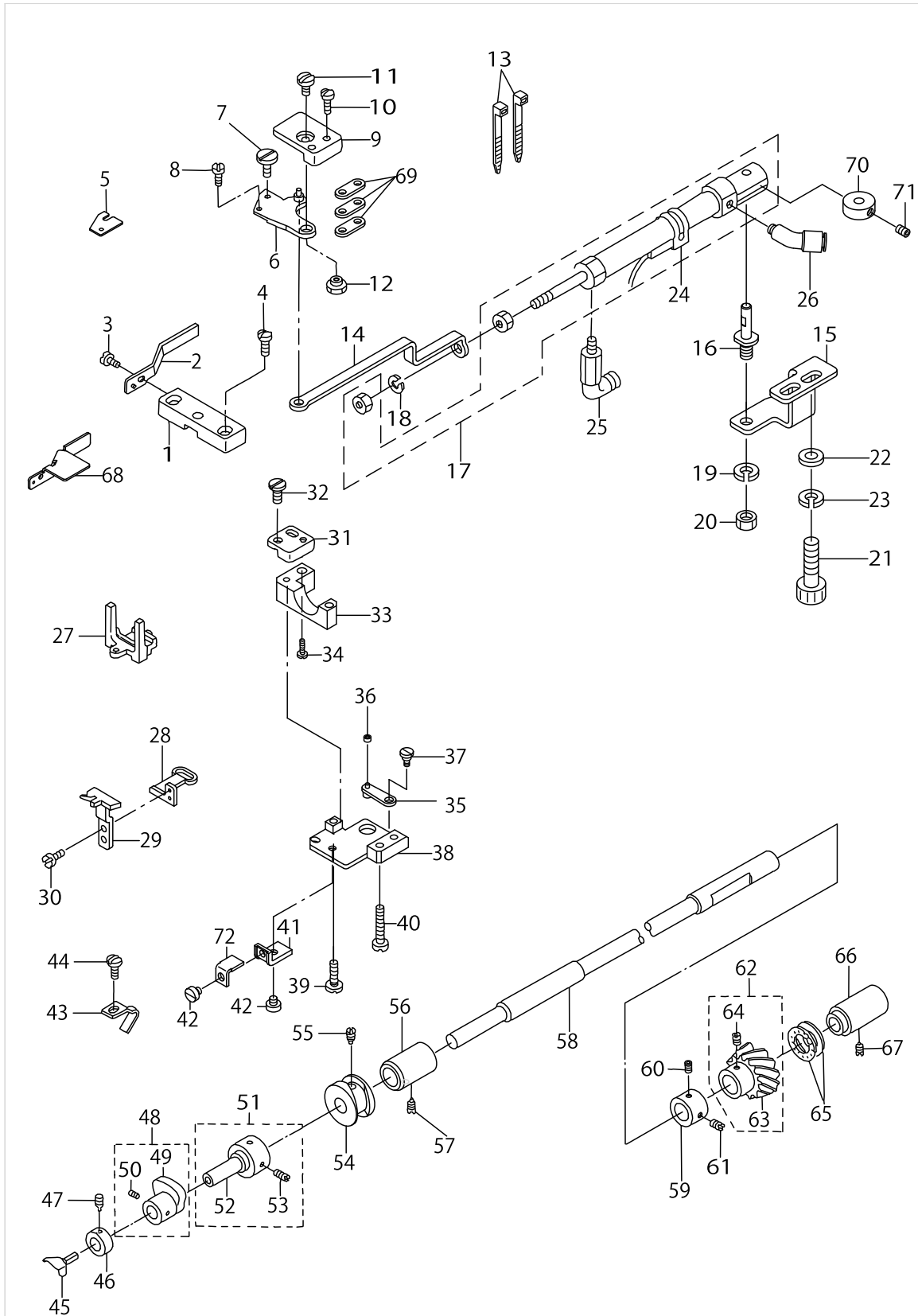
ARM BED COMPONENTS



ARM BED COMPONENTS

No.	Supply Code	Parts No.	Replacement	Parts name	Remarks	Choice	Step	Level	Cons	Qty	Rep. QTY
47		17966714		MERKER INSTALLING PLATE						1	
48		SS6121210SP		SCREW 3/16-28 L=12						2	
49		17962200		COVER INSTALLING PLATE, B						1	
50		SS6090520SP		SCREW 9/64-40 L=5.0						2	
51		17962101		COVER INSTALLING PLATE, A						1	
52	D	B1120372000		SCREW STUD						1	
53		SS7151340TP		SCREW 15/64-28 L=12.5						2	
54	D	B1111372000		SIDE COVER SPRING						1	
55		SS6090520SP		SCREW 9/64-40 L=5.0						1	
56	R	B1110372000	26011304	SIDE COVER HINGE SHAFT						1	1.00
57	R	SS8151150SP	SS8151150TP	SCREW 15/64-28 L=10.5						1	1.00
58		B1104372A00		OILDRIPFELT(A)5MM						1	
59	D	17812405		BED INSTALLING BASE						1	
60		25003906		AIR NOZZLE						1	
61		25003807		AIR NOZZLE BASE						1	
62		SS6110480SP		SCREW 11/64-40 L=4.3						1	
63		SS6121210SP		SCREW 3/16-28 L=12						1	
64	D	25003757		SAFETY PLATE ASM.						1	
65		17811803		SAFETY PLATE				*		1	
66		SS4110715SP		SCREW 11/64-40 L=7				*		2	
67		WP0450801SD		WASHER 4.5X10X0.8				*		2	
68		SD0601021SP		HINGE SCREW D=6 H=10.2				*		1	
69		13943204		SAFETY PLATE RETURN SPRING				*		1	
70		WP0740516SP		WASHER 7.4X11.8X0.5				*		1	
71	D	17811902		INSTALLING PLATE				*		1	
72		PS0200062KH		SPRING PIN 2X6				*		1	
73	R	B3115372000	26037101	SAFETY PLATE INSTALLING BASE				*		1	1.00
74		NS6110310SP		NUT 11/64-40				*		1	
75		CM300200101		SAFETY LABEL, 1(SMALL).	FOR DOME- STIC USE					1	
76		CM3002001A1		SAFETY LABEL.,3 (SMALL).	FOR EXPORT					1	
77		17802505		COLLAR A						1	

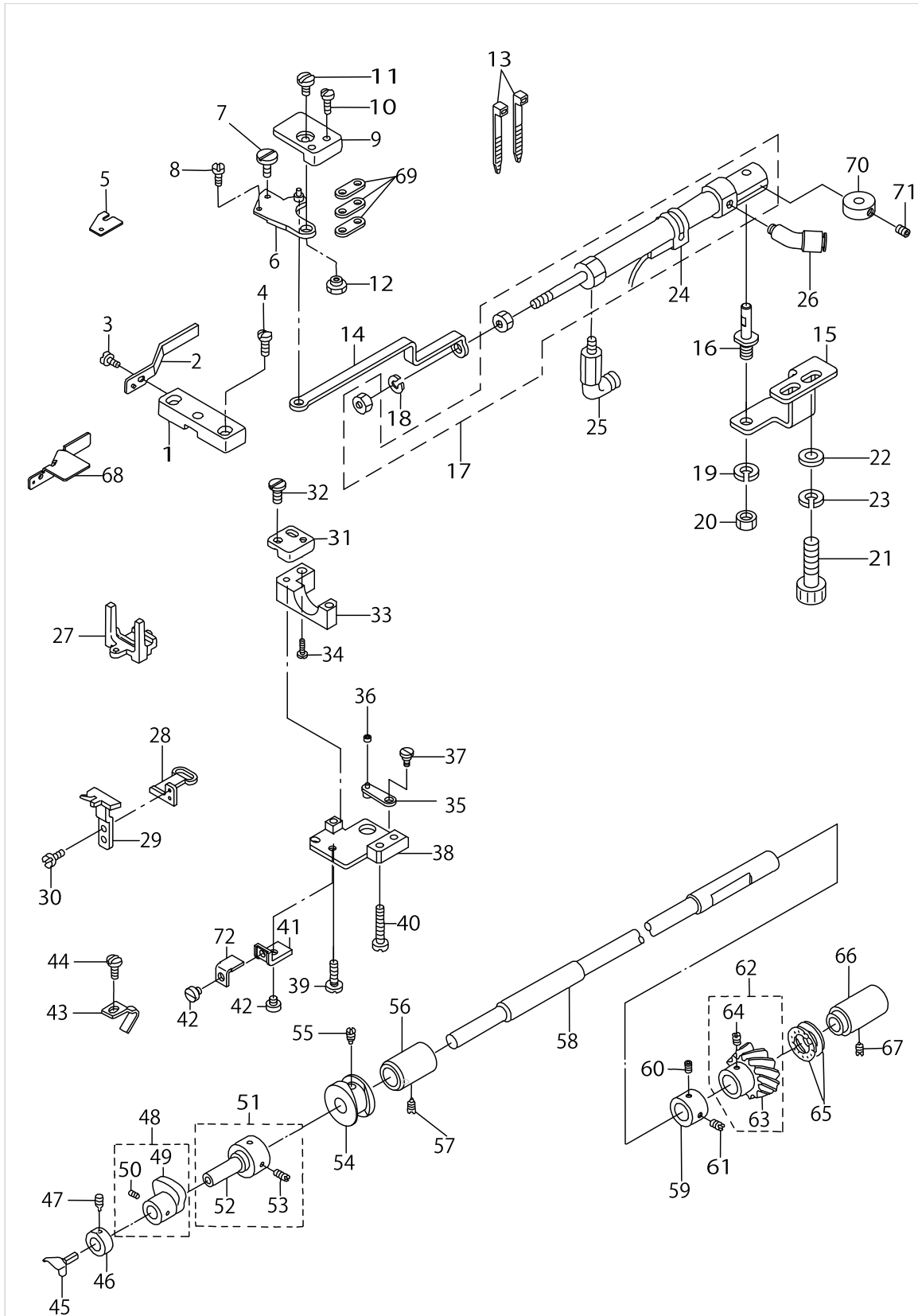
LOOPER SHAFT MECHANISM COMPONENTS



LOOPER SHAFT MECHANISM COMPONENTS

No.	Supply Code	Parts No.	Replacement	Parts name	Remarks	Choice	Step	Level	Cons	Qty	Rep. QTY
1	R	25003609	25003658	THROAT PLATE						1	1.00
2		17961400		KNIFE COVER						1	
3		SS6090540SP		SCREW 9/64-40 L=5.0						1	
4	R	SS7111410SP	SS7111410TP	SCREW 11/64-40 L=14						2	1.00
5		17962507		MOVING KNIFE						1	
6		25003062		MOVING KNIFE HOLDER PLATE ASM.						1	
7	R	SS7080310TP	SS7080310SP	SCREW 1/8-44 L=3.2						1	1.00
8		SS6050180SL		SCREW 5/64-64 L=1.2						1	
9	D	17962903		MOVING KNIFE INSTALLING PLATE						1	
10		SS7111810TP		SCREW 11/64-40 L=18						2	
11		SS7110830SP		SCREW 11/64-40 L= 7.5						1	
12	D	17962804		NUT						1	
13		EA9500B0200		CABLE BAND 150						2	
14	D	17963018		THREAD CUTTER CONNECTING PLATE						1	
15	D	17807900		CYLINDER INSTALLING PLATE B						1	
16		17805607		CYLINDER SHAFT						1	
17		PA1504001A0		CYLINDER						1	
18		WS0510002KN		SPRING WASHER						1	
19		WS0610002KN		SPRING WASHER 6.1X12.2X1.5						1	
20		NM6060001SC		NUT M6						1	
21		SM6061602TN		SCREW M6 L=16						2	
22		WP0641600SC		WASHEW6.4X12.5X1.6						2	
23		WS0610002KN		SPRING WASHER 6.1X12.2X1.5						2	
24		PX500043000		BAND						1	
25		PJ304040507		LONG ELBOW UNION						1	
26		PJ309040501		ELBOW UNION						1	
27	D	25001108		YORK SLIDE SUPPORT						1	
28	D	25001009		INSTALLING PLATE						1	
29		25000704		YORK SLIDE						1	
30		SS6090670TP		SCREW 9/64-40 L=6						2	
31		25000605		SUPPORT BASE PLATE						1	
32		SS4110910TP		SCREW 11/64-40 L=9						2	
33	D	25000902		SUPPORT BASE						1	
34	R	SS7111810SP	SS7111810TP	SCREW 11/64-40 L=18						1	1.00
35	R	25001355	26006353	FRONT-AND-REAR ASM.						1	1.00
36	R	B1232372000	26003905	LOOP POSITIONING FINGER LEVER						1	1.00
37		SD0640241SP		HINGE SCREW D= 6.35 H= 2.4						1	
38		25000803		RECIVING PLATE						1	
39		SS7111410TP		SCREW 11/64-40 L=14						1	
40		SS7112420SP		SCREW 11/64-40 L=24						1	
41		25002502		YORK SLIDE GUIDE A						1	
42		SS6110480SP		SCREW 11/64-40 L=4.3						2	
43	D	17961202		THROAT GUIDE						1	
44		SS7110840SP		SCREW 11/64-40 L=7.8						1	
45		B1239372000		LOOPER						1	

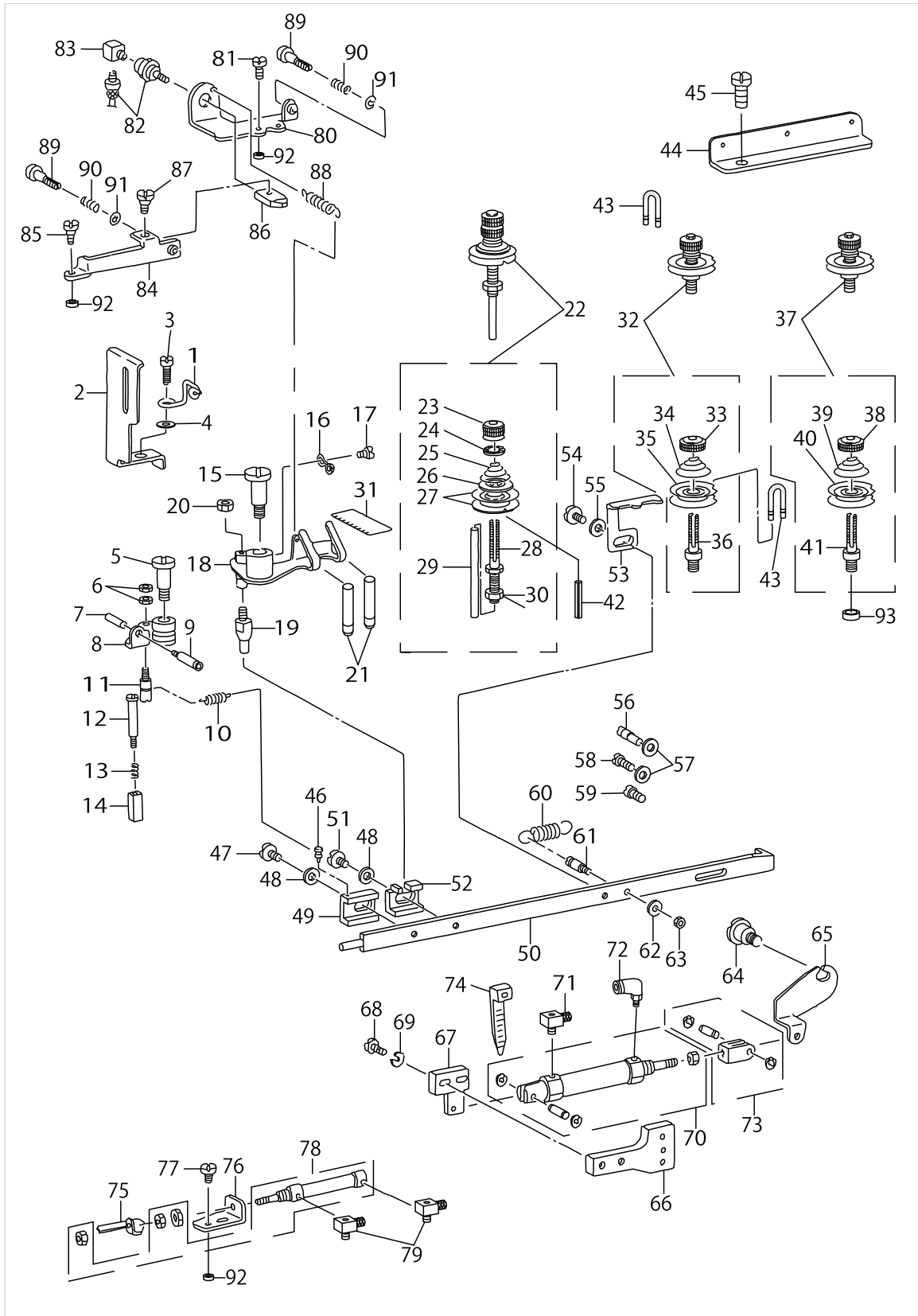
LOOPER SHAFT MECHANISM COMPONENTS



LOOPER SHAFT MECHANISM COMPONENTS

No.	Supply Code	Parts No.	Replacement	Parts name	Remarks	Choice	Step	Level	Cons	Qty	Rep. QTY
46		CS0790741TH		THRUST COLLAR						1	
47	D	17804006		SCREW						1	
48	D	17805359		CAM ASM.						1	
49		17805300		CAM				*		1	
50		SS8110410TP		SCREW 11/64-40 L= 3.5				*		2	
51		17804253		LOOPER SHAFT ASM.						1	
52		17804204		LOOPER SHAFT				*		1	
53		SS8150410TP		SCREW 15/64-28 L= 4.0				*		2	
54	D	25001405		YORK SLIDE CAM						1	
55		SS8110410TP		SCREW 11/64-40 L= 3.5						1	
56	D	B1227372000A		LOOPER SHAFT BUSHING, FRONT						1	
57	R	SS8151150SP	SS8151150TP	SCREW 15/64-28 L=10.5						1	1.00
58	D	17803909		LOOPER SHAFT						1	
59		CS1111019SH		THRUST COLLAR D=11.11 W=10						1	
60		SS8660512TP		SCREW 1/4-40 L=5						1	
61		SS8660330SP		SCREW 1/4-40 L= 3.0						1	
62		B12243720A0		LOOPER SHAFT DR- IVEN GEAR ASM.						1	
63		B1224372000		LOOPER SHAFT DRIVEN GEAR (B)				*		1	
64		SS8660612TP		SCREW 1/4-40 L=6				*		2	
65		B1215372A00		THRUST BALL BEARING						1	
66	R	B1222372000	26013102	LOOPER SHAFT BUSHING, REAR						1	1.00
67	R	SS8151150SP	SS8151150TP	SCREW 15/64-28 L=10.5						1	1.00
68	D	25009101		KNIFE COVER	OPTIONAL PARTS (F- OR DOMESTIC USE)					1	
69	D	25003104		MOVING KNIFE SPACER						3	
70		16658700		COLLAR B						1	
71		SM8040602TP		SCREW M4X0.7 L=6						1	
72		25002601		YORK SLIDE GUIDE B						1	

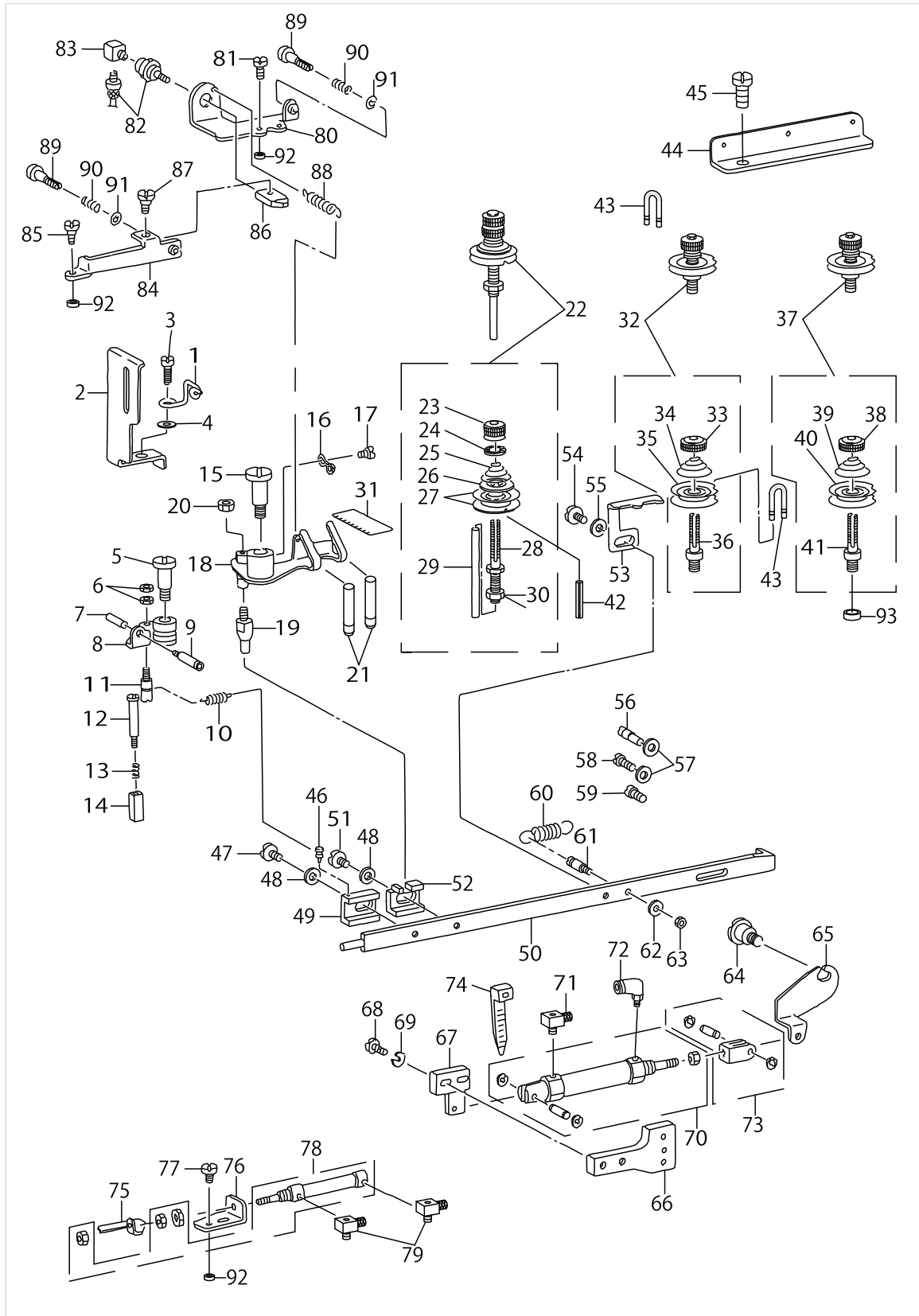
NIPPER & THREAD TENSION PARTS COMPONENTS



NIPPER & THREAD TENSION PARTS COMPONENTS

No.	Supply Code	Parts No.	Replacement	Parts name	Remarks	Choice	Step	Level	Cons	Qty	Rep. QTY
1		B2038372000		THREAD GUIDE NO. 2						1	
2		B1421372000		NEEDLE BAR GUARD						1	
3		SS7151210SP		SCREW15/64-28L=12						1	
4		WP0621016SD		WASHER 6.2X13X1						1	
5		SD0791271SP		HINGE SCREW D= 7.94 H=12.7						1	
6		NS6080210SP		NUT 1/8-44						2	
7	R	B2035372000	26020602	NUT						1	1.00
8	R	B20313720A0	26000950	THREADNIPPERASM.						1	1.00
9	R	B2034372000	26020503	THREAD RELEASING SCREW STUD						1	1.00
10	R	B2037372000	26020800	NIPPER BAR BLOCK SPRING						1	1.00
11	R	B2036372000	26020701	NIPPER BAR BLOCK SPRING SCREW						1	1.00
12		SD0402001TP		SCREW D=4 H=20						1	
13	R	B2029372000	26020404	NIPPER BLOCK SPRING						1	1.00
14	R	B2028372000	26020305	NIPPER BLOCK						1	1.00
15		SD0791501SP		HINGE SCREW D= 7.94 H=15.0						1	
16	R	B2040373000	26021501	THREAD GUIDE						1	1.00
17		SS7090510SP		SCREW9/64-40L=4.6						1	
18		17808452		THREAD TENSION LEVER						1	
19		B2026372000		THREAD ADJUSTING LEVER PIN						1	
20		NS6660430SP		NUT 1/4-40						1	
21	R	B2024372000A	26020206	THREAD GUIDE PIN						2	1.00
22		B20193720AA		TESION POST ASM., NO.2						1	
23	R	B3125012000	22928808	THREAD TENSION NUT				*		1	1.00
24		B3120125000		ROTATING STOPPER				*		1	
25		B2021372000		THREAD TENSION SPRING NO.2				*		1	
26		B3132012000		TENSION DISC HOLDER				*		1	
27		B2016372000		TENSION DISC				*		2	
28		B2019372000		TENSION POST NO.2				*		1	
29		B2020372000		TENSION RELEASE PIN				*		1	
30		NS6160520SP		NUT 1/4-24				*		1	
31	D	17800707		SEAL						1	
32	R	B20153720A0	26005157	THREAD TENSION ASM. (NO.1)						1	1.00
33		B2314019000		TENSION POST NUT				*		1	
34		B2017372000		TENSION SPRING NO.1				*		1	
35		B2016372000		TENSION DISC				*		2	
36	D	B2015372000		THREAD TENSION STAFF NO. 1				*		1	
37	D	17810052		POST PIN NO.1 ASM.						1	
38		B2314019000		TENSION POST NUT				*		1	
39		D3129555D00		THREAD TENSION SPRING				*		1	
40		B2016372000		TENSION DISC				*		2	
41	D	B2015372000		THREAD TENSION STAFF NO. 1				*		1	
42		PS0300162KH		SPRING PIN 3X16						1	
43	R	B2014372000A	26019505	THREAD GUIDE						2	1.00
44		17961707		THREAD GUIDE NO.1						1	
45		SS7151210SP		SCREW15/64-28L=12						1	
46	R	B2012372000	26019406	NIPPER BAR BLOCK SPRING PIN						1	1.00

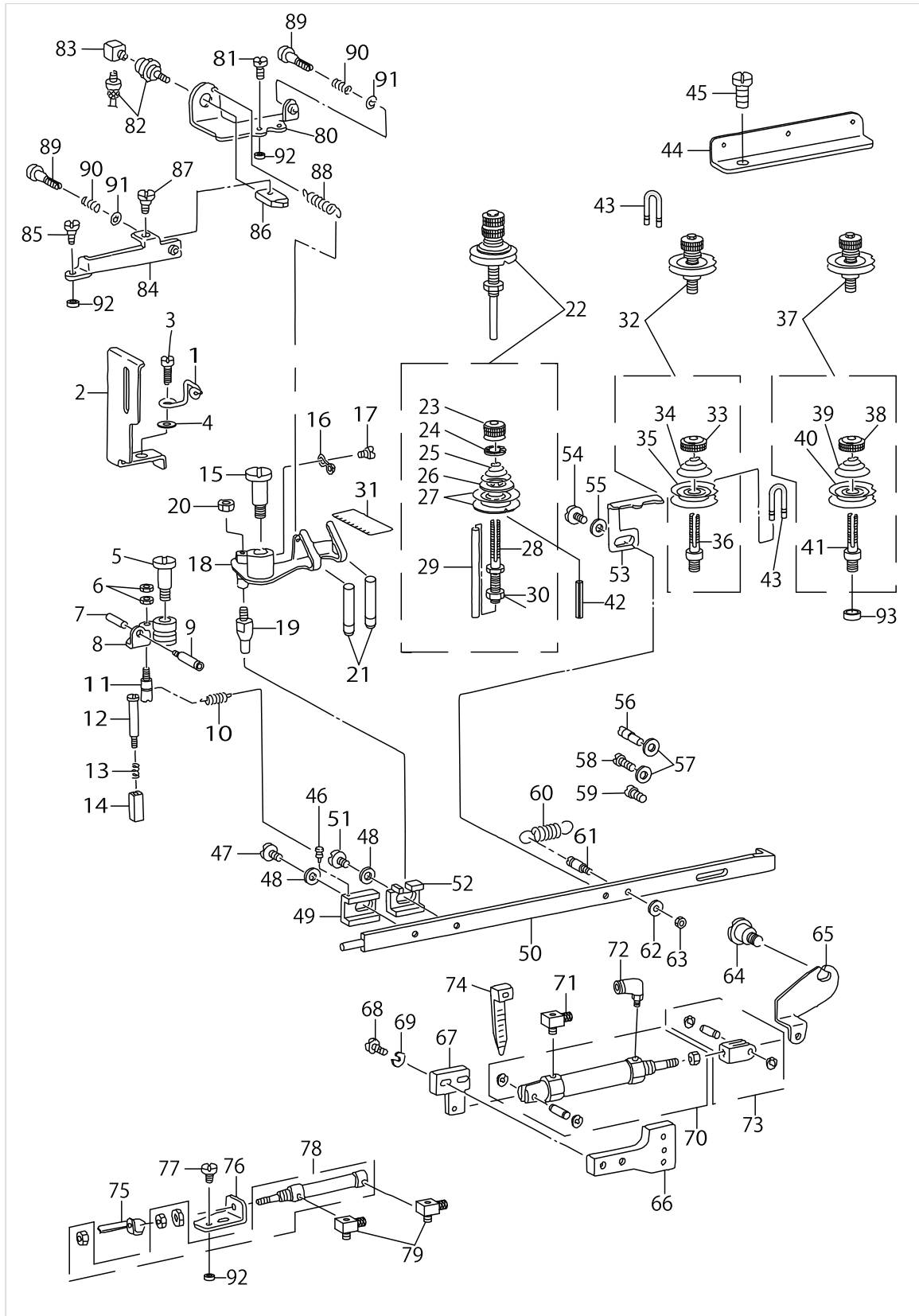
NIPPER & THREAD TENSION PARTS COMPONENTS



NIPPER & THREAD TENSION PARTS COMPONENTS

No.	Supply Code	Parts No.	Replacement	Parts name	Remarks	Choice	Step	Level	Cons	Qty	Rep. QTY
47		SS6120930TP		SCREW 3/16-28 L=9						1	
48		WP0501016SD		WASHER 5X10.5X1						2	
49	R	B2011372000	26019307	NIPPER BAR BLOCK						1	1.00
50	R	B2004372000	26001909	NIPPER BAR						1	1.00
51		SS6120930TP		SCREW 3/16-28 L=9						1	
52	D	17809203		NIPPER BAR BLOCK REAR						1	
53		17808106		RELEASE PLATE						1	
54		SS6120930TP		SCREW 3/16-28 L=9						1	
55		WP0501016SD		WASHER 5X10.5X1						1	
56		B2006372000		ADJUSTING SCREW						1	
57		WP0480856SP		WASHER 4.8X8.4X0.8						2	
58		SS6121610TP		SCREW 3/16-28 L=15.5						1	
59		SS6121050SP		SCREW 3/16-28 L=9.5						1	
60		B2008372000		THREAD TENSION SPRING						1	
61		B2007372000		NIPPER BAR SPRING SCREW						1	
62		WP0371016SD		WASHER 3.7X8X1						1	
63		NS6080340SP		NUT 1/8-44						1	
64	R	SD0790802SP	SD0790802TP	HINGE SCREW D= 7.94 H= 8.0						1	1.00
65		17808056		THREAD TENSION PLATE ASM.						1	
66	D	17808205		TENSION GUIDE BASE A						1	
67		17808304		TENSION GUIDE BASE B						1	
68		SS7111410TP		SCREW 11/64-40L=14						2	
69		WS0451040KP		SPRING WASHER 4.5X8.5X1						2	
70		PA1501009A0		CYLINDER						1	
71		PJ042050002		ELBOW						1	
72		PJ304040504		ELBOW UNION						1	
73		PX500020000		KNUCKLE JOINT						1	
74		EA9500B0100		CABLE BAND						1	
75		17807702		PLATE						1	
76		17807801		CYLINDER INSTALLING PLATE A						1	
77		SS6120940SP		SCREW 3/16-28 L=9						2	
78		PA1003012A0		CYLINDER						1	
79		PJ042050002		ELBOW						2	
80		17808551		THREAD ADJUSTING BASE ASM.						1	
81		SS6120940SP		SCREW 3/16-28 L=9						2	
82		PA1000506A0		CYLINDER						1	
83		PJ042050002		ELBOW						1	
84	D	17808759		THREAD ADJUSTING LINK ASM.						1	
85		SD0790203SP		HINGE SCREW D=7.94 H=2						1	
86	D	17808809		JOINT						1	
87		SD0600271SP		HINGE SCREW D= 6 H= 2.7						1	
88		17808908		SPRING						1	
89	D	17809005		KNOB						2	
90	D	17809104		SPRING						2	
91		B3120125000		ROTATING STOPPER						2	
92		17802505		COLLAR A						5	

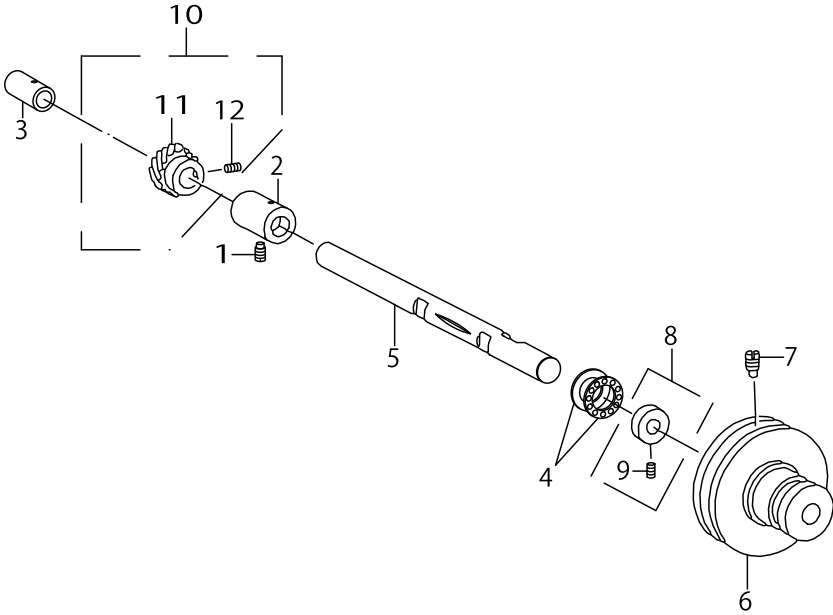
NIPPER & THREAD TENSION PARTS COMPONENTS



NIPPER & THREAD TENSION PARTS COMPONENTS

No.	Supply Code	Parts No.	Replacement	Parts name	Remarks	Choice	Step	Level	Cons	Qty	Rep. QTY
93		17802604		COLLAR B						1	

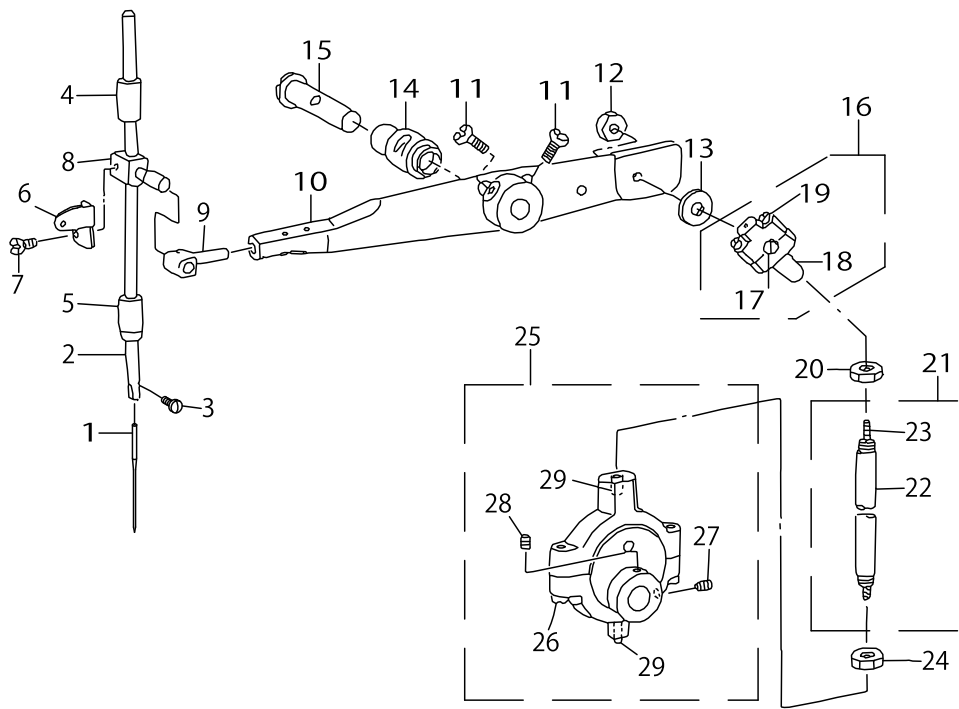
NEEDLE DRIVING PULLEY SHAFT COMPONENTS



NEEDLE DRIVING PULLEY SHAFT COMPONENTS

No.	Supply Code	Parts No.	Replacement	Parts name	Remarks	Choice	Step	Level	Cons	Qty	Rep. QTY
1	R	SS8151150SP	SS8151150TP	SCREW 15/64-28 L=10.5						1	1.00
2		B1216372000		PULLEY SHAFT BUSHING, RIGHT						1	
3	R	B1223372000	26013201	PULLEY SHAFT BUSING, LEFT						1	1.00
4		B1215372B00		THRUST BALL BEARING						1	
5	D	17804303		DRIVE SHAFT						1	
6	D	17804402		HAND WHEEL						1	
7		SS8151550SP		SCREW 15/64-28 L=15						2	
8		CS127101ASH		THRUST COLLAR A- SM. D=12.7 W=10						1	
9		SS8660610TP		SCREW 1/4-40 L=6				*		2	
10	R	B12173720A0	B12173720BA	DRIVING GEAR ASM.						1	1.00
11	D	B1217372000		DRIVING GEAR (A)				*		1	
12		SS8660612TP		SCREW 1/4-40 L=6				*		2	

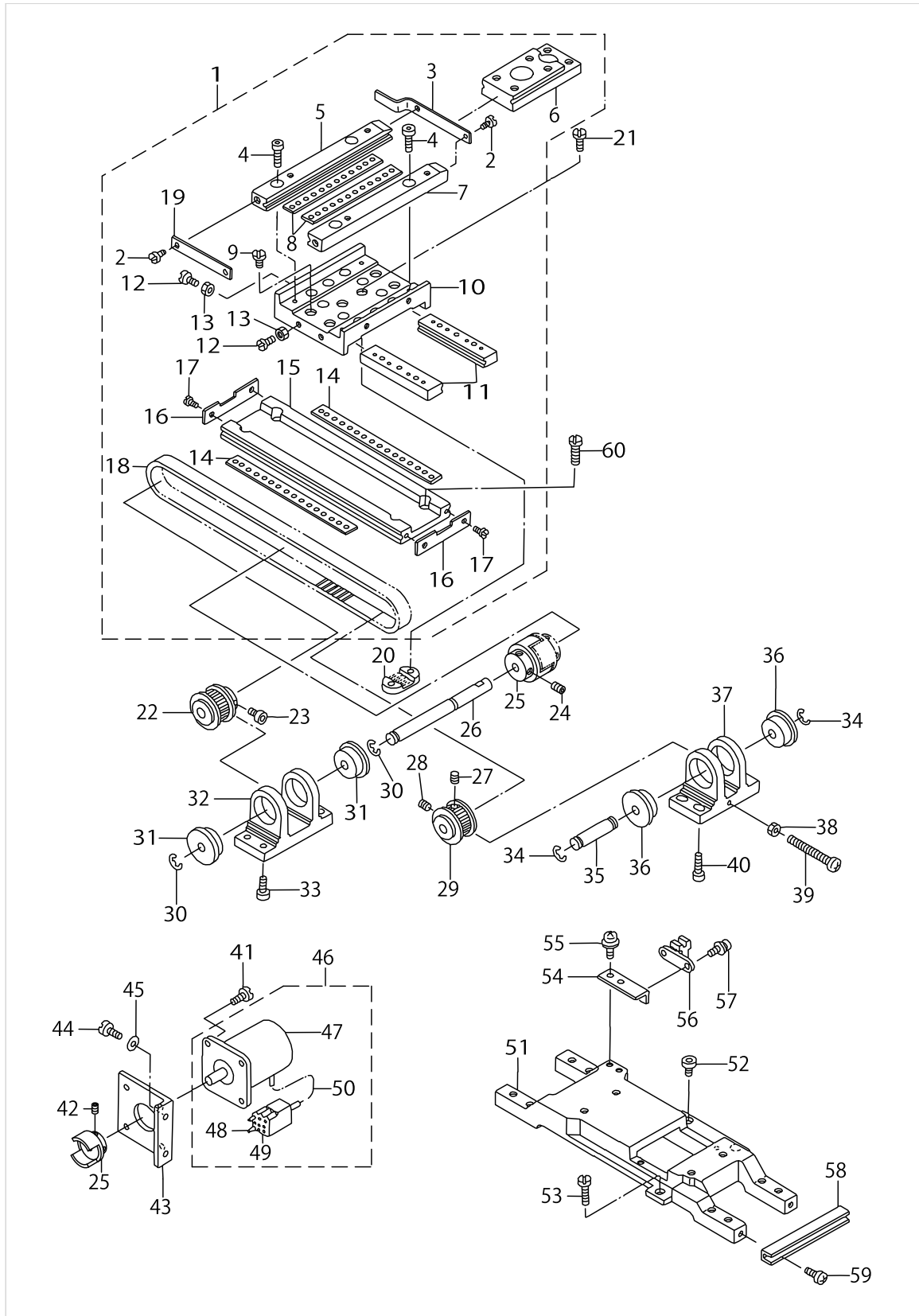
NEEDLE BAR DRIVING MECHANISM COMPONENTS



NEEDLE BAR DRIVING MECHANISM COMPONENTS

No.	Supply Code	Parts No.	Replacement	Parts name	Remarks	Choice	Step	Level	Cons	Qty	Rep. QTY
1	D	MCSM3320900		NEEDLE SMX332EXT.LG NM90						1	
2	D	25002007		NEEDLE BAR						1	
3		SS7080510TP		SCREW 1/8-44 L=4.5						1	
4	R	B1402372000	26017608	NEEDLE BAR BUSHING, UPPER						1	1.00
5		17803107		BUSHING						1	
6	D	17803206		THREAD TAKE-UP LEVER						1	
7		SS6091210TP		SCREW 9/64-40 L=12						1	
8		17806605		NEEDLE BAR SUPPORT						1	
9		17806506		SLIDE BLOCK A	SELECTIVE PART					1	
10	D	25001900		NEEDLE BAR LEVER						1	
11		SS9151630CP		SCREW 15/64-28 L=15.5						2	
12		NS6150440SP		NUT 15/64-28						1	
13		B1411372A00		WASHER	SELECTIVE PART					1	
14	R	B1407372000	26018101	BUSHING						1	1.00
15	R	B1408372000	26018200	LIFTING LEVER SHAFT						1	1.00
16		17806951		BALL JOINT UPPER ASM. SMALL						1	
17	R	B1410372000	B14123720A0	JOINT PIN				*		1	1.00
18	R	B1412372000	B14123720A0	CRANK CONNECTING ROD,SMALL				*		1	1.00
19	D	17806902		SCREW SMALL				*		2	
20		NS6680410SP		NUT 9/32-28						1	
21		25001751		CRANK BAR ASM.						1	
22		25001702		CRANK BAR				*		1	
23		CQ200000000		OIL WICK				*		0.3	
24		NS6680480SP		NUT 9/32-28						1	
25	D	B14163720A0		BALL JOINT ECCENTRIC ASM.						1	
26		B1418372000		CLAMP SCREW LOWER				*		2	
27		SS8660942TP		SCREW 1/4-40 L= 8.5				*		1	
28		SS8660612TP		SCREW 1/4-40 L=6				*		1	
29	R	B1419372000	26018309	OIL WICK				*		2	1.00

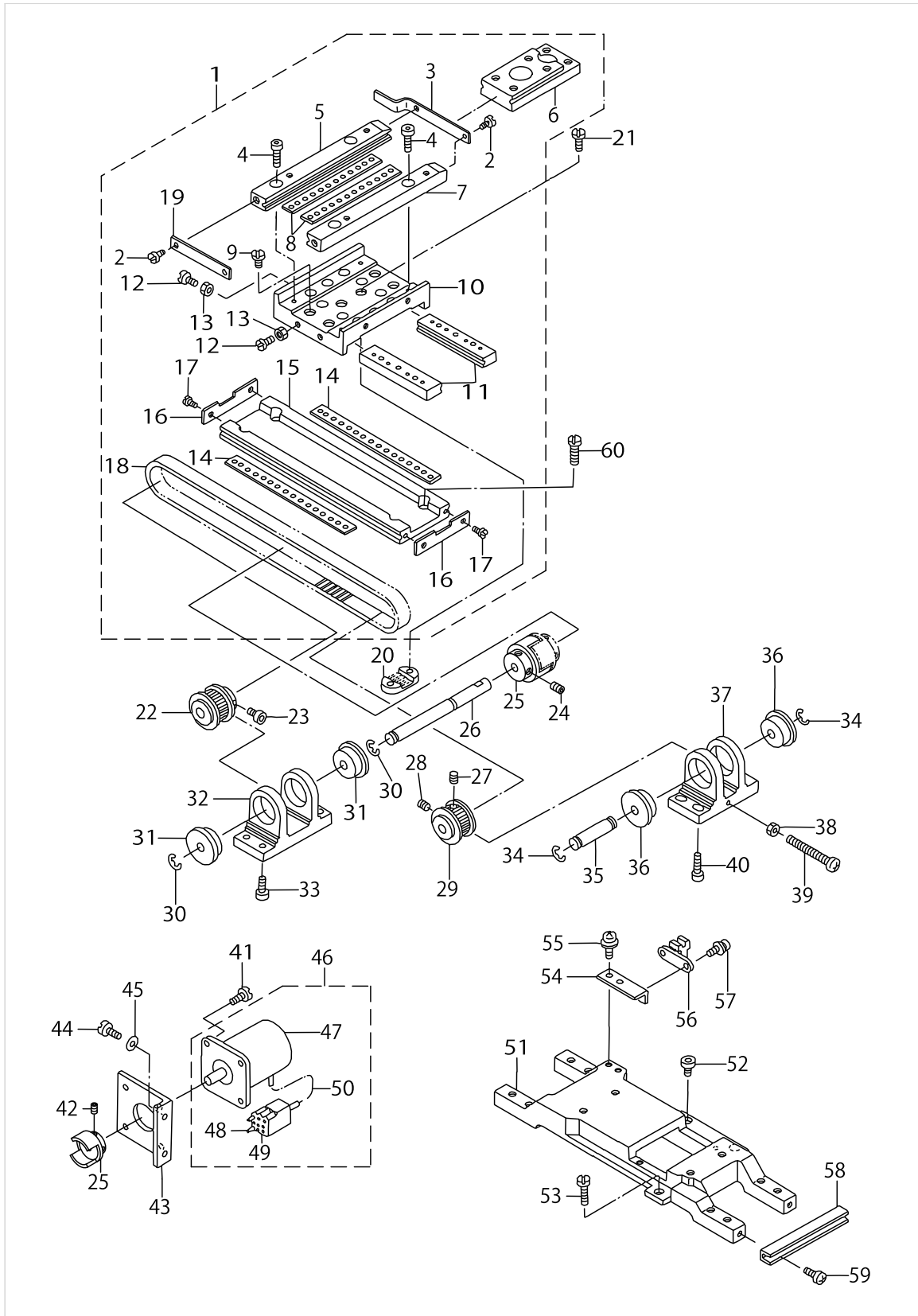
X-Y STEPPING MOTOR COMPONENTS (X SHAFT)



X-Y STEPPING MOTOR COMPONENTS (X SHAFT)

No.	Supply Code	Parts No.	Replacement	Parts name	Remarks	Choice	Step	Level	Cons	Qty	Rep. QTY
1		17814054		XY TABLE ASM.						1	
2	R	SS6090620SP	SS6090620TP	SCREW 9/64-40 L=6				*		4	1.00
3	D	17814104		X SLIT PLATE				*		2	
4		SM6041402TP		SCREW M4 L=14				*		4	
5	D	B2519205000		Y FIXED RACE, A				*		1	
6	D	B2519210000		Y REMOVAL RACE				*		1	
7	D	B2520205000		Y FIXED RACE, B				*		1	
8		B2522205000		Y BALL GAUGE				*		2	
9		SS7110910TP		SCREW 11/64-40 L= 8.5				*		4	
10	R	B2502210000	B25012100A0	RACE TABLE				*		1	1.00
11		B2503210000		X REMOVAL RACE				*		2	
12		SS7110910TP		SCREW 11/64-40 L= 8.5				*		4	
13		NS6110310SP		NUT 11/64-40				*		4	
14		B2521210000A		Y BALL GAUGE				*		2	
15	D	B2501205000		X FIXED RACE				*		1	
16		B2507210000		X STOPPER				*		2	
17	R	SS6090620SP	SS6090620TP	SCREW 9/64-40 L=6				*		4	1.00
18	D	B2512205000		X TIMING BELT				*		1	
19		B2522210000		Y STOPPER				*		1	
20		B2509210000		X BELT RECEIVER						1	
21		SS6110610TP		SCREW 11/64-40 L=6						2	
22		B2513210000		SPROCKET WHEEL						1	
23		SM6040602TP		SCREW M4 L=6						2	
24		SM8050802TP		SCREW M5X0.8 L=8						2	
25		B2516205000A		COUPLING						1	
26	D	17812801		X-Y DRIVE SHAFT						1	
27		SM8040602TP		SCREW M4X0.7 L=6						1	
28		SM8040802TP		SCREW M4X8						1	
29		B2514210000		SPROCKET WHEEL						1	
30		RE0600000K0		E-RING 6						2	
31		SB108000500		RADIAL BEARING						2	
32	D	B2504210000		BRACKET, A						1	
33		SM6051602TP		SCREW M5X0.8 L=16						4	
34		RE0600000K0		E-RING 6						2	
35		B2515210000		X BRACKET SHAFT						1	
36		SB108000500		RADIAL BEARING						2	
37	D	B2505210000		BRACKET, B						1	
38		NM6050003SC		NUT M5X0.8						1	
39		SM4051601SC		SCREW M5X0.8 L=16						1	
40		SM6051602TP		SCREW M5X0.8 L=16						4	
41		SS4110915SP		SCREW 11/64-40 L=9						4	
42		SM8050802TP		SCREW M5X0.8 L=8						2	
43		17813817		X MOTOR INSTALLING PLATE						1	
44		SS4110915SP		SCREW 11/64-40 L=9						2	
45		WP0501016SD		WASHER 5X10.5X1						2	
46	D	25018755		X STEPPING MOTOR (B) ASM.						1	

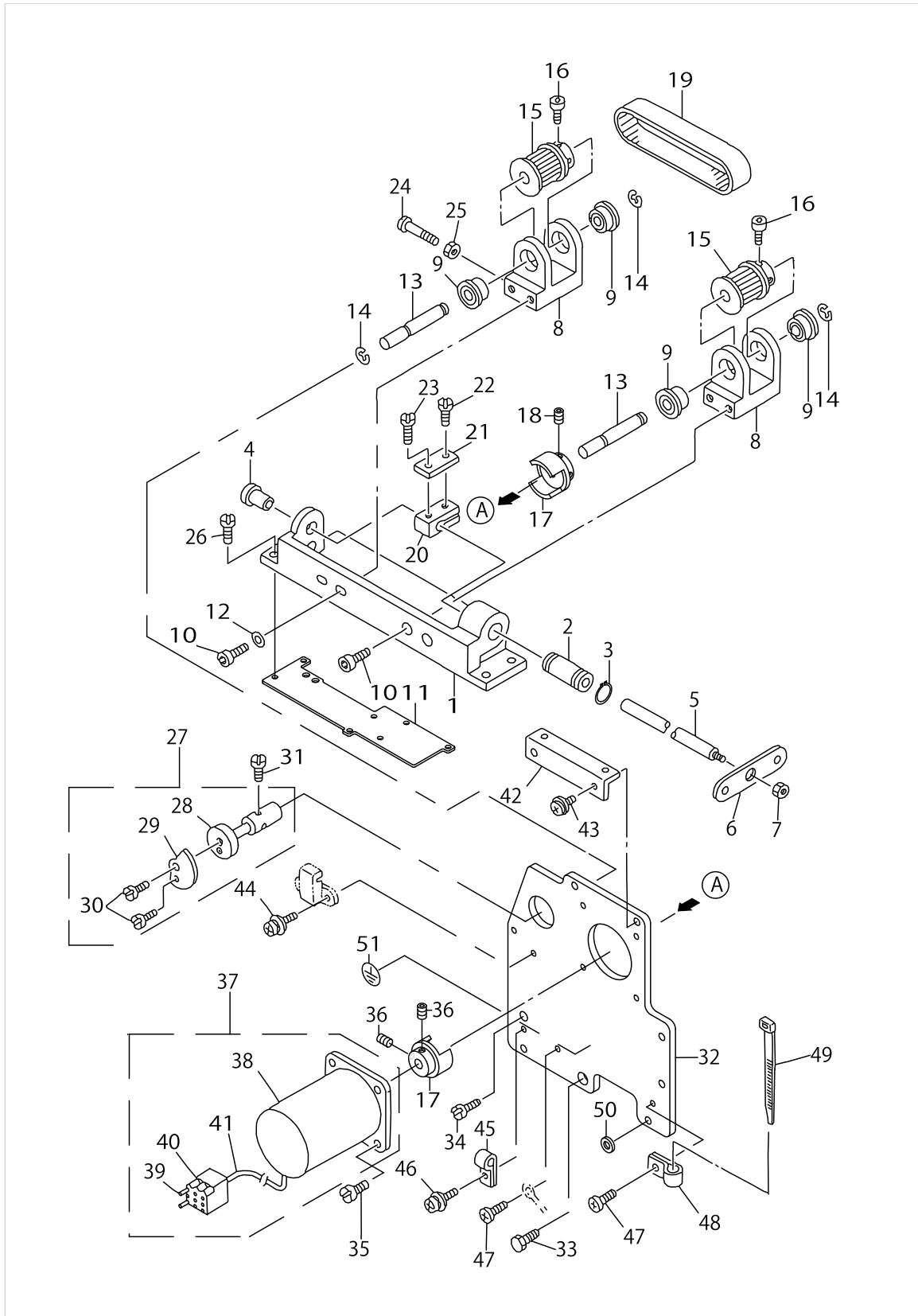
X-Y STEPPING MOTOR COMPONENTS (X SHAFT)



X-Y STEPPING MOTOR COMPONENTS (X SHAFT)

No.	Supply Code	Parts No.	Replacement	Parts name	Remarks	Choice	Step	Level	Cons	Qty	Rep. QTY
47	R	25018706	25018755	STEPPING MOTOR				*		1	1.00
48		HK003940010		PIN-SHAPE TERMINAL, FEMALE				*		4	
49	D	D8621761C0B		6P RECEPTACLE (BLUE)				*		1	
50		E8760452M00		TUBE				*		0.1	
51		17963703		X-Y TABLE BASE						1	
52		SS6151412TP		SCREW15/64-28L=14						2	
53		SS9151210TP		SCREW 15/64-28 L=11.8						1	
54	D	17814500		X INSTALLING PLATE						1	
55		SL4030891SC		SCREW M3X8						2	
56	D	17840653		SENSOR ASM.						1	
57		SL4031291SC		SCREW M3X12						2	
58	D	17814203		X ADJUSTING BASE						1	
59		SM4040801SN		SCREW M4 L=8						2	
60		SS6121210SP		SCREW 3/16-28 L=12						4	

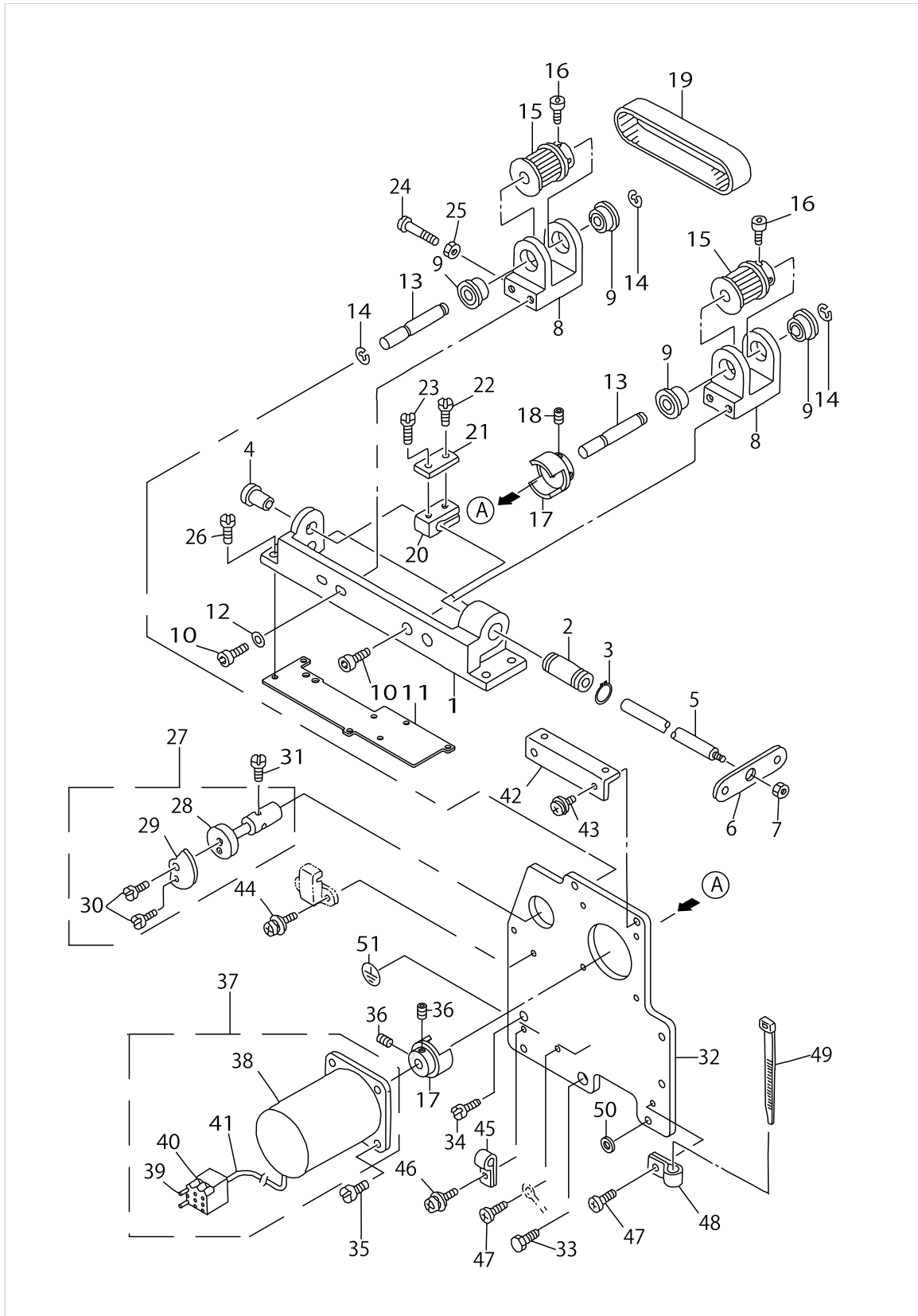
X-Y STEPPING MOTOR COMPONENTS (Y SHAFT)



X-Y STEPPING MOTOR COMPONENTS (Y SHAFT)

No.	Supply Code	Parts No.	Replacement	Parts name	Remarks	Choice	Step	Level	Cons	Qty	Rep. QTY
1		17812603		Y SHAFT BASE						1	
2		SB710000200		SLIDE BEARING						1	
3		RC1900001KP		C-RING						1	
4	D	17813403		Y COLLAR						1	
5		17812900		Y MOVING SHAFT						1	
6		B2525205000		Y REMOVAL BRACKET						1	
7		NS6150310SP		NUT 15/64-28						1	
8	D	17812702		Y BRACKET						2	
9		SB108000500		RADIAL BEARING						4	
10		SM6051202TP		SCREW M5X0.8 L=12						4	
11		25001603		SPACER B						1	
12		WP0531000SC		WASHER 5.3X10X1						2	
13	D	17812801		X-Y DRIVE SHAFT						2	
14		RE0600000K0		E-RING 6						4	
15		B2513210000		SPROCKET WHEEL						2	
16		SM6040602TP		SCREW M4 L=6						4	
17		B2516205000A		COUPLING						1	
18		SM8050802TP		SCREW M5X0.8 L=8						2	
19	D	17813106		Y TIMING BELT						1	
20	D	B2536210000		Y BELT BASE						1	
21		B2526210000		Y BELT RECEIVER						1	
22		SS7111810TP		SCREW 11/64-40L=18						1	
23		SS7110910TP		SCREW 11/64-40 L= 8.5						1	
24		SM4052501SC		SCREW M5X0.8 L=25						1	
25		NM6050003SC		NUT M5X0.8						1	
26		SS6151612TP		SCREW						4	
27	D	17813056		Y SLIT PLATE BOSS ASM.						1	
28		17813007		Y SLIT PLATE BOSS				*		1	
29	R	B4008205000	B40082050A0	Y SLIT PLATE				*		1	1.00
30		SS7090850SP		SCREW 9/64-40 L=8				*		2	
31		SS6090610SP		SCREW 9/64-40L=5.5						2	
32		25004003		Y MOTOR INSTALLING BASE						1	
33		SS9201813CP		SCREW 5/16-18 L=18						1	
34		SS6151440SP		SCREW 15/64-28L=14						1	
35		SS4110915SP		SCREW 11/64-40 L=9						4	
36		SM8050802TP		SCREW M5X0.8 L=8						2	
37	D	25018854		Y STEPPING MOTOR (B) ASM.						1	
38	R	25018706	25018755	STEPPING MOTOR				*		1	1.00
39		HK003940010		PIN-SHAPE TERMINAL, FEMALE				*		4	
40		HK018620060		6-POLE CONNECTOR				*		1	
41		E8760452M00		TUBE				*		0.1	
42	D	17813304		XY COVER PLATE						1	
43		SL4051091SC		SCREW M5X0.8 L=10						2	
44		SL4030891SC		SCREW M3X8						2	
45		HX00150000A		CABLE CLAMP						1	
46		SL4040891SC		SCREW M4 L=8						1	

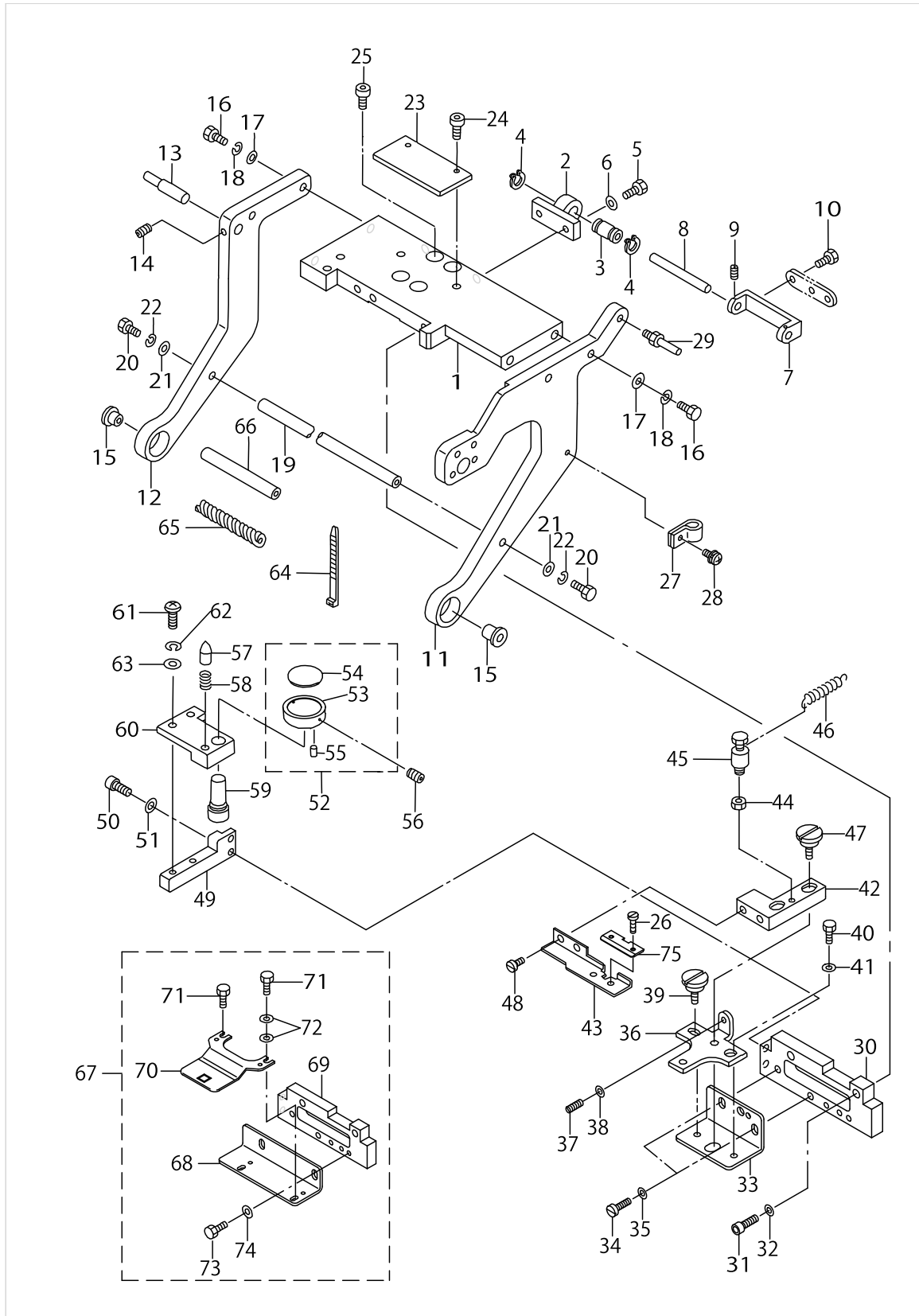
X-Y STEPPING MOTOR COMPONENTS (Y SHAFT)



X-Y STEPPING MOTOR COMPONENTS (Y SHAFT)

No.	Supply Code	Parts No.	Replacement	Parts name	Remarks	Choice	Step	Level	Cons	Qty	Rep. QTY
47		SL4040891SC		SCREW M4 L=8						2	
48		HX00150000A		CABLE CLAMP						1	
49		EA9500B0100		CABLE BAND						1	
50		11047305		BELT COVER RUBBER CUSHION						2	
51	R	10004109	22901805	GROUND MARK						1	1.00

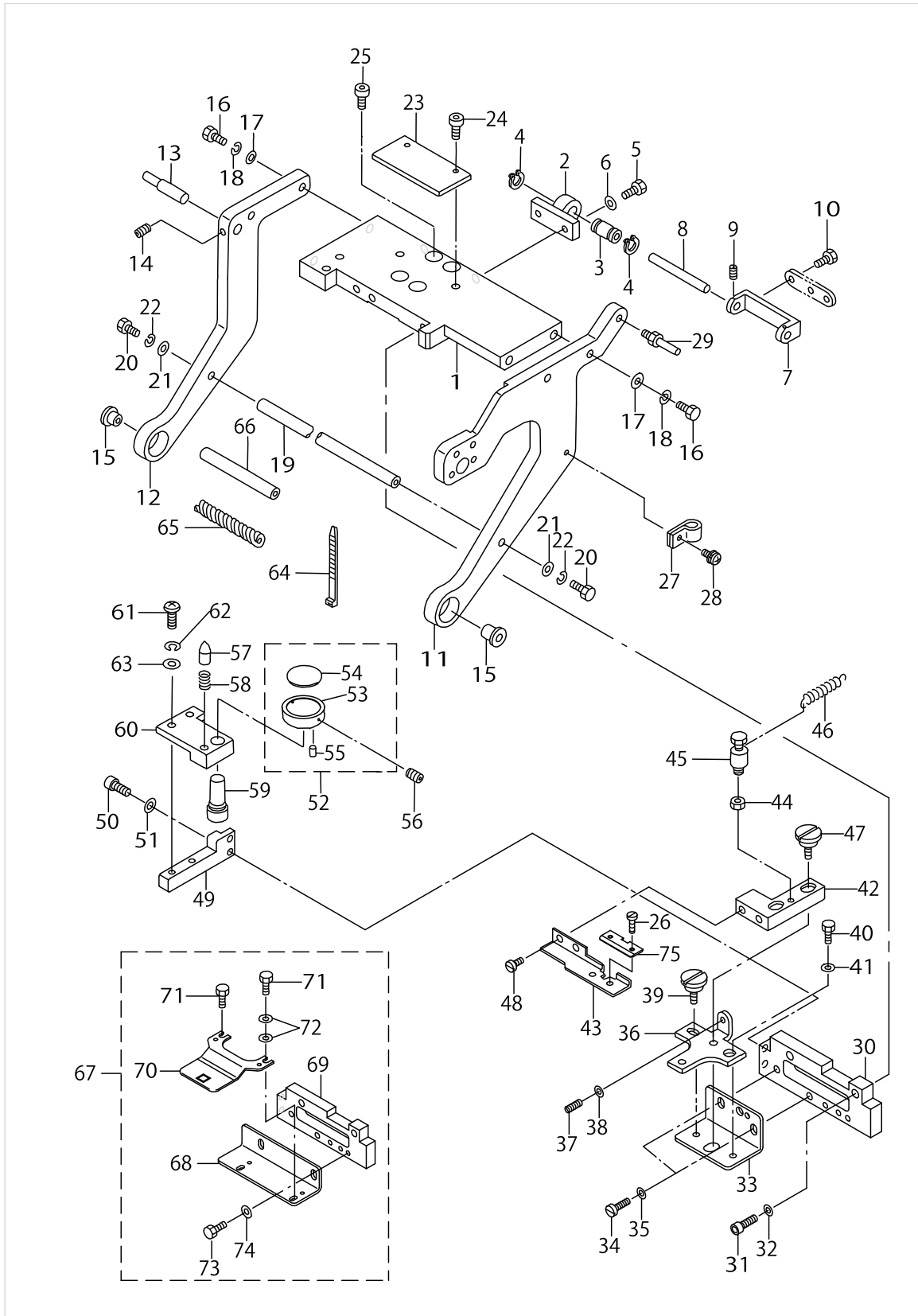
X-Y FRAME COMPONENTS



X-Y FRAME COMPONENTS

No.	Supply Code	Parts No.	Replacement	Parts name	Remarks	Choice	Step	Level	Cons	Qty	Rep. QTY
1		25004110		Y TABLE BASE						1	
2	D	17816604		Y TABLE SHAFT BRACKET						1	
3		SB710000200		SLIDE BEARING						1	
4		RC1900001KP		C-RING						2	
5		SM9062003SC		SCREW M6 L=20						2	
6		WP0641600SC		WASHEW6.4X12.5X1.6						2	
7		17816307		X SHAFT SUPPORT						1	
8	D	B2510205000		X GUIDE SHAFT						1	
9		SS8110422TP		SCREW 11/64-40 L=4						2	
10		SS9150910SP		SCREW						2	
11	D	25004201		FRAME, RIGHT						1	
12		25004300		FRAME, LEFT						1	
13		17816919		CYLINDER SHAFT						1	
14		SM8050612TP		SCREW M5X6						1	
15		SB110000500		BEARING						2	
16		SM9062553SC		SCREW M6 L=25						4	
17		WP0641600SC		WASHEW6.4X12.5X1.6						4	
18		WS0610002KN		SPRING WASHER 6.1X12.2X1.5						4	
19		17816505		FRAME SHAFT						1	
20		SM9062003SC		SCREW M6 L=20						2	
21		WP0641600SC		WASHEW6.4X12.5X1.6						2	
22		WS0610002KN		SPRING WASHER 6.1X12.2X1.5						2	
23		17816406		SLIDER PLATE						1	
24		SM6050802TR		SCREW M5X0.8 L=8						2	
25		SS6151612TP		SCREW						4	
26		SS2060210SP		SCREW 3/32-56 L=2.3						2	
27		HX00150000D		CABLE CLIP						1	
28		SL4041091SC		SCREW M4 L=10						1	
29		17816711		CYLINDER SHAFT						1	
30		25004508		INSTALLING PLATE BLOCK						1	
31		SM6051602TR		SCREW M5 L=16						2	
32		WP0531000SC		WASHER 5.3X10X1						2	
33	D	25004607		FITTING PLATE						1	
34		SM9051450SC		SCREW M5X0.8 L=14						2	
35		WP0531000SC		WASHER 5.3X10X1						2	
36		25004706		FIXING PLATE						1	
37		SS8111010TP		SCREW 11/64-40 L=9.5						1	
38		NS6110310SP		NUT 11/64-40						1	
39		SD0550212TP		HINGE SCREW D=5.5 H=2.1						1	
40		SS9110543CP		SCREW 11/64-40 L=5.3						1	
41		WP0450801SD		WASHER 4.5X10X0.8						1	
42		25004805		BLOCK						1	
43		25005000		SUPPORT PLATE						1	
44		NS6090310SP		NUT 9/64-40						1	
45		GBR01357000		SPRING HOOK						1	
46	D	GBR01333000		TENSION SPRING						1	

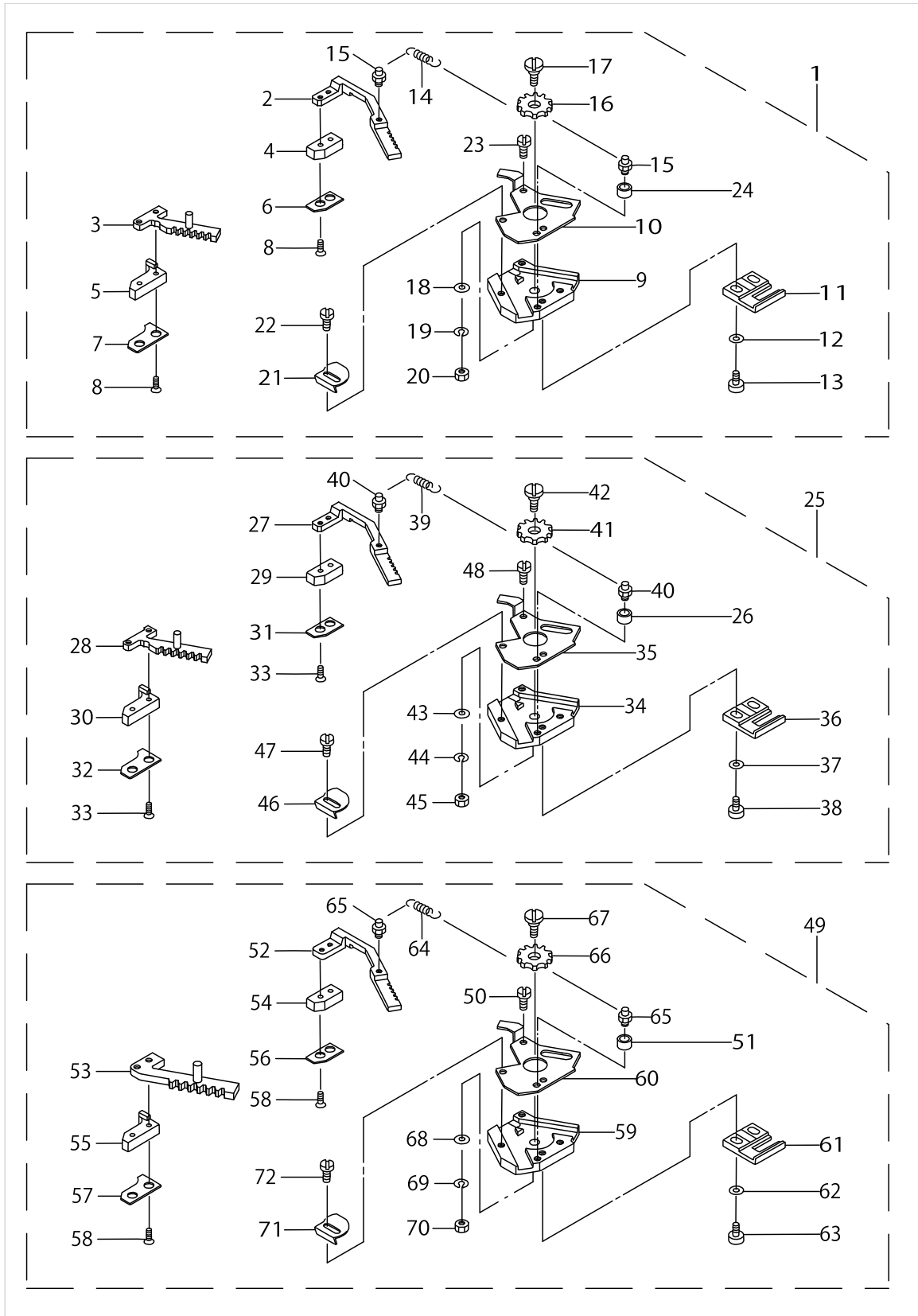
X-Y FRAME COMPONENTS



X-Y FRAME COMPONENTS

No.	Supply Code	Parts No.	Replacement	Parts name	Remarks	Choice	Step	Level	Cons	Qty	Rep. QTY
47		SD0700811TP		HINGE SCREW						2	
48		SS6090540SP		SCREW 9/64-40 L=5.0						2	
49		25005505		SIDE BLOCK						1	
50		SM6051602TR		SCREW M5 L=16						2	
51		WS0510002KN		SPRING WASHER						2	
52		25005752		SCOOP ADJUSTING KNOB ASM.						1	
53		25005703		SCOOP ADJUSTING KNOB				*		1	
54		25005802		SCOOP PIAL PLATE				*		1	
55		PS0200082KH		SPRING PIN				*		2	
56		SS8090710SP		SCREW 9/64-40 L=7.0						2	
57		17825514		RATCHET						1	
58		B152652700G		SPRING						1	
59	D	25005901		SCOOP ADJUSTING CAM						1	
60		25005604		CAM BASE						1	
61		SM4051601SC		SCREW M5X0.8 L=16						2	
62		WS0510002KN		SPRING WASHER						2	
63		WP0531000SC		WASHER 5.3X10X1						2	
64		EA9500B0100		CABLE BAND						4	
65		E1022760000		SPIRAL TUBE						.2	
66		HX00088000A		TUBE A (10)						.2	
67		25009051		LOWER PLATE ASM.	OPTIONAL PARTS (F-OR DOMESTIC USE)					1	
68		25009002		INSTALLING BASE				*		1	
69		25004508		INSTALLING PLATE BLOCK				*		1	
70		17829003		SUPPORT PLATE LOWER (M BUTTON)				*		1	
71		SS9110543CP		SCREW 11/64-40 L=5.3				*		2	
72		WP0450801SD		WASHER 4.5X10X0.8				*		2	
73		SM9051450SC		SCREW M5X0.8 L=14				*		2	
74		WP0531000SC		WASHER 5.3X10X1				*		2	
75	D	25005109		SPACER						1	

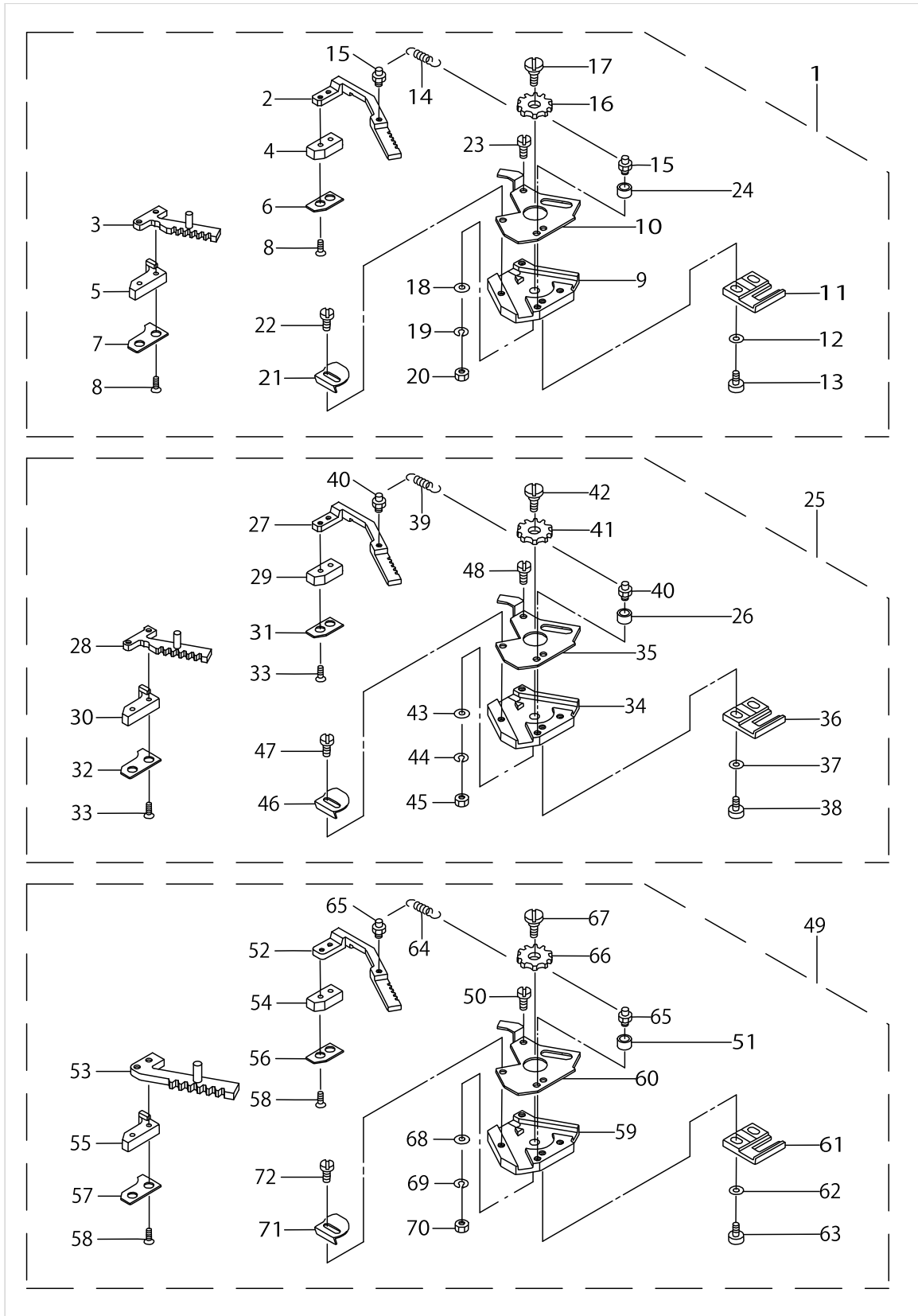
CHUCK COMPONENTS



CHUCK COMPONENTS

No.	Supply Code	Parts No.	Replacement	Parts name	Remarks	Choice	Step	Level	Cons	Qty	Rep. QTY
1	D	25010059		BUTTON CHUCK BASE COMPL.						1	
2		25010000		BUTTON CHUCK BASE, LEFT				*		1	
3		25010158		BUTTON CHUCK B-ASE(RIGHT)MEDIUM				*		1	
4	D	17969304		CHUCK SPACER BASE, LEFT				*		1	
5		17969403		CHUCK SPACER BASE, RIGHT				*		1	
6		25010208		BUTTON RECEIVING PLATE, LEFT				*		1	
7		25010307		BUTTON RECEIVING PLATE, RIGHT				*		1	
8		SM1850951SD		SCREW M2.5 L=9				*		4	
9	D	25010604		SLIDE BASE				*		1	
10		25010703		COLLAR				*		1	
11		25012006		BUTTON CHUCK ADJUST BASE				*		1	
12		WP0371016SD		WASHER 3.7X8X1				*		2	
13	R	SS6090620SP	SS6090620TP	SCREW 9/64-40 L=6				*		2	1.00
14		17970609		CHUCK SPRING				*		1	
15		17821208		SUSPENSION SCREW B				*		2	
16	D	17821018		OPEN AND SHUT GEAR				*		1	
17		SD0800291TP		HINGE SCREW				*		1	
18		WP0450801SD		WASHER 4.5X10X0.8				*		1	
19		WS0451040KP		SPRING WASHER 4.5X8.5X1				*		1	
20		NS6110420SP		NUT 11/64-40				*		1	
21	D	17821802		BUTTON CHUCK STOPPER				*		1	
22		SS6080610TP		SCREW 1/8-44 L=6				*		1	
23		SS6080410SP		SCREW 1/8-44 L=4				*		2	
24		25010703		COLLAR				*		1	
25		25010851		BUTTON CHUCK BASE COMPL.						1	
26		25010703		COLLAR				*		1	
27		25010802		BUTTON CHUCK BASE, LEFT				*		1	
28	D	25010950		BUTTON CHUCK B-ASE(RIGHT),LARGE				*		1	
29		25011008		CHUCK SPACER BASE, LEFT				*		1	
30	D	25011107		CHUCK SPACER BASE, RIGHT				*		1	
31		25011206		BUTTON RECEIVING PLATE, LEFT				*		1	
32		25011305		BUTTON RECEIVING PLATE, RIGHT				*		1	
33		SM1850951SD		SCREW M2.5 L=9				*		4	
34	D	25010604		SLIDE BASE				*		1	
35		25010703		COLLAR				*		1	
36		25012006		BUTTON CHUCK ADJUST BASE				*		1	
37		WP0371016SD		WASHER 3.7X8X1				*		2	
38	R	SS6090620SP	SS6090620TP	SCREW 9/64-40 L=6				*		2	1.00
39		17970609		CHUCK SPRING				*		1	
40		17821208		SUSPENSION SCREW B				*		2	
41	D	17821018		OPEN AND SHUT GEAR				*		1	
42		SD0800291TP		HINGE SCREW				*		1	
43		WP0450801SD		WASHER 4.5X10X0.8				*		1	
44		WS0451040KP		SPRING WASHER 4.5X8.5X1				*		1	
45		NS6110420SP		NUT 11/64-40				*		1	

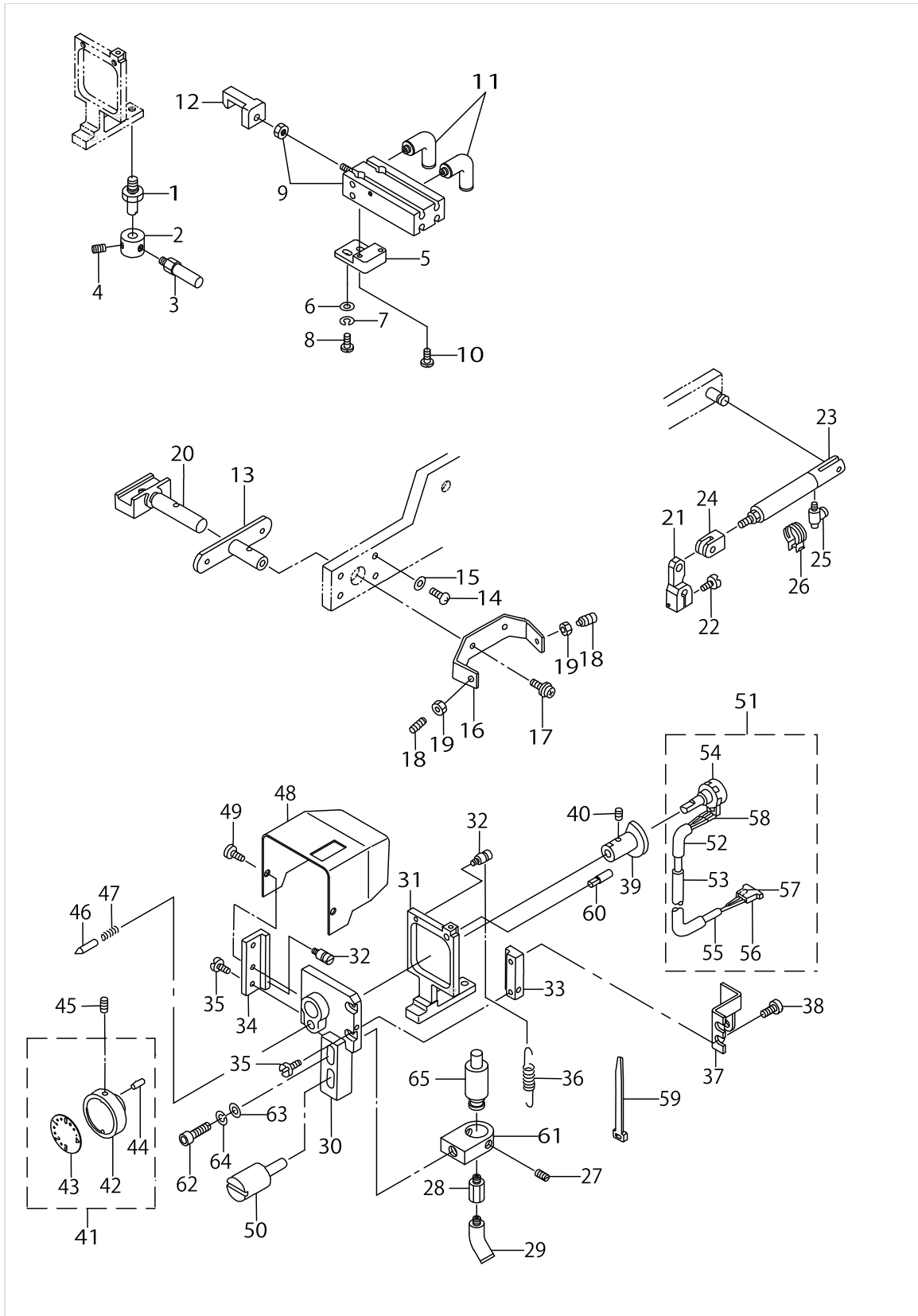
CHUCK COMPONENTS



CHUCK COMPONENTS

No.	Supply Code	Parts No.	Replacement	Parts name	Remarks	Choice	Step	Level	Cons	Qty	Rep. QTY
46	D	17821802		BUTTON CHUCK STOPPER				*		1	
47		SS6080610TP		SCREW 1/8-44 L=6				*		1	
48		SS6080410SP		SCREW 1/8-44 L=4				*		2	
49		25011453		BUTTON CHUCK BASE COMPL.				*		1	
50		SS6080410SP		SCREW 1/8-44 L=4				*		2	
51		25010703		COLLAR				*		1	
52		25011404		BUTTON CHUCK BASE, LEFT				*		1	
53		25011552		BUTTON CHUCK B-ASE(RIGHT),SMALL				*		1	
54		25011602		CHUCK SPACER BASE, LEFT				*		1	
55		25011701		CHUCK SPACER BASE, RIGHT				*		1	
56		25011800		BUTTON RECEIVING PLATE, LEFT				*		1	
57		25011909		BUTTON RECEIVING PLATE, RIGHT				*		1	
58		SM1850951SD		SCREW M2.5 L=9				*		4	
59	D	25010604		SLIDE BASE				*		1	
60		25010703		COLLAR				*		1	
61		25012006		BUTTON CHUCK ADJUST BASE				*		1	
62		WP0371016SD		WASHER 3.7X8X1				*		2	
63	R	SS6090620SP	SS6090620TP	SCREW 9/64-40 L=6				*		2	1.00
64		17970609		CHUCK SPRING				*		1	
65		17821208		SUSPENSION SCREW B				*		2	
66	D	17821018		OPEN AND SHUT GEAR				*		1	
67		SD0800291TP		HINGE SCREW				*		1	
68		WP0450801SD		WASHER 4.5X10X0.8				*		1	
69		WS0451040KP		SPRING WASHER 4.5X8.5X1				*		1	
70		NS6110420SP		NUT 11/64-40				*		1	
71	D	17821802		BUTTON CHUCK STOPPER				*		1	
72		SS6080610TP		SCREW 1/8-44 L=6				*		1	

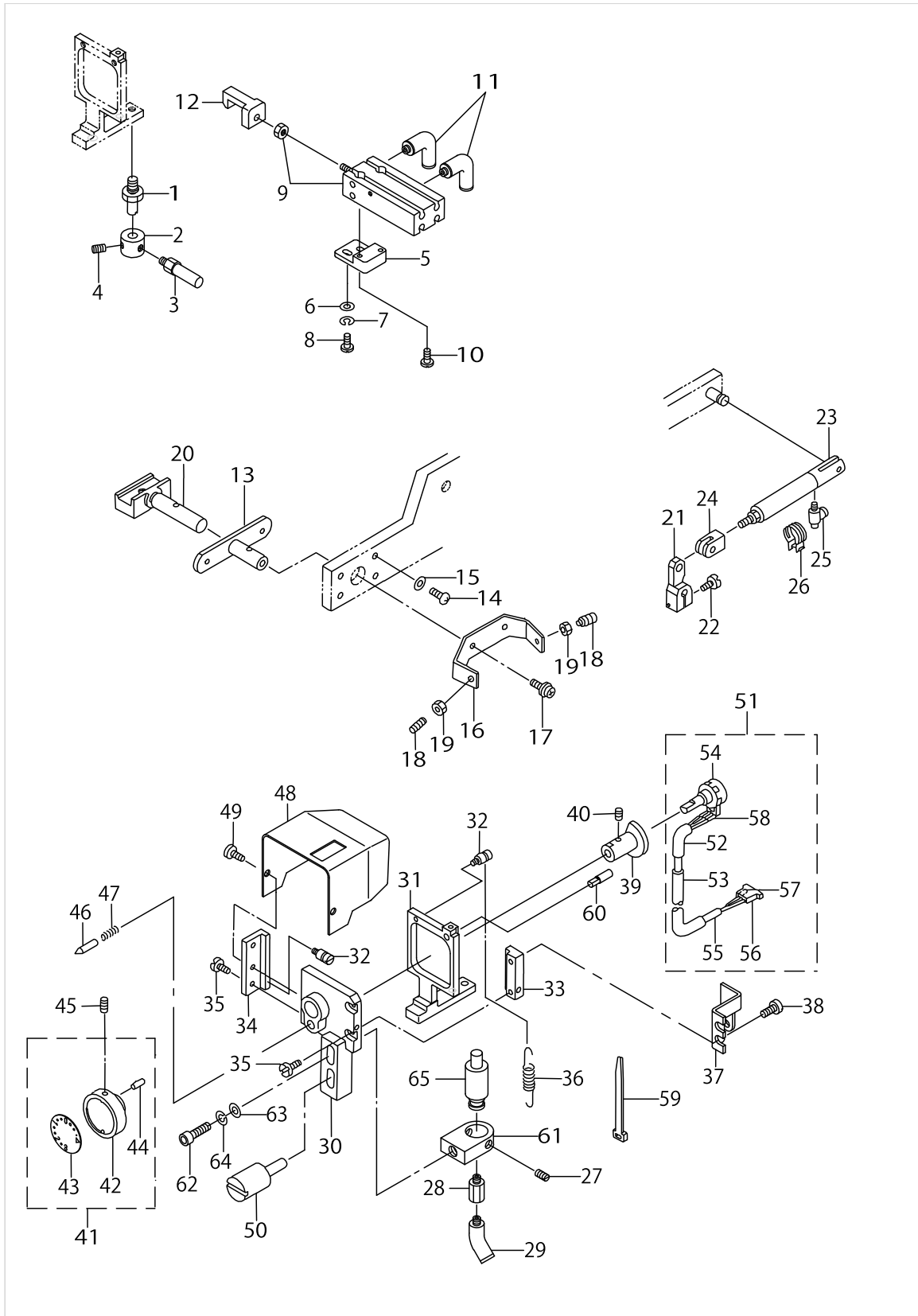
CHUCK TURN OVER COMPONENTS



CHUCK TURN OVER COMPONENTS

No.	Supply Code	Parts No.	Replacement	Parts name	Remarks	Choice	Step	Level	Cons	Qty	Rep. QTY
1	D	17970807		LOCK SCREW						1	
2		17970906		LOCK COLLAR						1	
3		17971003		LOCK LEVER						1	
4		SS8110422TP		SCREW 11/64-40 L=4						1	
5		25012303		CHUCK CYLINDER BASE						1	
6		WP0371016SD		WASHER 3.7X8X1						2	
7		WS0410002KP		SPRING WASHER						2	
8		SS7090850SP		SCREW 9/64-40 L=8						2	
9		PA0601505A0		CYLINDER						1	
10		SL4031681SC		SCREW M3 X 16						2	
11		PJ304040504		ELBOW UNION						2	
12	D	25012402		CHUCK MOVING LEVER						1	
13	D	17830209		BRACKET						1	
14		SM4041401SC		SCREW M4X0.7 L=14						2	
15		WP0430800SC		WASHER M4						2	
16	D	17830100		STOPPER BASE						1	
17		SL4051241SE		SCREW						2	
18		SS8151720SP		SCREW						2	
19		NS6150310SP		NUT 15/64-28						2	
20		25008608		TURN OVER SHAFT						1	
21		17830415		TURN LINK						1	
22		SS9151740CP		SCREW15/64-28L=17						1	
23		PA1603101A0		AIR CYLINDER						1	
24		PX500020000		KNUCKLE JOINT						1	
25		PC010507000		SPEED CONTROLLER						3	
26		PX5000480A0		SWITCH FITTING METAL						2	
27		SS8080310TP		SCREW 1/8-44 L=2.8						2	
28		PJ010505001		JOINT						1	
29		PJ309040501		ELBOW UNION						1	
30	D	25007501		ADJUSTING BASE						1	
31		25007626		ADJUSTING SLIDE						1	
32	D	17818600		SUSPENSION SCREW						2	
33		25007709		ADJUSTING GUIDE, RIGHT						1	
34		25007808		ADJUSTING GUIDE, LEFT						1	
35		SS6080720SP		SCREW						4	
36	D	GBR01227000		TENSION SPRING						1	
37	D	25007907		CABLE SUPPORT						1	
38		SS6080720SP		SCREW						2	
39	D	25008004		CAM						1	
40		SS8080410TP		SCREW 1/8-44 L=3.5						1	
41		25008152		KNOB ASM.						1	
42	R	25008103	25008152	KNOB				*		1	1.00
43	R	25008202	25008152	PIAL PLATE				*		1	1.00
44		PS0200122K0		SPRING PIN 2.0X12				*		1	
45		SS8090710SP		SCREW 9/64-40L=7.0						2	
46		17825514		RATCHET						1	

CHUCK TURN OVER COMPONENTS



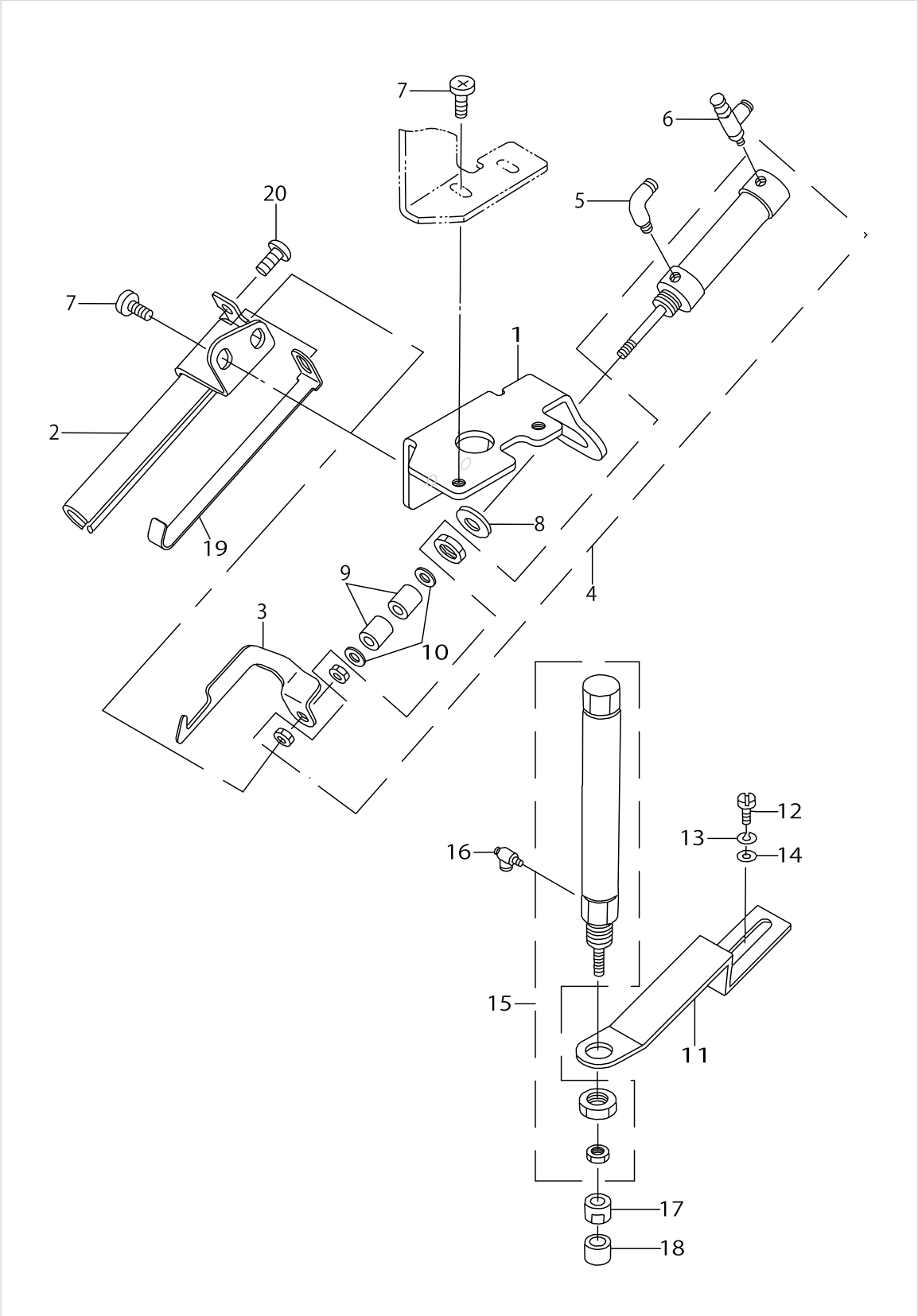
CHUCK TURN OVER COMPONENTS

No.	Supply Code	Parts No.	Replacement	Parts name	Remarks	Choice	Step	Level	Cons	Qty	Rep. QTY
47		B152652700G		SPRING						1	
48		25008319		COVER						1	
49		SM0030601SC		SCREW M3X0.5 L=6						2	
50		17964909		ADJUSTING BASE SCREW						1	
51	D	17842352		ENCODER ASM.						1	
52		E8760452H00		TUBE				*		0.1	
53		HX00088000A		TUBE A (10)				*		0.3	
54	D	HA002890000		SWITCH				*		1	
55	R	HW000660050	D5016D10NAH	CORD 5 CORE				*		2.5	1.00
56		HK024910050		5P HOUSING				*		1	
57	R	HK032040000	HK016540000	PIN TERMINAL				*		5	1.00
58		E8760452B00		TUBE				*		0.1	
59		EA9500B0100		CABLE BAND						1	
60	D	25008426		STUD						1	
61		25008509		CYLINDER BASE						1	
62		SM6041402TN		SCREW M4X0.7 L=14						1	
63		WP0430800SC		WASHER M4						1	
64		WS0410002KN		SPRING WASHER						1	
65		PA100152300		CYLINDER						1	

TANG COMPONENTS

No.	Supply Code	Parts No.	Replacement	Parts name	Remarks	Choice	Step	Level	Cons	Qty	Rep. QTY
1	D	25006602		TANG (4-HOLED BUTTON)						1	
2		SS6110610TP		SCREW 11/64-40 L=6						2	
3		17823550		TANG INSTALLING PLATE ASM.						1	
4		17823709		TANG KNOB						1	
5		17822800		TANG ARM						1	
6		SS6121212TP		SCREW 3/16-28 L=12.0						2	
7		CS1000811SP		THRUST COLLAR						4	
8		SS8110520TP		SCREW 11/64-40 L= 4.5						8	
9		17824103		SHAFT						1	
10		HX00150000A		CABLE CLAMP						1	
11		SS7120640SP		SCREW 3/16-28 L=6						1	
12		17822909		TANG TURH ARM						1	
13	D	17823006		BOSS						1	
14		SM6040602TP		SCREW M4 L=6						2	
15		17823105		PLATE						1	
16		SM6051202TP		SCREW M5X0.8 L=12						1	
17	D	17824202		PIN						1	
18	D	17824004		SPRING						1	
19		17824400		KNOB						1	
20		NM6060001SC		NUT M6						1	
21		PS0200082KH		SPRING PIN						1	
22		PA1503007A0		WORKPIECE PRESSER CYLINDER						1	
23		17824608		LIHK BALL						1	
24		NM6050001SC		NUT M5						1	
25		PC010507000		SPEED CONTROLLER						2	
26		PX500043000		BAND						1	
27	D	17966359		TANG(2-HOLED BUTTON)ASM.						1	
28	D	17966300		TANG				*		1	
29		17823550		TANG INSTALLING PLATE ASM.				*		1	
30		SS6110610TP		SCREW 11/64-40 L=6				*		2	
31	D	25006750		TANG ASM. (FOR LIGHT FABLIC)						1	
32		25006701		TANG (FOR LIGHT FABLIC)				*		1	
33		25006800		THREAD PRESSER				*		1	
34		25006909		THREAD PRESSER COVER				*		1	
35		25007006		CYLINDER BRACKET				*		1	
36	D	25007105		CYLINDER COVER				*		1	
37		SS6080320SP		SCREW 1/8-44 L= 2.5				*		8	
38		PA0401001A0		CYLINDER				*		1	
39		BT0400251EB		URETHANE HOSE, BLACK				*		0.3	
40		18036004		WIRE MARK				*		2	
41		17823550		TANG INSTALLING PLATE ASM.				*		1	
42		SS6110610TP		SCREW 11/64-40 L=6				*		2	
43		PJ304040001		ELBOW						1	
44		EA9500B0100		CABLE BAND						2	

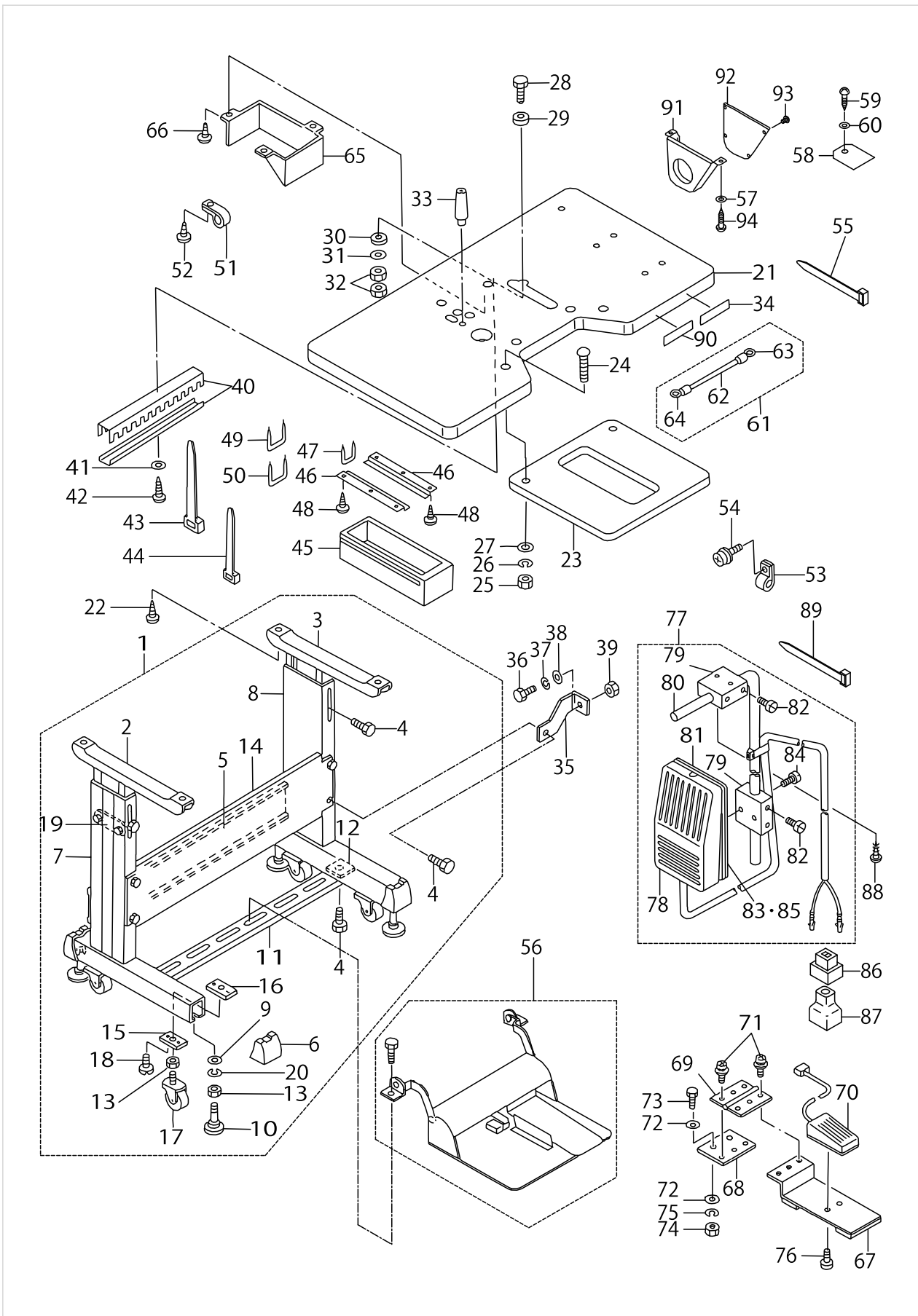
WIPER & PRESSER COMPONENTS



WIPER & PRESSER COMPONENTS

No.	Supply Code	Parts No.	Replacement	Parts name	Remarks	Choice	Step	Level	Cons	Qty	Rep. QTY
1	D	25003302		WIPER INSTALLING PLATE						1	
2		17826603		SUPPORT PIPE						1	
3	D	25003401		WIPER						1	
4		PA1008003A0		CYLINDER						1	
5		PJ304040504		ELBOW UNION						1	
6		PC010507000		SPEED CONTROLLER						1	
7		SL4040891SC		SCREW M4 L=8						4	
8		WP0841600SE		WASHER 8,4X15,5X1,6						1	
9		17967308		CYLINDER STOPPER						2	
10		WP0430800SC		WASHER M4						2	
11		17967209		CYLINDER BRACKET						1	
12		SM6051602TR		SCREW M5 L=16						2	
13		WS0510002KN		SPRING WASHER						2	
14		WP0560860SE		WASHER 5.6X12X0.8						2	
15		PA1005501A0		CYLINDER						1	
16		PC010507000		SPEED CONTROLLER						2	
17	D	17817206		SHAFT						1	
18		11503505		RUBBER CUSHION						1	
19	D	17826504		SPRING						1	
20		SS4110615SP		SCREW 11/64-40 L=6						1	

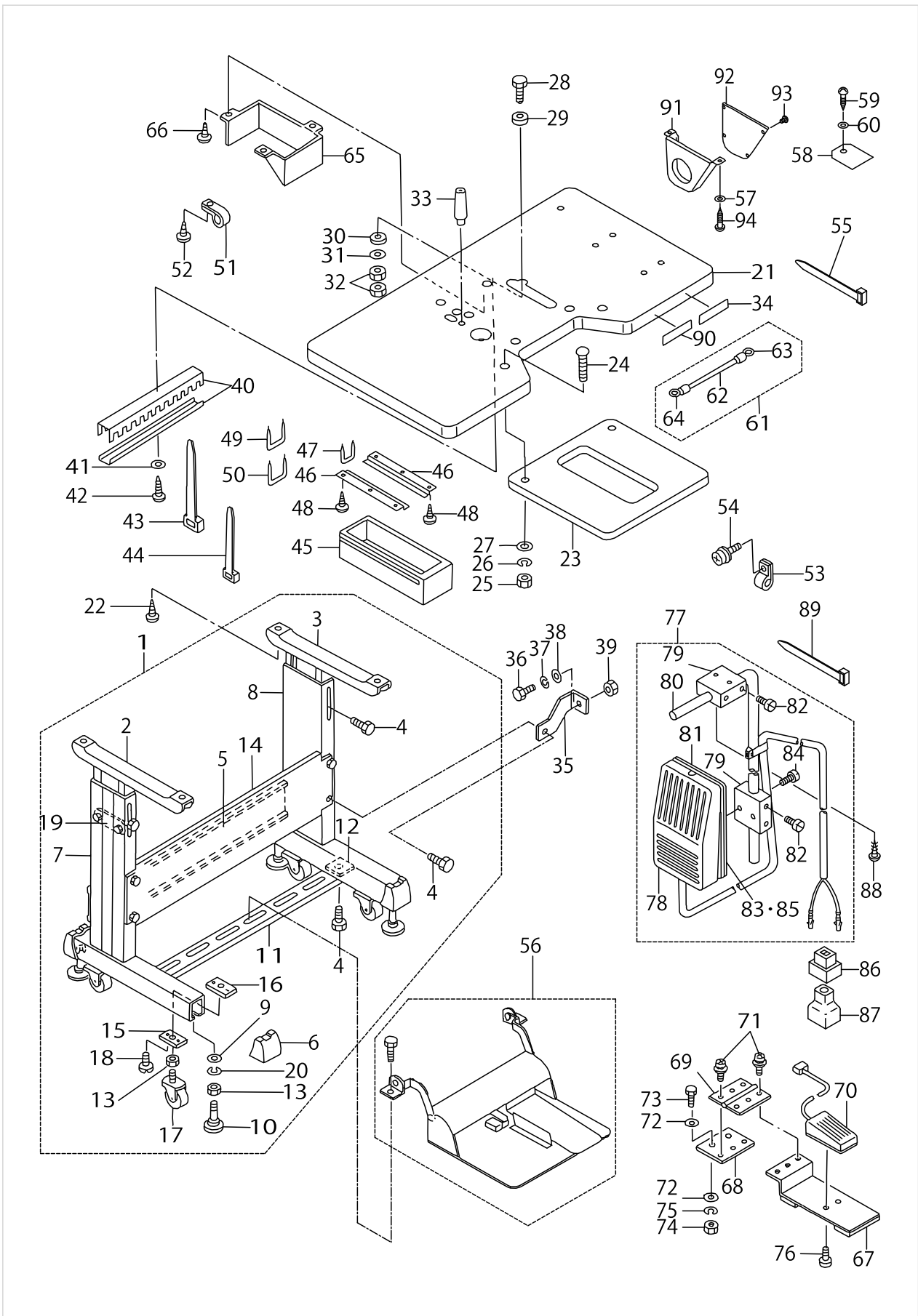
STAND & TABLE COMPONENTS



STAND & TABLE COMPONENTS

No.	Supply Code	Parts No.	Replacement	Parts name	Remarks	Choice	Step	Level	Cons	Qty	Rep. QTY
1	D	17832858		T-STAND UNIT						1	
2		11157757		STAND UPPER, LEFT				*		1	
3		11157658		STANDUPPER,RIGHT				*		1	
4		SL9082093SE		SCREW				*		16	
5	D	11158300		STAND SIDE SUPPORT				*		1	
6		11158607		RUBBER CAP				*		4	
7		17833054		STAND ASM., LEFT				*		1	
8		17832957		STAND ASM., RIGHT				*		1	
9		WP1302501SE		WASHER M12				*		8	
10		17833658		ADJUSTING BOLT ASM.				*		4	
11		11158409		STAND SIDE SUPPORT				*		1	
12		17007402		NUT				*		2	
13		NM6120003SE		NUT M12				*		4	
14		17833104		STAND SIDE				*		1	
15		17833302		CASTER PLATE A				*		4	
16		17833401		CASTER PLATE B				*		4	
17		17833500		CASTER				*		4	
18		SM6061202TP		SCREW M6 L=12				*		8	
19		11158508		PLATE				*		2	
20	D	WS1220002KR		SPRINGWASHER,M12				*		4	
21		25343005		TABLE						1	
22	R	SK3513200SC	SK3513201SE	WOOD SCREW D=5.1 L=32						4	1.00
23		17971805		AUXILIARY TABLE						1	
24		MTJMS000030		SCREW						2	
25		NS6200710SN		NUT 5/16-18						2	
26		WS0820002KN		SPRING WASHER M8						2	
27		WP0851846SC		WASHER 8.5X22.0X1.8						2	
28	D	17835000		SCREW						4	
29	D	17835109		CUSHION A						4	
30		17835307		CUSHION B						4	
31		WP0612056SD		WASHER 6.1X18.5X2						4	
32		NM6060001SC		NUT M6						8	
33		11280856		FRAME SUPPORT BAR ASM.						1	
34		25343104		NAME PLATE						1	
35	D	17833203		BOXSUPPORTPLATE						1	
36	D	SM9061403SC		SCREW M6 L=14						2	
37		WS0610002KN		SPRING WASHER 6.1X12.2X1.5						2	
38		WP0641600SC		WASHEW6.4X12.5X1.6						2	
39		NM6060001SC		NUT M6						2	
40		HX000130000		CONDUIT						.5	
41		WP0560860SE		WASHER 5.6X12X0.8						2	
42		SK3452500SC		WOOD SCREW D=4.5 L=25						2	
43		HX00065000B		CABLE BAND						2	
44		EA9500B0200		CABLE BAND 150						1	
45	R	11155108	11155157	DRAWER						1	1.00
46		11155207		DRAWER SUPPORT						2	

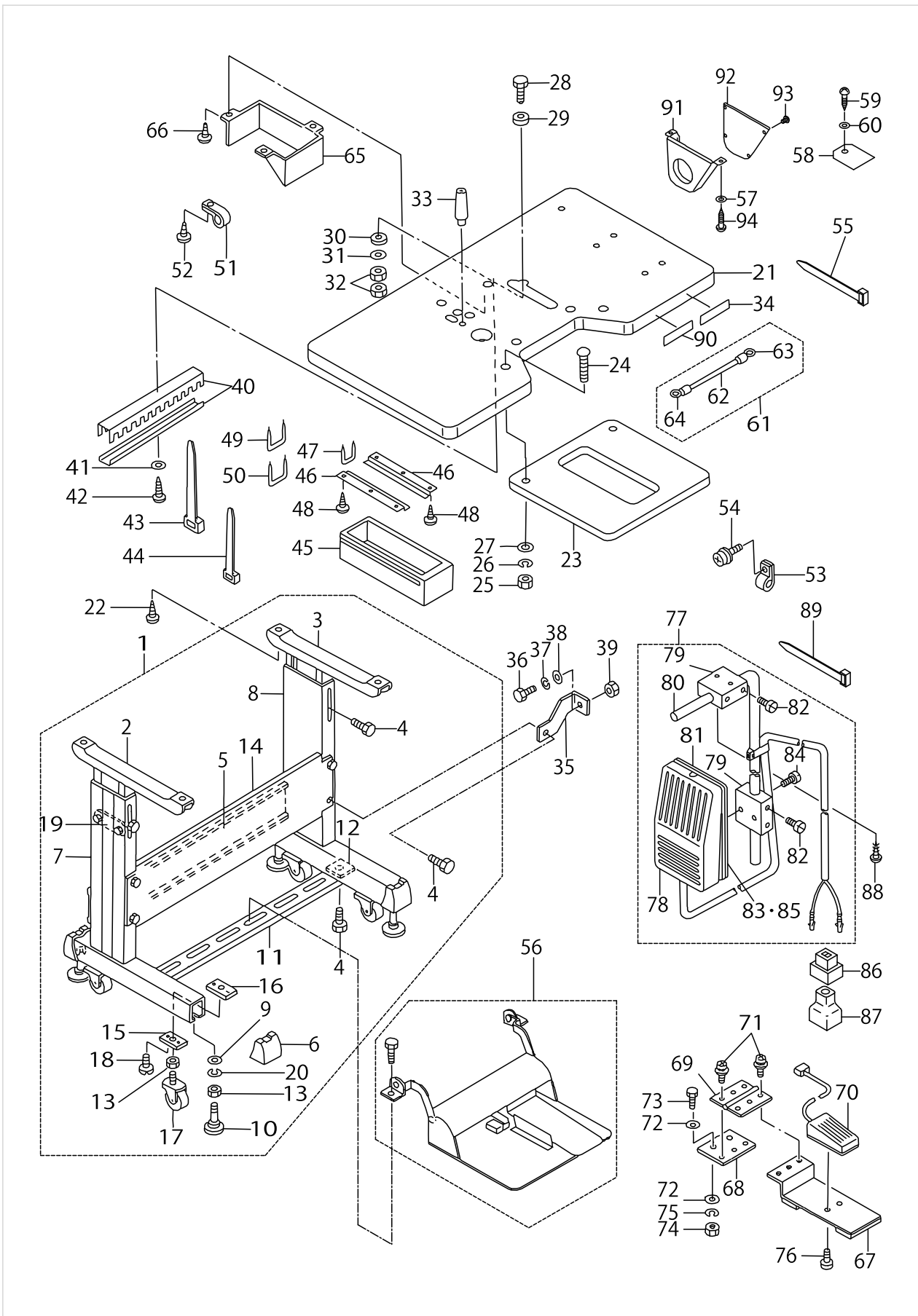
STAND & TABLE COMPONENTS



STAND & TABLE COMPONENTS

No.	Supply Code	Parts No.	Replacement	Parts name	Remarks	Choice	Step	Level	Cons	Qty	Rep. QTY
47		D8204555D00		DRAWER STOPPER						1	
48	R	SK3311600SC	SK3311601SE	WOOD SCREW D=3.1 L=16						6	1.00
49		D8204555D00		DRAWER STOPPER						3	
50		MAO11532000		CORD STAPLE						6	
51		HX00150000R		CABLE CLAMP						1	
52		SK3452500SC		WOOD SCREW D=4.5 L=25						1	
53		HX00150000A		CABLE CLAMP						1	
54		SL4040891SC		SCREW M4 L=8						1	
55		EA9500B0100		CABLE BAND						1	
56	D	GPK620010B0		2-JOINT PEDAL ASM.						1	
57		WP0561616SC		WASHER 5.6X16X1.6	FOR JE					2	
58		25014903		BELT COVER						1	
59	R	SK3311600SC	SK3311601SE	WOOD SCREW D=3.1 L=16						1	1.00
60		WP0430801SC		WASHER 4.3X9X0.8						1	
61		25018953		GROUND WIRE ASM.						1	
62	D	E9561351000		GROUNDING CORD, GREEN YELLOW				*		0.8	
63		EA9564B0100		CRIMP STYLE TERMINAL				*		1	
64		EA9564B0300		SOLDERLESS TERMINAL				*		1	
65	D	17836404		BELT COVER	FOR EXPORT					1	
66		SK3452500SC		WOOD SCREW D=4.5 L=25	FOR EXPORT					3	
67	D	17833955		SWITCH PLATE ASM.	SELECTIV PART					1	
68	D	17833807		STAND INSTALLING PLATE	SELECTIV PART					1	
69		16258402		HINGE	SELECTIV PART					1	
70	D	16115354		SPEED CONTROL SWITCH ASM.	SELECTIV PART					1	
71		SL4040891SC		SCREW M4 L=8	SELECTIV PART					6	
72		WP0871602SE		WASHER 8.7X18X1.6	SELECTIV PART					4	
73		SM9082023SE		SCREW M8 L=20	SELECTIV PART					2	
74		NM6080721SE		NUT M8	SELECTIV PART					2	
75		WS0861410KR		SPRING WASHER 8.6X15X1.4	SELECTIV PART					2	
76		SS4110615SP		SCREW 11/64-40 L=6	SELECTIV PART					2	
77		GAK320010B0		LIFTER KNEE SWITCH ASM. B	SELECTIV PART					1	
78		GAK320010A0		LIFTER KNEE SWITCH ASM. A				*		1	
79		MAT80230T00		KNEE SWITCH SUPPORT BASE				*		2	
80		MAT80231T00		DRIVING BAR, T002				*		1	
81	D	MAT80232T00		KNEE SWITCH SUPPORT PLATE				*		1	
82		SS6151220SP		SCREW 15/64-28 L=11.5				*		4	
83		SS7110710SL		SCREW 11/64-40 L=7.0				*		4	
84	R	SS7111410SP	SS7111410TP	SCREW 11/64-40 L=14				*		2	1.00
85		WP0480856SP		WASHER 4.8X8.4X0.8				*		4	
86		MAI15040000		2-POLE PLUG	SELECTIV PART					1	
87		MAT81126T00		2-POLE PLUG COVER	SELECTIV PART					1	
88	R	SK3514000SC	SK3514001SE	WOOD SCREW D=5.1 L=40	SELECTIV PART					2	1.00
89		EA9500B0100		CABLE BAND	SELECTIV PART					2	
90		CM500100001		CE MARKING LABEL	FOR JE					1	
91		B821021000B		MOTOR PULLEY COVER (A)	FOR JE					1	
92		B821121000B		MOTOR PULLEY COVER (B)	FOR JE					1	

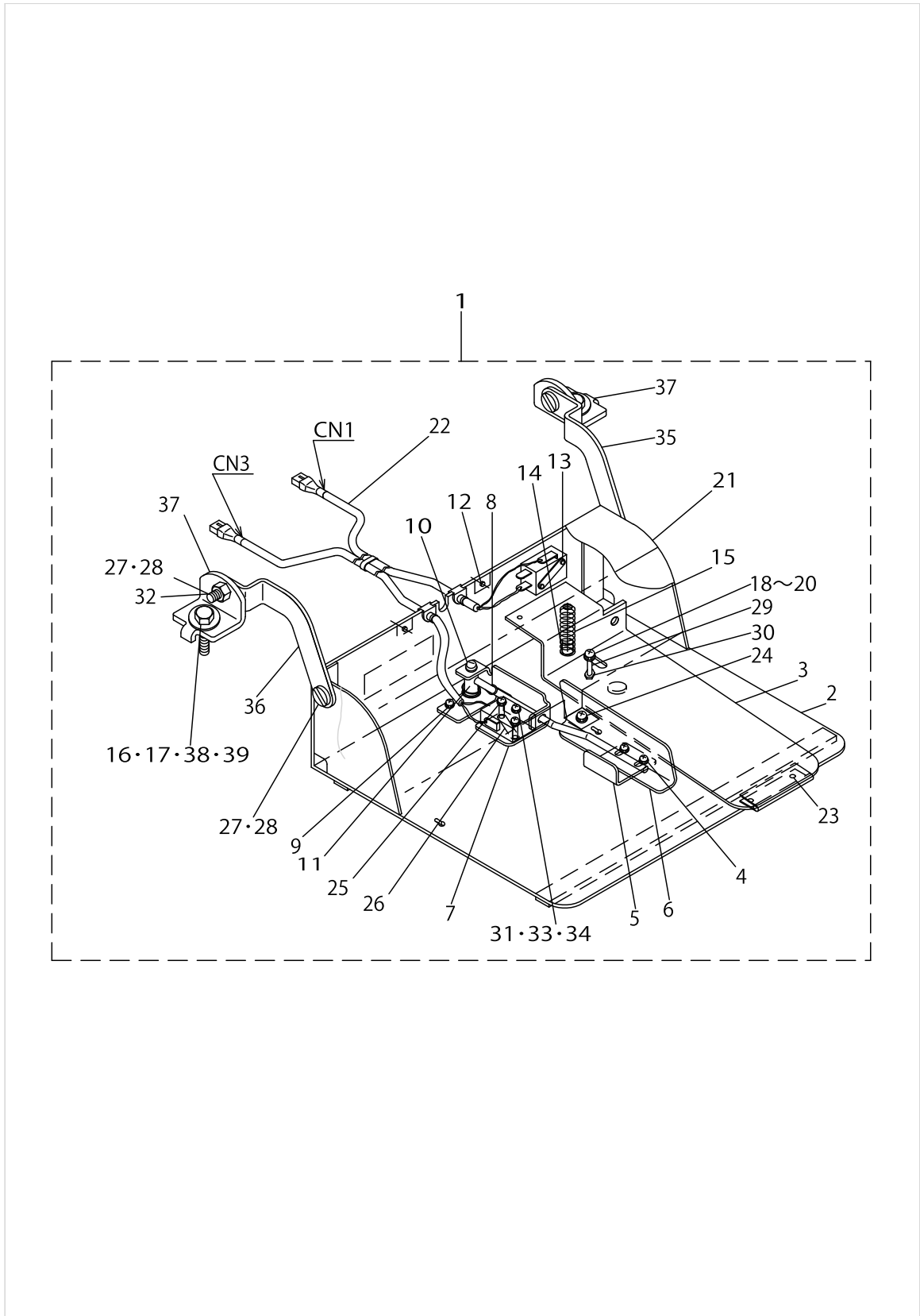
STAND & TABLE COMPONENTS



STAND & TABLE COMPONENTS

No.	Supply Code	Parts No.	Replacement	Parts name	Remarks	Choice	Step	Level	Cons	Qty	Rep. QTY
93		SL4040691SC		SCREW M4 L=6	FOR JE					6	
94	R	SK3552500SC	SK3552501SE	WOOD SCREW D=5.5 L=25	FOR JE					2	1.00

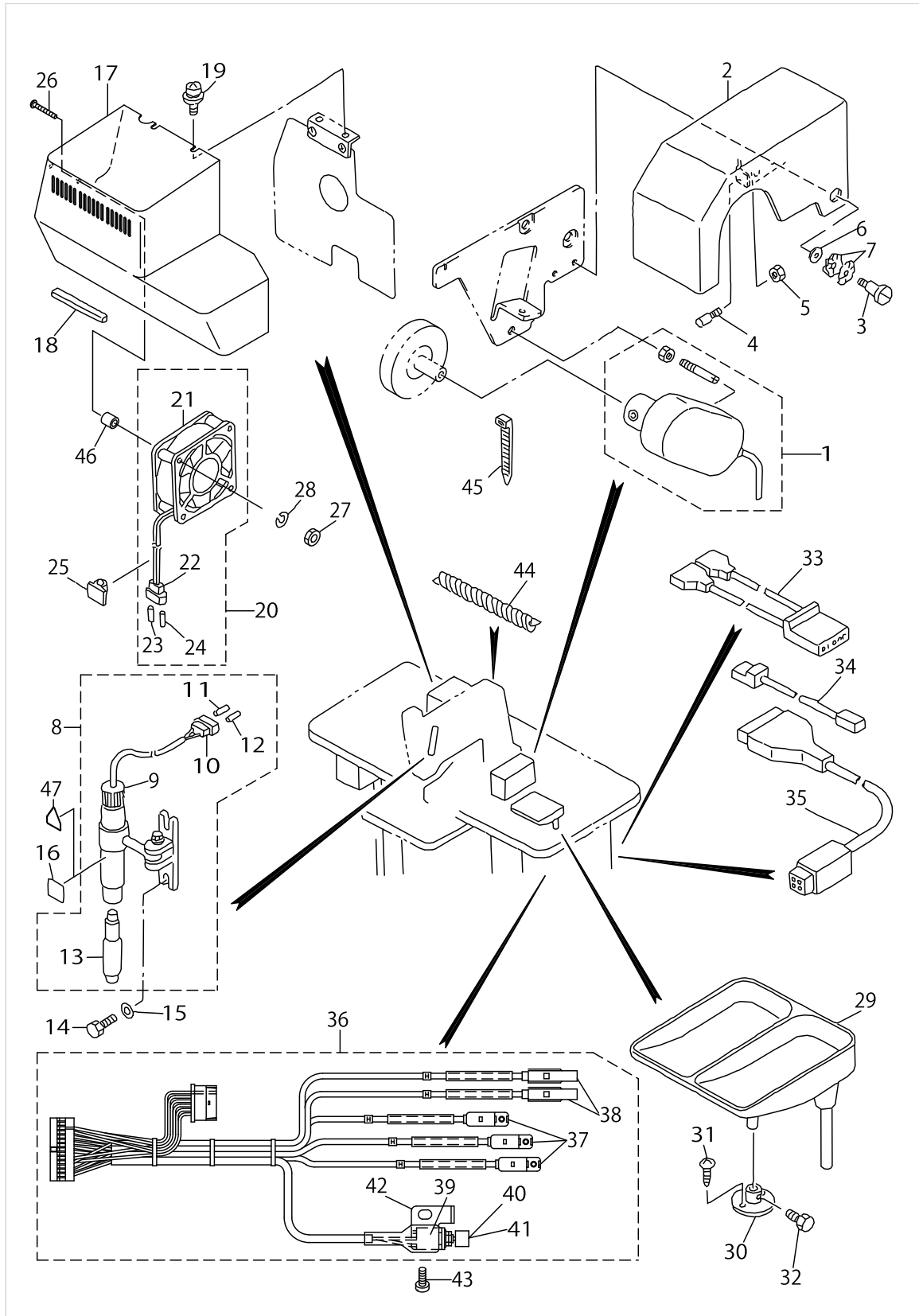
2-JOINT PEDAL COMPONENTS



2-JOINT PEDAL COMPONENTS

No.	Supply Code	Parts No.	Replacement	Parts name	Remarks	Choice	Step	Level	Cons	Qty	Rep. QTY
1	D	GPK620010B0		2-JOINT PEDAL ASM.						1	
2		GPK620010A0		PEDAL BASE ASM.				*		1	
3		GPK260030AA		PEDAL				*		1	
4		SL4040891SC		SCREW M4 L=8				*		2	
5		GPK2600800A		THREAD CUTTER S-WITCH STOPPER,W				*		1	
6		GPK2600700A		THREAD CUTTER S-WITCH LEVER, W				*		1	
7		GPK26009000		SWITCH BASE				*		1	
8		GPK26011000		SWITCH SPRING				*		1	
9		SL4040891SC		SCREW M4 L=8				*		1	
10		SS4111215SP		SCREW11/64-40L=12				*		1	
11		GPK26010000		SWITCH SHAFT				*		1	
12		SL4040691SC		SCREW M4 L=6				*		3	
13		SL4031691SC		SCREW M3 L=16				*		2	
14	R	11102308	22954408	MICRO SWITCH PLATE				*		1	1.00
15		GPK14013000		PEDAL SPRING				*		1	
16		WS0861410KR		SPRING WASHER 8.6X15X1.4				*		2	
17		NM6080721SE		NUT M8				*		2	
18		SL4042591SC		SCREW M4 L=25				*		1	
19		GHP03537000		WASHER				*		1	
20		WP0430801SC		WASHER 4.3X9X0.8				*		1	
21		GPK62002000		SWITCH COVER				*		1	
22		GPK620030B0		SWITCH CABLE ASM.				*		1	
23		SL4030691SC		SCREW M3X6				*		2	
24		WP0430801SC		WASHER 4.3X9X0.8				*		1	
25		SL4031691SC		SCREW M3 L=16				*		2	
26	R	11102308	22954408	MICRO SWITCH PLATE				*		1	1.00
27		SM9081620SE		SCREW M8 L=16				*		4	
28		NM6080002SE		NUT M8				*		4	
29		GPK26026000		SWITCH PEDAL GUIDE COLLAR				*		1	
30		NM6040003SC		NUT M4				*		1	
31		SM4041201SC		SCREW M4 L=12				*		1	
32		GPK26022000		JOINT FITTING COLLAR				*		4	
33		NM6040003SC		NUT M4				*		1	
34		GPK26028000		SWITCH BASE COLLAR				*		1	
35		GPK1800600AA		PEDAL BASE JOINT, RIGHT				*		1	
36		GPK1800700AA		PEDAL BASE JOINT, LEFT				*		1	
37		11159001		PEDAL SHAFT BRACKET				*		2	
38		SM9082023SE		SCREW M8 L=20				*		2	
39		WP0871602SE		WASHER 8.7X18X1.6				*		4	

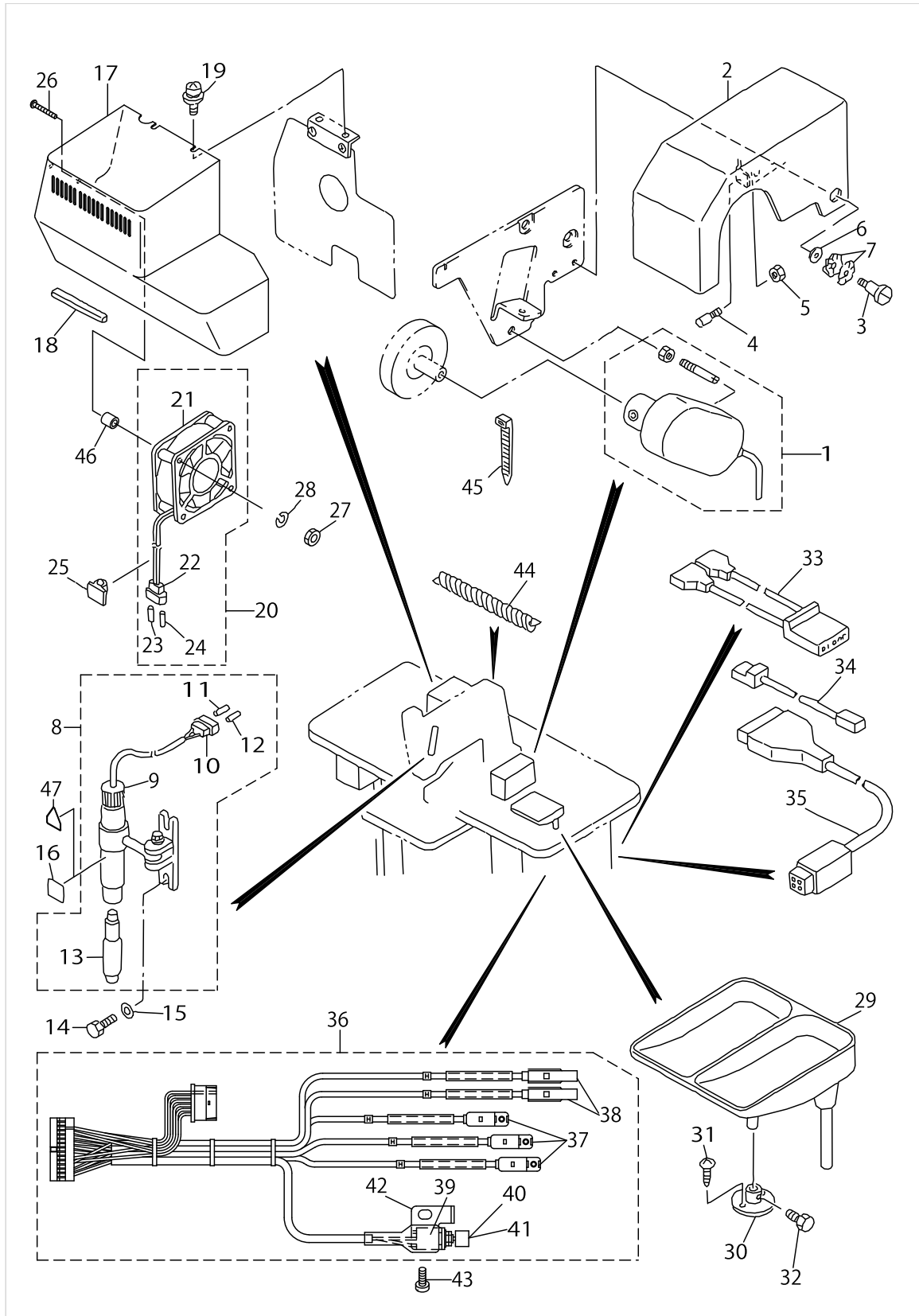
MISCELLANEOUS COVER & CORD COMPONENTS



MISCELLANEOUS COVER & CORD COMPONENTS

No.	Supply Code	Parts No.	Replacement	Parts name	Remarks	Choice	Step	Level	Cons	Qty	Rep. QTY
1		25019365		SYNCHRONIZERASM.						1	
2	D	17836206		HAND WHEEL COVER						1	
3		SD0791051SP		HINGE SCREW D= 7.94 H=10.5						1	
4	D	B1120372000		SCREW STUD						1	
5		NS6150430SP		NUT 15/64-28						1	
6		WP08416000E		WASHER 8.4X15.5X1.6						1	
7		WZ0850302K0		WAVED WASHER 8.5X12.5X0.3						2	
8		17841958		MARKING LIGHT ASM.						1	
9		HE000150000		LIGHT				*		1	
10		MAI15040000		2-POLE PLUG				*		1	
11		D6042555B00		PIN TERMINAL, FEMALE				*		1	
12		D6043555B00		PIN TERMINAL, MALE				*		1	
13		16450702		MARKING LAMP				*		1	
14	D	SM9061403SC		SCREW M6 L=14						2	
15		WP0611626SP		WASHER 15X6X1.6						2	
16	D	17836305		LABEL	FOR EXPORT					1	
17	D	25012600		X-Y COVER						1	
18		HX002230000		ADJUSTABLE BUSH						13	
19		SL4051091SC		SCREW M5X0.8 L=10						4	
20	D	17842055		MOTOR PAN ASM.						1	
21	D	HM000550000		FAN				*		1	
22		MAI15040000		2-POLE PLUG				*		1	
23		D6043555B00		PIN TERMINAL, MALE				*		1	
24		D6042555B00		PIN TERMINAL, FEMALE				*		1	
25		HX002350000		CABLE CLAMP						1	
26		SM4043601SN		SCREW M4X0.7 L=36						2	
27		NM6040001SC		NUT M4						2	
28		WS0410002KN		SPRING WASHER						2	
29		17848458		BUTTON TRAY ASM.						1	
30	R	17848508	40033635	BUTTON TRAY BASE						1	1.00
31	R	SK3412000SC	SK3412000SE	WOOD SCREW D=4.1 L=20						2	1.00
32		SS9151210TP		SCREW 15/64-28 L=11.8						1	
33	D	M85305110A0		PULSE MOTOR CORD ASM.						1	
34		17978453		MOTOR FAN CORD ASM.						1	
35	D	M85225110A0		CLUTCH BRAKE CORD ASM.						1	
36		25013251		CYLINDER SENSOR ASM.						1	
37		PX060003000		AUTO SWITCH				*		3	
38		PX060010000		AUTO-SWITCH				*		2	
39		HA002470000		PUSH SWITCH				*		1	
40		HA00247001A		SWITCH PARTS				*		1	
41		HA00247001B		SWITCH PARTS	FOR JE			*		1	
42		25013202		PLATE				*		1	
43	R	SS6111010SP	SS6111010TP	SCREW 11/64-40 L= 9.5						1	1.00
44		HX001890000		SPIRAL TUBE						.2	
45		EA9500B0100		CABLE BAND						3	
46		11528809		WASHER						2	

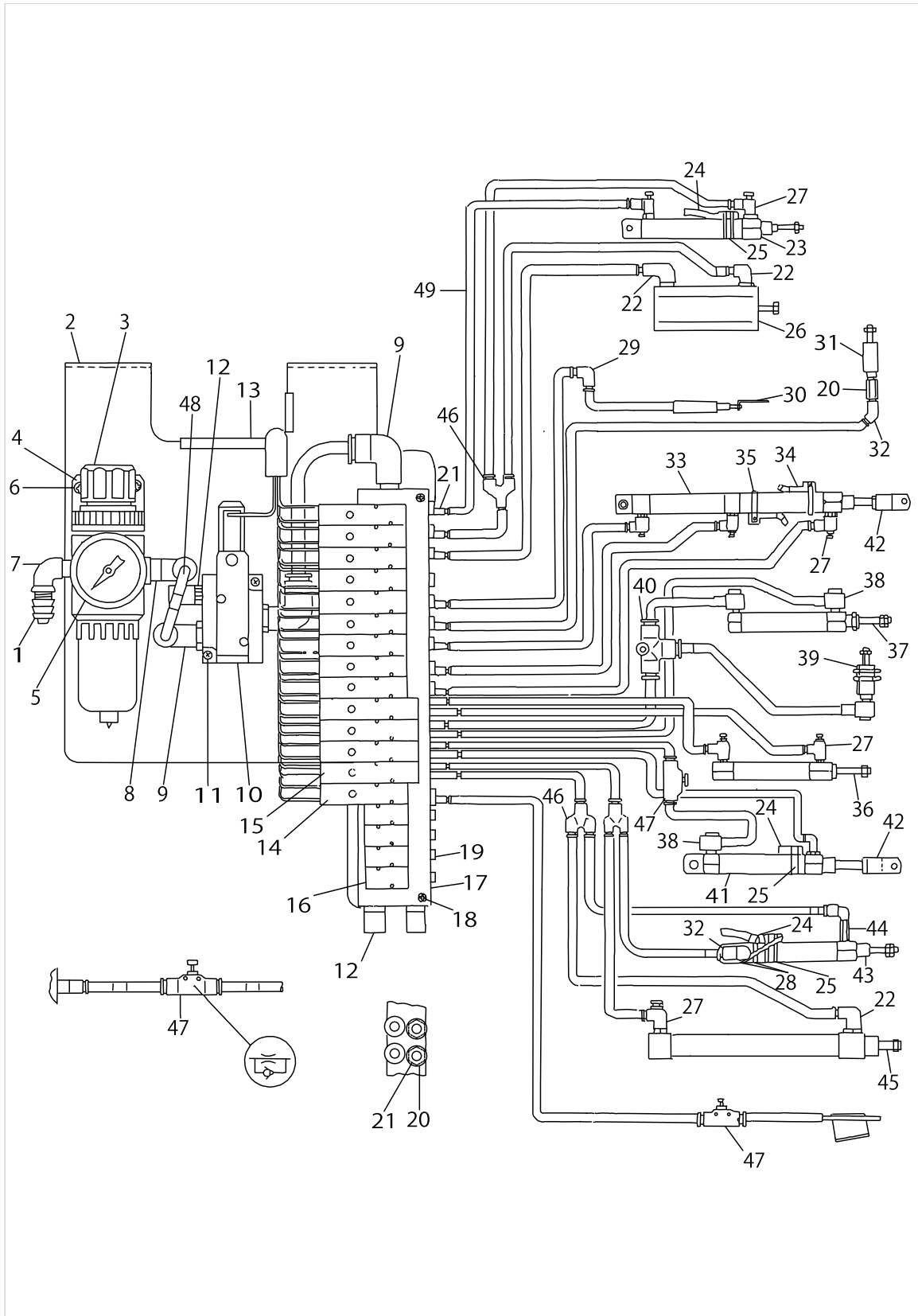
MISCELLANEOUS COVER & CORD COMPONENTS



MISCELLANEOUS COVER & CORD COMPONENTS

No.	Supply Code	Parts No.	Replacement	Parts name	Remarks	Choice	Step	Level	Cons	Qty	Rep. QTY
47	D	CM300500001		SEAL	FOR DOME- STIC USE					1	

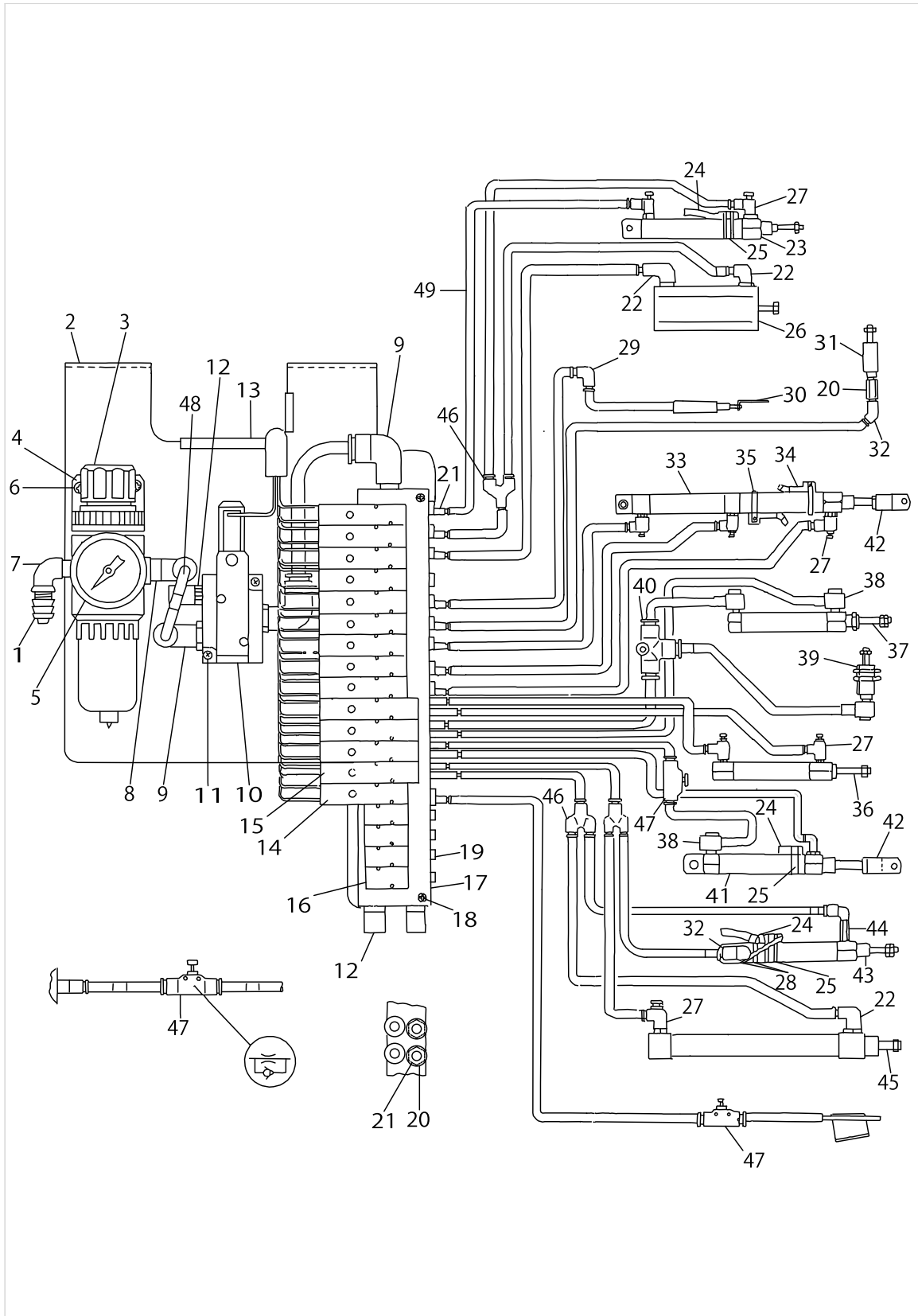
PNEUMATIC COMPONENTS



PNEUMATIC COMPONENTS

No.	Supply Code	Parts No.	Replacement	Parts name	Remarks	Choice	Step	Level	Cons	Qty	Rep. QTY
1		F1021003000		HOSE JOINT						1	
2		17839507		PANEL						1	
3	D	PF025204000		FILTER REGULTOR						1	
4		PF905003000		BRACKET						1	
5		PF065102000		PRESSURE GAUGE						1	
6		SL4040891SC		SCREW M4 L=8						2	
7		PJ042520002		ELBOW						1	
8		PJ304065201		ELBOW UNION 6XPT1/4						1	
9		PJ304065101		ELBOW UNION 6XPT1/8						3	
10		PV135113000		SOLENOID VALVE						1	
11		SL4043091SC		SCREW M4 L=30						2	
12		PX055103000		SILENCER						3	
13		HX00223000A		BUSHING						.1	
14	D	PV130517000		SOLENOID VALVE						10	
15		PV150517000		SOLENOID VALVE						4	
16	D	17972357		BLANKING PLATE						4	
17	D	PV030514000		MANIFOLD						1	
18		SL4043091SC		SCREW M4 L=30						2	
19		PJ020500002		PLUG						19	
20		PJ301040505		HALF UNION						17	
21		PJ010505001		JOINT						5	
22		PJ304040504		ELBOW UNION						3	
23		PA1503007A0		WORKPIECE PRESSER CYLINDER						1	
24		PX060003000		AUTO SWITCH						3	
25		PX500043000		BAND						3	
26		PA0601505A0		CYLINDER						1	
27		PC010507000		SPEED CONTROLLER						8	
28		EA9500B0200		CABLE BAND 150						2	
29		PJ304040001		ELBOW						1	
30		PA0401001A0		CYLINDER						1	
31		PA100152300		CYLINDER						1	
32		PJ309040501		ELBOW UNION						2	
33		PA1603101A0		AIR CYLINDER						1	
34		PX060010000		AUTO-SWITCH						2	
35		PX5000480A0		SWITCH FITTING METAL						2	
36		PA1005501A0		CYLINDER						1	
37		PA1003012A0		CYLINDER						1	
38		PJ042050002		ELBOW						4	
39		PA1000506A0		CYLINDER						1	
40		PJ305040001		TEE UNION						1	
41		PA1501009A0		CYLINDER						1	
42		PX500020000		KNUCKLE JOINT						2	
43		PA1504001A0		CYLINDER						1	
44		PJ304040507		LONG ELBOW UNION						1	
45		PA1008003A0		CYLINDER						1	
46		PJ308040002		QUICK COUPLING						3	

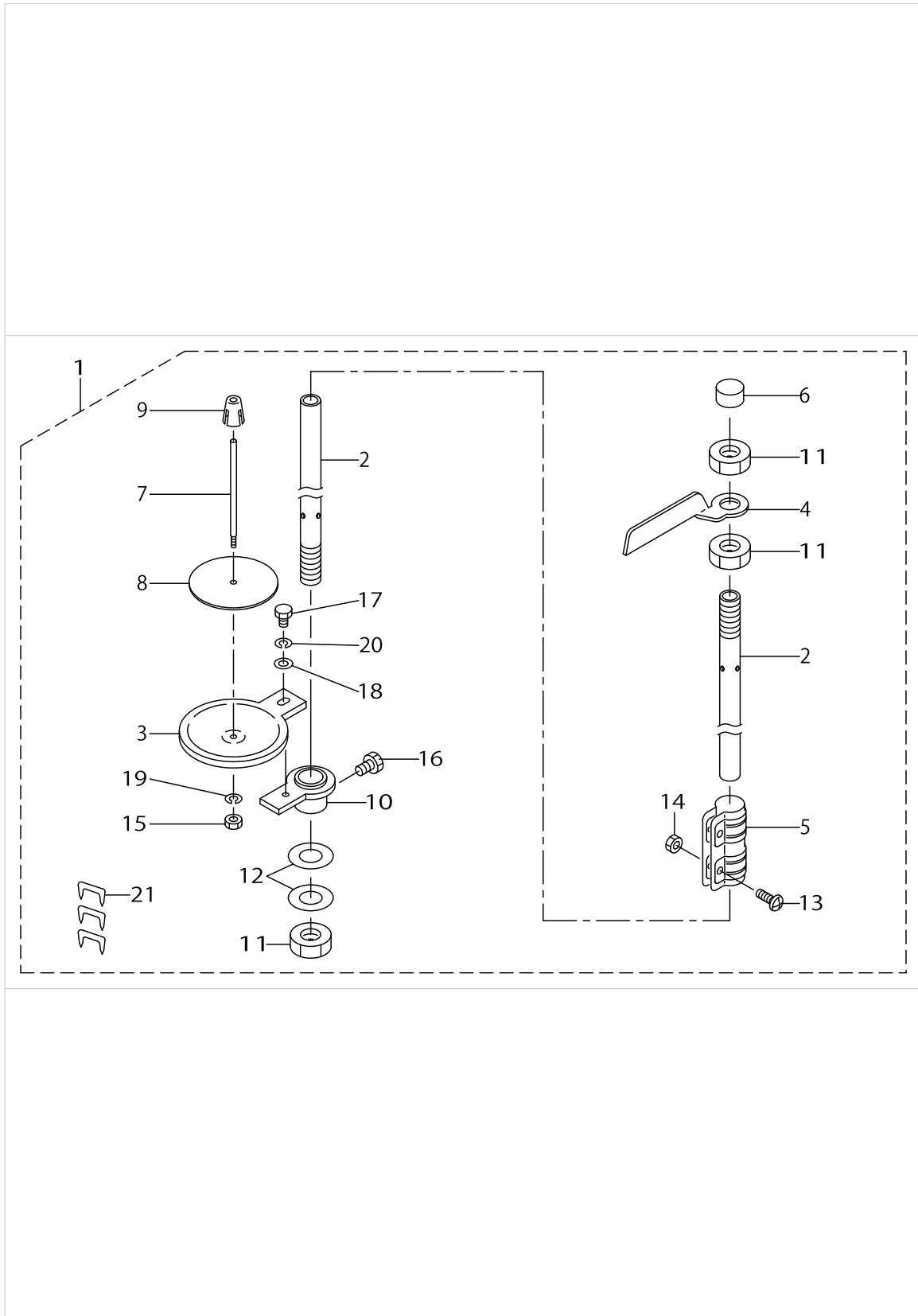
PNEUMATIC COMPONENTS



PNEUMATIC COMPONENTS

No.	Supply Code	Parts No.	Replacement	Parts name	Remarks	Choice	Step	Level	Cons	Qty	Rep. QTY
47		PC012401000		SPEED CONTROLLER						2	
48		BT0600401EB		TUBE						.2	
49		BT0400251EB		URETHANE HOSE, BLACK						25.9	

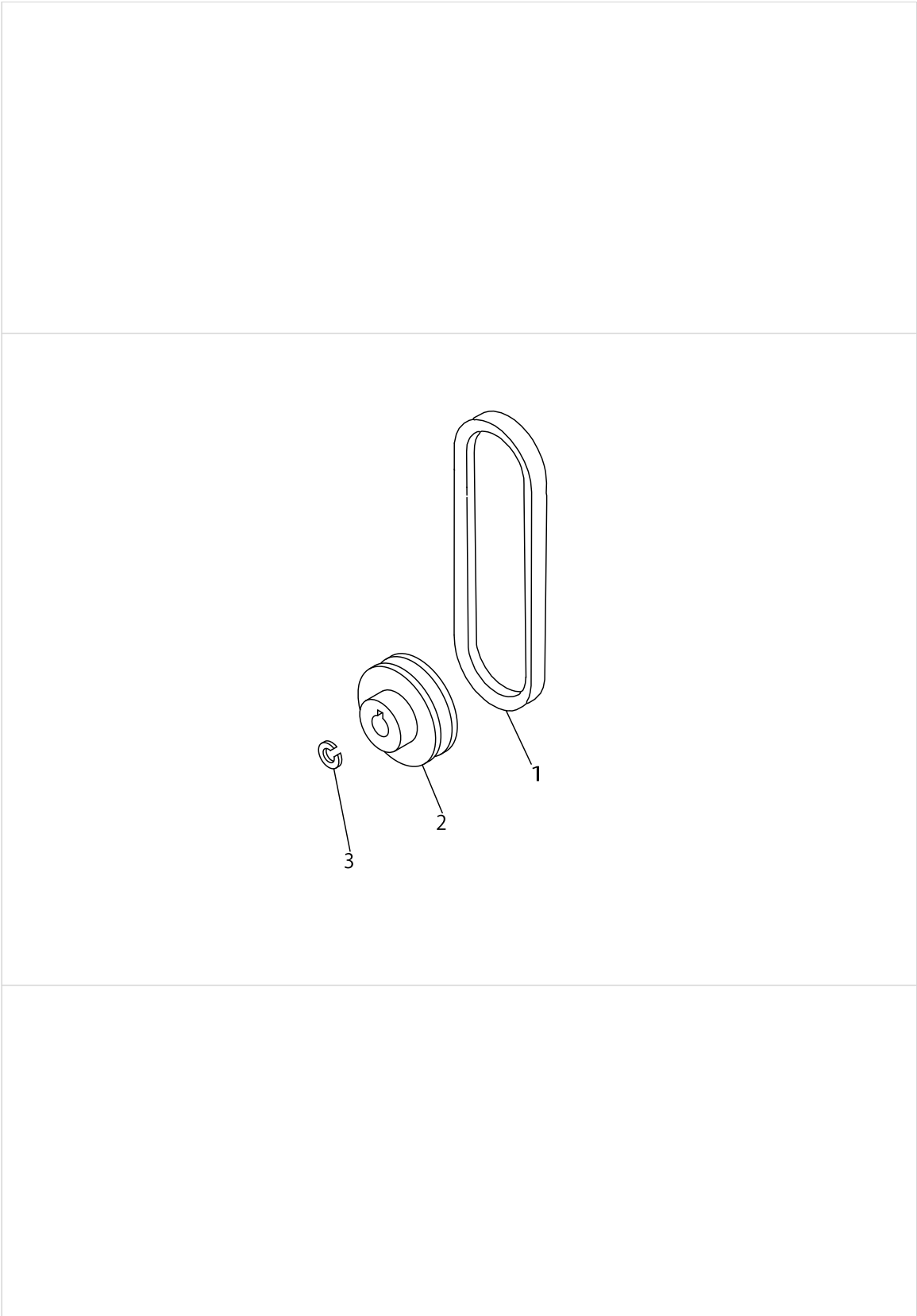
THREAD STAND COMPONENTS



THREAD STAND COMPONENTS

No.	Supply Code	Parts No.	Replacement	Parts name	Remarks	Choice	Step	Level	Cons	Qty	Rep. QTY
1	R	B33011800AA	26008359	THREAD STAND ASM.						1	1.00
2	R	11185105	40096354	SPOOL REST ROD,LOWER				*		2	1.00
3		B3303180000		SPOOL REST				*		1	
4		B3307704000		THREAD GUIDE A				*		1	
5	R	B3305704000A	40096354	SPOOL REST ROD JOINT				*		1	1.00
6	R	B3311704000	22931406	SPOOL REST ROD CAP				*		1	1.00
7	R	B3320704L00A	40085790	SPOOL PIN				*		1	1.00
8	D	B3311012000		SPOOL REST CUSHION				*		1	
9	D	11185501		SPOOL RETAINER				*		1	
10	D	D3302772T00		SPOOL REST BRACKET				*		1	
11	R	B3317704000	NM6160511SE	NUT				*		3	1.00
12		WP1612616SE		WASHER 16X30X2.6				*		2	
13		SM4051405SE		SCREW M5 L=14				*		2	
14		NM6050001SE		NUT M5				*		2	
15		NM6050001SE		NUT M5				*		1	
16		SM9061080SE		SCREW M6 L=10				*		1	
17		SM9050813SE		SCREW M5X0.8 L=8				*		1	
18		WP0520656SA		WASHER 5.2X9.5X0.6				*		1	
19		WS0510002KN		SPRING WASHER				*		1	
20		WS0521010KN		SPRING WASHER 5.2X8.2X1				*		1	
21		MAO11532000		CORD STAPLE				*		3	

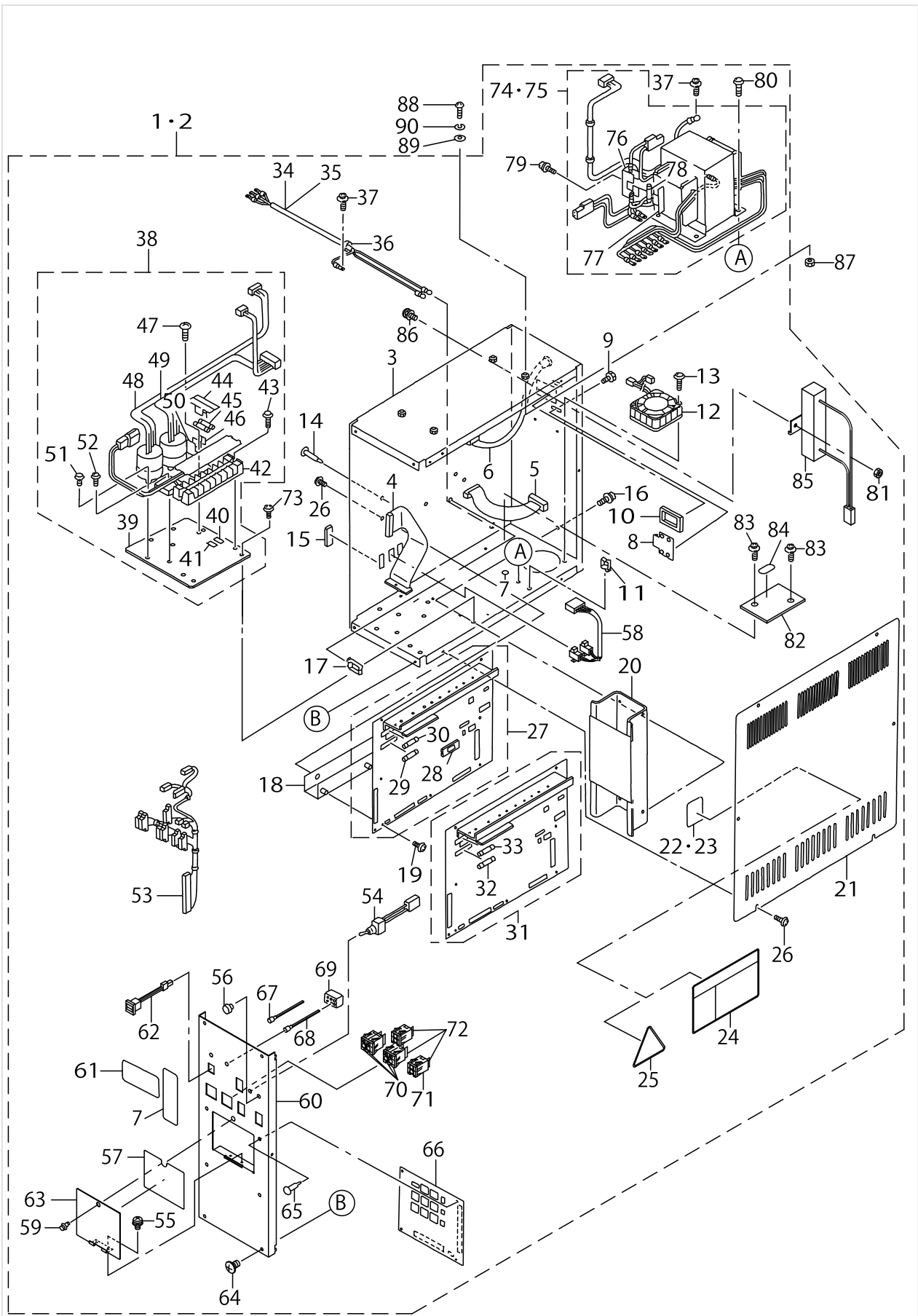
MOTOR PULLEY COMPONENTS



MOTOR PULLEY COMPONENTS

No.	Supply Code	Parts No.	Replacement	Parts name	Remarks	Choice	Step	Level	Cons	Qty	Rep. QTY
1		MTJVM003500		V-BELT, 35 INCH						1	
2		MTSP0055000A		MOTOR PULLEY						1	
3		WS1002560KR		SPRING WASHER 10X18X2.5						1	

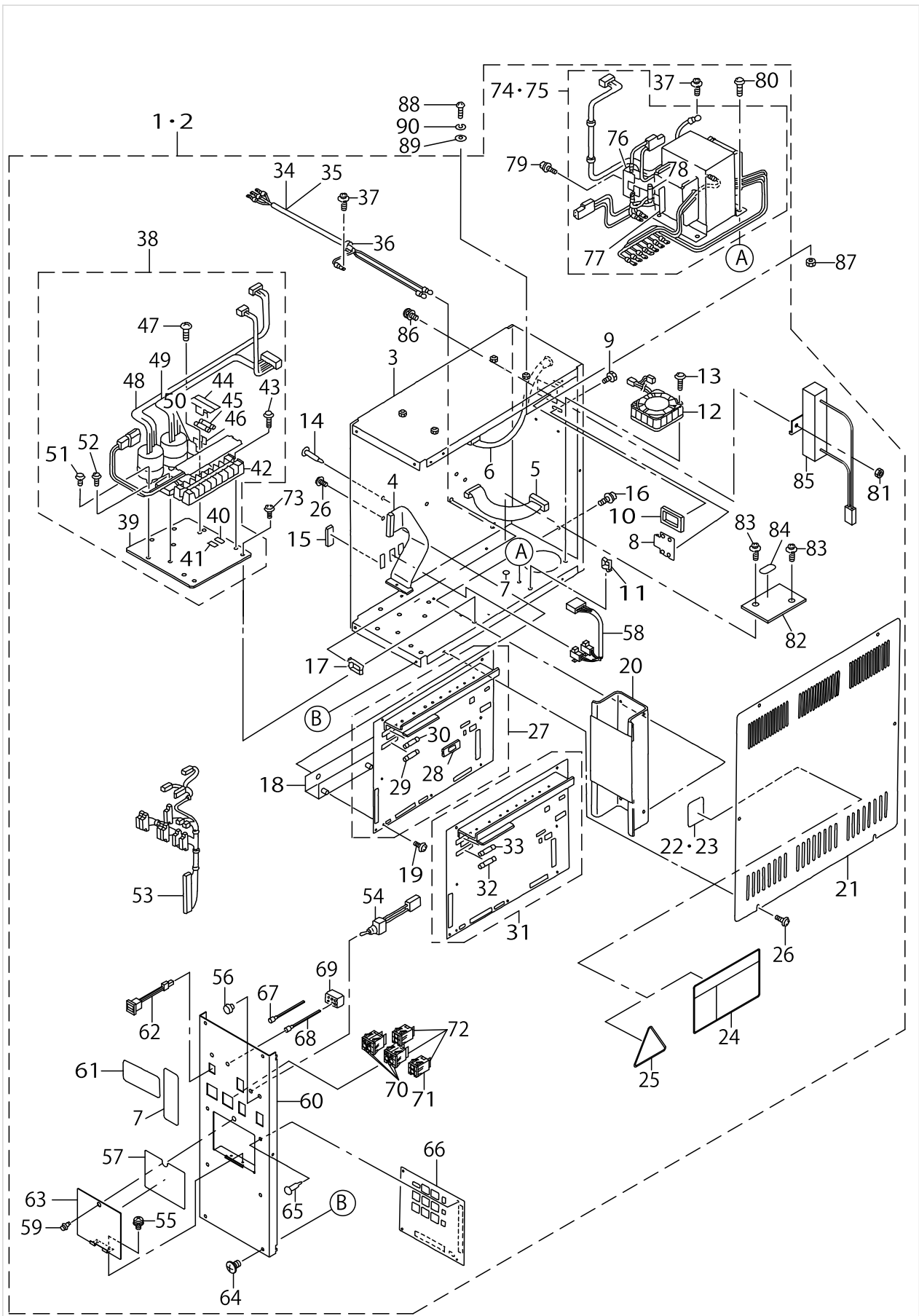
CONTROL BOX COMPONENTS



CONTROL BOX COMPONENTS

No.	Supply Code	Parts No.	Replacement	Parts name	Remarks	Choice	Step	Level	Cons	Qty	Rep. QTY
1		25343559		CONTROLBOXAASM.	FOR 100,1-10,120,200,220,240V					1	
2		25344458		CONTROLBOXBASM.	FOR 220,2-40,380,415,440V					1	
3		G1001192000		CONTROL BOX FRAME BODY				*		1	
4		17840455		PANEL SIGNALING CORD ASM.				*		1	
5	D	M85215110A0		PMDC CORD ASM.				*		1	
6	D	M85235110A0		SYNCHRONIZER CORD ASM.				*		1	
7		17841602		SEAL				*		1	
8		17845009		CORDFITTINGPLATE				*		1	
9		SM9040803SF		SCREW M4X8				*		2	
10		HX004070000		BUSH				*		1	
11	D	HX00222000A		CABLE CLAMP				*		3	
12		17977752		BOX FAN ASM.				*		1	
13		SL4043291SC		SCREW M4X0.7 L=32				*		2	
14	D	HX00408000A		BOARD PARTS				*		4	
15	D	M3011110000		PLUG				*		1	
16		SL4030891SC		SCREW M3X8				*		4	
17		HX00222000B		CABLE CLAMP				*		2	
18		M1002519000		CPU BOARD BRACKET				*		1	
19		SL4030691SC		SCREW M3X6				*		3	
20	D	M86025110A0		P.C BOARD ASM.				*		1	
21		G10031920A0		CONTROL BOX COVER ASM.				*		1	
22		M300551100A		SEAL A	FOR 100,1-10,120,200,220,240V			*		1	
23	D	M300551100B		SEAL B	FOR 220,2-40,380,415,440V			*		1	
24		CM300100101		DANGER LABEL (SMALL)	FOR DOME-SITC USE			*		1	
25		CM300100001		LABEL	FOR EXPORT			*		1	
26		SL4041091SC		SCREW M4 L=10				*		8	
27	D	25343757		CPU CIRCUIT BOARD COMPL.				*		1	
28		HL010520181		IC				*		1	
29		E9613601000		FUSE 2A				*		1	
30		E9672452000		FUSE 3A				*		1	
31	D	25015371		CPU CIRCUIT BOARD ASM.				*		1	
32		E9613601000		FUSE 2A				*		1	
33		E9672452000		FUSE 3A				*		1	
34		17844754		AC POWER SOURCE CORD ASM.				*		1	
35		25019050		AC POWER SOURCE CORD ASM.	FOR JE			*		1	
36		HX004100000		BUSH				*		1	
37		SL4040691SC		SCREW M4 L=6				*		2	
38	D	M85195110A0		POWER PLATE ASM.				*		1	
39		M1020511000		POWER PLATE				*		1	
40	D	M952017100A		FUSE SEAL F1				*		1	
41	D	M952017100B		FUSE SEAL F2				*		1	
42		HK026650080		TERMINAL BASE 8P				*		1	
43		SL4041081SC		SCREW M4 L=10				*		2	
44		HF00511000B		FUSEHOLDERCOVER				*		2	

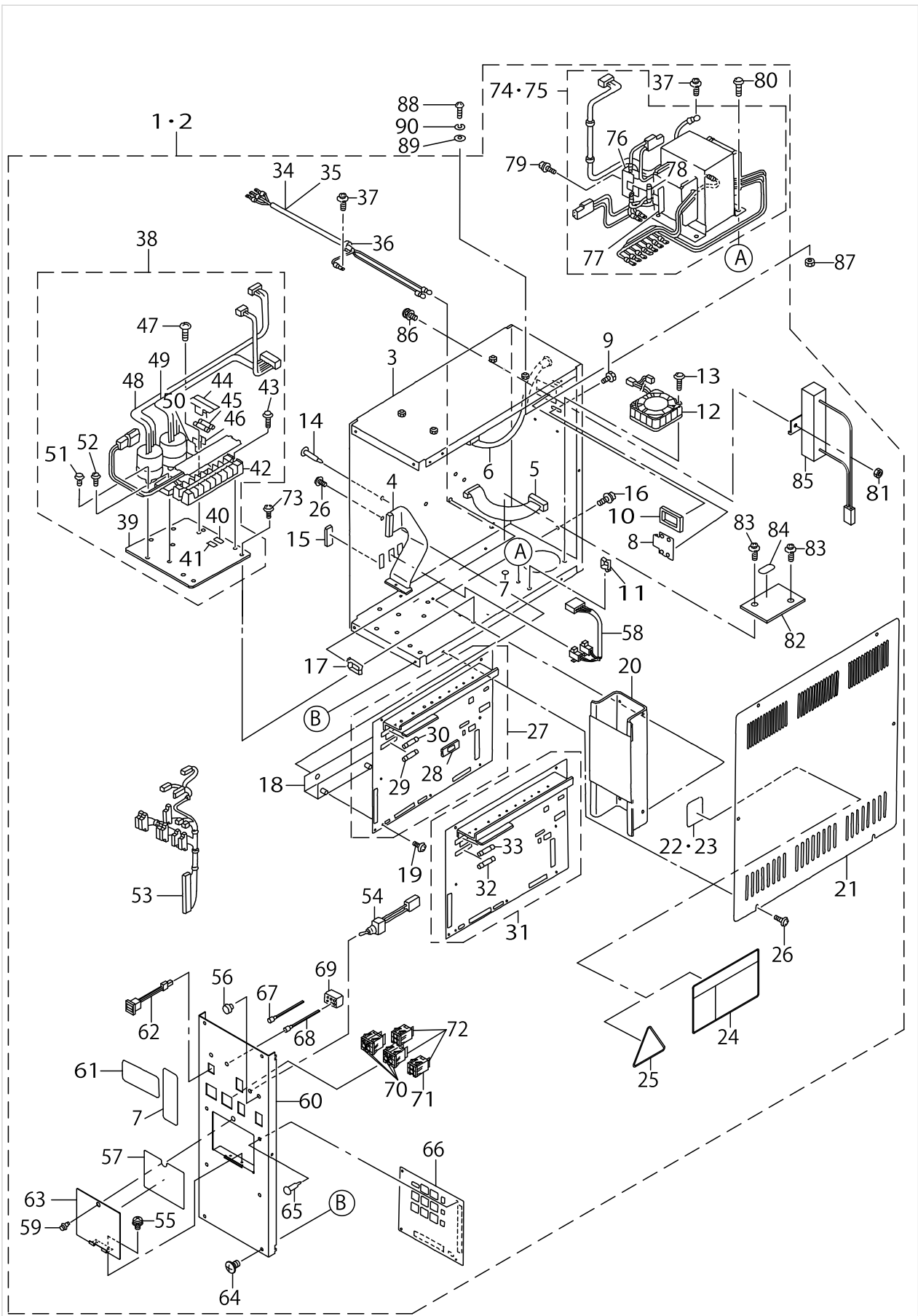
CONTROL BOX COMPONENTS



CONTROL BOX COMPONENTS

No.	Supply Code	Parts No.	Replacement	Parts name	Remarks	Choice	Step	Level	Cons	Qty	Rep. QTY
45		HF001400700		TIME LAG FUSE 7A				*		2	
46		HF005111000		FUSE HOLDER				*		1	
47		SL4031281SC		SCREW M3 L=12				*		2	
48		M85255110A0		SOLENOID POWER SOURCE ASM.				*		1	
49		M85265110A0		PMDC POWER SOURCE ASM.				*		1	
50		HF00511100A		FUSE HOLDER				*		1	
51		SL4030891SC		SCREW M3X8				*		4	
52		SL4041691SC		SCREW M4 L=16				*		2	
53		25343856		SWITCH CONNECTOR ASM.				*		1	
54	D	17978057		SWITCH ASM.				*		1	
55		SL4030691SC		SCREW M3X6				*		2	
56		TA0750404R0		PLUG D=7.5 L=3.5				*		1	
57		25344607		SEAL				*		1	
58	D	25015553		CODE ASM.				*		1	
59		M8808301000		NYLATCH				*		1	
60		25343609		CONTROL BOX PANEL				*		1	
61		25343906		SEAL				*		1	
62	D	17841453		SWITCH ASM. B				*		1	
63		17845108		PANEL COVER				*		1	
64		SM0040601SC		SCREW M4X0.7 L=6				*		7	
65		HX00269000D		SPACER				*		4	
66	D	17840158		OPERATION CIRCUIT BOARD ASM.				*		1	
67	D	17841156		LED (GREEN) ASM.				*		1	
68	D	17841255		LED (ORANGE) ASM.				*		1	
69		HK034610060		HOUSING 6P				*		1	
70		HA00001000C		SWITCH				*		5	
71		HA00001000B		SWITCH				*		2	
72		HA000010010		END PLATE				*		5	
73		SL4041091SC		SCREW M4 L=10				*		3	
74		17840752		TRANSFORMER ASM. A	FOR 100,1-10,120,200,220,240V			*		1	
75	D	17840851		TRANSFORMER ASM. B	FOR 220,2-40,380,415,440V			*		1	
76		HF005111000		FUSE HOLDER				*		1	
77		HF00511000B		FUSEHOLDERCOVER				*		1	
78		E9613601000		FUSE 2A				*		1	
79		SL4041491SC		SCREW 4 X 14				*		1	
80		SL4051091SC		SCREW M5X0.8 L=10				*		4	
81		NM6030001SC		NUT M3				*		1	
82		M1004519000		GROUND PLATE B	FOR JE			*		1	
83		SL4041081SC		SCREW M4 L=10	FOR JE			*		2	
84		CM200100001		PE MARK LABEL	FOR JE			*		1	
85	D	M85064350A0		RADIATION RESISTANCE ASM.				*		1	
86		SL4030891SC		SCREW M3X8				*		1	
87		NM6060001SC		NUT M6				*		4	
88		SM3065052TC		SCREW				*		4	
89		WP0651001SC		WASHER				*		4	

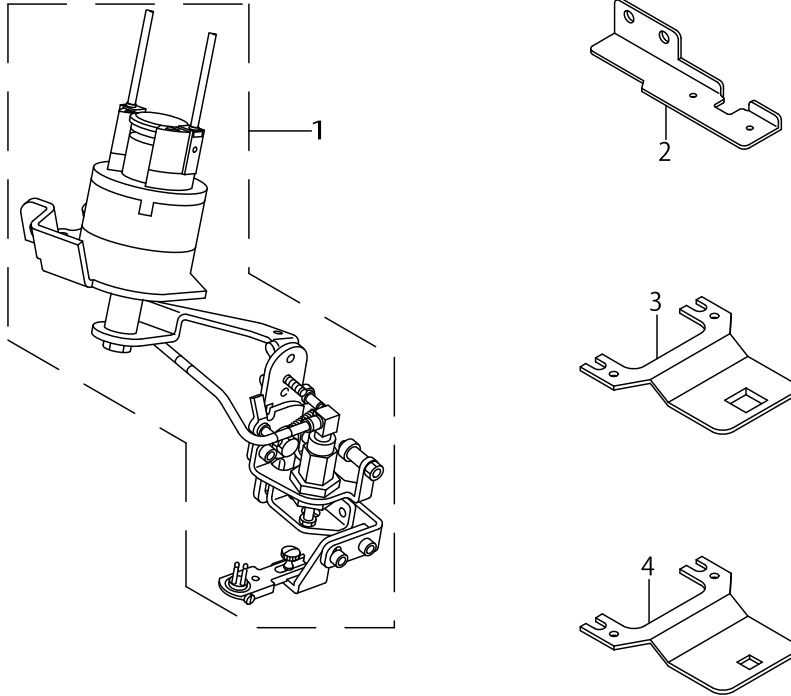
CONTROL BOX COMPONENTS



CONTROL BOX COMPONENTS

No.	Supply Code	Parts No.	Replacement	Parts name	Remarks	Choice	Step	Level	Cons	Qty	Rep. QTY
90		WS0610002KN		SPRING WASHER 6.1X12.2X1.5						4	

OPTION COMPONENTS



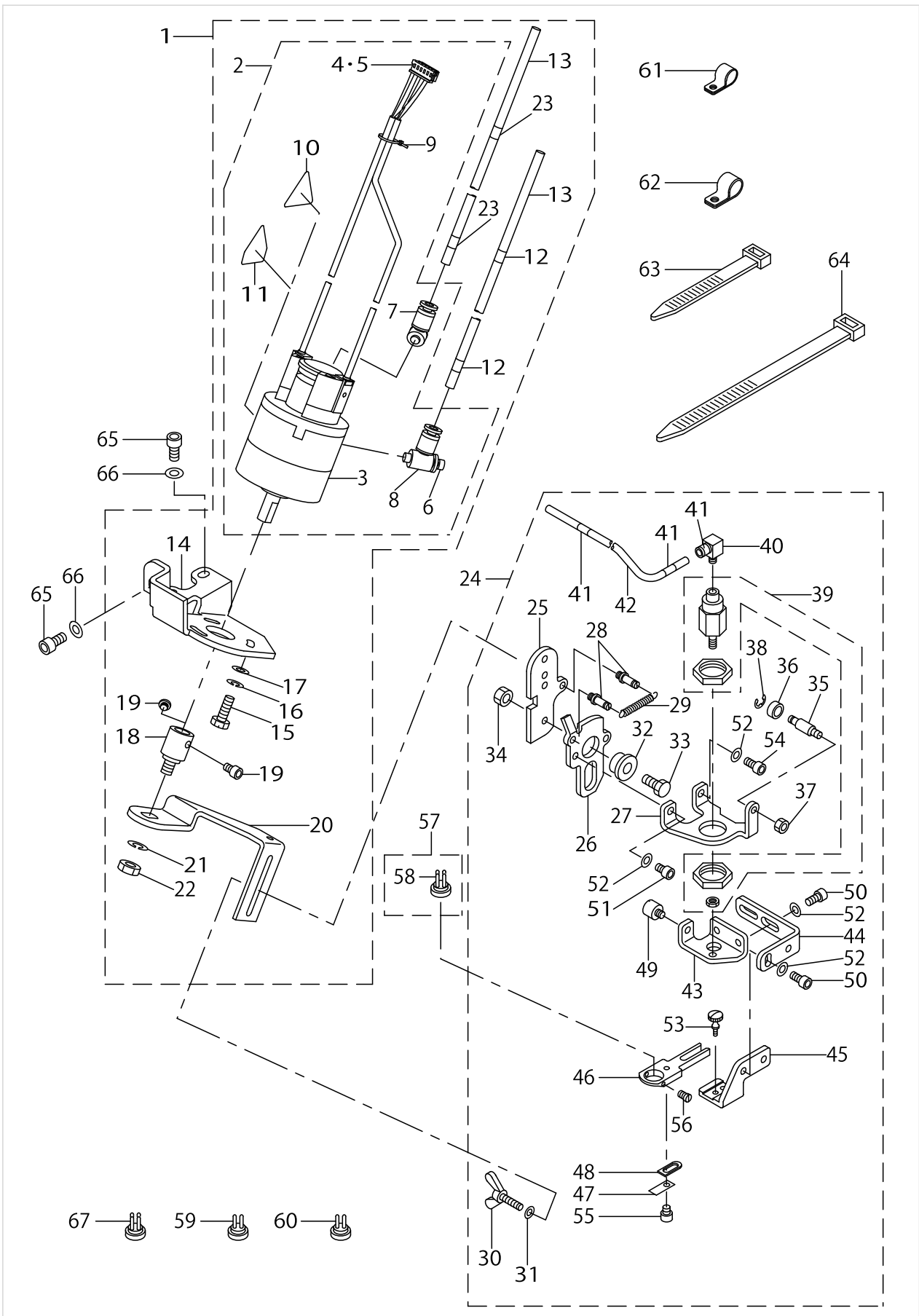
Button carrier(for 4-holed) ボタンキャリア (4つ穴用)						Button carrier(for 2-holed) ボタンキャリア (2つ穴用)								
1			2			3			4			5		
Mark 刻印	Part No. 品番	Size 寸法	Mark 刻印	Part No. 品番	Size 寸法	Mark 刻印	Part No. 品番	Size 寸法	Mark 刻印	Part No. 品番	Size 寸法	Mark 刻印	Part No. 品番	Size 寸法
A	17856600	a 2.0 b 1.0	D	17856907	a 2.8 b 1.2	K	17857608	a 4.0 b 1.4	M	17858002	a 2.0 b 1.0	U	17858705	a 4.0 b 1.4
B	17856709	a 2.4 b 1.2	E	#01 17857004	a 2.8 b 1.4	K1	17857707	a 4.0 b 1.8	N	17858101	a 2.4 b 1.2	V	#01 17858804	a 4.2 b 1.4
C	17856808	a 2.6 b 1.2	F	17857103	a 3.0 b 1.2	L	17857806	a 5.0 b 1.8	P	17858200	a 2.6 b 1.2	W	17858903	a 4.4 b 1.4
			F1	17857202	a 3.0 b 1.4				Q	17858309	a 2.8 b 1.2	X	17859000	a 4.6 b 1.4
			G	17857301	a 3.2 b 1.4				R	17858408	a 3.0 b 1.2	Y	17859109	a 4.8 b 1.4
			H	#01 17857400	a 3.4 b 1.4				S	17858507	a 3.2 b 1.4	Z	17859208	a 5.0 b 1.4
			J	17857509	a 3.6 b 1.4				T	#01 17858606	a 3.4 b 1.4			

Note(注記)#01...Standard type 標準仕様

OPTION COMPONENTS

No.	Supply Code	Parts No.	Replacement	Parts name	Remarks	Choice	Step	Level	Cons	Qty	Rep. QTY
1		25343450		LOADER ASM.						1	
2		25005208		SUPPORT PLATE LOWER						1	
3		17828906		SUPPORT PLATE L- OWER (L BUTTON)						1	
4		17829102		SUPPORT PLATE L- OWER (S BUTTON)						1	

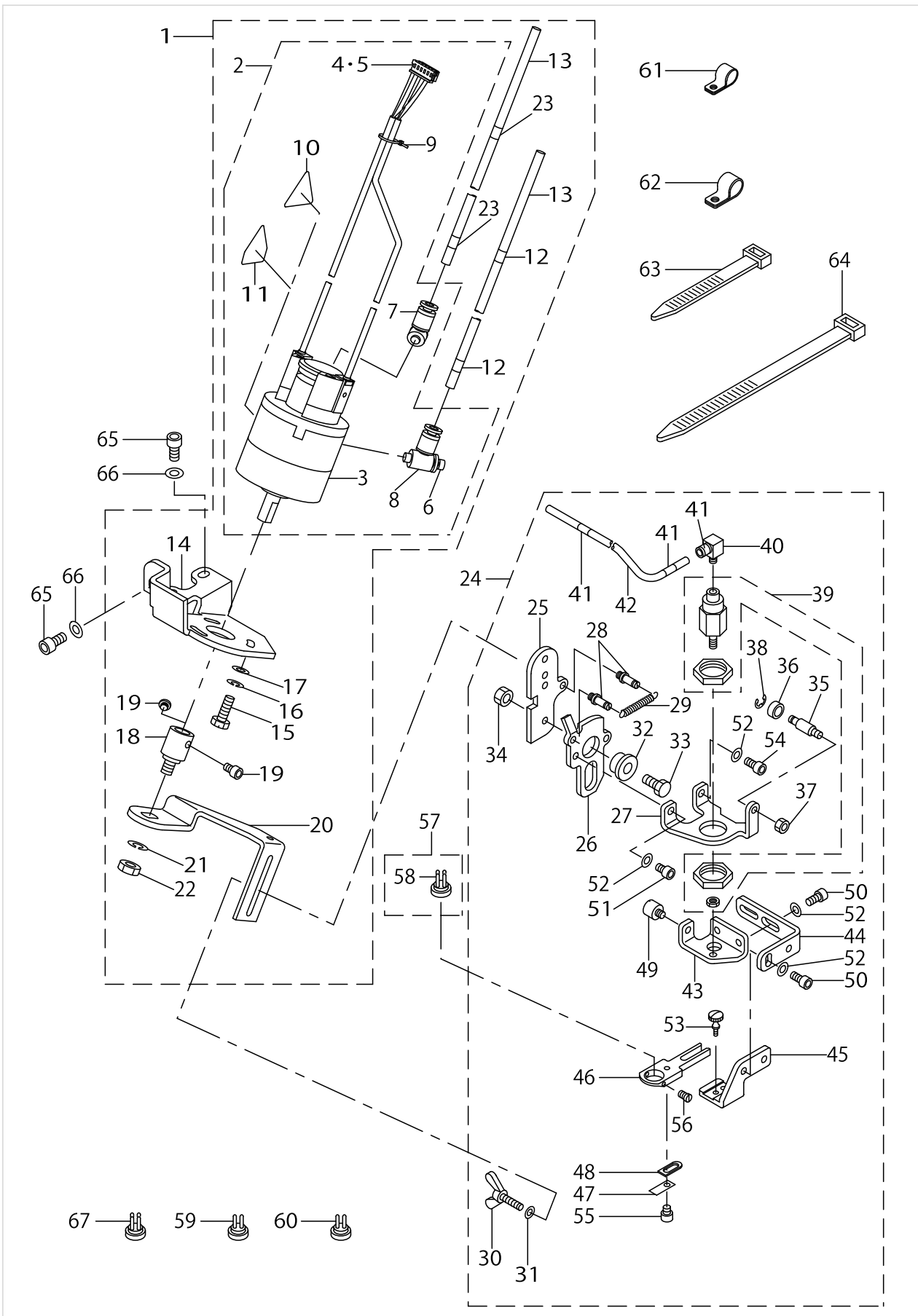
BUTTON LODER COMPONENTS (1)



BUTTON LODER COMPONENTS (1)

No.	Supply Code	Parts No.	Replacement	Parts name	Remarks	Choice	Step	Level	Cons	Qty	Rep. QTY
1	D	25014051		LOADER UNIT (A)						1	
2	D	25014655		ROTARY ACTUATOR ASM.				*		1	
3	D	PA8000140B0		ROTARY ACTUATOR				*		1	
4		HK028910060		HOUSING 6P				*		1	
5		HK029040000		PIN TERMINAL				*		6	
6		PC010508000		SPEED CONTROLLER				*		2	
7		18038208		WIRE MARK (33)				*		1	
8		18038505		WIRE MARK (36)				*		1	
9		EA9500B0100		CABLE BAND				*		1	
10		CM300200003		ATTENTION LABEL	FOR EXPORT			*		1	
11	D	CM3002000B3		LABEL.,(31.5)	FOR DOME- STIC USE			*		1	
12		18038505		WIRE MARK (36)				*		2	
13		BT0400251EB		URETHANE HOSE, BLACK				*		3.4	
14		25014002		LOADER CYLINDER FITTING PLATE				*		1	
15		SM9051450SC		SCREW M5X0.8 L=14				*		3	
16		WP0531000SC		WASHER 5.3X10X1				*		3	
17		WS0510002KN		SPRING WASHER				*		3	
18		17973108		LOADER LINK SHAFT				*		1	
19		SM6040602TP		SCREW M4 L=6				*		2	
20		25014101		LOADER LINK A				*		1	
21		NM6060001SC		NUT M6				*		1	
22		WS0610002KN		SPRING WASHER 6.1X12.2X1.5				*		1	
23		18038208		WIRE MARK (33)				*		2	
24		25014259		LOADER UNIT (B)						1	
25		17850306		LOADER LINK B				*		1	
26		17850405		LOADER LINK C				*		1	
27		17850504		FITTING PLATE				*		1	
28		17850603		SPRING PACK SHAFT				*		2	
29		17850702		LOADERLINK SPRING				*		1	
30		17974809		THUMBSCREW				*		1	
31		WP0501046SC		WASHER 5 X 13 X 1				*		1	
32		SB105001100		ROLL SHAFT HOLDER				*		1	
33		SD0500356TP		STEP-SCREW				*		1	
34		NM6050002SC		NUT M5				*		1	
35		17850801		BEARING FITTING SHAFT				*		1	
36	D	SB104000300		BUSHING				*		1	
37		NM6040001SC		NUT M4				*		1	
38		RE0300000K0		E-RING 3				*		1	
39		PA1000506A0		CYLINDER				*		1	
40		PJ046052503		HOSE ELBOW				*		1	
41		18038109		WIRE MARK (32)				*		3	
42		BT0400251EB		URETHANE HOSE, BLACK				*		2	
43		17851007		LOADER LINK D				*		1	
44		17851106		LOADER LINK E				*		1	
45	D	25014200		LOADER LINK F				*		1	

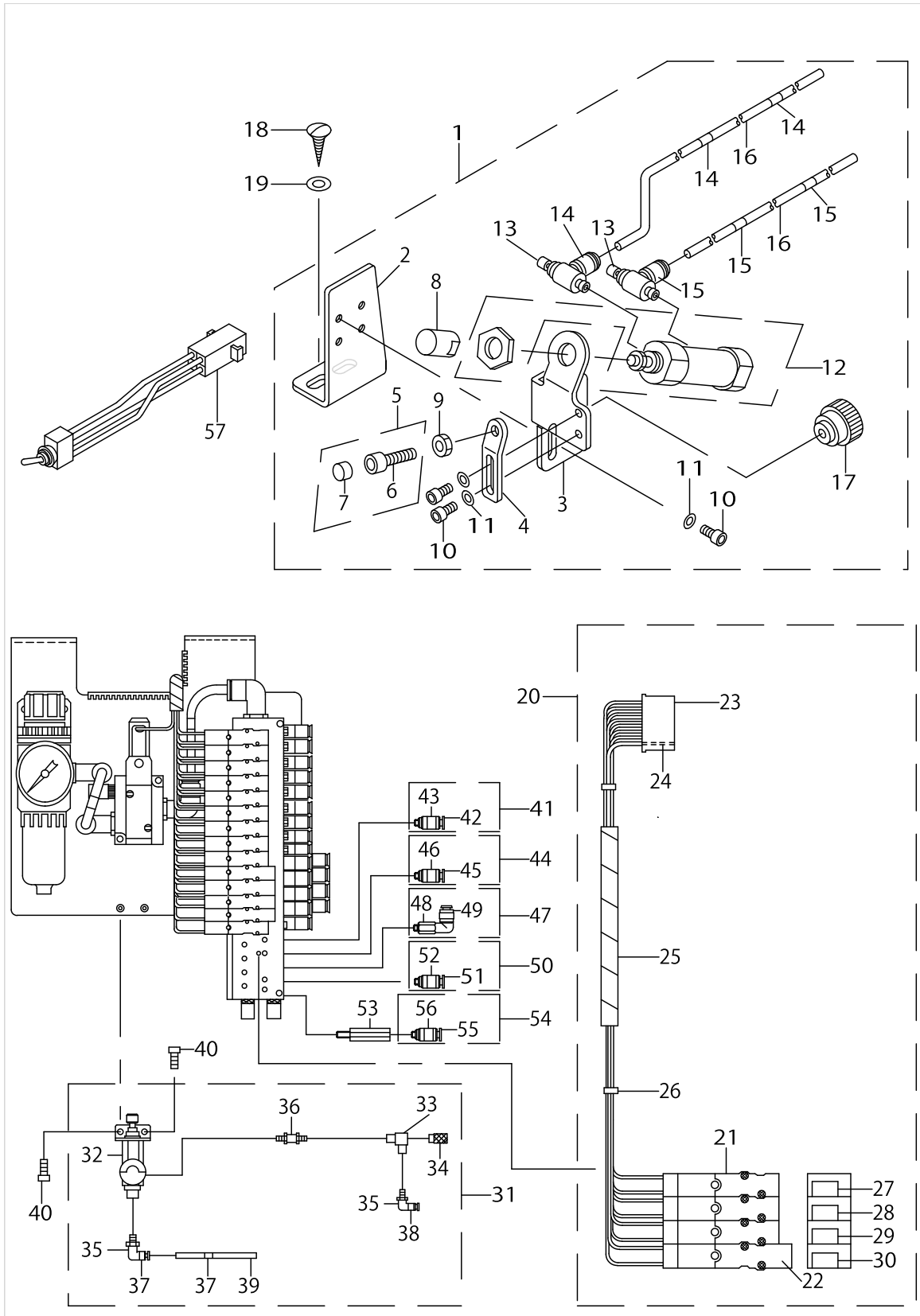
BUTTON LODER COMPONENTS (1)



BUTTON LODER COMPONENTS (1)

No.	Supply Code	Parts No.	Replacement	Parts name	Remarks	Choice	Step	Level	Cons	Qty	Rep. QTY
46	D	17851304		BUTTON CARRIER FITTING BASE				*		1	
47		17851403		BUTTON CARPIER SPACER A				*		1	
48	D	17851502		BUTTON CARPIER SPACER B				*		1	
49		17850900		GUIDE SHAFT				*		1	
50		SM6040802TR		SCREW M4X0.7 L=8				*		4	
51		SM6040602TR		SCREW M4 L=6				*		1	
52		WP0430801SC		WASHER 4.3X9X0.8				*		6	
53		B2549372000		CLAMP SCREW A				*		1	
54	R	SM6041202TR	SM6041202TP	SCREW M4 L=12				*		1	1.00
55		SM6030402TN		BOLT M3X4				*		1	
56		SM6850350TP		FLAT SCREW				*		1	
57		17857400		BUTTON CARRIER						1	
58		GBR01155H00		SET PIN H				*		4	
59		17858606		BUTTON CARRIER						1	
60		17858804		BUTTON CARRIER						1	
61		HX00150000G		CABLE CLIP						1	
62		HX00150000K		CABLE CLIP						1	
63		EA9500B0100		CABLE BAND						10	
64		HX00065000B		CABLE BAND						3	
65		SM6051002TR		SCREW M5 L=10						3	
66		WP0531000SC		WASHER 5.3X10X1						3	
67		17857400		BUTTON CARRIER						1	

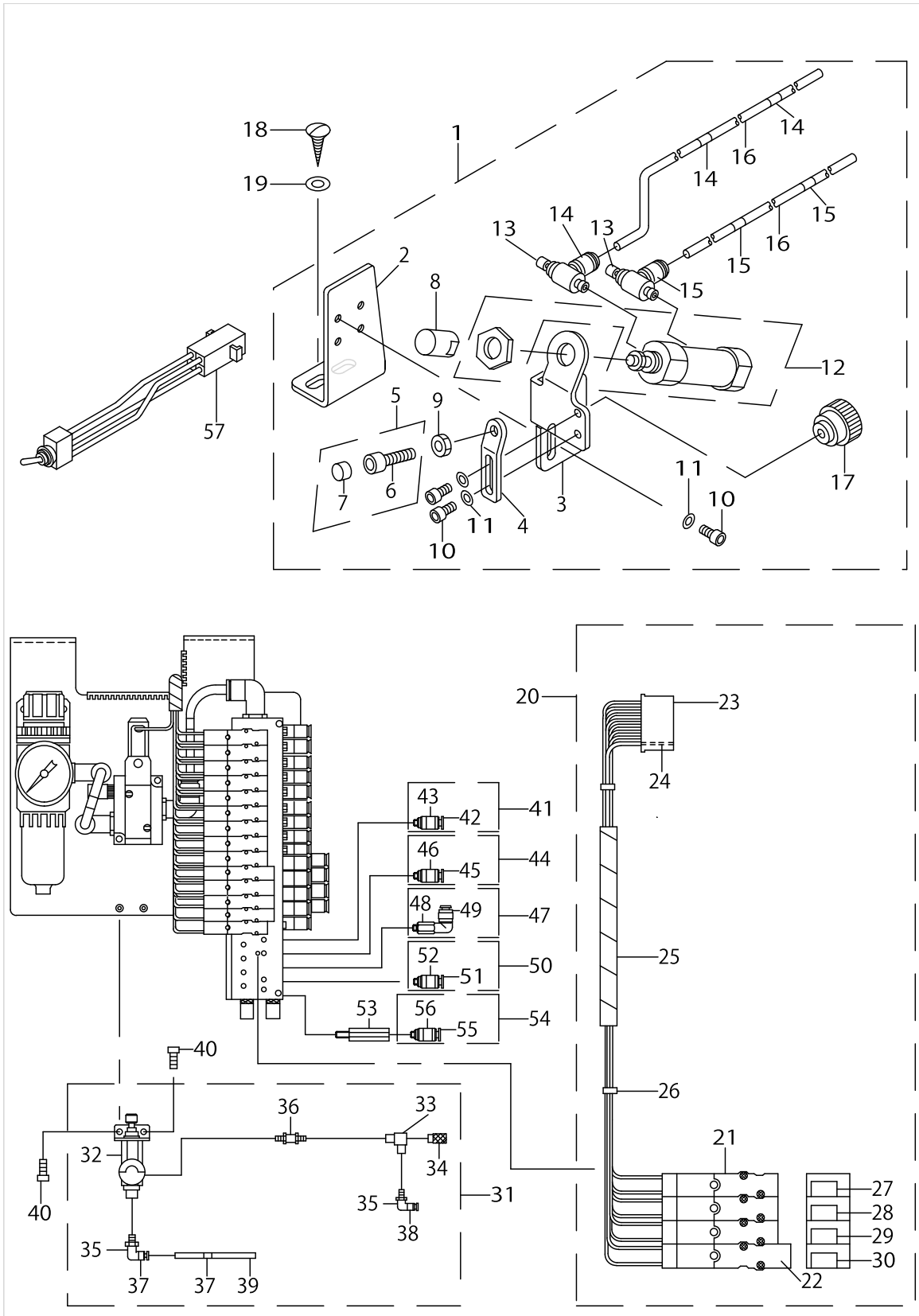
BUTTON LODER COMPONENTS (2)



BUTTON LODER COMPONENTS (2)

No.	Supply Code	Parts No.	Replacement	Parts name	Remarks	Choice	Step	Level	Cons	Qty	Rep. QTY
1	D	25014556		LOADER STOPPER ASM.						1	
2	D	25014507		BASE PLATE				*		1	
3		17851718		CYLINDER FITTING PLATE				*		1	
4		17851817		STOPPER CUSHION FITTING PLATE				*		1	
5		17853656		CUSHION ASM.				*		1	
6		17853607		STOPPER CUSHION HOLDER				*		1	
7		B1516180000		BUSH				*		1	
8		17852005		STOPPER				*		1	
9		NM6050002SC		NUT M5				*		1	
10		SM6040802TR		SCREW M4X0.7 L=8				*		4	
11		WP0430801SC		WASHER 4.3X9X0.8				*		4	
12		PA1601513A0		AIR CYLINDER				*		1	
13		PC010508000		SPEED CONTROLLER				*		2	
14		18038604		WIRE MARK (37)				*		3	
15		18038703		WIRE MARK (38)				*		3	
16		BT0400251EB		URETHANE HOSE, BLACK				*		3	
17	D	25014309		SCREW				*		1	
18		WP0561616SC		WASHER 5.6X16X1.6						2	
19	R	SK3513200SC	SK3513201SE	WOOD SCREW D=5.1 L=32						2	1.00
20	D	25014457		SOLENOID VALVE ASM.						1	
21	D	PV130517000		SOLENOID VALVE				*		3	
22		PV150517000		SOLENOID VALVE				*		1	
23		HK028910080		HOUSING 8P				*		1	
24		HK029040000		PIN TERMINAL				*		8	
25		HX001890000		SPIRAL TUBE				*		0.3	
26		EA9500B0100		CABLE BAND				*		2	
27		18036400		WIRE MARK (15)				*		1	
28		18036509		WIRE MARK (16)				*		1	
29		18036608		WIRE MARK (17)				*		1	
30		18036707		WIRE MARK (18)				*		1	
31		17852559		DECOMPRESSION VALVE ASM.						1	
32		PC0205010A0		MINIATURE DECOMPRESSION VALVE				*		1	
33		GEP01013000		VALVE				*		1	
34		PX050501000		SILENCER				*		1	
35		PJ304040504		ELBOW UNION				*		2	
36		PJ030050001		UNIVERSAL NIPPLE				*		1	
37	D	18038307		WIRE MARK (34)				*		2	
38		18038505		WIRE MARK (36)				*		1	
39		BT0400251EB		URETHANE HOSE, BLACK				*		0.2	
40		SL4040891SC		SCREW M4 L=8						2	
41	D	17852955		HALF UNION C ASM.						1	
42		PJ301040505		HALF UNION				*		1	
43		18038109		WIRE MARK (32)				*		1	
44	D	17853052		HALF UNION D ASM.						1	
45		PJ301040505		HALF UNION				*		1	

BUTTON LODER COMPONENTS (2)



BUTTON LODER COMPONENTS (2)

No.	Supply Code	Parts No.	Replacement	Parts name	Remarks	Choice	Step	Level	Cons	Qty	Rep. QTY
46		18038208		WIRE MARK (33)				*		1	
47	D	17853359		LONG ELBOW ASM.						1	
48		PJ304040507		LONG ELBOW UNION				*		1	
49	D	18038307		WIRE MARK (34)				*		1	
50	D	17853151		HALF UNION E ASM.						1	
51		PJ301040505		HALF UNION				*		1	
52		18038604		WIRE MARK (37)				*		1	
53		PJ010505001		JOINT						1	
54	D	17853250		HALF UNION F ASM.						1	
55		PJ301040505		HALF UNION				*		1	
56		18038703		WIRE MARK (38)				*		1	
57	D	17973751		LOADER SWITCH ASM.						1	

HOW TO MAKE USE OF THIS PARTS LIST

1.As to "#01" and "#02" refer to the "Note" given at the bottom of the respective pages.

2.Codes on the "Qty" column

- Each numeral indicates the number of parts required.
- "0.1" and "2.5" indicate the length (in meters) of the respective parts.

3.Parentheses mean that the corresponding part is a subpart that constructs an assembly part.

4.Dotted lines on the Figures indicate assembly parts.

1. リストページの# 0 1、# 0 2の印は、ページ下の"注記"の説明を参照下さい。
2. 数量欄の数字は、個数を表し、0. 1、2. 5等の数値は、長さ（単位メートル）を表します。
3. 数量欄の（ ）は、組部品を構成している子部品であることを意味します。
4. イラストページの-----枠は、組構成であることを意味します。

NUMERICAL INDEX OF PARTS

PART NO	PAGE	REF NO.	PART NO	PAGE	REF NO.	PART NO	PAGE	REF NO.
10004109	26	51	17806605	18	8	17816919	28	13
11047305	26	50	17806902	18	19	17817206	42	17
11102308	50	26	17806951	18	16	17818600	36	32
11155108	44	45	17807702	12	75	17821018	32	66
11155207	44	46	17807801	12	76	17821018	34	66
11157658	44	3	17807900	6	15	17821208	32	65
11157757	44	2	17808056	12	65	17821208	34	65
11158300	44	5	17808106	12	53	17821802	32	71
11158409	44	11	17808205	12	66	17821802	34	71
11158508	44	19	17808304	12	67	17822800	40	5
11158607	44	6	17808452	10	18	17822909	40	12
11159001	50	37	17808551	12	80	17823006	40	13
11185105	60	2	17808759	12	84	17823105	40	15
11185501	60	9	17808809	12	86	17823550	40	41
11280856	44	33	17808908	12	88	17823709	40	4
11503505	42	18	17809005	12	89	17824004	40	18
11528809	52	46	17809104	12	90	17824103	40	9
13943204	4	69	17809203	12	52	17824202	40	17
16115354	46	70	17810052	10	37	17824400	40	19
16258402	46	69	17810912	2	32	17824608	40	23
16450702	52	13	17811068	2	15	17825514	30	57
16658700	8	70	17811803	4	65	17825514	36	46
17007402	44	12	17811902	4	71	17826504	42	19
17800707	10	31	17812207	2	41	17826603	42	2
17801309	2	3	17812405	4	59	17828906	70	3
17801408	2	34	17812603	24	1	17829003	30	70
17801804	2	5	17812702	24	8	17829102	70	4
17802216	2	24	17812801	20	26	17830100	36	16
17802307	2	21	17812801	24	13	17830209	36	13
17802505	4	77	17812900	24	5	17830415	36	21
17802505	12	92	17813007	24	28	17832858	44	1
17802604	14	93	17813056	24	27	17832957	44	8
17803057	2	14	17813106	24	19	17833054	44	7
17803107	18	5	17813304	24	42	17833104	44	14
17803206	18	6	17813403	24	4	17833203	44	35
17803909	8	58	17813817	20	43	17833302	44	15
17804006	8	47	17814054	20	1	17833401	44	16
17804204	8	52	17814104	20	3	17833500	44	17
17804253	8	51	17814203	22	58	17833658	44	10
17804303	16	5	17814500	22	54	17833807	46	68
17804402	16	6	17816307	28	7	17833955	46	67
17805300	8	49	17816406	28	23	17835000	44	28
17805359	8	48	17816505	28	19	17835109	44	29
17805607	6	16	17816604	28	2	17835307	44	30
17806506	18	9	17816711	28	29	17836206	52	2

NUMERICAL INDEX OF PARTS

PART NO	PAGE	REF NO.	PART NO	PAGE	REF NO.	PART NO	PAGE	REF NO.
17836305	52	16	17858804	74	60	18038307	78	49
17836404	46	65	17961202	6	43	18038505	72	12
17839507	56	2	17961400	6	2	18038505	76	38
17840158	66	66	17961707	10	44	18038604	76	52
17840455	64	4	17961905	2	36	18038604	78	52
17840653	22	56	17962101	4	51	18038703	76	56
17840752	66	74-75	17962200	4	49	18038703	78	56
17840851	66	74-75	17962358	2	16	25000308	2	12
17841156	66	67	17962408	2	30	25000456	2	11
17841255	66	68	17962507	6	5	25000605	6	31
17841453	66	62	17962804	6	12	25000704	6	29
17841602	64	7	17962903	6	9	25000803	6	38
17841958	52	8	17963018	6	14	25000902	6	33
17842055	52	20	17963703	22	51	25001009	6	28
17842352	38	51	17964909	38	50	25001108	6	27
17844754	64	34	17966300	40	28	25001355	6	35
17845009	64	8	17966359	40	27	25001405	8	54
17845108	66	63	17966714	4	47	25001603	24	11
17848458	52	29	17967209	42	11	25001702	18	22
17848508	52	30	17967308	42	9	25001751	18	21
17850306	72	25	17969304	32	4	25001900	18	10
17850405	72	26	17969403	32	5	25002007	18	2
17850504	72	27	17970609	32	64	25002502	6	41
17850603	72	28	17970609	34	64	25002601	8	72
17850702	72	29	17970807	36	1	25002809	2	27
17850801	72	35	17970906	36	2	25002908	2	28
17850900	74	49	17971003	36	3	25002957	2	23
17851007	72	43	17971805	44	23	25003062	6	6
17851106	72	44	17972357	56	16	25003104	8	69
17851304	74	46	17973108	72	18	25003203	2	44
17851403	74	47	17973751	78	57	25003302	42	1
17851502	74	48	17974809	72	30	25003401	42	3
17851718	76	3	17977752	64	12	25003500	2	1
17851817	76	4	17978057	66	54	25003609	6	1
17852005	76	8	17978453	52	34	25003757	4	64
17852559	76	31	18036004	40	40	25003807	4	61
17852955	76	41	18036400	76	27	25003906	4	60
17853052	76	44	18036509	76	28	25004003	24	32
17853151	78	50	18036608	76	29	25004110	28	1
17853250	78	54	18036707	76	30	25004201	28	11
17853359	78	47	18038109	72	41	25004300	28	12
17853607	76	6	18038109	76	43	25004508	28	69
17853656	76	5	18038208	72	23	25004508	30	69
17857400	74	67	18038208	78	46	25004607	28	33
17858606	74	59	18038307	76	49	25004706	28	36

NUMERICAL INDEX OF PARTS

PART NO	PAGE	REF NO.	PART NO	PAGE	REF NO.	PART NO	PAGE	REF NO.
25004805	28	42	25011008	32	29	25343906	66	61
25005000	28	43	25011107	32	30	25344458	64	1·2
25005109	30	75	25011206	32	31	25344607	66	57
25005208	70	2	25011305	32	32	B1104372A00	4	58
25005505	30	49	25011404	34	52	B1110372000	4	56
25005604	30	60	25011453	34	49	B1111372000	4	54
25005703	30	53	25011552	34	53	B1119373000	2	39
25005752	30	52	25011602	34	54	B1120372000	4	52
25005802	30	54	25011701	34	55	B1120372000	52	4
25005901	30	59	25011800	34	56	B1131521000	2	25
25006602	40	1	25011909	34	57	B1136850000	2	26
25006701	40	32	25012006	32	61	B1215372A00	8	65
25006750	40	31	25012006	34	61	B1215372B00	16	4
25006800	40	33	25012303	36	5	B1216372000	16	2
25006909	40	34	25012402	36	12	B1217372000	16	11
25007006	40	35	25012600	52	17	B12173720A0	16	10
25007105	40	36	25013202	52	42	B1222372000	8	66
25007501	36	30	25013251	52	36	B1223372000	16	3
25007626	36	31	25014002	72	14	B1224372000	8	63
25007709	36	33	25014051	72	1	B12243720A0	8	62
25007808	36	34	25014101	72	20	B1227372000A	8	56
25007907	36	37	25014200	72	45	B1232372000	6	36
25008004	36	39	25014259	72	24	B1239372000	6	45
25008103	36	42	25014309	76	17	B1402372000	18	4
25008152	36	41	25014457	76	20	B1407372000	18	14
25008202	36	43	25014507	76	2	B1408372000	18	15
25008319	38	48	25014556	76	1	B1410372000	18	17
25008426	38	60	25014655	72	2	B1411372A00	18	13
25008509	38	61	25014903	46	58	B1412372000	18	18
25008608	36	20	25015371	64	31	B14163720A0	18	25
25009002	30	68	25015553	66	58	B1418372000	18	26
25009051	30	67	25018706	22	47	B1419372000	18	29
25009101	8	68	25018706	24	38	B1421372000	10	2
25010000	32	2	25018755	20	46	B1516180000	76	7
25010059	32	1	25018854	24	37	B152652700G	30	58
25010158	32	3	25018953	46	61	B152652700G	38	47
25010208	32	6	25019050	64	35	B2004372000	12	50
25010307	32	7	25019365	52	1	B2006372000	12	56
25010604	32	59	25343005	44	21	B2007372000	12	61
25010604	34	59	25343104	44	34	B2008372000	12	60
25010703	32	60	25343450	70	1	B2011372000	12	49
25010703	34	60	25343559	64	1·2	B2012372000	10	46
25010802	32	27	25343609	66	60	B2014372000A	10	43
25010851	32	25	25343757	64	27	B2015372000	10	41
25010950	32	28	25343856	66	53	B20153720A0	10	32

NUMERICAL INDEX OF PARTS

PART NO	PAGE	REF NO.	PART NO	PAGE	REF NO.	PART NO	PAGE	REF NO.
B2016372000	10	40	B3115372000	4	73	E8760452H00	38	52
B2017372000	10	34	B3120125000	10	91	E8760452M00	22	50
B2019372000	10	28	B3120125000	12	91	E8760452M00	24	41
B20193720AA	10	22	B3125012000	10	23	E9561351000	46	62
B2020372000	10	29	B3127372000	2	18	E9613601000	64	78
B2021372000	10	25	B3132012000	10	26	E9613601000	66	78
B2024372000A	10	21	B3149123A00	2	19	E9672452000	64	33
B2026372000	10	19	B33011800AA	60	1	EA9500B0100	12	74
B2028372000	10	14	B3303180000	60	3	EA9500B0100	26	49
B2029372000	10	13	B3305704000A	60	5	EA9500B0100	30	64
B20313720A0	10	8	B3307704000	60	4	EA9500B0100	38	59
B2034372000	10	9	B3311012000	60	8	EA9500B0100	40	44
B2035372000	10	7	B3311704000	60	6	EA9500B0100	46	89
B2036372000	10	11	B3317704000	60	11	EA9500B0100	52	45
B2037372000	10	10	B3320704L00A	60	7	EA9500B0100	72	63
B2038372000	10	1	B4008205000	24	29	EA9500B0100	74	63
B2040373000	10	16	B821021000B	46	91	EA9500B0100	76	26
B2314019000	10	38	B821121000B	46	92	EA9500B0200	6	13
B2501205000	20	15	BT0400251EB	40	39	EA9500B0200	44	44
B2502210000	20	10	BT0400251EB	58	49	EA9500B0200	56	28
B2503210000	20	11	BT0400251EB	72	42	EA9564B0100	46	63
B2504210000	20	32	BT0400251EB	76	39	EA9564B0300	46	64
B2505210000	20	37	BT0600401EB	58	48	F1021003000	56	1
B2507210000	20	16	CM200100001	66	84	G1001192000	64	3
B2509210000	20	20	CM300100001	64	25	G10031920A0	64	21
B2510205000	28	8	CM300100101	64	24	GAK320010A0	46	78
B2512205000	20	18	CM300200003	72	10	GAK320010B0	46	77
B2513210000	20	22	CM3002000B3	72	11	GBR01155H00	74	58
B2513210000	24	15	CM300200101	4	75	GBR01227000	36	36
B2514210000	20	29	CM3002001A1	4	76	GBR01333000	28	46
B2515210000	20	35	CM300500001	54	47	GBR01357000	28	45
B2516205000A	20	25	CM500100001	46	90	GEP01013000	76	33
B2516205000A	24	17	CQ200000000	18	23	GHP03537000	50	18~20
B2519205000	20	5	CS0790741TH	8	46	GPK14013000	50	15
B2519210000	20	6	CS1000811SP	40	7	GPK1800600AA	50	35
B2520205000	20	7	CS1111019SH	8	59	GPK1800700AA	50	36
B2521210000A	20	14	CS127101ASH	16	8	GPK260030AA	50	3
B2522205000	20	8	D3129555D00	10	39	GPK2600700A	50	6
B2522210000	20	19	D3302772T00	60	10	GPK2600800A	50	5
B2525205000	24	6	D6042555B00	52	24	GPK26009000	50	7
B2526210000	24	21	D6043555B00	52	23	GPK26010000	50	11
B2536210000	24	20	D8204555D00	46	49	GPK26011000	50	8
B2549372000	74	53	D8621761C0B	22	49	GPK26022000	50	32
B2574220000	2	45	E1022760000	30	65	GPK26026000	50	29
B2576220000	2	46	E8760452B00	38	58	GPK26028000	50	31-33-34

NUMERICAL INDEX OF PARTS

PART NO	PAGE	REF NO.	PART NO	PAGE	REF NO.	PART NO	PAGE	REF NO.
GPK620010A0	50	2	HX00150000K	74	62	NM6040001SC	72	37
GPK620010B0	46	56	HX00150000R	46	51	NM6040003SC	50	31·33·34
GPK620010B0	50	1	HX001890000	52	44	NM6050001SC	40	24
GPK62002000	50	21	HX001890000	76	25	NM6050001SE	60	15
GPK620030B0	50	22	HX00222000A	64	11	NM6050002SC	72	34
HA00001000B	66	71	HX00222000B	64	17	NM6050002SC	76	9
HA00001000C	66	70	HX002230000	52	18	NM6050003SC	20	38
HA000010010	66	72	HX00223000A	56	13	NM6050003SC	24	25
HA002470000	52	39	HX002350000	52	25	NM6060001SC	6	20
HA00247001A	52	40	HX00269000D	66	65	NM6060001SC	40	20
HA00247001B	52	41	HX004070000	64	10	NM6060001SC	44	39
HA002890000	38	54	HX00408000A	64	14	NM6060001SC	66	87
HE000150000	52	9	HX004100000	64	36	NM6060001SC	72	21
HF001400700	66	45	M1002519000	64	18	NM6080002SE	50	27·28
HF00511000B	64	77	M1004519000	66	82	NM6080721SE	46	74
HF00511000B	66	77	M1020511000	64	39	NM6080721SE	50	16·17·38- ·39
HF005111000	66	76	M300551100A	64	22·23	NM6120003SE	44	13
HF00511100A	66	50	M300551100B	64	22·23	NS6080210SP	10	6
HK003940010	22	48	M3011110000	64	15	NS6080340SP	12	63
HK003940010	24	39	M85064350A0	66	85	NS6090310SP	28	44
HK018620060	24	40	M85195110A0	64	38	NS6110310SP	4	74
HK024910050	38	56	M85215110A0	64	5	NS6110310SP	20	13
HK026650080	64	42	M85225110A0	52	35	NS6110310SP	28	38
HK028910060	72	4·5	M85235110A0	64	6	NS6110420SP	32	70
HK028910080	76	23	M85255110A0	66	48	NS6110420SP	34	70
HK029040000	72	4·5	M85265110A0	66	49	NS6150310SP	24	7
HK029040000	76	24	M85305110A0	52	33	NS6150310SP	36	19
HK032040000	38	57	M86025110A0	64	20	NS6150430SP	52	5
HK034610060	66	69	M8808301000	66	59	NS6150440SP	18	12
HL010520181	64	28	M952017100A	64	40	NS6160520SP	10	30
HM000550000	52	21	M952017100B	64	41	NS6200710SN	44	25
HW000660050	38	55	MAI15040000	46	86	NS6660430SP	10	20
HX000130000	44	40	MAI15040000	52	22	NS6680410SP	18	20
HX00065000B	44	43	MAO11532000	46	50	NS6680480SP	18	24
HX00065000B	74	64	MAO11532000	60	21	PA0401001A0	40	38
HX00088000A	30	66	MAT80230T00	46	79	PA0401001A0	56	30
HX00088000A	38	53	MAT80231T00	46	80	PA0601505A0	36	9
HX00150000A	24	48	MAT80232T00	46	81	PA0601505A0	56	26
HX00150000A	26	48	MAT81126T00	46	87	PA1000506A0	12	82
HX00150000A	40	10	MC3M3320900	18	1	PA1000506A0	56	39
HX00150000A	46	53	MTJMS000030	44	24	PA1000506A0	72	39
HX00150000D	2	9	MTJVM003500	62	1	PA100152300	38	65
HX00150000D	28	27	MTSP0055000A	62	2	PA100152300	56	31
HX00150000F	2	33	NM6030001SC	66	81	PA1003012A0	12	78
HX00150000G	74	61	NM6040001SC	52	27			

NUMERICAL INDEX OF PARTS

PART NO	PAGE	REF NO.	PART NO	PAGE	REF NO.	PART NO	PAGE	REF NO.
PA1003012A0	56	37	PJ304040507	6	25	SB110000500	28	15
PA1005501A0	42	15	PJ304040507	56	44	SB710000200	24	2
PA1005501A0	56	36	PJ304040507	78	48	SB710000200	28	3
PA1008003A0	42	4	PJ304065101	56	9	SD0402001TP	10	12
PA1008003A0	56	45	PJ304065201	56	8	SD0500356TP	72	33
PA1501009A0	12	70	PJ305040001	56	40	SD0550212TP	28	39
PA1501009A0	56	41	PJ308040002	56	46	SD0600271SP	2	38
PA1503007A0	40	22	PJ309040501	6	26	SD0600271SP	12	87
PA1503007A0	56	23	PJ309040501	36	29	SD0601021SP	4	68
PA1504001A0	6	17	PJ309040501	56	32	SD0640241SP	6	37
PA1504001A0	56	43	PS0200062KH	4	72	SD0700811TP	30	47
PA1601513A0	76	12	PS0200082KH	30	55	SD0790203SP	12	85
PA1603101A0	36	23	PS0200082KH	40	21	SD0790802SP	12	64
PA1603101A0	56	33	PS0200122K0	36	44	SD0791051SP	52	3
PA8000140B0	72	3	PS0300162KH	10	42	SD0791271SP	2	6
PC010507000	36	25	PV030514000	56	17	SD0791271SP	10	5
PC010507000	40	25	PV130517000	56	14	SD0791501SP	10	15
PC010507000	42	16	PV130517000	76	21	SD0800291TP	32	67
PC010507000	56	27	PV135113000	56	10	SD0800291TP	34	67
PC010508000	72	6	PV150517000	56	15	SK3311600SC	46	59
PC010508000	76	13	PV150517000	76	22	SK3412000SC	52	31
PC012401000	58	47	PX050501000	76	34	SK3452500SC	44	66
PC0205010A0	76	32	PX055103000	56	12	SK3452500SC	46	66
PF025204000	56	3	PX060003000	52	37	SK3513200SC	44	22
PF065102000	56	5	PX060003000	56	24	SK3513200SC	76	19
PF905003000	56	4	PX060010000	52	38	SK3514000SC	46	88
PJ010505001	36	28	PX060010000	56	34	SK3552500SC	48	94
PJ010505001	56	21	PX500020000	12	73	SL4030691SC	50	23
PJ010505001	78	53	PX500020000	36	24	SL4030691SC	64	55
PJ020500002	56	19	PX500020000	56	42	SL4030691SC	66	55
PJ030050001	76	36	PX500043000	6	24	SL4030891SC	22	55
PJ042050002	12	83	PX500043000	40	26	SL4030891SC	24	44
PJ042050002	56	38	PX500043000	56	25	SL4030891SC	64	86
PJ042520002	56	7	PX5000480A0	36	26	SL4030891SC	66	86
PJ046052503	72	40	PX5000480A0	56	35	SL4031281SC	66	47
PJ301040505	56	20	RC1900001KP	24	3	SL4031291SC	22	57
PJ301040505	76	55	RC1900001KP	28	4	SL4031681SC	36	10
PJ301040505	78	55	RE0300000K0	72	38	SL4031691SC	50	25
PJ304040001	40	43	RE0320000K0	2	20	SL4040691SC	48	93
PJ304040001	56	29	RE0600000K0	20	34	SL4040691SC	50	12
PJ304040504	12	72	RE0600000K0	24	14	SL4040691SC	64	37
PJ304040504	36	11	SB104000300	72	36	SL4040891SC	24	47
PJ304040504	42	5	SB105001100	72	32	SL4040891SC	26	47
PJ304040504	56	22	SB108000500	20	36	SL4040891SC	42	7
PJ304040504	76	35	SB108000500	24	9	SL4040891SC	46	71

NUMERICAL INDEX OF PARTS

PART NO	PAGE	REF NO.	PART NO	PAGE	REF NO.	PART NO	PAGE	REF NO.
SL4040891SC	50	9	SM6051202TP	40	16	SS6080610TP	34	72
SL4040891SC	56	6	SM6051602TP	20	40	SS6080720SP	36	38
SL4040891SC	76	40	SM6051602TR	28	50	SS6090520SP	4	55
SL4041081SC	64	83	SM6051602TR	30	50	SS6090540SP	6	3
SL4041081SC	66	83	SM6051602TR	42	12	SS6090540SP	30	48
SL4041091SC	28	28	SM6061202TP	44	18	SS6090610SP	2	31
SL4041091SC	64	73	SM6061602TN	6	21	SS6090610SP	24	31
SL4041091SC	66	73	SM6085002TP	2	13	SS6090620SP	2	4
SL4041491SC	66	79	SM6086002TP	2	10	SS6090620SP	20	17
SL4041691SC	66	52	SM6850350TP	74	56	SS6090620SP	32	63
SL4042591SC	50	18~20	SM8040602TP	8	71	SS6090620SP	34	63
SL4043091SC	56	18	SM8040602TP	20	27	SS6090670TP	6	30
SL4043291SC	64	13	SM8040802TP	20	28	SS6091210TP	18	7
SL4051091SC	24	43	SM8050612TP	28	14	SS6110480SP	2	62
SL4051091SC	52	19	SM8050802TP	20	42	SS6110480SP	4	62
SL4051091SC	66	80	SM8050802TP	24	36	SS6110480SP	6	42
SL4051241SE	36	17	SM9040803SF	64	9	SS6110610TP	20	21
SL9082093SE	44	4	SM9050813SE	60	17	SS6110610TP	40	42
SM0030601SC	38	49	SM9051450SC	28	73	SS6110670TP	2	42
SM0040601SC	66	64	SM9051450SC	30	73	SS6111010SP	52	43
SM1850951SD	32	58	SM9051450SC	72	15	SS6111210SP	2	29
SM1850951SD	34	58	SM9061080SE	60	16	SS6120930TP	12	54
SM3065052TC	66	88	SM9061403SC	44	36	SS6120940SP	2	35
SM4040801SN	22	59	SM9061403SC	52	14	SS6120940SP	12	81
SM4041201SC	50	31·33·34	SM9062003SC	28	20	SS6121050SP	12	59
SM4041401SC	36	14	SM9062553SC	28	16	SS6121210SP	4	63
SM4043601SN	52	26	SM9081620SE	50	27·28	SS6121210SP	22	60
SM4051405SE	60	13	SM9082023SE	46	73	SS6121212TP	40	6
SM4051601SC	20	39	SM9082023SE	50	16·17·38-39	SS6121610TP	12	58
SM4051601SC	30	61	SS2060210SP	28	26	SS6151220SP	46	82
SM4052501SC	24	24	SS4110615SP	42	20	SS6151412TP	22	52
SM6030402TN	74	55	SS4110615SP	46	76	SS6151440SP	24	34
SM6040602TP	20	23	SS4110715SP	4	66	SS6151612TP	24	26
SM6040602TP	24	16	SS4110910TP	6	32	SS6151612TP	28	25
SM6040602TP	40	14	SS4110915SP	20	44	SS7080310TP	6	7
SM6040602TP	72	19	SS4110915SP	24	35	SS7080510TP	18	3
SM6040602TR	74	51	SS4111215SP	50	10	SS7090510SP	10	17
SM6040802TR	74	50	SS4120915SP	2	17	SS7090850SP	24	30
SM6040802TR	76	10	SS5120810SP	2	22	SS7090850SP	36	8
SM6041202TR	74	54	SS6050180SL	6	8	SS7110710SL	46	83·85
SM6041402TN	38	62	SS6080320SP	40	37	SS7110830SP	6	11
SM6041402TP	20	4	SS6080410SP	32	50	SS7110840SP	2	40
SM6050802TR	28	24	SS6080410SP	34	50	SS7110840SP	6	44
SM6051002TR	74	65	SS6080610TP	32	72	SS7110910TP	20	12
SM6051202TP	24	10				SS7110910TP	24	23

NUMERICAL INDEX OF PARTS

PART NO	PAGE	REF NO.	PART NO	PAGE	REF NO.	PART NO	PAGE	REF NO.
SS7111410SP	6	4	WP0371016SD	34	62	WP1612616SE	60	12
SS7111410SP	46	84	WP0371016SD	36	6	WS0410002KN	38	64
SS7111410TP	6	39	WP0430800SC	36	63	WS0410002KN	52	28
SS7111410TP	12	68	WP0430800SC	38	63	WS0410002KP	36	7
SS7111810SP	6	34	WP0430800SC	42	10	WS0451040KP	12	69
SS7111810TP	6	10	WP0430801SC	46	60	WS0451040KP	32	69
SS7111810TP	24	22	WP0430801SC	50	24	WS0451040KP	34	69
SS7112420SP	6	40	WP0430801SC	74	52	WS0510002KN	6	18
SS7120640SP	40	11	WP0430801SC	76	11	WS0510002KN	30	62
SS7151210SP	10	45	WP0450801SD	4	67	WS0510002KN	42	13
SS7151340TP	4	53	WP0450801SD	28	72	WS0510002KN	60	19
SS8080310TP	36	27	WP0450801SD	30	72	WS0510002KN	72	17
SS8080410TP	36	40	WP0450801SD	32	68	WS0521010KN	60	20
SS8090710SP	30	56	WP0450801SD	34	68	WS0610002KN	6	23
SS8090710SP	36	45	WP0480856SP	12	57	WS0610002KN	28	22
SS8110410TP	8	55	WP0480856SP	46	83-85	WS0610002KN	44	37
SS8110422TP	28	9	WP0501016SD	12	55	WS0610002KN	68	90
SS8110422TP	36	4	WP0501016SD	20	45	WS0610002KN	72	22
SS8110520TP	40	8	WP0501046SC	72	31	WS0650389KP	2	37
SS8111010TP	28	37	WP0520656SA	60	18	WS0820002KN	44	26
SS8150410TP	8	53	WP0531000SC	2	8	WS0861410KR	46	75
SS8151150SP	4	57	WP0531000SC	24	12	WS0861410KR	50	16-17-38-39
SS8151150SP	8	67	WP0531000SC	28	74	WS1002560KR	62	3
SS8151150SP	16	1	WP0531000SC	30	74	WS1220002KR	44	20
SS8151550SP	16	7	WP0531000SC	72	66	WZ0850302K0	52	7
SS8151720SP	36	18	WP0531000SC	74	66			
SS8660330SP	8	61	WP0560860SE	42	14			
SS8660512TP	8	60	WP0560860SE	44	41			
SS8660610TP	16	9	WP0561616SC	46	57			
SS8660612TP	8	64	WP0561616SC	76	18			
SS8660612TP	16	12	WP0611626SP	52	15			
SS8660612TP	18	28	WP0612056SD	44	31			
SS8660942TP	18	27	WP0621016SD	10	4			
SS9110543CP	28	71	WP0641600SC	6	22			
SS9110543CP	30	71	WP0641600SC	28	21			
SS9150910SP	28	10	WP0641600SC	44	38			
SS9151210TP	22	53	WP0651001SC	66	89			
SS9151210TP	52	32	WP0740516SP	4	70			
SS9151630CP	18	11	WP08416000E	52	6			
SS9151740CP	36	22	WP0841600SE	42	8			
SS9161610SP	2	43	WP0851846SC	44	27			
SS9201813CP	24	33	WP0871602SE	46	72			
TA0750404R0	66	56	WP0871602SE	50	16-17-38-39			
WP0371016SD	12	62	WP1302501SE	44	9			
WP0371016SD	32	62						