

MODEL : LK-1903/BR25

List No : 1224-02

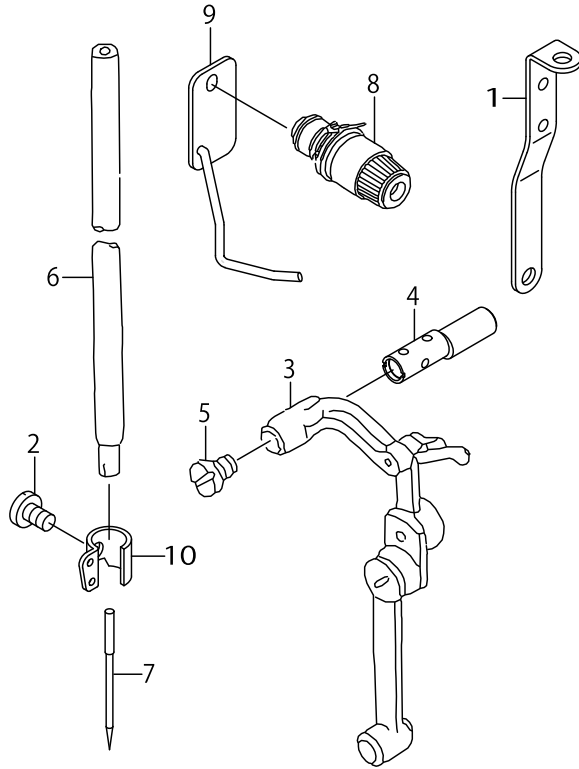
PARTS LIST

Published:05/12/2017

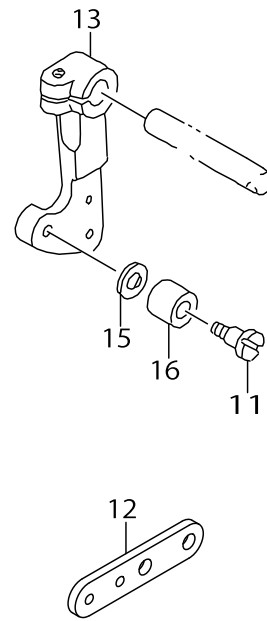
CONTENTS

LK-1903SS-31△	1
WIPER MECHANISM COMPONENTS	3
BUTTON CLAMP COMPONENTS.....	5
FINE POSITIN OF BUTTONS COMPONENTS (1)	9
FINE POSITIN OF BUTTONS COMPONENTS (2)	13
DRIVE CAM COMPONENTS.....	17
INDEX COMPONENTS (1)	19
INDEX COMPONENTS (2)	23
FEEDER BALL COMPONENTS	27
TABLE & COVER COMPONENTS	29
BR CONTROL BOX COMPONENTS (FOR JAPAN AND GENERAL EXPORT).....	33
BR CONTROL BOX COMPONENTS (FOR EUROPE).....	37
BR POWER SUPPLY COMPONENTS.....	41
MC591 CONTROL BOX COMPONENTS.....	43
MC591 OPERATION BOX & ACCESSORIE COMPONENTS.....	47
MC591 WIRING DIAGRAM	49
ACCESSORIE PART COMPONENTS	51
SELECTIVE PART COMPONENTS	53
LIST FOR INFORMATION OF CHANGE.....	55
HOW TO MAKE USE OF THIS PARTS LIST	56

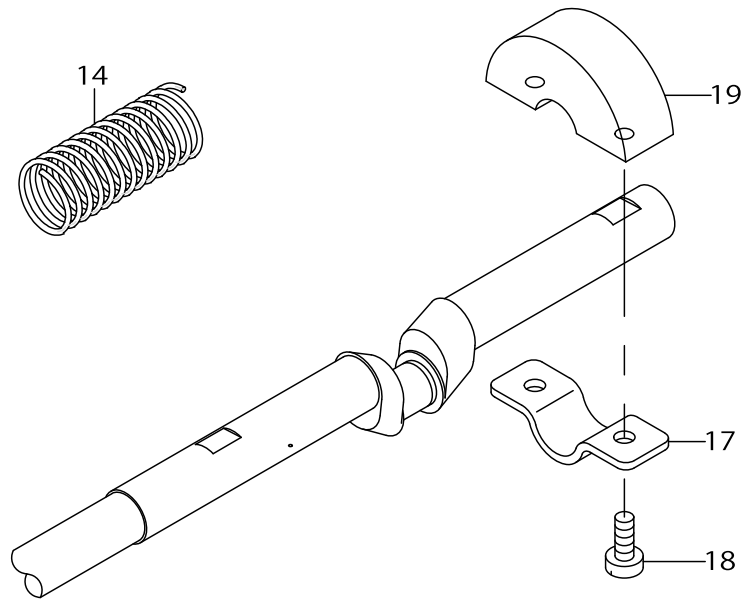
NEEDLE BAR & THREAD TENSION COMPONENTS
針棒・糸調子関係



PRESSER LIFTER COMPONENTS
押え上げ関係



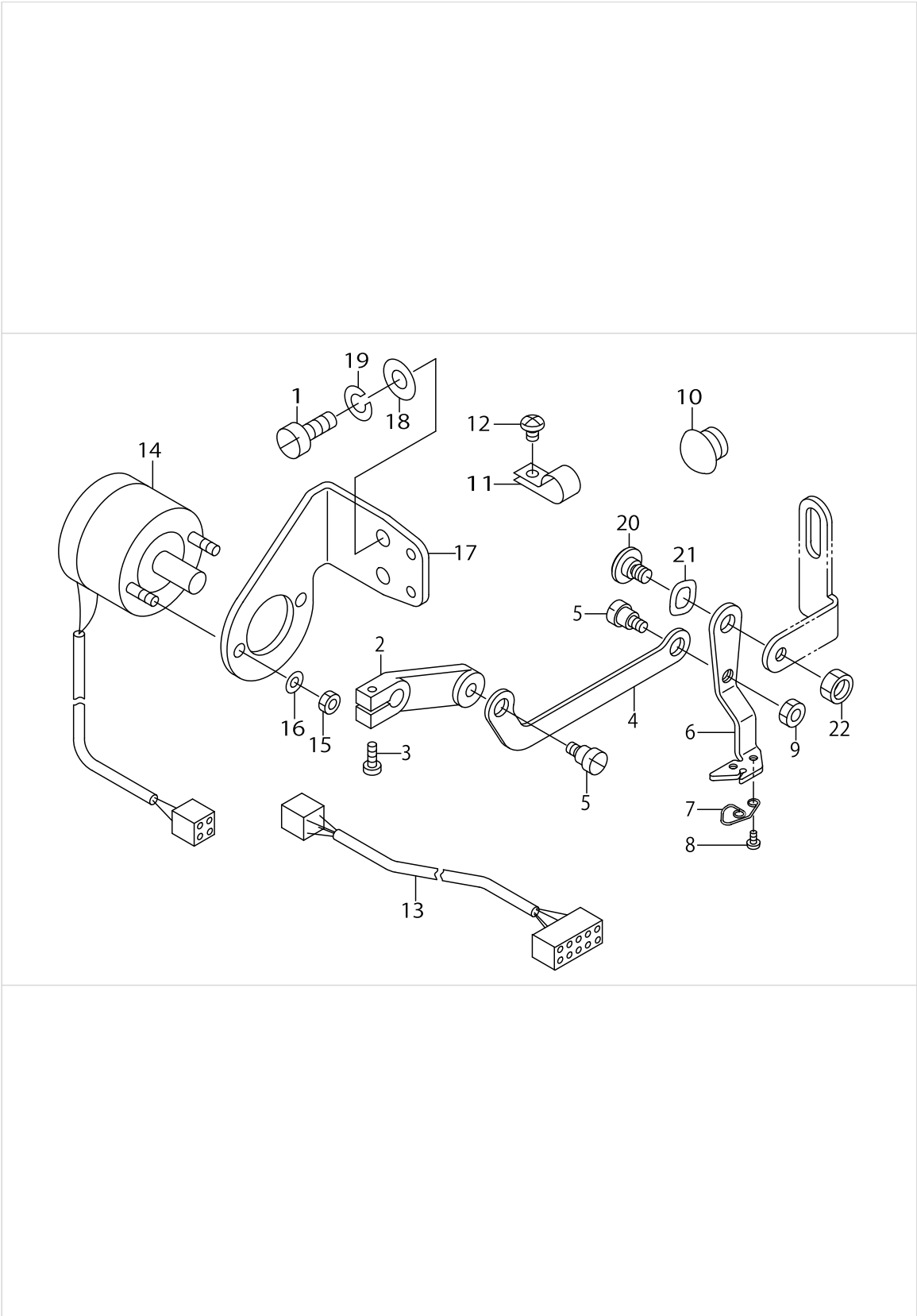
SHAFT COMPONENTS
軸関係



LK-1903SS-31△

No.	Supply Code	Parts No.	Replacement	Parts name	Remarks	Choice	Step	Level	Cons	Qty	Rep. QTY
1		B1114581000		THREAD GUIDE PLATE						1	
2		SS7080510TP		SCREW 1/8-44 L=4.5						1	
3		D1901L7VVB0		THREAD TAKE-UP LEVER ASM.						1	
4		D1904L7VV00		LINK TAKE-UP LEVER PIN, HEAVY						1	
5		D1906L7VV00		SET SCREW						1	
6	D	D1401L7VV00		NEEDLE BAR						1	
7		MDP170B1400		NEEDLE DPX17 #14						1	
8		B23022050A0		TENSION CONTROLLER NO.2 ASM.						1	
9		B55412050A0		THREADING GUIDE ASM.						1	
10		D1405M7WF00		NEEDLE BAR THREAD GUIDE						1	
11		SD0791271SP		HINGE SCREW D= 7.94 H=12.7						1	
12		14147003		SOLENOID LINK						1	
13		13541313		CONNECTING ARM						1	
14		14148407		VERTICAL FEED SHAFT SPRING						1	
15		B185351200E		HOOK SHAFT WASHER						1	
16	R	B2619372000	26028803	STOP MOTION TRIPPING LEVER CAM						1	1.00
17	D	B1208210D00		CRANK BALANCER FIX PLATE						1	
18		SS6121210SP		SCREW 3/16-28 L=12						2	
19		B1207210D00		CRANK BALANCER						1	

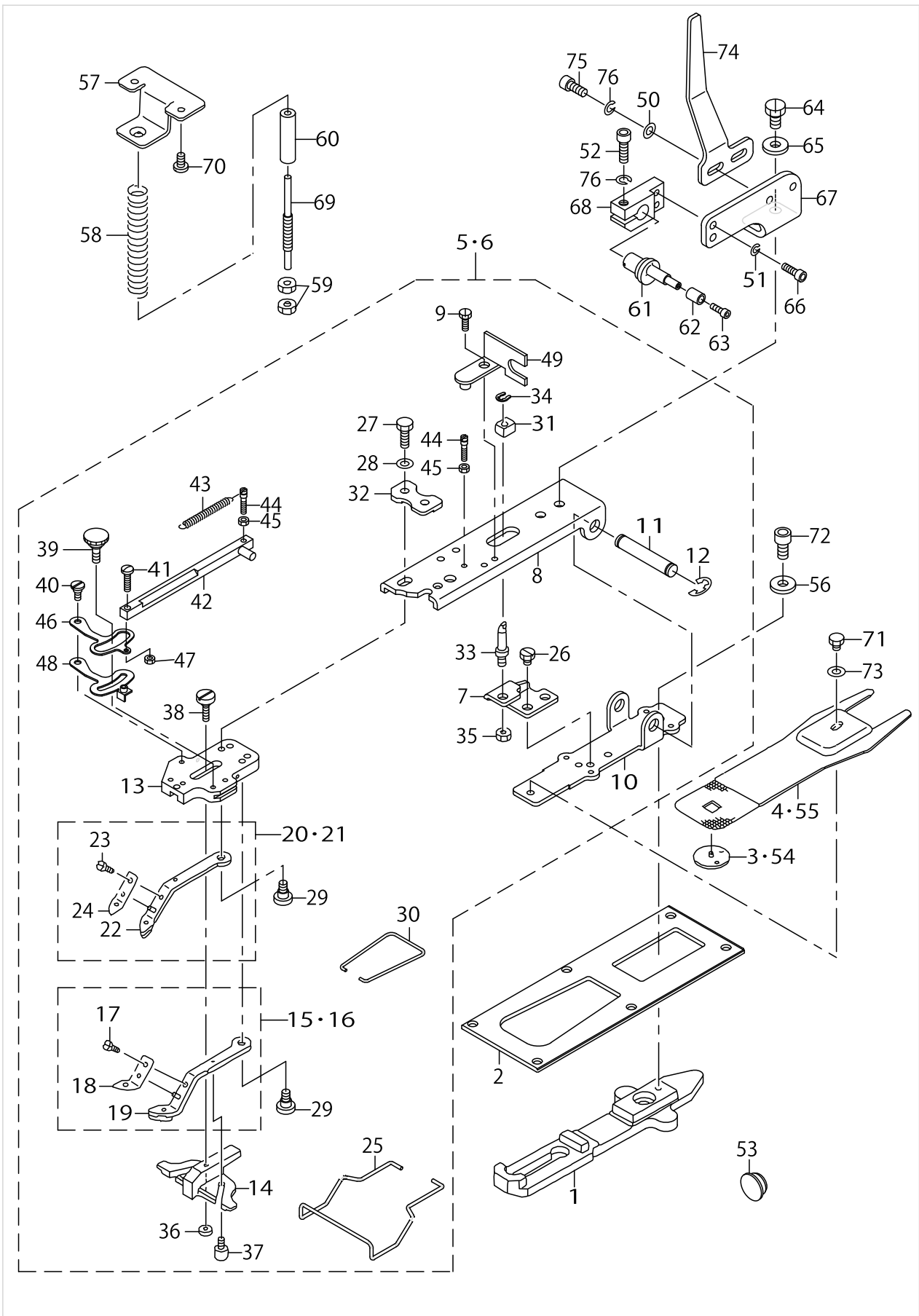
WIPER MECHANISM COMPONENTS



WIPER MECHANISM COMPONENTS

No.	Supply Code	Parts No.	Replacement	Parts name	Remarks	Choice	Step	Level	Cons	Qty	Rep. QTY
1		SS6111010TP		SCREW 11/64-40 L= 9.5						2	
2	D	B2102205000		WIPER ARM.						1	
3		SS6621220SP		SCREW 3/16-32 L=12						1	
4		14147607		WIPER LINK						1	
5		SD0600181TP		HINGE SCREW						2	
6	R	14147508	40009860	WIPER		A				1	1.00
6	R	14147508	40009859	WIPER		A				1	1.00
7		14147805		SPRING						1	
8		SS7060310SP		SCREW 3/32-56 L=3						2	
9		NS6110310SP		NUT 11/64-40						1	
10		TA1250705R0		RUBBER PLUG						1	
11		HX00123000C		CABLE CLIP						3	
12		SS4110615SP		SCREW 11/64-40 L=6						3	
13		14142251		SOLENOID RELAY CABLE ASM.						1	
14		14147755		SOLENOID FOR WIPER ASM.						1	
15		NM6040003SC		NUT M4						2	
16	R	WS0410002KS	WS0410002KN	SPRING WASHER M4						2	1.00
17		13864509		SOLENOID FITTING PLATE						1	
18		WP0450801SD		WASHER 4.5X10X0.8						2	
19		WS0451040KP		SPRING WASHER 4.5X8.5X1						2	
20		SD0640261SP		HINGE SCREW D=3.65 H=2.6						1	
21		WZ0640200KP		WAVE WASHER						1	
22		NS6120310SP		NUT 3/16-28						1	

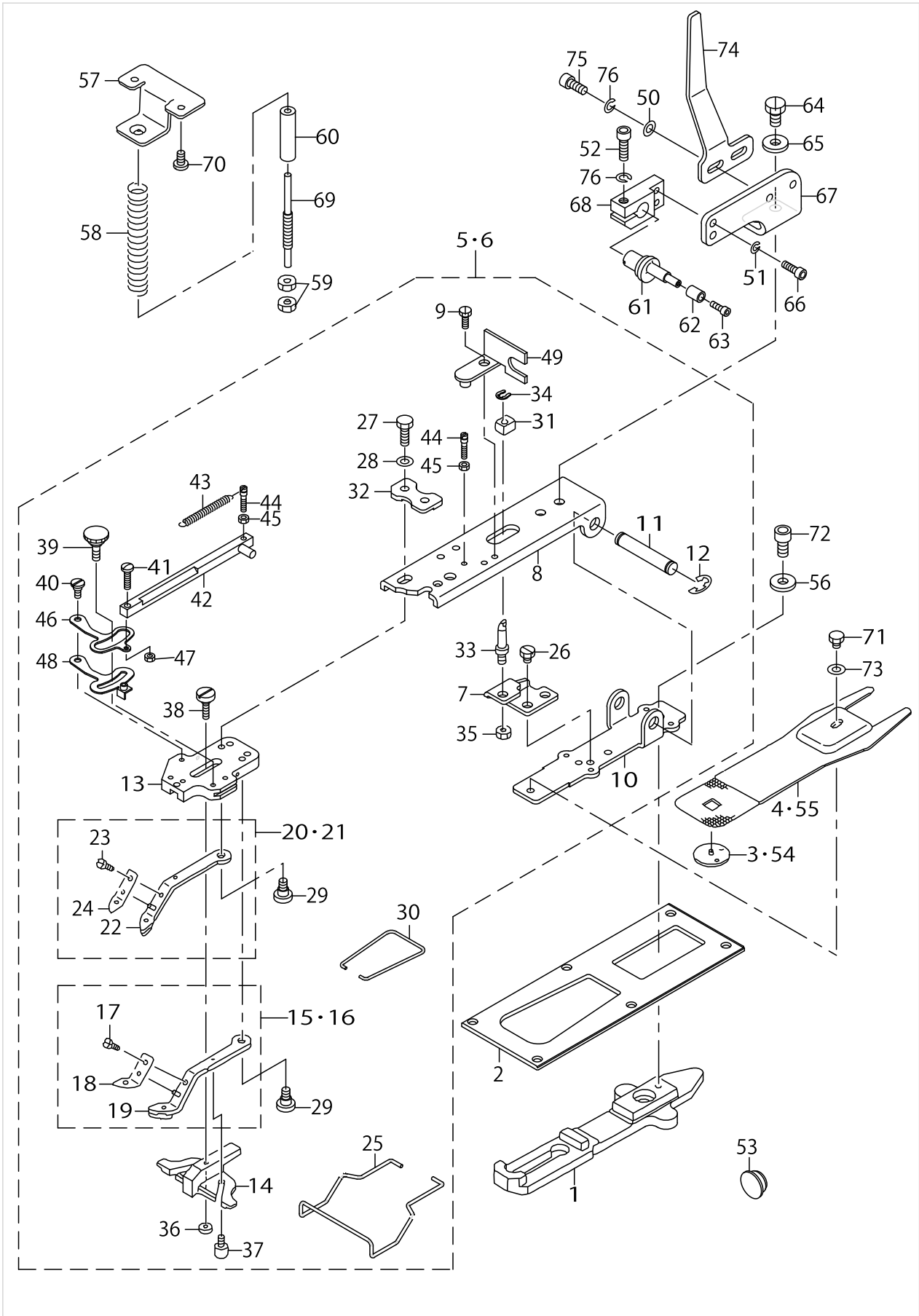
BUTTON CLAMP COMPONENTS



BUTTON CLAMP COMPONENTS

No.	Supply Code	Parts No.	Replacement	Parts name	Remarks	Choice	Step	Level	Cons	Qty	Rep. QTY
1		14145106		CLOTH FEED PLATE						1	
2	R	13517602	26223602	FEED PLATE PRESSER PLATE						1	1.00
3		MAZ15501000		GUIDE	FOR LK-1903-311					1	
4		MAZ15502000		PRESSURE PLATE	FOR LK-1903-311					1	
5		14190052		KNOB DEVICE JUNCTION COMPL.	FOR LK-1903-311					1	
6		14190151		KNOB DEVICE JUNCTION COMPL.	FOR LK-1903-312					1	
7		MAZ15514000		SUPPORT PLATE				*		1	
8		14146203		PICK-UP FOOT INSTALLING BASE				*		1	
9		SS9091010SP		SCREW 9/64-40 L=10				*		1	
10		14146104		PICK-UP INSTALLING BASE				*		1	
11		14141402		INSTALLING SHAFT				*		1	
12		RE0700000K0		E-RING 7				*		2	
13		14146302		PICK-UP FOOT INSTALLING BASE				*		1	
14		MAZ16522000		BUTTONGUIDE FOOT				*		1	
15		14190458		S BUTTON CLAMP JAW LEVER ASM.R	FOR LK-1903-311			*		1	
16		MAZ166070B0		M BUTTON CLAMP JAW LEVER ASM.R	FOR LK-1903-312			*		1	
17		SS7090410SP		SCREW 9/64-40 L=3.5				*		2	
18		MAZ08829000		SPRING, RIGHT				*		1	
19	R	MAZ166070A0	MAZ166070B0	M BUTTON CLAMP JAW LEVER ASM.R				*		1	1.00
20		14190557		S BUTTON CLAMP JAW LEVER ASM.L	FOR LK-1903-311			*		1	
21		MAZ166080B0		KNOB FOOT JUNCTION (LEFT)	FOR LK-1903-312			*		1	
22	R	MAZ166080A0	MAZ166080B0	MIDDLE BUTTON CLAMP LEVER, L				*		1	1.00
23		SS7090410SP		SCREW 9/64-40 L=3.5				*		2	
24		MAZ08828000		SPRING, LEFT				*		1	
25		D3130M1YC00		FINGER GUARD				*		1	
26		SS9110460CP		SCREW 11/64-40 L=4				*		2	
27		SS9621413SP		SCREW 3/16-32 L=13.5				*		2	
28		WP0501016SD		WASHER 5X10.5X1				*		2	
29		SD0640391TP		HINGE SCREW D= 6.35 H= 3.9				*		2	
30		B2561372000		BUTTON CLAMP SPRING				*		1	
31		MAZ15515000		SLIDE BLOCK				*		1	
32		14190300		FITTING BASE PRESSER PLATE				*		1	
33		13540901		STATIONING BLOCK SHAFT				*		1	
34		D2548232D00		SNAP RING, FOR CO- NECTING ROD				*		1	
35		NS6150310SP		NUT 15/64-28				*		1	
36		B2553372000		NUT				*		1	
37		B2560372000		BUTTON CLAMP STOP PIN				*		2	
38		SD0550303TP		HINGE SCREW D=5.5 H=3				*		1	
39	R	B2549372R00	B2549372R00A	CLAMP SCREW A				*		1	1.00
40		SD0500301SP		HINGE SCREW D= 5 H= 3				*		1	
41		SS7091480SP		SCREW 9/64-40 L=13.5				*		1	
42		MAZ088270A0		CLAMP PELEASE LINK ASM.				*		1	
43		GBR01606000		RELEASE RETURN SPRING				*		1	
44		GBR01607000		SPRING HOOK				*		2	

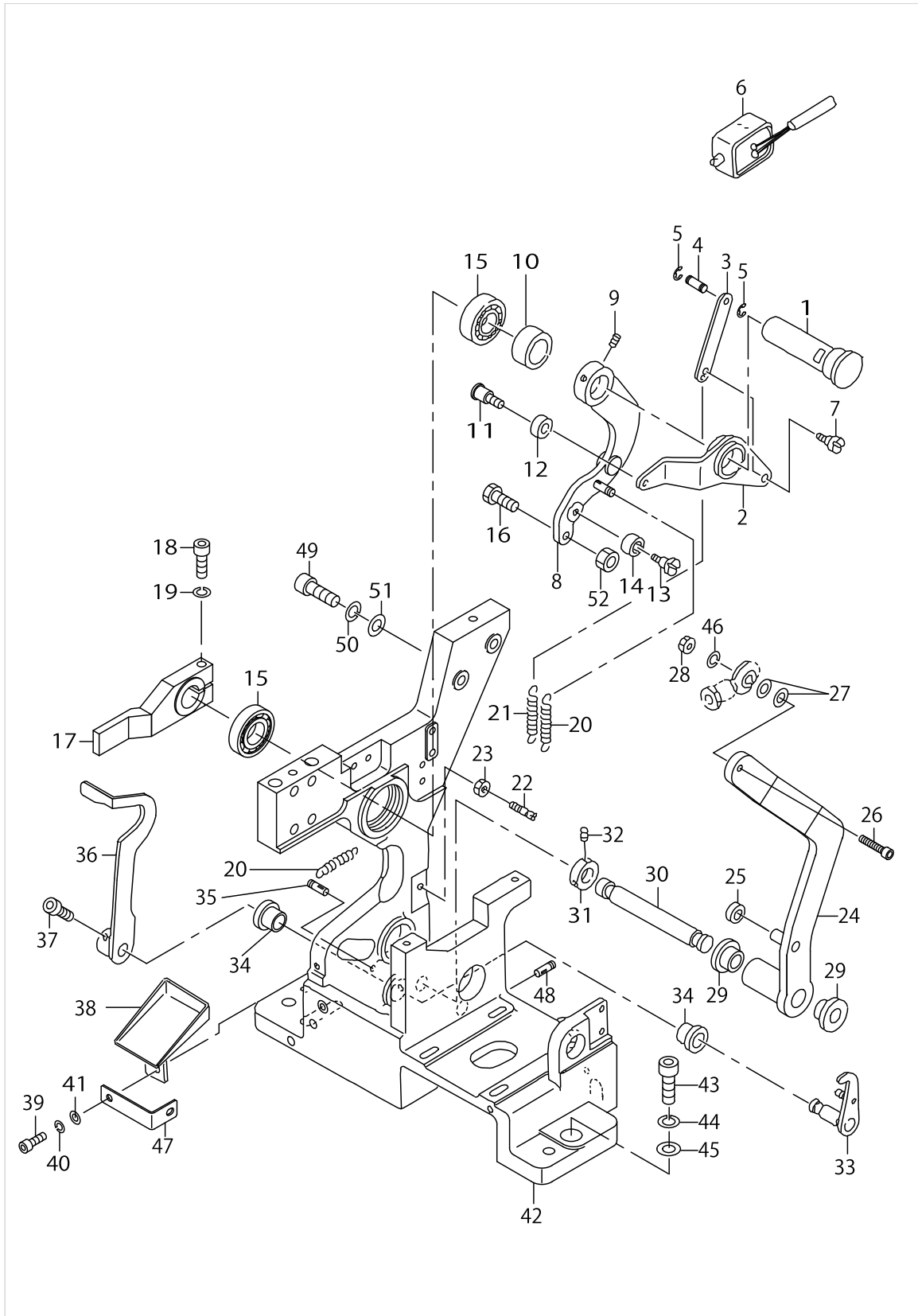
BUTTON CLAMP COMPONENTS



BUTTON CLAMP COMPONENTS

No.	Supply Code	Parts No.	Replacement	Parts name	Remarks	Choice	Step	Level	Cons	Qty	Rep. QTY
45		NS6080210SP		NUT 1/8-44				*		2	
46		GBR01601000A		CLAMP RELEASE LEVER				*		1	
47		NS6090310SP		NUT 9/64-40				*		1	
48	R	B2548372RA0	B2548372R00A	BUTTON CLAMP ST- OP LEVER ASM.				*		1	1.00
49		D2572M1YC0F		LINK SUPPORTING PLATE				*		1	
50		WP0531000SD		WASHER M5						2	
51		WS0410002KN		SPRING WASHER						2	
52		SM6051602TP		SCREW M5X0.8 L=16						1	
53		TA2100904R0		RUBBER PLUG						1	
54		MAZ15601000		GUIDE	FOR LK-1903-312					1	
55		MAZ15602000		PRESSURE PLATE	FOR LK-1903-312					1	
56		WP0612516SD		WASHER 6.1X15.2X2.5						1	
57		13811906		ACCEPT PLATE, UPPER						1	
58		13812003		PRESSURE SPRING						1	
59	R	B3125012000	22928808	THREAD TENSION NUT						2	1.00
60		D2527232D00		SLEEVE						1	
61		18227603		HOOK						1	
62		18200709		BUTTON GAUGE F- OR FOUR HOLES						1	
63		SM6030602TP		SCREW M3X0.5 L=6						1	
64		SS9151120CP		SCREW 15/64-28L=11						2	
65		WP0612516SD		WASHER 6.1X15.2X2.5						2	
66		SM6041202TP		SCREW M4X0.7 L=12						2	
67		GBR25004000		HOLDER BRACKET						1	
68		18209007		HOOK HOLDER						1	
69		14146906		ADJUSTING SHAFT						1	
70		SS7110840SP		SCREW 11/64-40 L=7.8						2	
71		SS9110543CP		SCREW 11/64-40 L=5.3						1	
72		SM6061202TP		SCREW M6 L=12						1	
73		WP0501016SD		WASHER 5X10.5X1						1	
74		GBR25003000		LIFTING ACTUATING PLATE						1	
75		SM6051202TP		SCREW M5X0.8 L=12						2	
76		WS0510002KP		SPRING WASHER 5.1X9.2X1.3						3	

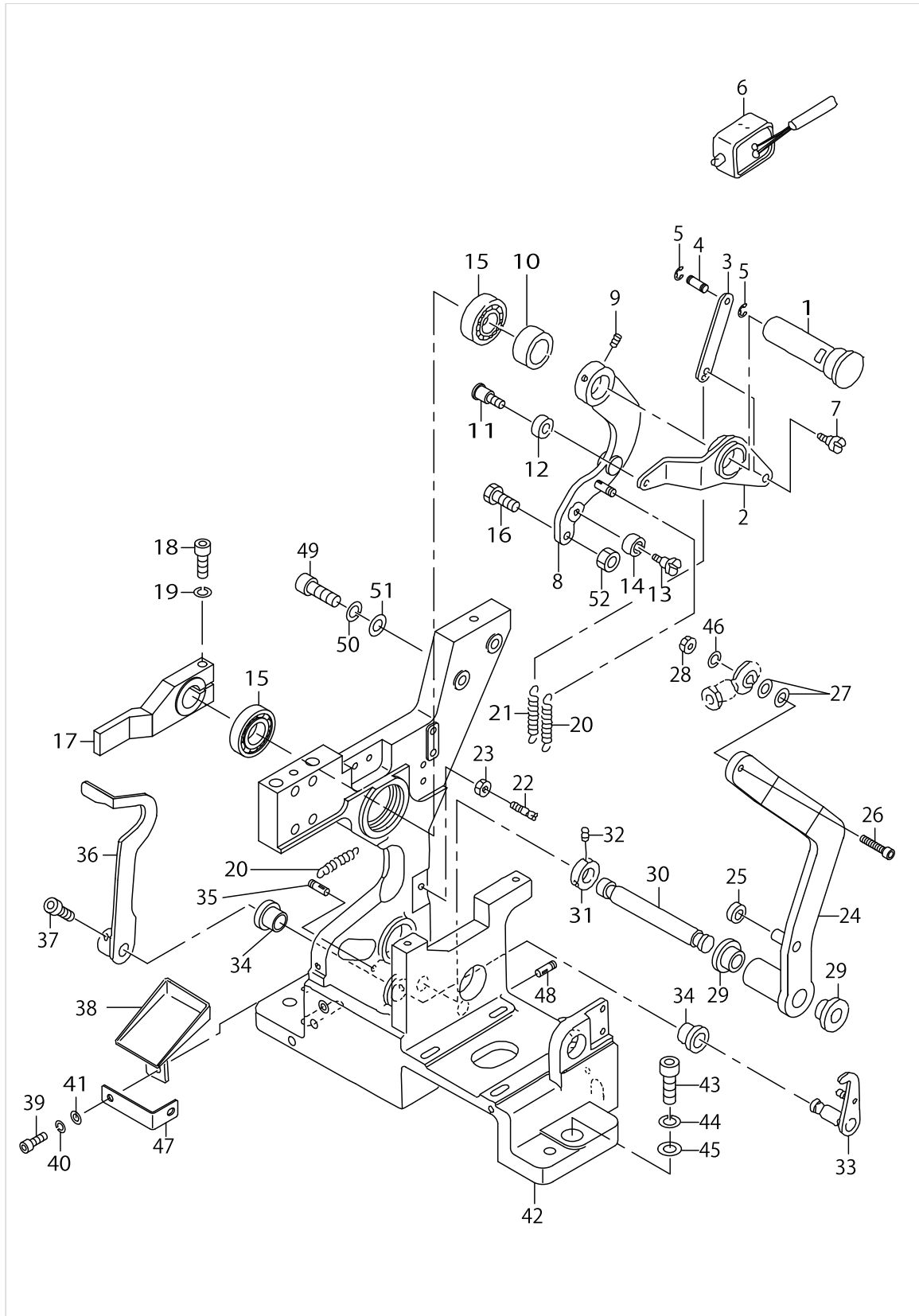
FINE POSITIN OF BUTTONS COMPONENTS (1)



FINE POSITIN OF BUTTONS COMPONENTS (1)

No.	Supply Code	Parts No.	Replacement	Parts name	Remarks	Choice	Step	Level	Cons	Qty	Rep. QTY
1		16552507		ARM SHAFT						1	
2		18219709		RUBBING UP-AND-DOWN LEVER						1	
3		18218206		RUBBING UP-AND-DOWN LINK						1	
4		16557209		PIN						1	
5		RE0200000K0		E-RING						2	
6		GBR10852000		MAGNET						1	
7		SD0600341TP		HINGE SCREW D=6.0 H=3.4						1	
8		18227850		UP AND DOWN LEVER ASM.						1	
9		SM8050602TP		SCREW M5 L=6						2	
10		16552606		THRUST COLLAR						1	
11		SD0600401TP		HINGE SCREW D= 6 H= 4						1	
12		18219808		RUBBING ROLLER						1	
13		SD0601021SP		HINGE SCREW D=6 H=10.2						1	
14		16556706		BEARING						1	
15		SB115000400		RADIAL BEARING						2	
16		SM6063002TP		SCREW M6 L=30						1	
17		18207902		UP AND DOWN ARM						1	
18		SM6052502TP		SCREW M5X0.8 L=25						1	
19		WS0510002KN		SPRING WASHER						1	
20		16554008		SPRING						2	
21		16553208		SPRING						1	
22		16553307		HOOK						1	
23		NM6050001SC		NUT M5						1	
24		18206706		TURNING LEVER						1	
25		16556805		COLLAR						1	
26		SM6042002TP		SCREW M4X0.7 L=20						1	
27		WP0430800SC		WASHER M4						2	
28		NM6040001SC		NUT M4						1	
29		16557506		LEVER SHAFT METAL						2	
30		16554503		SHAFT						1	
31		16559007		BASE A (BR-10)						1	
32		SM8040602TP		SCREW M4X0.7 L=6						2	
33		18217752		CLAMP RELEASE ASM.						1	
34		16557605		SHAFT BUSHING						2	
35		18219006		DW PIN 4*14						1	
36		18206904		CLAMPRELEASEARM						1	
37		SM6050802TP		SCREW M5X0.8 L=8						2	
38		16550105		SUPPORT PLATE						1	
39		SM6040802TR		SCREW M4X0.7 L=8						1	
40		WS0410002KN		SPRING WASHER						1	
41		WP0430800SC		WASHER M4						1	
42		18227702		MAIN BODY						1	
43		SM6063002TP		SCREW M6 L=30						3	
44		WS0610002KN		SPRING WASHER 6.1X12.2X1.5						3	
45		16559601		WASHER						3	
46		WS0410002KN		SPRING WASHER						1	

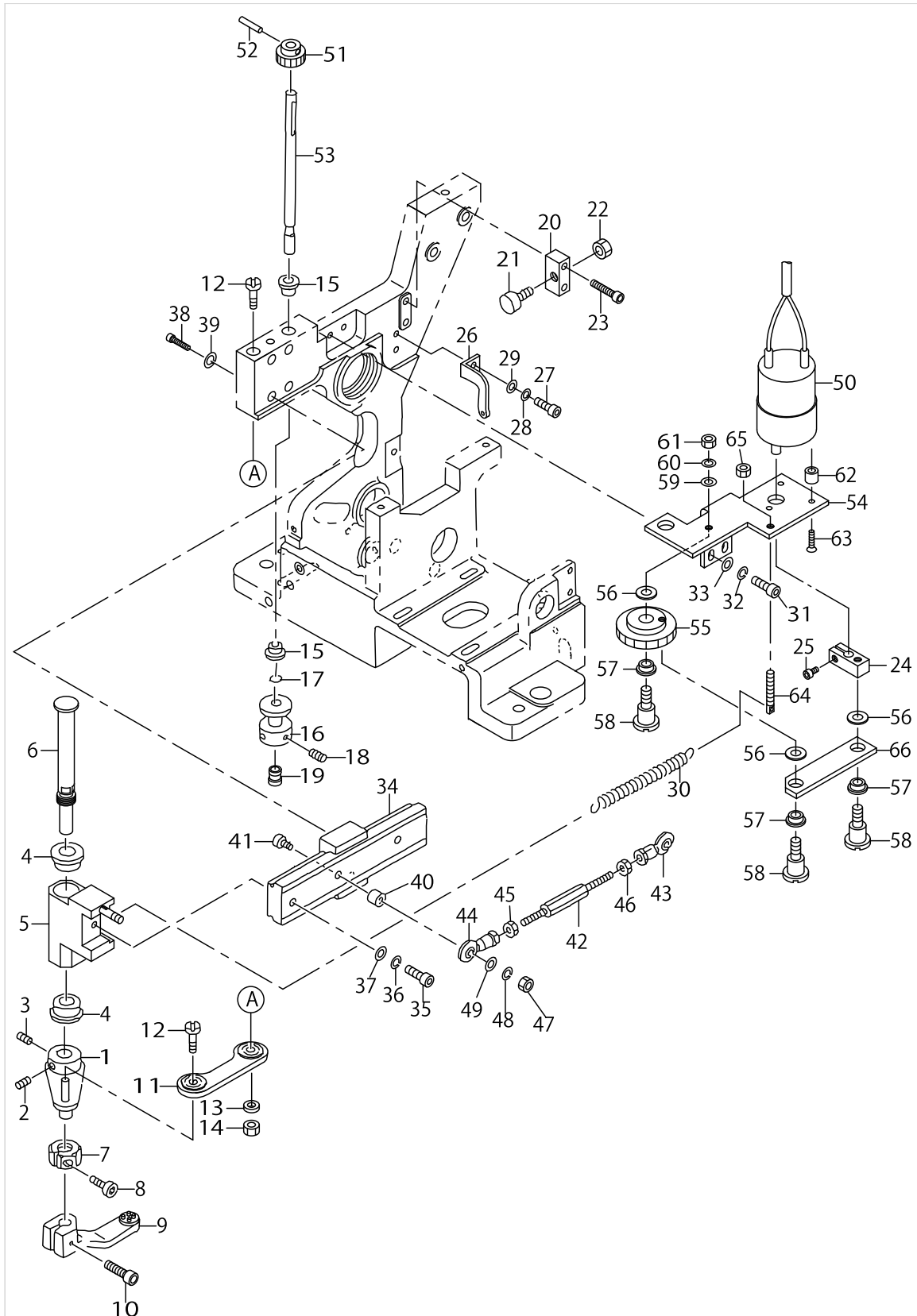
FINE POSITIN OF BUTTONS COMPONENTS (1)



FINE POSITIN OF BUTTONS COMPONENTS (1)

No.	Supply Code	Parts No.	Replacement	Parts name	Remarks	Choice	Step	Level	Cons	Qty	Rep. QTY
47		GBR25005000		CAM FIXING PLATE						1	
48		SM8050502TP		SCREW M5 L=5						1	
49		SM6031402TP		SCREW						2	
50		WS0310002KN		SPRING WASHER M3						2	
51		WP0320500SC		WASHER M3						2	
52		18219402		M6 NUT						1	

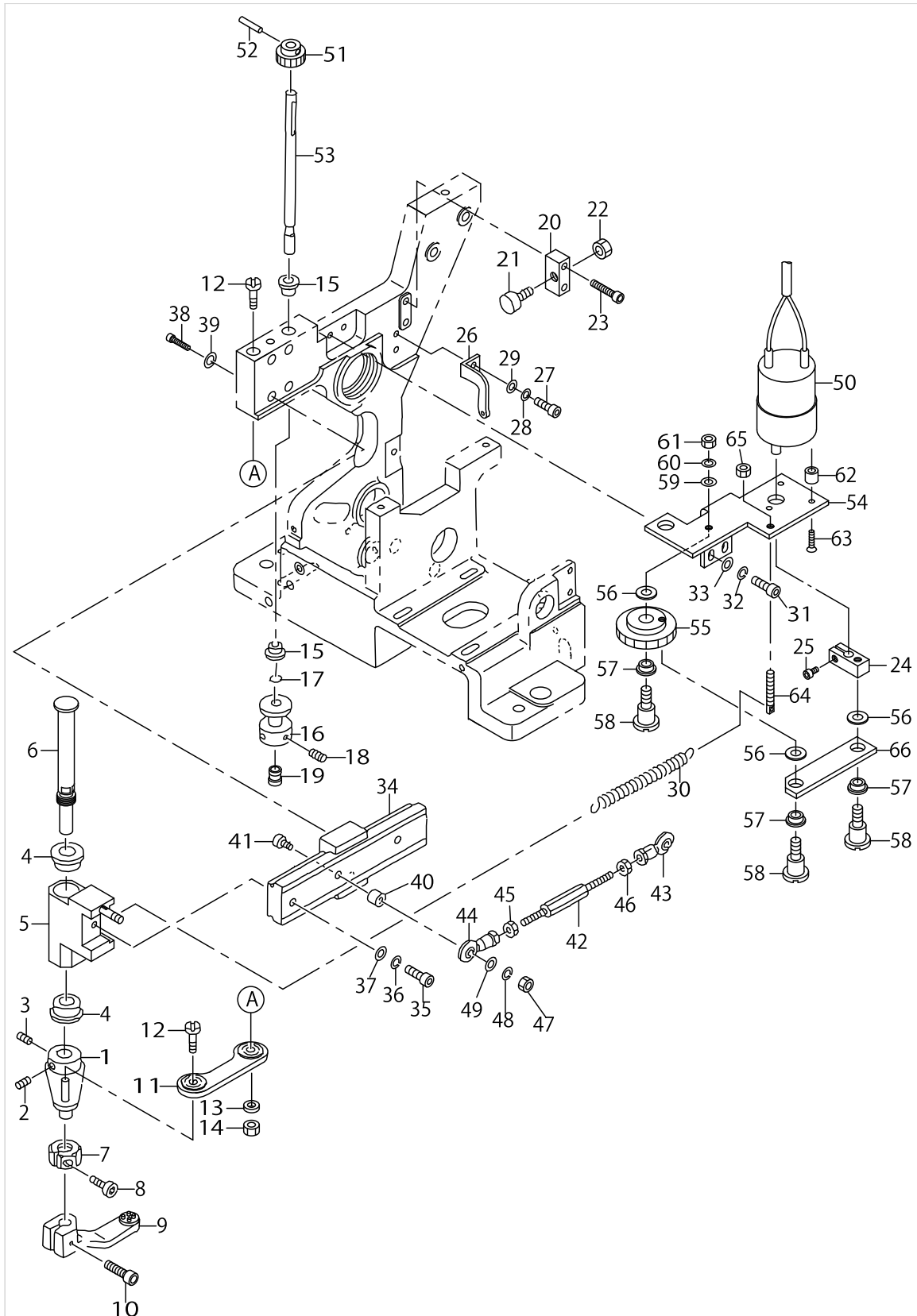
FINE POSITIN OF BUTTONS COMPONENTS (2)



FINE POSITIN OF BUTTONS COMPONENTS (2)

No.	Supply Code	Parts No.	Replacement	Parts name	Remarks	Choice	Step	Level	Cons	Qty	Rep. QTY
1		18206003		TURNING LEVER BOSS						1	
2		SM8050602TP		SCREW M5 L=6						1	
3		SM8050502TP		SCREW M5 L=5						1	
4		16557407		ARM SHAFT METAL						2	
5		18227959		TURNING HEAD ASM.						1	
6		18205906		TURNING SHAFT						1	
7		18206409		STOPPER						1	
8		SM6031202TP		SCREW M3X0.5 L=12						1	
9		16557902		BUTTON CARRIER A						1	
10		SM6051802TP		SCREW M5 L=18						1	
11		18206656		CONNECTING PLATE ASM.						1	
12		18205708		SCREW						2	
13	R	WS0510002KS	WS0510002KR	SPRING WASHER M5						1	1.00
14		NM6050001SC		NUT M5						1	
15		16557308		METAL						2	
16		16551905		HOOK						1	
17		16558801		O-RING						1	
18		SM8040602TP		SCREW M4X0.7 L=6						2	
19		18200501		WORK ATTACHMENT (SMALL)						1	
20		18218800		STOPPER HOLDER						1	
21		16552309		STOPPER						1	
22		NM6040001SC		NUT M4						1	
23		SM6042002TP		SCREW M4X0.7 L=20						2	
24		GBR11112000		DRIVING ARM						1	
25		SM6030602TP		SCREW M3X0.5 L=6						1	
26		18205401		SPRING HOOK						1	
27		SM6040802TR		SCREW M4X0.7 L=8						2	
28		WS0410002KN		SPRING WASHER						2	
29		WP0430800SC		WASHER M4						2	
30		16551806		SPRING						1	
31		SM6041002TP		SCREW M4 L=10						2	
32		WS0410002KN		SPRING WASHER						2	
33		WP0430800SC		WASHER M4						2	
34		16556607		LM GUIDE						1	
35		SM6041402TP		SCREW M4 L=14						1	
36		WS0410002KN		SPRING WASHER						1	
37		WP0430800SC		WASHER M4						1	
38		SM6031402TP		SCREW						4	
39		WS0310002KN		SPRING WASHER M3						4	
40		16550402		COLLAR B						1	
41		SM6042502TP		SCREW M4X0.7 L=25						1	
42		16550204		CONNECTING ROD						1	
43		16556409		ROD END						1	
44		16556300		ROD END						1	
45		NM6040001SC		NUT M4						1	
46		GBR01175000		ROD END NUT, LEFT						1	

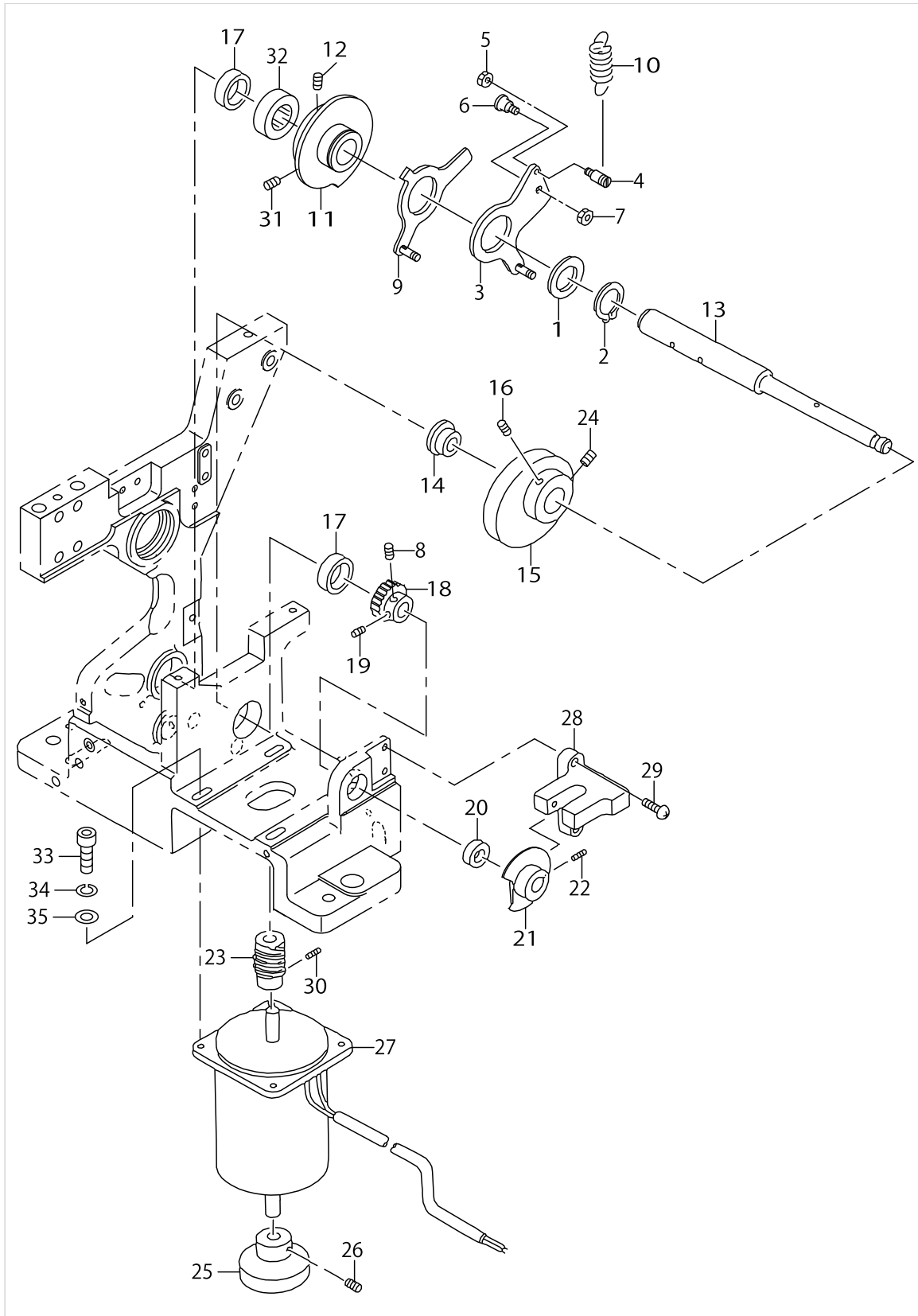
FINE POSITIN OF BUTTONS COMPONENTS (2)



FINE POSITIN OF BUTTONS COMPONENTS (2)

No.	Supply Code	Parts No.	Replacement	Parts name	Remarks	Choice	Step	Level	Cons	Qty	Rep. QTY
47		NM6040001SC		NUT M4						1	
48		WS0410002KN		SPRING WASHER						1	
49		WP0430800SC		WASHER M4						1	
50		GBR108550A0		DC MOTOR ASM.						1	
51		GBR11110000		PINION, A						1	
52		PH0300125S0		PIN						1	
53		18206201		ROTATING ROD						1	
54		GBR111109000		BRACKET						1	
55		GBR11111000		PINION, B						1	
56		GBR11114000		WASHER						3	
57		E5006171000		PS BEARING						3	
58		SD0600651TP		HINGE SCREW						3	
59		WP0430801SC		WASHER 4.3X9X0.8						1	
60		WS0410002KN		SPRING WASHER						1	
61		NS6110360SP		NUT						1	
62	R	11110707	22956205	WIPER HINGE SCREW COLLAR						3	1.00
63	R	SM1031401SC	SM1031401SN	SCREW M3X0.5 L=14						3	1.00
64	R	B1649161000	26226506	TENSION SPRING A-DJUSTING SCREW						1	1.00
65		NS6110360SP		NUT						1	
66		GBR11113000		LINK						1	

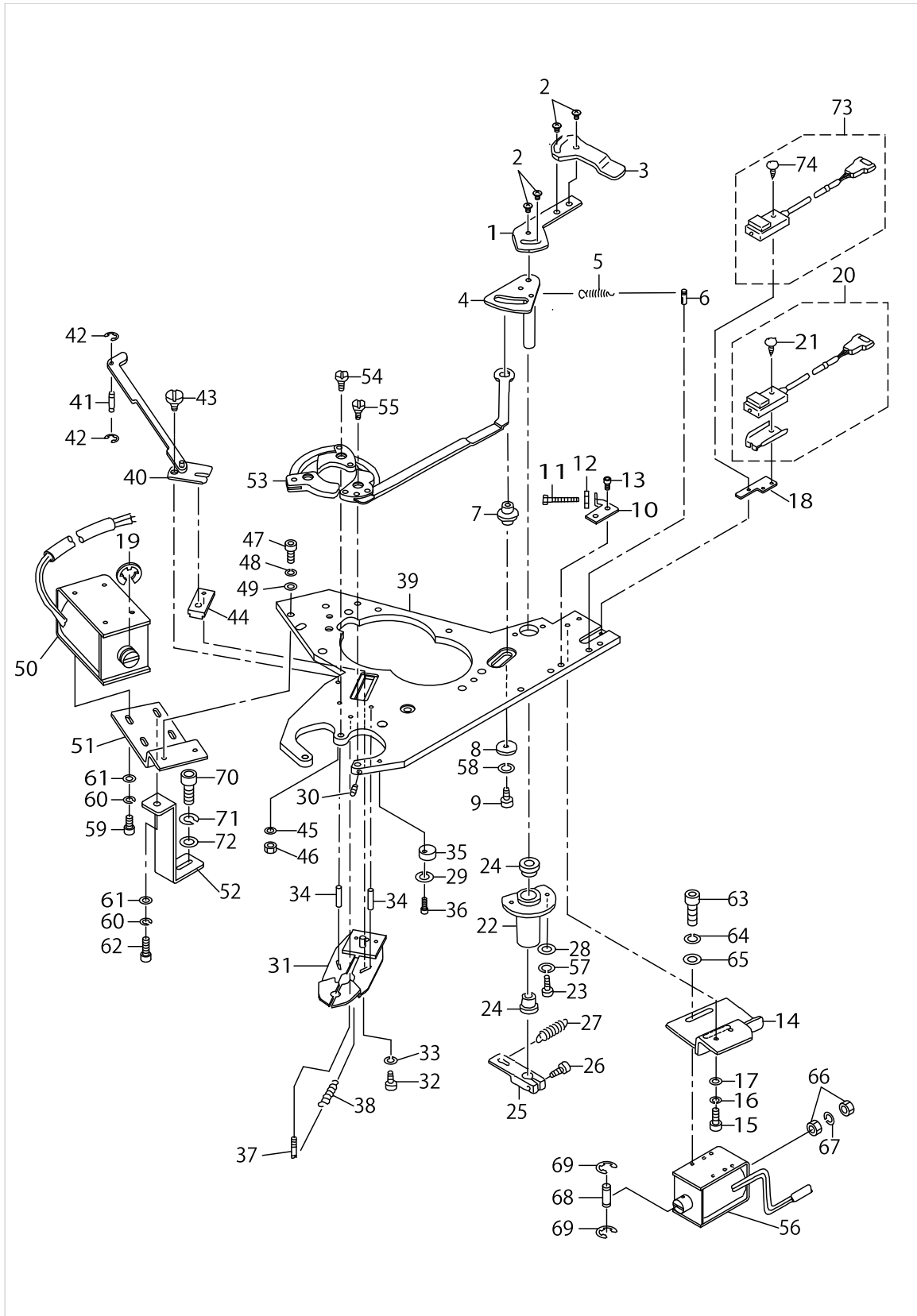
DRIVE CAM COMPONENTS



DRIVE CAM COMPONENTS

No.	Supply Code	Parts No.	Replacement	Parts name	Remarks	Choice	Step	Level	Cons	Qty	Rep. QTY
1	D	GBR01120000		COLLAR						1	
2		RC2500001KP		RETAINING RING 25						1	
3	D	18217950		START TIMING CAM ASM.						1	
4		16562803		HOOK						1	
5		NM6040001SC		NUT M4						1	
6		16562902		HINGE SCREW						1	
7		NM6050001SC		NUT M5						1	
8		SM8050602TP		SCREW M5 L=6						1	
9	D	18227553		HOLDING CLAMP DRIVE CAM ASM.						1	
10		B1426771000		SPRING						1	
11		18207209		DOUBLE CAM						1	
12		SM8050612TP		SCREW M5X6						1	
13		18207506		CAM SHAFT						1	
14		16560104		CAMSHAFTCOLLAR1						1	
15		16561607		SPINNER OSCILLATING ARM CAM						1	
16		SM8050812TP		SCREW M5X8						1	
17		GBR01168000		NEEDLE BEARING 3						2	
18		16562001		WORM WHEEL						1	
19		16562407		SCREW						1	
20		16562308		NEEDLE BEARING						1	
21		16560302		SENSOR DOCK						1	
22		SM8040602TP		SCREW M4X0.7 L=6						1	
23		16562100		WORM GEAR						1	
24		SM8050842TP		SETSCREW						1	
25		16561904		MOTOR KNOB						1	
26		SM8050602TP		SCREW M5 L=6						1	
27	R	GBR108590A0	HM000670000	DC MOTOR ASM.						1	1.00
28	D	HD000360000		PHOTO MICRO SENSOR						1	
29		SL4031081SC		SCREW M3 X 10						2	
30		SM8040402TP		SCREW M4X0.7 L=4						2	
31		SM8050842TP		SETSCREW						1	
32		16560203		CAMSHAFTCOLLAR2						1	
33		SM6062002TP		SCREW M6 L=20						4	
34		WS0610002KN		SPRING WASHER 6.1X12.2X1.5						4	
35		WP0641600SC		WASHEW6.4X12.5X1.6						4	

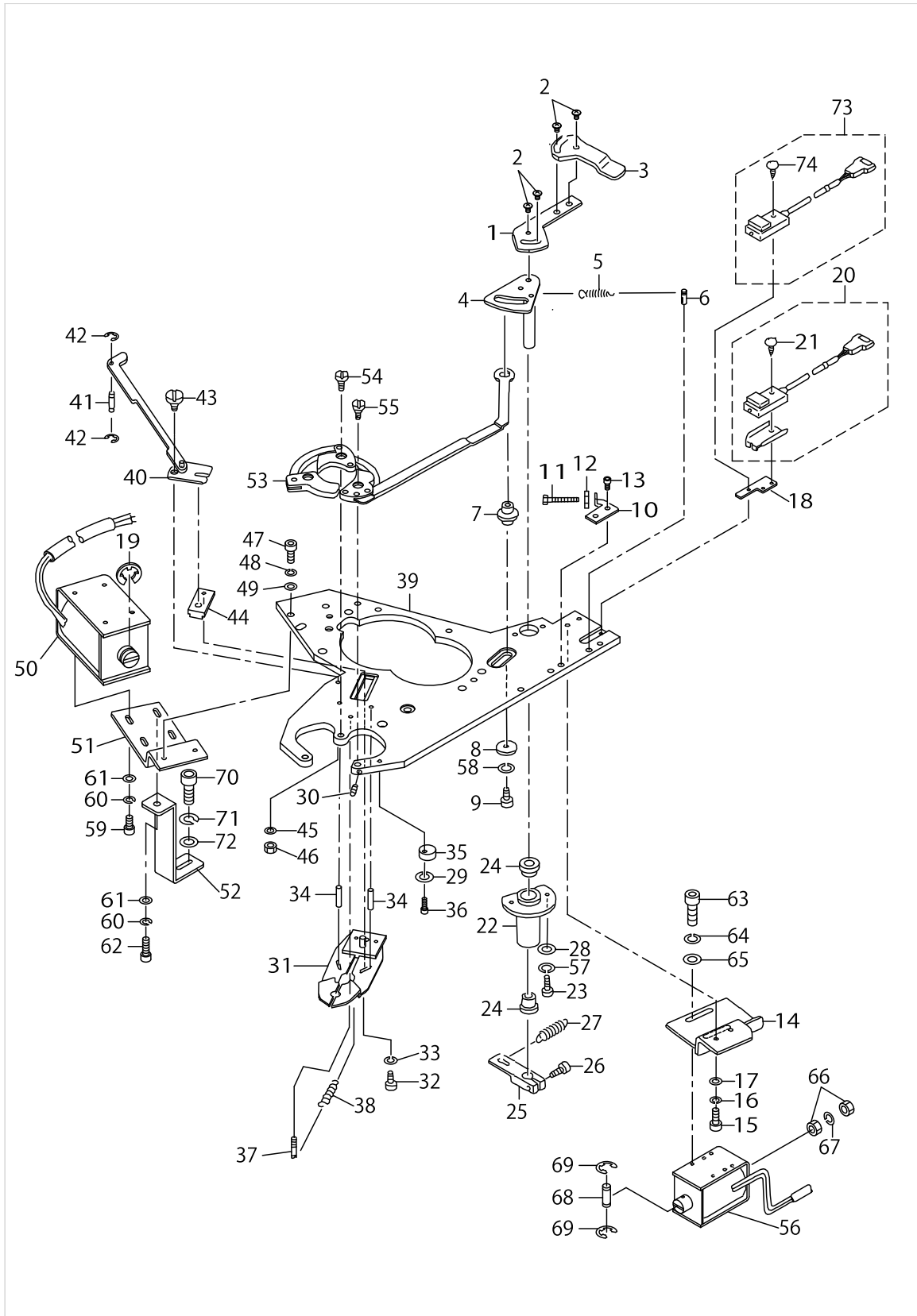
INDEX COMPONENTS (1)



INDEX COMPONENTS (1)

No.	Supply Code	Parts No.	Replacement	Parts name	Remarks	Choice	Step	Level	Cons	Qty	Rep. QTY
1		16566507		CHECK DOG						1	
2		SM0040601SC		SCREW M4X0.7 L=6						4	
3		16574105		DOG						1	
4		16566002		SPINNER CAM						1	
5		16553208		SPRING						1	
6		18218909		DW PIN 4*12						1	
7		16565707		SHAFT (1)						1	
8		B2107816000		WASHER						1	
9		SM6041002TP		SCREW M4 L=10						1	
10	D	16566606		STOPPER BKT						1	
11		SM8042502TP		SCREW M4X0.7 L=25						1	
12		NM6040001SC		NUT M4						1	
13		SM6040802TR		SCREW M4X0.7 L=8						2	
14	D	16567000		BRACKET (1)						1	
15		SM6041002TP		SCREW M4 L=10						2	
16		WS0410002KN		SPRING WASHER						2	
17		WP0430800SC		WASHER M4						2	
18		16574006		BRACKET						1	
19		RE1200000K0		E-RING 12						1	
20		GBR108430A0		RUB COMPLETION SWITCH ASM.						1	
21	D	SM0861201SA		SCREW				*		1	
22		16565905		CUPLING						1	
23		SM6041002TP		SCREW M4 L=10						2	
24		16572406		METAL						2	
25		16566408		LINK LEVER						1	
26		SM6041202TP		SCREW M4X0.7 L=12						1	
27		18201608		SPRING, 2						1	
28		WP0430800SC		WASHER M4						2	
29		WP0430800SC		WASHER M4						1	
30		SM8030402TP		SCREW M3X0.5 L=4						1	
31		16567166		SHUTTER PLATE ASM.						1	
32		SM6041202TP		SCREW M4X0.7 L=12						1	
33		WS0410002KN		SPRING WASHER						1	
34		18204107		PIN						2	
35		18209502		ECCENTRIC STOPPER						1	
36		SM6041202TP		SCREW M4X0.7 L=12						1	
37		18219204		DW PIN 4*18						1	
38		16554008		SPRING						1	
39		18217505		TOP PLATE						1	
40		16567802		LINK PLATE						1	
41		16572505		PIN						1	
42		RE0250000K0		E-RING 2.5						2	
43		16567901		HING SCREW						1	
44		16573305		SLIDER BLOCK						1	
45		WS0410002KN		SPRING WASHER						1	
46		NM6040001SC		NUT M4						2	

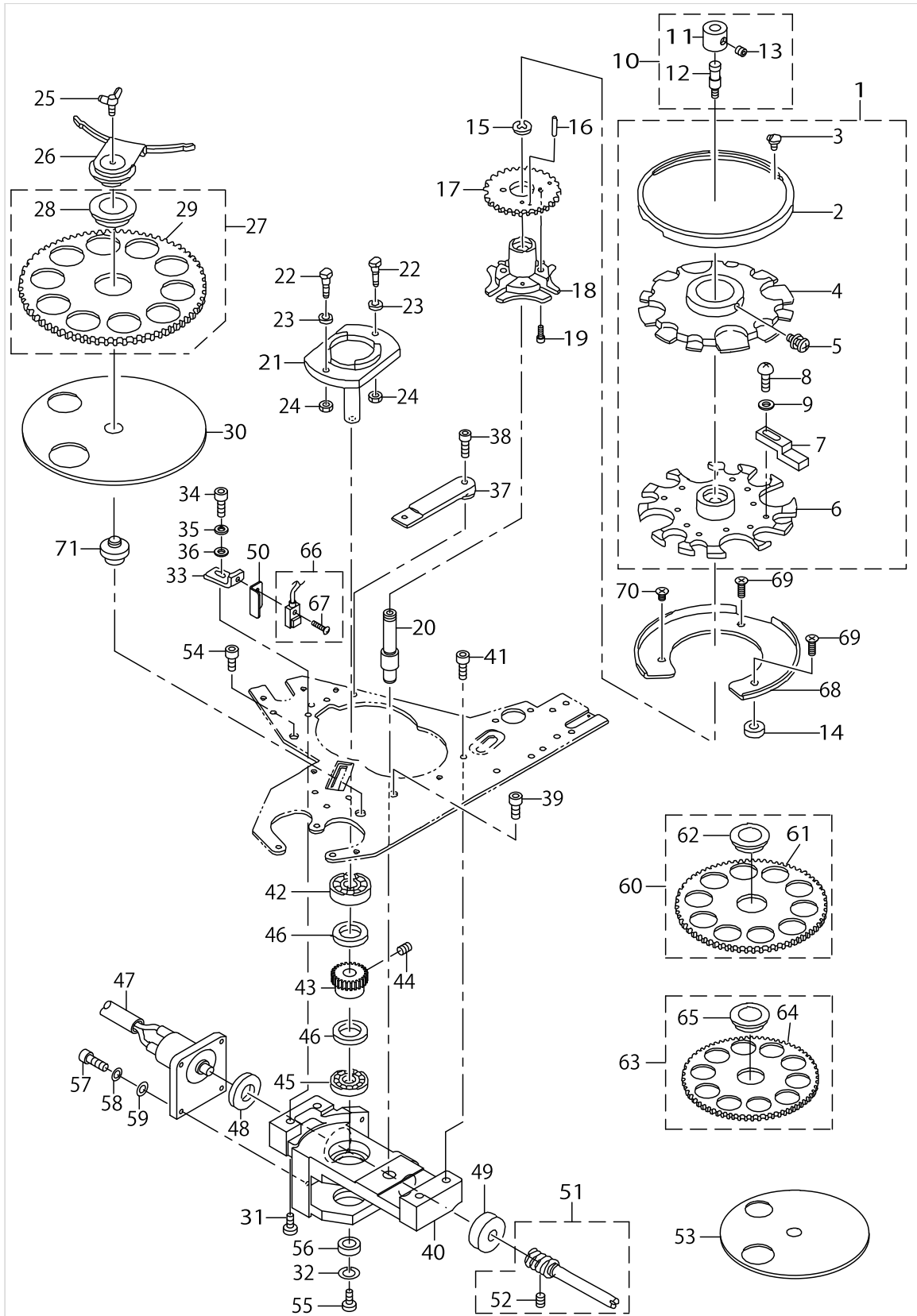
INDEX COMPONENTS (1)



INDEX COMPONENTS (1)

No.	Supply Code	Parts No.	Replacement	Parts name	Remarks	Choice	Step	Level	Cons	Qty	Rep. QTY
47		SM6041002TP		SCREW M4 L=10						2	
48		WS0410002KN		SPRING WASHER						2	
49		WP0430800SC		WASHER M4						2	
50		GBR10853000		MAGNET						1	
51		16568206		BRACKET (2)						1	
52		18209403		SUPPORT PLATE						1	
53		18202150		CHECK ASM., A						1	
54		16565400		HING PIN (2)						2	
55		16565509		HING PIN (1)						1	
56		GBR10854000		MAGNET						1	
57		WS0410002KN		SPRING WASHER						2	
58		WS0410002KN		SPRING WASHER						1	
59		SM6040802TP		SCREW M4X0.7 L=8						3	
60		WS0410002KN		SPRING WASHER						4	
61		WP0430800SC		WASHER M4						4	
62		SM6041202TP		SCREW M4X0.7 L=12						1	
63		SM6040802TP		SCREW M4X0.7 L=8						2	
64		WS0410002KN		SPRING WASHER						2	
65		WP0430800SC		WASHER M4						2	
66		NM6040001SC		NUT M4						2	
67		WS0410002KN		SPRING WASHER						1	
68		16557209		PIN						1	
69		RE0200000K0		E-RING						2	
70		SM6061602TP		SCREW M6 L=16						1	
71		WS0610002KN		SPRING WASHER 6.1X12.2X1.5						1	
72		WP0641600SC		WASHEW6.4X12.5X1.6						1	
73		GBR108440A0		BUTTON SENSOR SWITCH ASM.						1	
74	D	SM0861201SA		SCREW				*		1	

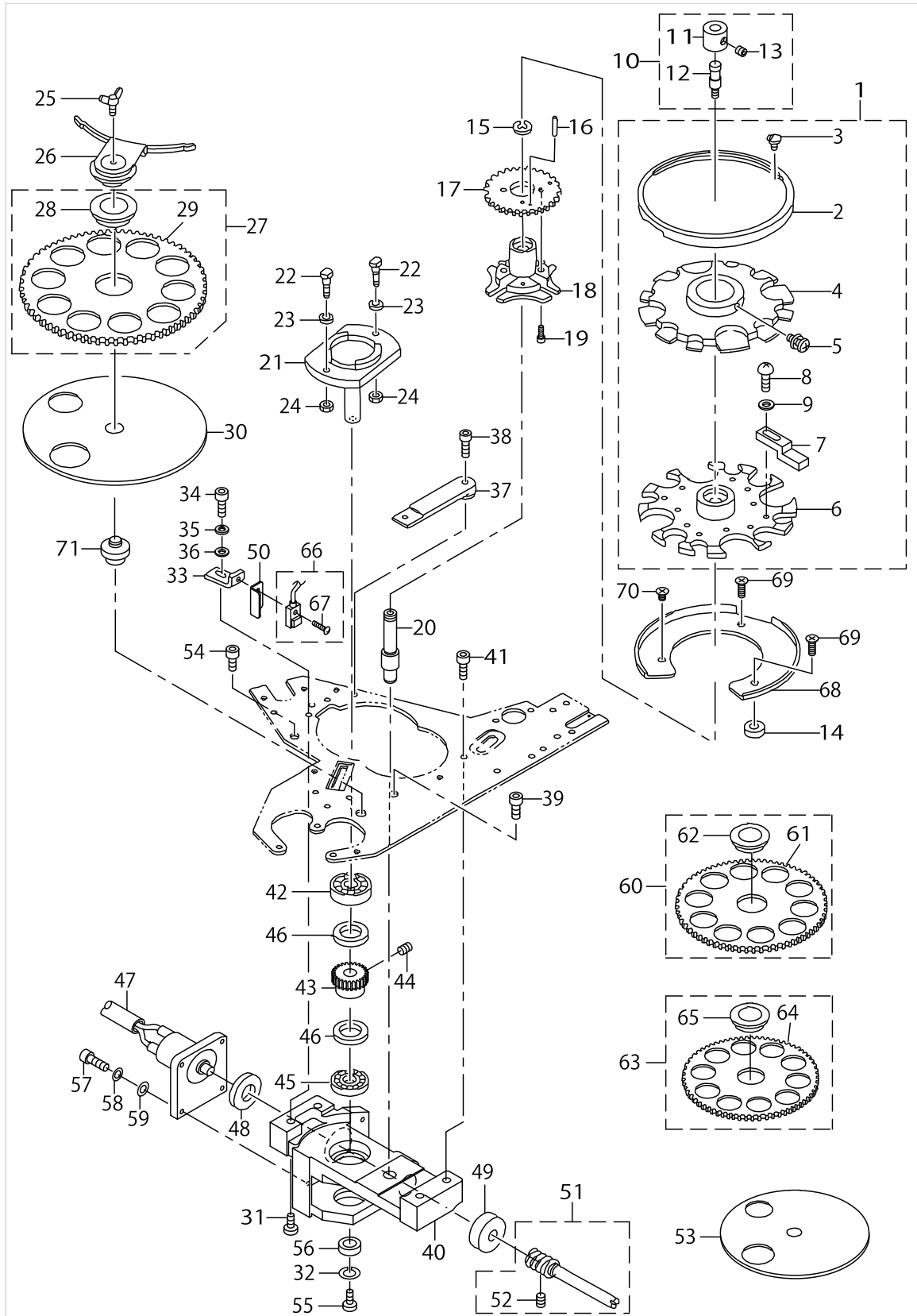
INDEX COMPONENTS (2)



INDEX COMPONENTS (2)

No.	Supply Code	Parts No.	Replacement	Parts name	Remarks	Choice	Step	Level	Cons	Qty	Rep. QTY
1	R	18201962	40163503	FEED ACROSS PLATE ASM. A						1	1.00
2		16573701		RING				*		1	
3		SM0040601SC		SCREW M4X0.7 L=6				*		2	
4	R	18203307	40163420	ADJUSTING PLATE				*		1	1.00
5		SL4030881SC		SCREW M3X8				*		1	
6	R	18201905	40163419	FEED PLATE A				*		1	1.00
7		18202002		BUTTON ADJUST A				*		8	
8		SM4860501SC		SCREW M 2.6 X 5				*		8	
9		WP0280500SC		WASHER				*		8	
10		18213454		LOCK SCREW ASM.						1	
11		18213405		LOCK COLLAR				*		1	
12		18213504		LOCK SHAFT				*		1	
13		SM8050502TP		SCREW M5 L=5				*		1	
14		16573008		COLLAR						2	
15		16571903		CLIP						1	
16		PH0300185S0		PIN						1	
17		16569600		GEAR						1	
18		16569501		GENEVA						1	
19		SM6030802TP		SCREW M3X0.5 L=8						2	
20		18219501		DIVIDING MAIN SHAFT						1	
21		16570103		WHEEL						1	
22		16570202		SCREW						2	
23		16570301		COLLAR						2	
24		NM6040001SC		NUT M4						2	
25		18204503		WING BOLT						1	
26		16568909		COVER CAP						1	
27		18200352		FEED PLATE CIRCLE 16 ASM.	FOR SMAL- L-SIZED BUTTON					1	
28		16572703		METAL				*		1	
29		18200303		FEED PLATE 16				*		1	
30		16568404		FERRULE DISC						1	
31		SM6052002TP		SCREW M5 L=20						1	
32		WS0410002KN		SPRING WASHER						1	
33		16570707		SENSOR BRACKET						1	
34		SM6040802TR		SCREW M4X0.7 L=8						1	
35		WS0410002KN		SPRING WASHER						1	
36		WP0430800SC		WASHER M4						1	
37		16570905		STAND PLATE (1)						1	
38		SM6041202TP		SCREW M4X0.7 L=12						1	
39		SM6051202TP		SCREW M5X0.8 L=12						1	
40		18219600		GENEVA HOUSE						1	
41		SM6051602TP		SCREW M5X0.8 L=16						3	
42		SB110000400		BALL BEARING						1	
43	R	16571507	16562001	WORM WHEEL						1	1.00
44		SM8050842TP		SETSCREW						2	
45		16571804		BEARING A						1	
46		16573909		THRUST COLLAR						2	

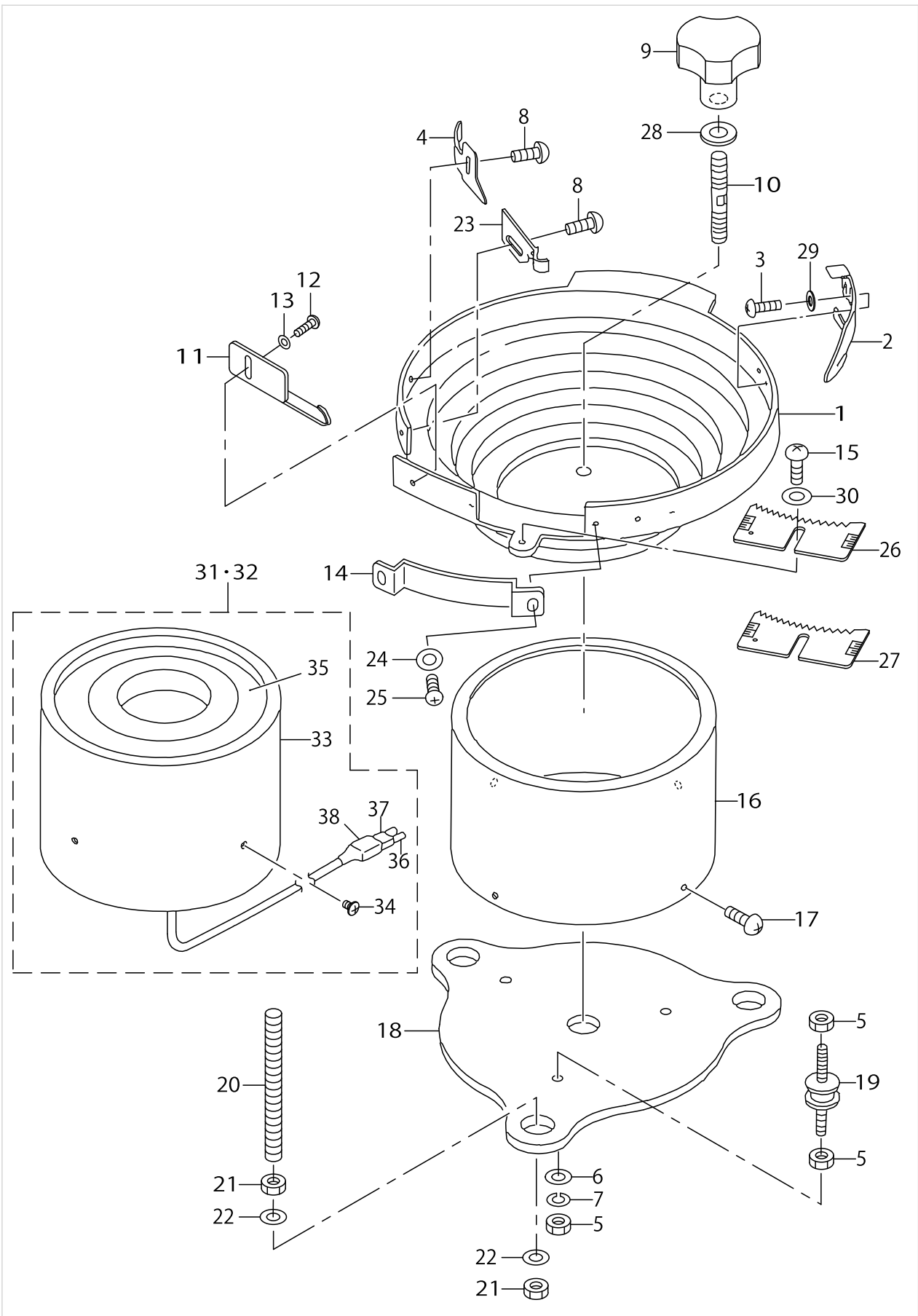
INDEX COMPONENTS (2)



INDEX COMPONENTS (2)

No.	Supply Code	Parts No.	Replacement	Parts name	Remarks	Choice	Step	Level	Cons	Qty	Rep. QTY
47		GBR108560A0		DC MOTOR ASM.						1	
48		16570509		THRUST COLLAR						1	
49		16571408		NEEDLE BEARING						1	
50		18212902		SENSOR COVER						1	
51	R	16570657	SM8040402TP	TURNINGSHAFTASM.		A				1	1.00
51	R	16570657	16570608	TURNINGSHAFTASM.		A				1	1.00
52		SM8040402TP		SCREW M4X0.7 L=4				*		2	
53		18201103		HOLDING PLATE (SMALL)	SELECTIVE PART					1	
54		SM6051202TP		SCREW M5X0.8 L=12						1	
55		SM6041002TP		SCREW M4 L=10						1	
56		B2107816000		WASHER						1	
57		SM6030802TP		SCREW M3X0.5 L=8						4	
58		WS0310002KN		SPRING WASHER M3						4	
59		WP0320500SC		WASHER M3						4	
60		16568651		FEEDPLATE22BASM.	FOR MEDIUM-SIZED BUTTON					1	
61		16568602		FEED PLATE 22B	FOR MEDIUM-SIZED BUTTON			*		1	
62		16572703		METAL				*		1	
63		18200956		FEED PLATE CIRCLE 13.5 ASM.	SELECTIVE PART					1	
64		18200907		FEED PLATE 12.5	SELECTIVE PART			*		1	
65		16572703		METAL				*		1	
66		GBR108450A0		INDEX STARTING SWITCH ASM.						1	
67	D	SM0861201SA		SCREW				*		1	
68		16569204		REST						1	
69		SM1041201SC		SCREW M4 L=12						2	
70		SM1040601SC		SCREW M4X0.7 L=6						1	
71		18218008		SHAFT (2)						1	

FEEDER BALL COMPONENTS



FEEDER BALL COMPONENTS

No.	Supply Code	Parts No.	Replacement	Parts name	Remarks	Choice	Step	Level	Cons	Qty	Rep. QTY
1		16577009		FEEDER BOWL						1	
2		GBR01426000		GUIDE PLATE						1	
3		SS4110815SP		SCREW 11/64-40 L=8						2	
4		GBR01441000		BUTTON STANDING PREVENT PLATE						1	
5		NM6060001SC		NUT M6						9	
6		WP0641600SC		WASHEW6.4X12.5X1.6						3	
7		WS0610002KN		SPRING WASHER 6.1X12.2X1.5						3	
8	R	SM0041001SN	SM0041001SC	SCREW M4 L=10						2	1.00
9		18204602		BOWL FIXING KNOB						1	
10		GBR01432000		BOWL FIXING SCREW						1	
11		16577504		SELECTOR PLATE						1	
12		SM4040801SN		SCREW M4 L=8						1	
13		WP0430800SC		WASHER M4						1	
14		GBR01428000		GUIDE PLATE						1	
15		SM4051001SN		SCREW M5						1	
16		16577207		P/F COVER						1	
17		SM0040601SC		SCREW M4X0.7 L=6						4	
18		16577108		P/F INSTALLING BASE						1	
19	R	16579203	40090800	RUBBER VIBRATION INSULATOR						3	1.00
20		16577306		MOUNTING BOLT						3	
21		NM6080001SC		NUT M8X1.25						6	
22		16577405		WASHER						6	
23		18202408		BUTTON GUIDE A						1	
24		WP0320500SC		WASHER M3						2	
25		SM4030601SN		SCREW M3 X 6						2	
26		GBR014220A0		SELECTION PLATE ASM. (SMALL)						1	
27	D	18251553		SELECTION PLATE ASM. (VERY SMA	SELECTIVE PART					1	
28		WP0841601SC		WASHER 8.4X17.4X1.6						1	
29		WP0450801SD		WASHER 4.5X10X0.8						2	
30		WP0531000SC		WASHER 5.3X10X1						1	
31		GBR107910A0		PARTS FEEDER ALL ASM.	FOR JAPAN AND GENERAL EXPORT					1	
32		GBR107910AC		PARTS FEEDR ALL C ASM.	FOR EUROPE					1	
33		16577207		P/F COVER				*		1	
34		SM0040601SC		SCREW M4X0.7 L=6				*		4	
35		GBR10791000		PARTS FEEDER				*		1	
36		HK004440020		2-POLE RECEPTACLE				*		1	
37		D6042555B00		PIN TERMINAL, FEMALE				*		2	
38		HK004490020		CONNECTOR COVER				*		1	

TABLE & COVER COMPONENTS

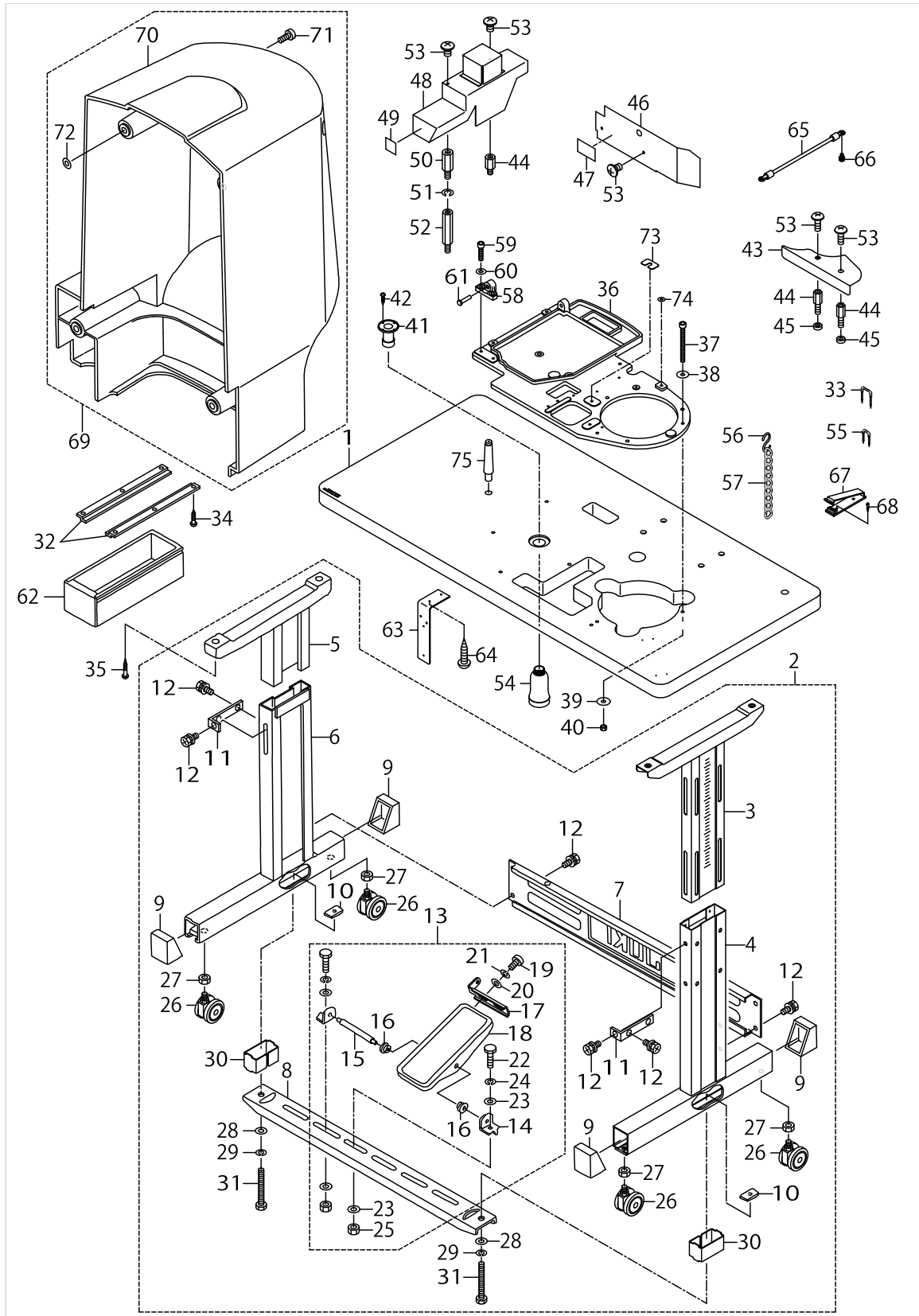


TABLE & COVER COMPONENTS

No.	Supply Code	Parts No.	Replacement	Parts name	Remarks	Choice	Step	Level	Cons	Qty	Rep. QTY
1	R	14192009	14192058	TABLE						1	1.00
2		14191951		T-STAND COMPL.						1	
3		14118152		UPPER STAND ASM.,RIGHT				*		1	
4		14118251		STAND ASM.,RIGHT				*		1	
5		B8101210AAB		UPPER STAND ASM.				*		1	
6		B8105210AAA		STAND ASM.				*		1	
7	D	11158300		STAND SIDE SUPPORT				*		1	
8		11158409		STAND SIDE SUPPORT				*		1	
9		11158607		RUBBER CAP				*		4	
10		17007402		NUT				*		2	
11		11158516		UPPERSTANDPLATE				*		2	
12		SL9082091SE		WASHER HEXAGONAL BOLT				*		10	
13		13817754		Z-STAND PEDAL ASM.				*		1	
14		11159001		PEDAL SHAFT BRACKET				*		2	
15		B8153771000		PEDAL CONNECTING ROD				*		1	
16		D8113555B00		PEDAL BUSHING				*		2	
17		GPF06080000		PEDAL ADJUSTING PLATE				*		1	
18		GPF060600A0		PEDAL ASM.				*		1	
19		SM9061203SE		SCREW M6 L=12				*		2	
20		WP0671016SE		WASHER 6.7X13X1				*		2	
21		WS0621210KR		SPRING WASHER 6.2X11.4X1.2				*		2	
22		SM9082023SE		SCREW M8 L=20				*		2	
23		WP0871602SE		WASHER 8.7X18X1.6				*		4	
24		WS0861410KR		SPRING WASHER 8.6X15X1.4				*		2	
25		NM6080721SE		NUT M8				*		2	
26		B8150210000		CASTER				*		4	
27		NM6120003SE		NUT M12				*		4	
28		WP0871602SE		WASHER 8.7X18X1.6				*		2	
29		WS0861410KR		SPRING WASHER 8.6X15X1.4				*		2	
30		11159506		STRUT AUXILIARY PLATE				*		2	
31		SM9086523SE		HEXAGONAL BOLT				*		2	
32		11155207		DRAWER SUPPORT						2	
33		D8204555D00		DRAWER STOPPER						3	
34		SK3311601SE		WOOD SCREW D=3.1 L=16						6	
35		SK3483201SE		WOOD SCREW D=4.8 L=32						4	
36	D	GBR25001000		BASE						1	
37		SM6066552TP		BOLT						6	
38		WP0612056SD		WASHER 6.1X18.5X2						6	
39		WP0651646SC		WASHER						6	
40		NM6060001SC		NUT M6						6	
41		B8202205000		OIL MANAGEMENT						1	
42		SK3311601SE		WOOD SCREW D=3.1 L=16						4	
43		18222604		FRONT COVER A						1	
44		HX003390000		STUD						3	
45		B3052816000		WASHER						2	
46		18222703		FRONT COVER, B						1	

TABLE & COVER COMPONENTS

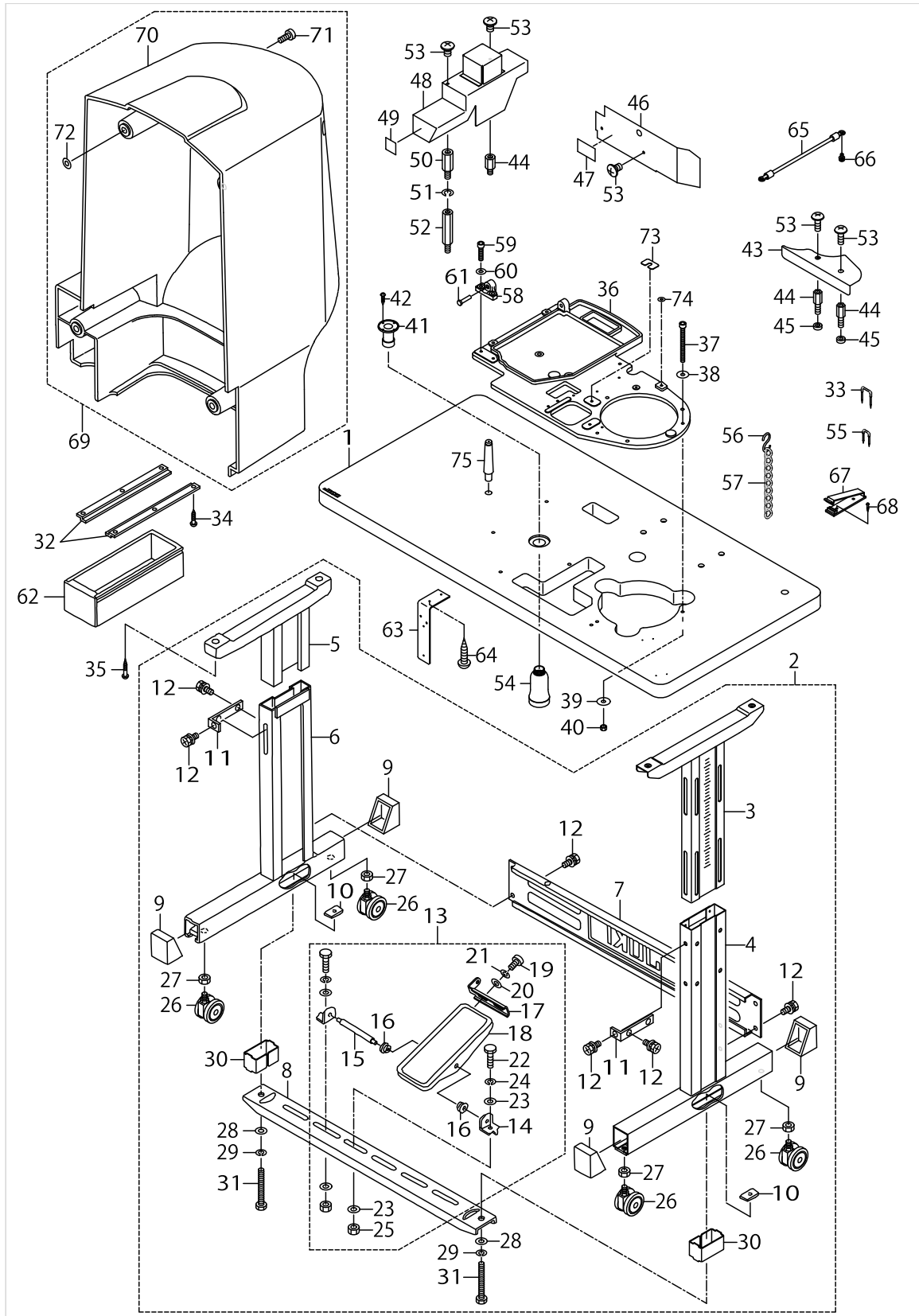
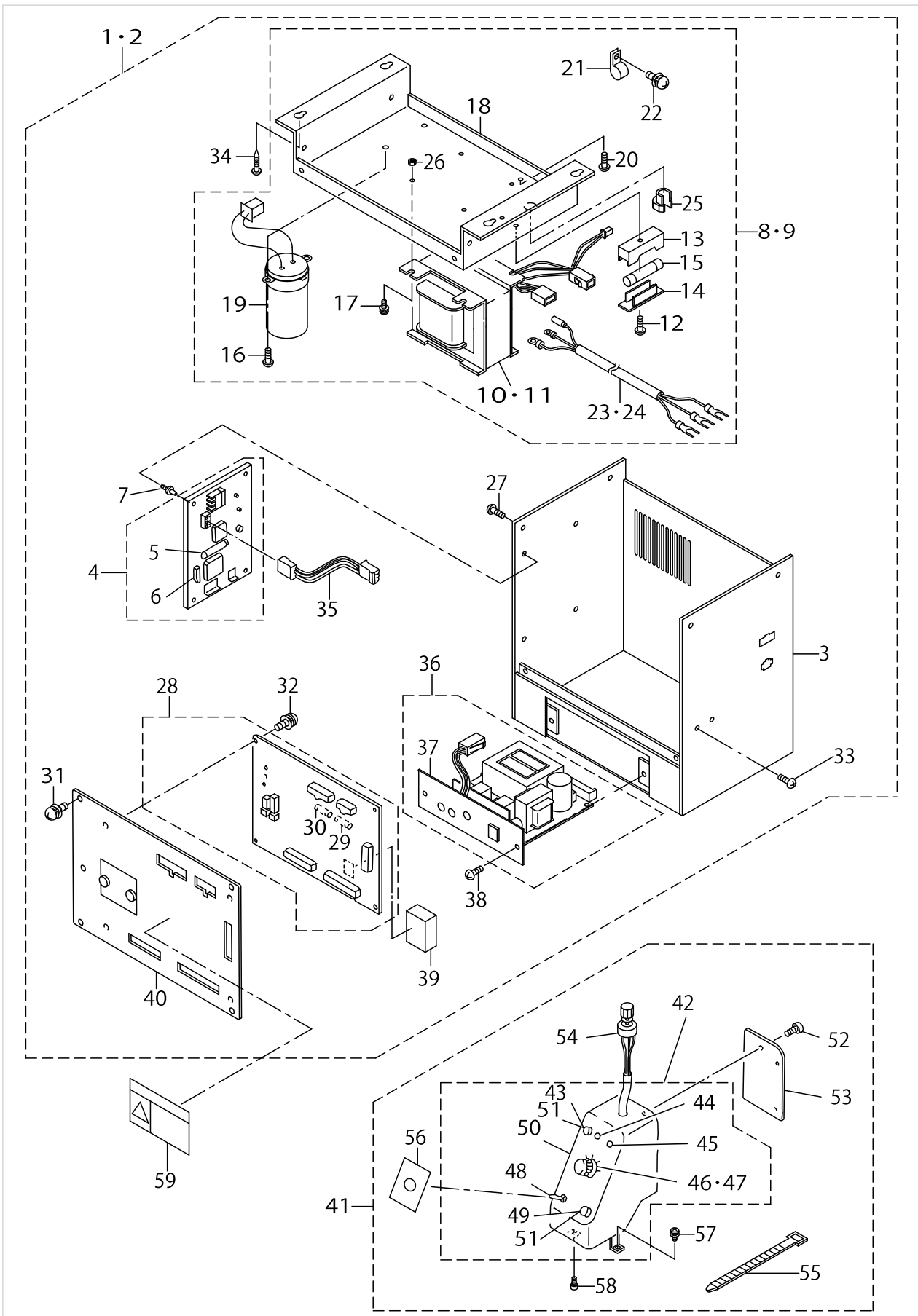


TABLE & COVER COMPONENTS

No.	Supply Code	Parts No.	Replacement	Parts name	Remarks	Choice	Step	Level	Cons	Qty	Rep. QTY
47		CM300200201		SAFETY LABEL 2 (SMALL)	FOR JAPAN					1	
48	D	18228007		COVER						1	
49		16586505		DANGER PREVENTION STICKER						1	
50	R	18228106	E3724715000	SPACER B						1	1.00
51		WS0410002KN		SPRING WASHER						1	
52		HX00339000B		BOARD PARTS						1	
53		SM0040601SA		SCREW						6	
54		B9121012000		OIL CAN						1	
55		MAO11532000		CORD STAPLE						11	
56	R	B8133019000	13160304	S SHAPED HOOK						2	1.00
57	R	B8103980000	26037903	CHAIN						1	1.00
58	D	GBR25006000		HEAD FIXING HINGE						1	
59		SM6062502TP		SCREW M6 L=25						2	
60		WP0611626SP		WASHER 15X6X1.6						2	
61		D2431555B00		THREAD TRIMMER SHAFT						2	
62	R	11155108	11155157	DRAWER						1	1.00
63		B5542205000		TERMINAL BRACKET						1	
64		SK3311601SE		WOOD SCREW D=3.1 L=16						2	
65		GBR308650A0		BASE EARTH CORD ASM.						1	
66		SL4041091SC		SCREW M4 L=10						1	
67		M964051000A		CABLE CLIP						1	
68		SK3382001SE		SCREW D=3.8 L=20						2	
69		14100457		MOTOR COVER ASM.						1	
70	R	14100408	14100457	MOTOR COVER				*		1	1.00
71		SS6111140SP		SCREW11/64-40L=11				*		4	
72		M8002430000		STOPPER				*		4	
73		GBR25010000		MAIN FRAME SPACER A						3	
74		WP0621036SP		WASHER						1	
75		11280856		FRAME SUPPORT BAR ASM.						1	

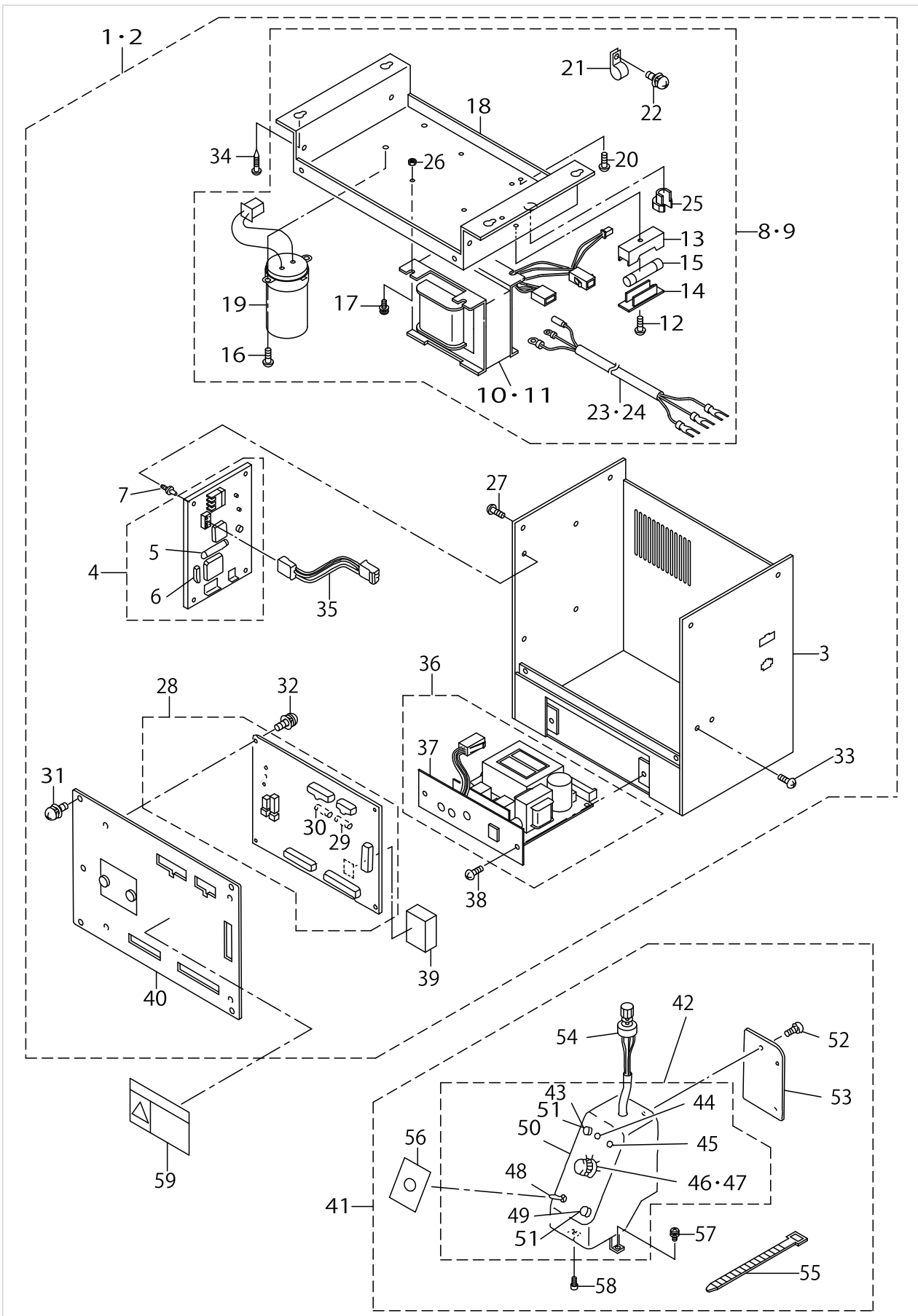
BR CONTROL BOX COMPONENTS (FOR JAPAN AND GENERAL EXPORT)



BR CONTROL BOX COMPONENTS (FOR JAPAN AND GENERAL EXPORT)

No.	Supply Code	Parts No.	Replacement	Parts name	Remarks	Choice	Step	Level	Cons	Qty	Rep. QTY
1	D	GBR25060BA0		CONTROLBOXBASM.	FOR 220V,- 240V,380V,- 415V,440V					1	
2	D	GBR25060AA0		CONTROLBOXAASM.	FOR 100V,- 115V,200V,- 220V,240V					1	
3	D	GBR107240A0		CONTROL BOX FRAME BODY ASM.				*		1	
4	R	GBR107610A0	40046093	POWER BOARD		A		*		1	1.00
4	R	GBR107610A0	40058552	POWER BOARD		A		*		1	1.00
5		E9613601000		FUSE 2A				*		1	
6		HA002980000		BREAKER 5A				*		1	
7		HX00228000A		SPACER				*		4	
8	D	GBR107460AB		TRANS BASE B COMPLE.	FOR 220V,- 240V,380V,- 415V,440V			*		1	
9		GBR107460AA		TRANS BASE A COMPLE.	FOR 100V,- 115V,200V,- 220V,240V			*		1	
10		GBR107480AA		TRANS A ASM.	FOR 100V,- 115V,200V,- 220V,240V			*		1	
11		GBR107480AB		TRANS B ASM.	FOR 220V,- 240V,380V,- 415V,440V			*		1	
12		SM4041001SC		SCREW M4X0.7 L=10				*		1	
13		HF005111000		FUSE HOLDER				*		1	
14	D	HF00511100B		FUSEHOLDERCOVER				*		1	
15		E9613601000		FUSE 2A				*		1	
16		SL4030681SC		SCREW M3 L=6				*		2	
17		SL4041291SC		SCREW M4 L=12				*		4	
18	D	GBR10747000		TRANSFORMER BASE				*		1	
19	R	GBR107430A0	40058552	CONDENSER ASM.		A		*		1	1.00
19	R	GBR107430A0	40046093	CONDENSER ASM.		A		*		1	1.00
20		SL4040891SC		SCREW M4 L=8				*		2	
21		HX00150000B		CABLE CLIP				*		1	
22		SL4030881SC		SCREW M3X8				*		1	
23		GBR107450A0		AC INPUT POWER CABLE CORD ASM.	FOR 100V,- 115V,200V,- 220V,240V			*		1	
24	D	GBR107440A0		AC INPUT POWER CABLE CORD ASM.	FOR 220V,- 240V,380V,- 415V,440V			*		1	
25		HX000980000		CORD BUSH				*		1	
26		NM6040001SF		NUT M4				*		4	
27		SL4040891SC		SCREW M4 L=8				*		4	
28	R	GBR107510A0	40058552	CPU BOARD ASM.		A	BR-10	*		1	1.00
28	R	GBR107510A0	40049608	CPU BOARD ASM.		A	BR-10	*		1	1.00
28	R	GBR107510A0	40058552	CPU BOARD ASM.		B	BR-35	*		1	1.00
28	R	GBR107510A0	40044386	CPU BOARD ASM.		B	BR-35	*		1	1.00
28	R	GBR107510A0	40063649	CPU BOARD ASM.		C	BR-20,BR-25,BR-30	*		1	1.00
29		HF0013020P0		FUSE 2A				*		1	
30		HF0013063P0		FUSE 6.3A				*		1	
31		SL4040891SC		SCREW M4 L=8				*		4	
32		SL4030681SC		SCREW M3 L=6				*		4	

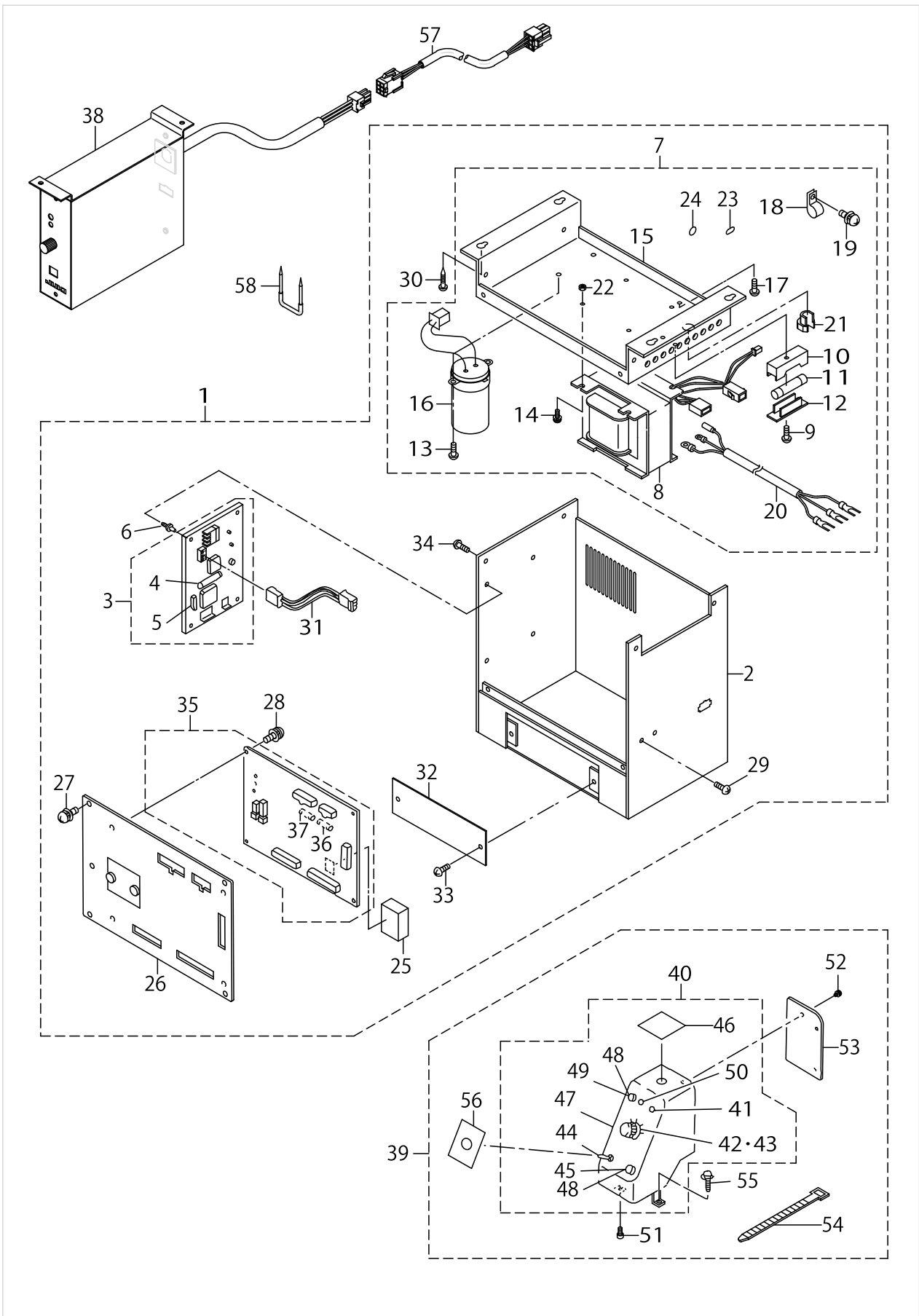
BR CONTROL BOX COMPONENTS (FOR JAPAN AND GENERAL EXPORT)



BR CONTROL BOX COMPONENTS (FOR JAPAN AND GENERAL EXPORT)

No.	Supply Code	Parts No.	Replacement	Parts name	Remarks	Choice	Step	Level	Cons	Qty	Rep. QTY
33		SL4040891SC		SCREW M4 L=8				*		2	
34		SK3452501SE		SCREW D=4.5 L=25				*		4	
35		GBR107720A0		CPU BOARD POWER CORD ASM.				*		1	
36		GBR107740A0		P/F CONTROLLER ASM.				*		1	
37		GBR10775000		P/F PANEL				*		1	
38		SM5040601SC		SCREW M4X0.7 L=6				*		2	
39		HL008730140		IC				*		1	
40		GBR207340A0		CONTROL BOX FRAME COVER ASM.				*		1	
41		GBR30784AA0		OPERATION PANEL WHOLE ASM. (A)						1	
42		GBR107850A0		PANEL ASM.				*		1	
43		HA00191001B		OPERATION BUTTON				*		1	
44		HG00291000A		LED (GREEN)				*		1	
45	D	HG002910000		LAMP				*		1	
46		HA002900000		DIP SWITCH				*		1	
47		HX00114000A		KNOB				*		1	
48		MA014506000		SWITCH				*		1	
49		HA00191001C		SWITCH KNOB,BLACK				*		1	
50		GBR10786000		PANEL BOX				*		1	
51		HA001910000		PUSH SWITCH 3 TERMINAL				*		2	
52		SL4030681SC		SCREW M3 L=6				*		3	
53		GBR10782000		PANEL BOX BACK COVER				*		1	
54		GBR107870A0		VOLUME ASM.				*		1	
55		EA9500B0100		CABLE BAND				*		1	
56		GBR30788000		SHEEL				*		1	
57		SL4041091SC		SCREW M4 L=10				*		1	
58		SM6040802TN		SCREW				*		1	
59		CM300100101		DANGER LABEL (SMALL)	FOR JAPAN					1	

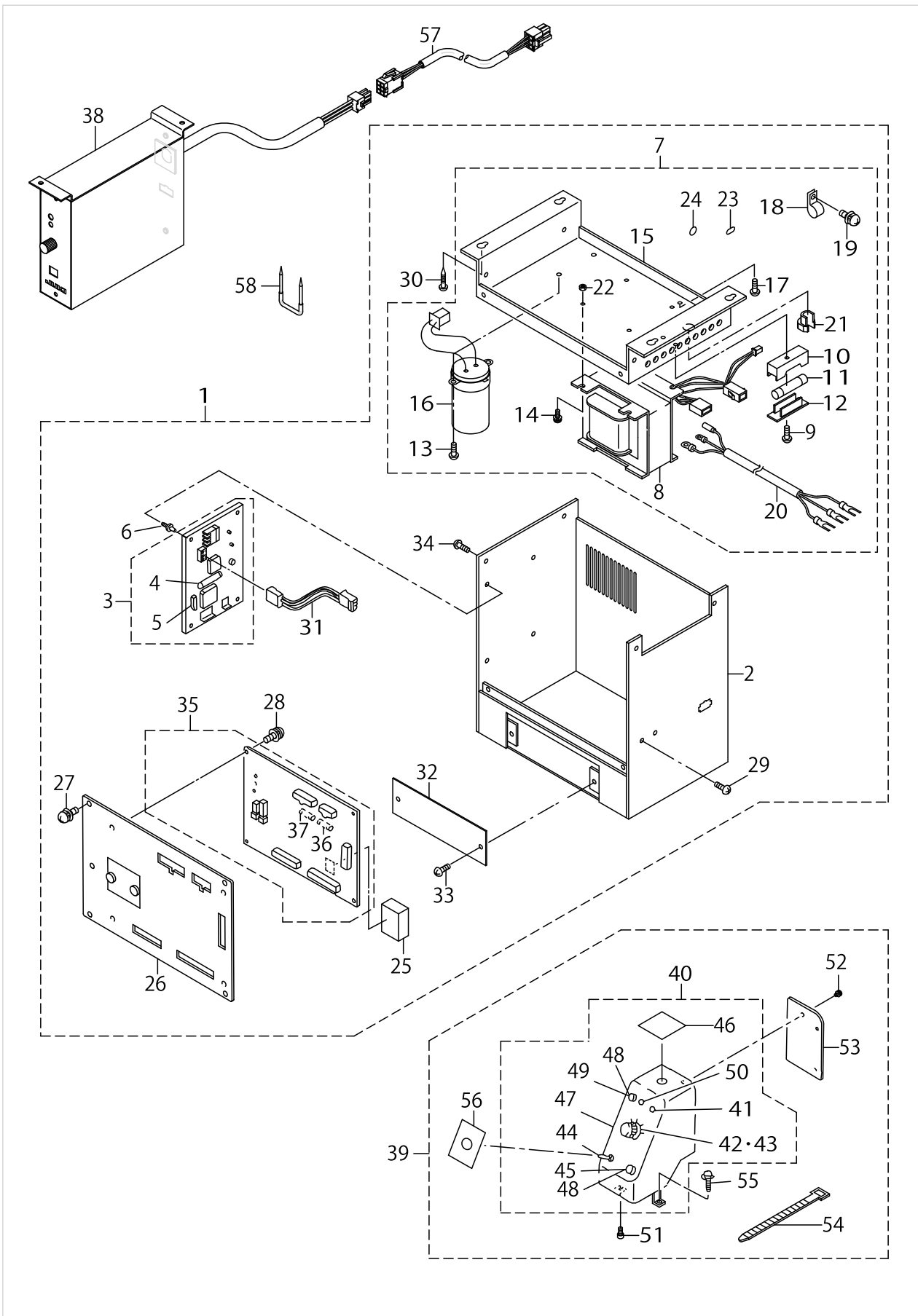
BR CONTROL BOX COMPONENTS (FOR EUROPE)



BR CONTROL BOX COMPONENTS (FOR EUROPE)

No.	Supply Code	Parts No.	Replacement	Parts name	Remarks	Choice	Step	Level	Cons	Qty	Rep. QTY
1	D	GBR25060CA0		CONTROLBOXCAS.						1	
2		GBR107240AC		CONTROL BOX FRA- ME BODY C ASM.				*		1	
3	R	GBR107610A0	40046093	POWER BOARD		A		*		1	1.00
3	R	GBR107610A0	40058552	POWER BOARD		A		*		1	1.00
4		E9613601000		FUSE 2A				*		1	
5		HA002980000		BREAKER 5A				*		1	
6		HX00228000A		SPACER				*		4	
7		GBR107460AC		TRANS BASE C COMPLE.				*		1	
8		GBR107480AB		TRANS B ASM.				*		1	
9		SM4041001SC		SCREW M4X0.7 L=10				*		1	
10		HF005111000		FUSE HOLDER				*		1	
11		E9613601000		FUSE 2A				*		1	
12	D	HF00511100B		FUSEHOLDERCOVER				*		1	
13		SL4030681SC		SCREW M3 L=6				*		2	
14		SL4041291SC		SCREW M4 L=12				*		4	
15	D	GBR10747000		TRANSFORMER BASE				*		1	
16	R	GBR107430A0	40058552	CONDENSER ASM.		A		*		1	1.00
16	R	GBR107430A0	40046093	CONDENSER ASM.		A		*		1	1.00
17		SL4040891SC		SCREW M4 L=8				*		3	
18		HX00150000B		CABLE CLIP				*		1	
19		SL4030881SC		SCREW M3X8				*		1	
20	D	GBR107440A0		AC INPUT POWER CABLE CORD ASM.				*		1	
21		HX000980000		CORD BUSH				*		1	
22		NM6040001SF		NUT M4				*		4	
23		CM200100001		PE MARK LABEL				*		1	
24	R	10004109	22901805	GROUND MARK				*		1	1.00
25		HL008730140		IC				*		1	
26		GBR207340A0		CONTROL BOX FRA- ME COVER ASM.				*		1	
27		SL4040891SC		SCREW M4 L=8				*		4	
28		SL4030681SC		SCREW M3 L=6				*		4	
29		SL4040891SC		SCREW M4 L=8				*		2	
30		SK3452501SE		SCREW D=4.5 L=25				*		4	
31		GBR107720A0		CPU BOARD POWER CORD ASM.				*		1	
32		GBR10726000		BLIND PLATE				*		1	
33		SM5040601SC		SCREW M4X0.7 L=6				*		2	
34		SL4040891SC		SCREW M4 L=8				*		4	
35	R	GBR107510A0	40058552	CPU BOARD ASM.		A	BR-10	*		1	1.00
35	R	GBR107510A0	40049608	CPU BOARD ASM.		A	BR-10	*		1	1.00
35	R	GBR107510A0	40058552	CPU BOARD ASM.		B	BR-35	*		1	1.00
35	R	GBR107510A0	40044386	CPU BOARD ASM.		B	BR-35	*		1	1.00
35	R	GBR107510A0	40063649	CPU BOARD ASM.		C	BR-20, BR-25, BR-30	*		1	1.00
36		HF0013020P0		FUSE 2A				*		1	
37		HF0013063P0		FUSE 6.3A				*		1	
38		GBR108010A0		P/F CONTROLLER ASM.						1	
39		GBR250610AC		OPERATION PANEL WHOLE ASM. C						1	

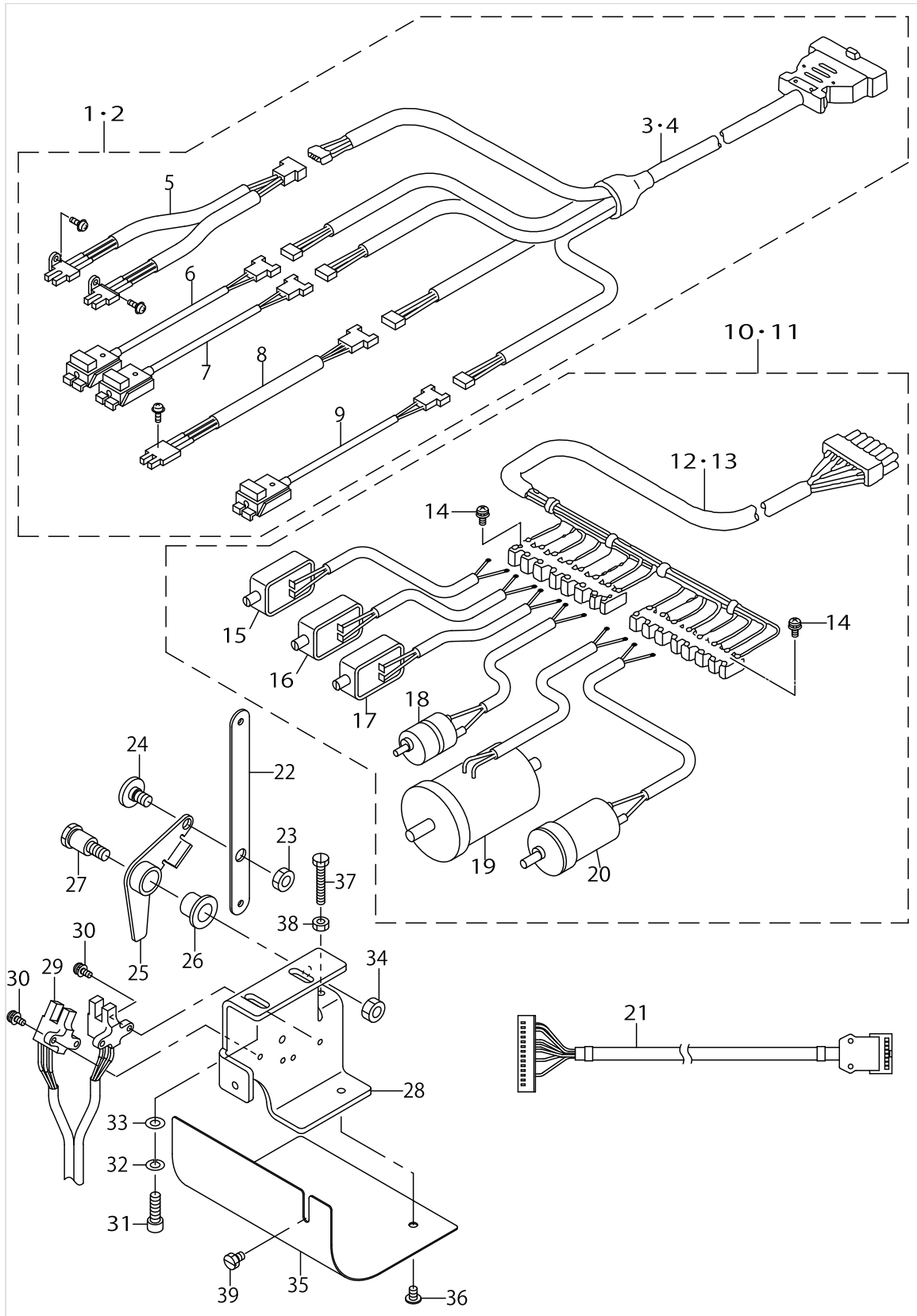
BR CONTROL BOX COMPONENTS (FOR EUROPE)



BR CONTROL BOX COMPONENTS (FOR EUROPE)

No.	Supply Code	Parts No.	Replacement	Parts name	Remarks	Choice	Step	Level	Cons	Qty	Rep. QTY
40		GBR107850AC		PANEL C ASM.				*		1	
41	D	HG002910000		LAMP				*		1	
42		HA002900000		DIP SWITCH				*		1	
43		HX00114000A		KNOB				*		1	
44		MAO14506000		SWITCH				*		1	
45		HA00191001C		SWITCH KNOB,BLACK				*		1	
46		GBR10728000		BLANK STICKER B				*		1	
47		GBR10786000		PANEL BOX				*		1	
48		HA001910000		PUSH SWITCH 3 TERMINAL				*		2	
49		HA00191001B		OPERATION BUTTON				*		1	
50		HG00291000A		LED (GREEN)				*		1	
51		SM6040802TN		SCREW				*		1	
52		SL4030681SC		SCREW M3 L=6				*		3	
53		GBR10782000		PANEL BOX BACK COVER				*		1	
54		EA9500B0100		CABLE BAND				*		1	
55		SL4041091SC		SCREW M4 L=10				*		1	
56		GBR30788000		SHEEL				*		1	
57		GBR250810A0		CABLE ASM.						1	
58		MAO11532000		CORD STAPLE						4	

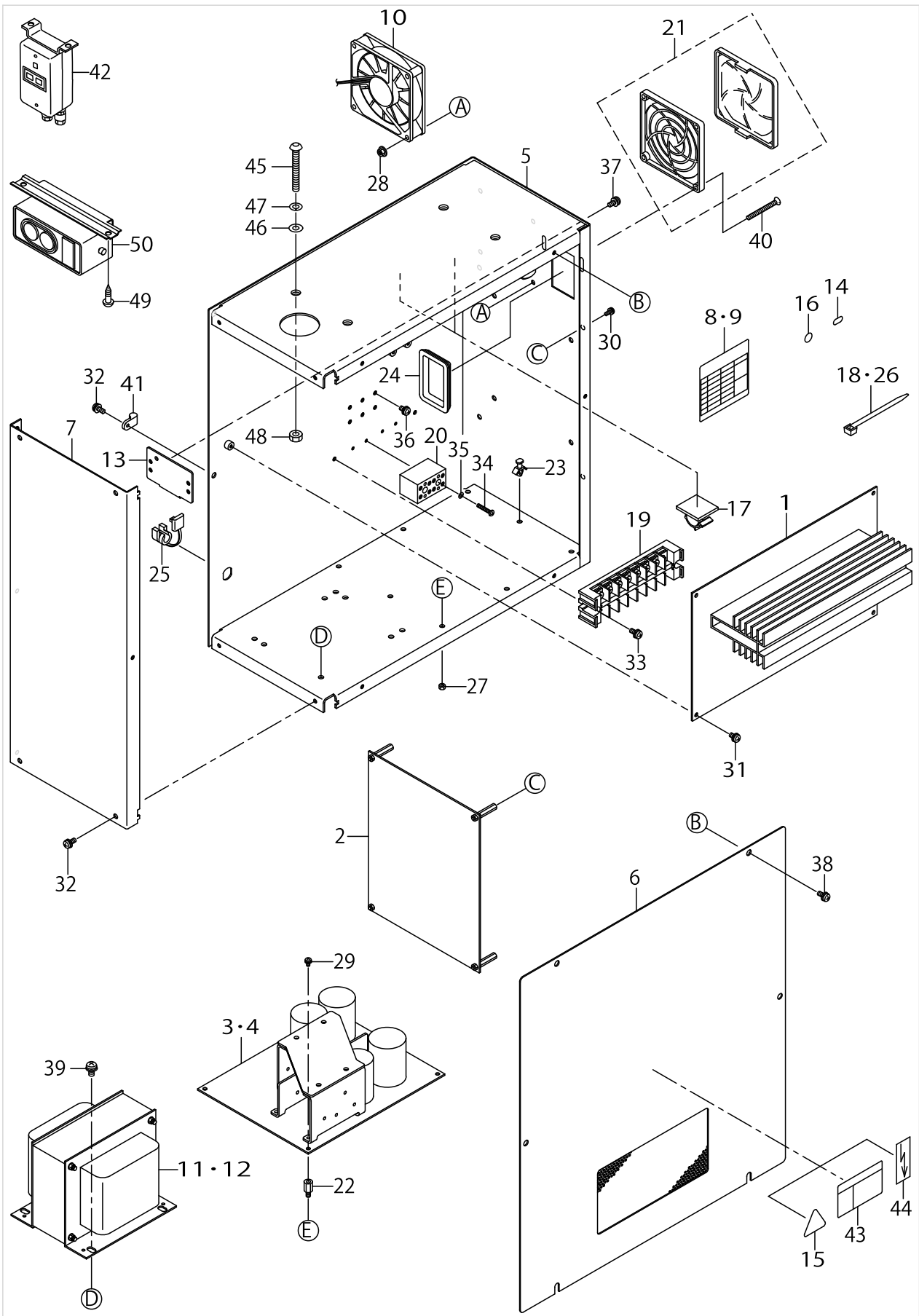
BR POWER SUPPLY COMPONENTS



BR POWER SUPPLY COMPONENTS

No.	Supply Code	Parts No.	Replacement	Parts name	Remarks	Choice	Step	Level	Cons	Qty	Rep. QTY
1		GBR108410B0		BR SENSOR ASM.	FOR JAPAN AND GENERAL EXPORT					1	
2		GBR108410BC		SENSOR CONNECTING CABLE ASM.	FOR EUROPE					1	
3		GBR108460A0		SENSOR CONNECTING CABLE ASM.	FOR JAPAN AND GENERAL EXPORT			*		1	
4		GBR108460AC		SENSOR CONNECTING CABLE ASM.	FOR EUROPE			*		1	
5	R	GBR108420A0	GBR108410B0	START SWITCH ASM.		A	JE以外/Except JE	*		1	1.00
5	R	GBR108420A0	GBR108410BC	START SWITCH ASM.		B	JE	*		1	1.00
6		GBR108430A0		RUB COMPLETION SWITCH ASM.				*		1	
7		GBR108440A0		BUTTON SENSOR SWITCH ASM.				*		1	
8	R	GBR108470A0	40084371	TURNING ARM HOME POSITION SENS				*		1	1.00
9		GBR108450A0		INDEX STARTING SWITCH ASM.				*		1	
10	D	GBR250200A0		BR DRIVING SOURCE WHOLE ASM.	FOR JAPAN AND GENERAL EXPORT					1	
11		GBR250200AC		BR DRIVING SOURCE C WHOLE ASM.	FOR EUROPE					1	
12		GBR108580A0		STARTING MAGNET CABLE ASM.	FOR JAPAN AND GENERAL EXPORT			*		1	
13		GBR108580AC		STARTING MAGNET CABLE ASM.	FOR EUROPE			*		1	
14		SL4030881SC		SCREW M3X8				*		2	
15		GBR10852000		MAGNET				*		1	
16		GBR10853000		MAGNET				*		1	
17		GBR10854000		MAGNET				*		1	
18		GBR108550A0		DC MOTOR ASM.				*		1	
19	R	GBR108590A0	HM000670000	DC MOTOR ASM.				*		1	1.00
20		GBR108560A0		DC MOTOR ASM.				*		1	
21		GBR250800A0		LK-BR RELAY CABLE ASM.						1	
22		16582009		SWITCH LINK						1	
23		NS6150430SP		NUT 15/64-28						1	
24		SD0700332SP		HINGE SCREW D= 7 H= 3.5						1	
25		18219907		TWO-STEP SWITCH LEVER						1	
26		16583403		METAL						1	
27		16582504		SCREW						1	
28		16582603		SWITCH BRACKET						1	
29	R	GBR108420A0	GBR108410B0	START SWITCH ASM.		A	JE以外/Except JE			1	1.00
29	R	GBR108420A0	GBR108410BC	START SWITCH ASM.		B	JE			1	1.00
30		SL4030881SC		SCREW M3X8						4	
31		SM6051602TP		SCREW M5X0.8 L=16						2	
32		WS0510002KN		SPRING WASHER						2	
33		WP0531000SC		WASHER 5.3X10X1						2	
34		NM6060001SC		NUT M6						1	
35		16582702		SWITCH COVER						1	
36		SM0040601SC		SCREW M4X0.7 L=6						1	
37	D	SM9042510SC		SCREW M4X0.7 L=25						1	
38		NM6040001SC		NUT M4						1	
39		SM9040600SP		HEAXGON BOLT						1	

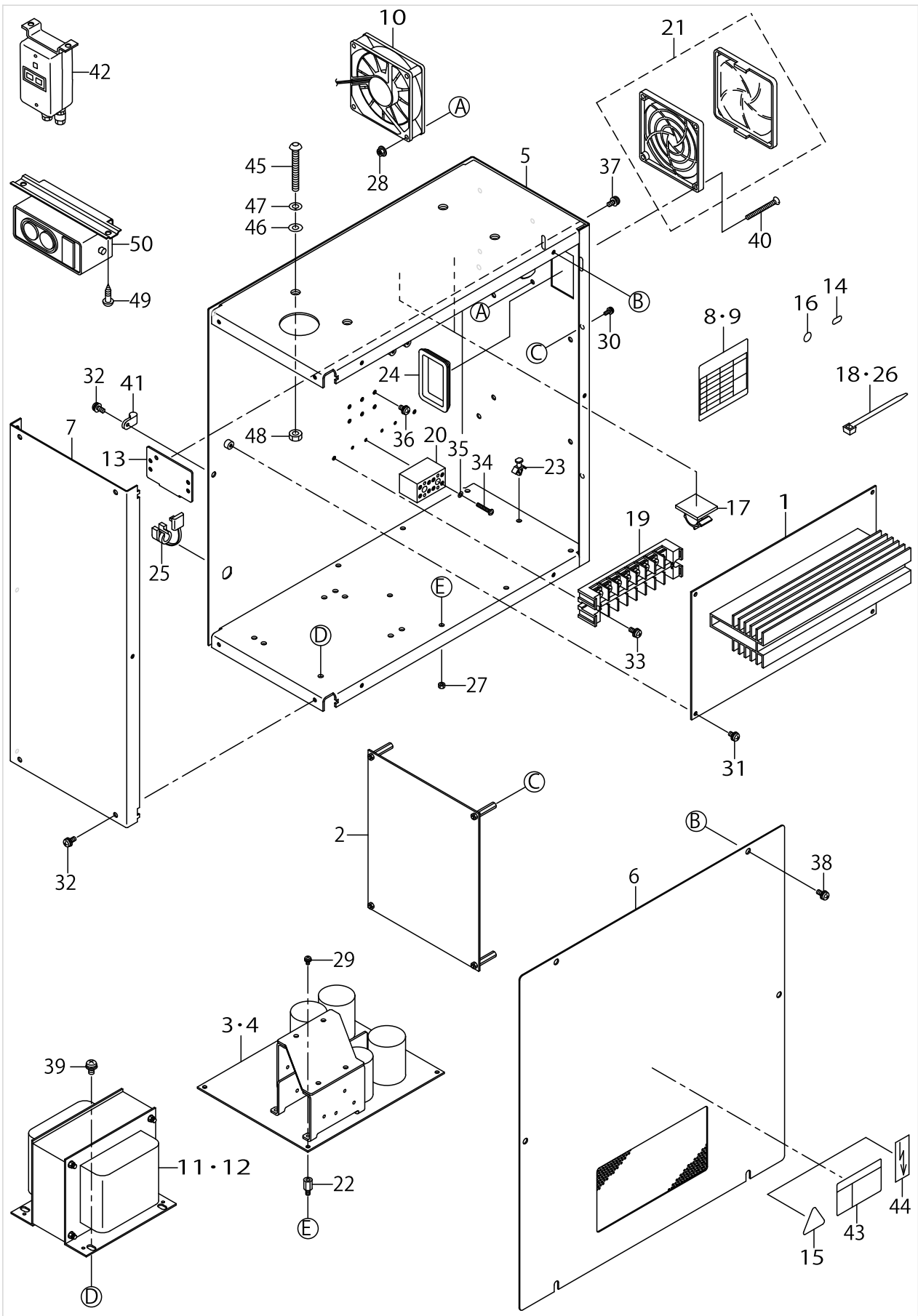
MC591 CONTROL BOX COMPONENTS



MC591 CONTROL BOX COMPONENTS

No.	Supply Code	Parts No.	Replacement	Parts name	Remarks	Choice	Step	Level	Cons	Qty	Rep. QTY
1	D	M8601590AB0		MAIN CIRCUIT BOARD A ASM.						1	
2	R	M8602590AA0	M8612590AA0	SERVO CIRCUIT BOARD ASM., A						1	1.00
3	R	M86045900A0	40008075	POWER CIRCUIT BOARD ASM.	FOR 100V-200V					1	1.00
4	R	M8604590AA0	40008076	POWER CIRCUIT BOARD ASM., A	FOR 380V					1	1.00
5	R	M1001590000	40098641	CONTROL BOX						1	1.00
6	R	M10025800A0	40098646	CONTROL BOX COVER ASM.						1	1.00
7	R	M1003590000	40098642	CONTROL BOX PANEL						1	1.00
8		M300359000A		SEAL A	FOR 100V-200V					1	
9		M300258000B		SEAL B	FOR 380V					1	
10		M85405900A0		FAN ASM.						1	
11		M8901590AA0A		POWER TRANSFORMER A ASM.	FOR 100V-200V					1	
12		M8901590BA0A		POWER TRANSFORMER B ASM.	FOR 380V					1	
13		17845009		CORDFITTINGPLATE						1	
14		CM200100001		PE MARK LABEL	FOR 380V					1	
15		CM300100001		LABEL	FOR 380V					1	
16		E9567319000		EARTH MARK						1	
17		E9609603000		STICKER (LARGE)						2	
18		EA9500B0100		CABLE BAND						1	
19		HK026650080		TERMINAL BASE 8P	FOR 100V-200V					1	
20		HK054250040		TERMINAL BASE	FOR 380V					2	
21		HM000860010		FAN FILTER						1	
22		HX00056000B		SPACER						4	
23		HX00147000C		SPACER						4	
24		HX004070000		BUSH						1	
25		HX004100000		BUSH						1	
26		EA9500B0200		CABLE BAND 150						2	
27		NM3034000SF		FLANGE NUT						4	
28		NM3040520SF		FLANGE NUT M4						2	
29		SL4030681SF		SCREW M3 L=6						4	
30		SL4030891SC		SCREW M3X8						4	
31		SL4040881SF		SCREW M4 L=8						4	
32		SL4041091SC		SCREW M4 L=10						7	
33		SL4041081SF		SCREW M4 L=10	FOR 100V-200V					2	
34		SM4031851SR		SCREW	FOR 380V					4	
35		WS0310702KS		SPRING WASHER	FOR 380V					4	
36		SL4040681SC		COMBINATION SCREW M4 X 8						4	
37		SL4041091SC		SCREW M4 L=10						2	
38		SL4041091SC		SCREW M4 L=10						6	
39		SL4051091SC		SCREW M5X0.8 L=10						4	
40		SM1044050SM		SCREW M4X0.7 L=40						2	
41		HX00123000B		CABLE CLIP						1	
42	R	HA00303000A	M85065220A0	SWITCH	FOR EUROPE					1	1.00
43		CM300100101		DANGER LABEL (SMALL)	FOR 100V-- 200V(JAPAN)					1	
44		G6705152U0A		LABEL	FOR 100V-- 200V(EXPORT)					1	
45		SM3065052TC		SCREW						4	

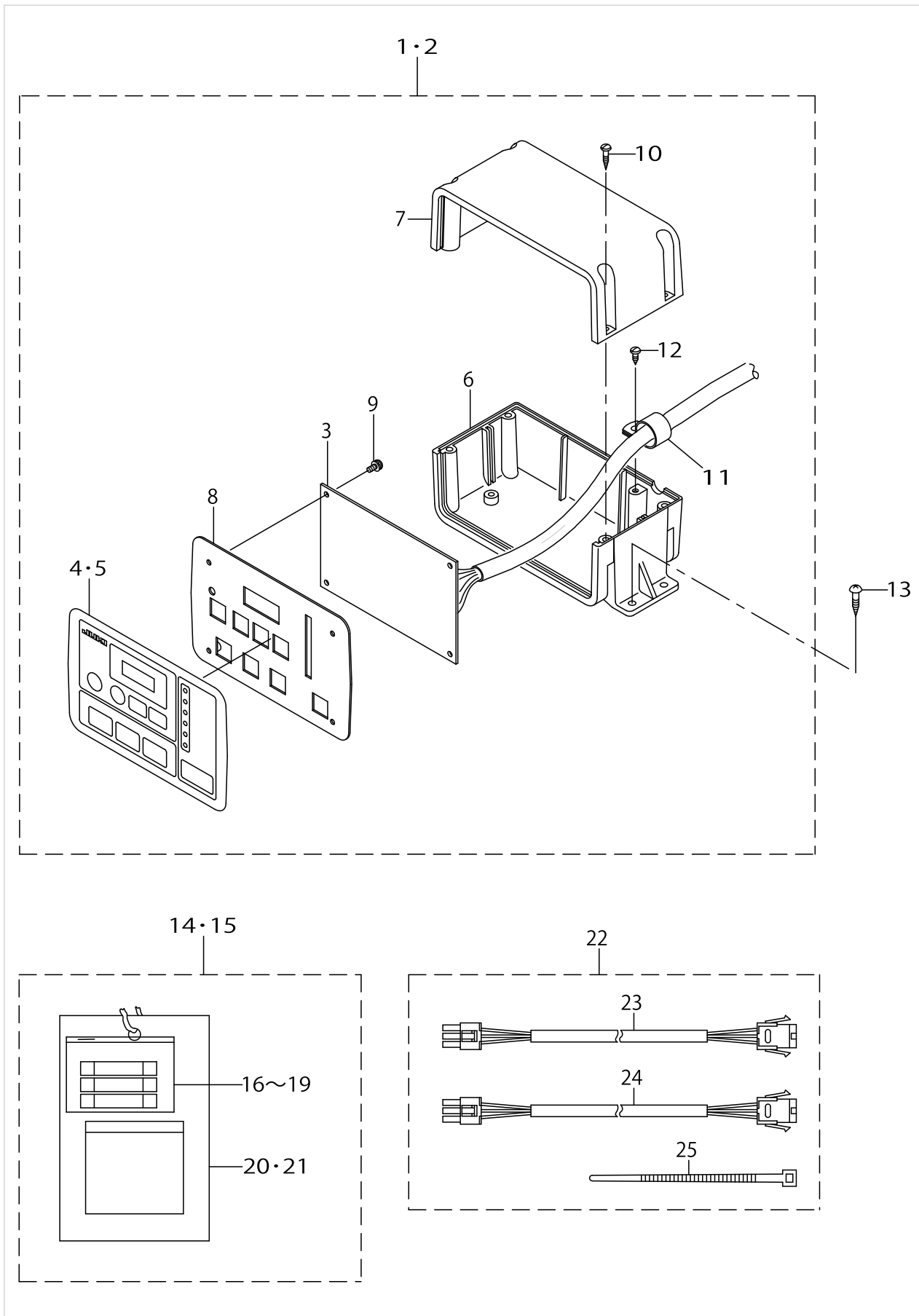
MC591 CONTROL BOX COMPONENTS



MC591 CONTROL BOX COMPONENTS

No.	Supply Code	Parts No.	Replacement	Parts name	Remarks	Choice	Step	Level	Cons	Qty	Rep. QTY
46		WP0651001SC		WASHER						4	
47		WS0610002KN		SPRING WASHER 6.1X12.2X1.5						4	
48		NM6060001SE		NUT M6						4	
49		SK3482001SE		WOOD SCREW D=4.8 L=20	EXCEPT EUROPE					2	
50		HA004250000		SWITCH	EXCEPT EUROPE					1	

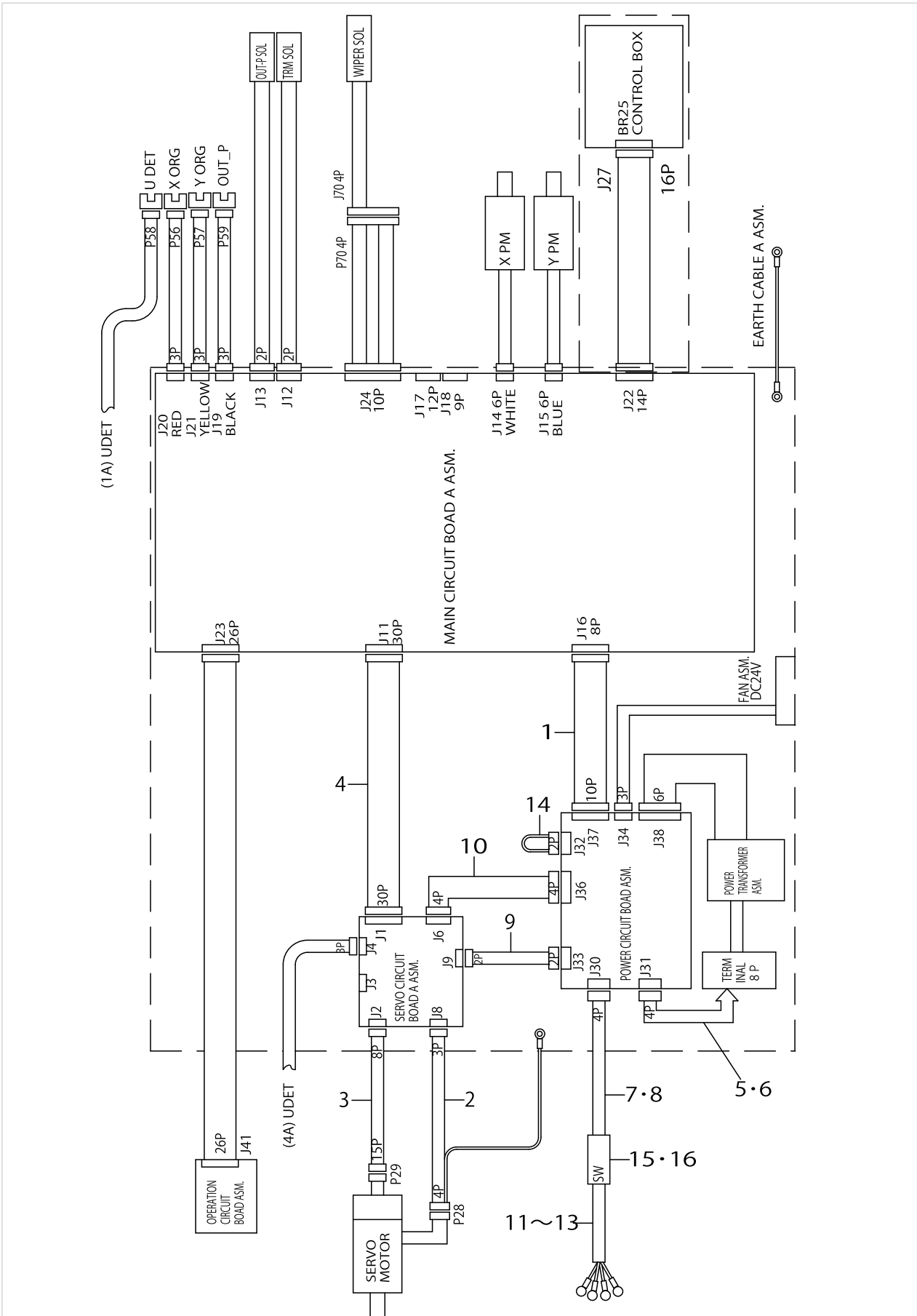
MC591 OPERATION BOX & ACCESSORIE COMPONENTS



MC591 OPERATION BOX & ACCESSORIE COMPONENTS

No.	Supply Code	Parts No.	Replacement	Parts name	Remarks	Choice	Step	Level	Cons	Qty	Rep. QTY
1	D	M8510590AA0		OPERATION BOX A ASM.	FOR JAPAN					1	
2	D	M8510590BA0		OPERATION BOX B ASM.	FOR EXPORT					1	
3	D	M86065900A0		OPERATION CIRCUIT BOARD ASM.				*		1	
4		M300259000A		OPERATION PANEL SHEET(JAPAN)	FOR JAPAN			*		1	
5		M300259000B		OPERATION PANEL SHEET(ENG)	FOR EXPORT			*		1	
6		M1010590000		OPERATION BOX A				*		1	
7		M1011590000		OPERATION BOX B				*		1	
8	D	M1012590000		OPERATION PANEL PLATE				*		1	
9		SL4030881SF		SCREW M3 L=8				*		4	
10		ST40316110R		TAPPING SCREW D=3 L=16				*		4	
11		EA9502B0500		CABLE CLIP				*		1	
12		SV4031006SR		SCREW M3 L=10				*		1	
13		SK3382001SE		SCREW D=3.8 L=20						4	
14		M85995900A0		ACCESSORIES PART ASM.	FOR 100V-200V					1	
15		M8599590AA0		ACCESSORIES PART A ASM.	FOR 380V					1	
16		HF001301000		TIMING LAG FUSE				*		1	
17		HF0041080P0		FUSE 8A				*		1	
18		E8523304000		FUSE 10A				*		1	
19		HF002900300		FUSE 250V 3A				*		1	
20		M300451100A		VOLTAGE INDICATION CARD,A	FOR 100V-200V			*		1	
21		M3003580000		VOLTAGE INDICATION CARD,B	FOR 380V			*		1	
22		M85975900A0		CABLE WHOLE ASM.	FOR MARK- ET ADAPTATION					1	
23		M90515900A0		CABLE ASM.				*		1	
24		M90525900A0		CABLE ASM.				*		1	
25		EA9500B0200		CABLE BAND 150				*		6	

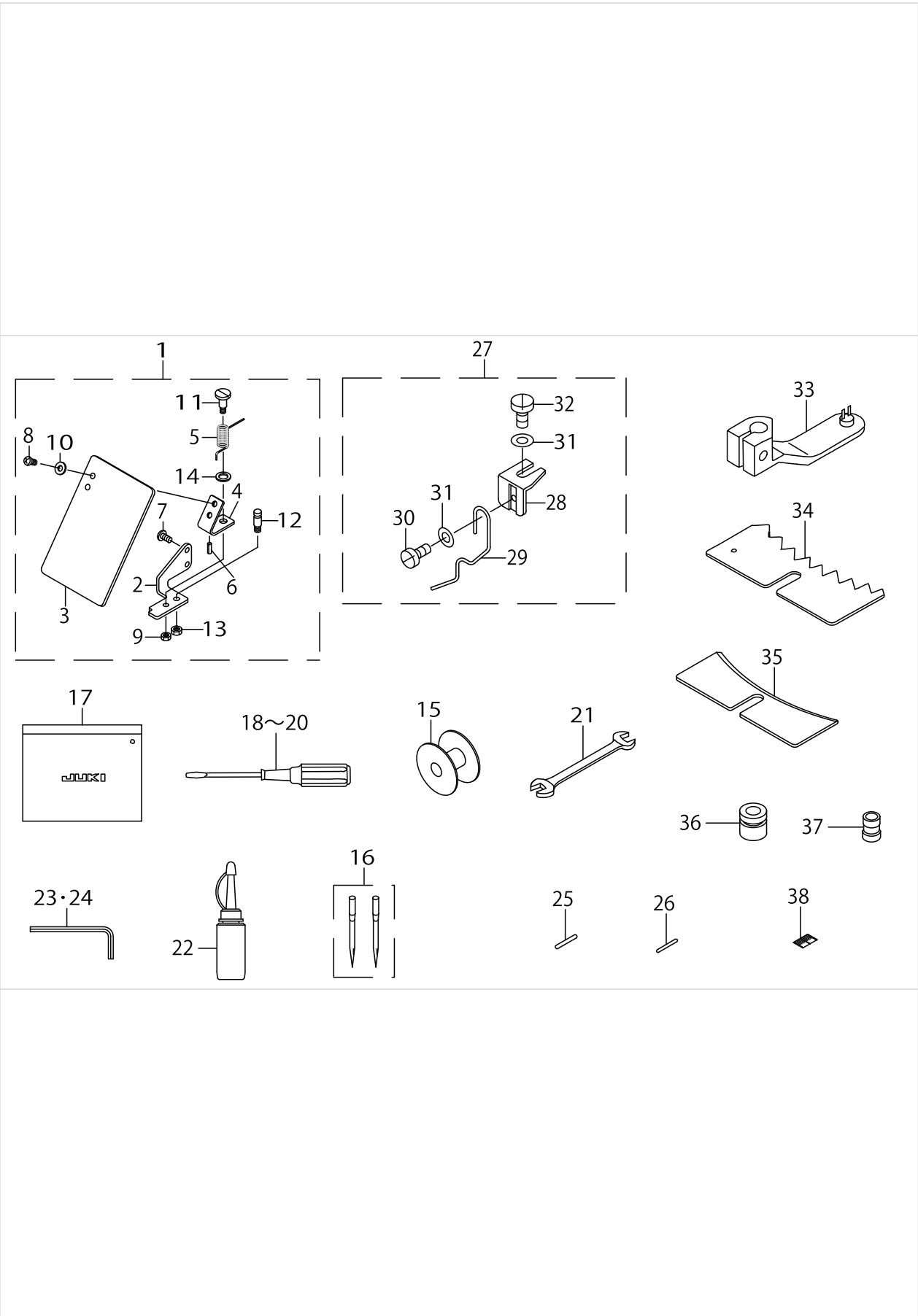
MC591 WIRING DIAGRAM



MC591 WIRING DIAGRAM

No.	Supply Code	Parts No.	Replacement	Parts name	Remarks	Choice	Step	Level	Cons	Qty	Rep. QTY
1		M90015900A0		MAIN POWER CORD ASM.						1	
2		M90035900A0		SERVO MOTOR CABLE ASM.						1	
3		M90045900A0		ENCODER CONN- ECTING CABLE ASM.						1	
4		M90085800A0		SERVO SIGNAL CORD ASM.						1	
5		M90205800A0		TRANSFORMER PO- WER CORD ASM.	FOR 100V-200V					1	
6		M9020580AA0		TRANSFORMER PO- WER CORD ASM.,A	FOR 380V					1	
7		M90225900A0		POWER CORD ASM.	FOR 100V-200V					1	
8		M90235900A0		POWER CORD A ASM.	FOR 380V					1	
9		M90025800A0		SERVO POWER CORD ASM.,B						1	
10		M90315900A0		SERVO POWER CORD ASM.,A						1	
11		M90175800A0		POWER CABLE ASM.	FOR 100V-- 200V(3-PH- ASE), 380V- (EXPORT)					1	
12		M90285800A0		POWER CABLE ASM.	FOR MC-591-ΔM					1	
13		M90245800A0		POWER CABLE ASM.,100V	FOR 1-PHASE					1	
14		M90215800A0		VOLTAGE TRANSFER CORD ASM.	FOR 100V					1	
15		HA004250000		SWITCH	EXCEPT M- C-591-ΔM					1	
16	R	HA00303000A	M85065220A0	SWITCH	FOR MC-591-ΔM					1	1.00

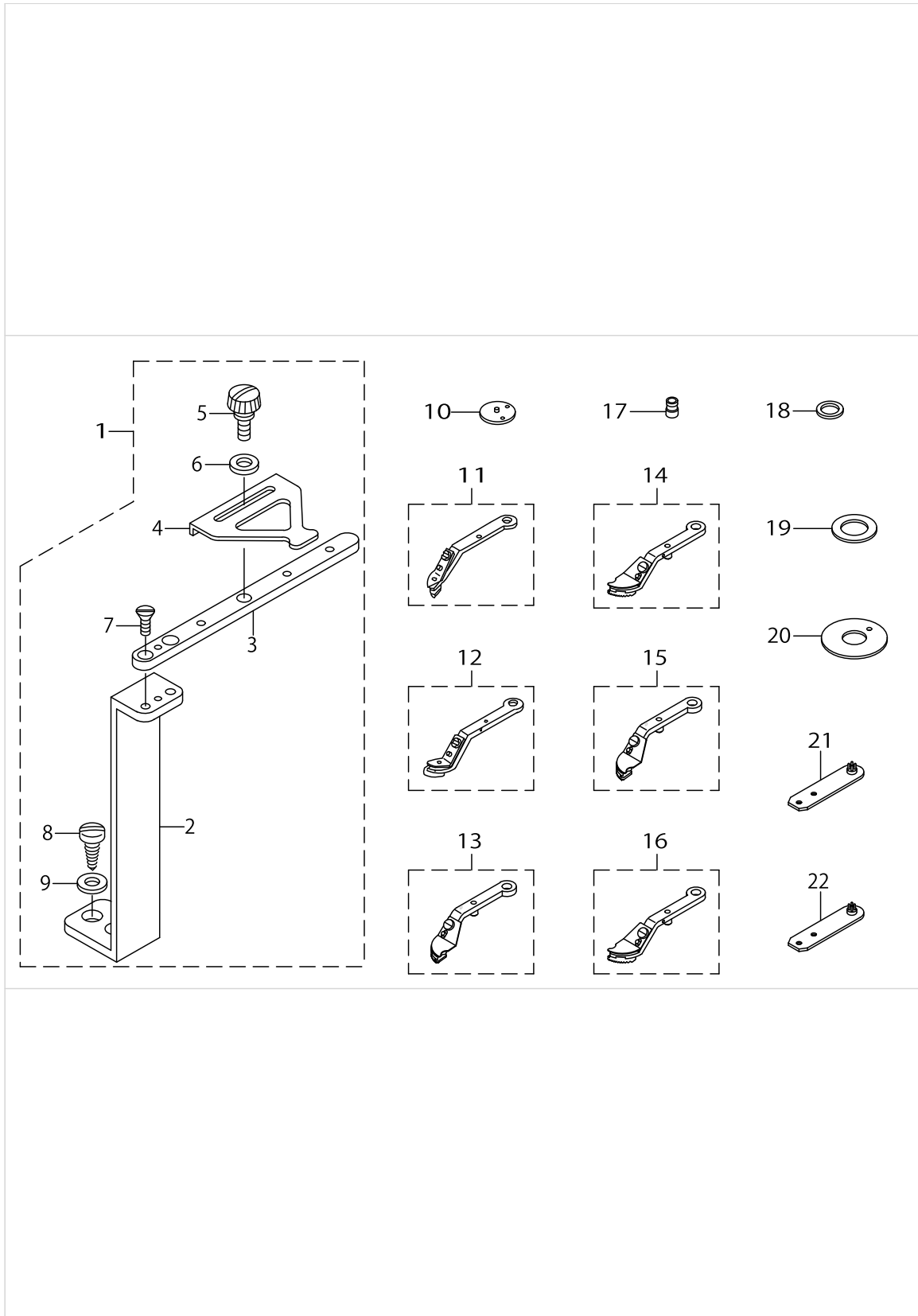
ACCESSORIE PART COMPONENTS



ACCESSORIE PART COMPONENTS

No.	Supply Code	Parts No.	Replacement	Parts name	Remarks	Choice	Step	Level	Cons	Qty	Rep. QTY
1	R	13551254	40052806	SAFETY PLATE ASM.						1	1.00
2	R	13551205	26235705	SAFETY PLATE INSTALLING BASE				*		1	1.00
3	R	B3120372000	26037200	SAFETY PLATE				*		1	1.00
4	R	B3121372000	26037309	SAFETY PLATE INS-TALLING PLATE				*		1	1.00
5		13943204		SAFETY PLATE RETURN SPRING				*		1	
6		PS0200062KH		SPRING PIN 2X6				*		1	
7		SS4110715SP		SCREW 11/64-40 L=7				*		2	
8		SS4110715SP		SCREW 11/64-40 L=7				*		2	
9		NS6110310SP		NUT 11/64-40				*		1	
10		WP0450801SD		WASHER 4.5X10X0.8				*		2	
11		SD0601021SP		HINGE SCREW D=6 H=10.2				*		1	
12	R	B1506352000	26226407	TENSION SPRING RACK B				*		1	1.00
13		NS6120310SP		NUT 3/16-28				*		1	
14		WP0740516SP		WASHER 7.4X11.8X0.5				*		1	
15		13812102		BOBBIN						1	
16	R	MDP170B1402	MDP170B1400	NEEDLE DPX17#14-2						1	1.00
17	R	B9101552000	22932800	ACCESSORY BOX						1	1.00
18	R	B9109555000	22933006	SCREW DRIVER, LARGE						1	1.00
19	R	B9110012000	22933105	SCREW DRIVER, MIDDLE						1	1.00
20	R	B9111012000	22933204	SCREW DRIVER, SMALL						1	1.00
21		B9113012000		WRENCH (9X10)						1	
22		B91212200A0		OILER (CONTAINING NO.2 OIL)						1	
23		B9140372000		HEXAGONAL WRENCH, SMALL						1	
24		GCT02906000		HEXAGONAL SPANNER						1	
25		GBR01155000		SET PIN A						6	
26		GBR01156000		SET PIN B						4	
27		14146757		BUTTON RISING BAR ASM.						1	
28		14146807		INSTALLING BASE				*		1	
29		14146708		BUTTON RISING BAR				*		1	
30		SS6080340SP		SCREW 1/8-44 L=2.9				*		1	
31		WP0370316SD		WASHER 3.7X8X0.3				*		2	
32		SS9090813TP		SCREW 9/64-40 L=8				*		1	
33		16558009		BUTTON CARRIER B						1	
34		GBR01423000		SELECTOR PLATE, MEDIUM						1	
35		GBR01437000		AUXILIARY PLATE						1	
36		16558108		RING, SMALL						1	
37		18200501		WORK ATTACHMENT (SMALL)						3	
38		18204701		SCALE						4	

SELECTIVE PART COMPONENTS



SELECTIVE PART COMPONENTS

No.	Supply Code	Parts No.	Replacement	Parts name	Remarks	Choice	Step	Level	Cons	Qty	Rep. QTY
1		MAQ124000A0		BUTTON SPACER						1	
2		MAQ12401000		SPACER MOUNTING BRACKET				*		1	
3		MAQ12302000		BUTTON SPACER MOUNT PLATE				*		1	
4		MAQ05003000		SPACER T=1.2				*		1	
5		MAXBS200S5X		GUIDE PLATE SETSCREW L=5				*		1	
6		WP0501016SC		WASHER 5X10.5X1				*		1	
7		SS1090510SP		SCREW 9/64-40 L=5				*		2	
8	R	SK3381300SC	SK3381301SE	WOOD SCREW D=3.8 L=13				*		2	1.00
9		WP0410846SC		WASHER				*		2	
10		D2426284Y00		NEEDLE HOLE GUIDE						1	
11		MAZ088220BAA		BIG BUTTON PICK-- UP FOOT (LEFT)						1	
12		MAZ088230BAA		BIG BUTTON PICK-- UP FOOT(RIGHT)						1	
13		18216457		PICK-UP FOOT (LEFT) S ASM.						1	
14		18216655		PICK-UP FOOT (RIGHT) S ASM.						1	
15		18216853		PICK-UP FOOT (LEFT) M ASM.						1	
16		18216952		PICK-UP FOOT (RIGHT) M ASM.						1	
17		18216002		WORK ATTACHMEN- T(THICK BUTTON)						1	
18	D	18216101		SPACER A						1	
19		18216200		SPACER B						1	
20	D	18216309		SPACER C						1	
21		18217000		FOUR PIN BUTTON CARRIER 3-1.2						1	
22		18217109		FOUR PIN BUTTON CARRIER 2.6-1						1	

LIST FOR INFORMATION OF CHANGE

As to the place changed, refer to the corresponding Rev.No.
 When previous parts(Obsoleted part)and new parts(Added parts)are
 not interchangeable with each other:
 In this case, even obsoleted parts(D.)can be ordered with the
 obsoleted part number, so select the parts with changed dates and
 place your orders.

変更箇所は、該当Rev.No.版をご参照ください。

部品の互換性がない変更の場合は、削除された品番でも、ご注文できます。

29309804
 No.1224-02・・・Rev.No.

*A:Added parts追加部品/D:Obsoleted parts削除部品/E:Erratum訂正

* Rev. No.	Page 頁	Ref. No.	Parts No. 品番	* Rev. No.	Page 頁	Ref. No.	Parts No. 品番
D 01	22	9	GBR-207460AA	A 02	22	9	GBR-107460AA
D 01	22	23	GBR-207450A0	A 02	22	23	GBR-107450A0
D 01	26	36	SM-0040801-SC	A 02	26	36	SM-0040601-SC
				A 02	26	39	SM-9040600-SP
D 01	28	10	M8540-580-0A0	A 02	28	10	M8540-590-0A0
D 01	28	11	M8901-590-AA0	A 02	28	11	M8901-590-AA0-A
D 01	28	12	M8901-590-BA0	A 02	28	12	M8901-590-BA0-A
D 01	28	28	NM-6030003-SC	A 02	28	28	NM-3040520-SF
D 01	28	40	SM-1033501-SC	A 02	28	40	SM-1044050-SM
				A 02	30	19	HF-0029003-00
				A 02	34	13	182-16457
				A 02	34	14	182-16655
				A 02	34	15	182-16853
				A 02	34	16	182-16952
				A 02	34	17	182-16002
				A 02	34	18	182-16101
				A 02	34	19	182-16200
				A 02	34	20	182-16309
				A 02	34	21	182-17000
				A 02	34	22	182-17109

HOW TO MAKE USE OF THIS PARTS LIST

1.Explanation of codes

1)"*"mark.....means this part is changed from the previous parts book.

As to the details of the change, refer to the "List for information of change".

2)"#01".....refer to "Note" explanation at bottom of page.

2.Codes on the "Qty" column

- Each numeral indicates the number of parts required.
- "0.1" and "2.5" indicate the length (in meters) of the respective parts.

3.Parentheses mean that the corresponding part is a subpart that constructs an assembly part.

4.Dotted lines on the Figures indicate assembly parts.

1."注記"欄の記号説明

1) "*"印.....前回のパーツブックに比較して今回変更された部品を意味します。

変更内容は、"変更情報リスト"を参照してください。

2) "#01".....ページ下の"注記"の説明を参照してください。

2.数量欄の数字は、個数を表し、0.1、2.5等の数値は、長さ（単位メートル）を表します。

3.数量欄の（ ）は、組部品を構成している子部品であることを意味します。

4.イラストページの-----枠は、組構成であることを意味します。

Other parts list related to this model.

この機種に関するパーツリストとして下記のパーツリストがあります。

LK-1900

Computer-controlled High-speed Bar-tacking Industrial Sewing Machine.

高速電子門止めミシン

NUMERICAL INDEX OF PARTS

PART NO	PAGE	REF NO.	PART NO	PAGE	REF NO.	PART NO	PAGE	REF NO.
10004109	38	24	14190458	6	15-16	16562902	18	6
11110707	16	62	14190557	6	20-21	16565400	22	54
11155108	32	62	14191951	30	2	16565509	22	55
11155207	30	32	14192009	30	1	16565707	20	7
11158300	30	7	16550105	10	38	16565905	20	22
11158409	30	8	16550204	14	42	16566002	20	4
11158516	30	11	16550402	14	40	16566408	20	25
11158607	30	9	16551806	14	30	16566507	20	1
11159001	30	14	16551905	14	16	16566606	20	10
11159506	30	30	16552309	14	21	16567000	20	14
11280856	32	75	16552507	10	1	16567166	20	31
13517602	6	2	16552606	10	10	16567802	20	40
13540901	6	33	16553208	10	21	16567901	20	43
13541313	2	13	16553208	20	5	16568206	22	51
13551205	52	2	16553307	10	22	16568404	24	30
13551254	52	1	16554008	10	20	16568602	26	61
13811906	8	57	16554008	20	38	16568651	26	60
13812003	8	58	16554503	10	30	16568909	24	26
13812102	52	15	16556300	14	44	16569204	26	68
13817754	30	13	16556409	14	43	16569501	24	18
13864509	4	17	16556607	14	34	16569600	24	17
13943204	52	5	16556706	10	14	16570103	24	21
14100408	32	70	16556805	10	25	16570202	24	22
14100457	32	69	16557209	10	4	16570301	24	23
14118152	30	3	16557209	22	68	16570509	26	48
14118251	30	4	16557308	14	15	16570657	26	51
14141402	6	11	16557407	14	4	16570707	24	33
14142251	4	13	16557506	10	29	16570905	24	37
14145106	6	1	16557605	10	34	16571408	26	49
14146104	6	10	16557902	14	9	16571507	24	43
14146203	6	8	16558009	52	33	16571804	24	45
14146302	6	13	16558108	52	36	16571903	24	15
14146708	52	29	16558801	14	17	16572406	20	24
14146757	52	27	16559007	10	31	16572505	20	41
14146807	52	28	16559601	10	45	16572703	24	65
14146906	8	69	16560104	18	14	16572703	26	65
14147003	2	12	16560203	18	32	16573008	24	14
14147508	4	6	16560302	18	21	16573305	20	44
14147607	4	4	16561607	18	15	16573701	24	2
14147755	4	14	16561904	18	25	16573909	24	46
14147805	4	7	16562001	18	18	16574006	20	18
14148407	2	14	16562100	18	23	16574105	20	3
14190052	6	5-6	16562308	18	20	16577009	28	1
14190151	6	5-6	16562407	18	19	16577108	28	18
14190300	6	32	16562803	18	4	16577207	28	33

NUMERICAL INDEX OF PARTS

PART NO	PAGE	REF NO.	PART NO	PAGE	REF NO.	PART NO	PAGE	REF NO.
16577306	28	20	18209502	20	35	B1649161000	16	64
16577405	28	22	18212902	26	50	B185351200E	2	15
16577504	28	11	18213405	24	11	B2102205000	4	2
16579203	28	19	18213454	24	10	B2107816000	20	8
16582009	42	22	18213504	24	12	B2107816000	26	56
16582504	42	27	18216002	54	17	B23022050A0	2	8
16582603	42	28	18216101	54	18	B2548372RA0	8	48
16582702	42	35	18216200	54	19	B2549372R00	6	39
16583403	42	26	18216309	54	20	B2553372000	6	36
16586505	32	49	18216457	54	13	B2560372000	6	37
17007402	30	10	18216655	54	14	B2561372000	6	30
17845009	44	13	18216853	54	15	B2619372000	2	16
18200303	24	29	18216952	54	16	B3052816000	30	45
18200352	24	27	18217000	54	21	B3120372000	52	3
18200501	14	19	18217109	54	22	B3121372000	52	4
18200501	52	37	18217505	20	39	B3125012000	8	59
18200709	8	62	18217752	10	33	B55412050A0	2	9
18200907	26	64	18217950	18	3	B5542205000	32	63
18200956	26	63	18218008	26	71	B8101210AAB	30	5
18201103	26	53	18218206	10	3	B8103980000	32	57
18201608	20	27	18218800	14	20	B8105210AAA	30	6
18201905	24	6	18218909	20	6	B8133019000	32	56
18201962	24	1	18219006	10	35	B8150210000	30	26
18202002	24	7	18219204	20	37	B8153771000	30	15
18202150	22	53	18219402	12	52	B8202205000	30	41
18202408	28	23	18219501	24	20	B9101552000	52	17
18203307	24	4	18219600	24	40	B9109555000	52	18~20
18204107	20	34	18219709	10	2	B9110012000	52	18~20
18204503	24	25	18219808	10	12	B9111012000	52	18~20
18204602	28	9	18219907	42	25	B9113012000	52	21
18204701	52	38	18222604	30	43	B9121012000	32	54
18205401	14	26	18222703	30	46	B91212200A0	52	22
18205708	14	12	18227553	18	9	B9140372000	52	23·24
18205906	14	6	18227603	8	61	CM200100001	38	23
18206003	14	1	18227702	10	42	CM200100001	44	14
18206201	16	53	18227850	10	8	CM300100001	44	15
18206409	14	7	18227959	14	5	CM300100101	36	59
18206656	14	11	18228007	32	48	CM300100101	44	43
18206706	10	24	18228106	32	50	CM300200201	32	47
18206904	10	36	18251553	28	27	D1401L7VV00	2	6
18207209	18	11	B1114581000	2	1	D1405M7WF00	2	10
18207506	18	13	B1207210D00	2	19	D1901L7VVB0	2	3
18207902	10	17	B1208210D00	2	17	D1904L7VV00	2	4
18209007	8	68	B1426771000	18	10	D1906L7VV00	2	5
18209403	22	52	B1506352000	52	12	D2426284Y00	54	10

NUMERICAL INDEX OF PARTS

PART NO	PAGE	REF NO.	PART NO	PAGE	REF NO.	PART NO	PAGE	REF NO.
D2431555B00	32	61	GBR107460AA	34	8·9	GBR108550A0	16	50
D2527232D00	8	60	GBR107460AB	34	8·9	GBR108550A0	42	18
D2548232D00	6	34	GBR107460AC	38	7	GBR108560A0	26	47
D2572M1YC0F	8	49	GBR10747000	34	18	GBR108560A0	42	20
D3130M1YC00	6	25	GBR10747000	38	15	GBR108580A0	42	12·13
D6042555B00	28	37	GBR107480AA	34	10·11	GBR108580AC	42	12·13
D8113555B00	30	16	GBR107480AB	34	10·11	GBR108590A0	18	27
D8204555D00	30	33	GBR107480AB	38	8	GBR108590A0	42	19
E5006171000	16	57	GBR107510A0	34	28	GBR11109000	16	54
E8523304000	48	16~19	GBR107510A0	38	35	GBR11110000	16	51
E9567319000	44	16	GBR107610A0	34	4	GBR11111000	16	55
E9609603000	44	17	GBR107610A0	38	3	GBR11112000	14	24
E9613601000	34	15	GBR107720A0	36	35	GBR11113000	16	66
E9613601000	38	11	GBR107720A0	38	31	GBR11114000	16	56
EA9500B0100	36	55	GBR107740A0	36	36	GBR207340A0	36	40
EA9500B0100	40	54	GBR10775000	36	37	GBR207340A0	38	26
EA9500B0100	44	18·26	GBR10782000	36	53	GBR25001000	30	36
EA9500B0200	44	18·26	GBR10782000	40	53	GBR25003000	8	74
EA9500B0200	48	25	GBR107850A0	36	42	GBR25004000	8	67
EA9502B0500	48	11	GBR107850AC	40	40	GBR25005000	12	47
G6705152U0A	44	44	GBR10786000	36	50	GBR25006000	32	58
GBR01120000	18	1	GBR10786000	40	47	GBR25010000	32	73
GBR01155000	52	25	GBR107870A0	36	54	GBR250200A0	42	10·11
GBR01156000	52	26	GBR10791000	28	35	GBR250200AC	42	10·11
GBR01168000	18	17	GBR107910A0	28	31·32	GBR25060AA0	34	1·2
GBR01175000	14	46	GBR107910AC	28	31·32	GBR25060BA0	34	1·2
GBR014220A0	28	26	GBR108010A0	38	38	GBR25060CA0	38	1
GBR01423000	52	34	GBR108410B0	42	1·2	GBR250610AC	38	39
GBR01426000	28	2	GBR108410BC	42	1·2	GBR250800A0	42	21
GBR01428000	28	14	GBR108420A0	42	29	GBR250810A0	40	57
GBR01432000	28	10	GBR108430A0	20	20	GBR30784AA0	36	41
GBR01437000	52	35	GBR108430A0	42	6	GBR30788000	36	56
GBR01441000	28	4	GBR108440A0	22	73	GBR30788000	40	56
GBR01601000A	8	46	GBR108440A0	42	7	GBR308650A0	32	65
GBR01606000	6	43	GBR108450A0	26	66	GCT02906000	52	23·24
GBR01607000	6	44	GBR108450A0	42	9	GPF060600A0	30	18
GBR107240A0	34	3	GBR108460A0	42	3·4	GPF06080000	30	17
GBR107240AC	38	2	GBR108460AC	42	3·4	HA001910000	36	51
GBR10726000	38	32	GBR108470A0	42	8	HA001910000	40	48
GBR10728000	40	46	GBR10852000	10	6	HA00191001B	36	43
GBR107430A0	34	19	GBR10852000	42	15	HA00191001B	40	49
GBR107430A0	38	16	GBR10853000	22	50	HA00191001C	36	49
GBR107440A0	34	23·24	GBR10853000	42	16	HA00191001C	40	45
GBR107440A0	38	20	GBR10854000	22	56	HA002900000	36	46·47
GBR107450A0	34	23·24	GBR10854000	42	17	HA002900000	40	42·43

NUMERICAL INDEX OF PARTS

PART NO	PAGE	REF NO.	PART NO	PAGE	REF NO.	PART NO	PAGE	REF NO.
HA002980000	34	6	M1001590000	44	5	MAO14506000	36	48
HA002980000	38	5	M10025800A0	44	6	MAO14506000	40	44
HA00303000A	44	42	M1003590000	44	7	MAQ05003000	54	4
HA00303000A	50	15·16	M1010590000	48	6	MAQ12302000	54	3
HA004250000	46	50	M1011590000	48	7	MAQ124000A0	54	1
HA004250000	50	15·16	M1012590000	48	8	MAQ12401000	54	2
HD000360000	18	28	M300258000B	44	8·9	MAXBS200S5X	54	5
HF001301000	48	16~19	M300259000A	48	4·5	MAZ088220BAA	54	11
HF0013020P0	34	29	M300259000B	48	4·5	MAZ088230BAA	54	12
HF0013020P0	38	36	M3003580000	48	20·21	MAZ088270A0	6	42
HF0013063P0	34	30	M300359000A	44	8·9	MAZ08828000	6	24
HF0013063P0	38	37	M300451100A	48	20·21	MAZ08829000	6	18
HF002900300	48	16~19	M8002430000	32	72	MAZ15501000	6	3·54
HF0041080P0	48	16~19	M8510590AA0	48	1·2	MAZ15502000	6	4·55
HF005111000	34	13	M8510590BA0	48	1·2	MAZ15514000	6	7
HF005111000	38	10	M85405900A0	44	10	MAZ15515000	6	31
HF00511100B	34	14	M85975900A0	48	22	MAZ15601000	8	3·54
HF00511100B	38	12	M85995900A0	48	14·15	MAZ15602000	8	4·55
HG002910000	36	45	M8599590AA0	48	14·15	MAZ16522000	6	14
HG002910000	40	41	M8601590AB0	44	1	MAZ166070A0	6	19
HG00291000A	36	44	M8602590AA0	44	2	MAZ166070B0	6	15·16
HG00291000A	40	50	M86045900A0	44	3·4	MAZ166080A0	6	22
HK004440020	28	36	M8604590AA0	44	3·4	MAZ166080B0	6	20·21
HK004490020	28	38	M86065900A0	48	3	MDP170B1400	2	7
HK026650080	44	19	M8901590AA0A	44	11·12	MDP170B1402	52	16
HK054250040	44	20	M8901590BA0A	44	11·12	NM3034000SF	44	27
HL008730140	36	39	M90015900A0	50	1	NM3040520SF	44	28
HL008730140	38	25	M90025800A0	50	9	NM6040001SC	10	28
HM000860010	44	21	M90035900A0	50	2	NM6040001SC	14	47
HX00056000B	44	22	M90045900A0	50	3	NM6040001SC	16	47
HX000980000	34	25	M90085800A0	50	4	NM6040001SC	18	5
HX000980000	38	21	M90175800A0	50	11~13	NM6040001SC	20	66
HX00114000A	36	46·47	M90205800A0	50	5·6	NM6040001SC	22	66
HX00114000A	40	42·43	M9020580AA0	50	5·6	NM6040001SC	24	24
HX00123000B	44	41	M90215800A0	50	14	NM6040001SC	42	38
HX00123000C	4	11	M90225900A0	50	7·8	NM6040001SF	34	26
HX00147000C	44	23	M90235900A0	50	7·8	NM6040001SF	38	22
HX00150000B	34	21	M90245800A0	50	11~13	NM6040003SC	4	15
HX00150000B	38	18	M90285800A0	50	11~13	NM6050001SC	10	23
HX00228000A	34	7	M90315900A0	50	10	NM6050001SC	14	14
HX00228000A	38	6	M90515900A0	48	23	NM6050001SC	18	7
HX003390000	30	44	M90525900A0	48	24	NM6060001SC	28	5
HX00339000B	32	52	M964051000A	32	67	NM6060001SC	30	40
HX004070000	44	24	MAO11532000	32	55	NM6060001SC	42	34
HX004100000	44	25	MAO11532000	40	58	NM6060001SE	46	48

NUMERICAL INDEX OF PARTS

PART NO	PAGE	REF NO.	PART NO	PAGE	REF NO.	PART NO	PAGE	REF NO.
NM6080001SC	28	21	SL4030681SC	36	52	SM4860501SC	24	8
NM6080721SE	30	25	SL4030681SC	38	52	SM5040601SC	36	38
NM6120003SE	30	27	SL4030681SC	40	52	SM5040601SC	38	33
NS6080210SP	8	45	SL4030681SF	44	29	SM6030602TP	8	63
NS6090310SP	8	47	SL4030881SC	24	5	SM6030602TP	14	25
NS6110310SP	4	9	SL4030881SC	34	22	SM6030802TP	24	57
NS6110310SP	52	9	SL4030881SC	38	19	SM6030802TP	26	57
NS6110360SP	16	65	SL4030881SC	42	30	SM6031202TP	14	8
NS6120310SP	4	22	SL4030881SF	48	9	SM6031402TP	12	49
NS6120310SP	52	13	SL4030891SC	44	30	SM6031402TP	14	38
NS6150310SP	6	35	SL4031081SC	18	29	SM6040802TN	36	58
NS6150430SP	42	23	SL4040681SC	44	36	SM6040802TN	40	51
PH0300125S0	16	52	SL4040881SF	44	31	SM6040802TP	22	63
PH0300185S0	24	16	SL4040891SC	34	33	SM6040802TR	10	39
PS0200062KH	52	6	SL4040891SC	36	33	SM6040802TR	14	27
RC2500001KP	18	2	SL4040891SC	38	34	SM6040802TR	20	13
RE0200000K0	10	5	SL4041081SF	44	33	SM6040802TR	24	34
RE0200000K0	22	69	SL4041091SC	32	66	SM6041002TP	14	31
RE0250000K0	20	42	SL4041091SC	36	57	SM6041002TP	20	47
RE0700000K0	6	12	SL4041091SC	40	55	SM6041002TP	22	47
RE1200000K0	20	19	SL4041091SC	44	38	SM6041002TP	26	55
SB110000400	24	42	SL4041291SC	34	17	SM6041202TP	8	66
SB115000400	10	15	SL4041291SC	38	14	SM6041202TP	20	62
SD0500301SP	6	40	SL4051091SC	44	39	SM6041202TP	22	62
SD0550303TP	6	38	SL9082091SE	30	12	SM6041202TP	24	38
SD0600181TP	4	5	SM0040601SA	32	53	SM6041402TP	14	35
SD0600341TP	10	7	SM0040601SC	20	2	SM6042002TP	10	26
SD0600401TP	10	11	SM0040601SC	24	3	SM6042002TP	14	23
SD0600651TP	16	58	SM0040601SC	28	34	SM6042502TP	14	41
SD0601021SP	10	13	SM0040601SC	42	36	SM6050802TP	10	37
SD0601021SP	52	11	SM0041001SN	28	8	SM6051202TP	8	75
SD0640261SP	4	20	SM0861201SA	20	74	SM6051202TP	24	54
SD0640391TP	6	29	SM0861201SA	22	74	SM6051202TP	26	54
SD0700332SP	42	24	SM0861201SA	26	67	SM6051602TP	8	52
SD0791271SP	2	11	SM1031401SC	16	63	SM6051602TP	24	41
SK3311601SE	30	64	SM1040601SC	26	70	SM6051602TP	42	31
SK3311601SE	32	64	SM1041201SC	26	69	SM6051802TP	14	10
SK3381300SC	54	8	SM1044050SM	44	40	SM6052002TP	24	31
SK3382001SE	32	68	SM3065052TC	44	45	SM6052502TP	10	18
SK3382001SE	48	13	SM4030601SN	28	25	SM6061202TP	8	72
SK3452501SE	36	34	SM4031851SR	44	34	SM6061602TP	22	70
SK3452501SE	38	30	SM4040801SN	28	12	SM6062002TP	18	33
SK3482001SE	46	49	SM4041001SC	34	12	SM6062502TP	32	59
SK3483201SE	30	35	SM4041001SC	38	9	SM6063002TP	10	43
SL4030681SC	34	52	SM4051001SN	28	15	SM6066552TP	30	37

NUMERICAL INDEX OF PARTS

PART NO	PAGE	REF NO.	PART NO	PAGE	REF NO.	PART NO	PAGE	REF NO.
SM8030402TP	20	30	TA2100904R0	8	53	WS0410002KN	20	67
SM8040402TP	18	30	WP0280500SC	24	9	WS0410002KN	22	67
SM8040402TP	26	52	WP0320500SC	12	51	WS0410002KN	24	35
SM8040602TP	10	32	WP0320500SC	26	59	WS0410002KN	32	51
SM8040602TP	14	18	WP0320500SC	28	24	WS0410002KS	4	16
SM8040602TP	18	22	WP0370316SD	52	31	WS0451040KP	4	19
SM8042502TP	20	11	WP0410846SC	54	9	WS0510002KN	10	19
SM8050502TP	12	48	WP0430800SC	10	41	WS0510002KN	42	32
SM8050502TP	14	3	WP0430800SC	14	49	WS0510002KP	8	76
SM8050502TP	24	13	WP0430800SC	16	49	WS0510002KS	14	13
SM8050602TP	10	9	WP0430800SC	20	65	WS0610002KN	10	44
SM8050602TP	14	2	WP0430800SC	22	65	WS0610002KN	18	34
SM8050602TP	18	26	WP0430800SC	24	36	WS0610002KN	22	71
SM8050612TP	18	12	WP0430800SC	28	13	WS0610002KN	28	7
SM8050812TP	18	16	WP0430801SC	16	59	WS0610002KN	46	47
SM8050842TP	18	31	WP0450801SD	4	18	WS0621210KR	30	21
SM8050842TP	24	44	WP0450801SD	28	29	WS0861410KR	30	29
SM9040600SP	42	39	WP0450801SD	52	10	WZ0640200KP	4	21
SM9042510SC	42	37	WP0501016SC	54	6			
SM9061203SE	30	19	WP0501016SD	6	73			
SM9082023SE	30	22	WP0501016SD	8	73			
SM9086523SE	30	31	WP0531000SC	28	30			
SS1090510SP	54	7	WP0531000SC	42	33			
SS4110615SP	4	12	WP0531000SD	8	50			
SS4110715SP	52	8	WP0611626SP	32	60			
SS4110815SP	28	3	WP0612056SD	30	38			
SS6080340SP	52	30	WP0612516SD	8	65			
SS6111010TP	4	1	WP0621036SP	32	74			
SS6111140SP	32	71	WP0641600SC	18	35			
SS6121210SP	2	18	WP0641600SC	22	72			
SS6621220SP	4	3	WP0641600SC	28	6			
SS7060310SP	4	8	WP0651001SC	46	46			
SS7080510TP	2	2	WP0651646SC	30	39			
SS7090410SP	6	23	WP0671016SE	30	20			
SS7091480SP	6	41	WP0740516SP	52	14			
SS7110840SP	8	70	WP0841601SC	28	28			
SS9090813TP	52	32	WP0871602SE	30	28			
SS9091010SP	6	9	WS0310002KN	12	50			
SS9110460CP	6	26	WS0310002KN	14	39			
SS9110543CP	8	71	WS0310002KN	26	58			
SS9151120CP	8	64	WS0310702KS	44	35			
SS9621413SP	6	27	WS0410002KN	8	51			
ST40316110R	48	10	WS0410002KN	10	46			
SV4031006SR	48	12	WS0410002KN	14	60			
TA1250705R0	4	10	WS0410002KN	16	60			