

MODEL : DDL-8500-7

List No : 1200-00

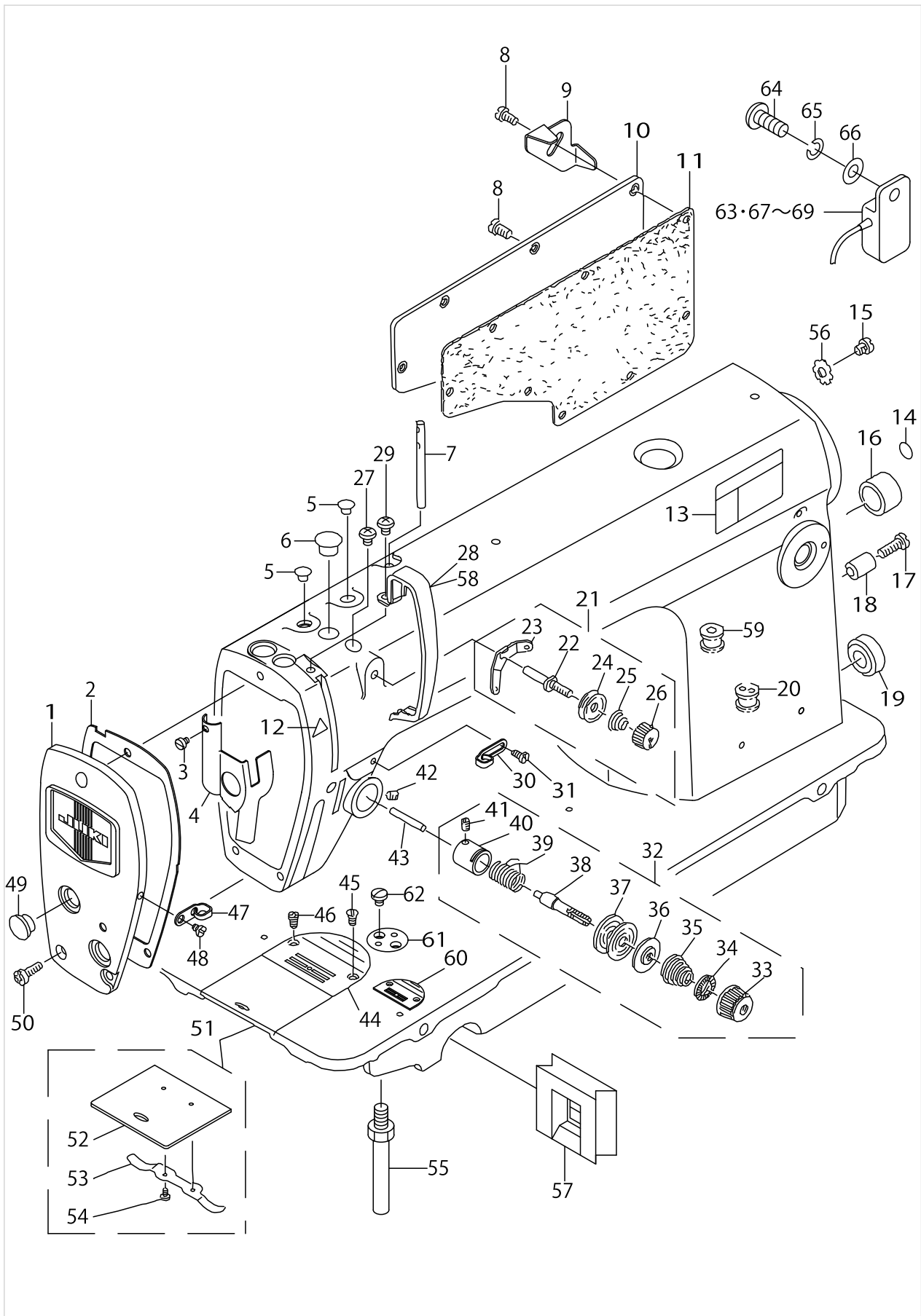
PARTS LIST

Published:05/12/2017

CONTENTS

MACHINE FRAME & MISCELLANEOUS COVER COMPONENTS	1
MAIN SHAFT COMPONENTS	5
NEEDLE BAR, UPRIGHT SHAFT & HOOK DRIVING SHAFT COMPONENTS	7
HAND LIFTER COMPONENTS	9
FEED MECHANISM COMPONENTS.....	13
THREAD TRIMMER COMPONENTS	17
AUTOMATIC REVERSE FEED COMPONENTS.....	21
WIPER COMPONENTS.....	23
OIL LUBRICATION COMPONENTS.....	25
OIL RESERVOIR COMPONENTS	27
BELT COVER & BOBBIN COMPONENTS.....	29
THREAD STAND COMPONENTS.....	31
EXCLUSIVE PARTS FOR DDL-8500H-7.....	33
EXCLUSIVE PARTS FOR DDL-8500A-7.....	37
HOW TO MAKE USE OF THIS PARTS LIST	39

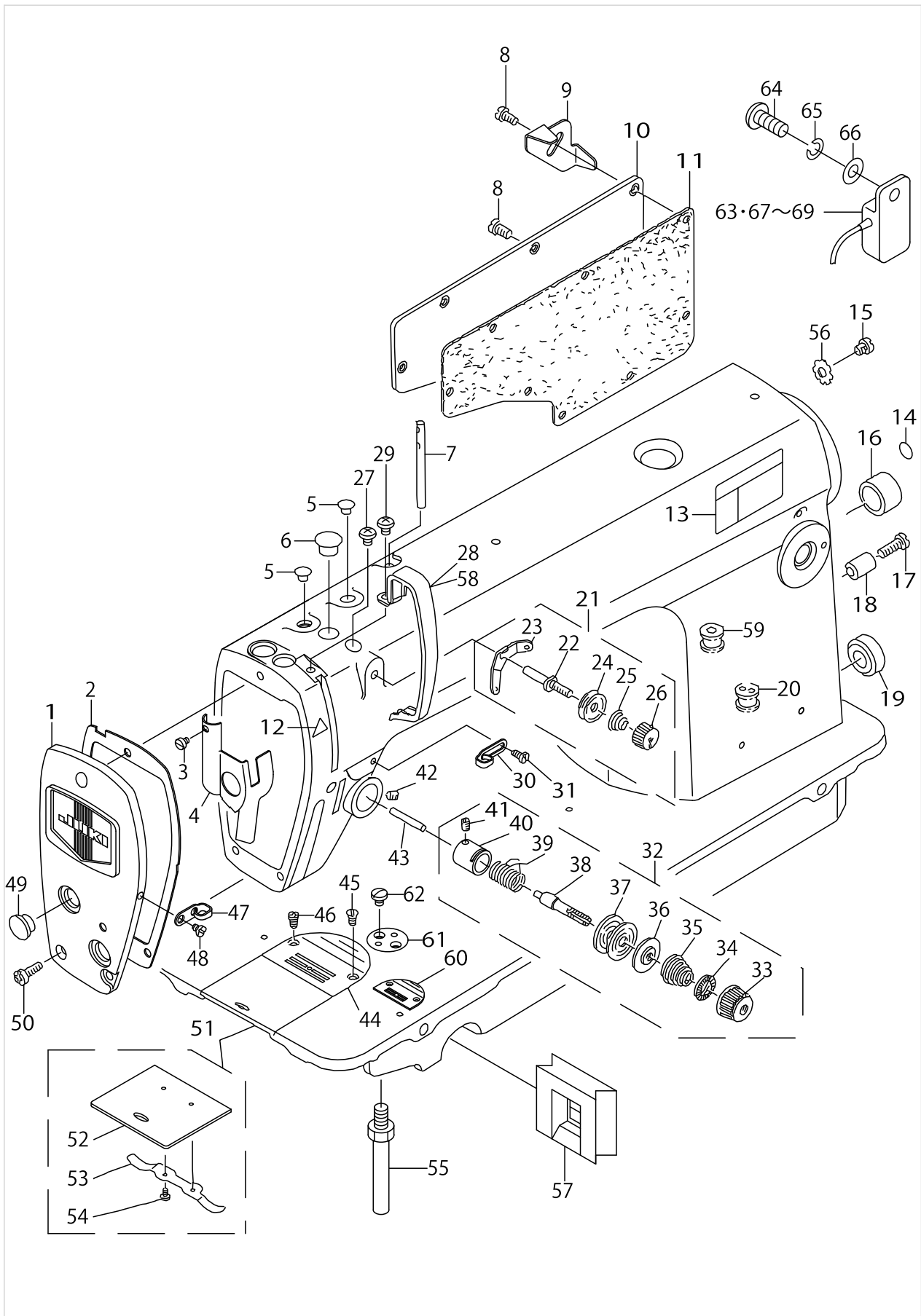
MACHINE FRAME & MISCELLANEOUS COVER COMPONENTS



MACHINE FRAME & MISCELLANEOUS COVER COMPONENTS

No.	Supply Code	Parts No.	Replacement	Parts name	Remarks	Choice	Step	Level	Cons	Qty	Rep. QTY
1		22902159		FASE PLATE ASM.						1	
2	R	22902209	40012126	FASE PLATE GASKET						1	1.00
3		SS6080410SP		SCREW 1/8-44 L=4						1	
4		22900757		ARMOIL SHIFLD ASM.						1	
5		TA0850604R0		RUBBER PLUG						2	
6		TA1250705R0		RUBBER PLUG						1	
7		22958300		THREAD GUIDE ROD						1	
8		SS4120915SP		SCREW 3/16-28 L=9						8	
9		22954705		CORD HOLDER	EXCEPT D-DL-8500-7-00					1	
10		22900401		SIDE PLATE						1	
11	R	11000619	40012129	GASKET						1	1.00
12		CM300200001		ATTENTION SEAL	FOR JE					1	
13		CM3002001A1		SAFETY LABEL.,3 (SMALL).	EXCEPT JE					1	
14	R	10004109	22901805	GROUND MARK						1	1.00
15		SS4120615SP		SCREW 3/16-28 L=6						1	
16		TA2000502R0		RUBBER PLUG						1	
17		SS6121840SP		SCREW 3/16-28 L=18	FOR DDL--8500-7-0B,-WB					1	
18		22952501		REVERSE FEED LEVER STOPPER	FOR DDL--8500-7-0B,-WB					1	
19		TA2101002R0		RUBBER PLUG						1	
20	R	22935308	11100104	MAGNET CORD RUBBER	FOR DDL--8500-7-0B,-WB					1	1.00
21	R	22945455	22945463	THREAD TENSION ASM.						1	1.00
22	D	22945406		FIRST TENSIONPOST				*		1	
23	R	22945604	22963458	THREAD TENSION GUIDE		A				1	1.00
23	R	22945604	22945463	THREAD TENSION GUIDE		B				1	1.00
24		22945802		BOBBIN WINDER TENSION DISC				*		2	
25		22945505		THREAD TENSION SPRING				*		1	
26		22945703		THREAD TENSION NUT				*		1	
27		SS4120615SP		SCREW 3/16-28 L=6						1	
28		22900609		THREAD TAKE-UP LEVER COVER						1	
29		SS4120615SP		SCREW 3/16-28 L=6						1	
30		22920508		ARMTHREADGUIDEA						1	
31	R	11001500	22921001	SCREW						1	1.00
32		22945356		THREAD TENSION ASM.						1	
33		22921308		TENSION NUT				*		1	
34		22921407		ROTATING STOPPER				*		1	
35		22921704		TENSION SPRING A				*		1	
36		22921803		THREAD TENSION DISK PRESSER				*		1	
37		22921506		THREAD TENSION DISK				*		2	
38		22921209		TENSION POST				*		1	
39		22921605		TAKE-UP SPRING				*		1	
40		22945307		TENSION POST SOCKET				*		1	
41		SS8090670SP		SCREW 9/64-40 L=5.5				*		1	
42	R	SS8150710SP	SS8150710TP	SCREW 15/64-28 L=7						1	1.00

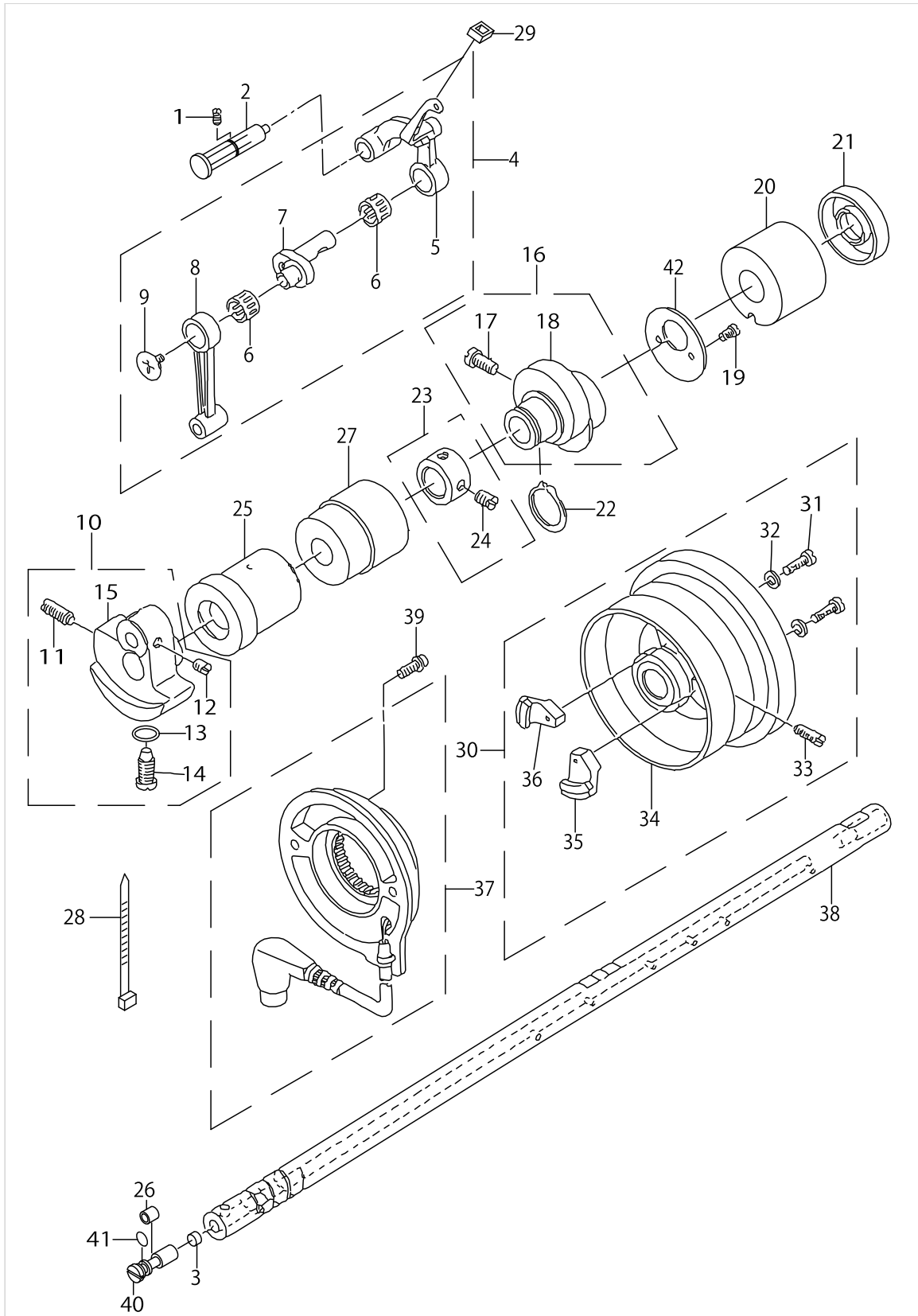
MACHINE FRAME & MISCELLANEOUS COVER COMPONENTS



MACHINE FRAME & MISCELLANEOUS COVER COMPONENTS

No.	Supply Code	Parts No.	Replacement	Parts name	Remarks	Choice	Step	Level	Cons	Qty	Rep. QTY
43	R	B3118552E00	22920904	TENSION RELEASING						1	1.00
44		B1109012I0B		THROAT PLATE (I)						1	
45		SS2110920TP		SCREW 11/64-40 L=8.5						1	
46		SS2110915SP		SCREW 11/64-40 L=8.5						1	
47		22920607		ARMTHREADGUIDEB						1	
48		SS6110610TP		SCREW 11/64-40 L=6						1	
49		TA1250406R0		RUBBER PLUG D=12.5 L=4						2	
50		SS4120915SP		SCREW 3/16-28 L=9						3	
51		22901250		BED SLIDE ASM.						1	
52	R	22901201	22901250	SLIDE PLATE				*		1	1.00
53		22901300		BED SLIDE SPRING				*		1	
54		SS6060210SP		SCREW 3/32-56 L=1.9				*		2	
55		22901003		BED SCREW STUD						4	
56		WT0530002KS		TOOTHED WASHER D=5.3						1	
57		22935407		RUBBER PLATE						1	
58	R	18077503	11415205	THREAD TAKE-UP LEVER COVER	FOR JE					1	1.00
59		22935209		RUBBER BUSHING	FOR DDL-- 8500-7-00					1	
60		B1109552000		THROAT PLATE	FOR JA					1	
61		22902605		RULER STOPPER						1	
62		SS7110540SP		SCREW 11/64-40 L=5						2	
63	D	M6008350AAC		RESISTANCE PACK AC ASM.						1	
64		SS4121215SP		SCREW 3/16-28 L=12						1	
65		WS0510002KP		SPRING WASHER 5.1X9.2X1.3						1	
66		WP0501016SD		WASHER 5X10.5X1						1	
67	D	M6008350AAA		RESISTANCE PACK AA ASM.	FOR JA					1	
68		M6008350AAF		RESISTANCE PACK AF ASM.	FOR JE					1	
69		M6008350AAL		RESISTANCE PACK AL ASM.	FOR JH					1	

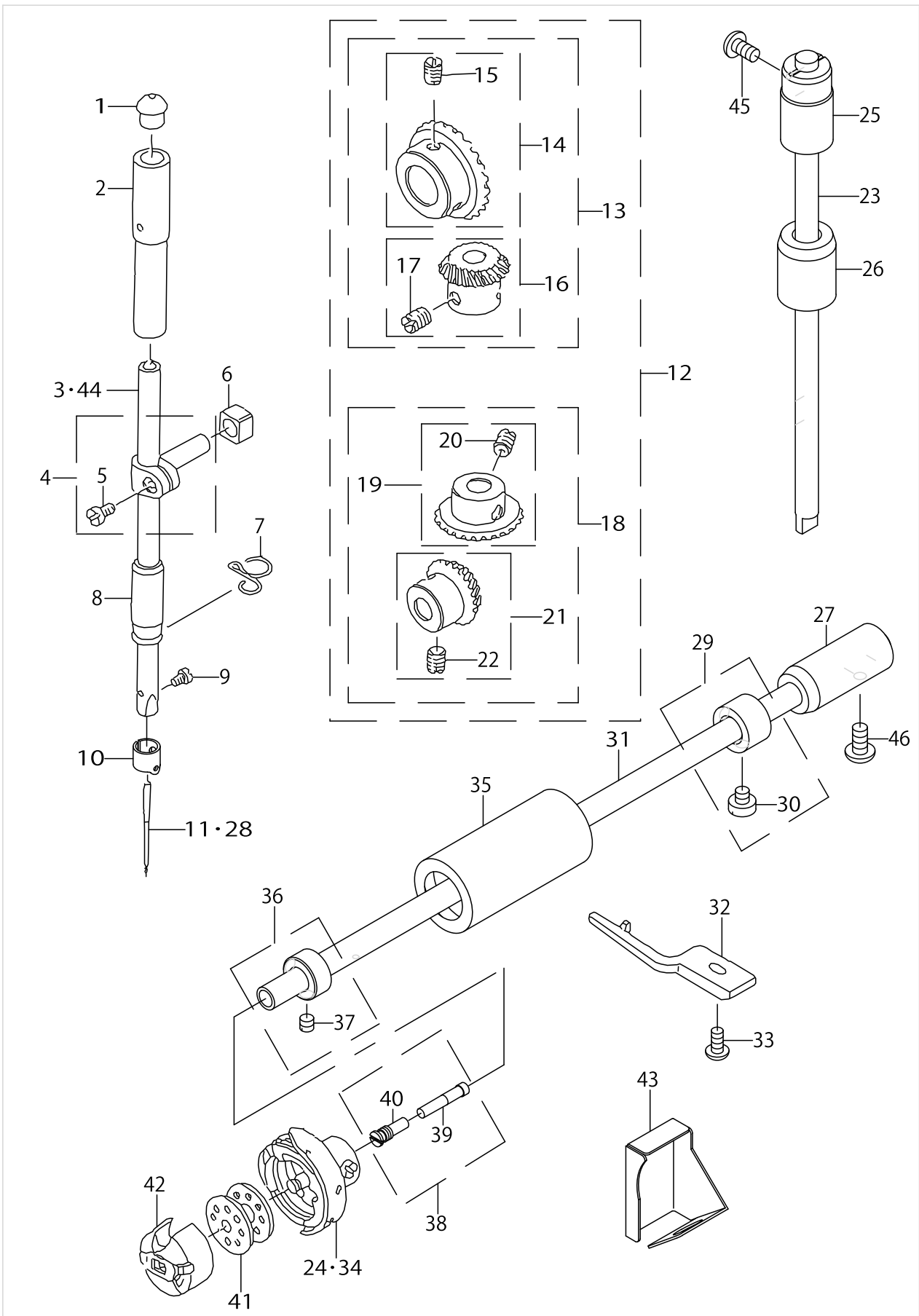
MAIN SHAFT COMPONENTS



MAIN SHAFT COMPONENTS

No.	Supply Code	Parts No.	Replacement	Parts name	Remarks	Choice	Step	Level	Cons	Qty	Rep. QTY
1	R	SS8151150SP	SS8151150TP	SCREW 15/64-28 L=10.5						1	1.00
2		22919559		THREAD TAKE-UP CRANK SHAFT ASM						1	
3	R	22903702	11002904	ROLLER FELT						1	1.00
4	R	11039070	22918072	THREAD TAKE-UP LEVER ASM.						1	1.00
5	R	11039062	22918072	THREAD TAKE-UP LEVER ASM.				*		1	1.00
6		B1905541B00		NEEDLE BEARING	SELECTIVE PART(A~D)			*		1	
7	R	11005204	22918106	NEEDLE BAR CRANK				*		1	1.00
8	R	B1408552000	22906606	NEEDLE BAR CRANK ROD				*		1	1.00
9		B1903552000		LEFT SCREW				*		1	
10		22903157		COUNTER WEIGHT ASM.						1	
11		SS8681650TP		SCREW 9/32-28 L=16				*		1	
12		SS8660610TP		SCREW 1/4-40 L=6				*		2	
13		RO044240100		RUBBER RING				*		1	
14		SS7681650TP		SCREW 9/32-28 L=16				*		1	
15	R	22903108	22903157	COUNTER WEIGHT				*		1	1.00
16		22910053		FEED DRIVE ECCENTRIC CAM ASM.						1	
17		SS6661110SP		SCREW 1/4-40 L=11				*		2	
18	R	22910004	22910053	FEED DRIVE ECCENTRIC CAM				*		1	1.00
19	R	SS6090650SP	SS6090670TP	SCREW 9/64-40 L=6						2	1.00
20	R	22903405	11002409	MAIN SHAFT BUSHING, REAR						1	1.00
21	R	22903504	40105231	OIL SEAL						1	1.00
22		RC1850001KP		SNAP RING 18.5						1	
23		22904155		THRUST COLLAR ASM.						1	
24		SS8660610TP		SCREW 1/4-40 L=6				*		2	
25		22903207		MAIN SHAFT FRONT BUSHING						1	
26	R	22904007	B1215552000	OIL ADJUSTING COLLAR						1	1.00
27		22903306		BUSHING,INTERMEDIATE						1	
28		EA9500B0100		CABLE BAND						1	
29		22919203		RUBBER						1	
30	R	22937064	11071495	HAND WHEEL COMPL.						1	1.00
31		SS6111210SP		SCREW11/64-40L=12				*		2	
32		WP0450801SD		WASHER 4.5X10X0.8				*		2	
33		SS8151550SP		SCREW15/64-28L=15				*		2	
34	D	22937056		HAND WHEEL ASM.				*		1	
35		M40071100AA		MAGNET FITTING BASE A ASM.				*		1	
36		M40071100AB		MAGNET FITTING BASE B ASM.				*		1	
37	R	11032562	22937965	DYNAMO STATOR						1	1.00
38		22903009		MAIN SHAFT						1	
39		SL4051001MZ		SCREW M5 L=9.6						2	
40		22903900		OIL AMOUNT ADJUSTING PIN						1	
41		RO029180100		RUBBER RING						1	
42		22910103		THRUST COLLAR						1	

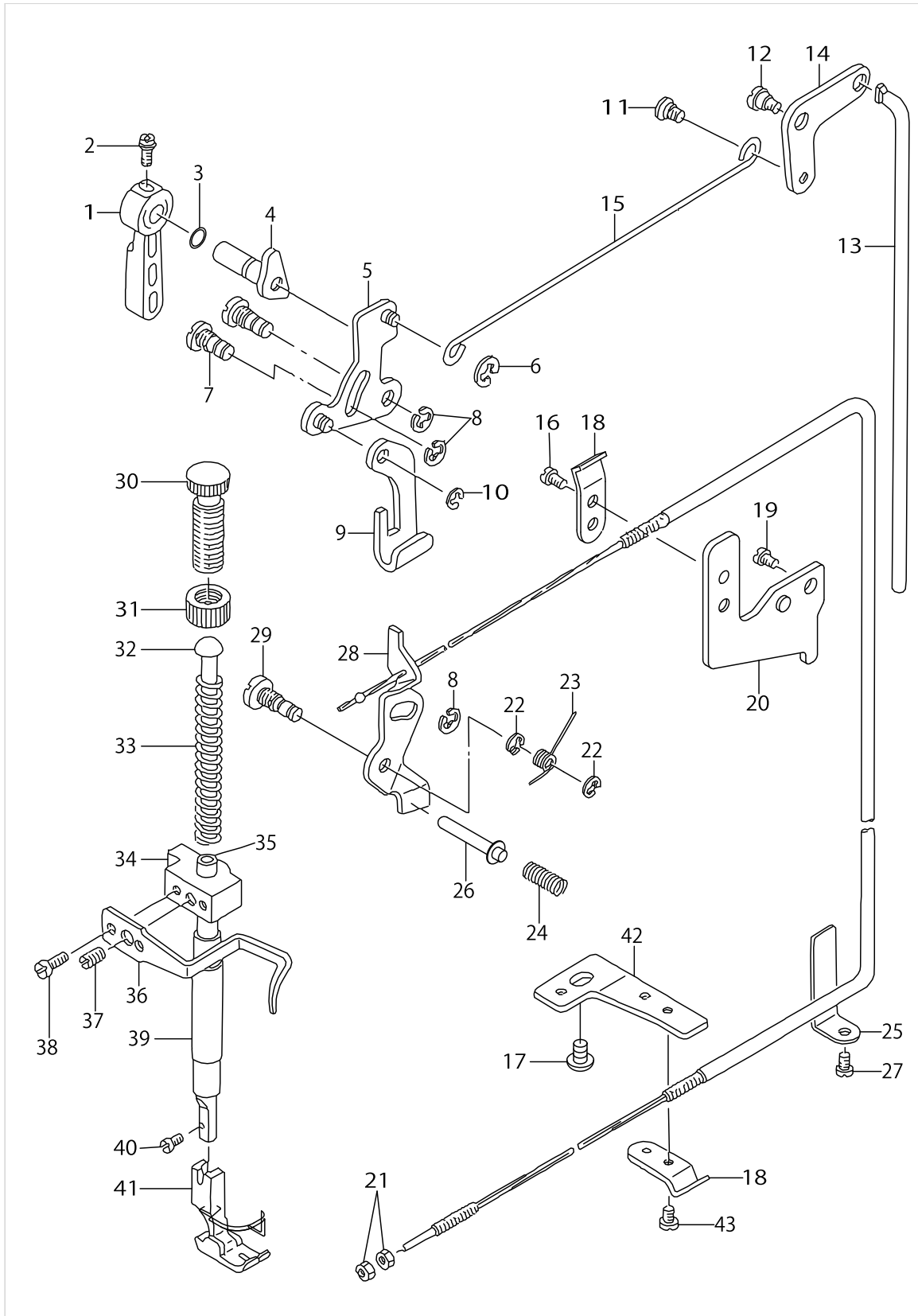
NEEDLE BAR, UPRIGHT SHAFT & HOOK DRIVING SHAFT COMPONENTS



NEEDLE BAR, UPRIGHT SHAFT & HOOK DRIVING SHAFT COMPONENTS

No.	Supply Code	Parts No.	Replacement	Parts name	Remarks	Choice	Step	Level	Cons	Qty	Rep. QTY
1		22901409		CAP						1	
2		22906101		NEEDLE BAR BUSHING ,UPPER						1	
3		22939508		NEEDLE BAR						1	
4		22906457		NEEDLE ROD HOLDER ASM.						1	
5		SS6090670TP		SCREW 9/64-40 L=6				*		1	
6	R	22906507	B1414555000	SLIDE BLOCK						1	1.00
7	R	11018801	22920805	NEEDLE BAR THREAD GUIDE						1	1.00
8		22906200		NEEDLE BAR BUSHING, LOWER						1	
9		SS7080510TP		SCREW 1/8-44 L=4.5						1	
10		22906309		NEEDLE BAR THREAD GUIDE						1	
11		MDB100B1400		NEEDLE DBX1 #14						1	
12	R	B13061550C0	B13071550C0	GEAR & PINION ASM.						1	1.00
13		B13061550B0		GEAR & PINION ASM., UPPER				*		1	
14		B13050120A0		GEAR ASM.				*		1	
15		SS8660810TP		SCREW 1/4-40 L=8				*		2	
16		B13061550A0		PINION ASM.				*		1	
17		SS8660810TP		SCREW 1/4-40 L=8				*		2	
18		B13071550B0		GEAR & PINION ASM., LOWER				*		1	
19		B13071550A0		GEAR ASM. LARGE				*		1	
20		SS8660810TP		SCREW 1/4-40 L=8				*		2	
21		B13081550A0		PINION ASM.				*		1	
22		SS8660810TP		SCREW 1/4-40 L=8				*		2	
23		22905004		UPRIGHT SHAFT						1	
24		11141355		HOOK ASM.						1	
25		22905103		UPRIGHT SHAFT BUSHING ,LOWER						1	
26		22905202		UPRIGHT SHAFT BUSHING ,LOWER						1	
27		22916308		BUSHING ,REAR						1	
28		MC200500900		NEEDLE 134 90	FOR JE					1	
29		22917157		THRUST COLLAR ASM.						1	
30		SS6110420TP		SCREW 11/64-40 L=4.8				*		2	
31		22916001		LOWER SHAFT						1	
32		22942502		BOBBIN CASE HOLDER						1	
33		SS4110915SP		SCREW 11/64-40 L=9						1	
34		11038650		HOOK ASM.	FOR JH					1	
35		22916100		LOWER SHAFT FRONT METAL						1	
36		22917058		THRUST COLLAR ASM.						1	
37		SS8110410TP		SCREW 11/64-40 L= 3.5				*		2	
38		22916555		OILSEALSCREWASM.						1	
39	R	22916605	11015906	OIL WICK				*		1	1.00
40		22916506		OIL SEAL SCREW				*		1	
41		22932909		BOBBIN						1	
42		11038759		BOBBIN CASE ASM.						1	
43		22942601		OIL SHIELD						1	
44		11141207		NEEDLE BAR	FOR JE,JO					1	
45		SS4120915SP		SCREW 3/16-28 L=9						1	
46		SS4120915SP		SCREW 3/16-28 L=9						1	

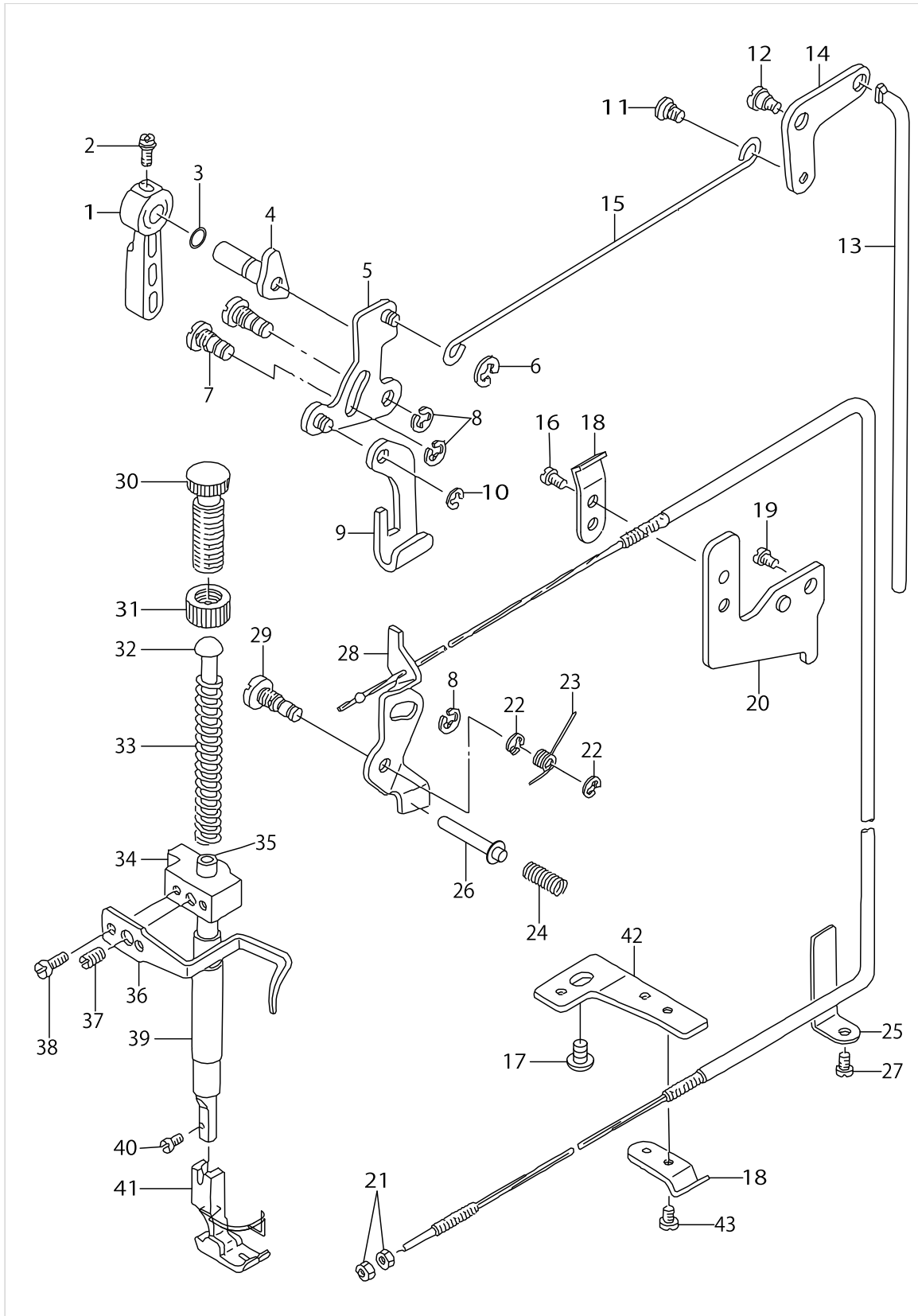
HAND LIFTER COMPONENTS



HAND LIFTER COMPONENTS

No.	Supply Code	Parts No.	Replacement	Parts name	Remarks	Choice	Step	Level	Cons	Qty	Rep. QTY
1		22907802		HAND LIFTER						1	
2		B1521555000		SCREW						1	
3		RO037180100		RUBBER RING						1	
4		22908552		HAND LIFTER CAM ASM.						1	
5	R	22908156	22908354	HAND LIFTER LINK						1	1.00
6		RE0500000K0		E-RING						1	
7	R	11006509	22908701	LINK SHAFT						2	1.00
8		RE0500000K0		E-RING						3	
9	R	22908008	22908354	LIFTING LEVER		A	DDL-5550 5550N 555- ON-7 5556- N-7 5600NL-7			1	1.00
9	R	22908008	23609357	LIFTING LEVER		B	DDL-9000A 9000B			1	1.00
9	R	22908008	40057398	LIFTING LEVER		C	LH-3500			1	1.00
9	R	22908008	40174387	LIFTING LEVER		D	DDL-9000C			1	1.00
10		RE0500000K0		E-RING						1	
11		22908909		HINGE SCREW						1	
12		SD0720331SP		HINGE SCREW D= 7.24 H= 3.3						1	
13		22909006		CONNECTING ROD VERTICAL						1	
14		22908800		LIFTING LEVER LINK						1	
15		22908305		LIFTING LEVER CONNECTING ROD						1	
16		SS7110720SP		SCREW 11/64-40 L=7						1	
17		SS4150915SP		SCREW 15/64-28 L=9	FOR DDL-- 8500-7-00					1	
18		22944508		WIRE HOLDER A						2	
19		SS4120615SP		SCREW 3/16-28 L=6						1	
20		22944607		WIRE HOLDER BRACKET ,UPPER						1	
21		NS6620310SP		NUT 3/16-32						2	
22		RE0500000K0		E-RING						2	
23		22920201		TENSION RELEASE RETURN SPRING						1	
24	R	11018405	22920409	TENSION RELEASE PIN SPRING						1	1.00
25		22945109		WIRE CABLE HOLDER						1	
26	R	11018306	22920300	TENSION RELEASE SUPPORTING PIN						1	1.00
27		SS4120615SP		SCREW 3/16-28 L=6						1	
28		22944854		THREAD RELEASE WIRE ASM.						1	
29	R	11018108	22920102	TENSION RELEASE SHAFT						1	1.00
30	R	22907505	22907554	PRESSER ADJUSTING SCREW						1	1.00
31	R	22907604	22907554	PRESSER ADJUSTING SCREW NUT						1	1.00
32		22907703		PRESSER GUIDE BAR						1	
33		22907406		PRESSER ADJUSTING SPRING						1	
34		22907208		PRESSER BAR GUIDE BRACKET						1	
35	R	22907000	40017805	PRESSER BAR						1	1.00
36		22907307		PRESSER BAR THREAD GUIDE						1	
37		SS8660810TP		SCREW 1/4-40 L=8						1	
38		SS6090910SP		SCREW 9/64-40 L=9						2	
39		22907109		PRESSER BAR BUSHING, LOWER						1	
40	R	SS7091110SP	SS7091110TP	SCREW 9/64-40 L=10.5						1	1.00
41		B15240120BA		PRESSER FOOT ASM.						1	

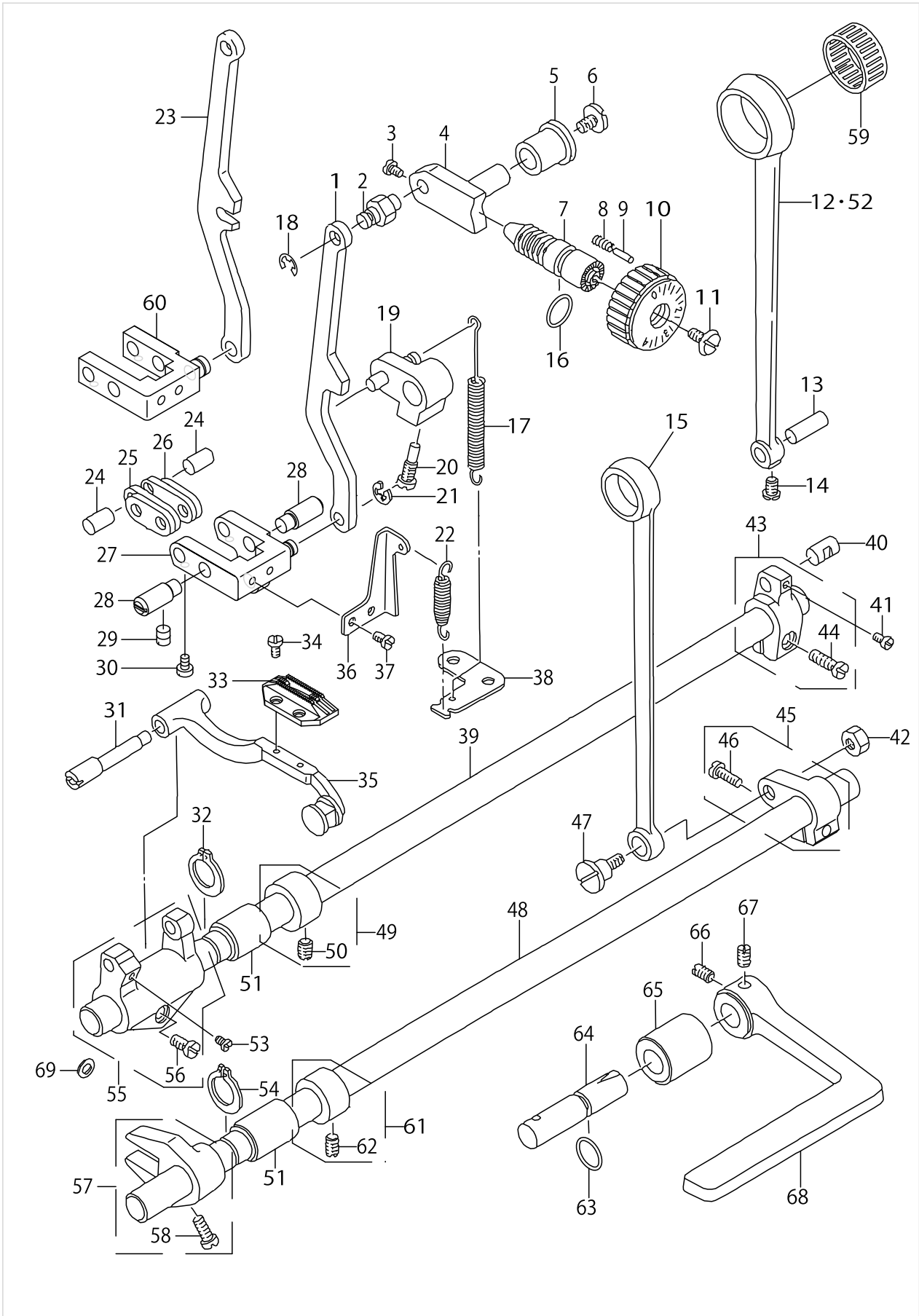
HAND LIFTER COMPONENTS



HAND LIFTER COMPONENTS

No.	Supply Code	Parts No.	Replacement	Parts name	Remarks	Choice	Step	Level	Cons	Qty	Rep. QTY
42		22944706		WIRE HOLDER BRACKET ,LOWER						1	
43		SS7110410SP		SCREW 11/64-40 L=4						1	

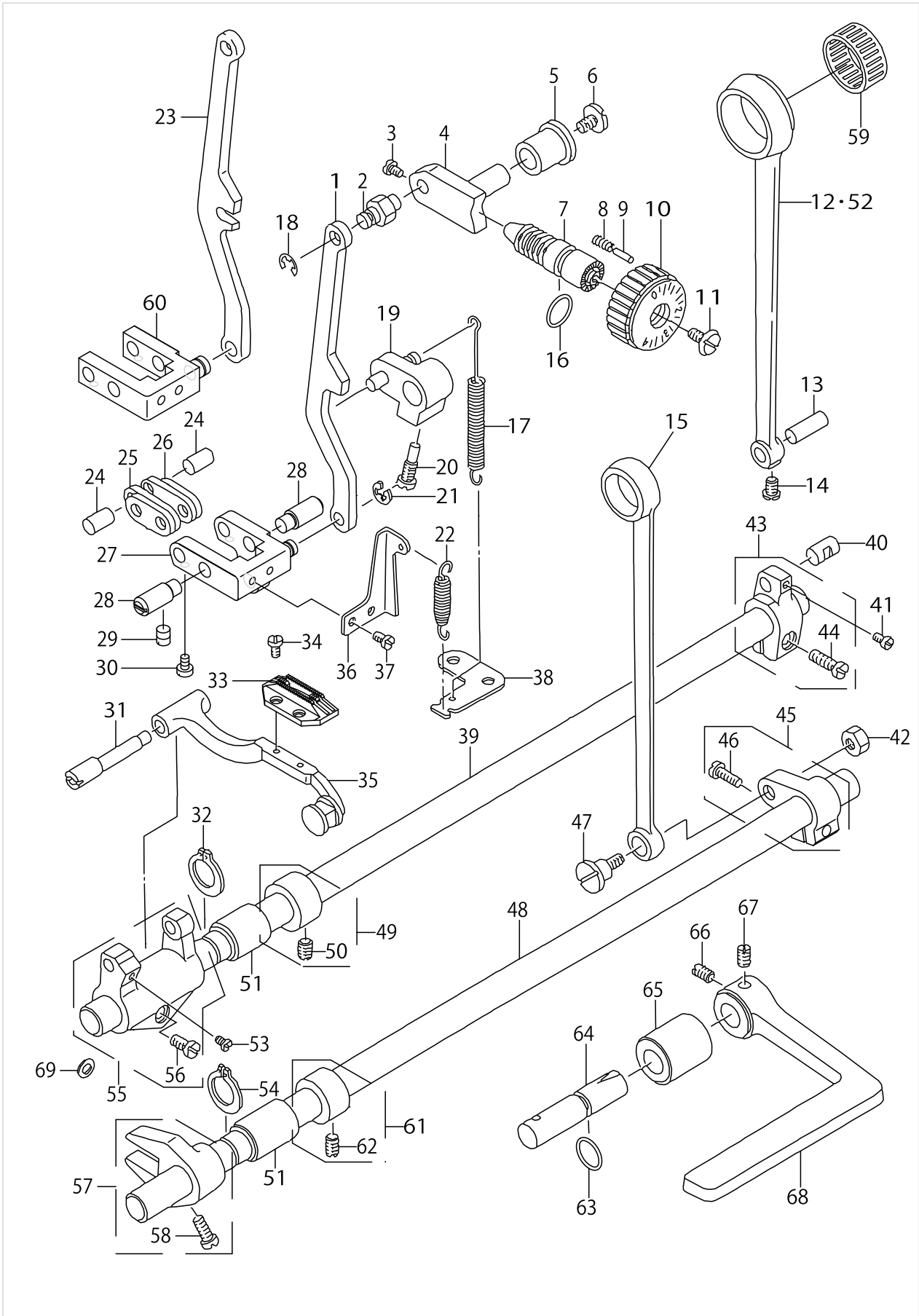
FEED MECHANISM COMPONENTS



FEED MECHANISM COMPONENTS

No.	Supply Code	Parts No.	Replacement	Parts name	Remarks	Choice	Step	Level	Cons	Qty	Rep. QTY
1		22941108		FEED ADJUST ROD	FOR DDL-- 8500-7-0B,-WB					1	
2		22911507		FEED REGULATOR PIN						1	
3		SS6090670TP		SCREW 9/64-40 L=6						2	
4		22911606		FEED REGULATOR						1	
5		22911705		FEED REGULATOR BUSHING						1	
6		SS7120770SH		SCREW 3/16-28 L=7						1	
7		22911804		FEED REGULATOR SCREW						1	
8		22912109		SPRING						1	
9		22912000		PIN						1	
10		22940506		FEED DIAL						1	
11		SS6121860SP		SCREW 3/16-28 L=18						1	
12	R	22910202	22910251	ROCKER SHAFT CO- NNECTING ROD						1	1.00
13		22911101		WALKING FOOT PIN C						1	
14	R	SS6090620SP	SS6090620TP	SCREW 9/64-40 L=6						1	1.00
15		22915003		CONNECTING ROD						1	
16		RO092270200		RUBBER RING						1	
17	R	22912406	11010311	FEED REVERSE SPRING						1	1.00
18		RE0500000K0		E-RING						1	
19		22912257		FEED REVERSE ARM ASM.						1	
20	R	11010410	22912505	FEED REVERSE ARM SCREW						1	1.00
21		RE0500000K0		E-RING						1	
22		11037405		ADJUSTING LINK SPRING B						1	
23		22911408		FEED REGULATOR CONNCTING ROD	FOR DDL-- 8500-7-00					1	
24		22910905		WALKING FOOT PIN A						2	
25	R	11008703	40089548	WALKING FOOT LINK						2	1.00
26	R	11008604	40093417	CONNECTING LINK A						2	1.00
27		22940951		FEED ADJUST LINK ASM.	FOR DDL-- 8500-7-0B,-WB					1	
28		22910806		ADJUSTING LINK F- ULCRUM SHAFT A						2	
29	R	SS8150710SP	SS8150710TP	SCREW 15/64-28 L=7						2	1.00
30	R	SS6090620SP	SS6090620TP	SCREW 9/64-40 L=6						2	1.00
31		22940803		FEED BAR SHAFT						1	
32		RC0150001KP		RETAINING RING 13.8						1	
33		B1613012I00		FEED DOG I						1	
34		SS4080620TP		SCREW 1/8-44 L=6						2	
35		22940753		FEED BAR ASM.						1	
36		22941306		ADJUSTING LINK SPRING GUIDE						1	
37		SS4110515SP		SCREW 11/64-40 L=5						2	
38		22913701		FEED SPRING HOOK						1	
39		22912901		FEED ROCKERSHAFT						1	
40		22911002		WALKING FOOT PIN B						1	
41	R	SS6090620SP	SS6090620TP	SCREW 9/64-40 L=6						1	1.00
42		NS6680410SP		NUT 9/32-28						1	
43		22910350		FEED ROCKER SHA- FT CRANK ASM.						1	
44		SS6121610SP		SCREW 3/16-28 L=15.5					*	1	

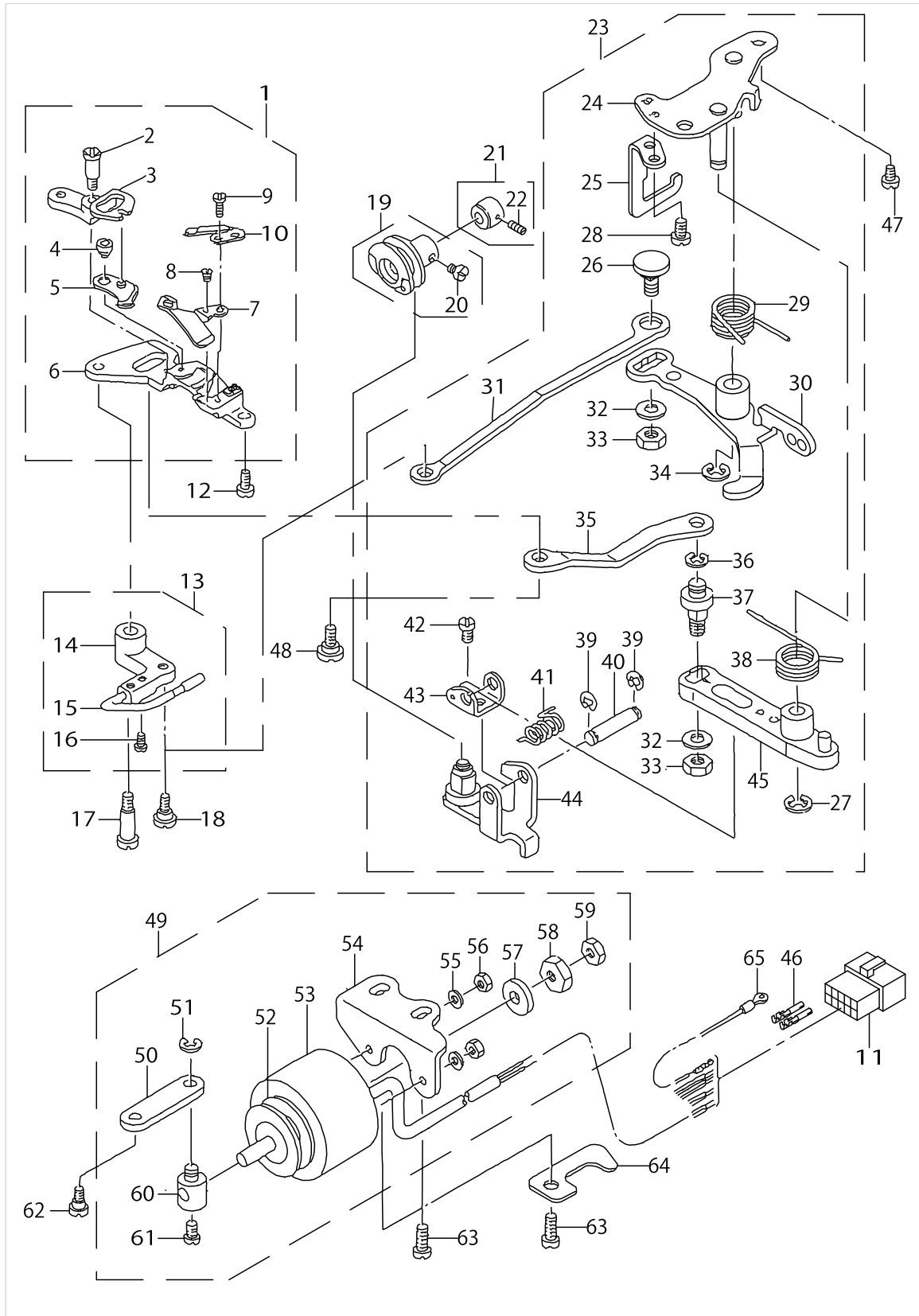
FEED MECHANISM COMPONENTS



FEED MECHANISM COMPONENTS

No.	Supply Code	Parts No.	Replacement	Parts name	Remarks	Choice	Step	Level	Cons	Qty	Rep. QTY
45		22915151		FEED ARM COMPL.						1	
46		SS7121610SP		SCREW 3/16-28 L=15.5				*		1	
47		SD1000801SH		HINGE SCREW D=10 H=8						1	
48		22915201		FEED DRIVING SHAFT						1	
49		22904155		THRUST COLLAR ASM.						1	
50		SS8660610TP		SCREW 1/4-40 L=6				*		2	
51		22913008		FEED ROCKER SHAFT BUSHING						2	
52	R	22913800	22913859	HORIZONTAL FEED ROD B	FOR JE,JA					1	1.00
53		SS7110740TP		SCREW 11/64-40 L=7						1	
54		RC0150001KP		RETAINING RING 13.8						1	
55		22940654		FEED BAR CRANK ASM.						1	
56		SS7121410TP		SCREW 3/16-28 L=14				*		1	
57	R	22942056	22915359	DRIVING SHAFT CRANK ASM.						1	1.00
58	R	SS7111120SP	SS7111120TP	SCREW 11/64-40 L=10.5				*		1	1.00
59		B1636581C00		NEEDLE BEARING	SELECTIVE PART(FOR JE,JA)					1	
60		22910459		WALKING FOOT ADJUSTING LINK	FOR DDL-- 8500-7-00					1	
61		22904155		THRUST COLLAR ASM.						1	
62		SS8660610TP		SCREW 1/4-40 L=6				*		2	
63		RO078190100		RUBBER RING						1	
64		22912604		FEED REVERSE SHAFT						1	
65		22912802		FEED LEVER METAL						1	
66		SM8061010TP		SCREW						1	
67		SM8061050TP		SCREW						1	
68	R	22912703	22912752	REVERSE FEED CONTROL LEVER						1	1.00
69		WP0480856SP		WASHER 4.8X8.4X0.8						1	

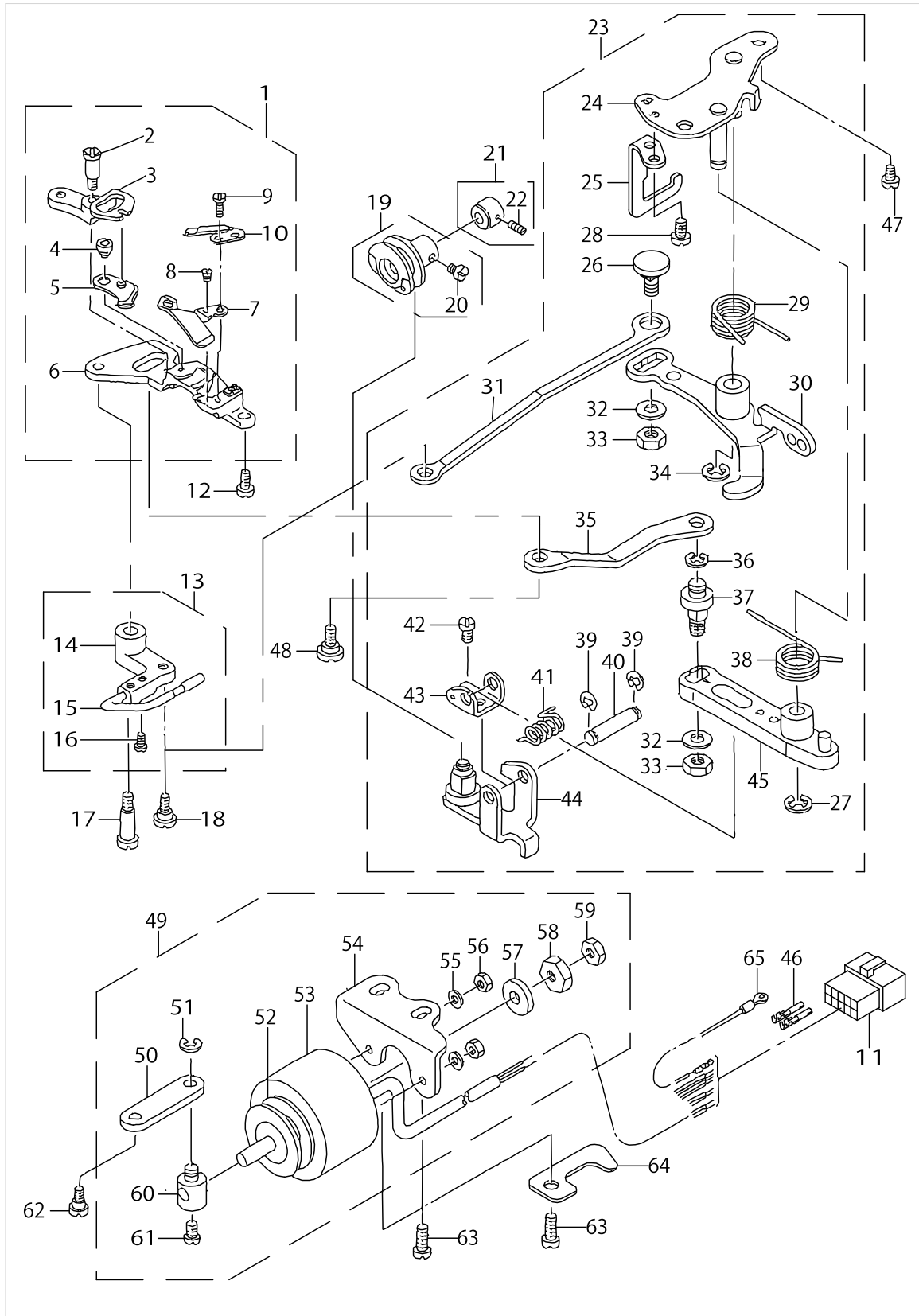
THREAD TRIMMER COMPONENTS



THREAD TRIMMER COMPONENTS

No.	Supply Code	Parts No.	Replacement	Parts name	Remarks	Choice	Step	Level	Cons	Qty	Rep. QTY
1	R	11040359	22947956	KNIFE UNIT						1	1.00
2		SD0460703TP		HINGE SCREW D=4.6 H=7				*		1	
3		11040508		FORKED BASE FOR KNIFE				*		1	
4		11040409		MOVING KNIFE HINGE SCREW				*		1	
5		11040052		MOVING KNIFE ASM.				*		1	
6	R	11040300	22947907	KNIFE MOUNTING BASE				*		1	1.00
7		11040201		THREAD GUIDE FOR KNIFE				*		1	
8		SS2060210SP		SCREW 3/32-56 L=2.3				*		1	
9		SS4080620TP		SCREW 1/8-44 L=6				*		2	
10		D2406555D0H		COUNTER KNIFE				*		1	
11		HK034610140		HOUSING 14P						1	
12		SS4110715SP		SCREW 11/64-40 L=7						1	
13		22950257		PICKER ARM ASM.						1	
14		22950208		PICKER ARM				*		1	
15		22950356		THREAD TAKE-UP PICKER ASM.				*		1	
16	R	SS6090510SP	SS6090510TP	SCREW 9/64-40 L=5				*		2	1.00
17		SD0641451SP		HINGE SCREW D= 6.35 H=14.5						1	
18		SD0630275SP		HINGE SCREW D= 6.35 H= 2.7						1	
19	R	11042850	22950851	THREAD TRIMMER CAM ASM.						1	1.00
20		SS6660610TP		SCREW 1/4-40 L=6				*		2	
21		22950950		CAM COLLAR ASM.						1	
22		SS8110520TP		SCREW 11/64-40 L= 4.5				*		1	
23		22949762		THREAD TRIMMER DRIVING UNIT						1	
24		22949754		BASE PLATE ASM.				*		1	
25		22950703		DRIVING ARM STOPPE				*		1	
26		22950000		PICKER LINK PIN				*		1	
27		RE0600000K0		E-RING 6				*		1	
28		SS4110715SP		SCREW 11/64-40 L=7				*		2	
29		22949408		CLUTCH SPRING				*		1	
30	R	11041852	40087245	CLUTCH PLATE ASM.				*		1	1.00
31		22950109		PICKER LINK				*		1	
32		WP0621016SH		WASHER				*		2	
33		NS6150430SP		NUT 15/64-28				*		2	
34		RE0600000K0		E-RING 6				*		1	
35	R	11040607	22948301	MOVING KNIFE LINK				*		1	1.00
36		RE0500000K0		E-RING				*		1	
37		22948400		MOVING KNIFE LINK PIN				*		1	
38		22949309		KNIFE RETURN SPRING B				*		1	
39		RE0400000K0		E-RING 4				*		2	
40		22949101		ROLLER FULCRUM SHAFT				*		1	
41		22949200		ROLLER FULCRUM SPRING				*		1	
42		SS7090610SP		SCREW 9/64-40 L=6				*		1	
43		22949002		ROLLER ARM BRACKET				*		1	
44	R	22948657	11040953	ROLLER ARM ASM.				*		1	1.00
45	R	11040854	22948558	KNIFE DRIVING ARM ASM.				*		1	1.00
46		HK03464000B		PIN CONTACT						2	

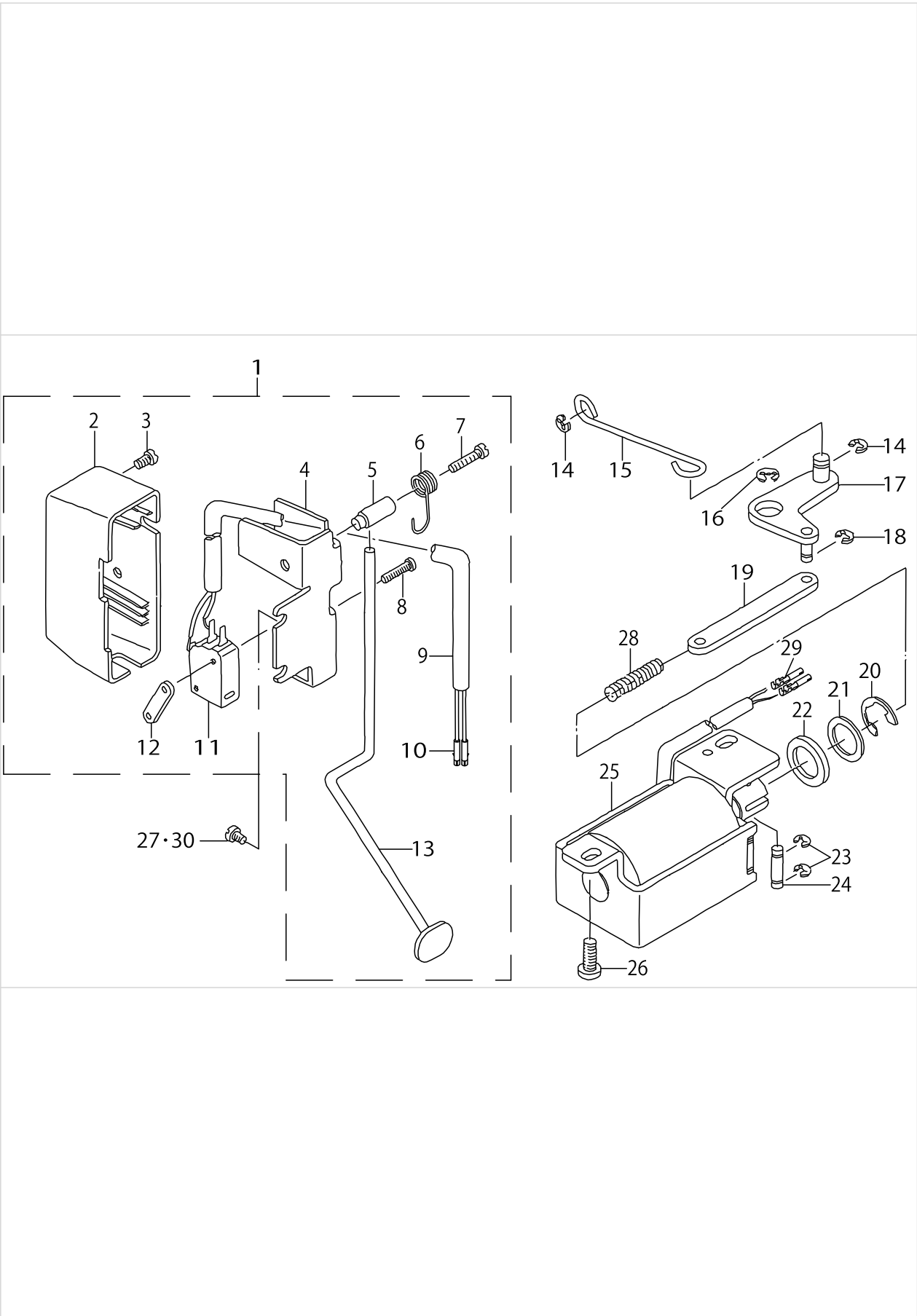
THREAD TRIMMER COMPONENTS



THREAD TRIMMER COMPONENTS

No.	Supply Code	Parts No.	Replacement	Parts name	Remarks	Choice	Step	Level	Cons	Qty	Rep. QTY
47		SS4150915SP		SCREW 15/64-28 L=9						2	
48		SD0640631TP		HINGE SCREW D=6.35 H=6.3						1	
49	R	22951164	40106930	SOLENOID UNIT						1	1.00
50		22949903		CLUTCH LINK				*		1	
51		RE0500000K0		E-RING				*		1	
52		11043205		SOLENOID RUBBER A				*		1	
53	R	11043908	40106930	THREAD TRIMMER SOLENOID				*		1	1.00
54		22951404		SOLENOID BASE				*		1	
55		WP0450000SD		WASHER 4.5X8X0.5				*		2	
56		NM6040000SN		NUT M4				*		2	
57		11043304		SOLENOID RUBBER				*		1	
58		NS6660410SH		NUT				*		1	
59		NS6660430SP		NUT 1/4-40				*		1	
60		22951008		SOLENOID PIN				*		1	
61		SS6110710TP		SCREW 11/64-40 L= 6.5				*		1	
62		SD0600361SP		HINGE SCREW D=6 H=3.6						1	
63		SS4151215SP		SCREW15/64-28L=12						2	
64		22924807		TUBE HOLDER ,LOWER						1	
65	R	11044054	22951552	GROUND WIRE ASM.						1	1.00

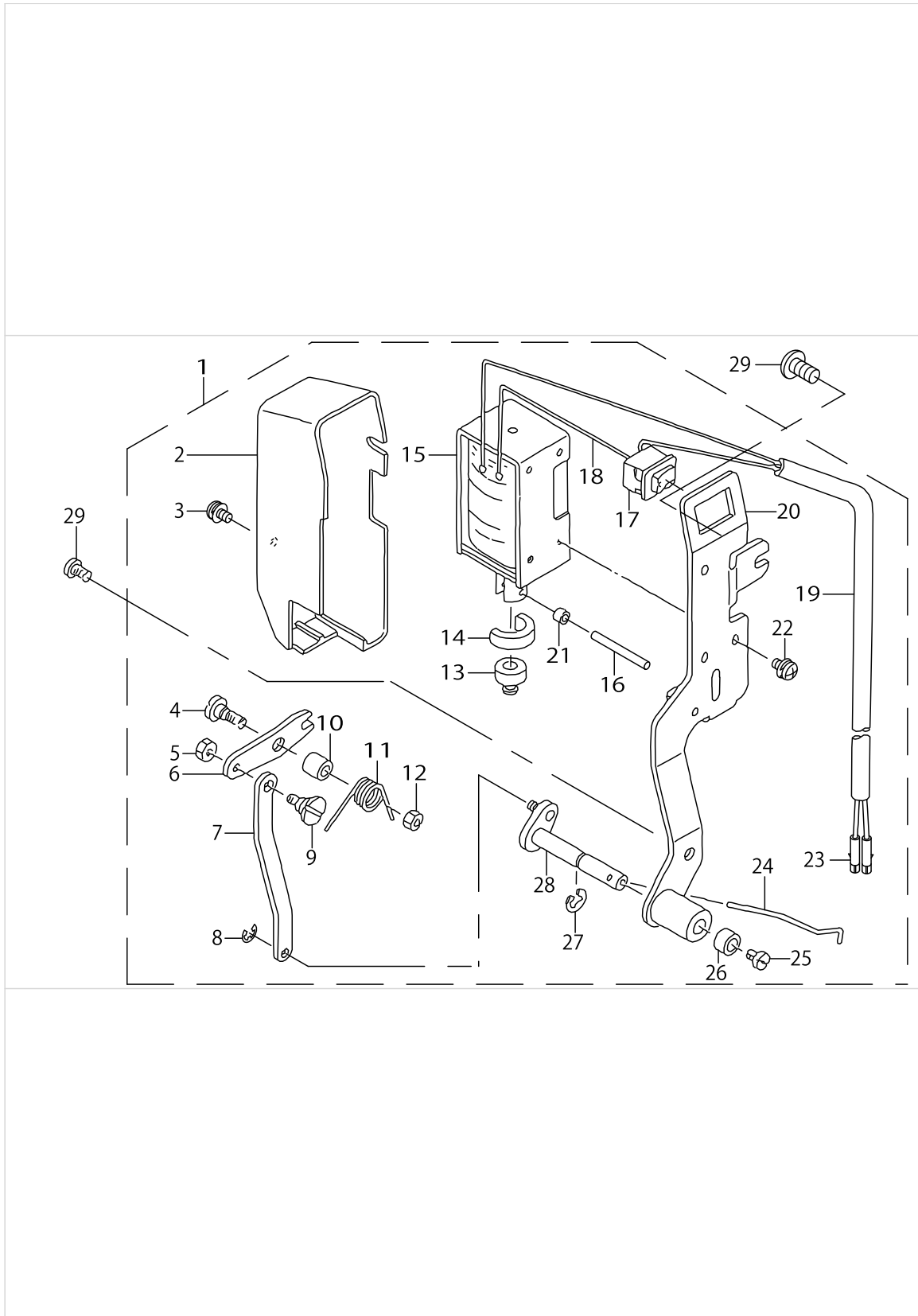
AUTOMATIC REVERSE FEED COMPONENTS



AUTOMATIC REVERSE FEED COMPONENTS

No.	Supply Code	Parts No.	Replacement	Parts name	Remarks	Choice	Step	Level	Cons	Qty	Rep. QTY
1		22954150		REVERSE FEED SWITCH ASM.						1	
2		22954606		REVERSE FEED SWITCH COVER				*		1	
3		SM4040655SP		SCREW M4 L=6				*		1	
4		22954101		REVERSE FEED SWITCH BASE				*		1	
5		22954200		REVERSE FEED SWITCH SHAFT				*		1	
6		22954309		REVERSE FEED SWITCH SPRING				*		1	
7		SM4041655SP		SCREW M4 L=16				*		1	
8		SM4031501SC		SCREW M3 L=15				*		2	
9		HW500070000		2-CORE CABTYRE CORD				*		1.31	
10		HK03464000B		PIN CONTACT				*		2	
11		HA001900000		MICROSWITCH				*		1	
12		22954408		SWITCH HOLDING PLATE				*		1	
13		22954507		REVERSE FEED SWITCH LEVER				*		1	
14		RE0500000KP		E-RING 5						2	
15	R	22953806	11101300	REVERSE FEED CO- NECTING SHAFT						1	1.00
16		RE0900000K0		E-RING 9						1	
17		22953657		CONNECTING ARM ASM.						1	
18		RE0400000KP		E-RING 4						1	
19		22953905		REVERSE FEED CO- NECTING LINK						1	
20		RE1200000K0		E-RING 12						1	
21		WP1602616SZ		WASHER 16X24X2.6						1	
22		D2468555B00		RUBBER PLUNGER						1	
23		RE0400000K0		E-RING 4						2	
24		22953509		PLUNGER ARM PIN						1	
25	R	11102753	40085585	REVERSE FEED MAGNET ASM.						1	1.00
26		SS4151215SP		SCREW 15/64-28L=12						2	
27		SS4120915SP		SCREW 3/16-28 L=9						1	
28		22954002		PLUNGER SPRING						1	
29		HK03464000B		PIN CONTACT						2	
30		SS4120615SP		SCREW 3/16-28 L=6	FOR DDL-- 8500-7-0B					1	

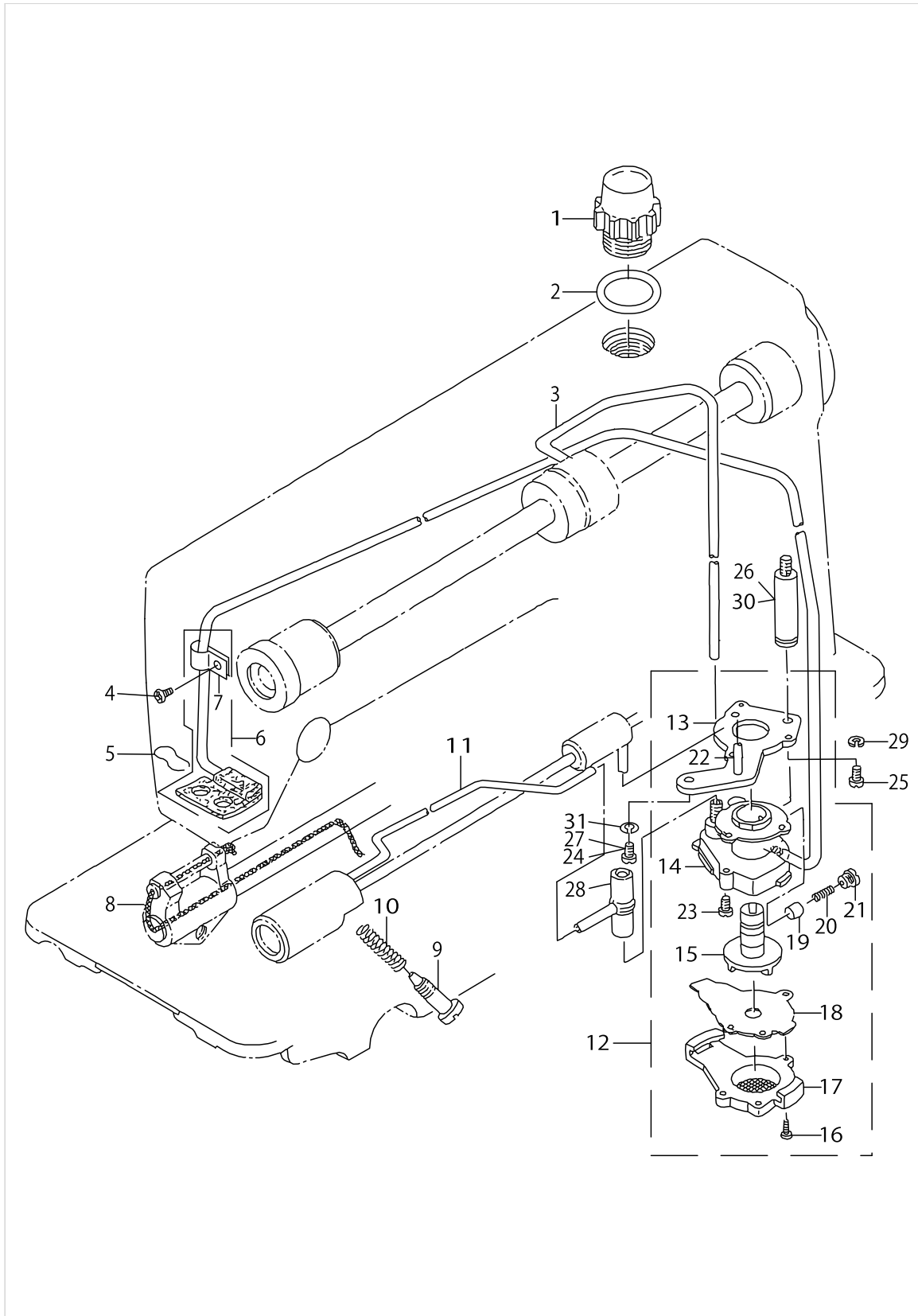
WIPER COMPONENTS



WIPER COMPONENTS

No.	Supply Code	Parts No.	Replacement	Parts name	Remarks	Choice	Step	Level	Cons	Qty	Rep. QTY
1		22955553		WIPER ASM.						1	
2		22955504		WIPER COVER				*		1	
3		SL4030621SS		SCREW M3				*		1	
4		SD0650321TP		HINGE SCREW D=6.5 H=3.2				*		1	
5		NS6090310SP		NUT 9/64-40				*		1	
6	R	11110608	22956106	WIPER LINK A				*		1	1.00
7		22956403		WIPER LINK B				*		1	
8		RE0250000K0		E-RING 2.5				*		1	
9		22956908		WIPER LINK B ,HINGE SCREW				*		1	
10		22956205		WIPER HINGE SCREW COLLAR				*		1	
11		22956304		WIPER SPRING				*		1	
12		NS6110310SP		NUT 11/64-40				*		1	
13		22955900		WIPER RUBBER A				*		1	
14		22956007		WIPER RUBBER B				*		1	
15	R	11110301	40106936	WIPER SOLENOID				*		1	1.00
16		22957104		WIPER SOLENOID SHAFT				*		1	
17		HA000590000		POWER SWITCH				*		1	
18		HW200390000		ELECTRIC WIRE				*		0.04	
19		HW500070000		2-CORE CABTYRE CORD				*		1.33	
20		11110152		WIPER BASE ASM.				*		1	
21		22957203		WIPER LINK COLLAR				*		1	
22		SL4030641SE		SCREW				*		3	
23		HK03464000B		PIN CONTACT				*		2	
24		22957005		WIPER				*		1	
25		SS6090540SP		SCREW 9/64-40 L= 5.0				*		1	
26		22956809		WIPER COLLAR				*		1	
27		RE0500000K0		E-RING				*		1	
28	R	11111051	40041419	WIPER DRIVING SHAFT ASM.				*		1	1.00
29		SS4120915SP		SCREW 3/16-28 L=9				*		1	

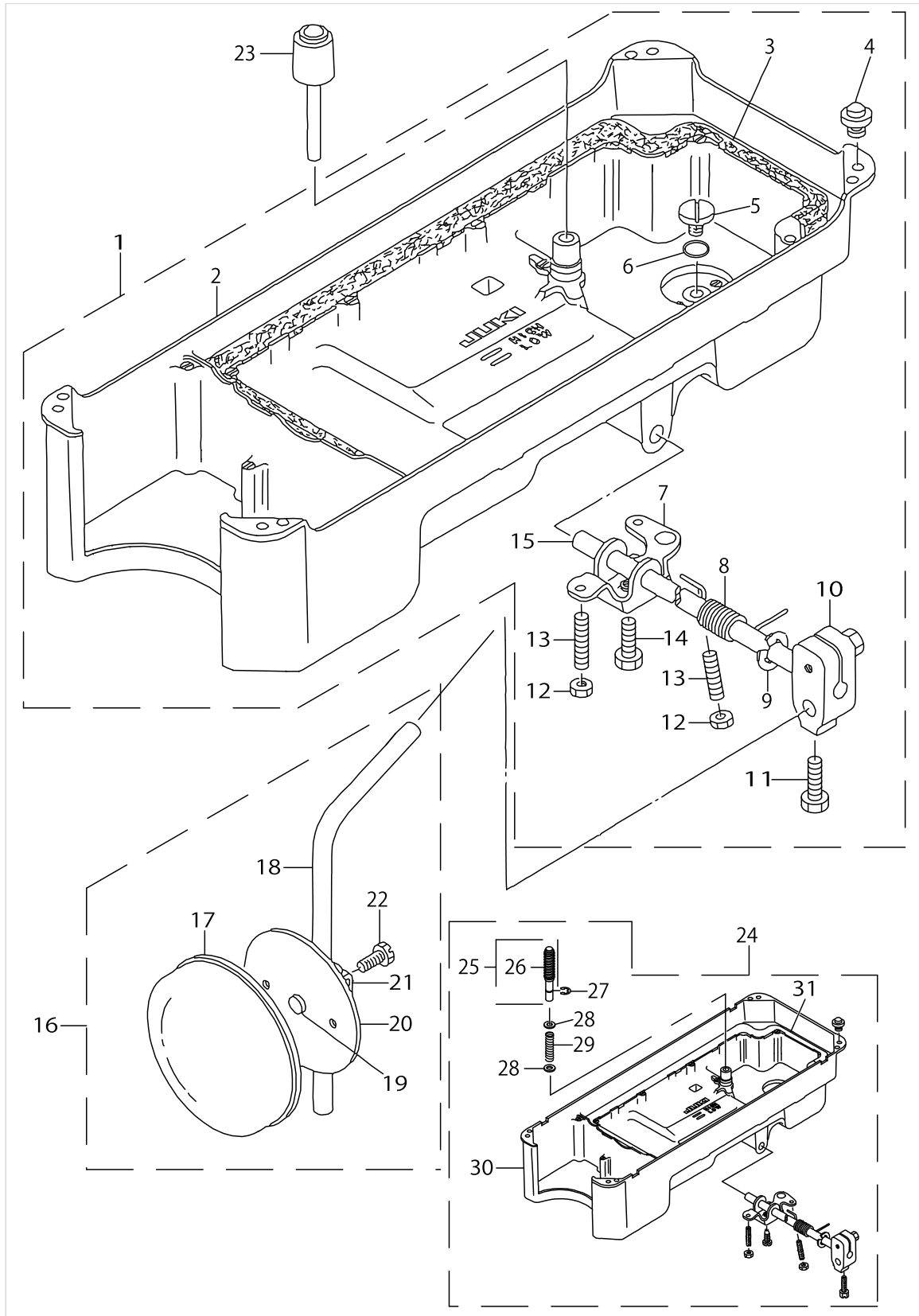
OIL LUBRICATION COMPONENTS



OIL LUBRICATION COMPONENTS

No.	Supply Code	Parts No.	Replacement	Parts name	Remarks	Choice	Step	Level	Cons	Qty	Rep. QTY
1	R	22947006	22924708	OIL SIGHT WINDOW						1	1.00
2		RO195240100		RUBBER RING						1	
3		22924401		MAINSHAFTOILTUBE						1	
4		SS4120615SP		SCREW 3/16-28 L=6						1	
5		22925101		OIL FELT PRESSER						1	
6		22924153		OIL RETURN TUBE ASM.						1	
7		22924302		HOLDER				*		1	
8		CQ252000000		OIL WICK						.21	
9		22925002		OIL ADJUSTING SCREW						1	
10		22924906		SPRING						1	
11		22924500		OIL TUBE						1	
12		22923056		LUBRICATING OIL PUMP ASM.						1	
13	R	22923304	22923056	OIL PUMP INSTALLING BASE				*		1	1.00
14	R	22923007	22923056	OIL PUMP				*		1	1.00
15		22923700		OIL PUMP IMPELLER				*		1	
16		SE4301041SR		SCREW D=3 L=10				*		3	
17		22923205		LUBRICATING OIL PUMP COVER				*		1	
18		22923809		OIL PUMP IMPELLER COVER				*		1	
19		22923403		PLUNGER				*		1	
20		22923601		PLUNGER SPRING				*		1	
21		22923502		PLUNGER SCREW				*		1	
22		22923908		HOOK DRIVING SHAFT OIL TUBE				*		1	
23		SL4030851SF		SCREW M3 L=8				*		3	
24		SS4150915SP		SCREW 15/64-28 L=9	FOR DDL-- 8500-7-00					1	
25		SS6111010TP		SCREW 11/64-40 L= 9.5						1	
26		22947105		OIL PUMP SUPPORT	FOR DDL-- 8500-7-0B,-WB					1	
27		SS4151215SP		SCREW15/64-28L=12	FOR DDL-- 8500-7-0B,-WB					1	
28		22924609		RUBBER JOINT						1	
29		WS0451040KP		SPRING WASHER 4.5X8.5X1	FOR DDL-- 8500-7-0B,-WB					1	
30		22924005		OIL PUMP SUPPORT	FOR DDL-- 8500-7-00					1	
31		WS0651310KP		SPRING WASHER 6.5X11X1.3	FOR DDL-- 8500-7-0B,-WB					1	

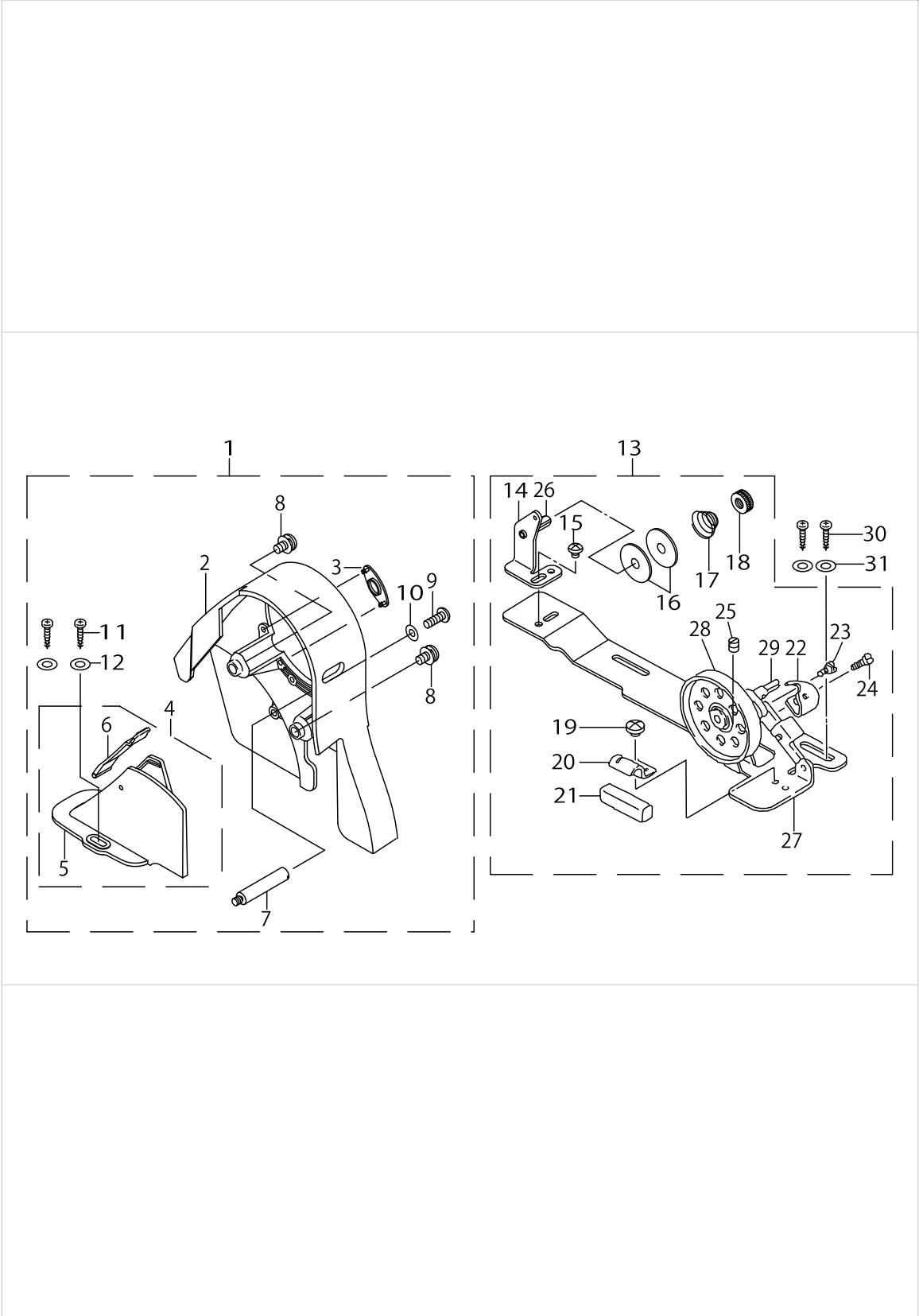
OIL RESERVOIR COMPONENTS



OIL RESERVOIR COMPONENTS

No.	Supply Code	Parts No.	Replacement	Parts name	Remarks	Choice	Step	Level	Cons	Qty	Rep. QTY
1	R	11047057	40102085	OIL RESERVOIR ASM.						1	1.00
2	R	11023017	40102085	OIL RESERVOIR				*		1	1.00
3		11024700		GASKET				*		1	
4		11047107		RUBBER CUSHION				*		4	
5		SS6700710SH		SCREW 5/16-24 L=7				*		1	
6	D	RO108240100		RUBBER RING				*		1	
7	R	11024015	22932156	CONNECTING ROT, VERTICAL				*		1	1.00
8	R	11024106	22932206	SPRING				*		1	1.00
9		RE1000000K0		E-RING 10				*		1	
10	R	11024510	22932453	BRACKET				*		1	1.00
11	R	SM9062053SR	22934707	SCREW M6 L=20				*		2	1.00
12		NM6060001SE		NUT M6				*		2	
13		SM8063012TR		SCREW M6 L=30				*		2	
14		SM9061853SR		SCREW M6 L=17.5				*		1	
15	R	11024205	22932305	KNEE PRESS ROD				*		1	1.00
16		22934251		KNEE PRESS PLATE ASM.						1	
17		22934509		KNEE PRESS PLATE COVER				*		1	
18		22934608		KNEE PRESS PLATE ROD				*		1	
19		22934400		KNEE PRESS PLATE RUBBER				*		1	
20		22934202		KNEE PRESS PLATE				*		1	
21		22934301		KNEE PRESS PLATE HOLDER				*		1	
22		SM9061203SE		SCREW M6 L=12				*		1	
23		22931703		KNEE PRESS LIFTER ROD						1	
24	R	11141454	40102085	OIL RESERVOIR ASM.	FOR JE & JO					1	1.00
25		GAK300010B0		KNEE PRESS LIFTER ROD ASM.	FOR JE & JO			*		1	
26	R	GAK30004000	GAK300010B0	KNEE PRESS LIFTER ROD RUBBER	FOR JE & JO			*		1	1.00
27		RE0400000K0		E-RING 4	FOR JE & JO			*		1	
28		WP0621016SD		WASHER 6.2X13X1	FOR JE & JO			*		2	
29		GAK30005000		SPRING	FOR JE & JO			*		1	
30	R	11141413	40102085	OIL RESERVOIR	FOR JE & JO			*		1	1.00
31	R	11141900	11024700	GASKET	FOR JE & JO			*		1	1.00

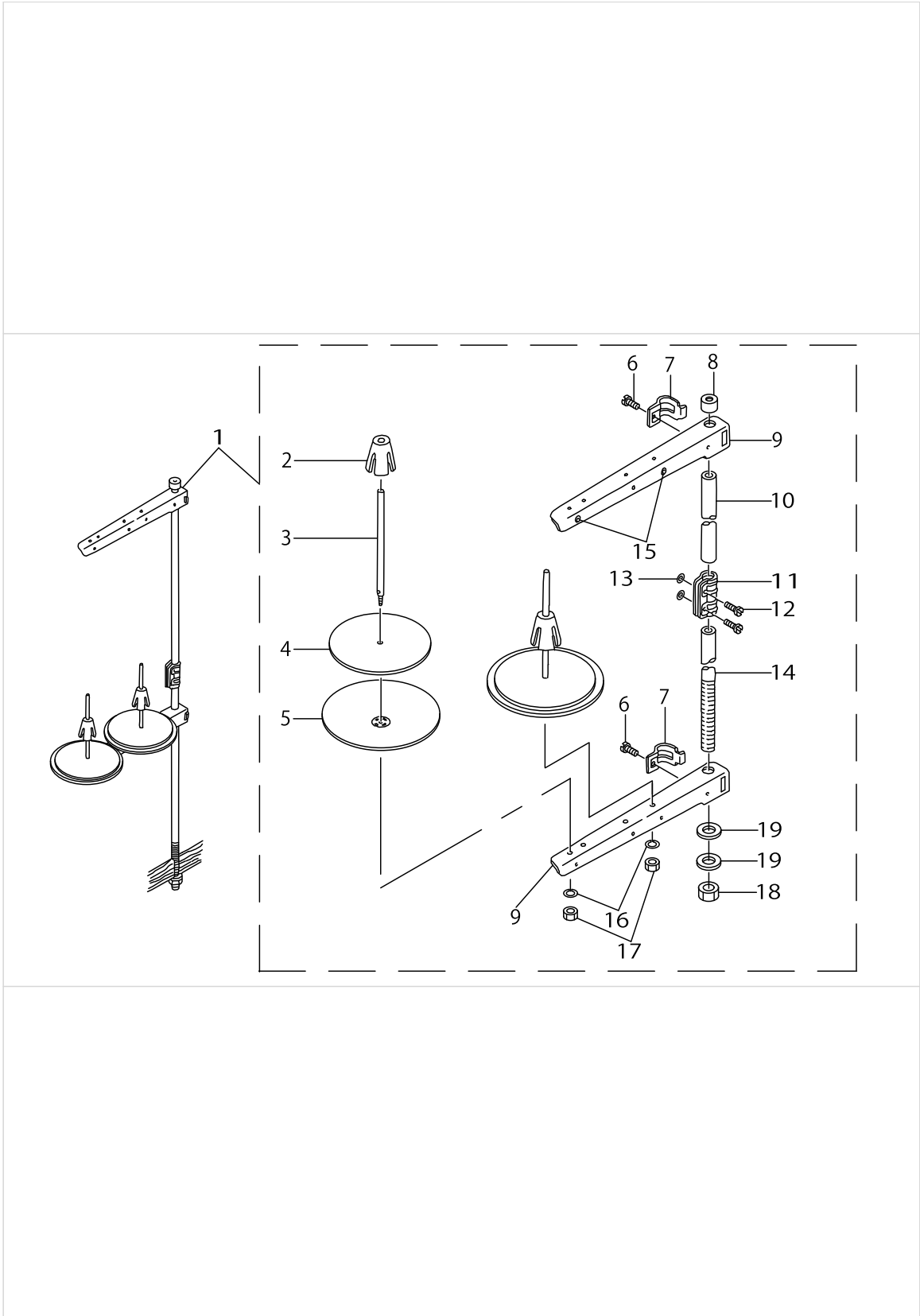
BELT COVER & BOBBIN COMPONENTS



BELT COVER & BOBBIN COMPONENTS

No.	Supply Code	Parts No.	Replacement	Parts name	Remarks	Choice	Step	Level	Cons	Qty	Rep. QTY
1		22933451		BELT COVER ASM.						1	
2	R	22933402	22933451	BELT COVER A				*		1	1.00
3		22933501		BELT COVER A CAP				*		1	
4		22933659		BELT COVER B ASM.				*		1	
5		22933600		BELT COVER B				*		1	
6	R	22933758	22933659	BELT COVER B CAP ASM.				*		1	1.00
7		22933907		BELT COVER SUPPORT ,A				*		1	
8	R	22934004	11025202	BELT COVER A SCREW				*		2	1.00
9		SS4121415SP		SCREW 3/16-28 L=14				*		1	
10		WP0501016SD		WASHER 5X10.5X1				*		1	
11	R	SK3412000SC	SK3412000SE	WOOD SCREW D=4.1 L=20				*		2	1.00
12		WP0450826SC		WASHER 4.5X10X0.8				*		2	
13		22927354		BOBBIN WINDER COMPL.						1	
14	R	22928501	11078250	THREAD TENSION BRACKET				*		1	1.00
15		SS4110515SP		SCREW 11/64-40 L=5				*		1	
16	R	22928907	22921506	THREAD TENSION DISK				*		2	1.00
17		22929004		THREAD TENSION SPRING				*		1	
18		22928808		THREAD TENSION NUT				*		1	
19		SS7110350SP		SCREW 11/64-40 L=3.5				*		1	
20	D	22928402		RUBBER BRAKE PRESSER PLATE				*		1	
21		22928303		RUBBER BRAKE				*		1	
22		22928105		POSITIONINGFINGER				*		1	
23		SD0490261SP		HINGE SCREW D=4.9 H=2.6				*		1	
24		SS7081310SP		SCREW 1/8-44 L=12.5				*		1	
25	R	SS8110510SP	SS8110520TP	SCREW 11/64-40 L=5				*		1	1.00
26	R	22928709	11078250	THREAD TENSION BRACKET				*		1	1.00
27	R	22927305	22927354	BOBBIN BASE				*		1	1.00
28		22927404		BOBBIN PULLEY				*		1	
29		22927602		BOBBIN WINDER POST				*		1	
30	R	SK3412000SC	SK3412000SE	WOOD SCREW D=4.1 L=20						2	1.00
31		WP0450826SC		WASHER 4.5X10X0.8						2	

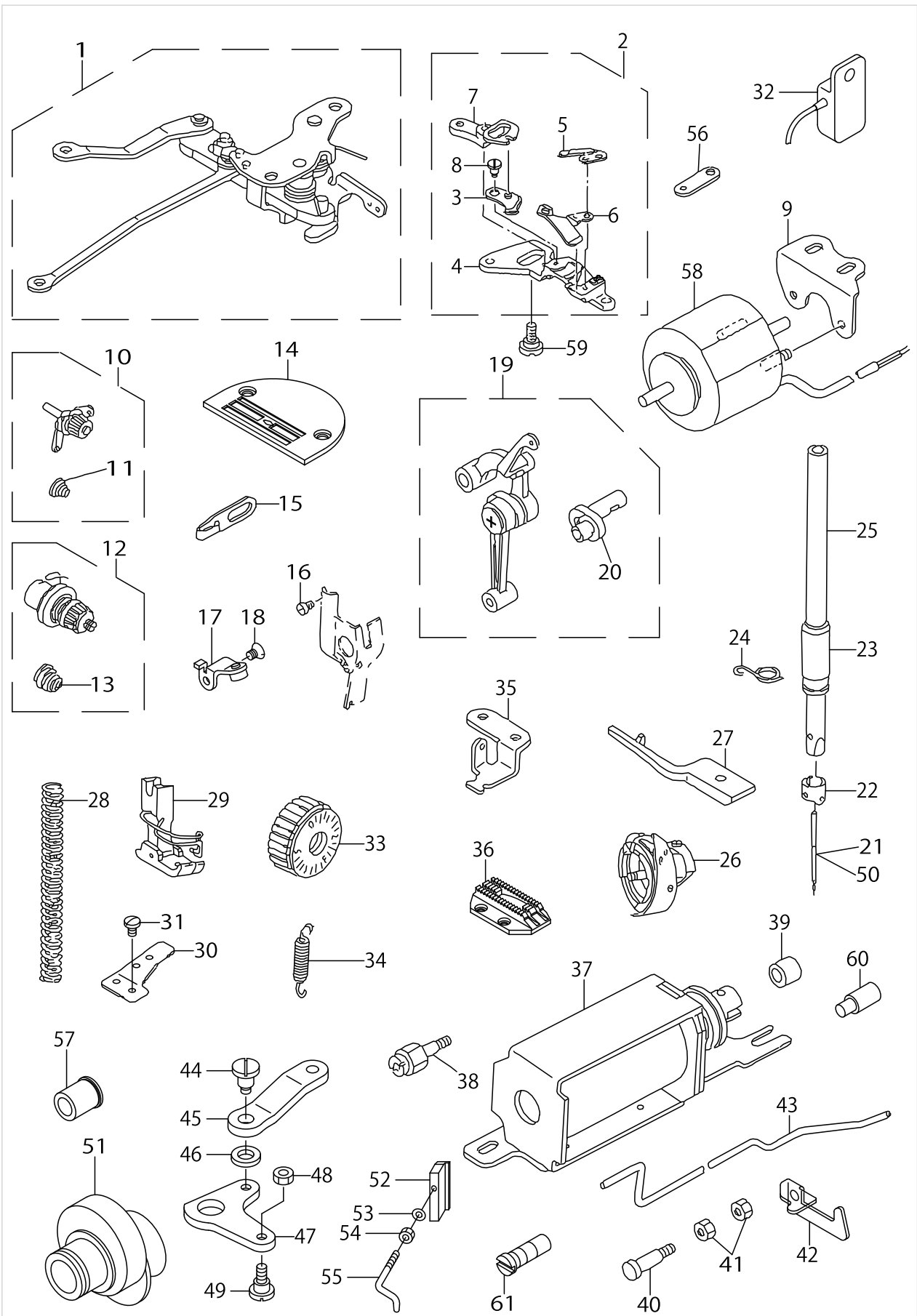
THREAD STAND COMPONENTS



THREAD STAND COMPONENTS

No.	Supply Code	Parts No.	Replacement	Parts name	Remarks	Choice	Step	Level	Cons	Qty	Rep. QTY
1	R	22930358	40096354	THREAD STAND ASM.						1	1.00
2	R	22931109	40085791	SPOOL RETAINER				*		2	1.00
3	R	22931000	40085790	SPOOL PIN				*		2	1.00
4		22930903		SPOOL REST CUSHION				*		2	
5		22930804		SPOOL REST				*		2	
6		SM6061610SC		SCREW M6 L=16				*		2	
7	R	22930705	40096354	THREAD GUIDE ARM JOINT				*		2	1.00
8		22931406		SPOOL REST ROD RUBBER CAP				*		1	
9	R	22930507	40096354	SPOOL REST ARM				*		2	1.00
10	R	22930408	40096354	SPOOL REST ROD, UPPER				*		1	1.00
11	R	22931307	40096354	SPOOL REST ROD JOINT				*		1	1.00
12		SM4051405SE		SCREW M5 L=14				*		2	
13		NM6050001SE		NUT M5				*		2	
14	R	22930309	40096354	SPOOL REST ROD, LOWER				*		1	1.00
15		22931208		THREAD GUIDE				*		2	
16		WS0510002KN		SPRING WASHER				*		2	
17		NM6050001SE		NUT M5				*		2	
18		NM6160511SE		NUT M16X1.5				*		1	
19		WP1702600S0		WASHER 17X30X2.6				*		2	

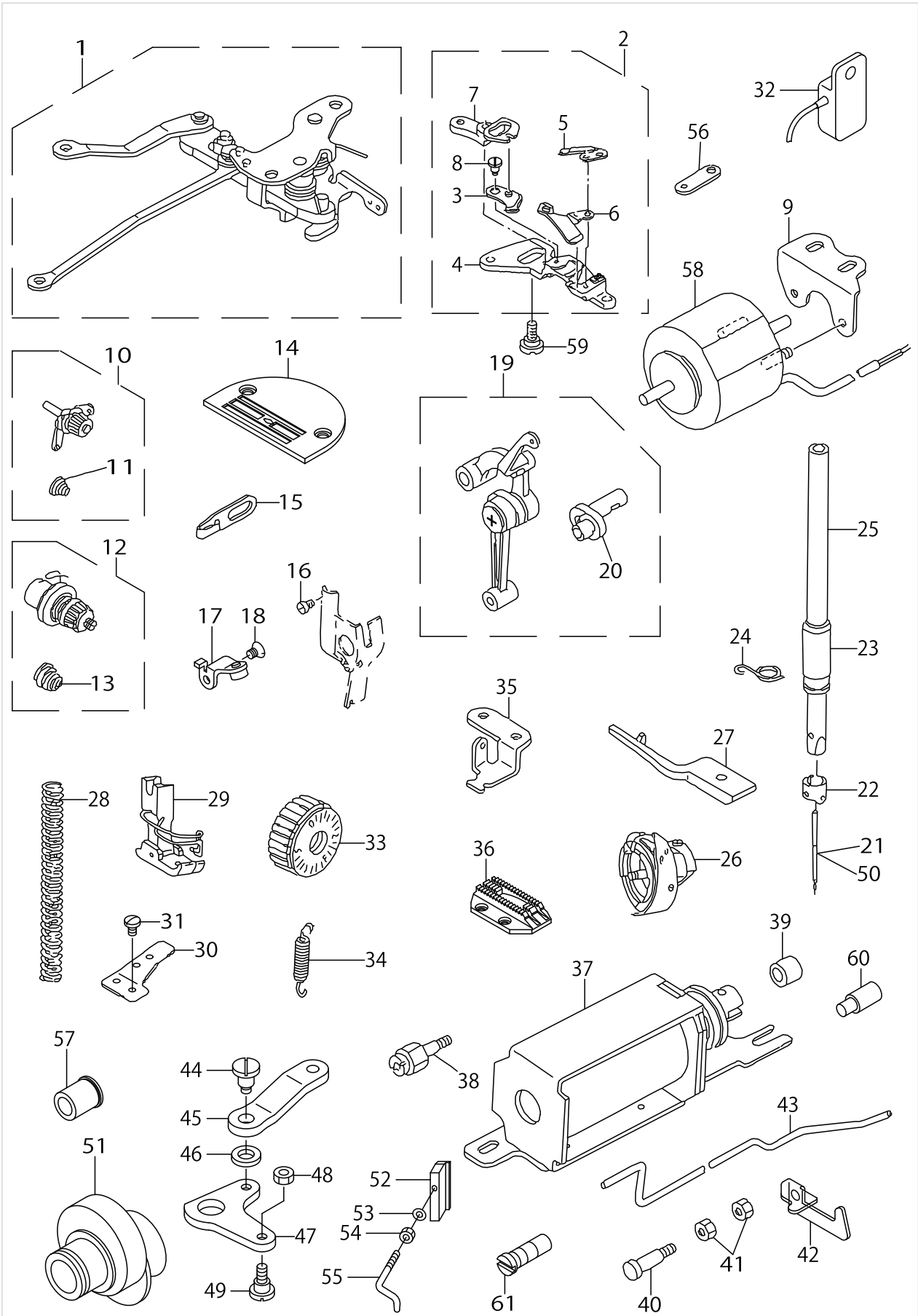
EXCLUSIVE PARTS FOR DDL-8500H-7



EXCLUSIVE PARTS FOR DDL-8500H-7

No.	Supply Code	Parts No.	Replacement	Parts name	Remarks	Choice	Step	Level	Cons	Qty	Rep. QTY
1		11096062		THREAD CUTTING DRIVING UNIT						1	
2		11095551		KNIFE UNIT						1	
3		11409257		MOVING KNIFE J ASM.				*		1	
4		11095502		KNIFE MOUNT BASE				*		1	
5		11409604		FIX KNIFE				*		1	
6		11095403		KNIFE THREAD GUIDE				*		1	
7		11095601		KNIFE BRANCH				*		1	
8		SD0500131TP		HINGE SCREW D=5 H=1.25				*		1	
9	R	11094901	11407608	SOLENOID BASE						1	1.00
10	R	11073954	22963458	THREAD TENSION ASM.						1	1.00
11		11093606		THREAD TENSION SPRING				*		1	
12	R	11073657	22962054	THREAD TENSION ASM.						1	1.00
13		B3114232000		THREAD TENSION SPRING				*		1	
14		11400801		THROAT PLATE J						1	
15		11091006		ARM THREAD GUIDE (HA)						1	
16		SS6080320SP		SCREW 1/8-44 L=2.5						1	
17		11095254		LEVER STOPPER ASM.	FOR DDL-- 8500H-7-0B,-WB					1	
18		SS1120710SP		SCREW 3/16-28 L=6.5	FOR DDL-- 8500H-7-0B,-WB					1	
19	R	11091659	40103560	LINK THREAD TAKE- -UP LEVER ASM.						1	1.00
20	R	11091600	40109126	NEEDLE BAR CRANK H				*		1	1.00
21		MDB100B2100		NEEDLE DBX1 #21						1	
22		B1418415H00		NEEDLE BAR THREAD GUIDE						1	
23		B1403553000		NEEDLE BAR BUSHING, LOWER						1	
24	R	B1419553000	40023223	NEEDLE BAR THREAD GUIDE						1	1.00
25	R	11091303	22970206	NEEDLE BAR						1	1.00
26		11092251		LUBRICATING BOBBIN ASM.						1	
27	R	11093804	22962401	POSITIONING FINGER H						1	1.00
28		B1505552000A		PRESSER SPRING						1	
29	R	D1524555EBL	D1524555ECL	PRESSER FOOT ASM.						1	1.00
30	R	11230901	22962807	WIRE PRESSER PLATE, B	FOR DDL-- 8500H-7-0B,-WB					1	1.00
31		SS7110740TP		SCREW 11/64-40 L=7	FOR DDL-- 8500H-7-0B,-WB					1	
32	R	M6009350AAA	22990758	RESISTANCE PACK AA ASM.						1	1.00
33		22911903		FEED DIAL						1	
34		11091204		ADJUST LINK SPRING						1	
35	R	11091907	22962203	FEED SPRING HOOK						1	1.00
36		11403003		FEED J						1	
37	R	11096658	40090750	SOLENOID MOUNTING BASE ASM.	FOR DDL-- 8500H-7-0B,-WB					1	1.00
38		11231503		OIL PUMP SUPPORT	FOR DDL-- 8500H-7-0B,-WB					1	
39	R	11228103	22962609	REVERSE FEED BASE COLLAR	FOR DDL-- 8500H-7-0B,-WB					1	1.00
40	R	11314408	22962906	PLUNGER ARM PIN	FOR DDL-- 8500H-7-0B,-WB					1	1.00
41		NS6110420SP		NUT 11/64-40	FOR DDL-- 8500H-7-0B,-WB					2	
42	D	11228301		TUBE HOLDER, LOWER	FOR DDL-- 8500H-7-0B,-WB					1	

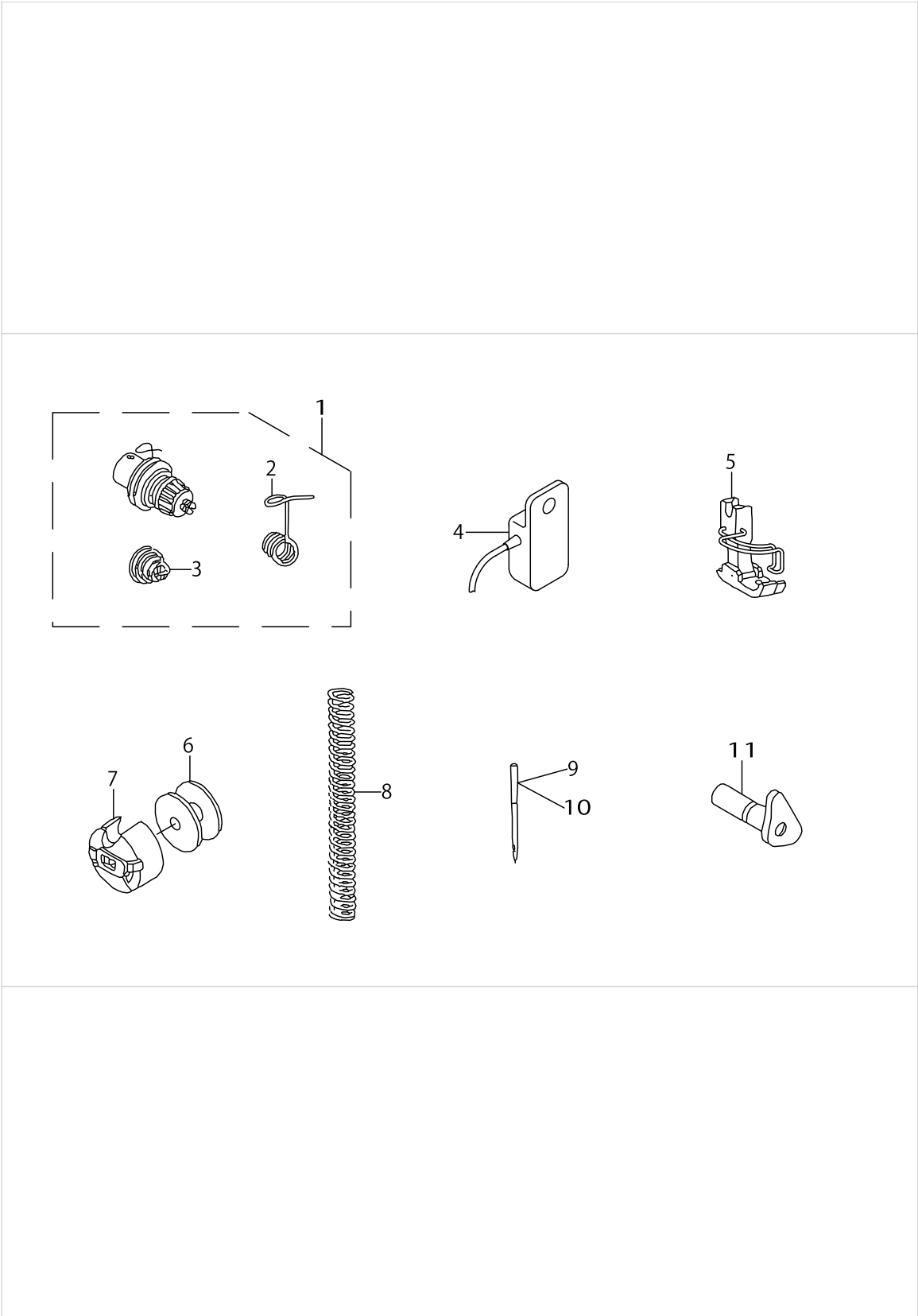
EXCLUSIVE PARTS FOR DDL-8500H-7



EXCLUSIVE PARTS FOR DDL-8500H-7

No.	Supply Code	Parts No.	Replacement	Parts name	Remarks	Choice	Step	Level	Cons	Qty	Rep. QTY
43		11094109		OIL TUBE						1	
44		SD0700711TP		HINGE SCREW D=7 H=7.1	FOR DDL-- 8500H-7-0B,-WB					1	
45	R	11101607	22962500	SOLENOID CONNECTING LINK	FOR DDL-- 8500H-7-0B,-WB					1	1.00
46		WP0722316SH		WASHER	FOR DDL-- 8500H-7-0B,-WB					1	
47		11101508		REVERSE FEED LINK	FOR DDL-- 8500H-7-0B,-WB					1	
48		NS6110420SP		NUT 11/64-40	FOR DDL-- 8500H-7-0B,-WB					1	
49		SD0700451TP		HINGE SCREW D=7 H=4.5	FOR DDL-- 8500H-7-0B,-WB					1	
50		MC200501300		NEEDLE 134 NM130	FOR JE					1	
51	R	11080900	22962351	FEED DRIVE ECCENTRIC CAM						1	1.00
52		11403805		THREAD GUIDE C FITTING PLATE						1	
53		WP0371016SD		WASHER 3.7X8X1						1	
54		NS6090310SP		NUT 9/64-40						1	
55	R	11305513	22972608	ARM THREAD GUIDE, C						1	1.00
56		11094604		CLUTCH LINK						1	
57		11009800		FEED REGULATOR BUSHING	FOR DDL-- 8500H-7-0B,-WB					1	
58	R	11096500	40090753	THREAD TRIMMER SOLENOID						1	1.00
59		SD0550701TP		STEP-SCREW D=5.5 H=7						1	
60	R	11008901	40010395	ADJUSTING LINK F- ULCRUM SHAFT B	FOR DDL-- 8500H-7-0B,-WB					1	1.00
61		B1213552000A		OIL ADJUSTING PIN						1	

EXCLUSIVE PARTS FOR DDL-8500A-7



EXCLUSIVE PARTS FOR DDL-8500A-7

No.	Supply Code	Parts No.	Replacement	Parts name	Remarks	Choice	Step	Level	Cons	Qty	Rep. QTY
1	R	11073756	40011503	THREAD TENSION ASM.						1	1.00
2		D3128555D00		TAKE-UP SPRING				*		1	
3		D3129555D00		THREAD TENSION SPRING				*		1	
4		M6018350AAA		RESISTANCE PACK AA ASM.						1	
5		D1524555DBA		PRESSER FOOT ASM.						1	
6	R	B9117552A00	22964001	BOBBIN						1	1.00
7		B18370120A0		BOBBIN CASE ASM.						1	
8		B1505227T00A		PRESSER SPRING T						1	
9		MC200500650		NEEDLE 134 NM65	FOR JE					1	
10		MDA100B0900		NEEDLE DAX1 #9						1	
11		11092558		HAND LIFTER CAM ASM.						1	

HOW TO MAKE USE OF THIS PARTS LIST

1.As to "#01" and "#02" refer to the "Note" given at the bottom of the respective pages.

2.Codes on the "Qty" column

- Each numeral indicates the number of parts required.
- "0.1" and "2.5" indicate the length (in meters) of the respective parts.

3.Parentheses mean that the corresponding part is a subpart that constructs an assembly part.

4.Dotted lines on the Figures indicate assembly parts.

1. リストページの# 0 1、# 0 2の印は、ページ下の"注記"の説明を参照下さい。
2. 数量欄の数字は、個数を表し、0. 1、2. 5等の数値は、長さ（単位メートル）を表します。
3. 数量欄の（ ）は、組部品を構成している子部品であることを意味します。
4. イラストページの-----枠は、組構成であることを意味します。

NUMERICAL INDEX OF PARTS

PART NO	PAGE	REF NO.	PART NO	PAGE	REF NO.	PART NO	PAGE	REF NO.
10004109	2	14	11080900	36	51	18077503	4	58
11000619	2	11	11091006	34	15	22900401	2	10
11001500	2	31	11091204	34	34	22900609	2	28
11005204	6	7	11091303	34	25	22900757	2	4
11006509	10	7	11091600	34	20	22901003	4	55
11008604	14	26	11091659	34	19	22901201	4	52
11008703	14	25	11091907	34	35	22901250	4	51
11008901	36	60	11092251	34	26	22901300	4	53
11009800	36	57	11092558	38	11	22901409	8	1
11010410	14	20	11093606	34	11	22902159	2	1
11018108	10	29	11093804	34	27	22902209	2	2
11018306	10	26	11094109	36	43	22902605	4	61
11018405	10	24	11094604	36	56	22903009	6	38
11018801	8	7	11094901	34	9	22903108	6	15
11023017	28	2	11095254	34	17	22903157	6	10
11024015	28	7	11095403	34	6	22903207	6	25
11024106	28	8	11095502	34	4	22903306	6	27
11024205	28	15	11095551	34	2	22903405	6	20
11024510	28	10	11095601	34	7	22903504	6	21
11024700	28	3	11096062	34	1	22903702	6	3
11032562	6	37	11096500	36	58	22903900	6	40
11037405	14	22	11096658	34	37	22904007	6	26
11038650	8	24-34	11101508	36	47	22904155	6	23
11038759	8	42	11101607	36	45	22904155	16	61
11039062	6	5	11102753	22	25	22905004	8	23
11039070	6	4	11110152	24	20	22905103	8	25
11040052	18	5	11110301	24	15	22905202	8	26
11040201	18	7	11110608	24	6	22906101	8	2
11040300	18	6	11111051	24	28	22906200	8	8
11040359	18	1	11141207	8	3-44	22906309	8	10
11040409	18	4	11141355	8	24-34	22906457	8	4
11040508	18	3	11141413	28	30	22906507	8	6
11040607	18	35	11141454	28	24	22907000	10	35
11040854	18	45	11141900	28	31	22907109	10	39
11041852	18	30	11228103	34	39	22907208	10	34
11042850	18	19	11228301	34	42	22907307	10	36
11043205	20	52	11230901	34	30	22907406	10	33
11043304	20	57	11231503	34	38	22907505	10	30
11043908	20	53	11305513	36	55	22907604	10	31
11044054	20	65	11314408	34	40	22907703	10	32
11047057	28	1	11400801	34	14	22907802	10	1
11047107	28	4	11403003	34	36	22908008	10	9
11073657	34	12	11403805	36	52	22908156	10	5
11073756	38	1	11409257	34	3	22908305	10	15
11073954	34	10	11409604	34	5	22908552	10	4

NUMERICAL INDEX OF PARTS

PART NO	PAGE	REF NO.	PART NO	PAGE	REF NO.	PART NO	PAGE	REF NO.
22908800	10	14	22920607	4	47	22930804	32	5
22908909	10	11	22921209	2	38	22930903	32	4
22909006	10	13	22921308	2	33	22931000	32	3
22910004	6	18	22921407	2	34	22931109	32	2
22910053	6	16	22921506	2	37	22931208	32	15
22910103	6	42	22921605	2	39	22931307	32	11
22910202	14	12·52	22921704	2	35	22931406	32	8
22910350	14	43	22921803	2	36	22931703	28	23
22910459	16	60	22923007	26	14	22932909	8	41
22910806	14	28	22923056	26	12	22933402	30	2
22910905	14	24	22923205	26	17	22933451	30	1
22911002	14	40	22923304	26	13	22933501	30	3
22911101	14	13	22923403	26	19	22933600	30	5
22911408	14	23	22923502	26	21	22933659	30	4
22911507	14	2	22923601	26	20	22933758	30	6
22911606	14	4	22923700	26	15	22933907	30	7
22911705	14	5	22923809	26	18	22934004	30	8
22911804	14	7	22923908	26	22	22934202	28	20
22911903	34	33	22924005	26	30	22934251	28	16
22912000	14	9	22924153	26	6	22934301	28	21
22912109	14	8	22924302	26	7	22934400	28	19
22912257	14	19	22924401	26	3	22934509	28	17
22912406	14	17	22924500	26	11	22934608	28	18
22912604	16	64	22924609	26	28	22935209	4	59
22912703	16	68	22924807	20	64	22935308	2	20
22912802	16	65	22924906	26	10	22935407	4	57
22912901	14	39	22925002	26	9	22937056	6	34
22913008	16	51	22925101	26	5	22937064	6	30
22913701	14	38	22927305	30	27	22939508	8	3·44
22913800	16	12·52	22927354	30	13	22940506	14	10
22915003	14	15	22927404	30	28	22940654	16	55
22915151	16	45	22927602	30	29	22940753	14	35
22915201	16	48	22928105	30	22	22940803	14	31
22916001	8	31	22928303	30	21	22940951	14	27
22916100	8	35	22928402	30	20	22941108	14	1
22916308	8	27	22928501	30	14	22941306	14	36
22916506	8	40	22928709	30	26	22942056	16	57
22916555	8	38	22928808	30	18	22942502	8	32
22916605	8	39	22928907	30	16	22942601	8	43
22917058	8	36	22929004	30	17	22944508	10	18
22917157	8	29	22930309	32	14	22944607	10	20
22919203	6	29	22930358	32	1	22944706	12	42
22919559	6	2	22930408	32	10	22944854	10	28
22920201	10	23	22930507	32	9	22945109	10	25
22920508	2	30	22930705	32	7	22945307	2	40

NUMERICAL INDEX OF PARTS

PART NO	PAGE	REF NO.	PART NO	PAGE	REF NO.	PART NO	PAGE	REF NO.
22945356	2	32	22955900	24	13	D3129555D00	38	3
22945406	2	22	22956007	24	14	EA9500B0100	6	28
22945455	2	21	22956205	24	10	GAK300010B0	28	25
22945505	2	25	22956304	24	11	GAK30004000	28	26
22945604	2	23	22956403	24	7	GAK30005000	28	29
22945703	2	26	22956809	24	26	HA000590000	24	17
22945802	2	24	22956908	24	9	HA001900000	22	11
22947006	26	1	22957005	24	24	HK034610140	18	11
22947105	26	26	22957104	24	16	HK03464000B	18	46
22948400	18	37	22957203	24	21	HK03464000B	22	29
22948657	18	44	22958300	2	7	HK03464000B	24	23
22949002	18	43	B1109012I0B	4	44	HW200390000	24	18
22949101	18	40	B1109552000	4	60	HW500070000	22	9
22949200	18	41	B1213552000A	36	61	HW500070000	24	19
22949309	18	38	B13050120A0	8	14	M40071100AA	6	35
22949408	18	29	B13061550A0	8	16	M40071100AB	6	36
22949754	18	24	B13061550B0	8	13	M6008350AAA	4	63·67~ 69
22949762	18	23	B13061550C0	8	12	M6008350AAC	4	63·67~ 69
22949903	20	50	B13071550A0	8	19	M6008350AAC	4	63·67~ 69
22950000	18	26	B13071550B0	8	18	M6008350AAF	4	63·67~ 69
22950109	18	31	B13081550A0	8	21	M6008350AAL	4	63·67~ 69
22950208	18	14	B1403553000	34	23	M6009350AAA	34	32
22950257	18	13	B1408552000	6	8	M6018350AAA	38	4
22950356	18	15	B1418415H00	34	22	MC200500650	38	9
22950703	18	25	B1419553000	34	24	MC200500900	8	11·28
22950950	18	21	B1505227T00A	38	8	MC200501300	36	50
22951008	20	60	B1505552000A	34	28	MDA100B0900	38	10
22951164	20	49	B1521555000	10	2	MDB100B1400	8	11·28
22951404	20	54	B15240120BA	10	41	MDB100B2100	34	21
22952501	2	18	B1613012I00	14	33	NM6040000SN	20	56
22953509	22	24	B1636581C00	16	59	NM6050001SE	32	17
22953657	22	17	B18370120A0	38	7	NM6060001SE	28	12
22953806	22	15	B1903552000	6	9	NM6160511SE	32	18
22953905	22	19	B1905541B00	6	6	NS6090310SP	24	5
22954002	22	28	B3114232000	34	13	NS6090310SP	36	54
22954101	22	4	B3118552E00	4	43	NS6110310SP	24	12
22954150	22	1	B9117552A00	38	6	NS6110420SP	34	48
22954200	22	5	CM300200001	2	12	NS6110420SP	36	48
22954309	22	6	CM3002001A1	2	13	NS6150430SP	18	33
22954408	22	12	CQ252000000	26	8	NS6620310SP	10	21
22954507	22	13	D1524555DBA	38	5	NS6660410SH	20	58
22954606	22	2	D1524555EBL	34	29	NS6660430SP	20	59
22954705	2	9	D2406555D0H	18	10	NS6680410SP	14	42
22955504	24	2	D2468555B00	22	22			
22955553	24	1	D3128555D00	38	2			

NUMERICAL INDEX OF PARTS

PART NO	PAGE	REF NO.	PART NO	PAGE	REF NO.	PART NO	PAGE	REF NO.
RC0150001KP	14	54	SM4040655SP	22	3	SS6090670TP	14	3
RC0150001KP	16	54	SM4041655SP	22	7	SS6090910SP	10	38
RC1850001KP	6	22	SM4051405SE	32	12	SS6110420TP	8	30
RE0250000K0	24	8	SM6061610SC	32	6	SS6110610TP	4	48
RE0400000K0	18	39	SM8061010TP	16	66	SS6110710TP	20	61
RE0400000K0	22	23	SM8061050TP	16	67	SS6111010TP	26	25
RE0400000K0	28	27	SM8063012TR	28	13	SS6111210SP	6	31
RE0400000KP	22	18	SM9061203SE	28	22	SS6121610SP	14	44
RE0500000K0	10	22	SM9061853SR	28	14	SS6121840SP	2	17
RE0500000K0	14	21	SM9062053SR	28	11	SS6121860SP	14	11
RE0500000K0	18	51	SS1120710SP	34	18	SS6660610TP	18	20
RE0500000K0	20	51	SS2060210SP	18	8	SS6661110SP	6	17
RE0500000K0	24	27	SS2110915SP	4	46	SS6700710SH	28	5
RE0500000KP	22	14	SS2110920TP	4	45	SS7080510TP	8	9
RE0600000K0	18	34	SS4080620TP	14	34	SS7081310SP	30	24
RE0900000K0	22	16	SS4080620TP	18	9	SS7090610SP	18	42
RE1000000K0	28	9	SS4110515SP	14	37	SS7091110SP	10	40
RE1200000K0	22	20	SS4110515SP	30	15	SS7110350SP	30	19
RO029180100	6	41	SS4110715SP	18	28	SS7110410SP	12	43
RO037180100	10	3	SS4110915SP	8	33	SS7110540SP	4	62
RO044240100	6	13	SS4120615SP	2	29	SS7110720SP	10	16
RO078190100	16	63	SS4120615SP	10	27	SS7110740TP	16	53
RO092270200	14	16	SS4120615SP	22	27·30	SS7110740TP	34	31
RO108240100	28	6	SS4120615SP	26	4	SS7111120SP	16	58
RO195240100	26	2	SS4120915SP	2	50	SS7120770SH	14	6
SD0460703TP	18	2	SS4120915SP	4	50	SS7121410TP	16	56
SD0490261SP	30	23	SS4120915SP	8	46	SS7121610SP	16	46
SD0500131TP	34	8	SS4120915SP	22	27·30	SS7681650TP	6	14
SD0550701TP	36	59	SS4120915SP	24	29	SS8090670SP	2	41
SD0600361SP	20	62	SS4121215SP	4	64	SS8110410TP	8	37
SD0630275SP	18	18	SS4121415SP	30	9	SS8110510SP	30	25
SD0640631TP	20	48	SS4150915SP	10	17	SS8110520TP	18	22
SD0641451SP	18	17	SS4150915SP	20	47	SS8150710SP	2	42
SD0650321TP	24	4	SS4150915SP	26	24	SS8150710SP	14	29
SD0700451TP	36	49	SS4151215SP	20	63	SS8151150SP	6	1
SD0700711TP	36	44	SS4151215SP	22	26	SS8151550SP	6	33
SD0720331SP	10	12	SS4151215SP	26	27	SS8660610TP	6	24
SD1000801SH	16	47	SS6060210SP	4	54	SS8660610TP	16	62
SE4301041SR	26	16	SS6080320SP	34	16	SS8660810TP	8	22
SK3412000SC	30	30	SS6080410SP	2	3	SS8660810TP	10	37
SL4030621SS	24	3	SS6090510SP	18	16	SS8681650TP	6	11
SL4030641SE	24	22	SS6090540SP	24	25	TA0850604R0	2	5
SL4030851SF	26	23	SS6090620SP	14	41	TA1250406R0	4	49
SL4051001MZ	6	39	SS6090650SP	6	19	TA1250705R0	2	6
SM4031501SC	22	8	SS6090670TP	8	5	TA2000502R0	2	16

NUMERICAL INDEX OF PARTS

PART NO	PAGE	REF NO.
TA2101002R0	2	19
WP0371016SD	36	53
WP0450000SD	20	55
WP0450801SD	6	32
WP0450826SC	30	31
WP0480856SP	16	69
WP0501016SD	4	66
WP0501016SD	30	10
WP0621016SD	28	28
WP0621016SH	18	32
WP0722316SH	36	46
WP1602616SZ	22	21
WP1702600S0	32	19
WS0451040KP	26	29
WS0510002KN	32	16
WS0510002KP	4	65
WS0651310KP	26	31
WT0530002KS	4	56