

MODEL : LZ-2280N/LZ-2280N-7/LZ-2282N/LZ-2282N-7/LZ-2282NU-7/
LZ-2286NU-7/LZ-2288NU-7
List No : 1160-13

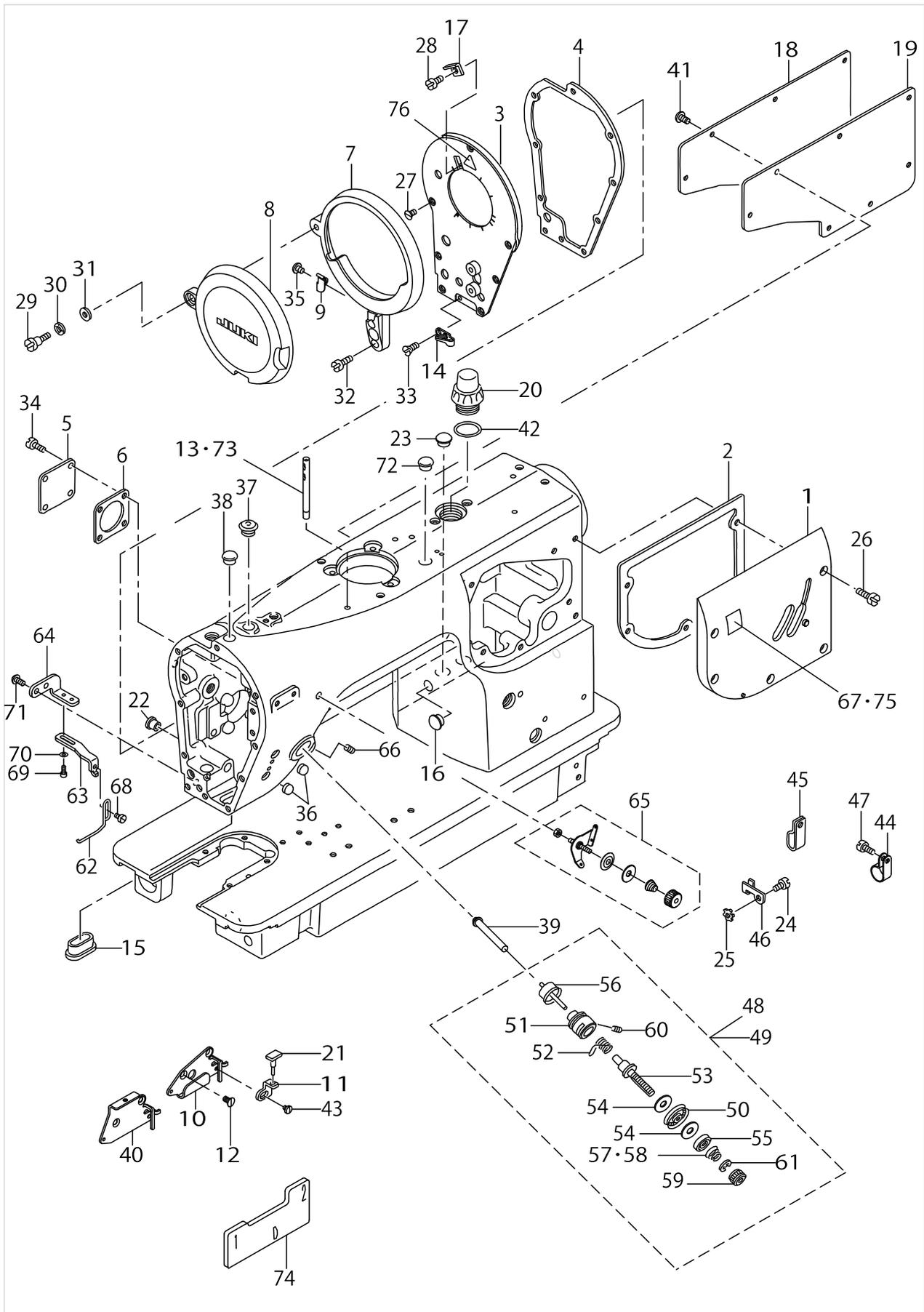
PARTS LIST

Published:05/12/2017

CONTENTS

FRAME & MISCELLANEOUS COVER COMPONENTS (1)	1
FRAME & MISCELLANEOUS COVER COMPONENTS (2)	7
FRAME & MISCELLANEOUS COVER COMPONENTS (3)	11
MAIN SHAFT & NEEDLE BAR COMPONENTS	13
NEEDLE VIBRATOR & ADJUSTMENT COMPONENTS (1)	19
NEEDLE VIBRATOR & ADJUSTMENT COMPONENTS (2)	21
PRESSER BAR & FEED REGULATOR COMPONENTS	25
FEED MECHANISM & CONDENSE COMPONENTS	29
FEED MECHANISM COMPONENTS	31
HOOK DRIVING SHAFT & HOOK COMPONENTS	35
LUBRICATION COMPONENTS	39
THREAD TRIMMER MECHANISM COMPONENTS	43
UPPER THREAD FEEDER COMPONENTS	47
AUTOMATIC REVERSE FEED MECHANISM COMPONENTS	49
WIPER MECHANISM COMPONENTS	51
THREAD STAND COMPONENTS	53
CP PANEL COMPONENTS	55
BELT COVER COMPONENTS	57
OIL RESERVOIR & KNEE LIFTER COMPONENTS	59
EXCLUSIVE PARTS FOR LZ-2286N	61
EXCLUSIVE PARTS FOR LZ-2285N (1)	65
EXCLUSIVE PARTS FOR LZ-2285N (2)	69
EXCLUSIVE PARTS FOR LZ-2281N(-7)	73
EXCLUSIVE PARTS FOR LZ-2288N (1)	75
EXCLUSIVE PARTS FOR LZ-2288N (2)	79
EXCLUSIVE PARTS FOR LZ-2282N(-7) (1)	83
EXCLUSIVE PARTS FOR LZ-2282N(-7) (2)	87
EXCLUSIVE PARTS FOR LZ-2280NU(-7),2284NU(-7),2286NU(-7) & 2288NU(-7)	91
EXCLUSIVE PARTS FOR LZ-2284N(-7),LZ-2284C-7 (1)	95
EXCLUSIVE PARTS FOR LZ-2284N(-7),LZ-2284C-7 (2)	99
SPECIAL ORDER PARTS FOR LZ-2280N,2281N,2284N,2286N,2288N	103
SPECIAL ORDER PARTS FOR LZ-2280N SERIES	105
EXCLUSIVE PARTS FOR LZ-2284C-7 (1)	109
EXCLUSIVE PARTS FOR LZ-2284C-7 (2)	111
EXCLUSIVE PARTS FOR LZ-2284C-7 (3) (TABLE COMPONENTS/JT-Z710)	113
EXCLUSIVE PARTS FOR LZ-2284C-7 (4) (TABLE COMPONENTS/JT-Z71A,JT-Z71B)	115
EXCLUSIVE PARTS FOR LZ-2284C-7 (5)	117
EXCLUSIVE PARTS FOR LZ-2284C-7 (6) (ACCESSORIES PARTS COMPONENTS)	119
EXCLUSIVE PARTS FOR LZ-2284C-7 (7)	121
LIST FOR INFORMATION OF CHANGE	123
HOW TO MAKE USE OF THIS PARTS LIST	124

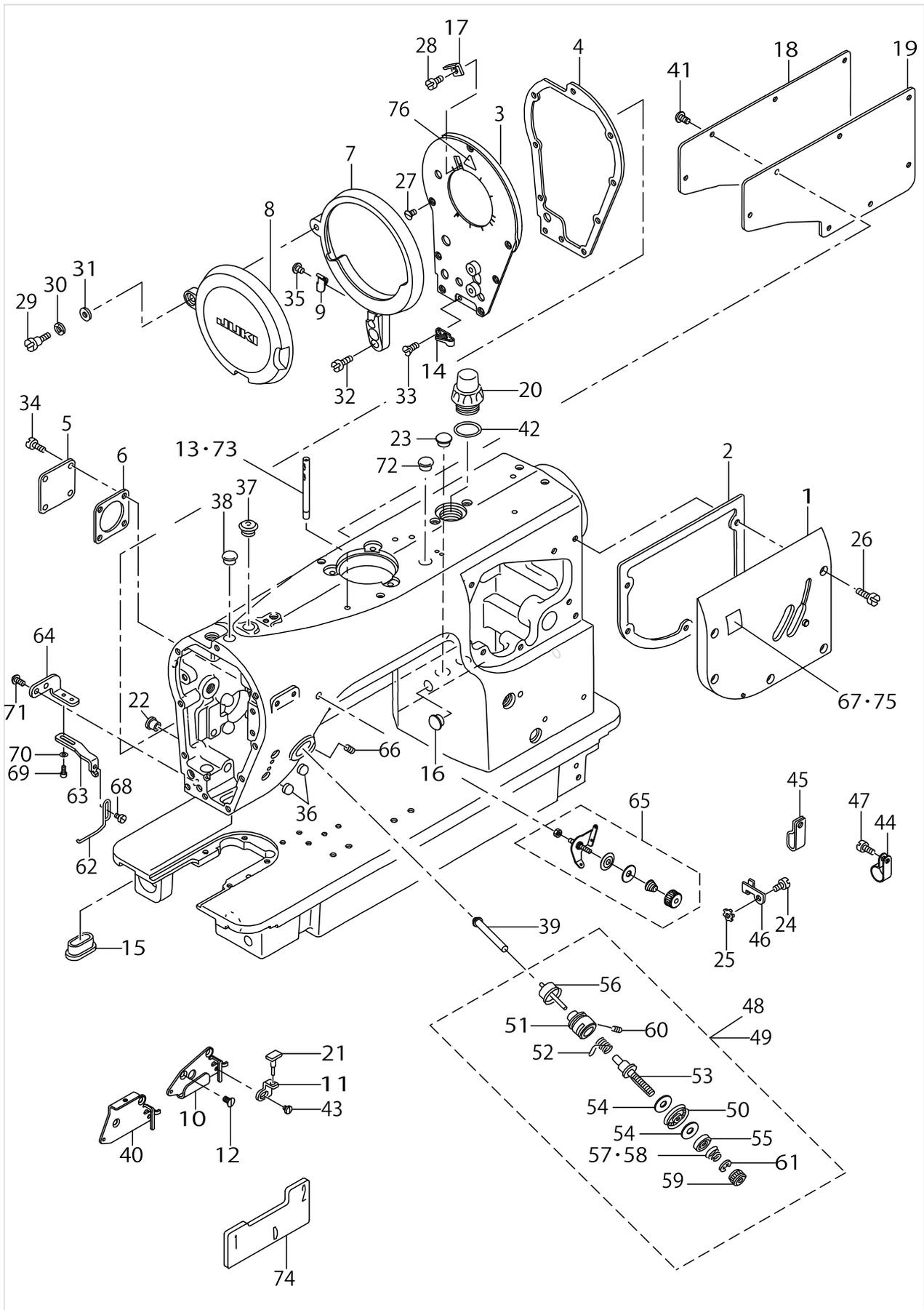
FRAME & MISCELLANEOUS COVER COMPONENTS (1)



FRAME & MISCELLANEOUS COVER COMPONENTS (1)

No.	Supply Code	Parts No.	Replacement	Parts name	Remarks	Choice	Step	Level	Cons	Qty	Rep. QTY
1		26304758		ARM SIDE COVER COMPL.						1	
2		22501209		GASKET						1	
3		23500978		FACE PLATE COMPL.						1	
4		22501506		GASKET						1	
5		22501605		TENSION RELEASE WINDOW PLATE						1	
6		22501704		GASKET						1	
7		26305102		BALANCE COVER BASE						1	
8		22502108		BALANCE COVER						1	
9		26305300		SPRING						1	
10		22504104		BALANCE THREAD GUIDE A	VARIOUS NOS.FOR DESTINATIONS					1	
11		22502702		SPRING GUARD						1	
12		SS1110840SP		SCREW 11/64-40 L=8						2	
13		22958300		NEEDLE THREAD GUIDE PIN						1	
14		26305409		SPRING GUARD						1	
15		10000206		ARM OIL SHIELD						1	
16		TA1050504R0		RUBBER PLUG						1	
17		10001709		TAKE-UP THREAD CUTTER						1	
18		22900401		WINDOW PLATE						1	
19	R	11000619	40012129	GASKET						1	1.00
20	R	22947006	22924708	OIL SIGHT WINDOW						1	1.00
21		11043601		RUBBER STOPPER						1	
22		TA0800504R0		PLUG D=8 L=4.5						1	
23		TA1050504R0		RUBBER PLUG						2	
24		SS4121015SP		SCREW 3/16-28 L=10	FOR LZ-22-80N-7,LZ--2281N-7, L-Z-2286N-7- ,LZ-2288N-7					1	
25		WT0530002KS		TOOTHED WASHER D=5.3	FOR LZ-22-80N-7,LZ--2281N-7, L-Z-2286N-7- ,LZ-2288N-7					1	
26		SS4121415SP		SCREW 3/16-28 L=14						5	
27		SS1110840SP		SCREW 11/64-40 L=8						7	
28		SS7080410SP		SCREW 1/8-44 L= 3.8						1	
29		SD0640751SP		HINGE SCREW D= 6.35 H= 7.5						1	
30		WZ0641510KP		WAVED WASHER 6.4X11X0.3						1	
31		WP0651056SD		WASHER 6.5X11X1						1	
32		SS4110915SP		SCREW 11/64-40 L=9						2	
33	R	SS2090710SP	SS2090710TP	SCREW 9/64-40 L=7						1	1.00
34		SS4120615SP		SCREW 3/16-28 L=6						4	
35		SS4120615SP		SCREW 3/16-28 L=6						1	
36		GPR01015000		DRIVING STOPPER RUBBER						2	
37		TA1250705R0		RUBBER PLUG						1	
38		TA1100604R0		PLUG						1	
39		22528616		THREAD RELEASE						1	
40		26312504		BALANCE THREAD GUIDE T	VARIOUS NOS.FOR DESTINATIONS					1	

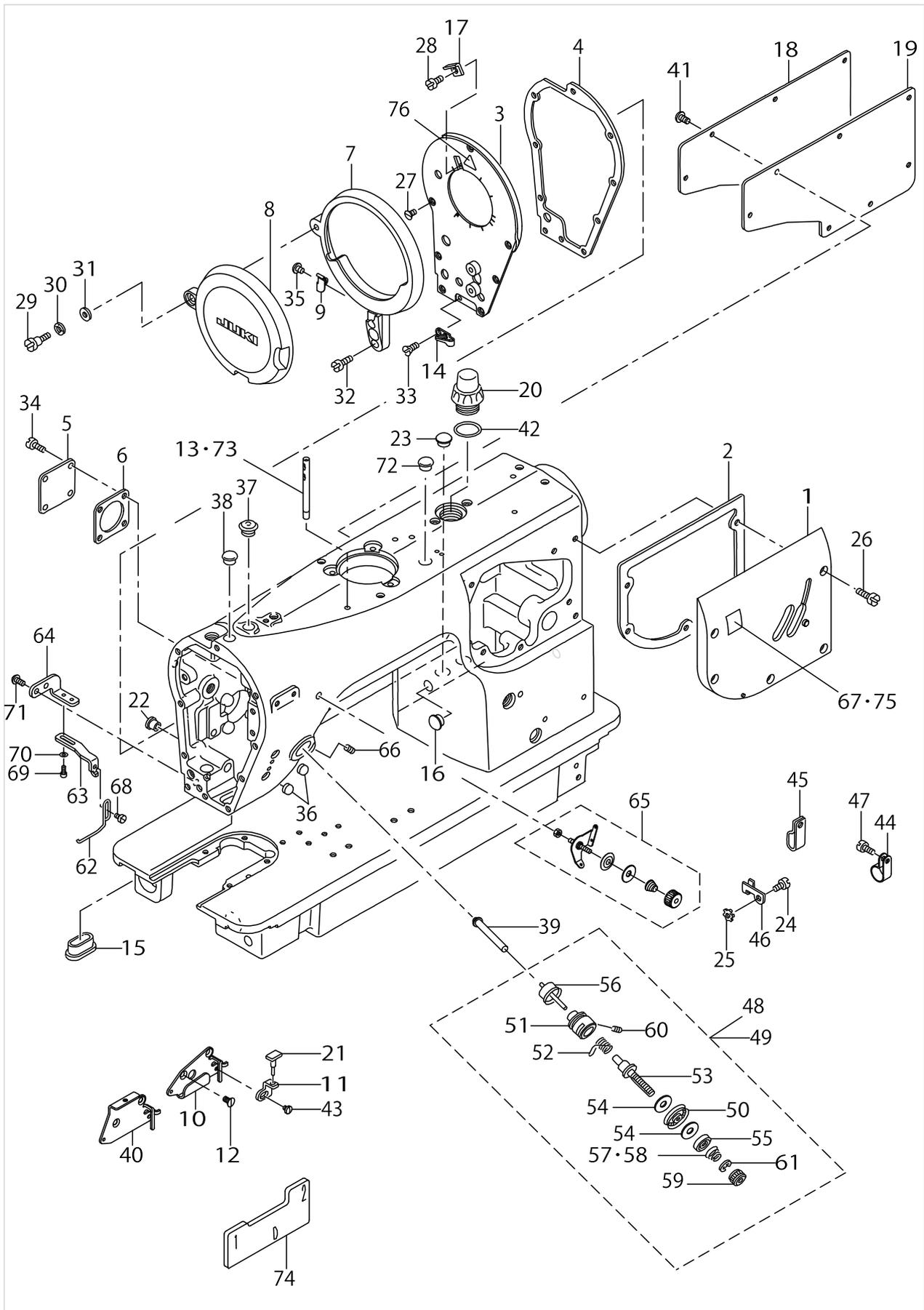
FRAME & MISCELLANEOUS COVER COMPONENTS (1)



FRAME & MISCELLANEOUS COVER COMPONENTS (1)

No.	Supply Code	Parts No.	Replacement	Parts name	Remarks	Choice	Step	Level	Cons	Qty	Rep. QTY
41		SS4120915SP		SCREW 3/16-28 L=9						8	
42		RO195240100		RUBBER RING						1	
43		SS7090410SP		SCREW 9/64-40 L=3.5						1	
44		EA9502B0200		CABLE CLIP C	FOR LZ-22-80N-7,LZ--2281N-7, L-Z-2286N-7, LZ-2288N-7					1	
45		D2112555B00		CORD HOLDER, LARGE	FOR LZ-22-80N-7,LZ--2281N-7, L-Z-2286N-7, LZ-2288N-7					2	
46		11030301		CABLE HOLDER	FOR LZ-22-80N-7,LZ--2281N-7, L-Z-2286N-7, LZ-2288N-7					1	
47		SS4121015SP		SCREW 3/16-28 L=10	FOR LZ-22-80N-7,LZ--2281N-7, L-Z-2286N-7, LZ-2288N-7					1	
48		22528061		THREAD TENSION ASM.	VARIOUS NOS.FOR DESTINATIONS					1	
49		22528467		THREAD TENSION ASM.	VARIOUS NOS.FOR DESTINATIONS					1	
50		23547557		THREAD TENSION T COMPL.				*		1	
51		22528152		THREAD TENSION ROD ASM.				*		1	
52		10006104		TAKE-UP SPRING				*		1	
53		10005668		THREAD TENSION POST ASM.				*		1	
54		22528509		FELT				*		2	
55		10006005		TENSION DISC HOLDER				*		1	
56		10007854		TENSION RELEASE PIN ASM.				*		1	
57		B3129012A00		TENSION SPRING	VARIOUS NOS.FOR DESTINATIONS			*		1	
58		B3121352000		TENSION SPRING	VARIOUS NOS.FOR DESTINATIONS			*		1	
59		B3116125000		TENSION NUT				*		1	
60		SS8090670SP		SCREW 9/64-40 L=5.5				*		1	
61		B3120125000		ROTATING STOPPER				*		1	
62		22529002		SUPPORT BALANCE	VARIOUS NOS.FOR DESTINATIONS					1	
63		22529101		SUPPORT BALANCE BASE	VARIOUS NOS.FOR DESTINATIONS					1	
64		22529200		MOUNTING BASE	VARIOUS NOS.FOR DESTINATIONS					1	
65	R	22528764	40050700	PRE-TENSION CONTROLLER ASM.						1	1.00
66		SS8110750SP		SCREW 11/64-40 L= 6.5						1	
67		22542708		OPERATION SEAL	FOR LZ-22-81N,LZ-2281N-7					1	
68		SS6090540SP		SCREW 9/64-40 L=5.0	VARIOUS NOS.FOR DESTINATIONS					1	
69		SS6580752TP		SCREW 1/8-40 L=7	VARIOUS NOS.FOR DESTINATIONS					2	

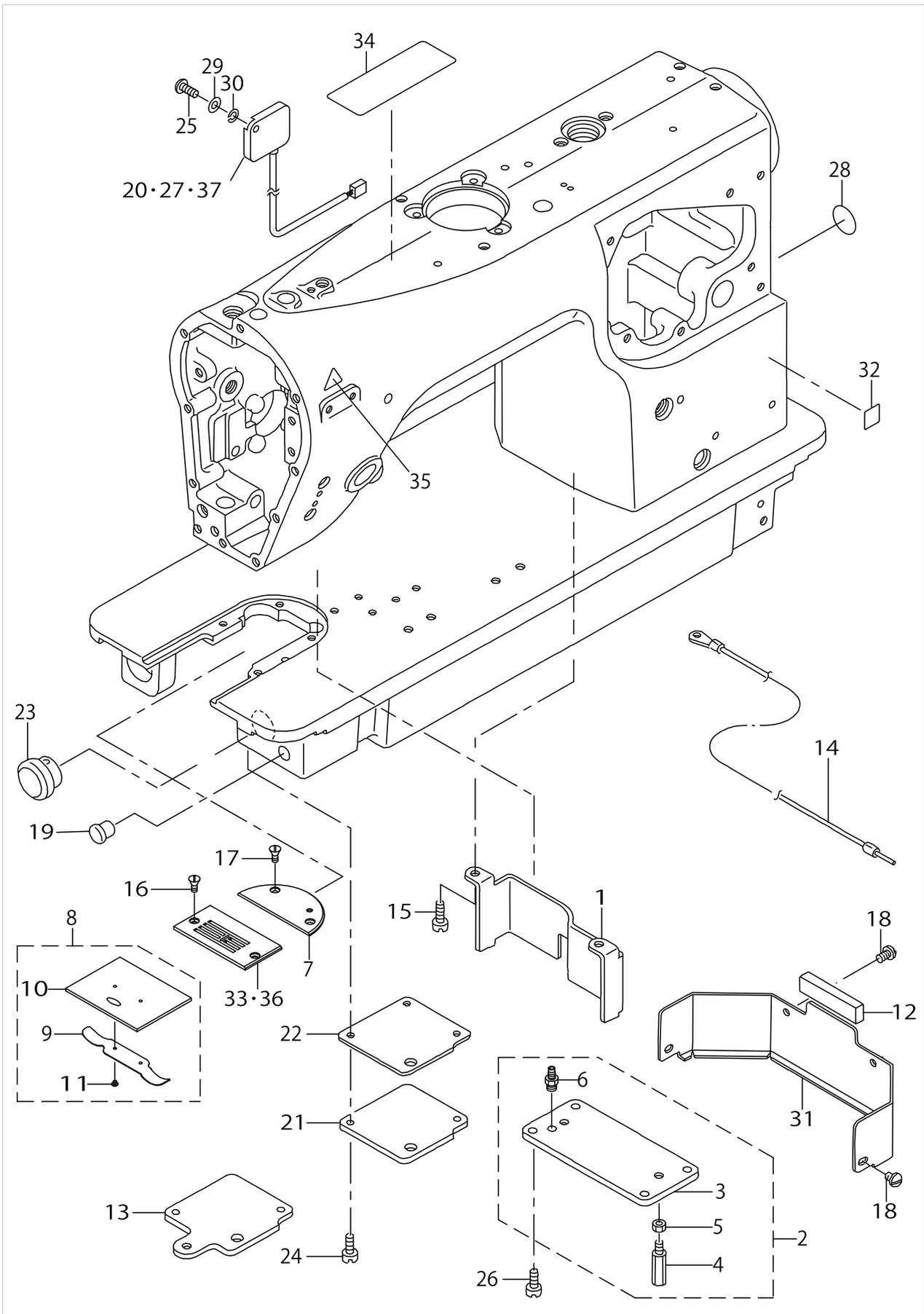
FRAME & MISCELLANEOUS COVER COMPONENTS (1)



FRAME & MISCELLANEOUS COVER COMPONENTS (1)

No.	Supply Code	Parts No.	Replacement	Parts name	Remarks	Choice	Step	Level	Cons	Qty	Rep. QTY
70		WP03305000E		WASHER 3.3X6X0.5	VARIOUS NOS.FOR DESTINATIONS					2	
71		SS4110915SP		SCREW 11/64-40 L=9	VARIOUS NOS.FOR DESTINATIONS					2	
72		TA1250705R0		RUBBER PLUG						1	
73		22502504		THREAD GUIDE BAR	FOR LZ-22-80N-7,LZ--2281N-7, LZ-2286N-7, LZ-2288N-7					1	
74		22536403		TIMMING GAUG D						1	
75	D	23516206		OPERATION SEAL	FOR LZ-22-84N,LZ-22-84N-7, LZ--2284NU,LZ--2284NU-7					1	
76		CM300200002		CAUTION LABEL(25)						1	

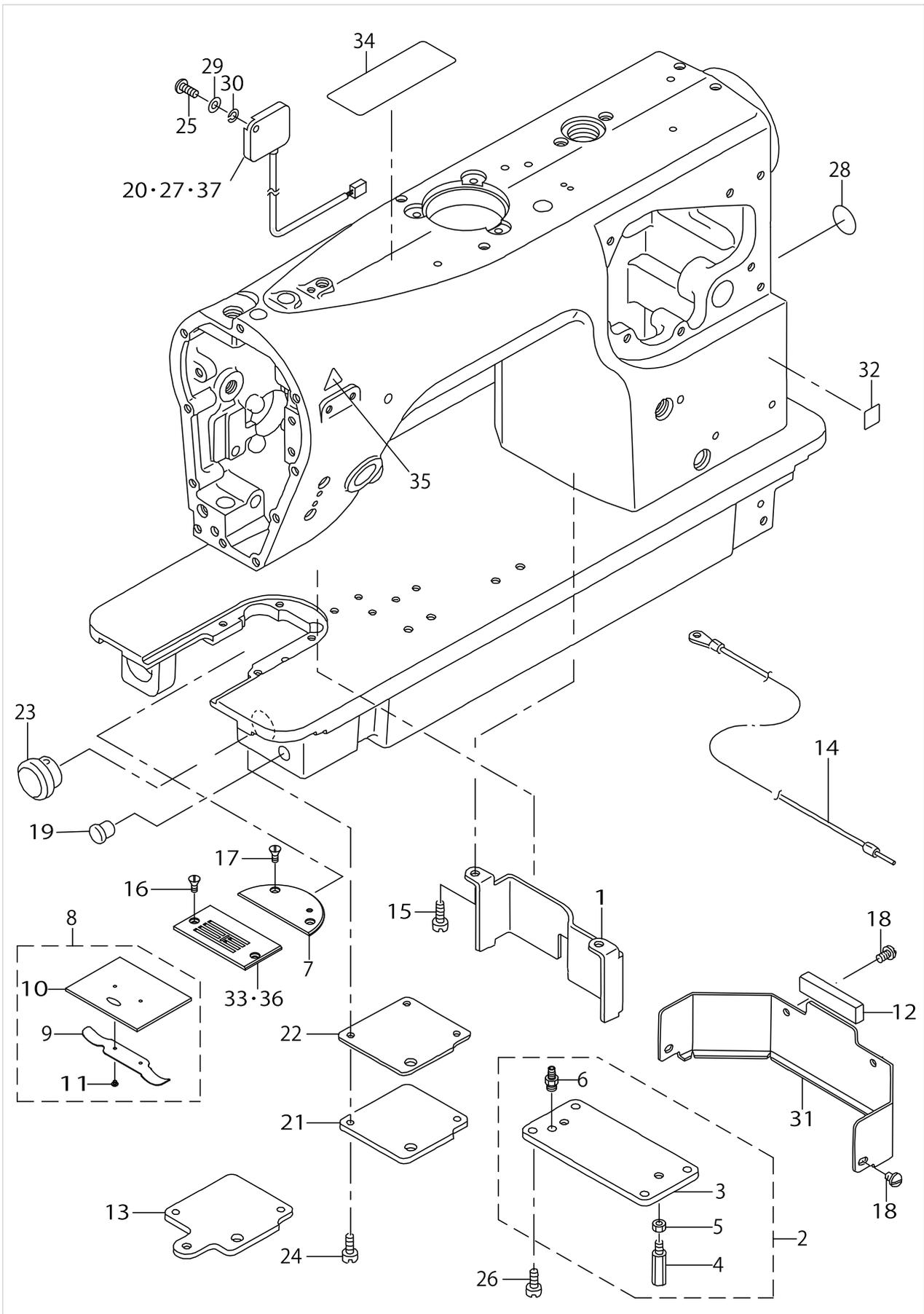
FRAME & MISCELLANEOUS COVER COMPONENTS (2)



FRAME & MISCELLANEOUS COVER COMPONENTS (2)

No.	Supply Code	Parts No.	Replacement	Parts name	Remarks	Choice	Step	Level	Cons	Qty	Rep. QTY
1		26304907		SUPPORT PLATE						1	
2	R	26305052	40108981	HELICAL GEAR BOX COVER ASM.						1	1.00
3		26305003		HELICAL GEAR BOX COVER				*		1	
4		10100410		BED SCREW STUD				*		2	
5		NS6700320SP		NUT 5/16-24				*		2	
6		SQ1150451MZ		CONNECTING SCREW				*		1	
7		26300103		BED PLATE						1	
8		26314757		SLIDE PLATE ASM.						1	
9		22901300		SLIDE PLATE SPRING				*		1	
10	R	26314708	26314757	SLIDE PLATE				*		1	1.00
11		SS6060210SP		SCREW 3/32-56 L=1.9				*		2	
12		10037406		OIL SHIELD RUBBER						1	
13		22552400		HELICAL BEVEL GEAR BOX COVER	FOR LZ-22-80N-7,LZ--2281N-7, LZ-2286N-7, LZ-2288N-7					1	
14	R	11044054	22951552	GROUND WIRE ASM.	FOR LZ-22-80N-7,LZ--2281N-7, LZ-2286N-7, LZ-2288N-7					1	1.00
15		SS4111015SP		SCREW 11/64-40 L=10						2	
16		SS2090810SP		SCREW 9/64-40 L=7.5						2	
17		SS2090810SP		SCREW 9/64-40 L=7.5						2	
18		SS4110615SP		SCREW 11/64-40 L=6						2	
19		TA0950806R0		RUBBER PLUG						1	
20	D	M6093350AAS		RESISTANCE PACK AS ASM.	FOR LZ-2280N-7					1	
21		10031805		HELICAL BEVEL GEAR BOX COVER						1	
22		10031904		GASKET						1	
23		10032001		NYLON CAP						1	
24		SS4110915SP		SCREW 11/64-40 L=9						3	
25		SS4121215SP		SCREW 3/16-28 L=12	FOR LZ-22-80N-7,LZ--2281N-7, LZ-2286N-7, LZ-2288N-7					1	
26		SS4110915SP		SCREW 11/64-40 L=9						4	
27		M6093350AAL		RESISTANCE PACK AL ASM.	VARIOUS NOS.FOR DESTINATIONS					1	
28		22901805		GROUND MARK						1	
29		WP0501016SD		WASHER 5X10.5X1	FOR LZ-22-80N-7,LZ--2281N-7, LZ-2286N-7, LZ-2288N-7					1	
30		WS0510002KP		SPRING WASHER 5.1X9.2X1.3	FOR LZ-22-80N-7,LZ--2281N-7, LZ-2286N-7, LZ-2288N-7					1	
31		10037307		OIL SHIELD PLATE						1	
32		CM600100101		WEEE MARK LABEL S	VARIOUS NOS.FOR DESTINATIONS					1	

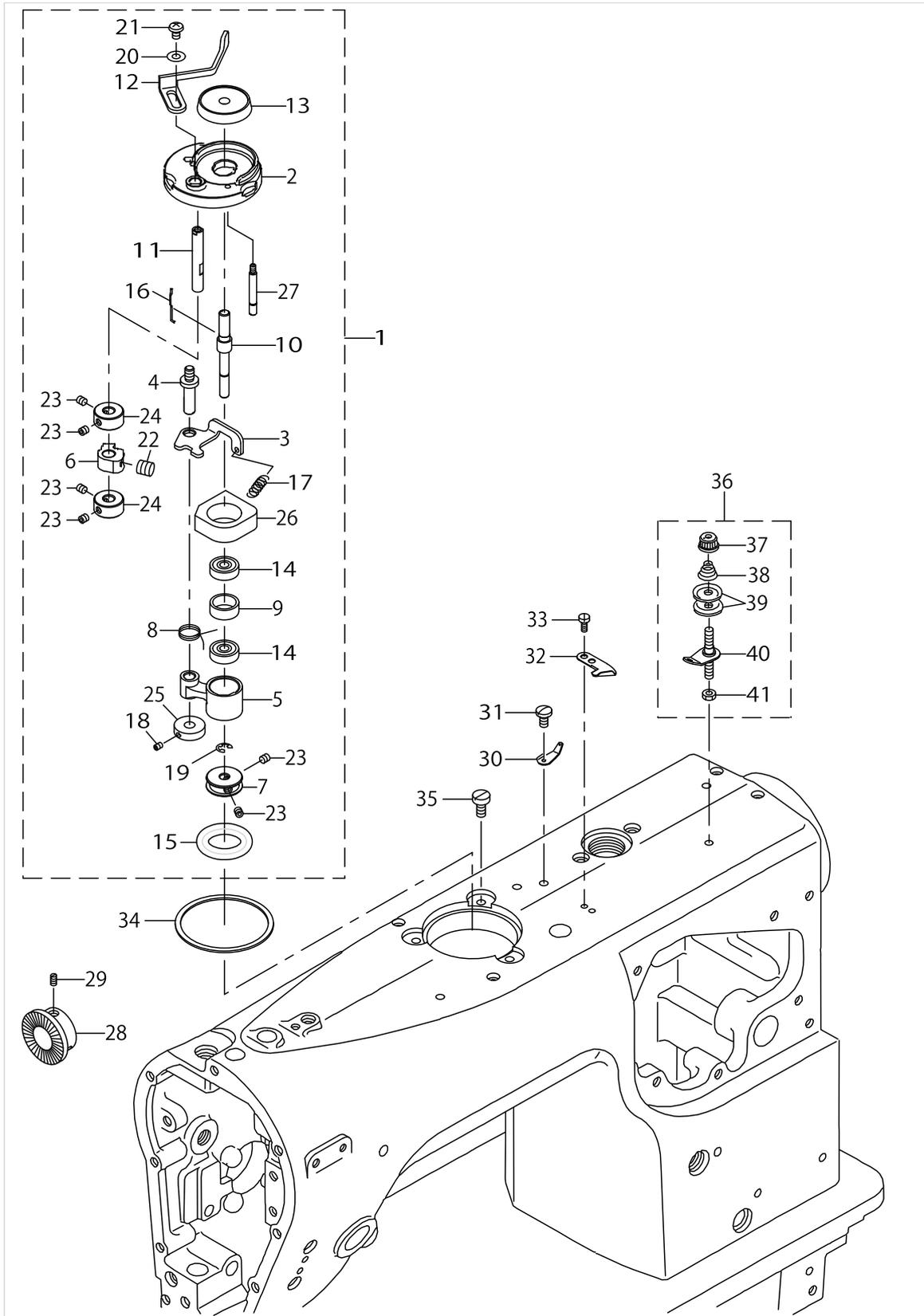
FRAME & MISCELLANEOUS COVER COMPONENTS (2)



FRAME & MISCELLANEOUS COVER COMPONENTS (2)

No.	Supply Code	Parts No.	Replacement	Parts name	Remarks	Choice	Step	Level	Cons	Qty	Rep. QTY
33		22548010		NEEDLE PLATE	VARIOUS NOS.FOR DESTINATIONS					1	
34		CM301300001		SAFETY LABEL						1	
35		CM300200002		CAUTION LABEL(25)						1	
36		22548705		NEEDLE PLATE	VARIOUS NOS.FOR DESTINATIONS					1	
37		M6093350AAF		RESISTANCE PACK ASM.	VARIOUS NOS.FOR DESTINATIONS					1	

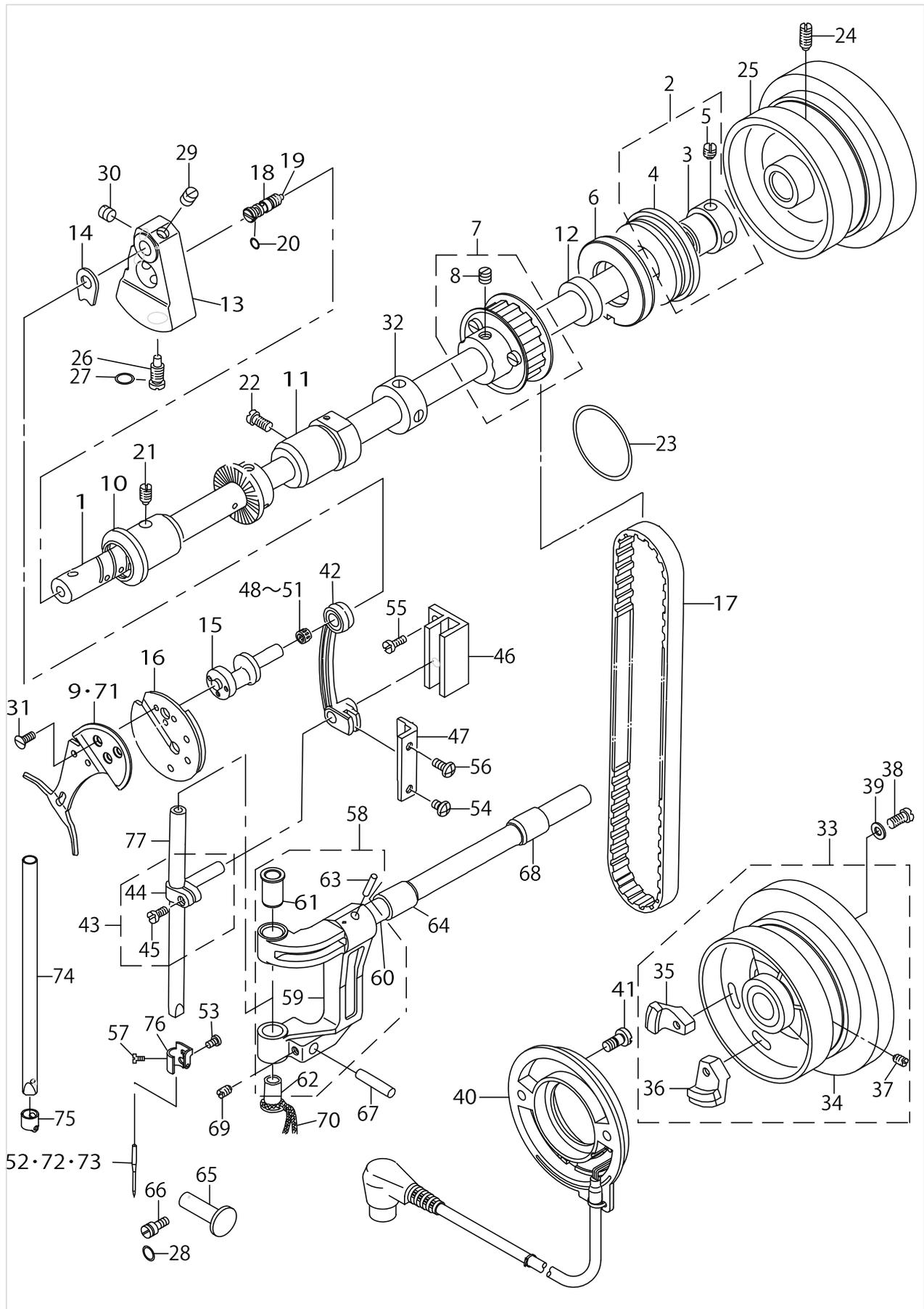
FRAME & MISCELLANEOUS COVER COMPONENTS (3)



FRAME & MISCELLANEOUS COVER COMPONENTS (3)

No.	Supply Code	Parts No.	Replacement	Parts name	Remarks	Choice	Step	Level	Cons	Qty	Rep. QTY
1		40034920		BOBBINWINDERUNIT						1	
2		40034904		BTW BASE				*		1	
3		40031628		BTW_CAM_PLATE				*		1	
4		40032138		BTW_BASE_SHAFT				*		1	
5		26260406		BTW_SHAFT_BASE				*		1	
6		26260505		BTW_CAM_LEVER				*		1	
7		40026730		BTW WHEEL				*		1	
8		40031633		BTW_TORSION_SPRING				*		1	
9	R	26260802	26260000	BTW_BEARING_SPACER				*		1	1.00
10		40031629		BTW_SHAFT				*		1	
11	R	40031630	40034920	BTW LEVER SHAFT				*		1	1.00
12		40021933		BTW_LEVER				*		1	
13		26261206		BTW_SPACER				*		1	
14	R	26261305	26260000	BTW_BEARING				*		2	1.00
15		A321600100A		RUBBER RING				*		1	
16		26261602		BOBBIN_SPRING				*		1	
17		26261701		BTW_SPRING				*		1	
18		SM8030412TP		SCREW				*		1	
19		RE0400000K0		E-RING 4				*		1	
20		WP0450826SC		WASHER 4.5X10X0.8				*		1	
21		SM5040655SN		SCREW				*		1	
22		SM8050502TP		SCREW M5 L=5				*		1	
23		SM8040412TP		SET SCREW M4 L=4				*		6	
24		40026745		COLLAR				*		2	
25		40043720		COLLAR				*		1	
26		40034919		BTW PROTECT SPONGE				*		1	
27		40031631		BTW_SPRING_SHAFT				*		1	
28	R	22538805	22538854	DRIVING WHEEL						1	1.00
29		SS8660610TP		SCREW 1/4-40 L=6						2	
30		D3162555B00		THREAD GUIDE						1	
31		SS7110840SP		SCREW 11/64-40 L=7.8						1	
32		10502300		THREAD CUTTER						1	
33	R	SS6090620SP	SS6090620TP	SCREW 9/64-40 L=6						2	1.00
34		22538706		PACKING						1	
35		SS6121030SN		SCREW 3/16-28 L=10						3	
36		22529481		BOBBIN THREAD TENSION ASM.						1	
37		11072402		THREAD TENSION NUT				*		1	
38		11093606		THREAD TENSION SPRING				*		1	
39	R	B3214047000	22945802	BOBBIN WINDER TENSION DISC				*		2	1.00
40		22529473		BOBBIN THREAD T- ENSION ROD ASM.				*		1	
41		NS6110310SP		NUT 11/64-40				*		1	

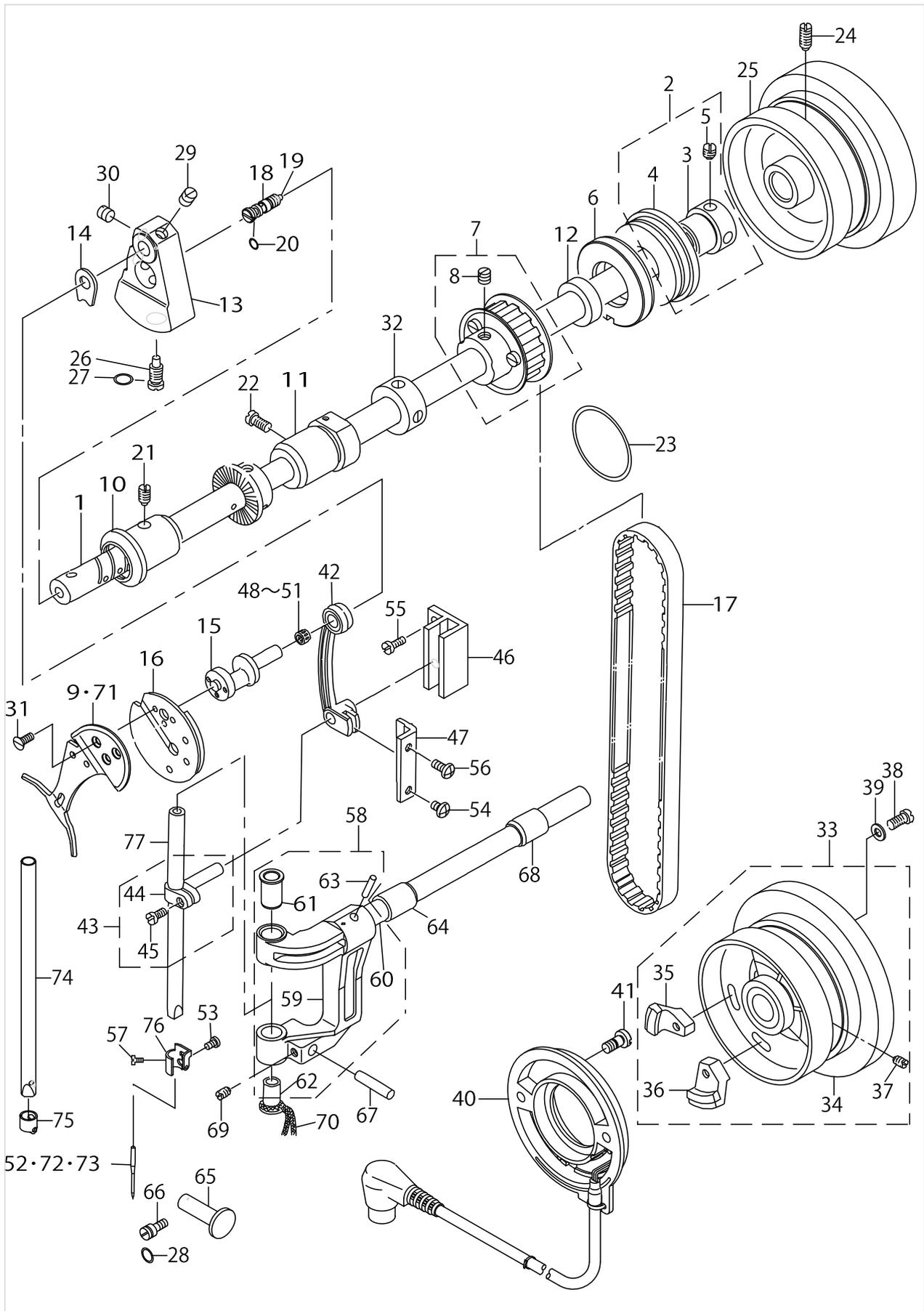
MAIN SHAFT & NEEDLE BAR COMPONENTS



MAIN SHAFT & NEEDLE BAR COMPONENTS

No.	Supply Code	Parts No.	Replacement	Parts name	Remarks	Choice	Step	Level	Cons	Qty	Rep. QTY
1	R	26302208	40101683	MAIN SHAFT		A				1	1.00
1	R	26302208	40109128	MAIN SHAFT		A				1	1.00
2		22505259		THRUST COLLAR ASM.						1	
3		22505200		THRUST COLLAR				*		1	
4		SB120000100		BEARING D=20X47				*		1	
5		SS8660610TP		SCREW 1/4-40 L=6				*		2	
6		26305516		OIL SEAL COLLAR						1	
7		40044872		SPROCKET UPPER ASM.						1	
8		SS8660610TP		SCREW 1/4-40 L=6				*		2	
9		22506109		BALANCE	SPECIAL ORDER PARTS					1	
10		40040372		MAIN SHAFT BUSHING						1	
11		B1203227000A		MAIN SHAFT BUSHING, INTERMEDIA						1	
12		B1208552000A		OIL SEAL						1	
13		26300202		COUNTERWEIGHT						1	
14		10008506		COUNTERWEIGHT PROTECTING PLATE						1	
15		26300301		NEEDLE BAR CRANK						1	
16		10008753		TAKE-UP COUNTERWEIGHT ASM.						1	
17		22505705		TIMING BELT						1	
18		26304402		PIN						1	
19		B1810552000		OIL WICK						1	
20		RO029180100		RUBBER RING						1	
21	R	SS8151150SP	SS8151150TP	SCREW 15/64-28 L=10.5						1	1.00
22		SS7151120SP		SCREW 15/64-28 L=11						1	
23		RO437200200		RUBBER RING						1	
24		SS8151550SP		SCREW 15/64-28 L=15						2	
25		22505507		HAND WHEEL						1	
26		SS7681650TP		SCREW 9/32-28 L=16						1	
27		RO044240100		RUBBER RING						1	
28		RO048190100		RUBBER RING						1	
29		SS8660610TP		SCREW 1/4-40 L=6						2	
30		SS8660610TP		SCREW 1/4-40 L=6						2	
31		SS1090930SP		SCREW 9/64-40 L=8.6						3	
32		22904155		MAIN SHAFT THRU-ST COLLAR ASM.						1	
33		22551568		HAND WHEEL ASM.	FOR LZ-22-80N-7, LZ--2281N-7, LZ-Z-2286N-7, LZ-2288N-7					1	
34		22551550		HAND WHEEL COMPL.	FOR LZ-22-80N-7, LZ--2281N-7, LZ-Z-2286N-7, LZ-2288N-7			*		1	
35		M40071100AB		MAGNET FITTING BASE B ASM.	FOR LZ-22-80N-7, LZ--2281N-7, LZ-Z-2286N-7, LZ-2288N-7			*		1	

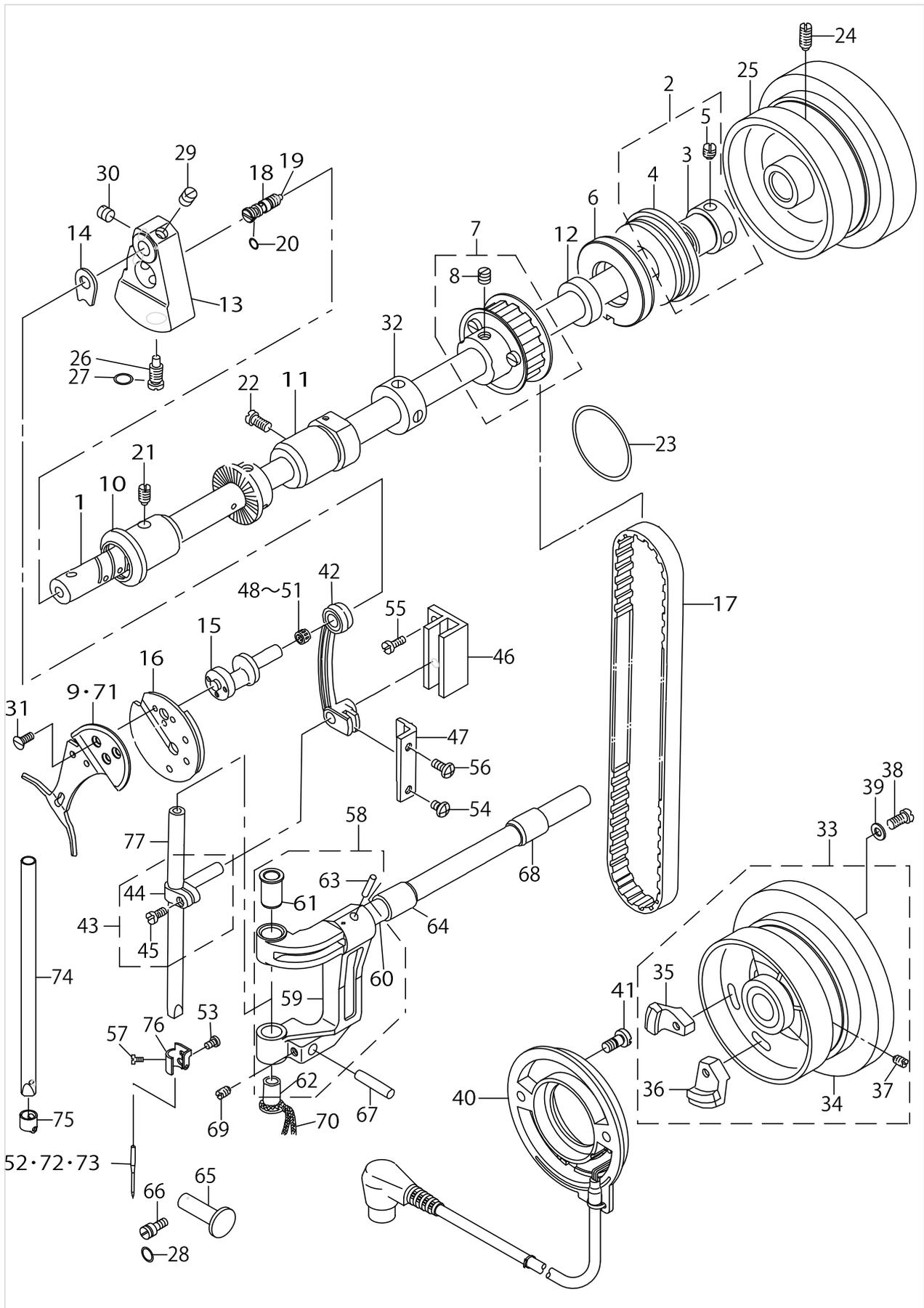
MAIN SHAFT & NEEDLE BAR COMPONENTS



MAIN SHAFT & NEEDLE BAR COMPONENTS

No.	Supply Code	Parts No.	Replacement	Parts name	Remarks	Choice	Step	Level	Cons	Qty	Rep. QTY
36		M40071100AA		MAGNET FITTING BASE A ASM.	FOR LZ-22-80N-7,LZ--2281N-7, L-Z-2286N-7- ,LZ-2288N-7			*		1	
37		SS8151550SP		SCREW15/64-28L=15	FOR LZ-22-80N-7,LZ--2281N-7, L-Z-2286N-7- ,LZ-2288N-7			*		2	
38		SS6111210SP		SCREW11/64-40L=12	FOR LZ-22-80N-7,LZ--2281N-7, L-Z-2286N-7- ,LZ-2288N-7					2	
39		WP0450801SD		WASHER 4.5X10X0.8	FOR LZ-22-80N-7,LZ--2281N-7, L-Z-2286N-7- ,LZ-2288N-7					2	
40	R	11032562	22937965	DYNAMO STATOR	FOR LZ-22-80N-7,LZ--2281N-7, L-Z-2286N-7- ,LZ-2288N-7					1	1.00
41		10604809		SCREW	FOR LZ-22-80N-7,LZ--2281N-7, L-Z-2286N-7- ,LZ-2288N-7					2	
42	R	22507156	40082351	NEEDLE BAR CRANK ROD ASM.						1	1.00
43		40070532		NEEDLE_BAR_CONNECTION_ASM.						1	
44		40056873		NEEDLE BAR CONNECTION				*		1	
45		SS7090910TP		SCREW9/64-40L=8.5				*		1	
46		22508006		NEEDLE BAR CONNECTION GUIDE						1	
47		26300400		CRANK ROD GUIDE						1	
48		B1905541A00		NEEDLE BEARING, A	SELECTIVE PARTS					1	
49		B1905541B00		NEEDLE BEARING	SELECTIVE PARTS					1	
50		B1905541C00		NEEDLE BEARING	SELECTIVE PARTS					1	
51		B1905541D00		NEEDLE BEARING	SELECTIVE PARTS					1	
52		MC192300750		NEEDLE 438 #75	VARIOUS NOS.FOR DESTINATIONS					1	
53		SS7080520SP		SCREW 1/8-44 L=4.9						1	
54		SS4110615SP		SCREW 11/64-40 L=6						1	
55		SS4110915SP		SCREW 11/64-40 L=9						2	
56		SS4110915SP		SCREW 11/64-40 L=9						1	
57		SS7060310SP		SCREW 3/32-56 L=3	VARIOUS NOS.FOR DESTINATIONS					1	
58		26300962		NEEDLE BAR YOKE ASM.						1	
59		26300913		NEEDLE BAR YOKE				*		1	
60		22509202		SHAFT				*		1	
61		10013019		NEEDLE BAR BUSHI-NG, UPPER D=7.				*		1	
62		10013118		NEEDLE BAR BUSHI-NG, LOWER D=7.				*		1	
63		PS0400252KP		SPRING PIN				*		1	
64		22913008		FEED ROCKER SHAFT BUSHING						1	
65		26305904		NEEDLE BAR YOKE PRESSER						1	
66		26306001		SCREW						1	

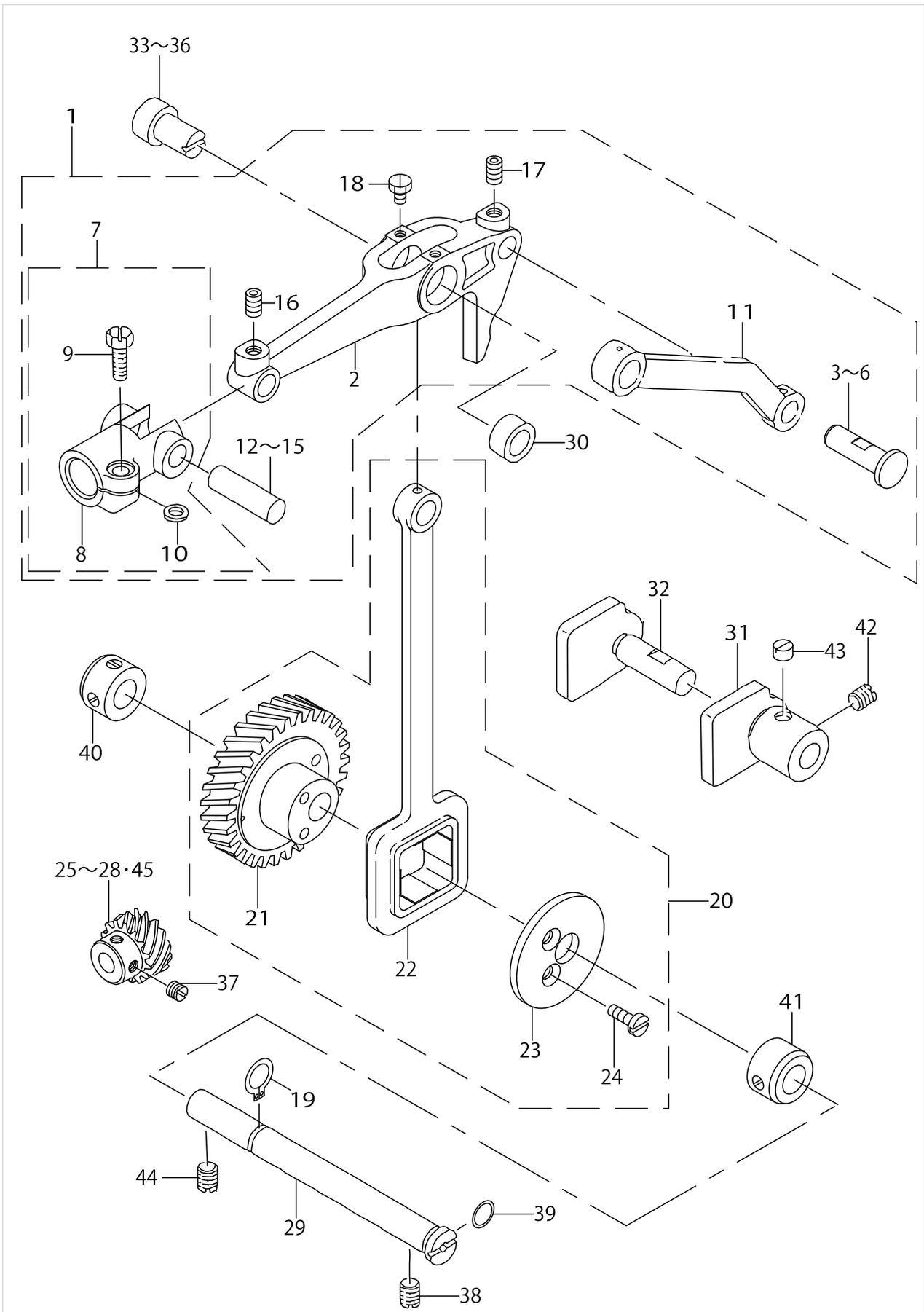
MAIN SHAFT & NEEDLE BAR COMPONENTS



MAIN SHAFT & NEEDLE BAR COMPONENTS

No.	Supply Code	Parts No.	Replacement	Parts name	Remarks	Choice	Step	Level	Cons	Qty	Rep. QTY
67		10013407		GUIDE PIN						1	
68		26301408		SHAFT BUSHING , REAR						1	
69		SS8120740SP		SCREW 3/16-28 L=7						1	
70		CQ202000000		OIL WICK						.1	
71		22506208		BALANCE V						1	
72		MC2005F0700		NEEDLE 134SUK 70	VARIOUS NOS.FOR DESTINATIONS					1	
73		MDP500B1000		NEEDLE DPX5 #10	VARIOUS NOS.FOR DESTINATIONS					1	
74		22507818		NEEDLE ROD	VARIOUS NOS.FOR DESTINATIONS					1	
75		22507701		NEEDLE ROD THREAD RACK R	VARIOUS NOS.FOR DESTINATIONS					1	
76		22507404		THREAD RACK	VARIOUS NOS.FOR DESTINATIONS					1	
77	R	22507503	40015494	NEEDLE ROD	VARIOUS NOS.FOR DESTINATIONS					1	1.00

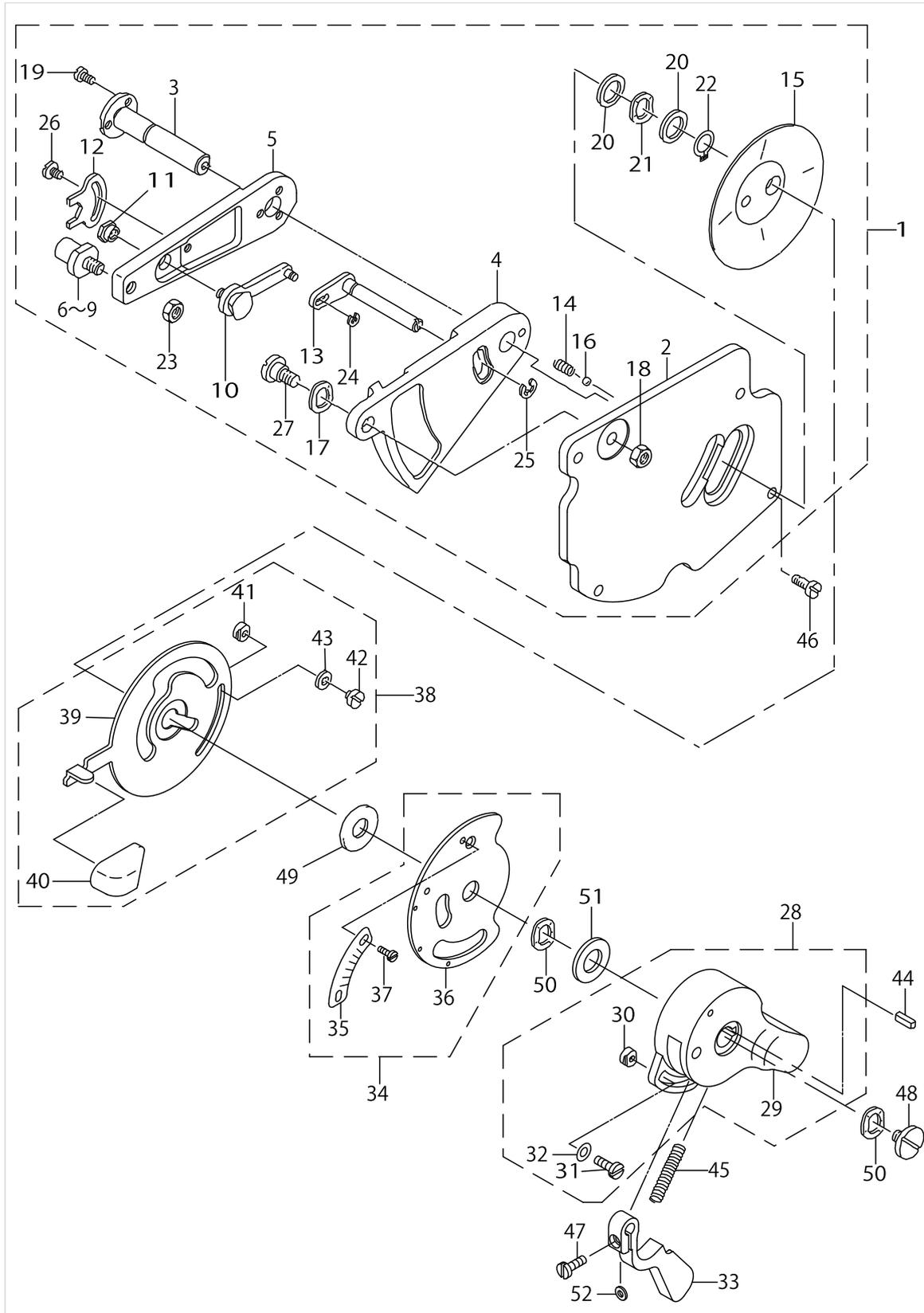
NEEDLE VIBRATOR & ADJUSTMENT COMPONENTS (1)



NEEDLE VIBRATOR & ADJUSTMENT COMPONENTS (1)

No.	Supply Code	Parts No.	Replacement	Parts name	Remarks	Choice	Step	Level	Cons	Qty	Rep. QTY
1	D	22509756		DRIVE LINK ASM.						1	
2		40065490		DRIVE LINK				*		1	
3	D	26307405		LINK	SELECTIVE PARTS			*		1	
4	D	26307504		SHAFT	SELECTIVE PARTS			*		1	
5		26307603		SHAFT	SELECTIVE PARTS			*		1	
6		26307702		SHAFT	SELECTIVE PARTS			*		1	
7		40056375		SHAFT CONNECTION ASM				*		1	
8		40056376		SHAFT CONNECTION				*		1	
9		SS7121410TP		SCREW 3/16-28 L=14				*		1	
10		WP0510516SD		WASHER 5.1X7.5X0.5				*		1	
11		26302307		LINK				*		1	
12		10012904		PIN D	SELECTIVE PARTS			*		1	
13		10012607		PIN	SELECTIVE PARTS			*		1	
14		10012706		PIN B	SELECTIVE PARTS			*		1	
15		10012805		PIN C	SELECTIVE PARTS			*		1	
16		SM8050812TP		SCREW M5X8				*		1	
17		SM8050812TP		SCREW M5X8				*		1	
18		SS9090610TP		SCREW 9/64-40 L=5.5				*		2	
19		RC0100001KP		SNAP RING M10						1	
20		22510051		NEEDLE VIBRATING CAM ASM.						1	
21		22510002		NEEDLE VIBRATING CAM				*		1	
22		22510101		NEEDLE VIBRATING ROD				*		1	
23		22510200		CAM COVER				*		1	
24		SS2110920TP		SCREW 11/64-40 L=8.5				*		2	
25		10011005		SCREW GEAR A	SELECTIVE PARTS					1	
26		10011104		SCREW GEAR B	SELECTIVE PARTS					1	
27		10011203		SCREW GEAR C	SELECTIVE PARTS					1	
28		10011302		SCREW GEAR D	SELECTIVE PARTS					1	
29		26300608		NEEDLE VIBRATING CAM SHAFT						1	
30		10012201		BUSHING						1	
31		10012417		DRIVE LINK GUIDE A						1	
32		10012516		DRIVE LINK GUIDE B						1	
33		26301002		PIN A	SELECTIVE PARTS					1	
34		26301101		PIN B	SELECTIVE PARTS					1	
35		26301200		PIN B	SELECTIVE PARTS					1	
36		26301309		PIN D	SELECTIVE PARTS					1	
37		SS8660610TP		SCREW 1/4-40 L=6						2	
38		SS8660970TP		SCREW 1/4-40 L= 8.5						1	
39		RO069180100		RUBBER RING						1	
40		CS1031210SH		THRUST COLLAR A- SM. D=10.32 W=12						1	
41		CS103121BSH		THRUST COLLAR A- SM. D=10.32 W=12						1	
42	R	SS8150710SP	SS8150710TP	SCREW 15/64-28 L=7						1	1.00
43		SS8660410SP		SCREW 1/4-40 L= 4.2						1	
44		SS8660810TP		SCREW 1/4-40 L=8						1	
45		10014009		SCREW GEAR E	SELECTIVE PARTS					1	

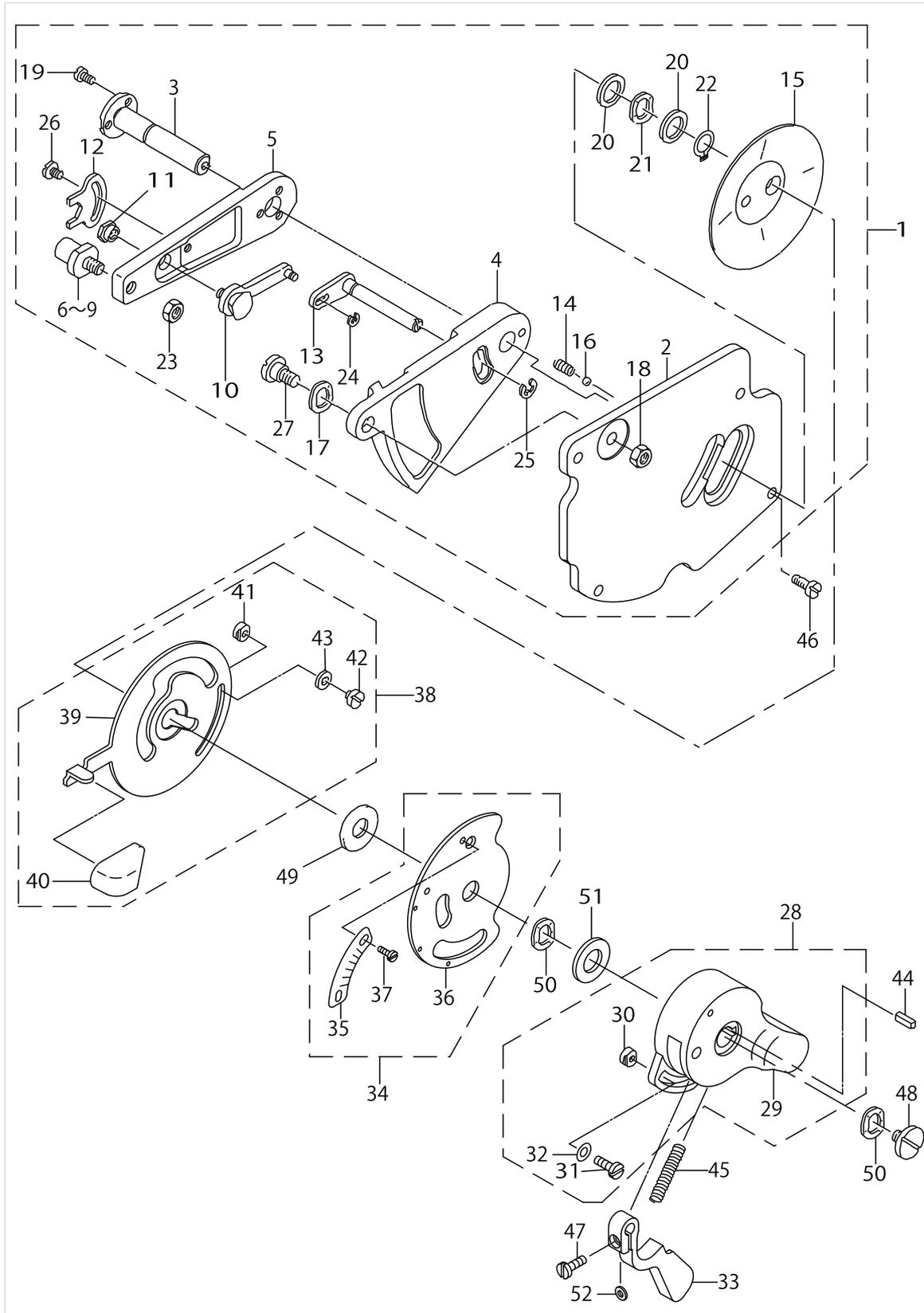
NEEDLE VIBRATOR & ADJUSTMENT COMPONENTS (2)



NEEDLE VIBRATOR & ADJUSTMENT COMPONENTS (2)

No.	Supply Code	Parts No.	Replacement	Parts name	Remarks	Choice	Step	Level	Cons	Qty	Rep. QTY
1		22512057		BASE ASM.						1	
2		26306506		BASE MOUNTING PLATE				*		1	
3		26307306		SHAFT				*		1	
4		26302703		NEEDLE POSITION ADJUSTING BASE				*		1	
5		26301507		ARM				*		1	
6		10016517		SHAFT	SELECTIVE PARTS			*		1	
7		10016210		SHAFT	SELECTIVE PARTS			*		1	
8		10016319		SHAFT	SELECTIVE PARTS			*		1	
9		10016418		SHAFT	SELECTIVE PARTS			*		1	
10		10017168		STOPPER ASM.				*		1	
11		10018000		NUT				*		1	
12		10018109		NUT STOPPER				*		1	
13		10015360		LEVER ASM.				*		1	
14		10017408		SPRING				*		1	
15		10017606		OIL SHIELD				*		1	
16		B2608761000		HAND STOP CRANK SHAFT BALL				*		1	
17		WZ0850302K0		WAVED WASHER 8.5X12.5X0.3				*		3	
18		NS6150310SP		NUT 15/64-28				*		1	
19	R	SS6090620SP	SS6090620TP	SCREW 9/64-40 L=6				*		3	1.00
20		WP1020616SD		WASHER				*		2	
21		WZ1052010KP		WAVED WASHER				*		1	
22		RC0100001KP		SNAP RING M10				*		1	
23		NS6150310SP		NUT 15/64-28				*		1	
24		RE0200000K0		E-RING				*		1	
25		RE0400000K0		E-RING 4				*		1	
26		SS6090520SP		SCREW 9/64-40 L= 5.0				*		1	
27		SD0800402TP		HINGE SCREW D= 8 H= 4				*		1	
28		22512156		KNOB ASM.						1	
29	R	22512107	22512156	KNOB				*		1	1.00
30		10015907		LEVER STOPPER				*		2	
31		SS7090610SP		SCREW 9/64-40 L=6				*		2	
32		WP0371016SD		WASHER 3.7X8X1				*		2	
33		26306803		LEVER						1	
34		22512362		SCALE PLATE ASM.						1	
35		22512313		SCALE PLATE				*		1	
36		26306951		SCALE MOUNTING BASE COMPL.				*		1	
37		SS6080320SP		SCREW 1/8-44 L= 2.5				*		2	
38		26307157		LEVER ASM.						1	
39	R	26307108	26307157	LEVER				*		1	1.00
40		26307207		KNOB				*		1	
41		26306704		LEVER STOPPER				*		2	
42		SS7090410SP		SCREW 9/64-40 L= 3.5				*		2	
43		WP0371016SD		WASHER 3.7X8X1				*		2	
44		10015105		KEY						1	
45		10017705		SPRING						1	
46		SS4120915SP		SCREW 3/16-28 L=9						4	

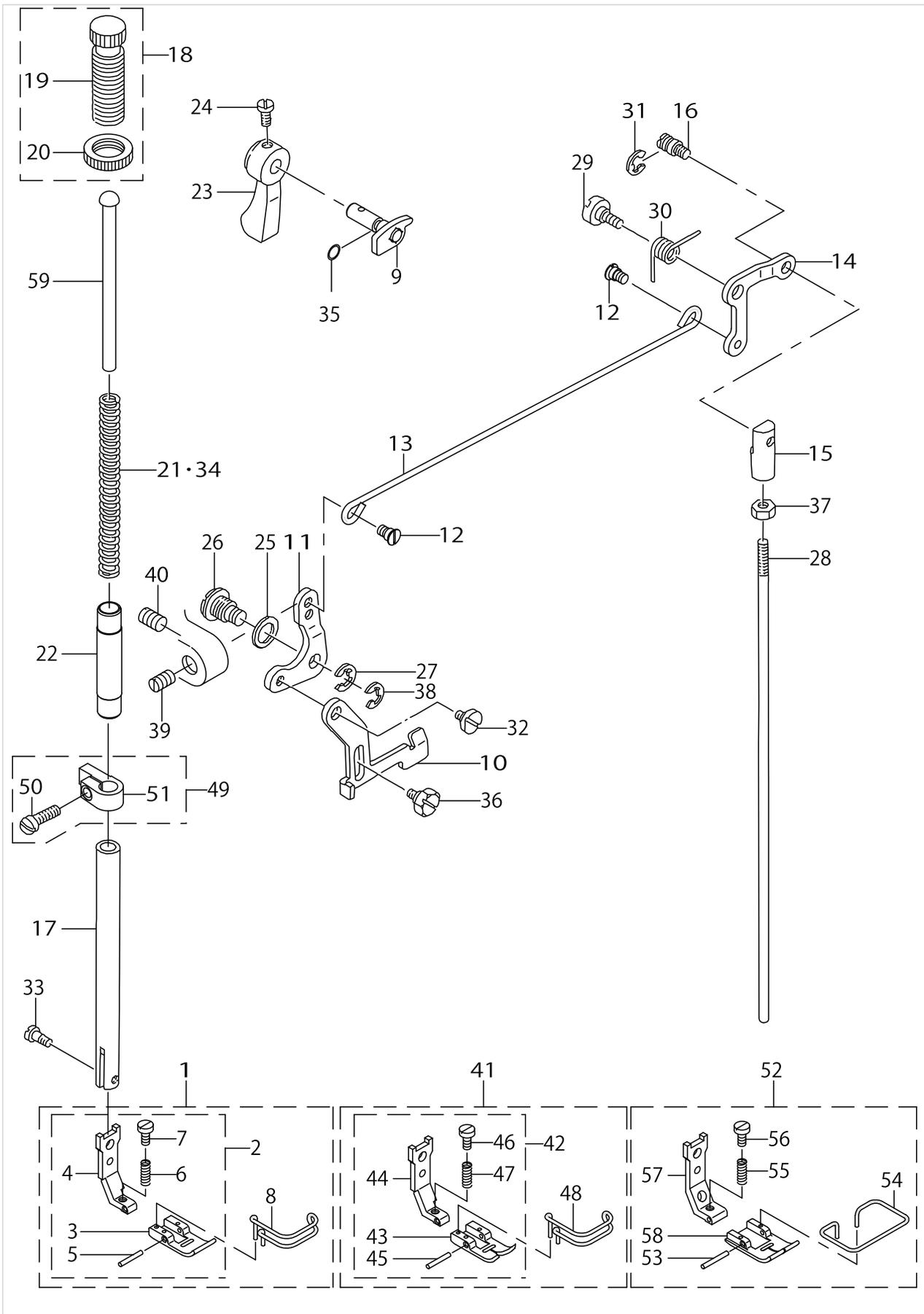
NEEDLE VIBRATOR & ADJUSTMENT COMPONENTS (2)



NEEDLE VIBRATOR & ADJUSTMENT COMPONENTS (2)

No.	Supply Code	Parts No.	Replacement	Parts name	Remarks	Choice	Step	Level	Cons	Qty	Rep. QTY
47		SS7090910TP		SCREW 9/64-40 L=8.5						1	
48		SS7620750SP		SCREW 3/16-32 L=6.5						1	
49		WP1021016SD		WASHER						1	
50		WZ1052010KP		WAVED WASHER						2	
51		WP1020616SD		WASHER						1	
52		WP0371036SD		WASHER 3.7X6X1						1	

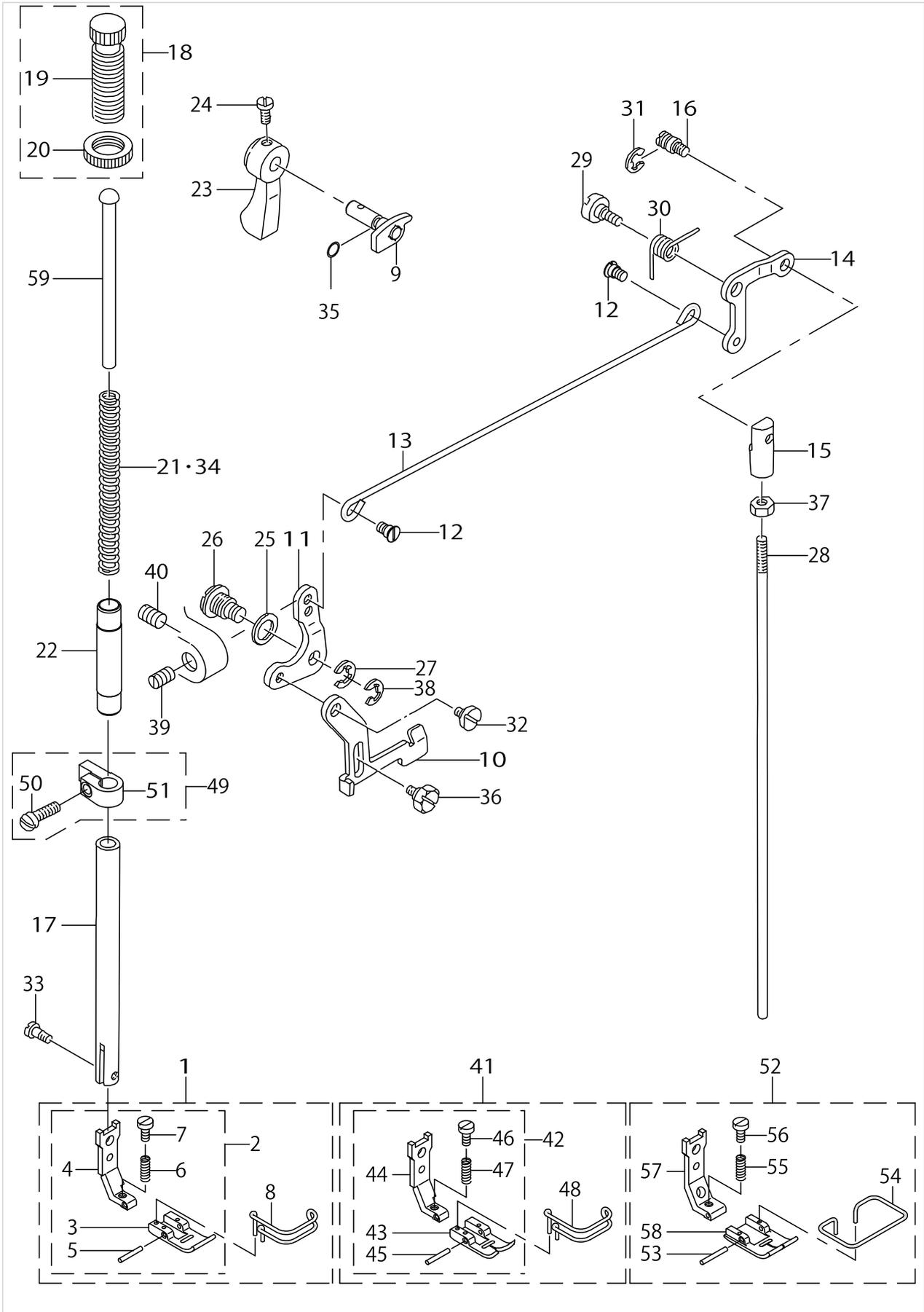
PRESSER BAR & FEED REGULATOR COMPONENTS



PRESSER BAR & FEED REGULATOR COMPONENTS

No.	Supply Code	Parts No.	Replacement	Parts name	Remarks	Choice	Step	Level	Cons	Qty	Rep. QTY
1		22547970		PRESSER FOOT ASM.	VARIOUS NOS.FOR DESTINATIONS					1	
2	R	22547954	22547962	PRESSER FOOT ASM.				*		1	1.00
3		22547913		PRESSER FOOT (LOWER)				*		1	
4	R	22546816	22547970	PRESSER FOOT (UPPER)		A	A:Japan	*		1	1.00
4	R	22546816	22548671	PRESSER FOOT (UPPER)		B	B:JHK, JS	*		1	1.00
4	R	22546816	22547962	PRESSER FOOT (UPPER)		C	C:JA, Japan	*		1	1.00
4	R	22546816	22548663	PRESSER FOOT (UPPER)		D	D:JA, JHK, JS	*		1	1.00
5	D	22547806		PRESSER PIN				*		1	
6		B1525582000		SPRING				*		1	
7		SS6090810SP		SCREW 9/64-40 L= 7.5				*		1	
8		10021202		FINGER COVER				*		1	
9		26307850		HAND LIFTER CAM COMPL.						1	
10		26308007		LIFTING LEVER						1	
11		B1516552000		LIFTING LEVER LINK						1	
12		22908909		HINGE SCREW						2	
13		22908305		LIFTING LEVER CONNECTING ROD						1	
14		B3414555000		LIFTING LEVER LINK ARM						1	
15		B3416555000		SWIVEL						1	
16		B3416552000		CONNECTING ROD HINGE SCREW						1	
17	R	10022010	40125469	PRESSER BAR						1	1.00
18		22907554		PRESSER SPRING REG NUT ASM.						1	
19	R	11071602	22907554	PRESSER SPRING REGULATOR				*		1	1.00
20	R	11071701	22907554	NUT				*		1	1.00
21		22907406		PRESSER SPRING	VARIOUS NOS.FOR DESTINATIONS					1	
22		22907109		PRESSER BAR BUSHING, LOWER						1	
23		22907802		HAND LIFTER						1	
24		B1521555000		SCREW						1	
25		B3431581000		LIFTING LEVER GASKET						1	
26		B1517552000		HINGE PIN						1	
27		B1523226000		SNAP RING						1	
28		10022606		CONNECTING ROD, VERTICAL						1	
29		GAK33041000		KNEE LIFTING LINK STEP-SCREW						1	
30		GAK33042000		KNEE LIFTING LINK SPRING						1	
31		RE0500000K0		E-RING						1	
32		SD0630301SP		HINGE SCREW D=6.35 H=3						1	
33		SS7090910TP		SCREW 9/64-40 L= 8.5						1	
34		B1505227T00A		PRESSER SPRING T	VARIOUS NOS.FOR DESTINATIONS					1	
35		RO037180100		RUBBER RING						1	
36		SD0630275SP		HINGE SCREW D= 6.35 H= 2.7						1	
37		NS6620310SP		NUT 3/16-32						1	
38		RE0600000K0		E-RING 6						1	
39		SS8151720SP		SCREW						1	
40		SS8150510TP		SCREW 15/64-28 L= 4.7						1	

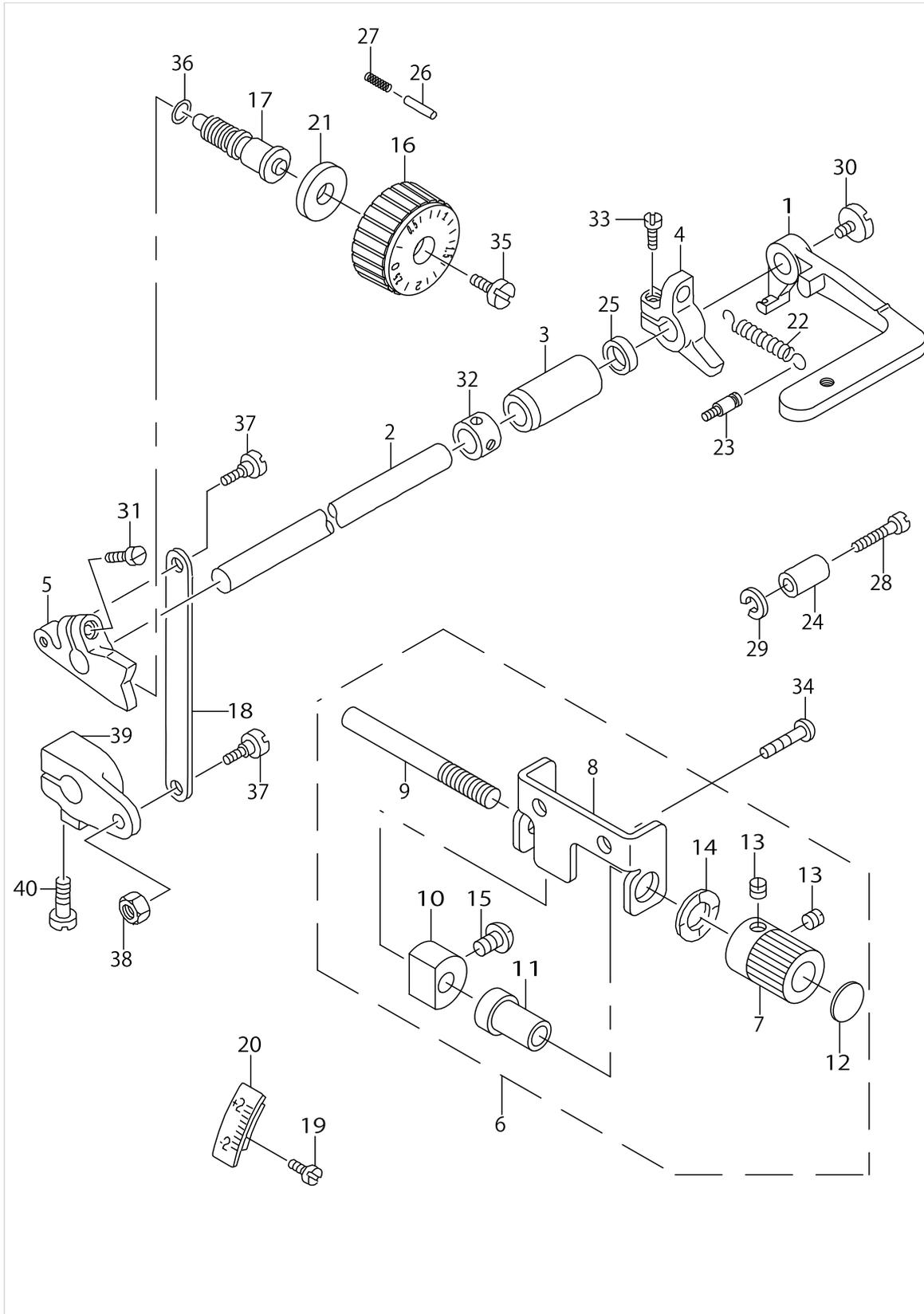
PRESSER BAR & FEED REGULATOR COMPONENTS



PRESSER BAR & FEED REGULATOR COMPONENTS

No.	Supply Code	Parts No.	Replacement	Parts name	Remarks	Choice	Step	Level	Cons	Qty	Rep. QTY
41		22548671		PRESSER FOOT ASM.	VARIOUS NOS.FOR DESTINATIONS					1	
42	R	22548655	22548663	PRESSER FOOT ASM.				*		1	1.00
43	R	22548614	22548671	PRESSER FOOT (LOWER)				*		1	1.00
44	R	22546816	22547970	PRESSER FOOT (UPPER)		A	A:Japan	*		1	1.00
44	R	22546816	22548671	PRESSER FOOT (UPPER)		B	B:JHK, JS	*		1	1.00
44	R	22546816	22547962	PRESSER FOOT (UPPER)		C	C:JA, Japan	*		1	1.00
44	R	22546816	22548663	PRESSER FOOT (UPPER)		D	D:JA, JHK, JS	*		1	1.00
45	D	22547806		PRESSER PIN				*		1	
46		SS6090810SP		SCREW 9/64-40 L= 7.5				*		1	
47		B1525582000		SPRING				*		1	
48		10021202		FINGER COVER				*		1	
49		40070531		PRESSER_BAR_CONNECTION_ASM.						1	
50		SS7111110TP		SCREW 11/64-40 L=10.5				*		1	
51		26302901		PRESSER BAR GUIDE BRACKET				*		1	
52		22548960		PRESSER ASM.	VARIOUS NOS.FOR DESTINATIONS					1	
53		10021103		PRESSER PIN					*		1
54		22545404		SAFETY COVER				*		1	
55		B1525582000		SPRING				*		1	
56		SS6090810SP		SCREW 9/64-40 L= 7.5				*		1	
57	R	22545206	22547558	PRESSER FOOT (UPPER)				*		1	1.00
58		22548903		PRESSER FOOT (LOWER)				*		1	
59		22907703		PRESSER GUIDE BAR						1	

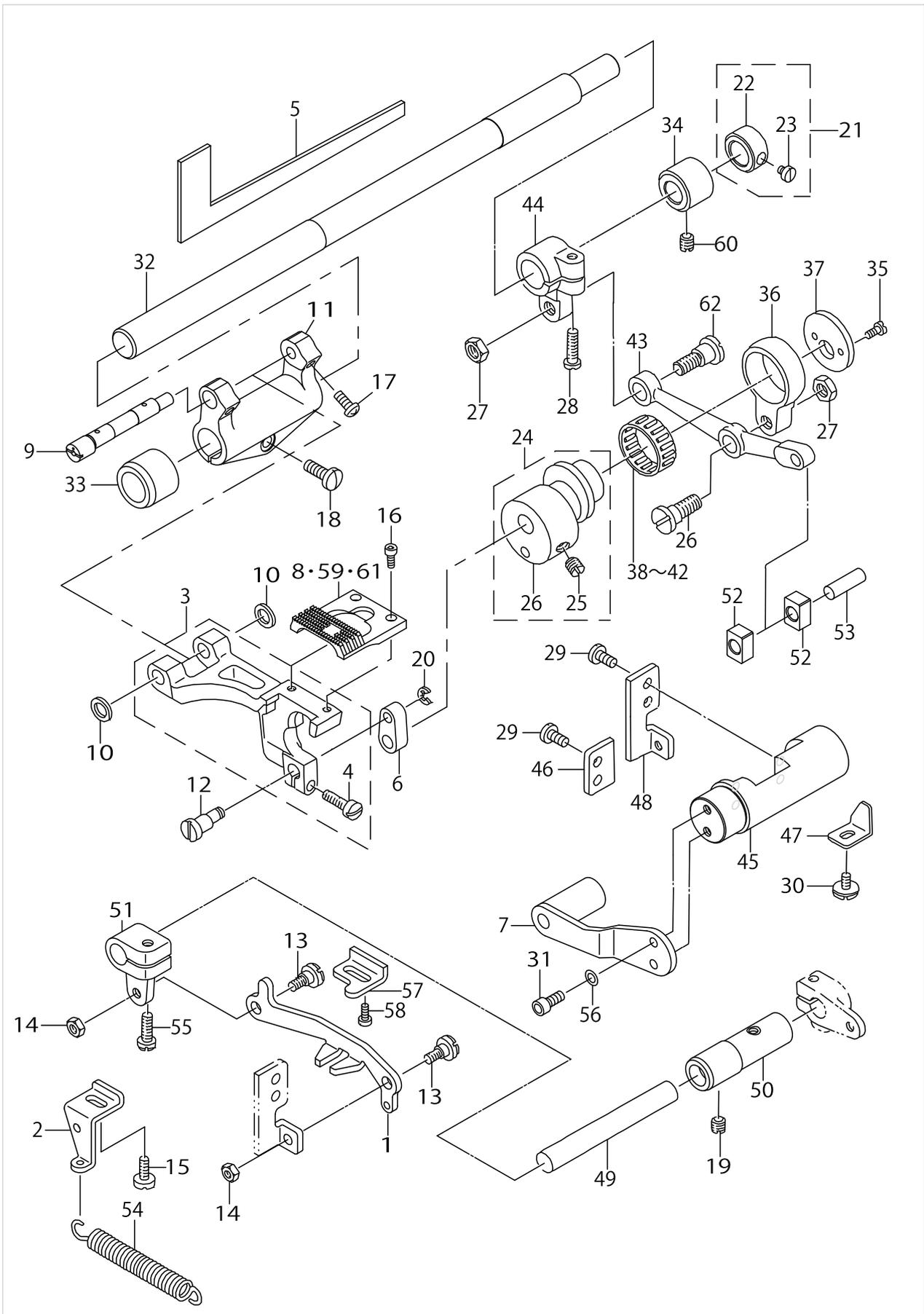
FEED MECHANISM & CONDENSE COMPONENTS



FEED MECHANISM & CONDENSE COMPONENTS

No.	Supply Code	Parts No.	Replacement	Parts name	Remarks	Choice	Step	Level	Cons	Qty	Rep. QTY
1		40056754		LEVER						1	
2		22518104		SHAFT						1	
3		26308205		BUSHING						1	
4		26308353		CONDENSE STOPPER ARM ASM.						1	
5		26308403		FEED DRIVING ADJUSTER						1	
6	R	26308551	40057195	KNOB ASM.						1	1.00
7		26308502		KNOB				*		1	
8	R	26308601	40057195	ADJUSTING SCREW BASE				*		1	1.00
9		26308700		ADJUSTING SCREW				*		1	
10		26308809		STOPPER				*		1	
11		26308908		SHAFT				*		1	
12	R	26309005	40057195	STOPPER DIAL PLATE				*		1	1.00
13		SS8110410TP		SCREW 11/64-40 L= 3.5				*		2	
14		WZ1052010KP		WAVED WASHER				*		1	
15		SS4110715SP		SCREW 11/64-40 L=7				*		1	
16		26302000		FEED DIAL						1	
17		22519201		ADJUSTING SCREW						1	
18		22519300		FEED REVERSALLINK						1	
19		SS4120615SP		SCREW 3/16-28 L=6						2	
20		22519805		SCALE PLATE						1	
21		D2468555B00		RUBBER PLUNGER	FOR LZ-22-80N-7,LZ--2281N-7, L-Z-2286N-7-,LZ-2288N-7					1	
22		D2515232D00		TORSION SPRING						1	
23		26226407		TENSION SPRING HOOK						1	
24	R	11100500	22952501	REVERSE FEED LEVER STOPPER						1	1.00
25	R	B2508704000	40176173	OIL SEAL						1	1.00
26		22912000		FEED REGULATOR PIN						1	
27		22912109		FEED REGULATOR PIN SPRING						1	
28		SS6121840SP		SCREW 3/16-28 L=18						1	
29		WS0510002KP		SPRING WASHER 5.1X9.2X1.3						1	
30		SS7620750SP		SCREW 3/16-32 L=6.5						1	
31		SS7121410TP		SCREW 3/16-28 L=14						1	
32		GS1031210SH		THRUST COLLAR A-SM. D=10.32 W=1						1	
33		SS7121410TP		SCREW 3/16-28 L=14						1	
34		SS4120615SP		SCREW 3/16-28 L=6						2	
35		SS6121860SP		SCREW 3/16-28 L=18						1	
36		RO074240100		RUBBER RING						1	
37		SD0600321SP		HINGE SCREW D=6 H=3.2						2	
38		NS6120310SP		NUT 3/16-28						1	
39	D	26303602		FEED VARIABLE ARM B						1	
40		SS6121610TP		SCREW 3/16-28 L=15.5						1	

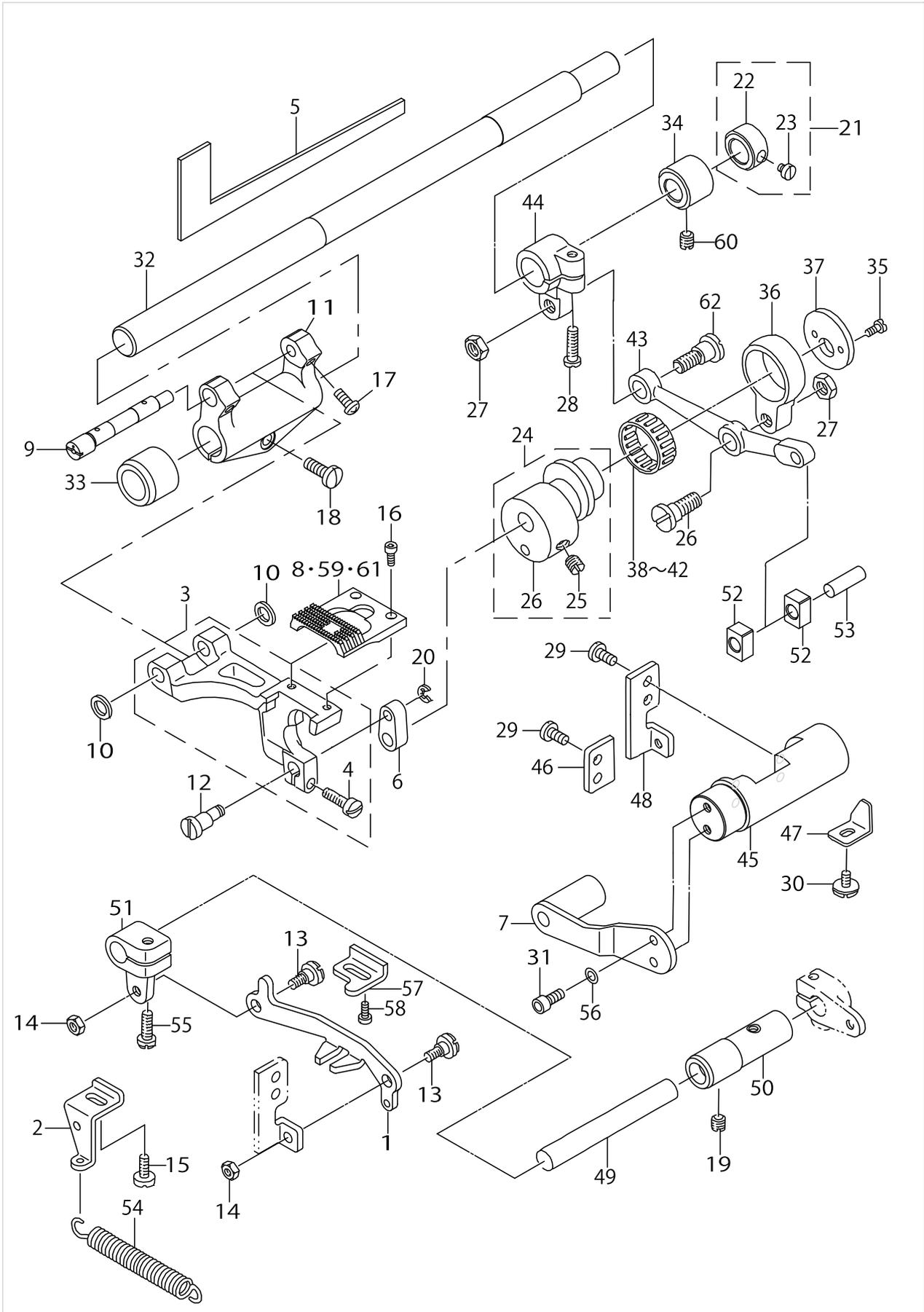
FEED MECHANISM COMPONENTS



FEED MECHANISM COMPONENTS

No.	Supply Code	Parts No.	Replacement	Parts name	Remarks	Choice	Step	Level	Cons	Qty	Rep. QTY
1		26309104		FEED REVERSAL LINK B						1	
2		22519607		TENSION SPRING RACK						1	
3		40031418		FEED BASE ASM.						1	
4		SS7121410TP		SCREW 3/16-28 L=14				*		1	
5		22519904		FELT						1	
6		22520001		LINK						1	
7		26309351		BALANCE WEIGHT COMPL.						1	
8		22548119		FEED DOG	VARIOUS NOS.FOR DESTINATIONS					1	
9		40035702		FEED BASE SHAFT						1	
10		10026201		SPACER						2	
11		40055832		FEED ROCER						1	
12		26303107		LINK SHAFT						1	
13		SD0600321SP		HINGE SCREW D=6 H=3.2						2	
14		NS6120310SP		NUT 3/16-28						2	
15		SS6111140SP		SCREW 11/64-40L=11						1	
16		SS6580752TP		SCREW 1/8-40 L=7						2	
17		SS4120915SP		SCREW 3/16-28 L=9						2	
18		SS7121410TP		SCREW 3/16-28 L=14						1	
19		SS8150510TP		SCREW 15/64-28 L= 4.7						1	
20		RE0300000K0		E-RING 3						1	
21		CS1111010SH		THRUST COLLAR A-SM. D=11.11 W=10						1	
22		CS1111019SH		THRUST COLLAR D=11.11 W=10				*		1	
23		SS6660710TP		SCREW 1/4-40 L=7				*		1	
24		10026763		ECCENTRIC CAM ASM.						1	
25		SS8660810TP		SCREW 1/4-40 L=8				*		2	
26	D	10026706		ECCENTRIC CAM				*		1	
27		NS6680410SP		NUT 9/32-28						2	
28		SS6121610TP		SCREW 3/16-28 L=15.5						1	
29		SS7110910TP		SCREW 11/64-40 L= 8.5						4	
30		SS5110710SP		SCREW 11/64-40 L=7						1	
31		SS6111052TP		SCREW						2	
32		26314906		FEED ROCKERSHAFT						1	
33		B1604141H00		BUSHING, FRONT						1	
34		26314500		FEED ROCKER SHAFT BUSHING, FRO						1	
35		SS4080620TP		SCREW 1/8-44 L=6						2	
36		26300509		ROD						1	
37		10026904		SIDE DISC PLATE						1	
38		B1609804A00		BUSHING	SELECTIVE PARTS					1	
39		B1609804B00		NEEDLE BEARING	SELECTIVE PARTS					1	
40		B1609804C00		BEARING	SELECTIVE PARTS					1	
41		B1609804D00		BEARING	SELECTIVE PARTS					1	
42		B1609804E00		BEARING	SELECTIVE PARTS					1	
43		26303206		CONNECTING ROD						1	
44		10027100		FEED ROCKER SHAFT CRANK						1	

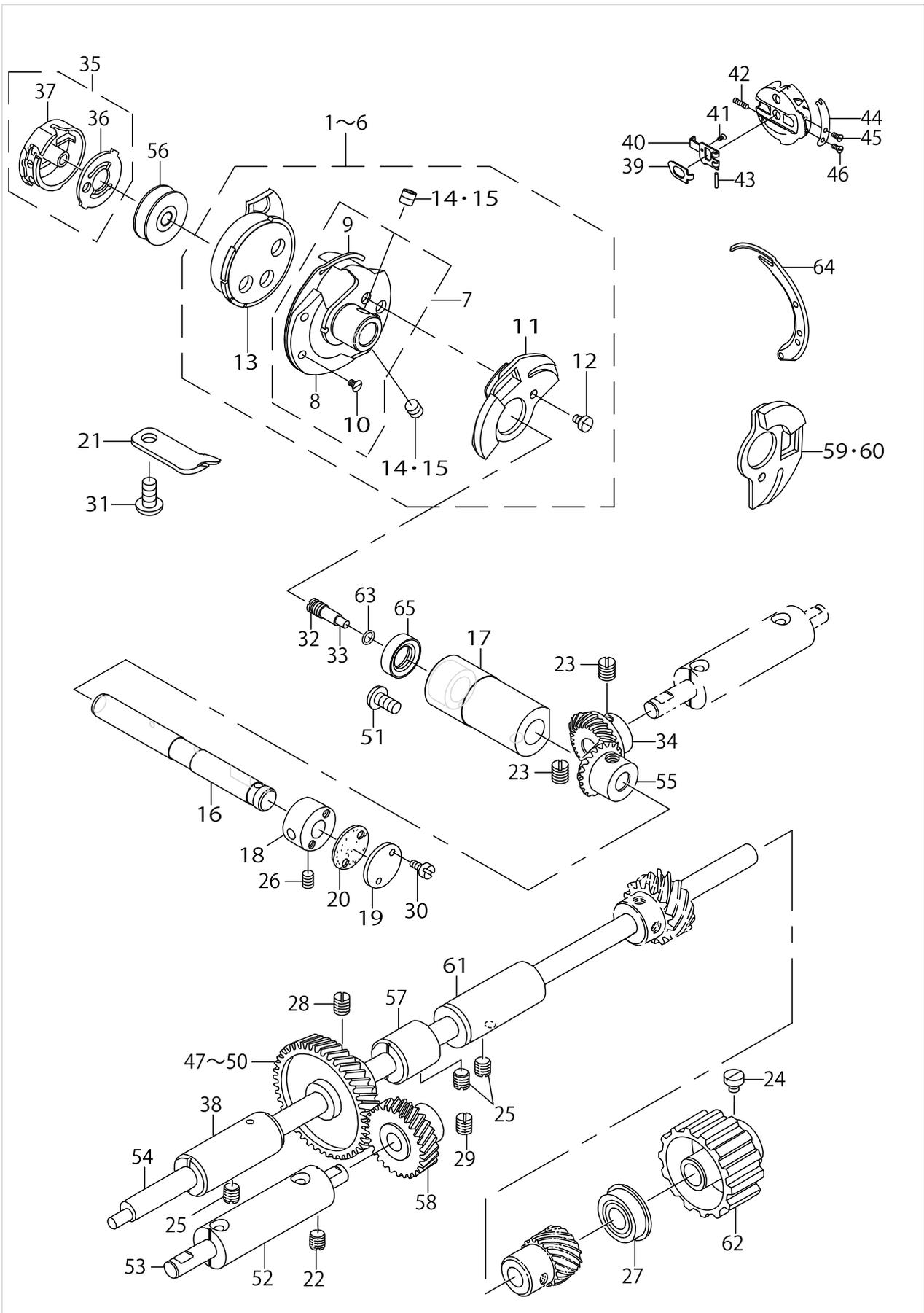
FEED MECHANISM COMPONENTS



FEED MECHANISM COMPONENTS

No.	Supply Code	Parts No.	Replacement	Parts name	Remarks	Choice	Step	Level	Cons	Qty	Rep. QTY
45		40010319		FEED ADJUSTING						1	
46		26303404		PLATE A						1	
47		10027506		STOPPER PLATE						1	
48		10027407		PLATE B						1	
49		26303503		FEED VARIABLE SHAFT						1	
50		40043912		BUSHING						1	
51		26303701		FEED VARIABLE ARM C						1	
52		40050457		FEED DRIVING ROCKER BLOCK						2	
53		40032271		FEED DRIVING ROCKER BLOCK PIN						1	
54		B1646555000		TENSION SPRING						1	
55		SS7121410TP		SCREW 3/16-28 L=14						1	
56		WP0450846SP		WASHER						2	
57		10029304		REVERSE FEED LIMITER						1	
58		SS6111140SP		SCREW11/64-40L=11						1	
59		22545107		FEED DOG	VARIOUS NOS.FOR DESTINATIONS					1	
60	R	SS8150710SP	SS8150710TP	SCREW 15/64-28 L=7						2	1.00
61		22548804		FEED DOG	VARIOUS NOS.FOR DESTINATIONS					1	
62		SD0900701TP		HINGESCREW=9H=7						2	

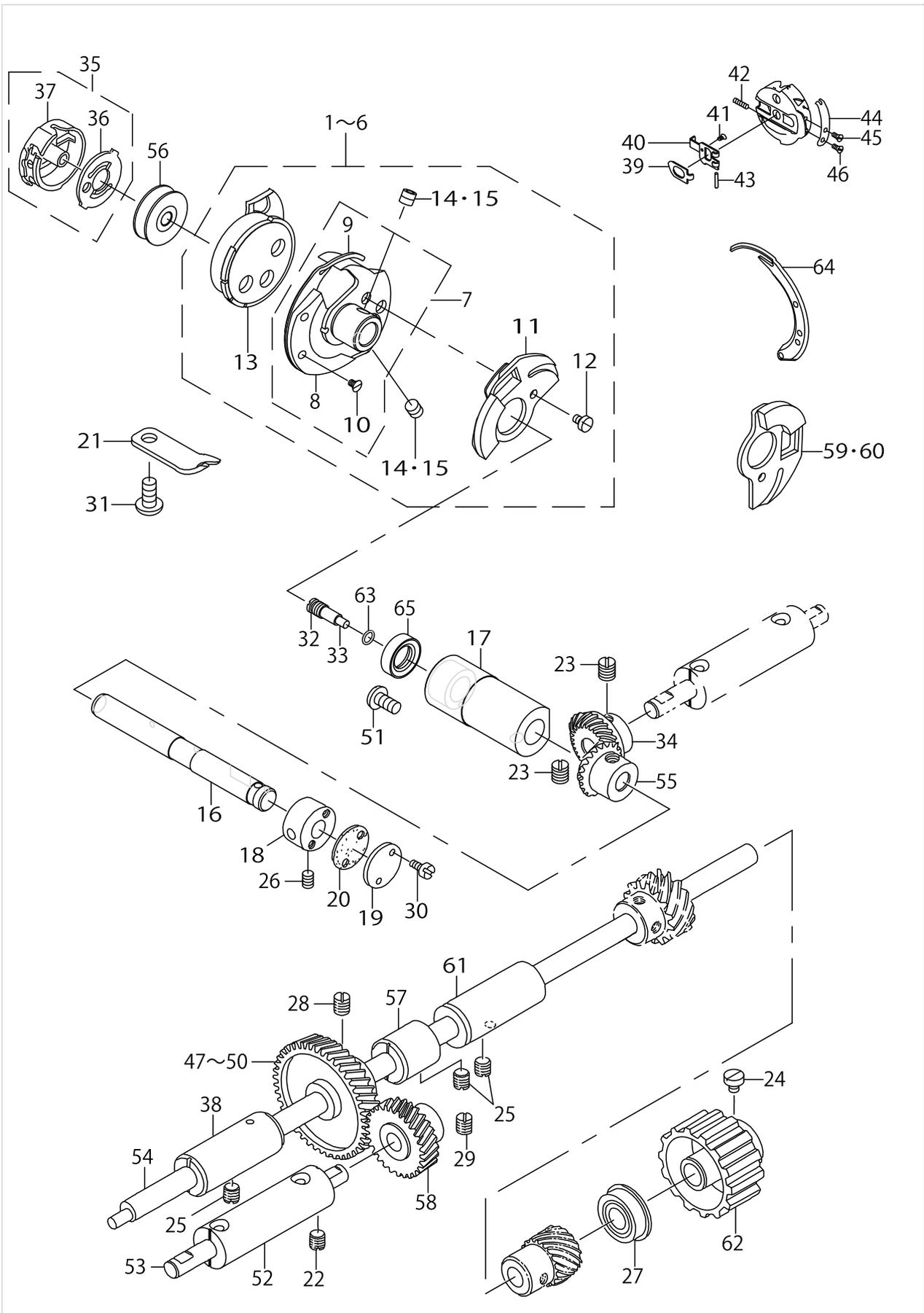
HOOK DRIVING SHAFT & HOOK COMPONENTS



HOOK DRIVING SHAFT & HOOK COMPONENTS

No.	Supply Code	Parts No.	Replacement	Parts name	Remarks	Choice	Step	Level	Cons	Qty	Rep. QTY
1	R	22525059	22525877	HOOK COMPL., RIGHT	SPECIAL ORDER PARTS					1	1.00
2		22525877		HOOK COMPL. V						1	
3		22526677		HOOK COMPL. V (PLASTIC HOOK)	SPECIAL ORDER PARTS					1	
4		22526578		HOOK COMPL. V (HARD POINT)	SPECIAL ORDER PARTS					1	
5	R	22525257	22526578	HOOK COMBINATIO- N (HARD POINT)	SPECIAL ORDER PARTS					1	1.00
6	R	22525752	22526677	HOOK ASM. (PLASTIC)	SPECIAL ORDER PARTS					1	1.00
7		22525968		ROTATING HOOK V ASM.	SPECIAL ORDER PARTS			*		1	
8	R	22525919	22525968	OUTER HOOK V				*		1	1.00
9		23503501		INNER HOOK PRESSER V-S				*		1	
10		10033009		HOOK GIB SCREW				*		2	
11		22526206		REVERSE PLATE V				*		1	
12		10033108		HOOK COUNTER BALANCE SCREW				*		1	
13		22526008		INNER HOOK V				*		1	
14		SS8110422TP		SCREW 11/64-40 L=4				*		2	
15		SS8110520TP		SCREW 11/64-40 L= 4.5				*		2	
16		40043050		HOOK SHAFT						1	
17		40043051		HOOK SHAFT BUSHING						1	
18	R	26304303	10031516	HOOK SHAFT BUSHING B						1	1.00
19		10031615		BUSHING CAP						1	
20		10031714		GASKET						1	
21		23503402		INNER HOOK STOPPER						1	
22	R	SS8150710SP	SS8150710TP	SCREW 15/64-28 L=7						1	1.00
23		SS8660810TP		SCREW 1/4-40 L=8						4	
24		SS6660710TP		SCREW 1/4-40 L=7						2	
25	R	SS8150710SP	SS8150710TP	SCREW 15/64-28 L=7						3	1.00
26		SS8150822TP		SCREW 15/64-28 L=8						1	
27		SB109530100		BEARING D=9.52X22.22						1	
28		SS8660810TP		SCREW 1/4-40 L=8						2	
29		SS8660810TP		SCREW 1/4-40 L=8						2	
30		SS4080620TP		SCREW 1/8-44 L=6						2	
31		SS4110915SP		SCREW 11/64-40 L=9						1	
32		22916506		SET SCREW						1	
33		11015906		OIL WICK						1	
34		B13071550A0		GEAR ASM. LARGE						1	
35	R	22524169	40003598	BOBBIN CASE ASM.	FOR LZ-22-80N-7,LZ--2281N-7, L-Z-2286N-7,LZ-2288N-7					1	1.00
36		13729702		BOBBIN CASE SPRING	FOR LZ-22-80N-7,LZ--2281N-7, L-Z-2286N-7,LZ-2288N-7			*		1	
37	R	22524151	40003598	BOBBIN CASE COMPL.				*		1	1.00
38	R	26303800	10030104	BUSHING, FRONT						1	1.00
39		19800903		LC-601-1/ LATCH LEVER						1	
40		19801000		LC-602-2/ LATCH						1	

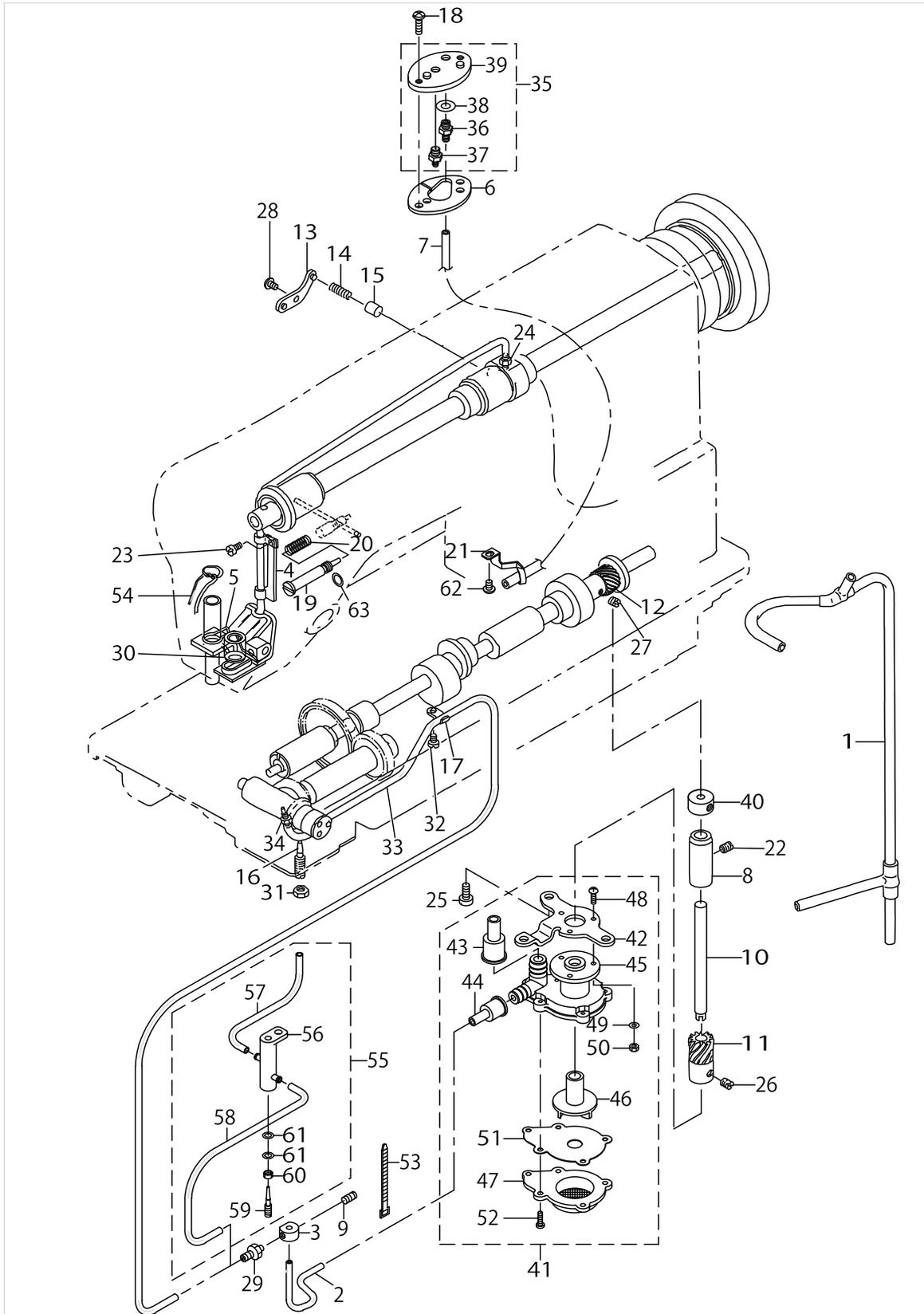
HOOK DRIVING SHAFT & HOOK COMPONENTS



HOOK DRIVING SHAFT & HOOK COMPONENTS

No.	Supply Code	Parts No.	Replacement	Parts name	Remarks	Choice	Step	Level	Cons	Qty	Rep. QTY
41		19801307		SMS-801-B/ SETSCREW PICK-UP						1	
42		19801109		LSP-4/ LATCH SPRING						1	
43		19801208		LFP-1/ LATCH PIN						1	
44		19801406		TSP-604-B/ TENSION SPRING						1	
45		19801505		SMS-608-B/ TENSION SCREW						1	
46		19801604		SMS-609-B/ SETS-CREW TENSION SP						1	
47		10030609		HELICAL GEAR A, A	SELECTIVE PARTS					1	
48		10030708		HELICAL GEAR A, B	SELECTIVE PARTS					1	
49	D	10030807		HELICAL GEAR A, C	SELECTIVE PARTS					1	
50		10030906		HELICAL GEAR A, D	SELECTIVE PARTS					1	
51		11079506		FRONT SCREW	SPECIAL ORDER PARTS					1	
52		26309609		BUSHING						1	
53		26309708		SHAFT						1	
54		40010305		HOOK DRIVING SHAFT						1	
55		B13081550A0		PINION ASM.						1	
56		22596704		BOBBIN S						1	
57		26303909		BUSHING						1	
58		10031003		HELICAL GEAR B						1	
59		22524805		REVERSE PLATE	SPECIAL ORDER PARTS					1	
60		22526206		REVERSE PLATE V						1	
61		26304006		BUSHING, REAR						1	
62		10030401		HOOK DRIVING SHAFT SPROCKET						1	
63		RO036080200		RUBBER RING						1	
64		23503303		INNERPRESSERV-S4	SPECIAL ORDER PARTS					1	
65		23537202		HOOK SHAFT OIL SEAL						1	

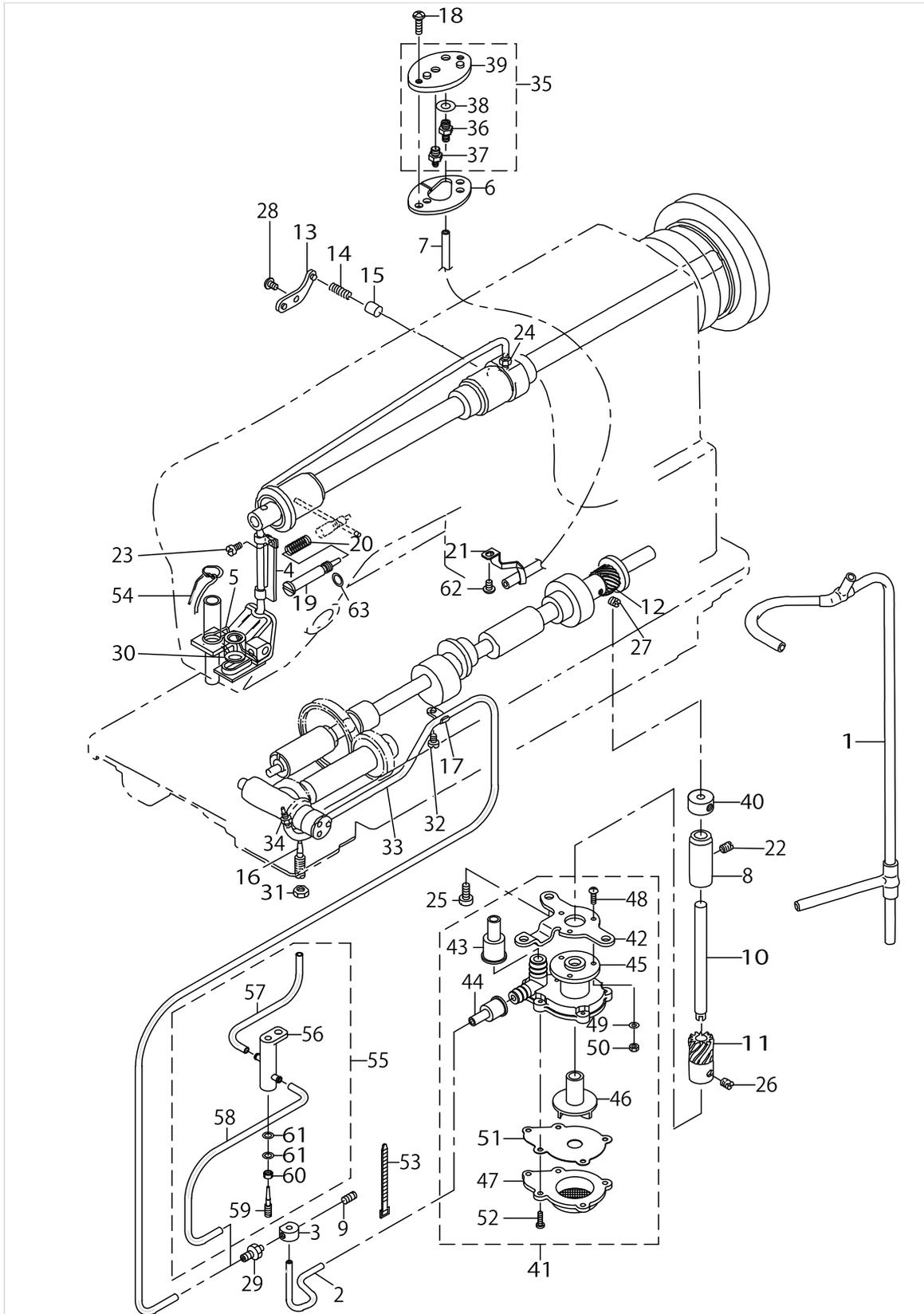
LUBRICATION COMPONENTS



LUBRICATION COMPONENTS

No.	Supply Code	Parts No.	Replacement	Parts name	Remarks	Choice	Step	Level	Cons	Qty	Rep. QTY
1		26315150		OIL SUPPLY PIPE ASM.						1	
2		26315200		OIL SUPPLY PIPE						1	
3		40035544		DISTRIBUTOR						1	
4		22531552		FELT ASM.						1	
5		26311902		FELT PRESSER						1	
6		40070261		GASKET						1	
7		BT0500300EA		OIL TUBE						.3	
8		10035301		BUSHING						1	
9	R	SS8110510SP	SS8110520TP	SCREW 11/64-40 L=5						1	1.00
10		26315408		UPRIGHT SHAFT						1	
11		10035111		PUMP DRIVING GEAR						1	
12		10035004		PUMP DRIVING GEAR A						1	
13		B3524552000		PLUNGER THRUST PLATE						1	
14		B1214038000		PLUNGER SPRING						1	
15		B3534155000		PLUNGER						1	
16		10037109		OIL REGULATING SCREW						1	
17		B3538112000		OIL RETURN TUBE HOLDER	VARIOUS NOS. FOR DESTINATIONS					1	
18		SS4111415SP		SCREW 11/64-40L=14						2	
19		26304501		OIL REGULATING SCREW						1	
20		22924906		OIL REGULATOR SCREW SPRING						1	
21		40009373		OIL FELT GUIDE						1	
22	R	SS8150710SP	SS8150710TP	SCREW 15/64-28 L=7						1	1.00
23		SS4110715SP		SCREW 11/64-40 L=7						1	
24		SQ1110402MZ		CONNECTING SCREW						1	
25		SS6111140SP		SCREW 11/64-40L=11						2	
26		SS8660530TP		SCREW 1/4-40 L= 4.5						2	
27		SS8660530TP		SCREW 1/4-40 L= 4.5						2	
28		SS4110615SP		SCREW 11/64-40 L=6						1	
29		SQ1110402MZ		CONNECTING SCREW						1	
30		CQ202000000		OIL WICK						.2	
31		NS6150310SP		NUT 15/64-28						1	
32		SS4110515SP		SCREW 11/64-40 L=5						1	
33		BT0500300EA		OIL TUBE	VARIOUS NOS. FOR DESTINATIONS					.33	
34		SQ1110402MZ		CONNECTING SCREW						2	
35		40070259		OIL_TANK_ASM.						1	
36		SQ2060451MZ		CONNECTING SCREW				*		1	
37		40070262		CONNECTING SCREW				*		1	
38		WP0621016SD		WASHER 6.2X13X1				*		1	
39		40070260		OIL_TANK				*		1	
40		22917058		THRUST COLLAR ASM., FRONT						1	
41		40020337		OIL PUMP ASM						1	
42	R	40020342	40020337	OIL POMP INSTALLING BASE				*		1	1.00
43	R	40020343	40020337	RUBBER JOINT				*		1	1.00
44	R	40020344	40020337	RUBBER JOINT				*		1	1.00

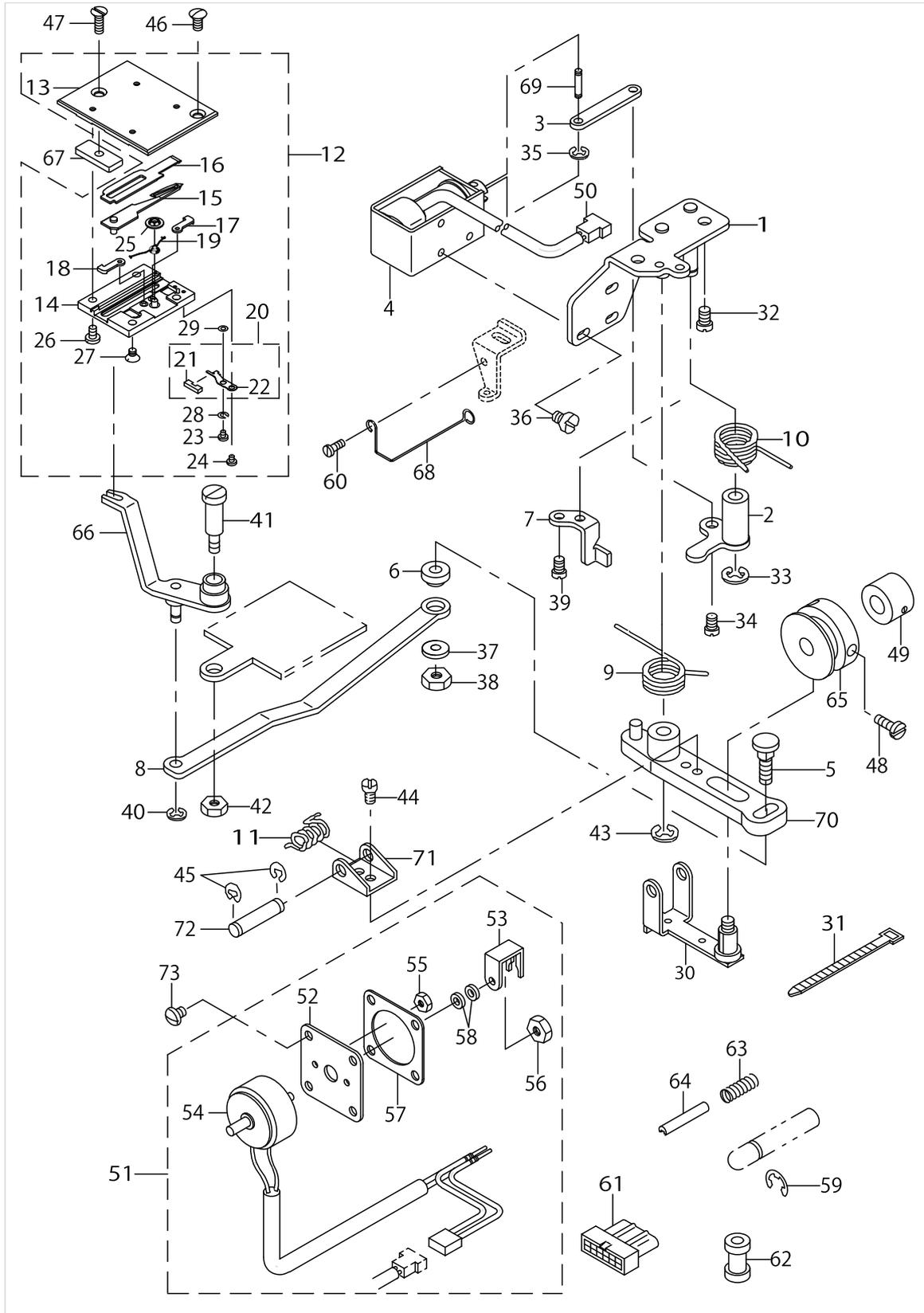
LUBRICATION COMPONENTS



LUBRICATION COMPONENTS

No.	Supply Code	Parts No.	Replacement	Parts name	Remarks	Choice	Step	Level	Cons	Qty	Rep. QTY
45	R	40020338	40020337	OIL PUMP				*		1	1.00
46	R	40020345	40020337	OIL PUMP IMPELLER				*		1	1.00
47	R	40020346	40020337	OIL PUMP COVER				*		1	1.00
48		SM4031001SC		SCREW M3X0.5 L=10				*		3	
49		WT0320002KZ		WASHER				*		3	
50	D	NM60300000E		NUT M3X0.5				*		3	
51	R	40020341	40020337	OIL PUMP IMPELLER COVER				*		1	1.00
52		SE4301031SR		SCREW				*		5	
53		EA9500B0100		CABLE BAND						1	
54		CQ202000000		OIL WICK						.2	
55		40069742		OIL REGULATING VALVE ASM.	VARIOUS NOS. FOR DESTINATIONS					1	
56		40069741		OIL REGULATING VALVE				*		1	
57		BT0500300EA		OIL TUBE				*		0.15	
58		BT0500300EA		OIL TUBE				*		0.2	
59	R	10623601	40032448	OIL ADJUSTING SCREW				*		1	1.00
60		NS6110310SP		NUT 11/64-40				*		1	
61		WP0450846SP		WASHER				*		2	
62		SS4110615SP		SCREW 11/64-40 L=6						1	
63		RO029180100		RUBBER RING						1	

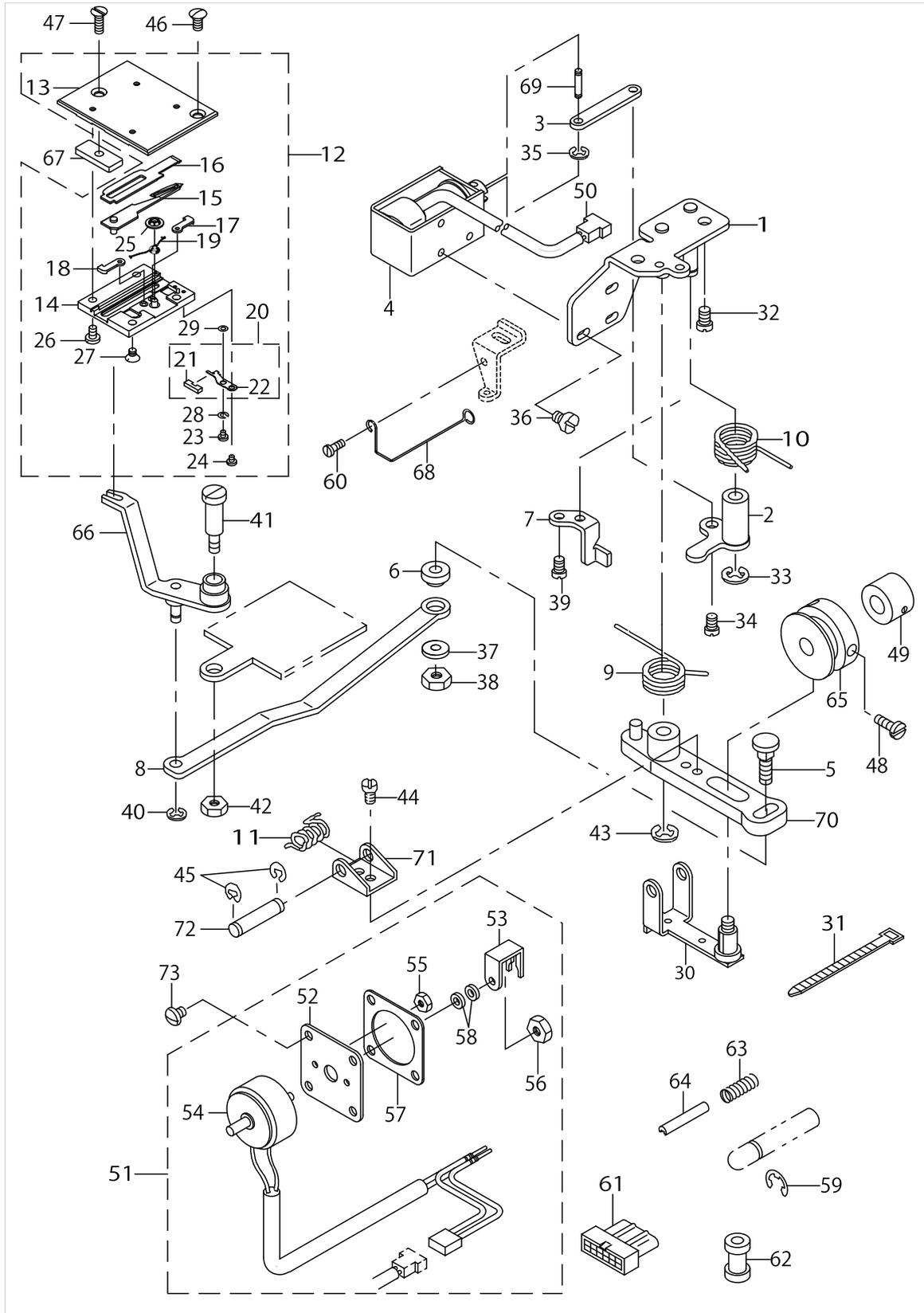
THREAD TRIMMER MECHANISM COMPONENTS



THREAD TRIMMER MECHANISM COMPONENTS

No.	Supply Code	Parts No.	Replacement	Parts name	Remarks	Choice	Step	Level	Cons	Qty	Rep. QTY
1		22554158		BASE PLATE ASM.						1	
2		22554356		CLUTCH PLATE ASM.						1	
3		22554505		CLUTCH LINK						1	
4	R	22554604	40106079	MAGNET						1	1.00
5	R	22554703	40010295	MOVING KNIFE LINK PIN						1	1.00
6		22554802		MOVING KNIFE LINK BASE						1	
7		22554901		DRIVING ARM STOPPER						1	
8		22555007		MOVING KNIFE LINK						1	
9		22555106		KNIFE RETURN SPRING						1	
10		22555205		CLUTCH SPRING						1	
11		22555304		ROLLER RETURN SPRING						1	
12		22557458		KNIFE UNIT						1	
13		22558308		SLIDING PLATE				*		1	
14		22558407		KNIFE BASE				*		1	
15		22557557		DRIVING KNIFE ASM.				*		1	
16		22557706		FIXED KNIFE				*		1	
17		22557805		KNIFE STOPPER, RIGHT				*		1	
18		22557904		KNIFE STOPPER, LEFT				*		1	
19		22558209		SPRING				*		1	
20		22558159		CLAMP PLATE ASM.				*		1	
21		22558001		FELT				*		1	
22		22558100		CLAMP PLATE				*		1	
23		SS7060310SP		SCREW 3/32-56 L=3				*		1	
24		SS7060310SP		SCREW 3/32-56 L=3				*		1	
25		NP210300000		LOCATING SPRING WASHER				*		1	
26		SS7090610SP		SCREW 9/64-40 L=6				*		2	
27		SS1090510SP		SCREW 9/64-40 L=5				*		2	
28		WS0270002KN		SPRINGWASHERM2.6				*		1	
29		D2056772B0B		WASHER B T=0.4				*		1	
30		22555858		ROLLER ARM ASM.						1	
31		EA9500B0100		CABLE BAND						2	
32		SS4150915SP		SCREW 15/64-28 L=9						2	
33		RE0600000K0		E-RING 6						1	
34		SD0600291TP		HINGE SCREW D=6 H=2.9						1	
35		RE0250000K0		E-RING 2.5						2	
36		SM4040601SB		SCREW M4 L=6						3	
37		WP0621016SH		WASHER						1	
38		NS6150430SP		NUT 15/64-28						1	
39		SS4110915SP		SCREW 11/64-40 L=9						2	
40		RE0500000K0		E-RING						1	
41		SD0791503SP		HINGE SCREW D=7.94 H=15						1	
42		NS6150310SP		NUT 15/64-28						1	
43		RE0600000K0		E-RING 6						1	
44		SS7090610SP		SCREW 9/64-40 L=6						1	
45		RE0400000K0		E-RING 4						1	
46		SS2110920TP		SCREW 11/64-40 L=8.5						1	

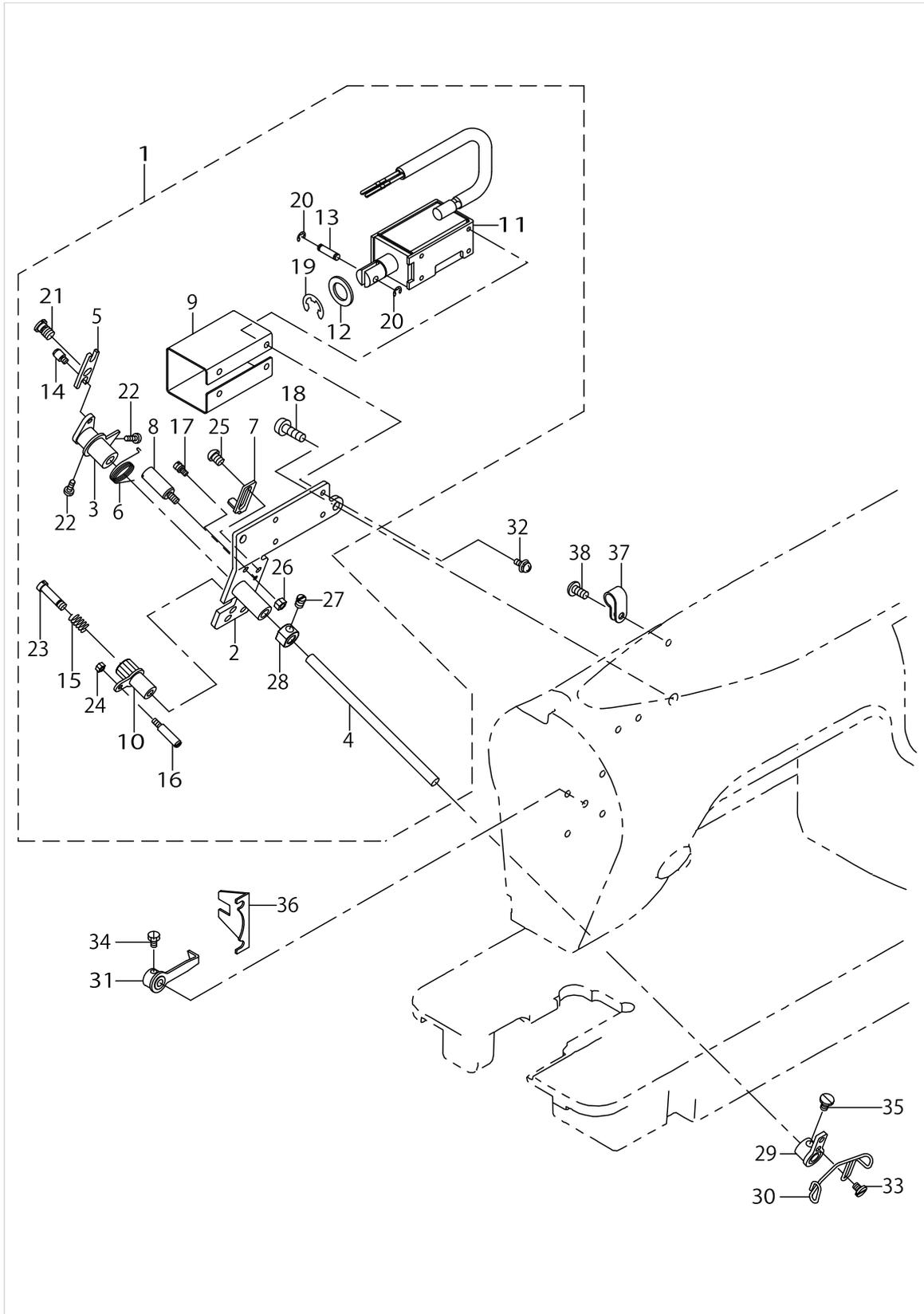
THREAD TRIMMER MECHANISM COMPONENTS



THREAD TRIMMER MECHANISM COMPONENTS

No.	Supply Code	Parts No.	Replacement	Parts name	Remarks	Choice	Step	Level	Cons	Qty	Rep. QTY
47		SS2111010TP		SCREW 11/64-40 L=9.5						1	
48		SS6660710TP		SCREW 1/4-40 L=7						2	
49		CS095101BSH		THRUST COLLAR A-SM. D=9.53 W=10						1	
50		HK00443002A		HOUSING 2P						1	
51		22552764		SOLENOID ASM.						1	
52		22552806		SOLENOID FITTING BASE				*		1	
53		22552905		THREAD RELEASE PUSH PLATE				*		1	
54	R	22552756	22552764	THREAD RELEASE SOLENOID ASM.				*		1	1.00
55		NM6030001SC		NUT M3				*		2	
56		NM6040001SN		NUT M4X0.7				*		1	
57		22501704		GASKET				*		1	
58		13705603		FRAME SIDE COVER GASKET				*		2	
59		RE0400000K0		E-RING 4						1	
60		SS4110515SP		SCREW 11/64-40 L=5						1	
61		HK034610140		HOUSING 14P						1	
62		D2467555B00		RUBBER PLUG						2	
63		16194300		SPRING						1	
64		PS0300182KF		SPRING PIN 3X18						1	
65		22558506		THREAD CUTTING CAM B						1	
66		22555551		FORK KNIFE ASM.						1	
67		22556906		FIXED PLATE						1	
68		22557003		CORD PRESSER						1	
69		D2107555B00		WIPER LINK SHAFT, A						1	
70	R	11040854	22948558	KNIFE DRIVING ARM ASM.						1	1.00
71	R	11041308	22949002	ROLLER ARM BRACKET						1	1.00
72	R	11041407	22949101	ROLLER FULCRUM SHAFT						1	1.00
73		SS4120615SP		SCREW 3/16-28 L=6						4	

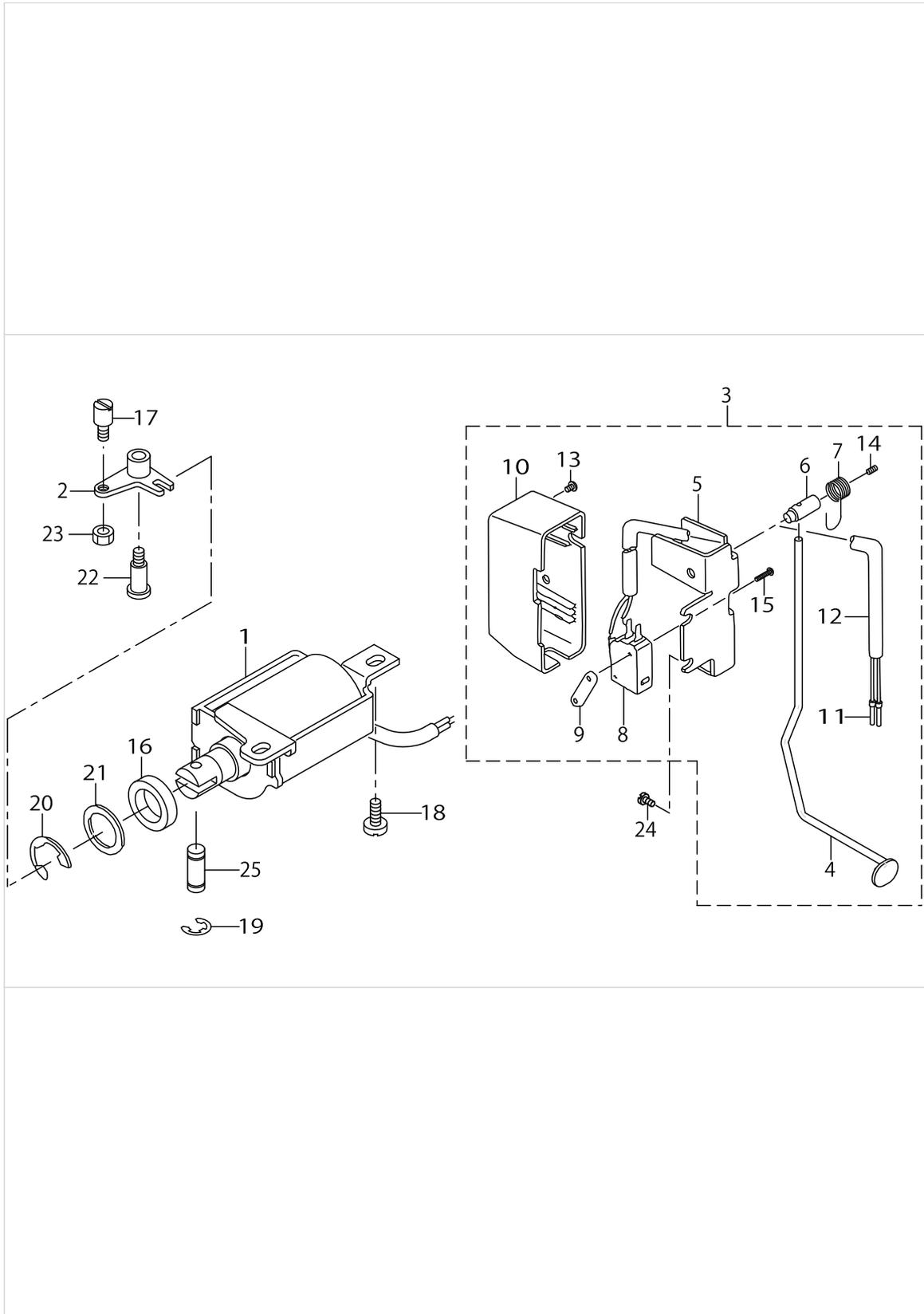
UPPER THREAD FEEDER COMPONENTS



UPPER THREAD FEEDER COMPONENTS

No.	Supply Code	Parts No.	Replacement	Parts name	Remarks	Choice	Step	Level	Cons	Qty	Rep. QTY
1		22564157		THREAD FEEDER ASM.						1	
2		22564256		FITTING BASE COMPL.				*		1	
3		22564454		FEED LEVER COMPL.				*		1	
4		22564702		FEED LEVER SHAFT				*		1	
5		22564801		LINK				*		1	
6		22565204		FEED LEVER SPRING				*		1	
7		22565303		STOPPER				*		1	
8	R	22565402	40116710	SHAFT				*		1	1.00
9		22565501		SOLENOID COVER				*		1	
10		22565659		PLATE				*		1	
11		22565857		SOLENOID COMPL.				*		1	
12		11234408		SOLENOID RUBBER				*		1	
13		11234507		PLUNGER CONNECTING PIN				*		1	
14		B2560372000		BUTTON CLAMP STOP PIN				*		1	
15		B2626372000		SPRING				*		1	
16	R	B2034372000	26020503	THREAD RELEASING SCREW STUD				*		1	1.00
17	R	B2024771000	40009196	SUSPENSION SCREW				*		1	1.00
18		SS4120915SP		SCREW 3/16-28 L=9				*		2	
19		RE0900000K0		E-RING 9				*		1	
20		RE0300000K0		E-RING 3				*		2	
21		SD0640241SP		HINGE SCREW D= 6.35 H= 2.4				*		1	
22		SS7110540SP		SCREW 11/64-40 L=5				*		2	
23		SD0481451SP		HINGE SCREW D= 4.80 H=14.5				*		1	
24		NS6080340SP		NUT 1/8-44				*		1	
25		SS4120615SP		SCREW 3/16-28 L=6				*		1	
26		NS6120310SP		NUT 3/16-28				*		1	
27		SS7110540SP		SCREW 11/64-40 L=5				*		2	
28		CS0640863SH		THRUST COLLAR D=6.35 W=8				*		1	
29		22564959		FITTING PLATE COMPL.						1	
30		22565105		WIRE						1	
31		22566152		STOPPER PLATE COMPL.						1	
32		SL4030881SF		SCREW M3 L=8						4	
33		SS6090540SP		SCREW 9/64-40 L=5.0						2	
34		SS9090610TP		SCREW 9/64-40 L=5.5						2	
35		SS9110620TP		SCREW						2	
36		22566301		STOPPER PLATE GUIDE						1	
37		HX00123000A		CABLE CLIP	FOR LZ-22-80N-7-00					1	
38		SS4121015SP		SCREW 3/16-28 L=10	FOR LZ-22-80N-7-00					1	

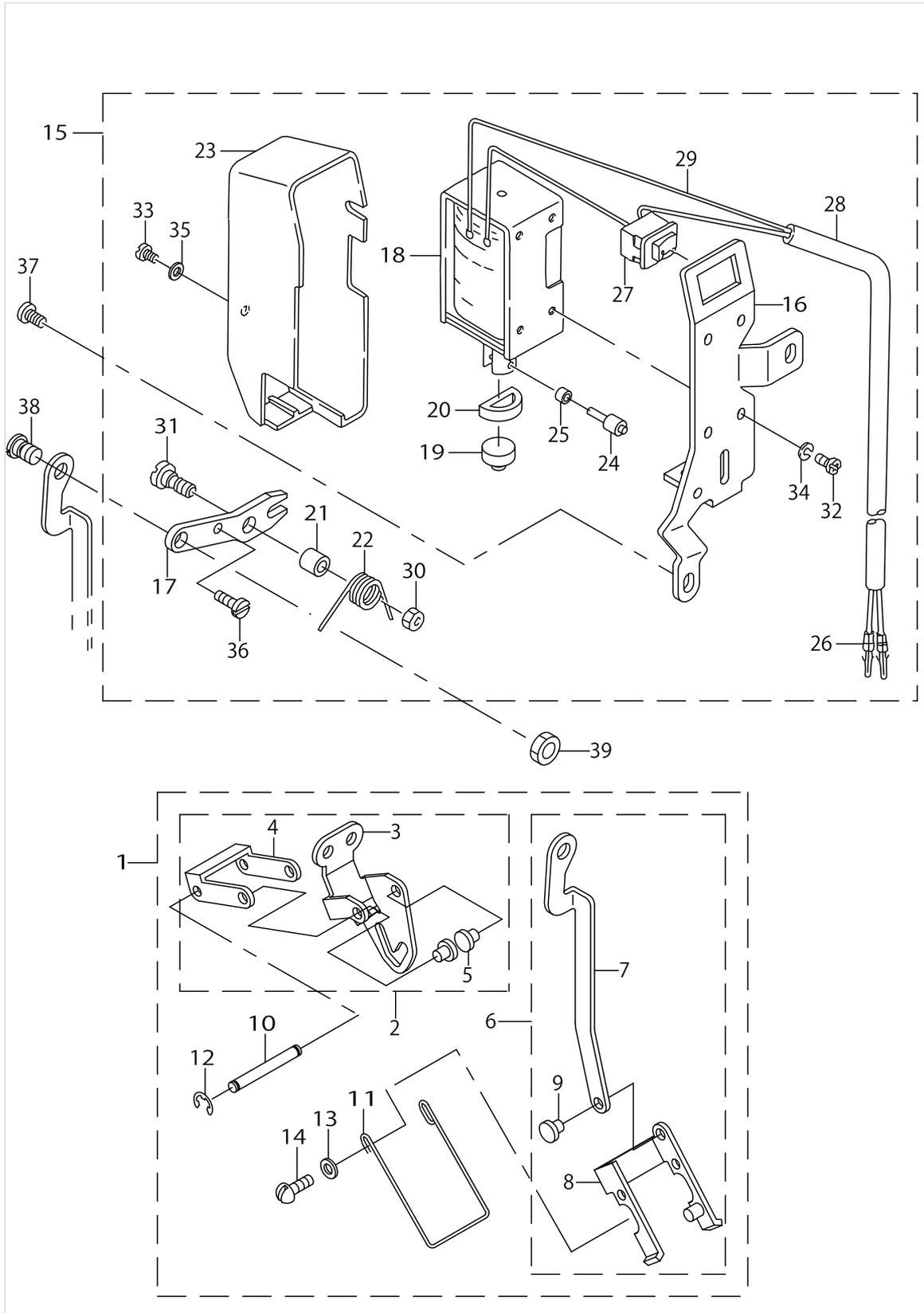
AUTOMATIC REVERSE FEED MECHANISM COMPONENTS



AUTOMATIC REVERSE FEED MECHANISM COMPONENTS

No.	Supply Code	Parts No.	Replacement	Parts name	Remarks	Choice	Step	Level	Cons	Qty	Rep. QTY
1	R	22559058	40108060	MAGNET ASM.						1	1.00
2		22544159		REVERSE FEED MAGNET LINK						1	
3		22559850		REVERSE FEED SWITCH						1	
4		22559900		REVERSE FEED SWITCH LEVER				*		1	
5	R	11102001	22954101	REVERSE FEED SWITCH BASE				*		1	1.00
6	R	11102100	22954200	REVERSE FEED SWITCH SHAFT				*		1	1.00
7	R	11102209	22954309	REVERSE FEED SWITCH SPRING				*		1	1.00
8		HA001900000		MICROSWITCH				*		1	
9	R	11102308	22954408	MICRO SWITCH PLATE				*		1	1.00
10	R	11072501	22954606	REVERSE FEED SWITCH COVER				*		1	1.00
11		HK03464000B		PIN CONTACT				*		2	
12		HW500070000		2-CORE CABTYRE CORD				*		1.5	
13		SM4040655SP		SCREW M4 L=6				*		1	
14		SM8040802TP		SCREW M4X8				*		1	
15		SM4031501SC		SCREW M3 L=15				*		2	
16		D2468555B00		RUBBER PLUNGER						1	
17		B1213372000		SCREW						1	
18		SS4150915SP		SCREW 15/64-28 L=9						2	
19		RE0400000K0		E-RING 4						2	
20		RE1200000K0		E-RING 12						1	
21		WP1602616SZ		WASHER 16X24X2.6						1	
22		SD0791503SP		HINGE SCREW D=7.94 H=15						1	
23		NS6150310SP		NUT 15/64-28						1	
24		SS4120615SP		SCREW 3/16-28 L=6						2	
25	R	11101003	22953509	PLUNGER ARM PIN						1	1.00

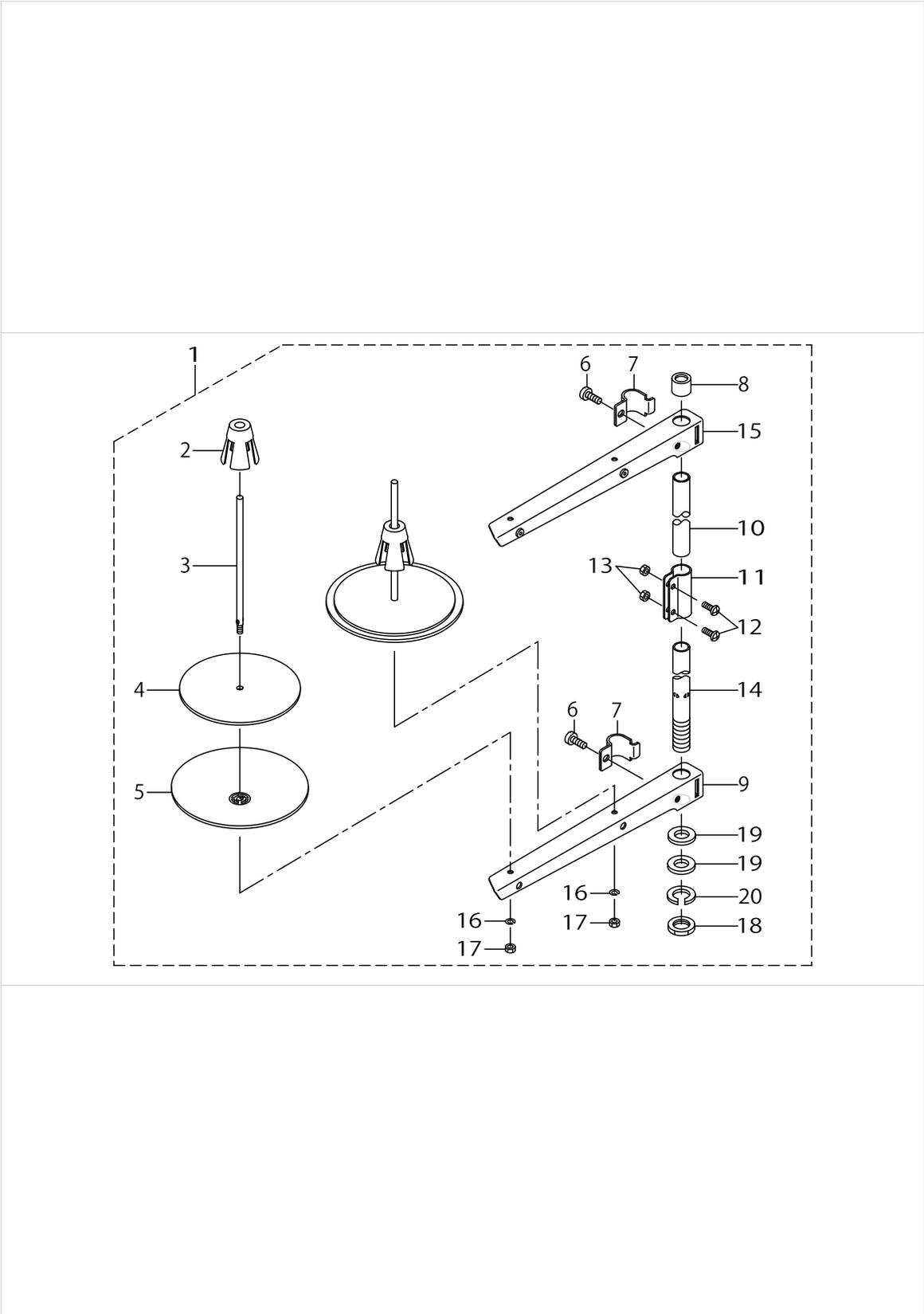
WIPER MECHANISM COMPONENTS



WIPER MECHANISM COMPONENTS

No.	Supply Code	Parts No.	Replacement	Parts name	Remarks	Choice	Step	Level	Cons	Qty	Rep. QTY
1		22561757		WIPER ASM.						1	
2		22561856		WIPER BASE ASM.				*		1	
3	R	22561807	22561856	WIPER BASE				*		1	1.00
4	R	10208601	10208551	WIPER LINK 1				*		1	1.00
5		D2107490D00		PIN				*		2	
6		22561955		WIPER LINK COMPL.				*		1	
7	R	22561906	22561955	WIPER LINK				*		1	1.00
8	R	10208858	10208866	WIPER LINK ASM. 2				*		1	1.00
9		D2107490D00		PIN				*		1	
10		10208700		WIPER LINK SHAFT				*		1	
11		22561708		WIPER				*		1	
12		RE0320000K0		E-RING 3.2				*		2	
13		WP0371016SD		WASHER 3.7X8X1				*		2	
14		SS3090520SP		SCREW 9/64-40 L=4.5				*		2	
15		22562052		SOLENOID ASM.						1	
16		22562102		WIPER BASE				*		1	
17		22562201		WIPER LINK				*		1	
18	R	11110301	40106936	WIPER SOLENOID				*		1	1.00
19		22955900		WIPER RUBBER A				*		1	
20		22956007		WIPER RUBBER B				*		1	
21		22956205		WIPER HINGE SCREW COLLAR				*		1	
22	R	11110806	22956304	WIPER SPRING				*		1	1.00
23		22955504		WIPER COVER				*		1	
24		22957104		WIPER SOLENOID SHAFT				*		1	
25		22957203		WIPER LINK COLLAR				*		1	
26		HK03464000B		PIN CONTACT				*		2	
27		HA000590000		POWER SWITCH				*		1	
28		HW500070000		2-CORE CABTYRE CORD				*		1.5	
29		HW200390000		ELECTRIC WIRE				*		0.1	
30		NS6110310SP		NUT 11/64-40				*		1	
31		SD0650321TP		HINGE SCREW D=6.5 H=3.2				*		1	
32		SM4030601SN		SCREW M3 X 6				*		4	
33		SM4030601SN		SCREW M3 X 6				*		1	
34		WS0310002KN		SPRING WASHER M3				*		4	
35		WP0320501SC		WASHER M3				*		1	
36		SS6111040SP		SCREW 11/64-40 L= 9.5				*		1	
37		SS4120615SP		SCREW 3/16-28 L=6						2	
38		SD0600271SP		HINGE SCREW D= 6 H= 2.7						1	
39		NS6110310SP		NUT 11/64-40						1	

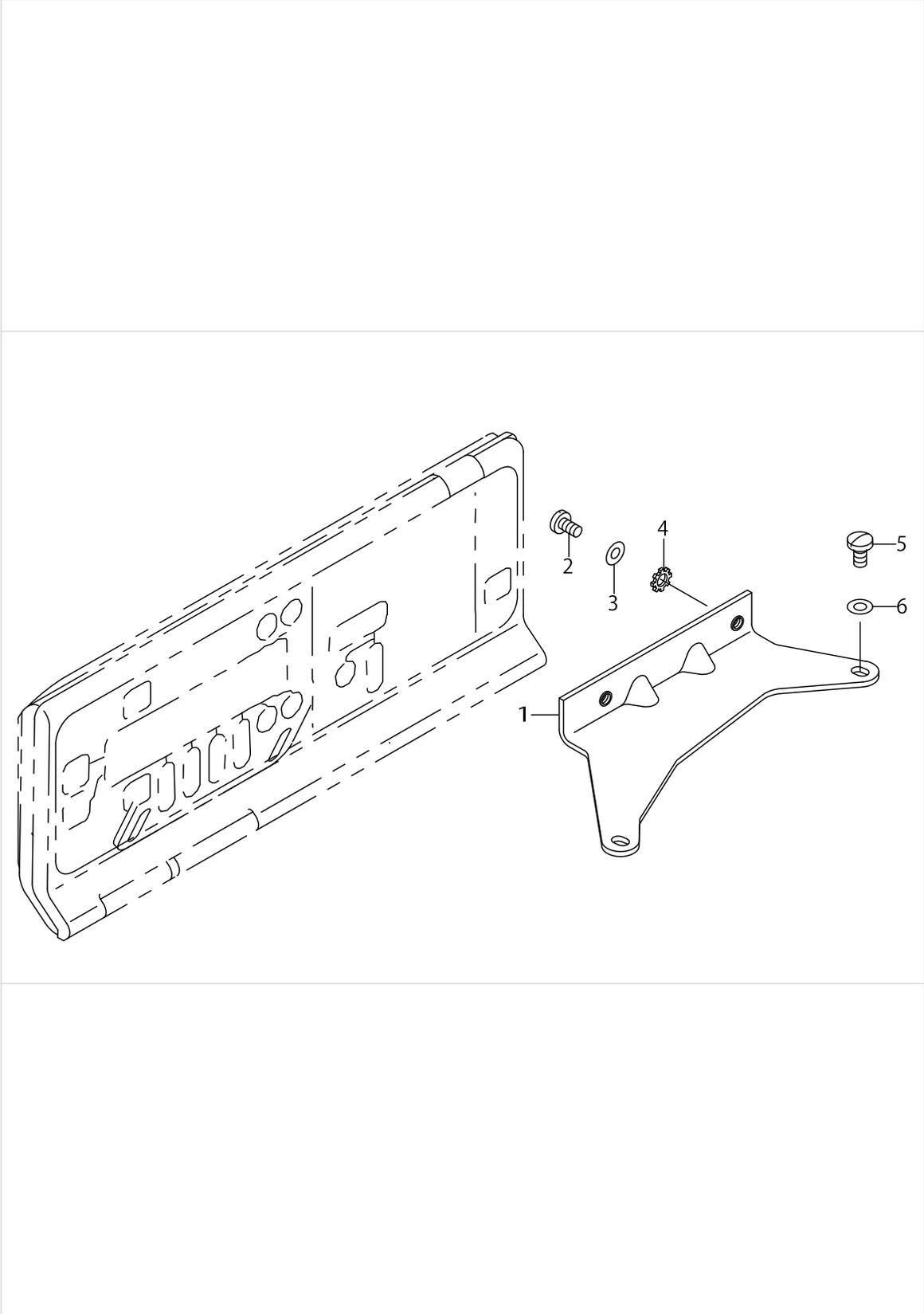
THREAD STAND COMPONENTS



THREAD STAND COMPONENTS

No.	Supply Code	Parts No.	Replacement	Parts name	Remarks	Choice	Step	Level	Cons	Qty	Rep. QTY
1	R	22930358	40096354	THREAD STAND ASM.						1	1.00
2	R	22931109	40085791	SPOOL RETAINER				*		2	1.00
3	R	22931000	40085790	SPOOL PIN				*		2	1.00
4		22930903		SPOOL REST CUSHION				*		2	
5		22930804		SPOOL REST				*		2	
6		SM6061610SC		SCREW M6 L=16				*		2	
7	R	22930705	40096354	THREAD GUIDE ARM JOINT				*		2	1.00
8		22931406		SPOOL REST ROD RUBBER CAP				*		1	
9	R	22930507	40096354	SPOOL REST ARM				*		1	1.00
10	R	22930408	40096354	SPOOL REST ROD, UPPER				*		1	1.00
11	R	22931307	40096354	SPOOL REST ROD JOINT				*		1	1.00
12		SM4051405SE		SCREW M5 L=14				*		2	
13		NM6050001SE		NUT M5				*		2	
14	R	22930309	40096354	SPOOL REST ROD, LOWER				*		1	1.00
15	R	22930556	40096354	THREAD STANDING ARM ASM.				*		1	1.00
16		WS0510002KN		SPRING WASHER				*		2	
17		NM6050001SE		NUT M5				*		2	
18		NM6160511SE		NUT M16X1.5				*		1	
19		WP1612616SE		WASHER 16X30X2.6				*		2	
20	R	WS1643202KR	WP1612616SE	SPRING WASHER		A		*		1	2.00
20	R	WS1643202KR	40085796	SPRING WASHER		A		*		1	2.00

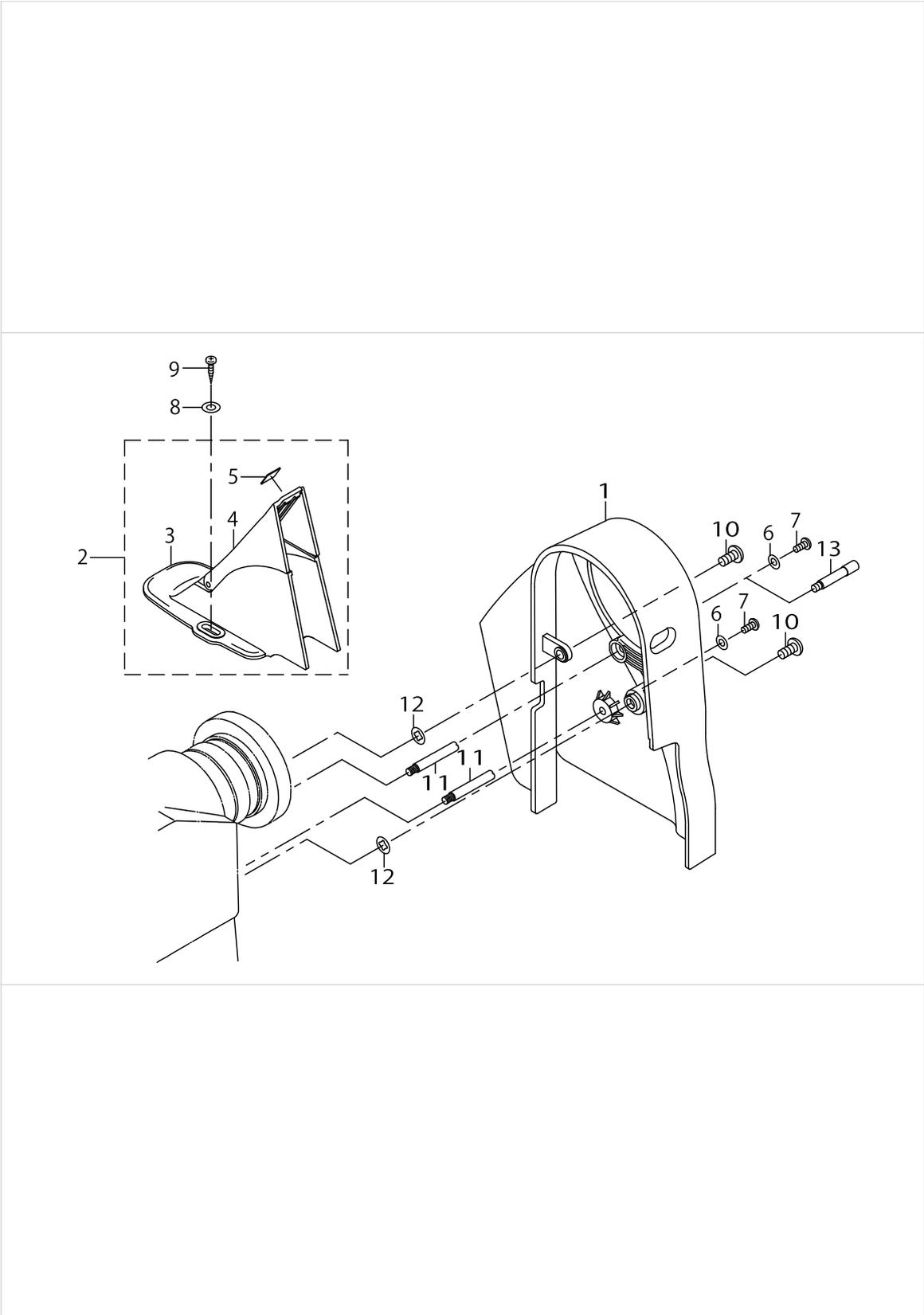
CP PANEL COMPONENTS



CP PANEL COMPONENTS

No.	Supply Code	Parts No.	Replacement	Parts name	Remarks	Choice	Step	Level	Cons	Qty	Rep. QTY
1		22550602		BRACKET	FOR LZ-22-80N-7,LZ--2281N-7, L-Z-2286N-7- ,LZ-2288N-7					1	
2		SS7110840SP		SCREW 11/64-40 L=7.8	FOR LZ-22-80N-7,LZ--2281N-7, L-Z-2286N-7- ,LZ-2288N-7					2	
3		WP0450801SD		WASHER 4.5X10X0.8	PARTS PACKED TOGETHER WITH THE CP PANEL					2	
4		WT0530002KS		TOOTHED WASHER D=5.3	PARTS PACKED TOGETHER WITH THE CP PANEL					2	
5		SS7120910TP		SCREW 3/16-28 L=9	FOR LZ-22-80N-7,LZ--2281N-7, L-Z-2286N-7- ,LZ-2288N-7					2	
6		WP0531001SC		WASHER	FOR LZ-22-80N-7,LZ--2281N-7, L-Z-2286N-7- ,LZ-2288N-7					2	

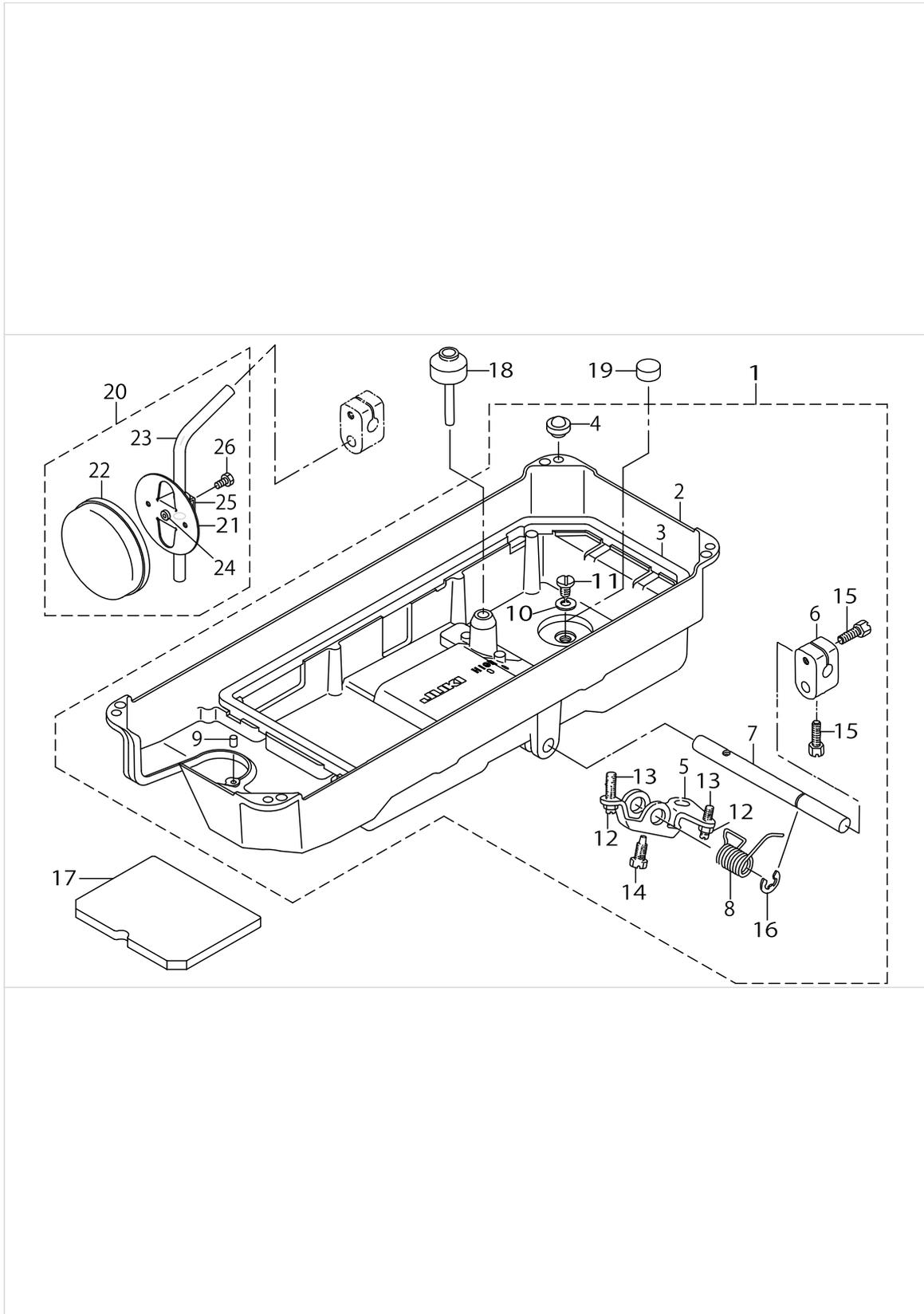
BELT COVER COMPONENTS



BELT COVER COMPONENTS

No.	Supply Code	Parts No.	Replacement	Parts name	Remarks	Choice	Step	Level	Cons	Qty	Rep. QTY
1	R	26319400	40038990	BELT COVER A						1	1.00
2	R	26319558	40038990	BELT COVER B (COMPL.)						1	1.00
3	R	26319509	40038990	BELT COVER B				*		1	1.00
4	R	26319608	40038990	BELT COVER C				*		1	1.00
5	R	26319806	40038990	VIBROISOLATING RUBBER				*		1	1.00
6		WP0450801SD		WASHER 4.5X10X0.8						2	
7		SS4110915SP		SCREW 11/64-40 L=9						2	
8		WP0450826SC		WASHER 4.5X10X0.8						2	
9		SK3412001SE		WOOD SCREW D=4.1 L=20						2	
10		SS4151215SP		SCREW 15/64-28 L=12						2	
11	R	10039105	40101337	BELT COVER SUPPORT STUD						2	1.00
12		22535603		WASHER						2	
13		22535454		SYNCHRONIZER SUPPORT ASM.	SPECIAL ORDER PARTS					1	

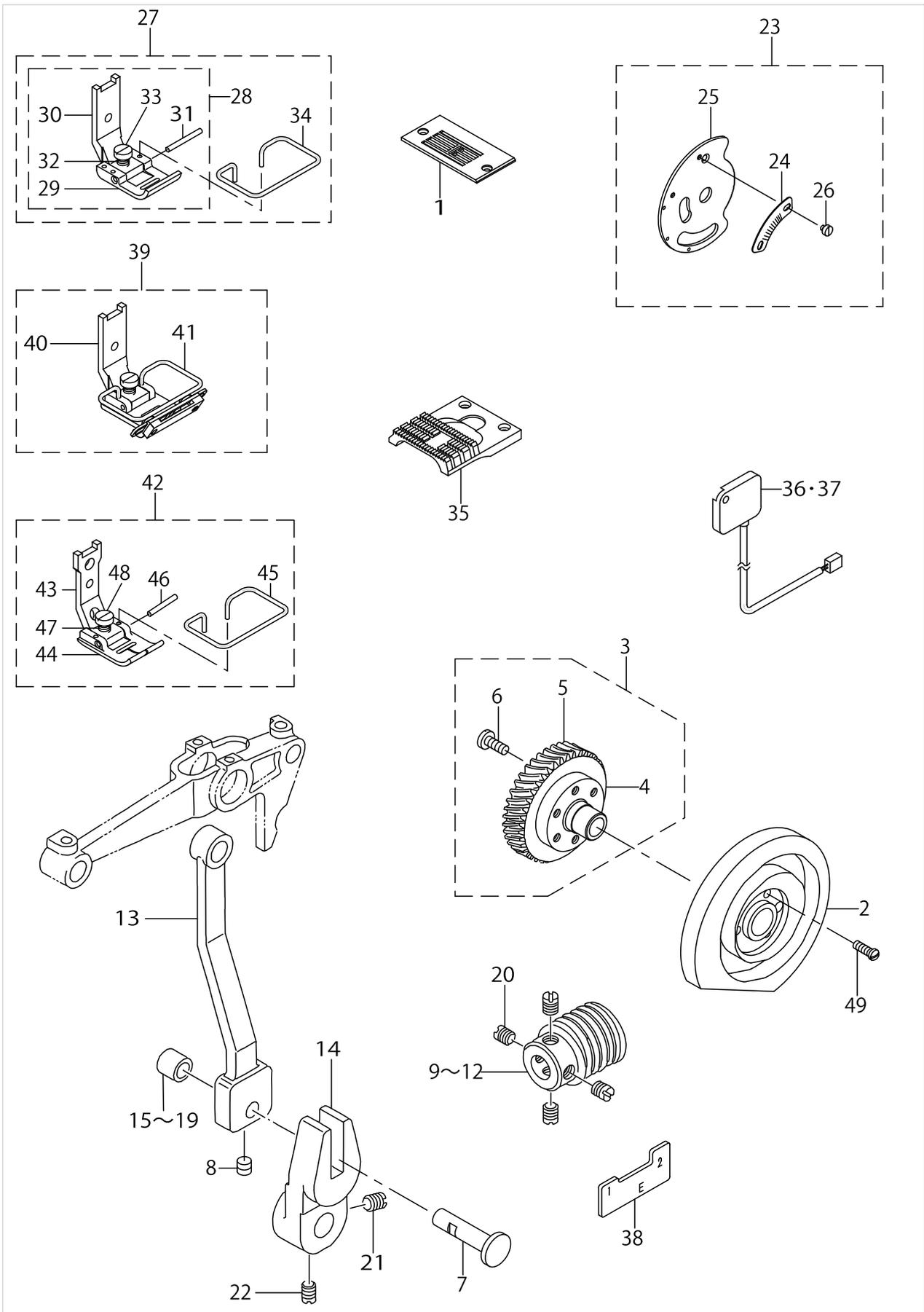
OIL RESERVOIR & KNEE LIFTER COMPONENTS



OIL RESERVOIR & KNEE LIFTER COMPONENTS

No.	Supply Code	Parts No.	Replacement	Parts name	Remarks	Choice	Step	Level	Cons	Qty	Rep. QTY
1		23502651		OIL RESERVOIR ASM.						1	
2		22534010		OIL RESERVOIR				*		1	
3		10038107		OIL RESERVOIR GASKET				*		1	
4		11047107		RUBBER CUSHION				*		4	
5	R	11024015	22932156	CONNECTING ROT, VERTICAL				*		1	1.00
6	R	11024510	22932453	BRACKET				*		1	1.00
7	R	11024205	22932305	KNEE PRESS ROD				*		1	1.00
8	R	11024106	22932206	SPRING				*		1	1.00
9		B1115850000		RUBBER PLUG				*		1	
10		RO098240100		RUBBER RING				*		1	
11		SM0081001SD		SCREW				*		1	
12		NM6060001SE		NUT M6				*		2	
13		SM8063012TR		SCREW M6 L=30				*		2	
14		SM9061853SR		SCREW M6 L=17.5				*		1	
15	R	SM9062053SR	22934707	SCREW M6 L=20				*		2	1.00
16		RE1000000K0		E-RING 10				*		1	
17		22534101		OIL RESERVOIR BASE						1	
18		B3421555000		KNEE PRESS LIFTER ROD						1	
19		B8228125000		OIL RESERVOIR MAGNET						1	
20		22934251		KNEE PAD PLATE ASM.						1	
21		22934202		KNEE PAD PLATE				*		1	
22		22934509		KNEE PAD PLATE COVER				*		1	
23		22934608		KNEE PAD UPRIGHT SHAFT				*		1	
24		22934400		KNEE PAD PLATE RUBBER				*		1	
25		22934301		KNEE PAD PLATE SUPPORT				*		1	
26		SM9061203SE		SCREW M6 L=12				*		1	

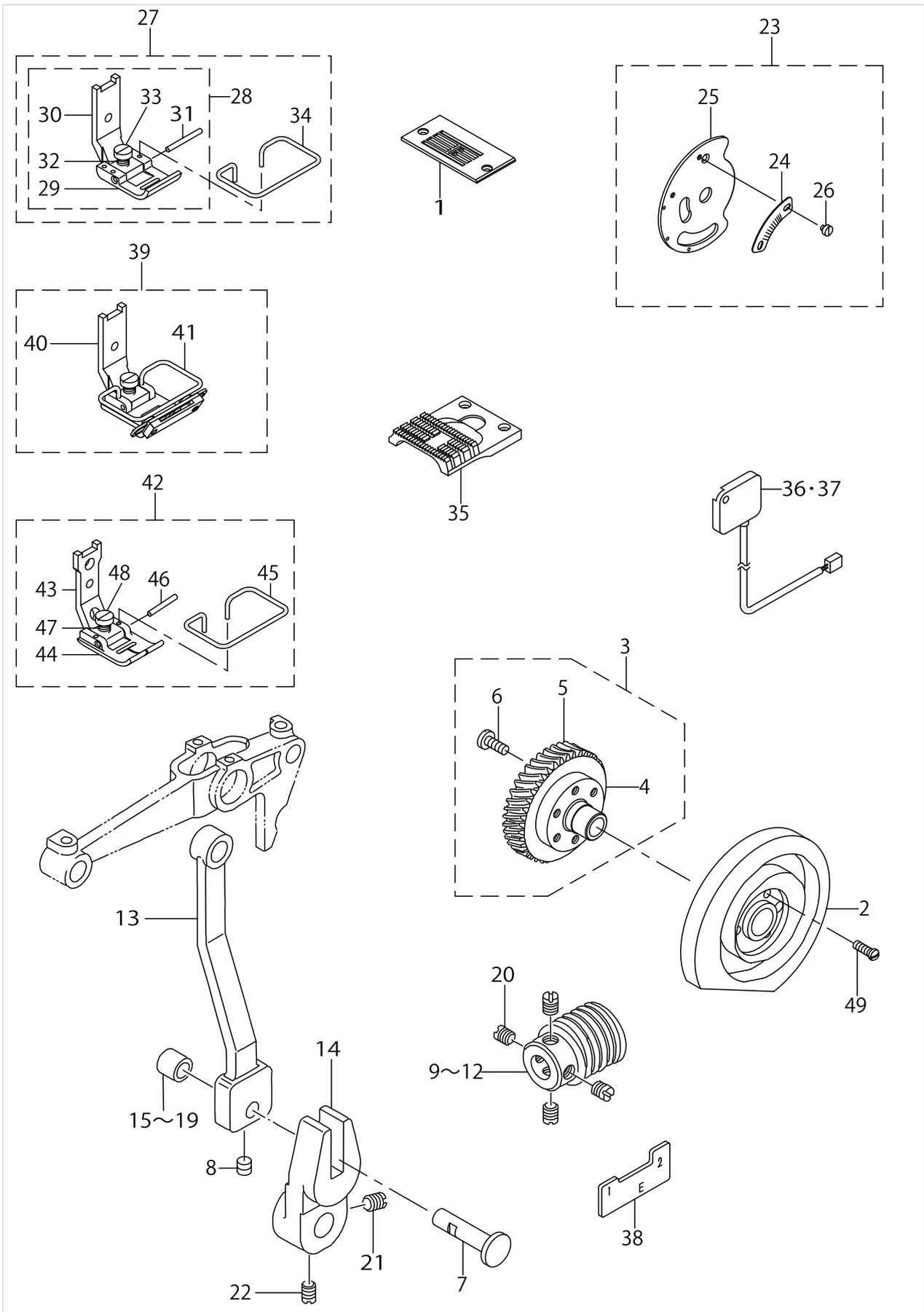
EXCLUSIVE PARTS FOR LZ-2286N



EXCLUSIVE PARTS FOR LZ-2286N

No.	Supply Code	Parts No.	Replacement	Parts name	Remarks	Choice	Step	Level	Cons	Qty	Rep. QTY
1		22582407		NEEDLE PLATE						1	
2		22585400		NEEDLE VIBRATING CAM A						1	
3		22585855		WORM WHEEL COMPL.						1	
4		22585806		WORM WHEEL HUB				*		1	
5	R	10043412	10043461	WORM WHEEL				*		1	1.00
6	R	SS7111120SP	SS7111120TP	SCREW 11/64-40 L=10.5				*		3	1.00
7		22585707		SHAFT						1	
8		SS8110422TP		SCREW 11/64-40 L=4						1	
9		22527006		WORM A	SELECTIVE PARTS					1	
10		22527105		WORM B	SELECTIVE PARTS					1	
11		22527204		WORM C	SELECTIVE PARTS					1	
12		22527303		WORM D	SELECTIVE PARTS					1	
13		10044014		NEEDLE VIBRATING ROD						1	
14		10044105		ROD GUIDE						1	
15		B2502280B0A		FEED CAM ROLLER	SELECTIVE PARTS					1	
16		B2502280B0B		FEED CAM ROLLER	SELECTIVE PARTS					1	
17		B2502280B0C		FEED CAM ROLLER	SELECTIVE PARTS					1	
18		B2502280B0D		FEED CAM ROLLER	SELECTIVE PARTS					1	
19		B2502280B0E		FEED CAM ROLLER	SELECTIVE PARTS					1	
20		SS8660610TP		SCREW 1/4-40 L=6						4	
21		SS8660810TP		SCREW 1/4-40 L=8						1	
22		SS8660970TP		SCREW 1/4-40 L= 8.5						1	
23		22586275		SWING WIDE GRADUATION ASM.						1	
24		22586226		SWING WIDE GRADUATION				*		1	
25		26306951		SCALE MOUNTING BASE COMPL.				*		1	
26		SS6080320SP		SCREW 1/8-44 L= 2.5				*		2	
27		22580864		PRESSER ASM.	VARIOUS NOS.FOR DESTINATIONS					1	
28		10055069		PRESSER A ASM.	VARIOUS NOS.FOR DESTINATIONS			*		1	
29		10055002		PRESSER LOWER A				*		1	
30		10021004		PRESSER UPPER				*		1	
31	R	10056109	22580864	PRESSER PIN A		A	LZ-2280/2-280N/2290/2290A	*		1	1.00
31	R	10056109	10055051	PRESSER PIN A		B	LZ-2280N	*		1	1.00
31	R	10056109	40003542	PRESSER PIN A		C	LZ-2290A	*		1	1.00
32		B1525582000		SPRING				*		1	
33		SS6090810SP		SCREW 9/64-40 L= 7.5				*		1	
34		22580302		SAFETY COVER				*		1	
35		22581508		FEED DOG	VARIOUS NOS.FOR DESTINATIONS					1	
36		M6094350AAL		RESISTANCE PACK AL ASM.	FOR LZ-2286N-7					1	
37		M6094350AAF		RESISTANCE PACK AF ASM.	VARIOUS NOS.FOR DESTINATIONS					1	
38		22536502		TIMING GAUGE E						1	
39		MAB109000B0		TAPING FOOT	FOR LZ-2286NT					1	
40		MAB109000A0		TAPING PRESSER ASM.				*		1	

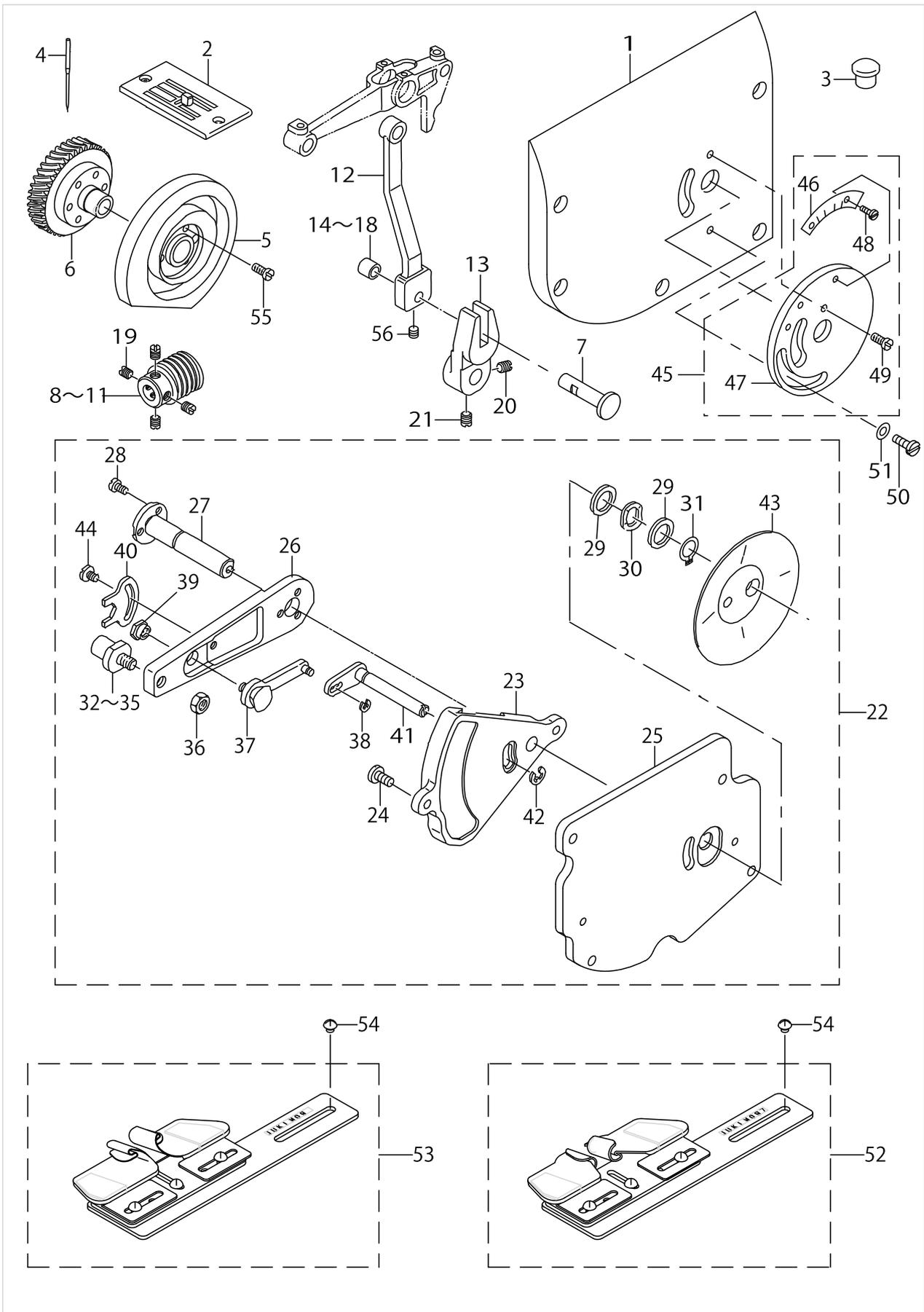
EXCLUSIVE PARTS FOR LZ-2286N



EXCLUSIVE PARTS FOR LZ-2286N

No.	Supply Code	Parts No.	Replacement	Parts name	Remarks	Choice	Step	Level	Cons	Qty	Rep. QTY	
41		22545404		SAFETY COVER	VARIOUS NOS.FOR DESTINATIONS			*		1		
42		22584965		PRESSER FOOT ASM.							1	
43	R	22545206	22547558	PRESSER FOOT (UPPER)					*		1	1.00
44	R	22584908	22584965	PRESSER FOOT (LOWER)					*		1	1.00
45		22545404		SAFETY COVER					*		1	
46		10021103		PRESSER PIN					*		1	
47		B1525582000		SPRING					*		1	
48		SS6090810SP		SCREW9/64-40 L=7.5					*		1	
49	R	SS7111410SP	SS7111410TP	SCREW11/64-40L=14							3	1.00

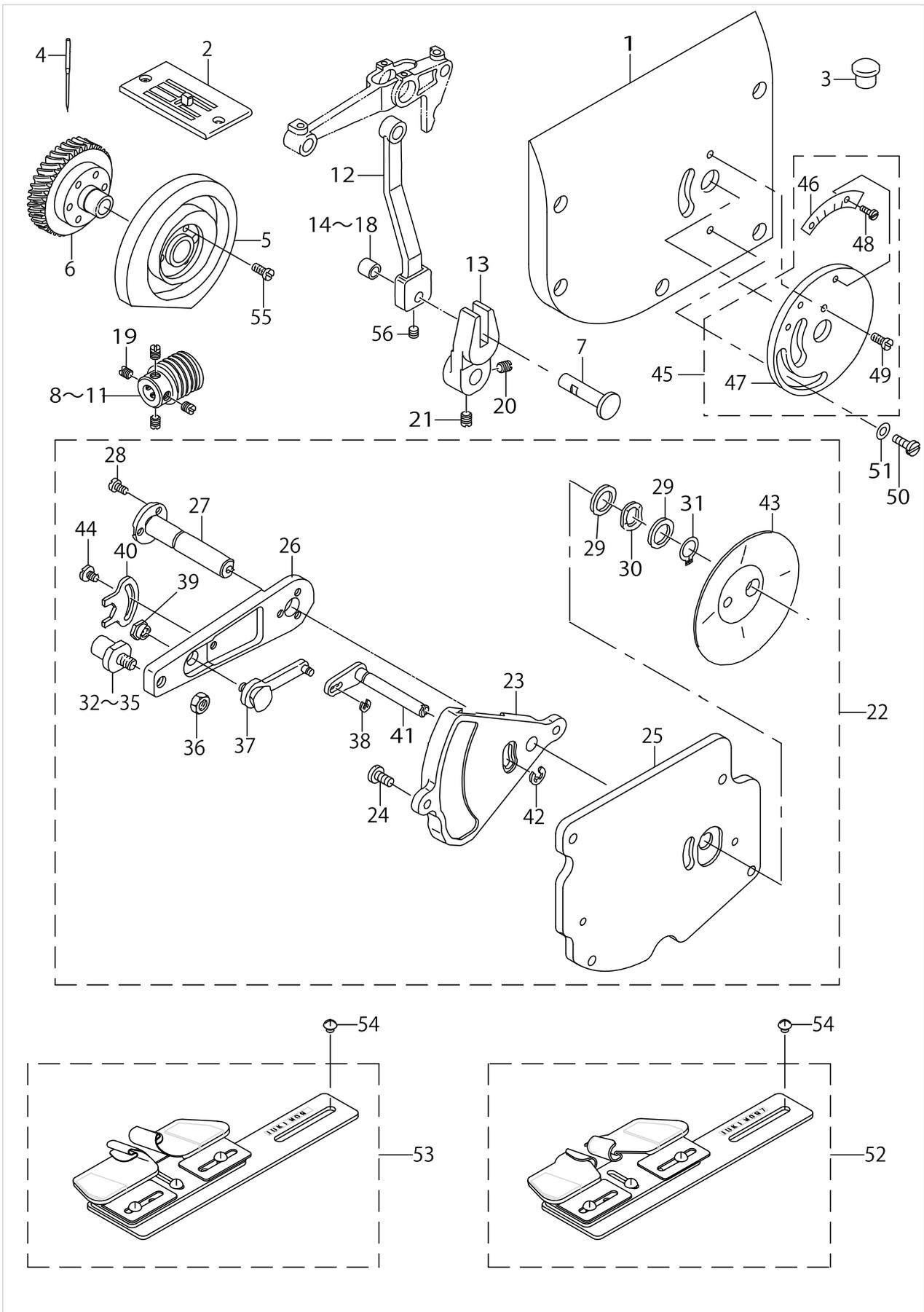
EXCLUSIVE PARTS FOR LZ-2285N (1)



EXCLUSIVE PARTS FOR LZ-2285N (1)

No.	Supply Code	Parts No.	Replacement	Parts name	Remarks	Choice	Step	Level	Cons	Qty	Rep. QTY
1		22592505		ARM SIDE COVER						1	
2		10061554		THROAT PLATE ASM.						1	
3		TA1871602R0		RUBBER PLUG						1	
4		MC1923F0800		NEEDLE 438SUK 80						1	
5		22585509		NEEDLE VIBRATING CAM						1	
6		22585855		WORM WHEEL COMPL.						1	
7		22585707		SHAFT						1	
8		22527006		WORM	SELECTIVE PARTS					1	
9		22527105		WORM	SELECTIVE PARTS					1	
10		22527204		WORM	SELECTIVE PARTS					1	
11		22527303		WORM	SELECTIVE PARTS					1	
12		10044014		NEEDLE VIBRATING ROD						1	
13		10044105		ROD GUIDE						1	
14		B2502280B0A		FEED CAM ROLLER	SELECTIVE PARTS					1	
15		B2502280B0B		FEED CAM ROLLER	SELECTIVE PARTS					1	
16		B2502280B0C		FEED CAM ROLLER	SELECTIVE PARTS					1	
17		B2502280B0D		FEED CAM ROLLER	SELECTIVE PARTS					1	
18		B2502280B0E		FEED CAM ROLLER	SELECTIVE PARTS					1	
19		SS8660610TP		SCREW 1/4-40 L=6						4	
20		SS8660810TP		SCREW 1/4-40 L=8						1	
21		SS8660970TP		SCREW 1/4-40 L= 8.5						1	
22		22592653		BASE ASM.						1	
23		10054112		ARM SETTING BASE				*		1	
24		SS7110910TP		SCREW 11/64-40 L= 8.5				*		2	
25		22592604		MOUNTING PLATE				*		1	
26		26301507		ARM				*		1	
27		26307306		SHAFT				*		1	
28	R	SS6090620SP	SS6090620TP	SCREW 9/64-40 L=6				*		3	1.00
29		WP1020616SD		WASHER				*		2	
30		WZ1052010KP		WAVED WASHER				*		1	
31		RC0100001KP		SNAP RING M10				*		1	
32		10016210		SHAFT	SELECTIVE PARTS			*		1	
33		10016319		SHAFT	SELECTIVE PARTS			*		1	
34		10016418		SHAFT	SELECTIVE PARTS			*		1	
35		10016517		SHAFT	SELECTIVE PARTS			*		1	
36		NS6150310SP		NUT 15/64-28				*		1	
37		10017168		STOPPER ASM.				*		1	
38		RE0200000K0		E-RING				*		1	
39		10018000		NUT				*		1	
40		10018109		NUT STOPPER				*		1	
41		10015360		LEVER ASM.				*		1	
42		RE0400000K0		E-RING 4				*		1	
43		10017606		OIL SHIELD				*		1	
44		SS6090520SP		SCREW 9/64-40 L= 5.0				*		1	
45		22590061		SCALE ASM.				*		1	
46		22586200		SCALE				*		1	

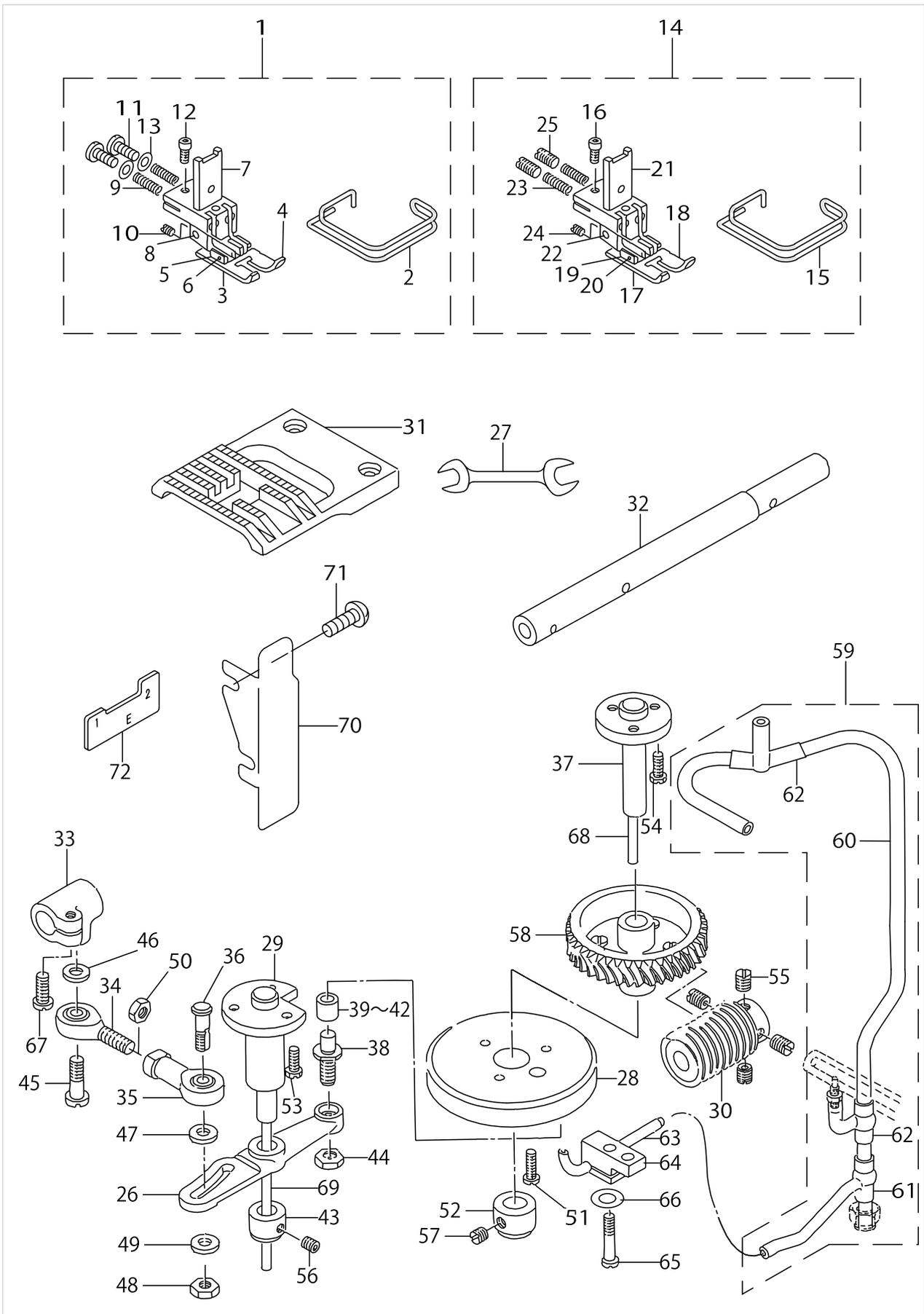
EXCLUSIVE PARTS FOR LZ-2285N (1)



EXCLUSIVE PARTS FOR LZ-2285N (1)

No.	Supply Code	Parts No.	Replacement	Parts name	Remarks	Choice	Step	Level	Cons	Qty	Rep. QTY
47		22592802		SCALE MOUNTING BASE				*		1	
48		SS6080320SP		SCREW 1/8-44 L= 2.5				*		2	
49	R	SS6111010SP	SS6111010TP	SCREW 11/64-40 L= 9.5				*		1	1.00
50		SS6110510SP		SCREW 11/64-40 L=5						1	
51		WP0480856SP		WASHER 4.8X8.4X0.8						1	
52		MAM097000A0		FAGOTTING FELLER	SPECIAL ORDER PARTS					1	
53		MAM09700BA0		FAGOTING FOLDER ASM.						1	
54		SS5110710SP		SCREW 11/64-40 L=7						2	
55	R	SS7111410SP	SS7111410TP	SCREW 11/64-40 L=14						3	1.00
56		SS8110422TP		SCREW 11/64-40 L=4						1	

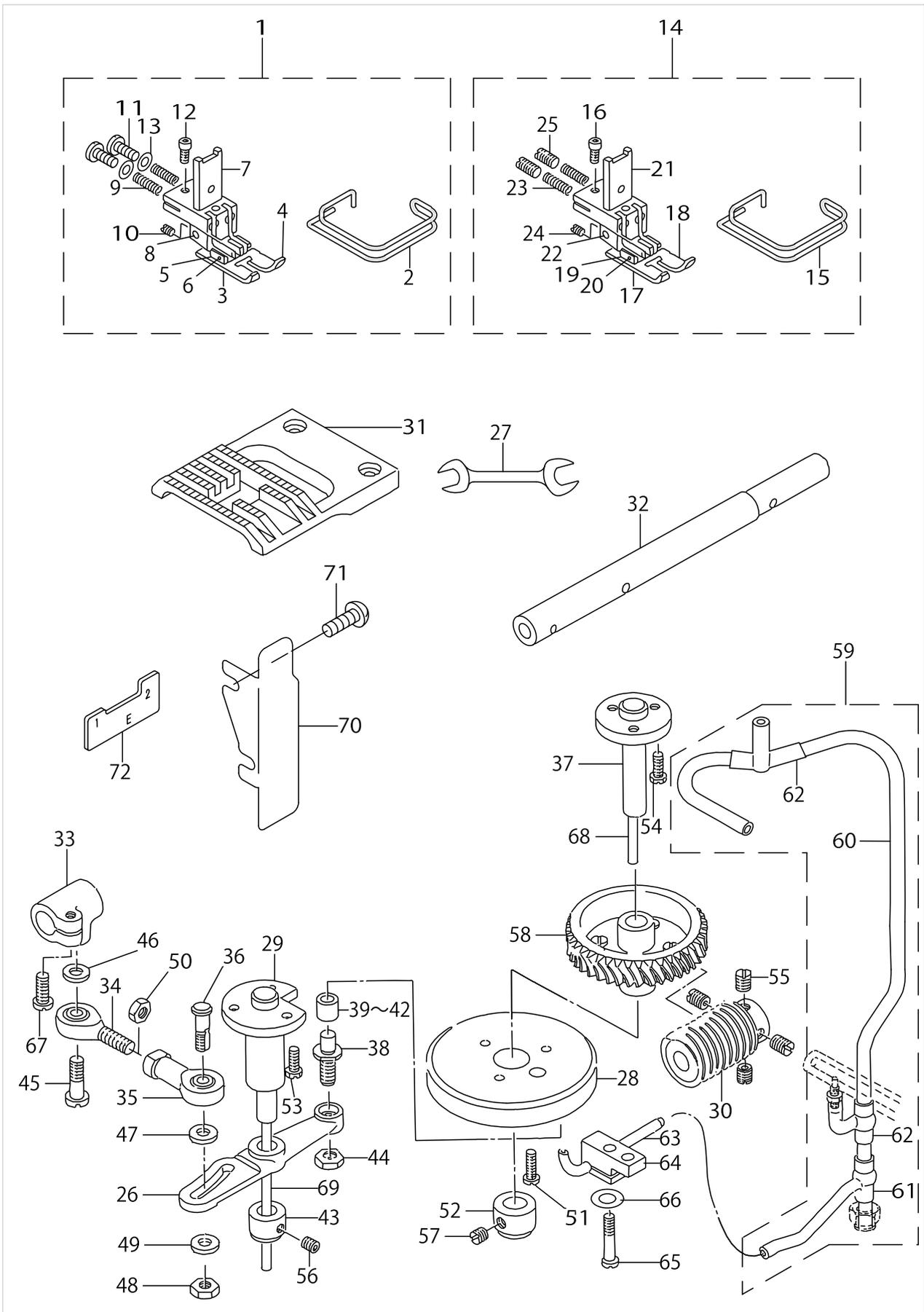
EXCLUSIVE PARTS FOR LZ-2285N (2)



EXCLUSIVE PARTS FOR LZ-2285N (2)

No.	Supply Code	Parts No.	Replacement	Parts name	Remarks	Choice	Step	Level	Cons	Qty	Rep. QTY
1		22591564		PRESSER FOOT ASM.	NO NECESSARY PART ACCORDING TO DESTINATIONS					1	
2		22591101		FINGER GUARD				*		1	
3	R	10062701	10062750	PRESSERFOOT, LEFT				*		1	1.00
4	R	10062800	10062750	PRESSER FOOT, RIGHT				*		1	1.00
5		22591408		PRESSER FOOT ASM.				*		2	
6	R	10063303	10062750	PIN				*		2	1.00
7		10063402		PRESSER FOOT, UPPER				*		1	
8	D	10063501		PIN				*		1	
9		10063600		SPRING				*		2	
10		SS8080410TP		SCREW 1/8-44 L=3.5				*		1	
11		SS7111110TP		SCREW 11/64-40 L=10.5				*		2	
12		SS6580752TP		SCREW 1/8-40 L=7				*		1	
13		WP0220300SC		WASHER				*		2	
14		22591663		PRESSER FOOT ASM.	SPECIAL ORDER PARTS					1	
15		22591101		FINGER GUARD				*		1	
16		SS6580752TP		SCREW 1/8-40 L=7				*		1	
17	R	10062701	10062750	PRESSERFOOT, LEFT				*		1	1.00
18	R	10062800	10062750	PRESSER FOOT, RIGHT				*		1	1.00
19	R	10063204	10062750	PRESSER FOOT ARM				*		2	1.00
20	R	10063303	10062750	PIN				*		2	1.00
21		10063402		PRESSER FOOT, UPPER				*		1	
22	D	10063501		PIN				*		1	
23		10063600		SPRING				*		2	
24		SS8080410TP		SCREW 1/8-44 L=3.5				*		1	
25		SS8111010TP		SCREW 11/64-40 L=9.5				*		2	
26		22590301		LEVER						1	
27		B9113012000		WRENCH (9X10)						1	
28		22590400		FEED CAM						1	
29		22590509		SHAFT						1	
30		10063808		WORM						1	
31		10064004		FEED DOG						1	
32		10064103		FEED ROCKERSHAFT						1	
33		10064202		FEED ROCKER SHAFT CRANK						1	
34		10064301		BALL JOINT A						1	
35		10064400		BALL JOINT B						1	
36		10064608		FEED REGULATOR						1	
37	D	10064905		FEED CAM SHAFT						1	
38		10065001		FEED CAM ROLLER SHAFT						1	
39	R	B250228000A	26224709	FEED CAM ROLLER	SELECTIVE PARTS					1	1.00
40	R	B250228000B	26239806	FEED CAM ROLLER	SELECTIVE PARTS					1	1.00
41	R	B250228000C	26239905	FEED CAM ROLLER	SELECTIVE PARTS					1	1.00
42	R	B250228000D	26240002	CLOTH FEED CAM ROLLER	SELECTIVE PARTS					1	1.00
43		CS1031210SH		THRUST COLLAR A-SM. D=10.32 W=12						1	

EXCLUSIVE PARTS FOR LZ-2285N (2)

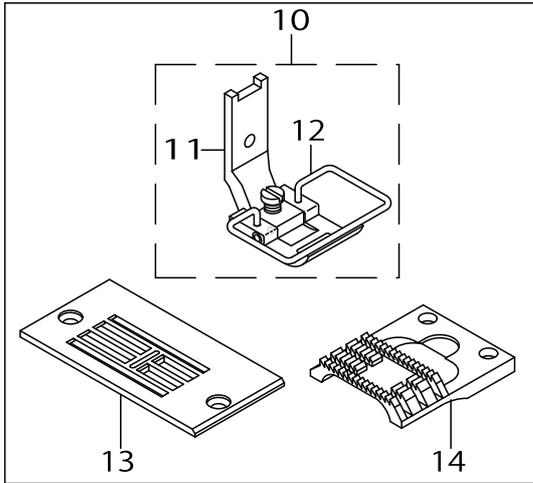


EXCLUSIVE PARTS FOR LZ-2285N (2)

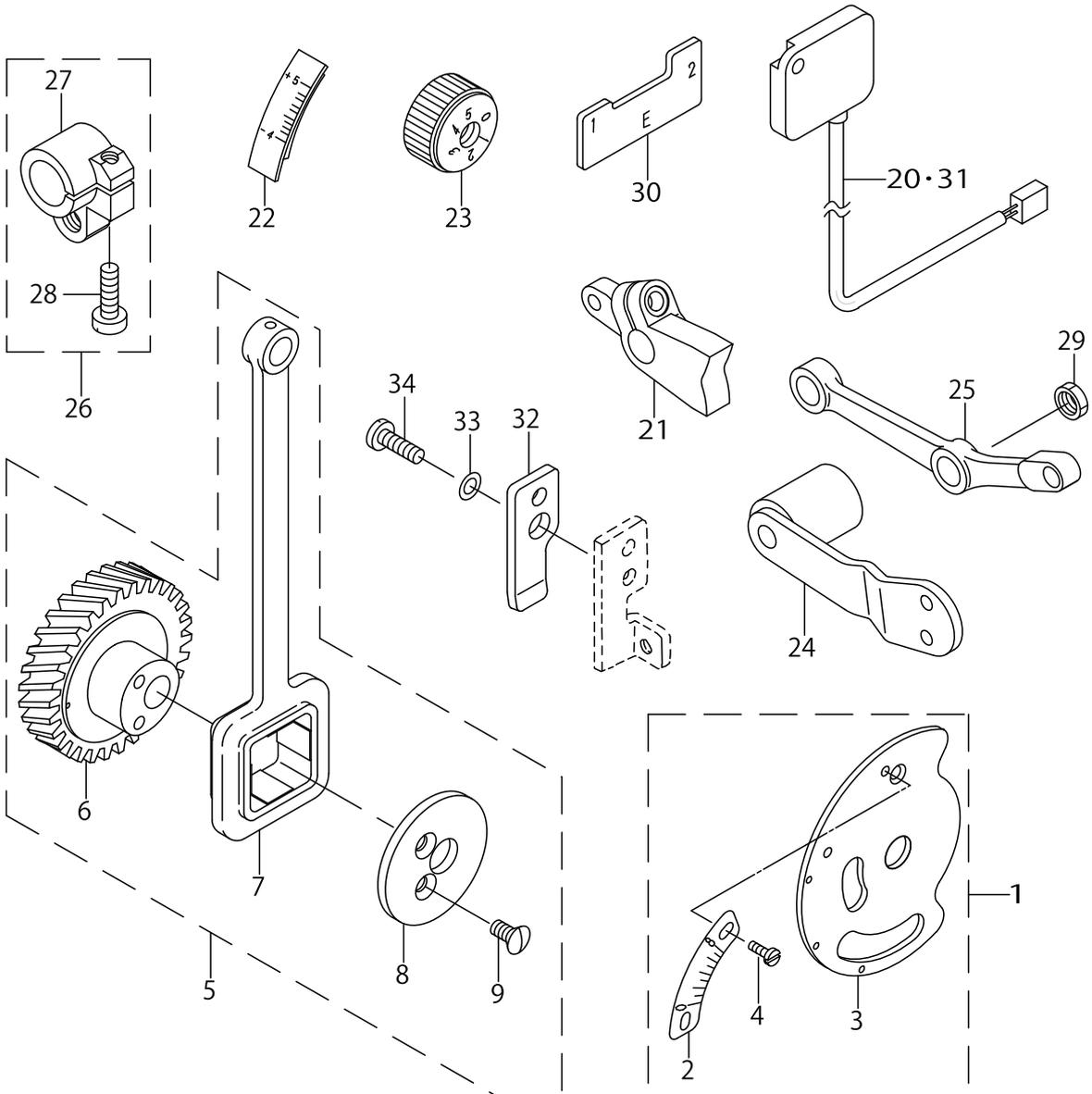
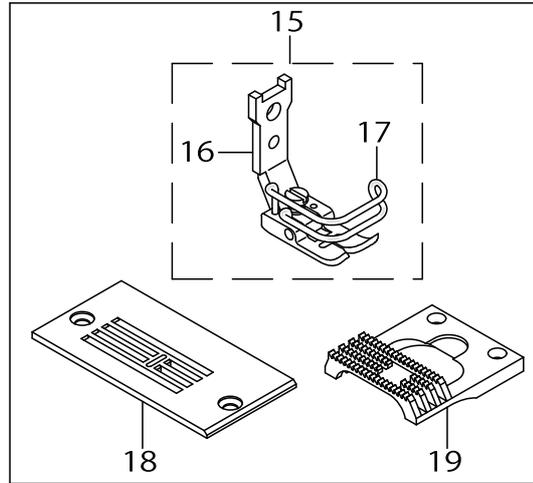
No.	Supply Code	Parts No.	Replacement	Parts name	Remarks	Choice	Step	Level	Cons	Qty	Rep. QTY
44		NS6150430SP		NUT 15/64-28						1	
45		SD0601051SP		HIGE SCREWD=6H=13						1	
46		WP0612066SP		WASHER 6.1X11X2						1	
47		WP0612066SP		WASHER 6.1X11X2						1	
48		NS6150430SP		NUT 15/64-28						1	
49		WP0621016SH		WASHER						1	
50		NM6060001SE		NUT M6						1	
51	R	SS7111410SP	SS7111410TP	SCREW 11/64-40L=14						3	1.00
52		CS1031210SH		THRUST COLLAR A-SM. D=10.32 W=12						1	
53		SS9661120CP		SCREW 1/4-40L=10.5						3	
54		SS9661120CP		SCREW 1/4-40L=10.5						3	
55		SS8660610TP		SCREW 1/4-40 L=6						4	
56		SS8660610TP		SCREW 1/4-40 L=6						2	
57		SS8660610TP		SCREW 1/4-40 L=6						2	
58		10043461		WORM WHEEL ASM.						1	
59		22590855		OIL SUPPLY PIPE ASM.						1	
60		22590806		OIL SUPPLY PIPE				*		1	
61		10035509		RUBBER JOINT				*		1	
62		B3527552000		RUBBER JOINT				*		2	
63		10065209		CAM OIL PIPE						1	
64		B3554481000		HOLDER						1	
65		SS4110915SP		SCREW 11/64-40 L=9						1	
66		WP0501016SD		WASHER 5X10.5X1						1	
67		SS6121210SP		SCREW 3/16-28 L=12						1	
68	D	CQ500600000		OIL WICK						.1	
69		CQ303000000		OIL WICK						.1	
70		22593107		BELT COVER						1	
71		SS4120615SP		SCREW 3/16-28 L=6						2	
72		22536502		TIMING GAUGE E						1	

EXCLUSIVE PARTS FOR LZ-2281N(-7)

FOR LZ-2281NB
LZ-2281NB用



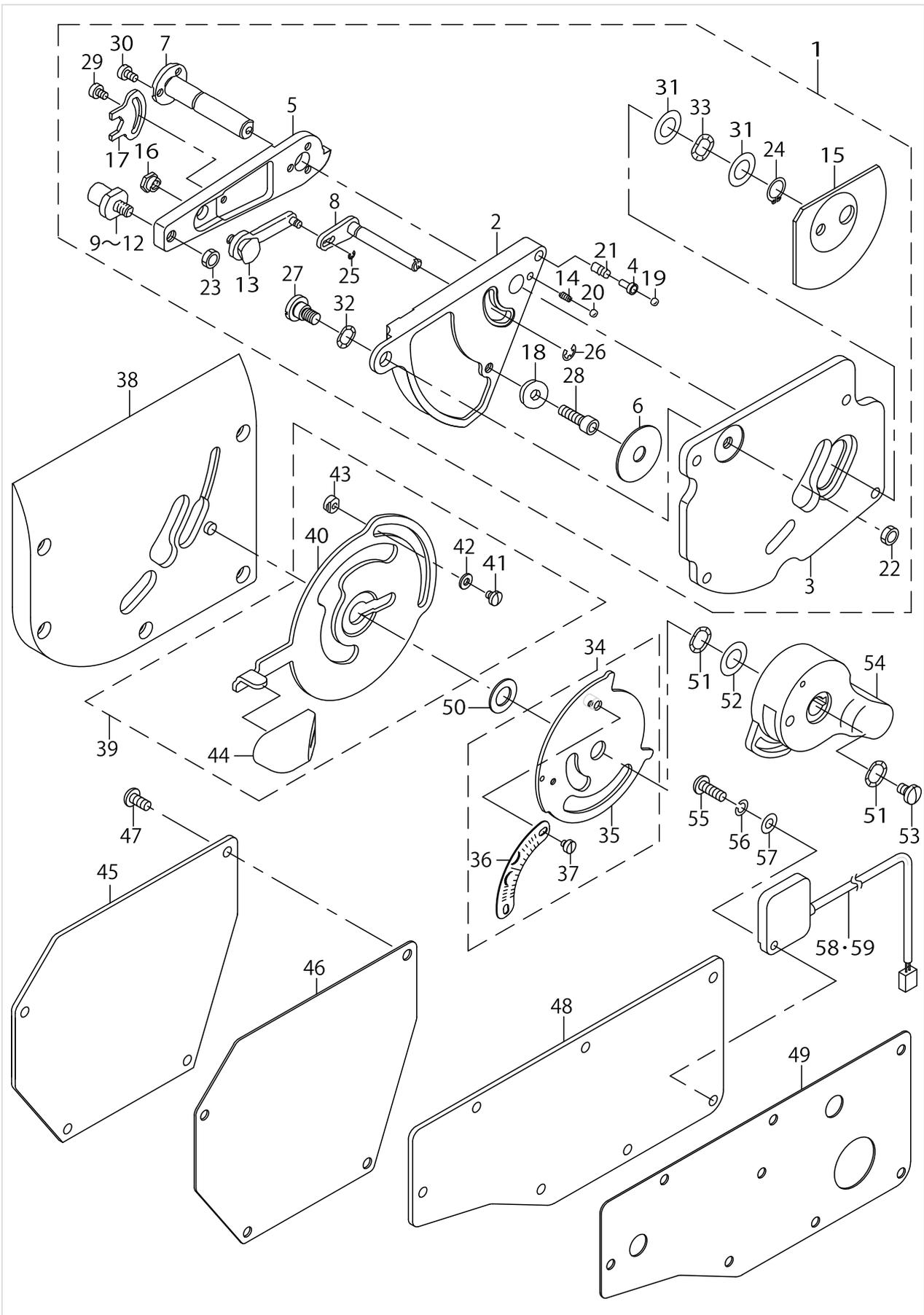
FOR LZ-2281NA
LZ-2281NA用



EXCLUSIVE PARTS FOR LZ-2281N(-7)

No.	Supply Code	Parts No.	Replacement	Parts name	Remarks	Choice	Step	Level	Cons	Qty	Rep. QTY
1		22540769		SCALE PLATE ASM.						1	
2		22540710		SCALE PLATE				*		1	
3		26306951		SCALE MOUNTING BASE COMPL.				*		1	
4		SS6080320SP		SCREW 1/8-44 L=2.5				*		2	
5		22542559		NEEDLE DRIVING CAM.						1	
6		22542500		NEEDLE VIBRATING CAM				*		1	
7		22510101		NEEDLE VIBRATING ROD				*		1	
8		22510200		CAM COVER				*		1	
9		SS2110920TP		SCREW 11/64-40 L=8.5				*		2	
10		22580369		PRESSER FOOT ASM.	FOR LZ-2281NB					1	
11	R	10045060	10045052	PRESSER FOOT ASM. A				*		1	1.00
12		22580302		SAFETY COVER				*		1	
13		22582407		NEEDLE PLATE	FOR LZ-2281NB					1	
14		22540009		FEED DOG	FOR LZ-2281NB					1	
15		22548671		PRESSER ASM.	FOR LZ-2281NA					1	
16	R	22546816	22547970	PRESSER ,UPPER		A	A:Japan	*		1	1.00
16	R	22546816	22548671	PRESSER ,UPPER		B	B:JHK, JS	*		1	1.00
16	R	22546816	22547962	PRESSER ,UPPER		C	C:JA, Japan	*		1	1.00
16	R	22546816	22548663	PRESSER ,UPPER		D	D:JA, JHK, JS	*		1	1.00
17		10021202		FINGER COVER				*		1	
18		22548010		NEEDLE PLATE	FOR LZ-2281NA					1	
19		22548119		FEED DOG	FOR LZ-2281NA					1	
20		M6093350AAL		RESISTANCE PACK AL ASM.	FOR LZ-22-81N-7 NO NECESSARY PART ACCORDING TO DESTINATIONS					1	
21		22541106		FEED DRIVING ADJUSTER						1	
22		22540207		SCALE PLATE						1	
23		11071909		FEED DIAL						1	
24		22540454		BALANCE WEIGHT COMPL						1	
25		40010276		HORIZONTAL FEED JUNCTION ROD						1	
26		B16085550A0		FEED ROCKER SHAFT CRANK ASM.						1	
27		B1608555000		FEED ROCKER SHAFT CRANK ARM				*		1	
28		SS6121610TP		SCREW 3/16-28 L=15.5				*		1	
29		NS6680320SP		NUT 9/32-28						1	
30		22536502		TIMING GAUGE E						1	
31	D	M6093350AAS		RESISTANCE PACK AS ASM.	FOR LZ-22-81N-7 NO NECESSARY PART ACCORDING TO DESTINATIONS					1	
32		22540108		PRESSING PLATE						1	
33		WP0480856SP		WASHER 4.8X8.4X0.8						1	
34		SS7111410TP		SCREW 11/64-40L=14						1	

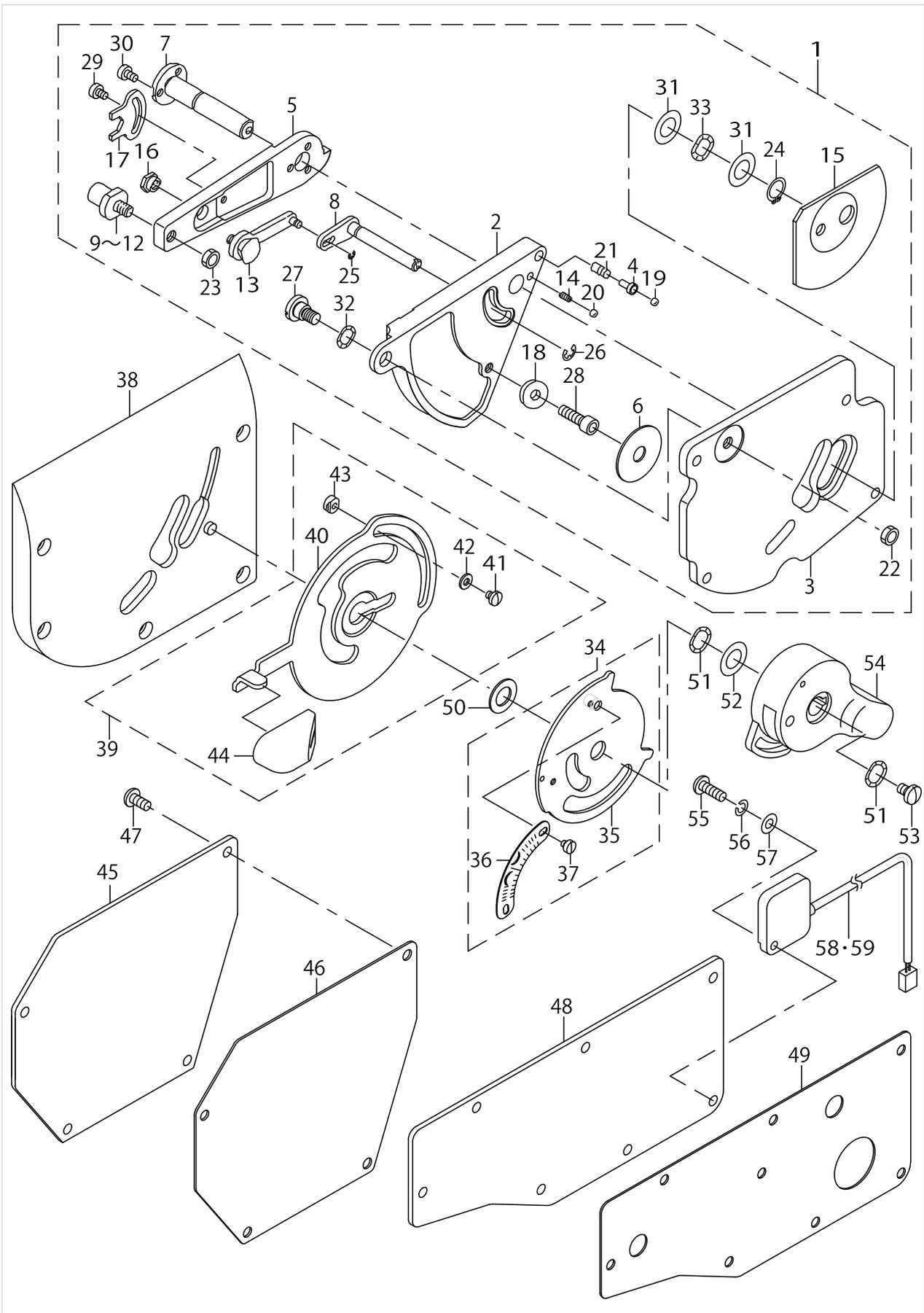
EXCLUSIVE PARTS FOR LZ-2288N (1)



EXCLUSIVE PARTS FOR LZ-2288N (1)

No.	Supply Code	Parts No.	Replacement	Parts name	Remarks	Choice	Step	Level	Cons	Qty	Rep. QTY
1		22572853		POSITION CHANGE BASE ASM.						1	
2		26319103		NEEDLE POSITION CHANGE BASE				*		1	
3		22572903		FITTING PLATE				*		1	
4		22573307		CHANGING STOPPER				*		1	
5		26312306		ADJUSTING ARM				*		1	
6		22573505		PACKING				*		1	
7		26307306		SHAFT				*		1	
8		10015360		LEVER ASM.				*		1	
9		10016210		SHAFT	SELECTIVE PARTS			*		1	
10		10016319		SHAFT	SELECTIVE PARTS			*		1	
11		10016418		SHAFT	SELECTIVE PARTS			*		1	
12		10016517		SHAFT	SELECTIVE PARTS			*		1	
13		10017168		STOPPER ASM.				*		1	
14		10017408		SPRING				*		1	
15		10017606		OIL SHIELD				*		1	
16		10018000		NUT				*		1	
17		10018109		NUT STOPPER				*		1	
18	R	B1430761000	40009109	ROLLER				*		1	1.00
19		B2608761000		HAND STOP CRANK SHAFT BALL				*		1	
20		B2608761000		HAND STOP CRANK SHAFT BALL				*		1	
21		MAT02106000		SPRING				*		1	
22		NS6150310SP		NUT 15/64-28				*		1	
23		NS6150310SP		NUT 15/64-28				*		1	
24		RC0100001KP		SNAP RING M10				*		1	
25		RE0200000K0		E-RING				*		1	
26		RE0400000K0		E-RING 4				*		1	
27		SD0800402TP		HINGE SCREW D= 8 H= 4				*		1	
28		SM6051602TP		SCREW M5X0.8 L=16				*		1	
29		SS6090520SP		SCREW 9/64-40 L=5.0				*		1	
30	R	SS6090620SP	SS6090620TP	SCREW 9/64-40 L=6				*		3	1.00
31		WP1020616SD		WASHER				*		2	
32		WZ0850302K0		WAVED WASHER 8.5X12.5X0.3				*		3	
33		WZ1052010KP		WAVED WASHER				*		1	
34	D	22573182		SCALE MOUNTING ASM.						1	
35	D	22573174		SCALE FITTING PLATE				*		1	
36		22573018		SCALE				*		1	
37		SS6080320SP		SCREW 1/8-44 L=2.5				*		2	
38		22568356		SIDE COVER ASM.						1	
39		22573257		CHANGING LEVER ASM.						1	
40		22573208		NEEDLE POSITION CHANGE LEVER				*		1	
41		SS7090410SP		SCREW 9/64-40 L=3.5				*		2	
42		WP0371016SD		WASHER 3.7X8X1				*		2	
43		10015907		LEVER STOPPER				*		2	
44		22512602		KNOB				*		1	
45		22568109		CAM COVER						1	
46		22568208		CAMCOVERPACKING						1	

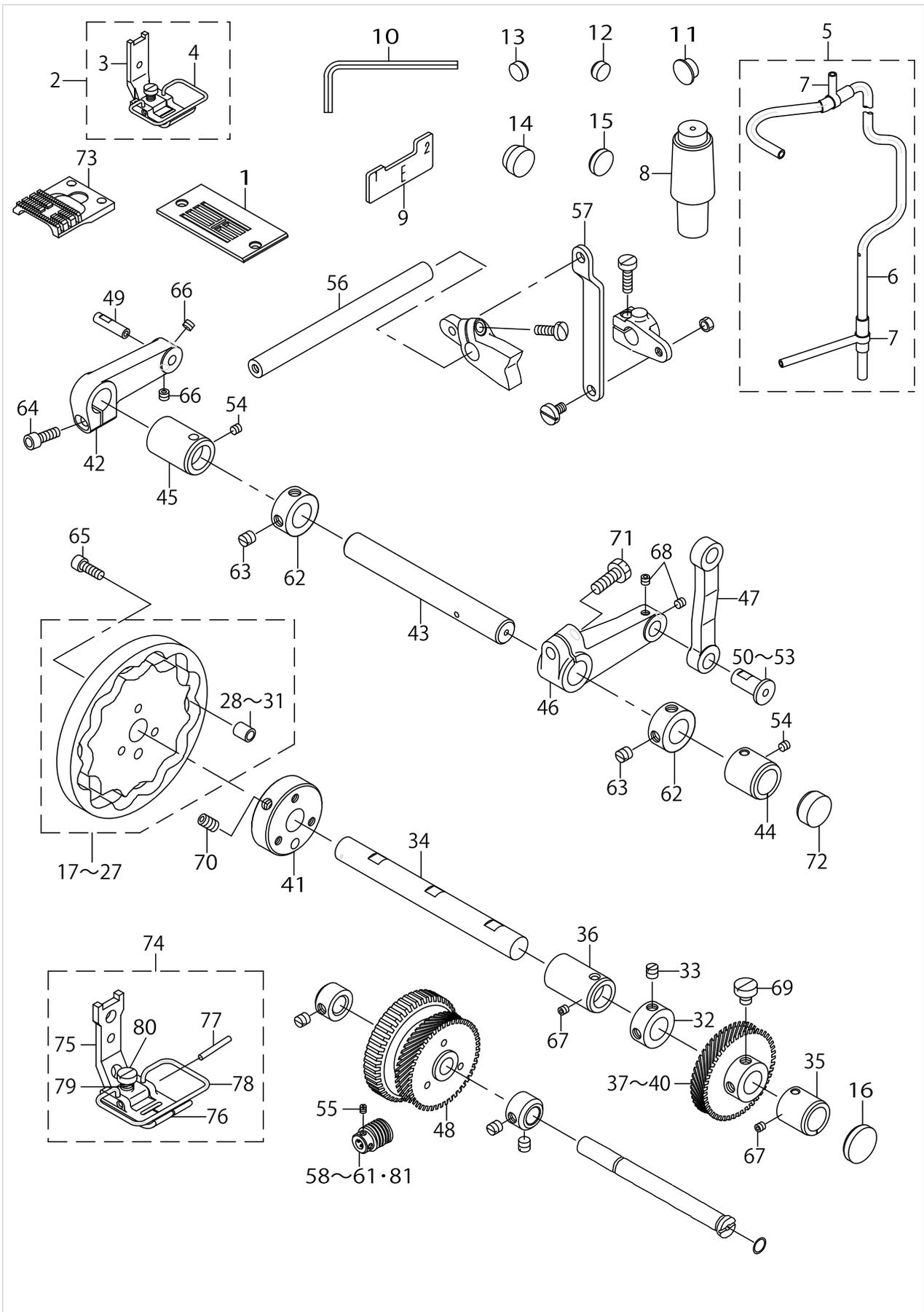
EXCLUSIVE PARTS FOR LZ-2288N (1)



EXCLUSIVE PARTS FOR LZ-2288N (1)

No.	Supply Code	Parts No.	Replacement	Parts name	Remarks	Choice	Step	Level	Cons	Qty	Rep. QTY
47		SS4121015SP		SCREW 3/16-28 L=10						4	
48		22567903		WINDOW PLATE						1	
49		22568000		WINDOW PLATE PACKING						1	
50		WP1021016SD		WASHER						1	
51		WZ1052010KP		WAVED WASHER						2	
52		WP1020616SD		WASHER						1	
53		SS7620750SP		SCREW 3/16-32L=6.5						1	
54	R	22512107	22512156	KNOB						1	1.00
55		SS4121415SP		SCREW 3/16-28 L=14	FOR LZ-2288N-7					1	
56		WS0510002KP		SPRING WASHER 5.1X9.2X1.3	FOR LZ-2288N-7					1	
57		WP0501016SD		WASHER 5X10.5X1	FOR LZ-2288N-7					1	
58		M6094350AAL		RESISTANCE PACK AL ASM.	FOR LZ-22-88N-7 NO NECESSARY PART ACCORDING TO DESTINATIONS					1	
59		M6094350AAF		RESISTANCE PACK AF ASM.	FOR LZ-22-88N-7 NO NECESSARY PART ACCORDING TO DESTINATIONS					1	

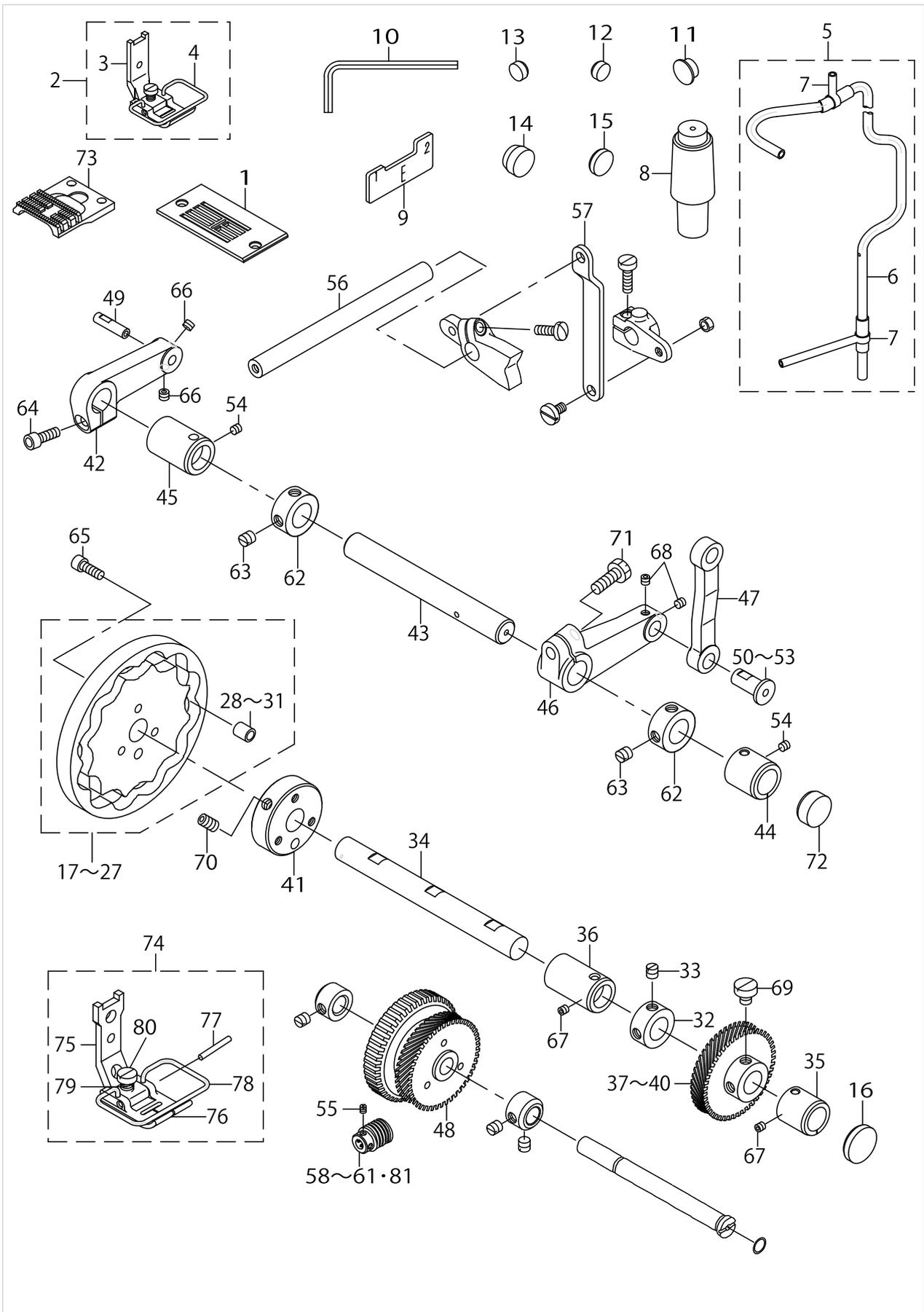
EXCLUSIVE PARTS FOR LZ-2288N (2)



EXCLUSIVE PARTS FOR LZ-2288N (2)

No.	Supply Code	Parts No.	Replacement	Parts name	Remarks	Choice	Step	Level	Cons	Qty	Rep. QTY
1		22582407		NEEDLE PLATE						1	
2		22580864		PRESSER ASM.						1	
3		10055051		PRESSER FOOT ASM.				*		1	
4		22580302		SAFETY COVER				*		1	
5		22574156		ARM SHAFT OIL PIPE ASM.						1	
6		22574107		ARM SHAFT OIL PIPE				*		1	
7		B3527552000		RUBBER JOINT				*		2	
8	D	22574255		HEAD SUPPORT ROD ASM.						1	
9		22536502		TIMING GAUGE E						1	
10		B9140372000		HEXAGONAL WRENCH, SMALL						1	
11		TA1050504R0		RUBBER PLUG						1	
12		TA0980502R0		RUBBER PLUG						3	
13		TA0980502R0		RUBBER PLUG						2	
14		TA1550902R0		PLUG						2	
15		TA1750502R0		RUBBER PLUG D=17.5 L=5						1	
16		TA2200502R0		RUBBER PLUG						1	
17	D	22568851		NEEDLE DRIVING CAM A ASM.	FOR LZ-2288NA					1	
18	D	22568950		NEEDLE DRIVING CAM B ASM.	FOR LZ-2288NB					1	
19	D	22569057		NEEDLE VIBRATING CAM ASM. C	FOR LZ-2288NC					1	
20	D	22569156		NEEDLE DRIVING CAM D ASM.	FOR LZ-2288ND					1	
21	D	22569255		NEEDLE DRIVING CAM E ASM.	FOR LZ-2288NE					1	
22		22569354		NEEDLE VIBRATING CAM ASM. F	FOR LZ-2288NF					1	
23		22569453		NEEDLE VIBRATING CAM ASM. G	FOR LZ-2288NG					1	
24		22569552		NEEDLE VIBRATING CAM ASM. H	FOR LZ-2288NH					1	
25	D	22569651		NEEDLE VIBRATING CAM ASM. J	FOR LZ-2288NJ					1	
26		22569750		NEEDLE VIBRATING CAM ASM. K	FOR LZ-2288NK					1	
27		22569859		NEEDLE VIBRATING CAM ASM. L	FOR LZ-2288NL					1	
28		22571103		CAM ROLLER, A	SELECTIVE PARTS			*		1	
29		22571202		CAM ROLLER, B	SELECTIVE PARTS			*		1	
30		22571301		CAM ROLLER, C	SELECTIVE PARTS			*		1	
31		22571400		CAM ROLLER, D	SELECTIVE PARTS			*		1	
32		CS1401113TH		THRUST COLLAR D=14 W=10.5						1	
33		SS6660710TP		SCREW 1/4-40 L=7						2	
34		22570006		CAM SHAFT						1	
35	D	22570105		BUSHING, A						1	
36	D	22570204		BUSHING, B						1	
37		22570303		CAM SHAFT GEAR A	SELECTIVE PARTS					1	
38	D	22570402		CAM SHAFT GEAR B	SELECTIVE PARTS					1	
39		22570501		CAM SHAFT GEAR B	SELECTIVE PARTS					1	
40	D	22570600		CAM SHAFT GEAR D	SELECTIVE PARTS					1	
41		22570758		CAM FOLDER ASM.						1	
42		22570907		CAM ARM						1	
43	D	22571509		DRIVING SHAFT						1	
44		22571608		DRIVING SHAFT METAL A						1	
45	D	22571707		BUSHING, B						1	
46		22571806		DRIVING ARM						1	

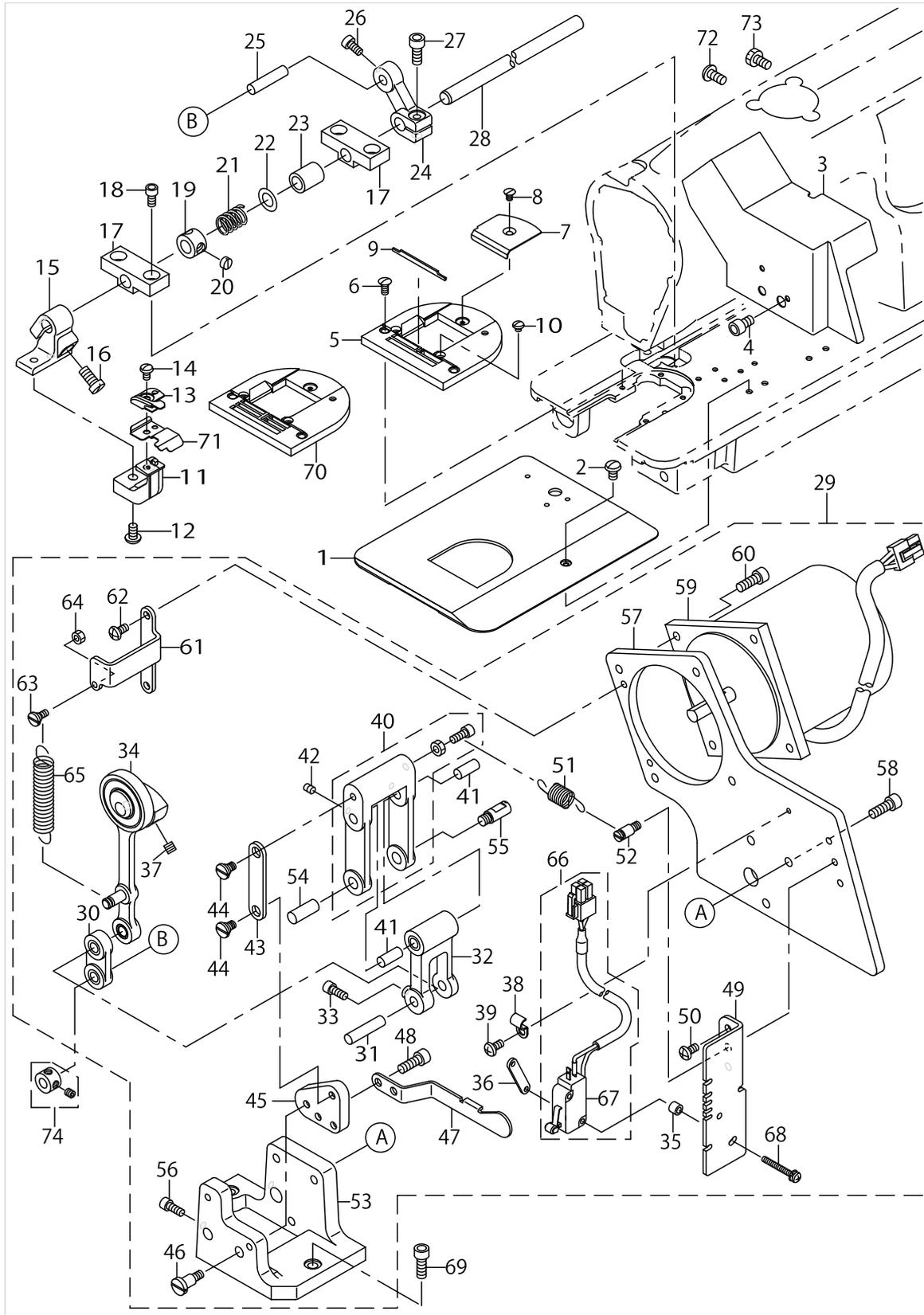
EXCLUSIVE PARTS FOR LZ-2288N (2)



EXCLUSIVE PARTS FOR LZ-2288N (2)

No.	Supply Code	Parts No.	Replacement	Parts name	Remarks	Choice	Step	Level	Cons	Qty	Rep. QTY
47		22571905		DRIVING ROD						1	
48	D	22572457		WORM WHEEL COMPL.						1	
49	D	22571004		CAM ROLLER SHAFT						1	
50		22572002		DRIVING PIN, A	SELECTIVE PARTS					1	
51		22572101		DRIVING PIN, B	SELECTIVE PARTS					1	
52		22572200		DRIVING PIN, C	SELECTIVE PARTS					1	
53		22572309		DRIVING PIN, D	SELECTIVE PARTS					1	
54		SS8110422TP		SCREW 11/64-40 L=4						2	
55		SS8660610TP		SCREW 1/4-40 L=6						4	
56		26312405		FEED LEVER SHAFT						1	
57	D	22573901		FEED CHANGING LINK, A						1	
58	D	10053007		WORM ASM. A	SELECTIVE PARTS					1	
59	D	10053106		WORM B	SELECTIVE PARTS					1	
60	D	10053205		WORM	SELECTIVE PARTS					1	
61	D	10053304		WORM	SELECTIVE PARTS					1	
62		CS1401113TH		THRUST COLLAR D=14 W=10.5						2	
63		SS8660610TP		SCREW 1/4-40 L=6						4	
64		SM6051402TP		SCREW M5X0.8 L=14						1	
65		SM6051402TP		SCREW M5X0.8 L=14						3	
66		SM8050612TP		SCREW M5X6						2	
67		SS8110422TP		SCREW 11/64-40 L=4						2	
68		SS8110422TP		SCREW 11/64-40 L=4						2	
69		SS6660710TP		SCREW 1/4-40 L=7						2	
70		SS8661012TP		SCREW						2	
71		SS9151740CP		SCREW 15/64-28 L=17						1	
72		TA2201002R0		PLUG						1	
73		22581508		FEED DOG						1	
74		22584965		PRESSER FOOT ASM.	VARIOUS NOS. FOR DESTINATIONS					1	
75	R	22545206	22547558	PRESSER FOOT (UPPER)				*		1	1.00
76	R	22584908	22584965	PRESSER FOOT (LOWER)				*		1	1.00
77		10021103		PRESSER PIN				*		1	
78		22545404		SAFETY COVER				*		1	
79		B1525582000		SPRING				*		1	
80		SS6090810SP		SCREW 9/64-40 L=7.5				*		1	
81		10053908		WORM E	SELECTIVE PARTS					1	

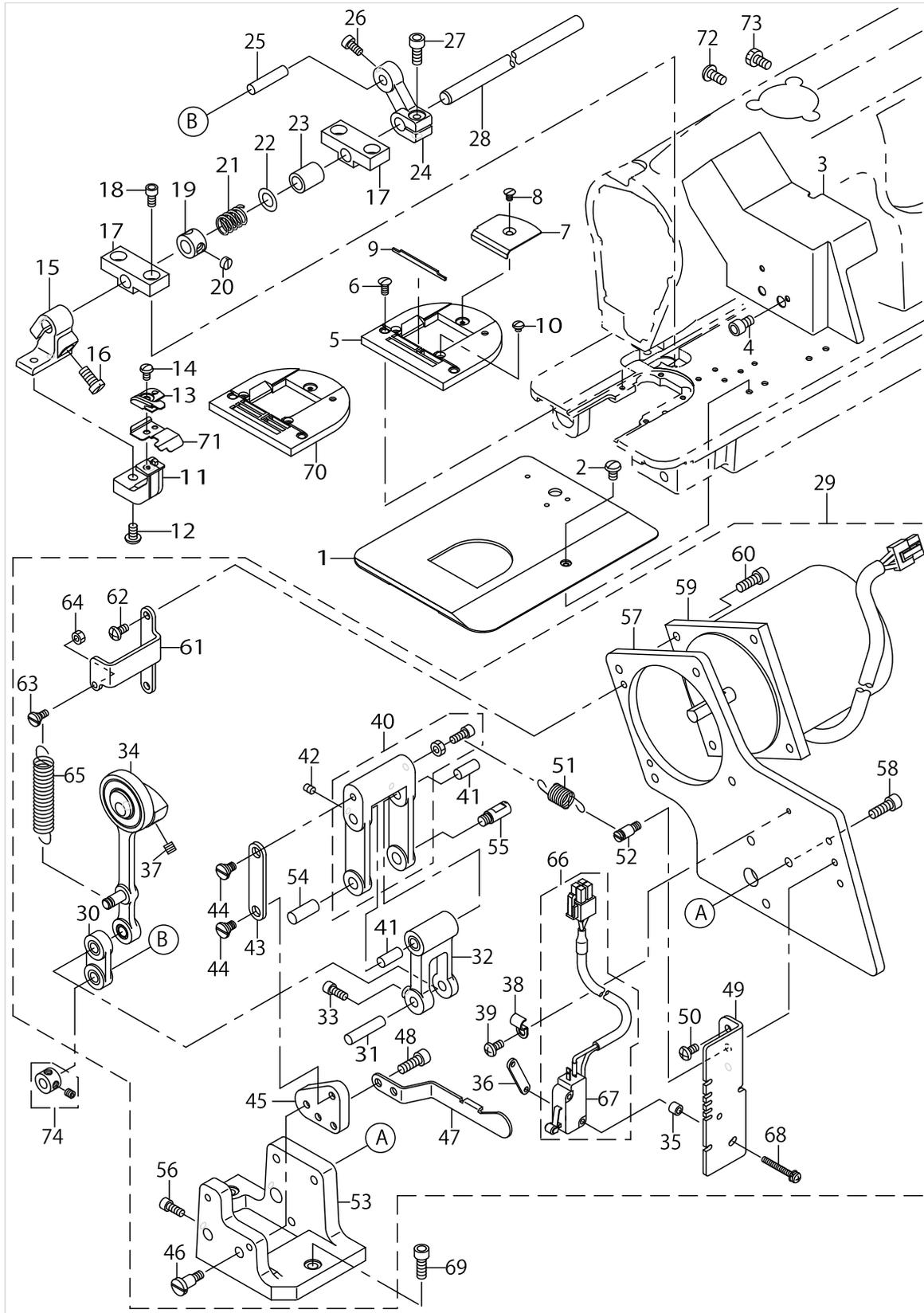
EXCLUSIVE PARTS FOR LZ-2282N(-7) (1)



EXCLUSIVE PARTS FOR LZ-2282N(-7) (1)

No.	Supply Code	Parts No.	Replacement	Parts name	Remarks	Choice	Step	Level	Cons	Qty	Rep. QTY
1		23509003		BED PLATE						1	
2		SS5110740TP		SCREW 11/64-40 L= 6.5						1	
3		23508906		KNIFE DRIVING DEVICE COVER						1	
4		SM6050802TN		BOLT						2	
5		23505829		THROAT PLATE	FOR EXPORT					1	
6		SS2090840SP		SCREW						2	
7		23513401		THROAT PLATE COVER						1	
8		SS1080510SP		SCREW 1/8-44 L=5						1	
9		23506108		THROAT PLATE KNIFE						1	
10		SS4080320TP		SCREW 1/8-44 L=3.4						2	
11		23506314		KNIFE BASE						1	
12		SS4110815SP		SCREW 11/64-40 L=8						2	
13		23506009		CLOTH CUTTING KNIFE						1	
14		SS5090610SP		SCREW 9/64-40 L=6						1	
15		23506405		KNIFE BASE ARM						1	
16		SS6122030SP		SCREW 3/16-28 L=20						1	
17		23506603		KNIFE DRIVING SHAFT BASE						2	
18		SM6040802TP		SCREW M4X0.7 L=8						4	
19		CS0800911TH		THRUST COLLAR						1	
20		SS8660340SP		SCREW 1/4-40 L= 2.5						1	
21		23506702		KNIFE PRESS SPRING						1	
22		WP0820526SD		WASHER 8.2X14X0.5						1	
23		16965105		METAL						1	
24		23506801		KNIFE DRIVING ARM						1	
25		10565406		GEAR SHAFT						1	
26		SM6040802TP		SCREW M4X0.7 L=8						1	
27		SM6051202TP		SCREW M5X0.8 L=12						1	
28		23506504		KNIFE DRIVING SHAFT						1	
29		23508252		KNIFE DRIVING DEVICE ASM.						1	
30		23507056		CONNECTING LINK A ASM.					*	1	
31		10565406		GEAR SHAFT					*	1	
32	D	23507155		CONNECTING LINK B ASM.					*	1	
33		SM6041002TP		SCREW M4 L=10					*	1	
34		23507262		KNIFE DRIVING ROT ASM.					*	1	
35		B4011210000		SPACER					*	2	
36	R	11102308	22954408	MICRO SWITCH PLATE					*	1	1.00
37		SM8050812TP		SCREW M5X8					*	2	
38		B3538112000		OIL RETURN TUBE HOLDER					*	1	
39	R	SM4030411SB	SM4030401SC	SCREW M3X0.5 L=4					*	1	1.00
40		23507551		KNIFE ADJUSTING LINK ASM.					*	1	
41		11387503		LEVER ARM PIN					*	2	
42		SM8040502TP		SCREW M4X0.7 L=5					*	2	
43		23507700		ADJUSTING CONNECTING PLATE					*	1	
44		SD0640231SP		HINGE SCREW D= 6.35 H= 2.3					*	2	
45		23507809		LEVER BASE					*	1	
46		SD0640851SP		STEP-SCREW					*	1	

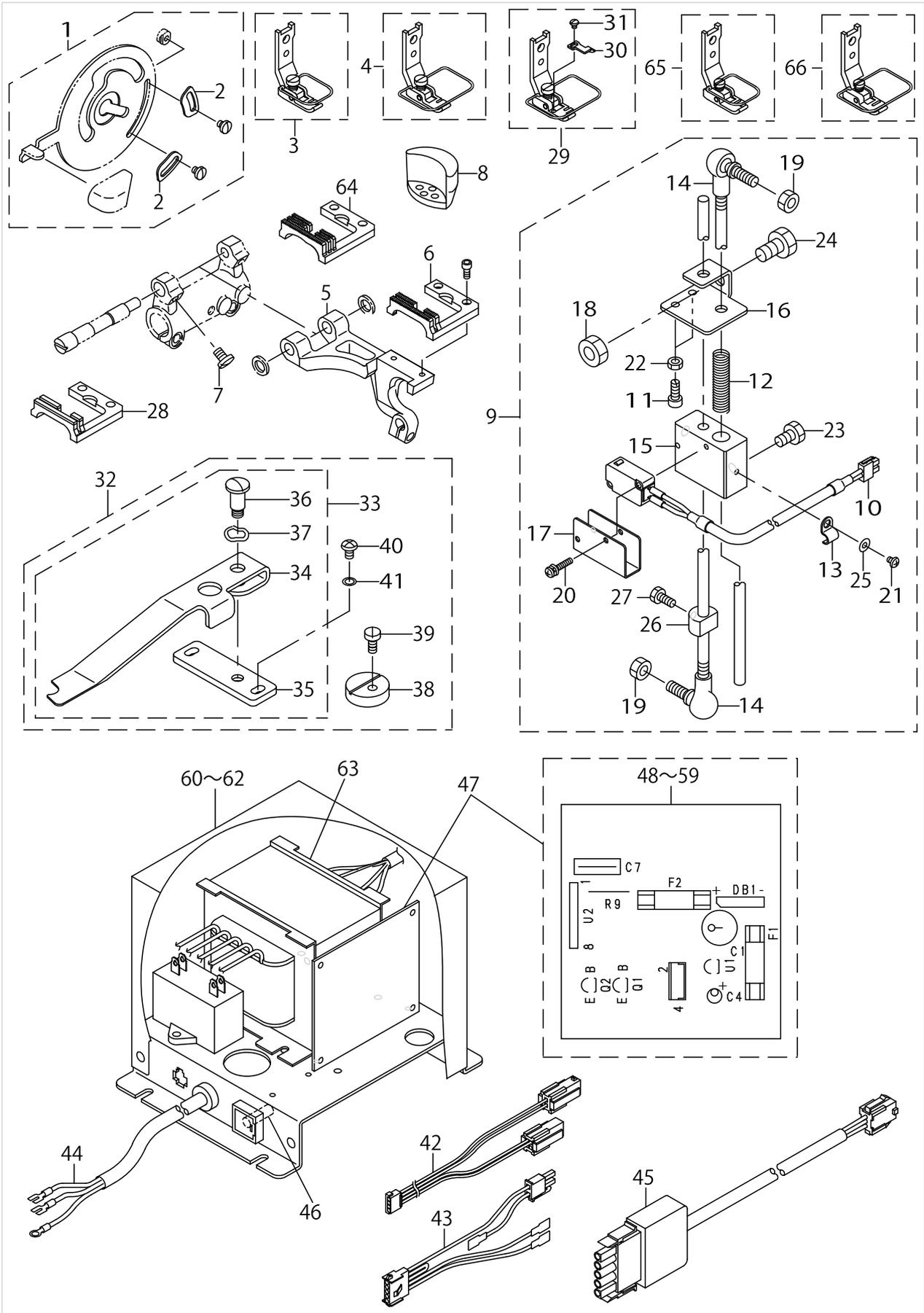
EXCLUSIVE PARTS FOR LZ-2282N(-7) (1)



EXCLUSIVE PARTS FOR LZ-2282N(-7) (1)

No.	Supply Code	Parts No.	Replacement	Parts name	Remarks	Choice	Step	Level	Cons	Qty	Rep. QTY
47		23507908		KNIFE ADJUSTING LEVER				*		1	
48		SS4110815SP		SCREW 11/64-40 L=8				*		2	
49		23508005		LEVER SCALE PLATE				*		1	
50		SM4040855SP		SCREW				*		2	
51		23508104		ADJUSTING LINK SPRING				*		1	
52		40023289		SPRINGSUSPENSION				*		1	
53		23508203		KNIFE ADJUSTING BASE				*		1	
54		11384302		PIN, B				*		1	
55	R	11008802	22910806	ADJUSTING LINK F-ULCRUM SHAFT A				*		1	1.00
56		SM6041002TP		SCREW M4 L=10				*		2	
57		23508302		MOTOR SUPPORT PLATE				*		1	
58		SM6051402TP		SCREW M5X0.8 L=14				*		3	
59		23508450		AC MOTOR ASM.				*		1	
60		SM6051402TP		SCREW M5X0.8 L=14				*		4	
61		23508500		STOP SPRING RACK				*		1	
62		SM4040855SP		SCREW				*		2	
63		SD0500251SP		HINGE SCREW D= 5 H= 2.5				*		1	
64		NS6090310SP		NUT 9/64-40				*		1	
65		23508609		STOP SPRING				*		1	
66		23508757		MOTOR SWITCH ASM.				*		1	
67		HA00044000A		SWITCH				*		1	
68		SL4032591SC		SCREW M3X25				*		2	
69		SM6051402TP		SCREW M5X0.8 L=14						1	
70		23512817		THROAT PLATE	FOR USE IN JAPAN					1	
71		23513302		CLOTH WASTE COVER						1	
72		SS4121015SP		SCREW 3/16-28 L=10						1	
73		SS9120910TP		SCREW 3/16-28 L=9						1	
74		B25792290A0		THRUST BEARING						1	

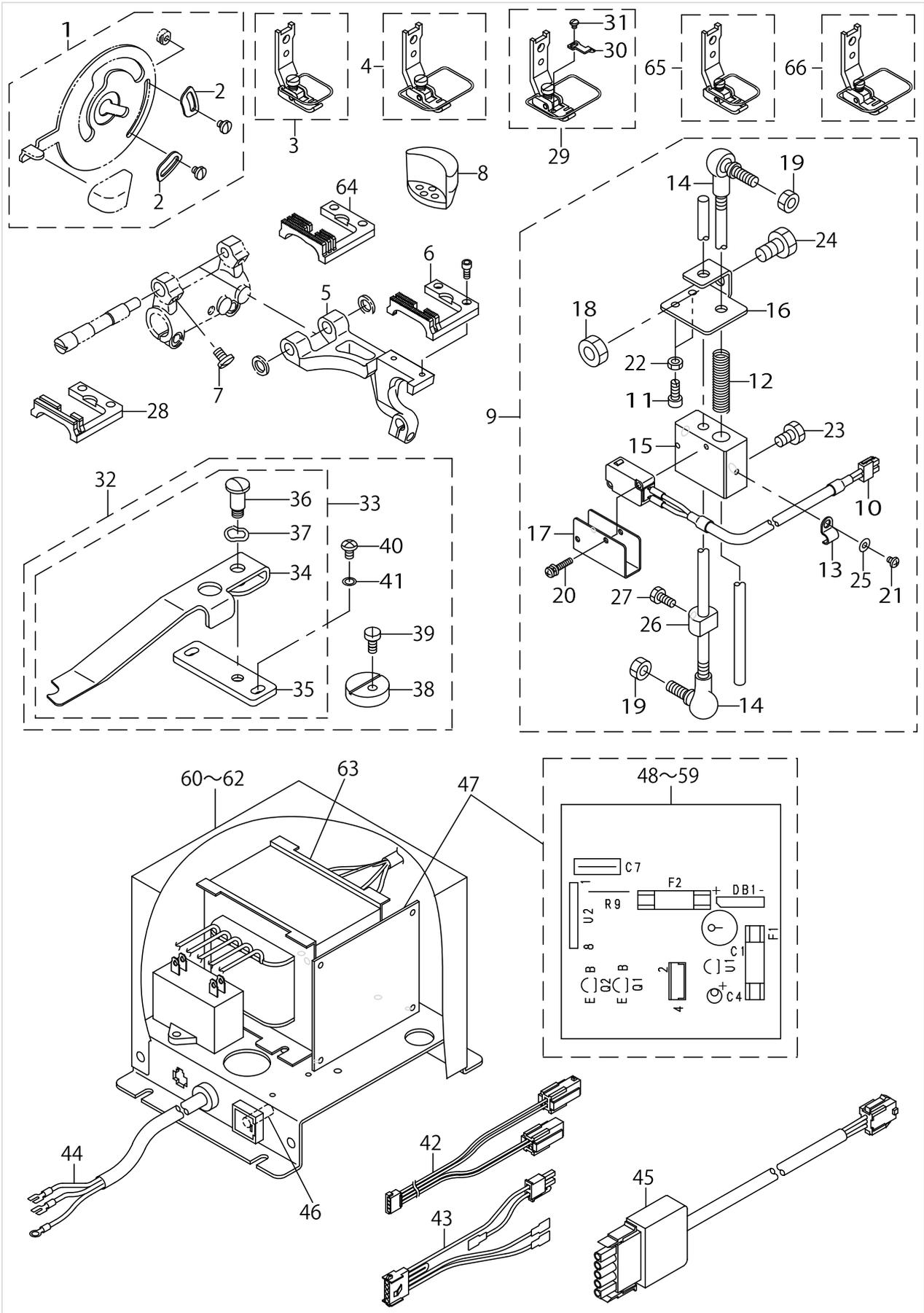
EXCLUSIVE PARTS FOR LZ-2282N(-7) (2)



EXCLUSIVE PARTS FOR LZ-2282N(-7) (2)

No.	Supply Code	Parts No.	Replacement	Parts name	Remarks	Choice	Step	Level	Cons	Qty	Rep. QTY
1		23505654		POSITION CHANGE LEVER ASM.						1	
2		23505605		NEEDLE POSITION STOPPER				*		2	
3		23509169		PRESSER ASM.	OPTIONAL PARTS (ACCESSORIES PARTS FOR JE)					1	
4		23509466		PRESSER ASM.	FOR EXPORT					1	
5		40057280		FEED BASE ASM						1	
6		23505910		FEED DOG	OPTIONAL PARTS (ACCESSORIES PARTS FOR JE)					1	
7		SS7120710SP		SCREW 3/16-28 L=7						2	
8		23509706		HEAD SUPPORT RUBBER						2	
9		23510050		STARTING SWITCH ASM.						1	
10		23510159		SWITCH ASM.				*		1	
11		B3208280000		BOBBIN WINDER ADJUSTING SCREW				*		2	
12	D	23510308		SWITCH SPRING				*		1	
13		B3538112000		OIL RETURN TUBE HOLDER				*		1	
14	R	D7117555BA0	22958557	JOINT BAR A ASM.				*		2	1.00
15		23510407		SWITCH BASE				*		1	
16		23510506		SWITCH PLATE				*		1	
17		MA011602N00		MICRO-SWITCH COVER				*		1	
18		NM6080721SE		NUT M8				*		1	
19		NM6060001SE		NUT M6				*		2	
20		SL4031691SC		SCREW M3 L=16				*		2	
21	R	SM4030411SB	SM4030401SC	SCREW M3X0.5 L=4				*		1	1.00
22		NS6110360SP		NUT				*		2	
23		SM9061003SC		SCREW M6X10				*		1	
24		SM9081423SE		SCREW M8 L=14				*		1	
25		WP0330501SB		WASHER M3				*		1	
26		26308809		STOPPER				*		1	
27	R	SS9111013SP	SS9111010SP	SCREW 11/64-40 L=9.5				*		1	1.00
28		23512015		FEED DOG	FOR JE					1	
29		23512569		PRESSER ASM.	FOR JE					1	
30	D	23512601		LACE GUIDE				*		1	
31		SS4060310SP		SCREW 3/32-56 L=2.5				*		1	
32		23512163		SEPARATION PLATE ASM.	OPTIONAL PARTS (ACCESSORIES PARTS FOR JE)					1	
33		23512155		SEPARATION PLATE COMPL.				*		1	
34	R	23512106	23512155	SEPARATION PLAT				*		1	1.00
35		23512205		SEPARATION PLAT BASE				*		1	
36		SD0791331SP		HINGE SCREW D= 7.94 H=13.3				*		1	
37		WZ0850302K0		WAVED WASHER 8.5X12.5X0.3				*		1	
38		23512304		SEPARATION STOPPER				*		1	
39		SS9111010SP		SCREW 11/64-40 L=9.5				*		1	
40		SS4110715SP		SCREW 11/64-40 L=7				*		1	
41		WP0510516SD		WASHER 5.1X7.5X0.5				*		1	

EXCLUSIVE PARTS FOR LZ-2282N(-7) (2)

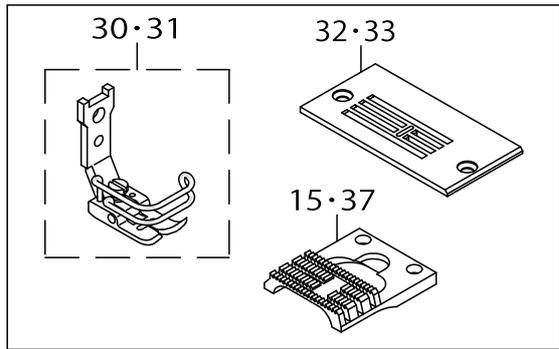


EXCLUSIVE PARTS FOR LZ-2282N(-7) (2)

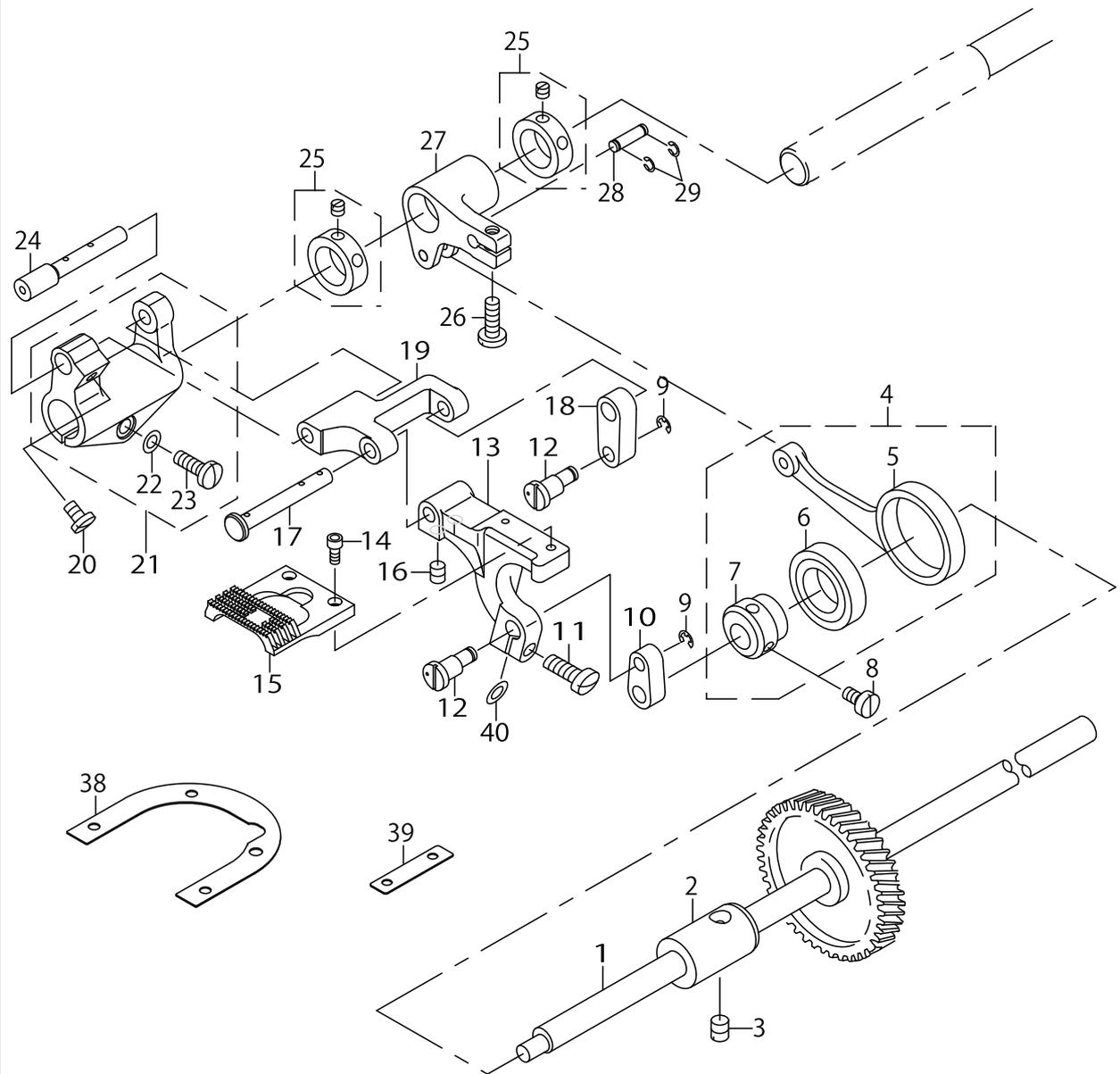
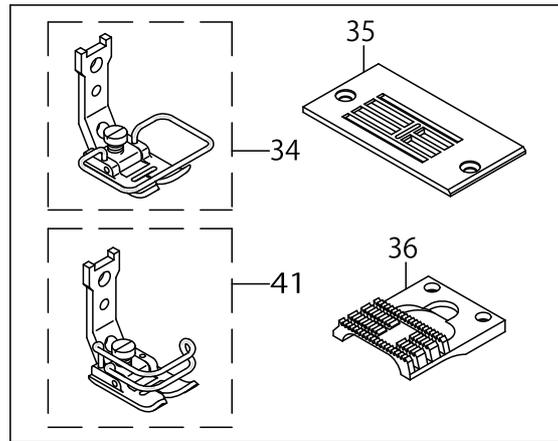
No.	Supply Code	Parts No.	Replacement	Parts name	Remarks	Choice	Step	Level	Cons	Qty	Rep. QTY
42		M8504429AA0A		CORD A ASM.						1	
43		M8502429AA0		CORD A ASM.						1	
44	D	M8503429AA0		CORD A ASM.						1	
45		M8505429AA0		CORD A ASM.						1	
46		HF0078016P0		FUSE 250VT 1.6A						1	
47		M8601429AA0A		CONTROL BASE A ASM.						1	
48		HL017120000		PHOTO COUPLER				*		1	
49	R	HG005640000	HG006480000	DIODE BRIGDE (S1VB20)				*		1	1.00
50		HL003880000		VOLTAGE REGULATOR (UPC78L05A)				*		1	
51		HT002310000		TRANSISTOR 2SC1815				*		2	
52		HR022301010		FIXED RESISTANCE				*		1	
53		HC018201020		ALUMINUM ELECTROLYSIS				*		1	
54	D	HC018204700		CAPACITOR 47 25V				*		1	
55		HC055711040		CAPACITOR				*		1	
56		HC036413320		CONDENSER				*		1	
57		HF0041050S0		FUSE 0.5A				*		1	
58		HF0041020P0		FUSE 2A				*		1	
59		HK01650004A		CONNECTOR 4P				*		1	
60		M2001429BA0		PSC BOX B ASM.	FOR 200V,3-PHASE					1	
61	D	M2001429CA0		PSC BOX C ASM.	FOR 230V,3-PHASE					1	
62		M2001429AA0		PSC BOX A ASM.	FOR 100V,1-PHASE					1	
63		M8501429AA0		POWER SOURCE TRANSFORMER ASM.						1	
64		23512908		FEED DOG	FOR USE IN JAPAN					1	
65		23513062		PRESSER ASM.	FOR USE IN JAPAN					1	
66		23513161		PRESSER ASM.	FOR USE IN JAPAN					1	

EXCLUSIVE PARTS FOR LZ-2280NU(-7),2284NU(-7),2286NU(-7) & 2288NU(-7)

FOR LZ-2280NU
LZ-2280NU用



FOR LZ-2288NU,LZ-2286NU,LZ-2284NU
LZ-2288NU,LZ-2286NU,LZ-2284NU用

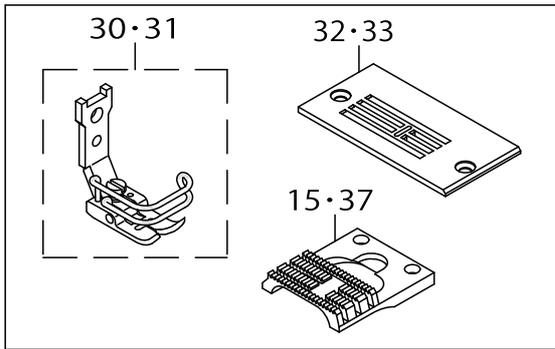


EXCLUSIVE PARTS FOR LZ-2280NU(-7),2284NU(-7),2286NU(-7) & 2288NU(-7)

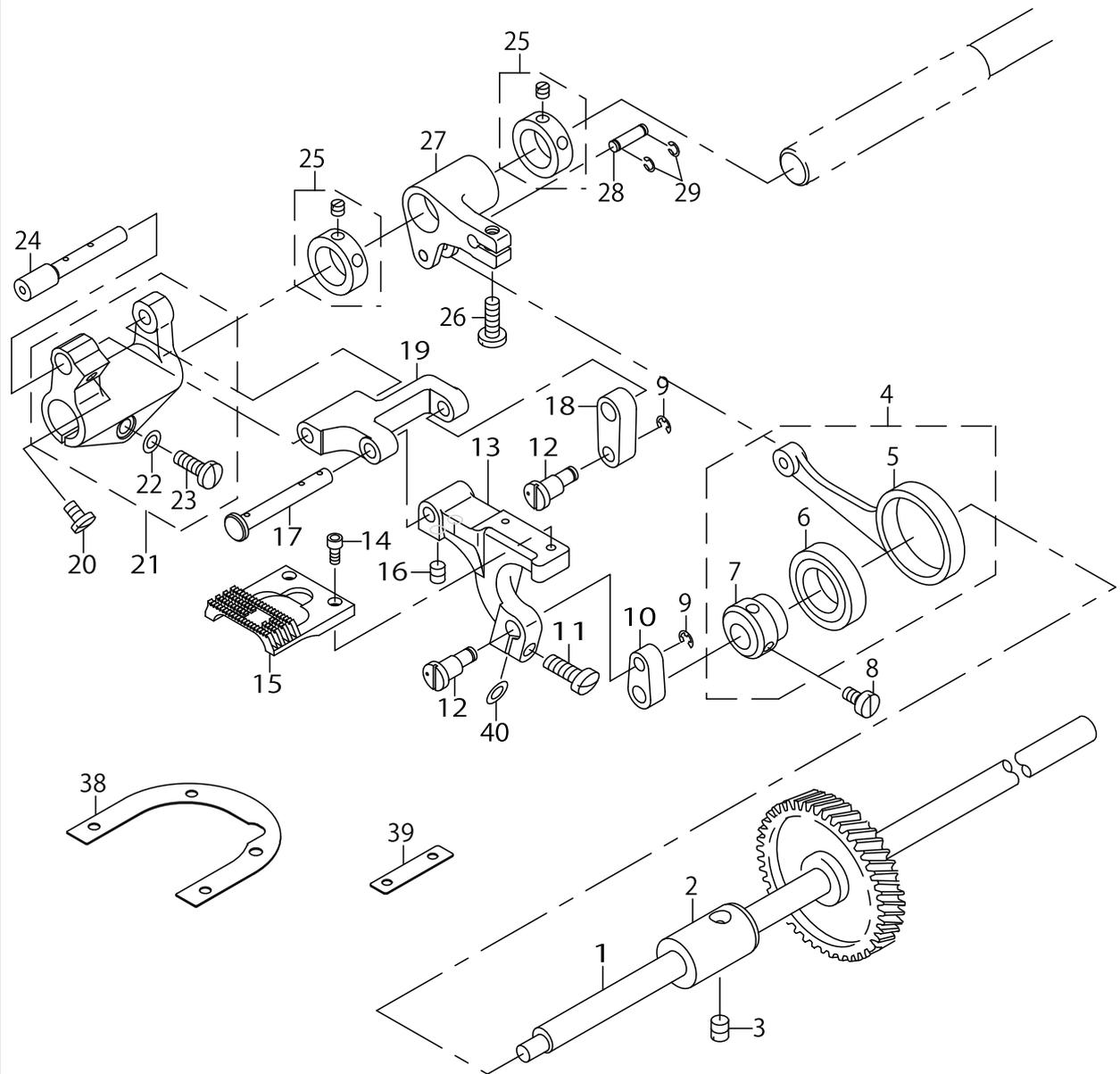
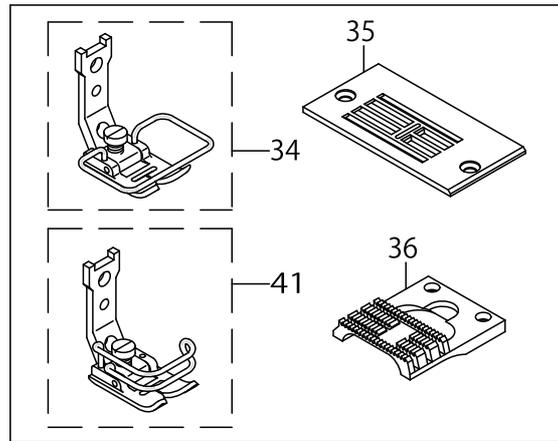
No.	Supply Code	Parts No.	Replacement	Parts name	Remarks	Choice	Step	Level	Cons	Qty	Rep. QTY
1		23502008		HOCK DRIVING SHAFT						1	
2		23502107		BUSING,FRONT						1	
3	R	SS8150710SP	SS8150710TP	SCREW 15/64-28 L=7						1	1.00
4		23501356		VERTICAL FEED CAM ASM.						1	
5		23501406		VERTICAL FEED ROD				*		1	
6		SB117000100		BEARING				*		1	
7		23501307		VERTICAL FEED CAM				*		1	
8		SS6110820TP		SCREW 11/64-40 L=8						2	
9		RE0300000K0		E-RING 3						2	
10		22520001		LINK						1	
11		SS7121410TP		SCREW 3/16-28 L=14						1	
12		26303107		LINK SHAFT						2	
13		23501901		FEED BASE						1	
14		SS6580752TP		SCREW 1/8-40 L=7						2	
15		22548119		FEED DOG	VARIOUS NSO. FOR DESTINATIONS					1	
16		SM8050612TP		SCREW M5X6						2	
17		23501802		FEED BAR SHAFT B						1	
18		23501703		LINK B						1	
19		23501604		FEED BASE LINK						1	
20		SS7110740TP		SCREW 11/64-40 L=7						1	
21		22913156		FEED ROCKER ASM.						1	
22		WP0480856SP		WASHER 4.8X8.4X0.8				*		1	
23		SS7121410TP		SCREW 3/16-28 L=14				*		1	
24		22913206		FEED BAR SHAF						1	
25		GS1470710SH		THRUST COLLAR A- SM. D=14.72 W=7						2	
26		SS7121410TP		SCREW 3/16-28 L=14						1	
27		23501513		VERTICAL FEED ARM						1	
28		11214806		PIN						1	
29		RC0330415KP		SNAP RING						2	
30		22548671		PRESSER ASM.	VARIOUS NSO. FOR DESTINATIONS					1	
31		22548960		PRESSER ASM.	VARIOUS NSO. FOR DESTINATIONS					1	
32		22548010		NEEDLE PLATE	VARIOUS NSO. FOR DESTINATIONS					1	
33		22548705		NEEDLE PLATE	VARIOUS NSO. FOR DESTINATIONS					1	
34		23503154		PRESSER ASM.	VARIOUS NSO. FOR DESTINATIONS					1	
35		22582407		NEEDLE PLATE						1	
36		22581508		FEED DOG	VARIOUS NSO. FOR DESTINATIONS					1	
37		22548804		FEED DOG	VARIOUS NSO. FOR DESTINATIONS					1	

EXCLUSIVE PARTS FOR LZ-2280NU(-7),2284NU(-7),2286NU(-7) & 2288NU(-7)

FOR LZ-2280NU
LZ-2280NU用



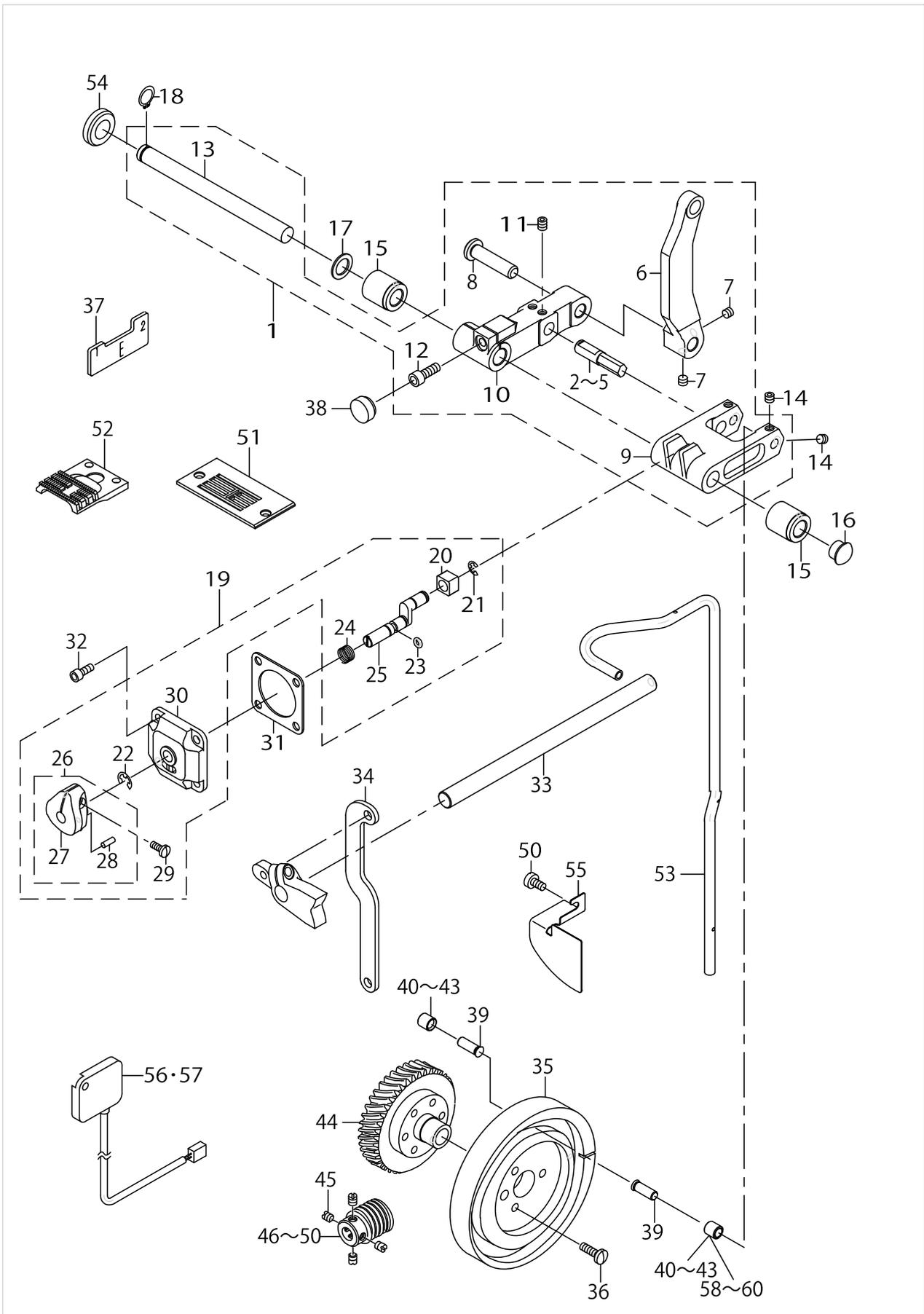
FOR LZ-2288NU,LZ-2286NU,LZ-2284NU
LZ-2288NU,LZ-2286NU,LZ-2284NU用



EXCLUSIVE PARTS FOR LZ-2280NU(-7),2284NU(-7),2286NU(-7) & 2288NU(-7)

No.	Supply Code	Parts No.	Replacement	Parts name	Remarks	Choice	Step	Level	Cons	Qty	Rep. QTY
38		22503908		SPACER	FOR LZ-22-80NU-7,LZ-2284NU-7,LZ-2286NU-7,LZ-2288NU-7					1	
39		10025906		SPACER	FOR LZ-22-80NU-7,LZ-2284NU-7,LZ-2286NU-7,LZ-2288NU-7					1	
40		WP0500916SD		WASHER 5X7X0.9						1	
41		23503162		PRESSER ASM.	VARIOUS NSO. FOR DESTINATIONS					1	

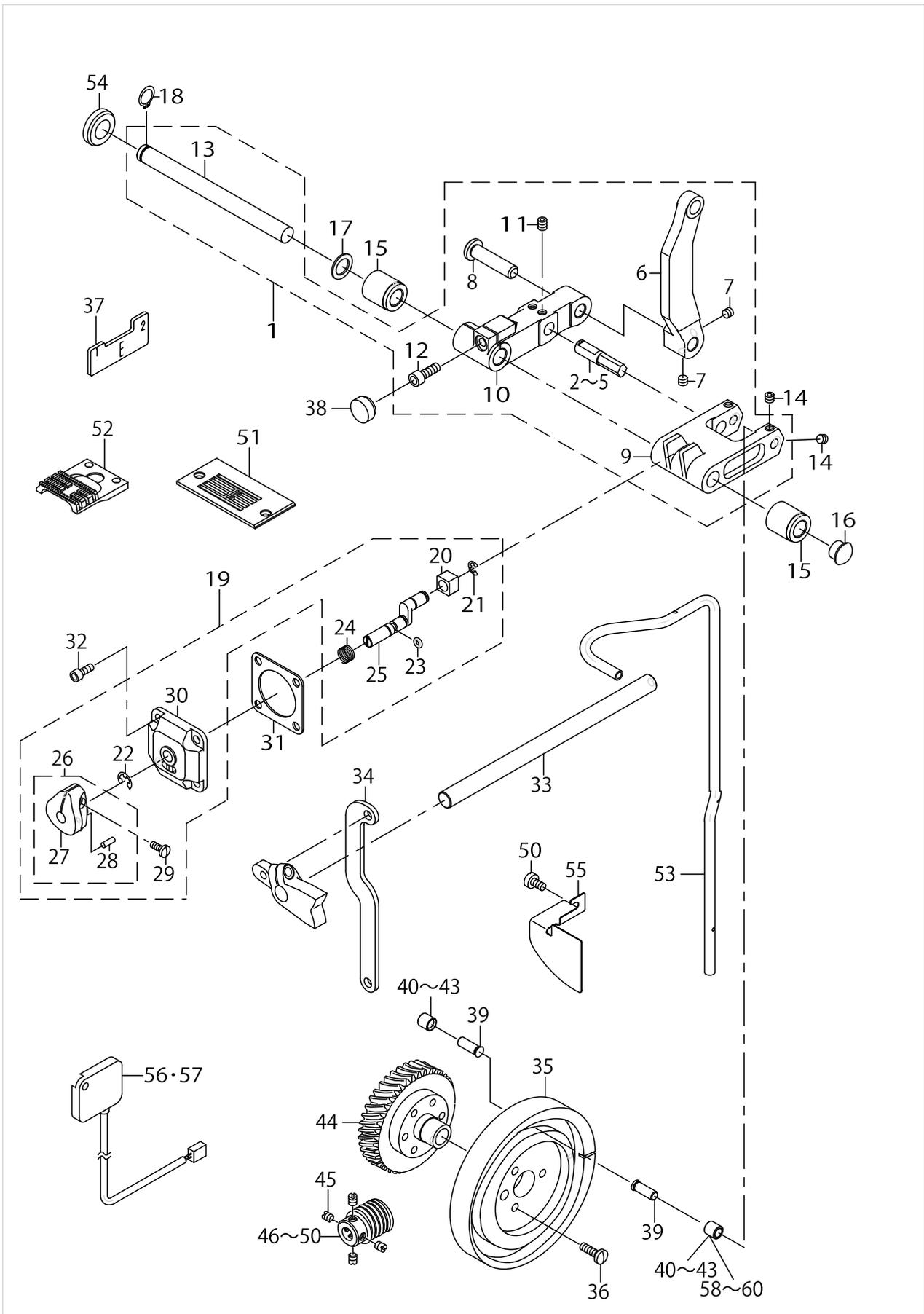
EXCLUSIVE PARTS FOR LZ-2284N(-7),LZ-2284C-7 (1)



EXCLUSIVE PARTS FOR LZ-2284N(-7),LZ-2284C-7 (1)

No.	Supply Code	Parts No.	Replacement	Parts name	Remarks	Choice	Step	Level	Cons	Qty	Rep. QTY
1		26312751		NEEDLE DRIVING ARM ASM.						1	
2		26313007		DIA PIN A	SELECTIVE PARTS			*		1	
3		26313106		DIA PIN B	SELECTIVE PARTS			*		1	
4		26313205		DIA PIN C	SELECTIVE PARTS			*		1	
5	D	26313304		DIA PIN D	SELECTIVE PARTS			*		1	
6	R	26313502	26312751	NEEDLEDRIVINGROD				*		1	1.00
7		SM8050412TP		SCREW M5 L=4				*		2	
8		26313403		NEEDLE DRIVING PIN A				*		1	
9		26312900		NEEDLE CAM ARM				*		1	
10		26312702		DRIVING ARM				*		1	
11		SM8050612TP		SCREW M5X6				*		2	
12		SM6051402TP		SCREW M5X0.8 L=14				*		1	
13		26312801		NEEDLE DRIVING SHAFT				*		1	
14		SM8050412TP		SCREW M5 L=4						4	
15		12308300		METAL,FRONT						2	
16		TA1100604R0		PLUG						1	
17		B1637560000		WASHER						1	
18		RC0100001KP		SNAP RING M10						1	
19		40078331		CHANGE OVER BASIS ASM.						1	
20		40078335		CHANGE OVER BLOCK				*		1	
21		RE0400000K0		E-RING 4				*		1	
22		RE0400000K0		E-RING 4				*		1	
23		RO029180100		RUBBER RING				*		1	
24		26314104		SPRING				*		1	
25		40078336		CHANGE OVER SLIDE SHAFT				*		1	
26	R	40078333	40078331	CHANGE OVER LEVER ASM.				*		1	1.00
27		40078334		CHANGE OVER LEVER				*		1	
28		PH0300085S0		PIN				*		1	
29		SS7090910TP		SCREW 9/64-40 L=8.5				*		1	
30		40078332		CHANGE OVER BASIS				*		1	
31		22501704		GASKET						1	
32		SS6111052TP		SCREW						4	
33		26312405		FEED LEVER SHAFT						1	
34		26314401		FEED CHANGE LINK A						1	
35	R	23518822	40083221	NEEDLE CAM						1	1.00
36		SS7111410TP		SCREW 11/64-40 L=14						3	
37		22536502		TIMING GAUGE E						1	
38		TA1470702R0		RUBBER PLUG						1	
39		26313700		NEEDLE CAM ROLLER SHAFT						2	
40		40064313		NEEDLE CAM ROLLER A	SELECTIVE PARTS					2	
41		40064314		NEEDLE CAM ROLLER B	SELECTIVE PARTS					2	
42		40064315		NEEDLE CAM ROLLER C	SELECTIVE PARTS					2	
43		40064316		NEEDLE CAM ROLLER D	SELECTIVE PARTS					2	
44	R	22585657	40125633	WORM WHEEL COMPL.						1	1.00
45		SS8660610TP		SCREW 1/4-40 L=6						4	
46		22527006		WORM A						1	

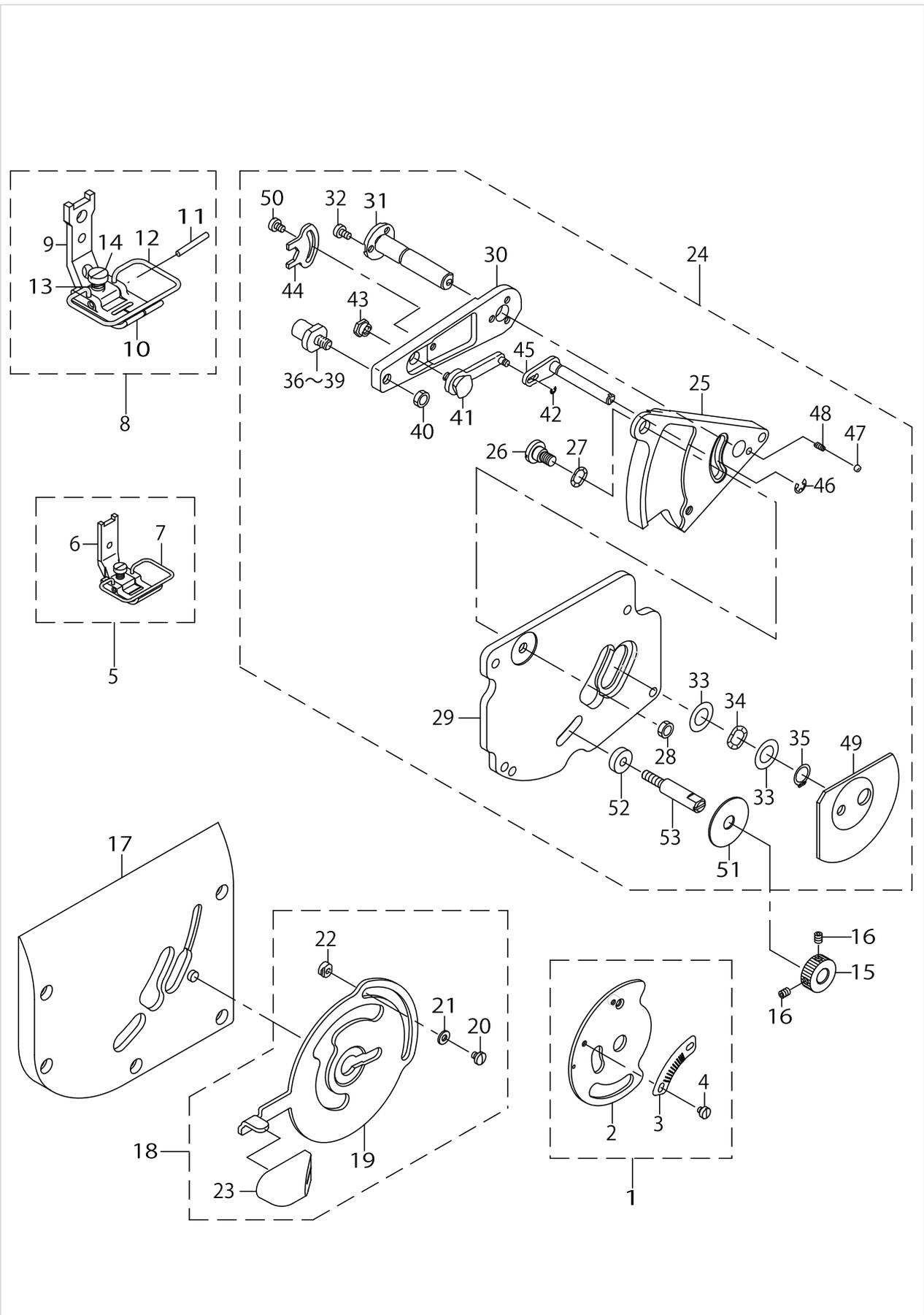
EXCLUSIVE PARTS FOR LZ-2284N(-7),LZ-2284C-7 (1)



EXCLUSIVE PARTS FOR LZ-2284N(-7),LZ-2284C-7 (1)

No.	Supply Code	Parts No.	Replacement	Parts name	Remarks	Choice	Step	Level	Cons	Qty	Rep. QTY
47		22527105		WORM B						1	
48		22527204		WORM C						1	
49		22527303		WORM D						1	
50		SS6110810TP		SCREW 11/64-40 L=8						1	
51		22582407		NEEDLE PLATE						1	
52		22581508		FEED DOG						1	
53		26315309		ARM SHAFT OIL PIPE						1	
54		TA2200502R0		RUBBER PLUG						1	
55		23519804		OIL SHIELD						1	
56		M6094350AAL		RESISTANCE PACK AL ASM.	FOR LZ-2284N-7					1	
57		M6094350AAF		RESISTANCE PACK AF ASM.	VARIOUS NOS.FOR DESTINATIONS					1	
58		40064317		NEEDLE CAM ROLLER E	SELECTIVE PARTS					2	
59		40064319		NEEDLE CAM ROLLER F	SELECTIVE PARTS					2	
60		40064320		NEEDLE CAM ROLLER G	SELECTIVE PARTS					2	

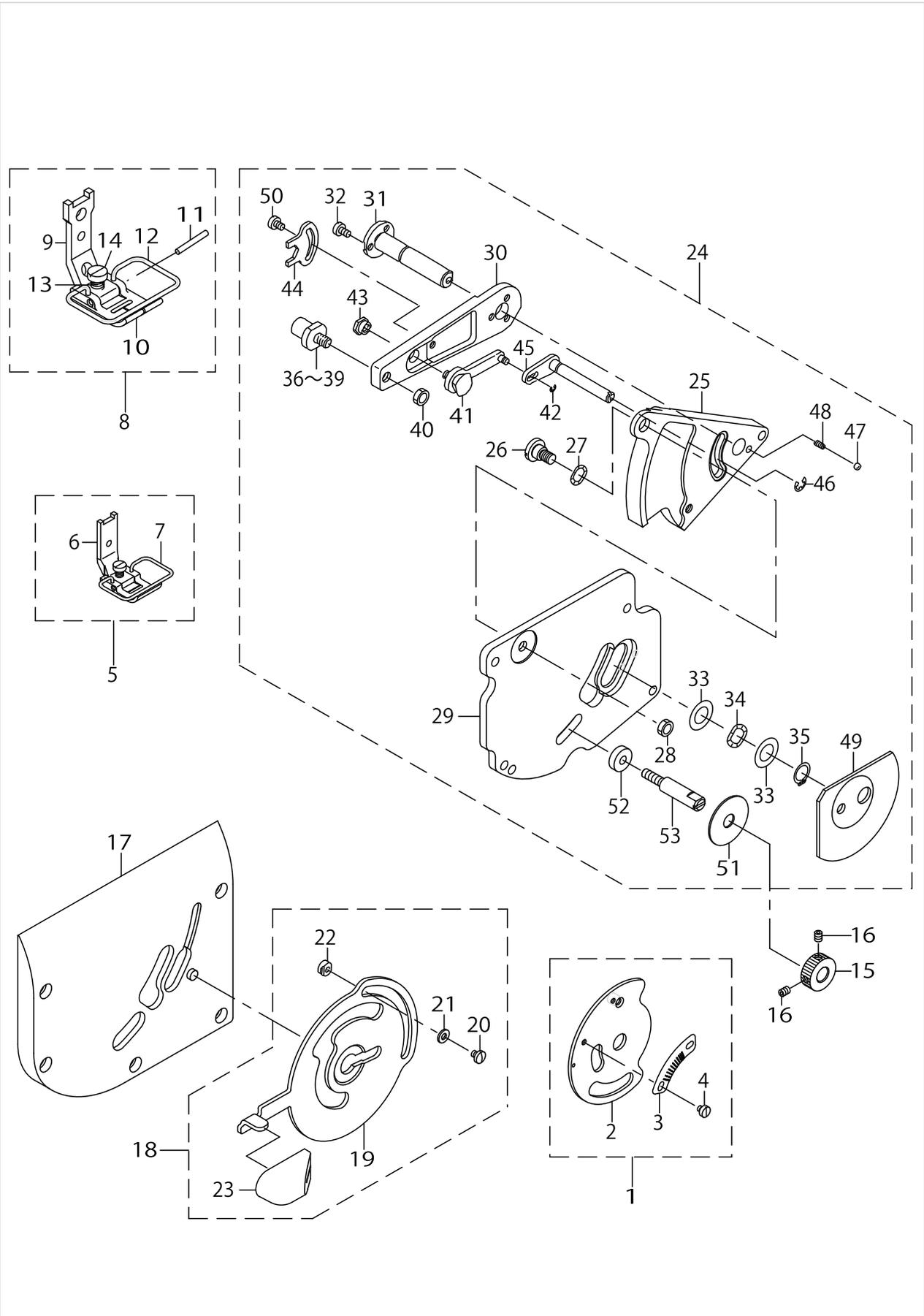
EXCLUSIVE PARTS FOR LZ-2284N(-7),LZ-2284C-7 (2)



EXCLUSIVE PARTS FOR LZ-2284N(-7),LZ-2284C-7 (2)

No.	Supply Code	Parts No.	Replacement	Parts name	Remarks	Choice	Step	Level	Cons	Qty	Rep. QTY
1		23521263		SWING WIDE GRADUATION ASM.						1	
2		23521255		FITTING PLATE COMPL.				*		1	
3		22586226		SWING WIDE GRADUATION				*		1	
4		SS6080320SP		SCREW 1/8-44 L= 2.5				*		2	
5		22580864		PRESSER ASM.						1	
6		10055051		PRESSER FOOT ASM.				*		1	
7		22580302		SAFETY COVER				*		1	
8		22584965		PRESSER FOOT ASM.						1	
9	R	22545206	22547558	PRESSER FOOT (UPPER)				*		1	1.00
10	R	22584908	22584965	PRESSER FOOT (LOWER)				*		1	1.00
11		10021103		PRESSER PIN				*		1	
12		22545404		SAFETY COVER				*		1	
13		B1525582000		SPRING				*		1	
14		SS6090810SP		SCREW 9/64-40 L= 7.5				*		1	
15		23521404		ADJUSTING PICK-UP						1	
16		SM8040502TP		SCREW M4X0.7 L=5						2	
17		22568356		SIDE COVER ASM.						1	
18		22573257		CHANGING LEVER ASM.						1	
19		22573208		NEEDLE POSITION CHANGE LEVER				*		1	
20		SS7090410SP		SCREW 9/64-40 L= 3.5				*		2	
21		WP0371016SD		WASHER 3.7X8X1				*		2	
22		10015907		LEVER STOPPER				*		2	
23		22512602		KNOB				*		1	
24		23521057		CHANGE BASE ASM.						1	
25		26319004		NEEDLE POSITION CHANGE BASE				*		1	
26		SD0800402TP		HINGE SCREW D= 8 H= 4				*		1	
27		WZ0850302K0		WAVED WASHER 8.5X12.5X0.3				*		3	
28		NS6150310SP		NUT 15/64-28				*		1	
29		23521107		CHANGE BASE FITTING PLATE				*		1	
30		26301507		ARM				*		1	
31		26307306		SHAFT				*		1	
32	R	SS6090620SP	SS6090620TP	SCREW 9/64-40 L=6				*		3	1.00
33		WP1020616SD		WASHER				*		2	
34		WZ1052010KP		WAVED WASHER				*		1	
35		RC0100001KP		SNAP RING M10				*		1	
36		10016517		SHAFT	SELECTIVE PARTS			*		1	
37		10016210		SHAFT	SELECTIVE PARTS			*		1	
38		10016319		SHAFT	SELECTIVE PARTS			*		1	
39		10016418		SHAFT	SELECTIVE PARTS			*		1	
40		NS6150310SP		NUT 15/64-28				*		1	
41		10017168		STOPPER ASM.				*		1	
42		RE0200000K0		E-RING				*		1	
43		10018000		NUT				*		1	
44		10018109		NUT STOPPER				*		1	
45		10015360		LEVER ASM.				*		1	
46		RE0400000K0		E-RING 4				*		1	

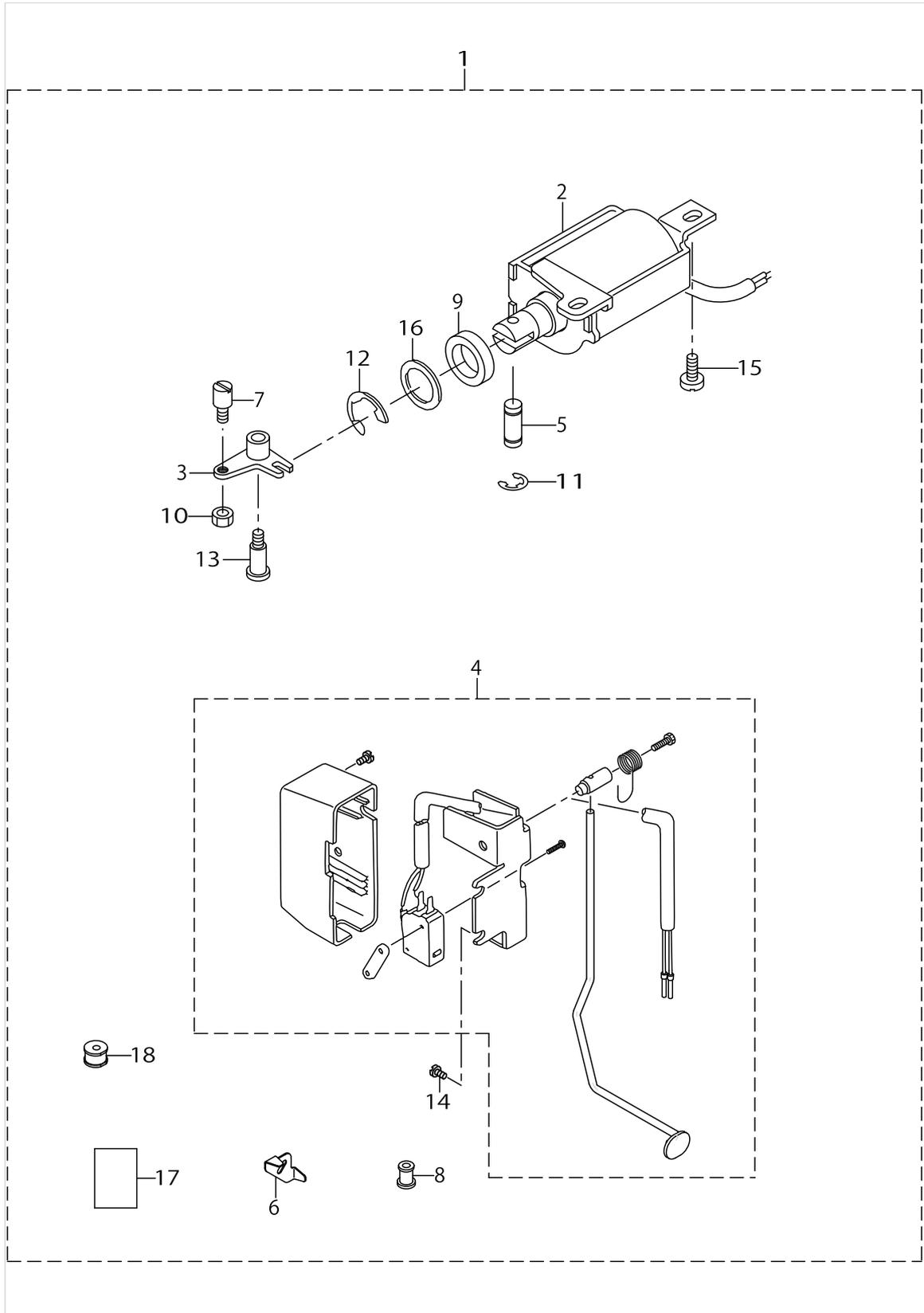
EXCLUSIVE PARTS FOR LZ-2284N(-7),LZ-2284C-7 (2)



EXCLUSIVE PARTS FOR LZ-2284N(-7),LZ-2284C-7 (2)

No.	Supply Code	Parts No.	Replacement	Parts name	Remarks	Choice	Step	Level	Cons	Qty	Rep. QTY
47		B2608761000		HAND STOP CRANK SHAFT BALL				*		1	
48		10017408		SPRING				*		1	
49		10017606		OIL SHIELD				*		1	
50		SS6090520SP		SCREW 9/64-40 L=5.0				*		1	
51		22573505		PACKING				*		1	
52	R	B1430761000	40009109	ROLLER				*		1	1.00
53		23521305		ADJUSTING PICK-UP SCREW				*		1	

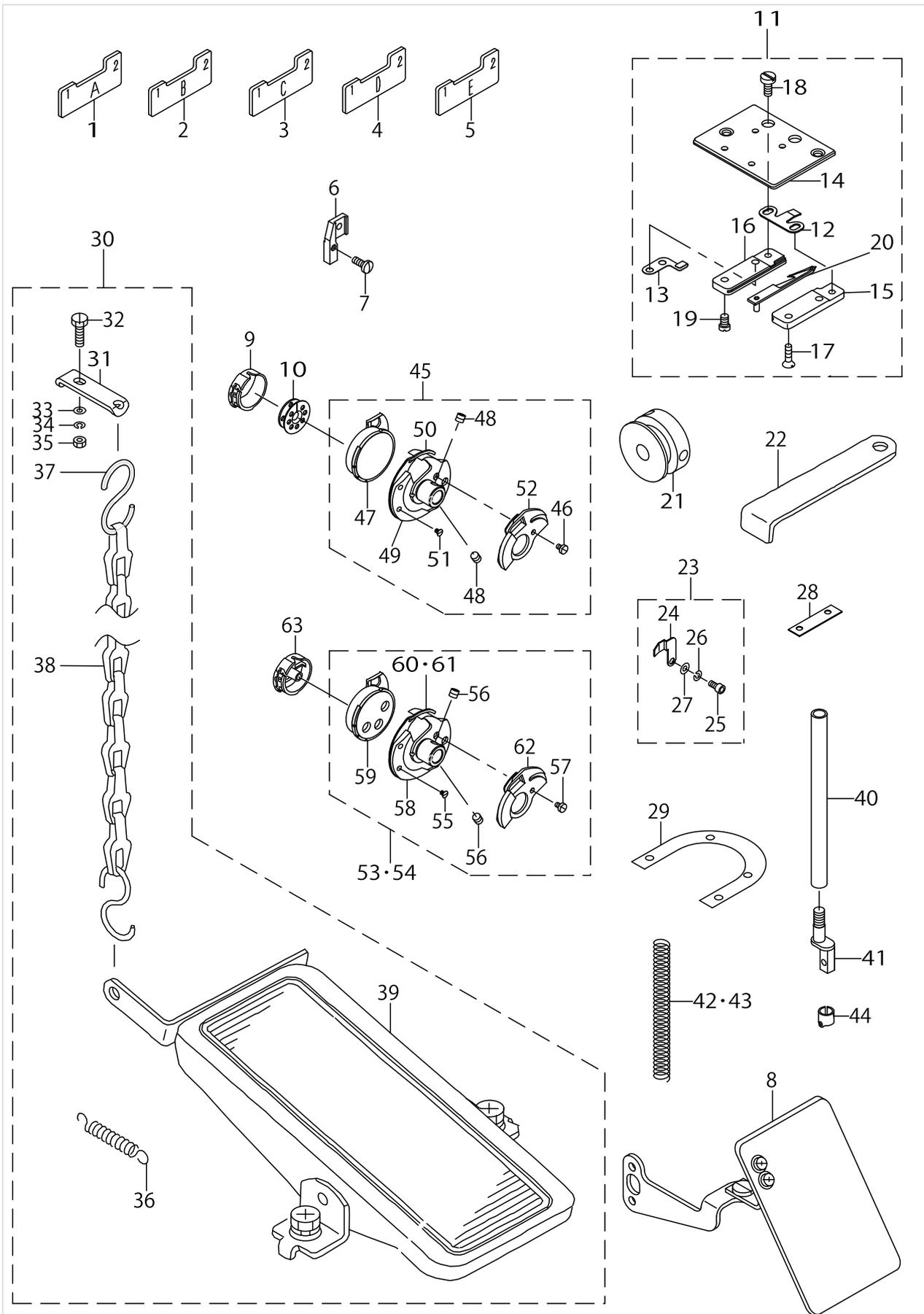
SPECIAL ORDER PARTS FOR LZ-2280N,2281N,2284N,2286N,2288N



SPECIAL ORDER PARTS FOR LZ-2280N,2281N,2284N,2286N,2288N

No.	Supply Code	Parts No.	Replacement	Parts name	Remarks	Choice	Step	Level	Cons	Qty	Rep. QTY
1		22561559		AUTOMATIC BACK MACHINE						1	
2	R	22559058	40108060	MAGNET ASM.				*		1	1.00
3		22544159		REVERSE FEED MAGNET LINK				*		1	
4		22559850		REVERSE FEED SWITCH				*		1	
5	R	11101003	22953509	PLUNGER ARM PIN				*		1	1.00
6	R	11102605	22954705	CORD HOLDER				*		1	1.00
7		B1213372000		SCREW				*		1	
8		D2467555B00		RUBBER PLUG				*		2	
9		D2468555B00		RUBBER PLUNGER				*		1	
10		NS6150310SP		NUT 15/64-28				*		1	
11		RE0400000K0		E-RING 4				*		2	
12		RE1200000K0		E-RING 12				*		1	
13		SD0791503SP		HINGE SCREW D=7.94 H=15				*		1	
14		SS4120615SP		SCREW 3/16-28 L=6				*		2	
15		SS4150915SP		SCREW 15/64-28 L=9				*		2	
16		WP1602616SZ		WASHER 16X24X2.6				*		1	
17		29141900		INSTRUCTION MANUAL				*		1	
18		11030202		RUBBER BUSHING				*		1	

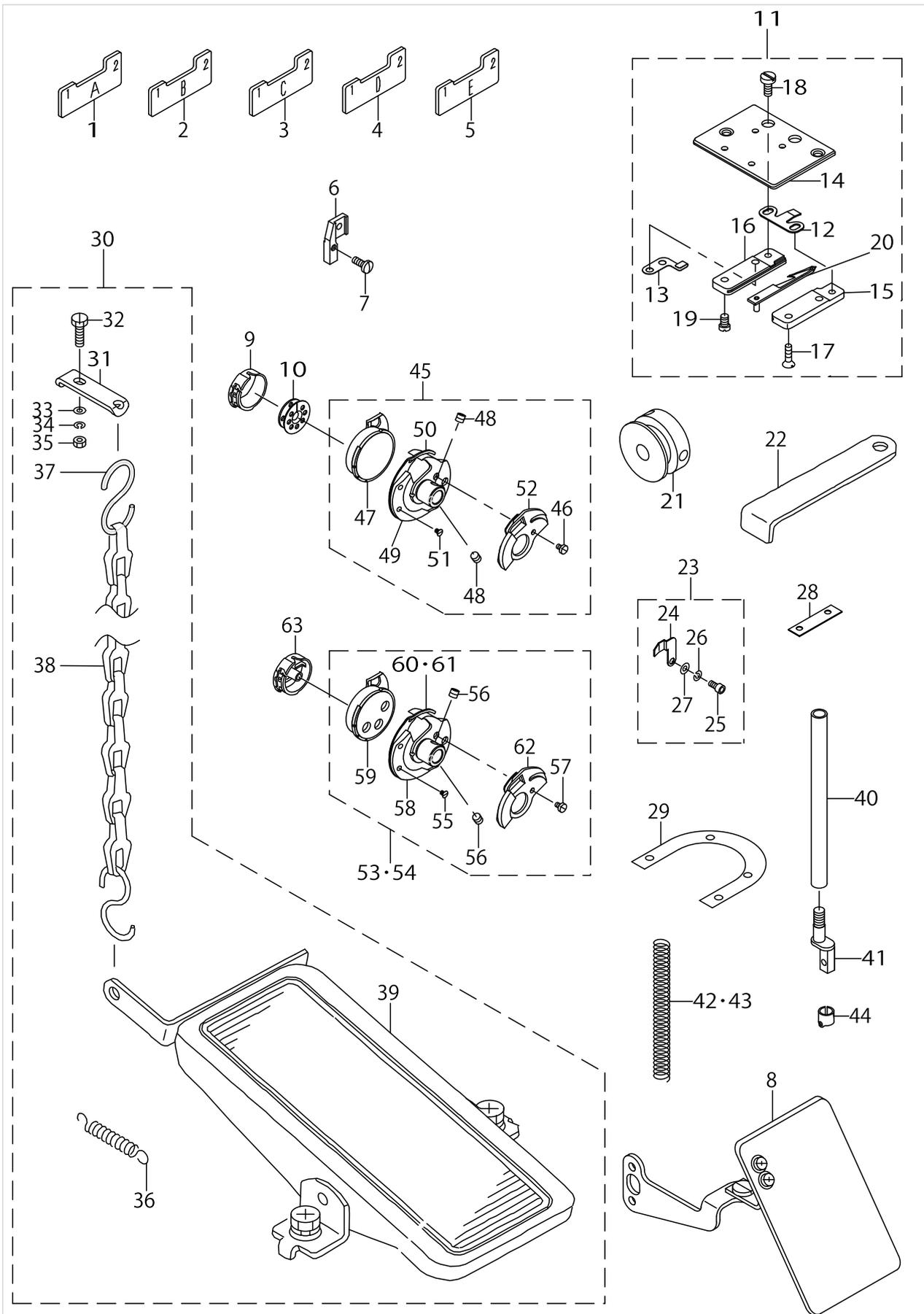
SPECIAL ORDER PARTS FOR LZ-2280N SERIES



SPECIAL ORDER PARTS FOR LZ-2280N SERIES

No.	Supply Code	Parts No.	Replacement	Parts name	Remarks	Choice	Step	Level	Cons	Qty	Rep. QTY
1	D	22535801		TIMING GAUGE						1	
2		22586705		TIMING GAUGE						1	
3	D	22535900		TIMMING GAUGE, RIGHT						1	
4		22536403		TIMMING GAUG D						1	
5		22536502		TIMING GAUGE E						1	
6		B1551586000		PRESSER FOOT JOINT						1	
7	R	SS7090910SP	SS7090910TP	SCREW 9/64-40 L=8.5						1	1.00
8		22503353		SAFETY PLATE ASM.						1	
9		23522550		NOT TURN BOBBIN CASE ASM.						1	
10		23523004		NOT TURN BOBBIN						1	
11		22556054		KNIFE UNIT						1	
12		22556302		FIXED KNIFE				*		1	
13		22556450		CLAMP PLATE ASM.				*		1	
14		22556609		SLIDING PLATE				*		1	
15		22556708		DRIVING BASE				*		1	
16		22556807		DRIVING BASE				*		1	
17		SS1090510SP		SCREW 9/64-40 L=5				*		2	
18		SS6090420SP		SCREW 9/64-40 L=4.0				*		2	
19		SS7090710SP		SCREW 9/64-40 L=6.8				*		2	
20		22556153		DRIVING KNIFE ASM.				*		1	
21	D	22555403		THREAD CUTTING CAM						1	
22		B9101490000		DRIVER						1	
23		22525455		NEEDLE HOLDER ASM.						1	
24		22525406		NEEDLE GUARD				*		1	
25		SM6030602TP		SCREW M3X0.5 L=6				*		1	
26		WS0310702KS		SPRING WASHER				*		1	
27		WP0320500SC		WASHER M3				*		2	
28		10025906		SPACER						1	
29		22503908		SPACER						1	
30		GRF010000B0		RF-1 BACK STITCH DEVICE ASM.						1	
31	D	GRF01001000		PLATE				*		1	
32		SS9111510SP		SCREW 11/64-40 L=15				*		1	
33		WP0501016SD		WASHER 5X10.5X1				*		1	
34		WS0441040KP		SPRING WASHER 4.4X7.4X1				*		1	
35		NS6110420SP		NUT 11/64-40				*		1	
36	D	MAT80117S00		SPRING				*		1	
37	R	B8133019000	13160304	S SHAPED HOOK				*		2	1.00
38	R	B8131019000	26037903	CHAIN				*		1	1.00
39		11960853		PEDAL ASM.				*		1	
40		D1501583H00		PRESSER BAR						1	
41		D1502583H00		PRESSER BAR						1	
42	R	B150522700A	B1505227T00A	PRESSER ADJUSTING SPRING		B	B:Japan			1	1.00
42	R	B150522700A	11162104	PRESSER ADJUSTING SPRING		C	C:自由選択- 品/C:Free choice parts			1	1.00
42	R	B150522700A	22907406	PRESSER ADJUSTING SPRING						1	1.00
43		11162104		SPRING						1	

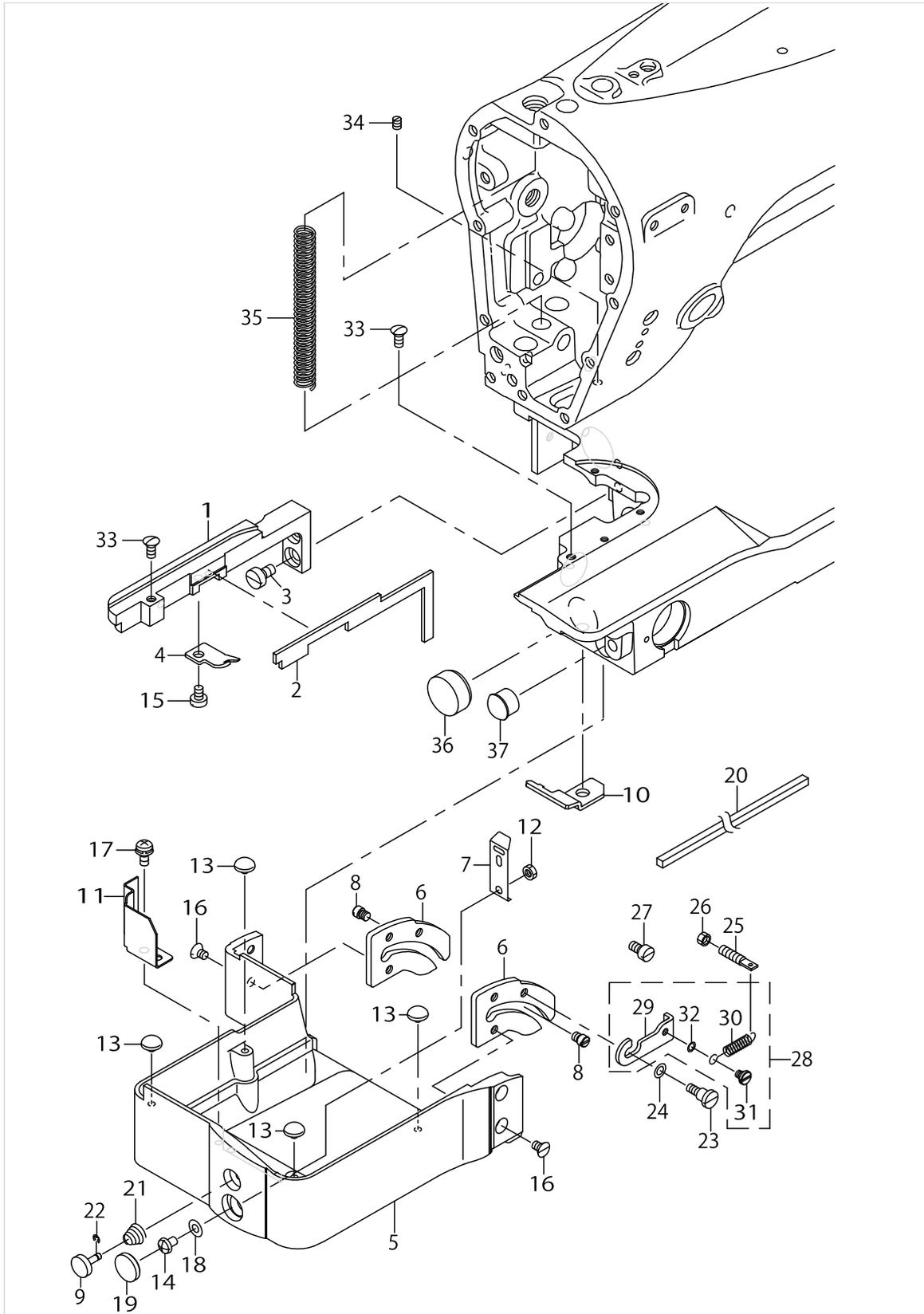
SPECIAL ORDER PARTS FOR LZ-2280N SERIES



SPECIAL ORDER PARTS FOR LZ-2280N SERIES

No.	Supply Code	Parts No.	Replacement	Parts name	Remarks	Choice	Step	Level	Cons	Qty	Rep. QTY
44		22507701		THRED RACK, RIGHT						1	
45		23523152		NOT TURN BOBBIN HOOK COMPL. V						1	
46		10033108		HOOK COUNTER BALANCE SCREW				*		1	
47		22526008		INNER HOOK V				*		1	
48		SS8110422TP		SCREW 11/64-40 L=4				*		2	
49	R	22525919	22525968	OUTER HOOK V				*		1	1.00
50		23503501		INNER HOOK PRESSER V-S				*		1	
51		10033009		HOOK GIB SCREW				*		2	
52		23523202		NOT TURN BOBBIN INNER HOOK V				*		1	
53		23503659		HOOK COMPL. S	FOR INNER HOOK S					1	
54		23502958		HOOK CONNECTIONK	FOR INNER HOOK K					1	
55		23504103		INNER HOOK PRESSER SETSCREW S				*		3	
56		23504301		OUTER HOOK SETSCREW S				*		2	
57		23504400		HOOK COUNTER BALANCE SCREW S				*		1	
58	R	23503709	23503659	OUTER HOOK S		A		*		1	1.00
58	R	23503709	23502958	OUTER HOOK S		B		*		1	1.00
59		23503808		INNER HOOK S				*		1	
60		23503907		INNER HOOK PRESSER S	FOR INNER HOOK S			*		1	
61		23503006		INNER HOOK PRESSER K	FOR INNER HOOK K			*		1	
62		23504004		BACK PLATE S				*		1	
63		23504657		BOBBIN CASE WITH SPRING						1	

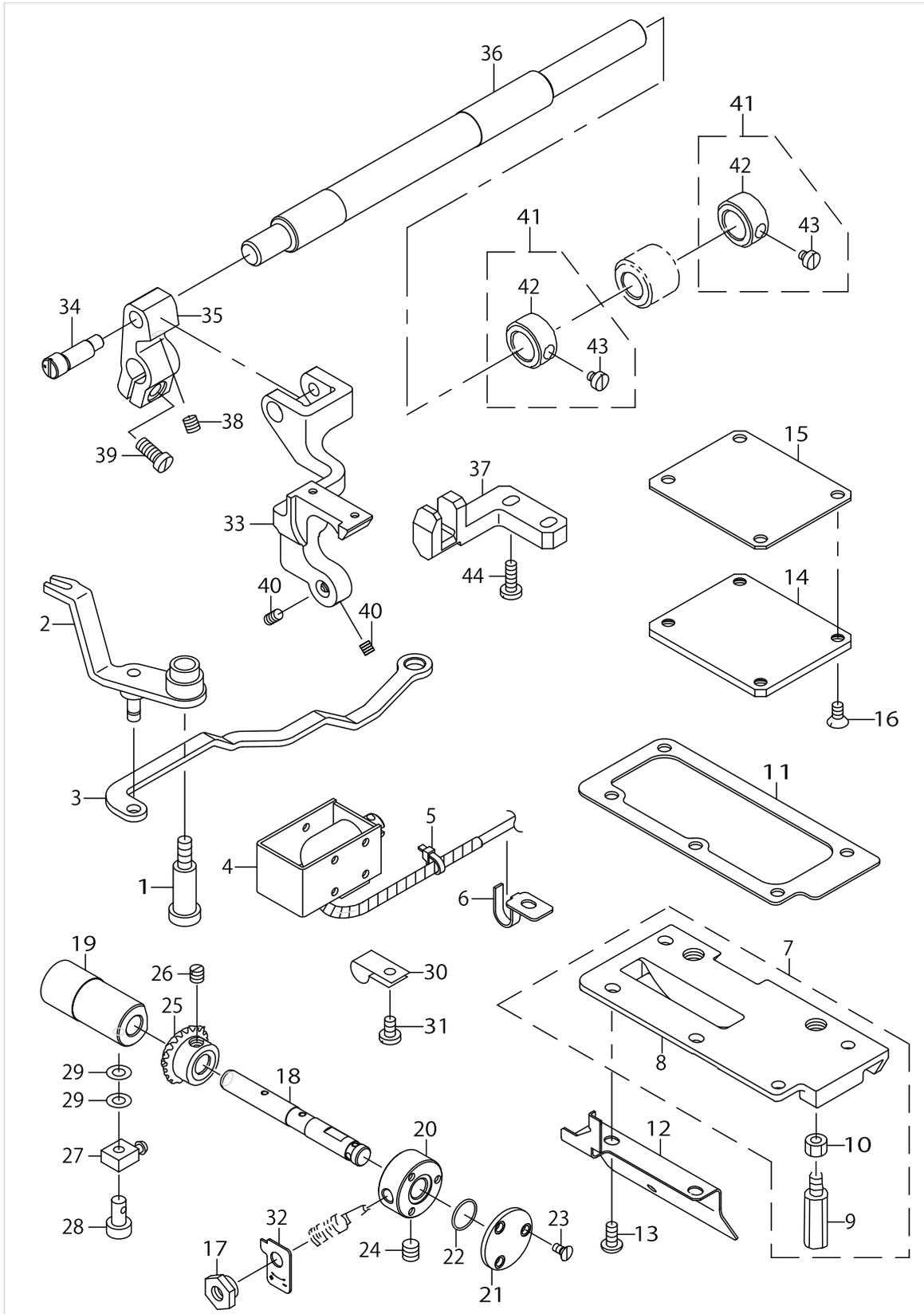
EXCLUSIVE PARTS FOR LZ-2284C-7 (1)



EXCLUSIVE PARTS FOR LZ-2284C-7 (1)

No.	Supply Code	Parts No.	Replacement	Parts name	Remarks	Choice	Step	Level	Cons	Qty	Rep. QTY
1		40005484		NEEDLE PLATE SUPPORT						1	
2		40005485		OIL RETURN FELT						1	
3		SS6120940SP		SCREW 3/16-28 L=9						2	
4		40005505		INNER HOOK STOPPER						1	
5		40005487		HOOK COVER						1	
6		40005488		HOOK COVER GUIDE						2	
7	R	40005489	40013309	HOOKCOVERSPRING		A				1	1.00
7	R	40005489	40013310	HOOKCOVERSPRING		A				1	1.00
8		40005490		HOOK COVER GUIDE PIN						4	
9		40005491		HOOK COVER BUTTON						1	
10	R	40005493	40013310	HOOK COVER STOPPER		A				1	1.00
10	R	40005493	40013309	HOOK COVER STOPPER		A				1	1.00
11		40005494		OIL SHIELD PLATE						1	
12		NM6040003SC		NUT M4						1	
13		B8226WP1000		FRAME RUBBER CUSHION						4	
14		SM5040655SN		SCREW						1	
15		SS6110610TP		SCREW 11/64-40 L=6						1	
16		SS1110640TP		SCREW 11/64-40 L= 5.5						4	
17		SL4040681SC		COMBINATION SCREW M4 X 8						1	
18		WP0430801SC		WASHER 4.3X9X0.8						1	
19		TA1450302R0		RUBBER PLUG						1	
20		B3541012000		OIL WICK						.25	
21		11093606		THREAD TENSION SPRING						1	
22		RE0200000K0		E-RING						1	
23		SD0550212TP		HINGE SCREW D=5.5 H=2.1						1	
24		WP0450846SP		WASHER						1	
25		B2561205000A		SCREW						1	
26		NS6110310SP		NUT 11/64-40						1	
27		B1536804000		PIN						1	
28		40005517		HOOK COVER GUIDE STOPPER ASM.	ACCESSORIE PART					1	
29		40005492		HOOK COVER GUIDE STOPPER				*		1	
30		40005516		TENSION SPRING				*		1	
31		SD0460182SP		HINGE SCREW D= 4.6 H= 1.8				*		1	
32		WP0360516SD		WASHER M3				*		1	
33		SS2110920TP		SCREW 11/64-40 L=8.5						2	
34		SS8110520TP		SCREW 11/64-40 L= 4.5	ACCESSORIE PART					1	
35		22907406		PRESSER SPRING						1	
36		TA2101002R0		RUBBER PLUG						1	
37		TA1250804R0		RUBBER PLUG						1	

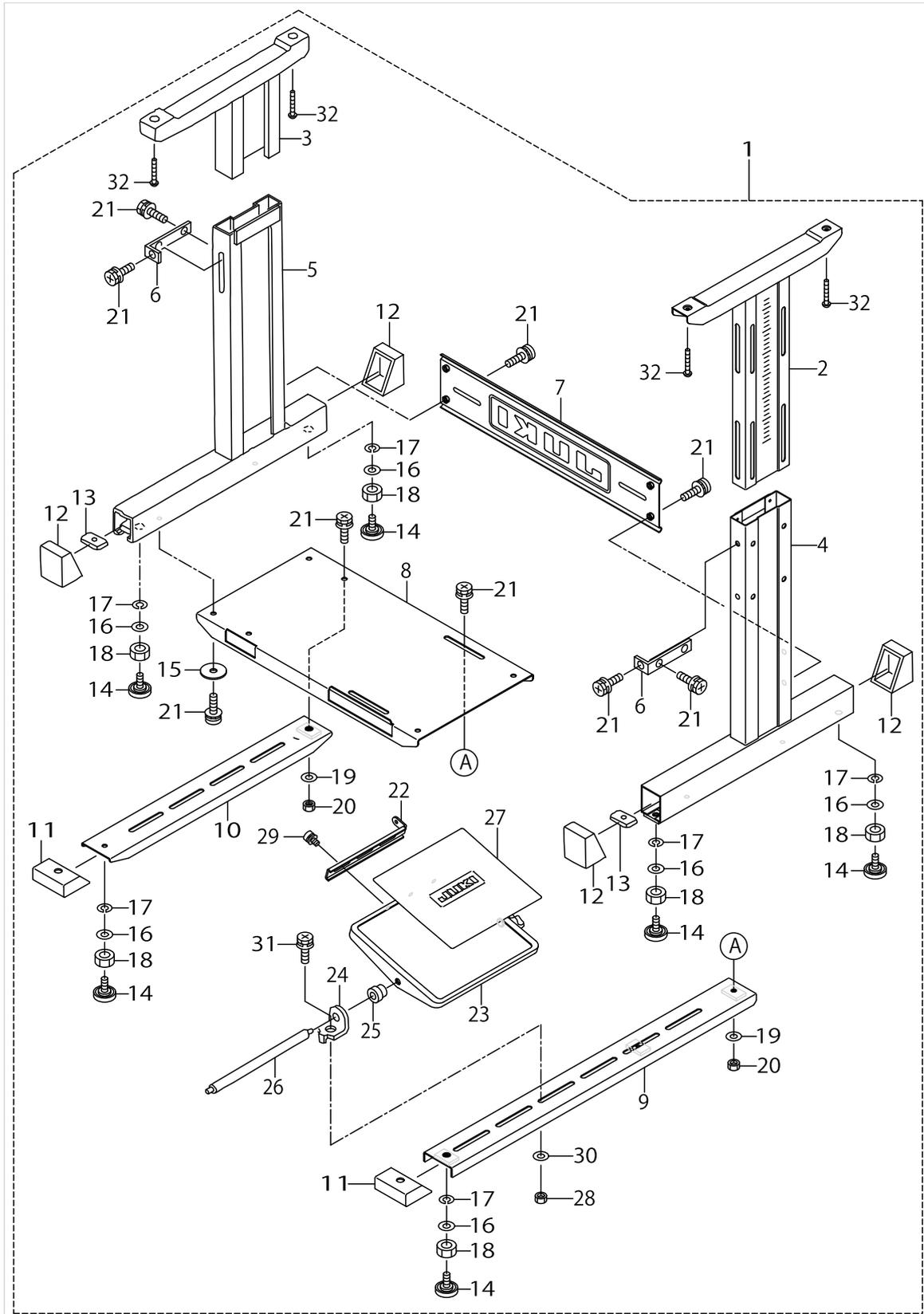
EXCLUSIVE PARTS FOR LZ-2284C-7 (2)



EXCLUSIVE PARTS FOR LZ-2284C-7 (2)

No.	Supply Code	Parts No.	Replacement	Parts name	Remarks	Choice	Step	Level	Cons	Qty	Rep. QTY
1		SD0791501SP		HINGE SCREW D= 7.94 H=15.0						1	
2		40005508		KNIFE BRANCH ASM.						1	
3		40005507		MOVING KNIFE LINK						1	
4	R	40005512	40106079	THREAD CUTTING MAGNET						1	1.00
5		EA9500B0100		CABLE BAND						1	
6	R	B3523980000	26231902	OIL WICK PIPE STOPPER	VARIOUS NOS. FOR DESTINATIONS					1	1.00
7		40005477		DRIVING GEAR BOX COVER ASM.						1	
8		40005478		DRIVING GEAR BOX COVER				*		1	
9		10100410		BED SCREW STUD				*		2	
10		NS6700420SP		NUT 5/16-24				*		2	
11		40005480		DRIVING GEAR BOX COVER PACKING						1	
12		40005481		OIL SHIELD PLATE						1	
13		SS4110915SP		SCREW 11/64-40 L=9						5	
14		40005482		BEVEL GEAR BOX COVER						1	
15		40005483		BEVEL GEAR BOX COVER PACKING						1	
16		SS1110840SP		SCREW 11/64-40 L=8						4	
17	R	13521000	26227702	NUT						1	1.00
18		40043054		HOOK SHAFT						1	
19		40043055		HOOK SHAFT BUSHING						1	
20		40005503		HOOK SHAFT METAL (B)						1	
21		40005504		HOOK SHAFT METAL (B) COVER						1	
22		RO110090100		RUBBER RING						1	
23		SS1080620SP		SCREW 1/8-44 L=6						3	
24		SM8060602TP		SCREW M6X6						1	
25		40005506		HOOK DRIVING BEVEL GEAR (B)						1	
26		SM8050500SP		SCREW						2	
27		SQ0000401MZ		CONNECTING SCREW						1	
28		B3525357000		CONNECTING SCREW (B)						1	
29		B3534012000		GASKET						2	
30		B3536122000		HOLDER						1	
31		SS7110710SP		SCREW 11/64-40 L=7						1	
32		40005515		INDICATION PLATE						1	
33		40005496		FEED BASE						1	
34		40005497		FEED BASE SHAFT						1	
35		40005498		FEED BASE ARM						1	
36		40005499		HORIZONTAL FEED SHAFT						1	
37		40005500		FEED BASE GUIDE						1	
38		SM8050610TP		SCREW M5 L=6						1	
39		SM6051200TP		SCREW M5 L=12						1	
40		SM8040510TP		SCREW M4 L=5						2	
41		CS1111010SH		THRUST COLLAR A-SM. D=11.11 W=1						2	
42		CS1111019SH		THRUST COLLAR D=11.11 W=10				*		2	
43		SS6660710TP		SCREW 1/4-40 L=7				*		2	
44		SS7111120TP		SCREW						2	

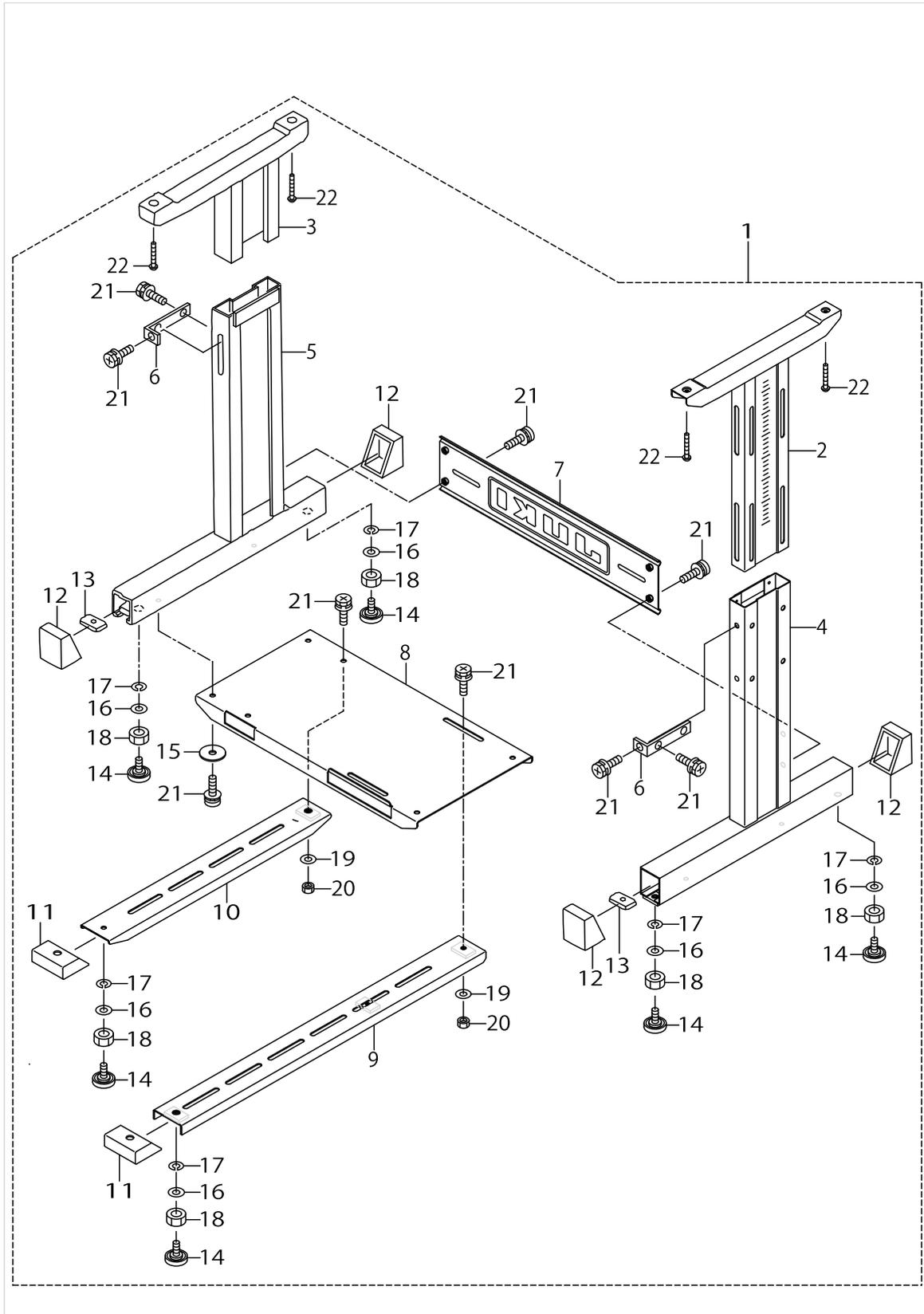
EXCLUSIVE PARTS FOR LZ-2284C-7 (3) (TABLE COMPONENTS/JT-Z710)



EXCLUSIVE PARTS FOR LZ-2284C-7 (3) (TABLE COMPONENTS/JT-Z710)

No.	Supply Code	Parts No.	Replacement	Parts name	Remarks	Choice	Step	Level	Cons	Qty	Rep. QTY
1		40005530		T-STAND ASM.						1	
2		14118152		UPPER STAND ASM.,RIGHT				*		1	
3		B8101210AAB		UPPER STAND ASM.				*		1	
4		14118251		STAND ASM.,RIGHT				*		1	
5		B8105210AAA		STAND ASM.				*		1	
6		11158516		UPPERSTANDPLATE				*		2	
7		D8308205K0A		STAND SIDE SUPPORT				*		1	
8		40005535		STAND SIDE SUPPORT				*		1	
9		40005536		PEDAL SUPPORT BASE				*		1	
10		40005538		STAND SUPPORT				*		1	
11		40005539		PEDAL SUPPORT BASE CAP				*		2	
12		11158607		RUBBER CAP				*		4	
13		B8112552000		LEG BOTTOM SUPPORT BRACKET				*		4	
14		B81085550A0		ADJUSTING SCREW ASM. WITH CAP				*		6	
15		G5514116000		WASHER D=30				*		4	
16		WP1302501SE		WASHER M12				*		6	
17		WS1253010KN		SPRING WASHER 12.5X21.5X3				*		6	
18		ST9053511SR		TAPPING SCREW M5X35				*		4	
19		WP0871602SE		WASHER 8.7X18X1.6				*		2	
20		NM6080001SE		NUT M8				*		2	
21		SL9082091SE		WASHER HEXAGONAL BOLT				*		18	
22		11158706		PEDAL ADJUSTING PLATE				*		1	
23		11158805		PEDAL				*		1	
24		11159001		PEDAL SHAFT BRACKET				*		2	
25		D8113555B00		PEDAL BUSHING				*		2	
26		D8115555B00		PEDAL SHAFT				*		1	
27		11158904		PEDAL MAT				*		1	
28		NM6080001SE		NUT M8				*		2	
29		SL9061291SE		WASHER HEXAGON- AL BOLT M6 L=12				*		2	
30		WP0871602SE		WASHER 8.7X18X1.6				*		2	
31		SL9082091SE		WASHER HEXAGONAL BOLT				*		2	
32		ST9053511SR		TAPPING SCREW M5X35				*		4	

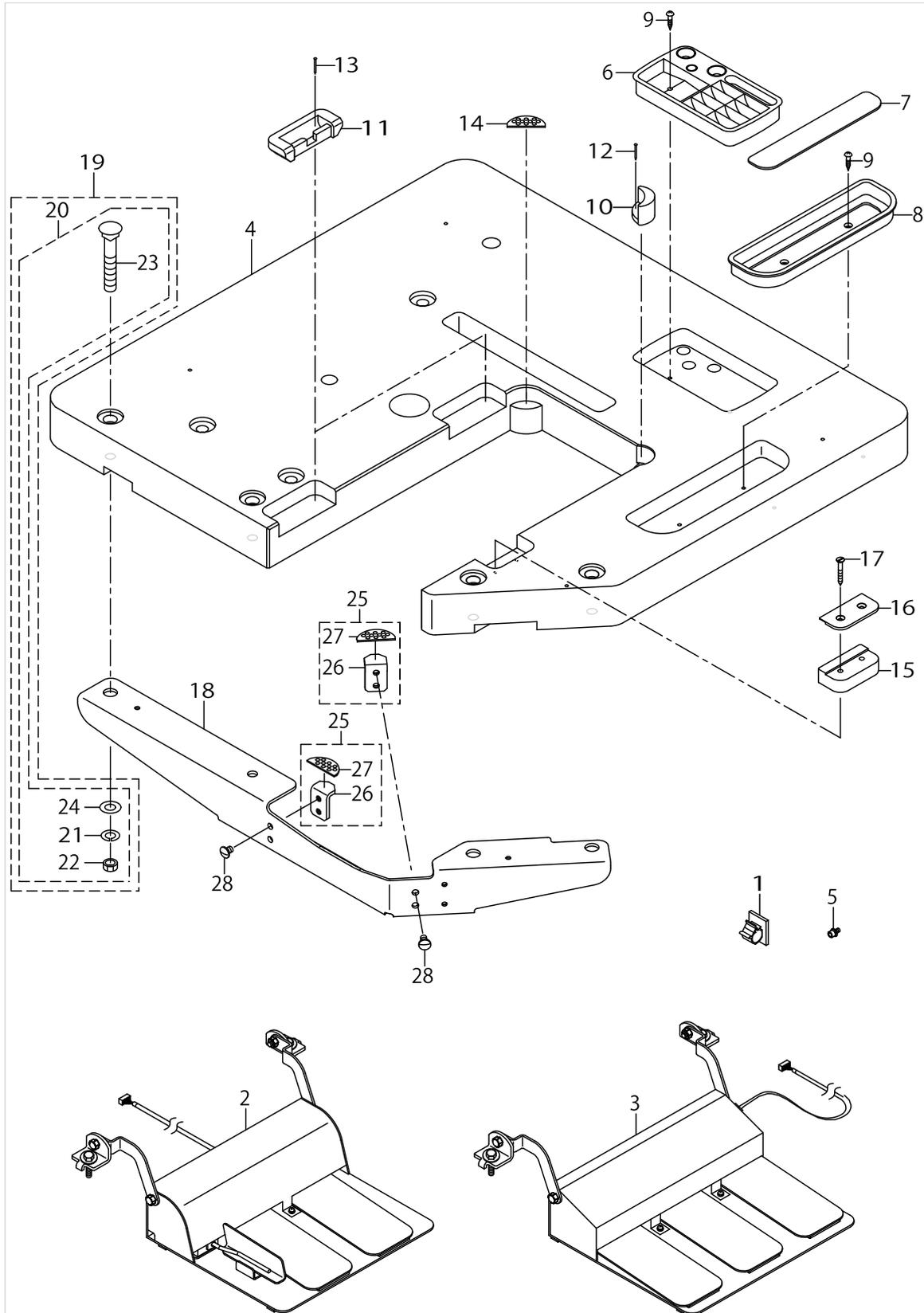
EXCLUSIVE PARTS FOR LZ-2284C-7 (4) (TABLE COMPONENTS/JT-Z71A,JT-Z71B)



EXCLUSIVE PARTS FOR LZ-2284C-7 (4) (TABLE COMPONENTS/JT-Z71A,JT-Z71B)

No.	Supply Code	Parts No.	Replacement	Parts name	Remarks	Choice	Step	Level	Cons	Qty	Rep. QTY
1		40005537		T-STAND ASM.						1	
2		14118152		UPPER STAND ASM.,RIGHT				*		1	
3		B8101210AAB		UPPER STAND ASM.				*		1	
4		14118251		STAND ASM.,RIGHT				*		1	
5		B8105210AAA		STAND ASM.				*		1	
6		11158516		UPPERSTANDPLATE				*		2	
7		D8308205K0A		STAND SIDE SUPPORT				*		1	
8		40005535		STAND SIDE SUPPORT				*		1	
9		40005536		PEDAL SUPPORT BASE				*		1	
10		40005538		STAND SUPPORT				*		1	
11		40005539		PEDAL SUPPORT BASE CAP				*		2	
12		11158607		RUBBER CAP				*		4	
13		B8112552000		LEG BOTTOM SUPPORT BRACKET				*		4	
14		B81085550A0		ADJUSTING SCREW ASM. WITH CAP				*		6	
15		G5514116000		WASHER D=30				*		4	
16		WP1302501SE		WASHER M12				*		6	
17		WS1253010KN		SPRING WASHER 12.5X21.5X3				*		6	
18		ST9053511SR		TAPPING SCREW M5X35				*		4	
19		WP0871602SE		WASHER 8.7X18X1.6				*		2	
20		NM6080001SE		NUT M8				*		2	
21		SL9082091SE		WASHER HEXAGONAL BOLT				*		18	
22		ST9053511SR		TAPPING SCREW M5X35				*		4	

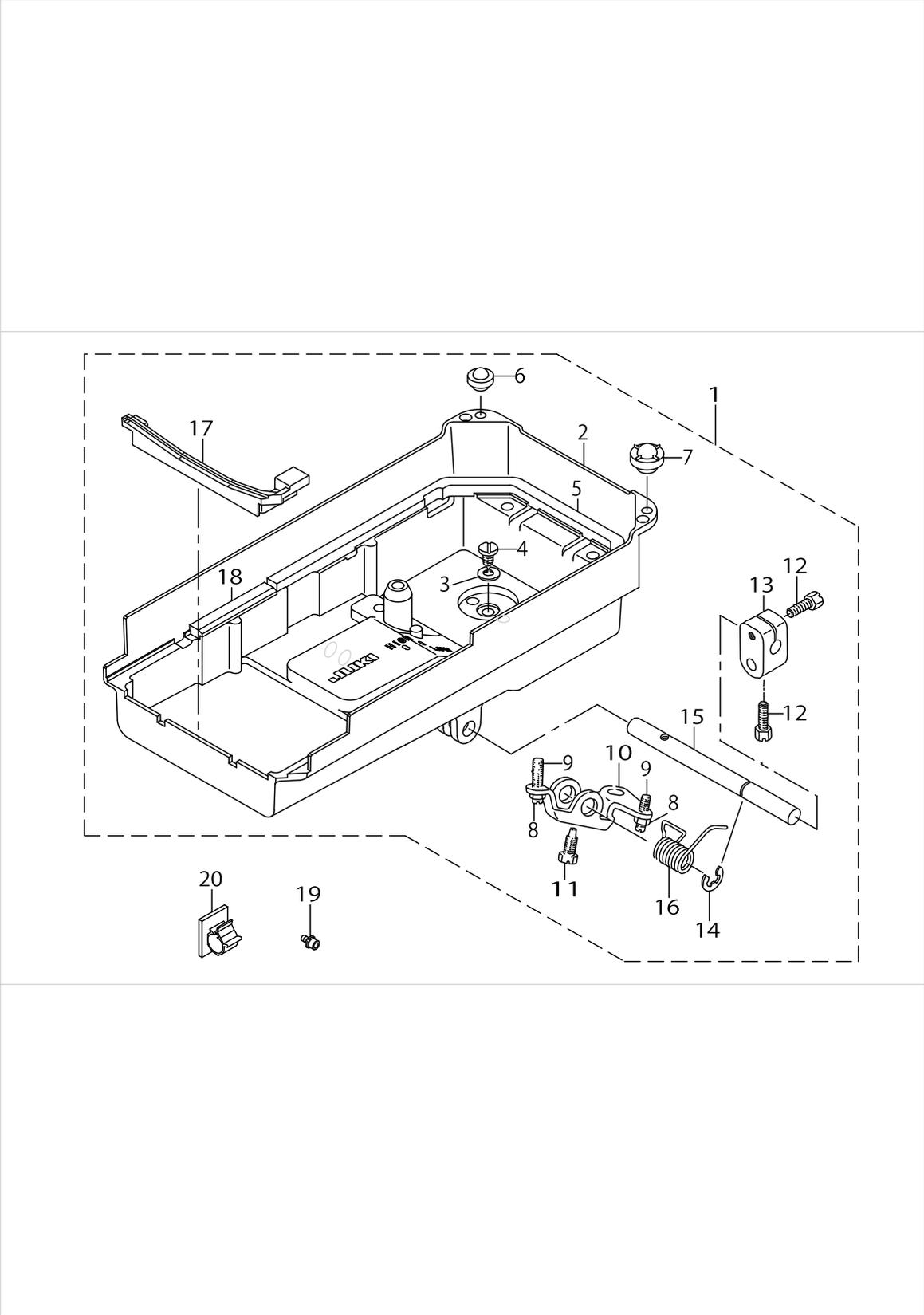
EXCLUSIVE PARTS FOR LZ-2284C-7 (5)



EXCLUSIVE PARTS FOR LZ-2284C-7 (5)

No.	Supply Code	Parts No.	Replacement	Parts name	Remarks	Choice	Step	Level	Cons	Qty	Rep. QTY
1		E9608603000		STICKER (MIDDLE)	AT THE TIME OF DELIVERY OF COMPLETE SET WITH TABLE STAND ONLY.					1	
2		GPK710010A0		2-PEDAL ASM., 71	FOR JT-Z71B					1	
3		GPK700010A0		3-JOINT PEDAL, 70	FOR JT-Z71A					1	
4		40005531		TABLE						1	
5		SL6040892TN		BOLT	AT THE TIME OF DELIVERY OF COMPLETE SET WITH TABLE STAND ONLY.					8	
6		11155751		CASE ASM. B						1	
7		11155801		CASE MAGNET						1	
8		11156007		CASE						1	
9		SK3382001SC		WOOD SCREW D=3.8 L=20						4	
10		11076007		FRAME RUBBER CUSHION						1	
11		11075801		RUBBER SPACER						2	
12		B8210012000		CUSHION SET NAIL						2	
13		B8210012000		CUSHION SET NAIL						4	
14		D8226555E00		FRAME RUBBER CUSHION A						1	
15		GAW02560000		BED FIXING RUBBER						1	
16		GAW02561000		BED FIXING RUBBER PRESSER						1	
17		SK1413200SC		WOOD SCREW D=4.1 L=32						2	
18		40005532		TABLE SUPPORT						1	
19		13155064		REPUTATION PLATE BOLT ASM.						1	
20		13155056		BOLT SET A				*		4	
21		WS1002560KR		SPRING WASHER 10X18X2.5				*		4	
22		NS6240630SE		NUT 3/8-18				*		4	
23		13155007		HOLDING PLATE BOLT				*		4	
24		WP1002036SE		WASHER 10X21X2				*		4	
25		40005533		OIL RESERVOIR HOLDER ASM.						2	
26	R	40005534	40005533	OIL RESERVOIR HOLDER				*		2	1.00
27		D8226555E00		FRAME RUBBER CUSHION A				*		2	
28		SM0060801SA		SCREW						4	

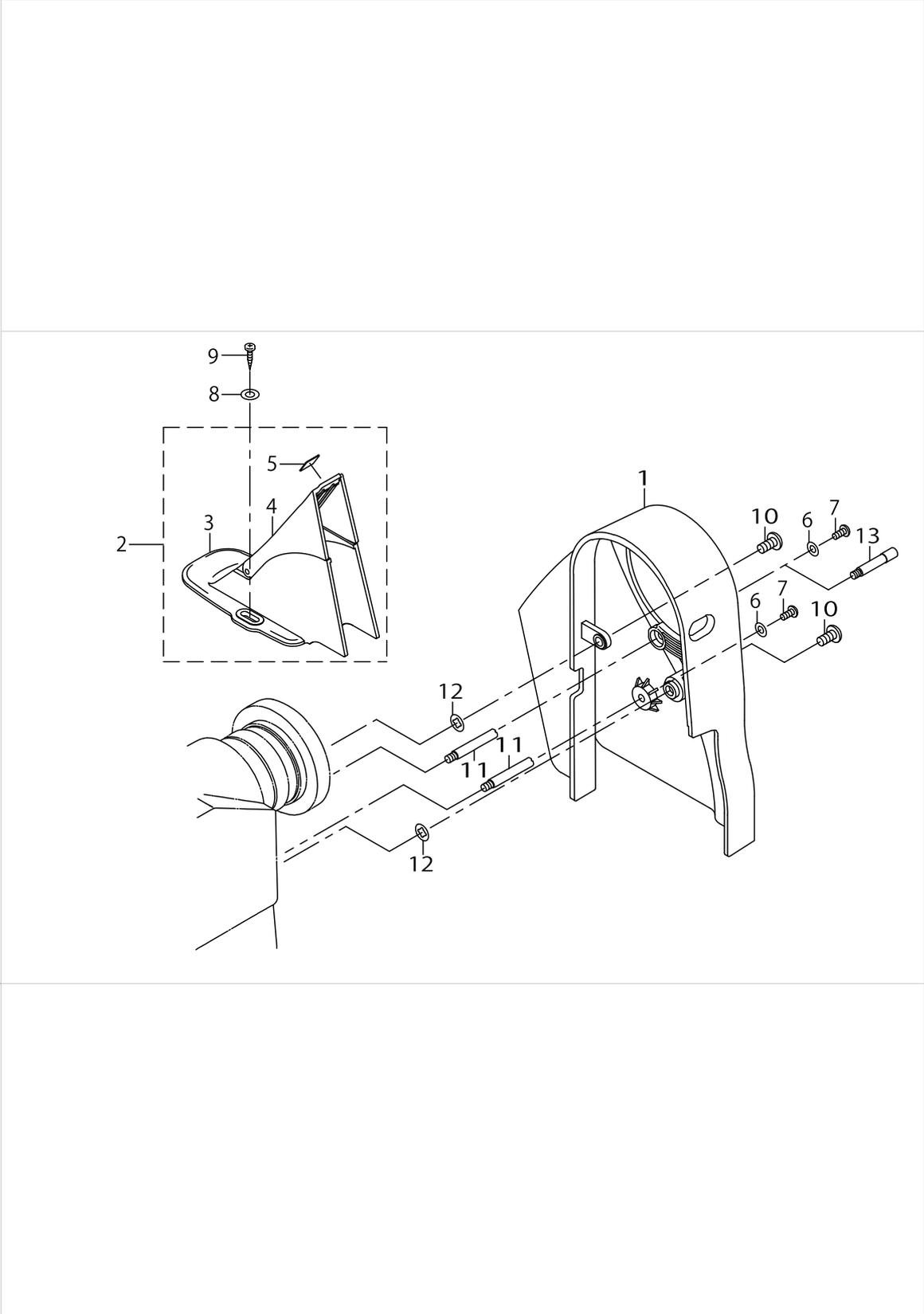
EXCLUSIVE PARTS FOR LZ-2284C-7 (6) (ACCESSORIES PARTS COMPONENTS)



EXCLUSIVE PARTS FOR LZ-2284C-7 (6) (ACCESSORIES PARTS COMPONENTS)

No.	Supply Code	Parts No.	Replacement	Parts name	Remarks	Choice	Step	Level	Cons	Qty	Rep. QTY
1		40005520		OIL RESERVOIR ASM.						1	
2		40005521		OIL RESERVOIR				*		1	
3		RO098240100		RUBBER RING				*		1	
4		SM0081001SD		SCREW				*		1	
5		10038107		OIL RESERVOIR GASKET				*		1	
6		11047107		RUBBER CUSHION				*		1	
7		B1116210D00		FRAME SUPPORT RUBBER				*		1	
8		NM6060001SE		NUT M6				*		2	
9		SM8063012TR		SCREW M6 L=30				*		2	
10	R	11024015	22932156	CONNECTING ROT, VERTICAL				*		1	1.00
11		SM9061853SR		SCREW M6 L=17.5				*		1	
12	R	SM9062053SR	22934707	SCREW M6 L=20				*		2	1.00
13	R	11024510	22932453	BRACKET				*		1	1.00
14		RE1000000K0		E-RING 10				*		1	
15	R	11024205	22932305	KNEE PRESS ROD				*		1	1.00
16	R	11024106	22932206	SPRING				*		1	1.00
17		40005523		FRAME SUPPORT R- UBBER CUSHION A				*		1	
18		40005524		FRAME SUPPORT R- UBBER CUSHION B				*		1	
19		SL6040892TN		BOLT						8	
20		E9608603000		STICKER (MIDDLE)						1	

EXCLUSIVE PARTS FOR LZ-2284C-7 (7)



EXCLUSIVE PARTS FOR LZ-2284C-7 (7)

No.	Supply Code	Parts No.	Replacement	Parts name	Remarks	Choice	Step	Level	Cons	Qty	Rep. QTY
1	R	26319400	40038990	BELT COVER A						1	1.00
2	R	26319558	40038990	BELT COVER B (COMPL.)						1	1.00
3	R	26319509	40038990	BELT COVER B				*		1	1.00
4	R	26319608	40038990	BELT COVER C				*		1	1.00
5	R	26319806	40038990	VIBROISOLATING RUBBER				*		1	1.00
6		WP0450801SD		WASHER 4.5X10X0.8						2	
7		SS4110915SP		SCREW 11/64-40 L=9						2	
8		WP0450826SC		WASHER 4.5X10X0.8						2	
9		SK3412001SE		WOOD SCREW D=4.1 L=20						2	
10		SS4151215SP		SCREW 15/64-28 L=12						2	
11	R	10039105	40101337	BELT COVER SUPPORT STUD						2	1.00
12		22535603		WASHER						2	
13		22535454		SYNCHRONIZER SUPPORT ASM.	SPECIAL ORDER PARTS					1	

LIST FOR INFORMATION OF CHANGE

As to the place changed, refer to the corresponding Rev.No.
 When previous parts(Obsoleted part)and new parts(Added parts)are
 not interchangeable with each other:
 In this case,even obsoleted parts(D.)can be ordered with the
 obsoleted part number,so select the parts with changed dates and
 place your orders.

変更箇所は、該当Rev.No.版をご参照ください。
 部品の互換性がない変更の場合は、削除された品番でも、ご注文できます。

29284106
 No.1160-13・・・Rev.No.

*A:Added parts追加部品/D:Obsoleted parts削除部品/E:Erratum訂正

* Rev. No.	Page 頁	Ref. No.	Parts No. 品番	* Rev. No.	Page 頁	Ref. No.	Parts No. 品番
D 12	4	18	SS-4110515-SP	A 13	4	18	SS-4110615-SP
D 12	4	31	CM-3002001-01				
D 12	4	32	CM-3002001-A1				
				A 13	8	43	400-70532
				A 13	8	54	SS-4110615-SP
D 12	8	56	SS-4110915-SP				
				A 13	14	49	400-70531
				A 13	18	24	100-26763
D 12	22	6	225-31909	A 13	22	6	400-70261
D 12	22	7	263-12009				
D 12	22	18	263-04600				
D 12	22	28	SS-4110715-SP	A 13	22	28	SS-4110615-SP
				A 13	22	35	400-70259
D 12	22	36	SQ-1150451-MZ				
D 12	22	38	SS-4110515-SP	A 13	22	62	SS-4110615-SP
D 12	22	55	225-32550	A 13	22	55	400-69742
D 12	22	56	225-32501	A 13	22	56	400-69741
D 12	22	57	400-31829				
D 12	22	60	400-32448	A 13	22	59	106-23601
D 12	22	63	SS-7111410-TP				
D 12	48	52	101-20004	A 13	48	52	400-23289
D 12	54	19	263-13957	A 13	54	19	400-78331
D 12	54	20	263-14203	A 13	54	20	400-78335
D 12	54	22	RE-0500000-KO	A 13	54	22	RE-0400000-KO
D 12	54	25	263-14302	A 13	54	25	400-78336
D 12	54	26	263-14054	A 13	54	26	400-78333
D 12	54	27	263-14005	A 13	54	27	400-78334
D 12	54	30	263-13908	A 13	54	30	400-78332
D 12	60	8	100-29957				
D 12	60	9	100-29452				
D 12	60	10	SS-6121030-SP				

HOW TO MAKE USE OF THIS PARTS LIST

1.Explanation of codes

1)"*"mark.....means this part is changed from the previous parts book.

As to the details of the change, refer to the "List for information of change".

2)"#01".....refer to "Note" explanation at bottom of page.

2.Codes on the "Qty" column

- Each numeral indicates the number of parts required.
- "0.1" and "2.5" indicate the length (in meters) of the respective parts.

3.Parentheses mean that the corresponding part is a subpart that constructs an assembly part.

4.Dotted lines on the Figures indicate assembly parts.

1."注記"欄の記号説明

1) "*"印.....前回のパーツブックに比較して今回変更された部品を意味します。

変更内容は、"変更情報リスト"を参照してください。

2) "#01".....ページ下の"注記"の説明を参照してください。

2.数量欄の数字は、個数を表し、0.1、2.5等の数値は、長さ（単位メートル）を表します。

3.数量欄の（ ）は、組部品を構成している子部品であることを意味します。

4.イラストページの-----枠は、組構成であることを意味します。

NUMERICAL INDEX OF PARTS

PART NO	PAGE	REF NO.	PART NO	PAGE	REF NO.	PART NO	PAGE	REF NO.
1000206	2	15	10016418	100	36~39	10030401	38	62
10001709	2	17	10016517	22	6	10030609	38	47~50
10005668	4	53	10016517	66	32~35	10030708	38	47~50
10006005	4	55	10016517	76	9~12	10030807	38	47~50
10006104	4	52	10016517	100	36~39	10030906	38	47~50
10007854	4	56	10017168	22	10	10031003	38	58
10008506	14	14	10017168	66	37	10031615	36	19
10008753	14	16	10017168	76	13	10031714	36	20
10011005	20	25~ 28·45	10017168	100	41	10031805	8	21
10011104	20	25~ 28·45	10017408	22	14	10031904	8	22
10011203	20	25~ 28·45	10017408	76	14	10032001	8	23
10011302	20	25~ 28·45	10017408	102	48	10033009	36	10
10012201	20	30	10017606	22	15	10033009	108	51
10012417	20	31	10017606	66	43	10033108	36	12
10012516	20	32	10017606	76	15	10033108	108	46
10012607	20	12~15	10017606	102	49	10035004	40	12
10012706	20	12~15	10017705	22	45	10035111	40	11
10012805	20	12~15	10018000	22	11	10035301	40	8
10012904	20	12~15	10018000	66	39	10035509	72	61
10013019	16	61	10018000	76	16	10037109	40	16
10013118	16	62	10018000	100	43	10037307	8	31
10013407	18	67	10018109	22	12	10037406	8	12
10014009	20	25~ 28·45	10018109	66	40	10038107	60	3
10015105	22	44	10018109	76	17	10038107	120	5
10015360	22	13	10018109	100	44	10039105	58	11
10015360	66	41	10021004	62	30	10039105	122	11
10015360	76	8	10021103	28	53	10043412	62	5
10015360	100	45	10021103	64	46	10043461	72	58
10015907	22	30	10021103	82	77	10044014	62	13
10015907	76	43	10021103	100	11	10044014	66	12
10015907	100	22	10021202	26	48	10044105	62	14
10016210	22	7	10021202	28	48	10044105	66	13
10016210	66	32~35	10021202	74	17	10045060	74	11
10016210	76	9~12	10022010	26	17	10053007	82	58~ 61·81
10016210	100	36~39	10022606	26	28	10053106	82	58~ 61·81
10016319	22	8	10025906	94	39	10053205	82	58~ 61·81
10016319	66	32~35	10025906	106	28	10053304	82	58~ 61·81
10016319	76	9~12	10026201	32	10	10053908	82	58~ 61·81
10016319	100	36~39	10026706	32	26	10054112	66	23
10016418	22	9	10026763	32	24	10055002	62	29
10016418	66	32~35	10026904	32	37	10055051	80	3
10016418	76	9~12	10027100	32	44	10055051	100	6
			10027407	34	48			
			10027506	34	47			
			10029304	34	57			

NUMERICAL INDEX OF PARTS

PART NO	PAGE	REF NO.	PART NO	PAGE	REF NO.	PART NO	PAGE	REF NO.
10055069	62	28	11041407	46	72	13155007	118	23
10056109	62	31	11043601	2	21	13155056	118	20
10061554	66	2	11044054	8	14	13155064	118	19
10062701	70	17	11047107	60	4	13521000	112	17
10062800	70	18	11047107	120	6	13705603	46	58
10063204	70	19	11071602	26	19	13729702	36	36
10063303	70	20	11071701	26	20	14118152	114	2
10063402	70	21	11071909	74	23	14118152	116	2
10063501	70	22	11072402	12	37	14118251	114	4
10063600	70	23	11072501	50	10	14118251	116	4
10063808	70	30	11075801	118	11	16194300	46	63
10064004	70	31	11076007	118	10	16965105	84	23
10064103	70	32	11079506	38	51	19800903	36	39
10064202	70	33	11093606	12	38	19801000	36	40
10064301	70	34	11093606	110	21	19801109	38	42
10064400	70	35	11100500	30	24	19801208	38	43
10064608	70	36	11101003	50	25	19801307	38	41
10064905	70	37	11101003	104	5	19801406	38	44
10065001	70	38	11102001	50	5	19801505	38	45
10065209	72	63	11102100	50	6	19801604	38	46
10100410	8	4	11102209	50	7	22501209	2	2
10100410	112	9	11102308	50	9	22501506	2	4
10208601	52	4	11102308	84	36	22501605	2	5
10208700	52	10	11102605	104	6	22501704	2	6
10208858	52	8	11110301	52	18	22501704	46	57
10502300	12	32	11110806	52	22	22501704	96	31
10565406	84	31	11155751	118	6	22502108	2	8
10604809	16	41	11155801	118	7	22502504	6	13-73
10623601	42	59	11156007	118	8	22502702	2	11
11000619	2	19	11158516	114	6	22503353	106	8
11008802	86	55	11158516	116	6	22503908	94	38
11015906	36	33	11158607	114	12	22503908	106	29
11024015	60	5	11158607	116	12	22504104	2	10
11024015	120	10	11158706	114	22	22505200	14	3
11024106	60	8	11158805	114	23	22505259	14	2
11024106	120	16	11158904	114	27	22505507	14	25
11024205	60	7	11159001	114	24	22505705	14	17
11024205	120	15	11162104	106	42-43	22506109	14	9-71
11024510	60	6	11214806	92	28	22506208	18	9-71
11024510	120	13	11234408	48	12	22507156	16	42
11030202	104	18	11234507	48	13	22507404	18	76
11030301	4	46	11384302	86	54	22507503	18	77
11032562	16	40	11387503	84	41	22507701	18	75
11040854	46	70	11960853	106	39	22507701	108	44
11041308	46	71	12308300	96	15	22507818	18	74

NUMERICAL INDEX OF PARTS

PART NO	PAGE	REF NO.	PART NO	PAGE	REF NO.	PART NO	PAGE	REF NO.
22508006	16	46	22527006	96	46~50	22540769	74	1
22509202	16	60	22527105	62	9~12	22541106	74	21
22509756	20	1	22527105	66	8~11	22542500	74	6
22510002	20	21	22527105	98	46~50	22542559	74	5
22510051	20	20	22527204	62	9~12	22542708	4	67·75
22510101	20	22	22527204	66	8~11	22544159	50	2
22510101	74	7	22527204	98	46~50	22544159	104	3
22510200	20	23	22527303	62	9~12	22545107	34	8·59·61
22510200	74	8	22527303	66	8~11	22545206	28	57
22512057	22	1	22527303	98	46~50	22545206	64	43
22512107	22	29	22528061	4	48	22545206	82	75
22512107	78	54	22528152	4	51	22545206	100	9
22512156	22	28	22528467	4	49	22545404	28	54
22512313	22	35	22528509	4	54	22545404	64	45
22512362	22	34	22528616	2	39	22545404	82	78
22512602	76	44	22528764	4	65	22545404	100	12
22512602	100	23	22529002	4	62	22546816	26	44
22518104	30	2	22529101	4	63	22546816	28	44
22519201	30	17	22529200	4	64	22546816	74	16
22519300	30	18	22529473	12	40	22547806	26	45
22519607	32	2	22529481	12	36	22547806	28	45
22519805	30	20	22531552	40	4	22547913	26	3
22519904	32	5	22534010	60	2	22547954	26	2
22520001	32	6	22534101	60	17	22547970	26	1
22520001	92	10	22535454	58	13	22548010	10	33·36
22524151	36	37	22535454	122	13	22548010	74	18
22524169	36	35	22535603	58	12	22548010	92	32·33
22524805	38	59·60	22535603	122	12	22548119	32	8·59·61
22525059	36	1~6	22535801	106	1	22548119	74	19
22525257	36	1~6	22535900	106	3	22548119	92	15·37
22525406	106	24	22536403	6	74	22548614	28	43
22525455	106	23	22536403	106	4	22548655	28	42
22525752	36	1~6	22536502	62	38	22548671	28	41
22525877	36	1~6	22536502	72	72	22548671	74	15
22525919	36	8	22536502	74	30	22548671	92	30·31
22525919	108	49	22536502	80	9	22548705	10	33·36
22525968	36	7	22536502	96	37	22548705	92	32·33
22526008	36	13	22536502	106	5	22548804	34	8·59·61
22526008	108	47	22538706	12	34	22548804	92	15·37
22526206	36	59·60	22538805	12	28	22548903	28	58
22526206	38	59·60	22540009	74	14	22548960	28	52
22526578	36	1~6	22540108	74	32	22548960	92	30·31
22526677	36	1~6	22540207	74	22	22550602	56	1
22527006	62	9~12	22540454	74	24	22551550	14	34
22527006	66	8~11	22540710	74	2	22551568	14	33

NUMERICAL INDEX OF PARTS

PART NO	PAGE	REF NO.	PART NO	PAGE	REF NO.	PART NO	PAGE	REF NO.
22552400	8	13	22561559	104	1	22570303	80	37~40
22552756	46	54	22561708	52	11	22570402	80	37~40
22552764	46	51	22561757	52	1	22570501	80	37~40
22552806	46	52	22561807	52	3	22570600	80	37~40
22552905	46	53	22561856	52	2	22570758	80	41
22554158	44	1	22561906	52	7	22570907	80	42
22554356	44	2	22561955	52	6	22571004	82	49
22554505	44	3	22562052	52	15	22571103	80	28~31
22554604	44	4	22562102	52	16	22571202	80	28~31
22554703	44	5	22562201	52	17	22571301	80	28~31
22554802	44	6	22564157	48	1	22571400	80	28~31
22554901	44	7	22564256	48	2	22571509	80	43
22555007	44	8	22564454	48	3	22571608	80	44
22555106	44	9	22564702	48	4	22571707	80	45
22555205	44	10	22564801	48	5	22571806	80	46
22555304	44	11	22564959	48	29	22571905	82	47
22555403	106	21	22565105	48	30	22572002	82	50~53
22555551	46	66	22565204	48	6	22572101	82	50~53
22555858	44	30	22565303	48	7	22572200	82	50~53
22556054	106	11	22565402	48	8	22572309	82	50~53
22556153	106	20	22565501	48	9	22572457	82	48
22556302	106	12	22565659	48	10	22572853	76	1
22556450	106	13	22565857	48	11	22572903	76	3
22556609	106	14	22566152	48	31	22573018	76	36
22556708	106	15	22566301	48	36	22573174	76	35
22556807	106	16	22567903	78	48	22573182	76	34
22556906	46	67	22568000	78	49	22573208	76	40
22557003	46	68	22568109	76	45	22573208	100	19
22557458	44	12	22568208	76	46	22573257	76	39
22557557	44	15	22568356	76	38	22573257	100	18
22557706	44	16	22568356	100	17	22573307	76	4
22557805	44	17	22568851	80	17~27	22573505	76	6
22557904	44	18	22568950	80	17~27	22573505	102	51
22558001	44	21	22569057	80	17~27	22573901	82	57
22558100	44	22	22569156	80	17~27	22574107	80	6
22558159	44	20	22569255	80	17~27	22574156	80	5
22558209	44	19	22569354	80	17~27	22574255	80	8
22558308	44	13	22569453	80	17~27	22580302	62	34
22558407	44	14	22569552	80	17~27	22580302	74	12
22558506	46	65	22569651	80	17~27	22580302	80	4
22559058	50	1	22569750	80	17~27	22580302	100	7
22559058	104	2	22569859	80	17~27	22580369	74	10
22559850	50	3	22570006	80	34	22580864	62	27
22559850	104	4	22570105	80	35	22580864	80	2
22559900	50	4	22570204	80	36	22580864	100	5

NUMERICAL INDEX OF PARTS

PART NO	PAGE	REF NO.	PART NO	PAGE	REF NO.	PART NO	PAGE	REF NO.
22581508	62	35	22901300	8	9	23500978	2	3
22581508	82	73	22901805	8	28	23501307	92	7
22581508	92	36	22904155	14	32	23501356	92	4
22581508	98	52	22907109	26	22	23501406	92	5
22582407	62	1	22907406	26	21·34	23501513	92	27
22582407	74	13	22907406	110	35	23501604	92	19
22582407	80	1	22907554	26	18	23501703	92	18
22582407	92	35	22907703	28	59	23501802	92	17
22582407	98	51	22907802	26	23	23501901	92	13
22584908	64	44	22908305	26	13	23502008	92	1
22584908	82	76	22908909	26	12	23502107	92	2
22584908	100	10	22912000	30	26	23502651	60	1
22584965	64	42	22912109	30	27	23502958	108	53·54
22584965	82	74	22913008	16	64	23503006	108	60·61
22584965	100	8	22913156	92	21	23503154	92	34
22585400	62	2	22913206	92	24	23503162	94	41
22585509	66	5	22916506	36	32	23503303	38	64
22585657	96	44	22917058	40	40	23503402	36	21
22585707	62	7	22924906	40	20	23503501	36	9
22585707	66	7	22930309	54	14	23503501	108	50
22585806	62	4	22930358	54	1	23503659	108	53·54
22585855	62	3	22930408	54	10	23503709	108	58
22585855	66	6	22930507	54	9	23503808	108	59
22586200	66	46	22930556	54	15	23503907	108	60·61
22586226	62	24	22930705	54	7	23504004	108	62
22586226	100	3	22930804	54	5	23504103	108	55
22586275	62	23	22930903	54	4	23504301	108	56
22586705	106	2	22931000	54	3	23504400	108	57
22590061	66	45	22931109	54	2	23504657	108	63
22590301	70	26	22931307	54	11	23505605	88	2
22590400	70	28	22931406	54	8	23505654	88	1
22590509	70	29	22934202	60	21	23505829	84	5
22590806	72	60	22934251	60	20	23505910	88	6
22590855	72	59	22934301	60	25	23506009	84	13
22591101	70	15	22934400	60	24	23506108	84	9
22591408	70	5	22934509	60	22	23506314	84	11
22591564	70	1	22934608	60	23	23506405	84	15
22591663	70	14	22947006	2	20	23506504	84	28
22592505	66	1	22955504	52	23	23506603	84	17
22592604	66	25	22955900	52	19	23506702	84	21
22592653	66	22	22956007	52	20	23506801	84	24
22592802	68	47	22956205	52	21	23507056	84	30
22593107	72	70	22957104	52	24	23507155	84	32
22596704	38	56	22957203	52	25	23507262	84	34
22900401	2	18	22958300	2	13·73	23507551	84	40

NUMERICAL INDEX OF PARTS

PART NO	PAGE	REF NO.	PART NO	PAGE	REF NO.	PART NO	PAGE	REF NO.
23507700	84	43	23522550	106	9	26304303	36	18
23507809	84	45	23523004	106	10	26304402	14	18
23507908	86	47	23523152	108	45	26304501	40	19
23508005	86	49	23523202	108	52	26304758	2	1
23508104	86	51	23537202	38	65	26304907	8	1
23508203	86	53	23547557	4	50	26305003	8	3
23508252	84	29	26226407	30	23	26305052	8	2
23508302	86	57	26260406	12	5	26305102	2	7
23508450	86	59	26260505	12	6	26305300	2	9
23508500	86	61	26260802	12	9	26305409	2	14
23508609	86	65	26261206	12	13	26305516	14	6
23508757	86	66	26261305	12	14	26305904	16	65
23508906	84	3	26261602	12	16	26306001	16	66
23509003	84	1	26261701	12	17	26306506	22	2
23509169	88	3	26300103	8	7	26306704	22	41
23509466	88	4	26300202	14	13	26306803	22	33
23509706	88	8	26300301	14	15	26306951	22	36
23510050	88	9	26300400	16	47	26306951	62	25
23510159	88	10	26300509	32	36	26306951	74	3
23510308	88	12	26300608	20	29	26307108	22	39
23510407	88	15	26300913	16	59	26307157	22	38
23510506	88	16	26300962	16	58	26307207	22	40
23512015	88	28	26301002	20	33~36	26307306	22	3
23512106	88	34	26301101	20	33~36	26307306	66	27
23512155	88	33	26301200	20	33~36	26307306	76	7
23512163	88	32	26301309	20	33~36	26307306	100	31
23512205	88	35	26301408	18	68	26307405	20	3~6
23512304	88	38	26301507	22	5	26307504	20	3~6
23512569	88	29	26301507	66	26	26307603	20	3~6
23512601	88	30	26301507	100	30	26307702	20	3~6
23512817	86	70	26302000	30	16	26307850	26	9
23512908	90	64	26302208	14	1	26308007	26	10
23513062	90	65	26302307	20	11	26308205	30	3
23513161	90	66	26302703	22	4	26308353	30	4
23513302	86	71	26302901	28	51	26308403	30	5
23513401	84	7	26303107	32	12	26308502	30	7
23516206	6	67-75	26303107	92	12	26308551	30	6
23518822	96	35	26303206	32	43	26308601	30	8
23519804	98	55	26303404	34	46	26308700	30	9
23521057	100	24	26303503	34	49	26308809	30	10
23521107	100	29	26303602	30	39	26308809	88	26
23521255	100	2	26303701	34	51	26308908	30	11
23521263	100	1	26303800	36	38	26309005	30	12
23521305	102	53	26303909	38	57	26309104	32	1
23521404	100	15	26304006	38	61	26309351	32	7

NUMERICAL INDEX OF PARTS

PART NO	PAGE	REF NO.	PART NO	PAGE	REF NO.	PART NO	PAGE	REF NO.
26309609	38	52	40005482	112	14	40009373	40	21
26309708	38	53	40005483	112	15	40010276	74	25
26311902	40	5	40005484	110	1	40010305	38	54
26312306	76	5	40005485	110	2	40010319	34	45
26312405	82	56	40005487	110	5	40020337	40	41
26312405	96	33	40005488	110	6	40020338	42	45
26312504	2	40	40005489	110	7	40020341	42	51
26312702	96	10	40005490	110	8	40020342	40	42
26312751	96	1	40005491	110	9	40020343	40	43
26312801	96	13	40005492	110	29	40020344	40	44
26312900	96	9	40005493	110	10	40020345	42	46
26313007	96	2~5	40005494	110	11	40020346	42	47
26313106	96	2~5	40005496	112	33	40021933	12	12
26313205	96	2~5	40005497	112	34	40023289	86	52
26313304	96	2~5	40005498	112	35	40026730	12	7
26313403	96	8	40005499	112	36	40026745	12	24
26313502	96	6	40005500	112	37	40031418	32	3
26313700	96	39	40005503	112	20	40031628	12	3
26314104	96	24	40005504	112	21	40031629	12	10
26314401	96	34	40005505	110	4	40031630	12	11
26314500	32	34	40005506	112	25	40031631	12	27
26314708	8	10	40005507	112	3	40031633	12	8
26314757	8	8	40005508	112	2	40032138	12	4
26314906	32	32	40005512	112	4	40032271	34	53
26315150	40	1	40005515	112	32	40034904	12	2
26315200	40	2	40005516	110	30	40034919	12	26
26315309	98	53	40005517	110	28	40034920	12	1
26315408	40	10	40005520	120	1	40035544	40	3
26319004	100	25	40005521	120	2	40035702	32	9
26319103	76	2	40005523	120	17	40040372	14	10
26319400	58	1	40005524	120	18	40043050	36	16
26319400	122	1	40005530	114	1	40043051	36	17
26319509	58	3	40005531	118	4	40043054	112	18
26319509	122	3	40005532	118	18	40043055	112	19
26319558	58	2	40005533	118	25	40043720	12	25
26319558	122	2	40005534	118	26	40043912	34	50
26319608	58	4	40005535	114	8	40044872	14	7
26319608	122	4	40005535	116	8	40050457	34	52
26319806	58	5	40005536	114	9	40055832	32	11
26319806	122	5	40005536	116	9	40056375	20	7
29141900	104	17	40005537	116	1	40056376	20	8
40005477	112	7	40005538	114	10	40056754	30	1
40005478	112	8	40005538	116	10	40056873	16	44
40005480	112	11	40005539	114	11	40057280	88	5
40005481	112	12	40005539	116	11	40064313	96	40~43

NUMERICAL INDEX OF PARTS

PART NO	PAGE	REF NO.	PART NO	PAGE	REF NO.	PART NO	PAGE	REF NO.
40064314	96	40~43	B1536804000	110	27	B3208280000	88	11
40064315	96	40~43	B1551586000	106	6	B3214047000	12	39
40064316	96	40~43	B1604141H00	32	33	B3414555000	26	14
40064317	98	58~60	B1608555000	74	27	B3416552000	26	16
40064319	98	58~60	B16085550A0	74	26	B3416555000	26	15
40064320	98	58~60	B1609804A00	32	38~42	B3421555000	60	18
40065490	20	2	B1609804B00	32	38~42	B3431581000	26	25
40069741	42	56	B1609804C00	32	38~42	B3523980000	112	6
40069742	42	55	B1609804D00	32	38~42	B3524552000	40	13
40070259	40	35	B1609804E00	32	38~42	B3525357000	112	28
40070260	40	39	B1637560000	96	17	B3527552000	72	62
40070261	40	6	B1646555000	34	54	B3527552000	80	7
40070262	40	37	B1810552000	14	19	B3534012000	112	29
40070531	28	49	B1905541A00	16	48~51	B3534155000	40	15
40070532	16	43	B1905541B00	16	48~51	B3536122000	112	30
40078331	96	19	B1905541C00	16	48~51	B3538112000	40	17
40078332	96	30	B1905541D00	16	48~51	B3538112000	84	38
40078333	96	26	B2024771000	48	17	B3538112000	88	13
40078334	96	27	B2034372000	48	16	B3541012000	110	20
40078335	96	20	B250228000A	70	39~42	B3554481000	72	64
40078336	96	25	B250228000B	70	39~42	B4011210000	84	35
A321600100A	12	15	B250228000C	70	39~42	B8101210AAB	114	3
B1115850000	60	9	B250228000D	70	39~42	B8101210AAB	116	3
B1116210D00	120	7	B2502280B0A	62	15~19	B8105210AAA	114	5
B1203227000A	14	11	B2502280B0A	66	14~18	B8105210AAA	116	5
B1208552000A	14	12	B2502280B0B	62	15~19	B81085550A0	114	14
B1213372000	50	17	B2502280B0B	66	14~18	B81085550A0	116	14
B1213372000	104	7	B2502280B0C	62	15~19	B8112552000	114	13
B1214038000	40	14	B2502280B0C	66	14~18	B8112552000	116	13
B13071550A0	36	34	B2502280B0D	62	15~19	B8131019000	106	38
B13081550A0	38	55	B2502280B0D	66	14~18	B8133019000	106	37
B1430761000	76	18	B2502280B0E	62	15~19	B8210012000	118	13
B1430761000	102	52	B2502280B0E	66	14~18	B8226WP1000	110	13
B150522700A	106	42-43	B2508704000	30	25	B8228125000	60	19
B1505227T00A	26	21-34	B2560372000	48	14	B9101490000	106	22
B1516552000	26	11	B2561205000A	110	25	B9113012000	70	27
B1517552000	26	26	B25792290A0	86	74	B9140372000	80	10
B1521555000	26	24	B2608761000	22	16	BT0500300EA	40	58
B1523226000	26	27	B2608761000	76	20	BT0500300EA	42	58
B1525582000	26	55	B2608761000	102	47	CM300200002	6	76
B1525582000	28	55	B2626372000	48	15	CM300200002	10	35
B1525582000	62	47	B3116125000	4	59	CM301300001	10	34
B1525582000	64	47	B3120125000	4	61	CM600100101	8	32
B1525582000	82	79	B3121352000	4	57-58	CQ202000000	18	70
B1525582000	100	13	B3129012A00	4	57-58	CQ202000000	40	54

NUMERICAL INDEX OF PARTS

PART NO	PAGE	REF NO.	PART NO	PAGE	REF NO.	PART NO	PAGE	REF NO.
CQ202000000	42	54	GAK33041000	26	29	M6094350AAF	98	56·57
CQ303000000	72	69	GAK33042000	26	30	M6094350AAL	62	36·37
CQ500600000	72	68	GAW02560000	118	15	M6094350AAL	78	58·59
CS0640863SH	48	28	GAW02561000	118	16	M6094350AAL	98	56·57
CS0800911TH	84	19	GPK700010A0	118	3	M8501429AA0	90	63
CS095101BSH	46	49	GPK710010A0	118	2	M8502429AA0	90	43
CS1031210SH	20	40	GPR01015000	2	36	M8503429AA0	90	44
CS1031210SH	30	32	GRF010000B0	106	30	M8504429AA0A	90	42
CS1031210SH	70	52	GRF01001000	106	31	M8505429AA0	90	45
CS1031210SH	72	52	HA00044000A	86	67	M8601429AA0A	90	47
CS103121BSH	20	41	HA000590000	52	27	MAB109000A0	62	40
CS1111010SH	32	21	HA001900000	50	8	MAB109000B0	62	39
CS1111010SH	112	41	HC018201020	90	48~59	MAM097000A0	68	52
CS1111019SH	32	22	HC018204700	90	48~59	MAM09700BA0	68	53
CS1111019SH	112	42	HC036413320	90	48~59	MAO11602N00	88	17
CS1401113TH	80	62	HC055711040	90	48~59	MAT02106000	76	21
CS1401113TH	82	62	HF0041020P0	90	48~59	MAT80117S00	106	36
CS1470710SH	92	25	HF0041050S0	90	48~59	MC192300750	16	52·72·73
D1501583H00	106	40	HF0078016P0	90	46	MC1923F0800	66	4
D1502583H00	106	41	HG005640000	90	48~59	MC2005F0700	18	52·72·73
D2056772B0B	44	29	HK00443002A	46	50	MDP500B1000	18	52·72·73
D2107490D00	52	9	HK01650004A	90	48~59	NM60300000E	42	50
D2107555B00	46	69	HK034610140	46	61	NM6030001SC	46	55
D2112555B00	4	45	HK03464000B	50	11	NM6040001SN	46	56
D2467555B00	46	62	HK03464000B	52	26	NM6040003SC	110	12
D2467555B00	104	8	HL003880000	90	48~59	NM6050001SE	54	17
D2468555B00	30	21	HL017120000	90	48~59	NM6060001SE	60	12
D2468555B00	50	16	HR022301010	90	48~59	NM6060001SE	72	50
D2468555B00	104	9	HT002310000	90	48~59	NM6060001SE	88	19
D2515232D00	30	22	HW200390000	52	29	NM6060001SE	120	8
D3162555B00	12	30	HW500070000	50	12	NM6080001SE	114	28
D7117555BA0	88	14	HW500070000	52	28	NM6080001SE	116	20
D8113555B00	114	25	HX00123000A	48	37	NM6080721SE	88	18
D8115555B00	114	26	M2001429AA0	90	60~62	NM6160511SE	54	18
D8226555E00	118	27	M2001429BA0	90	60~62	NP210300000	44	25
D8308205K0A	114	7	M2001429CA0	90	60~62	NS6080340SP	48	24
D8308205K0A	116	7	M40071100AA	16	36	NS6090310SP	86	64
E9608603000	118	1	M40071100AB	14	35	NS6110310SP	12	41
E9608603000	120	20	M6093350AAF	10	20·27·37	NS6110310SP	42	60
EA9500B0100	42	53	M6093350AAL	8	20·27·37	NS6110310SP	52	39
EA9500B0100	44	31	M6093350AAL	74	20·31	NS6110310SP	110	26
EA9500B0100	112	5	M6093350AAS	8	20·27·37	NS6110360SP	88	22
EA9502B0200	4	44	M6093350AAS	74	20·31	NS6110420SP	106	35
G5514116000	114	15	M6094350AAF	62	36·37	NS6120310SP	30	38
G5514116000	116	15	M6094350AAF	78	58·59	NS6120310SP	32	14

NUMERICAL INDEX OF PARTS

PART NO	PAGE	REF NO.	PART NO	PAGE	REF NO.	PART NO	PAGE	REF NO.
NS6120310SP	48	26	RE0400000K0	100	46	SD0791501SP	112	1
NS6150310SP	22	23	RE0400000K0	104	11	SD0791503SP	44	41
NS6150310SP	40	31	RE0500000K0	26	31	SD0791503SP	50	22
NS6150310SP	44	42	RE0500000K0	44	40	SD0791503SP	104	13
NS6150310SP	50	23	RE0600000K0	26	38	SD0800402TP	22	27
NS6150310SP	66	36	RE0600000K0	44	43	SD0800402TP	76	27
NS6150310SP	76	23	RE0900000K0	48	19	SD0800402TP	100	26
NS6150310SP	100	40	RE1000000K0	60	16	SD0900701TP	34	62
NS6150310SP	104	10	RE1000000K0	120	14	SE4301031SR	42	52
NS6150430SP	44	38	RE1200000K0	50	20	SK1413200SC	118	17
NS6150430SP	72	48	RE1200000K0	104	12	SK3382001SC	118	9
NS6240630SE	118	22	RO029180100	14	20	SK3412001SE	58	9
NS6620310SP	26	37	RO029180100	42	63	SK3412001SE	122	9
NS6680320SP	74	29	RO029180100	96	23	SL4030881SF	48	32
NS6680410SP	32	27	RO036080200	38	63	SL4031691SC	88	20
NS6700320SP	8	5	RO037180100	26	35	SL4032591SC	86	68
NS6700420SP	112	10	RO044240100	14	27	SL4040681SC	110	17
PH0300085S0	96	28	RO048190100	14	28	SL6040892TN	118	5
PS0300182KF	46	64	RO069180100	20	39	SL6040892TN	120	19
PS0400252KP	16	63	RO074240100	30	36	SL9061291SE	114	29
RC0100001KP	20	19	RO098240100	60	10	SL9082091SE	114	31
RC0100001KP	22	22	RO098240100	120	3	SL9082091SE	116	21
RC0100001KP	66	31	RO110090100	112	22	SM0060801SA	118	28
RC0100001KP	76	24	RO195240100	4	42	SM0081001SD	60	11
RC0100001KP	96	18	RO437200200	14	23	SM0081001SD	120	4
RC0100001KP	100	35	SB109530100	36	27	SM4030411SB	84	39
RC0330415KP	92	29	SB117000100	92	6	SM4030411SB	88	21
RE0200000K0	22	24	SB120000100	14	4	SM4030601SN	52	33
RE0200000K0	66	38	SD0460182SP	110	31	SM4031001SC	42	48
RE0200000K0	76	25	SD0481451SP	48	23	SM4031501SC	50	15
RE0200000K0	100	42	SD0500251SP	86	63	SM4040601SB	44	36
RE0200000K0	110	22	SD0550212TP	110	23	SM4040655SP	50	13
RE0250000K0	44	35	SD0600271SP	52	38	SM4040855SP	86	62
RE0300000K0	32	20	SD0600291TP	44	34	SM4051405SE	54	12
RE0300000K0	48	20	SD0600321SP	30	37	SM5040655SN	12	21
RE0300000K0	92	9	SD0600321SP	32	13	SM5040655SN	110	14
RE0320000K0	52	12	SD0601051SP	72	45	SM6030602TP	106	25
RE0400000K0	12	19	SD0630275SP	26	36	SM6040802TP	84	26
RE0400000K0	22	25	SD0630301SP	26	32	SM6041002TP	84	56
RE0400000K0	44	59	SD0640231SP	84	44	SM6041002TP	86	56
RE0400000K0	46	59	SD0640241SP	48	21	SM6050802TN	84	4
RE0400000K0	50	19	SD0640751SP	2	29	SM6051200TP	112	39
RE0400000K0	66	42	SD0640851SP	84	46	SM6051202TP	84	27
RE0400000K0	76	26	SD0650321TP	52	31	SM6051402TP	82	65
RE0400000K0	96	22	SD0791331SP	88	36	SM6051402TP	86	69

NUMERICAL INDEX OF PARTS

PART NO	PAGE	REF NO.	PART NO	PAGE	REF NO.	PART NO	PAGE	REF NO.
SM6051402TP	96	12	SS2110920TP	74	9	SS4121015SP	48	38
SM6051602TP	76	28	SS2110920TP	110	33	SS4121015SP	78	47
SM6061610SC	54	6	SS2111010TP	46	47	SS4121015SP	86	72
SM8030412TP	12	18	SS3090520SP	52	14	SS4121215SP	8	25
SM8040412TP	12	23	SS4060310SP	88	31	SS4121415SP	2	26
SM8040502TP	84	42	SS4080320TP	84	10	SS4121415SP	78	55
SM8040502TP	100	16	SS4080620TP	32	35	SS4150915SP	44	32
SM8040510TP	112	40	SS4080620TP	36	30	SS4150915SP	50	18
SM8040802TP	50	14	SS4110515SP	40	32	SS4150915SP	104	15
SM8050412TP	96	14	SS4110515SP	46	60	SS4151215SP	58	10
SM8050500SP	112	26	SS4110615SP	8	18	SS4151215SP	122	10
SM8050502TP	12	22	SS4110615SP	16	54	SS5090610SP	84	14
SM8050610TP	112	38	SS4110615SP	40	62	SS5110710SP	32	30
SM8050612TP	82	66	SS4110615SP	42	62	SS5110710SP	68	54
SM8050612TP	92	16	SS4110715SP	30	15	SS5110740TP	84	2
SM8050612TP	96	11	SS4110715SP	40	23	SS6060210SP	8	11
SM8050812TP	20	17	SS4110715SP	88	40	SS6080320SP	22	37
SM8050812TP	84	37	SS4110815SP	84	48	SS6080320SP	62	26
SM8060602TP	112	24	SS4110815SP	86	48	SS6080320SP	68	48
SM8063012TR	60	13	SS4110915SP	2	71	SS6080320SP	74	4
SM8063012TR	120	9	SS4110915SP	6	71	SS6080320SP	76	37
SM9061003SC	88	23	SS4110915SP	8	26	SS6080320SP	100	4
SM9061203SE	60	26	SS4110915SP	16	56	SS6090420SP	106	18
SM9061853SR	60	14	SS4110915SP	36	31	SS6090520SP	22	26
SM9061853SR	120	11	SS4110915SP	44	39	SS6090520SP	66	44
SM9062053SR	60	15	SS4110915SP	58	7	SS6090520SP	76	29
SM9062053SR	120	12	SS4110915SP	72	65	SS6090520SP	102	50
SM9081423SE	88	24	SS4110915SP	112	13	SS6090540SP	4	68
SQ0000401MZ	112	27	SS4110915SP	122	7	SS6090540SP	48	33
SQ1110402MZ	40	34	SS4111015SP	8	15	SS6090620SP	12	33
SQ1150451MZ	8	6	SS4111415SP	40	18	SS6090620SP	22	19
SQ2060451MZ	40	36	SS4120615SP	2	35	SS6090620SP	66	28
SS1080510SP	84	8	SS4120615SP	30	34	SS6090620SP	76	30
SS1080620SP	112	23	SS4120615SP	46	73	SS6090620SP	100	32
SS1090510SP	44	27	SS4120615SP	48	25	SS6090810SP	26	56
SS1090510SP	106	17	SS4120615SP	50	24	SS6090810SP	28	56
SS1090930SP	14	31	SS4120615SP	52	37	SS6090810SP	62	48
SS1110640TP	110	16	SS4120615SP	72	71	SS6090810SP	64	48
SS1110840SP	2	27	SS4120615SP	104	14	SS6090810SP	82	80
SS1110840SP	112	16	SS4120915SP	4	41	SS6090810SP	100	14
SS2090710SP	2	33	SS4120915SP	22	46	SS6110510SP	68	50
SS2090810SP	8	17	SS4120915SP	32	17	SS6110610TP	110	15
SS2090840SP	84	6	SS4120915SP	48	18	SS6110810TP	98	46~50
SS2110920TP	20	24	SS4121015SP	2	47	SS6110820TP	92	8
SS2110920TP	44	46	SS4121015SP	4	47	SS6111010SP	68	49

NUMERICAL INDEX OF PARTS

PART NO	PAGE	REF NO.	PART NO	PAGE	REF NO.	PART NO	PAGE	REF NO.
SS6111040SP	52	36	SS7110840SP	12	31	SS8150710SP	92	3
SS6111052TP	32	31	SS7110840SP	56	2	SS8150822TP	36	26
SS6111052TP	96	32	SS7110910TP	32	29	SS8151150SP	14	21
SS6111140SP	32	58	SS7110910TP	66	24	SS8151550SP	14	37
SS6111140SP	34	58	SS7111110TP	28	50	SS8151550SP	16	37
SS6111140SP	40	25	SS7111110TP	70	11	SS8151720SP	26	39
SS6111210SP	16	38	SS7111120SP	62	6	SS8660340SP	84	20
SS6120940SP	110	3	SS7111120TP	112	44	SS8660410SP	20	43
SS6121030SN	12	35	SS7111410SP	64	49	SS8660530TP	40	27
SS6121210SP	72	67	SS7111410SP	68	55	SS8660610TP	12	29
SS6121610TP	30	40	SS7111410SP	72	51	SS8660610TP	14	30
SS6121610TP	32	28	SS7111410TP	74	34	SS8660610TP	20	37
SS6121610TP	74	28	SS7111410TP	96	36	SS8660610TP	62	20
SS6121840SP	30	28	SS7120710SP	88	7	SS8660610TP	66	19
SS6121860SP	30	35	SS7120910TP	56	5	SS8660610TP	72	57
SS6122030SP	84	16	SS7121410TP	20	9	SS8660610TP	82	63
SS6580752TP	4	69	SS7121410TP	30	33	SS8660610TP	96	45
SS6580752TP	32	16	SS7121410TP	32	55	SS8660810TP	20	44
SS6580752TP	70	16	SS7121410TP	34	55	SS8660810TP	32	25
SS6580752TP	92	14	SS7121410TP	92	26	SS8660810TP	36	29
SS6660710TP	32	23	SS7151120SP	14	22	SS8660810TP	62	21
SS6660710TP	36	24	SS7620750SP	24	48	SS8660810TP	66	20
SS6660710TP	46	48	SS7620750SP	30	30	SS8660970TP	20	38
SS6660710TP	80	69	SS7620750SP	78	53	SS8660970TP	62	22
SS6660710TP	82	69	SS7681650TP	14	26	SS8660970TP	66	21
SS6660710TP	112	43	SS8080410TP	70	24	SS8661012TP	82	70
SS7060310SP	16	57	SS8090670SP	4	60	SS9090610TP	20	18
SS7060310SP	44	24	SS8110410TP	30	13	SS9090610TP	48	34
SS7080410SP	2	28	SS8110422TP	36	14·15	SS9110620TP	48	35
SS7080520SP	16	53	SS8110422TP	62	8	SS9111010SP	88	39
SS7090410SP	4	43	SS8110422TP	68	56	SS9111013SP	88	27
SS7090410SP	22	42	SS8110422TP	82	68	SS9111510SP	106	32
SS7090410SP	76	41	SS8110422TP	108	48	SS9120910TP	86	73
SS7090410SP	100	20	SS8110510SP	40	9	SS9151740CP	82	71
SS7090610SP	22	31	SS8110520TP	36	14·15	SS9661120CP	72	54
SS7090610SP	44	44	SS8110520TP	110	34	ST9053511SR	114	32
SS7090710SP	106	19	SS8110750SP	4	66	ST9053511SR	116	22
SS7090910SP	106	7	SS8111010TP	70	25	TA0800504R0	2	22
SS7090910TP	16	45	SS8120740SP	18	69	TA0950806R0	8	19
SS7090910TP	24	47	SS8150510TP	26	40	TA0980502R0	80	13
SS7090910TP	26	33	SS8150510TP	32	19	TA1050504R0	2	23
SS7090910TP	96	29	SS8150710SP	20	42	TA1050504R0	80	11
SS7110540SP	48	27	SS8150710SP	34	60	TA1100604R0	2	38
SS7110710SP	112	31	SS8150710SP	36	25	TA1100604R0	96	16
SS7110740TP	92	20	SS8150710SP	40	22	TA1250705R0	2	72

NUMERICAL INDEX OF PARTS

PART NO	PAGE	REF NO.	PART NO	PAGE	REF NO.	PART NO	PAGE	REF NO.
TA1250705R0	6	72	WP0621016SD	40	38	WZ1052010KP	76	51
TA1250804R0	110	37	WP0621016SH	44	37	WZ1052010KP	78	51
TA1450302R0	110	19	WP0621016SH	72	49	WZ1052010KP	100	34
TA1470702R0	96	38	WP0651056SD	2	31			
TA1550902R0	80	14	WP0820526SD	84	22			
TA1750502R0	80	15	WP0871602SE	114	30			
TA1871602R0	66	3	WP0871602SE	116	19			
TA2101002R0	110	36	WP1002036SE	118	24			
TA2200502R0	80	16	WP1020616SD	22	51			
TA2200502R0	98	54	WP1020616SD	24	51			
TA2201002R0	82	72	WP1020616SD	66	29			
WP0220300SC	70	13	WP1020616SD	76	52			
WP0320500SC	106	27	WP1020616SD	78	52			
WP0320501SC	52	35	WP1020616SD	100	33			
WP03305000E	6	70	WP1021016SD	24	49			
WP0330501SB	88	25	WP1021016SD	78	50			
WP0360516SD	110	32	WP1302501SE	114	16			
WP0371016SD	22	43	WP1302501SE	116	16			
WP0371016SD	52	13	WP1602616SZ	50	21			
WP0371016SD	76	42	WP1602616SZ	104	16			
WP0371016SD	100	21	WP1612616SE	54	19			
WP0371036SD	24	52	WS0270002KN	44	28			
WP0430801SC	110	18	WS0310002KN	52	34			
WP0450801SD	16	39	WS0310702KS	106	26			
WP0450801SD	56	3	WS0441040KP	106	34			
WP0450801SD	58	6	WS0510002KN	54	16			
WP0450801SD	122	6	WS0510002KP	8	30			
WP0450826SC	12	20	WS0510002KP	30	29			
WP0450826SC	58	8	WS0510002KP	78	56			
WP0450826SC	122	8	WS1002560KR	118	21			
WP0450846SP	34	56	WS1253010KN	114	17			
WP0450846SP	42	61	WS1253010KN	116	17			
WP0450846SP	110	24	WS1643202KR	54	20			
WP0480856SP	68	51	WT0320002KZ	42	49			
WP0480856SP	74	33	WT0530002KS	2	25			
WP0480856SP	92	22	WT0530002KS	56	4			
WP0500916SD	94	40	WZ0641510KP	2	30			
WP0501016SD	8	29	WZ0850302K0	22	17			
WP0501016SD	72	66	WZ0850302K0	76	32			
WP0501016SD	78	57	WZ0850302K0	88	37			
WP0501016SD	106	33	WZ0850302K0	100	27			
WP0510516SD	20	10	WZ1052010KP	22	50			
WP0510516SD	88	41	WZ1052010KP	24	50			
WP0531001SC	56	6	WZ1052010KP	30	14			
WP0612066SP	72	47	WZ1052010KP	66	30			