

MODEL : AMS-224C

List No : 1123-02

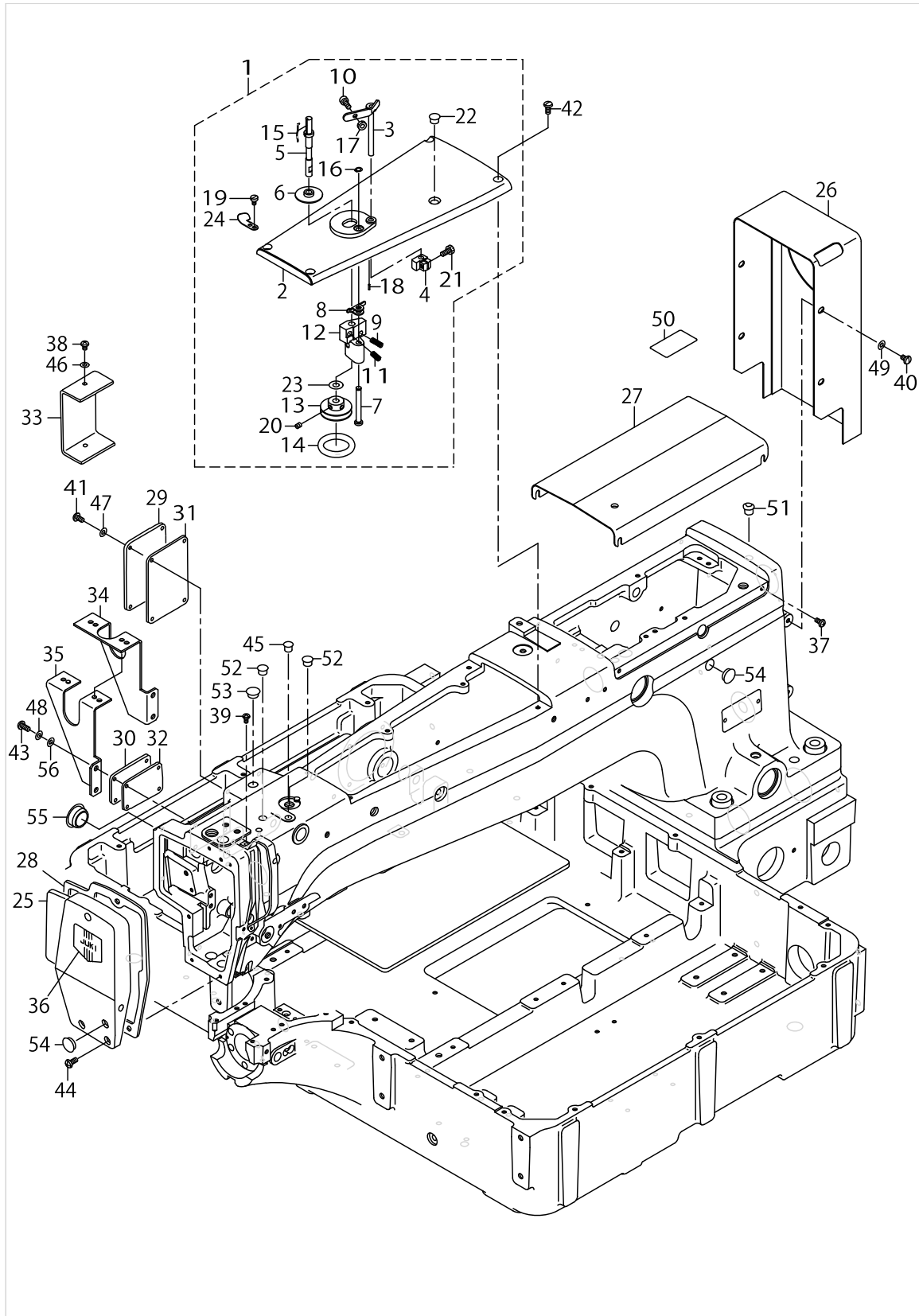
PARTS LIST

Published:05/12/2017

CONTENTS

FRAME & MISCELLANEOUS COVER COMPONENTS (1)	1
FRAME & MISCELLANEOUS COVER COMPONENTS (2)	5
FRAME & MISCELLANEOUS COVER COMPONENTS (3)	9
FRAME & MISCELLANEOUS COVER COMPONENTS (4)	11
MAIM SHAFT & NEEDLE BAR COMPONENTS	13
PRESSER MECHANISM COMPONENTS	17
SHUTTLE DRIVER SHAFT COMPONENTS(1)	21
SHUTTLE DRIVER SHAFT COMPONENTS(2)	25
WIPER MECHANISM COMPONENTS	29
TENSION RELEASE & TEREAD TRIMMER MECHANISM COMPONENTS	31
X-Y COMPONENTS (1)	35
X-Y COMPONENTS (2)	39
CLOTH FEED MECHANISM COMPONENTS	41
LUBRICATION COMPONENTS	45
SENSOR COMPONENTS	49
PNEUMATIC COMPONENTS	51
TABLE COMPONENTS	53
THREAD STAND COMPONENTS	57
CONTROL BOX COMPONENTS	59
OPERATION BOX COMPONENTS	61
CIRCUIT BOARD COMPONENTS	63
POWER SUPPLY & CORD COMPONENTS	65
PEDAL & ELECTRIC EQUIPMENT ACCESSORIES PART COMPONENTS	69
ACCESSORIES PART COMPONENTS	71
OPTIONAL PART COMPONENTS	75
AMS-224P EXCLUSIVE PART COMPONENTS (1)	79
AMS-224P EXCLUSIVE PART COMPONENTS (2)	83
LIST FOR INFORMATION OF CHANGE (1)	85
LIST FOR INFORMATION OF CHANGE (2)	86
HOW TO MAKE USE OF THIS PARTS LIST	87

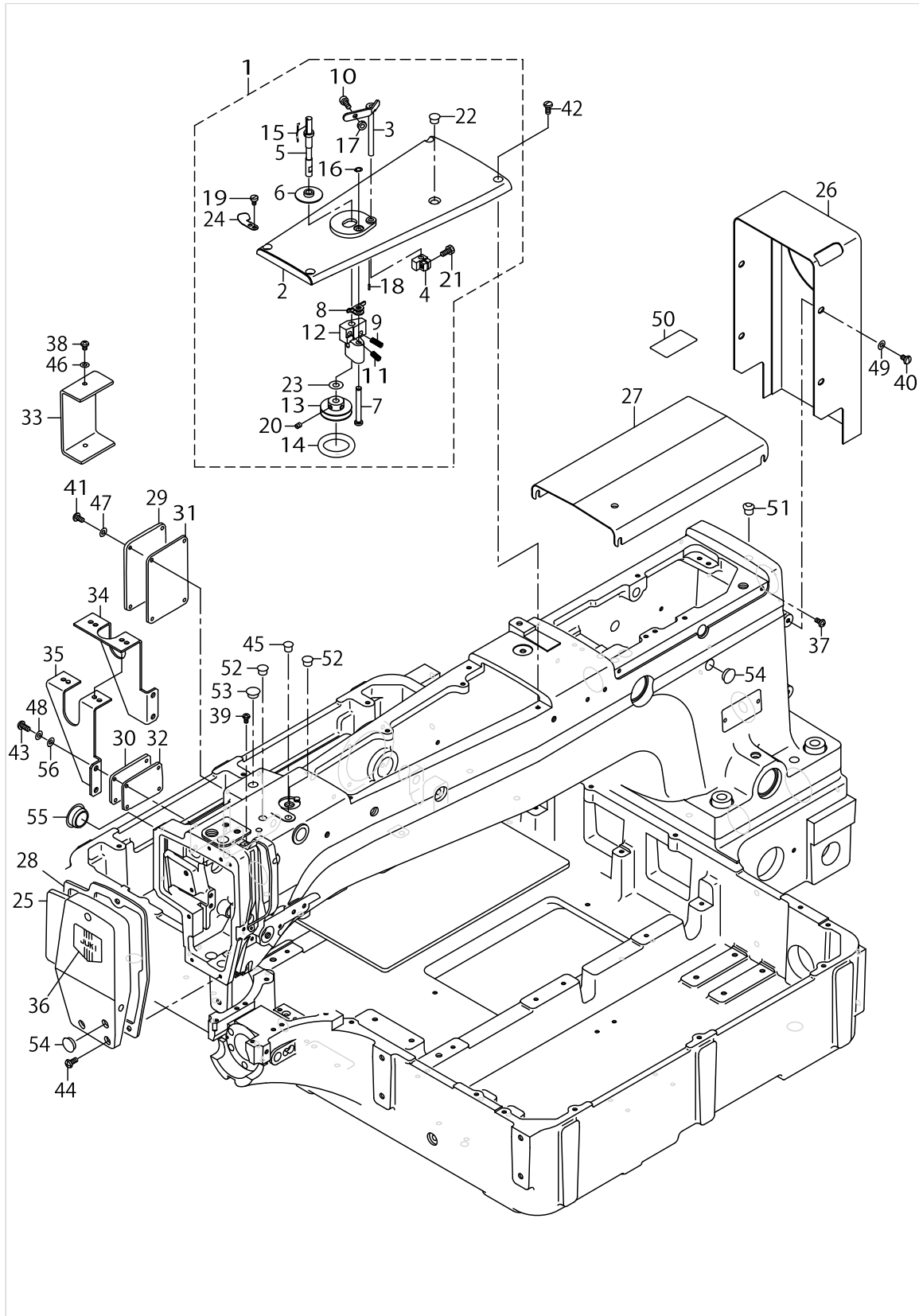
FRAME & MISCELLANEOUS COVER COMPONENTS (1)



FRAME & MISCELLANEOUS COVER COMPONENTS (1)

No.	Supply Code	Parts No.	Replacement	Parts name	Remarks	Choice	Step	Level	Cons	Qty	Rep. QTY
1		B1104223CA0		TOP COVER, FRONT ASM.						1	
2		B1104223C00		TOP COVER, FRONT				*		1	
3		B32012100A0		STOP LATCH ASM.				*		1	
4		B3203210000		CAM				*		1	
5		B3204210000		SPINDLE				*		1	
6		B3205210000		CUSHION				*		1	
7		B3206210000		SCREW STUD				*		1	
8		B3207210000		TRIP LATCH				*		1	
9		B3208210000		SPRING A				*		1	
10		B3208280000		BOBBIN WINDER A- DJUSTING SCREW				*		1	
11		B3209210000		SPRING B				*		1	
12		B3210210000		BOBBIN WINDER BASE				*		1	
13		B3211210000		BOBBIN WINDER WHEEL				*		1	
14		B3212210000		FRICTION WHEEL				*		1	
15		B3212761000		LATCH SPRING				*		1	
16		D2430555B00		SNAP RING				*		1	
17		NS6110530SP		NUT 11/64-40				*		1	
18		PS0150065KP		SPRING PIN 1.5X6				*		1	
19	R	SS6090620SP	SS6090620TP	SCREW 9/64-40 L=6				*		2	1.00
20		SS8110520TP		SCREW 11/64-40 L= 4.5				*		2	
21		SS9111020TP		SCREW 11/64-40L=10				*		1	
22		TA0850604R0		RUBBER PLUG				*		1	
23		WP0651056SH		WASHER 6.5X11X1				*		1	
24		10502300		THREAD CUTTER				*		1	
25	D R	B110522000A	B11052200AA	FACE PLATE						1	1.00
26		B1107223C00		BELT COVER						1	
27	D	B1109223C00		TOP COVER, REAR						1	
28		B1117220000		FACE PLATE GASKET						1	
29		B112222000B		COVER (A)						1	
30		B112322000B		COVER (B)						1	
31		B1124220000		GASKET A						1	
32	D	B1125220000		GASKET B						1	
33		B112821000B		SWITCH COVER						1	
34		B1142223C00		FIXING PLATE A						1	
35		B1143223C00		FIXING PLATE B						1	
36		B1178191000		FACE PLATE DRESSING TABLE						1	
37		SL4040891SC		SCREW M4 L=8						4	
38		SM4040601SC		SCREW M4X0.7 L=6						2	
39		SS4090715SP		SCREW 9/64-40 L=7						2	
40		SS4110715SP		SCREW 11/64-40 L=7						4	
41		SS4110815SP		SCREW 11/64-40 L=8						4	
42		SS4111015SP		SCREW 11/64-40L=10						4	
43		SS4111015SP		SCREW 11/64-40L=10						4	
44		SS4111015SP		SCREW 11/64-40L=10						3	
45		TA0750704R0		RUBBER PLUG						1	
46		WP0430801SC		WASHER 4.3X9X0.8						2	

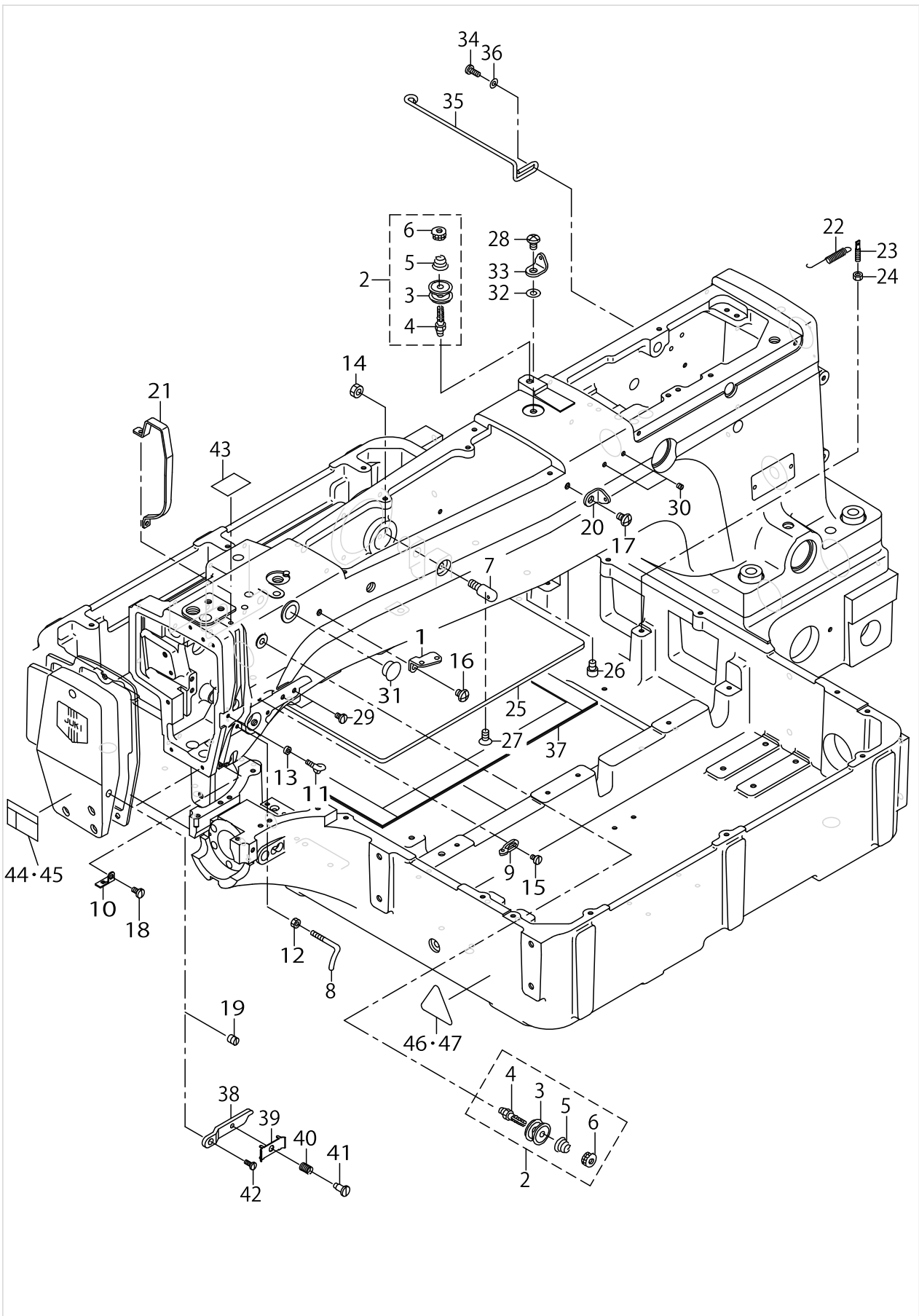
FRAME & MISCELLANEOUS COVER COMPONENTS (1)



FRAME & MISCELLANEOUS COVER COMPONENTS (1)

No.	Supply Code	Parts No.	Replacement	Parts name	Remarks	Choice	Step	Level	Cons	Qty	Rep. QTY
47		WP045000SD		WASHER 4.5X8X0.5						4	
48		WT0430002KN		WASHER M4						4	
49		WP0450801SD		WASHER 4.5X10X0.8						4	
50		29145505		THREADING SHELL						1	
51		22901409		NEEDLE BAR UPPER BUSH CAP						1	
52		TA0850604R0		RUBBER PLUG						2	
53		TA1050504R0		RUBBER PLUG						1	
54		TA1250406R0		RUBBER PLUG D=12.5 L=4						3	
55		TA2100904R0		RUBBER PLUG						1	
56		WP045000SD		WASHER 4.5X8X0.5						4	

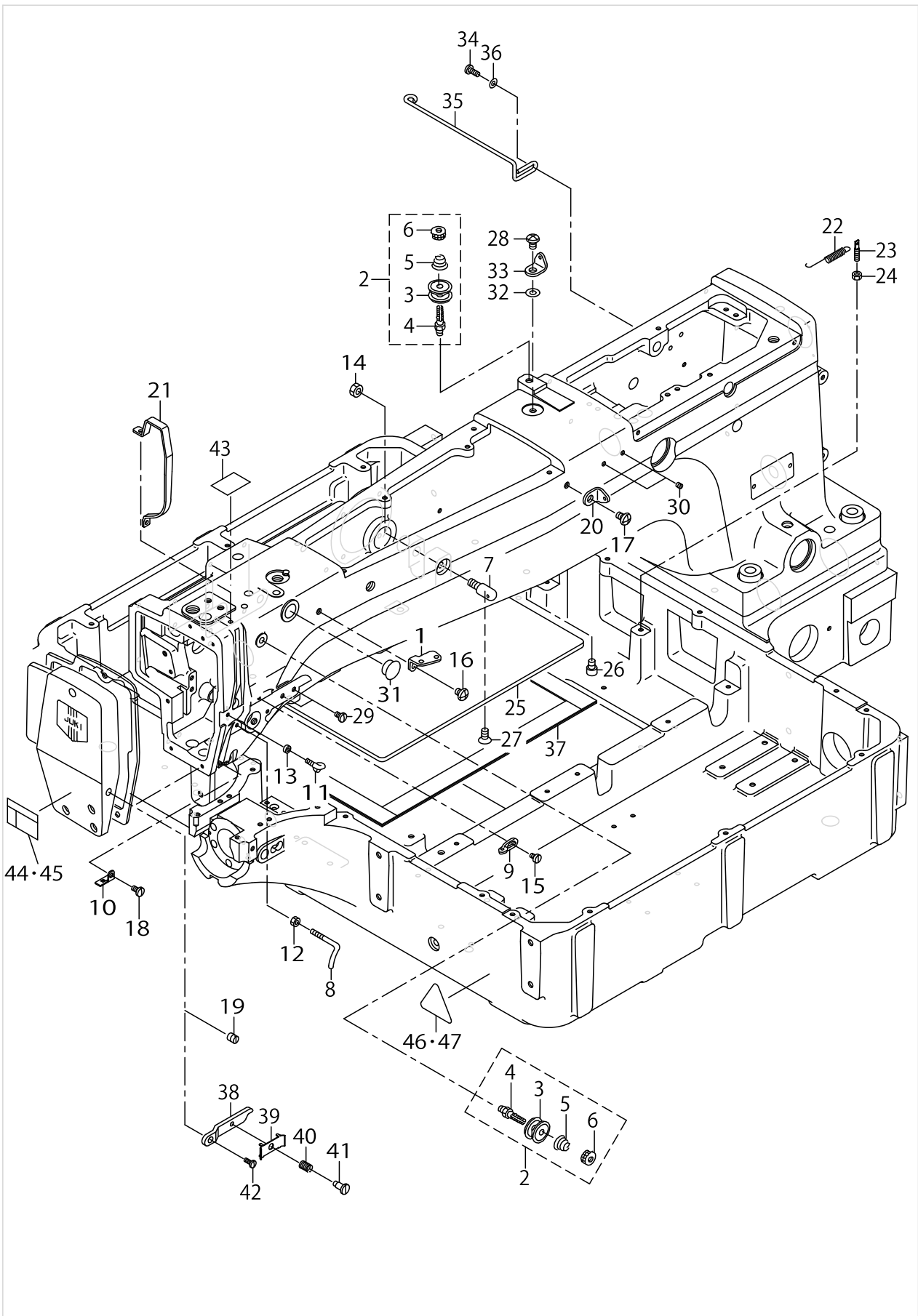
FRAME & MISCELLANEOUS COVER COMPONENTS (2)



FRAME & MISCELLANEOUS COVER COMPONENTS (2)

No.	Supply Code	Parts No.	Replacement	Parts name	Remarks	Choice	Step	Level	Cons	Qty	Rep. QTY
1	R	B1111232000	26211904	THREAD GUIDE PLATE						1	1.00
2	R	B11152320A0	26218651	FIRST THREAD TENSION ASM.						2	1.00
3	R	B3126012000	22921506	THREAD TENSION DISK				*		4	1.00
4	R	B3123352000	26220400	THREAD TENSION ROD				*		2	1.00
5		B1115232000		FIRST THREAD TENSION SPRING				*		2	
6	R	B3125012000	22928808	THREAD TENSION NUT				*		2	1.00
7	R	B1123280000	26212001	FIRST THREAD GUIDE						1	1.00
8		B1125215P00		L-SHAPED THREAD GUIDE						1	
9		B1126552000		ARMTHREADGUIDEA						1	
10		B1129210000		FRAME THREAD GUIDE (B)						1	
11		B3114771000		THREAD GUIDE						1	
12		NS6090310SP		NUT 9/64-40						1	
13		NS6090310SP		NUT 9/64-40						1	
14		NS6150310SP		NUT 15/64-28						1	
15		SS6090630TP		SCREW 9/64-40 L=6						1	
16		SS4150915SP		SCREW 15/64-28 L=9						1	
17		SS4150915SP		SCREW 15/64-28 L=9						1	
18		SS7110840SP		SCREW 11/64-40 L=7.8						1	
19		SS8090410SP		SCREW 9/64-40L=3.5	S & H TYPE					1	
20	R	13786306	40010414	THREAD GUIDE NO.1						1	1.00
21		26211607		BALANCE COVER						1	
22		B2431215000		THREAD TRIMMER LINK SPRING						1	
23	R	B1649161000	26226506	TENSION SPRING A-DJUSTING SCREW						1	1.00
24		NS6110310SP		NUT 11/64-40						1	
25	D	B1502224C00		PRESSER PLATE.						1	
26		SM6060802TP		SCREW M6 L=8						2	
27		B1503223C00		SCREW						4	
28		SS4150915SP		SCREW 15/64-28 L=9						1	
29		SS7110710SP		SCREW 11/64-40 L=7						2	
30	D	SS8110560SP		SCREW 11/64-40 L=4.5						2	
31		TA1470704R0		RUBBER PLUG						1	
32		WP0621016SD		WASHER 6.2X13X1						1	
33	R	13786306	40010414	THREAD GUIDE NO.1						1	1.00
34		SS7111120TP		SCREW						2	
35		B2568223C00		AIR TUBE SUPPORT						1	
36		WP0450801SD		WASHER 4.5X10X0.8						2	
37		B1504224C00		PRESSER PLATE SHEET.						1	
38	D	B1145210000		INSTALLING BASE	G TYPE					1	
39		10129104		THREAD PRESSER PLATE	G TYPE					1	
40		B1132521000		THREAD PRESSER PLATE SPRING	G TYPE					1	
41		SD0380551SL		HINGE SCREW D= 3.80 H= 5.5	G TYPE					1	
42	R	SS7090910SP	SS7090910TP	SCREW 9/64-40 L= 8.5	G TYPE					1	1.00
43	D	B1143210000		LABEL	FOR JE					1	
44		CM300200301		SAFETY LABEL, 5(SMALL).	FOR USE IN JAPAN					1	
45		CM3002003A1		SAFETY LABEL.,6 (SMALL).	FOR EXPORT					1	
46		CM3002000B2		LABEL(25).	FOR USE IN JAPAN					1	

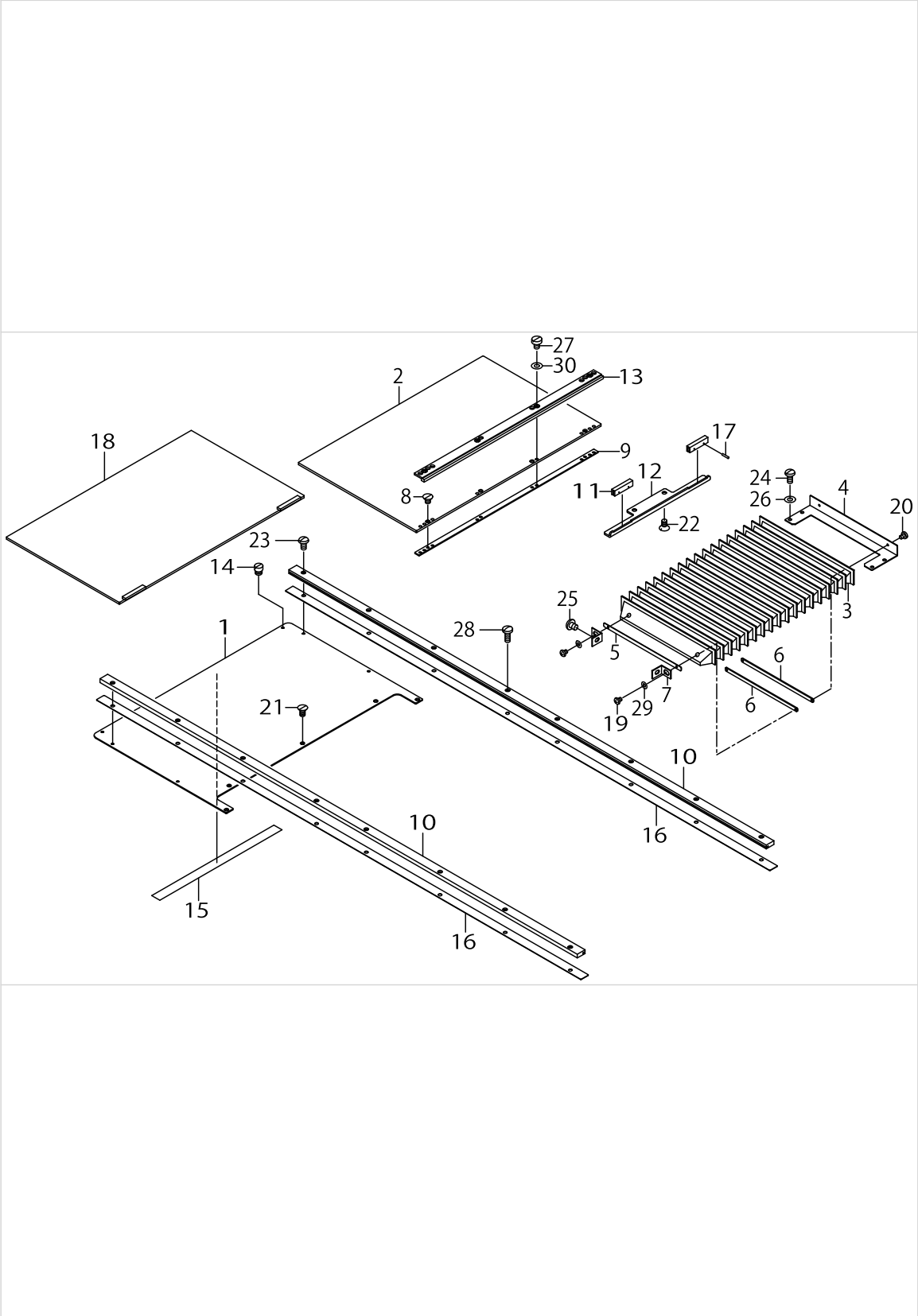
FRAME & MISCELLANEOUS COVER COMPONENTS (2)



FRAME & MISCELLANEOUS COVER COMPONENTS (2)

No.	Supply Code	Parts No.	Replacement	Parts name	Remarks	Choice	Step	Level	Cons	Qty	Rep. QTY
47		CM300200002		CAUTION LABEL(25)	FOR JE					1	

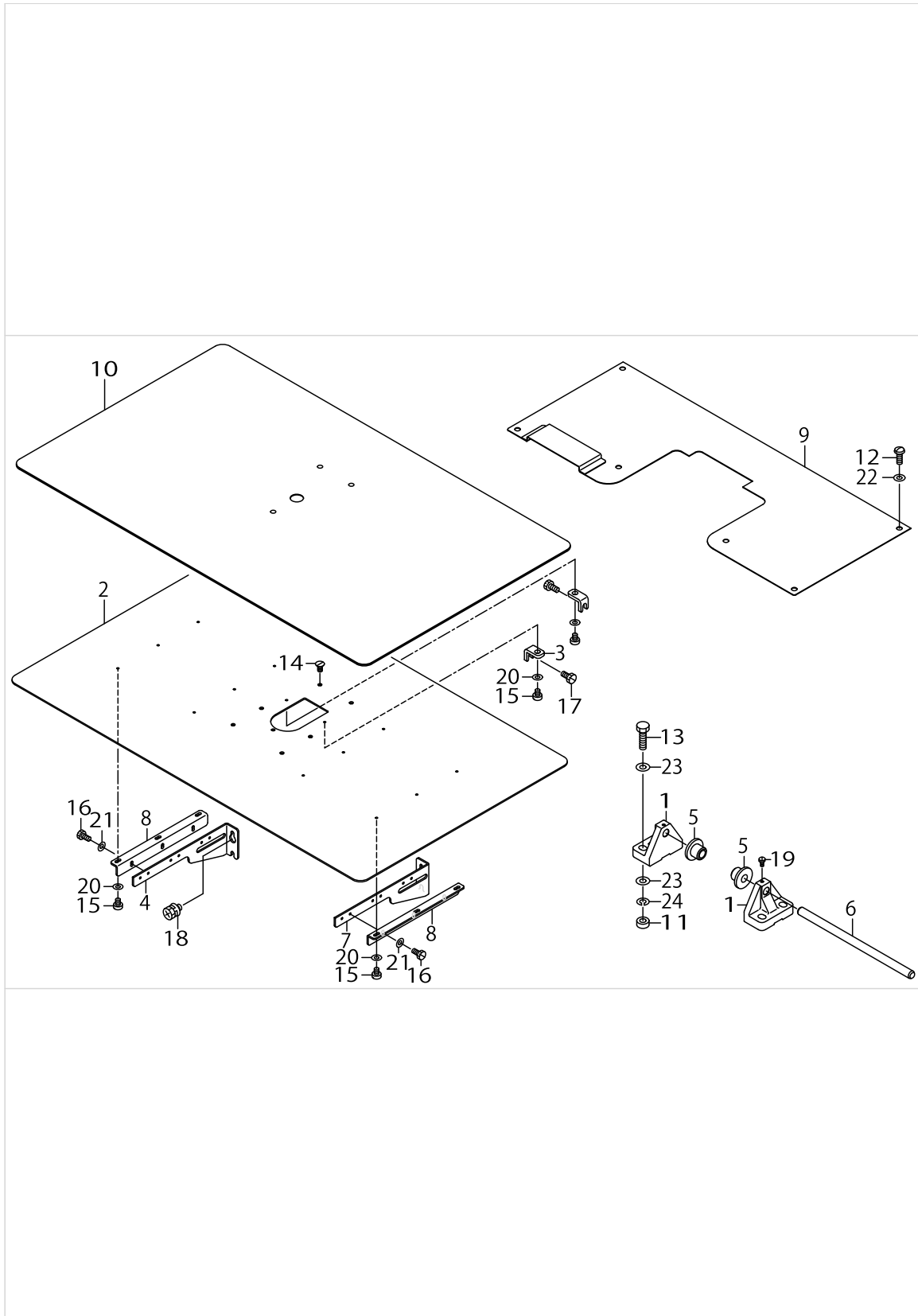
FRAME & MISCELLANEOUS COVER COMPONENTS (3)



FRAME & MISCELLANEOUS COVER COMPONENTS (3)

No.	Supply Code	Parts No.	Replacement	Parts name	Remarks	Choice	Step	Level	Cons	Qty	Rep. QTY
1		B1108224C00		FEED BASE COVER.						2	
2		B1188224CA0		UPPER COVER ASM.						2	
3		B1153223C00		MOVEMENT COVER						1	
4		B1154223C00		MOVEMENT COVER STAY						1	
5		B1155223C00		FIXING PLATE						1	
6		B1156223C00		FIXING PLATE B						2	
7		B1157215000		MOVEMENT COVER PLATE						2	
8		SS1110640TP		SCREW 11/64-40 L= 5.5						8	
9		B1180223C00		RAIL INSTALLING PLATE						2	
10		B1181224C00		RAIL X						2	
11		B1193223C00		GUIDE RAIL CLICK						4	
12		B1182223C00		RAIL GUIDE						2	
13		B1183224C00		RAIL Y						2	
14		D2522232D00		PIN						2	
15		B1198229000		FEED BASE COVER HOLDING RUBBER						2	
16		B1189224C00		RAIL GUIDE X						2	
17		PS0150065KP		SPRING PIN 1.5X6						8	
18		B1187224CA0		LOWER COVER ASM.						2	
19		SM4030401SC		SCREW M3X0.5 L=4						2	
20		SM7030450SC		SCREW M3X0.5 L=4						2	
21		SS1110840SP		SCREW 11/64-40 L=8						10	
22		SS1110840SP		SCREW 11/64-40 L=8						4	
23		SS4110815SP		SCREW 11/64-40 L=8						8	
24		SS4110915SP		SCREW 11/64-40 L=9						4	
25		SS4120615SP		SCREW 3/16-28 L=6						2	
26		WP0450801SD		WASHER 4.5X10X0.8						4	
27		SS6110610TP		SCREW 11/64-40 L=6						8	
28		SS7111120TP		SCREW						8	
29		WP0330501SB		WASHER M3						2	
30		WP0450000SD		WASHER 4.5X8X0.5						8	

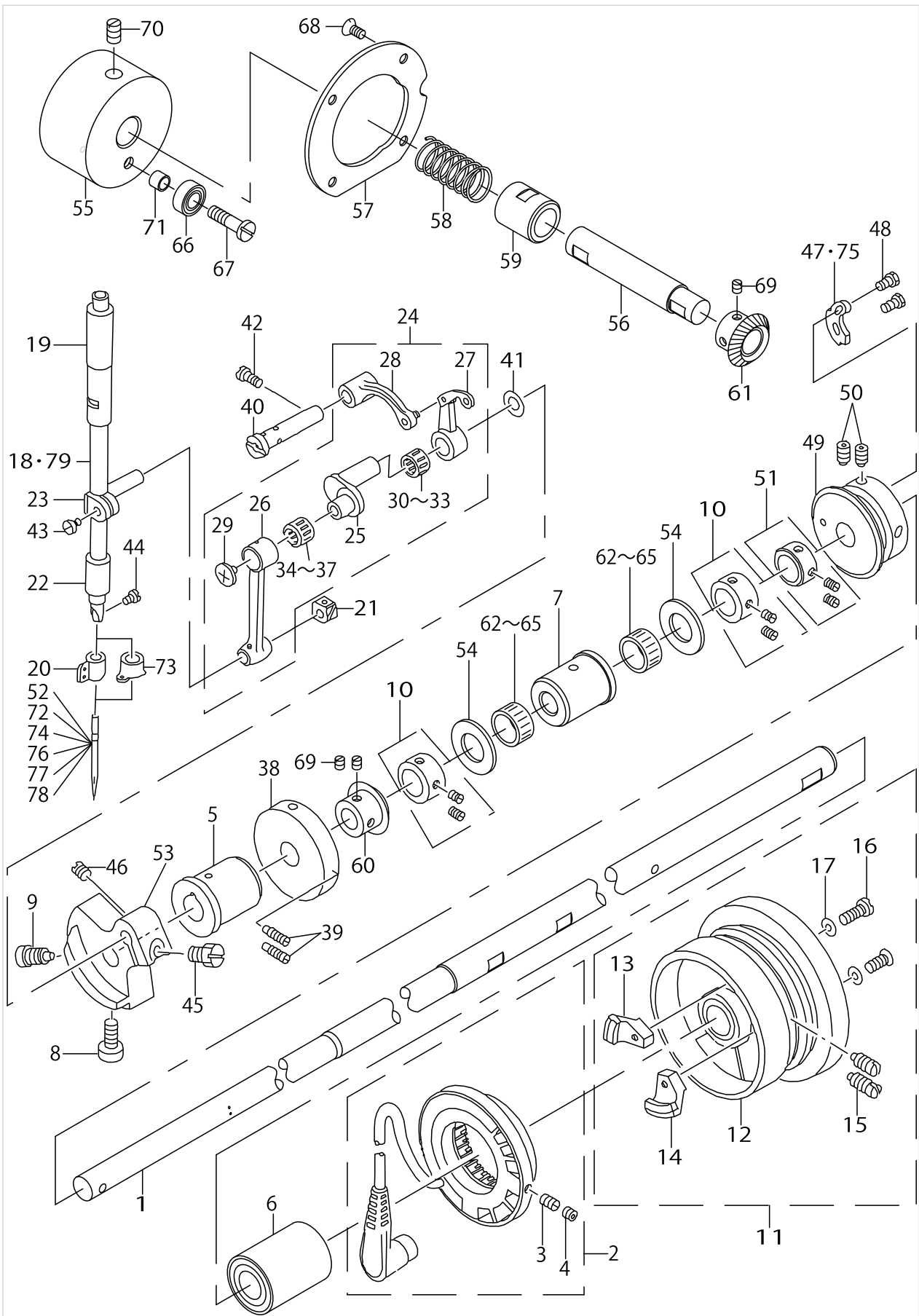
FRAME & MISCELLANEOUS COVER COMPONENTS (4)



FRAME & MISCELLANEOUS COVER COMPONENTS (4)

No.	Supply Code	Parts No.	Replacement	Parts name	Remarks	Choice	Step	Level	Cons	Qty	Rep. QTY
1		B111122000A		BED HINGE						2	
2		B1112224C00		THROAT PLATE AU- XILIARY COVER.						1	
3		B1113223C00		COVER SUPPORTER						2	
4	D	B1121223C00		COVER SUPPORTER, RIGHT						2	
5		B1115220000		RUBBER PAD A						2	
6		B1120223C00		HING SHAFT						1	
7	D	B1121223C0A		COVER SUPPORTER, LEFT						2	
8		B1132223C00		COVER BASE						4	
9	D	B1159223C00		TABLE COVER, REAR						1	
10		B1170224C00		AUXILIARY COVER SHEET.						1	
11		NM6120011SF		NUT M12						4	
12		SM5051400SC		SCREW M5 L=14						6	
13		SM9124503SB		SCREW M12 L=45						4	
14		SS1110840SP		SCREW 11/64-40 L=8						2	
15		SS6110610TP		SCREW 11/64-40 L=6						14	
16		SS9110920CP		SCREW 11/64-40 L=9						12	
17		SS9121010TP		SCREW						2	
18		SL9061291SE		WASHER HEXAGON- AL BOLT M6 L=12						8	
19		SS9151240SN		SCREW 15/64-28 L=11.5						2	
20		WP0520656SA		WASHER 5.2X9.5X0.6						14	
21		WP0520656SA		WASHER 5.2X9.5X0.6						12	
22		WP0841601SC		WASHER 8.4X17.4X1.6						10	
23		WP1302501SE		WASHER M12						8	
24		WS1253010KN		SPRING WASHER 12.5X21.5X3						4	

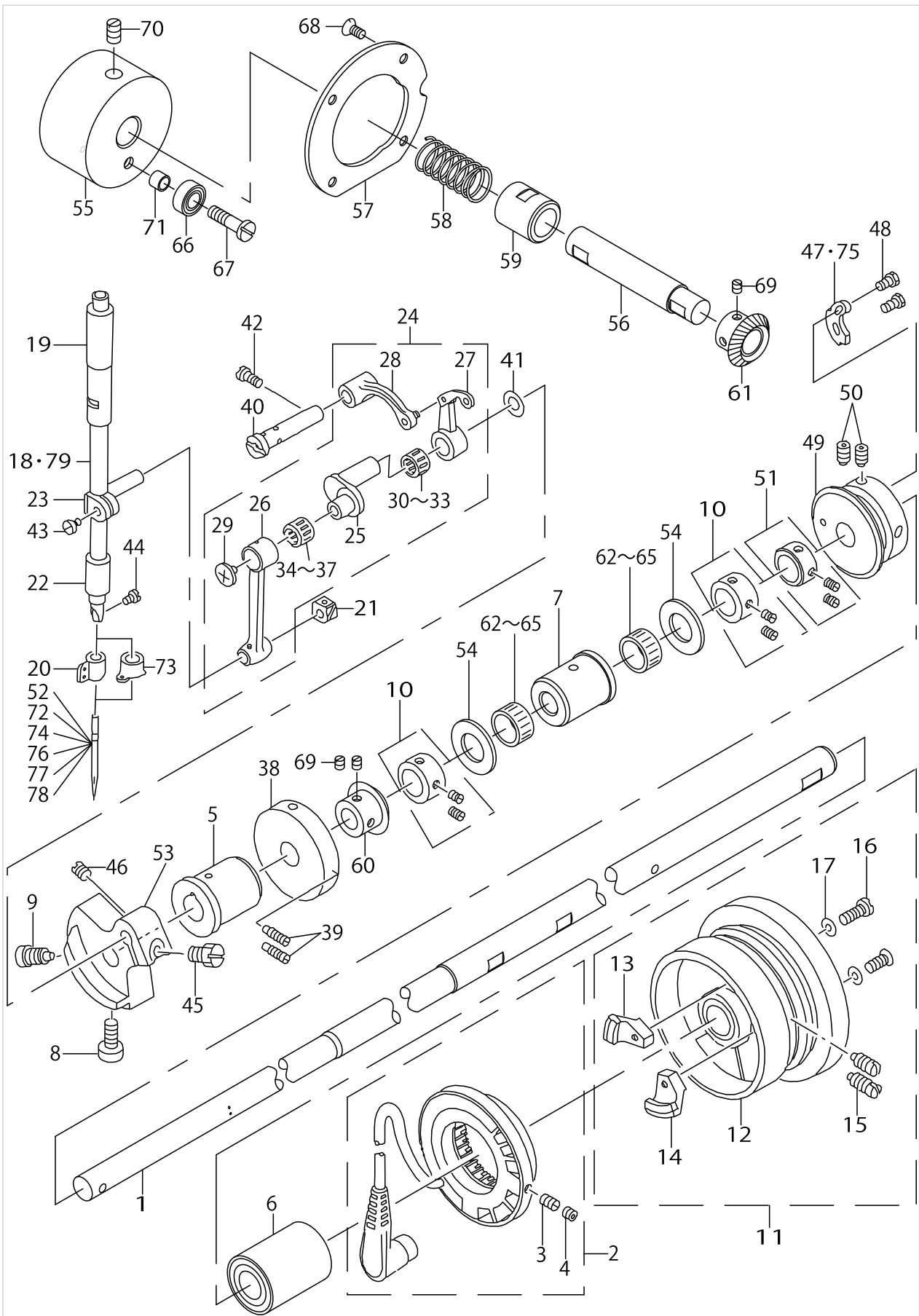
MAIM SHAFT & NEEDLE BAR COMPONENTS



MAIM SHAFT & NEEDLE BAR COMPONENTS

No.	Supply Code	Parts No.	Replacement	Parts name	Remarks	Choice	Step	Level	Cons	Qty	Rep. QTY
1	D	B1201223C00		MAIN SHAFT						1	
2		B12092200A0		GENERATOR STATOR ASM.						1	
3		SS8111010TP		SCREW 11/64-40 L=9.5				*		2	
4		SS8110422TP		SCREW 11/64-40 L=4				*		2	
5		B1202210000		BUSHING, FRONT						1	
6		B12042100A0		BUSHING, REAR						1	
7		B1203223C00		BUSHING INTERMEDIATE						1	
8		SS6151412TP		SCREW 15/64-28L=14						1	
9		SS6681712TP		SCREW 9/32-28 L=16.5						1	
10		CS147121ESH		THRUST COLLAR A- SM.D=14.72 W=12						2	
11		B12052100BA		HAND WHEEL ASM.						1	
12	R	B12052100AA	B12052100BA	HAND WHEEL ASM.				*		1	1.00
13		M40071100AB		MAGNET FITTING BASE B ASM.				*		1	
14		B12082100A0		SOLENOID INSTALL- ING PLATE ASM.				*		1	
15		SS8151550SP		SCREW 15/64-28L=15				*		2	
16		SS6111210SP		SCREW 11/64-40L=12				*		2	
17		WP0450801SD		WASHER 4.5X10X0.8				*		2	
18		B1401210000		NEEDLE BAR						1	
19	R	B1402280000	26203208	NEEDLE ROD METAL						1	1.00
20		B1405210000		THREAD GUIDE A	S TYPE					1	
21		B1414232000		SQUARE BLOCK						1	
22		B1403280000		NEEDLE ROD LOWER METAL						1	
23		B14115520A0		NEEDLE BAR CONNECTING ASM.						1	
24	R	B19012100B0	B19012100C0	THREAD TAKE-UP LEVER ASM.						1	1.00
25		B1407210000		NEEDLE BAR CRANK				*		1	
26		B1404280000		NEEDLE BAR CRANK ROD				*		1	
27	R	B19012100A0	B19012100C0	THREAD TAKE-UP LEVER COMPL.				*		1	1.00
28	R	B1903210000	B19012100C0	THREAD TAKE-UP CRANK				*		1	1.00
29		B1903552000		LEFT SCREW				*		1	
30		B1905541A00		NEEDLE BEARING, A	SELECTIVE PARTS			*		1	
31		B1905541B00		NEEDLE BEARING	SELECTIVE PARTS			*		1	
32		B1905541C00		NEEDLE BEARING	SELECTIVE PARTS			*		1	
33		B1905541D00		NEEDLE BEARING	SELECTIVE PARTS			*		1	
34		B1411804A00		BEARING (A)	SELECTIVE PARTS			*		1	
35		B1411804B00		NEEDLE DRIVING L- EVER BEARING B	SELECTIVE PARTS			*		1	
36		B1411804C00		NEEDLE DRIVING L- EVER BEARING C	SELECTIVE PARTS			*		1	
37		B1411804D00		BEARING (D)	SELECTIVE PARTS			*		1	
38		B3213205000		BOBBIN WINDER DRIVING WHEEL						1	
39		SS8111610SP		SCREW 11/64-40 L=15.5						2	
40		B1904280000		BALANCE CRANK PIN						1	
41		B1223771000		NEEDLE ROD CRANK WASHER						1	
42		SS7151120SP		SCREW 15/64-28L=11						1	
43		SS6090670TP		SCREW 9/64-40 L=6						1	
44		SS7080510TP		SCREW 1/8-44 L=4.5						1	
45		SS9661230CP		SCREW 1/4-40 L=12						1	

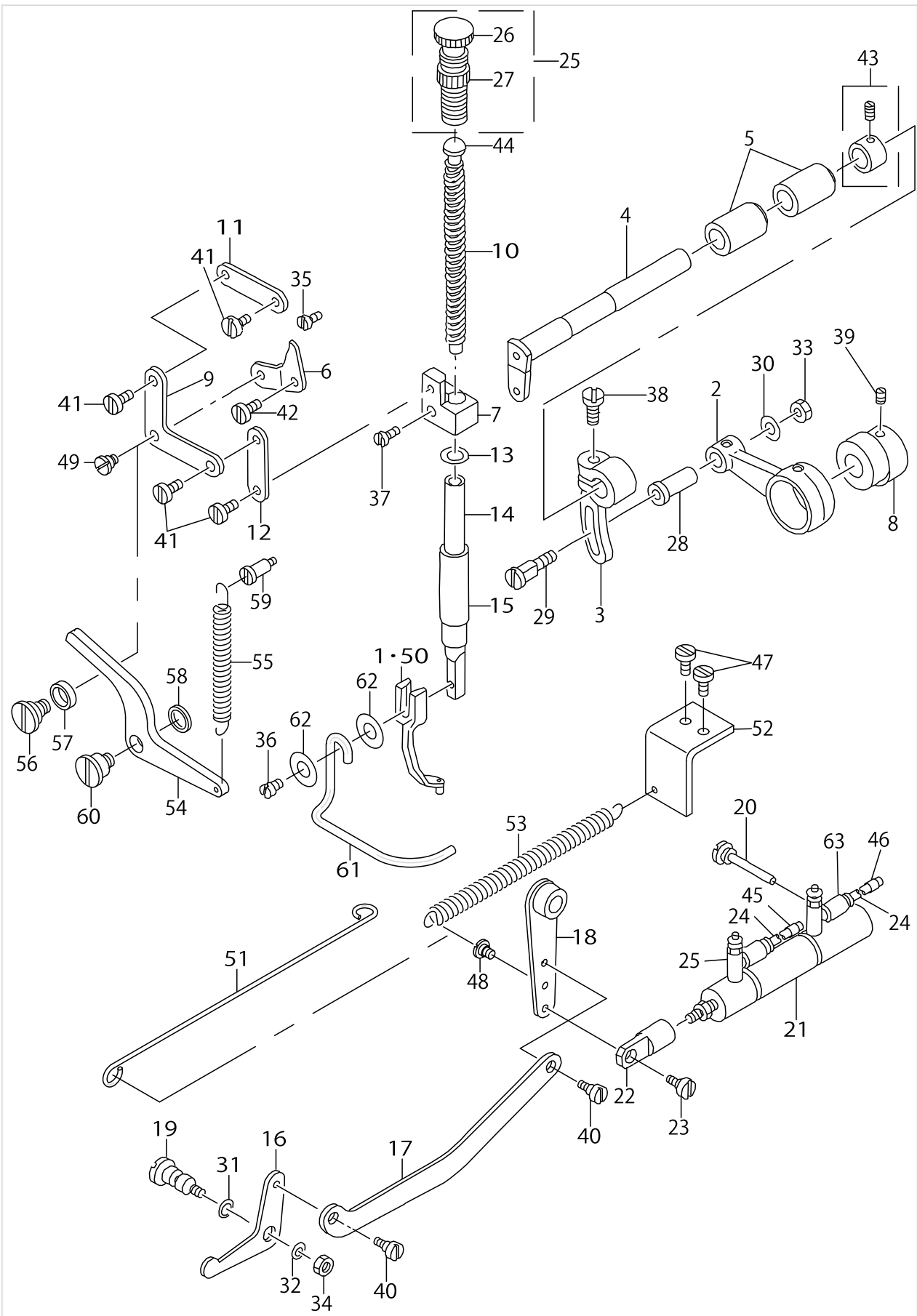
MAIM SHAFT & NEEDLE BAR COMPONENTS



MAIM SHAFT & NEEDLE BAR COMPONENTS

No.	Supply Code	Parts No.	Replacement	Parts name	Remarks	Choice	Step	Level	Cons	Qty	Rep. QTY
46		SS8660610TP		SCREW 1/4-40 L=6						1	
47		B2312220000		TENSION RELEASE NOTCH	S & H TYPE					1	
48		SS9090833TP		SCREW						2	
49		B2401205000		THREAD TRIMMER CAM						1	
50		SS8661012TP		SCREW						2	
51		CS1470710SH		THRUST COLLAR A-SM. D=14.72 W=7						1	
52		MDP500B1400		NEEDLE DPX5 #14	S TYPE(EXCEPT JE)					1	
53		B1206210A00		COUNTERWEIGHT						1	
54		B1211980000		UPPER SHAFT THRUST BEARING						2	
55		B1212223C00		AUXILIARY PULLY						1	
56		B1213223C00		PULLY SHAFT						1	
57		B1214223C00		FIXING PLATE						1	
58		B1215223C00		SPRING						1	
59		B1606155000		FEED ROCKER SHAFT BUSHING, REA						1	
60		B1811059A00		HOOK CONNECTING SHAFT MIGHTER						1	
61		B1811059B00		HOOK CONNECTING SHAFT MIGHTER						1	
62		D1230555B0A		NEEDLE BEARING A						2	
63		D1230555B0B		NEEDLE BEARING (B)	SELECTIVE PARTS					2	
64		D1230555B0C		NEEDLE BEARING (C)	SELECTIVE PARTS					2	
65		D1230555B0D		NEEDLE BEARING D	SELECTIVE PARTS					2	
66		SB106000400		CLUTCH BEARING						1	
67		SD0601051SP		HIGSCREWD=6H=13						1	
68		SS2110920TP		SCREW 11/64-40 L=8.5						4	
69	R	SS8110510SP	SS8110520TP	SCREW 11/64-40 L=5						4	1.00
70		SS8661030SP		SCREW 1/4-40 L=10						2	
71		22956809		BRACKET INSTALLING COLLAR						1	
72		MC200501000		NEEDLE #100	S TYPE(FOR JE)					1	
73	R	B1406210000	40026884	THREAD GUIDE	H & G TYPE					1	1.00
74		MDP170B1800		NEEDLE DPX17 #18	H TYPE(EXCEPT JE)					1	
75		B2312210A00		TENSION RELEASE NOTCH	COMMON USE PARTS FOR 07 & 09					1	
76		MC372001100		NEEDLE 135X17 #110	H TYPE(FOR JE)					1	
77		MDP170B2300		NEEDLE DPX17 #23	G TYPE(EXCEPT JE)					1	
78		MC372001600		NEEDLE SY3355 160	G TYPE(FOR JE)					1	
79		B1401210A00		NEEDLE BAR	COMMON USE PARTS FOR 07 & 09					1	

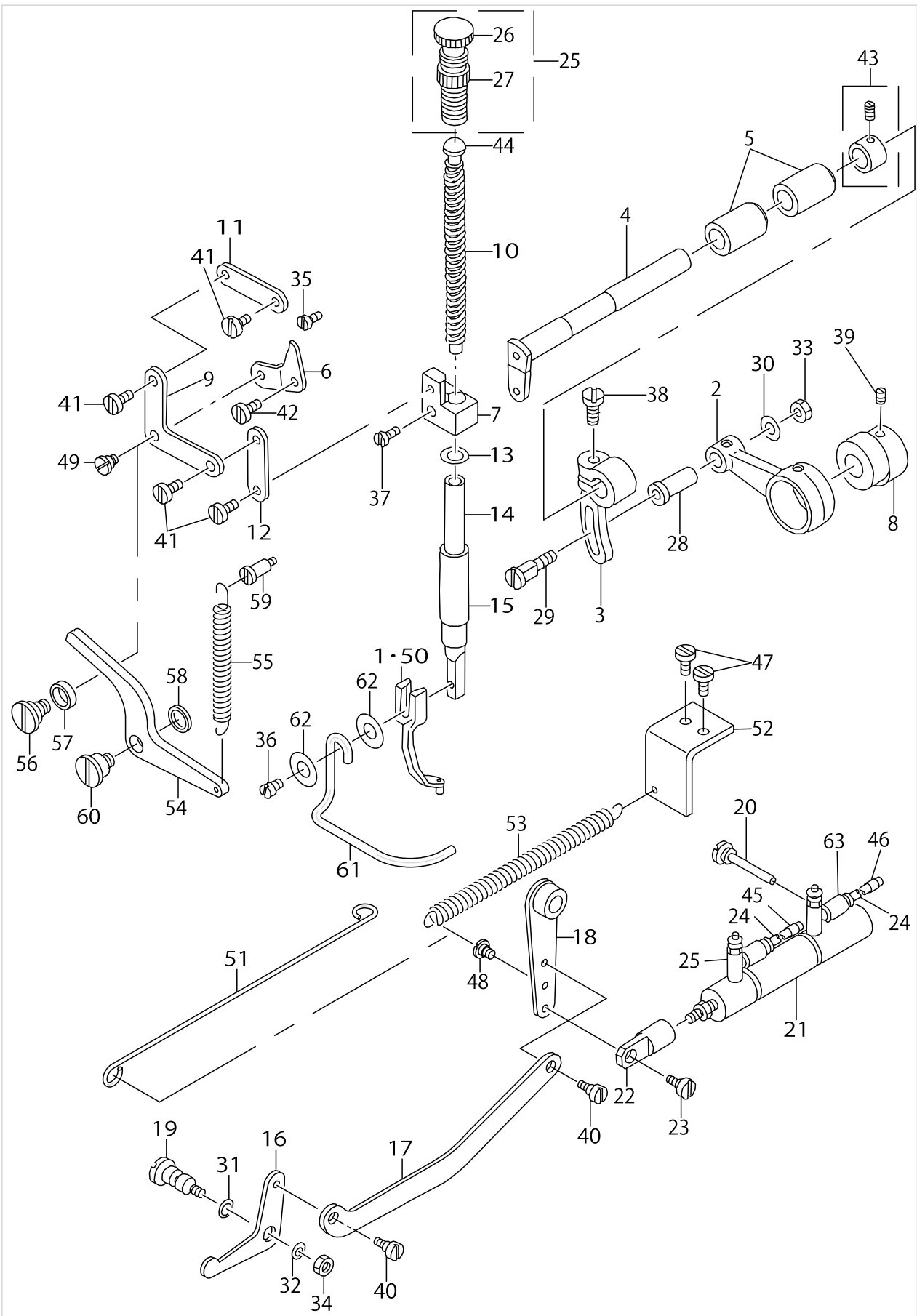
PRESSER MECHANISM COMPONENTS



PRESSER MECHANISM COMPONENTS

No.	Supply Code	Parts No.	Replacement	Parts name	Remarks	Choice	Step	Level	Cons	Qty	Rep. QTY
1		B160122000H		INNER PRESSER, H	S & H TYPE					1	
2		B1602220000		INTERMEDIATE PRESSER ROD						1	
3		B1603220000		INTERMEDIATE PRESSER ROD ARM						1	
4		B1604220000		INTERMEDIATE PRESSER SHAFT						1	
5		B1605220000		INTERMEDIATE PRESSER BUSHING						2	
6		B1606220000		POSITIONING LINK						1	
7	R	B1608220000	B16082200A0	GUIDE BRACKET						1	1.00
8		B1609220000		CAM						1	
9		B1610220000		L-SHAPED LINK						1	
10		B1611224000		SPRING						1	
11		B1612220000		SUSPENSION LINK A						1	
12		B1613220000		SUSPENSION LINK B						1	
13		B1614220000		SPACER						1	
14		B1615224000		PRESSER BAR						1	
15		B1616220000		PRESSER BAR BUSHING, LOWER						1	
16		B1620224000		LIFTING LINK						1	
17		B1621224000		CONNECTING LINK						1	
18		B16222240A0		CONNECTING LINK ARM ASM.						1	
19		B1627220000		LINK PIVOT PIN						1	
20	D	B1628220000		CYLINDER SUPPORT SCREW						1	
21		PA1603003A0		INTERMEDIATE PRESSER CYLINDER						1	
22		B1625224000		CYLINDER KNUCKLE						1	
23		SD0640321SP		HINGE SCREW D= 6.35 H= 3.2						1	
24		BT0400251EB		URETHANE HOSE, BLACK						2.5	
25		22907554		FEED ADJUSTER SCREW NUT ASM.						1	
26	R	22907505	22907554	PRESSER SPRING REGULATOR				*		1	1.00
27	R	22907604	22907554	PRESSER SPRING REGULATOR NUT				*		1	1.00
28		D1455055B00		CONNECTING STUD						1	
29		D1456055B00		HINGE SCREW						1	
30		D1457055B00		WASHER						1	
31		RO048190100		RUBBER RING						1	
32		WP0612066SP		WASHER 6.1X11X2						1	
33		NS6110530SP		NUT 11/64-40						1	
34		NS6150430SP		NUT 15/64-28						1	
35		SS6150710SP		SCREW						1	
36	R	SS7091110SP	SS7091110TP	SCREW 9/64-40 L=10.5						1	1.00
37		SS7111410TP		SCREW 11/64-40 L=14						1	
38		SS7661540SP		SCREW 1/4-40 L=15.0						1	
39		SS8660610TP		SCREW 1/4-40 L=6						2	
40		SD0640321SP		HINGE SCREW D= 6.35 H= 3.2						2	
41		SD0640321TP		HINGE SCREW D=6.35 H=3.2						4	
42		SD0720321TP		HINGE SCREW						1	
43		CS111101CSH		THRUST COLLAR ASM.D=11.11 W=10						1	
44		B1629224000		PRESSER GUIDE BAR						1	

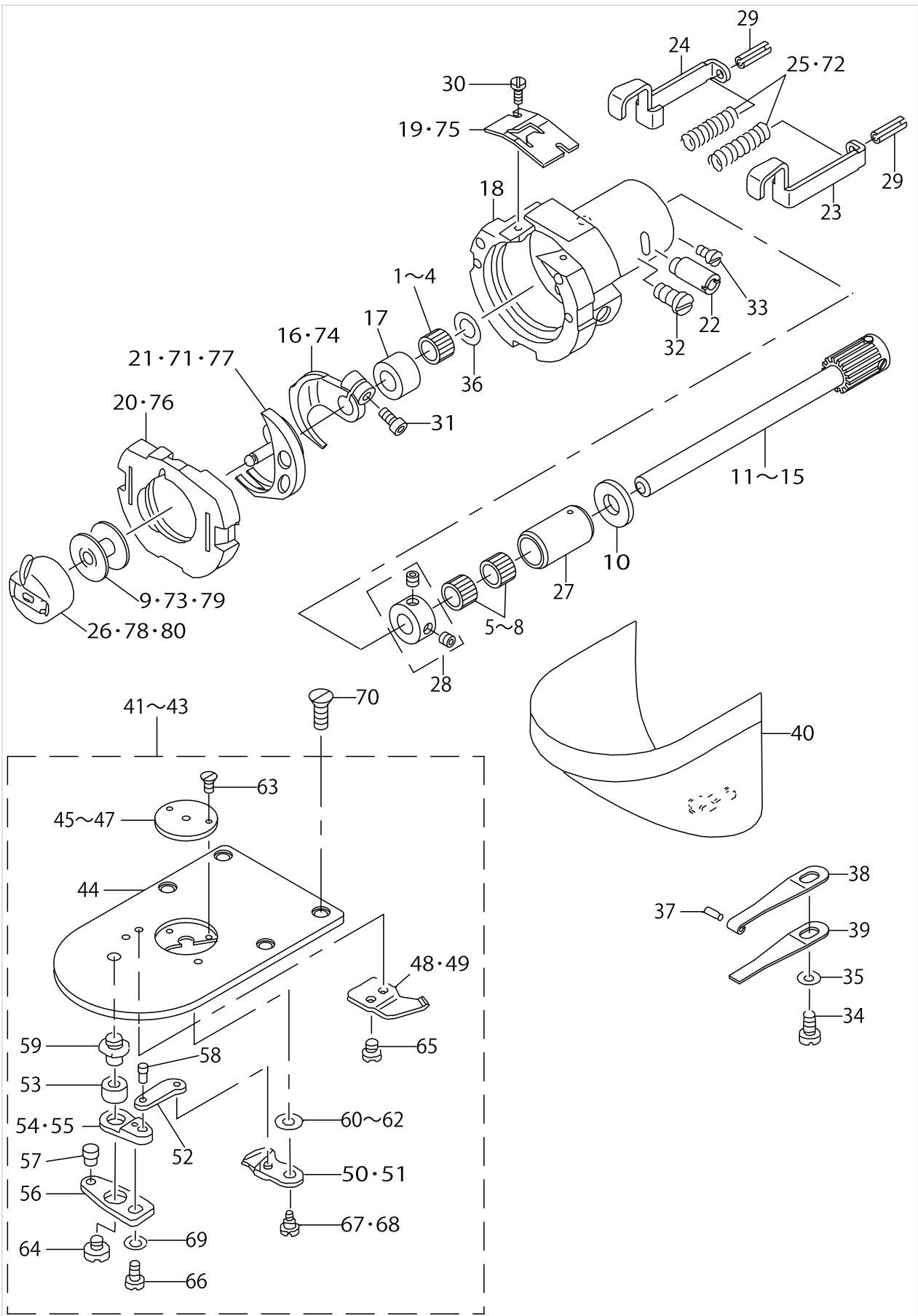
PRESSER MECHANISM COMPONENTS



PRESSER MECHANISM COMPONENTS

No.	Supply Code	Parts No.	Replacement	Parts name	Remarks	Choice	Step	Level	Cons	Qty	Rep. QTY
45		B471122000A		AIR TUBE LABEL J01						1	
46		B471122000B		AIR TUBE LABEL J02						1	
47		SS7110840SP		SCREW 11/64-40 L=7.8	H & G TYPE					2	
48		SD0550212TP		HINGE SCREW D=5.5 H=2.1	H & G TYPE					1	
49		SD0640321TP		HINGE SCREW D=6.35 H=3.2						1	
50		B160122000G		INNER PRESSER G	G TYPE					1	
51		B1646223C00		CONNECTING ROD	H & G TYPE					1	
52		B1612215000		LIFTING SPRING PLATE	H & G TYPE					1	
53		B1626215000		PRESSER LIFTING SPRING	H & G TYPE					1	
54	D	B1641215000		PRESSER PLATE	H & G TYPE					1	
55		B1642215000		SPRING B	H & G TYPE					1	
56		B1644215000		HINGE SCREW	H & G TYPE					1	
57		B1645215000		PRESSER LINK	H & G TYPE					1	
58		B322877100B		BOBBIN WINDER SPACER	H & G TYPE					1	
59		SD0550501SP		HINGE SCREW D=5.5 H=5	H & G TYPE					1	
60		SD0720321TP		HINGE SCREW	H & G TYPE					1	
61		B1634210000		FINGER GUARD						1	
62		WP0430800SC		WASHER M4						2	
63		PC010508000		SPEED CONTROLLER						2	

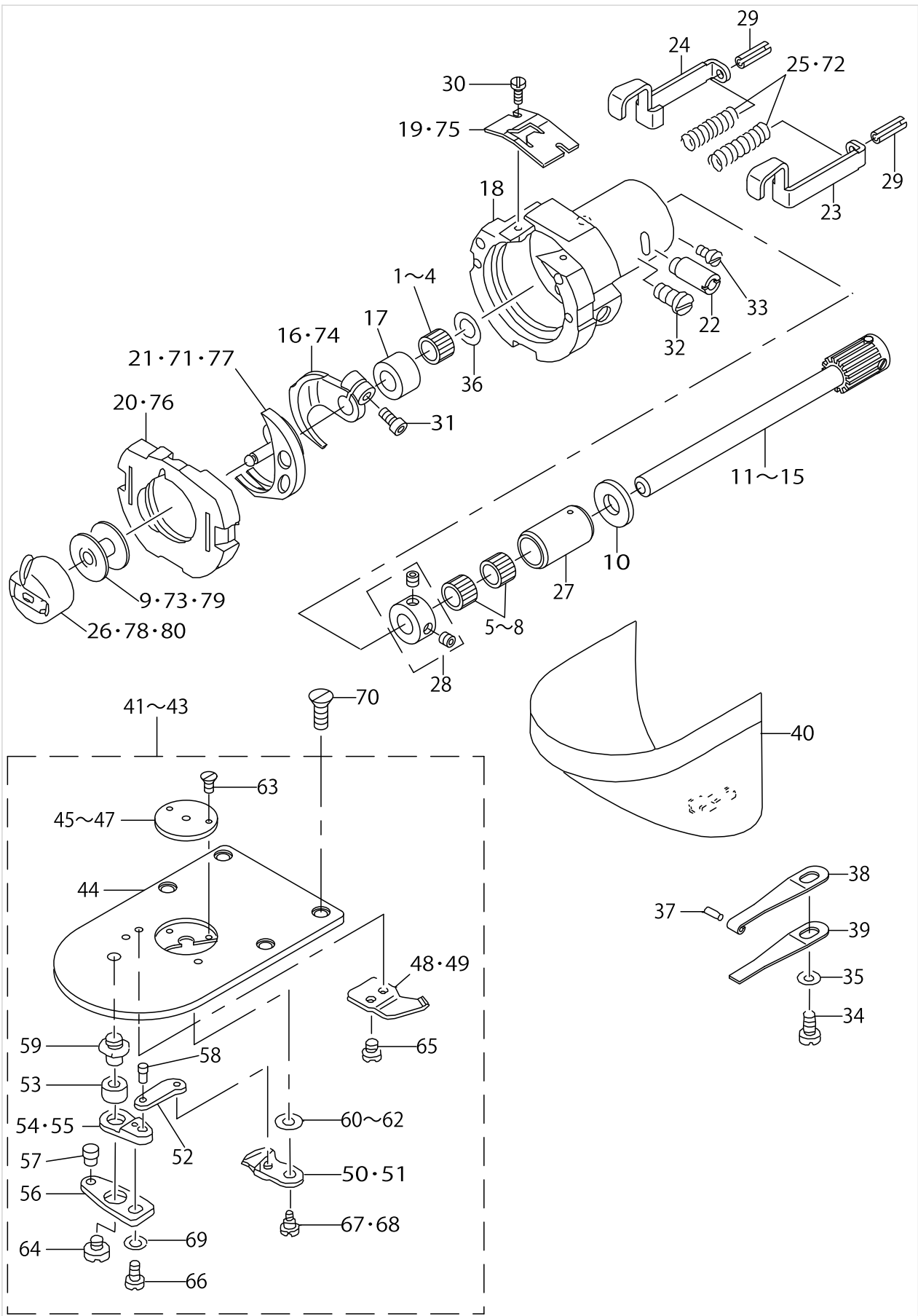
SHUTTLE DRIVER SHAFT COMPONENTS(1)



SHUTTLE DRIVER SHAFT COMPONENTS(1)

No.	Supply Code	Parts No.	Replacement	Parts name	Remarks	Choice	Step	Level	Cons	Qty	Rep. QTY
1		B1411804A00		BEARING (A)						1	
2		B1411804B00		NEEDLE DRIVING L- EVER BEARING B	SELECTIVE PARTS					1	
3		B1411804C00		NEEDLE DRIVING L- EVER BEARING C	SELECTIVE PARTS					1	
4		B1411804D00		BEARING (D)	SELECTIVE PARTS					1	
5		B1430180A00		NEEDLE BEARING						2	
6		B1430180B00		NEEDLE BEARING	SELECTIVE PARTS					2	
7		B1430180C00		NEEDLE BEARING C	SELECTIVE PARTS					2	
8		B1430180D00		NEEDLE BEARING	SELECTIVE PARTS					2	
9		B1805205000		BOBBIN	S TYPE					1	
10		B1808980000		LOWER SHAFT THRUST WASHER						1	
11		B1811223CAA		SHUTTLE DRIVER SHAFT A ASM.						1	
12		B1811223CAB		SHUTTLE DRIVER SHAFT B ASM.	SELECTIVE PARTS					1	
13	D	B1811223CAC		SHUTTLE DRIVER SHAFT C ASM.	SELECTIVE PARTS					1	
14	D	B1811223CAY		SHUTTLE DRIVER SHAFT Y ASM.	SELECTIVE PARTS					1	
15		B1811223CAZ		SHUTTLE DRIVER SHAFT Z ASM.	SELECTIVE PARTS					1	
16	R	B1812205000	B18122050A0	SHUTTLE DRIVER	COMMON USE PARTS FOR 02 & 03					1	1.00
17		B1813980000		SHUTTLE NEEDLE OUTER RING						1	
18		B1814215000		SHUTTLE						1	
19	R	B1815980000	26222109	SHUTTLE UPPER SPRING	COMMON USE PARTS FOR 02 & 03					1	1.00
20		B18172050A0		SHUTTLE RACE RING ASM.	COMMON USE PARTS FOR 02 & 03					1	
21		B1818205000		SHUTTLE	S TYPE					1	
22		26222208		SHUTTLE RACE AD- JUSTING SHAFT						1	
23		26222307		INNER HOOK PRESSER, RIGHT	S TYPE					1	
24		26222406		INNER HOOK PRESSER, LEFT	S TYPE					1	
25	R	B1823280000	26222505	INNER HOOK PRESSER SPRING	S TYPE					2	1.00
26		B18282050A0		BOBBIN CASE ASM.	S TYPE					1	
27		B1847223C00		BUSHING, REAR						1	
28		CS080081FSH		THRUST COLLAR ASM.						1	
29		PS0250162KH		SPRING PIN 2.5X16						2	
30		SS6060410TP		SCREW 3/32-56 L=3.5						2	
31		SS6121212TP		SCREW 3/16-28 L=12.0						1	
32		SS6151220SP		SCREW 15/64-28 L=11.5						1	
33		SS7110510SP		SCREW 11/64-40 L=5						1	
34		SS7110840SP		SCREW 11/64-40 L=7.8						1	
35		WP0531000SD		WASHER M5						1	
36		WP0952616SD		WASHER 9.5X14.8X2.6						1	
37		13508700		HOOK COVER PRE- SSER SPRING PIN						1	
38		26221101		HOOK COVER PRESSER SPRING A						1	
39		26221200		HOOK COVER PRESSER SPRING B						1	
40	R	13816855	40142674	CYLINDER ARM CAP						1	1.00
41		B24252150A0		NEEDLE PLATE ASM.	S TYPE					1	
42		B24252150AB		NEEDLE PLATE H ASM.	H TYPE					1	

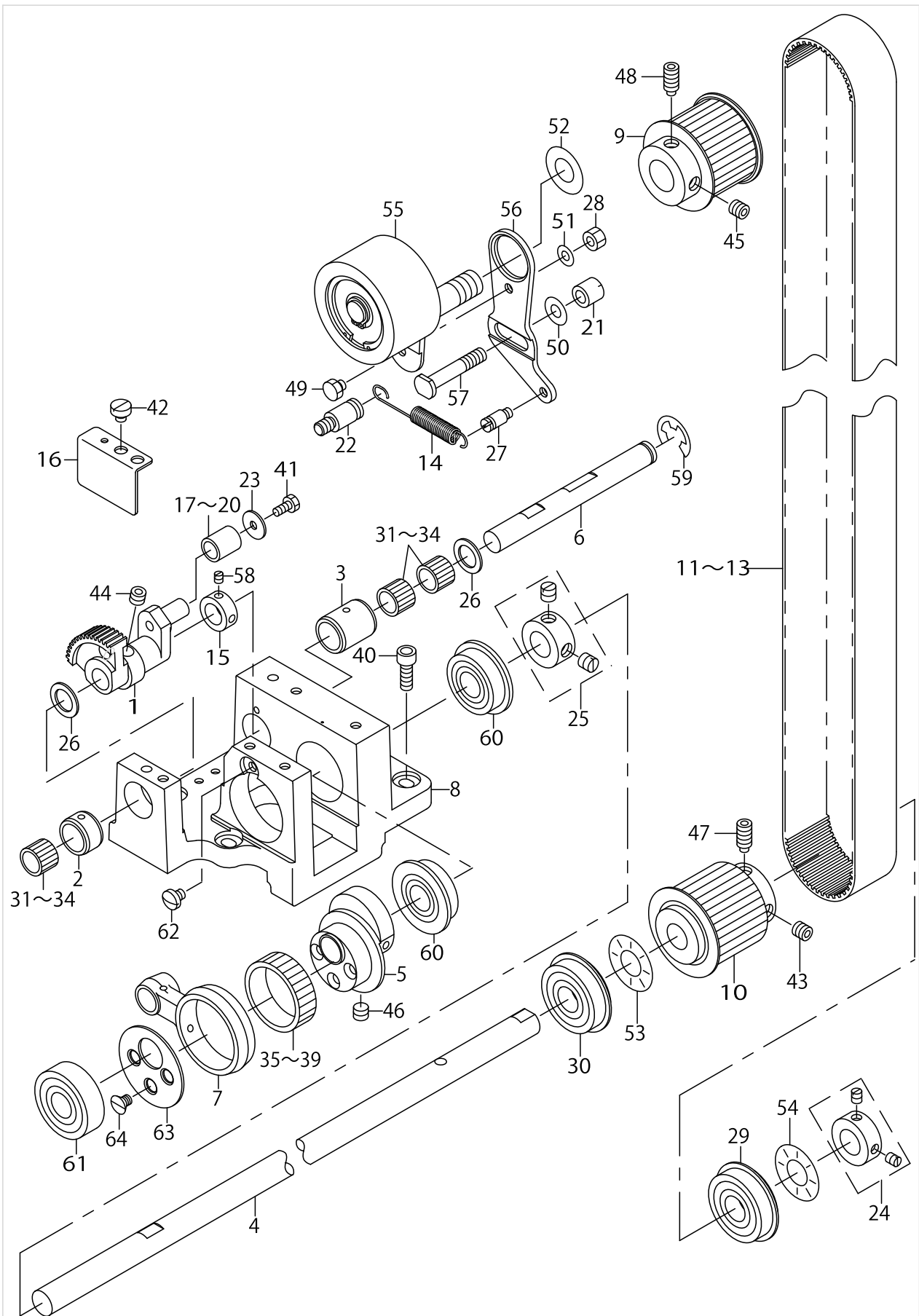
SHUTTLE DRIVER SHAFT COMPONENTS(1)



SHUTTLE DRIVER SHAFT COMPONENTS(1)

No.	Supply Code	Parts No.	Replacement	Parts name	Remarks	Choice	Step	Level	Cons	Qty	Rep. QTY
43		B24252150AC		NEEDLE PLATE G ASM.	G TYPE					1	
44		B2425215000		NEEDLE PLATE				*		1	
45		B242621000A		NEEDLE HOLE GUIDE D=1.6	S TYPE			*		1	
46		B242621000B		NEEDLE HOLE GUIDE D=2.0	H TYPE			*		1	
47		B242621000F		NEEDLE HOLE GUIDE D=3.0	G TYPE			*		1	
48		B2424210000		COUNTER KNIFE	COMMON USE PARTS FOR 02 & 03			*		1	
49		B2424210A00		FIX KNIFE	G TYPE			*		1	
50		B24212050A0		MOVING KNIFE ASM.	COMMON USE PARTS FOR 02 & 03			*		1	
51		B2421210AA0		MOVING KNIFE COMPL.	G TYPE			*		1	
52		B2418280000		MOVING KNIFE LINK				*		1	
53		B2416280000		THREAD CUTTING LEVER RING				*		1	
54		B24152800A0		THREAD CUTTER L- EVER ASM., SMAL	COMMON USE PARTS FOR 02 & 03			*		1	
55	R	B2416210000	B24162100A0	THREAD CUTTER LEVER,SMALL	G TYPE			*		1	1.00
56	R	B2414280000	B24142800A0	MOVING KNIFE DRIVING LEVER				*		1	1.00
57		B2419280000		MOVING KNIFE CO- NECTING LINK S				*		1	
58	R	B2420280000	B24152800A0	MOVING KNIFE CO- NECTING LINK P				*		1	1.00
59		B2417280000		THREAD CUTTER LEVER SHAFT				*		1	
60		B242328000A		MOVING KNIFE WASHER A				*		1	
61		B242328000B		MOVING KNIFE WASHER B	SELECTIVE PARTS			*		1	
62		B242328000C		MOVING KNIFE WASHER C	SELECTIVE PARTS			*		1	
63		SS1060210TP		SCREW 3/32-56 L=2.2				*		2	
64		SS6110430TP		SCREW 11/64-40 L= 4.0				*		1	
65		SS7090410SP		SCREW 9/64-40 L=3.5				*		2	
66		SS7110740TP		SCREW 11/64-40 L=7				*		1	
67		SD0600101TP		HINGE SCREW	COMMON USE PARTS FOR 02 & 03			*		1	
68		B2417210000		MOVING KNIFE HINGE SCREW	G TYPE			*		1	
69		WP0450846SP		WASHER				*		1	
70		SS1110640TP		SCREW 11/64-40 L= 5.5						4	
71		B1818205A0B		HSMALLINNERHOOK.	H TYPE					1	
72		13512405		SPRING	COMMON USE PARTS FOR 03 & 04					2	
73		B1805210A00		BOBBIN	G TYPE					1	
74	R	B1812210000	B18122100A0	SCREW DRIVER	G TYPE					1	1.00
75		B1815210000		INNER HOOK UPPER SPRING	G TYPE					1	
76		B18172100AB		SHUTTLE RACE RING B ASM.	G TYPE					1	
77		B1818210000		SHUTTLE	G TYPE					1	
78		B18282100A0		BOBBIN CASE ASM.	G TYPE					1	
79		B180520500B		BOBBIN.	H TYPE					1	
80		B18282050AA		BOBBIN CASE ASM.	H TYPE					1	

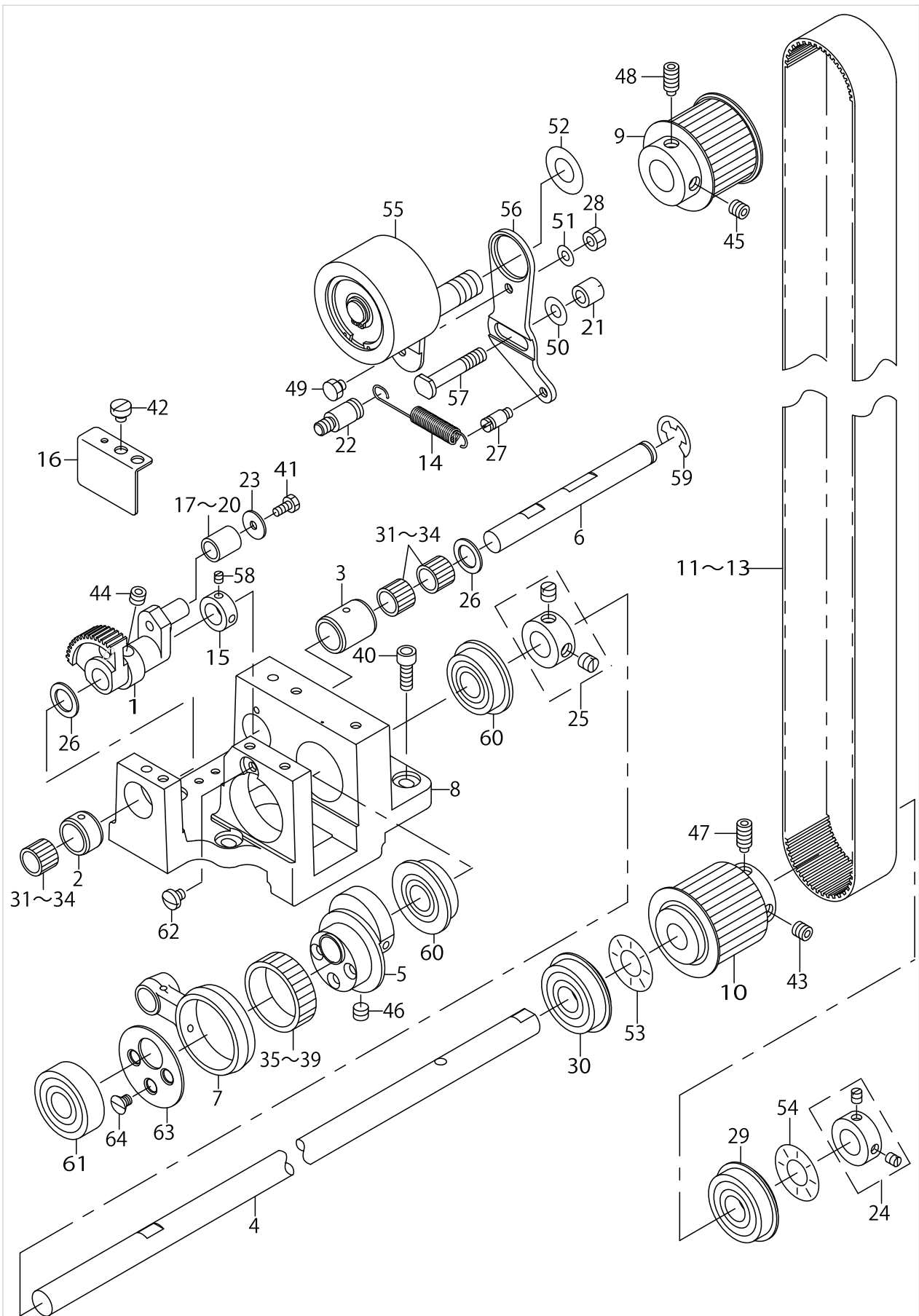
SHUTTLE DRIVER SHAFT COMPONENTS(2)



SHUTTLE DRIVER SHAFT COMPONENTS(2)

No.	Supply Code	Parts No.	Replacement	Parts name	Remarks	Choice	Step	Level	Cons	Qty	Rep. QTY
1	D	B1805223C00		OSCILLAOR						1	
2		B1832223C00		BEARING A						1	
3	D	B1833223C00		BEARING B						1	
4		B1834223C00		CAM DRIVER SHAFT						1	
5	D	B1835223C00		ECCENTRIC CAM						1	
6		B1836223C00		OSCILLAING SHAFT						1	
7		B1837223C00		CRANK LOD						1	
8		B1838223C00		GEAR BOX						1	
9		B1839223C00		SPROCKET						1	
10		B1844223C00		SPROCKET						1	
11		B1845223C0A		BELT A						1	
12		B1845223C0B		BELT B	SELECTIVE PARTS					1	
13		B1845223C0C		BELT C	SELECTIVE PARTS					1	
14		B2431215000		THREAD TRIMMER LINK SPRING						1	
15		B1848223C00		THRUST COLLAR						1	
16		B1849223C00		STOPPER						1	
17		B1430180A00		NEEDLE BEARING						1	
18		B1430180B00		NEEDLE BEARING	SELECTIVE PARTS					1	
19		B1430180C00		NEEDLE BEARING C	SELECTIVE PARTS					1	
20		B1430180D00		NEEDLE BEARING	SELECTIVE PARTS					1	
21		B1840223C00		NUT						1	
22		26212308		BELT COVER SCREW						1	
23		B3051816000		WASHER B						1	
24		CS120081ATN		THRUST COLLAR ASM. D=12 W=8						1	
25		CS1201010SH		THRUST COLLAR ASM. D=12 W=10						1	
26		B1637560000		WASHER						2	
27		MAT80116S00		SUSPENSION PIN						1	
28		NS6280610SP		NUT						1	
29		SB112000100		BEARING D=12X32						1	
30		SB112000700		BEARING						1	
31		SB31000080A		BEARING						3	
32		SB31000080B		BEARING	SELECTIVE PARTS					3	
33		SB31000080C		BEARING	SELECTIVE PARTS					3	
34		SB31000080D		BEARING	SELECTIVE PARTS					3	
35	D	B1426352A00		NEEDLE BEARING (A)						1	
36		B1426352B00		NEEDLE BEARING (B)	SELECTIVE PARTS					1	
37		B1426352C00		NEEDLE BEARING (C)	SELECTIVE PARTS					1	
38		B1426352D00		NEEDLE BEARING (D)	SELECTIVE PARTS					1	
39	D	B1426352E00		NEEDLE BEARING (E)	SELECTIVE PARTS					1	
40		SM6051402TP		SCREW M5X0.8 L=14						4	
41		SS9090833TP		SCREW						1	
42		SS6110480SP		SCREW 11/64-40 L=4.3						1	
43		SS8660612TP		SCREW 1/4-40 L=6						1	
44		SS8660512TP		SCREW 1/4-40 L=5						2	
45		SS8660612TP		SCREW 1/4-40 L=6						1	
46		SS8660512TP		SCREW 1/4-40 L=5						2	

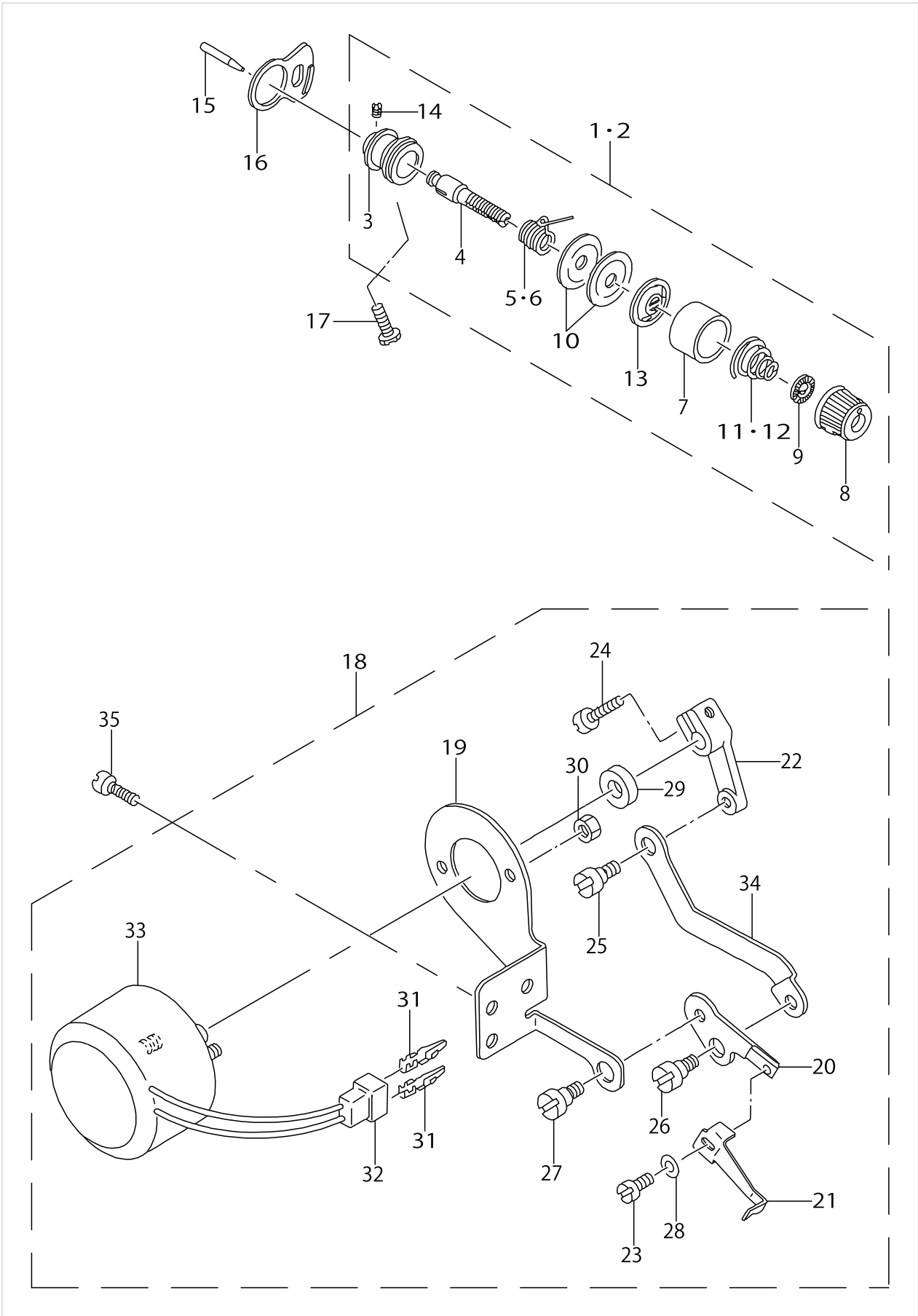
SHUTTLE DRIVER SHAFT COMPONENTS(2)



SHUTTLE DRIVER SHAFT COMPONENTS(2)

No.	Supply Code	Parts No.	Replacement	Parts name	Remarks	Choice	Step	Level	Cons	Qty	Rep. QTY
47		SS8661112TP		SCREW 1/4-40 L=11						1	
48		SS8661112TP		SCREW 1/4-40 L=11						1	
49		SS9110453TP		SCREW						1	
50		WP0621016SD		WASHER 6.2X13X1						1	
51		WP1221016SP		WASHER						1	
52		WP1252210SC		WASHER 12.5X25.6X2.2						1	
53		WZ1250300K0		WAVED WASHER 12.5X17X0.3						1	
54		WZ1250300K0		WAVED WASHER 12.5X17X0.3						1	
55		13710850		IDLER PULLEY ARM CONNEC.						1	
56	D	13710900		IDLER FIXED PLATE						1	
57	D	13711007		IDLER ADJUSTING SCREW						1	
58		SS8090410SP		SCREW 9/64-40L=3.5						2	
59		RE0900000KP		SNAP RING 9						1	
60		SB112000700		BEARING						2	
61	R	SB112000300	SB1120003C0	BEARING						1	1.00
62		SS7110570SP		SCREW 11/64-40 L= 4.8						1	
63		B1850223C00		STOPPER						1	
64		SS1110640TP		SCREW 11/64-40 L= 5.5						3	

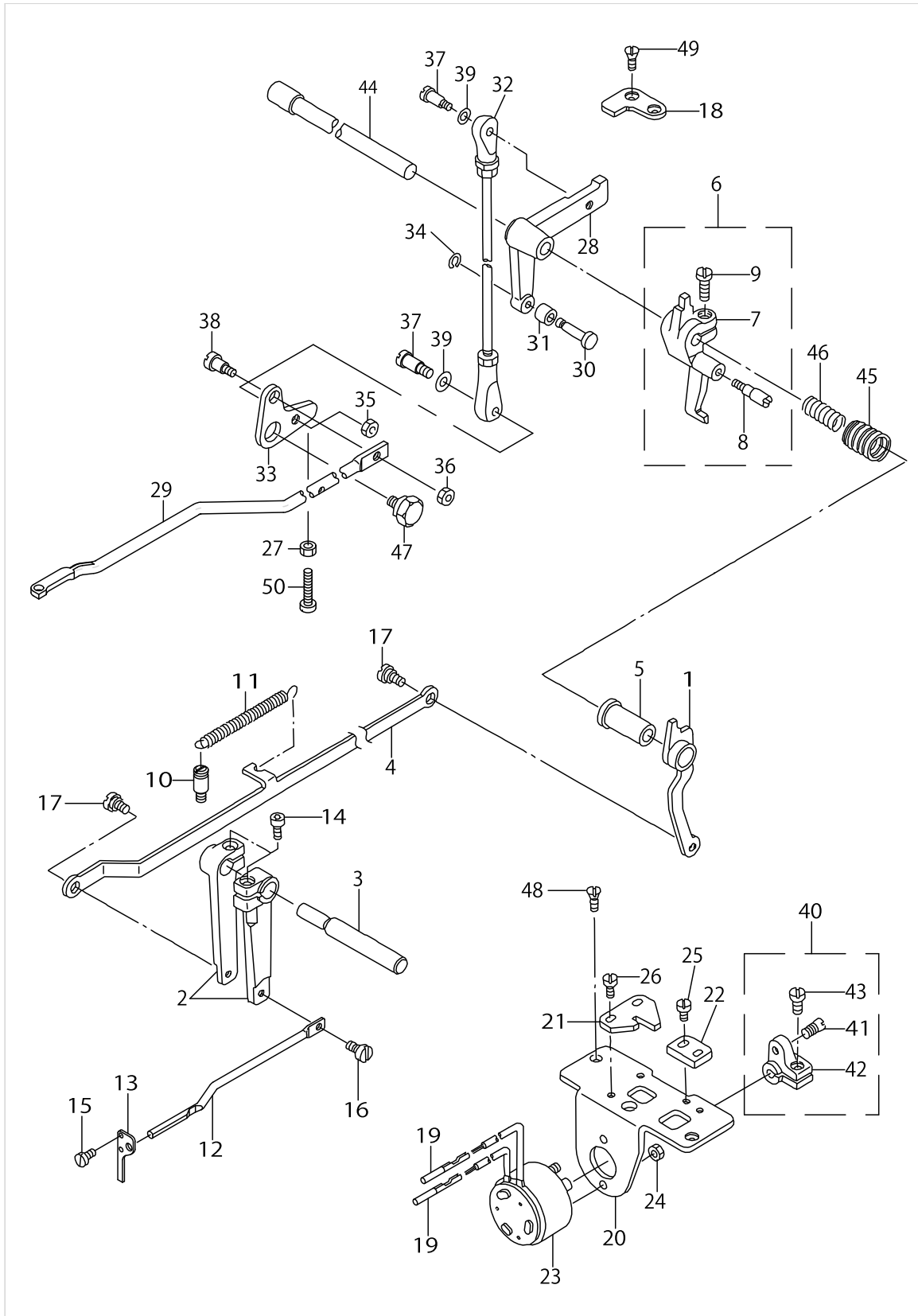
WIPER MECHANISM COMPONENTS



WIPER MECHANISM COMPONENTS

No.	Supply Code	Parts No.	Replacement	Parts name	Remarks	Choice	Step	Level	Cons	Qty	Rep. QTY
1		13817457		THREAD TENSION NO.2 CONNEC.	S TYPE					1	
2		B23022050AA		SECOND THREAD TENSION.	H & G TYPE					1	
3		B2313280000		THREAD TENSION ROD, LARGE				*		1	
4		B2302280000		SECOND THREAD TENSION ROD				*		1	
5		B3112761000		THREAD TAKE-UP SPRING	S TYPE			*		1	
6		D3112L4BB00		TAKE-UP SPRING (HEAVY)	H & G TYPE			*		1	
7		B3107804000		THREAD TENSION DISK PRESSER	S TYPE			*		1	
8		13817408		THREAD TENSION NUT				*		1	
9		B3120125000		ROTATING STOPPER				*		1	
10	R	B3126012000	22921506	THREAD TENSION DISK				*		2	1.00
11		B3114232000		THREAD TENSION SPRING	S TYPE			*		1	
12		B2305205000		TENSION SPRING	H & G TYPE			*		1	
13		B3132552000		THREAD TENSION DISK PRESSER				*		1	
14		SS8090610SP		SCREW 9/64-40 L=5.9				*		1	
15		B2303280000		TENSION RELEASE PIN						1	
16		B2702210000		GUIDE PLATE						1	
17		SS6151812TP		SCREW 15/64-28L=18						1	
18		B21012200A0		WIPER ASM.						1	
19		B2104220000		SOLENOID INSTALLING PLATE				*		1	
20		B2106220000		WIPER INSTALLING PLATE				*		1	
21		B2107210000		WIPER				*		1	
22	D	B2102205000		WIPER ARM.				*		1	
23		SS6090630TP		SCREW 9/64-40 L=6				*		1	
24		SS6621220SP		SCREW 3/16-32 L=12				*		1	
25		SD0600352SP		HINGE SCREW				*		1	
26		SD0640321SP		HINGE SCREW D= 6.35 H= 3.2				*		1	
27		SD0640321SP		HINGE SCREW D= 6.35 H= 3.2				*		1	
28		WP0371016SD		WASHER 3.7X8X1				*		1	
29		WP0561616SC		WASHER 5.6X16X1.6				*		1	
30		NM6040003SC		NUT M4				*		2	
31		HP000200200		PIN-SHAPE TERMINAL, MALE				*		2	
32		HK018800020		2-POLE PLUG				*		1	
33		B2101220000		WIPER SOLENOID				*		1	
34		B2103220000		WIPER CONNECTING PLATE				*		1	
35		SS7110840SP		SCREW 11/64-40 L=7.8						2	

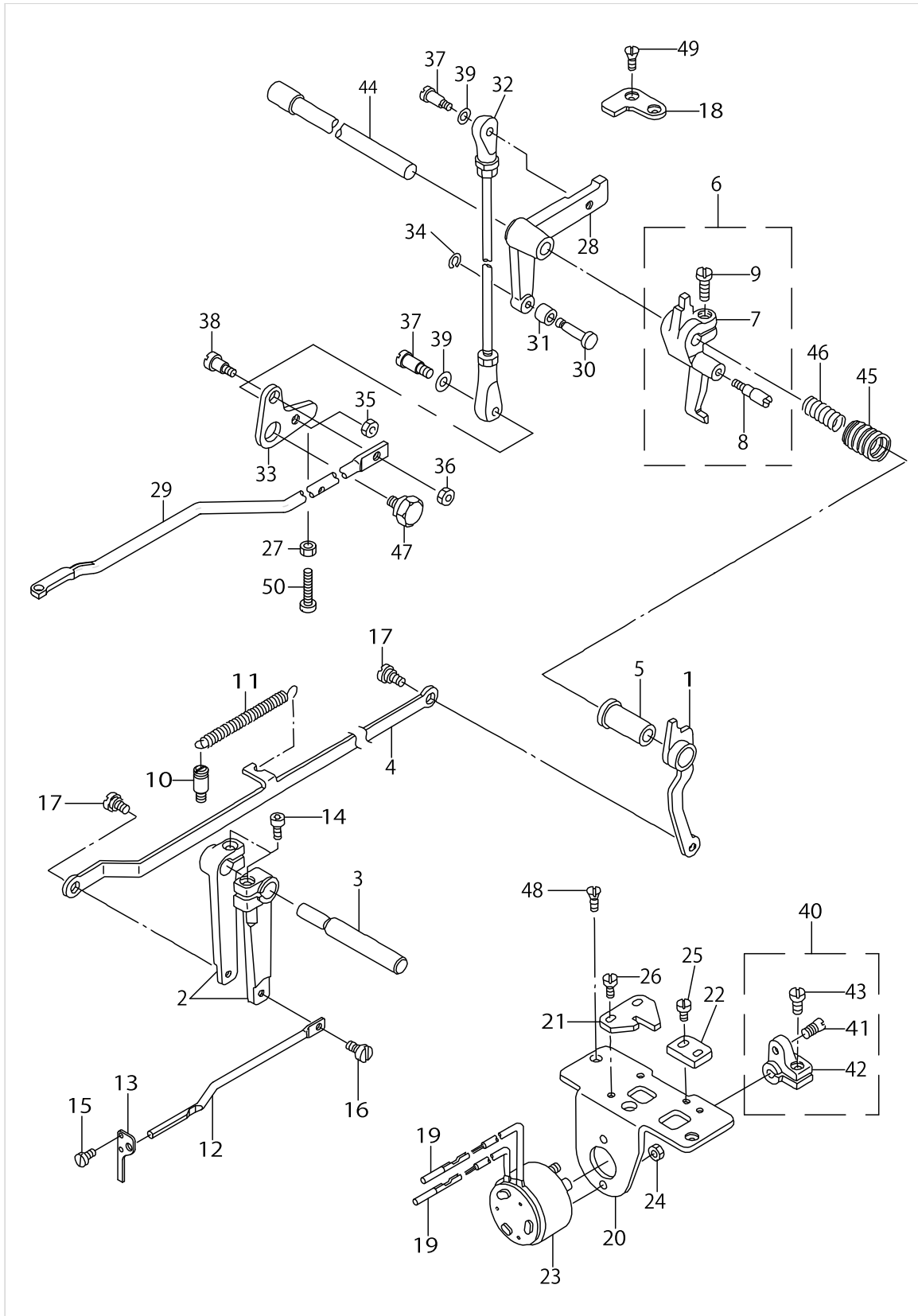
TENSION RELEASE & TEREAD TRIMMER MECHANISM COMPONENTS



TENSION RELEASE & TEREAD TRIMMER MECHANISM COMPONENTS

No.	Supply Code	Parts No.	Replacement	Parts name	Remarks	Choice	Step	Level	Cons	Qty	Rep. QTY
1		B23042200A0		TENSION RELEASE ARM ASM.						1	
2	R	B2306220000	B23062200A0	TENSION ARM						2	1.00
3		B2307220000		TENSION ARM SHAFT						1	
4		B2308223C00		CONECTING PLATE						1	
5		B2305210000		BUSHING						1	
6		B23012100A0		TENSION RELEASE ARM ASM.						1	
7		B2301210000		TENSION RELEASE ARM				*		1	
8		B2302210000		TENSION RELEASE SHAFT				*		1	
9		SS6121220TP		SCREW 3/16-28 L=11.5				*		1	
10		26212308		BELT COVER SCREW						1	
11		B2727761000		TENSION SPRING						1	
12		26501304		TENSION RELEASE BAR						1	
13	R	13513304	26218404	THREAD TENSION ARM						1	1.00
14		SS6151712TP		SCREW 15/64-28 L=16.5						2	
15		SS7090620TP		SCREW 9/64-40 L=6.1						2	
16		SD0530221SP		HINGE SCREW D= 5.3 H= 2.2						1	
17		SD0640321SP		HINGE SCREW D= 6.35 H= 3.2						2	
18		B2412220000		STOPPER						1	
19		D6043555B00		PIN TERMINAL, MALE						2	
20		B2402220000		SOLENOID INSTALLING BASE						1	
21		B2310220000		TENSION RELEASE ARM PLATE						1	
22		B2311220000		Y MOTOR BASE STOPPER						1	
23		B2403223C00		SOLENOID						1	
24		NM6040003SC		NUT M4						2	
25		SS7110840SP		SCREW 11/64-40 L=7.8						2	
26		SS7110840SP		SCREW 11/64-40 L=7.8						2	
27		NS6150430SP		NUT 15/64-28						1	
28		B2404220000		CAM INSTALLING LINK						1	
29		B2413223C00		CONNECTING LOD						1	
30		B2405210000		SHAFT						1	
31		B2406210000		CAM ROLLER						1	
32		B2407223C00		CONNECTING LOD						1	
33		B2411210000		THREAD TRIMMER LINK						1	
34		D2430555B00		SNAP RING						1	
35		NS6110420SP		NUT 11/64-40						1	
36		NS6120630SP		NUT 3/16-28						1	
37		SD0500803TP		HINGESCREWD=5H=8						2	
38		SD0650305TP		HINGE SCREW D= 6.5 H= 3						1	
39		WP0501016SD		WASHER 5X10.5X1						2	
40		B24102200A0		SOLENOID ARM ASM.						1	
41		B2410220000		PIN				*		1	
42		B2409210000		SOLENOID ARM				*		1	
43		SS6121210SP		SCREW 3/16-28 L=12				*		1	
44		B2408210000		CAM SHAFT						1	
45		B2414210000		SPRING, LARGE						1	
46		B2415210000		SPRING, SMALL						1	

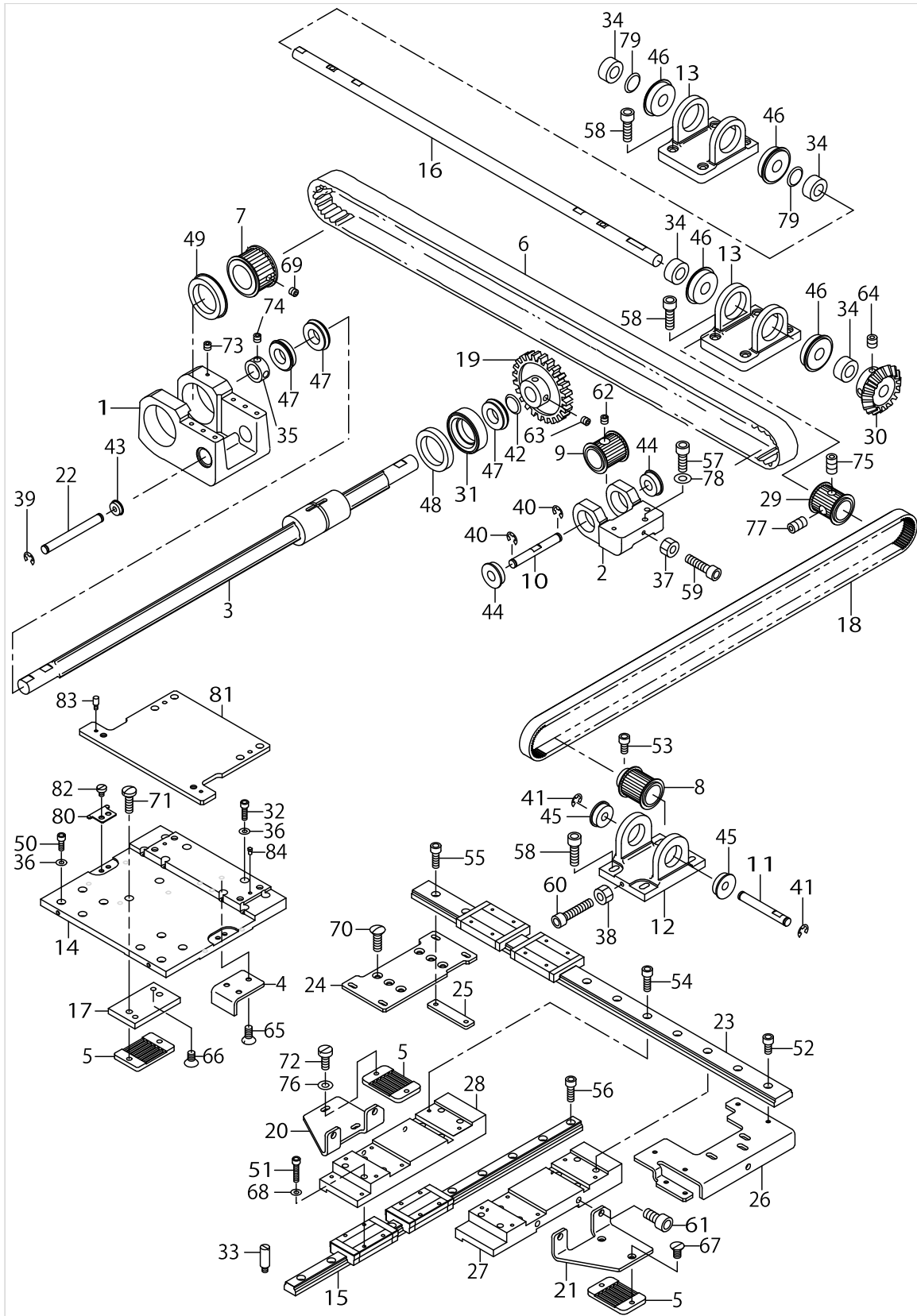
TENSION RELEASE & TEREAD TRIMMER MECHANISM COMPONENTS



TENSION RELEASE & TEREAD TRIMMER MECHANISM COMPONENTS

No.	Supply Code	Parts No.	Replacement	Parts name	Remarks	Choice	Step	Level	Cons	Qty	Rep. QTY
47		SD1100301TP		HINGE SCREW H=11 W=3						1	
48		SS2110920TP		SCREW 11/64-40 L=8.5						2	
49		SS2110920TP		SCREW 11/64-40 L=8.5						2	
50		SS6153040SP		SCREW15/64-28L=30						1	

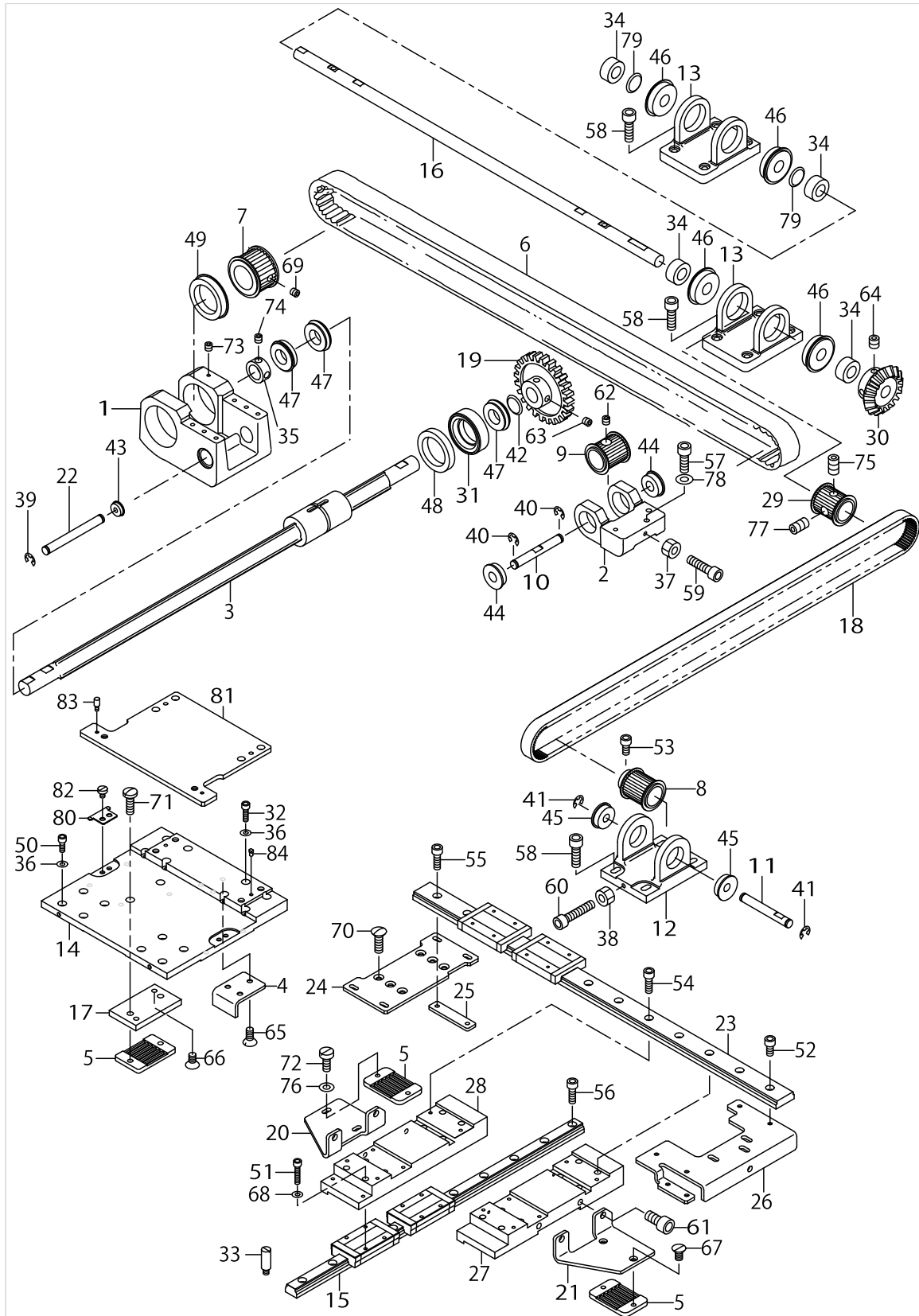
X-Y COMPONENTS (1)



X-Y COMPONENTS (1)

No.	Supply Code	Parts No.	Replacement	Parts name	Remarks	Choice	Step	Level	Cons	Qty	Rep. QTY
1		B2504223C00		X DRIVE BRACKET						1	
2		B2505223C00		X DRIVEN BRACKET						1	
3		B2506223C00		X DRIVE SPLINE SHAFT						1	
4		B2507223C00		X STOPPER						1	
5		B2509224000		BELT RECEIVER						3	
6		B2512224C00		X TIMING BELT.						1	
7		B2513223C00		X DRIVE SPROCKET						1	
8		B2513224000		SPROCKET WHEEL						2	
9		B2514223C00		X DRIVEN SPROCKET						1	
10		B2515223C00		X DRIVEN SHAFT						1	
11		B2515224000		X BRACKET SHAFT						2	
12		B2518223C0A		Y DRIVEN BRACKET						2	
13	D	B2518223C00		Y DRIVE BRACKET						2	
14	D	B2519224C00		X REMOVAL BASE						1	
15		B2520224C00		Y-LM GUIDE						2	
16		B2523223C00		Y DRIVE SHAFT						1	
17		B2527223C00		X BELT INSTALLING PLATE						1	
18		B2528223C00		Y TIMMING BELT						2	
19		B2534223C00		X DRIVEN WHEEL						1	
20		B2536223C0A		Y BELT INSTALLING PLATE,LEFT						1	
21		B2536223C00		Y BELT INSTALLING PLATE,RIGHT						1	
22		B2539223C00		X IDLER SHAFT						1	
23	D	B2540224C00		X-LM GUIDE						2	
24		B2541224C00		X DRIVE BRACKET BASE						1	
25		B2542223C00		NUT						2	
26	D	B2543224C00		X DRIVE BRACKET BASE						1	
27		B2544223C00		Y REMOVAL BASE,RIGHT						1	
28		B2545223C00		Y REMOVAL BASE,LEFT						1	
29		B2547223C00		Y DRIVE SPROCKET						2	
30		B2548223C00		Y DRIVEN WHEEL						1	
31		B2549223C00		COLLAR						1	
32		SM6031002TP		HEXAGONAL BOLT M3 X 10						8	
33		B4134814000		SUPPORT STUD						2	
34		CS1201010SH		THRUST COLLAR ASM. D=12 W=10						4	
35		CS1501011TH		THRUST COLLAR						2	
36		WP0320501SD		WASHER						16	
37		NM6050001SP		NUT M5						1	
38		NM6050001SP		NUT M5						2	
39		RE0600000K0		E-RING 6						2	
40		RE0600000K0		E-RING 6						2	
41		RE0600000K0		E-RING 6						4	
42		WZ1590390KP		WASHER						1	
43		SB108000200		SIDE BEARING						2	
44		SB108000500		RADIAL BEARING						2	
45		SB108000500		RADIAL BEARING						4	
46		SB112000700		BEARING						4	

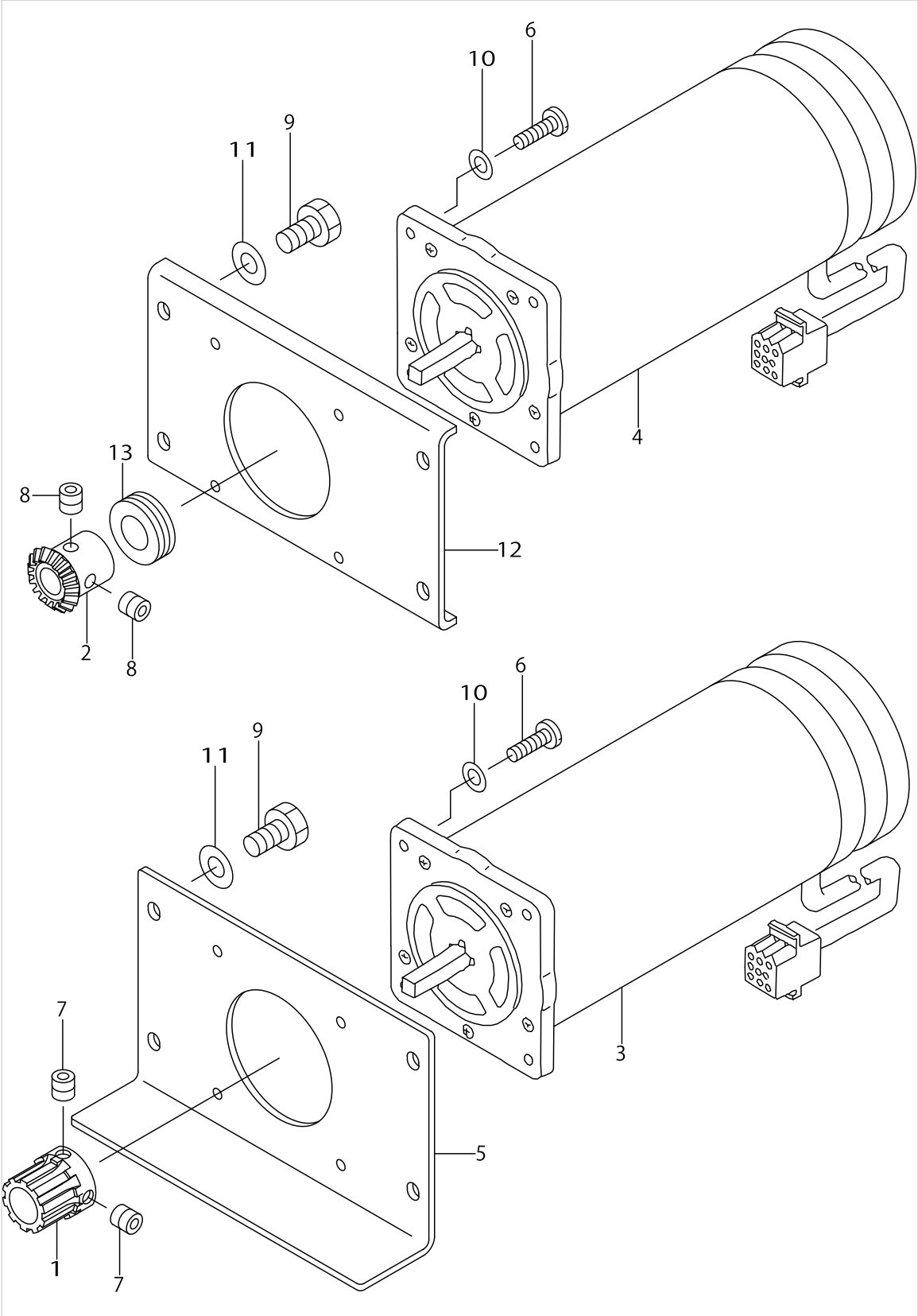
X-Y COMPONENTS (1)



X-Y COMPONENTS (1)

No.	Supply Code	Parts No.	Replacement	Parts name	Remarks	Choice	Step	Level	Cons	Qty	Rep. QTY
47		SB115000600		BALL BEARING						3	
48		SB130000200		BEARING						1	
49		SB130000300		BEARING						1	
50		SM6030602TP		SCREW M3X0.5 L=6						8	
51		SM6031402TP		SCREW						16	
52		SM6040802TP		SCREW M4X0.7 L=8						4	
53		SM6040802TP		SCREW M4X0.7 L=8						4	
54		SM6041202TP		SCREW M4X0.7 L=12						8	
55		SM6041202TP		SCREW M4X0.7 L=12						4	
56		SM6041202TP		SCREW M4X0.7 L=12						12	
57		SM6051402TP		SCREW M5X0.8 L=14						3	
58		SM6051602TP		SCREW M5X0.8 L=16						16	
59		SM6052002TP		SCREW M5 L=20						1	
60		SM6052502TP		SCREW M5X0.8 L=25						2	
61		SM6061202TP		SCREW M6 L=12						4	
62		SM8060602TP		SCREW M6X6						1	
63		SM8061002TP		SCREW M6 L=10						2	
64		SM8061002TP		SCREW M6 L=10						2	
65		SS2111010TP		SCREW 11/64-40 L=9.5						3	
66		SS1110840SP		SCREW 11/64-40 L=8						2	
67		SS2111010TP		SCREW 11/64-40 L=9.5						2	
68		WP0320500SD		M3 WASHER						16	
69		SS8150432TH		SCREW 15/64-28 L=4						2	
70		SS2621540SP		SCREW 3/16-32 L=15						6	
71		SS7111410TP		SCREW 11/64-40 L=14						2	
72		SS6111140SP		SCREW 11/64-40 L=11						2	
73		SS8110422TP		SCREW 11/64-40 L=4						2	
74		SS8660530TP		SCREW 1/4-40 L= 4.5						4	
75		SS8660612TP		SCREW 1/4-40 L=6						2	
76		WP0450801SD		WASHER 4.5X10X0.8						2	
77		SS8661112TP		SCREW 1/4-40 L=11						2	
78		WP0550800SP		WASHER 5.5X10X0.8						3	
79		WZ1250300K0		WAVED WASHER 12.5X17X0.3						2	
80		B1158224C00		COVER PRESSER						2	
81		B2555224C00		LOWER PLATE INSTALLING PLATE						1	
82		SS6110610TP		SCREW 11/64-40 L=6						4	
83		B151902600G		HINGE STUD						2	
84		B1816280000		GUIDE PIN						2	

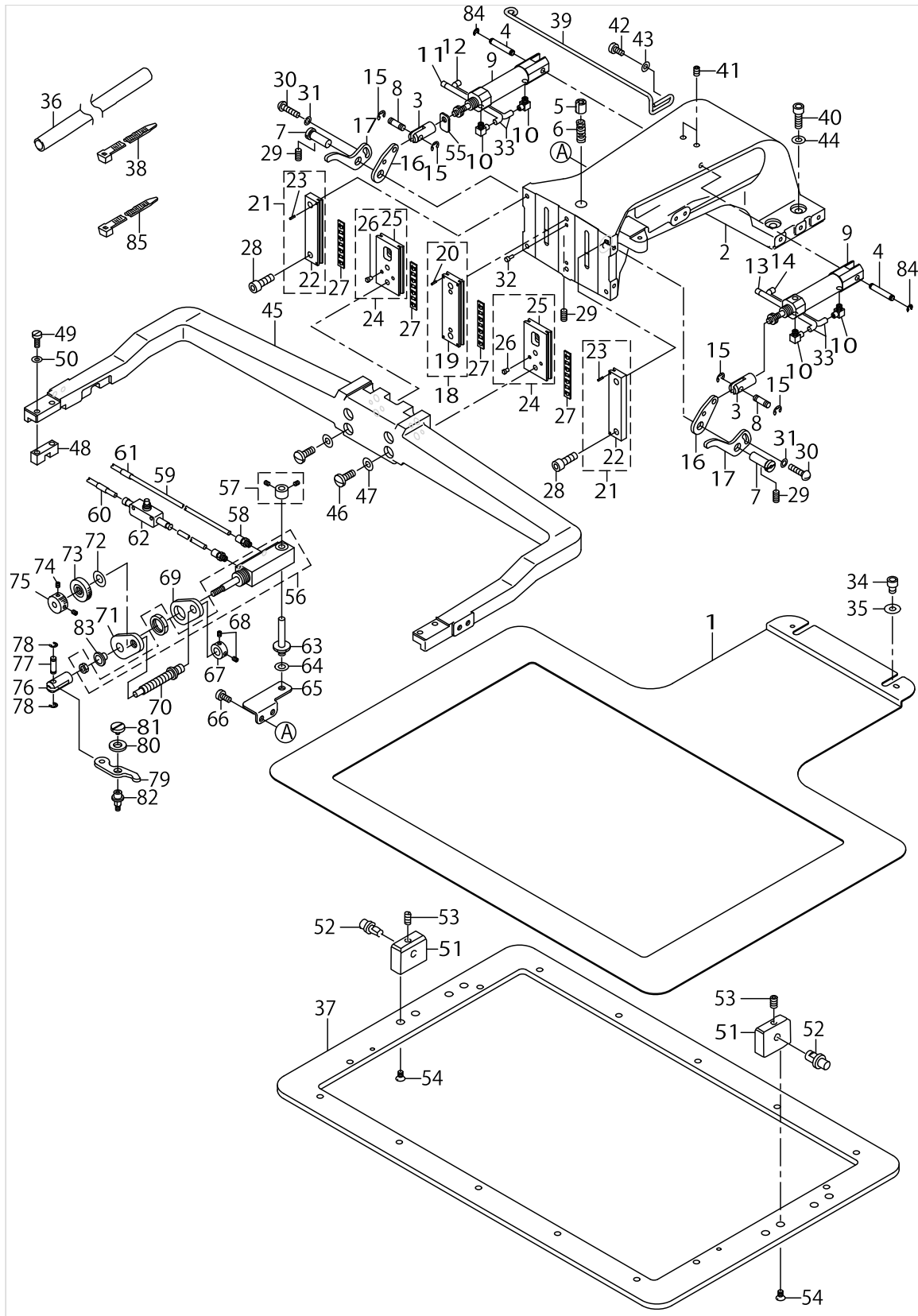
X-Y COMPONENTS (2)



X-Y COMPONENTS (2)

No.	Supply Code	Parts No.	Replacement	Parts name	Remarks	Choice	Step	Level	Cons	Qty	Rep. QTY
1		B2525223C00		X DRIVE WHEEL						1	
2		B2526223C00		Y DRIVE WHEEL						1	
3		B2529223CAA		X FEED STEPPING MOTOR ASM.						1	
4		B2529223CA0		Y FEED STEPPING MOTOR ASM.						1	
5	D	B2531223C00		MOTOR BASE						1	
6		SM6051202TP		SCREW M5X0.8 L=12						8	
7		SM8060602TP		SCREW M6X6						2	
8		SM8060602TP		SCREW M6X6						2	
9		SS9151120CP		SCREW15/64-28L=11						8	
10		WP0531000SD		WASHER M5						8	
11		WP0621016SD		WASHER 6.2X13X1						8	
12	D	B2517223C00		Y MOTOR INSTALLING PLATE						1	
13		SB412000100		BEARING						1	

CLOTH FEED MECHANISM COMPONENTS



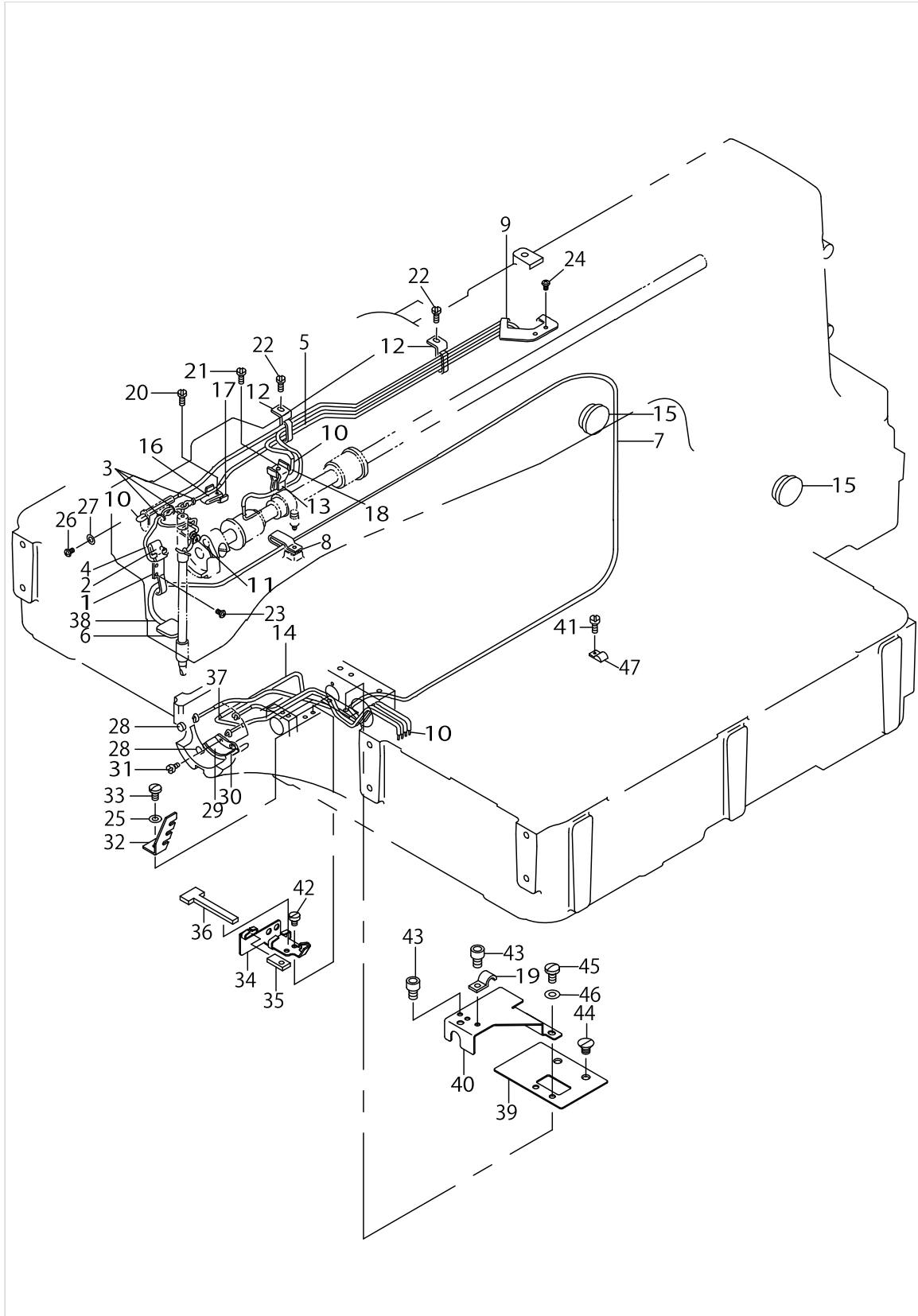
CLOTH FEED MECHANISM COMPONENTS

No.	Supply Code	Parts No.	Replacement	Parts name	Remarks	Choice	Step	Level	Cons	Qty	Rep. QTY
1		B2556224C00		LOWER PLATE.						1	
2		B2550224C00		CLOTH FEED BASE.						1	
3		B1625220000		CYLINDER KNUCKLE						2	
4		B1504210000		CONNECTING SHAFT						2	
5		B2574220000		SLIDER						1	
6		B2576220000		SLIDER SPRING						1	
7	R	B2509372000A	26023408	FEED STUD						2	1.00
8		B1626220000		CYLINDER PIN						2	
9		PA1602509A0		AIR CYLINDER						2	
10		PJ046052503		HOSE ELBOW						4	
11		B471122000C		AIR TUBE LABEL J03 LEFT						1	
12		B471122000D		AIR TUBE LABEL J04 LEFT						2	
13		B471122000G		AIR TUBE LABEL J03 RIGHT						1	
14		B471122000H		AIR TUBE LABEL J04 RIGHT						2	
15		RE0300000K0		E-RING 3						4	
16		B2570215000		LIFTING LEVER A						2	
17		B2571215000		LIFTING LEVER B						2	
18		B2613223CA0		WORK CLAMP FOOT PLATE A ASM.						1	
19	R	B2613223C00	B2613223CA0	WORK CLAMP FOOT PLATE A				*		1	1.00
20		PS0150065KP		SPRING PIN 1.5X6				*		4	
21		B2567223CA0		WORK CLAMP FOOT PLATE B ASM.						2	
22	R	B2567223C00	B2567223CA0	WORK CLAMP FOOT PLATE B				*		1	1.00
23		PS0150065KP		SPRING PIN 1.5X6				*		2	
24	D	B2611223CA0		SLIDE PLATE ASM.						2	
25	R	B2611223C00	B2611223CA0	WORK CLAMP FOOT SLIDE PLATE				*		1	1.00
26		B1816280000		GUIDE PIN				*		2	
27		B2569229000		SLIDING PLATE BEARING						4	
28		SM6051402TP		SCREW M5X0.8 L=14						6	
29		SM8050602TP		SCREW M5 L=6						2	
30		SS7110710SP		SCREW 11/64-40 L=7						2	
31		WP0501016SD		WASHER 5X10.5X1						2	
32		B1816280000		GUIDE PIN						2	
33		BT0400251EB		URETHANE HOSE, BLACK						5	
34		SM6060802TP		SCREW M6 L=8						2	
35		WP0611626SP		WASHER 15X6X1.6						2	
36		HX00364000E		PARTS						.9	
37	D	B2553224C00		CLOTH PRESSER OUTER FRAME.						1	
38		HX002330000		CLIP						9	
39		B2568224C00		AIR TUBE SUPPORT A						1	
40		SM6062002TP		SCREW M6 L=20						4	
41		SM8050812TP		SCREW M5X8						2	
42		SS6121010SP		SCREW 3/16-28 L=10						2	
43		WP0501016SD		WASHER 5X10.5X1						2	
44		WP0621016SD		WASHER 6.2X13X1						4	
45		B2552224C00		CLOTH PRESSER O-UTOR FRAME.ARM.						1	

CLOTH FEED MECHANISM COMPONENTS

No.	Supply Code	Parts No.	Replacement	Parts name	Remarks	Choice	Step	Level	Cons	Qty	Rep. QTY
46		SS7151610SP		SCREW15/64-28L=16						4	
47		WP0641600SC		WASHEW6.4X12.5X1.6						4	
48		B2562220000		BALL CATCH						2	
49		SS6111210SP		SCREW11/64-40L=12						4	
50		WP0450000SD		WASHER 4.5X8X0.5						4	
51		B2561220000		BEARING BLOCK						2	
52		B2560220000		SUPPORT PIN						2	
53		SS8110422TP		SCREW 11/64-40 L=4						2	
54		SS1110840SP		SCREW 11/64-40 L=8						4	
55		B2530215000		PRESSER PLATE						1	
56		PA1602510A0		AIR CYLINDER						1	
57		B25792290A0		THRUST BEARING						1	
58		PJ032052503		HOSE NIPPLE						2	
59		BT0400251EB		URETHANE HOSE, BLACK						1.5	
60		B471122000E		AIR TUBE LABEL J05						2	
61		B471122000F		AIR TUBE LABEL J06						1	
62		PC012401000		SPEED CONTROLLER						1	
63		B2528215000		SHAFT						1	
64		WP0650876SD		WASHER 6.5X13X0.8						1	
65		B2514215000		INSTALLING PLATE						1	
66		SS6121010SP		SCREW 3/16-28 L=10						2	
67	R	CS0790731SH	CS079073ASH	THRUST COLLAR						1	1.00
68		SS8110422TP		SCREW 11/64-40 L=4						2	
69		B2518215000		BRACKET						1	
70		B2527215000		REGULATION SCREW						1	
71		B2518215A00		REGULATION PLATE						1	
72		WP0820816SD		WASHER 8.2X16X0.8						1	
73		B3012816000		NUT						1	
74		SS8110422TP		SCREW 11/64-40 L=4						2	
75		B2304205000		KNOB						1	
76		B1625220000		CYLINDER KNUCKLE						1	
77		B1626220000		CYLINDER PIN						1	
78		RE0300000K0		E-RING 3						2	
79		B2516215000		LEVER						1	
80		B185351200E		HOOK SHAFT WASHER						1	
81		SS6110520TP		SCREW 11/64-40 L=4.5						1	
82		B3012490000		DRIVING LINK SHAFT						1	
83		B2548215000		BUSHING						1	
84		RE0320000K0		E-RING 3.2						2	
85		HX00233000B		CABLE BAND						1	

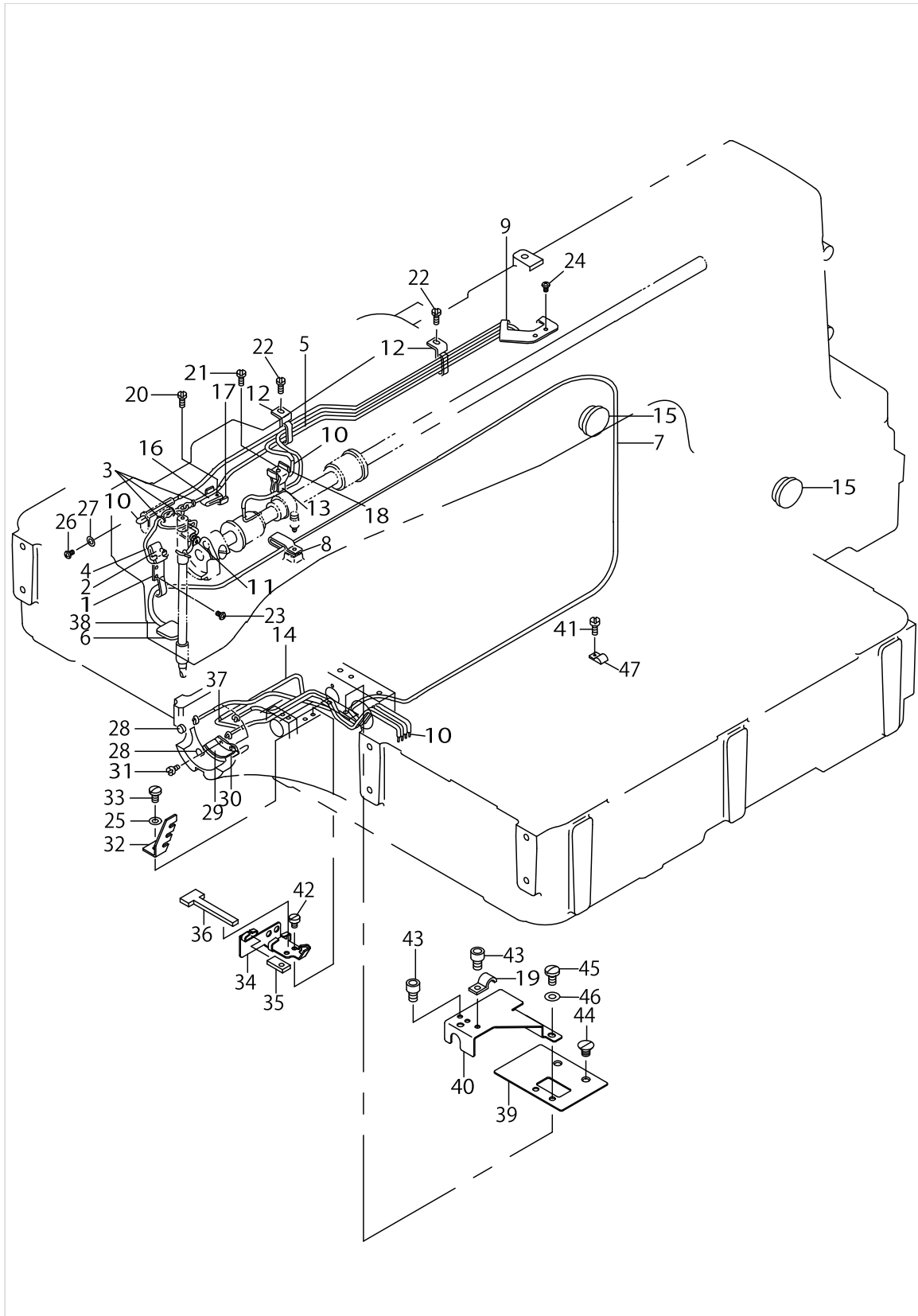
LUBRICATION COMPONENTS



LUBRICATION COMPONENTS

No.	Supply Code	Parts No.	Replacement	Parts name	Remarks	Choice	Step	Level	Cons	Qty	Rep. QTY
1	D	B3502220000		OIL WICK HOLDER						1	
2		B3509220000		OIL SPONGE						1	
3		26230706		OIL WICK PRESSER						3	
4		CQ202000000		OIL WICK						1.1	
5		BP300000000		VINYL PIPE						.4	
6		B3507280000		OIL FELT						1	
7		BP600000000		VINYL PIPE						1.3	
8		D2112555B00		CORD HOLDER, LARGE						1	
9	D	B3504220000		OIL WICK HOLDER A						1	
10		CQ252200000		OIL WICK						.4	
11		B3507220000		OIL WICK HOLDER						1	
12		B3508220000		OIL TUBE HOLDER						2	
13	D	B3520220000		OIL SPONGE						1	
14		BP500000000		VINYL PIPE						.2	
15		B3501210000		OIL GAUGE						2	
16	D	B3518210000		OIL SPONGE						1	
17	R	B3508280000	26231407	BALANCE LUBRICATING PLATE						1	1.00
18	R	B3508280000	26231407	BALANCE LUBRICATING PLATE						1	1.00
19		B3538112000		OIL RETURN TUBE HOLDER						1	
20		SS6092120SP		SCREW 9/64-40 L=21.2						1	
21		SS6092120SP		SCREW 9/64-40 L=21.2						1	
22		SS7110710SP		SCREW 11/64-40 L=7						2	
23		SS4110715SP		SCREW 11/64-40 L=7						2	
24		SS4110715SP		SCREW 11/64-40 L=7						2	
25		WP0450801SD		WASHER 4.5X10X0.8						1	
26		SS4110715SP		SCREW 11/64-40 L=7						1	
27		WP0450000SD		WASHER 4.5X8X0.5						1	
28		13529607		SHUTTLE PACKING						2	
29		26231100		SHUTTLE LUBRICATING PLATE						1	
30		B3504280000		SHUTTLE FELT						1	
31		SS6090440SP		SCREW 9/64-40 L=4.0						2	
32		B3524215000		LUBRICATING ADJUSTING PLATE						1	
33		SM6040802TP		SCREW M4X0.7 L=8						1	
34		B3531223C00		LOWER SHAFT LUB- RICATING PLATE						1	
35	D	B3518210000		OIL SPONGE						1	
36	D	B3527223C00		FELT						1	
37	D	B3522223C00		FELT						1	
38	D	B3523223C00		FELT						1	
39		B3528223C00		OIL BAR PLATE A						1	
40		B3530223C00		OIL BAR PLATE B						1	
41		SM6040602TP		SCREW M4 L=6						3	
42		SS6090520SP		SCREW 9/64-40 L=5.0						2	
43		SM6040602TP		SCREW M4 L=6						2	
44		SS1110640TP		SCREW 11/64-40 L= 5.5						2	
45		SS7110840SP		SCREW 11/64-40 L=7.8						2	
46		WP0550800SP		WASHER 5.5X10X0.8						2	

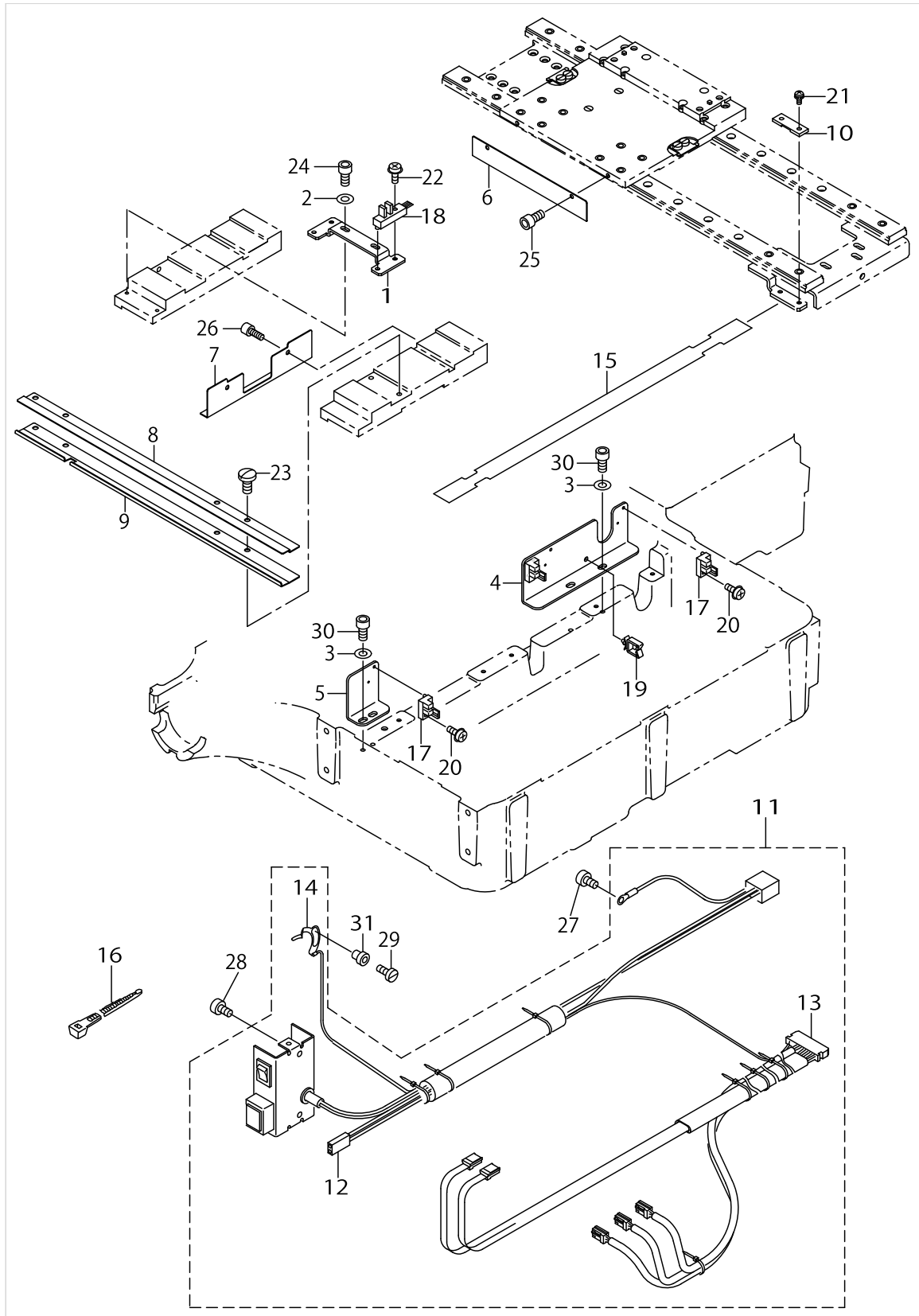
LUBRICATION COMPONENTS



LUBRICATION COMPONENTS

No.	Supply Code	Parts No.	Replacement	Parts name	Remarks	Choice	Step	Level	Cons	Qty	Rep. QTY
47		EA9502B0200		CABLE CLIP C						3	

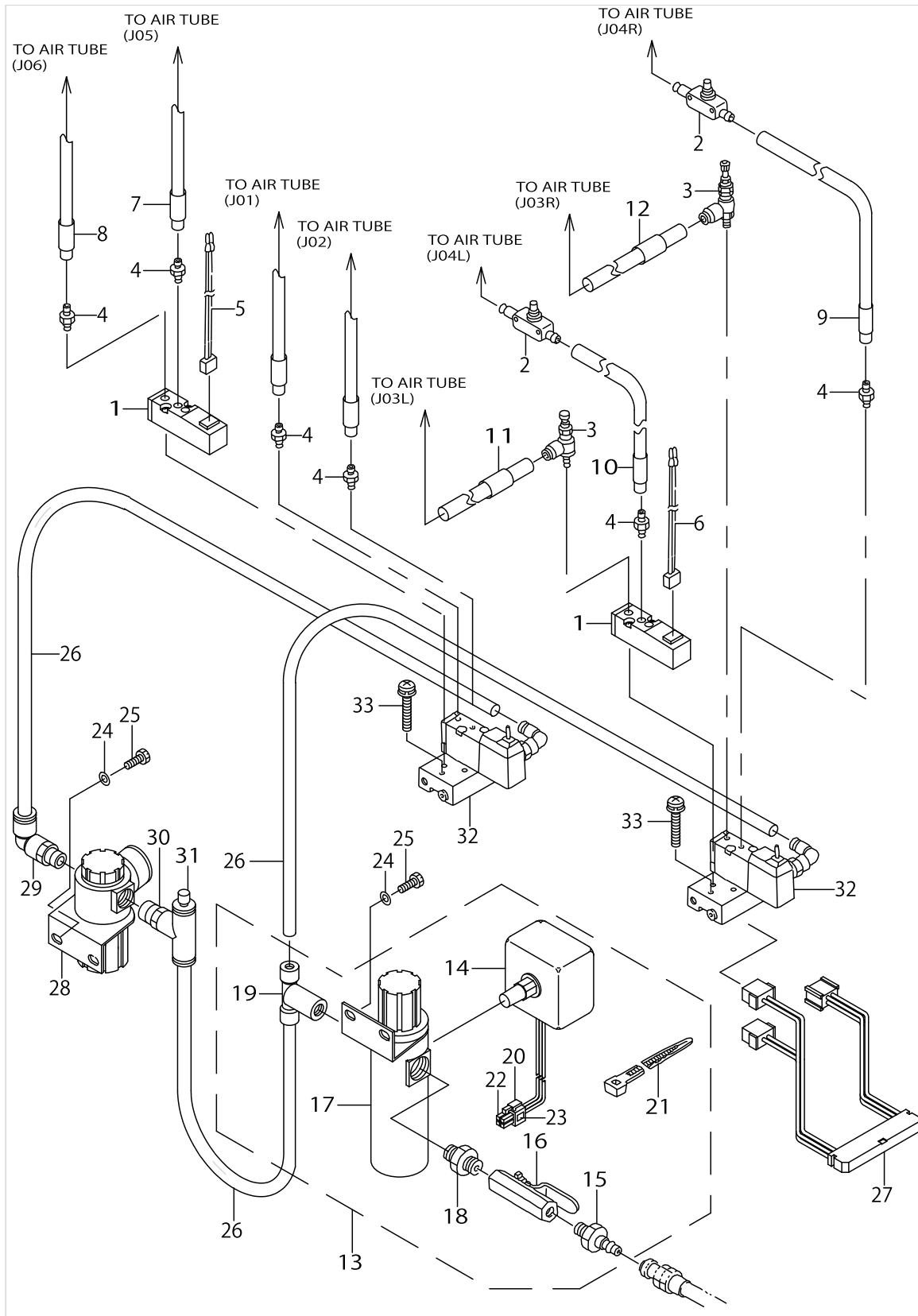
SENSOR COMPONENTS



SENSOR COMPONENTS

No.	Supply Code	Parts No.	Replacement	Parts name	Remarks	Choice	Step	Level	Cons	Qty	Rep. QTY
1		B4002224C00		X SENSOR FITTING PLATE.						1	
2		WP0450801SD		WASHER 4.5X10X0.8						2	
3		WP0450801SD		WASHER 4.5X10X0.8						4	
4		B4005223C00		Y SENSOR INSTALLING PLATE B						1	
5		B4006223C00		Y SENSOR INSTALLING PLATE A						1	
6	D	B4007223C00		X SLIT PLATE						1	
7		B4008223C00		Y SLIT PLATE						1	
8		B4020224C00		X SENSOR CORD COVER A						1	
9		B4021224C00		X SENSOR CORD COVER B						1	
10		B4022223C00		FLAT CABLE CLAMP						4	
11		B4110224CB0		HEAD SWITCH CABLE ASM.						1	
12	R	B4110223CA0	B4110223CB0	FRAME SWITCH CABLE ASM.				*		1	1.00
13		B4130224CA0		HEAD SENSOR CORD ASM.				*		1	
14	D	B4150223CA0		THREAD CUTTING PLATE ASM.				*		1	
15		B4120223C00		FLAT CABLE COVER						2	
16		EA9500B0100		CABLE BAND						5	
17		HD000570000		SENSOR						3	
18	R	HD001350000	HD002230000	SENSOR						2	1.00
19		HX004110000		CABLE PARTS						1	
20		SL4031081SF		SCREW M3 L=10						3	
21		SL4041091SC		SCREW M4 L=10						8	
22		SL4041281SF		SCREW M4 L=12						2	
23		SM7040800SC		SCREW M4X0.7 L=8						4	
24		SM6040802TP		SCREW M4X0.7 L=8						2	
25		SM6040802TP		SCREW M4X0.7 L=8						2	
26		SM6040802TP		SCREW M4X0.7 L=8						2	
27		SS4110815SP		SCREW 11/64-40 L=8						1	
28		SS4110815SP		SCREW 11/64-40 L=8						2	
29		SS7090850SP		SCREW 9/64-40 L=8						1	
30		SM6040802TP		SCREW M4X0.7 L=8						4	
31		B2703210000		BUSHING						1	

PNEUMATIC COMPONENTS



PNEUMATIC COMPONENTS

No.	Supply Code	Parts No.	Replacement	Parts name	Remarks	Choice	Step	Level	Cons	Qty	Rep. QTY
1		PV140501000		SOLENOID VALVE						2	
2		PC012401000		SPEED CONTROLLER						2	
3		PF070501000		PRESSURE DECREASING VALVE						2	
4		PJ032052503		HOSE NIPPLE						6	
5		B47122150A0		SOLENOID VALVE CONNECTOR ASM.						1	
6		B4712215AA0		SOLENOID VALVE CONNECTOR ASM.A						1	
7		B471122000E		AIR TUBE LABEL J05						1	
8		B471122000F		AIR TUBE LABEL J06						1	
9		B471122000H		AIR TUBE LABEL J04 RIGHT						1	
10		B471122000D		AIR TUBE LABEL J04 LEFT						1	
11		B471122000C		AIR TUBE LABEL J03 LEFT						1	
12		B471122000G		AIR TUBE LABEL J03 RIGHT						1	
13		B4715223CA0		FILTER REGULATOR ASM.						1	
14	R	G8124270000	G85048750A0	AIRPRESSUESWITCH		A	AVP-875	*		1	1.00
14	R	G8124270000	40030951	AIRPRESSUESWITCH		B	AMS-210E-N,AMS-221EN	*		1	1.00
14	R	G8124270000	B47152150A0	AIRPRESSUESWITCH		C	MEB-3200,-LK-1910/2-0/30/41,AMS-224E	*		1	1.00
15		PJ309005203		QUICK JOINT PLUG				*		1	
16	R	G5430116000	40030951	AIR COCK				*		1	1.00
17		PF0552040B0		FILTER REGULATOR				*		1	
18		PJ030520001		RING JOINT (NIPPLE)				*		1	
19		PJ305065202		TEE				*		1	
20		HK034610040		HOUSING				*		1	
21		EA9500B0100		CABLE BAND				*		5	
22		HK034640000		PIN CONTACT				*		3	
23	D	E2678453000		CONNECTOR MARKER J78				*		1	
24		WP0531000SC		WASHER 5.3X10X1						4	
25		SM9051450SC		SCREW M5X0.8 L=14						4	
26		BT0600401EB		TUBE						.35	
27	D	B47162150A0		SOLENOID VALVE CORD ASM.						1	
28		PF025208000		REGULATER						1	
29		PJ304045203		ELBOW UNION						1	
30		PJ305065202		TEE						1	
31		PX950009000		PLUG						1	
32		B4717223C00		SOLENOID VALVE						2	
33		SL4042581SF		SCREW M4 L=25						4	

TABLE COMPONENTS

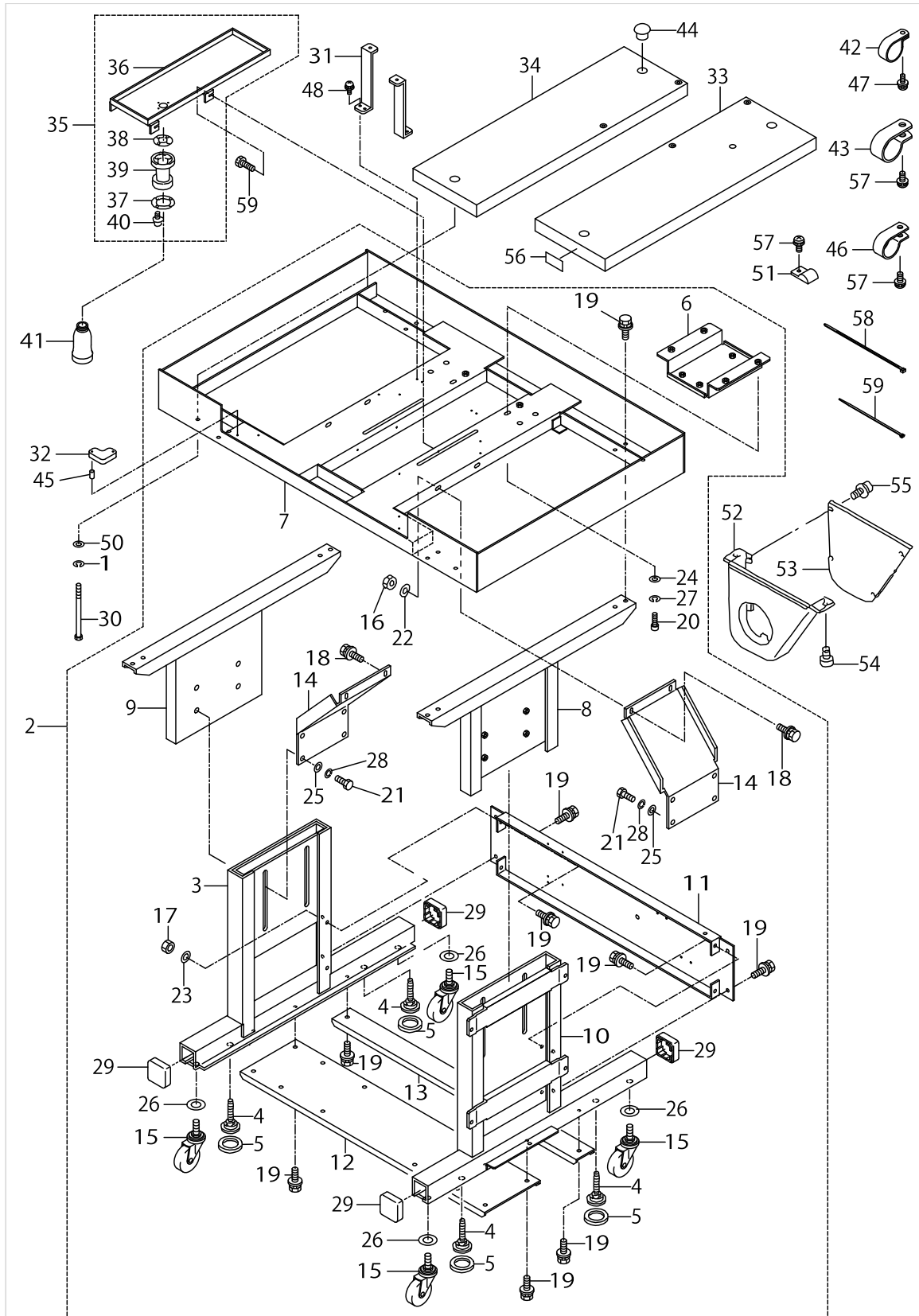


TABLE COMPONENTS

No.	Supply Code	Parts No.	Replacement	Parts name	Remarks	Choice	Step	Level	Cons	Qty	Rep. QTY
1		WS0861410KR		SPRING WASHER 8.6X15X1.4							4
2		B8301223CA0		STAND ASM.							1
3		B8102215A00		STAND LOWER LEFT				*			1
4		B8108220000		ADJUSTING BOLT				*			4
5		B8109220000		RUBBER CAP				*			4
6		B8116223C00		MOTOR SLIDE PLATE				*			1
7		B8301223C00		UPPER STAND				*			1
8		B8302223C00		UPPER STAND STRUT,RIGHT				*			1
9		B8303223C00		UPPER STAND STRUT,LEFT				*			1
10		B8304223C00		LOWERSTAND,RIGHT				*			1
11		B8306223C00		SIDE STRUT				*			1
12		B8307220000		LOWER STRUT A				*			1
13		B8308220000		LOWER STRUT B				*			1
14		B8309223C00		STAND STAY				*			2
15		G5032164000		CASTER				*			4
16		NM6080001SC		NUT M8X1.25				*			4
17		NM6080001SC		NUT M8X1.25				*			2
18		SL9082093SE		SCREW				*			4
19		SL9082093SE		SCREW				*			22
20		SM6082502TP		SCREW M8 L=25				*			4
21	D	SM9122503SE		SCREW M12 L=25				*			8
22		WP0841601SC		WASHER 8.4X17.4X1.6				*			4
23		WP0841601SC		WASHER 8.4X17.4X1.6				*			2
24		WP0871602SE		WASHER 8.7X18X1.6				*			4
25		WP1302501SC		WASHER 13X24X2.5				*			8
26	D	WP1702616SE		WASHER				*			4
27		WS0861410KR		SPRING WASHER 8.6X15X1.4				*			4
28		WS1253010KN		SPRING WASHER 12.5X21.5X3				*			8
29		20243200		STAND CAP, W				*			4
30		B8117223C00		BOLT							4
31		B8118223C00		COVER INSTALLING STAY							2
32		B8171223C00		RUBBER ABSORBER							4
33		B8201223C0A		TABLE,RIGHT							1
34		B8201223C0B		TABLE,LEFT							1
35	D	B8110223CA0		OIL PAN ASM.							1
36		B8110223C00		OIL PAN				*			1
37		B8111220000		WASHER				*			1
38		B8112220000		OIL SEAL				*			1
39		B8202205000		OIL MANAGEMENT				*			1
40		SL4031481SC		SCREW M3 X 14				*			4
41		B9121012000		OIL CAN							1
42		EA9502B0100		CLIP							1
43		HX00150000J		CLIP							2
44		HX00326000B		BUSH							2
45		PS0400141KH		SPRING PIN 4X14							8
46		HX00150000K		CABLE CLIP							1

TABLE COMPONENTS

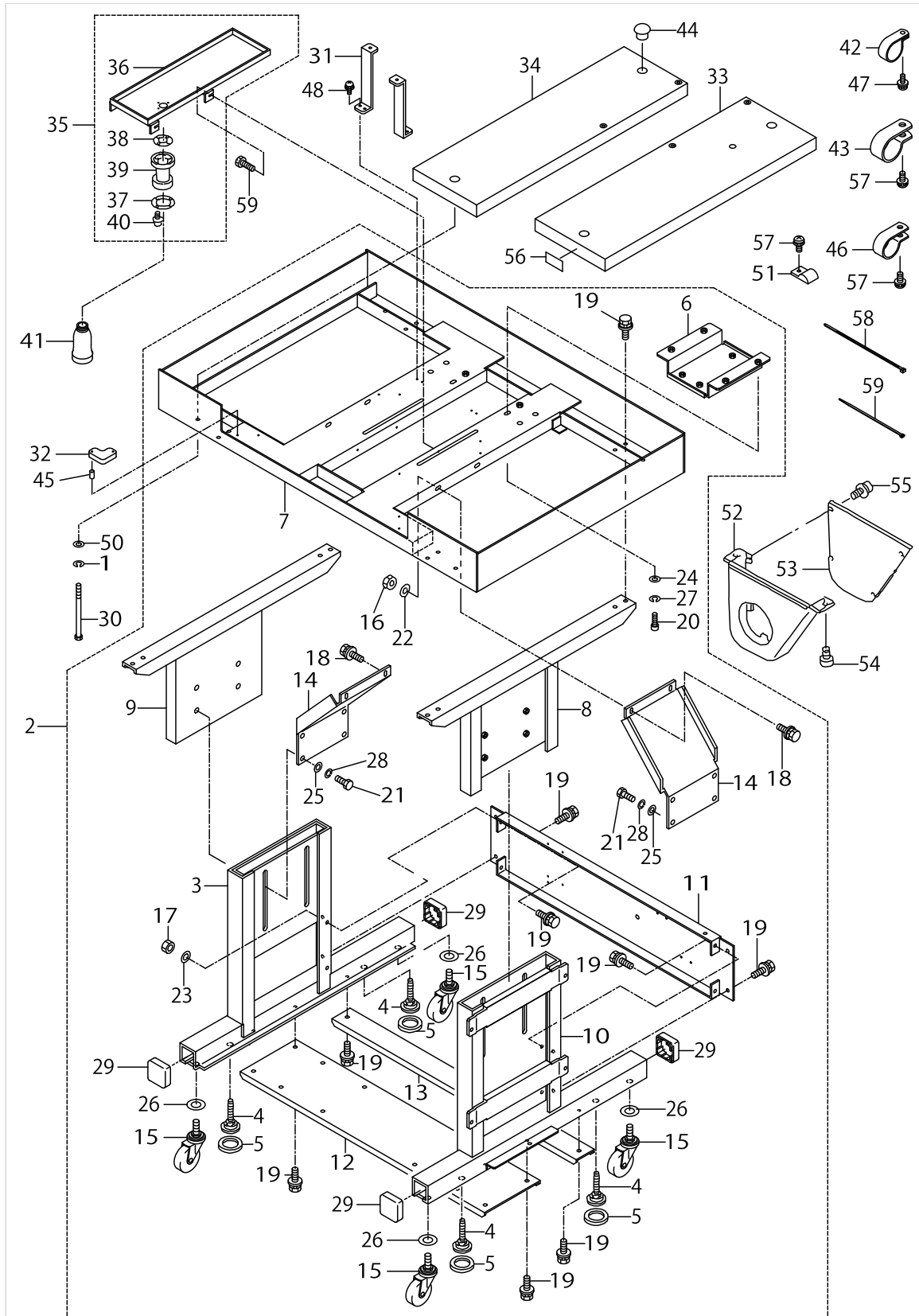
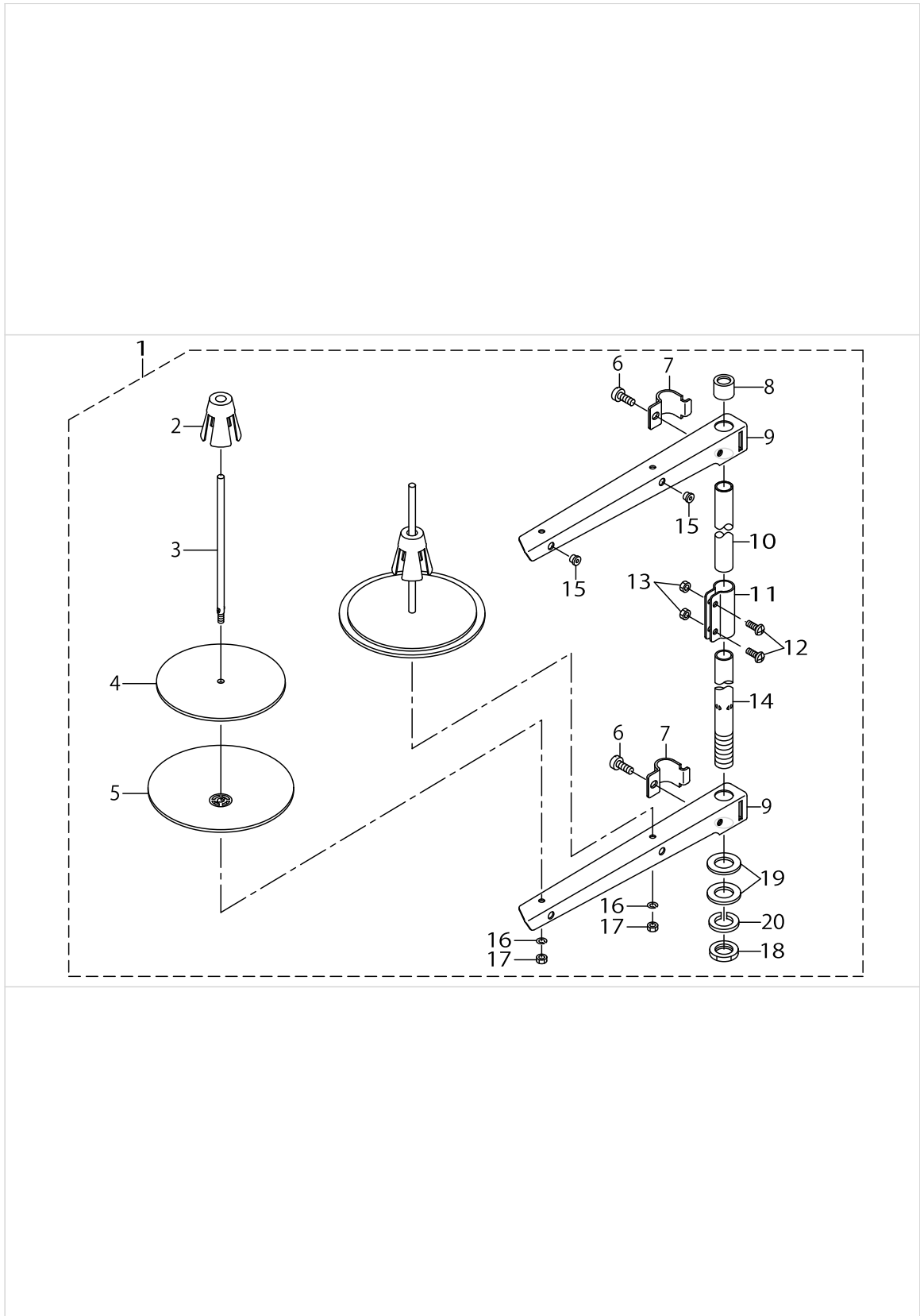


TABLE COMPONENTS

No.	Supply Code	Parts No.	Replacement	Parts name	Remarks	Choice	Step	Level	Cons	Qty	Rep. QTY
47		SL4040891SC		SCREW M4 L=8						1	
48		SL4041091SC		SCREW M4 L=10						4	
49		SM9041250SC		SCREW M4X0.7 L=12						4	
50		WP0871602SE		WASHER 8.7X18X1.6						4	
51		EA9502B0200		CABLE CLIP C						1	
52		B821021000B		MOTOR PULLEY COVER (A)	FOR EXPORT					1	
53		B821121000B		MOTOR PULLEY COVER (B)	FOR EXPORT					1	
54		SL4051241SE		SCREW	FOR EXPORT					2	
55		SL4040691SC		SCREW M4 L=6	FOR EXPORT					6	
56		CM500100001		CE MARKING LABEL	FOR JE					1	
57		SL4041091SC		SCREW M4 L=10						4	
58		HX00065000A		CABLE CLIP						1	
59		EA9500B0200		CABLE BAND 150						1	

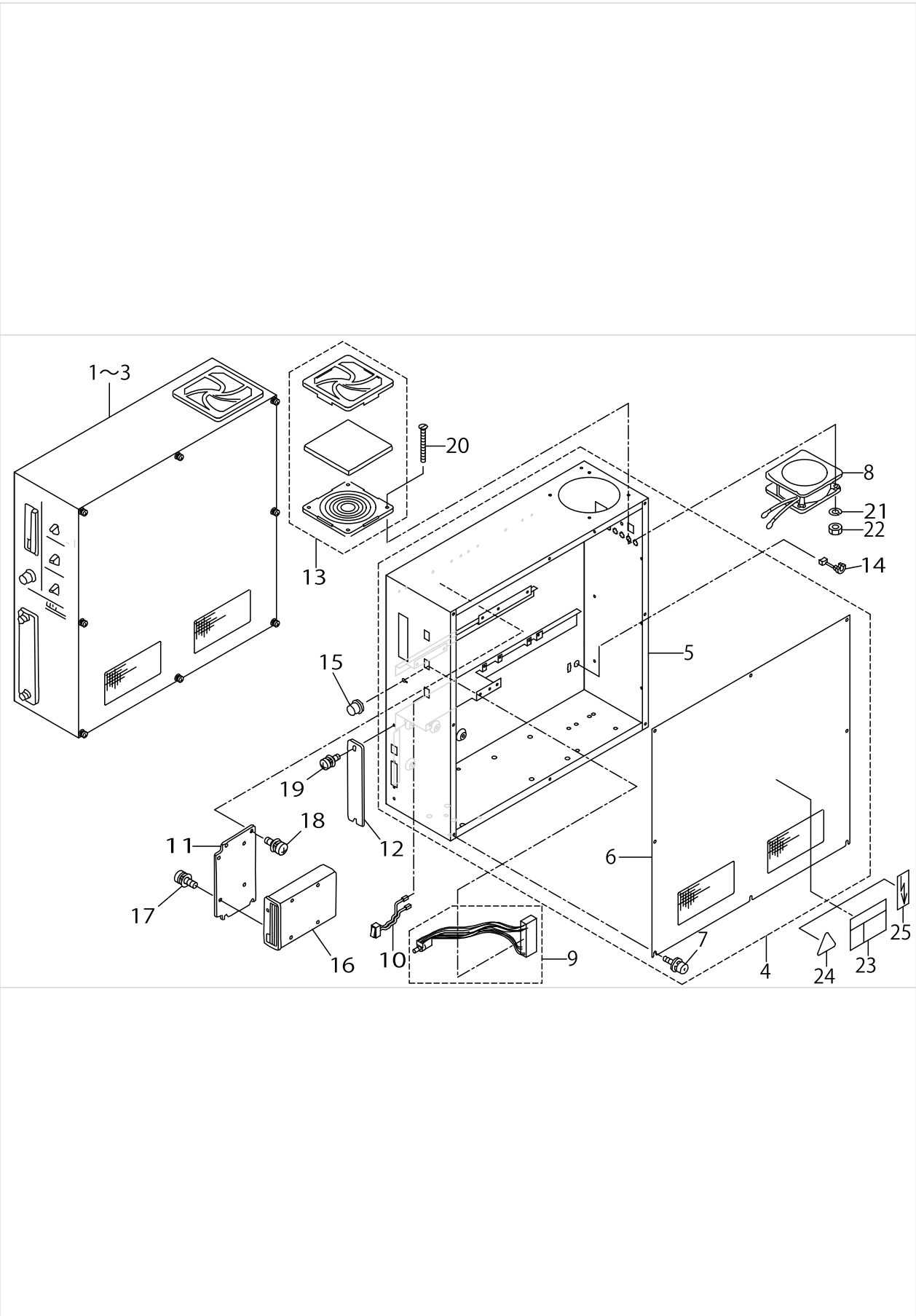
THREAD STAND COMPONENTS



THREAD STAND COMPONENTS

No.	Supply Code	Parts No.	Replacement	Parts name	Remarks	Choice	Step	Level	Cons	Qty	Rep. QTY
1	R	22930358	40096354	THREAD STAND ASM.						1	1.00
2	R	22931109	40085791	SPOOL RETAINER				*		2	1.00
3	R	22931000	40085790	SPOOL PIN				*		2	1.00
4		22930903		SPOOL REST CUSHION				*		2	
5		22930804		SPOOL REST				*		2	
6		SM6061610SC		SCREW M6 L=16				*		2	
7	R	22930705	40096354	THREAD GUIDE ARM JOINT				*		2	1.00
8		22931406		SPOOL REST ROD RUBBER CAP				*		1	
9	R	22930507	40096354	SPOOL REST ARM				*		2	1.00
10	R	22930408	40096354	SPOOL REST ROD, UPPER				*		1	1.00
11	R	22931307	40096354	SPOOL REST ROD JOINT				*		1	1.00
12		SM4051405SE		SCREW M5 L=14				*		2	
13		NM6050001SE		NUT M5				*		2	
14	R	22930309	40096354	SPOOL REST ROD, LOWER				*		1	1.00
15		22931208		THREAD GUIDE				*		2	
16		WS0510002KN		SPRING WASHER				*		2	
17		NM6050001SE		NUT M5				*		2	
18		NM6160511SE		NUT M16X1.5				*		1	
19		WP1612616SE		WASHER 16X30X2.6				*		2	
20	R	WS1643202KR	WP1612616SE	SPRING WASHER		A		*		1	2.00
20	R	WS1643202KR	40085796	SPRING WASHER		A		*		1	2.00

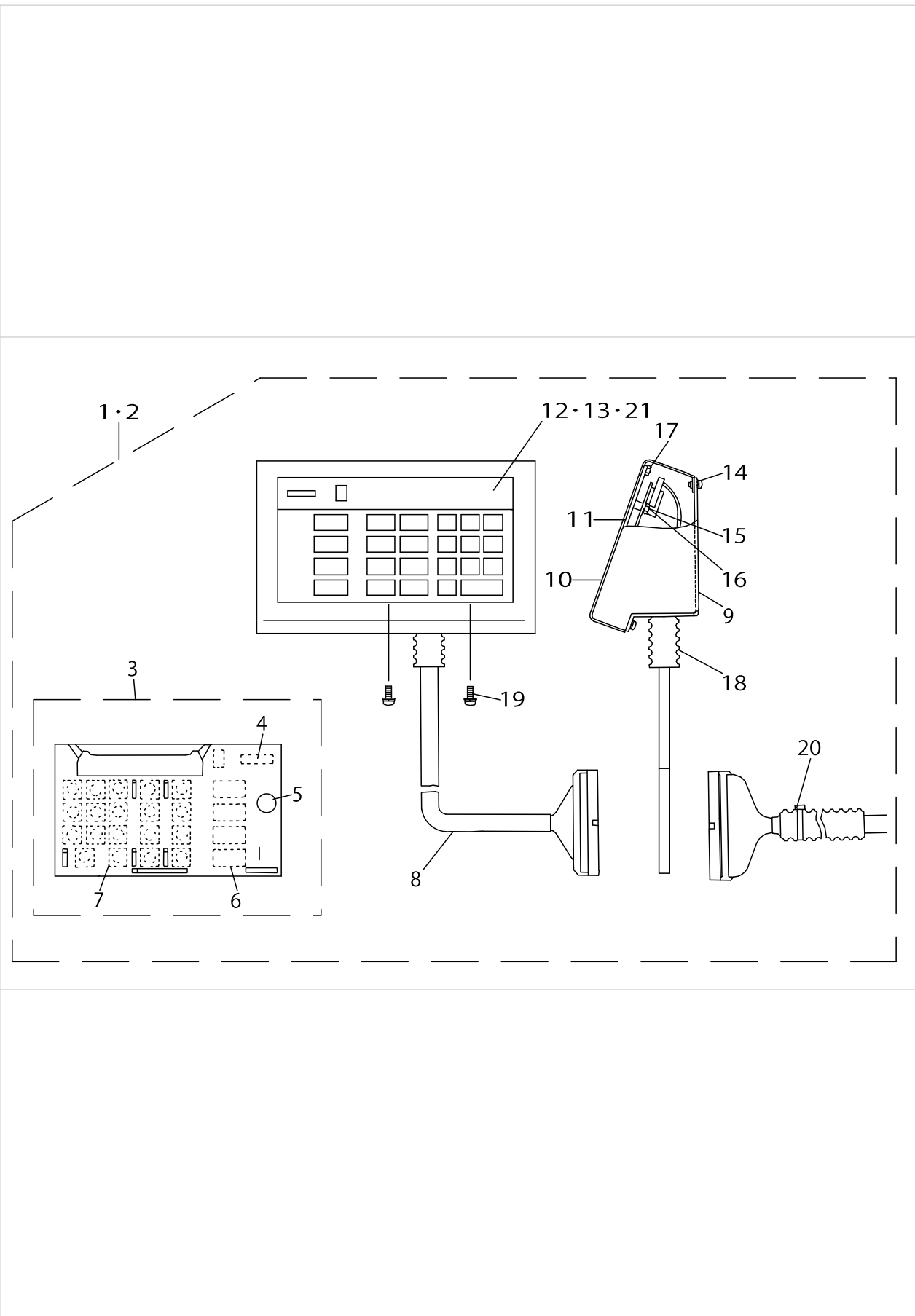
CONTROL BOX COMPONENTS



CONTROL BOX COMPONENTS

No.	Supply Code	Parts No.	Replacement	Parts name	Remarks	Choice	Step	Level	Cons	Qty	Rep. QTY
1	D	M8510522AA0A		CONTOROLBOXASM.	FOR 100V,200V					1	
2		M8510522BA0A		CONTOROLBOXASM.	FOR 380V					1	
3		M8510522CA0A		CONTOROLBOXASM.	FOR 380V(FOR JE)					1	
4		M10015220A0		CONTOROLBOXASM.						1	
5		M1001522000		CONTOROL BOX				*		1	
6		M10025220A0		CONTOROL BOX COVER ASM.				*		1	
7		SL4041091SC		SCREW M4 L=10				*		8	
8		M85045220A0		FAN ASM.						1	
9		B85325180A0		SPEED VOLUME ASM.						1	
10		M85315180A0		SEESAW SWITCH ASM.						3	
11	D	M1011512000		FDD INSTALLING PLATE						1	
12		M1010510000		PLATE						1	
13		HM000630010		FILTER						1	
14		HX004100000		BUSH						1	
15		HX00114000B		KNOB						1	
16	R	HX003840000	40063909	FLOPPYDISK3.5INCH		A				1	1.00
16	R	HX003840000	S9622710000	FLOPPYDISK3.5INCH		A				1	1.00
17		SL4030691SC		SCREW M3X6						4	
18		SL4041091SC		SCREW M4 L=10						4	
19		SL4041091SC		SCREW M4 L=10						2	
20		SM1044050SM		SCREW M4X0.7 L=40						4	
21		WS0410002KN		SPRING WASHER						4	
22		NM6040001SB		NUT M4						4	
23		CM300100101		DANGER LABEL (SMALL)	FOR USE IN JAPAN					1	
24		CM300100001		LABEL	FOR 380V(FOR JE)					1	
25		G6705152U0A		LABEL	FOR EXPORT					1	

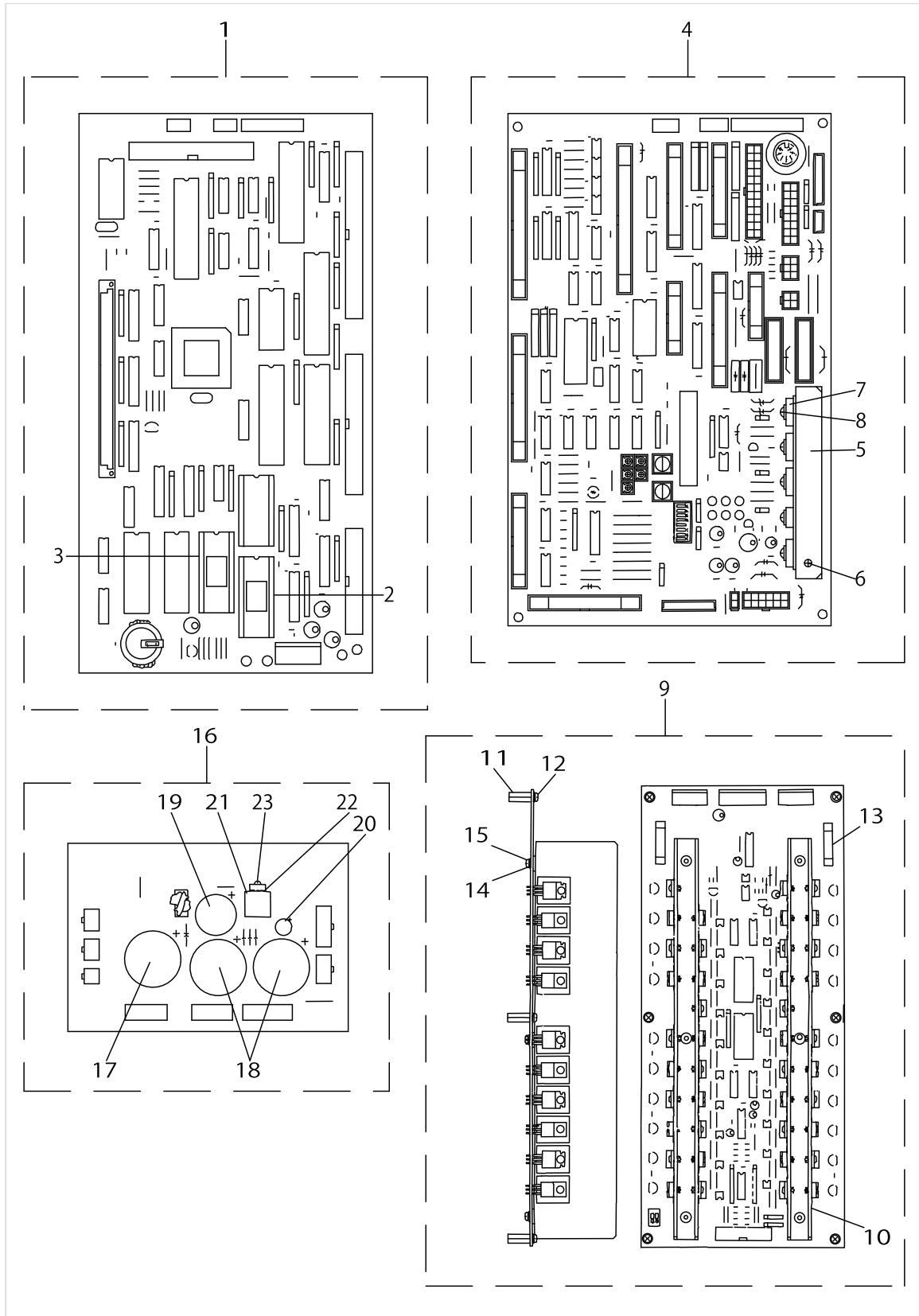
OPERATION BOX COMPONENTS



OPERATION BOX COMPONENTS

No.	Supply Code	Parts No.	Replacement	Parts name	Remarks	Choice	Step	Level	Cons	Qty	Rep. QTY
1	D	M8570517AB0		OPERATION BOX A ASM.	FOR USE IN JAPAN					1	
2	D	M8570517BB0		OPERATION BOX B ASM.	FOR EXPORT					1	
3		M8670510AA0		OPERATION PCB A ASM.				*		1	
4	D	HG003280000		DIODE (LD701VR)				*		1	
5		HX001530000		BUZZER 1				*		1	
6	D	HG003290000		DIODE (LA301VLL)				*		13	
7		HA001410000		KEY SWITCH				*		19	
8	D	M90505170A0		OPERATION BOX COVER				*		1	
9		M1074517000		OPERATION BOX INSIDE COVER				*		1	
10		M1081518000		OPERATION BOX COVER				*		1	
11		M1082518000		OPERATION BOX BASE COVER				*		1	
12		M300451300G		PANEL SHEET(DOMESTIC)	FOR USE IN JAPAN			*		1	
13		M30045180A0		OPERATION PANEL SHEET ASM.	FOR EXPORT			*		1	
14		SL4030681SC		SCREW M3 L=6				*		4	
15		NM6030001SC		NUT M3				*		6	
16		WP0320500SC		WASHER M3				*		6	
17		NM6030001SC		NUT M3				*		4	
18		HX00307000C		CABLE CLAMP				*		0.1	
19		SL4040881SC		SCREW M4 L=8				*		2	
20		EA9500B0100		CABLE BAND				*		1	
21	D	M3012518000		OPERATION PANEL SHEET (KOREA)	SELECTIVE PARTS			*		1	

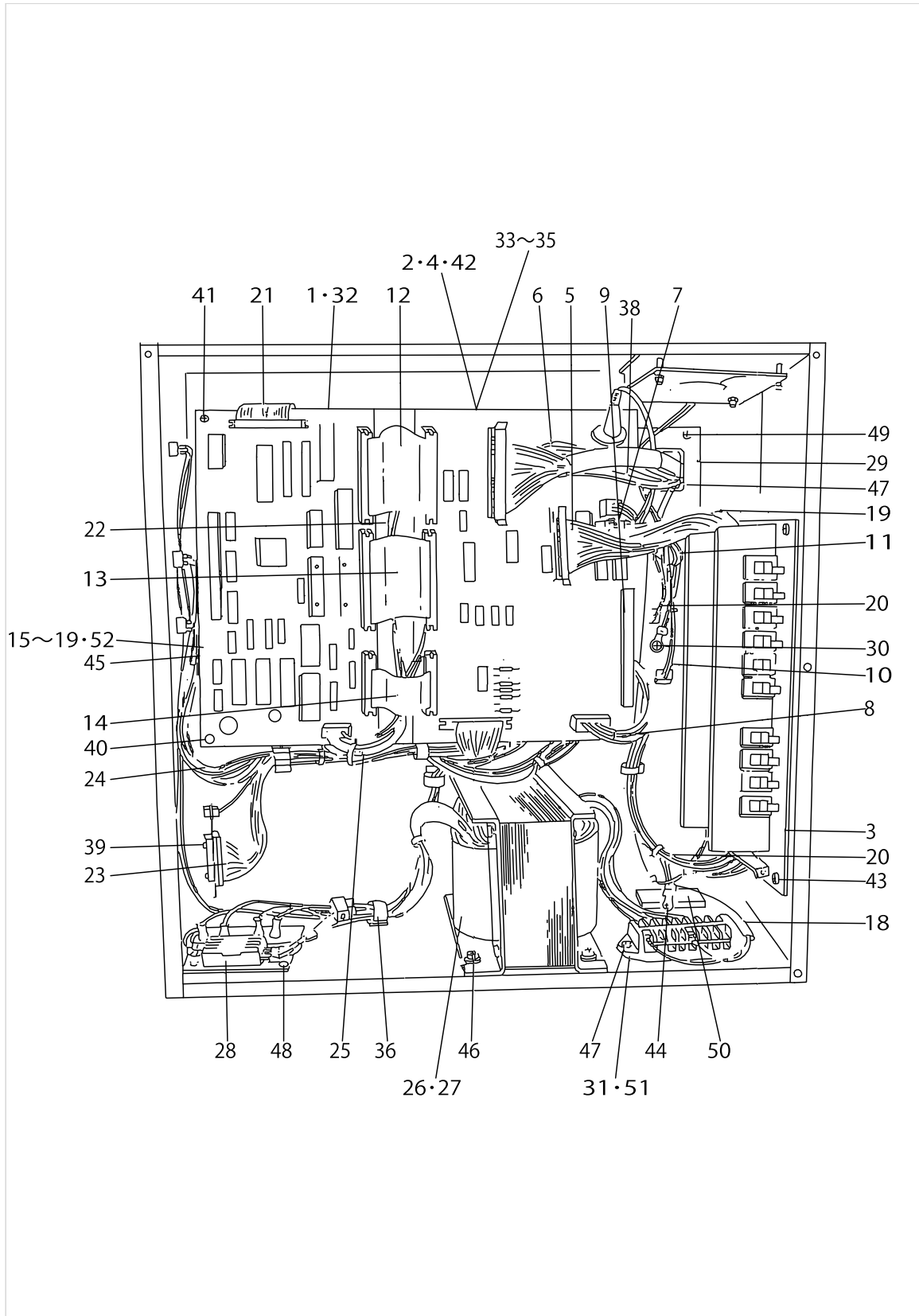
CIRCUIT BOARD COMPONENTS



CIRCUIT BOARD COMPONENTS

No.	Supply Code	Parts No.	Replacement	Parts name	Remarks	Choice	Step	Level	Cons	Qty	Rep. QTY
1	D	M8601518EB0		CPU PCB E ASM.						1	
2		HL014530026		IC				*		1	
3		HL014530027		IC				*		1	
4	D	M86025290B0A		I/F PCB ASM.						1	
5		M1001521000		HEAT SINK PLATE				*		1	
6		SL4030891SC		SCREW M3X8				*		2	
7		HT002570000		TRANSISTOR				*		3	
8		SL4030881SC		SCREW M3X8				*		5	
9	R	M8602522AA0	M90175220A0	PMDC PCB A ASM.		A				1	1.00
9	R	M8602522AA0	M8603522AA0	PMDC PCB A ASM.		A				1	1.00
10		M1003522000		HEAT SINK				*		2	
11		HX001990000		PARTS				*		6	
12		SL4030891SC		SCREW M3X8				*		6	
13		E9628252000		FUSE 7A				*		2	
14		HX00337000B		PARTS				*		6	
15		SL4040891SC		SCREW M4 L=8				*		6	
16		M86015220A0		POWER BOARD ASM.						1	
17		HC021801030		ELECTROLYSYS ALUMINUM				*		1	
18	D	HC040002720		ELECTROLYSYS ALUMINUM				*		2	
19		HC041101020		ELECTROLYSYS ALUMINUM				*		1	
20	D	HC025202210		CONDENSER 220MF				*		1	
21		HX001180000		HEAT SINK				*		1	
22		HX002410000		COOL SINK				*		1	
23		SL4030881SC		SCREW M3X8				*		1	

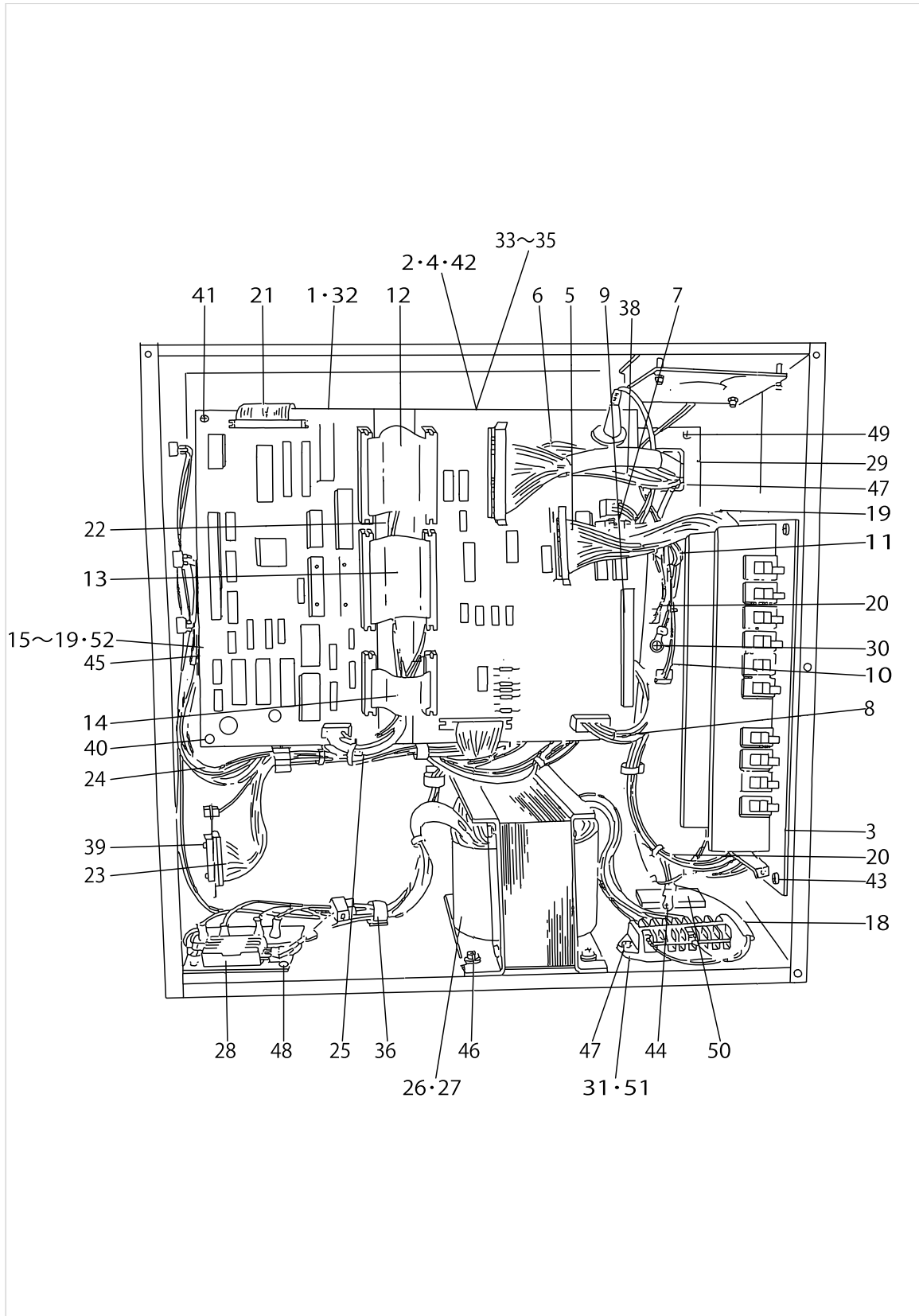
POWER SUPPLY & CORD COMPONENTS



POWER SUPPLY & CORD COMPONENTS

No.	Supply Code	Parts No.	Replacement	Parts name	Remarks	Choice	Step	Level	Cons	Qty	Rep. QTY
1	D	M8601518EB0		CPU PCB E ASM.						1	
2	D	M86025290B0A		I/F PCB ASM.						1	
3	R	M8602522AA0	M90175220A0	PMDC PCB A ASM.		A				1	1.00
3	R	M8602522AA0	M8603522AA0	PMDC PCB A ASM.		A				1	1.00
4		M86015220A0		POWER BOARD ASM.						1	
5	D	M90075220A0		TRUNK CODE ASM.						1	
6		M90065220A0		SENSOR TRUNK CODE ASM.						1	
7		M90125220A0		TRUNK CODE ASM.						1	
8		M90035220A0		POWER CODE ASM.						1	
9		M90085220A0		TRUNK CODE ASM.						1	
10		M90085210A0		PEDAL SWITCH TRUNK CORD ASM.						1	
11	D	M90095210A0		PK-47 TRUNK CORD ASM.						1	
12		M90105210A0		SIGNALING CORD A ASM.						1	
13		M90115210A0		SIGNALING CORD B ASM.						1	
14		M90125210A0		SIGNALING CORD C ASM.						1	
15	R	M85055220A0	40019580	REGULATOR ASM.						1	1.00
16	R	M8511512000	M85115120A0	SWITCHING POWER						1	1.00
17		M90095220A0		MOTOR CODE ASM.	EXCEPT JE					1	
18		M90165220A0		AC CABLE ASM.						1	
19	D	M90155220A0		CODE ASM.						1	
20		M90015220A0		PMDC POWER CODE ASM.PO						1	
21	D	M85465120A0		FDD SIGNALING CORD ASM.						1	
22		M90025220A0		FDD POWER CODE ASM.						1	
23	D	M85515120A0		PGM-1 SIGNALING CORD ASM.						1	
24		M90045220A0		POWER CODE ASM.						1	
25		M90055220A0		CPU POWER CODE ASM.						1	
26		M8502522CA0		POWERTRANSCASM.	FOR 100V~250V					1	
27		M8502522DA0		POWERTRANSDASM.	FOR 220V~ ~440V(FOR EXPORT)					1	
28	D	M85035220A0		RECTIFIER ASM.						1	
29		17845009		CORD FITTING PLATE						1	
30		HK038450010		TERMINAL						1	
31		HK045550080		TERMINAL	EXCEPT JE					1	
32		HX004150000		BOARD SUPPORT						2	
33		HX004150000		BOARD SUPPORT						2	
34		HX001470000		PCB HOLDER						1	
35		HX004150000		BOARD SUPPORT						3	
36		HX00024000C		CORD CLAMP						1	
37		HX004070000		BUSH						1	
38	R	HX002890000	HX005970000	BEADE BAND						1	1.00
39		SL4030881SC		SCREW M3X8						2	
40		SL4030891SC		SCREW M3X8						2	
41		SL4030891SC		SCREW M3X8						2	
42		SL4030891SC		SCREW M3X8						3	
43		SL4040881SC		SCREW M4 L=8						6	
44		SL4041091SC		SCREW M4 L=10						2	

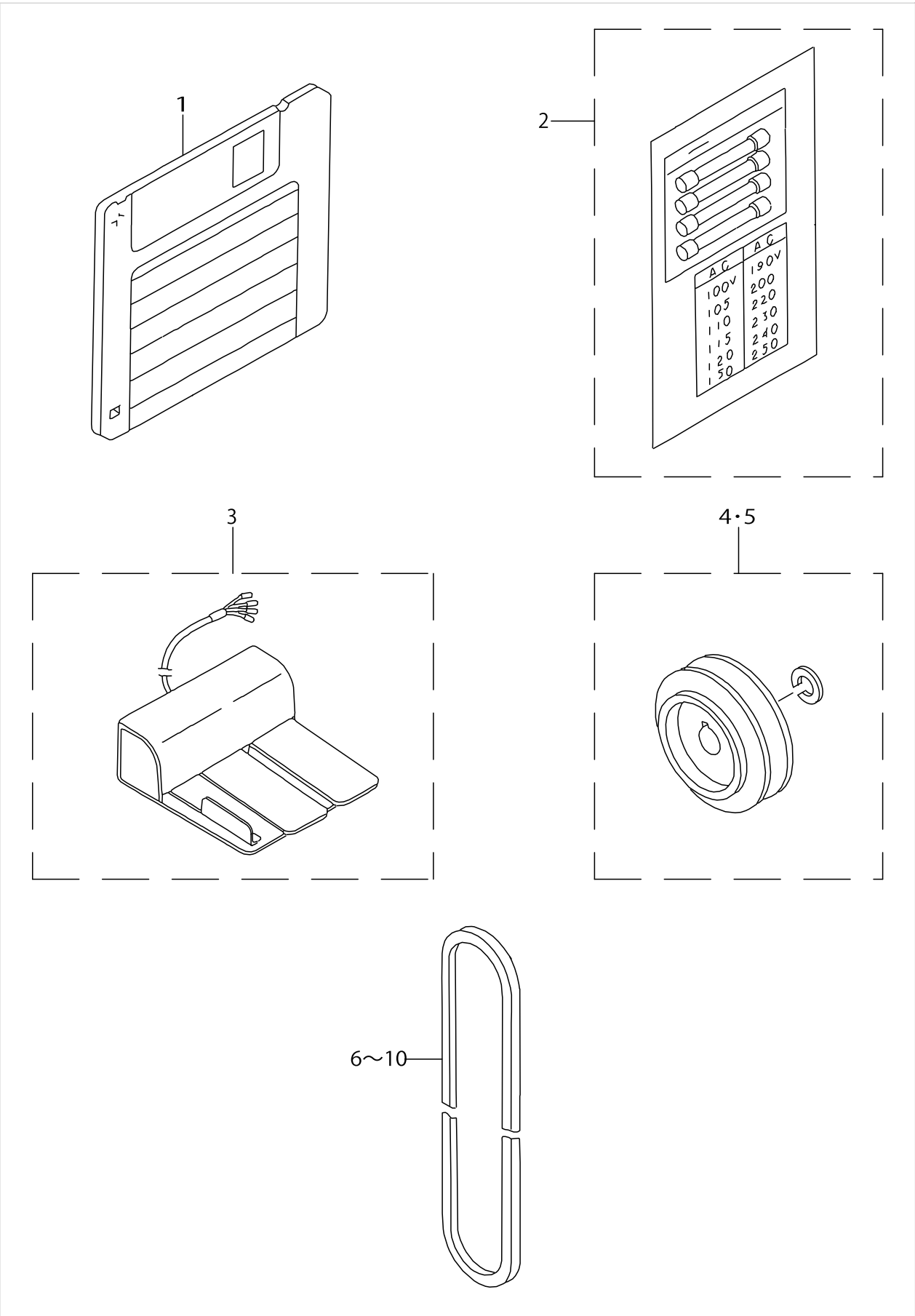
POWER SUPPLY & CORD COMPONENTS



POWER SUPPLY & CORD COMPONENTS

No.	Supply Code	Parts No.	Replacement	Parts name	Remarks	Choice	Step	Level	Cons	Qty	Rep. QTY
45		SL4030891SC		SCREW M3X8						2	
46		SL4061091SC		SCREW						4	
47		SL4042091SC		SCREW M4X0.7 L=20						2	
48		SL4041091SC		SCREW M4 L=10						3	
49		SL4041091SC		SCREW M4 L=10						2	
50		M1011518000		EARTH PLATE A	FOR JE					1	
51	D	M85415180A0		TERMINAL ASM.	FOR JE					1	
52		M9009522AA0		MOTOR CODE ASM.	FOR JE					1	

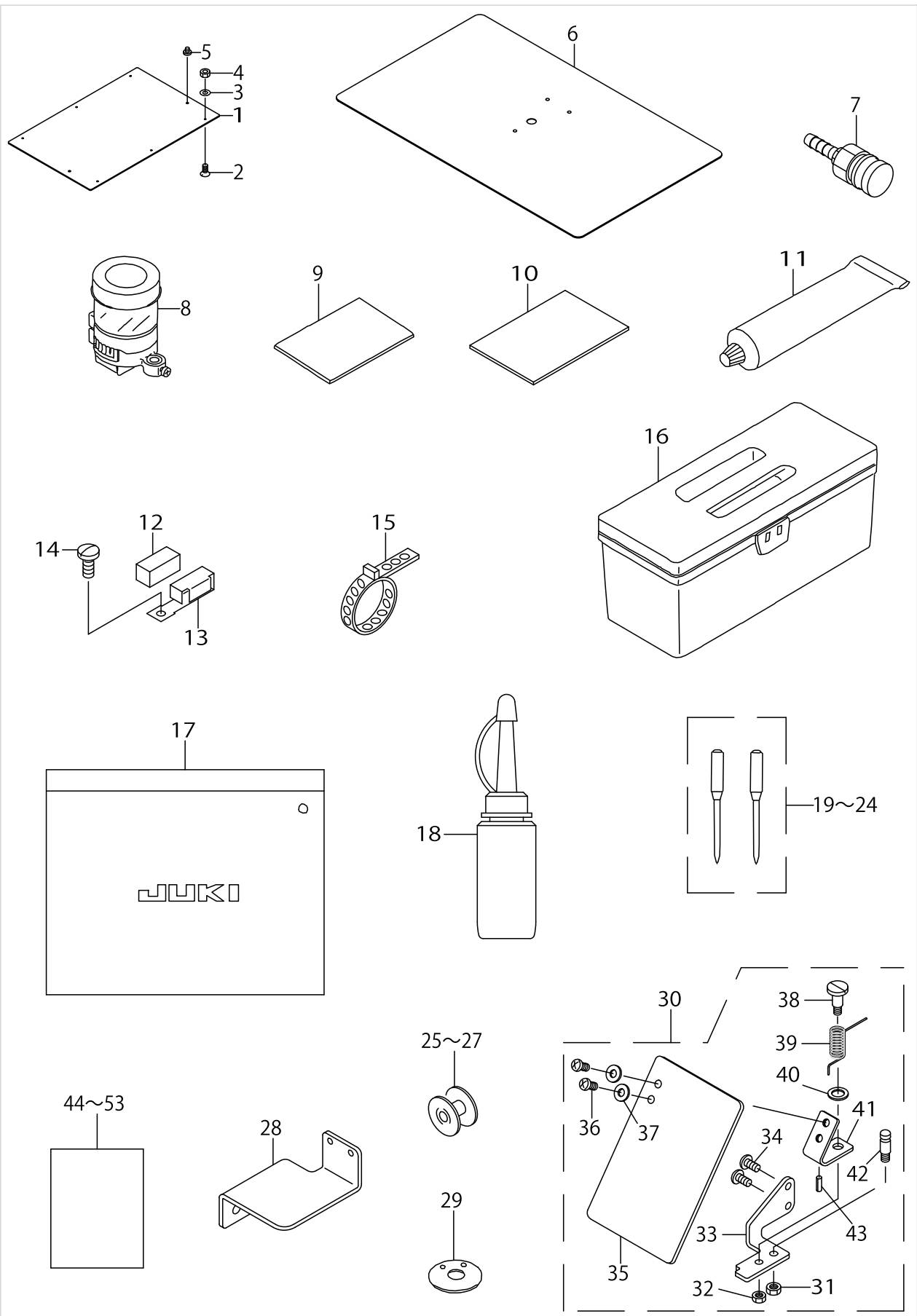
PEDAL & ELECTRIC EQUIPMENT ACCESSORIES PART COMPONENTS



PEDAL & ELECTRIC EQUIPMENT ACCESSORIES PART COMPONENTS

No.	Supply Code	Parts No.	Replacement	Parts name	Remarks	Choice	Step	Level	Cons	Qty	Rep. QTY
1		M8902522000		SERVICE DISK						1	
2		M85995120A0		ACCESSORIES ASM.						1	
3		GPK470010AB		3-PEDAL ASM.						1	
4	D	MTSE8110702		PULLEY P.C.D. 45	FOR 60HZ					1	
5		MTSE8110704		PULLEY P.C.D. 55	FOR 50HZ					1	
6		MTJVM004700		V-BELT, 47 INCH	SELEVTIVE PARTS					1	
7		MTJVM004800		V-BELT, 48 INCH	SELEVTIVE PARTS					1	
8		MTJVM004900		V-BELT, 49 INCH	SELEVTIVE PARTS					1	
9		MTJVM005000		V-BELT, 50INCH	SELEVTIVE PARTS					1	
10		MTJVM005100		V-BELT,51 INCH	SELEVTIVE PARTS					1	

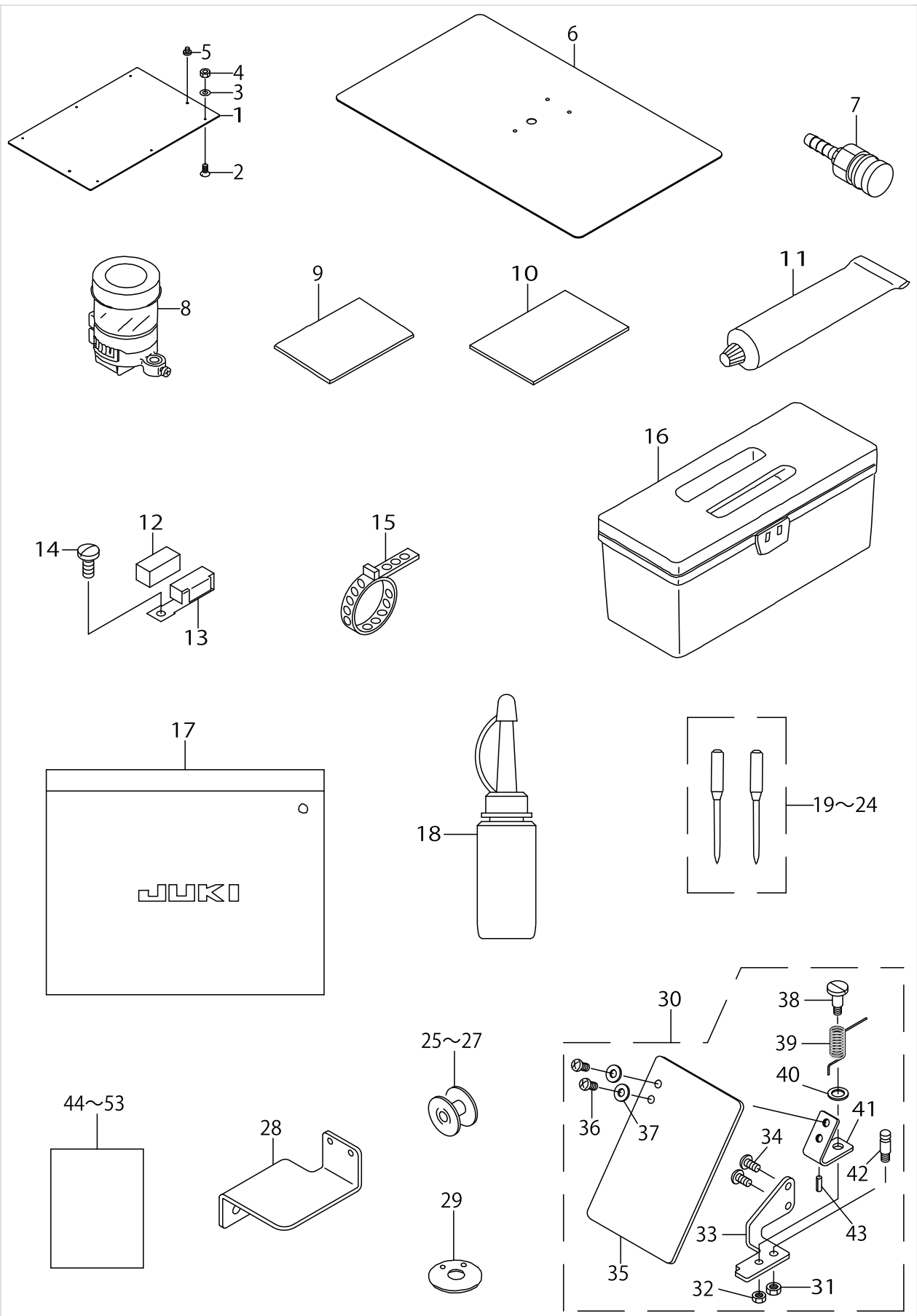
ACCESSORIES PART COMPONENTS



ACCESSORIES PART COMPONENTS

No.	Supply Code	Parts No.	Replacement	Parts name	Remarks	Choice	Step	Level	Cons	Qty	Rep. QTY
1		B2557224C00		PLASTIC BLANK PLATE.						2	
2		SS2111010TP		SCREW 11/64-40 L=9.5						6	
3		WP0450000SD		WASHER 4.5X8X0.5						6	
4		B1626850000		ADJUSTING NUT						6	
5		SS7090410SP		SCREW9/64-40L=3.5						2	
6		B1170224C00		AUXILIARY COVER SHEET.						1	
7		PJ309520001		SOCKET						1	
8	R	MAXAP30EX00	40097301	SILICON TANK	G TYPE					1	1.00
9		B2591220000		RUBBER SHEET						1	
10		B2564223C00		SPONGE						1	
11		13525506		GREASE TUBE						1	
12		B1131528000		FELT						1	
13		10102259		THREADGUIDEASM.F						1	
14	R	SS7090910SP	SS7090910TP	SCREW9/64-40L=8.5						1	1.00
15		PB000010000		HOSE BAND						1	
16		B8601WP10A0		TOOL BOX ASM.						1	
17	R	B9101552000	22932800	ACCESSORY BOX						1	1.00
18		B91212200A0		OILER (CONTAINING NO.2 OIL)						1	
19	R	MDP500B1402	MDP500B1400	NEEDLE DPX5#14-2	S TYPE(EXCPT JE)					1	1.00
20		MC200501002		NEEDLE 134 #100-2	S TYPE(FOR JE)					1	
21	R	MDP170B1802	MDP170B1800	NEEDLE DPZ17#18-2	H TYPE(EXCPT JE)					1	1.00
22		MDP170B2302		NEEDLE DPX17#23-2	G TYPE(EXCPT JE)					1	
23		MC372001102		NEEDLE SY3355 #110-2	H TYPE(FOR JE)					1	
24	R	MC372001602	MC372001600	NEEDLE SY3355 #160-2	G TYPE(FOR JE)					1	1.00
25		B1805205000		BOBBIN	S TYPE					1	
26		B180520500B		BOBBIN	H TYPE					1	
27		B1805210A00		BOBBIN	G TYPE					1	
28		B2535210000		TANK BASE	G TYPE					1	
29		B242621000G		NEEDLE HOLE GUIDE D=3	G TYPE					1	
30	R	13551254	40052806	SAFETY PLATE ASM.						1	1.00
31		NS6120310SP		NUT 3/16-28					*	1	
32		NS6110310SP		NUT 11/64-40					*	1	
33	R	13551205	26235705	SAFETY PLATE INSTALLING BASE					*	1	1.00
34		SS4110715SP		SCREW 11/64-40 L=7					*	2	
35	R	B3120372000	26037200	SAFETY PLATE					*	1	1.00
36		SS4110715SP		SCREW 11/64-40 L=7					*	2	
37		WP0450801SD		WASHER 4.5X10X0.8					*	2	
38		SD0601021SP		HINGE SCREW D=6 H=10.2					*	1	
39		13943204		SAFETY PLATE RETURN SPRING					*	1	
40		WP0740516SP		WASHER 7.4X11.8X0.5					*	1	
41	R	B3121372000	26037309	SAFETY PLATE INS-TALLING PLATE					*	1	1.00
42	R	B1506352000	26226407	TENSION SPRING RACK B					*	1	1.00
43		PS0200062KH		SPRING PIN 2X6					*	1	
44	D	29146800		AMS-215 LIST,JAPANESE	FOR USE IN JAPAN					1	
45		29156502		AMS-215C JAPANESE MANUAL	FOR USE IN JAPAN					1	
46		29156809		AMS-215 BODY LIST,JAPANESE	FOR USE IN JAPAN					1	

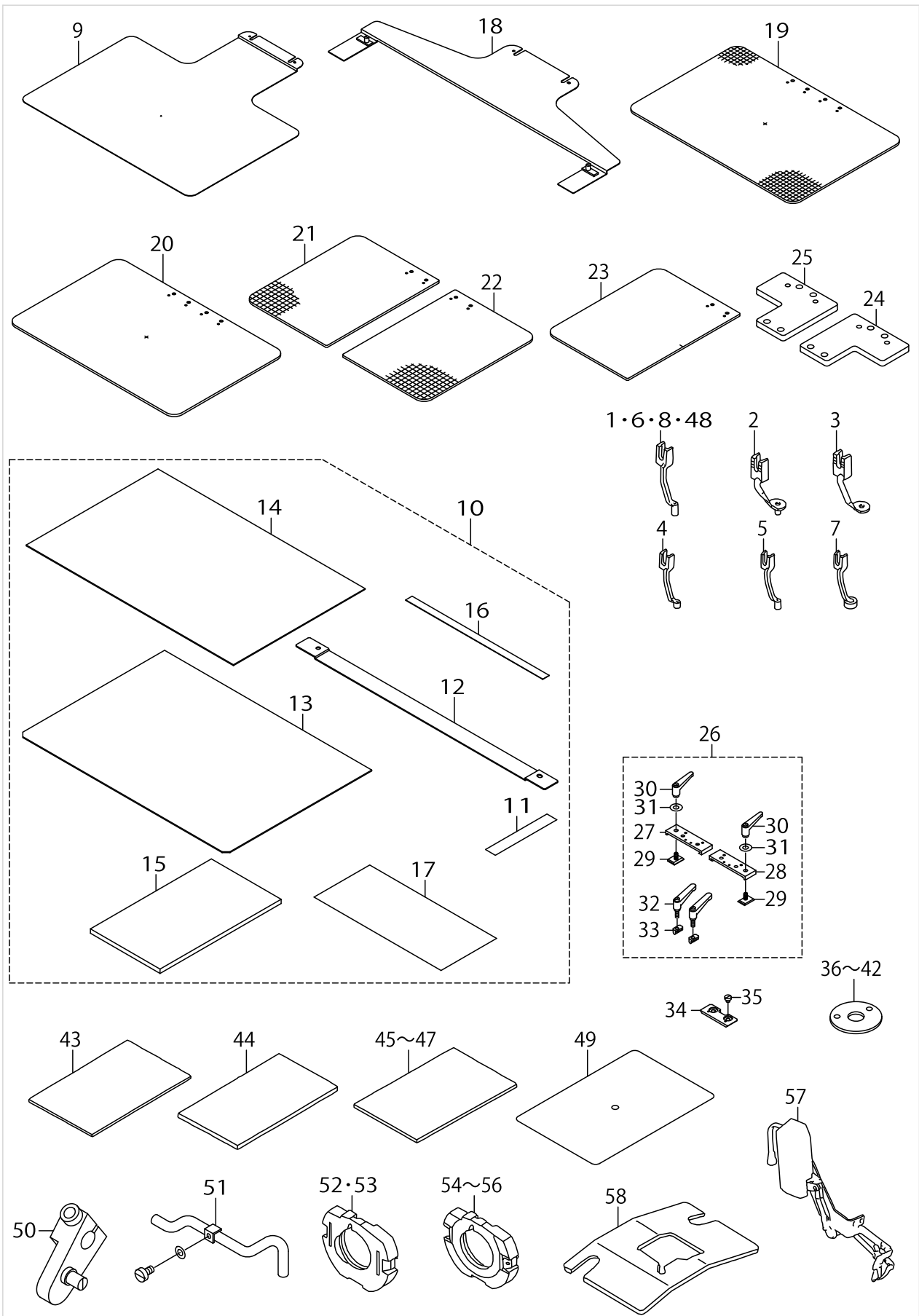
ACCESSORIES PART COMPONENTS



ACCESSORIES PART COMPONENTS

No.	Supply Code	Parts No.	Replacement	Parts name	Remarks	Choice	Step	Level	Cons	Qty	Rep. QTY
47		29194008		INST. MANUAL, AMS-224C, JAP.	FOR USE IN JAPAN					1	
48		29156601		INST. MANUAL, AMS-215C (ENG.)	FOR EXPORT					1	
49	D	29156908		AMS-215 BODY LIST,ENGLISH	FOR EXPORT					1	
50		29194107		AMS-224C INSTRUCTION MANUAL	FOR EXPORT					1	
51	D	29150000		AMS-215 LIST,ENGLISH	FOR EXPORT					1	
52	D	29156700		AMS-215C BODY LIST	FOR JE					1	
53		29194206		AMS-224C INSTRUCTION MANUAL	FOR JE					1	

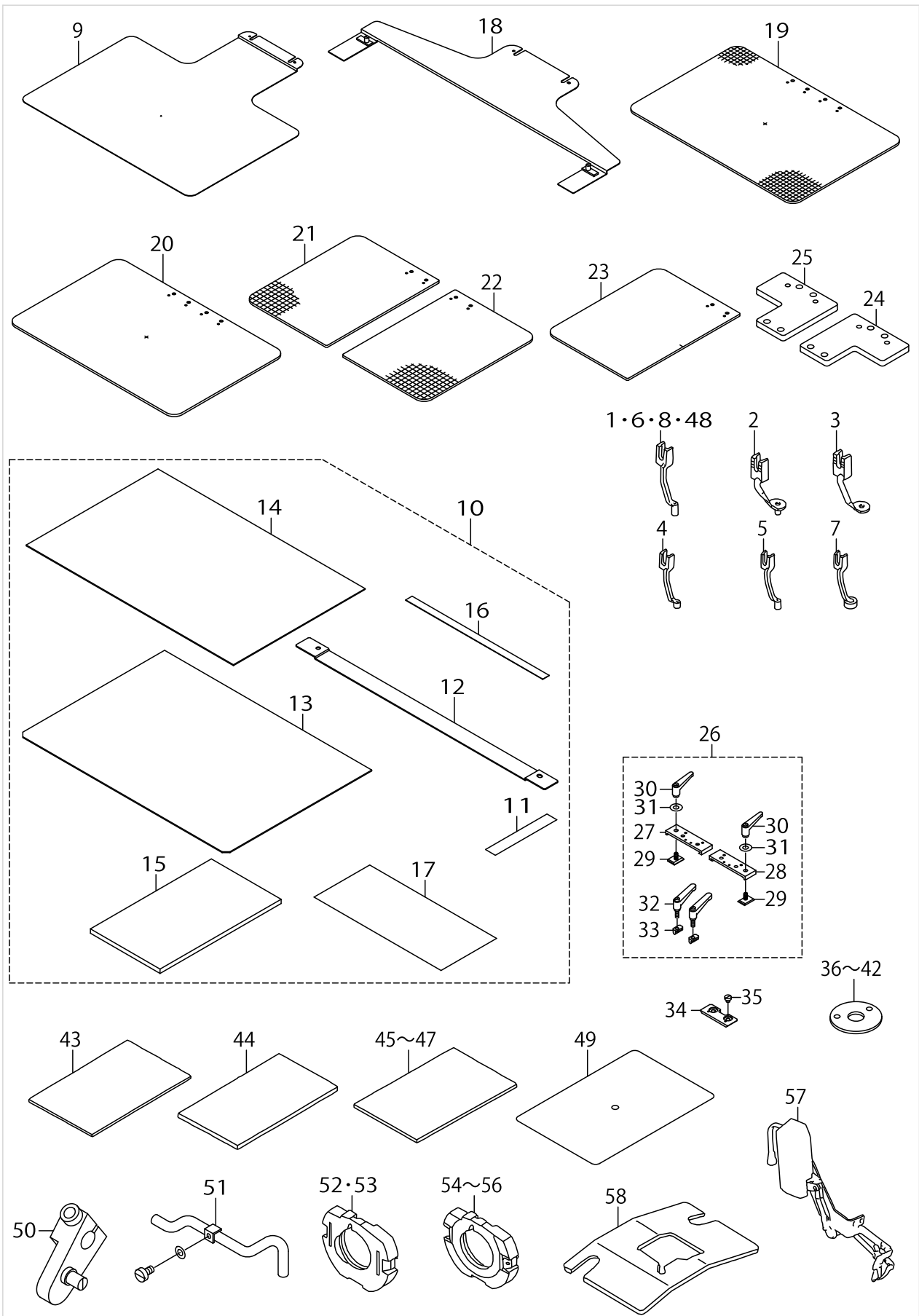
OPTIONAL PART COMPONENTS



OPTIONAL PART COMPONENTS

No.	Supply Code	Parts No.	Replacement	Parts name	Remarks	Choice	Step	Level	Cons	Qty	Rep. QTY
1		B160122000B		INTERMEDIATE PRESSER B						1	
2		B160122000C		INTERMEDIATE PRESSER C						1	
3		B160122000D		INTERMEDIATE PRESSER D						1	
4		B160122000E		INNER PRESSER (E)						1	
5		B160122000F		INNER PRESSER (F)						1	
6		B160122000G		INNER PRESSER G						1	
7		B16012200A0		INNER PRESSER FOOT ASM.						1	
8		B1601220000		INTERMEDIATE PRESSER A						1	
9	D	B2556224C0A		LOWER PLATE BLANK.						1	
10		B2582224CA0		CASSETTE PRESSER ASM.						1	
11		B2572229000		FILAMENT TAPE				*		2	
12		B2582224C00		CASSETTE PRESSE- R BASE PLATE.				*		1	
13		B2583224C00		CASSETTE PRESSE- R LOWER PLATE.				*		1	
14		B2584224C00		CASSETTE PRESSE- R UPPER PLATE.				*		1	
15		B2588220000		WORK CLAMP PAP- ER MATERIAL (B)				*		2	
16		B2589223C00		CASSETTE PRESSER SPACER				*		1	
17		B2646215000		TAPE				*		1	
18		B2581224CA0		CASSETTE PRESSE- R FIXING PLATE.						1	
19	D	B2620223C00		FEEDING FRAME BLANK						1	
20	D	B2621223C00		FEEDING FRAME BLANK						1	
21	D	B2622223C00		FEEDING FRAME BLANK, RIGHT						1	
22		B2623223C00		FEEDING FRAME BLANK, LEFT						1	
23		B2626223C00		FEEDING FRAME BLANK PLATE						1	
24		B2630215AA0		SLIDING PLATE ASM. RIGHT						1	
25		B26302150A0		SLIDING PLATE ASM. LEFT						1	
26	D	B26402150B0		CLAMP ASM.						1	
27	D	B26402150A0		FEEDING FRAME BLANK RIGHT				*		1	
28	D	B2640215AA0		FEEDING FRAME BLANK LEFT				*		1	
29		B26432150A0		SETTING PLATE ASM.				*		2	
30		B5116210000		CLAMP LEVER				*		2	
31		WP0650876SD		WASHER 6.5X13X0.8				*		2	
32		B5115210000		FEEDING FRAME CLAMP LEVER				*		2	
33		B2645215000		LOWER PLATE				*		2	
34		B26412150A0		SLIDE ASM.						2	
35		SS6150610SP		SCREW 15/64-28 L=5.5						4	
36		B242621000A		NEEDLE HOLE GUIDE D=1.6						1	
37		B242621000B		NEEDLE HOLE GUIDE D=2.0						1	
38		B242621000C		NEEDLE HOLE GUIDE D=1.6						1	
39		B242621000D		NEEDLE HOLE GUIDE D=2.4						1	
40		B242621000F		NEEDLE HOLE GUIDE D=3.0						1	
41		B242621000G		NEEDLE HOLE GUIDE D=3						1	
42		B242621000H		NEEDLE HOLE GUIDE D=3.0						1	
43		B2587220000		WORK CLAMP PAP- ER MATERIAL (A)						1	
44		B2588220000		WORK CLAMP PAP- ER MATERIAL (B)						1	

OPTIONAL PART COMPONENTS

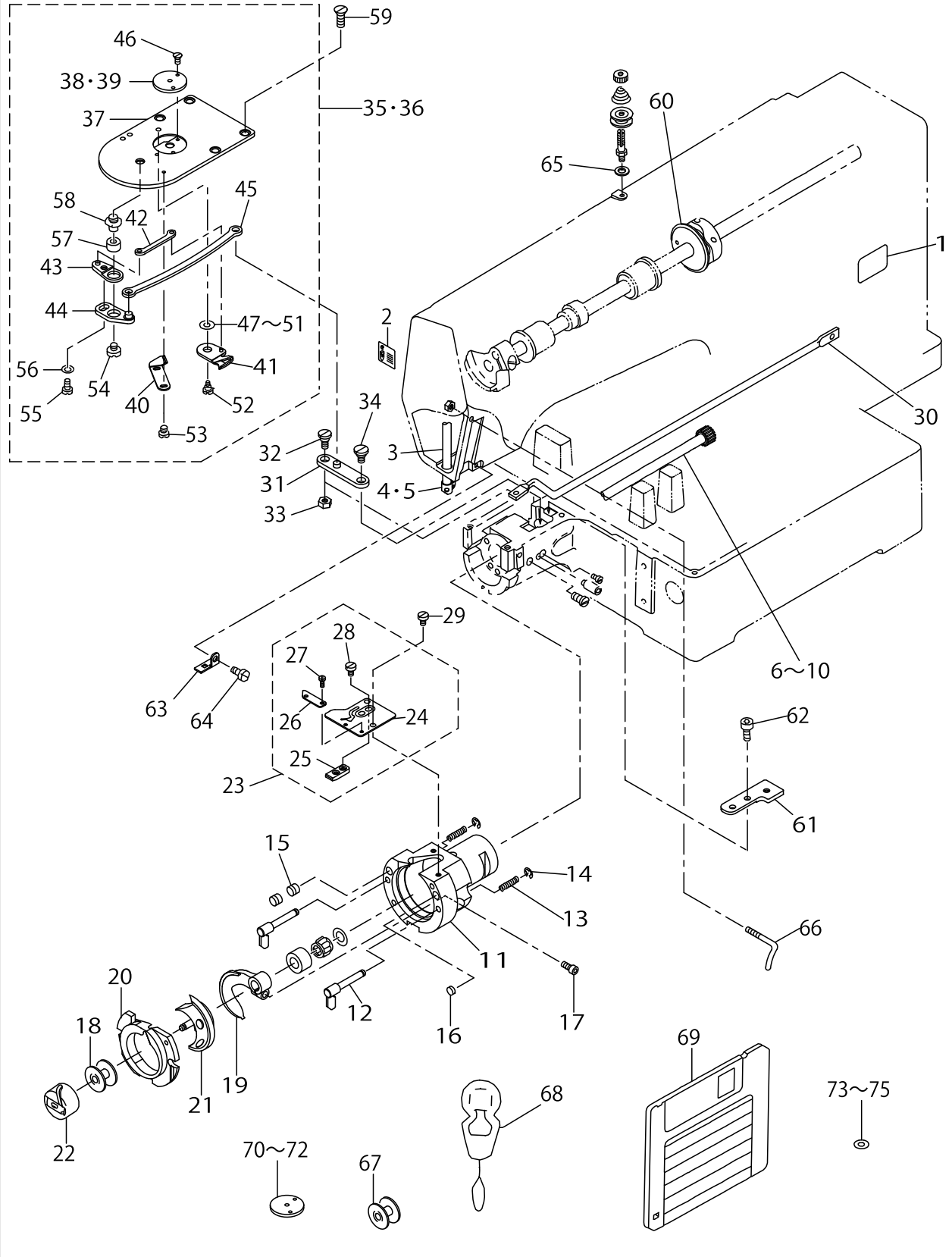


OPTIONAL PART COMPONENTS

No.	Supply Code	Parts No.	Replacement	Parts name	Remarks	Choice	Step	Level	Cons	Qty	Rep. QTY
45		B259522000A		PRESSER CLOTH SHEET						1	
46		B259522000B		PRESSER CLOTH SHEET B						1	
47	D	B259522000C		PRESSER CLOTH SHEET						1	
48		B160122000H		INNER PRESSER, H						1	
49		B1170224C00		AUXILIARY COVER SHEET.						1	
50		B23162150A0		CONNECTING ARM ASM.						1	
51		B47202150B0		NEEDLE COOLER ASM.						1	
52		B18172050A0		SHUTTLE RACE RING ASM.						1	
53		B18172050AB		SHUTTLE RACE RING ASM.						1	
54	D	B18172100A0		SHUTTLE RACE RING COMPL.						1	
55		B18172100AB		SHUTTLE RACE RING B ASM.						1	
56		B18172100AC		SHUTTLE RACE RING C COMPL.						1	
57	D	B21202150A0		NEEDLE THREAD CLAMP DEVICE						1	
58		B1815210A00		SHUTTLE UPPER SPRING						1	

AMS-224P EXCLUSIVE PART COMPONENTS (1)

(Caution) Please understand that the specifications of the current AMS-224C cannot be modified to those of the AMS-224P.
 (注意) 現行のAMS-224CからAMS-224Pへ改造による仕様変更はできません。ご了承ください。

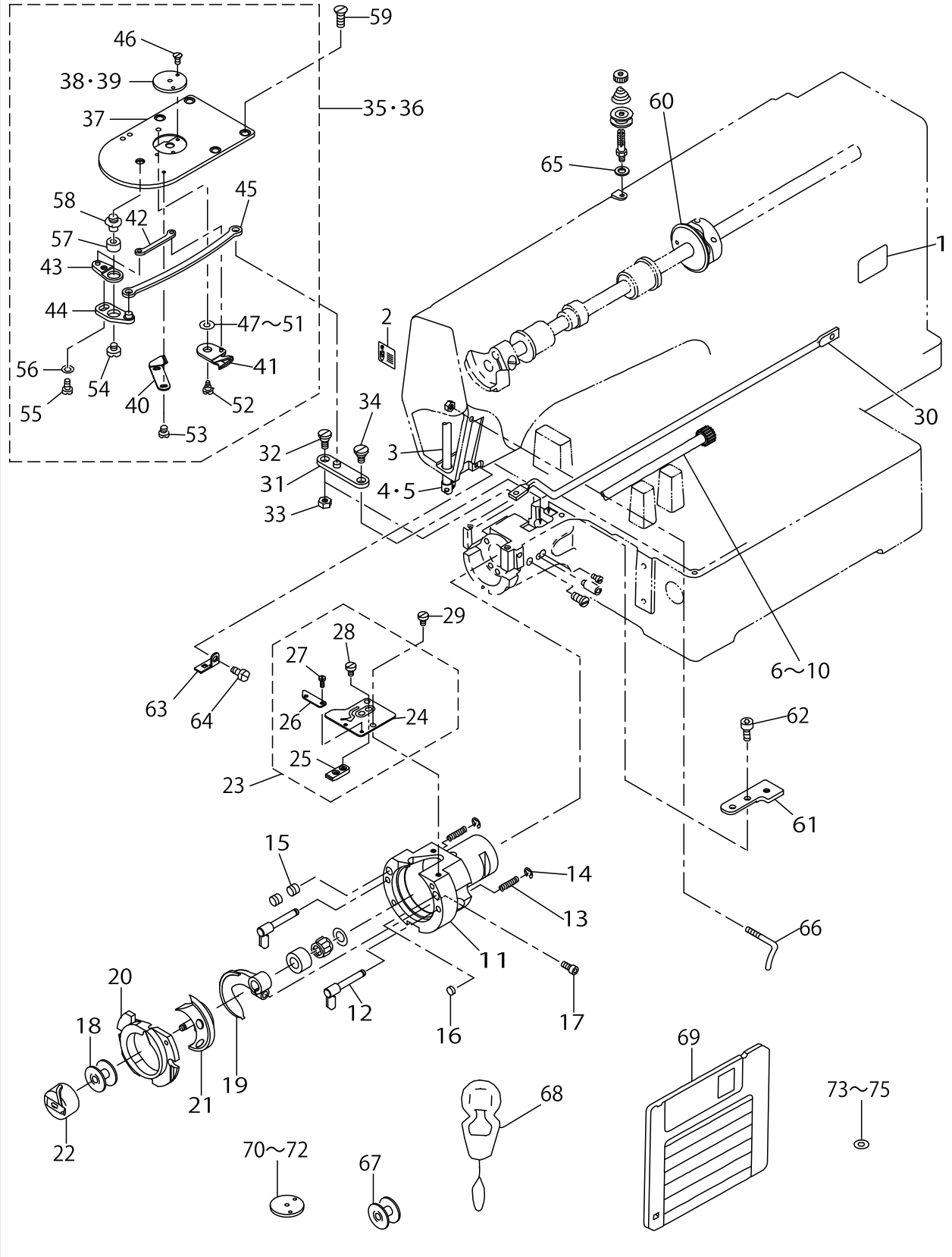


AMS-224P EXCLUSIVE PART COMPONENTS (1)

No.	Supply Code	Parts No.	Replacement	Parts name	Remarks	Choice	Step	Level	Cons	Qty	Rep. QTY
1		B1114223P00		MODEL NAME PLATE						1	
2		B1191215P00		NEEDLE SETTING LABEL						1	
3		B1401215P00		NEEDLE BAR						1	
4		B1405215P00		THREAD GUIDE A						1	
5		B1406215P00		THREAD GUIDE H	FOR HEAVY-WEIGHT MATERIAL					1	
6		B1811223PAA		SHUTTLE DRIVING SHAFT ASM.(A)	SELECTIVE PARTS					1	
7		B1811223PAB		SHUTTLE DRIVING SHAFT ASM.(B)	SELECTIVE PARTS					1	
8		B1811223PAC		SHUTTLE DRIVING SHAFT ASM.(C)	SELECTIVE PARTS					1	
9		B1811223PAY		SHUTTLE DRIVING SHAFT ASM.(Y)	SELECTIVE PARTS					1	
10		B1811223PAZ		SHUTTLE DRIVING SHAFT ASM.(Z)	SELECTIVE PARTS					1	
11		B1814215P00		SHUTTLE						1	
12	R	B1820215PA0A	26501858	INNER HOOK PRESSER ASM.						2	1.00
13		B1822215P00		INNER HOOK PRESSER SPRING						2	
14		RE0300000K0		E-RING 3						2	
15		B1226552000		ROLLER FELT						2	
16		13529607		SHUTTLE PACKING						1	
17		SS6121212TP		SCREW 3/16-28 L=12.0						1	
18		B1805215P00		BOBBIN						1	
19		B1812215P00		SHUTTLE DRIVER						1	
20		B1817215PA0		SHUTTLE RACE RING ASM.						1	
21		B1818215P00		SHUTTLE						1	
22		B1828215PA0		BOBBIN CASE ASM.						1	
23		B1815215PA0		SHUTTLE UPPER SPRING ASM.						1	
24	D	B1815215P00		SHUTTLE UPPER SPRING				*		1	
25		B1840215P00		LOOP RECEIVING PLATE				*		1	
26	R	B1841215P00	B1815215PA0	LOWER THREAD HOLDER				*		1	1.00
27		SS6060220SP		SCREW 3/32-56 L= 2.0				*		2	
28		SS6090420SP		SCREW 9/64-40 L= 4.0				*		2	
29		SS6090420SP		SCREW 9/64-40 L= 4.0				*		2	
30		B2413223P00		KNIFE DRIVING BAR						1	
31		B2430215PA0		CONNECTING ARM ASM.						1	
32		SD0640326TP		HINGE SCREW						1	
33		NS6110310SP		NUT 11/64-40						1	
34		SD0640326TP		HINGE SCREW						1	
35		B2425215PA0		NEEDLE PLATE ASM.						1	
36		B2425215PAB		NEEDLE PLATE ASM., H	FOR HEAVY-WEIGHT MATERIAL					1	
37		B2425215P00		NEEDLE PLATE				*		1	
38		B2426215P0A		NEEDLE HOLE GUIDE D=1.6				*		1	
39		B2426215P0B		NEEDLE HOLE GUIDE D=2.0	FOR HEAVY-WEIGHT MATERIAL			*		1	
40		B2424215P00		COUNTER KNIFE				*		1	
41		B2421215PA0		MOVING KNIFE ASM.				*		1	
42	D	B2418215P00		MOVING KNIFE LINK				*		1	
43		B2415215PA0		TRIMMING LEVER ASM. (SMALL)				*		1	

AMS-224P EXCLUSIVE PART COMPONENTS (1)

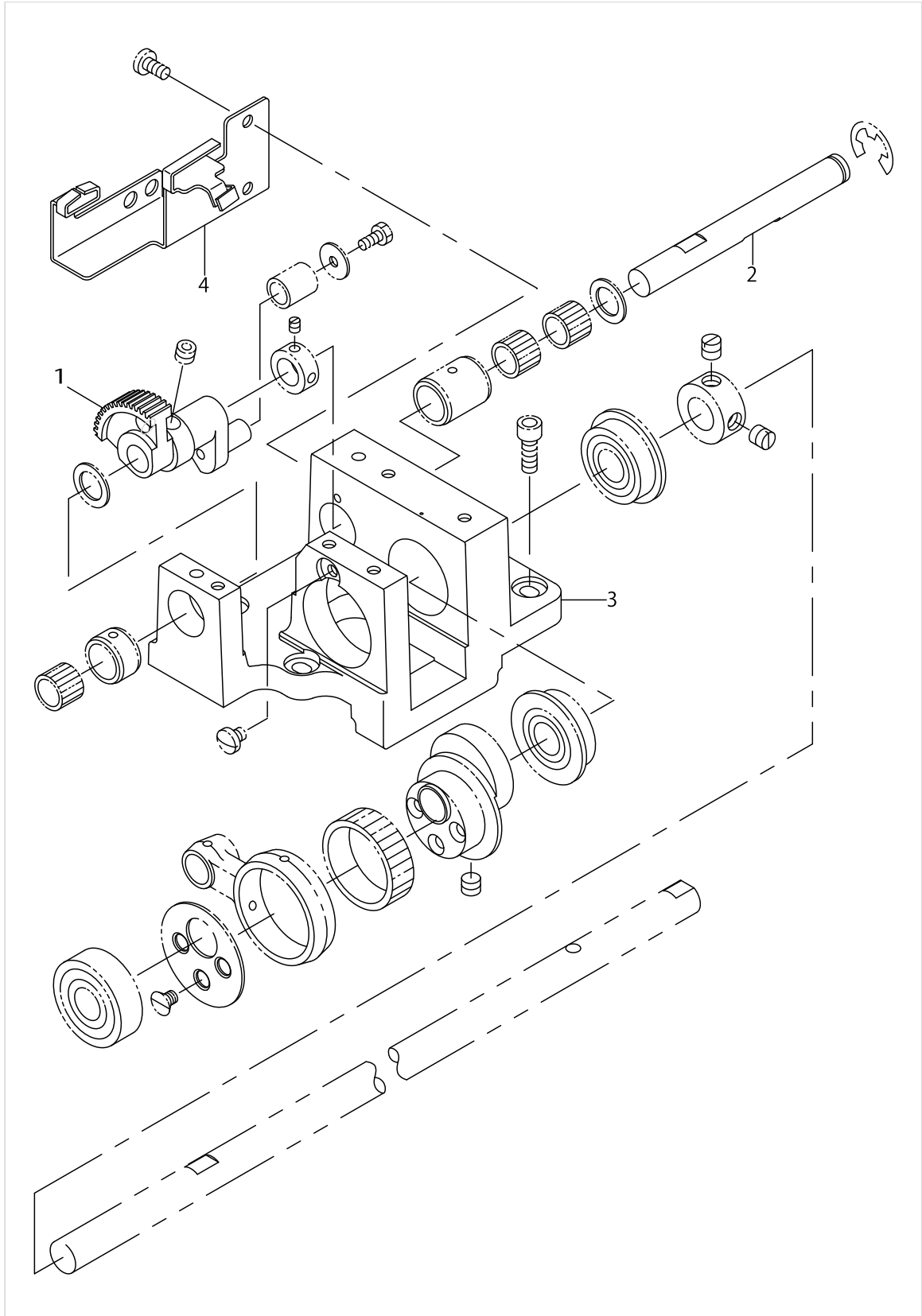
(Caution) Please understand that the specifications of the current AMS-224C cannot be modified to those of the AMS-224P.
 (注意) 現行のAMS-224CからAMS-224Pへ改造による仕様変更はできません。ご了承ください。



AMS-224P EXCLUSIVE PART COMPONENTS (1)

No.	Supply Code	Parts No.	Replacement	Parts name	Remarks	Choice	Step	Level	Cons	Qty	Rep. QTY
44		B2414215PA0		MOVING KNIFE DRIVING LEVER ASM				*		1	
45		B2432215P00		THREAD TRIMMING ROD				*		1	
46		SS1060210TP		SCREW 3/32-56 L=2.2				*		2	
47		B242328000C		MOVING KNIFE WASHER C	SELECTIVE PARTS			*		1	
48		B242328000D		MOVING KNIFE WASHER D	SELECTIVE PARTS			*		1	
49		B242328000E		MOVING KNIFE WASHER E	SELECTIVE PARTS			*		1	
50		B242328000F		MOVING KNIFE WASHER F	SELECTIVE PARTS			*		1	
51		B242328000G		MOVING KNIFE WASHER G	SELECTIVE PARTS			*		1	
52		B2417210000		MOVING KNIFE HINGE SCREW				*		1	
53		SS7060310SP		SCREW 3/32-56 L=3				*		2	
54		SS6110430TP		SCREW 11/64-40 L= 4.0				*		1	
55		SS7110740TP		SCREW 11/64-40 L=7				*		1	
56		WP0450846SP		WASHER				*		1	
57		B2416280000		THREAD CUTTING LEVER RING				*		1	
58		B2417280000		THREAD CUTTER LEVER SHAFT				*		1	
59		SS1110640TP		SCREW 11/64-40 L= 5.5						4	
60	D	B2401215P00		THREAD TRIMMING CAM						1	
61		B2431215P00		CONNECTING BASE						1	
62		SS6111052TP		SCREW						2	
63		B1129210000		FRAME THREAD GUIDE (B)						1	
64		SS7110840SP		SCREW 11/64-40 L=7.8						1	
65		WP0641600SC		WASHEW6.4X12.5X1.6						1	
66		B1125215P00		L-SHAPED THREAD GUIDE						1	
67		B1805215P00		BOBBIN	ACCESSO- RIE PARTS FOR AMS-224P					1	
68		B9107761000		THREAD PASSING INSTRUMENT	ACCESSO- RIE PARTS FOR AMS-224P					1	
69		M890252200P		SERVICE DISK	ACCESSO- RIE PARTS FOR AMS-224P					1	
70		B2426215P0C		NEEDLE HOLE GUIDE D=2.4	OPTIONAL PARTS FOR AMS-224P					1	
71		B2426215P0D		NEEDLE HOLE GUIDE D=3.0	OPTIONAL PARTS FOR AMS-224P					1	
72		B2426215P0E		NEEDLE HOLE GUID- E D=3.0 C.BORE	OPTIONAL PARTS FOR AMS-224P					1	
73		B242328000D		MOVING KNIFE WASHER D	ACCESSO- RIE PARTS FOR AMS-224P			*		1	
74		B242328000F		MOVING KNIFE WASHER F	ACCESSO- RIE PARTS FOR AMS-224P			*		1	
75		B242328000G		MOVING KNIFE WASHER G	ACCESSO- RIE PARTS FOR AMS-224P			*		1	

AMS-224P EXCLUSIVE PART COMPONENTS (2)



AMS-224P EXCLUSIVE PART COMPONENTS (2)

No.	Supply Code	Parts No.	Replacement	Parts name	Remarks	Choice	Step	Level	Cons	Qty	Rep. QTY
1	D	B1805223P00		OSCILLATOR						1	
2		B1836223P00		OSCILLATING SHAFT						1	
3		B1838223P00		GEAR BOX						1	
4		B3531223P00		OIL FELT SUPPORTING PLATE						1	

LIST FOR INFORMATION OF CHANGE (1)

As to the place changed, refer to the corresponding Rev.No.
 When previous parts(Obsoleted part)and new parts(Added parts)are
 not interchangeable with each other:
 In this case,even obsoleted parts(D.)can be ordered with the
 obsoleted part number,so select the parts with changed dates and
 place your orders.

変更箇所は、該当Rev.No.版をご参照ください。
 部品の互換性がない変更の場合は、削除された品番でも、ご注文できます。

29194305
 No.1123-02 Rev.No.

*A:Added parts追加部品/D:Obsoleted parts削除部品/E:Erratum訂正

* Rev. No.	Page 頁	Ref. No.	Parts No. 品番	* Rev. No.	Page 頁	Ref. No.	Parts No. 品番
D 01	2	51	B1405-012-000	A 02	2	51	229-01409
D 01	4	15	SS-3090610-SP	A 02	4	15	SS-6090630-TP
D 01	4	21	138-16608	A 02	4	21	262-11607
D 01	8	71	111-11309	A 02	8	71	229-56809
				A 02	10	25	229-07554
D 01	10	26	110-71602	A 02	10	26	229-07505
D 01	10	27	110-71701	A 02	10	27	229-07604
D 01	12	22	B1819-280-000	A 02	12	22	262-22208
D 01	12	23	B1820-280-000	A 02	12	23	262-22307
D 01	12	24	B1821-280-000	A 02	12	24	262-22406
D 01	12	38	135-08809	A 02	12	38	262-21101
D 01	12	39	135-08908	A 02	12	39	262-21200
D 01	14	22	B2714-761-000	A 02	14	22	262-12308
D 01	18	10	B2714-761-000	A 02	18	10	262-12308
D 01	18	12	135-13205	A 02	18	12	265-01304
				A 02	24	85	HX-0023300-0B
D 01	26	3	B1419-026-000	A 02	26	3	262-30706
D 01	26	23	SS-7110710-SP	A 02	26	23	SS-4110715-SP
D 01	26	24	SS-7110710-SP	A 02	26	24	SS-4110715-SP
D 01	26	26	SS-7110710-SP	A 02	26	26	SS-4110715-SP
D 01	26	29	B3505-280-000	A 02	26	29	262-31100
D 01	28	21	SL-4040881-SC	A 02	28	21	SL-4041091-SC
D 01	32	43	EA-9502B04-00				
D 01	32	46	SL-4040891-SC				
D 01	32	51	WP-0561616-SC				
				A 02	32	43	HX-0015000-0J
				A 02	32	46	HX-0015000-0K
				A 02	32	51	EA-9502B02-00
				A 02	32	57	SL-4041091-SC
				A 02	32	58	HX-0006500-0A
				A 02	32	59	EA-9500B02-00
D 01	34	1	111-85055	A 02	34	1	229-30358
				A 02	44	44	291-46800
				A 02	44	45	291-56502
				A 02	44	46	291-56809
				A 02	44	47	291-94008

HOW TO MAKE USE OF THIS PARTS LIST

1.Explanation of codes

1)"*"mark.....means this part is changed from the previous parts book.

As to the details of the change, refer to the "List for information of change".

2)"#01".....refer to "Note" explanation at bottom of page.

2.Codes on the "Qty" column

• Each numeral indicates the number of parts required.

• "0.1" and "2.5" indicate the length (in meters) of the respective parts.

3.Parentheses mean that the corresponding part is a subpart that constructs an assembly part.

4.Dotted lines on the Figures indicate assembly parts.

1."注記"欄の記号説明

1) "*"印.....前回のパーツブックに比較して今回変更された部品を意味します。

変更内容は、"変更情報リスト"を参照してください。

2) "#01".....ページ下の"注記"の説明を参照してください。

2.数量欄の数字は、個数を表し、0.1、2.5等の数値は、長さ（単位メートル）を表します。

3.数量欄の（ ）は、組部品を構成している子部品であることを意味します。

4.イラストページの-----枠は、組構成であることを意味します。

NUMERICAL INDEX OF PARTS

PART NO	PAGE	REF NO.	PART NO	PAGE	REF NO.	PART NO	PAGE	REF NO.
10102259	72	13	26222406	22	24	B1132223C00	12	8
10129104	6	39	26230706	46	3	B1132521000	6	40
10502300	2	24	26231100	46	29	B1142223C00	2	34
13508700	22	37	26501304	32	12	B1143210000	6	43
13512405	24	25·72	29145505	4	50	B1143223C00	2	35
13513304	32	13	29146800	72	44~53	B1145210000	6	38
13525506	72	11	29150000	74	44~53	B1153223C00	10	3
13529607	46	28	29156502	72	44~53	B1154223C00	10	4
13529607	80	16	29156601	74	44~53	B1155223C00	10	5
13551205	72	33	29156700	74	44~53	B1156223C00	10	6
13551254	72	30	29156809	72	44~53	B1157215000	10	7
13710850	28	55	29156908	74	44~53	B1158224C00	38	80
13710900	28	56	29194008	74	44~53	B1159223C00	12	9
13711007	28	57	29194107	74	44~53	B1170224C00	12	10
13786306	6	33	29194206	74	44~53	B1170224C00	72	6
13816855	22	40	B1104223C00	2	2	B1170224C00	78	49
13817408	30	8	B1104223CA0	2	1	B1178191000	2	36
13817457	30	1·2	B110522000A	2	25	B1180223C00	10	9
13943204	72	39	B1107223C00	2	26	B1181224C00	10	10
17845009	66	29	B1108224C00	10	1	B1182223C00	10	12
20243200	54	29	B1109223C00	2	27	B1183224C00	10	13
22901409	4	51	B1111220000A	12	1	B1187224CA0	10	18
22907505	18	26	B1111232000	6	1	B1188224CA0	10	2
22907554	18	25	B1112224C00	12	2	B1189224C00	10	16
22907604	18	27	B1113223C00	12	3	B1191215P00	80	2
22930309	58	14	B1114223P00	80	1	B1193223C00	10	11
22930358	58	1	B1115220000	12	5	B1198229000	10	15
22930408	58	10	B1115232000	6	5	B1201223C00	14	1
22930507	58	9	B11152320A0	6	2	B1202210000	14	5
22930705	58	7	B1117220000	2	28	B1203223C00	14	7
22930804	58	5	B1120223C00	12	6	B12042100A0	14	6
22930903	58	4	B1121223C00	12	4	B12052100AA	14	12
22931000	58	3	B1121223C0A	12	7	B12052100BA	14	11
22931109	58	2	B112222000B	2	29	B1206210A00	16	53
22931208	58	15	B112322000B	2	30	B12082100A0	14	14
22931307	58	11	B1123280000	6	7	B12092200A0	14	2
22931406	58	8	B1124220000	2	31	B1211980000	16	54
22956809	16	71	B1125215P00	6	8	B1212223C00	16	55
26211607	6	21	B1125215P00	82	66	B1213223C00	16	56
26212308	26	22	B1125220000	2	32	B1214223C00	16	57
26212308	32	10	B1126552000	6	9	B1215223C00	16	58
26221101	22	38	B112821000B	2	33	B1223771000	14	41
26221200	22	39	B1129210000	6	10	B1226552000	80	15
26222208	22	22	B1129210000	82	63	B1401210000	14	18·79
26222307	22	23	B1131528000	72	12	B1401210A00	16	18·79

NUMERICAL INDEX OF PARTS

PART NO	PAGE	REF NO.	PART NO	PAGE	REF NO.	PART NO	PAGE	REF NO.
B1401215P00	80	3	B160122000G	76	1·6·8·48	B1805210A00	24	9·73·79
B1402280000	14	19	B160122000H	18	1·50	B1805210A00	72	25~27
B1403280000	14	22	B160122000H	78	1·6·8·48	B1805215P00	80	67
B1404280000	14	26	B16012200A0	76	7	B1805215P00	82	67
B1405210000	14	20	B1602220000	18	2	B1805223C00	26	1
B1405215P00	80	4·5	B1603220000	18	3	B1805223P00	84	1
B1406210000	16	73	B1604220000	18	4	B1808980000	22	10
B1406215P00	80	4·5	B1605220000	18	5	B1811059A00	16	60
B1407210000	14	25	B1606155000	16	59	B1811059B00	16	61
B14115520A0	14	23	B1606220000	18	6	B1811223CAA	22	11~15
B1411804A00	14	34~37	B1608220000	18	7	B1811223CAB	22	11~15
B1411804A00	22	1~4	B1609220000	18	8	B1811223CAC	22	11~15
B1411804B00	14	34~37	B1610220000	18	9	B1811223CAY	22	11~15
B1411804B00	22	1~4	B1611224000	18	10	B1811223CAZ	22	11~15
B1411804C00	14	34~37	B1612215000	20	52	B1811223PAA	80	6~10
B1411804C00	22	1~4	B1612220000	18	11	B1811223PAB	80	6~10
B1411804D00	14	34~37	B1613220000	18	12	B1811223PAC	80	6~10
B1411804D00	22	1~4	B1614220000	18	13	B1811223PAY	80	6~10
B1414232000	14	21	B1615224000	18	14	B1811223PAZ	80	6~10
B1426352A00	26	35~39	B1616220000	18	15	B1812205000	22	16·74
B1426352B00	26	35~39	B1620224000	18	16	B1812210000	24	16·74
B1426352C00	26	35~39	B1621224000	18	17	B1812215P00	80	19
B1426352D00	26	35~39	B16222240A0	18	18	B1813980000	22	17
B1426352E00	26	35~39	B1625220000	42	76	B1814215000	22	18
B1430180A00	22	5~8	B1625220000	44	76	B1814215P00	80	11
B1430180A00	26	17~20	B1625224000	18	22	B1815210000	24	19·75
B1430180B00	22	5~8	B1626215000	20	53	B1815210A00	78	58
B1430180B00	26	17~20	B1626220000	42	77	B1815215P00	80	24
B1430180C00	22	5~8	B1626220000	44	77	B1815215PA0	80	23
B1430180C00	26	17~20	B1626850000	72	4	B1815980000	22	19·75
B1430180D00	22	5~8	B1627220000	18	19	B1816280000	38	84
B1430180D00	26	17~20	B1628220000	18	20	B1816280000	42	32
B1502224C00	6	25	B1629224000	18	44	B18172050A0	22	20·76
B1503223C00	6	27	B1634210000	20	61	B18172050A0	78	52·53
B1504210000	42	4	B1637560000	26	26	B18172050AB	78	52·53
B1504224C00	6	37	B1641215000	20	54	B18172100A0	78	54~56
B1506352000	72	42	B1642215000	20	55	B18172100AB	24	20·76
B151902600G	38	83	B1644215000	20	56	B18172100AB	78	54~56
B1601220000	76	1·6·8·48	B1645215000	20	57	B18172100AC	78	54~56
B160122000B	76	1·6·8·48	B1646223C00	20	51	B1817215PA0	80	20
B160122000C	76	2	B1649161000	6	23	B1818205000	22	21·71·77
B160122000D	76	3	B1805205000	22	9·73·79	B1818205A0B	24	21·71·77
B160122000E	76	4	B1805205000	72	25~27	B1818210000	24	21·71·77
B160122000F	76	5	B180520500B	24	9·73·79	B1818215P00	80	21
B160122000G	20	1·50	B180520500B	72	25~27	B1820215PA0A	80	12

NUMERICAL INDEX OF PARTS

PART NO	PAGE	REF NO.	PART NO	PAGE	REF NO.	PART NO	PAGE	REF NO.
B1822215P00	80	13	B2301210000	32	7	B2417210000	82	52
B1823280000	22	25·72	B23012100A0	32	6	B2417280000	24	59
B18282050A0	22	26·78·80	B23022050AA	30	1·2	B2417280000	82	58
B18282050AA	24	26·78·80	B2302210000	32	8	B2418215P00	80	42
B18282100A0	24	26·78·80	B2302280000	30	4	B2418280000	24	52
B1828215PA0	80	22	B2303280000	30	15	B2419280000	24	57
B1832223C00	26	2	B2304205000	44	75	B2420280000	24	58
B1833223C00	26	3	B23042200A0	32	1	B24212050A0	24	50·51
B1834223C00	26	4	B2305205000	30	11·12	B2421210AA0	24	50·51
B1835223C00	26	5	B2305210000	32	5	B2421215PA0	80	41
B1836223C00	26	6	B2306220000	32	2	B242328000A	24	60~62
B1836223P00	84	2	B2307220000	32	3	B242328000B	24	60~62
B1837223C00	26	7	B2308223C00	32	4	B242328000C	24	60~62
B1838223C00	26	8	B2310220000	32	21	B242328000C	82	47~51
B1838223P00	84	3	B2311220000	32	22	B242328000D	82	73~75
B1839223C00	26	9	B2312210A00	16	47·75	B242328000E	82	47~51
B1840215P00	80	25	B2312220000	16	47·75	B242328000F	82	73~75
B1840223C00	26	21	B2313280000	30	3	B242328000G	82	73~75
B1841215P00	80	26	B23162150A0	78	50	B2424210000	24	48·49
B1844223C00	26	10	B2401205000	16	49	B2424210A00	24	48·49
B1845223C0A	26	11~13	B2401215P00	82	60	B2424215P00	80	40
B1845223C0B	26	11~13	B2402220000	32	20	B2425215000	24	44
B1845223C0C	26	11~13	B2403223C00	32	23	B24252150A0	22	41~43
B1847223C00	22	27	B2404220000	32	28	B24252150AB	22	41~43
B1848223C00	26	15	B2405210000	32	30	B24252150AC	24	41~43
B1849223C00	26	16	B2406210000	32	31	B2425215P00	80	37
B1850223C00	28	63	B2407223C00	32	32	B2425215PA0	80	35·36
B185351200E	44	80	B2408210000	32	44	B2425215PAB	80	35·36
B19012100A0	14	27	B2409210000	32	42	B242621000A	24	45~47
B19012100B0	14	24	B2410220000	32	41	B242621000A	76	36~42
B1903210000	14	28	B24102200A0	32	40	B242621000B	24	45~47
B1903552000	14	29	B2411210000	32	33	B242621000B	76	36~42
B1904280000	14	40	B2412220000	32	18	B242621000C	76	36~42
B1905541A00	14	30~33	B2413223C00	32	29	B242621000D	76	36~42
B1905541B00	14	30~33	B2413223P00	80	30	B242621000F	24	45~47
B1905541C00	14	30~33	B2414210000	32	45	B242621000F	76	36~42
B1905541D00	14	30~33	B2414215PA0	82	44	B242621000G	72	29
B2101220000	30	33	B2414280000	24	56	B242621000G	76	36~42
B21012200A0	30	18	B2415210000	32	46	B242621000H	76	36~42
B2102205000	30	22	B2415215PA0	80	43	B2426215P0A	80	38·39
B2103220000	30	34	B24152800A0	24	54·55	B2426215P0B	80	38·39
B2104220000	30	19	B2416210000	24	54·55	B2426215P0C	82	70~72
B2106220000	30	20	B2416280000	24	53	B2426215P0D	82	70~72
B2107210000	30	21	B2416280000	82	57	B2426215P0E	82	70~72
B21202150A0	78	57	B2417210000	24	67·68	B2430215PA0	80	31

NUMERICAL INDEX OF PARTS

PART NO	PAGE	REF NO.	PART NO	PAGE	REF NO.	PART NO	PAGE	REF NO.
B2431215000	6	22	B2544223C00	36	27	B2621223C00	76	20
B2431215000	26	14	B2545223C00	36	28	B2622223C00	76	21
B2431215P00	82	61	B2547223C00	36	29	B2623223C00	76	22
B2432215P00	82	45	B2548215000	44	83	B2626223C00	76	23
B2504223C00	36	1	B2548223C00	36	30	B26302150A0	76	25
B2505223C00	36	2	B2549223C00	36	31	B2630215AA0	76	24
B2506223C00	36	3	B2550224C00	42	2	B26402150A0	76	27
B2507223C00	36	4	B2552224C00	42	45	B26402150B0	76	26
B2509224000	36	5	B2553224C00	42	37	B2640215AA0	76	28
B2509372000A	42	7	B2555224C00	38	81	B26412150A0	76	34
B2512224C00	36	6	B2556224C00	42	1	B26432150A0	76	29
B2513223C00	36	7	B2556224C0A	76	9	B2645215000	76	33
B2513224000	36	8	B2557224C00	72	1	B2646215000	76	17
B2514215000	44	65	B2560220000	44	52	B2702210000	30	16
B2514223C00	36	9	B2561220000	44	51	B2703210000	50	31
B2515223C00	36	10	B2562220000	44	48	B2727761000	32	11
B2515224000	36	11	B2564223C00	72	10	B3012490000	44	82
B2516215000	44	79	B2567223C00	42	22	B3012816000	44	73
B2517223C00	40	12	B2567223CA0	42	21	B3051816000	26	23
B2518215000	44	69	B2568223C00	6	35	B3107804000	30	7
B2518215A00	44	71	B2568224C00	42	39	B3112761000	30	5·6
B2518223C00	36	13	B2569229000	42	27	B3114232000	30	11·12
B2518223C0A	36	12	B2570215000	42	16	B3114771000	6	11
B2519224C00	36	14	B2571215000	42	17	B3120125000	30	9
B2520224C00	36	15	B2572229000	76	11	B3120372000	72	35
B2523223C00	36	16	B2574220000	42	5	B3121372000	72	41
B2525223C00	40	1	B2576220000	42	6	B3123352000	6	4
B2526223C00	40	2	B25792290A0	44	57	B3125012000	6	6
B2527215000	44	70	B2581224CA0	76	18	B3126012000	6	3
B2527223C00	36	17	B2582224C00	76	12	B3126012000	30	10
B2528215000	44	63	B2582224CA0	76	10	B3132552000	30	13
B2528223C00	36	18	B2583224C00	76	13	B32012100A0	2	3
B2529223CA0	40	4	B2584224C00	76	14	B3203210000	2	4
B2529223CAA	40	3	B2587220000	76	43	B3204210000	2	5
B2530215000	44	55	B2588220000	76	44	B3205210000	2	6
B2531223C00	40	5	B2589223C00	76	16	B3206210000	2	7
B2534223C00	36	19	B2591220000	72	9	B3207210000	2	8
B2535210000	72	28	B259522000A	78	45~47	B3208210000	2	9
B2536223C00	36	21	B259522000B	78	45~47	B3208280000	2	10
B2536223C0A	36	20	B259522000C	78	45~47	B3209210000	2	11
B2539223C00	36	22	B2611223C00	42	25	B3210210000	2	12
B2540224C00	36	23	B2611223CA0	42	24	B3211210000	2	13
B2541224C00	36	24	B2613223C00	42	19	B3212210000	2	14
B2542223C00	36	25	B2613223CA0	42	18	B3212761000	2	15
B2543224C00	36	26	B2620223C00	76	19	B3213205000	14	38

NUMERICAL INDEX OF PARTS

PART NO	PAGE	REF NO.	PART NO	PAGE	REF NO.	PART NO	PAGE	REF NO.
B322877100B	20	58	B471122000G	42	13	BP600000000	46	7
B3501210000	46	15	B471122000G	52	12	BT0400251EB	18	24
B3502220000	46	1	B471122000H	42	14	BT0400251EB	42	59
B3504220000	46	9	B471122000H	52	9	BT0400251EB	44	59
B3504280000	46	30	B47122150A0	52	5	BT0600401EB	52	26
B3507220000	46	11	B4712215AA0	52	6	CM300100001	60	24
B3507280000	46	6	B4715223CA0	52	13	CM300100101	60	23
B3508220000	46	12	B47162150A0	52	27	CM300200002	8	46·47
B3508280000	46	18	B4717223C00	52	32	CM3002000B2	6	46·47
B3509220000	46	2	B47202150B0	78	51	CM300200301	6	44·45
B3518210000	46	35	B5115210000	76	32	CM3002003A1	6	44·45
B3520220000	46	13	B5116210000	76	30	CM500100001	56	56
B3522223C00	46	37	B8102215A00	54	3	CQ202000000	46	4
B3523223C00	46	38	B8108220000	54	4	CQ252200000	46	10
B3524215000	46	32	B8109220000	54	5	CS0790731SH	44	67
B3527223C00	46	36	B8110223C00	54	36	CS080081FSH	22	28
B3528223C00	46	39	B8110223CA0	54	35	CS111101CSH	18	43
B3530223C00	46	40	B8111220000	54	37	CS120081ATN	26	24
B3531223C00	46	34	B8112220000	54	38	CS1201010SH	26	25
B3531223P00	84	4	B8116223C00	54	6	CS1201010SH	36	34
B3538112000	46	19	B8117223C00	54	30	CS1470710SH	16	51
B4002224C00	50	1	B8118223C00	54	31	CS147121ESH	14	10
B4005223C00	50	4	B8171223C00	54	32	CS1501011TH	36	35
B4006223C00	50	5	B8201223C0A	54	33	D1230555B0A	16	62~65
B4007223C00	50	6	B8201223C0B	54	34	D1230555B0B	16	62~65
B4008223C00	50	7	B8202205000	54	39	D1230555B0C	16	62~65
B4020224C00	50	8	B821021000B	56	52	D1230555B0D	16	62~65
B4021224C00	50	9	B821121000B	56	53	D1455055B00	18	28
B4022223C00	50	10	B8301223C00	54	7	D1456055B00	18	29
B4110223CA0	50	12	B8301223CA0	54	2	D1457055B00	18	30
B4110224CB0	50	11	B8302223C00	54	8	D2112555B00	46	8
B4120223C00	50	15	B8303223C00	54	9	D2430555B00	2	16
B4130224CA0	50	13	B8304223C00	54	10	D2430555B00	32	34
B4134814000	36	33	B8306223C00	54	11	D2522232D00	10	14
B4150223CA0	50	14	B8307220000	54	12	D3112L4BB00	30	5·6
B471122000A	20	45	B8308220000	54	13	D6043555B00	32	19
B471122000B	20	46	B8309223C00	54	14	E2678453000	52	23
B471122000C	42	11	B85325180A0	60	9	E9628252000	64	13
B471122000C	52	11	B8601WP10A0	72	16	EA9500B0100	50	16
B471122000D	42	12	B9101552000	72	17	EA9500B0100	52	21
B471122000D	52	10	B9107761000	82	68	EA9500B0100	62	1·20
B471122000E	44	60	B9121012000	54	41	EA9500B0200	56	59
B471122000E	52	7	B91212200A0	72	18	EA9502B0100	54	42
B471122000F	44	61	BP300000000	46	5	EA9502B0200	48	47
B471122000F	52	8	BP500000000	46	14	EA9502B0200	56	51

NUMERICAL INDEX OF PARTS

PART NO	PAGE	REF NO.	PART NO	PAGE	REF NO.	PART NO	PAGE	REF NO.
G5032164000	54	15	HX004150000	66	33~35	M90025220A0	66	22
G5430116000	52	16	M1001521000	64	5	M90035220A0	66	8
G6705152U0A	60	25	M1001522000	60	5	M90045220A0	66	24
G8124270000	52	14	M10015220A0	60	4	M90055220A0	66	25
GPK470010AB	70	3	M10025220A0	60	6	M90065220A0	66	6
HA001410000	62	7	M1003522000	64	10	M90075220A0	66	5
HC021801030	64	17	M1010510000	60	12	M90085210A0	66	10
HC025202210	64	20	M1011512000	60	11	M90085220A0	66	9
HC040002720	64	18	M1011518000	68	50	M90095210A0	66	11
HC041101020	64	19	M1074517000	62	9	M90095220A0	66	15~ 19-52
HD000570000	50	17	M1081518000	62	10	M9009522AA0	68	15~ 19-52
HD001350000	50	18	M1082518000	62	11	M90105210A0	66	12
HG003280000	62	4	M300451300G	62	12·13·21	M90115210A0	66	13
HG003290000	62	6	M30045180A0	62	12·13·21	M90125210A0	66	14
HK018800020	30	32	M3012518000	62	12·13·21	M90125220A0	66	7
HK034610040	52	20	M40071100AB	14	13	M90155220A0	66	15~ 19-52
HK034640000	52	22	M8502522CA0	66	26·27	M90165220A0	66	15~ 19-52
HK038450010	66	30	M8502522DA0	66	26·27	M90505170A0	62	8
HK045550080	66	31·51	M85035220A0	66	28	MAT80116S00	26	27
HL014530026	64	2	M85045220A0	60	8	MAXAP30EX00	72	8
HL014530027	64	3	M85055220A0	66	15~ 19-52	MC200501000	16	72
HM000630010	60	13	M8510522AA0A	60	1~3	MC200501002	72	19~24
HP000200200	30	31	M8510522BA0A	60	1~3	MC372001100	16	76
HT002570000	64	7	M8510522CA0A	60	1~3	MC372001102	72	19~24
HX00024000C	66	36	M8511512000	66	15~ 19-52	MC372001600	16	78
HX00065000A	56	58	M85315180A0	60	10	MC372001602	72	19~24
HX00114000B	60	15	M85415180A0	68	31·51	MDP170B1800	16	74
HX001180000	64	21	M85465120A0	66	21	MDP170B1802	72	19~24
HX001470000	66	33~35	M85515120A0	66	23	MDP170B2300	16	77
HX00150000J	54	43	M8570517AB0	62	1·2	MDP170B2302	72	19~24
HX00150000K	54	46	M8570517BB0	62	1·2	MDP500B1400	16	52
HX001530000	62	5	M85995120A0	70	2	MDP500B1402	72	19~24
HX001990000	64	11	M8601518EB0	64	1	MTJVM004700	70	6~10
HX002330000	42	38	M8601518EB0	66	1·32	MTJVM004800	70	6~10
HX00233000B	44	85	M86015220A0	64	16	MTJVM004900	70	6~10
HX002410000	64	22	M86015220A0	66	2·4·42	MTJVM005000	70	6~10
HX002890000	66	38	M8602522AA0	64	9	MTJVM005100	70	6~10
HX00307000C	62	18	M8602522AA0	66	3	MTSE8110702	70	4·5
HX00326000B	54	44	M86025290B0A	64	4	MTSE8110704	70	4·5
HX00337000B	64	14	M86025290B0A	66	2·4·42	NM6030001SC	62	17
HX00364000E	42	36	M8670510AA0	62	3	NM6040001SB	60	22
HX003840000	60	16	M8902522000	70	1	NM6040003SC	30	30
HX004070000	66	37	M890252200P	82	69			
HX004100000	60	14	M90015220A0	66	20			
HX004110000	50	19						

NUMERICAL INDEX OF PARTS

PART NO	PAGE	REF NO.	PART NO	PAGE	REF NO.	PART NO	PAGE	REF NO.
NM6040003SC	32	24	RE0300000K0	42	78	SL4030881SC	66	39
NM6050001SE	58	17	RE0300000K0	44	78	SL4030891SC	64	12
NM6050001SP	36	38	RE0300000K0	80	14	SL4030891SC	66	45
NM6080001SC	54	17	RE0320000K0	44	84	SL4030891SC	68	45
NM6120011SF	12	11	RE0600000K0	36	41	SL4031081SF	50	20
NM6160511SE	58	18	RE0900000KP	28	59	SL4031481SC	54	40
NS6090310SP	6	13	RO048190100	18	31	SL4040691SC	56	55
NS6110310SP	6	24	SB106000400	16	66	SL4040881SC	62	19
NS6110310SP	72	32	SB108000200	36	43	SL4040881SC	66	43
NS6110310SP	80	33	SB108000500	36	45	SL4040891SC	2	37
NS6110420SP	32	35	SB112000100	26	29	SL4040891SC	56	47
NS6110530SP	2	17	SB112000300	28	61	SL4040891SC	64	15
NS6110530SP	18	33	SB112000700	26	60	SL4041091SC	50	21
NS6120310SP	72	31	SB112000700	28	60	SL4041091SC	56	57
NS6120630SP	32	36	SB112000700	36	46	SL4041091SC	60	19
NS6150310SP	6	14	SB115000600	38	47	SL4041091SC	66	49
NS6150430SP	18	34	SB130000200	38	48	SL4041091SC	68	49
NS6150430SP	32	27	SB130000300	38	49	SL4041281SF	50	22
NS6280610SP	26	28	SB31000080A	26	31~34	SL4042091SC	68	47
PA1602509A0	42	9	SB31000080B	26	31~34	SL4042581SF	52	33
PA1602510A0	44	56	SB31000080C	26	31~34	SL4051241SE	56	54
PA1603003A0	18	21	SB31000080D	26	31~34	SL4061091SC	68	46
PB000010000	72	15	SB412000100	40	13	SL9061291SE	12	18
PC010508000	20	63	SD0380551SL	6	41	SL9082093SE	54	19
PC012401000	44	62	SD0500803TP	32	37	SM1044050SM	60	20
PC012401000	52	2	SD0530221SP	32	16	SM4030401SC	10	19
PF025208000	52	28	SD0550212TP	20	48	SM4040601SC	2	38
PF0552040B0	52	17	SD0550501SP	20	59	SM4051405SE	58	12
PF070501000	52	3	SD0600101TP	24	67·68	SM5051400SC	12	12
PJ030520001	52	18	SD0600352SP	30	25	SM6030602TP	38	50
PJ032052503	44	58	SD0601021SP	72	38	SM6031002TP	36	32
PJ032052503	52	4	SD0601051SP	16	67	SM6031402TP	38	51
PJ046052503	42	10	SD0640321SP	18	40	SM6040602TP	46	43
PJ304045203	52	29	SD0640321SP	30	27	SM6040802TP	38	53
PJ305065202	52	30	SD0640321SP	32	17	SM6040802TP	46	33
PJ309005203	52	15	SD0640321TP	18	49	SM6040802TP	50	30
PJ309520001	72	7	SD0640321TP	20	49	SM6041202TP	38	56
PS0150065KP	2	18	SD0640326TP	80	34	SM6051202TP	40	6
PS0150065KP	10	17	SD0650305TP	32	38	SM6051402TP	26	40
PS0150065KP	42	23	SD0720321TP	18	60	SM6051402TP	38	57
PS0200062KH	72	43	SD0720321TP	20	60	SM6051402TP	42	28
PS0250162KH	22	29	SD1100301TP	34	47	SM6051602TP	38	58
PS0400141KH	54	45	SL4030681SC	62	14	SM6052002TP	38	59
PV140501000	52	1	SL4030691SC	60	17	SM6052502TP	38	60
PX950009000	52	31	SL4030881SC	64	23	SM6060802TP	6	26

NUMERICAL INDEX OF PARTS

PART NO	PAGE	REF NO.	PART NO	PAGE	REF NO.	PART NO	PAGE	REF NO.
SM6060802TP	42	34	SS6090420SP	80	29	SS7110710SP	6	29
SM6061202TP	38	61	SS6090440SP	46	31	SS7110710SP	42	30
SM6061610SC	58	6	SS6090520SP	46	42	SS7110710SP	46	22
SM6062002TP	42	40	SS6090620SP	2	19	SS7110740TP	24	66
SM6082502TP	54	20	SS6090630TP	6	15	SS7110740TP	82	55
SM7030450SC	10	20	SS6090630TP	30	23	SS7110840SP	6	18
SM7040800SC	50	23	SS6090670TP	14	43	SS7110840SP	20	47
SM8050602TP	42	29	SS6092120SP	46	21	SS7110840SP	22	34
SM8050812TP	42	41	SS6110430TP	24	64	SS7110840SP	30	35
SM8060602TP	38	62	SS6110430TP	82	54	SS7110840SP	32	26
SM8060602TP	40	8	SS6110480SP	26	42	SS7110840SP	46	45
SM8061002TP	38	64	SS6110520TP	44	81	SS7110840SP	82	64
SM9041250SC	56	49	SS6110610TP	10	27	SS7111120TP	6	34
SM9051450SC	52	25	SS6110610TP	12	15	SS7111120TP	10	28
SM9122503SE	54	21	SS6110610TP	38	82	SS7111410TP	18	37
SM9124503SB	12	13	SS6111052TP	82	62	SS7111410TP	38	71
SS1060210TP	24	63	SS6111140SP	38	72	SS7151120SP	14	42
SS1060210TP	82	46	SS6111210SP	14	16	SS7151610SP	44	46
SS1110640TP	10	8	SS6111210SP	44	49	SS7661540SP	18	38
SS1110640TP	24	70	SS6121010SP	42	66	SS8090410SP	6	19
SS1110640TP	28	64	SS6121010SP	44	66	SS8090410SP	28	58
SS1110640TP	46	44	SS6121210SP	32	43	SS8090610SP	30	14
SS1110640TP	82	59	SS6121212TP	22	31	SS8110422TP	14	4
SS1110840SP	10	22	SS6121212TP	80	17	SS8110422TP	38	73
SS1110840SP	12	14	SS6121220TP	32	9	SS8110422TP	44	74
SS1110840SP	38	66	SS6150610SP	76	35	SS8110510SP	16	69
SS1110840SP	44	54	SS6150710SP	18	35	SS8110520TP	2	20
SS2110920TP	16	68	SS6151220SP	22	32	SS8110560SP	6	30
SS2110920TP	34	49	SS6151412TP	14	8	SS8111010TP	14	3
SS2111010TP	38	67	SS6151712TP	32	14	SS8111610SP	14	39
SS2111010TP	72	2	SS6151812TP	30	17	SS8150432TH	38	69
SS2621540SP	38	70	SS6153040SP	34	50	SS8151550SP	14	15
SS4090715SP	2	39	SS6621220SP	30	24	SS8660512TP	26	46
SS4110715SP	2	40	SS6681712TP	14	9	SS8660530TP	38	74
SS4110715SP	46	26	SS7060310SP	82	53	SS8660610TP	16	46
SS4110715SP	72	36	SS7080510TP	14	44	SS8660610TP	18	39
SS4110815SP	2	41	SS7090410SP	24	65	SS8660612TP	26	45
SS4110815SP	10	23	SS7090410SP	72	5	SS8660612TP	38	75
SS4110815SP	50	28	SS7090620TP	32	15	SS8661012TP	16	50
SS4110915SP	10	24	SS7090850SP	50	29	SS8661030SP	16	70
SS4111015SP	2	44	SS7090910SP	6	42	SS8661112TP	28	48
SS4120615SP	10	25	SS7090910SP	72	14	SS8661112TP	38	77
SS4150915SP	6	28	SS7091110SP	18	36	SS9090833TP	16	48
SS6060220SP	80	27	SS7110510SP	22	33	SS9090833TP	26	41
SS6060410TP	22	30	SS7110570SP	28	62	SS9110453TP	28	49

NUMERICAL INDEX OF PARTS

PART NO	PAGE	REF NO.	PART NO	PAGE	REF NO.
SS9110920CP	12	16	WP0612066SP	18	32
SS9111020TP	2	21	WP0621016SD	6	32
SS9121010TP	12	17	WP0621016SD	28	50
SS9151120CP	40	9	WP0621016SD	40	11
SS9151240SN	12	19	WP0621016SD	42	44
SS9661230CP	14	45	WP0641600SC	44	47
TA0750704R0	2	45	WP0641600SC	82	65
TA0850604R0	2	52	WP0650876SD	44	64
TA0850604R0	4	52	WP0650876SD	76	31
TA1050504R0	4	53	WP0651056SH	2	23
TA1250406R0	4	54	WP0740516SP	72	40
TA1470704R0	6	31	WP0820816SD	44	72
TA2100904R0	4	55	WP0841601SC	12	22
WP0320500SC	62	16	WP0841601SC	54	23
WP0320500SD	38	68	WP0871602SE	54	50
WP0320501SD	36	36	WP0871602SE	56	50
WP0330501SB	10	29	WP0952616SD	22	36
WP0371016SD	30	28	WP1221016SP	28	51
WP0430800SC	20	62	WP1252210SC	28	52
WP0430801SC	2	46	WP1302501SC	54	25
WP0450000SD	4	56	WP1302501SE	12	23
WP0450000SD	10	30	WP1612616SE	58	19
WP0450000SD	44	50	WP1702616SE	54	26
WP0450000SD	46	27	WS0410002KN	60	21
WP0450000SD	72	3	WS0510002KN	58	16
WP0450801SD	4	49	WS0861410KR	54	27
WP0450801SD	6	36	WS1253010KN	12	24
WP0450801SD	10	26	WS1253010KN	54	28
WP0450801SD	14	17	WS1643202KR	58	20
WP0450801SD	38	76	WT0430002KN	4	48
WP0450801SD	46	25	WZ1250300K0	28	54
WP0450801SD	50	3	WZ1250300K0	38	79
WP0450801SD	72	37	WZ1590390KP	36	42
WP0450846SP	24	69			
WP0450846SP	82	56			
WP0501016SD	32	39			
WP0501016SD	42	43			
WP0520656SA	12	21			
WP0531000SC	52	24			
WP0531000SD	22	35			
WP0531000SD	40	10			
WP0550800SP	38	78			
WP0550800SP	46	46			
WP0561616SC	30	29			
WP0611626SP	42	35			