

MODEL : FLS-351N

List No : 1118-01

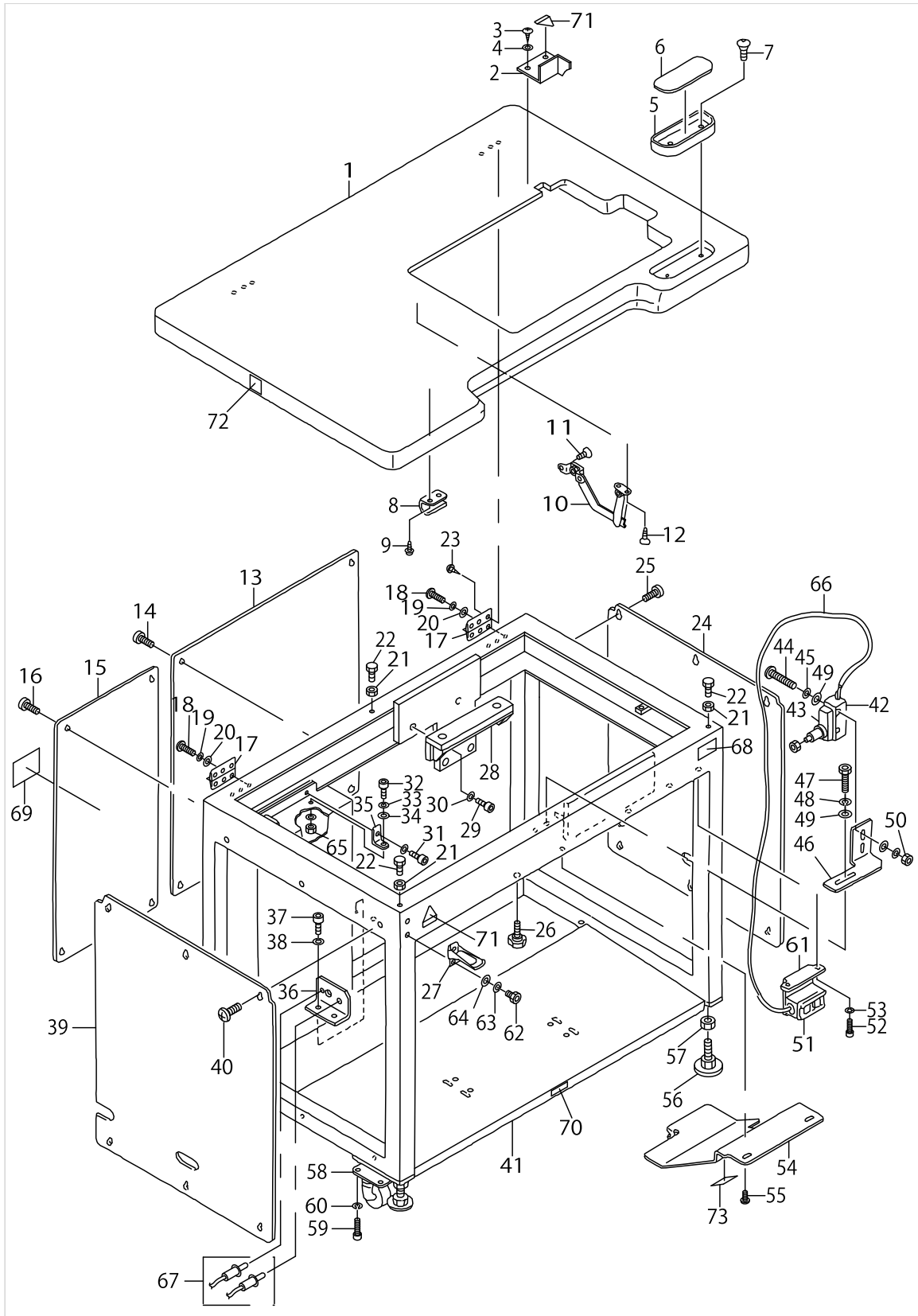
PARTS LIST

Published:05/12/2017

CONTENTS

FRAME & COVER COMPONENTS.....	1
GEAR BOX FRAME COMPONENTS(1).....	5
GEAR BOX FRAME COMPONENTS(2).....	9
HANDLE & MOTOR COMPONENTS.....	11
LEET,RIGHT LOOPER COMPONENTS.....	15
THREAD STAND COMPONENTS.....	19
THREADING COMPONENTS.....	21
UPPER NEEDLE BAR COMPONENTS.....	23
LOWER NEEDLE BAR COMPONENTS.....	27
DRUM COMPONENTS.....	31
CYLINDRICAL CAM SHAFT COMPONENTS.....	33
LOWER LOOPER COMPONENTS.....	37
HOOK & NEEDLE GRASP COMPONENTS.....	39
HOOK COMPONENTS.....	41
KNEE PRESS LIFTER & KOBA RULER COMPONENTS.....	43
PRESSER FOOT COMPONENTS.....	45
LOWER FEED COMPONENTS.....	49
INTERMEDIATE PLATE &FEED CHANGE MOTOR COMPONENTS.....	53
FEED CONNECTING COMPONENTS.....	55
TRANSMISSION COMPONENTS(1).....	57
TRANSMISSION COMPONENTS(2).....	59
TRANSMISSION COMPONENTS(3).....	61
ACCESSORIES COMPONENTS.....	63
HOW TO MAKE USE OF THIS PARTS LIST.....	65

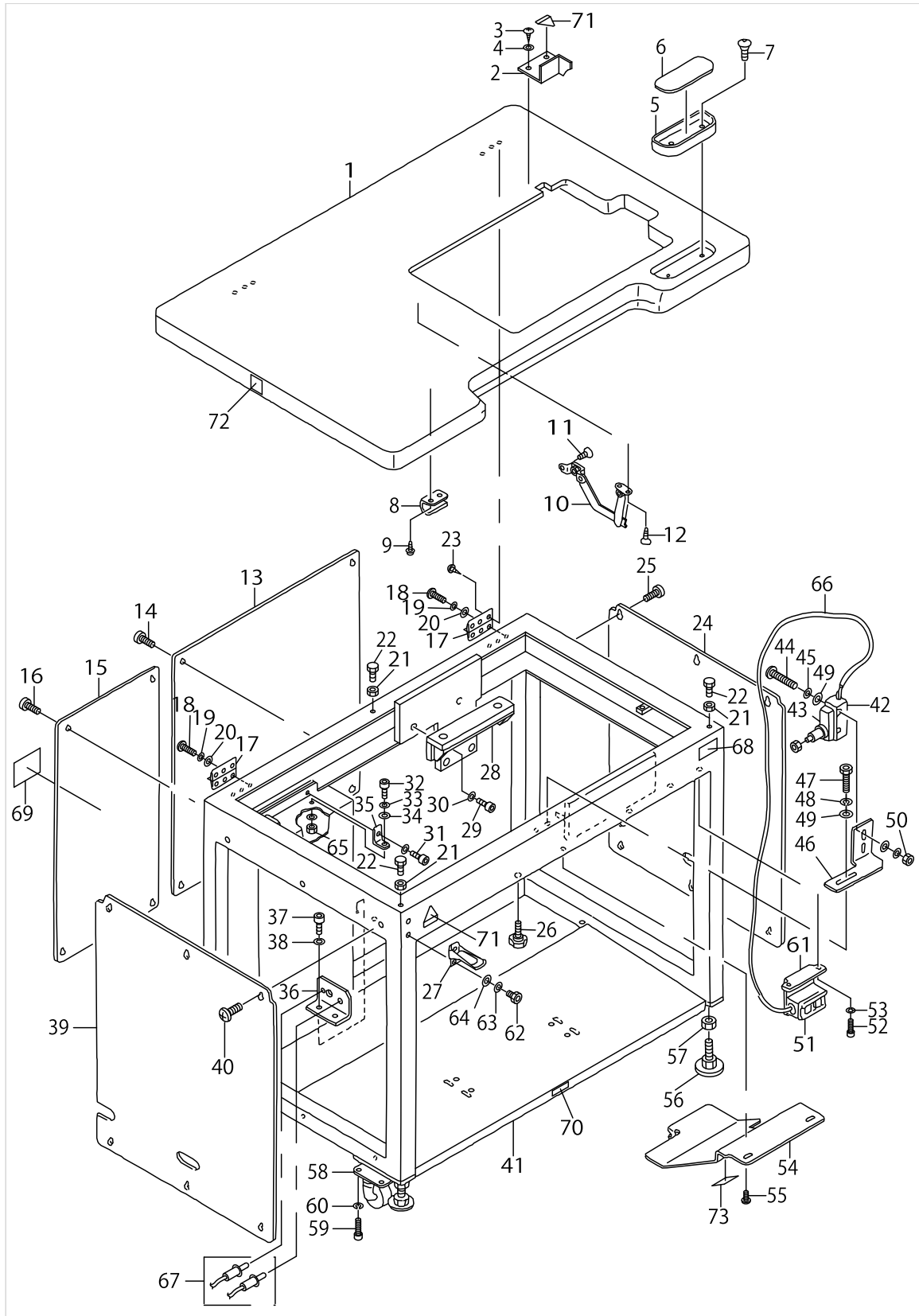
FRAME & COVER COMPONENTS



FRAME & COVER COMPONENTS

No.	Supply Code	Parts No.	Replacement	Parts name	Remarks	Choice	Step	Level	Cons	Qty	Rep. QTY
1		25235409		TABLE						1	
2	D	16679102		BELT COVER						1	
3		ST4041621SN		TAPPING SCREW						2	
4		WP0320500SC		WASHER M3						2	
5		11156007		CASE						1	
6		11155801		CASE MAGNET						1	
7		SK3382001SC		WOOD SCREW D=3.8 L=20						2	
8		16679201		HOOK BRACKET						1	
9		16717704		TAPPING SCREW						2	
10		16715906		STAY						1	
11		SM1040852TP		DISH SCREW						2	
12		16718009		TAPPING SCREW						2	
13	D	25236209		FRAME COVER,B						1	
14		SM0050801SC		SCREW						6	
15	D	25236100		FRAME COVER,A						1	
16		SM0050801SC		SCREW						4	
17		16679003		HINGE						2	
18		SM6051552TP		SCREW M5 L=15						6	
19		WS0510002KN		SPRING WASHER						6	
20		WP0531001SC		WASHER						6	
21		NM6060001SC		NUT M6						3	
22		16677809		ADJUSTING BOLT						3	
23		16717803		TAPPING SCREW						6	
24	D	25236407		FRAME COVER,D						1	
25		SM0050801SC		SCREW						6	
26		25252305		KNOB						1	
27		16716003		CATCH CLIP						1	
28		16677700		GEAR BOX INSTALLING BASE						1	
29	D	SM6102512TP		SCREW M10X1.5 L=25.0						2	
30		WS1020002KN		SPRING WASHER M10						2	
31		SM6051202TP		SCREW M5X0.8 L=12						1	
32		SM6051552TP		SCREW M5 L=15						2	
33		WS0510002KN		SPRING WASHER						4	
34		WP0531001SC		WASHER						6	
35		25235508		TRANSMISSION BOX BRACKET						2	
36		25243205		SW BASE						1	
37		SM6041002TP		SCREW M4 L=10						2	
38		WS0410002KN		SPRING WASHER						2	
39	D	25236407		FRAME COVER,D						1	
40		SM0050801SC		SCREW						6	
41		25243502		FRAME						1	
42	D	HA000370010		TERMINAL PROTECTION COVER						1	
43	D	HA002240000		SWITCH						1	
44		SM4043501SE		SCREW M4 L=35						1	
45		WS0410002KN		SPRING WASHER						2	
46		25235201		LIMIT FITTING PLATE						1	

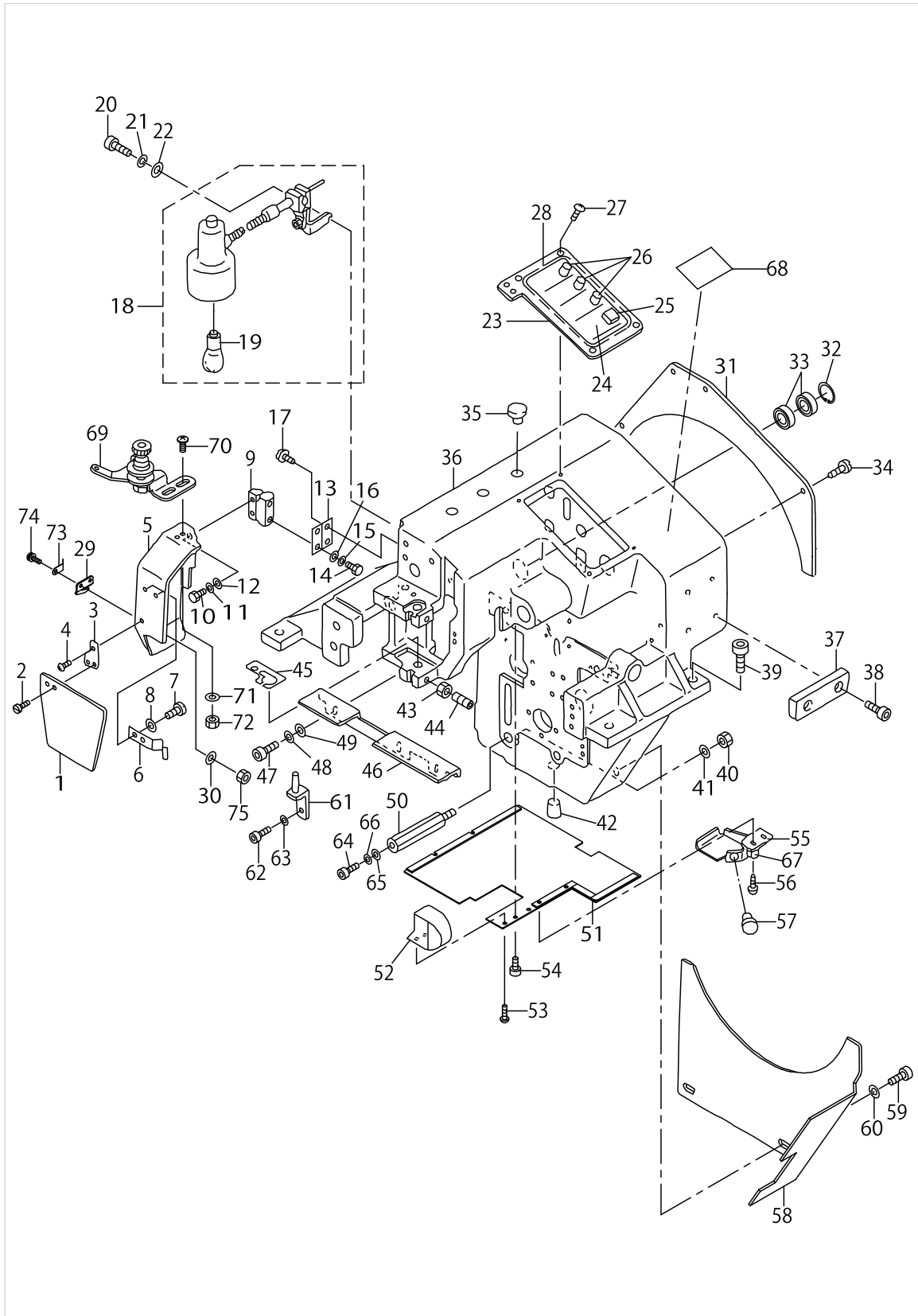
FRAME & COVER COMPONENTS



FRAME & COVER COMPONENTS

No.	Supply Code	Parts No.	Replacement	Parts name	Remarks	Choice	Step	Level	Cons	Qty	Rep. QTY
47		SM6041002TP		SCREW M4 L=10						2	
48		WS0410002KN		SPRING WASHER						2	
49		WP0430801SC		WASHER 4.3X9X0.8						6	
50		NM6040003SC		NUT M4						1	
51		25212804		POWER SOURCE SWITCH						1	
52		SM6051002TP		SCREW M5X0.8 L=10						2	
53		WS0510002KN		SPRING WASHER						2	
54		25238304		FRONT PANEL						1	
55		SM0050801SC		SCREW						3	
56		16716508		ADJUSTER FOOT						4	
57		NM6201202SC		NUT M20						4	
58		16715609		CASTER						4	
59		SM6061202TP		SCREW M6 L=12						16	
60		WS0610002KN		SPRING WASHER 6.1X12.2X1.5						16	
61		25243106		POWER SOURCE BRACKET						1	
62		SM6061002TP		SCREW M6 L=10						2	
63		WS0610002KN		SPRING WASHER 6.1X12.2X1.5						2	
64		WP0641601SC		WASHER						2	
65		NM6050001SC		NUT M5						2	
66		25209750		POWER SWITCH ASM.,A						1	
67		25208950		PITCH TRIMMING BOX ASM.						1	
68		CM300200301		SAFETY LABEL, 5(SMALL).						1	
69		CM300100102		DANGER LABEL (LARGE)						1	
70		16870206		GRAVITY SEAL						2	
71		CM3002000B2		LABEL(25).						2	
72		16701302		TABLE CAUTION LABEL						2	
73		CM300600102		LABEL(LARGE)						1	

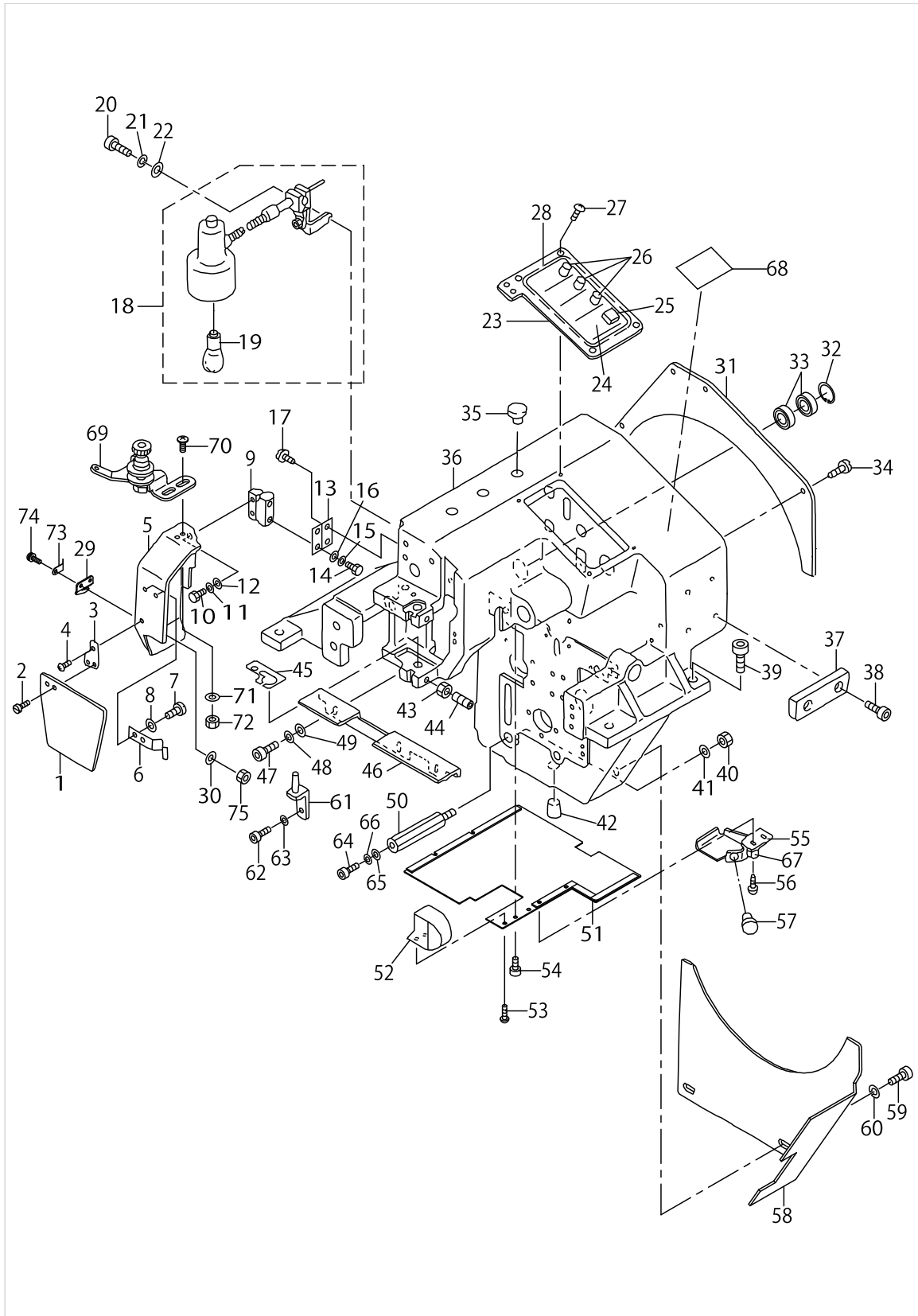
GEAR BOX FRAME COMPONENTS(1)



GEAR BOX FRAME COMPONENTS(1)

No.	Supply Code	Parts No.	Replacement	Parts name	Remarks	Choice	Step	Level	Cons	Qty	Rep. QTY
1		16680100		SAFETY COVER						1	
2		SS4090615SP		SCREW 9/64-40 L=6						1	
3		16680001		COVER BRACKET						1	
4		SM0040801SC		SCREW						1	
5	D	25236506		BED COVER						1	
6		16679904		PLATE SPRING						1	
7		SS7120410TP		SCREW 3/16-28 L=4.2						2	
8		WP0430801SC		WASHER 4.3X9X0.8						2	
9		16716409		HINGE						1	
10		SM9040803SD		BOLT M4X0.7 L=8						3	
11		WS0410002KN		SPRING WASHER						3	
12		WP0430801SC		WASHER 4.3X9X0.8						3	
13		25236605		COVER FITTING PLATE						1	
14		SM9051603SD		BOLT M5X0.8 L=16						2	
15		WS0510002KN		SPRING WASHER						2	
16		WP0531001SC		WASHER						2	
17		SM0041001SC		SCREW M4 L=10						2	
18		16590200		FLUORESCENCE LIGHT						1	
19		16590309		LIGHT				*		1	
20		SM6062002TP		SCREW M6 L=20						1	
21		WS0610002KN		SPRING WASHER 6.1X12.2X1.5						1	
22		WP0641601SC		WASHER						1	
23		25236704		PANEL COVER						1	
24		25214305		OPERATION PANEL SEAT						1	
25	D	HA002510010		SWITCH BUTTON						1	
26	D	HX001650000		PICK-UP						3	
27		SM0040801SC		SCREW						4	
28	D	16554552		PANEL CIRCUIT BOARD ASM.						1	
29		11521903		THREAD TRIMMER						1	
30		WP0280500SD		WASHER						1	
31		25237009		G.B COVER						1	
32		16718702		RETAINING RING						1	
33		16710006		BEARING						2	
34		SM4040601SC		SCREW M4X0.7 L=6						4	
35		20321204		BUSH						1	
36		25215005		G.B FRAME,A						1	
37		25243403		PLATE						1	
38		SM6041002TP		SCREW M4 L=10						2	
39		SM6104502TP		SCREW M10 L=45						4	
40	R	NM6120001SC	NM6120002SE	NUT M12						1	1.00
41	R	WS1220002KN	WS1220002KP	SPRING WASHER						1	1.00
42		16811606		PLUG						1	
43		NM6030003SC		NUT M3						2	
44		SM8031002TP		SCREW						2	
45		25248204		OIL RESERVOIR SEAT						1	
46		25234709		COVER HOLDING,1						1	

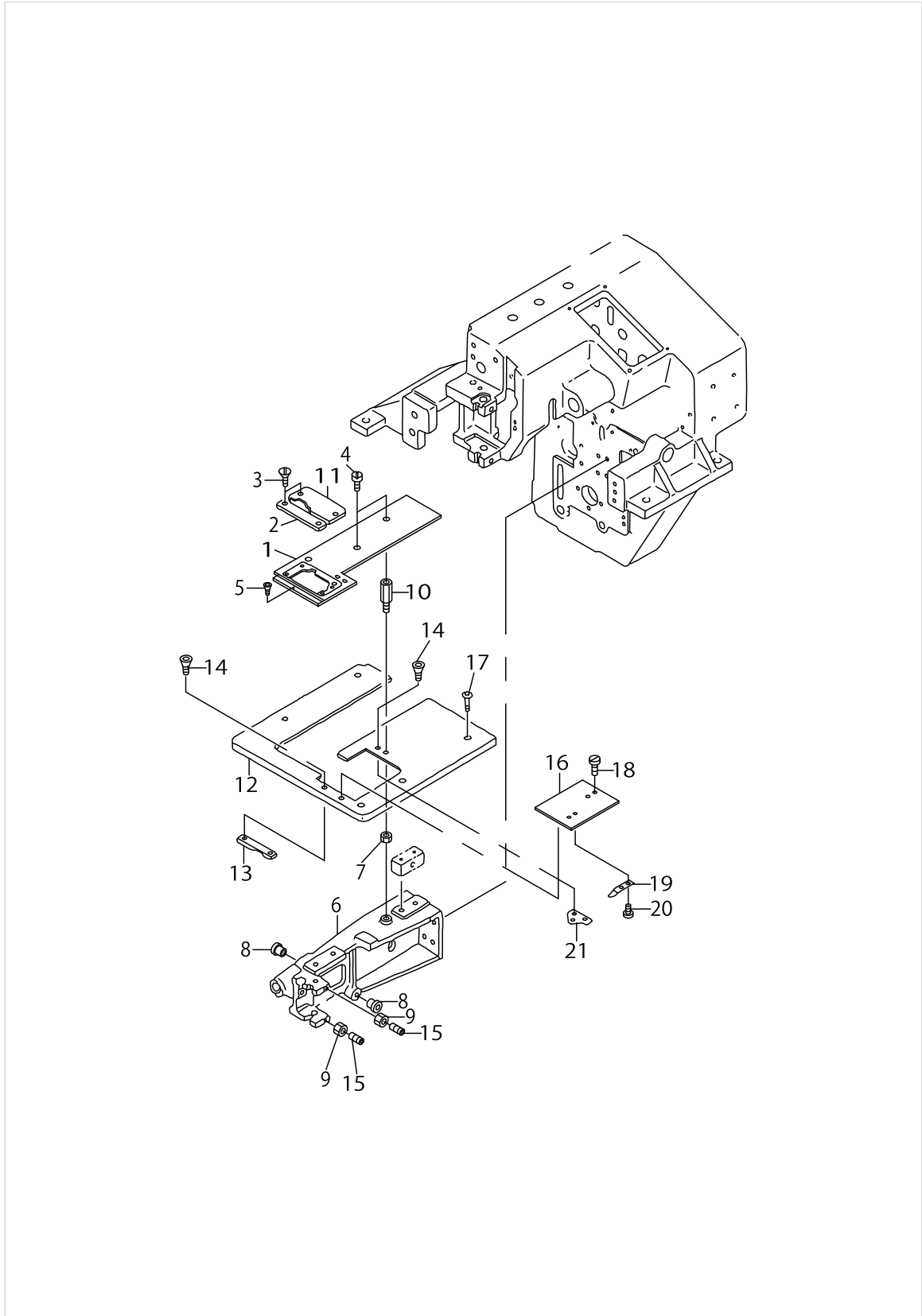
GEAR BOX FRAME COMPONENTS(1)



GEAR BOX FRAME COMPONENTS(1)

No.	Supply Code	Parts No.	Replacement	Parts name	Remarks	Choice	Step	Level	Cons	Qty	Rep. QTY
47		SM6040802TP		SCREW M4X0.7 L=8						3	
48		WS0410002KN		SPRING WASHER						3	
49		WP0430801SC		WASHER 4.3X9X0.8						3	
50		25216706		CONNECTING STUD						1	
51		25234253		G.B UNDER COVER						1	
52		25234303		NEEDLE ROD SHAFT COVER						1	
53	D	25251802		BOLT						2	
54	D	25251802		BOLT						4	
55		25236902		BRACKET						1	
56	D	25251802		BOLT						1	
57		TA1250804R0		RUBBER PLUG						1	
58		25237108		G.B REAR COVER						1	
59		SM6061002TP		SCREW M6 L=10						2	
60		WS0610002KN		SPRING WASHER 6.1X12.2X1.5						2	
61		16680209		PIN BRACKET						1	
62		SM6041202TP		SCREW M4X0.7 L=12						2	
63		WS0410002KN		SPRING WASHER						2	
64	D	SM6123002TP		SCREW M12 L=30						1	
65		WP1302500SC		WASHER						1	
66	R	WS1220002KN	WS1220002KP	SPRING WASHER						1	1.00
67		25209255		PB-5 CABLE ASM.,2						1	
68		CM300600102		LABEL(LARGE)						1	
69		13764352		TENSION BRACKET CONNEC.						1	
70		SM0041201SA		SCREW M4X0.7 L=12						2	
71		WP0430801SC		WASHER 4.3X9X0.8						2	
72		NM6040001SC		NUT M4						2	
73	D	25156407		THREAD PRESSER PLATE						1	
74		SL4851091SC		SCREW						1	
75		NM6860001SC		NUT M2.6						1	

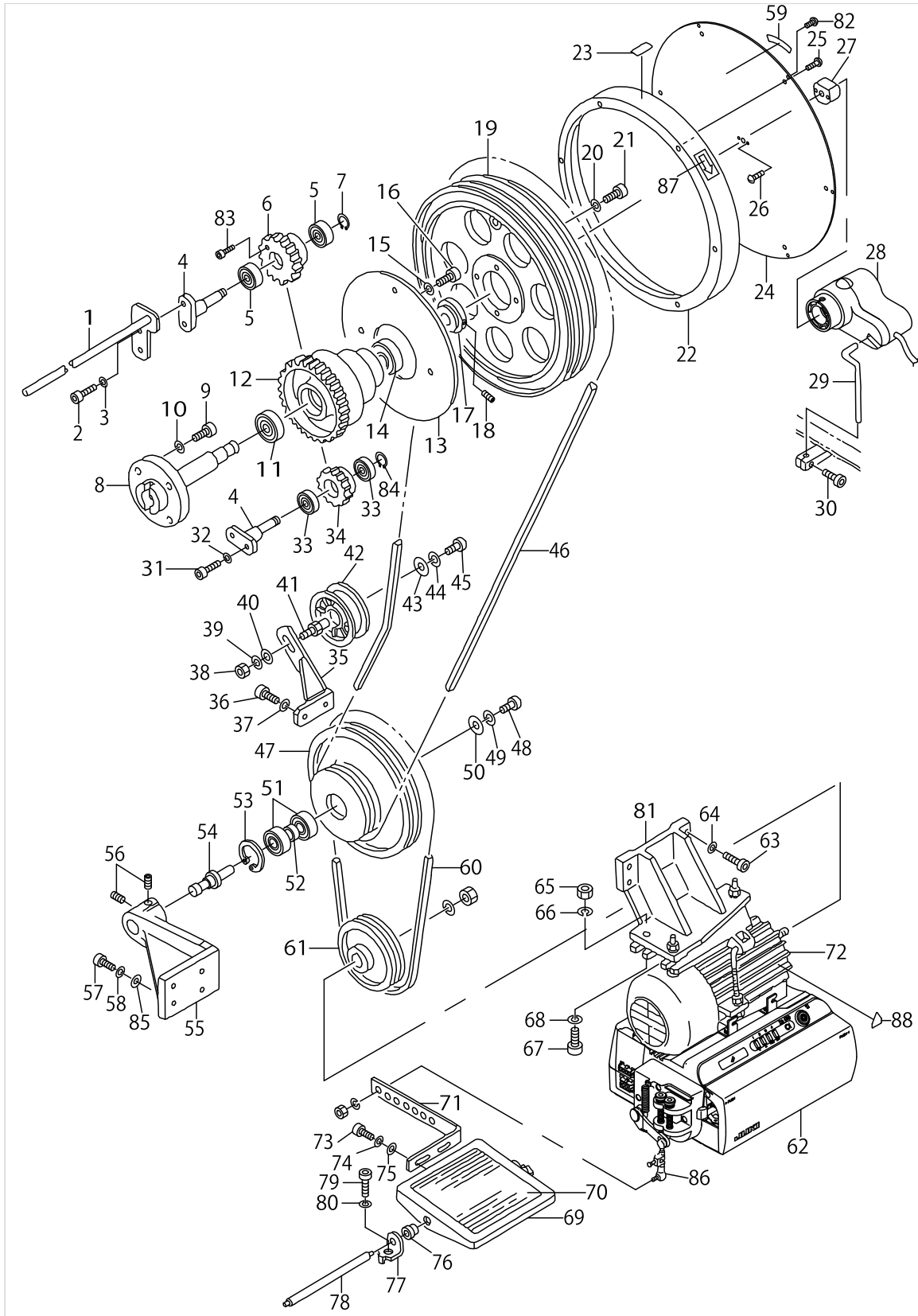
GEAR BOX FRAME COMPONENTS(2)



GEAR BOX FRAME COMPONENTS(2)

No.	Supply Code	Parts No.	Replacement	Parts name	Remarks	Choice	Step	Level	Cons	Qty	Rep. QTY
1		25226200		WORKPIECE PLATE						1	
2		25237900		THROAT PLATE L						1	
3		SS2090510SP		SCREW 9/64-40 L=5						4	
4		SS6121210SP		SCREW 3/16-28 L=12						4	
5		25149907		BOLT						1	
6		25215401		LOWER FRAME						1	
7		NM6060003SC		NUT M6						1	
8		16629503		BUSHING						2	
9		NM6030001SC		NUT M3						2	
10		25226309		PLATE HOLDING STUD						1	
11		25226705		THROAT PLATE R						1	
12		25234600		TABLE COVER						1	
13	D	16704520		SLIDING PLATE GUIDE B						1	
14		25152109		SCREW						2	
15		SM8031002TP		SCREW						2	
16		16704322		SLIDE PLATE						1	
17	D	25251802		BOLT						4	
18		25152109		SCREW						1	
19		B1109481000		SPRING						1	
20		SS6060220SP		SCREW 3/32-56 L=2.0						2	
21	D	16877417		SLIDING PLATE BASE						1	

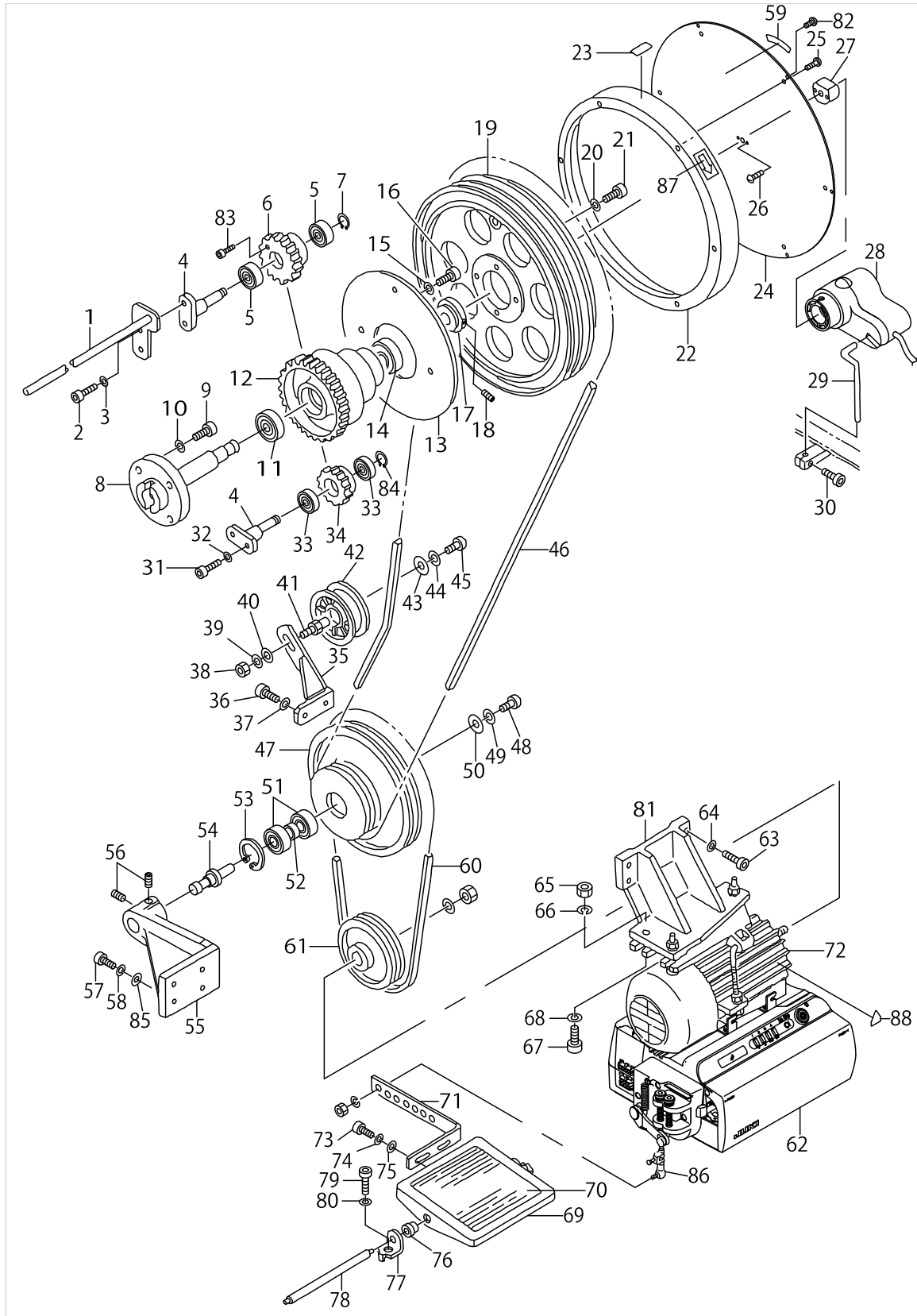
HANDLE & MOTOR COMPONENTS



HANDLE & MOTOR COMPONENTS

No.	Supply Code	Parts No.	Replacement	Parts name	Remarks	Choice	Step	Level	Cons	Qty	Rep. QTY
1		16679508		INSTALLING BASE						1	
2		SM6052502TP		SCREW M5X0.8 L=25						2	
3		WS0510002KN		SPRING WASHER						2	
4		16625402		GEAR PIN 1						2	
5		SB112000200		BEARING						2	
6		16625501		FLAT GEAR G						1	
7		RC1200001KP		C-SHAPED SNAP RING						1	
8		25215500		CENTER SHAFT						1	
9		SM6082502TP		SCREW M8 L=25						4	
10		WS0820002KN		SPRING WASHER M8						4	
11		B1210761000		BALL BEARING						1	
12		16624603		CENTER GEAR						1	
13		16876906		LEFT LOOPER CAM						1	
14		SB120000200		BEARING 20X42						1	
15		WS0610002KN		SPRING WASHER 6.1X12.2X1.5						2	
16	R	SM6061552TP	SM6061552SP	SCREW M6 L=15						2	1.00
17		16624900		BEARING PRESSER						1	
18		SM8060802TP		SCREW M6 L=8						2	
19		25217803		CAM WHEEL						1	
20		WS0820002KN		SPRING WASHER M8						4	
21		SM6083002TP		SCREW M8 L=30						4	
22		16625105		HANDLE						1	
23	D	16879504		REFLECTION SEAT						1	
24	D	16625006		HANDLE COVER						1	
25		SM1040601SP		SCREW M4X0.7 L=6						6	
26		25151705		SCREW						1	
27		16625204		ADAPTER						1	
28	D	GSY030000A0		SY-3						1	
29		16625303		FIXED ROD						1	
30		SM6041202TP		SCREW M4X0.7 L=12						1	
31		SM6052002TP		SCREW M5 L=20						2	
32		WS0410002KN		SPRING WASHER						2	
33	R	18347708	G1812870000	BEARING						2	1.00
34	D	16626111		FLAT GEAR E						1	
35		16645202		IDLER BRACKET						1	
36		SM6062002TP		SCREW M6 L=20						2	
37		WS0610002KN		SPRING WASHER 6.1X12.2X1.5						2	
38		NM6080003SC		NUT M8						1	
39		WS0820002KN		SPRING WASHER M8						1	
40		WP0841601SC		WASHER 8.4X17.4X1.6						1	
41		16645301		IDLER SHAFT						1	
42		16715401		IDLER PULLEY						1	
43		16645400		WASHER						1	
44		WS0510002KN		SPRING WASHER						1	
45		SM6051202TP		SCREW M5X0.8 L=12						1	
46		16715005		WEDGE BELT						1	

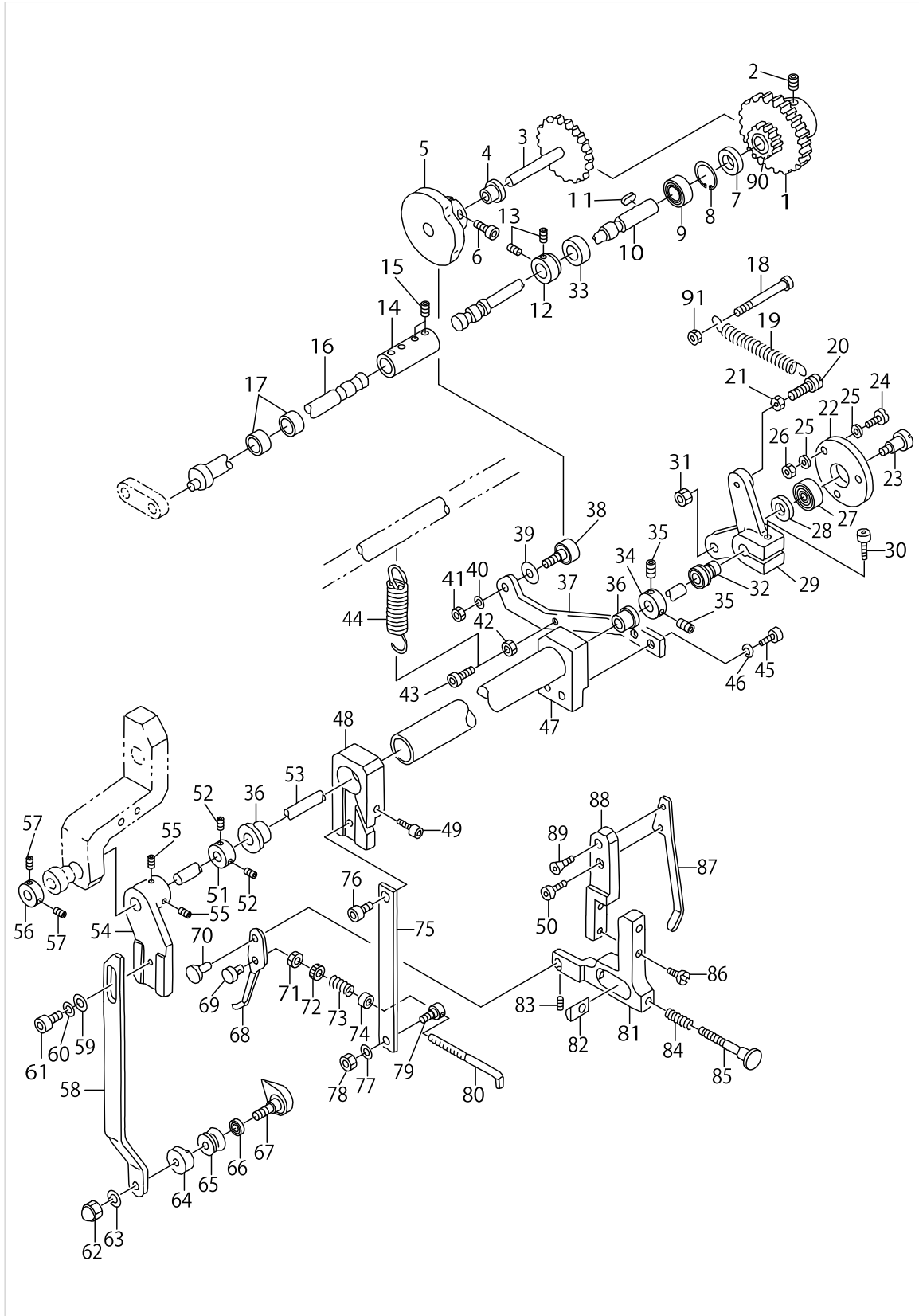
HANDLE & MOTOR COMPONENTS



HANDLE & MOTOR COMPONENTS

No.	Supply Code	Parts No.	Replacement	Parts name	Remarks	Choice	Step	Level	Cons	Qty	Rep. QTY
47		16644908		PULLEY, INTERMEDIATE						1	
48	R	SM6061552TP	SM6061552SP	SCREW M6 L=15						1	1.00
49		WS0610002KN		SPRING WASHER 6.1X12.2X1.5						1	
50		16645103		WASHER						1	
51		16710709		BEARING						2	
52		16645004		BEARING COLLAR						1	
53	D	RC3700002KP		RETAINING RING 37						1	
54		16644809		PULLEY SHAFT						1	
55		16644700		BRACKET						1	
56		SM8060802TP		SCREW M6 L=8						2	
57		SM6062502TP		SCREW M6 L=25						4	
58		WS0610002KN		SPRING WASHER 6.1X12.2X1.5						4	
59		B1144210000		REVOLVING DIRECTION LABEL						1	
60		25254004		WEDGE BELT						1	
61	D	MTSP01100B0		MOTOR PULLEY ASM. P.C.D 110						1	
62	D	GFL010050A0		FLS PSC BOX B ASM.						1	
63		SM6083002TP		SCREW M8 L=30						4	
64		WS0820002KN		SPRING WASHER M8						4	
65		NM6080001SC		NUT M8X1.25						3	
66		WS0820002KN		SPRING WASHER M8						3	
67		SM6085002TP		SCREW						3	
68		WP0841601SC		WASHER 8.4X17.4X1.6						3	
69		11158805		PEDAL						1	
70		11158904		PEDAL MAT						1	
71	D	25238908		PEDAL ADJUSTING PLATE						1	
72		M6130351AA0		AC SERVO MOTOR						1	
73	R	SM6061552TP	SM6061552SP	SCREW M6 L=15						2	1.00
74		WS0610002KN		SPRING WASHER 6.1X12.2X1.5						2	
75		WP0641601SC		WASHER						2	
76		D8113555B00		PEDAL BUSHING						2	
77		11159001		PEDAL SHAFT BRACKET						2	
78		D8115555B00		PEDAL SHAFT						1	
79		SM6081552TP		SCREW M8 L=15						2	
80		WS0820002KN		SPRING WASHER M8						2	
81		16644601		MOTOR BASE						1	
82		SS3090810SL		SCREW 9/64-40 L=8						6	
83		SM6042002TP		SCREW M4X0.7 L=20						4	
84		RC1200001KP		C-SHAPED SNAP RING						1	
85		WP0641601SC		WASHER						4	
86		16678609		PITMAN ROD						1	
87		CM500300001		DIRECTION LABEL						1	
88		CM3002000A1		CAUTION LABEL(16)						1	

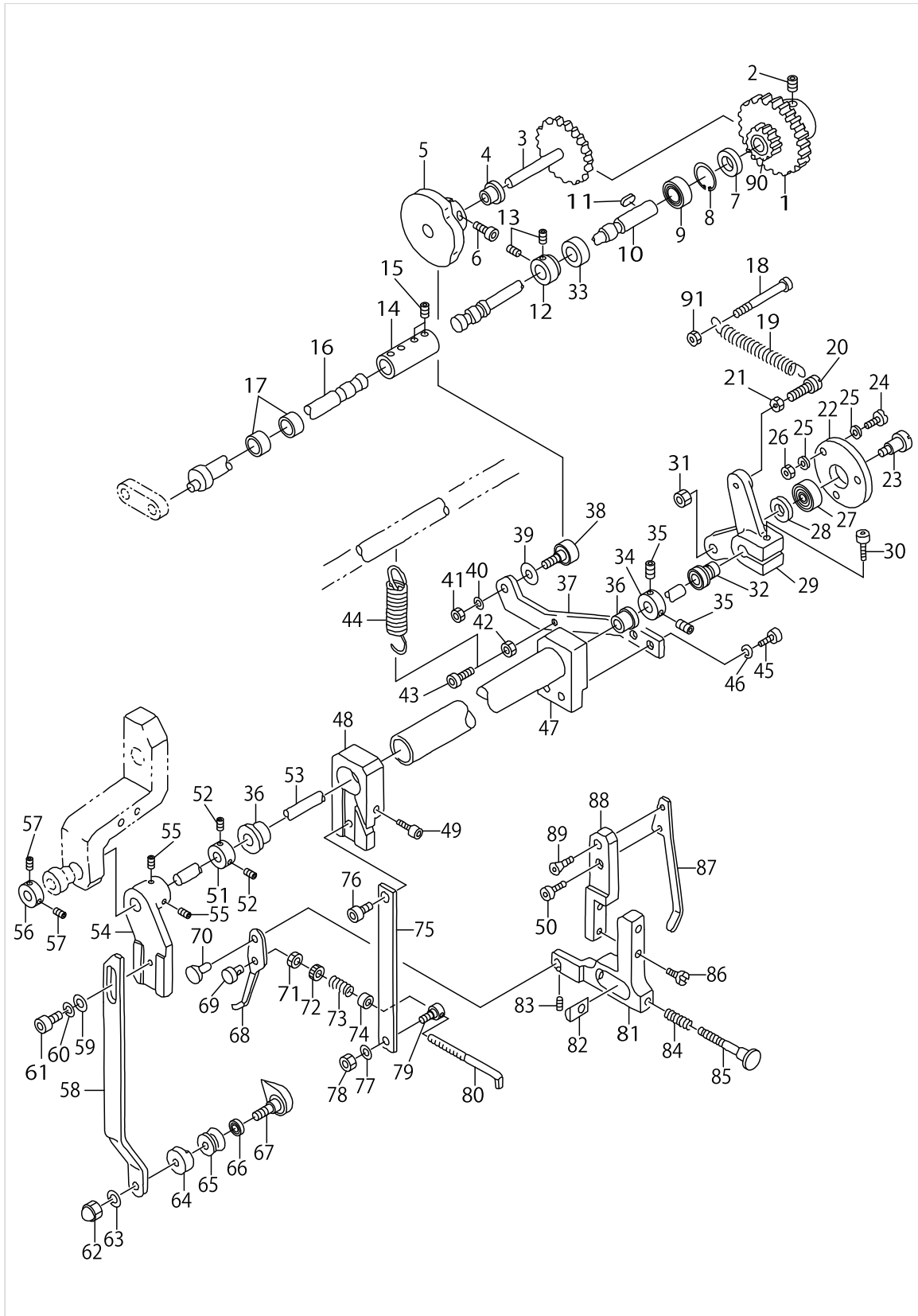
LEET,RIGHT LOOPER COMPONENTS



LEET,RIGHT LOOPER COMPONENTS

No.	Supply Code	Parts No.	Replacement	Parts name	Remarks	Choice	Step	Level	Cons	Qty	Rep. QTY
1		16625709		FLAT GEAR H						1	
2		SM8050812TP		SCREW M5X8						2	
3		16625808		FLAT GEAR J						1	
4		25242603		BUSHING						1	
5		16878001		RIGHT LOOPER CAM (3MM)						1	
6		SM6041502TP		SCREW M4X0.7 L=15						1	
7		25242801		COLLAR,B						1	
8	D	25253204		SNAP RING						1	
9		16720005		BEARING						1	
10		16665101		SHAFT						1	
11		16714503		KEY						1	
12		16711301		COLLAR						1	
13		SM8050602TP		SCREW M5 L=6						2	
14		16665002		SHAFT JOINTING						1	
15		SM8050502TP		SCREW M5 L=5						4	
16		25228115		SHAFT						1	
17		25253303		NEEDLE BEARING						2	
18		SM6086002TP		SCREW						1	
19		16627507		SPRING						1	
20	D	16699605		SPRINGSUSPENSION						1	
21		NM6060001SC		NUT M6						1	
22		16627804		ROLLER						1	
23		25243908		ROLLER PIN						1	
24		SS6121210SP		SCREW 3/16-28 L=12						3	
25		16627903		WASHER						6	
26		NS6120310SP		NUT 3/16-28						3	
27		16710303		BEARING						1	
28		16627606		COLLAR						1	
29		25216508		ROLLER LEVER						1	
30		SM6062002TP		SCREW M6 L=20						1	
31		NM6060001SC		NUT M6						1	
32		25254608		BEARING						1	
33		25242702		COLLAR,A						1	
34	D	16711608		COLLAR						1	
35		SM8040502TP		SCREW M4X0.7 L=5						2	
36		16630303		BUSHING						2	
37		16630709		LEVER						1	
38		16713208		CAM FOLLOWER						1	
39		16630808		WASHER						1	
40		WS0510002KN		SPRING WASHER						1	
41		NM6050001SC		NUT M5						1	
42		NM6040001SC		NUT M4						1	
43		SM6041502TP		SCREW M4X0.7 L=15						1	
44		16630907		SPRING						1	
45		SM6041502TP		SCREW M4X0.7 L=15						2	
46		WS0410002KN		SPRING WASHER						2	

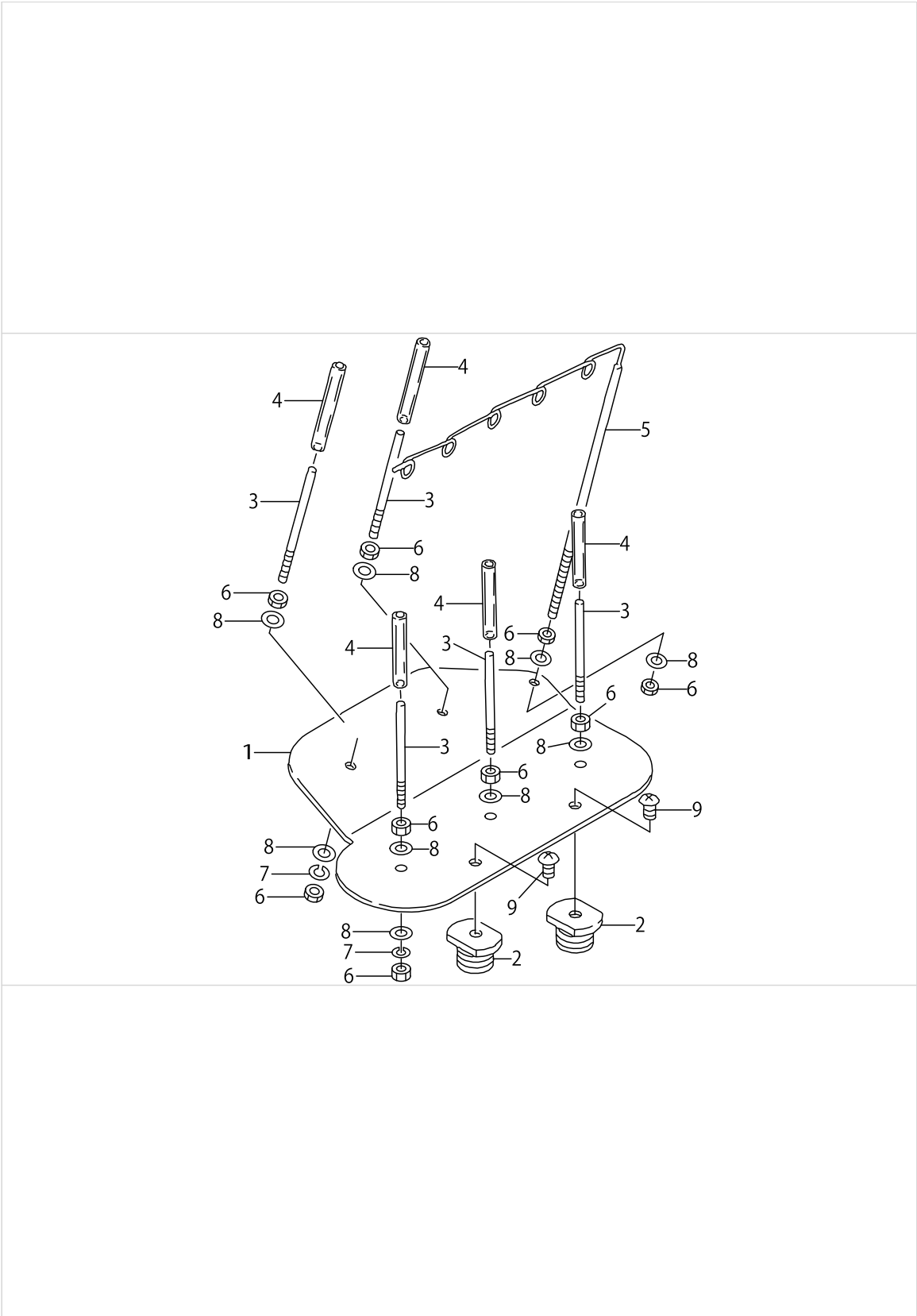
LEET,RIGHT LOOPER COMPONENTS



LEET,RIGHT LOOPER COMPONENTS

No.	Supply Code	Parts No.	Replacement	Parts name	Remarks	Choice	Step	Level	Cons	Qty	Rep. QTY
47		25217506		LONG COLLAR						1	
48		16631004		HOLDER						1	
49		SM6052502TP		SCREW M5X0.8 L=25						1	
50		SM6041002TP		SCREW M4 L=10						1	
51	D	16711608		COLLAR						1	
52		SM8040502TP		SCREW M4X0.7 L=5						2	
53		25217407		LEFT LOOPER SHAFT						1	
54		16629701		LEVER HOLDER						1	
55		SS8660612TP		SCREW 1/4-40 L=6						2	
56		16630204		SET COLLAR						1	
57		SM8040502TP		SCREW M4X0.7 L=5						2	
58	D	16629800		LOOPER ARM						1	
59		WP0430801SC		WASHER 4.3X9X0.8						1	
60		WS0410002KN		SPRING WASHER						1	
61		SM6041002TP		SCREW M4 L=10						1	
62		NM7030510SA		NUT M3						1	
63		WS0310002KN		SPRING WASHER M3						1	
64		25217308		LOOPER HOLDING DISH						1	
65		25217209		LOOPER ROLLER						1	
66	D	25254202		BEARING						1	
67	D	25217100		LEFT LOOPER						1	
68		16631814		RIGHT LOOPER						1	
69		16631707		PIN 2						1	
70		16632010		PIN						1	
71		NM6030001SC		NUT M3						1	
72		16631509		NUT						1	
73		16631400		TENSION SPRING						1	
74		16631608		COLLAR						1	
75		16631111		LEVER						1	
76		SM6040502TP		SCREW M4X0.7 L=5						1	
77		WP0430801SE		WASHER 4.3X9X0.8						1	
78		NM6040001SD		NUT M4						1	
79		16631202		PIN 1						1	
80		16631301		RIGHT LOOPER PIN						1	
81		16631939		BRACKET						1	
82		16632200		ADJUSTING NUT						1	
83		SM8030302TP		SCREW M3X0.5 L=3						1	
84		16632309		SPRING						1	
85		16632119		ADJUSTING SCREW						1	
86		SS6081210SP		SCREW 1/8-44 L=12						2	
87		16632408		PRESSER SPRING						1	
88		16877508		MOUNTING BASE						1	
89		16717001		SCREW						1	
90		16625600		FLAT GEAR I						1	
91		NM6080001SC		NUT M8X1.25						1	

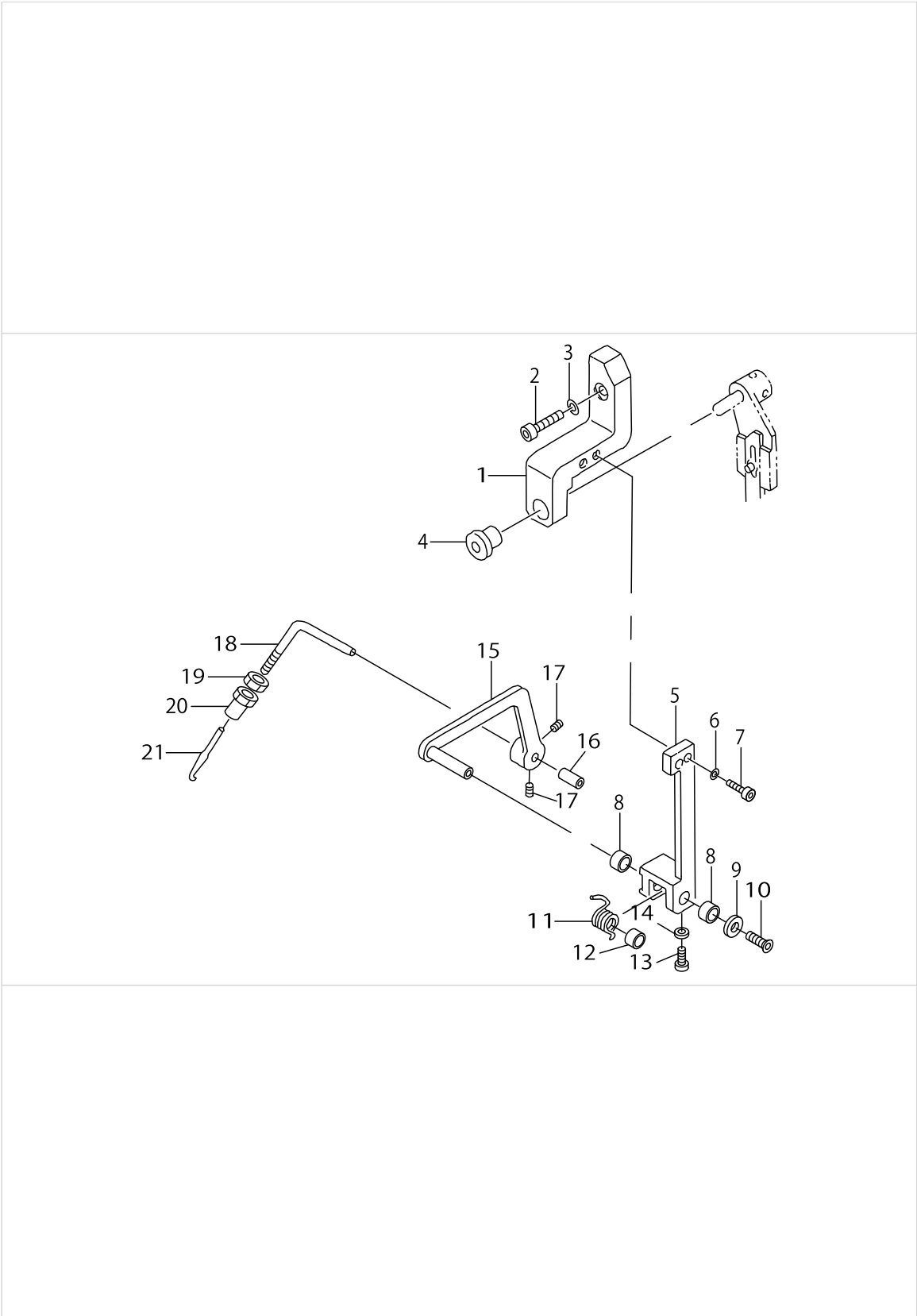
THREAD STAND COMPONENTS



THREAD STAND COMPONENTS

No.	Supply Code	Parts No.	Replacement	Parts name	Remarks	Choice	Step	Level	Cons	Qty	Rep. QTY
1		25238502		THREAD RAISING BASE						1	
2		25238809		NUT						2	
3		25238700		THREAD RAISING ROD						5	
4		BT0600400EC		TUBE HOSE, BLUE						5	
5		25238601		THREAD GUIDE						1	
6		NM6040003SC		NUT M4						12	
7		WS0410002KN		SPRING WASHER						5	
8		WP0430801SC		WASHER 4.3X9X0.8						12	
9		25151903		SCREW						2	

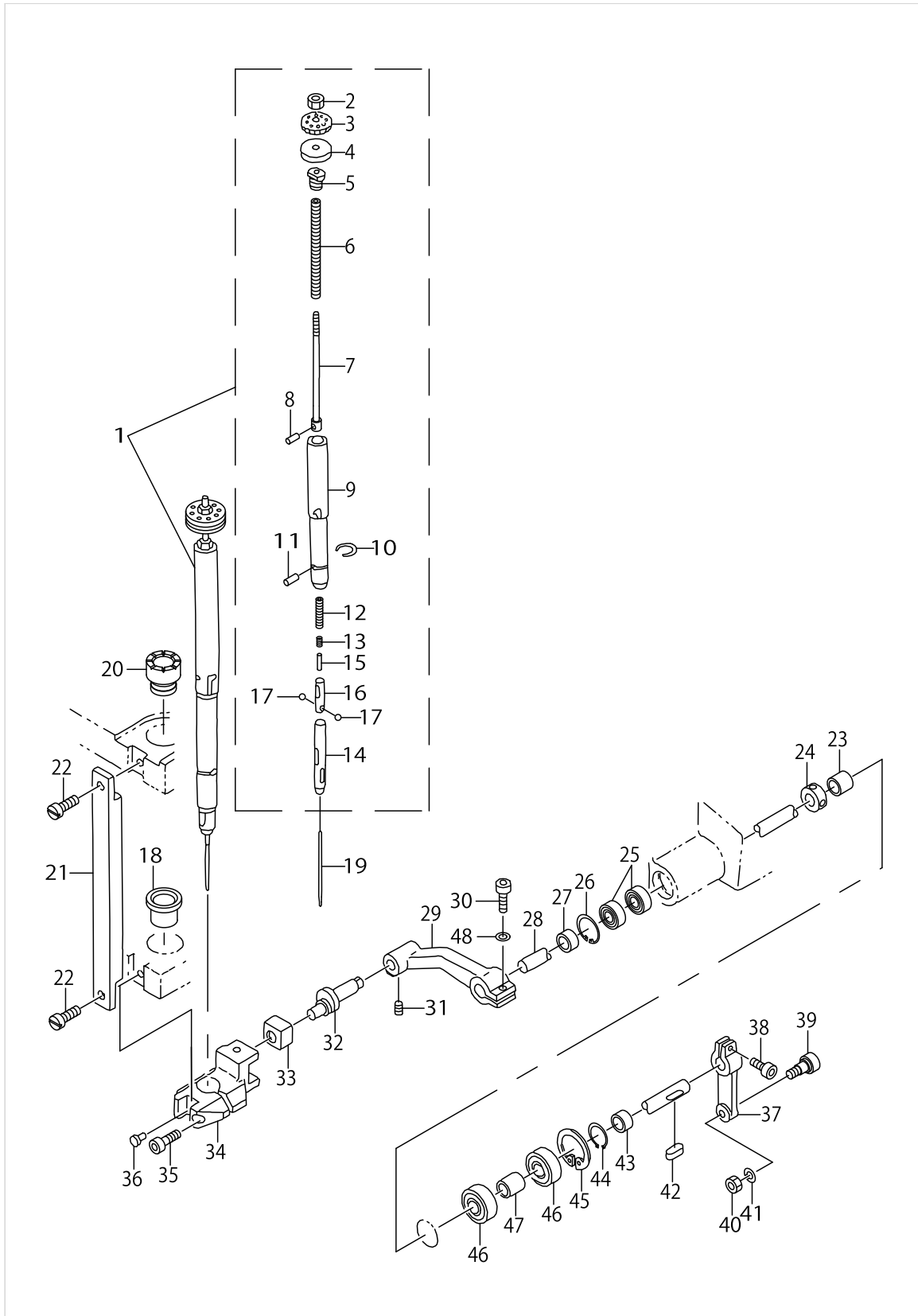
THREADING COMPONENTS



THREADING COMPONENTS

No.	Supply Code	Parts No.	Replacement	Parts name	Remarks	Choice	Step	Level	Cons	Qty	Rep. QTY
1		25219205		BRACKET						1	
2		SM6082502TP		SCREW M8 L=25						1	
3		WS0820002KN		SPRING WASHER M8						1	
4		16629503		BUSHING						1	
5		25218009		BRACKET						1	
6		WS0410002KN		SPRING WASHER						2	
7		SM6041502TP		SCREW M4X0.7 L=15						2	
8	D	16632606		BUSHING						2	
9		16633109		DISK WASHER						1	
10		25150004		SCREW						1	
11		16633000		SPRING						1	
12	D	16632903		GUIDE COLLAR						1	
13		SM6031002TP		HEXAGONAL BOLT M3 X 10						1	
14		NM6030001SC		NUT M3						1	
15		25218108		THREADING LEVER						1	
16		BT0600400EC		TUBE HOSE, BLUE						1	
17		16718405		SCREW						2	
18		25217902		PIN						1	
19		NM6050001SC		NUT M5						1	
20		16633307		NUT						1	
21	D	16633406		THREADING NEEDLE						1	

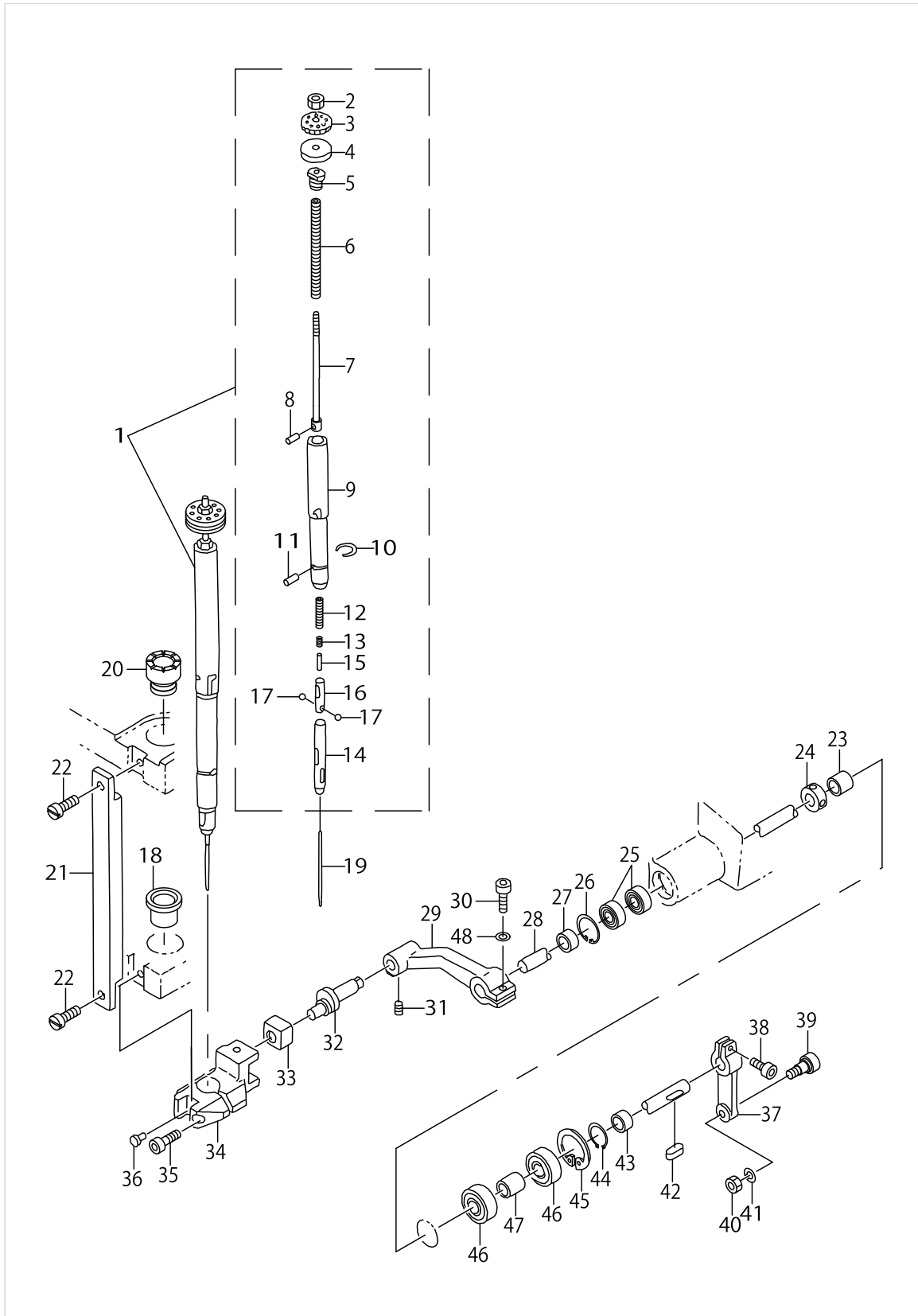
UPPER NEEDLE BAR COMPONENTS



UPPER NEEDLE BAR COMPONENTS

No.	Supply Code	Parts No.	Replacement	Parts name	Remarks	Choice	Step	Level	Cons	Qty	Rep. QTY
1		25243668		NEEDLEBARASM.#32						1	
2		16680803		NUT				*		1	
3		16661803		NEEDLE BOLT				*		1	
4		16661704		RUBBER WASHER				*		1	
5		16661308		BOLT				*		1	
6		16661605		BAR SPRING				*		1	
7		16661506		SUPPORT SLEEVE ROD				*		1	
8		G5514340000		PIN				*		1	
9		16798100		SUPPORT CYLINDER				*		1	
10		G5513340000		RING				*		1	
11	D	G5512340000		STOP PIN				*		1	
12		G5507340000		LOCK SPRING				*		1	
13		G5506340000		STOP SPRING				*		1	
14		25243601		SUPPORT SLEEVE				*		1	
15	D	25234105		PIN (FOR #32)				*		1	
16	D	G5503340000		STEEL BALL HOLDER				*		1	
17	D	G5542340000		STEEL BALL				*		2	
18	D	16662009		BUSHING B						1	
19		MDPN10C0000		NEEDLE DPN-1032B32						1	
20		16661902		BUSHING A						1	
21		16662108		STAY						1	
22		SS6090810SP		SCREW 9/64-40 L= 7.5						2	
23		25219106		COLLAR						1	
24		16711202		COLLAR						1	
25		SB115000400		RADIAL BEARING						2	
26	D	RC3200002KP		C RING						1	
27		25219007		COLLAR,6						1	
28		25218801		UPPER NEEDLE ROD SHAFT						1	
29	D	25218504		ARM,UPPER						1	
30		SM6062502TP		SCREW M6 L=25						1	
31		SM8060552TP		SCREW M6 L=5						1	
32	D	16633802		ECCENTRIC PIN, UPPER						1	
33	D	16633901		SLIDE BLOCK						1	
34	D	16661019		LIFTING BOSS (UPPER)						1	
35		SM6052002TP		SCREW M5 L=20						1	
36	D	25234006		PIN						1	
37		25218405		CAM FOLLOWER LEVER						1	
38		SM6063002TP		SCREW M6 L=30						1	
39	D	25254301		CAM FOLLOWER						1	
40		NM6080001SC		NUT M8X1.25						1	
41		WS0820002KN		SPRING WASHER M8						1	
42		25252008		KEY						1	
43		25218306		COLLAR,7						1	
44		RC0150001KP		RETAINING RING 13.8						1	
45		16718702		RETAINING RING						1	
46		16710006		BEARING						2	

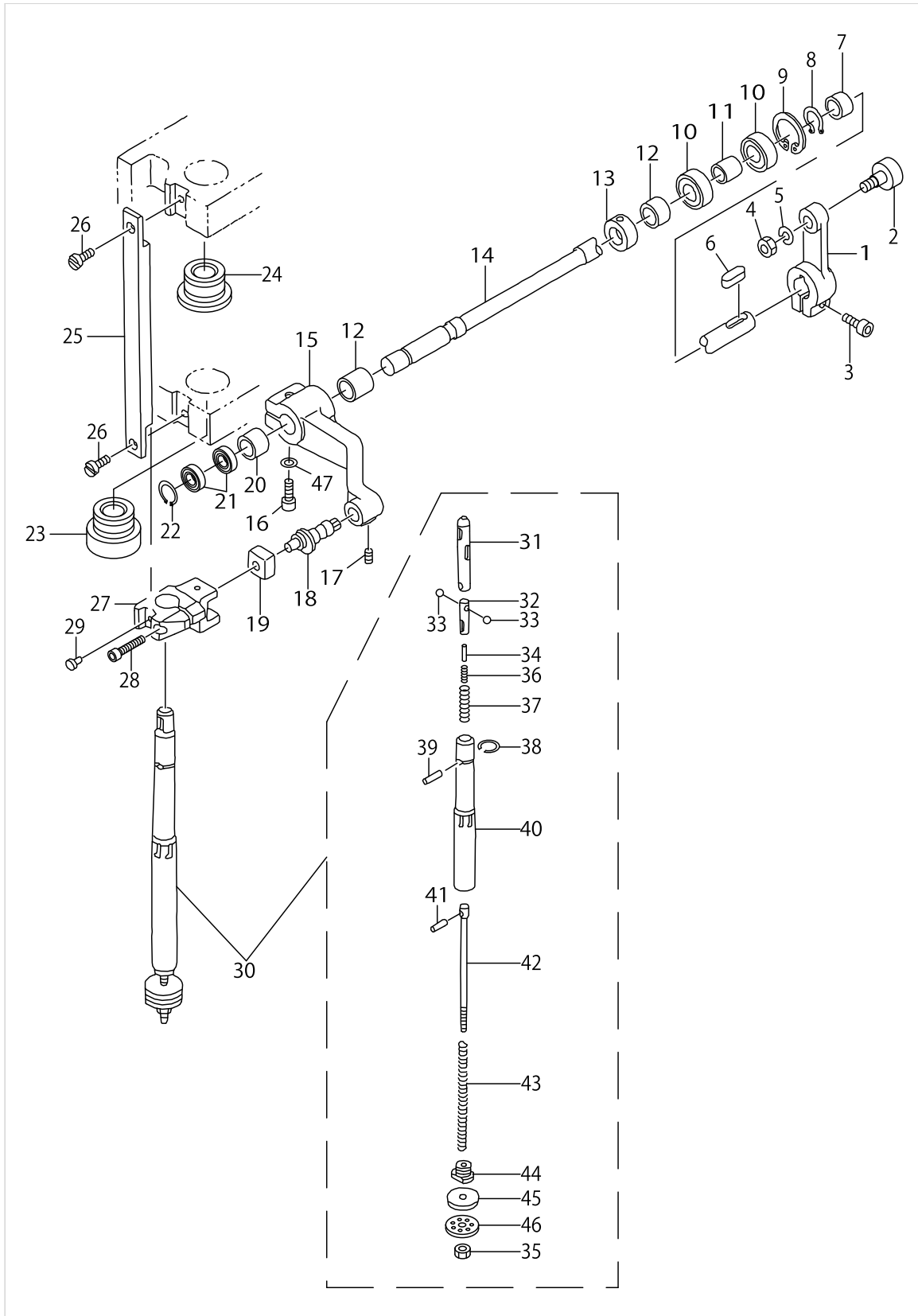
UPPER NEEDLE BAR COMPONENTS



UPPER NEEDLE BAR COMPONENTS

No.	Supply Code	Parts No.	Replacement	Parts name	Remarks	Choice	Step	Level	Cons	Qty	Rep. QTY
47		16629008		BEARING COLLAR						1	
48		WP0621016SH		WASHER						1	

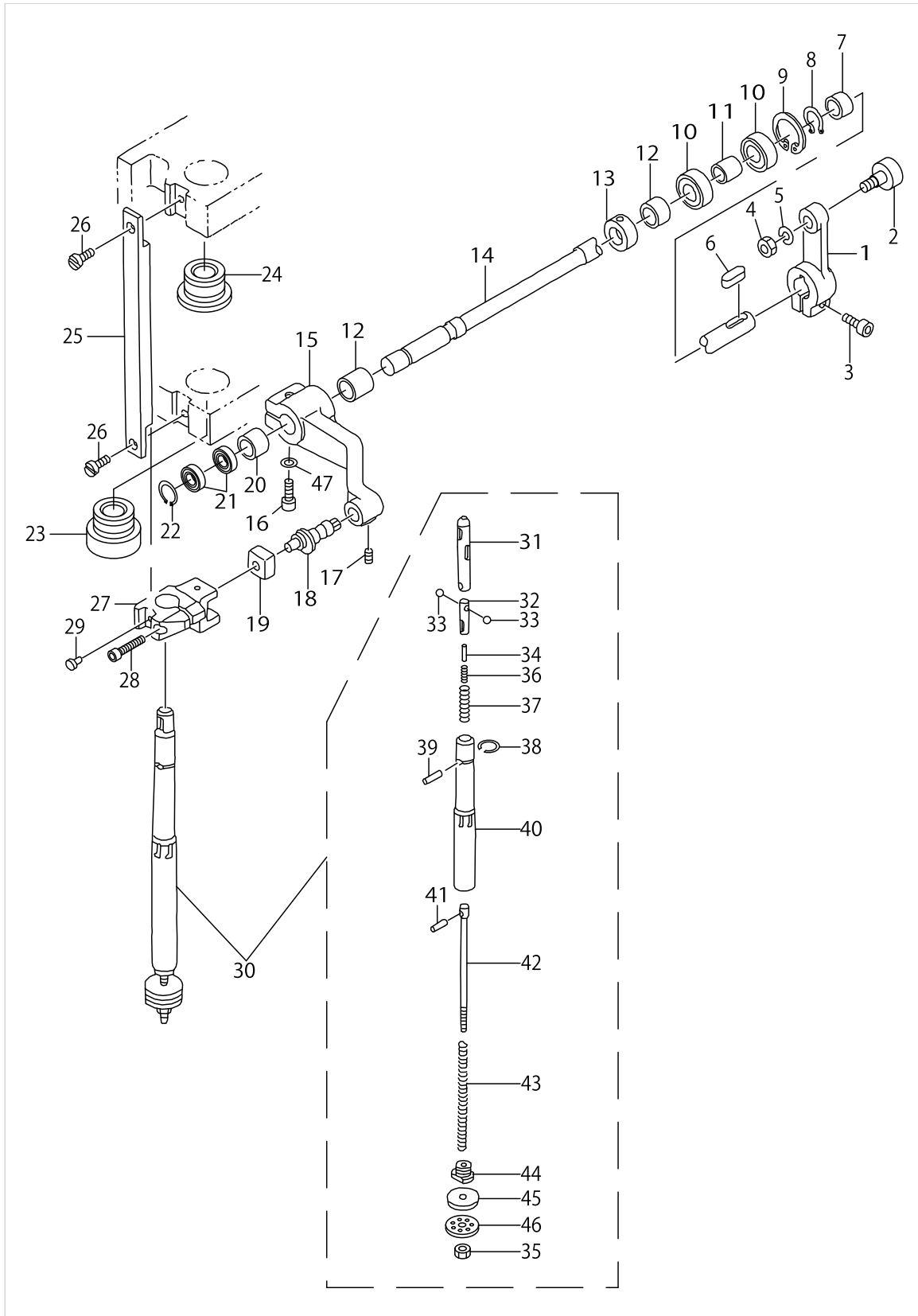
LOWER NEEDLE BAR COMPONENTS



LOWER NEEDLE BAR COMPONENTS

No.	Supply Code	Parts No.	Replacement	Parts name	Remarks	Choice	Step	Level	Cons	Qty	Rep. QTY
1		25218405		CAM FOLLOWER LEVER						1	
2	D	25254301		CAM FOLLOWER						1	
3		SM6063002TP		SCREW M6 L=30						1	
4		NM6080001SC		NUT M8X1.25						1	
5		WS0820002KN		SPRING WASHER M8						1	
6		25252008		KEY						1	
7		25218306		COLLAR,7						1	
8		RC0150001KP		RETAINING RING 13.8						1	
9		16718702		RETAINING RING						1	
10		16710006		BEARING						2	
11		16629008		BEARING COLLAR						1	
12		25219106		COLLAR						2	
13		16711202		COLLAR						1	
14		25218702		LOWER NEEDLE ROD SHAFT						1	
15	D	25218603		ARM,LOWER						1	
16		SM6062502TP		SCREW M6 L=25						1	
17		SM8060552TP		SCREW M6 L=5						1	
18	D	16635005		ECCENTRIC PIN, LOWER						1	
19	D	16633901		SLIDE BLOCK						1	
20		25219007		COLLAR,6						1	
21		SB115000400		RADIAL BEARING						2	
22	D	RC3200002KP		C RING						1	
23		16661902		BUSHING A						1	
24	D	16662009		BUSHING B						1	
25		16662108		STAY						1	
26		SS6090810SP		SCREW 9/64-40 L=7.5						2	
27	D	16661118		LIFTING BOSS (LOWER)						1	
28		SM6052002TP		SCREW M5 L=20						1	
29	D	25234006		PIN						1	
30		25243668		NEEDLEBARASM.#32						1	
31		25243601		SUPPORT SLEEVE				*		1	
32	D	G5503340000		STEEL BALL HOLDER				*		1	
33	D	G5542340000		STEEL BALL				*		2	
34	D	25234105		PIN (FOR #32)				*		1	
35		16680803		NUT				*		1	
36		G5506340000		STOP SPRING				*		1	
37		G5507340000		LOCK SPRING				*		1	
38		G5513340000		RING				*		1	
39	D	G5512340000		STOP PIN				*		1	
40		16798100		SUPPORT CYLINDER				*		1	
41		G5514340000		PIN				*		1	
42		16661506		SUPPORT SLEEVE ROD				*		1	
43		16661605		BAR SPRING				*		1	
44		16661308		BOLT				*		1	
45		16661704		RUBBER WASHER				*		1	
46		16661803		NEEDLE BOLT				*		1	

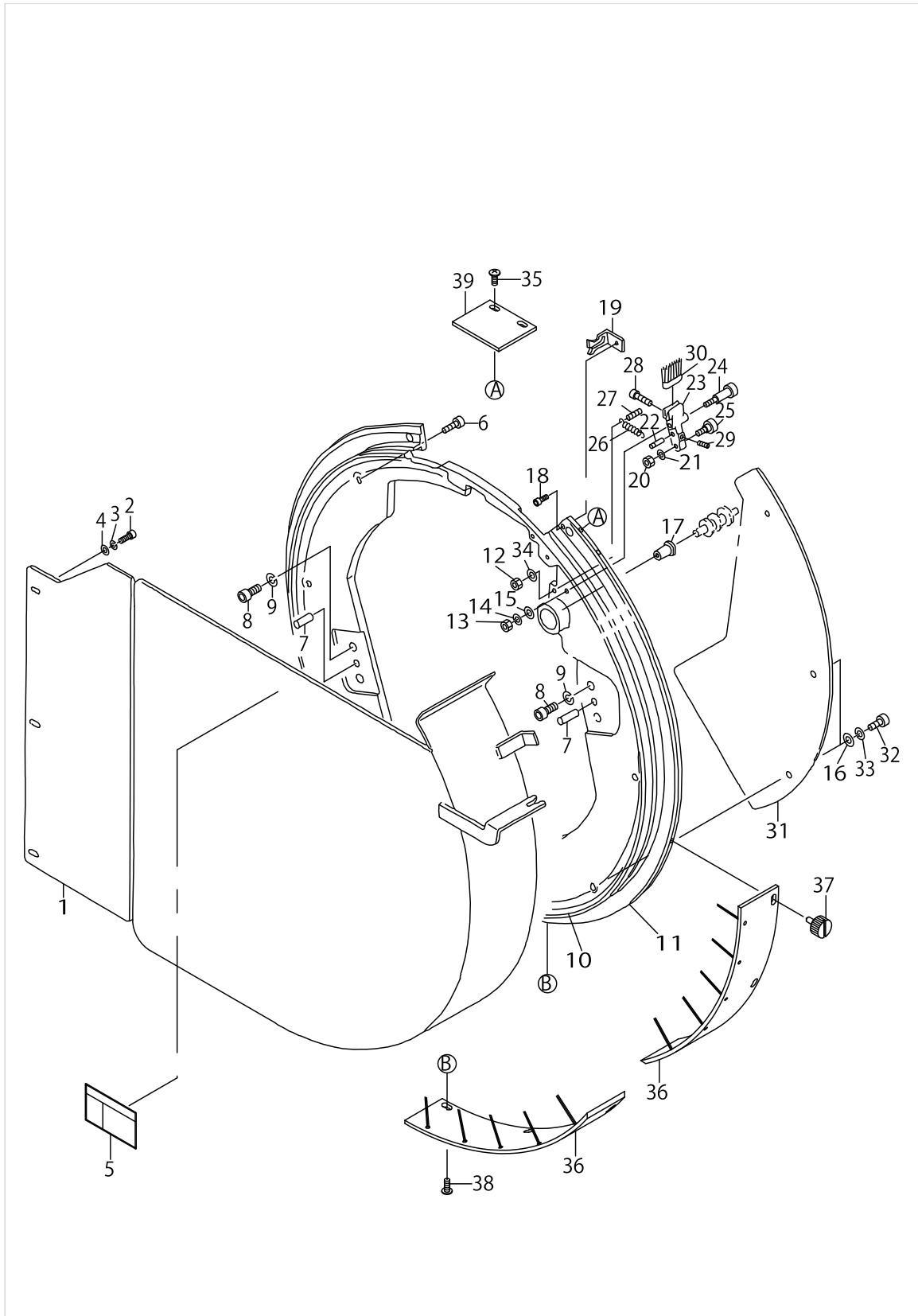
LOWER NEEDLE BAR COMPONENTS



LOWER NEEDLE BAR COMPONENTS

No.	Supply Code	Parts No.	Replacement	Parts name	Remarks	Choice	Step	Level	Cons	Qty	Rep. QTY
47		WP0621016SH		WASHER						1	

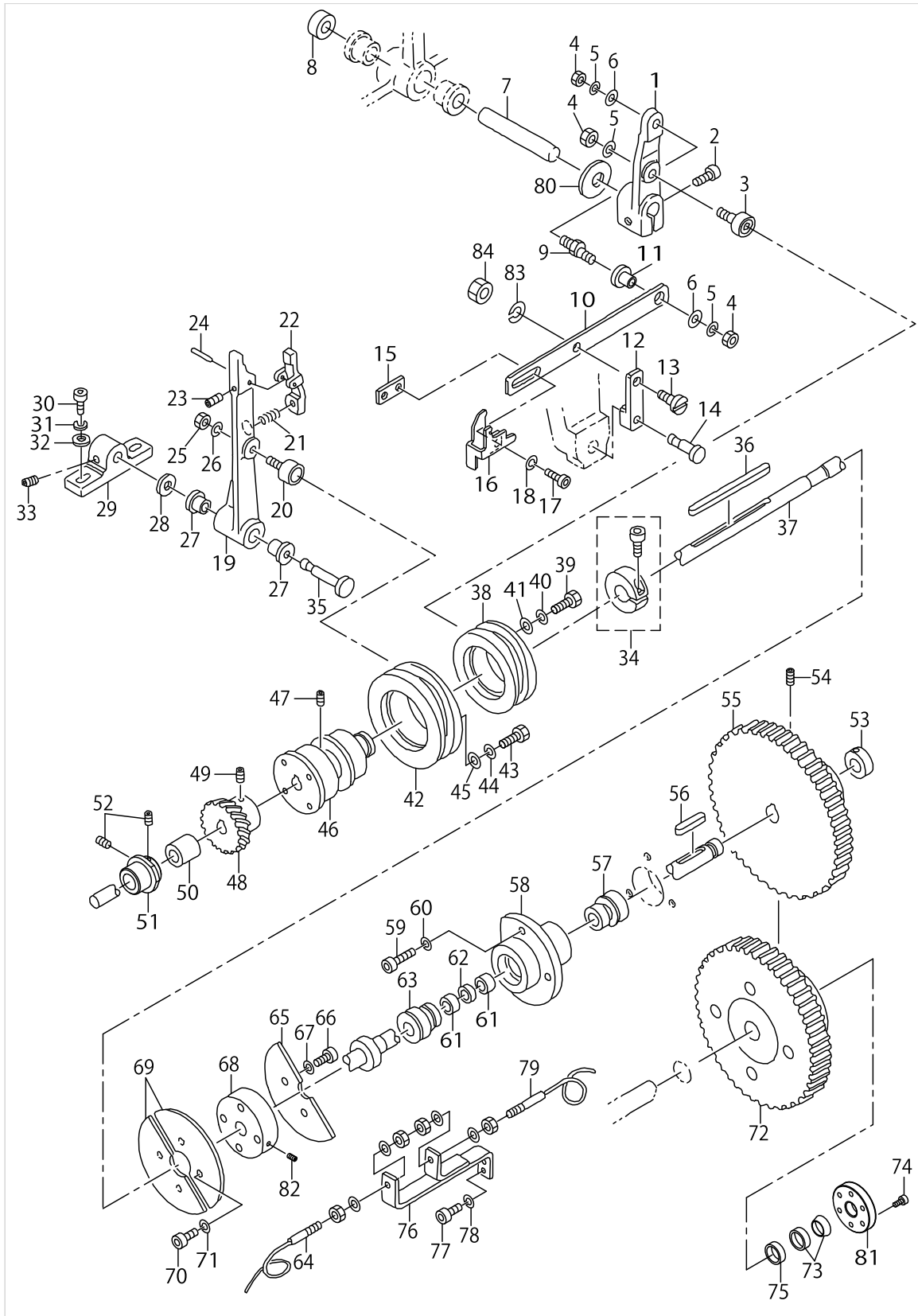
DRUM COMPONENTS



DRUM COMPONENTS

No.	Supply Code	Parts No.	Replacement	Parts name	Remarks	Choice	Step	Level	Cons	Qty	Rep. QTY
1		25165002		DRUM COVER,C						1	
2		SM6051202TP		SCREW M5X0.8 L=12						3	
3		WS0510002KN		SPRING WASHER						3	
4		WP0531001SC		WASHER						3	
5		CM300200202		SAFETY LABEL 2 (LARGE)						1	
6		SM6082502TP		SCREW M8 L=25						1	
7		16712507		PIN						2	
8		SM6083002TP		SCREW M8 L=30						4	
9		WS0820002KN		SPRING WASHER M8						4	
10		25219304		DRUM,INNER						1	
11	D	25250309		DRUM,OUTER						1	
12		NM6040001SC		NUT M4						1	
13		NM6050001SC		NUT M5						1	
14		WS0510002KN		SPRING WASHER						1	
15		WP0531001SC		WASHER						1	
16		WP0841601SC		WASHER 8.4X17.4X1.6						6	
17		16637308		BUSHING						1	
18		SM6030802TP		SCREW M3X0.5 L=8						1	
19	D	25220005		GUIDE BRACKET						1	
20		NM6050001SC		NUT M5						1	
21		WS0510002KN		SPRING WASHER						1	
22		16636706		ANCHOR						1	
23		25220609		BRUSH BRACKET,1						1	
24		25219700		PIN						1	
25		16713208		CAM FOLLOWER						1	
26		16878308		SPRING						1	
27		25239807		SPRING						1	
28		SM6031002TP		HEXAGONAL BOLT M3 X 10						2	
29		SM8030502TP		SCREW M3 L=5						1	
30		25241902		BRUSH						1	
31		25235102		DRUM COVER,B						1	
32		SM6083002TP		SCREW M8 L=30						6	
33		WS0820002KN		SPRING WASHER M8						6	
34		WP0430801SC		WASHER 4.3X9X0.8						1	
35		SM0041001SC		SCREW M4 L=10						2	
36	D	25240102		BRUSH						6	
37		25251406		SCREW						3	
38		SM0041001SC		SCREW M4 L=10						15	
39		25240003		PLATE						1	

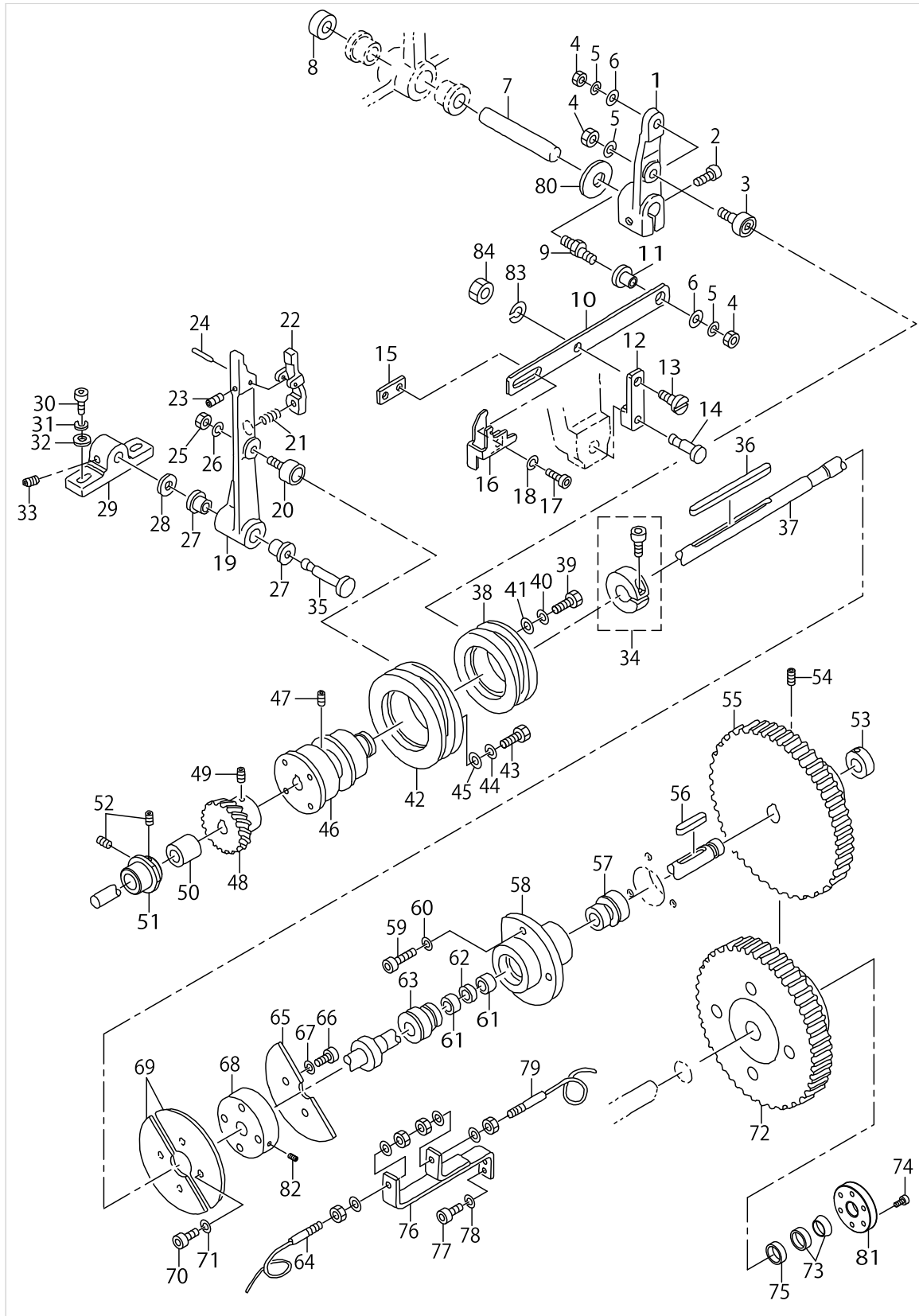
CYLINDRICAL CAM SHAFT COMPONENTS



CYLINDRICAL CAM SHAFT COMPONENTS

No.	Supply Code	Parts No.	Replacement	Parts name	Remarks	Choice	Step	Level	Cons	Qty	Rep. QTY
1		25244708		THREAD HAUL ARM						1	
2		SM6062002TP		SCREW M6 L=20						1	
3		25254509		CAM FOLLOWER						1	
4		NM6050001SC		NUT M5						3	
5		WS0510002KN		SPRING WASHER						3	
6		WP0531001SC		WASHER						2	
7		25244609		HAUL ARM PIN						1	
8	D	16711608		COLLAR						1	
9		25244302		THREAD HAUL CONNECTING PIN						1	
10		25244104		THREAD HAUL FITTING PLATE						1	
11	D	25244203		THREAD HAUL BUSHING						1	
12	D	25244500		LINK						1	
13	D	G5528340000A		LEVER STRUT						1	
14		25240508		LINK PIN,1						1	
15		16652117		HOLDING PLATE						1	
16	D	25230301		THREAD HAUL						1	
17		SM6030602TP		SCREW M3X0.5 L=6						1	
18		WS0310002KN		SPRING WASHER M3						1	
19		25221409		SWITCH-TYPELEVER						1	
20		25252909		CAM FOLLOWER						1	
21	D	25253907		SPRING						1	
22		25221508		SLIDE BLOCK PRESSER LEVER						1	
23		SM8040802TP		SCREW M4X8						1	
24	D	25253808		PARALLEL PIN						1	
25		NM6060001SC		NUT M6						1	
26		WS0610002KN		SPRING WASHER 6.1X12.2X1.5						1	
27		16629503		BUSHING						2	
28		16710600		THRUST WASHER						1	
29		25221607		FULCRUM BASIS						1	
30		SM6062502TP		SCREW M6 L=25						2	
31		WS0610002KN		SPRING WASHER 6.1X12.2X1.5						2	
32		WP0641601SC		WASHER						2	
33		SM8060602TP		SCREW M6X6						1	
34		16711400		SLIT COLLAR						1	
35		16641508		PIVOT PIN						1	
36		16714206		KEY						1	
37		25220104		SHAFT						1	
38		25244906		THREAD HAUL CAM						1	
39		SM9051603SD		BOLT M5X0.8 L=16						4	
40		WS0510002KN		SPRING WASHER						4	
41		16638108		WASHER						4	
42		16637902		CYLINDER CAM						1	
43		SM9051603SD		BOLT M5X0.8 L=16						4	
44		WS0510002KN		SPRING WASHER						4	
45		16638108		WASHER						4	
46		16637803		BOSS						1	

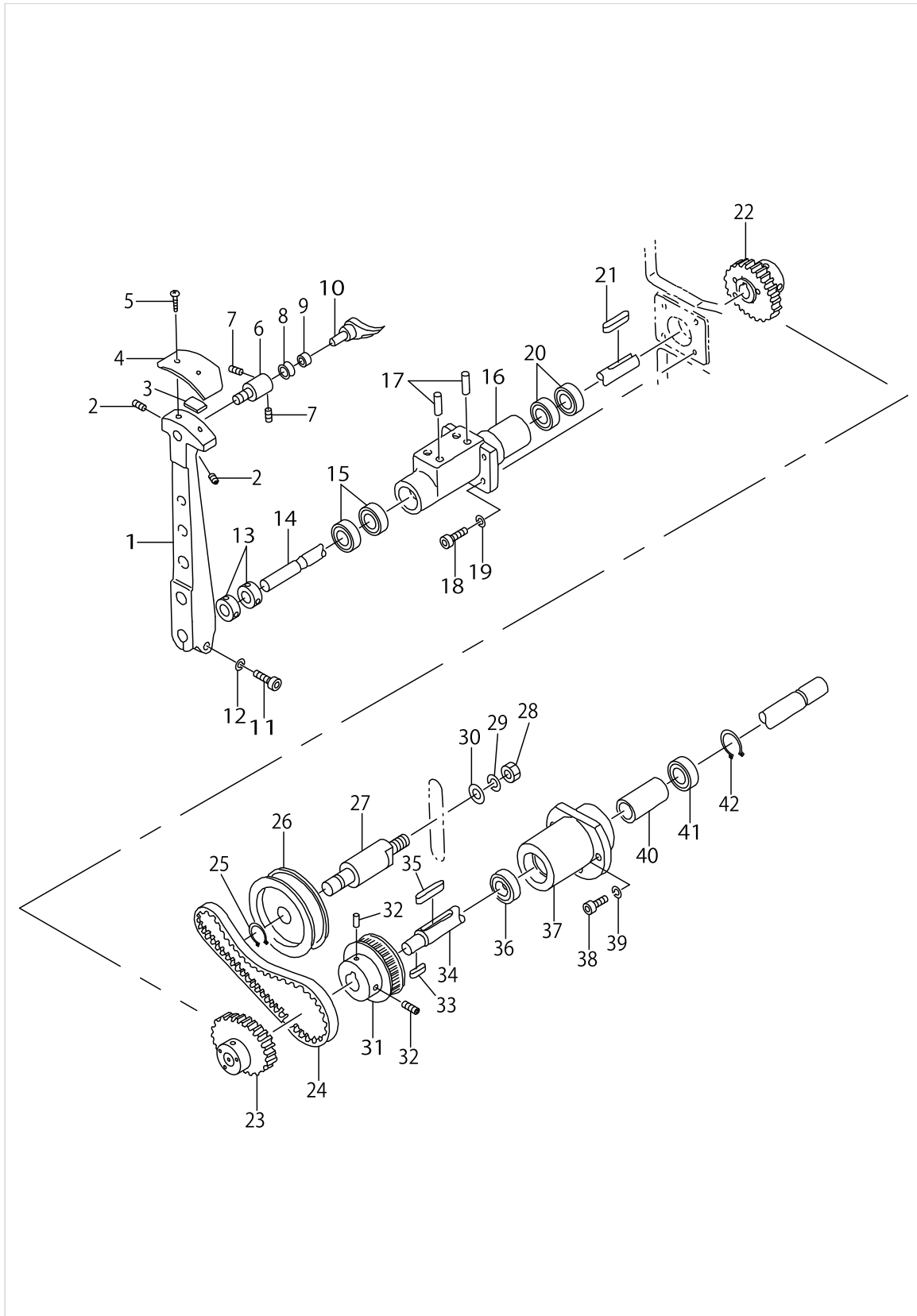
CYLINDRICAL CAM SHAFT COMPONENTS



CYLINDRICAL CAM SHAFT COMPONENTS

No.	Supply Code	Parts No.	Replacement	Parts name	Remarks	Choice	Step	Level	Cons	Qty	Rep. QTY
47		SS8660612TP		SCREW 1/4-40 L=6						1	
48	D	16637704		GEAR 2						1	
49		SM8050602TP		SCREW M5 L=6						1	
50		16795007		POSITIONING COLLAR						1	
51		25219510		CAM						1	
52		SM8050602TP		SCREW M5 L=6						2	
53		16711301		COLLAR						1	
54		SM8050602TP		SCREW M5 L=6						1	
55		16626400		FLAT GEAR D						1	
56		16714305		KEY						1	
57		16710204		NEEDLE BEARING						1	
58		16626202		BEARING CASE						1	
59		SM6051802TP		SCREW M5 L=18						3	
60		WS0510002KN		SPRING WASHER						3	
61		16710907		COLLAR						2	
62		16711004		COLLAR						1	
63		16710204		NEEDLE BEARING						1	
64		25210550		NS-2 CABLE ASM.						1	
65		16638405		INSTRUCTIONS PLATE 2						1	
66		SM6040802TP		SCREW M4X0.7 L=8						2	
67		WS0410002KN		SPRING WASHER						2	
68		16638306		INSTRUCTIONS DRUM						1	
69		16638207		INSTRUCTIONS PLATE 1						2	
70		SM6040802TP		SCREW M4X0.7 L=8						4	
71		WS0410002KN		SPRING WASHER						4	
72		25249855		72T GEAR ASM.						1	
73		25251505		POWER LOCK						1	
74		SM6042002TP		SCREW M4X0.7 L=20						6	
75		25250408		SLEEVE						1	
76		16629107		SENSOR BRACKET						1	
77		SM6051552TP		SCREW M5 L=15						2	
78		WS0510002KN		SPRING WASHER						2	
79		25210451		NS-1 CABLE ASM.						1	
80		16710600		THRUST WASHER						1	
81		25250507		FRANGE						1	
82		SM8040802TP		SCREW M4X8						2	
83		WS0510002KN		SPRING WASHER						1	
84		NM6050003SC		NUT M5X0.8						1	

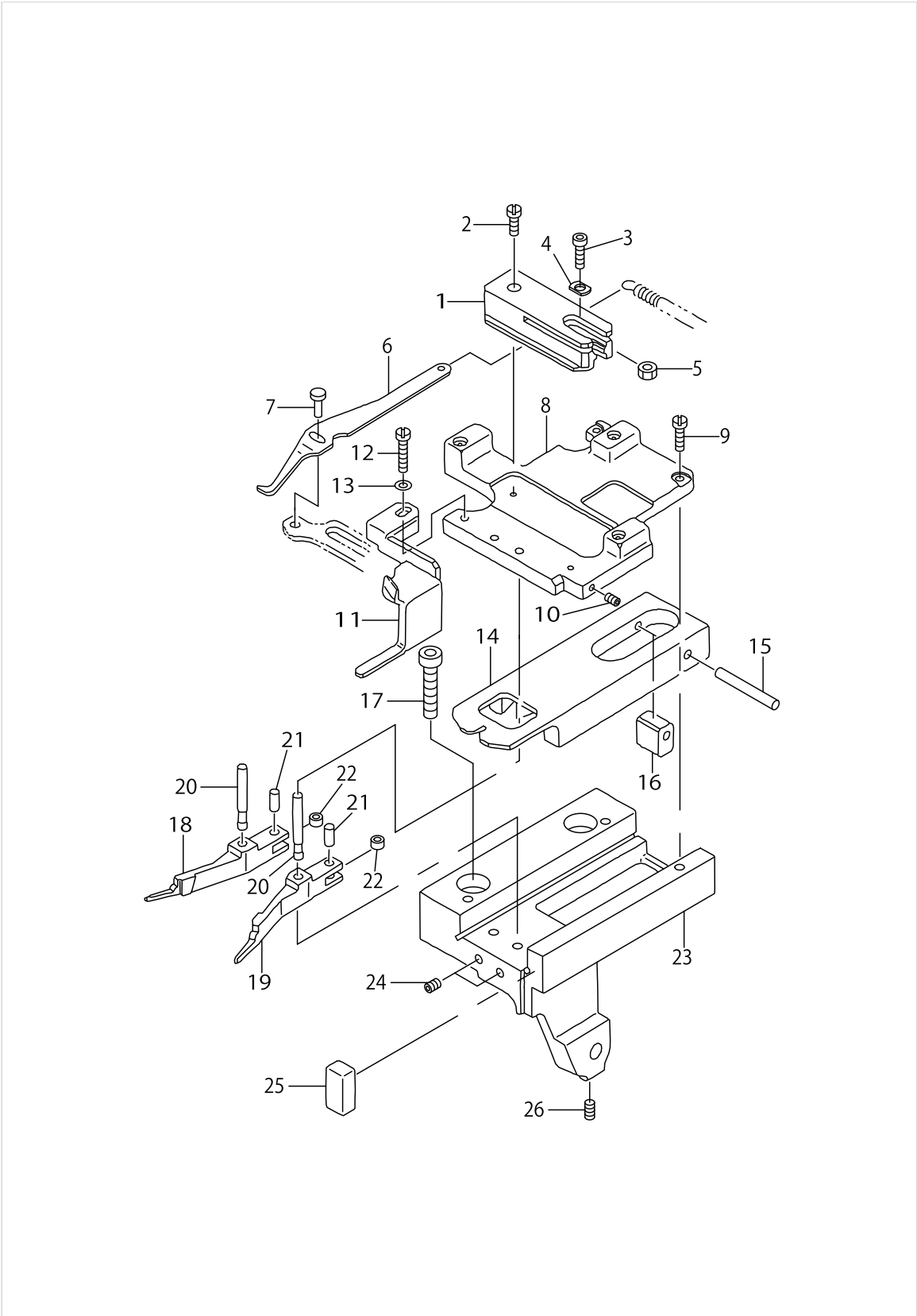
LOWER LOOPER COMPONENTS



LOWER LOOPER COMPONENTS

No.	Supply Code	Parts No.	Replacement	Parts name	Remarks	Choice	Step	Level	Cons	Qty	Rep. QTY
1		25221102		LOWER LOOPER ARM						1	
2		SM8050812TP		SCREW M5X8						2	
3		16811705		SPACER						1	
4		16639106		GUIDE PLATE						1	
5		SM0040601SC		SCREW M4X0.7 L=6						2	
6		25242009		ECCENTRIC PIN						1	
7		SM8040502TP		SCREW M4X0.7 L=5						2	
8	D	25242108		LOWER LOOPER ROLLER						1	
9	D	16710501		BEARING						1	
10	D	16639403		LOWER LOOPER						1	
11		SM6083002TP		SCREW M8 L=30						1	
12		WP0841601SC		WASHER 8.4X17.4X1.6						1	
13		16711202		COLLAR						2	
14		25221003		LOWER LOOPER SHAFT						1	
15		SB115000400		RADIAL BEARING						2	
16		25221201		BEARING CASE						1	
17		16712507		PIN						2	
18		SM6063002TP		SCREW M6 L=30						4	
19		WS0610002KN		SPRING WASHER 6.1X12.2X1.5						4	
20		SB115000400		RADIAL BEARING						2	
21		25251901		KEY						1	
22	R	25247859	25166406	ELLIPES GEAR B ASM.		A				1	1.00
22	R	25247859	SM8080882TP	ELLIPES GEAR B ASM.		A				1	2.00
23	R	25247651	25166307	ELLIPES GEAR A ASM.		A				1	1.00
23	R	25247651	SM8080882TP	ELLIPES GEAR A ASM.		A				1	2.00
24	D	25254707		TIMING BELT						1	
25		RC1200001KP		C-SHAPED SNAP RING						1	
26	D	25254905		IDLER PULLEY						1	
27		25215708		IDLER SHAFT						1	
28		NM6080001SC		NUT M8X1.25						1	
29		WS0820002KN		SPRING WASHER M8						1	
30		WP0841601SC		WASHER 8.4X17.4X1.6						1	
31		25216409		TIMING PULLEY,2						1	
32		SM8050802TP		SCREW M5X0.8 L=8						2	
33		25252107		KEY						1	
34		25239609		GEAR SHAFT,A						1	
35		25252206		KEY						1	
36		SB115000400		RADIAL BEARING						1	
37		25216201		BEARING CASE						1	
38		SM6051802TP		SCREW M5 L=18						3	
39		WS0510002KN		SPRING WASHER						3	
40		25215807		BEARING COLLAR						1	
41		SB115000400		RADIAL BEARING						1	
42		RC0150001KP		RETAINING RING 13.8						1	

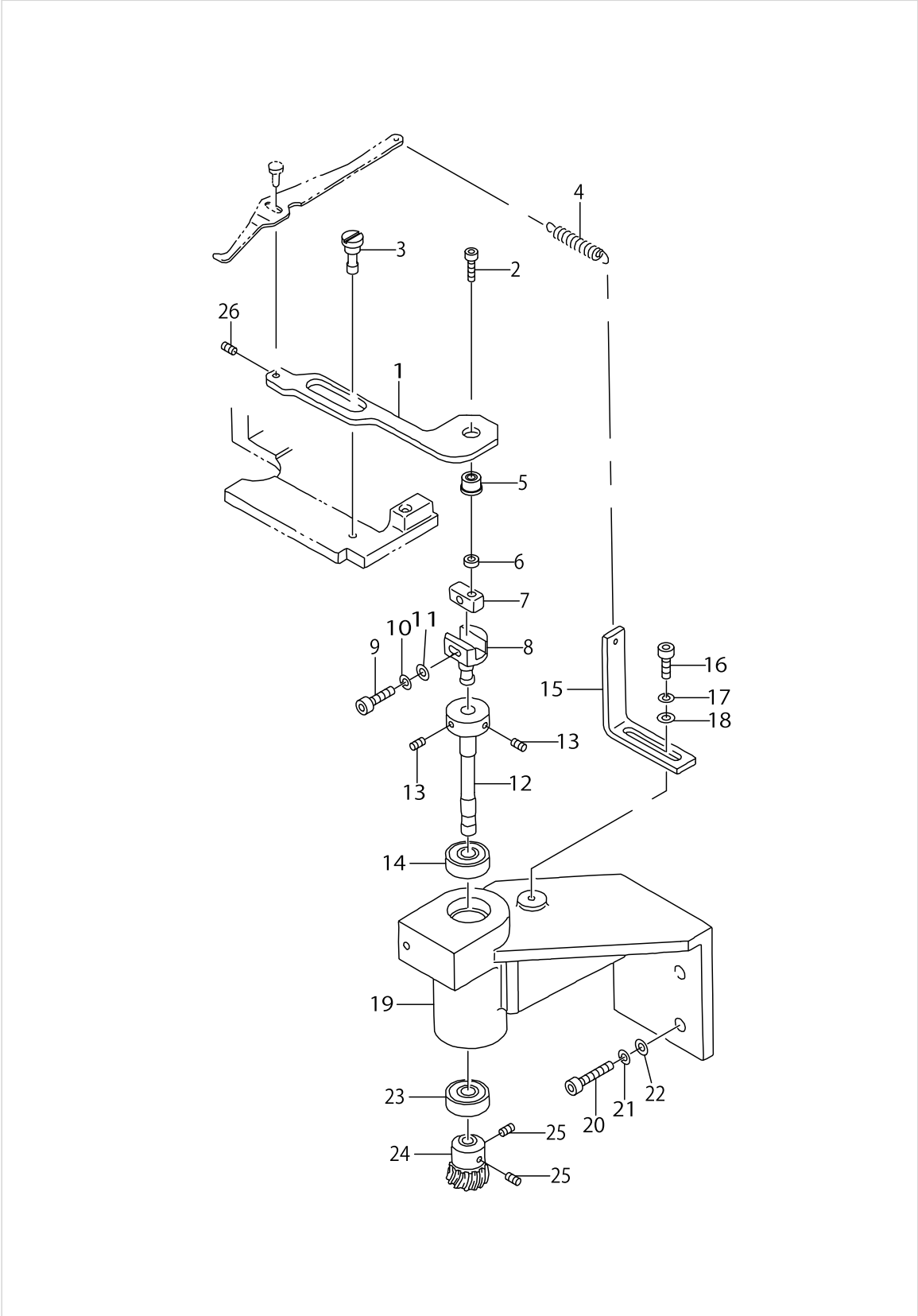
HOOK & NEEDLE GRASP COMPONENTS



HOOK & NEEDLE GRASP COMPONENTS

No.	Supply Code	Parts No.	Replacement	Parts name	Remarks	Choice	Step	Level	Cons	Qty	Rep. QTY
1		16642407		GUIDE PLATE						1	
2		SS6121010SP		SCREW 3/16-28 L=10						1	
3		SM6040602TP		SCREW M4 L=6						1	
4		16642506		GUIDE WASHER						1	
5		NM6040001SC		NUT M4						1	
6		16642613		HOOK PLATE						1	
7		16642704		PIN						1	
8		16642217		BLOCK COVER						1	
9	R	SS7111410SP	SS7111410TP	SCREW11/64-40L=14						2	1.00
10		SM8040802TP		SCREW M4X8						1	
11	D	25222803		THREAD GUIDE						1	
12	R	SS7111410SP	SS7111410TP	SCREW11/64-40L=14						1	1.00
13		WP0531001SC		WASHER						1	
14		16641029		SLIDE BLOCK						1	
15	D	16641102		BLOCK PIN						1	
16	D	25221904		SWITCH-TYPE SLIDE BLOCK						1	
17		SM6082002TN		SCREW M8 L=20						2	
18		25221706		PAWL,1						1	
19		25221805		PAWL,2						1	
20	D	16640500		PIN						2	
21		16640807		ROLLER PIN						2	
22		16640914		ROLLER						2	
23		25244005		SLIDE CASE						1	
24		SM8040502TP		SCREW M4X0.7 L=5						2	
25		25244807		RUBBER						1	
26		SM8050602TP		SCREW M5 L=6						1	

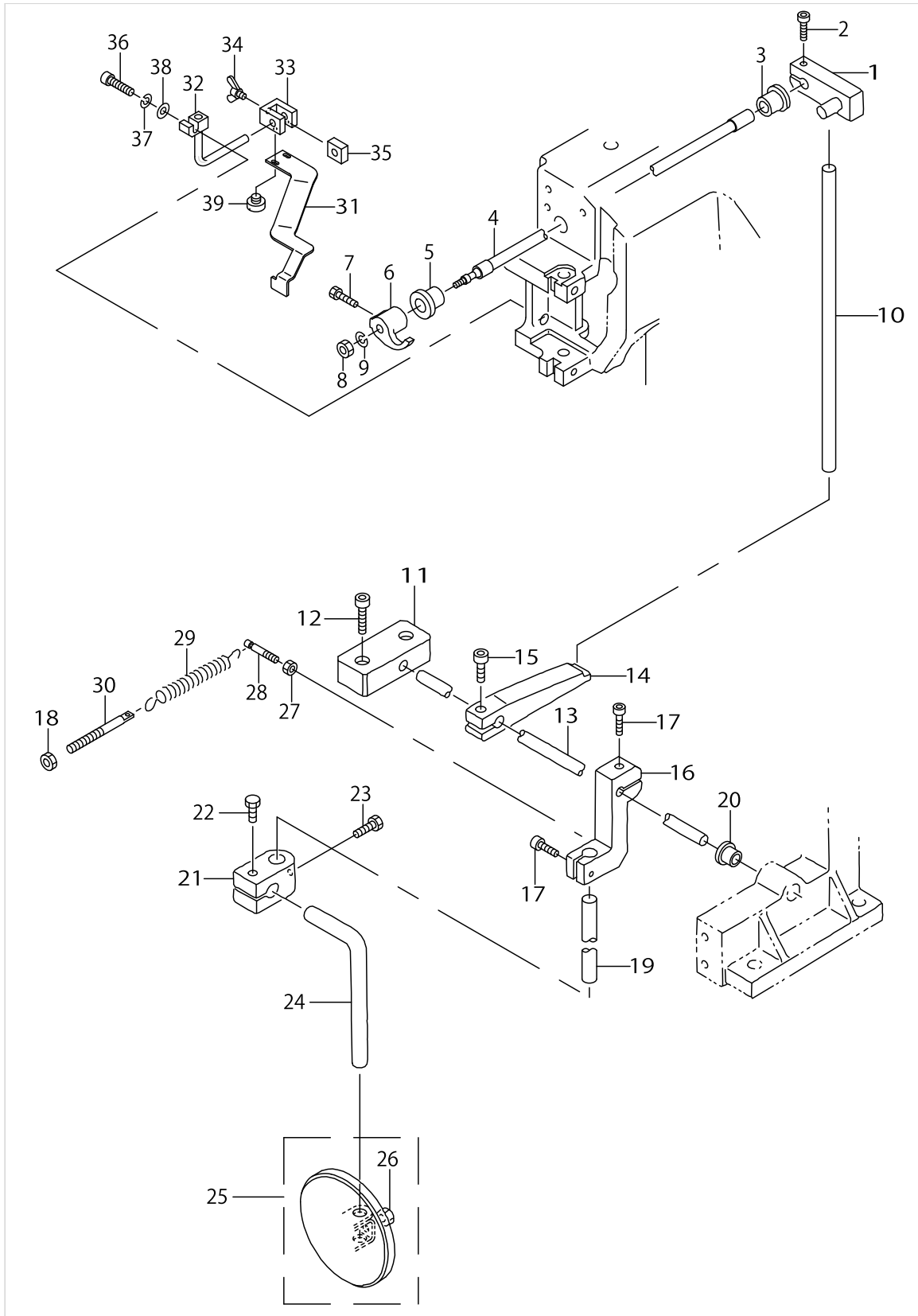
HOOK COMPONENTS



HOOK COMPONENTS

No.	Supply Code	Parts No.	Replacement	Parts name	Remarks	Choice	Step	Level	Cons	Qty	Rep. QTY
1	D	16642811		LEVER						1	
2		SM6051002TP		SCREW M5X0.8 L=10						1	
3		16643009		ECCENTRIC PIN						1	
4		16643504		SPRING						1	
5		SB105000300		BALL BEARING						1	
6		25222704		COLLAR						1	
7	D	25222605		KEY						1	
8		25222506		HOLDER						1	
9		SM6041002TP		SCREW M4 L=10						1	
10		WS0410002KN		SPRING WASHER						1	
11		WP0430801SC		WASHER 4.3X9X0.8						1	
12		25222407		ROTATING SHAFT						1	
13		SM8040802TP		SCREW M4X8						2	
14		16710808		BEARING						1	
15		16643603		SPRINGSUSPENSION						1	
16		SM6051202TP		SCREW M5X0.8 L=12						1	
17		WS0510002KN		SPRING WASHER						1	
18		WP0531001SC		WASHER						1	
19		16643405		BRACKET						1	
20		SM6062002TP		SCREW M6 L=20						1	
21		WS0610002KN		SPRING WASHER 6.1X12.2X1.5						1	
22		WP0641601SC		WASHER						1	
23		16710808		BEARING						1	
24	D	16643306		GEAR 1						1	
25		SM8040502TP		SCREW M4X0.7 L=5						2	
26		SM8030502TP		SCREW M3 L=5						1	

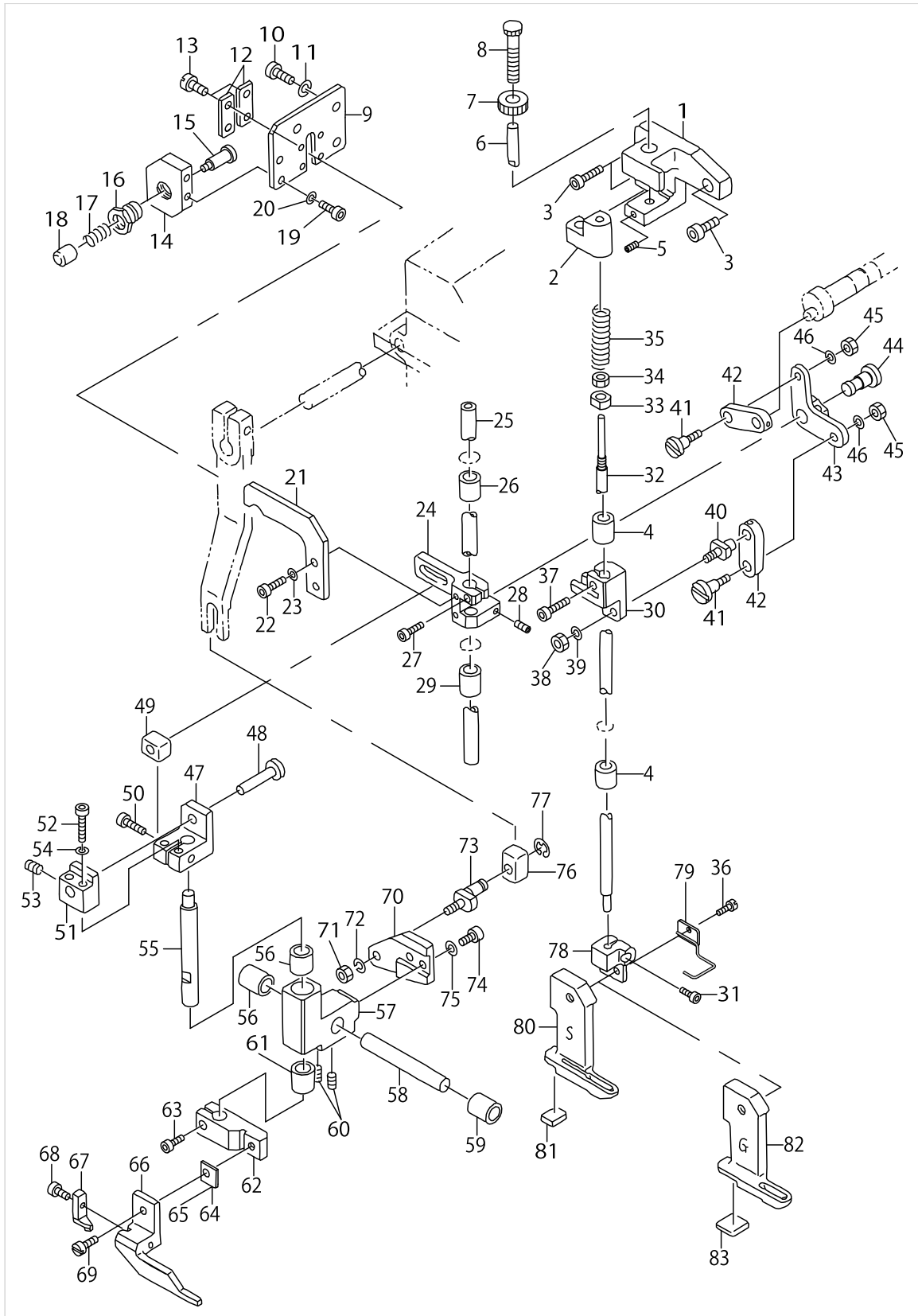
KNEE PRESS LIFTER & KOBA RULER COMPONENTS



KNEE PRESS LIFTER & KOBA RULER COMPONENTS

No.	Supply Code	Parts No.	Replacement	Parts name	Remarks	Choice	Step	Level	Cons	Qty	Rep. QTY
1		16645707		LEVER						1	
2		SM6061802TP		SCREW M6 L=18						1	
3		16628000		BUSHING						1	
4		16645608		KNEE LIFTER SHAFT						1	
5	D	16628505		BUSHING						1	
6		16645806		PAWL						1	
7		SS9111010SP		SCREW 11/64-40 L=9.5						1	
8		NM6060003SC		NUT M6						1	
9		WS0610002KN		SPRING WASHER 6.1X12.2X1.5						1	
10		25224106		CONNECTING SHAFT						1	
11		25224304		BLOCK						1	
12		SM6063002TP		SCREW M6 L=30						2	
13		25224205		KNEE LIFTER CONNECTING SHAFT						1	
14		25224007		KNEE LIFTER LEVER						1	
15		SM6051802TP		SCREW M5 L=18						1	
16		16646515		BRACKET						1	
17		SM6062002TP		SCREW M6 L=20						2	
18		NM6050001SC		NUT M5						1	
19		16646721		L SHAFT						1	
20		16628901		BUSHING						1	
21	R	11024502	22932453	KNEE PRESS LOD BEARING BRACKET						1	1.00
22		SS9182010SN		SCREW 9/32-20 L=20						1	
23		SS9182010SN		SCREW 9/32-20 L=20						1	
24	R	B3419122000	22934608	KNEE LIFTER PLATE ROD						1	1.00
25	R	16775850	22934251	KNEE PRESS PLATE ASM.						1	1.00
26		SM6051002TP		SCREW M5X0.8 L=10				*		1	
27		NM6050003SC		NUT M5X0.8						1	
28		16646606		ANCHOR A						1	
29		16647000		SPRING						1	
30		25253600		SPRING RACK						1	
31		25242504		KOBA RULER						1	
32		25222209		KOBA RULER BRACKET						1	
33		25226804		KABA RULER GUIDE						1	
34		25253501		BOLT M4X5L						1	
35		25226903		KOBA RULER GUIDE STOPPER						1	
36		SM6052002TP		SCREW M5 L=20						1	
37		WS0510002KN		SPRING WASHER						1	
38		WP0531001SC		WASHER						1	
39		SS6060440TP		SCREW 3/32-56 L=3.5						1	

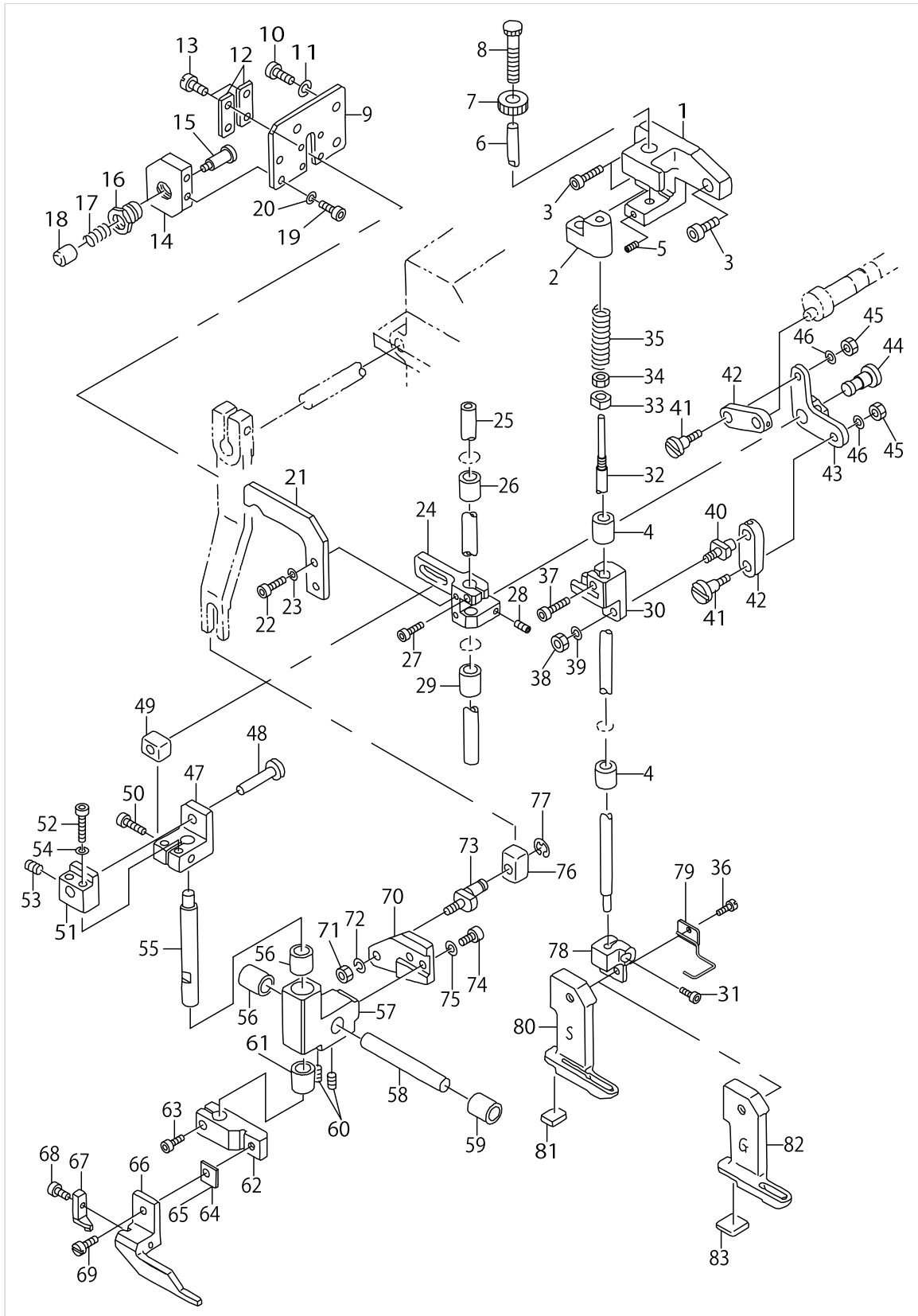
PRESSER FOOT COMPONENTS



PRESSER FOOT COMPONENTS

No.	Supply Code	Parts No.	Replacement	Parts name	Remarks	Choice	Step	Level	Cons	Qty	Rep. QTY
1		16660706		BRACKET						1	
2		16663908		SPRING PRESSER BLOCK						1	
3		SM6041202TP		SCREW M4X0.7 L=12						3	
4		16628703		BUSHING						2	
5	R	SS8110510SP	SS8110520TP	SCREW 11/64-40 L=5						1	1.00
6	D	16680704		PIN						1	
7		16680605		NUT						1	
8		16680506		ADJUSTING SCREW						1	
9		25246406		SIDE PLATE						1	
10		SM6041002TP		SCREW M4 L=10						3	
11		WS0410002KN		SPRING WASHER						3	
12		25246505		GUIDE PLATE						2	
13		SS6090810SP		SCREW 9/64-40 L=7.5						4	
14		25227208		LOCK PIN METAL						1	
15		16663007		STOPPER PIN						1	
16		16662900		SPRING HOLDER						1	
17	D	16663106		SPRING						1	
18	D	16663205		CAP						1	
19		SM6041002TP		SCREW M4 L=10						2	
20		WS0410002KN		SPRING WASHER						2	
21		25246307		ROCKING PLATE						1	
22		SM6041002TP		SCREW M4 L=10						2	
23		WS0410002KN		SPRING WASHER						2	
24		25245408		ROCKING BLOCK						1	
25		25245606		VERTICAL SHAFT,1						1	
26		25253402		BUSHING						1	
27		SM6041502TP		SCREW M4X0.7 L=15						1	
28		SM8040602TP		SCREW M4X0.7 L=6						1	
29		25253402		BUSHING						1	
30		25245309		BLOCK						1	
31		SM6041002TP		SCREW M4 L=10						1	
32		16663411		PRESSER SHAFT						1	
33		16663718		FIXING COLLAR						1	
34		25227604		NUT						1	
35		16663809		SPRING						1	
36		SS6080810SP		SCREW 1/8-44 L= 8.0						1	
37		SM6041502TP		SCREW M4X0.7 L=15						1	
38		NM6040003SC		NUT M4						1	
39		WS0410002KN		SPRING WASHER						1	
40		25228503		LINK PIN,1						1	
41		25241803		LINK PIN,5						2	
42		25228305		LINK,1						2	
43		25229907		L LINK,A						1	
44		25245507		L LINK PIN						1	
45		NM6040003SC		NUT M4						2	
46		WS0410002KN		SPRING WASHER						2	

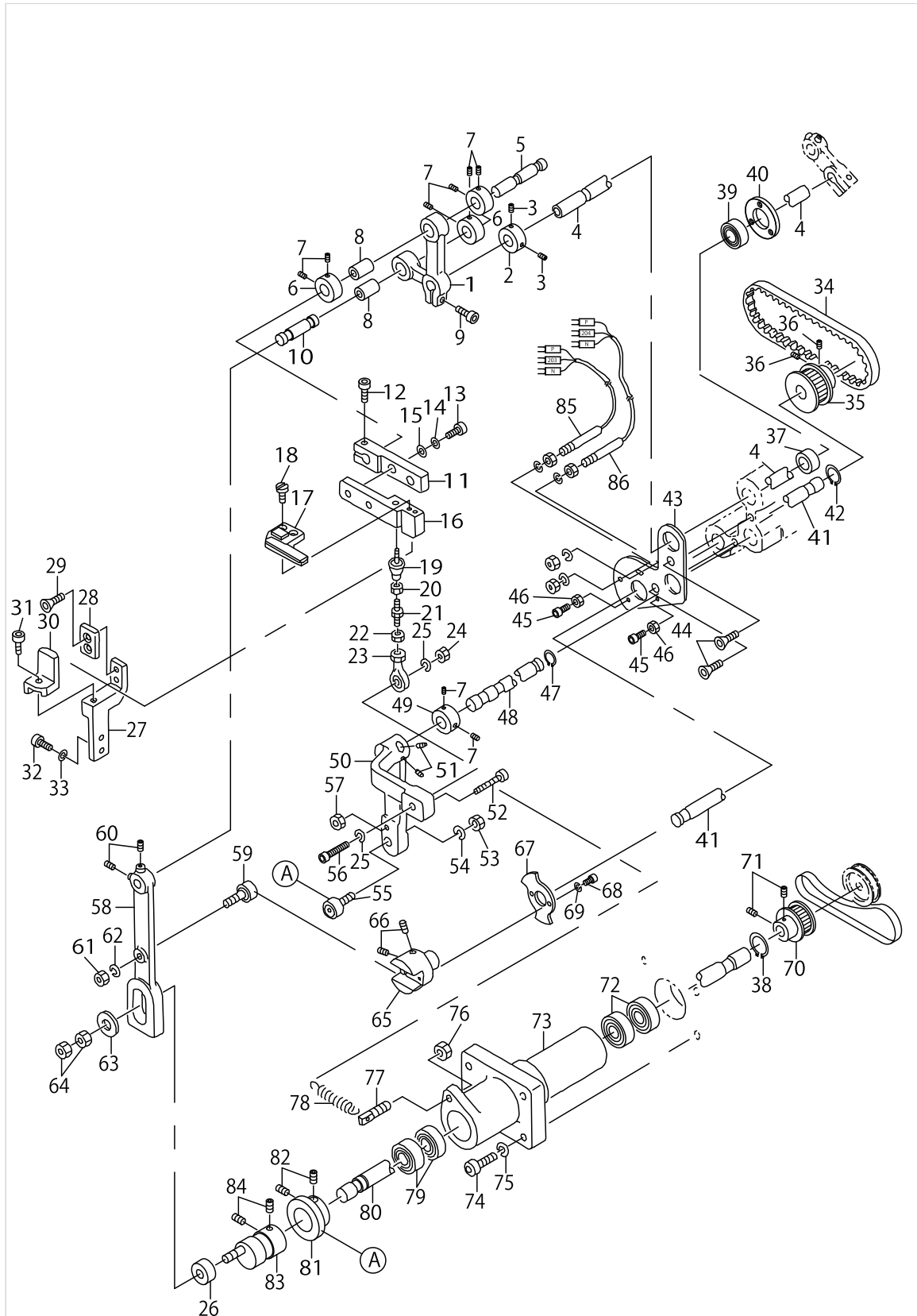
PRESSER FOOT COMPONENTS



PRESSER FOOT COMPONENTS

No.	Supply Code	Parts No.	Replacement	Parts name	Remarks	Choice	Step	Level	Cons	Qty	Rep. QTY
47		25245903		HOLDER METAL,1						1	
48		25246109		PIN						1	
49	D	25246000		CROSSFEED BLOCK						1	
50		SM6041502TP		SCREW M4X0.7 L=15						1	
51		25245705		HOLDER METAL						1	
52		SM6032002TP		SCREW M3X0.5 L=20						2	
53		SM8040602TP		SCREW M4X0.7 L=6						1	
54		WS0310002KN		SPRING WASHER M3						2	
55		25245804		VERTICAL SHAFT,2						1	
56		25253402		BUSHING						2	
57	D	25247008		FEED CASE						1	
58		25246901		SIDE SHAFT						1	
59		25253402		BUSHING						1	
60		SM8040602TP		SCREW M4X0.7 L=6						2	
61		25253402		BUSHING						1	
62		25246604		UPPER FEED FITTING LEVER						1	
63		SM6051202TP		SCREW M5X0.8 L=12						1	
64	D	25246703		UPPER FEED FITTING SHIM,1	SELECTIVE PART					1	
65	D	25246802		UPPER FEED FITTING SHIM,2	SELECTIVE PART					1	
66	D	25227901		UPPER FEED DOG ASM.						1	
67		25228008		INSIDE FEED DOG ASM.						1	
68		SS6081210SP		SCREW 1/8-44 L=12						1	
69	R	SS7111120SP	SS7111120TP	SCREW 11/64-40 L=10.5						1	1.00
70		25247206		PLATE						1	
71		NM6040003SC		NUT M4						1	
72		WS0410002KN		SPRING WASHER						1	
73		25247305		SLIDE BLOCK PIN						1	
74		SM6041002TP		SCREW M4 L=10						2	
75		WS0410002KN		SPRING WASHER						2	
76	D	25247404		SLIDE BLOCK PIN						1	
77		RC0470611KP		RETAINING RING 4.7						1	
78	R	16669418	16669426	PRESSER FOOT HOLDER						1	1.00
79	D	25238007		FINGER GUARD						1	
80		25242900		PRESSER,STANDARD	SELECTIVE PART					1	
81		25243007		RUBBER,S	SELECTIVE PART					1	
82	D	25238106		PRESSER,GUSHI	SELECTIVE PART					1	
83	D	25239708		RUBBER,G	SELECTIVE PART					1	

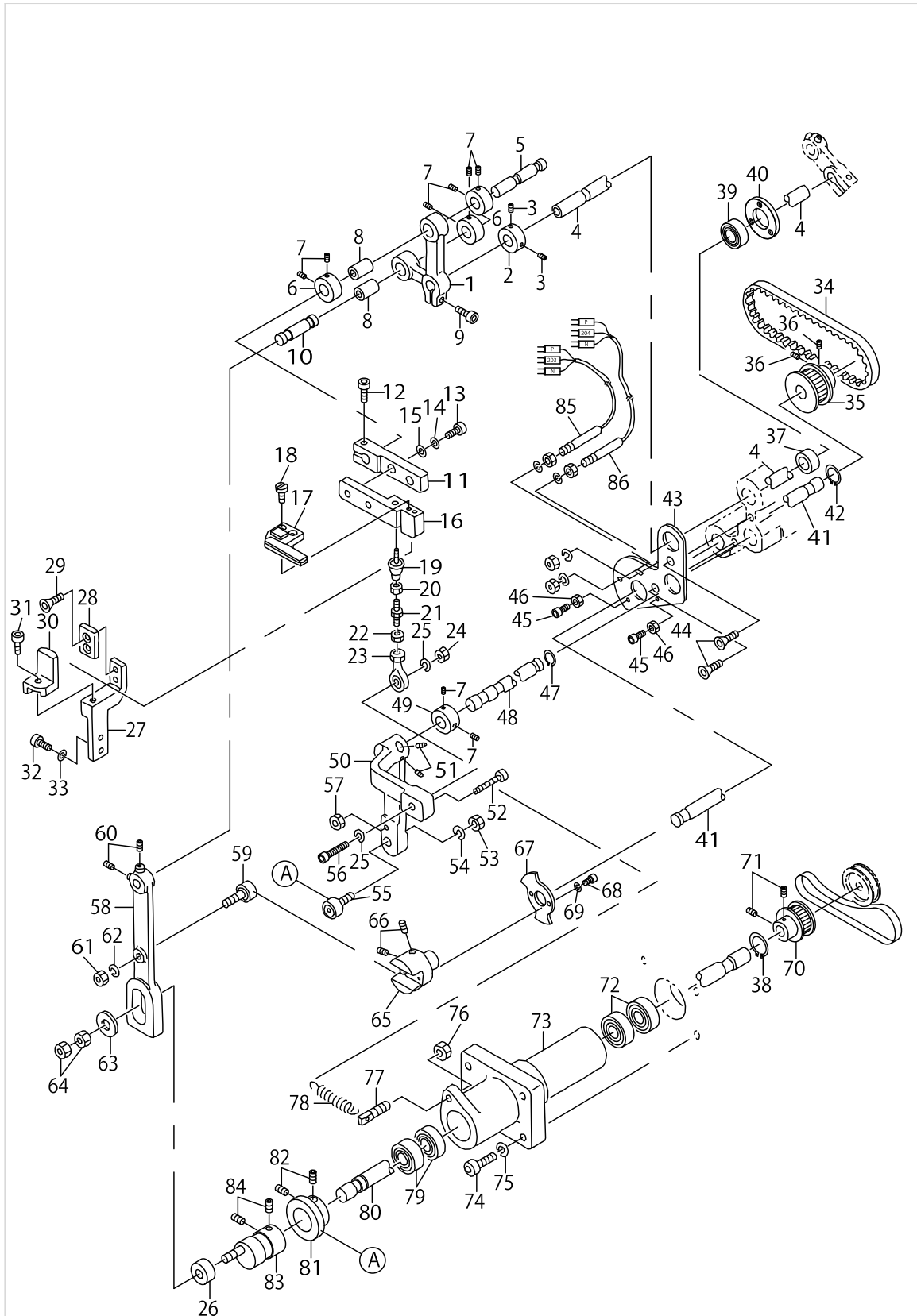
LOWER FEED COMPONENTS



LOWER FEED COMPONENTS

No.	Supply Code	Parts No.	Replacement	Parts name	Remarks	Choice	Step	Level	Cons	Qty	Rep. QTY
1		25230509		LOWER FEED ARM,2						1	
2	D	16711608		COLLAR						1	
3		SM8040502TP		SCREW M4X0.7 L=5						2	
4		25233115		CONNECTING SHAFT,LOWER						1	
5		25231002		ARM PIN,1						1	
6		16711509		COLLAR						3	
7		SM8040502TP		SCREW M4X0.7 L=5						8	
8		25253006		NEEDLE BEARING						2	
9		SM6061202TP		SCREW M6 L=12						1	
10		25231101		ARM PIN,2						1	
11		25230806		LOWERFEEDLEVER,2						1	
12		SM6051552TP		SCREW M5 L=15						1	
13		SM6051552TP		SCREW M5 L=15						2	
14		WS0510002KN		SPRING WASHER						2	
15		WP0531001SC		WASHER						2	
16		25230608		LOWERFEEDLEVER,A						1	
17		25231309		LOWER FEED DOG ASM.						1	
18		SS6090810SP		SCREW 9/64-40 L= 7.5						2	
19	D	16713703		LINK BALL						1	
20		NM6050003SC		NUT M5X0.8						1	
21		25231200		SHAFT						1	
22		NM6050550SD		NUT M5X0.8						1	
23	D	G5181340000		JOINT B						1	
24		NM6050003SC		NUT M5X0.8						1	
25		WS0510002KN		SPRING WASHER						2	
26	D	25252602		ROLLER FOLLOWER						1	
27		25231408		LOOSENESS PREVENTION,1						1	
28	D	25232505		LINER						1	
29		25152109		SCREW						2	
30	D	25231507		LOOSENESS PREVENTION,2						1	
31		SM6041002TP		SCREW M4 L=10						1	
32		SM6041802TP		SCREW M4 L=18						2	
33		WS0410002KN		SPRING WASHER						2	
34	D	25253709		TIMING BELT						1	
35		25223405		TIMING PULLEY						1	
36		SM8050602TP		SCREW M5 L=6						2	
37	D	16711608		COLLAR						1	
38		RC1200001KP		C-SHAPED SNAP RING						1	
39		SB110000400		BALL BEARING						1	
40		25215609		BEARING PRESSER						1	
41		25231705		FULCRUM SHAFT						1	
42		RC0931011KP		RETAINING RING						1	
43		25223108		BEARING PRESSER PLATE						1	
44		25150509		SCREW						2	
45		SM6051202TP		SCREW M5X0.8 L=12						2	
46		NM6050001SC		NUT M5						2	

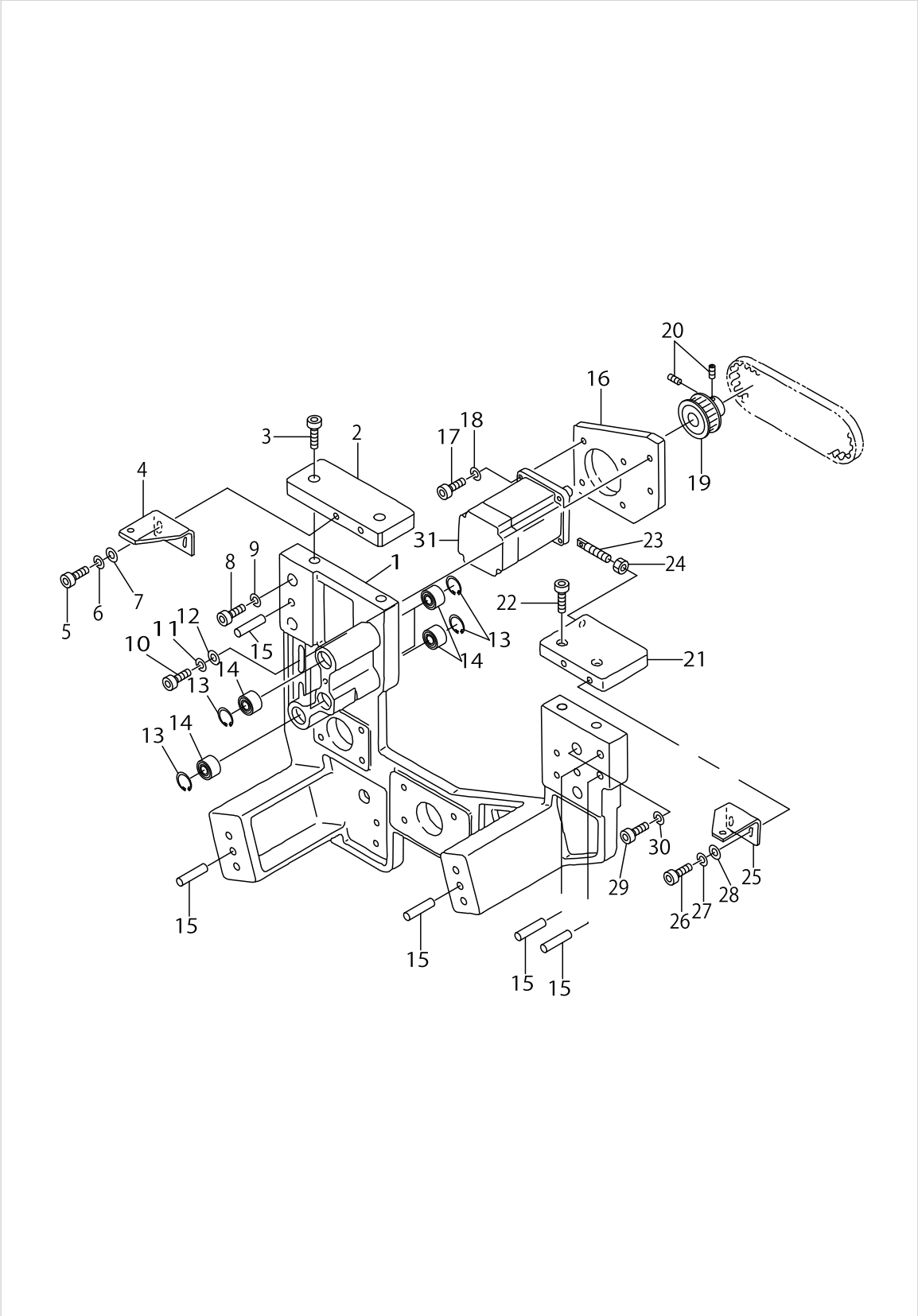
LOWER FEED COMPONENTS



LOWER FEED COMPONENTS

No.	Supply Code	Parts No.	Replacement	Parts name	Remarks	Choice	Step	Level	Cons	Qty	Rep. QTY
47		RC0931011KP		RETAINING RING						1	
48		25230905		ARM SHAFT,1						1	
49	D	16711608		COLLAR						1	
50		25230400		LOWER FEED ARM,1						1	
51		SM8050602TP		SCREW M5 L=6						2	
52		SM6062002TP		SCREW M6 L=20						1	
53		NM6060003SC		NUT M6						1	
54		WS0610002KN		SPRING WASHER 6.1X12.2X1.5						1	
55		16713307		CAM FOLLOWER						1	
56		SM6052502TP		SCREW M5X0.8 L=25						1	
57		NM6060003SC		NUT M6						1	
58		25231804		ROCKING LEVER						1	
59		25252909		CAM FOLLOWER						1	
60		SM8050602TP		SCREW M5 L=6						2	
61		NM6060003SC		NUT M6						1	
62		WS0610002KN		SPRING WASHER 6.1X12.2X1.5						1	
63		25232000		WASHER						1	
64		NM6060003SC		NUT M6						2	
65		25232406		ROTATING BOSS						1	
66		SM8051002TP		SCREW M5 L=10						2	
67		25231606		PLATE						1	
68		SM6041002TP		SCREW M4 L=10						2	
69		WS0410002KN		SPRING WASHER						2	
70		25216300		TIMING PULLEY,1						1	
71		SM8050602TP		SCREW M5 L=6						2	
72		SB112000200		BEARING						2	
73		25232208		BEARING BASE						1	
74		SM6062502TP		SCREW M6 L=25						4	
75		WS0610002KN		SPRING WASHER 6.1X12.2X1.5						4	
76		NM6060003SC		NUT M6						1	
77		25252800		POST						1	
78	D	16666406		SPRING						1	
79		SB112000200		BEARING						2	
80	D	25232109		LOWER FEED PULLEY SHAFT						1	
81		25232315		LOWER FEED VERTICAL CAM						1	
82		SM8050602TP		SCREW M5 L=6						2	
83		25231903		ECCENTRIC BOSS						1	
84		SM8050602TP		SCREW M5 L=6						2	
85		25210659		NS-3 CABLE ASM.						1	
86		25210758		NS-4 CABLE ASM.						1	

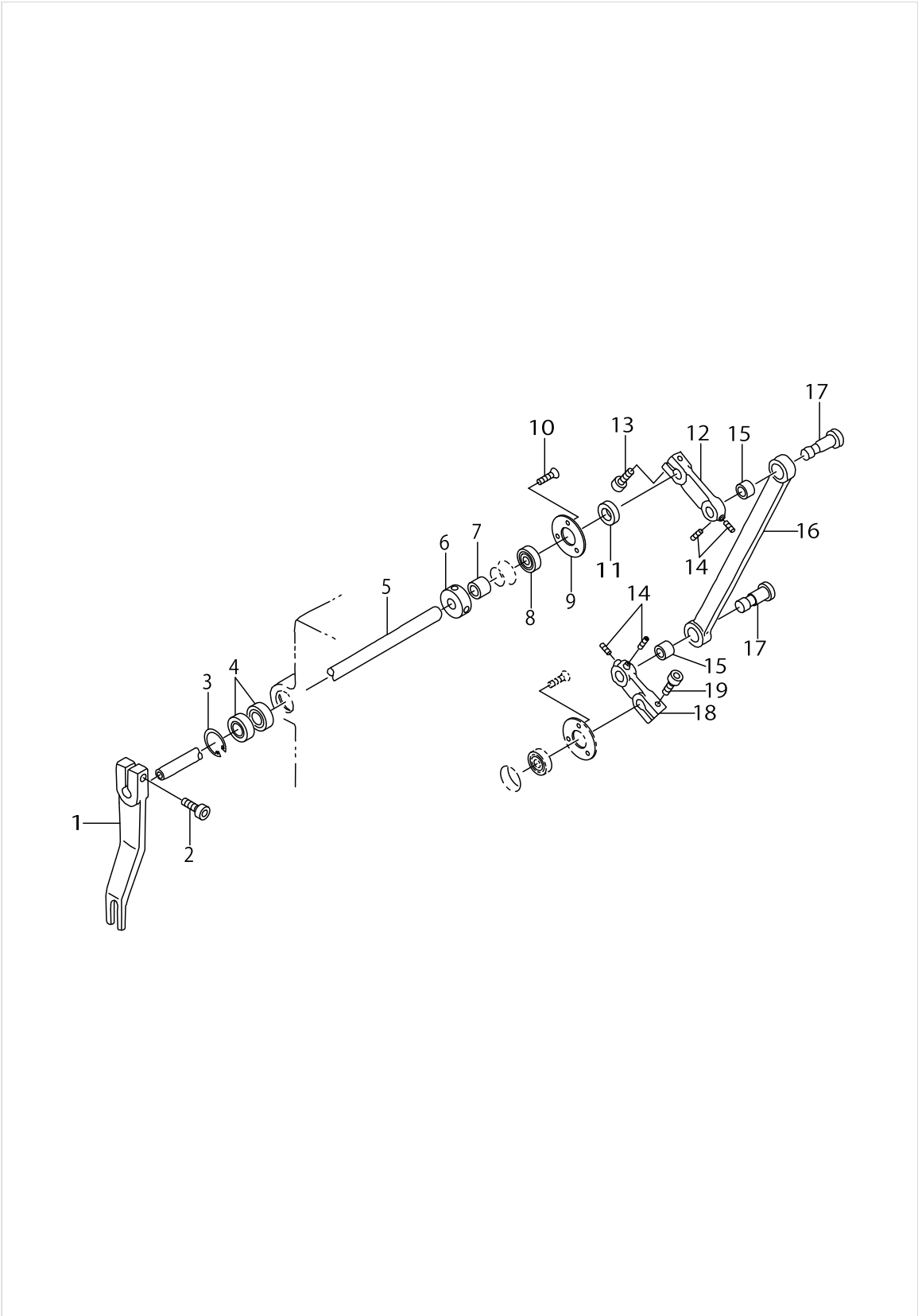
INTERMEDIATE PLATE & FEED CHANGE MOTOR COMPONENTS



INTERMEDIATE PLATE & FEED CHANGE MOTOR COMPONENTS

No.	Supply Code	Parts No.	Replacement	Parts name	Remarks	Choice	Step	Level	Cons	Qty	Rep. QTY
1		25222902		INTERMEDIATE PLATE						1	
2		25242306		FITTING BASIS,L						1	
3		SM6051002TP		SCREW M5X0.8 L=10						2	
4	D	25234501		COVER HOLDING,L						1	
5		SM6040802TP		SCREW M4X0.7 L=8						2	
6		WS0410002KN		SPRING WASHER						2	
7		WP0430801SC		WASHER 4.3X9X0.8						2	
8		SM6104002TP		SCREW						2	
9		WS1020002KN		SPRING WASHER M10						2	
10		SM6062002TP		SCREW M6 L=20						2	
11		WS0610002KN		SPRING WASHER 6.1X12.2X1.5						2	
12		WP0641601SC		WASHER						2	
13		RC2600002KP		C-SHAPED SNAP RING						6	
14		SB110000400		BALL BEARING						6	
15		16712408		PIN						4	
16		25223009		MOTOR PLATE						1	
17		SM6062002TP		SCREW M6 L=20						4	
18		WS0610002KN		SPRING WASHER 6.1X12.2X1.5						4	
19		25242405		TIMING PULLEY						1	
20		SM8050602TP		SCREW M5 L=6						2	
21		25242207		FITTING BASE,R						1	
22		SM6051202TP		SCREW M5X0.8 L=12						2	
23		25253600		SPRING RACK						1	
24		NM6050001SC		NUT M5						1	
25		25234402		COVER HOLDING,R						1	
26		SM6040802TP		SCREW M4X0.7 L=8						2	
27		WS0410002KN		SPRING WASHER						2	
28		WP0430801SC		WASHER 4.3X9X0.8						2	
29		SM6104002TP		SCREW						2	
30		WS1020002KN		SPRING WASHER M10						2	
31		25208851		PULSE MOTOR ASM.						1	

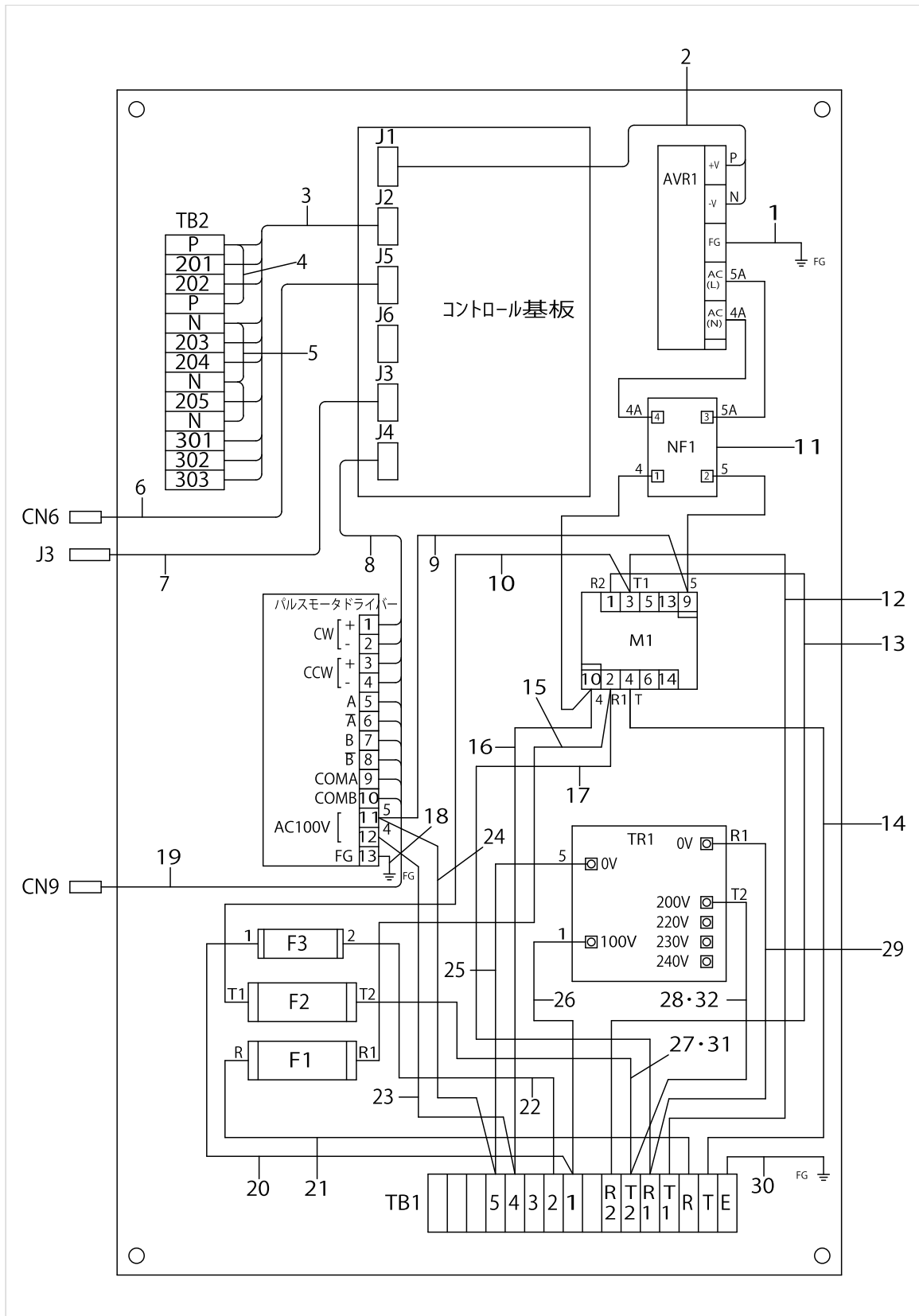
FEED CONNECTING COMPONENTS



FEED CONNECTING COMPONENTS

No.	Supply Code	Parts No.	Replacement	Parts name	Remarks	Choice	Step	Level	Cons	Qty	Rep. QTY
1		25247503		UPPER FEED LEVER						1	
2		SM6051552TP		SCREW M5 L=15						1	
3		RC0220001KP		C-TYPE SNAP RING						1	
4		16710303		BEARING						2	
5		25233016		CONNECTING SHAFT						1	
6	D	16711608		COLLAR						1	
7		25233206		CONNECTING SHAFT COLLAR,1						1	
8		SB110000400		BALL BEARING						1	
9		25215609		BEARING PRESSER						1	
10		25150103		BOLT						3	
11		25233305		CONNECTING SHAFT COLLAR,2						1	
12		25232703		COMMUNICATION LEVER,UPPER						1	
13		SM6051552TP		SCREW M5 L=15						1	
14		SM8040502TP		SCREW M4X0.7 L=5						4	
15		25252404		BUSHING						2	
16		25232604		COMMUNICATION LINK						1	
17		25232901		COMMUNICATION LINK PIN						2	
18		25232802		COMMUNICATION LEVER,LOWER						1	
19		SM6051552TP		SCREW M5 L=15						1	

TRANSMISSION COMPONENTS(1)



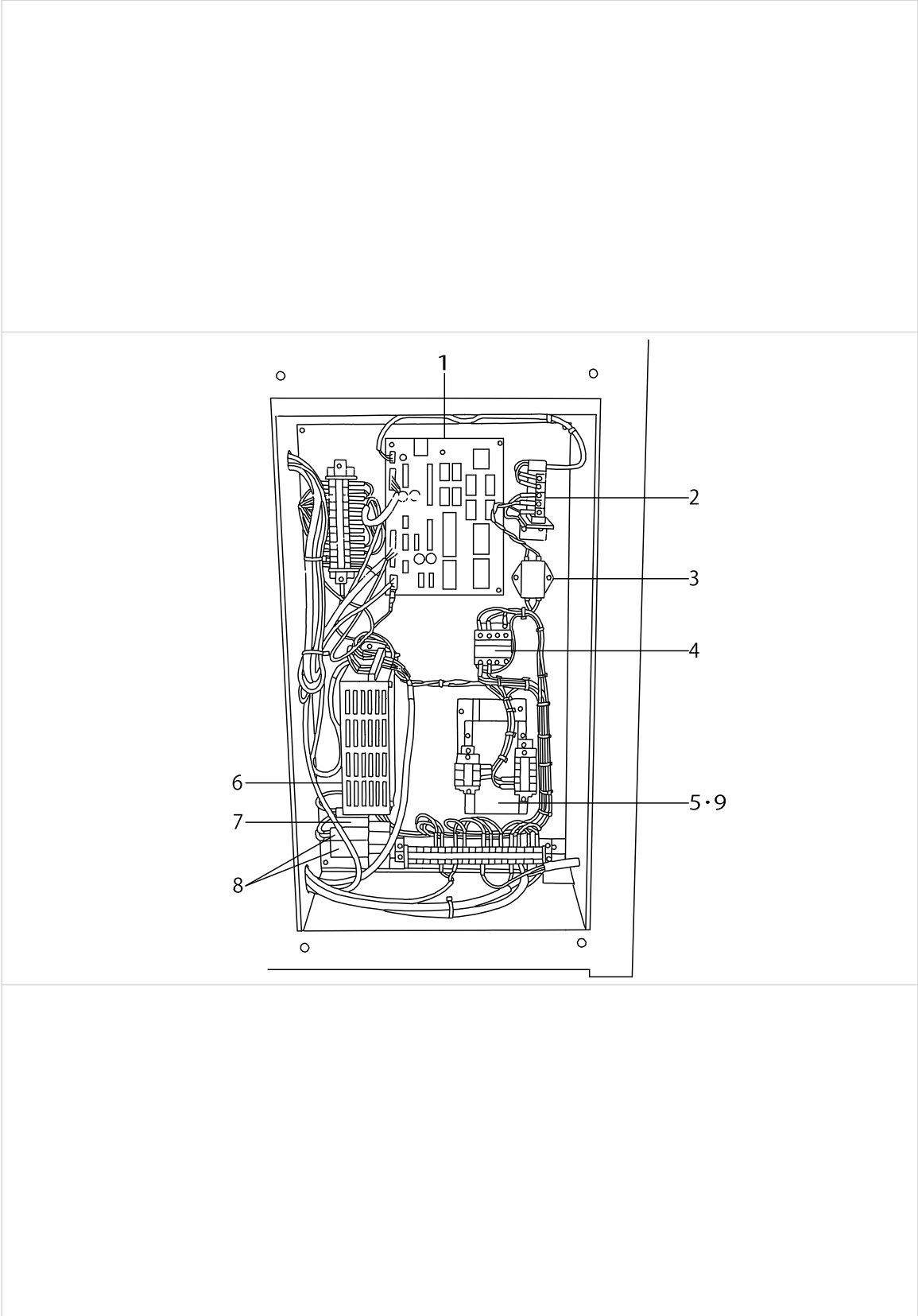
TRANSMISSION COMPONENTS(1)

No.	Supply Code	Parts No.	Replacement	Parts name	Remarks	Choice	Step	Level	Cons	Qty	Rep. QTY
1		25208158		FG CABLE ASM.,3						1	
2		25210352		CONTROL BASE POWER SOURCE ASM.						1	
3		25208455		INPUT CABLE ASM.						1	
4		25208554		TB-2 CABLE ASM.						1	
5		16552952		TB-2 PASSAGE CABLE ASM. 2						1	
6		25208653		PITCH TRIMMING CABLE ASM.						1	
7		16554156		OPERATION CABLE ASM.						1	
8		25208257		PULSE OUTPUT CABLE ASM.						1	
9		25206558		CABLE ASM.,2						1	
10		25207150		CABLE ASM.,8						1	
11		25207259		NOISE FILTER ASM.						1	
12		25207051		CABLE ASM.,7						1	
13		25206954		CABLE ASM.,6						1	
14		25206855		CABLE ASM.,5						1	
15		25206756		CABLE ASM.,4						1	
16		25206459		CABLE ASM.,1						1	
17		25206657		CABLE ASM.,3						1	
18		25208059		CABLE ASM.,2						1	
19		25208356		PULSE MOTOR CABLE ASM.						1	
20		25207754		FUSE HOLDER CABLE ASM.,3						1	
21		25207556		FUSE HOLDER CABLE ASM.,1						1	
22		25207853		FUSE HOLDER CABLE ASM.,4						1	
23		25207358		POWER SOURCE ASM.,1						1	
24		25207457		POWER SOURCE ASM.,2						1	
25		25209651		TRANSFORMER CABLE ASM.,4						1	
26		25209552		TRANSFORMER CABLE ASM.,3						1	
27		25207655		FUSE HOLDER CABLE ASM.,2						1	
28		25209453		TRANSFORMER CABLE ASM.,2						1	
29		25209354		TRANSFORMER CABLE ASM.,1						1	
30		25207952		FG CABLE ASM.,1						1	
31		25211053		CABLE ASM. FOR POWER SUPPLY	FOR 380,400,440V					1	
32		25211152		CABLE ASM. FOR TRANSFORMER	FOR 380,400,440V					1	

TRANSMISSION COMPONENTS(2)

No.	Supply Code	Parts No.	Replacement	Parts name	Remarks	Choice	Step	Level	Cons	Qty	Rep. QTY
1	D	16554552		PANEL CIRCUIT BOARD ASM.						1	
2		25208950		PITCH TRIMMING BOX ASM.						1	
3	R	16554453	16554461	CONTROL CIRCUIT BOARD ASM.						1	1.00
4		25210451		NS-1 CABLE ASM.						1	
5		25210550		NS-2 CABLE ASM.						1	
6		25210659		NS-3 CABLE ASM.						1	
7		25210758		NS-4 CABLE ASM.						1	
8		25209255		PB-5 CABLE ASM.,2						1	
9		25209156		PB-5 CABLE ASM.,1						1	
10		25208851		PULSE MOTOR ASM.						1	
11		25212507		PULSE MOTOR DRIVER						1	
12		25212705		SWITCHING POWER SUPPLY						1	
13		25207259		NOISE FILTER ASM.						1	
14	D	HA001630000		MAGNETIC CONTACTOR						1	
15		HF005111000		FUSE HOLDER						1	
16		25212606		TRANSFORMER						1	
17		GSY030060A0		SY-3 UNIT A						1	
18	D	GFL010050A0		FLS PSC BOX B ASM.						1	
19		M6130351AA0		AC SERVO MOTOR						1	
20	D	HF001501000		FUSE						1	
21		25213109		TRANSFORMER	FOR 380,400,440V					1	

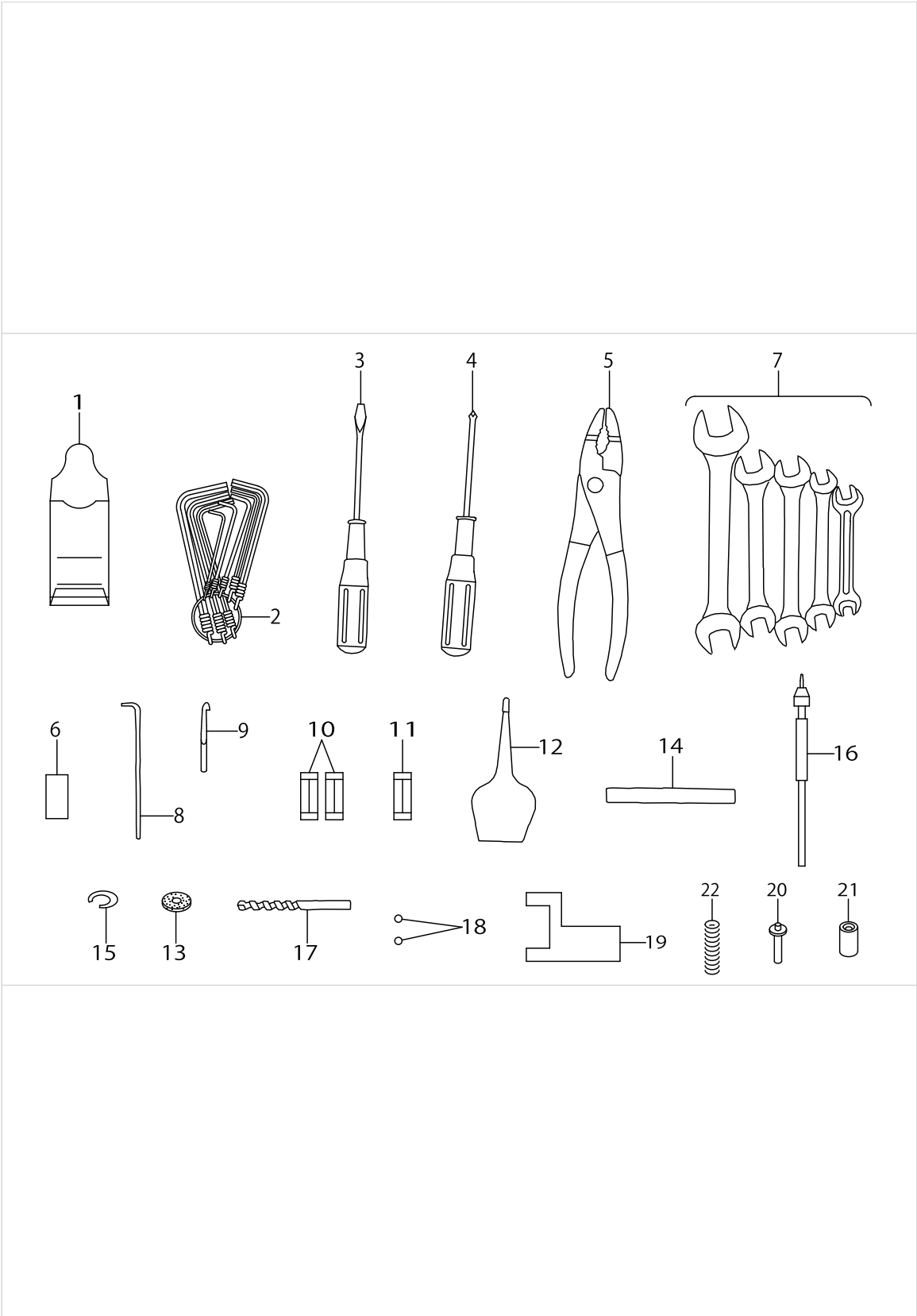
TRANSMISSION COMPONENTS(3)



TRANSMISSION COMPONENTS(3)

No.	Supply Code	Parts No.	Replacement	Parts name	Remarks	Choice	Step	Level	Cons	Qty	Rep. QTY
1	R	16554453	16554461	CONTROL CIRCUIT BOARD ASM.						1	1.00
2		25212705		SWITCHING POWER SUPPLY						1	
3		25207259		NOISE FILTER ASM.						1	
4	D	HA001630000		MAGNETIC CONTACTOR						1	
5		25212606		TRANSFORMER						1	
6		25212507		PULSE MOTOR DRIVER						1	
7		HF005111000		FUSE HOLDER						1	
8	D	HF001501000		FUSE						2	
9		25213109		TRANSFORMER	FOR 380,400,440V					1	

ACCESSORIES COMPONENTS



ACCESSORIES COMPONENTS

No.	Supply Code	Parts No.	Replacement	Parts name	Remarks	Choice	Step	Level	Cons	Qty	Rep. QTY
1		MDPN10C0000		NEEDLE DPN-1032B32						1	
2		G91011160A0		L-SHAPED WRENCH ASM.						1	
3	R	B9110012000	22933105	SCREW DRIVER, MIDDLE						1	1.00
4	D	G9119116000		DRIVER +						1	
5	D	G5701340000		PLIER						1	
6		25244807		RUBBER						1	
7		G91201160A0		SPANNER ASM.						1	
8		B9101490000		DRIVER						1	
9	D	16633406		THREADING NEEDLE						4	
10		HF001801000		FUSE 10A						2	
11	D	HF0012030P0		FUSE 3A 125V REF NO.112						1	
12		A9102062BA0		OILER WITH OIL						1	
13		16661704		RUBBER WASHER						4	
14		16681009		PIN						1	
15		G5513340000		RING						4	
16	D	G5704340000		THREADING HOLDER						1	
17		17779802		DRILL (D=0.3)						1	
18	D	G5542340000		STEEL BALL						2	
19	D	25227406		GAUGE						1	
20		25246208		PIN CAP						2	
21	R	25227307	25234105	NEEDLE HOLDER PIN						2	1.00
22	D	25248105		STOP SPRING						4	

HOW TO MAKE USE OF THIS PARTS LIST

1.As to "#01" and "#02" refer to the "Note" given at the bottom of the respective pages.

2.Codes on the "Qty" column

- Each numeral indicates the number of parts required.
- "0.1" and "2.5" indicate the length (in meters) of the respective parts.

3.Parentheses mean that the corresponding part is a subpart that constructs an assembly part.

4.Dotted lines on the Figures indicate assembly parts.

1. リストページの# 0 1、# 0 2の印は、ページ下の"注記"の説明を参照下さい。
2. 数量欄の数字は、個数を表し、0. 1、2. 5等の数値は、長さ（単位メートル）を表します。
3. 数量欄の（ ）は、組部品を構成している子部品であることを意味します。
4. イラストページの-----枠は、組構成であることを意味します。

NUMERICAL INDEX OF PARTS

PART NO	PAGE	REF NO.	PART NO	PAGE	REF NO.	PART NO	PAGE	REF NO.
11024502	44	21	16629800	18	58	16640914	40	22
11155801	2	6	16630204	18	56	16641029	40	14
11156007	2	5	16630303	16	36	16641102	40	15
11158805	14	69	16630709	16	37	16641508	34	35
11158904	14	70	16630808	16	39	16642217	40	8
11159001	14	77	16630907	16	44	16642407	40	1
11521903	6	29	16631004	18	48	16642506	40	4
13764352	8	69	16631111	18	75	16642613	40	6
16552952	58	5	16631202	18	79	16642704	40	7
16554156	58	7	16631301	18	80	16642811	42	1
16554453	60	3	16631400	18	73	16643009	42	3
16554453	62	1	16631509	18	72	16643306	42	24
16554552	6	28	16631608	18	74	16643405	42	19
16554552	60	1	16631707	18	69	16643504	42	4
16590200	6	18	16631814	18	68	16643603	42	15
16590309	6	19	16631939	18	81	16644601	14	81
16624603	12	12	16632010	18	70	16644700	14	55
16624900	12	17	16632119	18	85	16644809	14	54
16625006	12	24	16632200	18	82	16644908	14	47
16625105	12	22	16632309	18	84	16645004	14	52
16625204	12	27	16632408	18	87	16645103	14	50
16625303	12	29	16632606	22	8	16645202	12	35
16625402	12	4	16632903	22	12	16645301	12	41
16625501	12	6	16633000	22	11	16645400	12	43
16625600	18	90	16633109	22	9	16645608	44	4
16625709	16	1	16633307	22	20	16645707	44	1
16625808	16	3	16633406	22	21	16645806	44	6
16626111	12	34	16633406	64	9	16646515	44	16
16626202	36	58	16633802	24	32	16646606	44	28
16626400	36	55	16633901	24	33	16646721	44	19
16627507	16	19	16633901	28	19	16647000	44	29
16627606	16	28	16635005	28	18	16652117	34	15
16627804	16	22	16636706	32	22	16660706	46	1
16627903	16	25	16637308	32	17	16661019	24	34
16628000	44	3	16637704	36	48	16661118	28	27
16628505	44	5	16637803	34	46	16661308	24	5
16628703	46	4	16637902	34	42	16661308	28	44
16628901	44	20	16638108	34	45	16661506	24	7
16629008	26	47	16638207	36	69	16661506	28	42
16629008	28	11	16638306	36	68	16661605	24	6
16629107	36	76	16638405	36	65	16661605	28	43
16629503	10	8	16639106	38	4	16661704	24	4
16629503	22	4	16639403	38	10	16661704	28	45
16629503	34	27	16640500	40	20	16661704	64	13
16629701	18	54	16640807	40	21	16661803	24	3

NUMERICAL INDEX OF PARTS

PART NO	PAGE	REF NO.	PART NO	PAGE	REF NO.	PART NO	PAGE	REF NO.
16661803	28	46	16710303	56	4	16718702	28	9
16661902	24	20	16710501	38	9	16720005	16	9
16661902	28	23	16710600	34	80	16775850	44	25
16662009	24	18	16710600	36	80	16795007	36	50
16662009	28	24	16710709	14	51	16798100	24	9
16662108	24	21	16710808	42	23	16798100	28	40
16662108	28	25	16710907	36	61	16811606	6	42
16662900	46	16	16711004	36	62	16811705	38	3
16663007	46	15	16711202	24	24	16870206	4	70
16663106	46	17	16711202	28	13	16876906	12	13
16663205	46	18	16711202	38	13	16877417	10	21
16663411	46	32	16711301	16	12	16877508	18	88
16663718	46	33	16711301	36	53	16878001	16	5
16663809	46	35	16711400	34	34	16878308	32	26
16663908	46	2	16711509	50	6	16879504	12	23
16665002	16	14	16711608	16	51	17779802	64	17
16665101	16	10	16711608	18	51	18347708	12	33
16666406	52	78	16711608	34	8	20321204	6	35
16669418	48	78	16711608	50	49	25149907	10	5
16677700	2	28	16711608	52	49	25150004	22	10
16677809	2	22	16711608	56	6	25150103	56	10
16678609	14	86	16712408	54	15	25150509	50	44
16679003	2	17	16712507	32	7	25151705	12	26
16679102	2	2	16712507	38	17	25151903	20	9
16679201	2	8	16713208	16	38	25152109	10	18
16679508	12	1	16713208	32	25	25152109	50	29
16679904	6	6	16713307	52	55	25156407	8	73
16680001	6	3	16713703	50	19	25165002	32	1
16680100	6	1	16714206	34	36	25206459	58	16
16680209	8	61	16714305	36	56	25206558	58	9
16680506	46	8	16714503	16	11	25206657	58	17
16680605	46	7	16715005	12	46	25206756	58	15
16680704	46	6	16715401	12	42	25206855	58	14
16680803	24	2	16715609	4	58	25206954	58	13
16680803	28	35	16715906	2	10	25207051	58	12
16681009	64	14	16716003	2	27	25207150	58	10
16699605	16	20	16716409	6	9	25207259	58	11
16701302	4	72	16716508	4	56	25207259	60	13
16704322	10	16	16717001	18	89	25207259	62	3
16704520	10	13	16717704	2	9	25207358	58	23
16710006	6	33	16717803	2	23	25207457	58	24
16710006	24	46	16718009	2	12	25207556	58	21
16710006	28	10	16718405	22	17	25207655	58	27·31
16710204	36	63	16718702	6	32	25207754	58	20
16710303	16	27	16718702	24	45	25207853	58	22

NUMERICAL INDEX OF PARTS

PART NO	PAGE	REF NO.	PART NO	PAGE	REF NO.	PART NO	PAGE	REF NO.
25207952	58	30	25215609	56	9	25222209	44	32
25208059	58	18	25215708	38	27	25222407	42	12
25208158	58	1	25215807	38	40	25222506	42	8
25208257	58	8	25216201	38	37	25222605	42	7
25208356	58	19	25216300	52	70	25222704	42	6
25208455	58	3	25216409	38	31	25222803	40	11
25208554	58	4	25216508	16	29	25222902	54	1
25208653	58	6	25216706	8	50	25223009	54	16
25208851	54	31	25217100	18	67	25223108	50	43
25208851	60	10	25217209	18	65	25223405	50	35
25208950	4	67	25217308	18	64	25224007	44	14
25208950	60	2	25217407	18	53	25224106	44	10
25209156	60	9	25217506	18	47	25224205	44	13
25209255	8	67	25217803	12	19	25224304	44	11
25209255	60	8	25217902	22	18	25226200	10	1
25209354	58	29	25218009	22	5	25226309	10	10
25209453	58	28·32	25218108	22	15	25226705	10	11
25209552	58	26	25218306	24	43	25226804	44	33
25209651	58	25	25218306	28	7	25226903	44	35
25209750	4	66	25218405	24	37	25227208	46	14
25210352	58	2	25218405	28	1	25227307	64	21
25210451	36	79	25218504	24	29	25227406	64	19
25210451	60	4	25218603	28	15	25227604	46	34
25210550	36	64	25218702	28	14	25227901	48	66
25210550	60	5	25218801	24	28	25228008	48	67
25210659	52	85	25219007	24	27	25228115	16	16
25210659	60	6	25219007	28	20	25228305	46	42
25210758	52	86	25219106	24	23	25228503	46	40
25210758	60	7	25219106	28	12	25229907	46	43
25211053	58	27·31	25219205	22	1	25230301	34	16
25211152	58	28·32	25219304	32	10	25230400	52	50
25212507	60	11	25219510	36	51	25230509	50	1
25212507	62	6	25219700	32	24	25230608	50	16
25212606	60	16·21	25220005	32	19	25230806	50	11
25212606	62	5·9	25220104	34	37	25230905	52	48
25212705	60	12	25220609	32	23	25231002	50	5
25212705	62	2	25221003	38	14	25231101	50	10
25212804	4	51	25221102	38	1	25231200	50	21
25213109	60	16·21	25221201	38	16	25231309	50	17
25213109	62	5·9	25221409	34	19	25231408	50	27
25214305	6	24	25221508	34	22	25231507	50	30
25215005	6	36	25221607	34	29	25231606	52	67
25215401	10	6	25221706	40	18	25231705	50	41
25215500	12	8	25221805	40	19	25231804	52	58
25215609	50	40	25221904	40	16	25231903	52	83

NUMERICAL INDEX OF PARTS

PART NO	PAGE	REF NO.	PART NO	PAGE	REF NO.	PART NO	PAGE	REF NO.
25232000	52	63	25238908	14	71	25245903	48	47
25232109	52	80	25239609	38	34	25246000	48	49
25232208	52	73	25239708	48	83	25246109	48	48
25232315	52	81	25239807	32	27	25246208	64	20
25232406	52	65	25240003	32	39	25246307	46	21
25232505	50	28	25240102	32	36	25246406	46	9
25232604	56	16	25240508	34	14	25246505	46	12
25232703	56	12	25241803	46	41	25246604	48	62
25232802	56	18	25241902	32	30	25246703	48	64
25232901	56	17	25242009	38	6	25246802	48	65
25233016	56	5	25242108	38	8	25246901	48	58
25233115	50	4	25242207	54	21	25247008	48	57
25233206	56	7	25242306	54	2	25247206	48	70
25233305	56	11	25242405	54	19	25247305	48	73
25234006	24	36	25242504	44	31	25247404	48	76
25234006	28	29	25242603	16	4	25247503	56	1
25234105	24	15	25242702	16	33	25247651	38	23
25234105	28	34	25242801	16	7	25247859	38	22
25234253	8	51	25242900	48	80	25248105	64	22
25234303	8	52	25243007	48	81	25248204	6	45
25234402	54	25	25243106	4	61	25249855	36	72
25234501	54	4	25243205	2	36	25250309	32	11
25234600	10	12	25243403	6	37	25250408	36	75
25234709	6	46	25243502	2	41	25250507	36	81
25235102	32	31	25243601	24	14	25251406	32	37
25235201	2	46	25243601	28	31	25251505	36	73
25235409	2	1	25243668	24	1	25251802	8	56
25235508	2	35	25243668	28	30	25251802	10	17
25236100	2	15	25243908	16	23	25251901	38	21
25236209	2	13	25244005	40	23	25252008	24	42
25236407	2	39	25244104	34	10	25252008	28	6
25236506	6	5	25244203	34	11	25252107	38	33
25236605	6	13	25244302	34	9	25252206	38	35
25236704	6	23	25244500	34	12	25252305	2	26
25236902	8	55	25244609	34	7	25252404	56	15
25237009	6	31	25244708	34	1	25252602	50	26
25237108	8	58	25244807	40	25	25252800	52	77
25237900	10	2	25244807	64	6	25252909	34	20
25238007	48	79	25244906	34	38	25252909	52	59
25238106	48	82	25245309	46	30	25253006	50	8
25238304	4	54	25245408	46	24	25253204	16	8
25238502	20	1	25245507	46	44	25253303	16	17
25238601	20	5	25245606	46	25	25253402	46	61
25238700	20	3	25245705	48	51	25253402	48	61
25238809	20	2	25245804	48	55	25253501	44	34

NUMERICAL INDEX OF PARTS

PART NO	PAGE	REF NO.	PART NO	PAGE	REF NO.	PART NO	PAGE	REF NO.
25253600	44	30	G5514340000	28	41	NM6050001SC	16	41
25253600	54	23	G5528340000A	34	13	NM6050001SC	22	19
25253709	50	34	G5542340000	24	17	NM6050001SC	32	20
25253808	34	24	G5542340000	28	33	NM6050001SC	34	4
25253907	34	21	G5542340000	64	18	NM6050001SC	44	18
25254004	14	60	G5701340000	64	5	NM6050001SC	50	46
25254202	18	66	G5704340000	64	16	NM6050001SC	54	24
25254301	24	39	G91011160A0	64	2	NM6050003SC	36	84
25254301	28	2	G9119116000	64	4	NM6050003SC	44	27
25254509	34	3	G91201160A0	64	7	NM6050003SC	50	24
25254608	16	32	GFL010050A0	14	62	NM6050550SD	50	22
25254707	38	24	GFL010050A0	60	18	NM6060001SC	2	21
25254905	38	26	GSY030000A0	12	28	NM6060001SC	16	31
A9102062BA0	64	12	GSY030060A0	60	17	NM6060001SC	34	25
B1109481000	10	19	HA000370010	2	42	NM6060003SC	10	7
B1144210000	14	59	HA001630000	60	14	NM6060003SC	44	8
B1210761000	12	11	HA001630000	62	4	NM6060003SC	52	76
B3419122000	44	24	HA002240000	2	43	NM6080001SC	14	65
B9101490000	64	8	HA002510010	6	25	NM6080001SC	18	91
B9110012000	64	3	HF0012030P0	64	11	NM6080001SC	24	40
BT0600400EC	20	4	HF001501000	60	20	NM6080001SC	28	4
BT0600400EC	22	16	HF001501000	62	8	NM6080001SC	38	28
CM300100102	4	69	HF001801000	64	10	NM6080003SC	12	38
CM3002000A1	14	88	HF005111000	60	15	NM6120001SC	6	40
CM3002000B2	4	71	HF005111000	62	7	NM6201202SC	4	57
CM300200202	32	5	HX001650000	6	26	NM6860001SC	8	75
CM300200301	4	68	M6130351AA0	14	72	NM7030510SA	18	62
CM300600102	4	73	M6130351AA0	60	19	NS6120310SP	16	26
CM300600102	8	68	MDPN10C0000	24	19	RC0150001KP	24	44
CM500300001	14	87	MDPN10C0000	64	1	RC0150001KP	28	8
D8113555B00	14	76	MTSP01100B0	14	61	RC0150001KP	38	42
D8115555B00	14	78	NM6030001SC	10	9	RC0220001KP	56	3
G5181340000	50	23	NM6030001SC	18	71	RC0470611KP	48	77
G5503340000	24	16	NM6030001SC	22	14	RC0931011KP	50	47
G5503340000	28	32	NM6030003SC	6	43	RC0931011KP	52	47
G5506340000	24	13	NM6040001SC	8	72	RC1200001KP	12	84
G5506340000	28	36	NM6040001SC	16	42	RC1200001KP	14	84
G5507340000	24	12	NM6040001SC	32	12	RC1200001KP	38	25
G5507340000	28	37	NM6040001SC	40	5	RC1200001KP	50	38
G5512340000	24	11	NM6040001SD	18	78	RC2600002KP	54	13
G5512340000	28	39	NM6040003SC	4	50	RC3200002KP	24	26
G5513340000	24	10	NM6040003SC	20	6	RC3200002KP	28	22
G5513340000	28	38	NM6040003SC	46	71	RC3700002KP	14	53
G5513340000	64	15	NM6040003SC	48	71	SB105000300	42	5
G5514340000	24	8	NM6050001SC	4	65	SB110000400	50	39

NUMERICAL INDEX OF PARTS

PART NO	PAGE	REF NO.	PART NO	PAGE	REF NO.	PART NO	PAGE	REF NO.
SB110000400	54	14	SM6041502TP	46	50	SM6062502TP	14	57
SB110000400	56	8	SM6041502TP	48	50	SM6062502TP	24	30
SB112000200	12	5	SM6041802TP	50	32	SM6062502TP	28	16
SB112000200	52	79	SM6042002TP	14	83	SM6062502TP	34	30
SB115000400	24	25	SM6042002TP	36	74	SM6062502TP	52	74
SB115000400	28	21	SM6051002TP	4	52	SM6063002TP	24	38
SB115000400	38	41	SM6051002TP	42	2	SM6063002TP	28	3
SB120000200	12	14	SM6051002TP	44	26	SM6063002TP	38	18
SK3382001SC	2	7	SM6051002TP	54	3	SM6063002TP	44	12
SL4851091SC	8	74	SM6051202TP	2	31	SM6081552TP	14	79
SM0040601SC	38	5	SM6051202TP	12	45	SM6082002TN	40	17
SM0040801SC	6	27	SM6051202TP	32	2	SM6082502TP	12	9
SM0041001SC	6	17	SM6051202TP	42	16	SM6082502TP	22	2
SM0041001SC	32	38	SM6051202TP	48	63	SM6082502TP	32	6
SM0041201SA	8	70	SM6051202TP	50	45	SM6083002TP	12	63
SM0050801SC	2	55	SM6051202TP	54	22	SM6083002TP	14	63
SM0050801SC	4	55	SM6051552TP	2	32	SM6083002TP	32	32
SM1040601SP	12	25	SM6051552TP	36	77	SM6083002TP	38	11
SM1040852TP	2	11	SM6051552TP	50	13	SM6085002TP	14	67
SM4040601SC	6	34	SM6051552TP	56	19	SM6086002TP	16	18
SM4043501SE	2	44	SM6051802TP	36	59	SM6102512TP	2	29
SM6030602TP	34	17	SM6051802TP	38	38	SM6104002TP	54	29
SM6030802TP	32	18	SM6051802TP	44	15	SM6104502TP	6	39
SM6031002TP	22	13	SM6052002TP	12	31	SM6123002TP	8	64
SM6031002TP	32	28	SM6052002TP	24	35	SM8030302TP	18	83
SM6032002TP	48	52	SM6052002TP	28	28	SM8030502TP	32	29
SM6040502TP	18	76	SM6052002TP	44	36	SM8030502TP	42	26
SM6040602TP	40	3	SM6052502TP	12	2	SM8031002TP	6	44
SM6040802TP	8	47	SM6052502TP	18	49	SM8031002TP	10	15
SM6040802TP	36	70	SM6052502TP	52	56	SM8040502TP	16	57
SM6040802TP	54	26	SM6061002TP	4	62	SM8040502TP	18	57
SM6041002TP	2	47	SM6061002TP	8	59	SM8040502TP	38	7
SM6041002TP	4	47	SM6061202TP	4	59	SM8040502TP	40	24
SM6041002TP	6	38	SM6061202TP	50	9	SM8040502TP	42	25
SM6041002TP	18	61	SM6061552TP	12	73	SM8040502TP	50	7
SM6041002TP	42	9	SM6061552TP	14	73	SM8040502TP	56	14
SM6041002TP	46	74	SM6061802TP	44	2	SM8040602TP	46	60
SM6041002TP	48	74	SM6062002TP	6	20	SM8040602TP	48	60
SM6041002TP	50	68	SM6062002TP	12	36	SM8040802TP	34	82
SM6041002TP	52	68	SM6062002TP	16	30	SM8040802TP	36	82
SM6041202TP	8	62	SM6062002TP	34	2	SM8040802TP	40	10
SM6041202TP	12	30	SM6062002TP	42	20	SM8040802TP	42	13
SM6041202TP	46	3	SM6062002TP	44	17	SM8050502TP	16	15
SM6041502TP	16	45	SM6062002TP	52	52	SM8050602TP	16	13
SM6041502TP	22	7	SM6062002TP	54	17	SM8050602TP	36	54

NUMERICAL INDEX OF PARTS

PART NO	PAGE	REF NO.	PART NO	PAGE	REF NO.	PART NO	PAGE	REF NO.
SM8050602TP	40	26	WP0430801SC	8	71	WS0410002KN	52	69
SM8050602TP	50	84	WP0430801SC	18	59	WS0410002KN	54	27
SM8050602TP	52	84	WP0430801SC	20	8	WS0510002KN	2	53
SM8050602TP	54	20	WP0430801SC	32	34	WS0510002KN	4	53
SM8050802TP	38	32	WP0430801SC	42	11	WS0510002KN	6	15
SM8050812TP	16	2	WP0430801SC	54	28	WS0510002KN	12	44
SM8050812TP	38	2	WP0430801SE	18	77	WS0510002KN	16	40
SM8051002TP	52	66	WP0531001SC	2	34	WS0510002KN	32	21
SM8060552TP	24	31	WP0531001SC	6	16	WS0510002KN	34	83
SM8060552TP	28	17	WP0531001SC	32	15	WS0510002KN	36	83
SM8060602TP	34	33	WP0531001SC	34	6	WS0510002KN	38	39
SM8060802TP	12	56	WP0531001SC	40	13	WS0510002KN	42	17
SM8060802TP	14	56	WP0531001SC	42	18	WS0510002KN	44	37
SM9040803SD	6	10	WP0531001SC	44	38	WS0510002KN	50	25
SM9051603SD	6	14	WP0531001SC	50	15	WS0610002KN	4	63
SM9051603SD	34	43	WP0621016SH	26	48	WS0610002KN	6	60
SS2090510SP	10	3	WP0621016SH	30	47	WS0610002KN	8	60
SS3090810SL	14	82	WP0641601SC	4	64	WS0610002KN	12	74
SS4090615SP	6	2	WP0641601SC	6	22	WS0610002KN	14	74
SS6060220SP	10	20	WP0641601SC	14	85	WS0610002KN	34	31
SS6060440TP	44	39	WP0641601SC	34	32	WS0610002KN	38	19
SS6080810SP	46	36	WP0641601SC	42	22	WS0610002KN	42	21
SS6081210SP	18	86	WP0641601SC	54	12	WS0610002KN	44	9
SS6081210SP	48	68	WP0841601SC	12	68	WS0610002KN	52	75
SS6090810SP	24	22	WP0841601SC	14	68	WS0610002KN	54	18
SS6090810SP	28	26	WP0841601SC	32	16	WS0820002KN	12	80
SS6090810SP	46	13	WP0841601SC	38	30	WS0820002KN	14	80
SS6090810SP	50	18	WP1302500SC	8	65	WS0820002KN	22	3
SS6121010SP	40	2	WS0310002KN	18	63	WS0820002KN	24	41
SS6121210SP	10	4	WS0310002KN	34	18	WS0820002KN	28	5
SS6121210SP	16	24	WS0310002KN	48	54	WS0820002KN	32	33
SS7111120SP	48	69	WS0410002KN	2	48	WS0820002KN	38	29
SS7111410SP	40	12	WS0410002KN	4	48	WS1020002KN	2	30
SS7120410TP	6	7	WS0410002KN	6	63	WS1020002KN	54	30
SS8110510SP	46	5	WS0410002KN	8	63	WS1220002KN	6	66
SS8660612TP	18	55	WS0410002KN	12	32	WS1220002KN	8	66
SS8660612TP	36	47	WS0410002KN	16	60			
SS9111010SP	44	7	WS0410002KN	18	60			
SS9182010SN	44	23	WS0410002KN	20	7			
ST4041621SN	2	3	WS0410002KN	22	6			
TA1250804R0	8	57	WS0410002KN	36	71			
WP0280500SD	6	30	WS0410002KN	42	10			
WP0320500SC	2	4	WS0410002KN	46	75			
WP0430801SC	4	49	WS0410002KN	48	75			
WP0430801SC	6	71	WS0410002KN	50	69			