

MODEL : MD03
List No : 1127-01

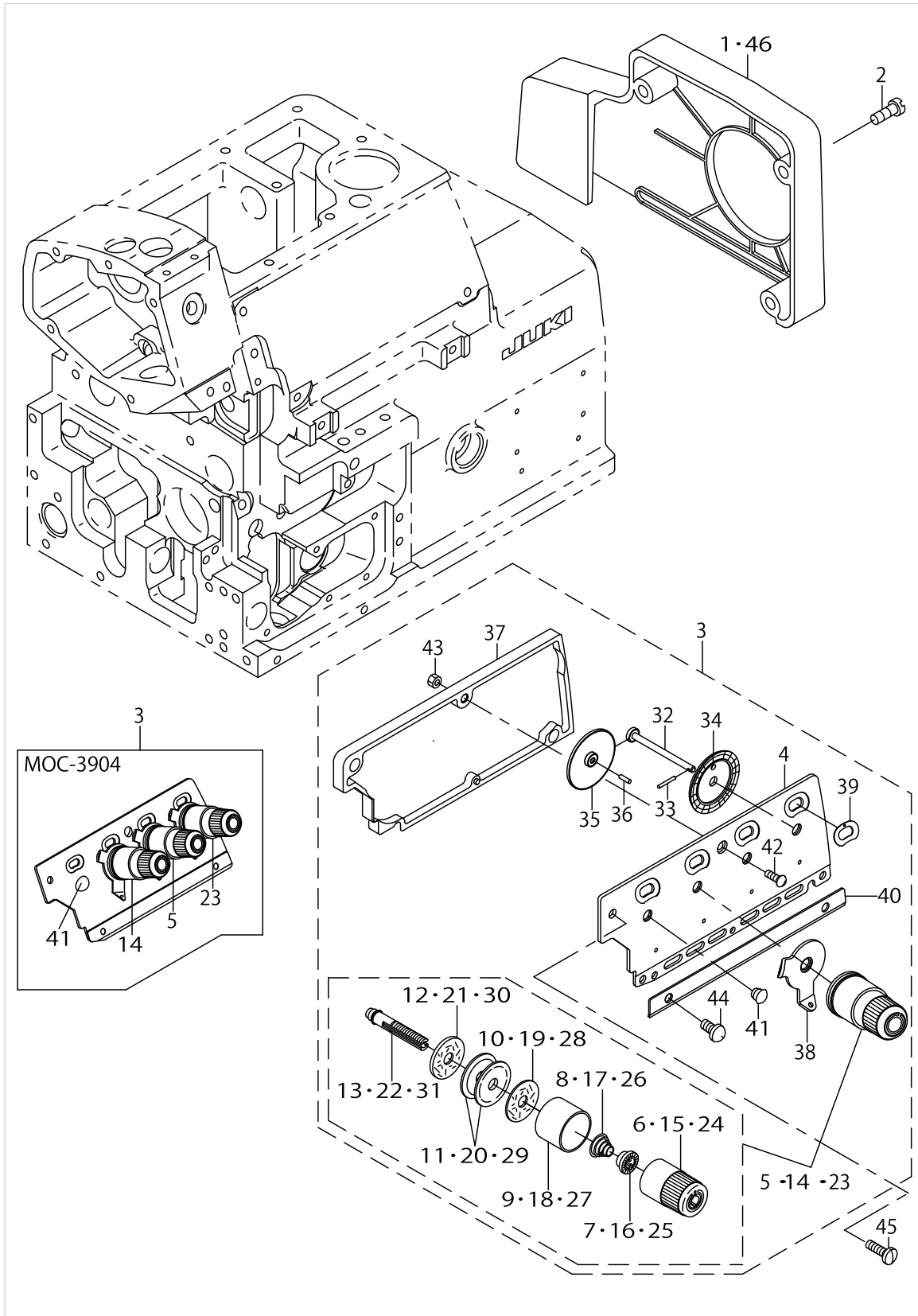
PARTS LIST

Published:05/12/2017

CONTENTS

FRAME COMPONENTS	1
PULSE SENSOR COMPONENTS	3
PNEUMATIC COMPONENTS	5
ELASTIC TAPE FEEDER & T043 COMPONENTS	7
ELASTIC TAPE FEEDER COMPONENTS	9
SAFETY SWITCH & KNEE SWITCH COMPONENTS	13
GAUGE PARTS COMPONENTS	15
TABLE COMPONENTS	17
CONTROL BOX COMPONENTS	19
OPERATION PANEL COMPONENTS	23
HOW TO MAKE USE OF THIS PARTS LIST	25

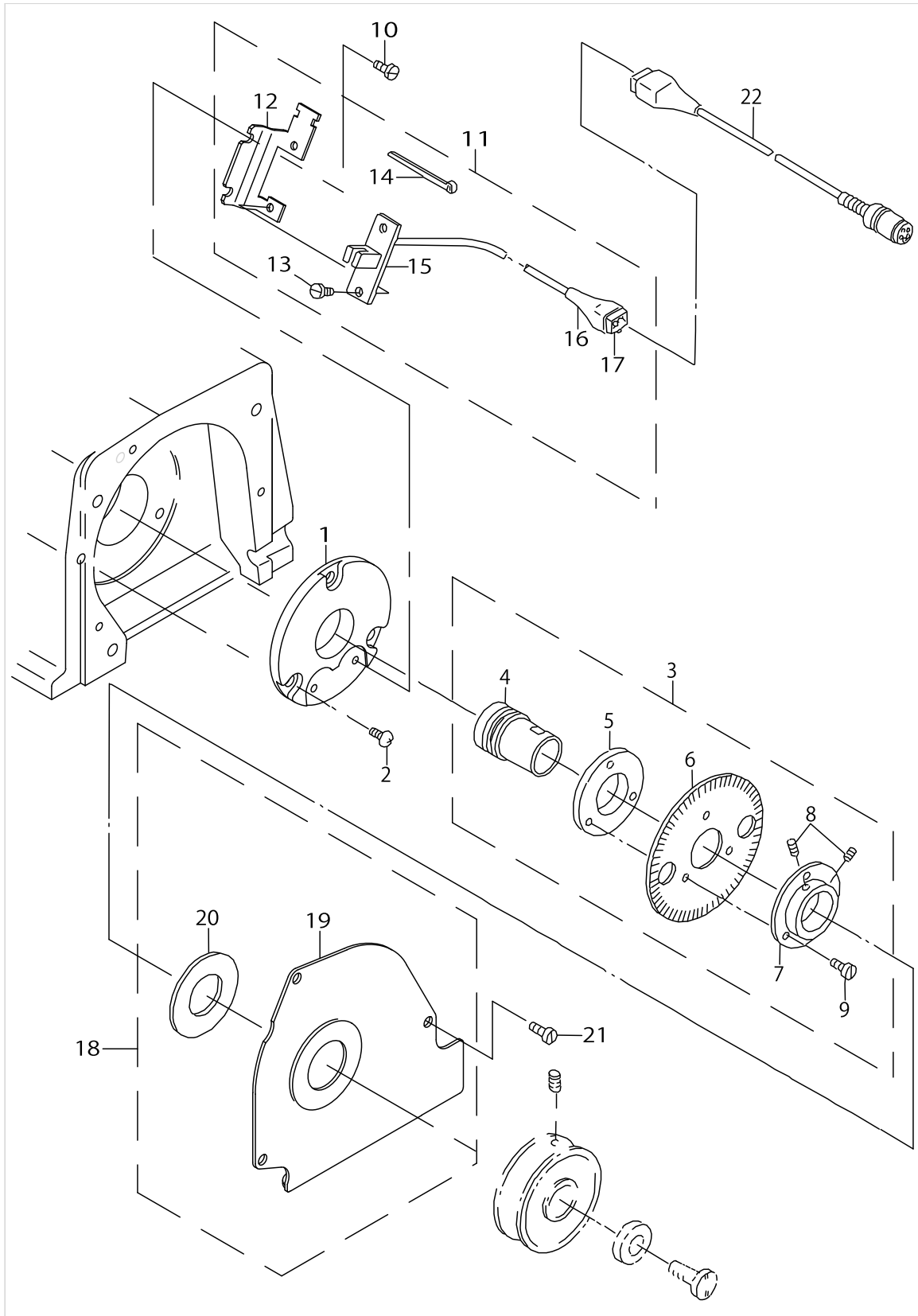
FRAME COMPONENTS



FRAME COMPONENTS

No.	Supply Code	Parts No.	Replacement	Parts name	Remarks	Choice	Step	Level	Cons	Qty	Rep. QTY
1	D	12101952		BELT COVER ASM.	FOR DOME- STIC USE					1	
2		SS4151215SP		SCREW15/64-28L=12						3	
3		GMD030030A0		THREAD GUIDE PLATE ASM.						1	
4		12126207		THREAD GUIDE PLATE				*		1	
5	D	12126967		KNOB ASM.,YELLOW				*		2	
6	D	12126918		KNOB ,YELLOW				*		1	
7		B3112704000		TENSION SPRING BUSHING				*		1	
8		B3102804000		TENSION SPRING, YELLOW				*		1	
9		12126702		TESION DISK PRESSER				*		1	
10	R	B3120704000	13138102	THREAD TENSION SPRING FELT				*		1	1.00
11	R	B3126012000	22921506	THREAD TENSION DISK				*		2	1.00
12	R	B3120352000	13139902	THREAD TENSION SPRING FELT				*		1	1.00
13	D	12126405		THREAD TENSION BAR				*		1	
14	D	12126967		KNOB ASM.,YELLOW				*		1	
15	D	12126918		KNOB ,YELLOW				*		1	
16		B3112704000		TENSION SPRING BUSHING				*		1	
17		B3101804000		TENSION SPRING, RED				*		1	
18		12126702		TESION DISK PRESSER				*		1	
19	R	B3120704000	13138102	THREAD TENSION SPRING FELT				*		1	1.00
20	R	B3126012000	22921506	THREAD TENSION DISK				*		2	1.00
21	R	B3120352000	13139902	THREAD TENSION SPRING FELT				*		1	1.00
22	D	12126405		THREAD TENSION BAR				*		1	
23	D	12127064		KNOB ASM.,BLUE				*		1	
24	D	12127015		KNOB ,BLUE				*		1	
25		B3112704000		TENSION SPRING BUSHING				*		1	
26		B3103804000		TENSION SPRING, BLUE				*		1	
27		12126702		TESION DISK PRESSER				*		1	
28	R	B3120704000	13138102	THREAD TENSION SPRING FELT				*		1	1.00
29	R	B3126012000	22921506	THREAD TENSION DISK				*		2	1.00
30	R	B3120352000	13139902	THREAD TENSION SPRING FELT				*		1	1.00
31	D	12126405		THREAD TENSION BAR				*		1	
32		12127403		SCALE SHAFT				*		1	
33		12127502		SCALE SHAFT PIN				*		1	
34		12127601		SCALE GEAR				*		1	
35	D	12127700		GEAR				*		1	
36		12127809		GEAR SHAFT				*		1	
37		12127957		SCALE CASE ASM.				*		1	
38		12126504		NEEDLE THREAD GUIDE				*		1	
39		12128203		SCALE SIDE PLATE				*		1	
40		12128302		THREAD LOOPER GUIDE				*		1	
41		TA0620504R0		CAP				*		1	
42	D	SS2090830SL		SCREW				*		1	
43		NS6090310SP		NUT 9/64-40				*		1	
44		SS7110740TL		SCREW 11/64-40 L= 7.0				*		1	
45		SM4041455SN		SCREW M4 L=14				*		2	
46	R	12101960	12101952	BELT COVER ASM.	FOR EXPORT					1	1.00

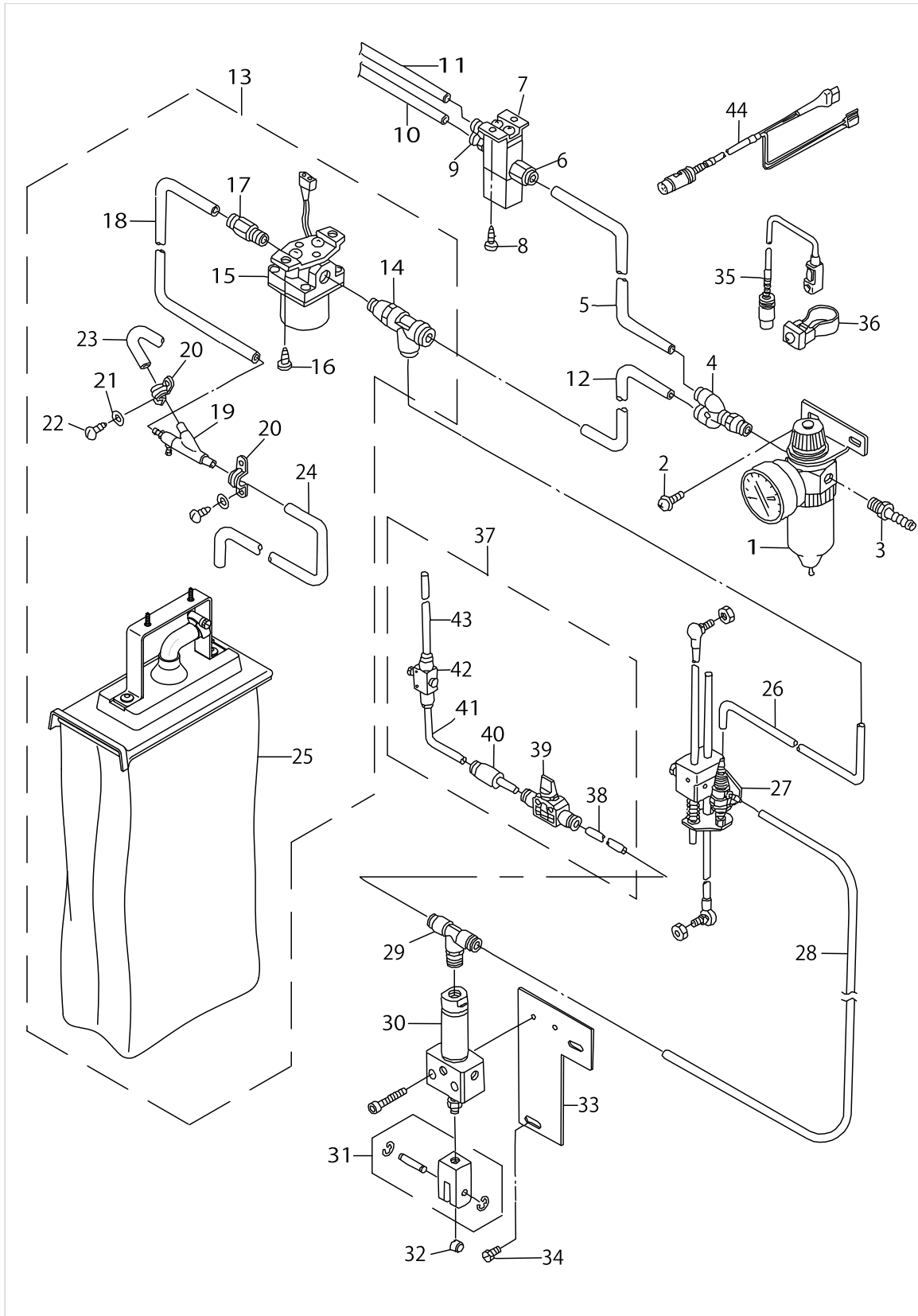
PULSE SENSOR COMPONENTS



PULSE SENSOR COMPONENTS

No.	Supply Code	Parts No.	Replacement	Parts name	Remarks	Choice	Step	Level	Cons	Qty	Rep. QTY
1		GMD03001000		THRUST HOLDER						1	
2		SM4050855SP		SCREW						3	
3		GMD010080A0		PULSE PLATE ASM.						1	
4	D	GMD01007000		OIL SHIELD				*		1	
5	D	GMD01009000		PULSE PLATE PRESSER A				*		1	
6		GMD01008000		PULSE PLATE				*		1	
7	D	GMD01010000		PULSE PLATE PRESSER B				*		1	
8		SS8110422TP		SCREW 11/64-40 L=4				*		2	
9		SS6090910SP		SCREW 9/64-40 L=9				*		3	
10		SS6090540SP		SCREW 9/64-40 L=5.0						2	
11	D	GMD030050A0		PULSE SENSOR ASM.						1	
12	D	GMD03005000		SENSOR BOARD PLATE				*		1	
13	R	SS7090520SP	SS7090520TP	SCREW 9/64-40 L=4.5				*		2	1.00
14		EA9500B0100		CABLE BAND				*		1	
15		GMD010110A0		SENSORBOARDASM.				*		1	
16		MAT01647000		9-POLE PLUG COVER				*		1	
17		HK034610060		HOUSING 6P				*		1	
18		GMD030040A0		COOLING FAN PLATE ASM.						1	
19	D	GMD03004000		COOLING FAN PLATE				*		1	
20		GMD01019000		SENSOR COVER RUBBER				*		1	
21		SM4040855SP		SCREW						3	
22	D	GMD010230A0		PULSE SENSOR CORD ASM.						1	

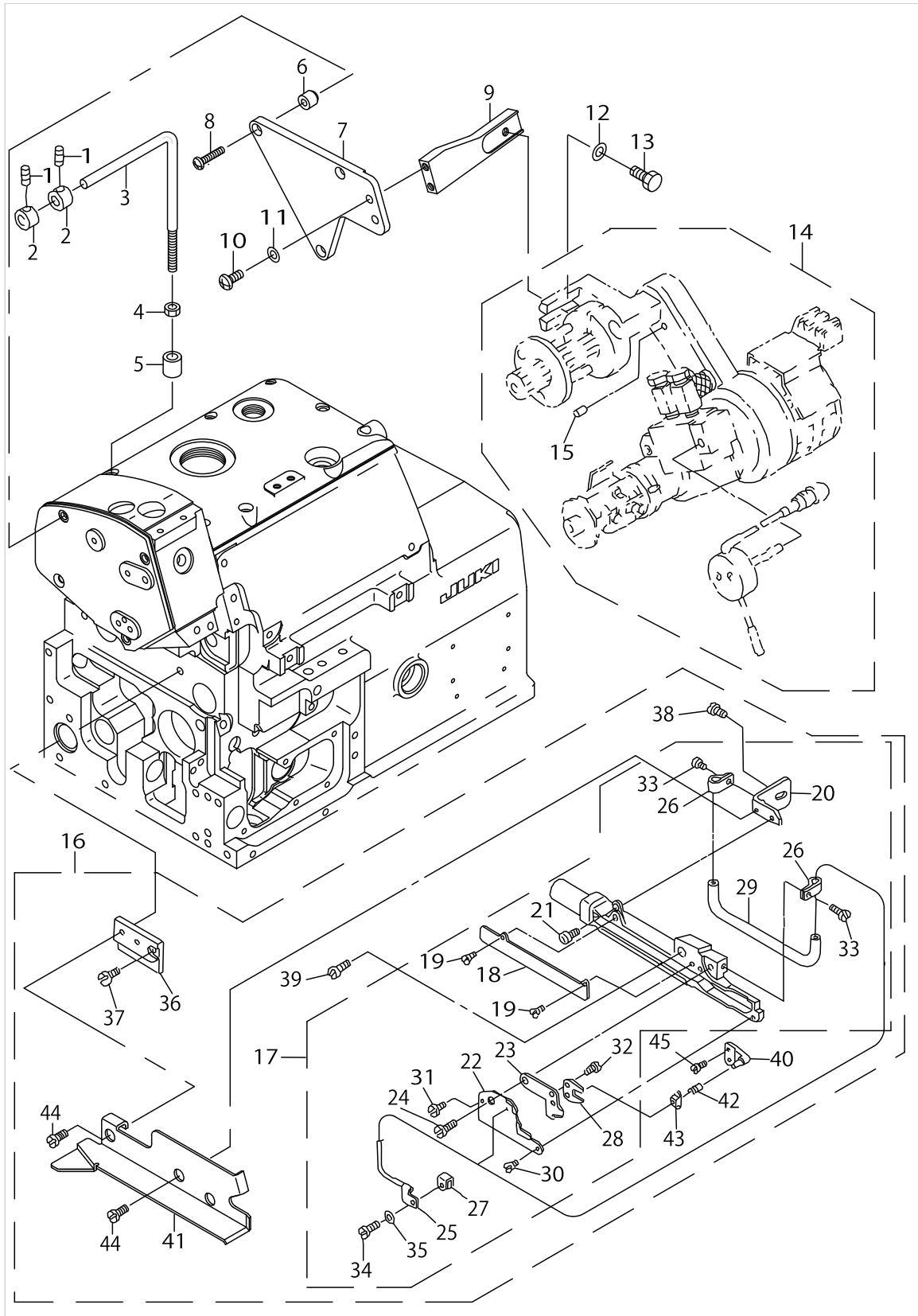
PNEUMATIC COMPONENTS



PNEUMATIC COMPONENTS

No.	Supply Code	Parts No.	Replacement	Parts name	Remarks	Choice	Step	Level	Cons	Qty	Rep. QTY
1		PF0552010B0		COMBINATION FR UNIT ASM.						1	
2		GMD01080000		SCREW M5 L=10						2	
3		F1021003000		HOSE JOINT						1	
4		PJ308065203		JOINT						1	
5		BT0600401EB		TUBE						1	
6		PJ301060501		UNION						1	
7		PV150518000		SOLENOID VALVE						1	
8	R	SK3412000SC	SK3412000SE	WOOD SCREW D=4.1 L=20						2	1.00
9		PJ301060504		JOINT						2	
10		BT0600401EF		TUBE						1.1	
11	D	BT0600401AF		TUBE HOSE, MILKY WHITE						1.1	
12		BT0600401EB		TUBE						1	
13		GMD010340B0		CHAIN-OFF SUCTION DEVICE						1	
14		GAS12304000		TEE, L				*		1	
15	D	GMD010340A0		AIRSTOPVALVEASM.				*		1	
16	R	SK3412000SC	SK3412000SE	WOOD SCREW D=4.1 L=20				*		2	1.00
17		PJ301065201		HALF UNION 6XPT1/4				*		1	
18		BT0600401EB		TUBE				*		0.5	
19		F10120030A0		NOZZLE ASM.				*		1	
20		F1017003000		VINYL HOSE SADDLE				*		2	
21		WP0450501SB		WASHER				*		4	
22	R	SK3412000SC	SK3412000SE	WOOD SCREW D=4.1 L=20				*		4	1.00
23		BT1500901Z0		AIR TUBE				*		0.7	
24		BT1500901Z0		AIR TUBE				*		0.5	
25		F10220030A0		FILTER WHOLE ASM.				*		1	
26		BT0600400EC		TUBE HOSE, BLUE						.9	
27		GAK490010A0		AK-49 UNION ROD ASM.						1	
28		BT0600400EC		TUBE HOSE, BLUE						.9	
29	D	PJ305065106		JOINT						1	
30		PA2002514A0		AIR CYLINDER						1	
31		PX500003000		KNUCKLE						1	
32		B1210111000		NEEDLE BAR CRANK COLLAR						1	
33		G5930397000		CYLINDER PLATE						1	
34		SS9151120CP		SCREW15/64-28L=11						2	
35	D	GMD010220A0		CYLINDER SENSOR SWITCH ASM.						1	
36		GMD01024000		SENSOR SWITCH BAND						1	
37		GMD010600A0		SPEED CONTROLLER ASM.						1	
38		BT0600401EB		TUBE				*		0.2	
39		PJ303060004		UNION STRAIGHT				*		1	
40		PJ301040001		REDUCER				*		1	
41		BT0400251EB		URETHANE HOSE, BLACK				*		0.1	
42		PC012401000		SPEED CONTROLLER				*		1	
43		BT0400251EB		URETHANE HOSE, BLACK				*		0.3	
44	D	GMD010350A0		SOLENOID VALVE CORD ASM.						1	

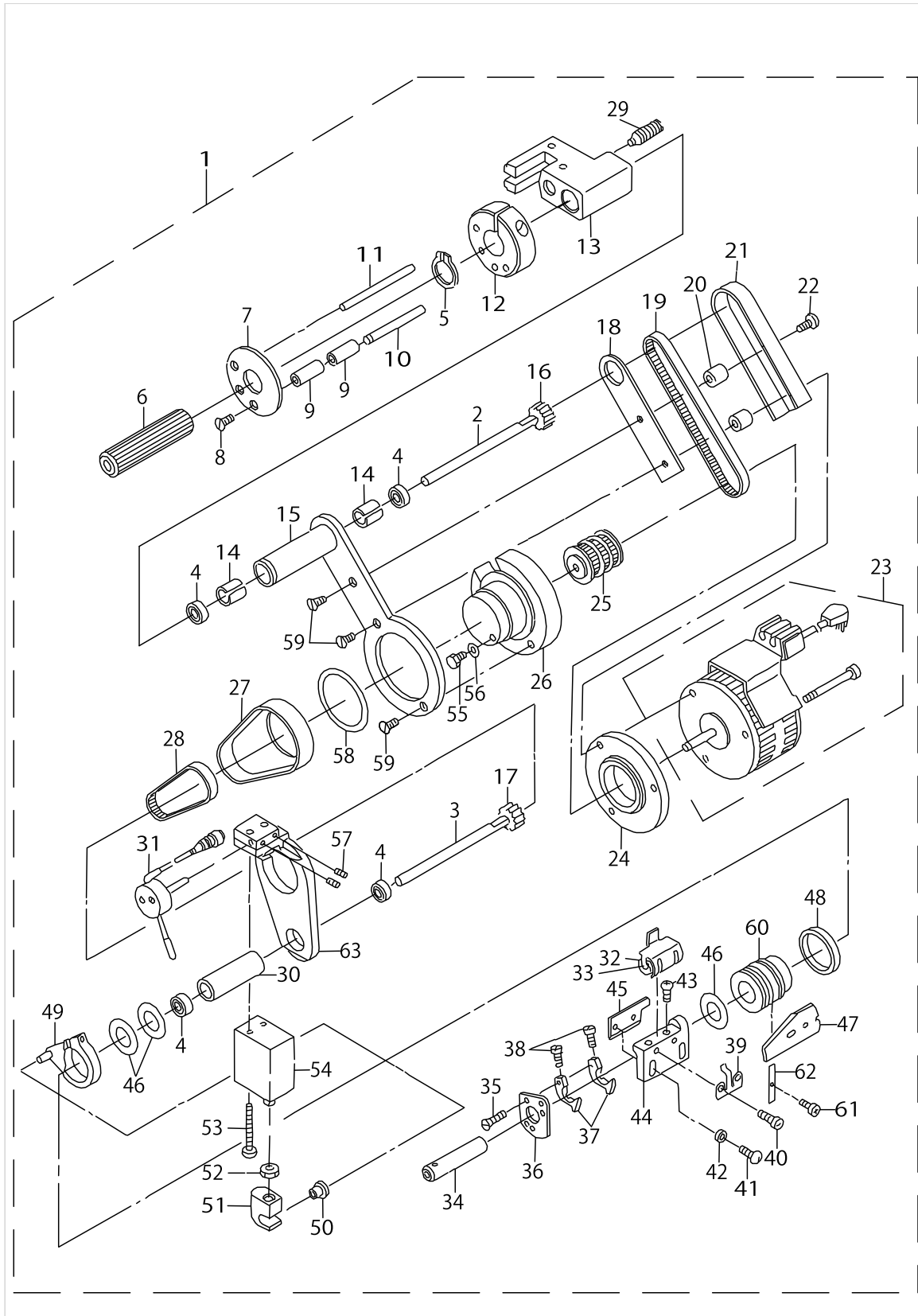
ELASTIC TAPE FEEDER & T043 COMPONENTS



ELASTIC TAPE FEEDER & T043 COMPONENTS

No.	Supply Code	Parts No.	Replacement	Parts name	Remarks	Choice	Step	Level	Cons	Qty	Rep. QTY
1		SS8090410SP		SCREW 9/64-40L=3.5						2	
2	R	CS0640611SP	CS064061ASP	THRUST HOLDER						2	1.00
3	D	GMD03009000		DEVICE FITTING ROLLER						1	
4		NM6050001SC		NUT M5						1	
5		11528809		WASHER						1	
6		GMD03007000		DEVICE FITTING						3	
7	D	GMD03006000		DEVICE FITTING BASE						1	
8		SM4042055SP		SCREW						3	
9	D	GMD03008000		DEVICE FITTING PLATE						1	
10		SM4051255SP		SCREW.,M5 L=12.						2	
11		WP0531000SD		WASHER M5						2	
12		WP0531000SD		WASHER M5						1	
13		SM9051203SD		BOLT M5X12						1	
14	D	GMD012010B0		ELASTIC TAPE FEEDER ASM.						1	
15		MAL01129A00		MAGNETO				*		1	
16	R	MAT042000A0	40045967	PNEUMATIC SIDE CUTTER ASM.						1	1.00
17		MAT036010BA		KNIFF REST ASM.				*		1	
18	D	MAT03602000		KNIFE REST LID				*		1	
19		SS2060320SP		SCREW 3/32-56 L=3.2				*		2	
20		MAT03604000		KNIFE REST PLATE				*		1	
21		SS4110715SP		SCREW 11/64-40 L=7				*		1	
22		MAT0360500A		FIXING KNIFE				*		1	
23		MAT03606000		WORK KNIFE				*		1	
24		MAT03607000		KNIFE SHAFT				*		1	
25		MAT036090A0		OIL SUPPLY HOLDER ASM.				*		1	
26		MAT03610000		OIL SUPPLY PIPE BRACKET				*		2	
27		MAT02111000		SPRING				*		1	
28		MAT02502000		DRIVING LEVER				*		1	
29		BP400000000		VINYL TUBE, WHITE D=4				*		0.2	
30		SS2060510SP		SCREW 3/32-56 L=4.5				*		1	
31		SS6090520SP		SCREW 9/64-40 L=5.0				*		1	
32		SS6080410SP		SCREW 1/8-44 L=4				*		2	
33		SS6060410TP		SCREW 3/32-56 L=3.5				*		2	
34		SS7060310SP		SCREW 3/32-56 L=3				*		1	
35		WP0250516SD		WASHER 2.5X6X0.5				*		1	
36		MAT03603000A		KNIFE REST BRACKET				*		1	
37		SS4120915SP		SCREW 3/16-28 L=9				*		1	
38		SS4150715SP		SCREW 15/64-28 L=7				*		1	
39		SS6111210SP		SCREW 11/64-40L=12				*		1	
40		MAT03608000		DRIVE PIN				*		1	
41		MAT042010A0		SIDE COVER COMPL.				*		1	
42		MAT02106000		SPRING				*		1	
43	R	MAT02503000	40045962	SLIDE BLOCK				*		1	1.00
44		SS7110840SP		SCREW 11/64-40 L=7.8				*		2	
45		SS7080520SP		SCREW 1/8-44 L=4.9				*		2	

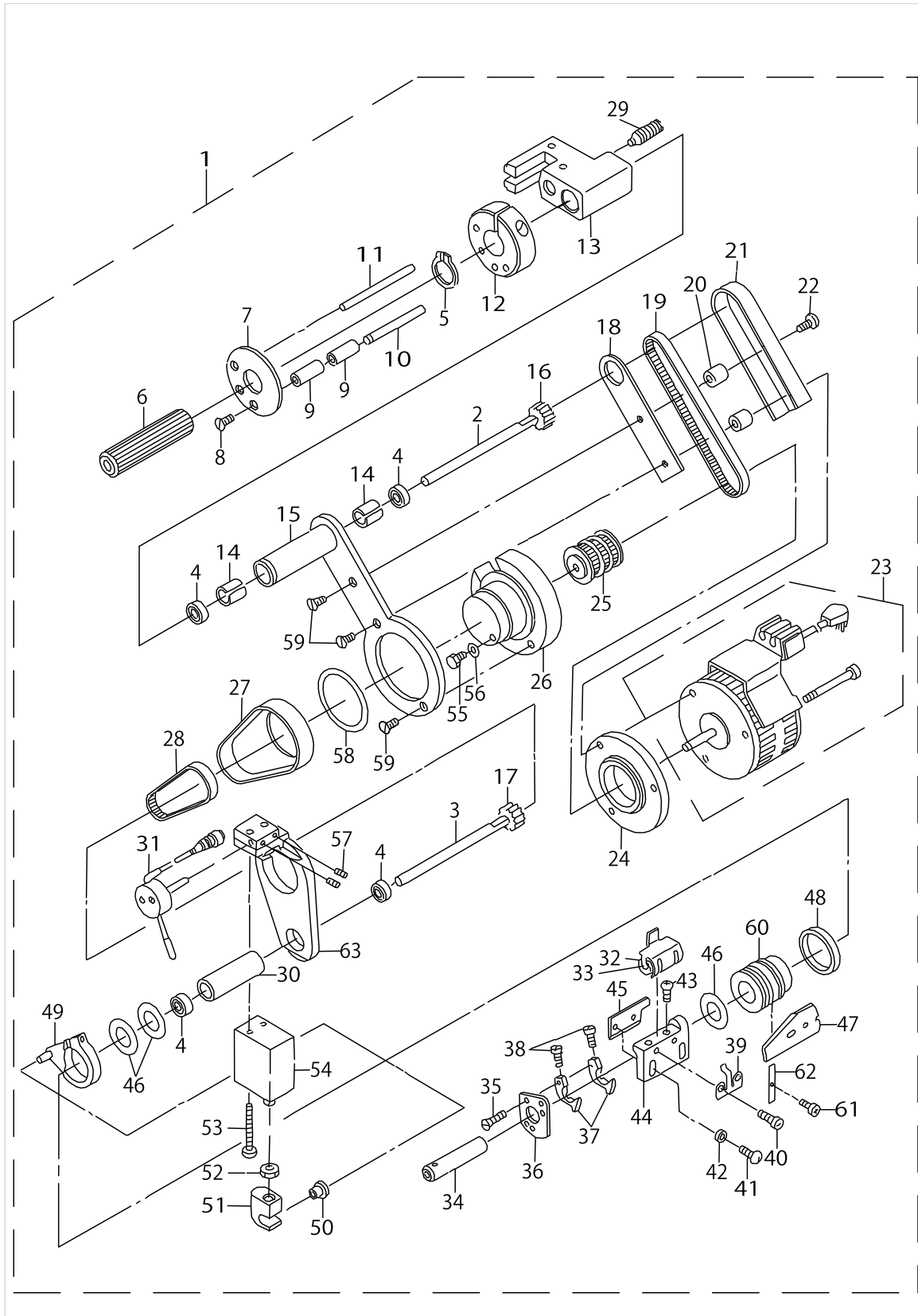
ELASTIC TAPE FEEDER COMPONENTS



ELASTIC TAPE FEEDER COMPONENTS

No.	Supply Code	Parts No.	Replacement	Parts name	Remarks	Choice	Step	Level	Cons	Qty	Rep. QTY
1	D	GMD012010A0		ELASTIC TAPE FEEDER ASM.						1	
2		GMD01202000		DRIVING SHAFT, UPPER				*		1	
3		GMD01203000		DRIVING SHAFT, LOWER				*		1	
4		GMD01230000		BEARING				*		4	
5		GMD01232000		RETAINER				*		1	
6	D	GMD01204000		ROLLER, UPPER				*		1	
7		GMD01208000		RETAINING PLATE				*		1	
8	D	GMD01261000		SCREW				*		3	
9		GMD01207000		TAPE ROLLER				*		6	
10	D	GMD01206000		TAPE ROLLER SHAFT				*		2	
11		GMD01249000		STOPPER PIN				*		1	
12		GMD01250000		STOPPER				*		1	
13	D	GMD01201000		SUPPORT BASE				*		1	
14		GMD01233000		BEARING BUSHING				*		2	
15		GMD01234000		DRIVING LEVER, UPPER				*		1	
16		GMD01222000		SPROCKET, UPPER				*		1	
17		GMD01223000		SPROCKET, LOWER				*		1	
18		GMD01224000		BELT SPACER				*		1	
19		GMD01228000		TIMING BELT, A				*		1	
20		GMD01225000		BELTCOVERSPACER				*		2	
21		GMD01226000		BELT COVER, A				*		1	
22		GMD01265000		SCREW				*		1	
23		GMD01213000		STEPPING MOTOR				*		1	
24		GMD01214000		FLANGE, A				*		1	
25		GMD01216000		MOTOR SPROCKET				*		1	
26	D	GMD01215000		FLANGE, B				*		1	
27	D	GMD01227000		BELT COVER, B				*		1	
28		GMD01229000		TIMING BELT, B				*		1	
29		GMD01267000		SCREW				*		1	
30		GMD01237000		BUSHING				*		1	
31		GMD01219000		TAPE CUT SWITCH				*		1	
32		GMD01242000		TAPE PRESSER ROLLER				*		1	
33		GMD01241000		TAPE PRESSER ROLLER SHAFT				*		1	
34	D	GMD01205000		ROLLER, LOWER				*		1	
35	D	GMD01268000		SCREW				*		3	
36		GMD01231000		RETAINING PLATE				*		1	
37		GMD01248000		TAPE GUIDE				*		2	
38	R	GMD01274000	GMD01272000	SCREW				*		2	1.00
39	D	GMD01245000		SPRING				*		1	
40		GMD01271000		SCREW				*		2	
41		GMD01272000		SCREW				*		2	
42		GMD01259000		WASHER				*		2	
43		GMD01273000		SCREW				*		2	
44		GMD01212000		HOLDER				*		1	
45		GMD01211000		FIXING KNIFE				*		1	
46		GMD01240000		SPACER				*		3	

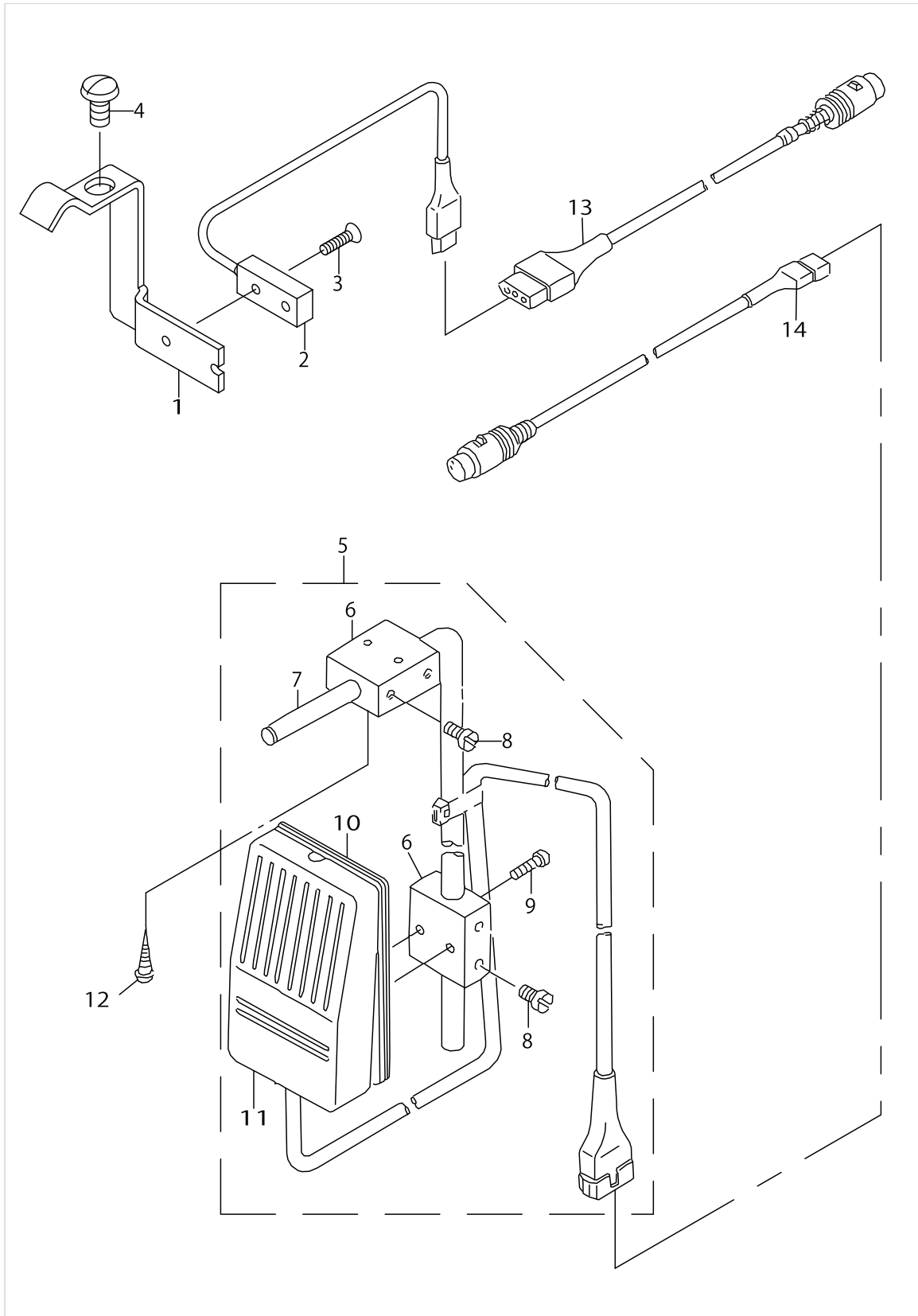
ELASTIC TAPE FEEDER COMPONENTS



ELASTIC TAPE FEEDER COMPONENTS

No.	Supply Code	Parts No.	Replacement	Parts name	Remarks	Choice	Step	Level	Cons	Qty	Rep. QTY
47		GMD01210000		WORK KNIFE				*		1	
48		GMD01243000		FIXING RING				*		1	
49		GMD01239000		DRIVING LEVER				*		1	
50		GMD01238000		ROLLER				*		1	
51		GMD01220000		KNUCKLE				*		1	
52		GMD01255000		NUT				*		1	
53		GMD01260000		SCREW				*		2	
54	D	GMD01217000		CYLINDER				*		1	
55		GMD01262000		SCREW				*		1	
56		GMD01256000		WASHER				*		1	
57	R	GMD01263000	30246607	SCREW				*		2	1.00
58		GMD01257000		WAVED WASHER				*		1	
59	D	GMD01266000		SCREW				*		3	
60		GMD01209000		WORK KNIFE FIXTURE				*		1	
61		GMD01253000		PIN				*		2	
62		GMD01244000		SPRING				*		1	
63		GMD01235000		DRIVING LEVER, LOWER				*		1	

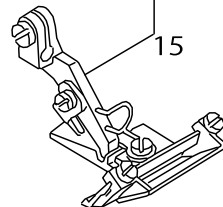
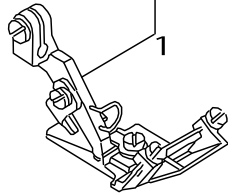
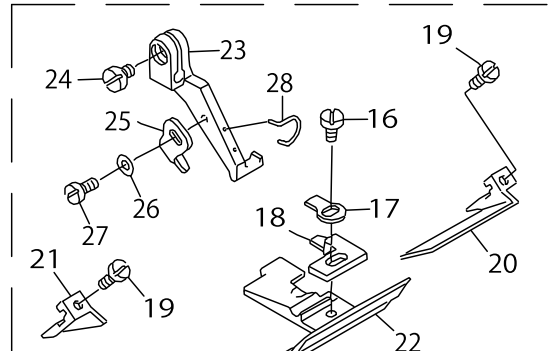
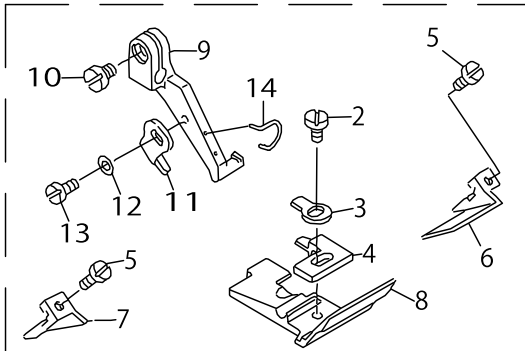
SAFETY SWITCH & KNEE SWITCH COMPONENTS



SAFETY SWITCH & KNEE SWITCH COMPONENTS

No.	Supply Code	Parts No.	Replacement	Parts name	Remarks	Choice	Step	Level	Cons	Qty	Rep. QTY
1	D	GMD03010000		SAFETY SWITCH FITTING PLATE						1	
2	D	GMD010310A0		SAFETY SWITCH ASM.						1	
3		SM1020801SN		SCREW M2 L=8						1	
4		SS5090710SP		SCREW 9/64-40 L=6.5						1	
5		GAK010220B0		LIFTER KNEE SWITCH ASM. B						1	
6		MAT80230T00		KNEE SWITCH SUPPORT BASE				*		2	
7		MAT80231T00		DRIVING BAR, T002				*		1	
8		SS6151220SP		SCREW 15/64-28 L=11.5				*		4	
9	R	SS7111410SP	SS7111410TP	SCREW 11/64-40 L=14				*		2	1.00
10	D	MAT80232T00		KNEE SWITCH SUPPORT PLATE				*		1	
11	R	GAK010220A0	GAK010220B0	KNEE SWITCH ASM.				*		1	1.00
12	R	SK3514000SC	SK3514001SE	WOOD SCREW D=5.1 L=40						2	1.00
13	D	GMD030110A0		SAFETY SWITCH CORD ASM.						1	
14	D	GMD010360A0		KNEE SWITCH CORD ASM.						1	

GAUGE PARTS COMPONENTS



GAUGE PARTS COMPONENTS

No.	Supply Code	Parts No.	Replacement	Parts name	Remarks	Choice	Step	Level	Cons	Qty	Rep. QTY
1	D	11945664		PRESSER FOOT ASM.	FOR 3904N (TAPE WID- EH : 6 TO 14 MM)					1	
2		SS7080520SP		SCREW 1/8-44 L=4.9				*		1	
3		B150880400B		SPRING				*		1	
4	R	11945904	11945664	STITCH TONGUE		A	A:	*		1	1.00
4	R	11945904	11946068	STITCH TONGUE		B	B:	*		1	1.00
5		SS8080310TP		SCREW 1/8-44 L=2.8				*		2	
6		11946100		TAPE GUIDE				*		1	
7	D	11945805		TAPE ADJUSTING GUIDE				*		1	
8	R	11945607	11945664	PRESSER FOOT				*		1	1.00
9		11872009		PRESSER FOOT HINGE				*		1	
10	R	SS6090650SP	SS6090670TP	SCREW 9/64-40 L=6				*		1	1.00
11		B1530804000		STOPPER				*		1	
12		WP0250516SD		WASHER 2.5X6X0.5				*		1	
13		SS7060610SP		SCREW 3/32-56 L=5.5				*		1	
14		11820701		FINGER GUARD				*		1	
15	D	11946068		PRESSER FOOT ASM.	FOR 3904N (TAPE WID- EH : 14 TO 26 MM)					1	
16		SS7080520SP		SCREW 1/8-44 L=4.9				*		1	
17		B150880400B		SPRING				*		1	
18	R	11945904	11945664	STITCH TONGUE		A	A:	*		1	1.00
18	R	11945904	11946068	STITCH TONGUE		B	B:	*		1	1.00
19		SS8080310TP		SCREW 1/8-44 L=2.8				*		2	
20		11945706		TAPE GUIDE				*		1	
21	D	11945805		TAPE ADJUSTING GUIDE				*		1	
22		11946001		PRESSER FOOT				*		1	
23		11872009		PRESSER FOOT HINGE				*		1	
24	R	SS6090650SP	SS6090670TP	SCREW 9/64-40 L=6				*		1	1.00
25		B1530804000		STOPPER				*		1	
26		WP0250516SD		WASHER 2.5X6X0.5				*		1	
27		SS7060610SP		SCREW 3/32-56 L=5.5				*		1	
28		11820701		FINGER GUARD				*		1	

TABLE COMPONENTS

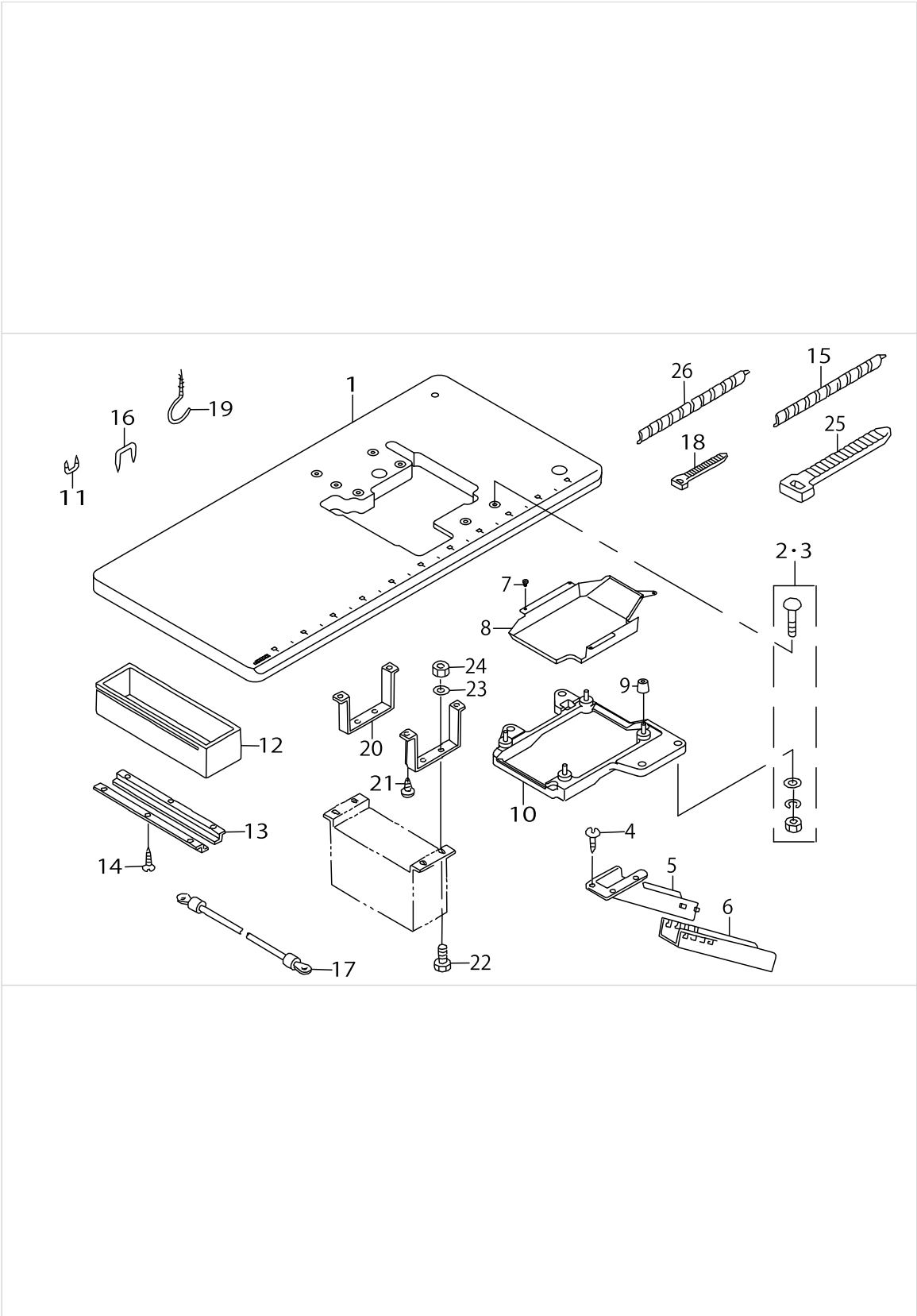
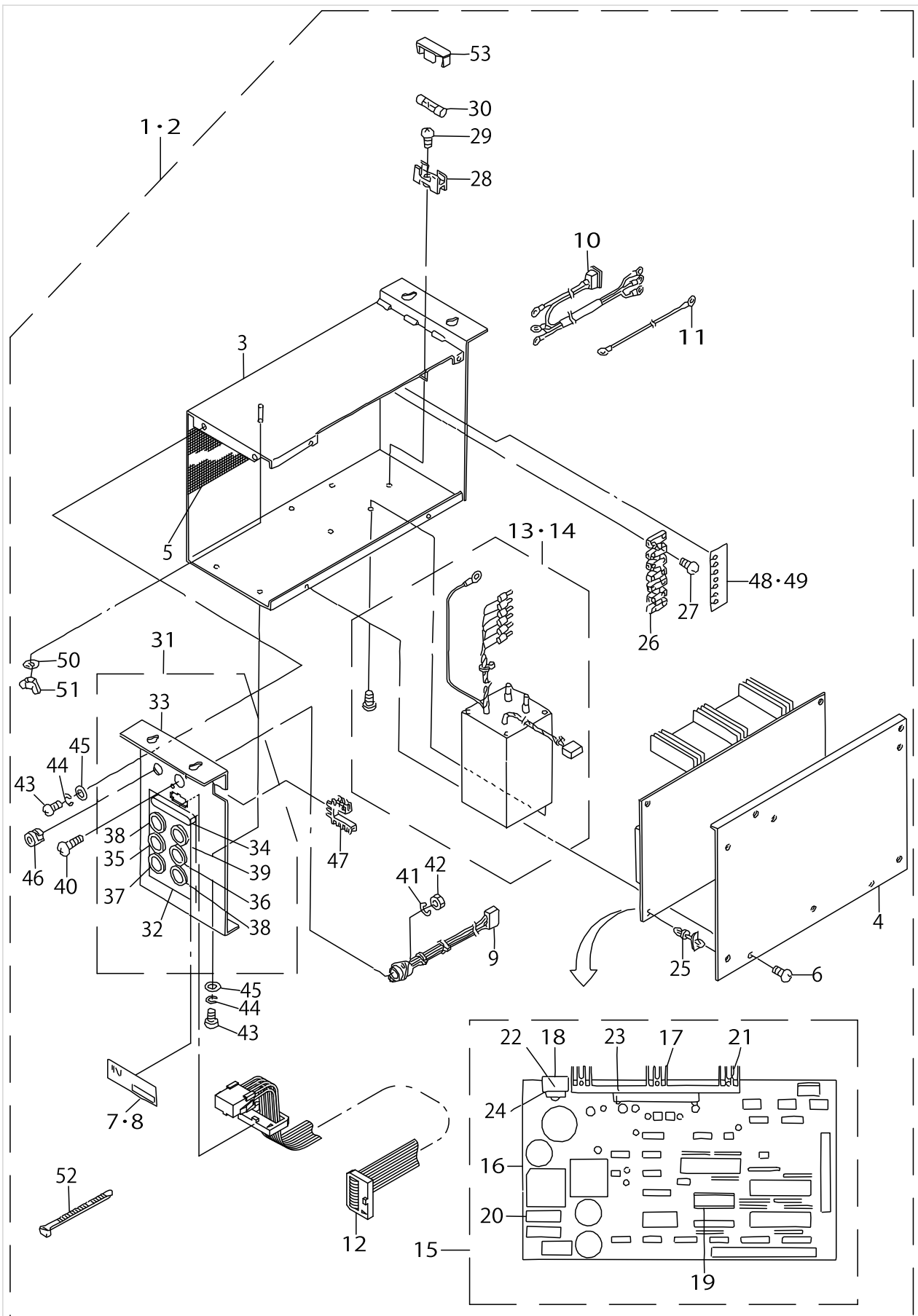


TABLE COMPONENTS

No.	Supply Code	Parts No.	Replacement	Parts name	Remarks	Choice	Step	Level	Cons	Qty	Rep. QTY
1		GMD03012000		TABLE						1	
2		11966751		BOLT A ASM.	FOR DOME- STIC USE					4	
3		11571650		BOLT ASM. A	FOR EXPORT					4	
4		SK2351600SC		WOOD SCREW D=3.5 L=16						3	
5	D	11960101		CLOTH WASTE CHU- TE,UPPER(BENCH)						1	
6	R	11960002	12341806	CLOTH WASTE CHU- TE,LOWER(BENCH)						1	1.00
7	R	SS6090630SP	SS6090630TP	SCREW 9/64-40 L=6						4	1.00
8		12221800		COOLING FAN CASE						1	
9	R	11571403	13155403	RUBBER CUSHION						4	1.00
10		12221750		FRAME SUPPORT PLATE ASM.						1	
11		D8204555D00		DRAWER STOPPER						1	
12	R	11155108	11155157	DRAWER						1	1.00
13		11155207		DRAWER SUPPORT						2	
14	D	SK3311500SC		WOOD SCREW D=3.1 L=15						6	
15		G5182120000		SPIRAL TUBE						1	
16		MAO11532000		CORD STAPLE						5	
17		GBT010710A0		GROUND WIRE ASM.						1	
18		EA9500B0100		CABLE BAND						3	
19		D2113555B00		CORD SET HOOK, B						1	
20	D	GMD01081000		BRACKET						2	
21		SK3452500SC		WOOD SCREW D=4.5 L=25						4	
22		SM4051201SC		SCREW M5X0.8 L=12						4	
23		WS0510002KN		SPRING WASHER						4	
24		NM6050001SC		NUT M5						4	
25		HX00065000A		CABLE CLIP						2	
26	D	HX003030000		SPIRAL TUBE						1	

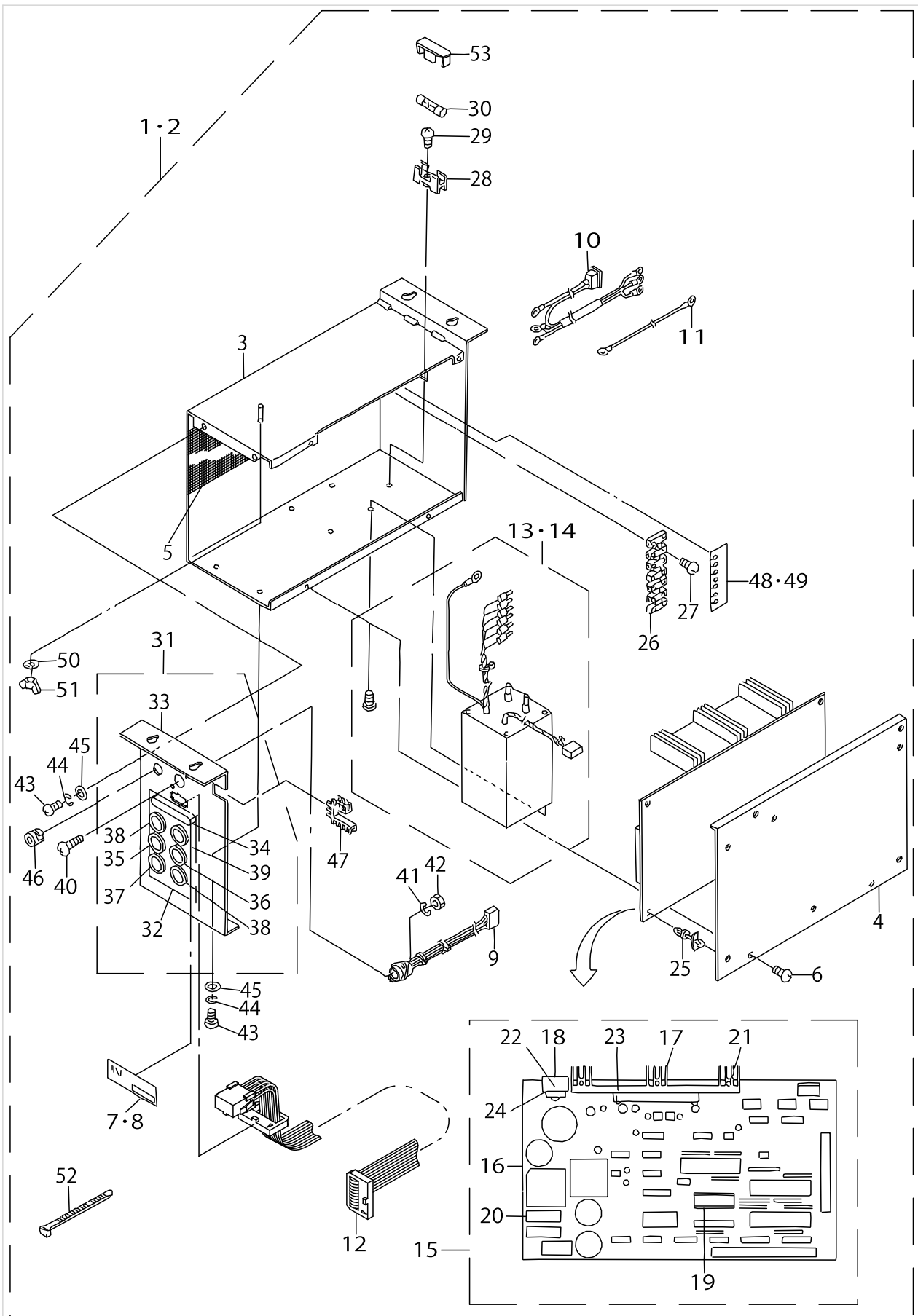
CONTROL BOX COMPONENTS



CONTROL BOX COMPONENTS

No.	Supply Code	Parts No.	Replacement	Parts name	Remarks	Choice	Step	Level	Cons	Qty	Rep. QTY
1		GMD01501AA0		CONTROL BOX WHOLE ASM.A						1	
2		GMD01501BA0		CONTROL BOX WHOLE ASM.B						1	
3		GMD01502000		CONTROL BOX BODY				*		1	
4		GMD01514000		CONTROL BOX COVER				*		1	
5		G6106192000		FILTER, A				*		1	
6		SL4030891SC		SCREW M3X8				*		4	
7		GMD01503A00		NAME PLATE, A	FOR PRIM-ARY VOLT-AGE 100V TO 240V			*		1	
8		GMD01503B00		NAME PLATE, B	FOR PRIM-ARY VOLT-AGE 220V TO 440V			*		1	
9		GMD015050A0		MOTOR CORD ASM.				*		1	
10		GMD015070A0		MAIN SWITCH ASM.				*		1	
11		GMD015080A0		FUSE HOLDER CABLE ASM.				*		1	
12		GMD015090A0		CONNECTOR CORD ASM. P4-P5				*		1	
13		GMD01510AA0		TRANSFORMER ASM., A	FOR PRIM-ARY VOLT-AGE 100V TO 240V			*		1	
14		GMD01510BA0		TRANSFORMER ASM., B	FOR PRIM-ARY VOLT-AGE 220V TO 440V			*		1	
15	D	GMD015110A0		MAIN PC BOARD ASM.				*		1	
16		GMD01511000		MAIN PC BOARD				*		1	
17		HX00175000A		HEAT SINK				*		1	
18		HX002290000		HEAT SINK				*		1	
19		HK007170280		IC SOCKET 28P				*		1	
20	D	HK007600050		5-POLE CONNECTOR				*		2	
21		SL4041081SF		SCREW M4 L=10				*		3	
22		SL4031081SF		SCREW M3 L=10				*		1	
23		SL4031081SF		SCREW M3 L=10				*		2	
24		HX00202000C		INSULATING PLATE				*		1	
25	D	HX002070000		STUD				*		6	
26	D	HK017150070		TERMINAL BASE 7P				*		1	
27		SL4031681SF		SCREW M3 L=16				*		2	
28		HF005111000		FUSE HOLDER				*		1	
29		SL4041041SC		SCREW M4X10				*		1	
30		E9672452000		FUSE 3A				*		1	
31	D	GMD015120A0		I/O PC BOARD ASM.				*		1	
32		GMD01512000		I/O PC BOARD				*		1	
33		GMD01515000		CONNECTOR PANEL				*		1	
34		HK025600340		34-POLE STRAIGHT HEADER				*		1	
35		HK006220030		CONNECTOR				*		1	
36		HK006220040		CONNECTOR				*		1	
37		HK006220050		CONNECTOR				*		1	
38		HK006220060		DIN CONNECTOR 6P				*		2	
39		HK006220080		CONNECTOR				*		1	
40		SM5030801SC		SCREW M3X0.5 L=8				*		2	
41		WS0310002KN		SPRING WASHER M3				*		2	
42		NM6030001SC		NUT M3				*		2	

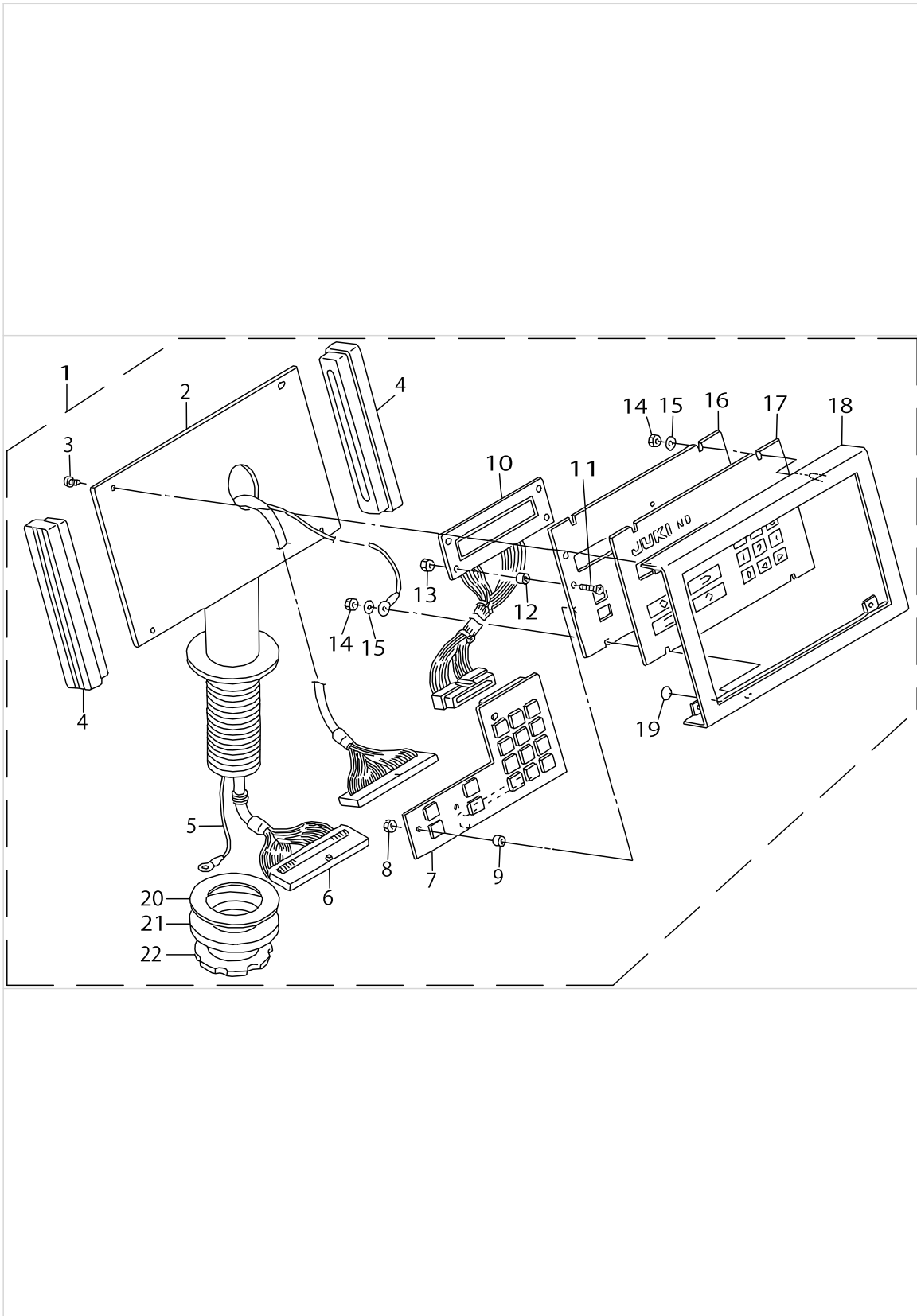
CONTROL BOX COMPONENTS



CONTROL BOX COMPONENTS

No.	Supply Code	Parts No.	Replacement	Parts name	Remarks	Choice	Step	Level	Cons	Qty	Rep. QTY
43	D	SM4050801SC		SCREW M5X0.8 L=8				*		4	
44		WS0510002KN		SPRING WASHER				*		4	
45		WP0531000SC		WASHER 5.3X10X1				*		4	
46	D	HX000210000		CORD BUSHING				*		1	
47	D	E5348033100		CABLE PROTECTOR 106MM				*		1	
48		M1007530A00		SEAL, A	FOR PRIM- ARY VOLT- AGE 100V TO 240V			*		1	
49	D	M1007530B00		SEAL, B	FOR PRIM- ARY VOLT- AGE 220V TO 440V			*		1	
50		WT0430001KN		TOOTHED WASHER				*		1	
51		NM9040001SC		WING NUT M4				*		1	
52		EA9500B0100		CABLE BAND				*		5	
53		HF00511000B		FUSEHOLDERCOVER				*		1	

OPERATION PANEL COMPONENTS



OPERATION PANEL COMPONENTS

No.	Supply Code	Parts No.	Replacement	Parts name	Remarks	Choice	Step	Level	Cons	Qty	Rep. QTY
1	D	GMD015200A0		OPERATION PANEL ASM.						1	
2	D	M85725130AA		OPERATION BOX STAND ASM.				*		1	
3		SM5030601SE		SCREW				*		4	
4		M1080510000		OPERATION BOX SIDE COVER				*		2	
5		GMD015260A0		EARTH CORD ASM.				*		1	
6		GMD015240A0		FLAT CABLE ASM.				*		1	
7		GMD015250A0		OPERATION PANEL BOARD ASM.				*		1	
8		NM6030001SC		NUT M3				*		4	
9		HX003340000		BOARD SPACER				*		4	
10		GMD015230A0		LCD ASM.				*		1	
11		SM1021201SC		SCREW M2X0.4 L=12				*		4	
12	D	HX003350000		BOARD SPACER				*		4	
13		NM6020001SC		NUT M2				*		4	
14		NM6030001SC		NUT M3				*		4	
15		WP0320501SC		WASHER M3				*		4	
16	D	GMD01522000		RETAINING PLATE				*		1	
17		GMD01521000		OPERATION PANEL SHEET				*		1	
18	D	M108151300A		OPERATION BOX FRONT COVER				*		1	
19		E9567319000		EARTH MARK				*		1	
20		M1076510000		VIBRATION-PROOF RUBBER PAD				*		1	
21		M1077510000		WASHER				*		1	
22		M1078510000		NUT				*		1	

HOW TO MAKE USE OF THIS PARTS LIST

1.As to "#01" and "#02" refer to the "Note" given at the bottom of the respective pages.

2.Codes on the "Qty" column

- Each numeral indicates the number of parts required.
- "0.1" and "2.5" indicate the length (in meters) of the respective parts.

3.Parentheses mean that the corresponding part is a subpart that constructs an assembly part.

4.Dotted lines on the Figures indicate assembly parts.

1. リストページの# 0 1、# 0 2の印は、ページ下の"注記"の説明を参照下さい。
2. 数量欄の数字は、個数を表し、0. 1、2. 5等の数値は、長さ（単位メートル）を表します。
3. 数量欄の（ ）は、組部品を構成している子部品であることを意味します。
4. イラストページの-----枠は、組構成であることを意味します。

NUMERICAL INDEX OF PARTS

PART NO	PAGE	REF NO.	PART NO	PAGE	REF NO.	PART NO	PAGE	REF NO.
11155108	18	12	B3120352000	2	12·21·30	GMD010360A0	14	14
11155207	18	13	B3120704000	2	10·19·28	GMD010600A0	6	37
11528809	8	5	B3126012000	2	11·20·29	GMD01080000	6	2
11571403	18	9	BP400000000	8	29	GMD01081000	18	20
11571650	18	3	BT0400251EB	6	43	GMD01201000	10	13
11820701	16	28	BT0600400EC	6	28	GMD012010A0	10	1
11872009	16	23	BT0600401AF	6	11	GMD012010B0	8	14
11945607	16	8	BT0600401EB	6	38	GMD01202000	10	2
11945664	16	1	BT0600401EF	6	10	GMD01203000	10	3
11945706	16	20	BT1500901Z0	6	24	GMD01204000	10	6
11945805	16	21	CS0640611SP	8	2	GMD01205000	10	34
11945904	16	18	D2113555B00	18	19	GMD01206000	10	10
11946001	16	22	D8204555D00	18	11	GMD01207000	10	9
11946068	16	15	E5348033100	22	47	GMD01208000	10	7
11946100	16	6	E9567319000	24	19	GMD01209000	12	60
11960002	18	6	E9672452000	20	30	GMD01210000	12	47
11960101	18	5	EA9500B0100	4	14	GMD01211000	10	45
11966751	18	2	EA9500B0100	18	18	GMD01212000	10	44
12101952	2	1·46	EA9500B0100	22	52	GMD01213000	10	23
12101960	2	1·46	F10120030A0	6	19	GMD01214000	10	24
12126207	2	4	F1017003000	6	20	GMD01215000	10	26
12126405	2	13·22·31	F1021003000	6	3	GMD01216000	10	25
12126504	2	38	F10220030A0	6	25	GMD01217000	12	54
12126702	2	9·18·27	G5182120000	18	15	GMD01219000	10	31
12126918	2	6·15·24	G5930397000	6	33	GMD01220000	12	51
12126967	2	14	G6106192000	20	5	GMD01222000	10	16
12127015	2	6·15·24	GAK010220A0	14	11	GMD01223000	10	17
12127064	2	23	GAK010220B0	14	5	GMD01224000	10	18
12127403	2	32	GAK490010A0	6	27	GMD01225000	10	20
12127502	2	33	GAS12304000	6	14	GMD01226000	10	21
12127601	2	34	GBT010710A0	18	17	GMD01227000	10	27
12127700	2	35	GMD01007000	4	4	GMD01228000	10	19
12127809	2	36	GMD01008000	4	6	GMD01229000	10	28
12127957	2	37	GMD010080A0	4	3	GMD01230000	10	4
12128203	2	39	GMD01009000	4	5	GMD01231000	10	36
12128302	2	40	GMD01010000	4	7	GMD01232000	10	5
12221750	18	10	GMD010110A0	4	15	GMD01233000	10	14
12221800	18	8	GMD01019000	4	20	GMD01234000	10	15
B1210111000	6	32	GMD010220A0	6	35	GMD01235000	12	63
B150880400B	16	17	GMD010230A0	4	22	GMD01237000	10	30
B1530804000	16	25	GMD01024000	6	36	GMD01238000	12	50
B3101804000	2	8·17·26	GMD010310A0	14	2	GMD01239000	12	49
B3102804000	2	8·17·26	GMD010340A0	6	15	GMD01240000	10	46
B3103804000	2	8·17·26	GMD010340B0	6	13	GMD01241000	10	33
B3112704000	2	7·16·25	GMD010350A0	6	44	GMD01242000	10	32

NUMERICAL INDEX OF PARTS

PART NO	PAGE	REF NO.	PART NO	PAGE	REF NO.	PART NO	PAGE	REF NO.
GMD01243000	12	48	GMD015250A0	24	7	MAO11532000	18	16
GMD01244000	12	62	GMD015260A0	24	5	MAT01647000	4	16
GMD01245000	10	39	GMD03001000	4	1	MAT02106000	8	42
GMD01248000	10	37	GMD030030A0	2	3	MAT02111000	8	27
GMD01249000	10	11	GMD03004000	4	19	MAT02502000	8	28
GMD01250000	10	12	GMD030040A0	4	18	MAT02503000	8	43
GMD01253000	12	61	GMD03005000	4	12	MAT036010BA	8	17
GMD01255000	12	52	GMD030050A0	4	11	MAT03602000	8	18
GMD01256000	12	56	GMD03006000	8	7	MAT03603000A	8	36
GMD01257000	12	58	GMD03007000	8	6	MAT03604000	8	20
GMD01259000	10	42	GMD03008000	8	9	MAT0360500A	8	22
GMD01260000	12	53	GMD03009000	8	3	MAT03606000	8	23
GMD01261000	10	8	GMD03010000	14	1	MAT03607000	8	24
GMD01262000	12	55	GMD030110A0	14	13	MAT03608000	8	40
GMD01263000	12	57	GMD03012000	18	1	MAT036090A0	8	25
GMD01265000	10	22	HF00511000B	22	53	MAT03610000	8	26
GMD01266000	12	59	HF005111000	20	28	MAT042000A0	8	16
GMD01267000	10	29	HK006220030	20	35	MAT042010A0	8	41
GMD01268000	10	35	HK006220040	20	36	MAT80230T00	14	6
GMD01271000	10	40	HK006220050	20	37	MAT80231T00	14	7
GMD01272000	10	41	HK006220060	20	38	MAT80232T00	14	10
GMD01273000	10	43	HK006220080	20	39	NM6020001SC	24	13
GMD01274000	10	38	HK007170280	20	19	NM6030001SC	20	42
GMD01501AA0	20	1·2	HK007600050	20	20	NM6030001SC	24	14
GMD01501BA0	20	1·2	HK017150070	20	26	NM6050001SC	8	4
GMD01502000	20	3	HK025600340	20	34	NM6050001SC	18	24
GMD01503A00	20	7·8	HK034610060	4	17	NM9040001SC	22	51
GMD01503B00	20	7·8	HX000210000	22	46	NS6090310SP	2	43
GMD015050A0	20	9	HX00065000A	18	25	PA2002514A0	6	30
GMD015070A0	20	10	HX00175000A	20	17	PC012401000	6	42
GMD015080A0	20	11	HX00202000C	20	24	PF0552010B0	6	1
GMD015090A0	20	12	HX002070000	20	25	PJ301040001	6	40
GMD01510AA0	20	13·14	HX002290000	20	18	PJ301060501	6	6
GMD01510BA0	20	13·14	HX003030000	18	26	PJ301060504	6	9
GMD01511000	20	16	HX003340000	24	9	PJ301065201	6	17
GMD015110A0	20	15	HX003350000	24	12	PJ303060004	6	39
GMD01512000	20	32	M1007530A00	22	48·49	PJ305065106	6	29
GMD015120A0	20	31	M1007530B00	22	48·49	PJ308065203	6	4
GMD01514000	20	4	M1076510000	24	20	PV150518000	6	7
GMD01515000	20	33	M1077510000	24	21	PX500003000	6	31
GMD015200A0	24	1	M1078510000	24	22	SK2351600SC	18	4
GMD01521000	24	17	M1080510000	24	4	SK3311500SC	18	14
GMD01522000	24	16	M108151300A	24	18	SK3412000SC	6	22
GMD015230A0	24	10	M85725130AA	24	2	SK3452500SC	18	21
GMD015240A0	24	6	MAL01129A00	8	15	SK3514000SC	14	12

NUMERICAL INDEX OF PARTS

PART NO	PAGE	REF NO.	PART NO	PAGE	REF NO.
SL4030891SC	20	6	SS9151120CP	6	34
SL4031081SF	20	23	TA0620504R0	2	41
SL4031681SF	20	27	WP0250516SD	8	35
SL4041041SC	20	29	WP0250516SD	16	26
SL4041081SF	20	21	WP0320501SC	24	15
SM1020801SN	14	3	WP0450501SB	6	21
SM1021201SC	24	11	WP0531000SC	22	45
SM4040855SP	4	21	WP0531000SD	8	12
SM4041455SN	2	45	WS0310002KN	20	41
SM4042055SP	8	8	WS0510002KN	18	23
SM4050801SC	22	43	WS0510002KN	22	44
SM4050855SP	4	2	WT0430001KN	22	50
SM4051201SC	18	22			
SM4051255SP	8	10			
SM5030601SE	24	3			
SM5030801SC	20	40			
SM9051203SD	8	13			
SS2060320SP	8	19			
SS2060510SP	8	30			
SS2090830SL	2	42			
SS4110715SP	8	21			
SS4120915SP	8	37			
SS4150715SP	8	38			
SS4151215SP	2	2			
SS5090710SP	14	4			
SS6060410TP	8	33			
SS6080410SP	8	32			
SS6090520SP	8	31			
SS6090540SP	4	10			
SS6090630SP	18	7			
SS6090650SP	16	24			
SS6090910SP	4	9			
SS6111210SP	8	39			
SS6151220SP	14	8			
SS7060310SP	8	34			
SS7060610SP	16	27			
SS7080520SP	8	45			
SS7080520SP	16	16			
SS7090520SP	4	13			
SS7110740TL	2	44			
SS7110840SP	8	44			
SS7111410SP	14	9			
SS8080310TP	16	19			
SS8090410SP	8	1			
SS8110422TP	4	8			