

MODEL : LH-3182-4/LH-3182-7

List No : 1065-06

# PARTS LIST

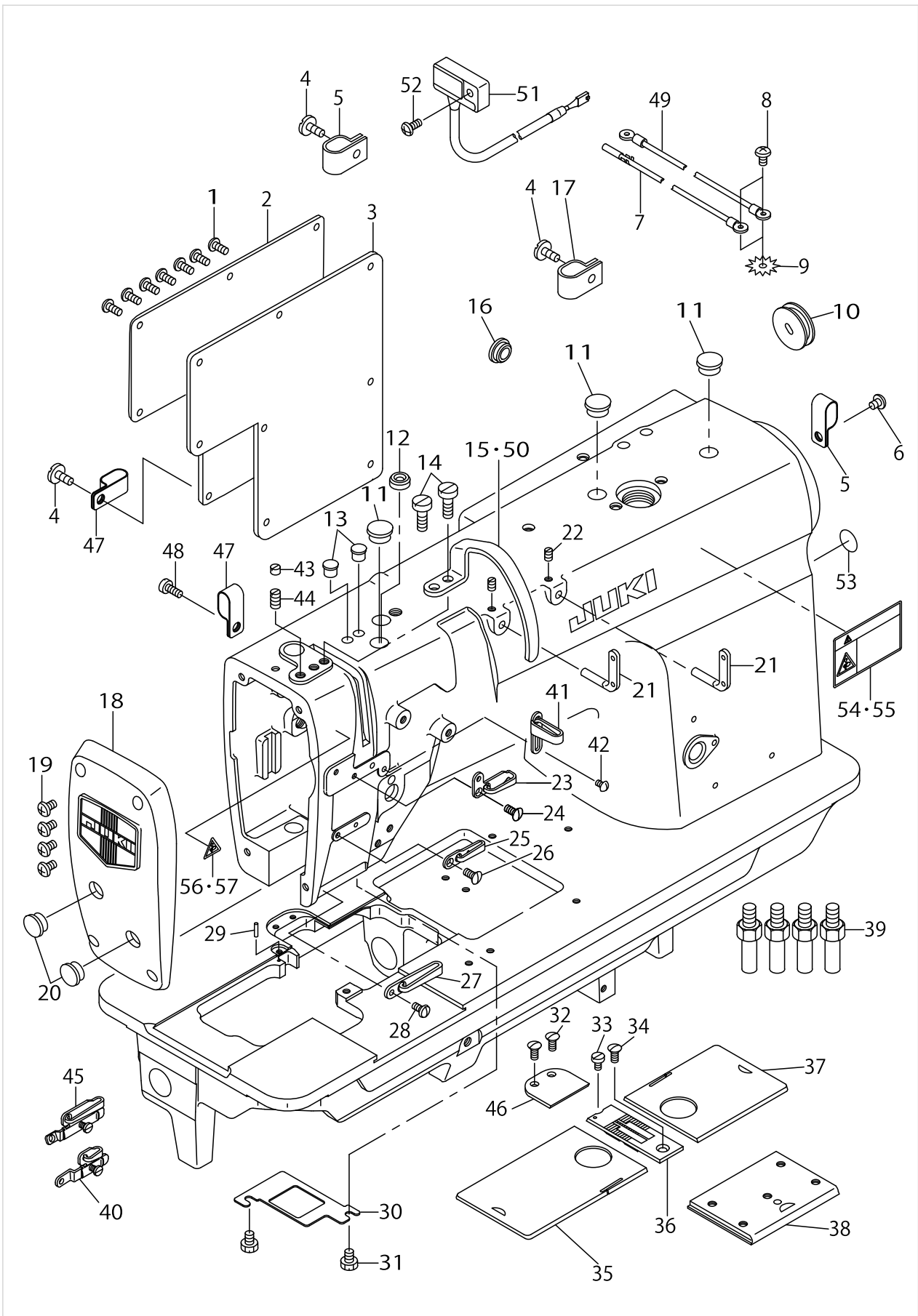
Published:05/12/2017

## CONTENTS

---

FRAME & MISCELLANEOUS COVER COMPONENTS .....	1
MAIN SHAFT & NEEDLE BAR COMPONENTS .....	5
NEEDLE BAR COMPONENTS .....	7
TENSION POST COMPONENTS .....	11
HOOK & HOOK DRIVING SHAFT COMPONENTS .....	13
FEED MECHANISM COMPONENTS .....	17
PRESSER BAR & TENSION RELEASE COMPONENTS .....	21
THREAD TRIMMER MECHANISM COMPONENTS .....	25
AUTOMATIC CHANGE-OVER DEVICE COMPONENTS (1) .....	29
AUTOMATIC CHANGE-OVER DEVICE COMPONENTS (2) .....	31
AUTOMATIC REVERSE FEED MECHANISM COMPONENTS .....	33
WIPER MECHANISM COMPONENTS .....	35
LUBRICATION COMPONENTS .....	37
OIL RESERVOIR & KNEE LIFTER COMPONENTS (WITH AK DEVICE) .....	41
OIL RESERVOIR & KNEE LIFTER COMPONENTS (WITHOUT AK DEVICE, -7 ONLY) .....	43
BELT COVER & BOBBIN WINDER COMPONENTS .....	45
THREAD STAND COMPONENTS (1) .....	47
THREAD STAND COMPONENTS (2) .....	49
REVERSE FEED CONTROL LEVER COMPENSATION SWITCH SET (OPTION) FOR LH-3182-7 .....	51
FOOT SWITCH ASM. (OPTION) .....	53
TABLE OF EXCHANGING GAUGE PARTS .....	55
LIST FOR INFORMATION OF CHANGE .....	59
HOW TO MAKE USE OF THIS PARTS LIST .....	60

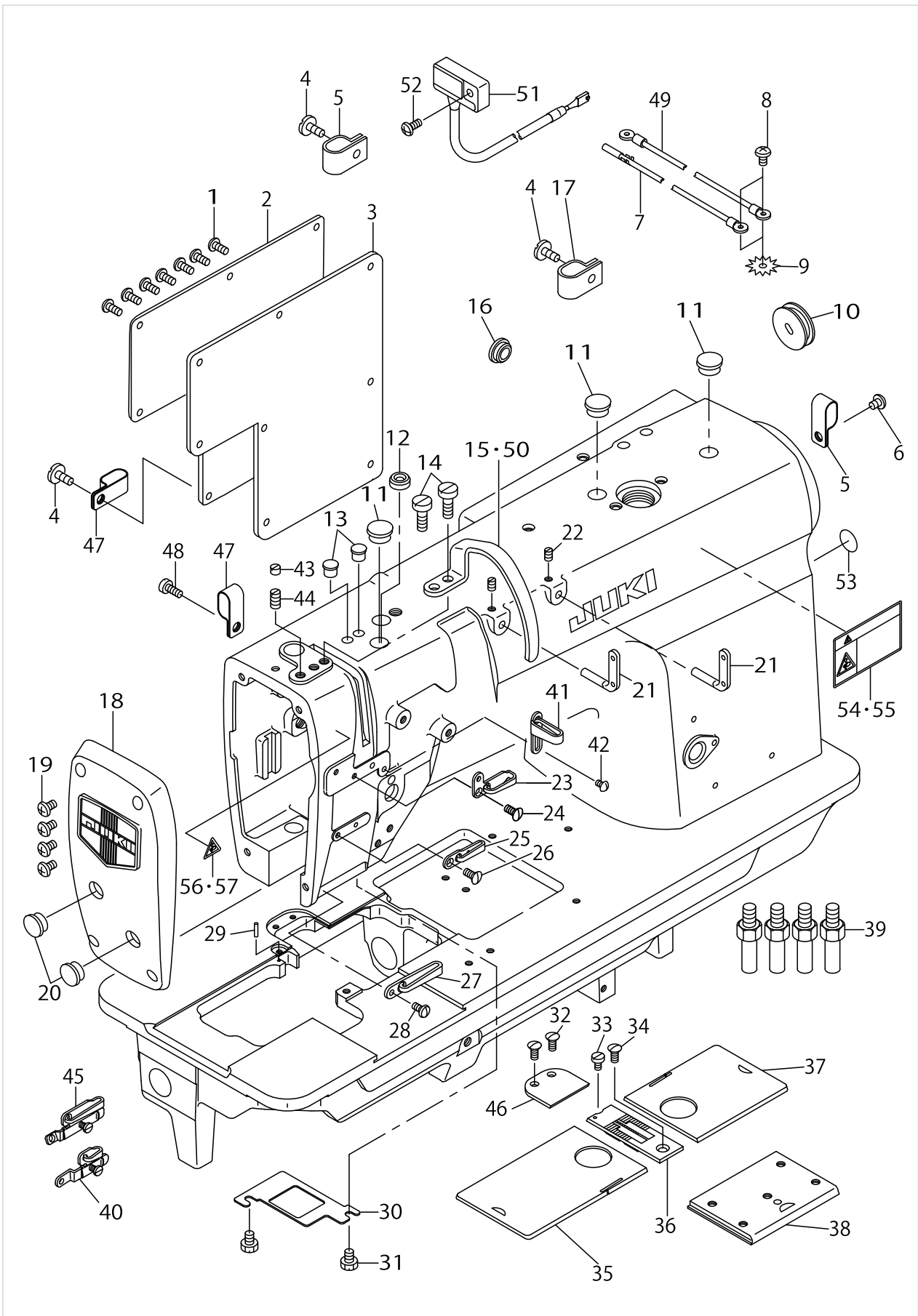
FRAME & MISCELLANEOUS COVER COMPONENTS



FRAME & MISCELLANEOUS COVER COMPONENTS

No.	Supply Code	Parts No.	Replacement	Parts name	Remarks	Choice	Step	Level	Cons	Qty	Rep. QTY
1		SS4110815SP		SCREW 11/64-40 L=8						5	
2		10602902		SLIDE PLATE						1	
3		10101004		GASKET						1	
4		SS6111140SP		SCREW11/64-40L=11						3	
5		D2112555B00		CORD HOLDER, LARGE						2	
6		SS4120615SP		SCREW 3/16-28 L=6						1	
7		22951552		GROUND WIRE ASM.	FOR LH-3182-7					1	
8		SS4120615SP		SCREW 3/16-28 L=6						1	
9		WT0530002KS		TOOTHED WASHER D=5.3						1	
10		22657803		RUBBER PLUG						1	
11		TA1250406R0		RUBBER PLUG D=12.5 L=4						3	
12		22620900		CAP						1	
13		TA0750704R0		RUBBER PLUG						2	
14		SS6151780SP		SCREW 15/64-28 L=17.0						2	
15		22810105		THREAD TAKE-UP LEVER OIL GUARD	EXCEPT J-APAN & JE					1	
16		TA1250406R0		RUBBER PLUG D=12.5 L=4						1	
17		D2112555B00		CORD HOLDER, LARGE	FOR -WB, -WO, -OB					1	
18		22680250		FACE PLATE ASM.						1	
19		SS4121015SP		SCREW 3/16-28 L=10						4	
20		TA1250406R0		RUBBER PLUG D=12.5 L=4						2	
21		22920706		TWO EYELET						2	
22		SS8120740SP		SCREW 3/16-28 L=7						2	
23	D	22811400		THREAD GUIDE(UPPER), LEFT						1	
24		SS2090710TP		SCREW 9/64-40 L=7.2						1	
25		22603112		THREAD GUIDE						1	
26		SS2090710TP		SCREW 9/64-40 L=7.2						1	
27	R	22603203	SS2090810SP	THREAD GUIDE(LOWER)	OPTIONAL PART	A				1	1.00
27	R	22603203	40084142	THREAD GUIDE(LOWER)	OPTIONAL PART	A				1	1.00
28		SS2090710TP		SCREW 9/64-40 L=7.2						1	
29		B1104051000		THROAT PLATE PIN						1	
30		22680003		PLATE						1	
31		SS9110460CP		SCREW 11/64-40 L=4						2	
32		SS2090710TP		SCREW 9/64-40 L=7.2						2	
33	R	SS6090630SP	SS6090630TP	SCREW 9/64-40 L=6						1	1.00
34		SS2110920TP		SCREW 11/64-40 L=8.5						1	
35		22650857		BED SLIDE LEFT, ASM., A	EXCHANGI-NG GAUGE PART (SEE P.33)					1	
36		22660609		THROAT PLATE 1/4	EXCHANGI-NG GAUGE PART (SEE P.33)					1	
37		22650352		BED SLIDE RIGHT, ASM., A	EXCHANGI-NG GAUGE PART (SEE P.33)					1	
38		22650055		BED SLIDE ASM.						1	
39		22602601		BED SCREW STUD						4	
40		22651459		THREAD GUIDE ASM., E						1	
41		22811301		THREAD GUIDE(UPPER), RIGHT						1	
42		SS3090610SP		SCREW 9/64-40 L=6						1	

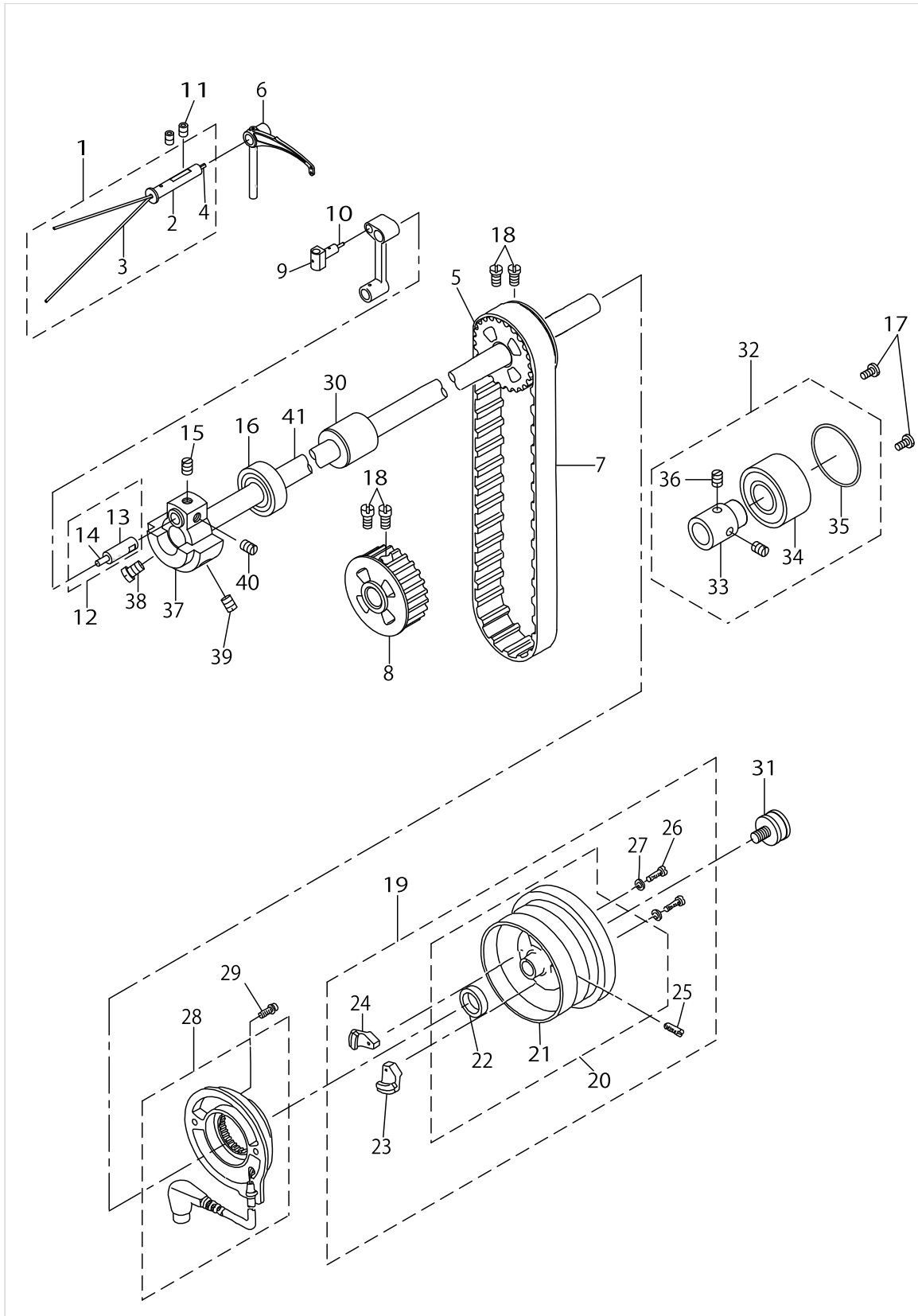
FRAME & MISCELLANEOUS COVER COMPONENTS



FRAME & MISCELLANEOUS COVER COMPONENTS

No.	Supply Code	Parts No.	Replacement	Parts name	Remarks	Choice	Step	Level	Cons	Qty	Rep. QTY
43		SS8150410TP		SCREW 15/64-28 L= 4.0						1	
44	R	SS8151150SP	SS8151150TP	SCREW 15/64-28 L=10.5						1	1.00
45		22811558		THREADGUIDEFASM.	OPTIONAL PART					1	
46		22651202		AUXILIARY COVER						1	
47		D2112555B00		CORD HOLDER, LARGE	FOR -WB, -WO, -OB					2	
48		SS4120615SP		SCREW 3/16-28 L=6	FOR -WB, -WO, -OB					1	
49		10741759		GROUND WIRE ASM.	FOR LH-3182-4					1	
50		22818009		BALANCE COVER(FOR JE)	FOR JAPAN ,JE					1	
51		M6045350AAA		RESISTANCE PACK ASM.AA	EXCEPT JE					1	
52		SS4111015SP		SCREW11/64-40L=10	EXCEPT JE					1	
53	R	10004109	22901805	GROUND MARK						1	1.00
54		CM3002001A1		SAFETY LABEL,3 (SMALL).	EXCEPT J- APAN & JE					1	
55		CM300200101		SAFETY LABEL, 1(SMALL).	FOR JAPAN					1	
56		CM3002000B1		LABEL(16)	FOR JAPAN					1	
57		CM300200001		ATTENTION SEAL	FOR JE					1	

# MAIN SHAFT & NEEDLE BAR COMPONENTS

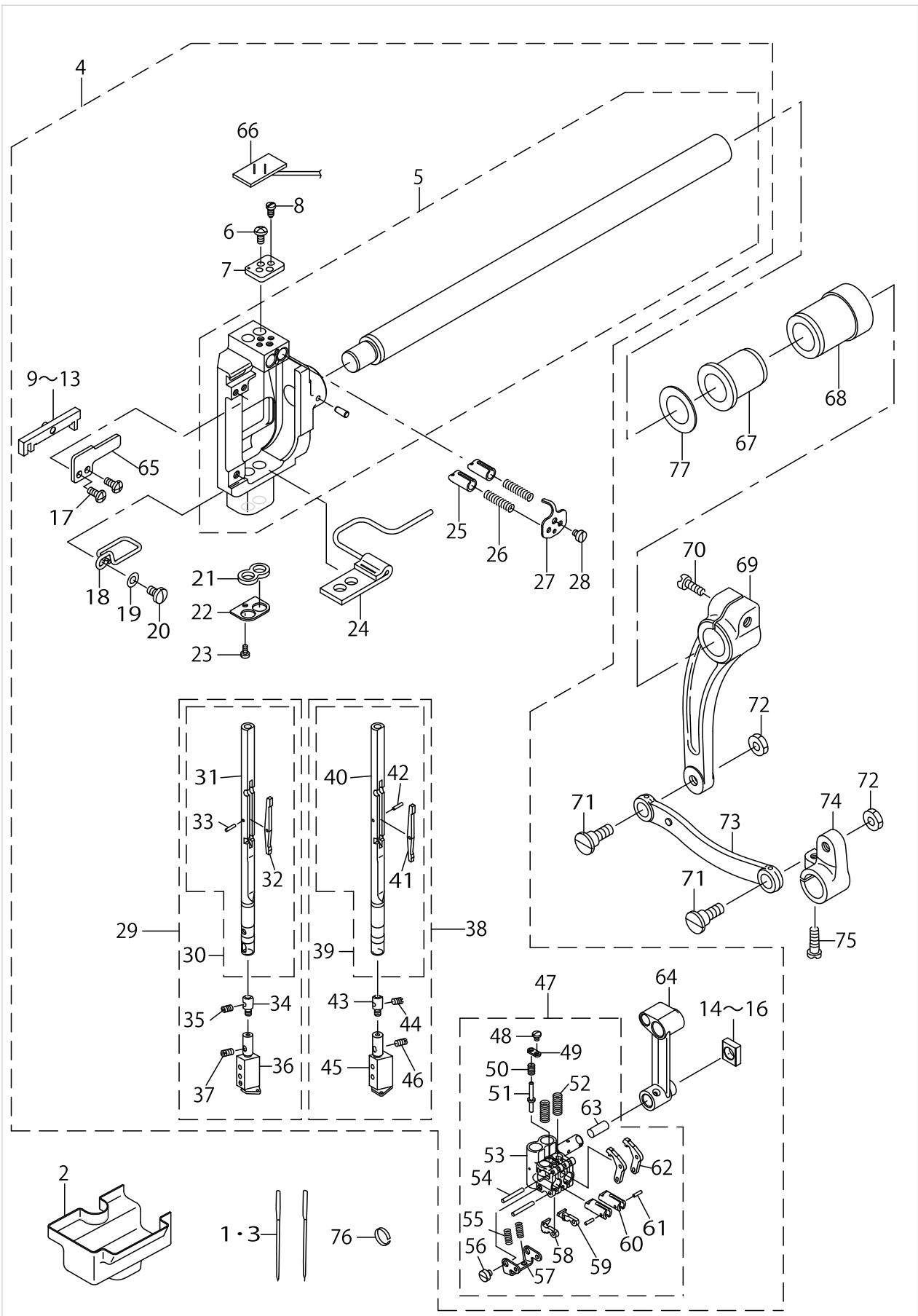


MAIN SHAFT & NEEDLE BAR COMPONENTS

No.	Supply Code	Parts No.	Replacement	Parts name	Remarks	Choice	Step	Level	Cons	Qty	Rep. QTY
1		22605356		THREAD TAKE-UP LEVER PIN ASM.						1	
2		22605307		THREAD TAKE-UP LEVER PIN				*		1	
3		CQ202000000		OIL WICK				*		0.4	
4		CQ252000000		OIL WICK				*		0.04	
5		22604904		UPPER SPROCKET						1	
6		23204001		THREAD TAKE-UP LEVER D						1	
7		22604300		TIMING BELT						1	
8		22651608		SPROCKET WHEEL						1	
9		22605406		TAKE-UP LEVER THRUST PIN						1	
10		CQ252000000		OIL WICK						.03	
11		SS8150822TP		SCREW 15/64-28 L=8						2	
12		22680656		NEEDLE BAR CRANK PIN ASM.						1	
13		22680607		NEEDLE BAR CRANK PIN				*		1	
14		CQ505000000		OIL WICK				*		0.03	
15		SS8680540SP		SCREW 9/32-28 L=4.5						1	
16		B1202512000		MAIN SHAFT BUSHING, FRONT						1	
17		SS7120760SP		SCREW 3/16-28 L=7.0						2	
18		SS6661110SP		SCREW 1/4-40 L=11						4	
19		22651566		HAND WHEEL ASM.	FOR LH-3182-7					1	
20		22651558		HAND WHEEL	FOR LH-3182-7			*		1	
21	D	22651509		HAND WHEEL				*		1	
22		M4002110000		GENERATOR ROTOR	FOR LH-3182-7			*		1	
23		M40071100AA		MAGNET FITTING BASE A ASM.	FOR LH-3182-7			*		1	
24		M40071100AB		MAGNET FITTING BASE B ASM.	FOR LH-3182-7			*		1	
25		SS8151550SP		SCREW 15/64-28 L=15				*		2	
26		SS6111210SP		SCREW 11/64-40 L=12	FOR LH-3182-7			*		2	
27		WP0450801SD		WASHER 4.5X10X0.8	FOR LH-3182-7			*		2	
28	R	11032562	22937965	DYNAMO STATOR	FOR LH-3182-4					1	1.00
29		10604809		SCREW						2	
30		22603906		UPPER SHAFT INNER METAL						1	
31		22622401		SYNCRO FRNGE	FOR LH-3182-4					1	
32		22604656		THRUST COLLAR ASM.						1	
33		22604607		THRUST COLLAR				*		1	
34		SB120000100		BEARING D=20X47				*		1	
35		RO437200200		RUBBER RING				*		1	
36		SS8660530TP		SCREW 1/4-40 L= 4.5				*		2	
37	D	22604409		COUNTERWEIGHT						1	
38		SS7681750TP		SCREW 9/32-28 L=16.5						1	
39		SS8681650TP		SCREW 9/32-28 L=16						1	
40		SS8680810TP		SCREW 9/32-28 L=8.0						1	
41		22604003		MAIN SHAFT						1	



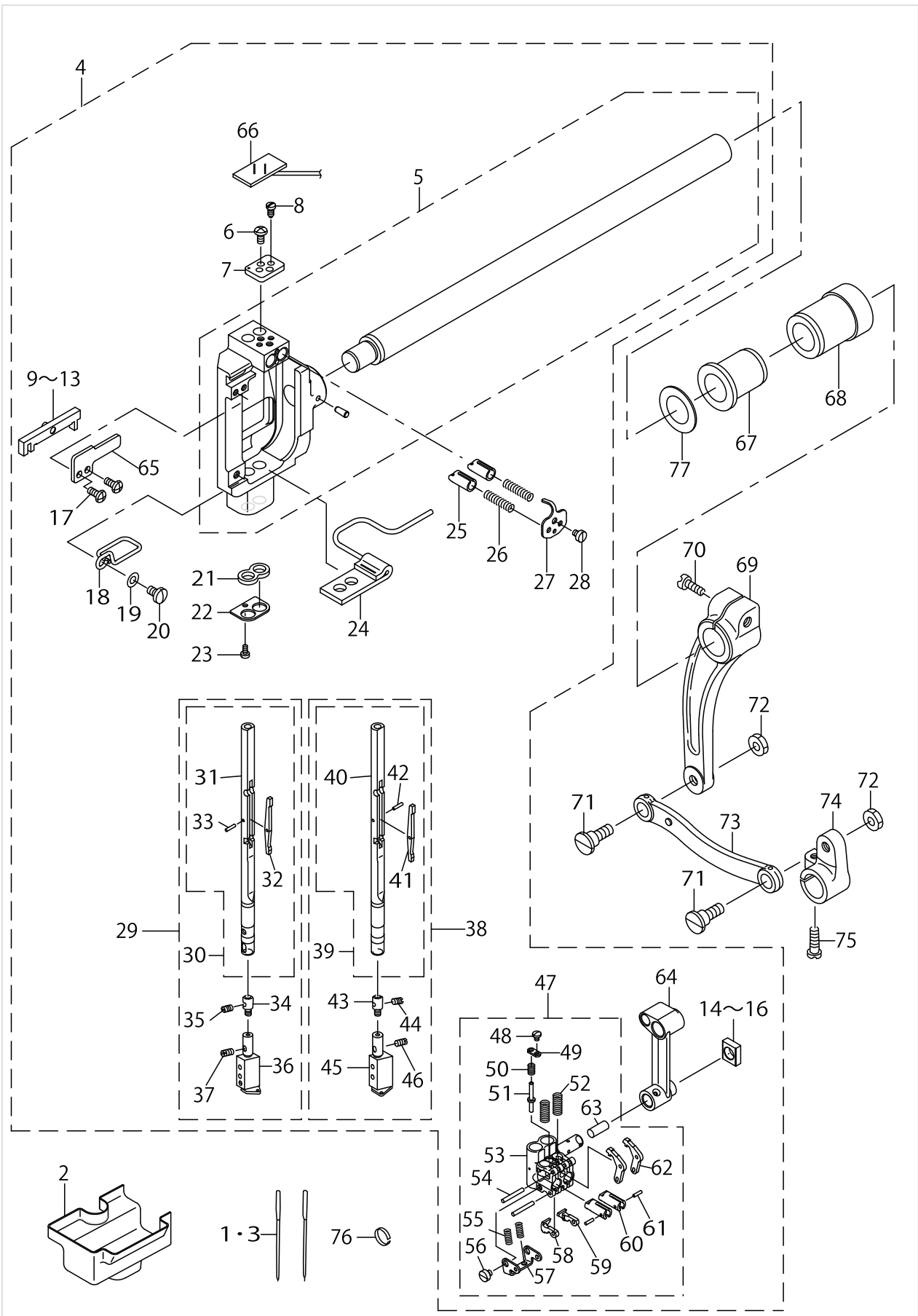
# NEEDLE BAR COMPONENTS



NEEDLE BAR COMPONENTS

No.	Supply Code	Parts No.	Replacement	Parts name	Remarks	Choice	Step	Level	Cons	Qty	Rep. QTY
1		MDP500B2100		NEEDLE DPX5 #21						2	
2		22685705		OIL GUARD RUBBER						1	
3		MC200501300		NEEDLE 134 NM130	FOR THE DESTINATION					2	
4		22693451		NEEDLE BAR ROCKING BASE ASM.						1	
5		23204951		NEEDLE BAR ROCKING BASE ASM.				*		1	
6		SS4090715SP		SCREW 9/64-40 L=7				*		2	
7		22682702		NEEDLE BAR SWIVEL STOPPER				*		1	
8		22681712		STOPPER SCREW				*		2	
9		22681951		SLIDERBLOCKASM.A	SELECTIVE PART			*		1	
10		22682058		SLIDERBLOCKASM.B	SELECTIVE PART			*		1	
11		22682157		SLIDE BLOCK	SELECTIVE PART			*		1	
12		22682256		SLIDERBLOCKASM.D	SELECTIVE PART			*		1	
13		22682355		SLIDERBLOCKASM.E	SELECTIVE PART			*		1	
14		23204506		ROCKING ROD SQUARE BLOCK A	SELECTIVE PART			*		1	
15		23204605		ROCKING ROD SQUARE BLOCK B	SELECTIVE PART			*		1	
16		23204704		ROCKING ROD SQUARE BLOCK C	SELECTIVE PART			*		1	
17		SS4090815SP		SCREW 9/64-40 L=8				*		2	
18		22685903		FELT GUIDE				*		1	
19		WP0450000SD		WASHER 4.5X8X0.5				*		1	
20		SS7110710SP		SCREW 11/64-40 L=7				*		1	
21		22686000		NEEDLE BAR OIL SEAL FELT, A				*		1	
22		22685804		NEEDLE BAR OIL SEAL PLATE				*		1	
23		SS6060510TP		SCREW 3/32-56 L=4.5				*		1	
24		22686158		OILSEALFELTASM..B				*		1	
25		22681407		NEEDLE BAR STOPPER				*		2	
26		22681506		SPRING				*		2	
27	R	22681316	40095222	NEEDLE BAR STOPPER SPRING HOOK				*		1	1.00
28		SS6080410SP		SCREW 1/8-44 L=4				*		1	
29	D	22693253		NEEDLE BAR UNIT, LEFT				*		1	
30	D	22685150		NEEDLE BAR ASM., LEFT				*		1	
31	R	22685101	22685150	NEEDLE BAR, LEFT				*		1	1.00
32	R	22685200	40026984	SEESAW PLATE		A	LH- 右/ Right	*		1	1.00
32	R	22685200	40026983	SEESAW PLATE		B	LH- 左/Left	*		1	1.00
32	R	22685200	40064252	SEESAW PLATE		C	APW- 右 L-H-896N 右- /APW- Right LH-896N Right	*		1	1.00
32	R	22685200	40064253	SEESAW PLATE		D	APW- 左 L-H-896N 左- /APW- Left LH-896N Left	*		1	1.00
33		22685408		NEEDLE BAR PIN				*		1	
34		B1416528000		COLLAR				*		1	
35		B1425526000		SCREW 1/8-44 L=6				*		1	
36		B1402528FALA		NEEDLE CLAMP ASM. 1/4	EXCHANGING GAUGE PART (SEE P.33)			*		1	
37		B1425526000		SCREW 1/8-44 L=6				*		1	
38	D	22693352		NEEDLE BAR UNIT, RIGHT				*		1	

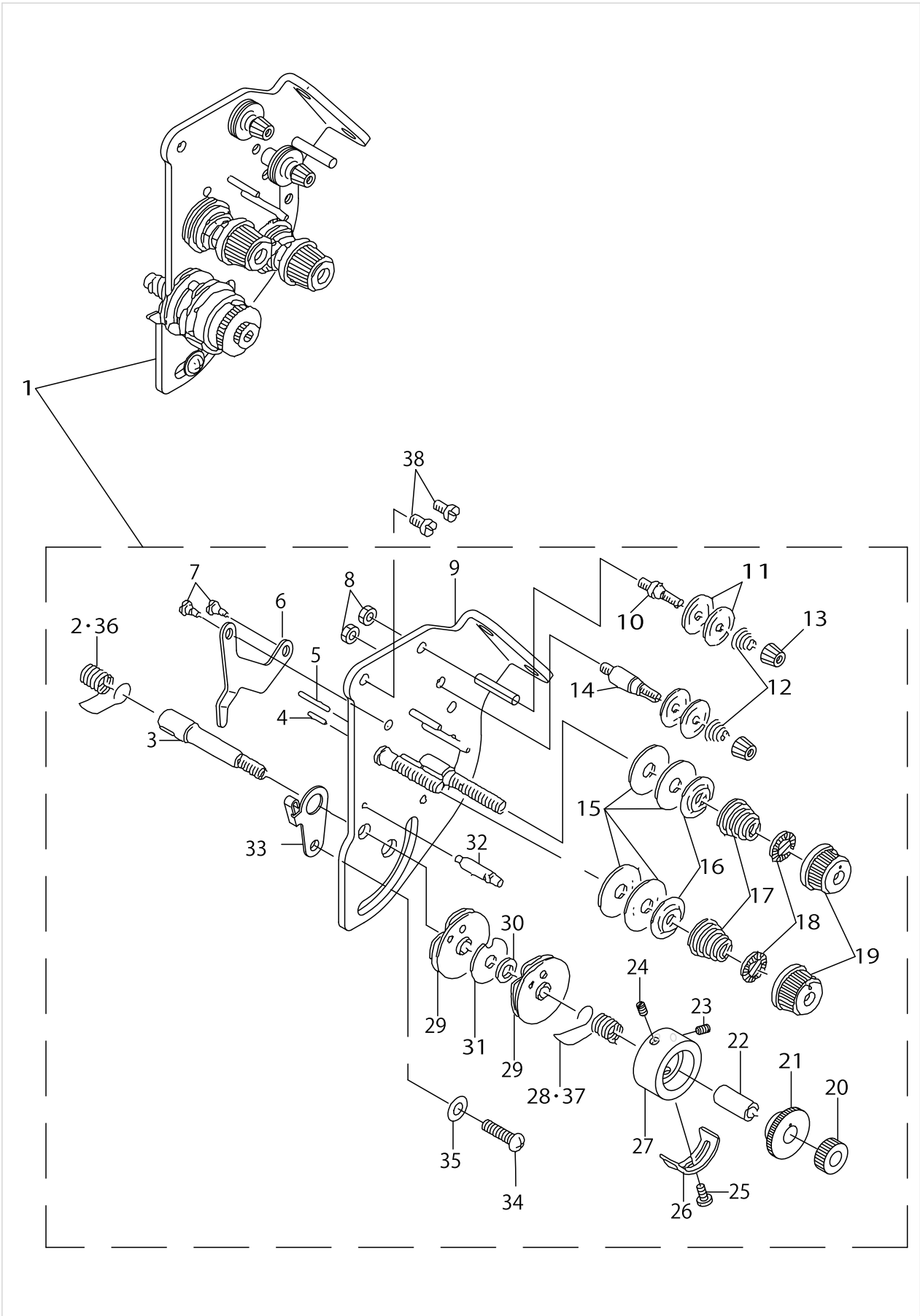
NEEDLE BAR COMPONENTS



NEEDLE BAR COMPONENTS

No.	Supply Code	Parts No.	Replacement	Parts name	Remarks	Choice	Step	Level	Cons	Qty	Rep. QTY
39	D	22685358		NEEDLE BAR ASM., RIGHT				*		1	
40	R	22685309	22685358	NEEDLE BAR, RIGHT				*		1	1.00
41	R	22685200	40026984	SEESAW PLATE		A	LH- 右/ Right	*		1	1.00
41	R	22685200	40026983	SEESAW PLATE		B	LH- 左/Left	*		1	1.00
41	R	22685200	40064252	SEESAW PLATE		C	APW- 右 L- H-896N 右- /APW- Rig- ht LH-896N Right	*		1	1.00
41	R	22685200	40064253	SEESAW PLATE		D	APW- 左 L- H-896N 左- /APW- Left LH-896N Left	*		1	1.00
42		22685408		NEEDLE BAR PIN				*		1	
43		B1416528000		COLLAR				*		1	
44		B1425526000		SCREW 1/8-44 L=6				*		1	
45		B1402528FARA		NEEDLE CLAMP ASM. 1/4	EXCHANGI- NG GAUGE PART (SEE P.33)			*		1	
46		B1425526000		SCREW 1/8-44 L=6				*		1	
47		22683056		NEEDLE BAR CONNECTION ASM.				*		1	
48		SS7060310SP		SCREW 3/32-56 L=3				*		1	
49		22683205		RELEASE PIN COVER				*		1	
50		22683304		SPRING				*		1	
51		22683106		RELEASE PIN				*		1	
52		22683809		SPRING				*		2	
53		22683007		NEEDLE BAR CONNECTION				*		1	
54		22683403		NEEDLE BAR CONNECTION PIN				*		2	
55		22684104		SPRING				*		2	
56		SS6080340SP		SCREW 1/8-44 L=2.9				*		2	
57		22684203		SPRING BRACKET				*		1	
58		22683908		CLUTCH STOPPER, LEFT				*		1	
59		22684005		CLUTCH STOPPER, RIGHT				*		1	
60		22683502		NEEDLEBARCLUTCH				*		2	
61		B1705850000		STOPPER PIN				*		2	
62		22683601		CLUTCH LEVER				*		2	
63		CQ252000000		OIL WICK				*		0.03	
64		22684609		NEEDLE BAR CRANK ROD				*		1	
65		22681803		SLIDE BLOCK GUIDE PLATE				*		1	
66		22682850		FELT ASM.				*		1	
67		22607303		BUSHING						1	
68		22607402		BUSHING						1	
69		22607006		REAR ARM						1	
70		SS6152440SP		SCREW 15/64-28 L=23.5						1	
71		SD0870601SP		HINGE SCREW D= 8.73 H= 6.0						2	
72		NS6150430SP		NUT 15/64-28						2	
73		22607105		DRIVING ROD						1	
74	R	22607204	22607253	DRIVING ARM						1	1.00
75		SS6121610TP		SCREW 3/16-28 L=15.5						1	
76		B1414512000		OIL WICK RETAINER						1	
77		B1438512B00		WASHER 17.1X28X1.5	SELECTIVE PART					1	

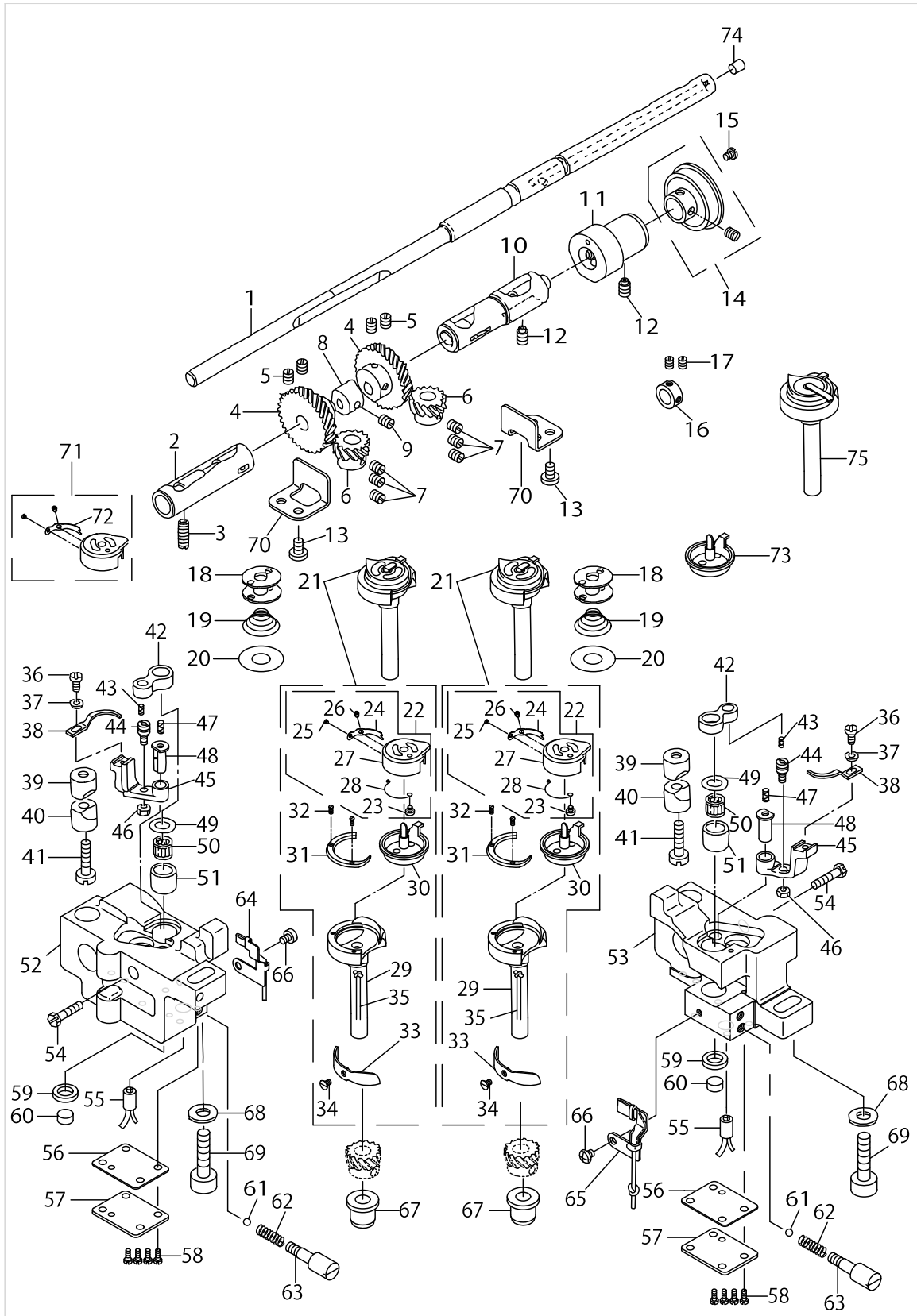
TENSION POST COMPONENTS



TENSION POST COMPONENTS

No.	Supply Code	Parts No.	Replacement	Parts name	Remarks	Choice	Step	Level	Cons	Qty	Rep. QTY
1		22618557		THREAD TENSION ASM.						1	
2		22618706		THREAD TAKE-UP SPRING A				*		1	
3		10697605		THREAD TAKE-UP SPRING STUD				*		1	
4		22618201		TENSION RELEASE PIN, A				*		1	
5		22618300		TENSION RELEASE PIN, B				*		1	
6		22618102		TENSION RELEASE LEVER				*		1	
7		SD0470281SP		HINGE SCREW D=4.7 H=2.8				*		2	
8		NS6110310SP		NUT 11/64-40				*		2	
9		22618052		TENSION BASE PLATE ASM.				*		1	
10		10124204		THREAD TENSION POST, A				*		1	
11		10741106		FIRST THREAD TENSION PLATE				*		4	
12		11093606		THREAD TENSION SPRING				*		2	
13		11072402		THREAD TENSION NUT				*		2	
14		10124303		THREAD TENSION POST, B				*		1	
15	R	B3126012000	22921506	THREAD TENSION DISK				*		4	1.00
16		22617906		THREAD TENSION DISK PRESSER				*		2	
17		B3114232000		THREAD TENSION SPRING				*		2	
18		B3112704000		TENSION SPRING BUSHING				*		2	
19		11956802		THREAD TENSION KNOB, BLUE				*		2	
20	R	22617807	22928808	NUT				*		1	1.00
21		22617708		TAKE-UP SPRING GUIDE				*		1	
22		B3141527000		PRESSER COLLAR				*		1	
23	R	22618904	SM8030500SP	SET SCREW				*		1	1.00
24	R	22618904	SM8030500SP	SET SCREW				*		1	1.00
25		SS7090510SP		SCREW 9/64-40 L=4.6				*		1	
26		B3138527000		ADJUSTING PLATE B				*		1	
27		22617609		THREAD TENSION POST				*		1	
28		22618805		THREAD TAKE-UP SPRING B				*		1	
29		B31375270A0		TAKE-UP SPRING GUIDE ASM.				*		2	
30		B3139527000		COLLAR				*		1	
31		B3142527000		TAKE-UP SPRING GUIDE PLATE				*		1	
32		B3143527000		TAKE-UP SPRING GUIDE STUD				*		1	
33		10697506		THREAD TENSION BRACKET, A				*		1	
34		SS4110615SP		SCREW 11/64-40 L=6				*		1	
35		WP0501016SD		WASHER 5X10.5X1				*		1	
36		B3128520000		TENSION SPRING	OPTIONAL PARTS			*		1	
37		22835805		TENSION SPRING(RIGHT) 0.8	OPTIONAL PARTS			*		1	
38		SS4120615SP		SCREW 3/16-28 L=6						2	

# HOOK & HOOK DRIVING SHAFT COMPONENTS

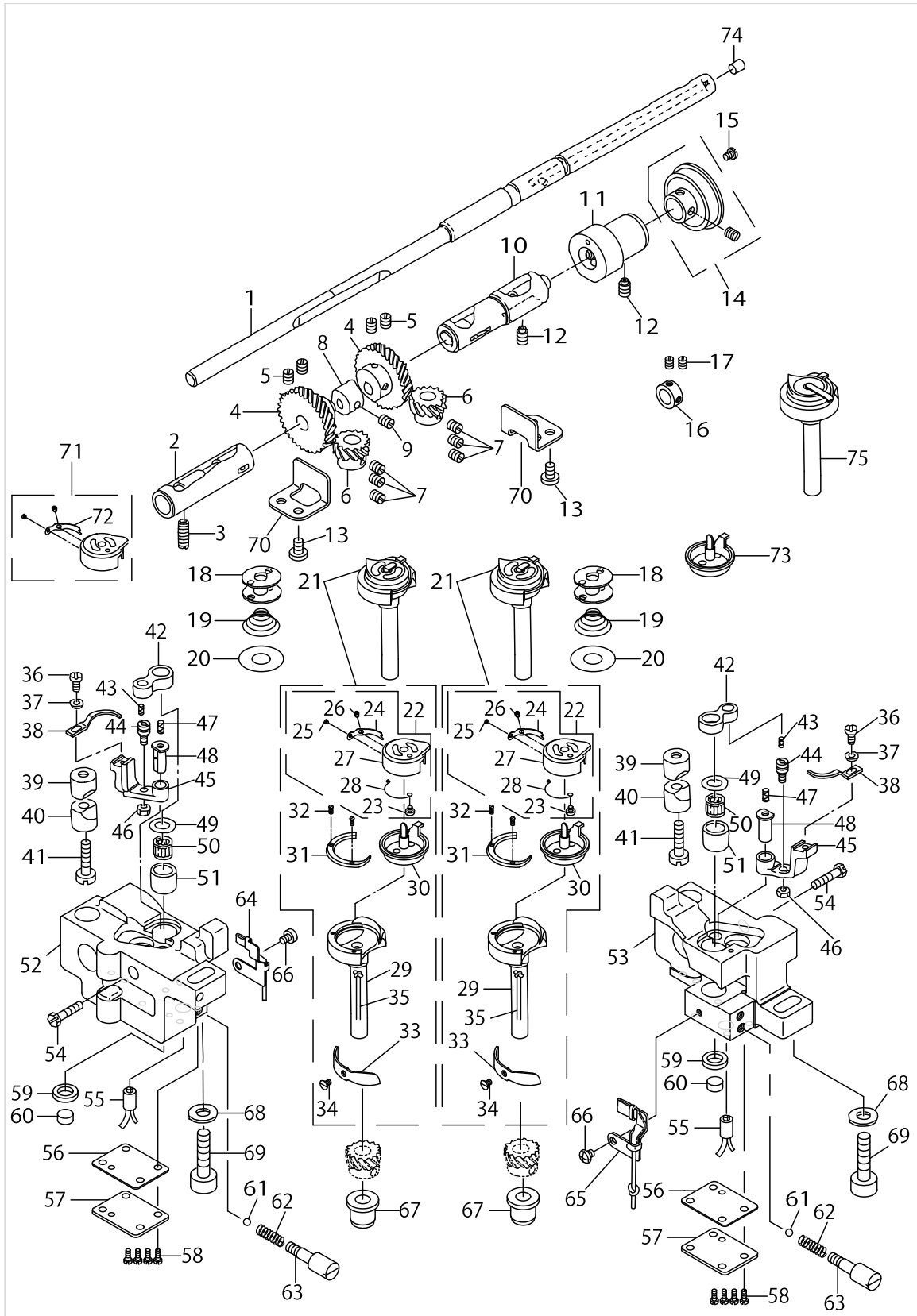


## HOOK & HOOK DRIVING SHAFT COMPONENTS

No.	Supply Code	Parts No.	Replacement	Parts name	Remarks	Choice	Step	Level	Cons	Qty	Rep. QTY
1		10108512		HOOK DRIVING SHAFT						1	
2		B18025120A0A		BUSHING ASM., FRONT	EXCHANGI- NG GAUGE PART (SEE P.33)					1	
3	R	SS8151150SP	SS8151150TP	SCREW 15/64-28 L=10.5						1	1.00
4		B1816512000		HOOK DRIVING SHAFT, LARGE						2	
5		SS8660810TP		SCREW 1/4-40 L=8						4	
6		10112001		HOOK SHAFT GEAR, A	SELECTIVE PART					2	
7		SS8660530TP		SCREW 1/4-40 L= 4.5						6	
8		22609804		FEED DRIVING CAM						1	
9		SS8660530TP		SCREW 1/4-40 L= 4.5						1	
10		B18035150A0		BUSHING ASM., INTERMEDIATE	EXCHANGI- NG GAUGE PART (SEE P.33)					1	
11		10108611		PLUNGER BUSHING						1	
12	R	SS8151150SP	SS8151150TP	SCREW 15/64-28 L=10.5						2	1.00
13		SS7110710SP		SCREW 11/64-40 L=7						4	
14	D	10611457		THRUST COLLAR ASM.						1	
15		SS7120760SP		SCREW 3/16-28 L=7.0						2	
16		GS1471012SH		THRUST COLLAR D=14.72 W=10						1	
17		SS8660530TP		SCREW 1/4-40 L= 4.5						2	
18		10231603		BOBBIN						2	
19		22819908		SPRING						2	
20		22819809		SHEET						2	
21		22831259		HOOK ASM.						2	
22		22827257		BOBBIN CASE ASM.				*		2	
23		SS6560150SH		SCREW 3/32-80 L=1.3				*		2	
24		22827406		SPRING(0.3)				*		2	
25		10110500		TENSION SPRING I- NSTALLING SCRE				*		2	
26		10110609		TENSION ADJUSTING SCREW				*		2	
27		22827208		BOBBIN CASE				*		2	
28		22827307		SPRING				*		2	
29		22819502		HOOK				*		2	
30		22819403		CAP HOOK				*		2	
31		22819304		HOOK GIB				*		2	
32		10112803		SCREW				*		6	
33		22813703		NEEDLE POSITIONER				*		2	
34		22814008		SCREW				*		4	
35		22612501		LILYYARN				*		2	
36		SS6090810SP		SCREW 9/64-40 L= 7.5						2	
37		WP0371016SD		WASHER 3.7X8X1						2	
38		22813208		BOBBIN CASE OPENING LEVER						2	
39		10109908		SADDLE INSTALLIN- G BLOCK, UPPER						2	
40		10112407		SADDLE INSTALLIN- G BLOCK, LOWER						2	
41		SS6153040SP		SCREW 15/64-28 L=30						2	
42		22813000		BOBBIN CASE OPE- NING LEVER LINK						2	
43		CQ202000000		OIL WICK						.05	



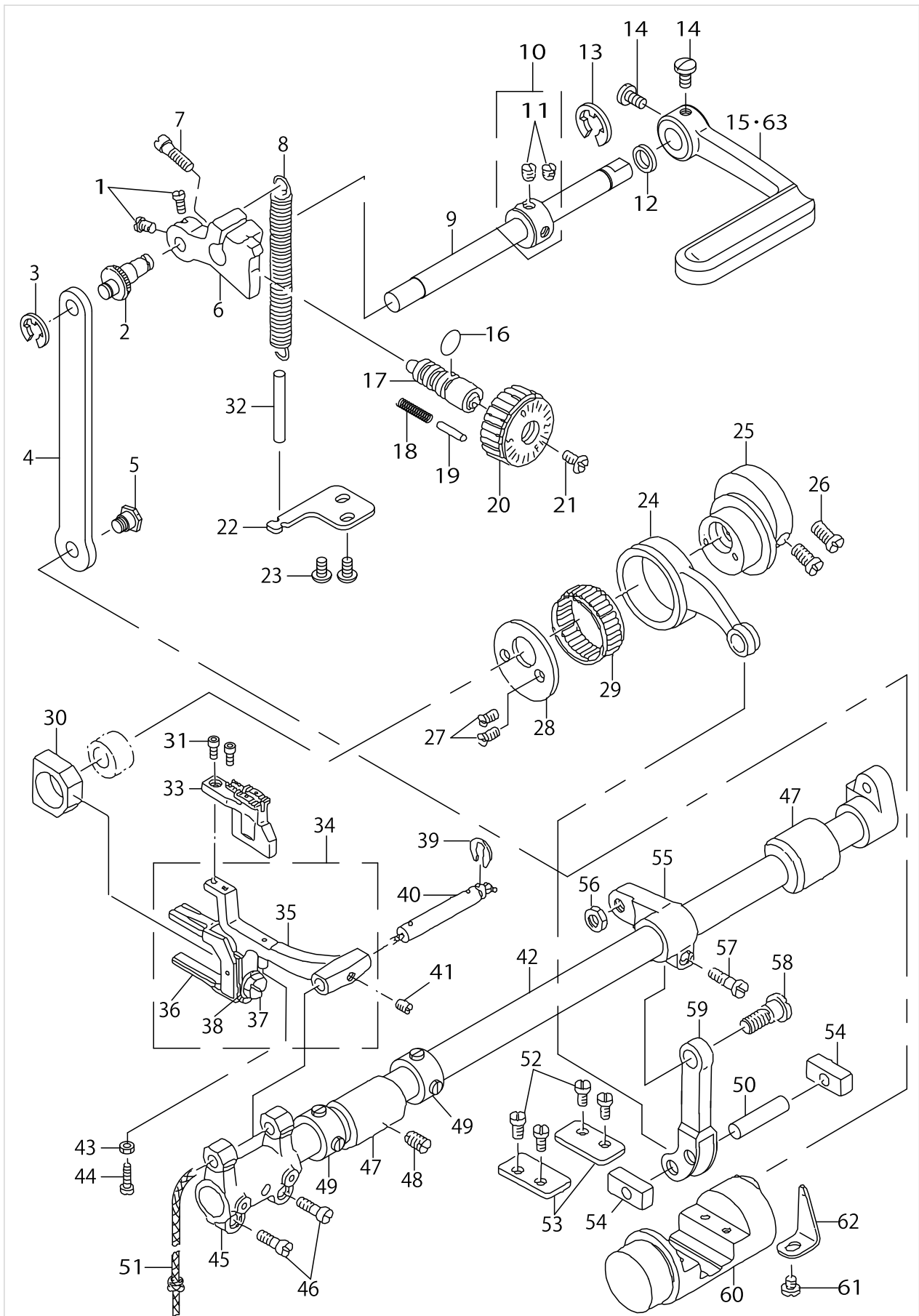
HOOK & HOOK DRIVING SHAFT COMPONENTS



HOOK & HOOK DRIVING SHAFT COMPONENTS

No.	Supply Code	Parts No.	Replacement	Parts name	Remarks	Choice	Step	Level	Cons	Qty	Rep. QTY
44		B1821051000		CRANK SCREW STUD						2	
45		22813109		OPENING LEVER CRANK						2	
46		NS6110420SP		NUT 11/64-40						2	
47		CQ202000000		OIL WICK						.09	
48		B1823051000		OPENING LEVER CRANK PIN						2	
49		10111201		THRUST WASHER, F	SELECTIVE PART					2	
50		SB30953010A		NEEDLE BEARING 9.525X9.52	SELECTIVE PART					2	
51		22812952		BUSHING						2	
52		22819106		HOOK SHAFT SADDLE, LEFT						1	
53		22819007		HOOK SHAFT SADDLE, RIGHT						1	
54	R	SS7111810SP	SS7111810TP	SCREW 11/64-40L=18						2	1.00
55		22615454		RUBBER BUSHING ASM.						2	
56		22615108		GASKET						2	
57		22615009		HOOK SHAFT SADDLE COVER						2	
58		SS4110815SP		SCREW 11/64-40 L=8						8	
59		22615306		FELT HOLDER						2	
60		22615207		FELT						2	
61		22615702		OIL ADJUSTING BALL						2	
62		D3171415B0H		PRESSER SPRING						2	
63		22615801		OIL ADJUSTING SCREW						2	
64		22615959		OIL WICK HOLDER ASM. LEFT						1	
65	D	22616254		OIL WICK HOLDER ASM. RIGHT						1	
66		SS4110515SP		SCREW 11/64-40 L=5						2	
67	R	22613400	40017056	HOOK DRIVING SHAFT BUSHING						2	1.00
68		WP0850002SP		WASHER 8.5X18X1.6						2	
69		SM6082502TP		SCREW M8 L=25						2	
70		22613608		GEAR GUIDE						2	
71		22827653		BOBBIN CASE ASM.	OPTIONAL PARTS					2	
72		22827505		TENSION SPRING				*		2	
73		22827703		HOOK	OPTIONAL PARTS					2	
74		TA0500601M0		PLUG D=5X5.4 L=6						1	
75		22820666		THREAD CUTTER S-WING HOOK ASM.	FOR JS					2	

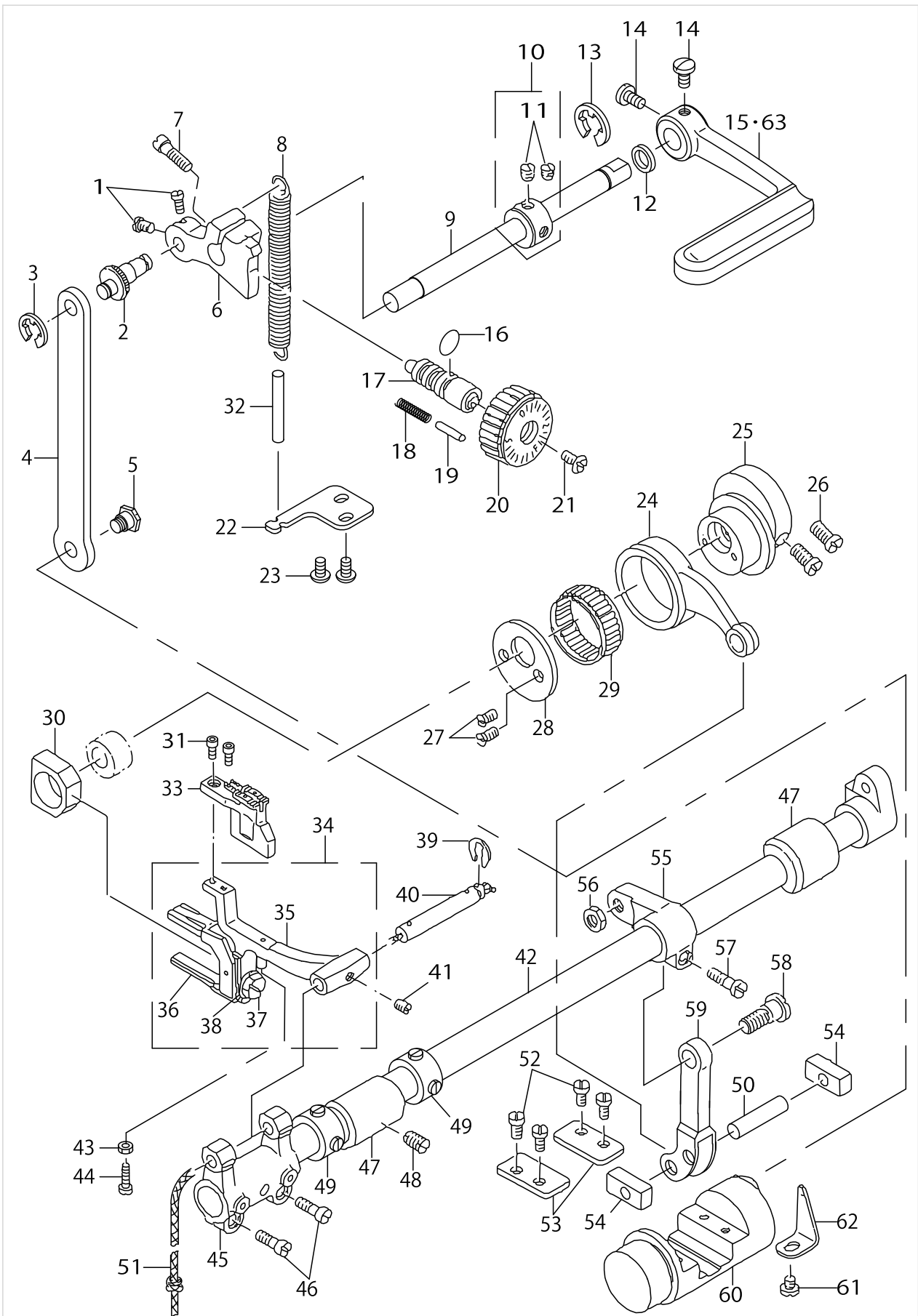
FEED MECHANISM COMPONENTS



FEED MECHANISM COMPONENTS

No.	Supply Code	Parts No.	Replacement	Parts name	Remarks	Choice	Step	Level	Cons	Qty	Rep. QTY
1		SS6090670TP		SCREW 9/64-40 L=6						2	
2		22610109		ROD PIN						1	
3		RE0500000K0		E-RING						1	
4		22610208		FEED REGULATOR CONNECTING ROD						1	
5		SD0800422CP		HINGE SCREW D= 8 H= 4.2						1	
6		22610000		FEED REGULATOR						1	
7	R	SS7121410SP	SS7121410TP	SCREW 3/16-28 L=14						1	1.00
8		22610307		FEED REGULATOR SPRING						1	
9		22652101		REVERSE FEED SHAFT	FOR -WB, -OB					1	
10		CS102121ASH		THRUST COLLAR A-SM. D=10.2 W=12						1	
11		SS8660610TP		SCREW 1/4-40 L=6				*		2	
12		10108009		OIL SEAL						1	
13		RE0900000K0		E-RING 9						1	
14	R	SS7120910SP	SS7120910TP	SCREW 3/16-28 L=9						2	1.00
15	D	22797005		REVERSE FEED CONTROL LEVER B	FOR LH-3182-7					1	
16		RO092270200		RUBBER RING						1	
17	R	11009909	22911804	FEED REGULATOR SCREW						1	1.00
18		22912109		FEED REGULATOR PIN SPRING						1	
19	R	11052701	22912000	PIN						1	1.00
20		22911903		FEED DIAL						1	
21		SS6121860SP		SCREW 3/16-28 L=18						1	
22		22610406		SPRING BRACKET						1	
23		SS4110815SP		SCREW 11/64-40 L=8						2	
24		22609200		FEED ROCK SHAFT CONNECTING ROD						1	
25		22652002		FEED DRIVE ECCENTRIC CAM						1	
26		SS6661110SP		SCREW 1/4-40 L=11						2	
27		SS7110710SP		SCREW 11/64-40 L=7						2	
28	D	22609101		CAM COVER						1	
29		B1636581B00		NEEDLE BEARING B						1	
30		B1610512000		FEED DRIVING SLIDE BLOCK						1	
31		SS6580752TP		SCREW 1/8-40 L=7						2	
32		BT0500300EA		OIL TUBE						.09	
33		22821409		FEED DOG(D=2.4) 1/4	EXCHANGING GAUGE PART (SEE P.33)					1	
34	R	22609754	22609762	FEED BAR ASM.						1	1.00
35	R	22609705	22609762	FEED BAR				*		1	1.00
36	R	10107902	40039258	FEED BAR FORK		A	PLC-17*	*		1	1.00
36	R	10107902	21336060	FEED BAR FORK		B	LU-1510N-7 NA-7	*		1	1.00
36	R	10107902	21364252	FEED BAR FORK		C	LU-1560N-7 LU-1565	*		1	1.00
36	R	10107902	21393459	FEED BAR FORK		D	LU-1520N-7	*		1	1.00
36	R	10107902	23003353	FEED BAR FORK		E	PLC-16*	*		1	1.00
36	R	10107902	21336052	FEED BAR FORK		G	LU-1510/1510-7	*		1	1.00
36	R	10107902	22609762	FEED BAR FORK				*		1	1.00
37		SS9151440CP		SCREW 15/64-28L=14				*		1	

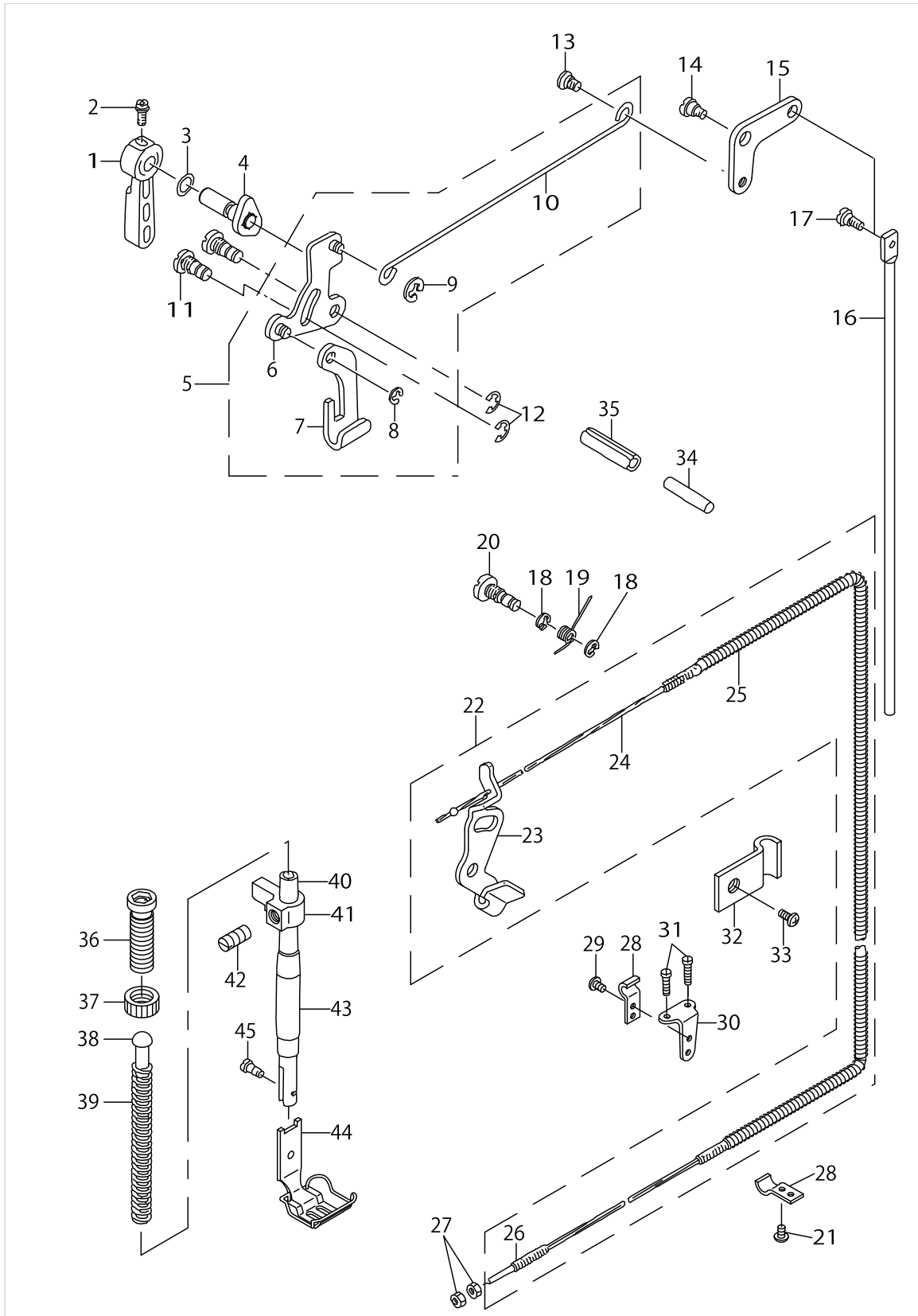
FEED MECHANISM COMPONENTS



FEED MECHANISM COMPONENTS

No.	Supply Code	Parts No.	Replacement	Parts name	Remarks	Choice	Step	Level	Cons	Qty	Rep. QTY
38		WP0621016SD		WASHER 6.2X13X1				*		1	
39		RE0500711KP		SNAP RING 5						1	
40		B1604012000A		FEED BAR SHAFT						1	
41		SM8050502TP		SCREW M5 L=5						1	
42		22609408		FEED ROCK SHAFT						1	
43		NS6080210SP		NUT 1/8-44						1	
44		SS6081810SP		SCREW 1/8-44 L=18.0						1	
45	R	B1603512000	21364104	FEED ROCKER						1	1.00
46		SS7111310TP		SCREW 11/64-40 L=12.8						2	
47		10106102		BUSHING						2	
48	R	SS8151150SP	SS8151150TP	SCREW 15/64-28 L=10.5						1	1.00
49		22904155		MAIN SHAFT THRU-ST COLLAR ASM.						2	
50	R	B1653470000	40032271	PIN						1	1.00
51		CQ252000000		OIL WICK						.26	
52	R	SS7110910SP	SS7110910TP	SCREW 11/64-40 L=8.5						4	1.00
53		10315505		PLATE						2	
54		22609606		FEED DRIVING ROCKER BLOCK, S						2	
55		22609309		FEED ROCKER SHAFT CRANK						1	
56		NS6680320SP		NUT 9/32-28						1	
57		SS6121610TP		SCREW 3/16-28 L=15.5						1	
58		SD0900701TP		HINGE SCREW D= 9 H= 7						1	
59		10315208		FEED ROCK CONNECTING ROD						1	
60		10315455		FEED DRIVING ROCKER ASM.						1	
61		SS7110510SP		SCREW 11/64-40 L=5						1	
62		B1633470000		STOPPER PLATE						1	
63	R	22610505	21388004	REVERSE FEED CONTROL LEVER	FOR LH-3182-4					1	1.00

PRESSER BAR & TENSION RELEASE COMPONENTS

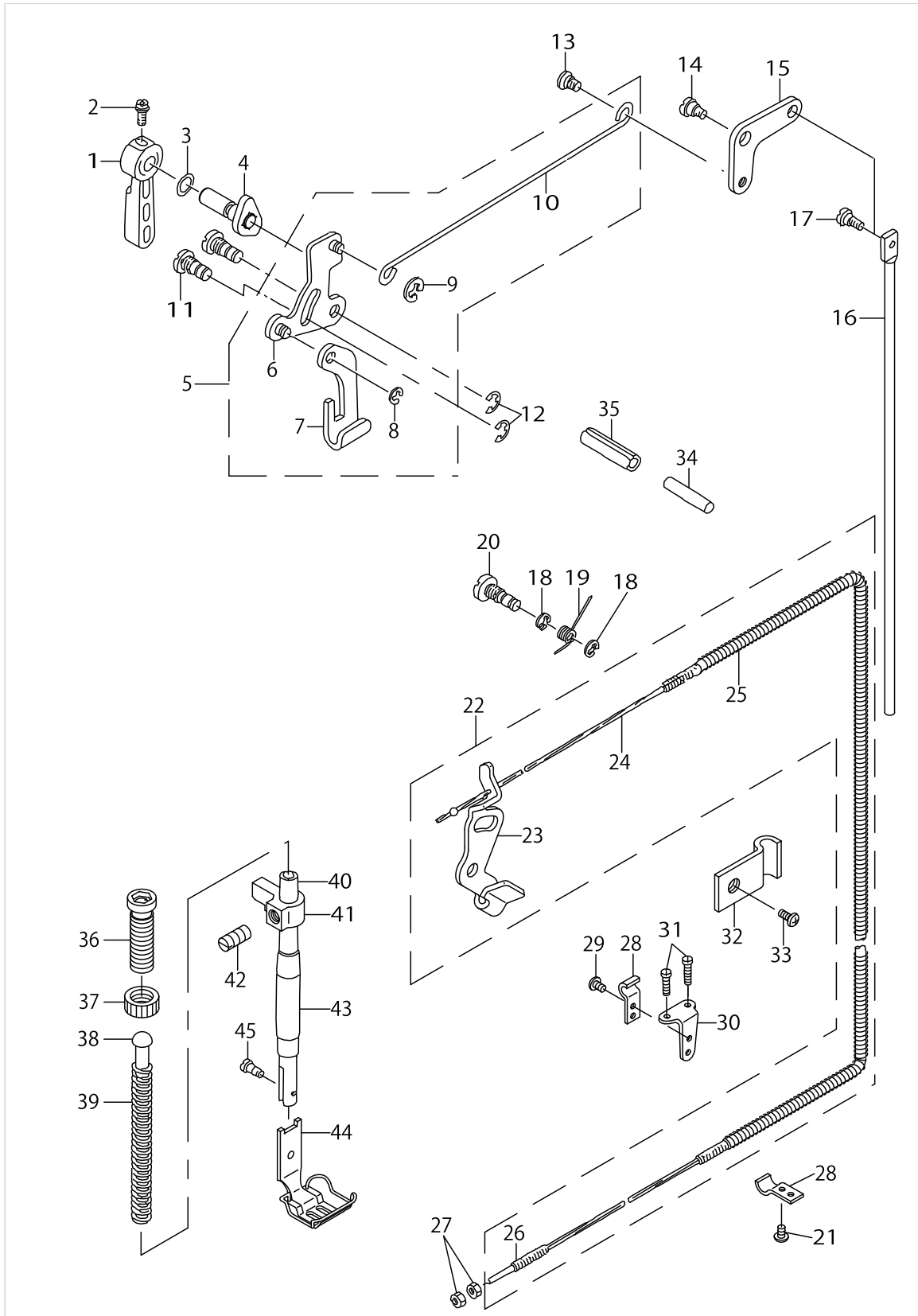


PRESSER BAR & TENSION RELEASE COMPONENTS

No.	Supply Code	Parts No.	Replacement	Parts name	Remarks	Choice	Step	Level	Cons	Qty	Rep. QTY
1	R	11071800	22907802	HAND LIFTER						1	1.00
2		B1521555000		SCREW						1	
3		RO037180100		RUBBER RING						1	
4		22908552		HAND LIFTER CAM ASM.						1	
5		22608152		LIFTING LEVER ROD ASM.						1	
6	R	11006350	22908354	HAND LIFTER LINK				*		1	1.00
7	R	11006202	22908354	LIFTING LEVER		A	DDL-5550 5550N 555- 0N-7 5556- N-7 5600NL-7	*		1	1.00
7	R	11006202	23609357	LIFTING LEVER		B	DDL-9000A 9000B	*		1	1.00
7	R	11006202	40057398	LIFTING LEVER		C	LH-3500	*		1	1.00
7	R	11006202	40174387	LIFTING LEVER		D	DDL-9000C	*		1	1.00
8		11007309		E-RING				*		1	
9		RE0500000K0		E-RING				*		1	
10		22608103		LIFTING LEVER CONNECTING ROD				*		1	
11	R	11006509	22908701	LINK SHAFT						2	1.00
12		RE0500000K0		E-RING						2	
13	R	11007101	22908909	HINGE SCREW						1	1.00
14		SD0720332SP		HINGE SCREW D= 7.24 H= 3.3						1	
15		22908800		KNEE LIFTER LINK						1	
16		10125201		CONNECTING ROD, VERTICAL						1	
17		SD0600322SD		HINGE SCREW D=6 H=3.2						1	
18		RE0500000K0		E-RING						2	
19	R	11018207	22920201	TENSION RELEASE RETURN SPRING						1	1.00
20	R	11018108	22920102	TENSION RELEASE SHAFT						1	1.00
21		SS4110515SP		SCREW 11/64-40 L=5						1	
22		22654958		TENSION RELEASE PLATE ASM.						1	
23		22617104		TENSION RELEASE PLATE				*		1	
24		11394509		WIRE CABLE				*		1	
25		22654909		WIRE TUBE				*		1	
26		D3159555B00		SET SCREW				*		1	
27		NS6620310SP		NUT 3/16-32						2	
28		D3164555B00		OUTER PRESSER PLATE						2	
29		SS4110715SP		SCREW 11/64-40 L=7						1	
30		D3163555B00A		FLEXIBLE TUBE SUPPORT PLATE						1	
31		SS4111215SP		SCREW 11/64-40L=12						2	
32		22620801		PIPE HOLDER						1	
33		SS4111015SP		SCREW 11/64-40L=10						1	
34		22617005		PUSH BAR						1	
35		PS0600502KP		SPRING PIN						1	
36	R	11071602	22907554	PRESSER SPRING REGULATOR						1	1.00
37	R	11071701	22907554	NUT						1	1.00
38		22907703		PRESSER GUIDE BAR						1	
39		B1505227T00A		PRESSER SPRING T						1	
40		B1501581000		PRESSER BAR						1	
41	R	22608004	40017058	NEEDLE BAR GUIDE BRACKET						1	1.00



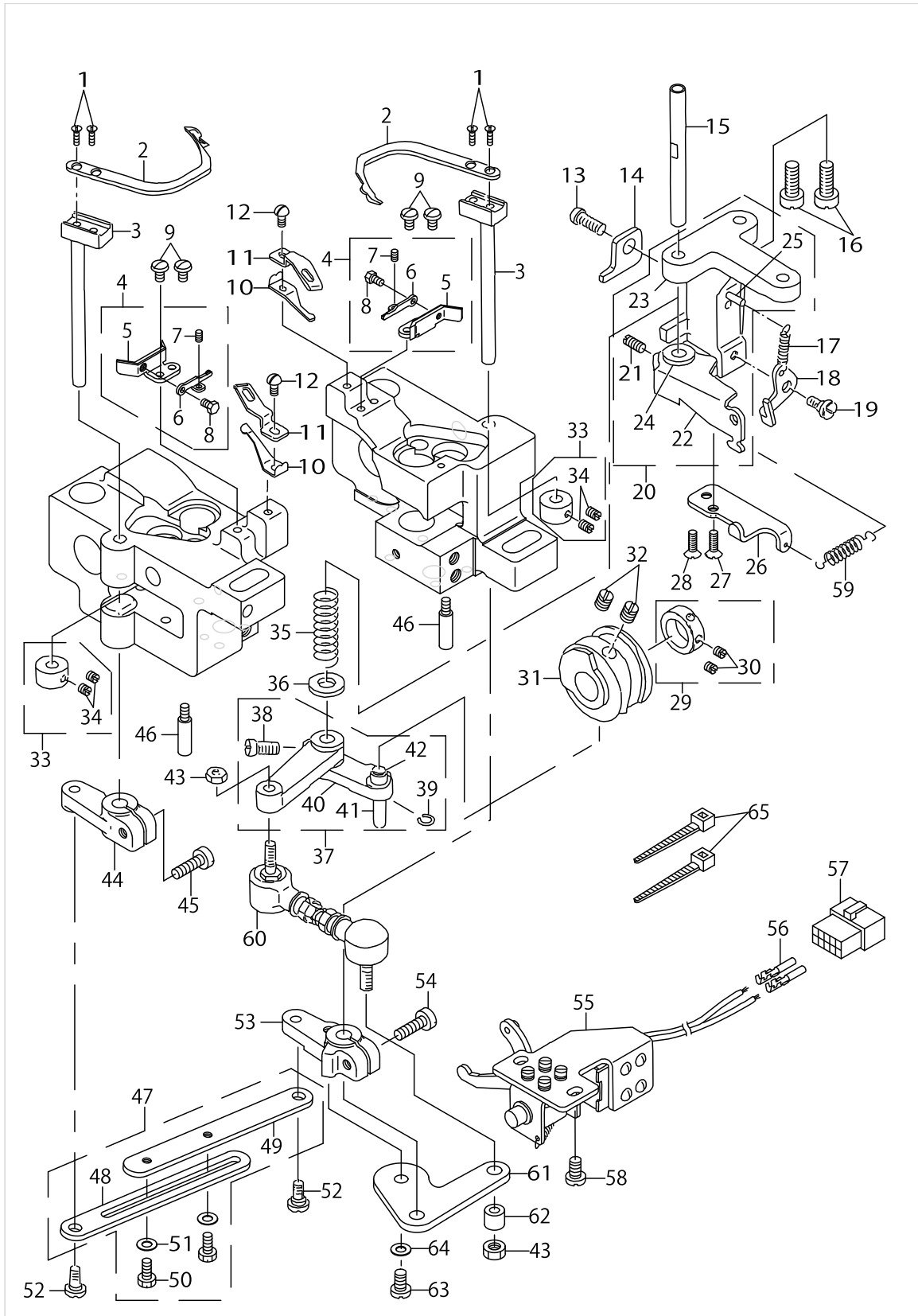
PRESSER BAR & TENSION RELEASE COMPONENTS



PRESSER BAR & TENSION RELESE COMPONENTS

No.	Supply Code	Parts No.	Replacement	Parts name	Remarks	Choice	Step	Level	Cons	Qty	Rep. QTY
42		SS8660810TP		SCREW 1/4-40 L=8						1	
43		22907109		PRESSER BAR BUSHING, LOWER						1	
44		22816755		PRESSER FOOT ASM. 1/4	EXCHANGI- NG GAUGE PART (SEE P.33)					1	
45		SS7090910TP		SCREW 9/64-40 L=8.5						1	

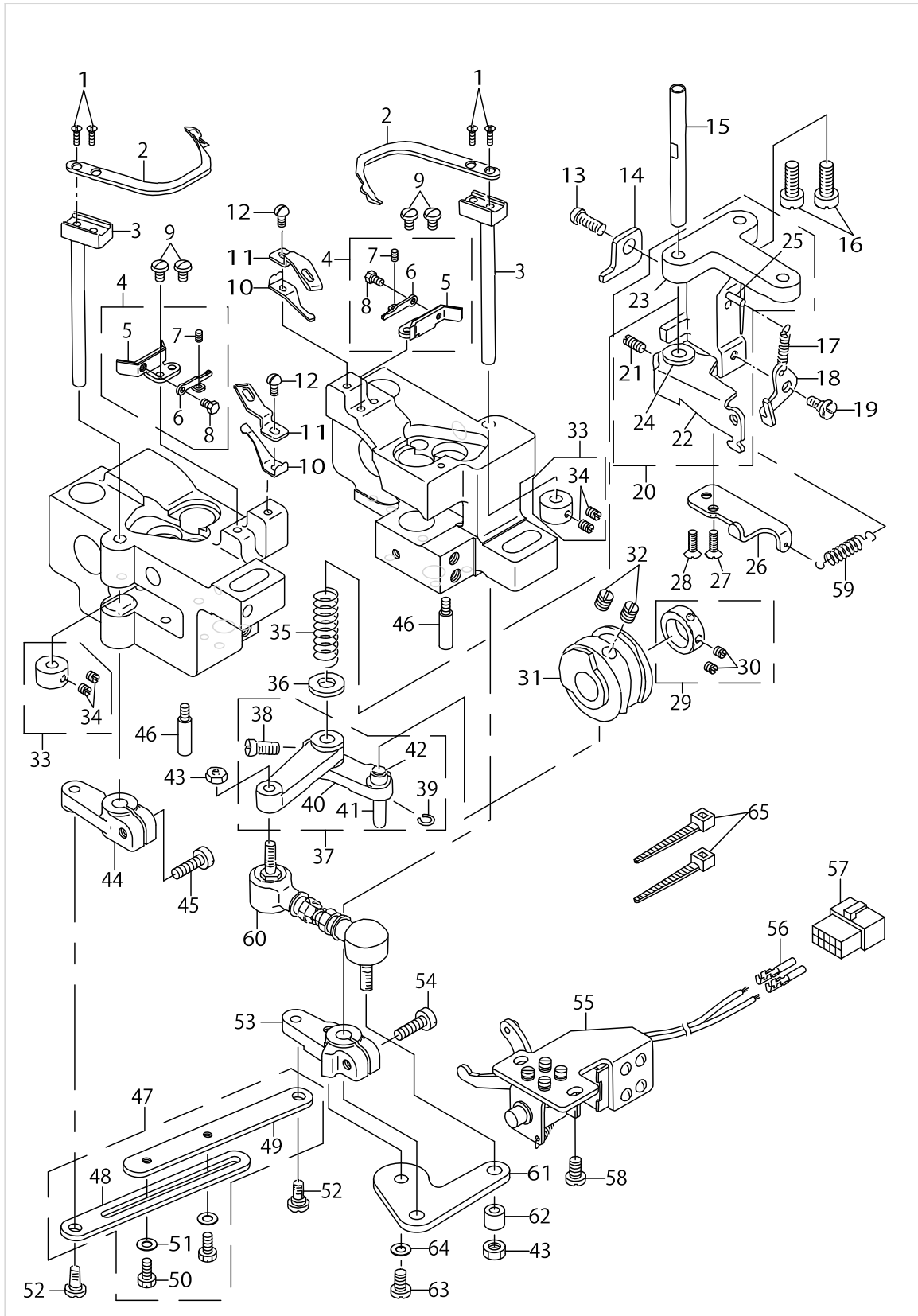
# THREAD TRIMMER MECHANISM COMPONENTS



THREAD TRIMMER MECHANISM COMPONENTS

No.	Supply Code	Parts No.	Replacement	Parts name	Remarks	Choice	Step	Level	Cons	Qty	Rep. QTY
1		SS2080810SP		SCREW 1/8-44 L=7.5						4	
2		10211605		MOVING KNIFE						2	
3	D	10116051		MOVING KNIFE SHAFT ASM.						2	
4		22820153		MOVING KNIFE SUPPORT ASM. B						2	
5		22820104		MOVING KNIFE SUPPORT B				*		2	
6	D	10211407		THREAD PRESSER ADJUSTING PLATE				*		2	
7		SS8080610SP		SCREW 1/8-44 L=5.5				*		2	
8		SS9080410SP		SCREW 1/8-44 L=4.3				*		2	
9		SS5090610SP		SCREW 9/64-40 L=6						4	
10		22820203		THREAD PRESSER G						2	
11		22820302		COUNTER KNIFE G						2	
12		SS7090710SP		SCREW 9/64-40 L=6.8						2	
13		SS6121212TP		SCREW 3/16-28 L=12.0						1	
14		22654800		STOPPER, A						1	
15		10116804		SHAFT						1	
16		SS7151610SP		SCREW 15/64-28 L=16						2	
17		B3418180000		SPRING						1	
18	D	10117208		TENSION DISC RELEASE PLATE						1	
19		SD0600271SP		HINGE SCREW D=6 H=2.7						1	
20		22655153		LINK INSTALLING BASE ASM.						1	
21		SS8111010TP		SCREW 11/64-40 L=9.5				*		1	
22		22655104		TENSION DISC RELEASE ARM				*		1	
23		10116606		LINK INSTALLING BASE				*		1	
24		10117109		BUSHING				*		1	
25		PS0300201KP		SPRING PIN 3.0X20				*		1	
26		22654701		STOPPER PLATE						1	
27		SS2110920TP		SCREW 11/64-40 L=8.5						1	
28		SS2110930SP		SCREW 11/64-40 L=8.7						1	
29		CS1470710SH		THRUST COLLAR A-SM. D=14.72 W=7						1	
30		SS8110410TP		SCREW 11/64-40 L=3.5				*		2	
31	D	22654107		THREAD TRIMMER CAM						1	
32		SS8660810TP		SCREW 1/4-40 L=8						2	
33		CS0700811SH		THRUST COLLAR D=7 W=8						2	
34	R	SS8110510SP	SS8110520TP	SCREW 11/64-40 L=5				*		4	1.00
35		10116903		SPRING						1	
36		WP0753016SZ		WASHER 7.5X16.0X3.0						1	
37	D	10116754		CAM INSTALLING LINK ASM.						1	
38		SS6151220SP		SCREW 15/64-28 L=11.5				*		1	
39		D2430555B00		SNAP RING				*		1	
40	D	10116705		CAM INSTALLING LINK				*		1	
41	D	D2428555B00A		CAM ROLLER SHAFT				*		1	
42		D2427555B00B		CAM ROLLER				*		1	
43		NM6050001SP		NUT M5						2	
44	D	22654404		DRIVING ARM, LEFT						1	
45		SS6121610TP		SCREW 3/16-28 L=15.5						1	

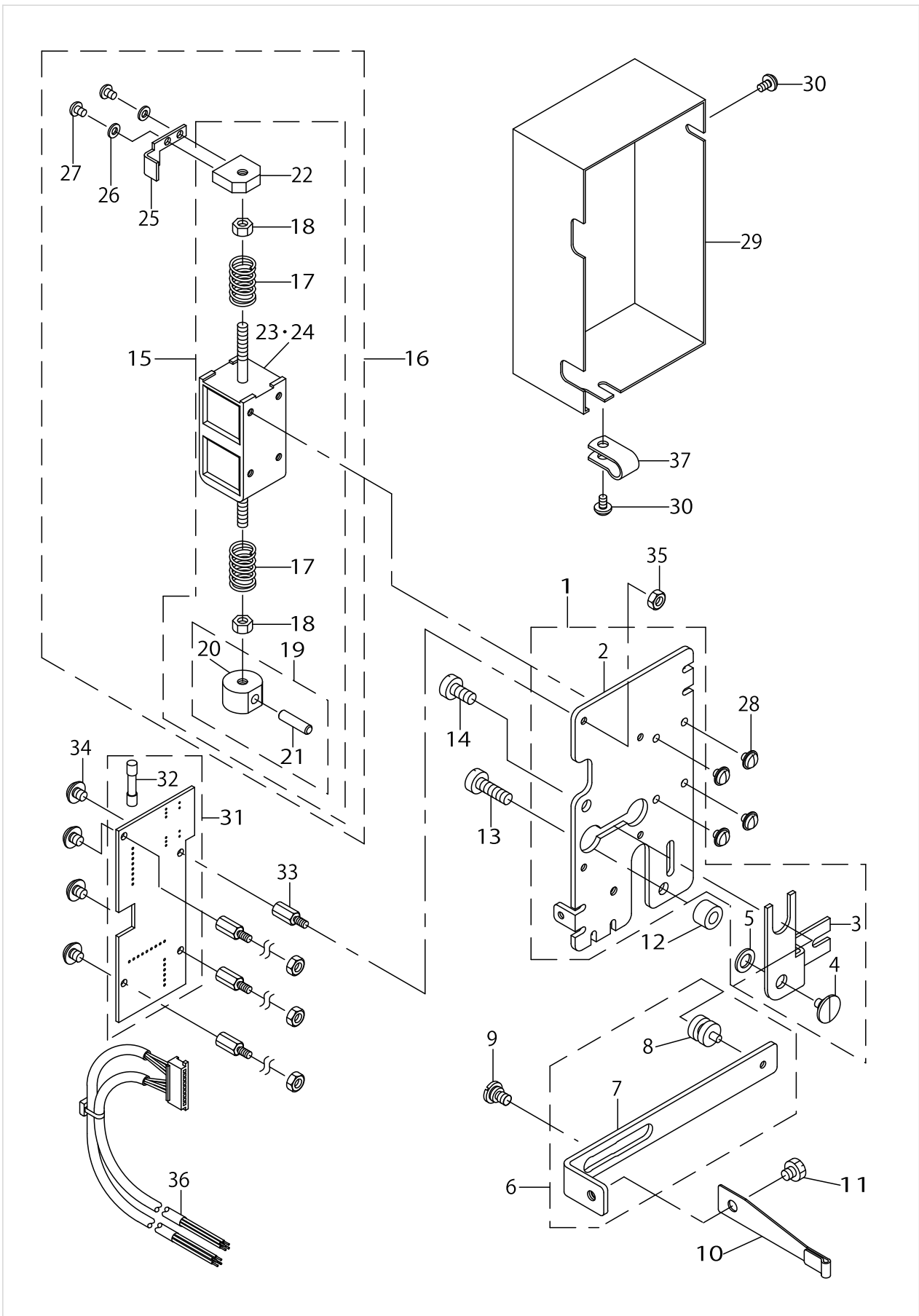
# THREAD TRIMMER MECHANISM COMPONENTS



THREAD TRIMMER MECHANISM COMPONENTS

No.	Supply Code	Parts No.	Replacement	Parts name	Remarks	Choice	Step	Level	Cons	Qty	Rep. QTY
46		B1515051000		HAND LIFTER PIN						2	
47		22654552		CONNECTING LINK ASM.						1	
48		22654503		CONNECTING LINK, A				*		1	
49		22654602		CONNECTING LINK, B				*		1	
50		SS9111010SP		SCREW 11/64-40 L=9.5				*		2	
51		WP0501016SD		WASHER 5X10.5X1				*		2	
52		SD0650305TP		HINGE SCREW D= 6.5 H= 3						2	
53	D	22654305		DRIVING ARM, RIGHT						1	
54		SS6121610TP		SCREW 3/16-28 L=15.5						1	
55	D	10117851		SOLENOID ASM.						1	
56		HK03464000B		PIN CONTACT	FOR LH-3182-7					2	
57		HK034610140		HOUSING 14P	FOR LH-3182-7					1	
58		SS6151040SP		SCREW 15/64-28 L=10						2	
59		B3041980000		SPRING						1	
60		22655005		JOINT ROD						1	
61	D	22654008		DRIVING ARM PLATE						1	
62		B3417051000		REAR LIFTING BAR ROLLER						1	
63		SS6120940SP		SCREW 3/16-28 L=9						1	
64		WP0501016SD		WASHER 5X10.5X1						1	
65		EA9500B0100		CABLE BAND						2	

AUTOMATIC CHANGE-OVER DEVICE COMPONENTS (1)

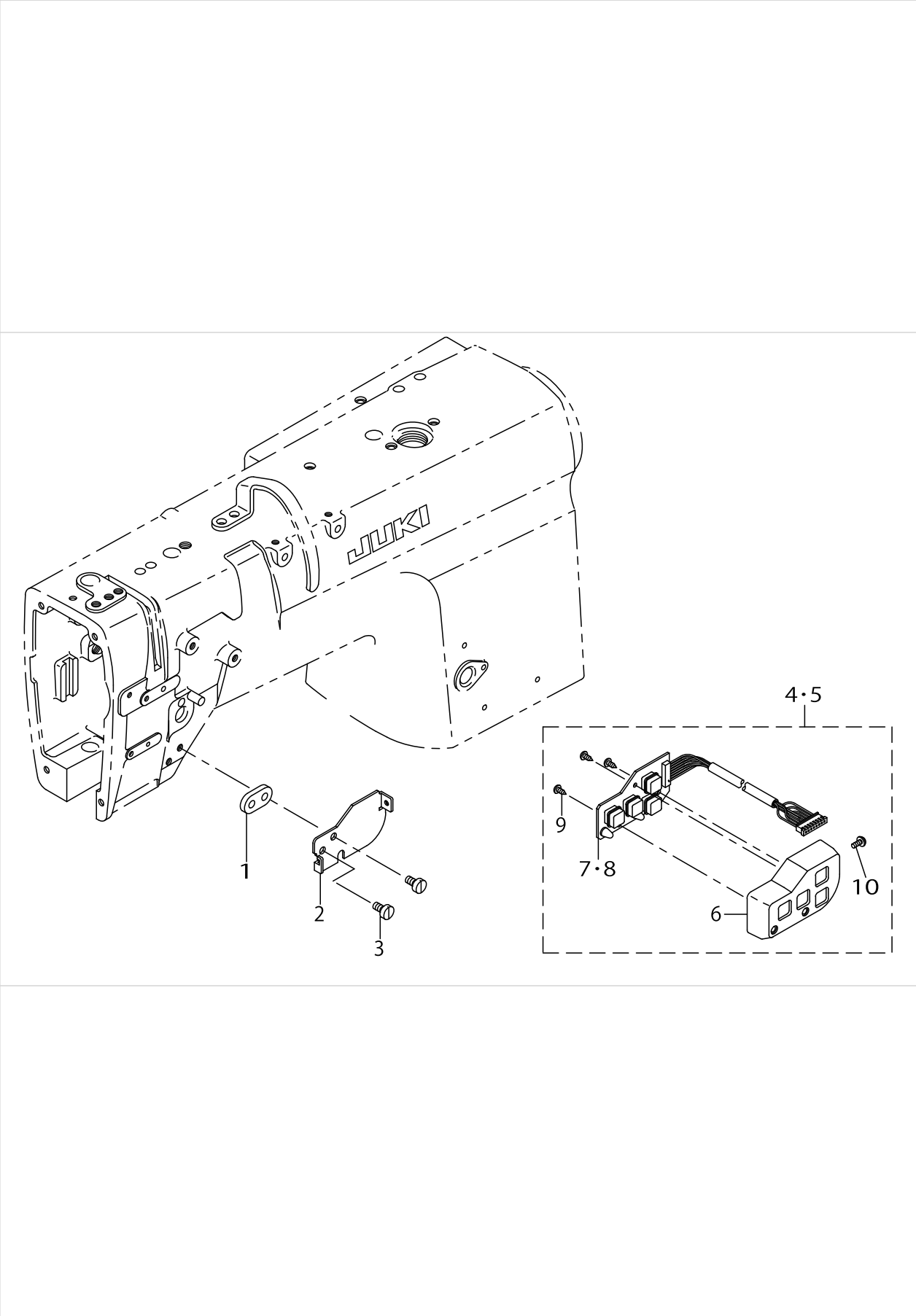


AUTOMATIC CHANGE-OVER DEVICE COMPONENTS (1)

No.	Supply Code	Parts No.	Replacement	Parts name	Remarks	Choice	Step	Level	Cons	Qty	Rep. QTY
1		22795157		TRANSFORM SOLENOID BASE ASM.						1	
2		22795108		TRANSFORM SOLENOID BASE				*		1	
3		22795207		TRANSFORM ARM				*		1	
4		SD0600281TP		HINGE SCREW H=6 W=2.7				*		1	
5		WP0621016SD		WASHER 6.2X13X1				*		1	
6		22795355		TRANSFORM PLATE ASM.						1	
7	R	22795306	22795355	TRANSFORM PLATE				*		1	1.00
8		22795405		TRANSFORM SHAFT A				*		1	
9		SD0640231SP		HINGE SCREW D= 6.35 H= 2.3						1	
10		22687008		LEAF SPRING						1	
11		SS9110460CP		SCREW 11/64-40 L=4						1	
12		22795900		TRANSFORM SOLENOID BASE						1	
13		SS6121010SP		SCREW 3/16-28 L=10						1	
14		SS6121610SP		SCREW 3/16-28 L=15.5						1	
15		22796551		TRANSFORM SOLENOID UNIT B ASM.	FOR LH-3182-7					1	
16		22790356		TRANSFORM SOLENOID UNIT A ASM.	FOR LH-3182-4					1	
17		22795603		TRANSFORM SPRING B				*		2	
18		NM6040001SD		NUT M4				*		2	
19		22795553		TRANSFORM SPRING BASE A ASM.				*		1	
20		22795504		TRANSFORM SPRING BASE A				*		1	
21		B1505804000		HINGE SHAFT				*		1	
22		22795702		TRANSFORM SPRING BASE B				*		1	
23		22792956		TRANSFORM RACH SOLENOID A ASM.	FOR LH-3182-4			*		1	
24	D	22797757		TRANSFORM RACH SOLENOID B ASM.	FOR LH-3182-7			*		1	
25		22790000		CROSSWISE SENSOR PLATE	FOR LH-3182-4			*		1	
26		WS0310002KN		SPRING WASHER M3	FOR LH-3182-4			*		2	
27		SM4030401SC		SCREW M3X0.5 L=4	FOR LH-3182-4			*		2	
28		SL4030681SC		SCREW M3 L=6						4	
29	D	22795801		TRANSFORM COVER						1	
30		SL4031091SC		SCREW M3 X 10						2	
31		22792550		CHANGING CIRCUIT BOARD ASM.	FOR LH-3182-4					1	
32		HF0041010S0		FUSE	FOR LH-3182-4			*		1	
33		HX00056000B		SPACER	FOR LH-3182-4					4	
34		SL4030681SC		SCREW M3 L=6	FOR LH-3182-4					4	
35		NM6030001SC		NUT M3	FOR LH-3182-4					4	
36	D	22792659		TRANSFORM DEVISE CORD ASM.	FOR LH-3182-4					1	
37		D2120555C00		CORD PRESSER (120V)	FOR LH-3182-7					1	



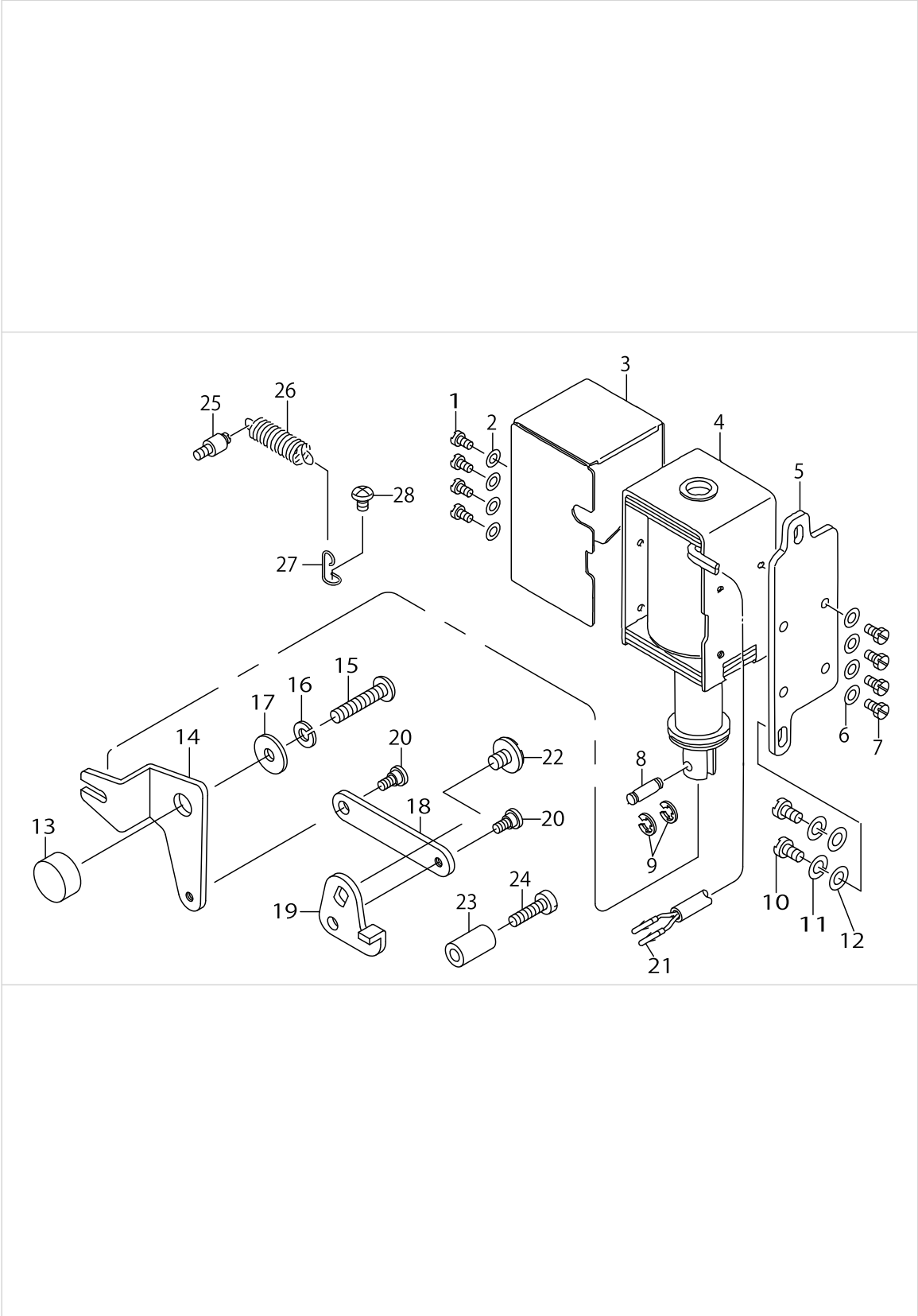
AUTOMATIC CHANGE-OVER DEVICE COMPONENTS (2)



AUTOMATIC CHANGE-OVER DEVICE COMPONENTS (2)

No.	Supply Code	Parts No.	Replacement	Parts name	Remarks	Choice	Step	Level	Cons	Qty	Rep. QTY
1		22796908		CASE						1	
2	D	22796809		CASE FITTING PLATE						1	
3		SS6120940SP		SCREW 3/16-28 L=9						2	
4		22790455		OPERATION SWITCH CASE A ASM.	LH-3182-4					1	
5		22796759		OPERATION SWITCH CASE B ASM.	LH-3182-7					1	
6	D	22796700		OPERATION SWITCH CASE				*		1	
7	D	22792758		OPERATION SWITCH PCB A ASM.	LH-3182-4			*		1	
8		22797559		OPERATION SWITCH PCB B ASM.	LH-3182-7			*		1	
9		ST4030851SN		SCREW				*		3	
10		SL4030681SF		SCREW M3 L=6				*		1	

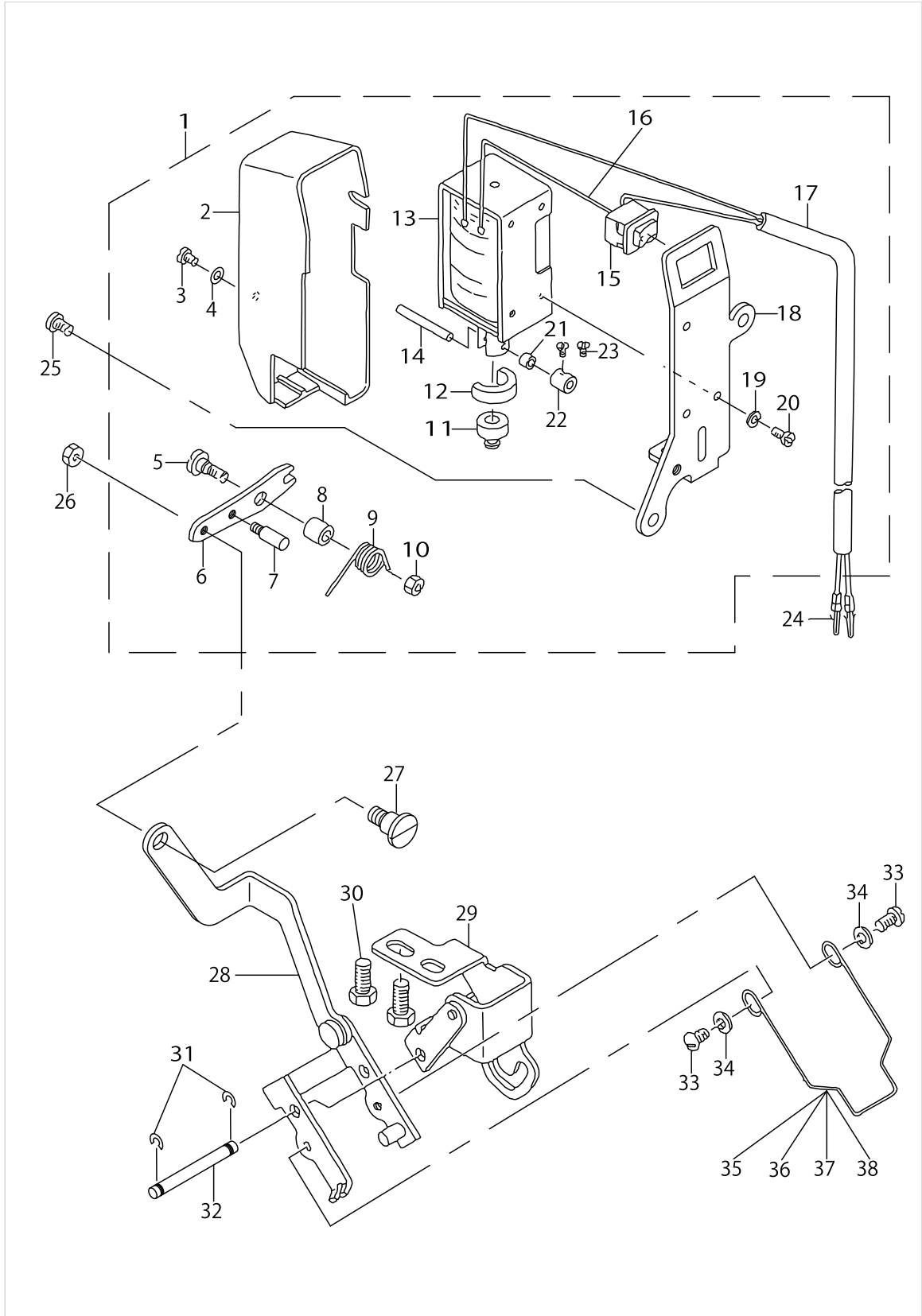
AUTOMATIC REVERSE FEED MECHANISM COMPONENTS



AUTOMATIC REVERSE FEED MECHANISM COMPONENTS

No.	Supply Code	Parts No.	Replacement	Parts name	Remarks	Choice	Step	Level	Cons	Qty	Rep. QTY
1		SS7110710SP		SCREW 11/64-40 L=7						4	
2		WP0501016SD		WASHER 5X10.5X1						4	
3		10161305		SOLENOID COVER						1	
4		10119105		REVERSE FEED SOLENOID, AC24V						1	
5		10119204		SOLENOID INSTALLING PLATE						1	
6		WP0501016SD		WASHER 5X10.5X1						4	
7		SS9111010SP		SCREW 11/64-40 L=9.5						4	
8		D2464555B00		LINK DRIVING MAGNET PIN						1	
9		RE0400000K0		E-RING 4						1	
10		SS7151210SP		SCREW 15/64-28 L=12						2	
11		WS0631510KP		SPRING WASHER						2	
12		WP0621016SD		WASHER 6.2X13X1						2	
13	D	22656409		LINK FULCULUM						1	
14		22656300		REVERSE FEED LINK, L						1	
15		SS4153015SP		PAN-SCREW 15/64-28 L=30						1	
16		WS0610002KP		SPRING WASHER						1	
17		WP0612056SD		WASHER 6.1X18.5X2						1	
18		22656201		REVERSE FEED LINK, (2)						1	
19		22656102		REVERSE FEED LINK, (1)						1	
20		SD0640321SP		HINGE SCREW D= 6.35 H= 3.2						2	
21		HK03464000B		PIN CONTACT	FOR LH-3182-7					2	
22		SS7120760SP		SCREW 3/16-28 L=7.0	FOR -WB,-0B					1	
23	R	11100500	22952501	REVERSE FEED LEVER STOPPER	FOR -WB,-0B					1	1.00
24		SS6121840SP		SCREW 3/16-28 L=18	FOR -WB,-0B					1	
25	R	B1506352000	26226407	TENSION SPRING RACK B						1	1.00
26	R	13515606	26226209	SPRING						1	1.00
27		22656003		SPRINGSUSPENSION						1	
28		SS4120615SP		SCREW 3/16-28 L=6						1	

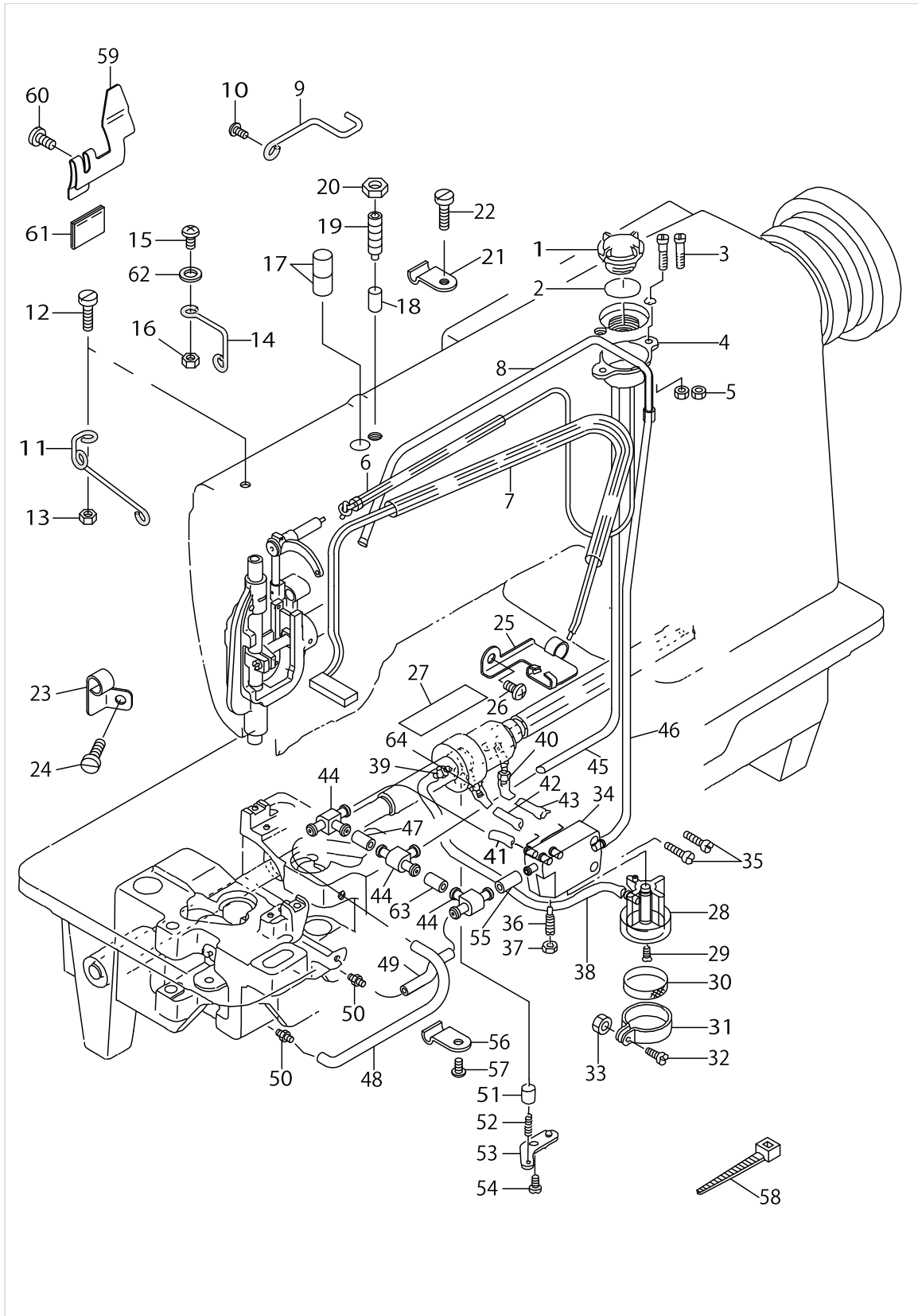
WIPER MECHANISM COMPONENTS



WIPER MECHANISM COMPONENTS

No.	Supply Code	Parts No.	Replacement	Parts name	Remarks	Choice	Step	Level	Cons	Qty	Rep. QTY
1		22657159		WIPER SOLENOID ASM.						1	
2	R	11072709	22955504	WIPER COVER				*		1	1.00
3		SM4030601SN		SCREW M3 X 6				*		1	
4		WP0320501SC		WASHER M3				*		1	
5		SD0650321TP		HINGE SCREW D=6.5 H=3.2				*		1	
6		22657209		WIPER LINK, A				*		1	
7	R	B2024771000	40009196	SUSPENSION SCREW				*		1	1.00
8	R	11110707	22956205	WIPER HINGE SCREW COLLAR				*		1	1.00
9		22657308		WIPER SPRING				*		1	
10		NS6110310SP		NUT 11/64-40				*		1	
11	R	11110400	22955900	WIPER RUBBER A				*		1	1.00
12	R	11110509	22956007	WIPER RUBBER B				*		1	1.00
13	R	11110301	40106936	WIPER SOLENOID				*		1	1.00
14		11111705		WIPER SOLENOID PIN				*		1	
15		HA000590000		POWER SWITCH				*		1	
16		HW200390000		ELECTRIC WIRE				*		0.04	
17		HW500070000		2-CORE CABTYRE CORD				*		1.4	
18	D	22657100		WIPER SOLENOID BASE				*		1	
19		WS0310002KN		SPRING WASHER M3				*		3	
20		SM4030601SN		SCREW M3 X 6				*		3	
21	R	11111804	22957203	WIPER LINK COLLAR				*		1	1.00
22	R	CS0300711SP	CS030071ASP	THRUST COLLAR				*		1	1.00
23		SS6080320SP		SCREW 1/8-44 L= 2.5				*		2	
24		HK03464000B		PIN CONTACT	FOR LH-3182-7					2	
25		SS4120615SP		SCREW 3/16-28 L=6						2	
26		NS6090310SP		NUT 9/64-40						1	
27		SD0500301SP		HINGE SCREW D= 5 H= 3						1	
28		22657050		WIPER LINK ASM., 2						1	
29		10208551		WIPER BASE ASM.						1	
30		SS9111010SP		SCREW 11/64-40 L=9.5						2	
31		RE0320000K0		E-RING 3.2						2	
32		10208700		WIPER LINK SHAFT						1	
33		SS3090520SP		SCREW 9/64-40 L=4.5						2	
34		WP0371016SD		WASHER 3.7X8X1						2	
35		10209203		WIPER 3/32"-3/8	SELECTIVE PART					1	
36		10209500		WIPER	SELECTIVE PART					1	
37		10209807		WIPER	SELECTIVE PART					1	
38		10209906		WIPER	SELECTIVE PART					1	

LUBRICATION COMPONENTS

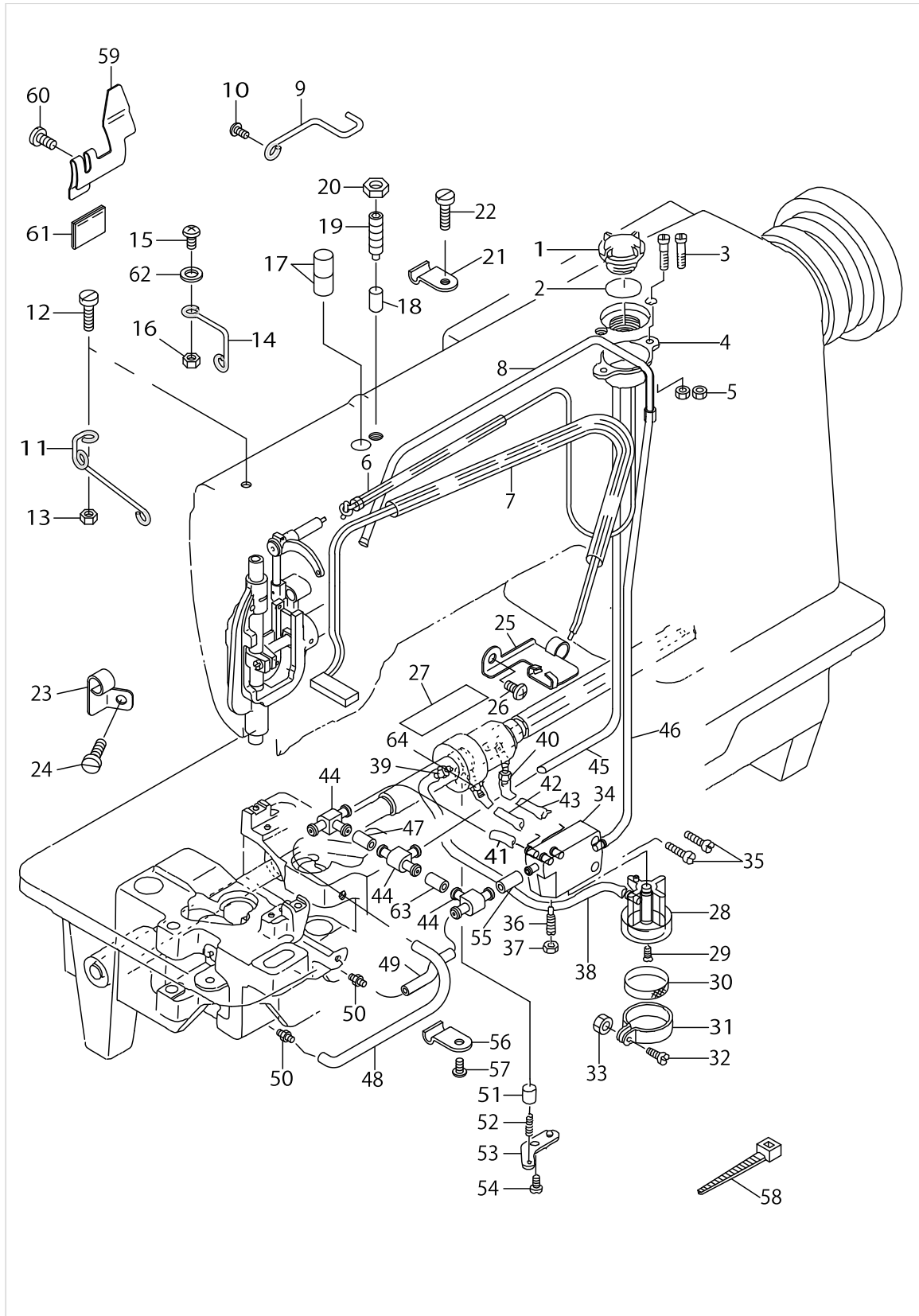


LUBRICATION COMPONENTS

No.	Supply Code	Parts No.	Replacement	Parts name	Remarks	Choice	Step	Level	Cons	Qty	Rep. QTY
1	R	B3530555000	22924708	OIL SIGHT WINDOW						1	1.00
2		RO195240100		RUBBER RING						1	
3		SS4111815SP		SCREW 11/64 L=18						2	
4		10216703		OIL TANK						1	
5		NS6110310SN		NUT 11/64-40						2	
6		22620355		OIL PIPE ASM.						1	
7		22620454		FELT ASM.						1	
8		22620702		OIL TUBE						1	
9	D	22620108		PIPE HOLDER, B						1	
10		SS4110715SP		SCREW 11/64-40 L=7						1	
11	R	22619209	40017055	OIL WICK GUIDE						1	1.00
12		SS6121610SP		SCREW 3/16-28 L=15.5						1	
13		NS6120310SP		NUT 3/16-28						1	
14		22620504		OIL WICK HOLDER						1	
15		SS4111215SP		SCREW 11/64-40 L=12						1	
16		NS6110420SP		NUT 11/64-40						1	
17		B3517009000		OIL FELT REAR						2	
18	D	22619415		OIL ADJUSTING SHAFT						1	
19		SS8701782TP		SCREW 5/16-24 L=17.0						1	
20		NS6700420SP		NUT 5/16-24						1	
21		22620801		PIPE HOLDER						1	
22		SS6111610SP		SCREW 11/64-40 L=16						1	
23		22619902		PIPE HOLDER						1	
24		SS4110615SP		SCREW 11/64-40 L=6						1	
25	D	22619803		VILENE HOLDER						1	
26		SS4110715SP		SCREW 11/64-40 L=7						1	
27		22619605		VILENE						1	
28	D	22619001		SUCTION						1	
29		SS2110930SP		SCREW 11/64-40 L=8.7						1	
30		B1851512000		FILTER SCREEN						1	
31	R	B1850512000	40009379	BUSHING HOLDER						1	1.00
32	R	SS7090910SP	SS7090910TP	SCREW 9/64-40 L=8.5						1	1.00
33		NS6090310SP		NUT 9/64-40						1	
34		10623403		BASE						1	
35		SS6111610SP		SCREW 11/64-40 L=16						2	
36		B1834512000A		OIL ADJUSTING SCREW						1	
37		NS6110310SP		NUT 11/64-40						1	
38		23630007		TUBE						.12	
39		SQ1150451MZ		CONNECTING SCREW						1	
40		SQ1110401MZ		CONNECTING SCREW						1	
41		23630007		TUBE						.05	
42		23630007		TUBE						.08	
43		23630007		TUBE						.09	
44		13765607		OIL CONNec. ARM						3	
45		23630007		TUBE						.51	
46		23630007		TUBE						.4	



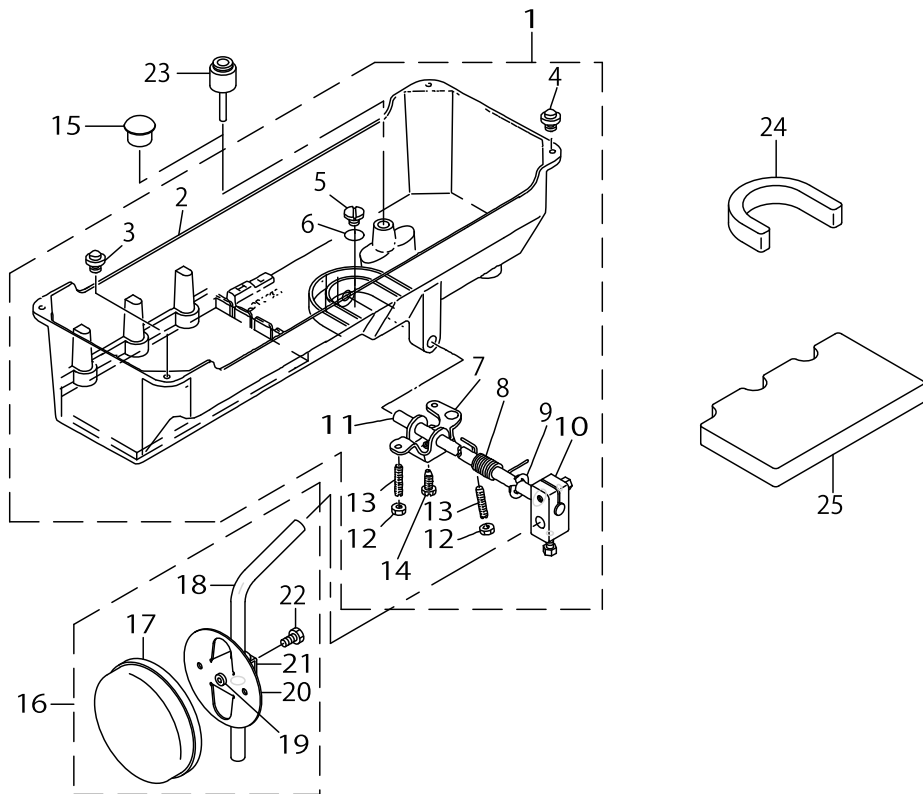
# LUBRICATION COMPONENTS



LUBRICATION COMPONENTS

No.	Supply Code	Parts No.	Replacement	Parts name	Remarks	Choice	Step	Level	Cons	Qty	Rep. QTY
47		23630007		TUBE						.02	
48		23630007		TUBE						.21	
49		23630007		TUBE						.15	
50		SQ1110401MZ		CONNECTING SCREW						2	
51		B3534155000		PLUNGER						1	
52		B1214038000		PLUNGER SPRING						1	
53		B3524552000		PLUNGER THRUST PLATE						1	
54		SS4110815SP		SCREW 11/64-40 L=8						1	
55		23630007		TUBE						.02	
56		B3538112000		OIL RETURN TUBE HOLDER						1	
57		SS4110815SP		SCREW 11/64-40 L=8						1	
58		EA9500B0100		CABLE BAND						1	
59	D	22686307		OIL GUIDE						1	
60		SS7090610SP		SCREW 9/64-40 L=6						1	
61	D	22686455		NEEDLE BAR						1	
62		B3534012000		GASKET						1	
63		23630007		TUBE						.02	
64		22619704		OILING JOINT						1	

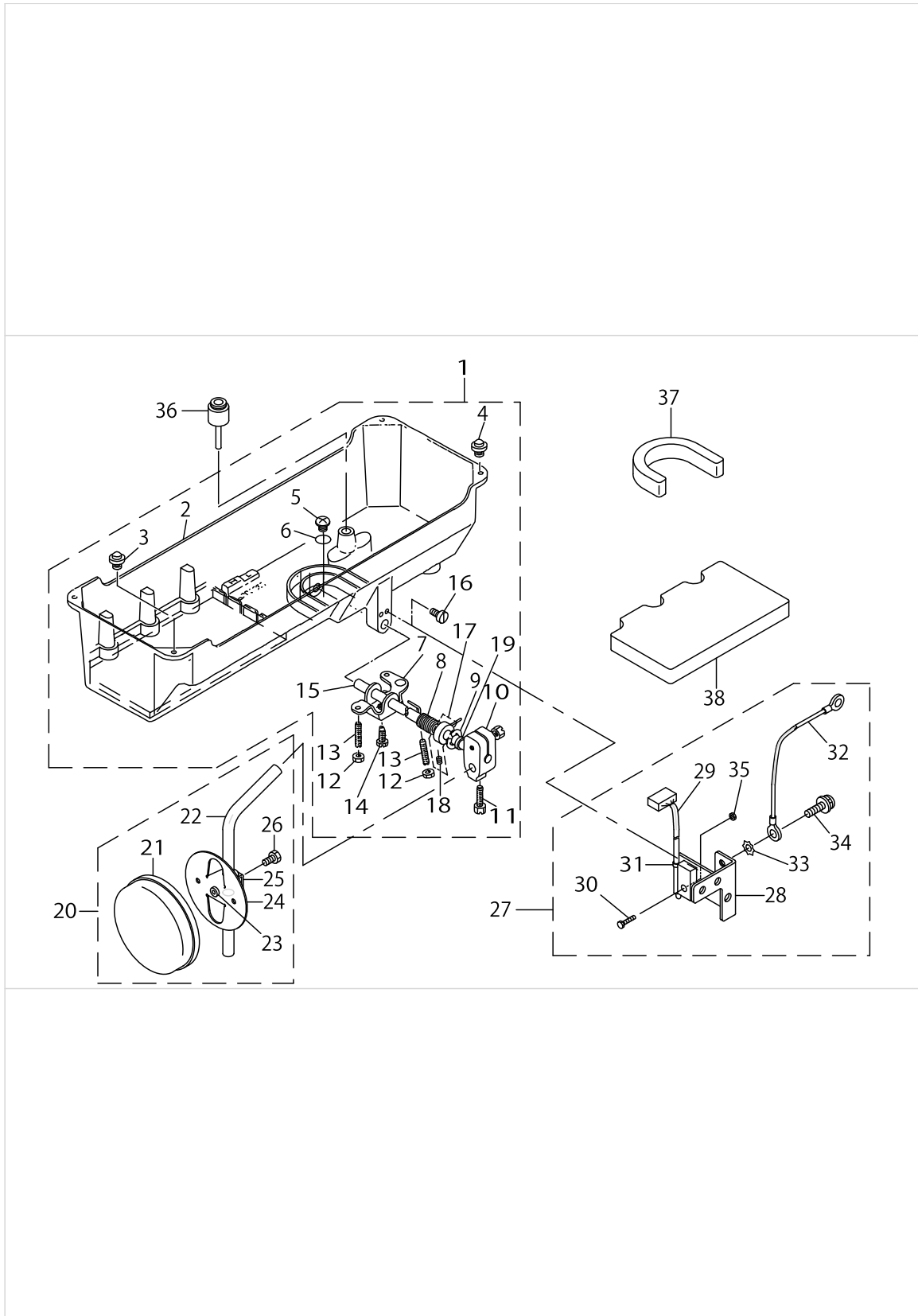
OIL RESERVOIR & KNEE LIFTER COMPONENTS (WITH AK DEVICE)



OIL RESERVOIR & KNEE LIFTER COMPONENTS (WITH AK DEVICE)

No.	Supply Code	Parts No.	Replacement	Parts name	Remarks	Choice	Step	Level	Cons	Qty	Rep. QTY
1		10162253		OIL RESERVOIR ASM.						1	
2	R	10162204	10162253	OIL RESERVOIR				*		1	1.00
3		10162600		RUBBER CUSHION				*		2	
4		11047107		RUBBER CUSHION				*		2	
5		SM0081001SD		SCREW				*		1	
6		RO098240100		RUBBER RING				*		1	
7	R	11024015	22932156	CONNECTING ROT, VERTICAL				*		1	1.00
8	R	11024106	22932206	SPRING				*		1	1.00
9		RE1000000K0		E-RING 10				*		1	
10		22932453		BRACKET ASM.				*		1	
11	R	11024205	22932305	KNEE PRESS ROD				*		1	1.00
12		NM6060001SE		NUT M6				*		2	
13		SM8063012TR		SCREW M6 L=30				*		2	
14		SM9061853SR		SCREW M6 L=17.5				*		1	
15		GAK33070000		OIL DRAIN CAP						1	
16		22934251		KNEE PAD PLATE ASM.	FOR THE DESTINATION					1	
17		22934509		KNEE PAD PLATE COVER				*		1	
18		22934608		KNEE PAD UPRIGHT SHAFT				*		1	
19		22934400		KNEE PAD PLATE RUBBER				*		1	
20		22934202		KNEE PAD PLATE				*		1	
21		22934301		KNEE PAD PLATE SUPPORT				*		1	
22		SM9061203SE		SCREW M6 L=12				*		1	
23	R	11024304	22931703	KNEE PRESS LIFTER ROD	FOR THE DESTINATION					1	1.00
24		22622005		OIL RESERVOIR SPACER, A						1	
25		22622104		OIL RESERVOIR SPACER, B						1	

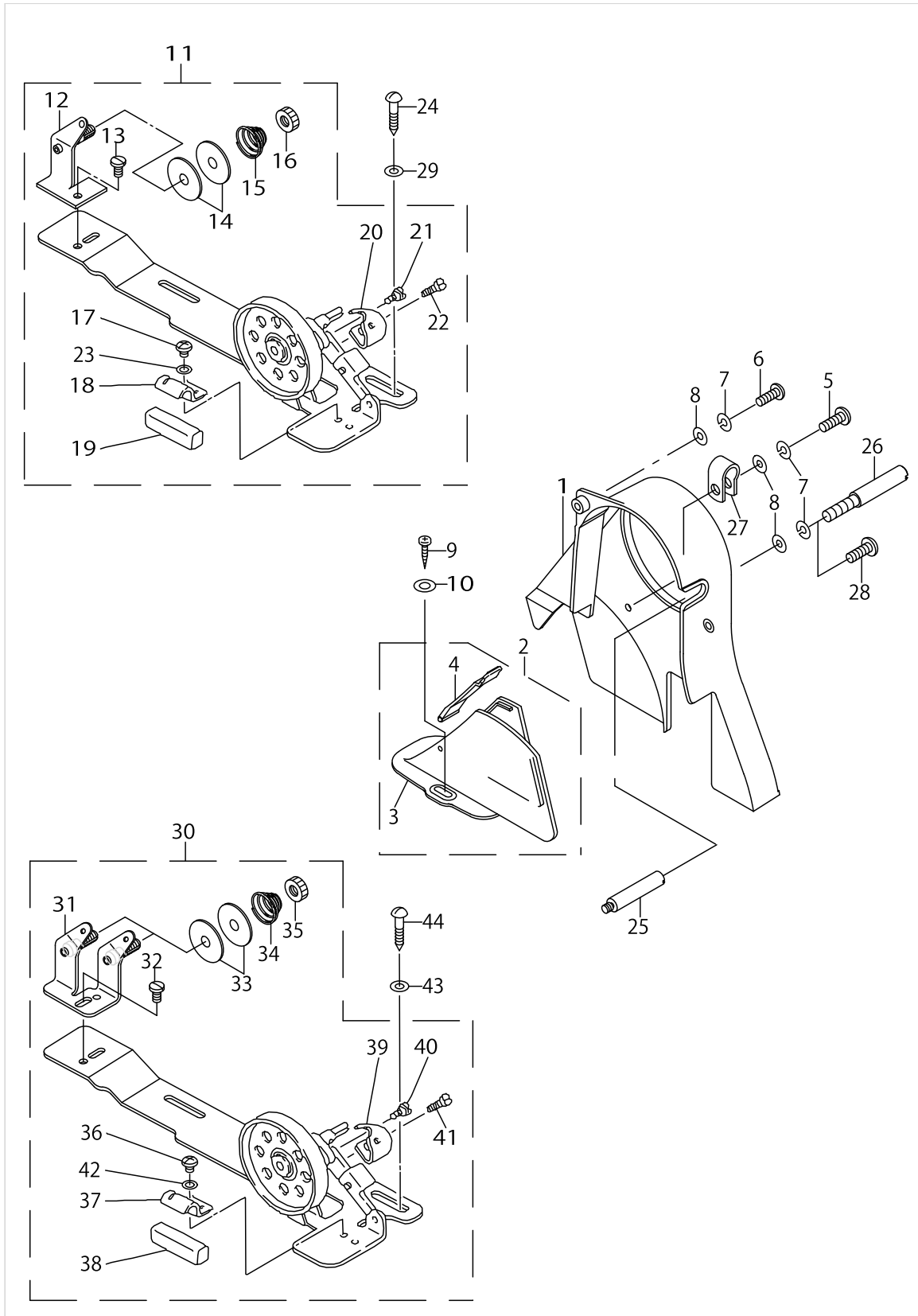
OIL RESERVOIR & KNEE LIFTER COMPONENTS (WITHOUT AK DEVICE,-7 ONLY)



OIL RESERVOIR & KNEE LIFTER COMPONENTS (WITHOUT AK DEVICE,-7 ONLY)

No.	Supply Code	Parts No.	Replacement	Parts name	Remarks	Choice	Step	Level	Cons	Qty	Rep. QTY
1		22796254		OIL RESERVOIR ASM.						1	
2		22796205		OIL RESERVOIR				*		1	
3		10162600		RUBBER CUSHION				*		2	
4		11047107		RUBBER CUSHION				*		2	
5		SM0081001SD		SCREW				*		1	
6		RO098240100		RUBBER RING				*		1	
7	R	11024015	22932156	CONNECTING ROT, VERTICAL				*		1	1.00
8	R	11024106	22932206	SPRING				*		1	1.00
9		RE1000000K0		E-RING 10				*		1	
10	R	11024510	22932453	BRACKET				*		1	1.00
11	R	SM9062053SR	22934707	SCREW M6 L=20				*		2	1.00
12		NM6060001SE		NUT M6				*		2	
13		SM8063012TR		SCREW M6 L=30				*		2	
14		SM9061853SR		SCREW M6 L=17.5				*		1	
15	R	11024205	22932305	KNEE PRESS ROD				*		1	1.00
16		SM6040800SP		SCREW				*		2	
17		22798755		KNEE LIFTING RETRIEVAL BASE.				*		1	
18		22798607		SENSING BASE WASHER				*		1	
19		SM8060812TP		SCREW M6 L=8				*		1	
20		22934251		KNEE PAD PLATE ASM.						1	
21		22934509		KNEE PAD PLATE COVER				*		1	
22		22934608		KNEE PAD UPRIGHT SHAFT				*		1	
23		22934400		KNEE PAD PLATE RUBBER				*		1	
24		22934202		KNEE PAD PLATE				*		1	
25		22934301		KNEE PAD PLATE SUPPORT				*		1	
26		SM9061203SE		SCREW M6 L=12				*		1	
27		22796155		SENSOR PLATE ASM.						1	
28		22796106		SENSOR PLATE				*		1	
29		22798151		SENSOR ASM.				*		1	
30		10621803		MOUNTING SCREW				*		1	
31		EA9500B0000		CLIP CV-70S				*		1	
32		22798359		GROUND WIRE ASM.				*		1	
33		WT0430002KN		WASHER M4				*		1	
34		SL4040891SC		SCREW M4 L=8				*		1	
35		NM6020001SC		NUT M2				*		1	
36	R	11024304	22931703	KNEE PRESS LIFTER ROD						1	1.00
37		22622005		OIL RESERVOIR SPACER, A						1	
38		22622104		OIL RESERVOIR SPACER, B						1	

BELT COVER & BOBBIN WINDER COMPONENTS

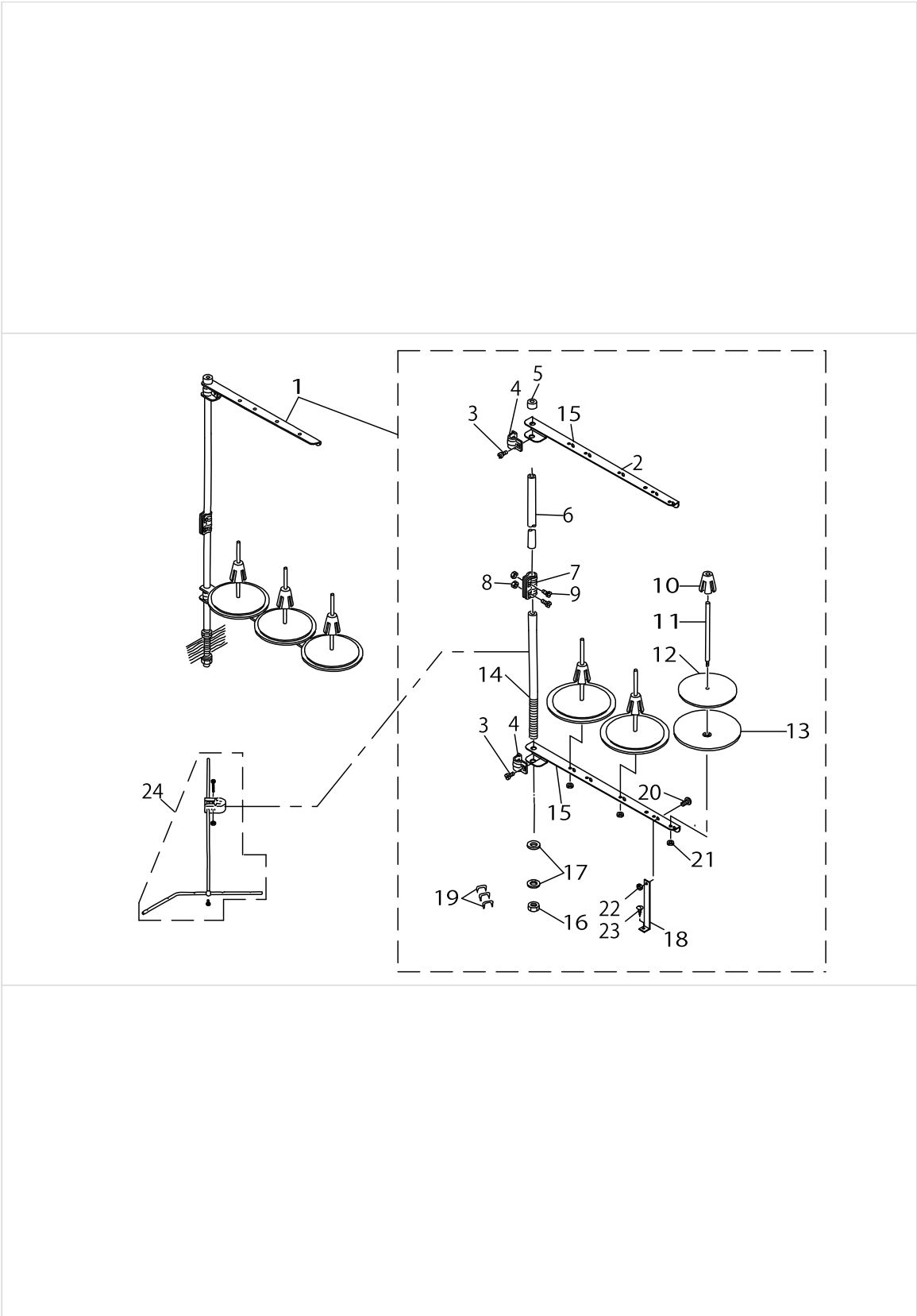


BELT COVER & BOBBIN WINDER COMPONENTS

No.	Supply Code	Parts No.	Replacement	Parts name	Remarks	Choice	Step	Level	Cons	Qty	Rep. QTY
1	D	22603401		BELT COVER A ASM.						1	
2	R	11076858	22933659	BELT COVER B ASM.						1	1.00
3	R	11076809	22933659	BELT COVER B				*		1	1.00
4	R	11076957	22933659	BELT COVER B CAP ASM.				*		1	1.00
5		SS4111215SP		SCREW 11/64-40L=12						1	
6		SS6121610SP		SCREW 3/16-28 L=15.5						1	
7		WS0451040KP		SPRING WASHER 4.5X8.5X1						3	
8		WP0501016SD		WASHER 5X10.5X1						3	
9	R	SK3412000SC	SK3412000SE	WOOD SCREW D=4.1 L=20						2	1.00
10		WP0501016SC		WASHER 5X10.5X1						2	
11	R	11077567	22927354	BOBBIN WINDER COMPL.						1	1.00
12		11078250		THREAD TENSION BRACKET ASM.				*		1	
13		SS7110840SP		SCREW 11/64-40 L=7.8				*		1	
14	R	B3126012000	22921506	THREAD TENSION DISK				*		2	1.00
15	R	B3129012B00	22929004	THREAD TENSION SPRING				*		1	1.00
16	R	B3125012000	22928808	THREAD TENSION NUT				*		1	1.00
17		SS4110515SP		SCREW 11/64-40 L=5				*		1	
18		11078102		PRESSER PLATE				*		1	
19		B3211555000		RUBBER BRAKE				*		1	
20		11078003		POSITIONING FINGER				*		1	
21		SD0490261SP		HINGE SCREW D=4.9 H=2.6				*		1	
22		SS7081310SP		SCREW 1/8-44 L=12.5				*		1	
23		WP0480856SP		WASHER 4.8X8.4X0.8				*		1	
24	R	SK3482500SC	SK3482501SE	WOOD SCREW D=4.8 L=25						2	1.00
25		B8233555000		BELT COVER SUPPORT STUD						2	
26		22790505		SENSOR SUPPORT SHAFT B						1	
27		D2120555C00		CORD PRESSER (120V)						1	
28		SS4111215SP		SCREW 11/64-40L=12						1	
29		WP0501016SC		WASHER 5X10.5X1						2	
30		22837553		BOBBIN DEVICE	FOR JE					1	
31		22621056		TENSION BAR BASE				*		1	
32		SS7110840SP		SCREW 11/64-40 L=7.8				*		1	
33	R	B3126012000	22921506	THREAD TENSION DISK				*		4	1.00
34	R	B3129012B00	22929004	THREAD TENSION SPRING				*		2	1.00
35	R	B3125012000	22928808	THREAD TENSION NUT				*		2	1.00
36		SS4110515SP		SCREW 11/64-40 L=5				*		1	
37		11078102		PRESSER PLATE				*		1	
38		B3211555000		RUBBER BRAKE				*		1	
39		22837504		BOBBIN PRESSER				*		1	
40		SD0490261SP		HINGE SCREW D=4.9 H=2.6				*		1	
41		SS7081310SP		SCREW 1/8-44 L=12.5				*		1	
42		WP0480856SP		WASHER 4.8X8.4X0.8				*		1	
43		WP0501016SC		WASHER 5X10.5X1						2	
44	R	SK3482500SC	SK3482501SE	WOOD SCREW D=4.8 L=25						2	1.00



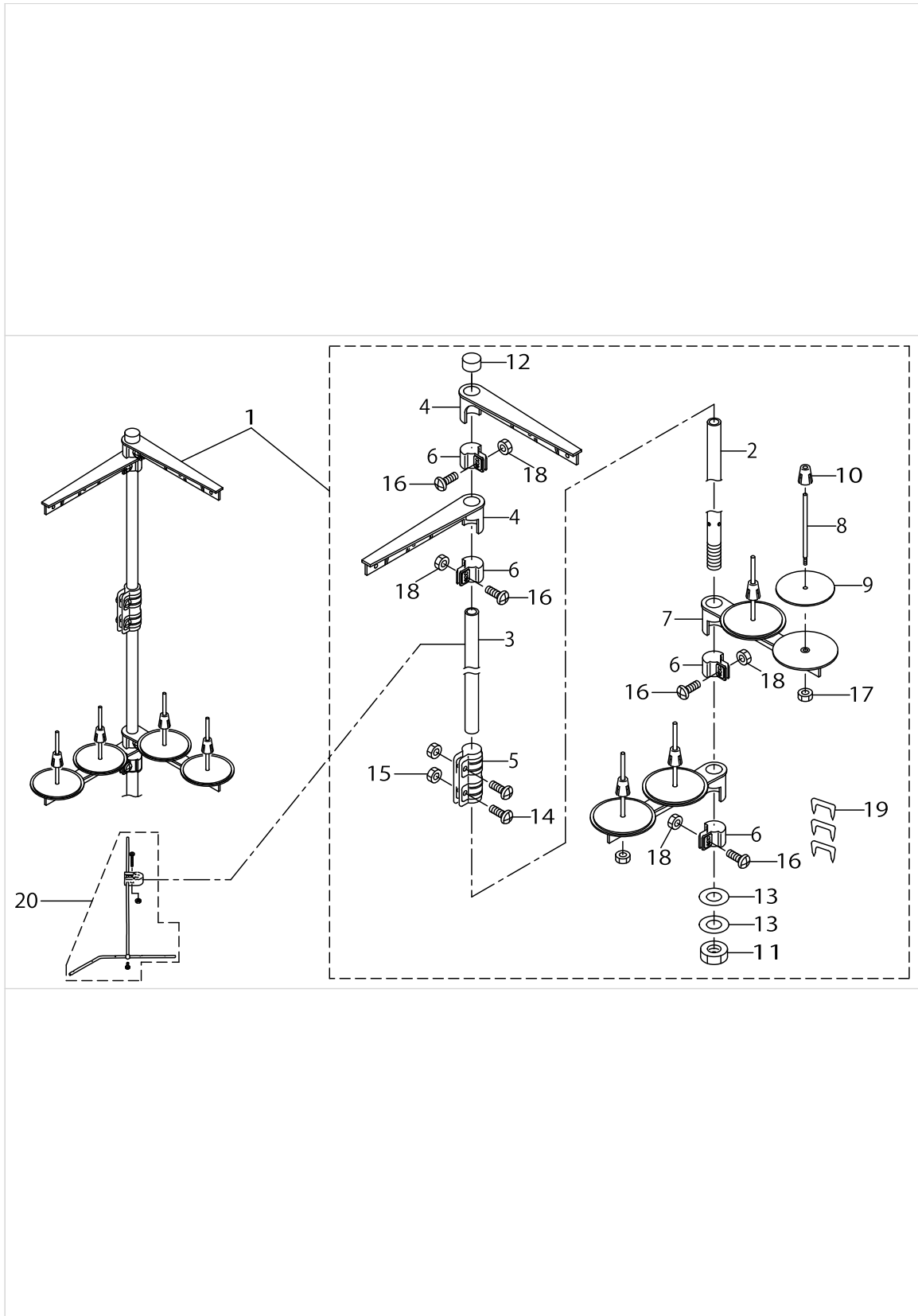
THREAD STAND COMPONENTS (1)



THREAD STAND COMPONENTS (1)

No.	Supply Code	Parts No.	Replacement	Parts name	Remarks	Choice	Step	Level	Cons	Qty	Rep. QTY
1	R	D3301772TAB	26105551	THREAD STAND ASM.		A	LBH,MOL,AVP			1	1.00
1	R	D3301772TAB	26910158	THREAD STAND ASM.		B	LG,LH,LU			1	1.00
2	R	B3319704L00	22931208	THREAD GUIDE				*		3	1.00
3		SM6061610SC		SCREW M6 L=16				*		2	
4		B3318704L00A		THREAD GUIDE ARM JOINT				*		2	
5	R	B3311704000	22931406	SPOOL REST ROD CAP				*		1	1.00
6	R	11185204	40096354	SPOOL REST ROD,UPPER				*		1	1.00
7	R	B3305704000A	40096354	SPOOL REST ROD JOINT				*		1	1.00
8		NM6050001SE		NUT M5				*		2	
9		SM4051405SE		SCREW M5 L=14				*		2	
10	D	11185501		SPOOL RETAINER				*		3	
11	R	B3320704L00A	40085790	SPOOL PIN				*		3	1.00
12	D	B3311012000		SPOOL REST CUSHION				*		3	
13	R	11966504	22930804	SPOOL REST				*		3	1.00
14	R	11185105	40096354	SPOOL REST ROD,LOWER				*		1	1.00
15	R	11969508	13168802	SPOOL REST ARM A				*		2	1.00
16	R	B3317704000	NM6160511SE	NUT				*		1	1.00
17		WP1612616SE		WASHER 16X30X2.6				*		2	
18		B3321704L00		SPOOL REST ARM SUPPORT, A				*		1	
19		MAO11532000		CORD STAPLE				*		3	
20		SM4061201SE		SCREW M6 L=12				*		1	
21		NM6050001SE		NUT M5				*		3	
22		NM6060001SE		NUT M6				*		1	
23		SK3382001SE		SCREW D=3.8 L=20				*		1	
24	R	B33097040A0	26910059	THREAD GUIDE ARM ASM.	FOR TYPE, DESTINATION					1	1.00

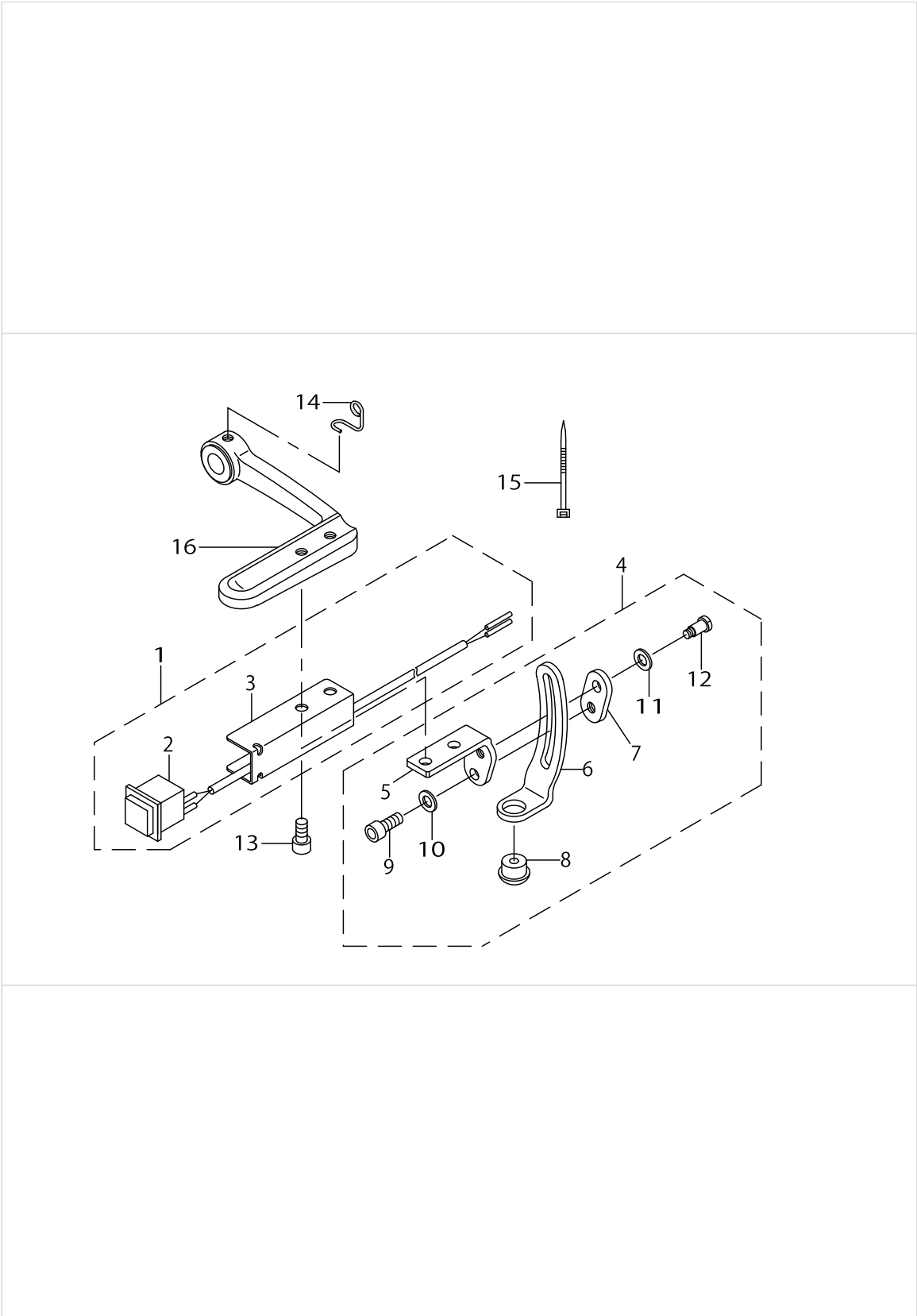
THREAD STAND COMPONENTS (2)



THREAD STAND COMPONENTS (2)

No.	Supply Code	Parts No.	Replacement	Parts name	Remarks	Choice	Step	Level	Cons	Qty	Rep. QTY
1	R	10162758	26910158	THREAD STANDING DEVICE ASM.	FOR JE					1	1.00
2	R	11185105	40096354	SPOOL REST ROD,LOWER				*		1	1.00
3	R	11185204	40096354	SPOOL REST ROD,UPPER				*		1	1.00
4	R	11185352	40096354	THREAD GUIDE ASM.				*		2	1.00
5	R	B3305704000A	40096354	SPOOL REST ROD JOINT				*		1	1.00
6	R	11185402	40096354	THREAD GUIDE ARM JOINT				*		4	1.00
7	D	11185006		SPOOL REST ARM				*		2	
8	R	B3320704L00A	40085790	SPOOL PIN				*		4	1.00
9	D	B3311012000		SPOOL REST CUSHION				*		4	
10	D	11185501		SPOOL RETAINER				*		4	
11	R	B3317704000	NM6160511SE	NUT				*		1	1.00
12	R	B3311704000	22931406	SPOOL REST ROD CAP				*		1	1.00
13		WP1612616SE		WASHER 16X30X2.6				*		2	
14		SM4051405SE		SCREW M5 L=14				*		2	
15		NM6050001SE		NUT M5				*		2	
16		SM4051405SE		SCREW M5 L=14				*		4	
17		NM6050001SE		NUT M5				*		4	
18		NM6050001SE		NUT M5				*		4	
19		MAO11532000		CORD STAPLE				*		3	
20	R	B33097040A0	26910059	THREAD GUIDE ARM ASM.	FOR TYPE, DESTINATION					1	1.00

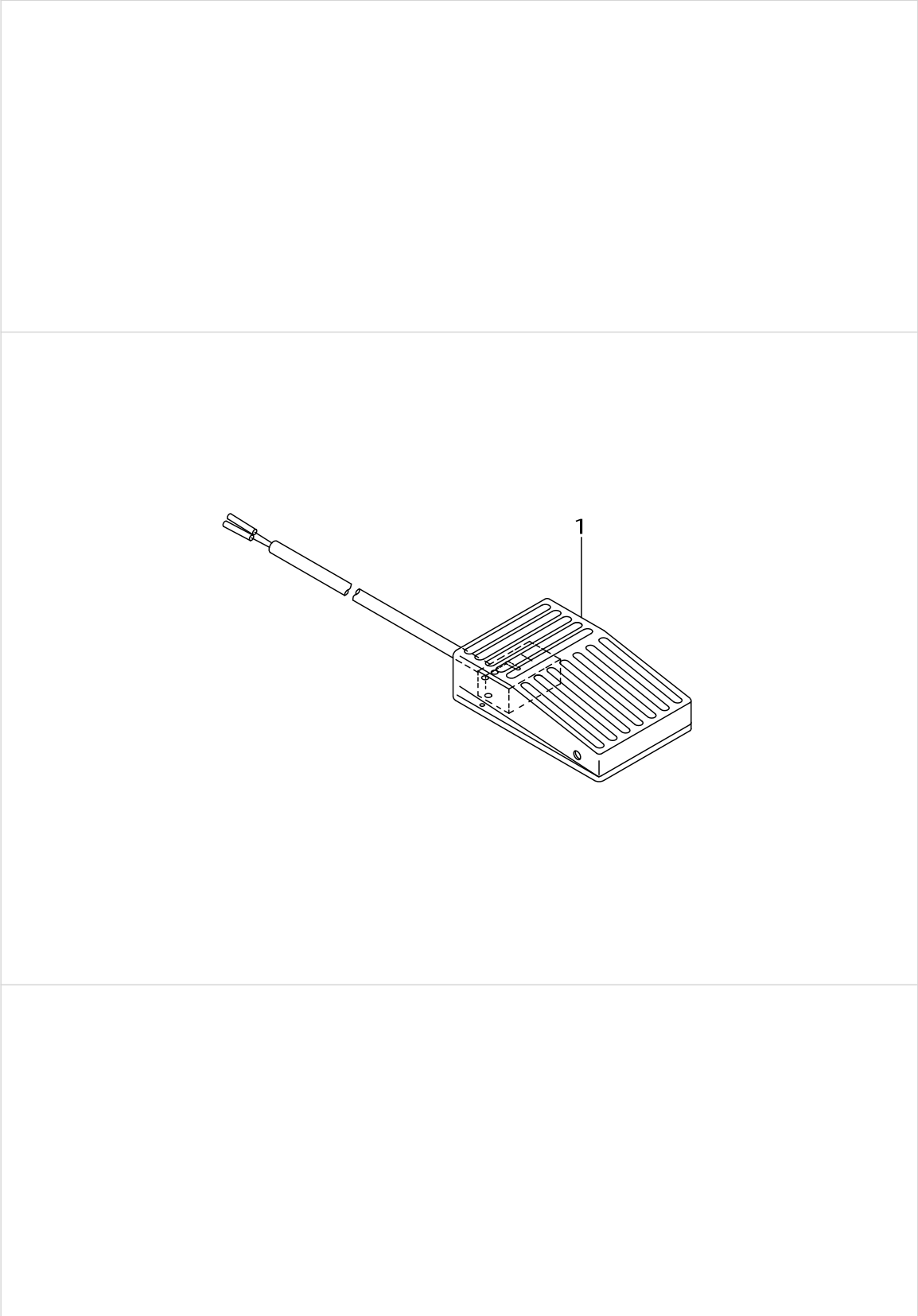
REVERSE FEED CONTROL LEVER COMPENSATION SWITCH SET (OPTION) FOR LH-3182-7



REVERSE FEED CONTROL LEVER COMPENSATION SWITCH SET (OPTION) FOR LH-3182-7

No.	Supply Code	Parts No.	Replacement	Parts name	Remarks	Choice	Step	Level	Cons	Qty	Rep. QTY
1		22798458		COMPENSATION SWITCH ASM.						1	
2		22798250		SWITCH ASM.				*		1	
3		22797104		SWITCH FITTING PLATE				*		1	
4	D	22797252		LEVER STOPPER ASM.						1	
5		22797302		STOPPER FITTING PLATE				*		1	
6		22797203		LEVER STOPPER				*		1	
7		22797401		STOPPER FIXING PLATE				*		1	
8		TA1100604R0		PLUG				*		1	
9		SM6051002TP		SCREW M5X0.8 L=10				*		1	
10		WP0520656SA		WASHER 5.2X9.5X0.6				*		1	
11		WP0531000SE		WASHER				*		1	
12		SD0500721SP		HINGE SCREW D= 5 H= 7.2				*		1	
13		SM6051202TP		SCREW M5X0.8 L=12						2	
14		22798508		SPRINGSUSPENSION						1	
15		EA9500B0100		CABLE BAND						2	
16	D	22797005		REVERSE FEED CONTROL LEVER B						1	

FOOT SWITCH ASM. (OPTION)



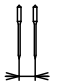


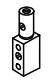
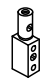
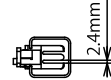
FOOT SWITCH ASM. (OPTION)


No.	Supply Code	Parts No.	Replacement	Parts name	Remarks	Choice	Step	Level	Cons	Qty	Rep. QTY
1		22798052		FOOT SWITCH ASM.						1	


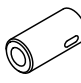



TABLE OF EXCHANGING GAUGE PARTS



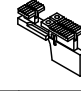


★ Standard spec. 標準仕様

Needle gauge size 針 幅		Throat plate (with Thread Trimmer) 針板(糸切付)		Feed dog (with Thread Trimmer) 送り歯(糸切付)		Needle clamp asm. Left 針 留(組)左		Needle clamp asm. Right 針 留(組)右		Presser Foot asm. 押 さ え(組)		
Code コード												
	inch	mm	Ref.No.	Part No.	Ref.No.	Part No.	Ref.No.	Part No.	Ref.No.	Part No.	Ref.No.	Part No.
B	1/8	3.2										
C	5/32	4.0										
D	3/16	4.8	1	226-60401	8	228-21201	15	B1402-528-DAL-A	22	B1402-528-DAR-A	29	228-16557
E	7/32	5.6	2	226-60500	9	228-21300	16	B1402-528-EAL	23	B1402-528-EAR	30	228-16656
F	1/4	6.4	3	226-60609	10	228-21409	17	B1402-528-FAL-A	24	B1402-528-FAR-A	31	228-16755
G	9/32	7.1	4	226-60708	11	228-21508	18	B1402-528-GAL	25	B1402-528-GAR	32	228-16854
H	5/16	7.9	5	226-60807	12	228-21607	19	B1402-528-HAL-A	26	B1402-528-HAR-A	33	228-16953
K	3/8	9.5	6	226-60906	13	228-21706	20	B1402-528-KAL-A	27	B1402-528-KAR-A	34	228-17050
L	1/2	12.7	7	226-61102	14	228-21805	21	B1402-528-LAL	28	B1402-528-LAR	35	228-17159
M	5/8	15.9										
N	3/4	19.1										
Q	1	25.4										
Stitch spec. 縫 仕 様	S A G		Spec.common 仕様共通				Spec.common 仕様共通					

Needle gauge size 針 幅		Bed Slide asm. (with Thread Trimmer) 滑り板(組) (糸切り付)				
Code コード			Bed Slide asm. (Left) 糸切り滑り板(左)組		Bed Slide asm. (Right) 糸切り滑り板(右)組	
	inch	mm	Ref.No.	Part No.	Ref.No.	Part No.
B	1/8	3.2				
S	5/8	15.9	36	226-50857	39	226-50352
K	3/8	9.5				
L	1/2	12.7	37	226-50956	40	226-50451
S	5/8	15.9				
N	3/4	19.1				
Q	1	25.4	38	226-51053	41	226-50550

Needle gauge size 針 幅		Front Metal 前 メタル		Inner Metal 中 メタル		
Code コード						
	inch	mm	Ref.No.	Part No.	Ref.No.	Part No.
B	1/8	3.2				
S	5/8	15.9	42	B1802-512-0A0-A	44	B1803-515-0A0
N	3/4	19.1				
S	5/8	15.9	43	B1802-512-0AB	45	101-12357
U	1 1/2	38.1				

空環ゲージ

Needle gauge size 針 幅		Throat plate (with Thread Trimmer) 針板(糸切付)		Feed dog (with Thread Trimmer) 送り歯(糸切付)		Presser Foot asm. 押 さ え(組)		Feed Dog Screw 送 り 歯 止 め ね		
Code コード										
	inch	mm	Ref.No.	Part No.	Ref.No.	Part No.	Ref.No.	Part No.	Ref.No.	Part No.
D	3/16	4.8	46	228-35201	48	106-91053	50	B1524-512-DBH	52	SS-6580710-TP
F	1/4	6.4	47	228-35300	49	106-98652	51	B1524-512-FBE	53	SS-6580710-TP

ワイパー

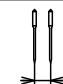




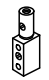
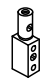
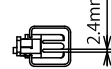
Needle gauge size 針 幅		Wiper ワイパー		
Code コード				
	inch	mm	Ref.No.	Part No.
A	3/32	2.4		
S	5/8	15.9	54	102-09203
K	3/8	9.5		
W	7/16	11.1		
S	5/8	15.9	55	102-09500
M	5/8	15.9		
N	3/4	19.1		
S	5/8	15.9	56	102-09807
P	7/8	22.2		
Q	1 1/2	38.1		
S	5/8	15.9	57	102-09906
S	1 1/4	31.8		


TABLE OF EXCHANGING GAUGE PARTS




No.	Supply Code	Parts No.	Replacement	Parts name	Remarks	Choice	Step	Level	Cons	Qty	Rep. QTY
1		22660401		THROAT PLATE 3/16						1	
2		22660500		THROAT PLATE 7/32						1	
3		22660609		THROAT PLATE 1/4						1	
4		22660708		THROAT PLATE 9/32						1	
5		22660807		THROAT PLATE 5/16						1	
6		22660906		THROAT PLATE 3/8						1	
7		22661102		THROAT PLATE 1/2						1	
8		22821201		THREAD CUTTING FEED DOG 3/16						1	
9		22821300		FEED DOG 7/32 D=2.4						1	
10		22821409		FEED DOG(D=2.4) 1/4						1	
11		22821508		FEED DOG D=2.4 9/32						1	
12		22821607		FEED DOG D=2.4 5/16						1	
13		22821706		FEED DOG 3/8 D=2.4						1	
14		22821805		FEED DOG(D=2.4) 1/2						1	
15		B1402528DALA		NEEDLE CLAMP ASM. LEFT						1	
16		B1402528EAL		NEEDLE CLAMP ASM. 7/32						1	
17		B1402528FALA		NEEDLE CLAMP ASM. 1/4						1	
18		B1402528GAL		NEEDLE CLAMP ASM., LEFT						1	
19		B1402528HALA		NEEDLE CLAMP ASM. 5/16						1	
20		B1402528KALA		NEEDLE CLAMP ASM. 3/8						1	
21		B1402528LAL		NEEDLE CLAMP ASM., LEFT 1/2						1	
22		B1402528DARA		NEEDLE CLAMP ASM. RIGHT						1	
23		B1402528EAR		NEEDLE CLAMP ASM. 7/32						1	
24		B1402528FARA		NEEDLE CLAMP ASM. 1/4						1	
25		B1402528GAR		NEEDLE CLAMP ASM., RIGHT						1	
26		B1402528HARA		NEEDLE CLAMP ASM. 5/16						1	
27		B1402528KARA		NEEDLE CLAMP ASM. 3/8						1	
28		B1402528LAR		NEEDLE CLAMP ASM., RIGHT 1/2						1	
29		22816557		TIP-DIVIDED PRESSER ASM. 3/16						1	
30		22816656		TIP-DIVIDED PRESSER ASM. 7/32						1	
31		22816755		PRESSER FOOT ASM. 1/4						1	
32		22816854		TIP-DIVIDED PRESSER ASM. 9/32						1	
33		22816953		TIP-DIVIDED PRESSER ASM. 5/16						1	
34		22817050		PRESSER FOOT ASM. D=2.4 (3/8)						1	
35		22817159		PRESSER FOOT ASM. D=2.4 (1/2)						1	
36		22650857		BED SLIDE LEFT, ASM., A						1	
37		22650956		LEFT SLIDER PLATE B ASM.						1	
38		22651053		BED SLIDE LEFT, ASM., C						1	
39		22650352		BED SLIDE RIGHT, ASM., A						1	
40		22650451		RIGHT SLIDER PLATE B ASM.						1	
41		22650550		BED SLIDE RIGHT, ASM., C						1	
42		B18025120A0A		BUSHING ASM., FRONT						1	
43		B18025120AB		BUSHING ASM., FRONT						1	
44		B18035150A0		BUSHING ASM., INTERMEDIATE						1	
45		10112357		BUSHING ASM. INTERMEDIATE						1	
46		22835201		THROAT PLATE (P=4) 3/16						1	

TABLE OF EXCHANGING GAUGE PARTS



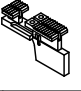


★ Standard spec. 標準仕様

Needle gauge size 針 幅		Throat plate (with Thread Trimmer) 針板(糸切付)		Feed dog (with Thread Trimmer) 送り歯(糸切付)		Needle clamp asm. Left 針 留(組)左		Needle clamp asm. Right 針 留(組)右		Presser Foot asm. 押 さ え(組)		
Code コード												
	inch	mm	Ref.No.	Part No.	Ref.No.	Part No.	Ref.No.	Part No.	Ref.No.	Part No.	Ref.No.	Part No.
B	1/8	3.2										
C	5/32	4.0										
D	3/16	4.8	1	226-60401	8	228-21201	15	B1402-528-DAL-A	22	B1402-528-DAR-A	29	228-16557
E	7/32	5.6	2	226-60500	9	228-21300	16	B1402-528-EAL	23	B1402-528-EAR	30	228-16656
F	1/4	6.4	3	226-60609	10	228-21409	17	B1402-528-FAL-A	24	B1402-528-FAR-A	31	228-16755
G	9/32	7.1	4	226-60708	11	228-21508	18	B1402-528-GAL	25	B1402-528-GAR	32	228-16854
H	5/16	7.9	5	226-60807	12	228-21607	19	B1402-528-HAL-A	26	B1402-528-HAR-A	33	228-16953
K	3/8	9.5	6	226-60906	13	228-21706	20	B1402-528-KAL-A	27	B1402-528-KAR-A	34	228-17050
L	1/2	12.7	7	226-61102	14	228-21805	21	B1402-528-LAL	28	B1402-528-LAR	35	228-17159
M	5/8	15.9										
N	3/4	19.1										
Q	1	25.4										
Stitch spec. 縫 仕 様	S A G		Spec.common 仕様共通				Spec.common 仕様共通					

Needle gauge size 針 幅		Bed Slide asm. (with Thread Trimmer) 滑り板(組) (糸切り付)				
Code コード			Bed Slide asm. (Left) 糸切り滑り板(左)組		Bed Slide asm. (Right) 糸切り滑り板(右)組	
	inch	mm	Ref.No.	Part No.	Ref.No.	Part No.
B	1/8	3.2				
S	5/8	15.9	36	226-50857	39	226-50352
K	3/8	9.5				
L	1/2	12.7	37	226-50956	40	226-50451
S	5/8	15.9				
N	3/4	19.1				
Q	1	25.4	38	226-51053	41	226-50550

Needle gauge size 針 幅		Front Metal 前 メタル		Inner Metal 中 メタル		
Code コード						
	inch	mm	Ref.No.	Part No.	Ref.No.	Part No.
B	1/8	3.2				
S	5/8	15.9	42	B1802-512-0A0-A	44	B1803-515-0A0
N	3/4	19.1				
S	5/8	15.9	43	B1802-512-0AB	45	101-12357
U	1 1/2	38.1				

空環ゲージ

Needle gauge size 針 幅		Throat plate (with Thread Trimmer) 針板(糸切付)		Feed dog (with Thread Trimmer) 送り歯(糸切付)		Presser Foot asm. 押 さ え(組)		Feed Dog Screw 送 り 歯 止 め ね		
Code コード										
	inch	mm	Ref.No.	Part No.	Ref.No.	Part No.	Ref.No.	Part No.	Ref.No.	Part No.
D	3/16	4.8	46	228-35201	48	106-91053	50	B1524-512-DBH	52	SS-6580710-TP
F	1/4	6.4	47	228-35300	49	106-98652	51	B1524-512-FBE	53	SS-6580710-TP

ワイパー



Needle gauge size 針 幅		Wiper ワイパー		
Code コード				
	inch	mm	Ref.No.	Part No.
A	3/32	2.4		
S	5/8	15.9	54	102-09203
K	3/8	9.5		
W	7/16	11.1		
S	5/8	15.9	55	102-09500
M	5/8	15.9		
N	3/4	19.1		
S	5/8	15.9	56	102-09807
P	7/8	22.2		
Q	1 1/2	25.4		
S	5/8	15.9	57	102-09906
S	1 1/4	31.8		

TABLE OF EXCHANGING GAUGE PARTS

No.	Supply Code	Parts No.	Replacement	Parts name	Remarks	Choice	Step	Level	Cons	Qty	Rep. QTY
47		22835300		THROAT PLATE (P=4) 1/4						1	
48	D	10691053		FEEDDOG 3/16" ASM.						1	
49		10698652		FEED DOG 1/4 ASM.						1	
50		B1524512DBH		PRESSER FOOT 3/16 ASM.						1	
51	D	B1524512FBE		PRESSER FOOT ASM. 1/4						1	
52		SS6580710TP		SCREW						1	
53		SS6580710TP		SCREW						1	
54		10209203		WIPER 3/32"-3/8						1	
55		10209500		WIPER						1	
56		10209807		WIPER						1	
57		10209906		WIPER						1	



## HOW TO MAKE USE OF THIS PARTS LIST

### 1.Explanation of codes

1)"\*"mark.....means this part is changed from the previous parts book.

As to the details of the change, refer to the "List for information of change".

2)"#01".....refer to "Note" explanation at bottom of page.

### 2.Codes on the "Qty" column

- Each numeral indicates the number of parts required.
- "0.1" and "2.5" indicate the length (in meters) of the respective parts.

3.Parentheses mean that the corresponding part is a subpart that constructs an assembly part.

4.Dotted lines on the Figures indicate assembly parts.

### 1."注記"欄の記号説明

1) "\*"印.....前回のパーツブックに比較して今回変更された部品を意味します。

変更内容は、"変更情報リスト"を参照してください。

2) "#01".....ページ下の"注記"の説明を参照してください。

2.数量欄の数字は、個数を表し、0.1、2.5等の数値は、長さ（単位メートル）を表します。

3.数量欄の（ ）は、組部品を構成している子部品であることを意味します。

4.イラストページの-----枠は、組構成であることを意味します。

# NUMERICAL INDEX OF PARTS

PART NO	PAGE	REF NO.	PART NO	PAGE	REF NO.	PART NO	PAGE	REF NO.
10004109	4	53	10211407	26	6	11076858	46	2
10101004	2	3	10211605	26	2	11076957	46	4
10106102	20	47	10216703	38	4	11077567	46	11
10107902	18	36	10231603	14	18	11078003	46	20
10108009	18	12	10315208	20	59	11078102	46	37
10108512	14	1	10315455	20	60	11078250	46	12
10108611	14	11	10315505	20	53	11093606	12	12
10109908	14	39	10602902	2	2	11100500	34	23
10110500	14	25	10604809	6	29	11110301	36	13
10110609	14	26	10611457	14	14	11110400	36	11
10111201	16	49	10621803	44	30	11110509	36	12
10112001	14	6	10623403	38	34	11110707	36	8
10112357	56	45	10691053	58	48	11111705	36	14
10112407	14	40	10697506	12	33	11111804	36	21
10112803	14	32	10697605	12	3	11185006	50	7
10116051	26	3	10698652	58	49	11185105	48	14
10116606	26	23	10741106	12	11	11185105	50	2
10116705	26	40	10741759	4	49	11185204	48	6
10116754	26	37	11006202	22	7	11185204	50	3
10116804	26	15	11006350	22	6	11185352	50	4
10116903	26	35	11006509	22	11	11185402	50	6
10117109	26	24	11007101	22	13	11185501	48	10
10117208	26	18	11007309	22	8	11185501	50	10
10117851	28	55	11009909	18	17	11394509	22	23·24
10119105	34	4	11018108	22	20	11956802	12	19
10119204	34	5	11018207	22	19	11966504	48	13
10124204	12	10	11024015	42	7	11969508	48	15
10124303	12	14	11024015	44	7	13515606	34	26
10125201	22	16	11024106	42	8	13765607	38	44
10161305	34	3	11024106	44	8	22602601	2	39
10162204	42	2	11024205	42	11	22603112	2	25
10162253	42	1	11024205	44	15	22603203	2	27
10162600	42	3	11024304	42	23	22603401	46	1
10162600	44	3	11024304	44	36	22603906	6	30
10162758	50	1	11024510	44	10	22604003	6	41
10208551	36	29	11032562	6	28	22604300	6	7
10208700	36	32	11047107	42	4	22604409	6	37
10209203	36	35	11047107	44	4	22604607	6	33
10209203	58	54	11052701	18	19	22604656	6	32
10209500	36	36	11071602	22	36	22604904	6	5
10209500	58	55	11071701	22	37	22605307	6	2
10209807	36	37	11071800	22	1	22605356	6	1
10209807	58	56	11072402	12	13	22605406	6	9
10209906	36	38	11072709	36	2	22607006	10	69
10209906	58	57	11076809	46	3	22607105	10	73

# NUMERICAL INDEX OF PARTS

PART NO	PAGE	REF NO.	PART NO	PAGE	REF NO.	PART NO	PAGE	REF NO.
22607204	10	74	22618904	12	24	22654602	28	49
22607303	10	67	22619001	38	28	22654701	26	26
22607402	10	68	22619209	38	11	22654800	26	14
22608004	22	41	22619415	38	18	22654909	22	25
22608103	22	10	22619605	38	27	22654958	22	22
22608152	22	5	22619704	40	64	22655005	28	60
22609101	18	28	22619803	38	25	22655104	26	22
22609200	18	24	22619902	38	23	22655153	26	20
22609309	20	55	22620108	38	9	22656003	34	27
22609408	20	42	22620355	38	6	22656102	34	19
22609606	20	54	22620454	38	7	22656201	34	18
22609705	18	35	22620504	38	14	22656300	34	14
22609754	18	34	22620702	38	8	22656409	34	13
22609804	14	8	22620801	22	32	22657050	36	28
22610000	18	6	22620801	38	21	22657100	36	18
22610109	18	2	22620900	2	12	22657159	36	1
22610208	18	4	22621056	46	31	22657209	36	6
22610307	18	8	22622005	42	24	22657308	36	9
22610406	18	22	22622005	44	37	22657803	2	10
22610505	20	15·63	22622104	42	25	22660401	56	1
22612501	14	35	22622104	44	38	22660500	56	2
22613400	16	67	22622401	6	31	22660609	2	36
22613608	16	70	22650055	2	38	22660609	56	3
22615009	16	57	22650352	2	37	22660708	56	4
22615108	16	56	22650352	56	39	22660807	56	5
22615207	16	60	22650451	56	40	22660906	56	6
22615306	16	59	22650550	56	41	22661102	56	7
22615454	16	55	22650857	2	35	22680003	2	30
22615702	16	61	22650857	56	36	22680250	2	18
22615801	16	63	22650956	56	37	22680607	6	13
22615959	16	64	22651053	56	38	22680656	6	12
22616254	16	65	22651202	4	46	22681316	8	27
22617005	22	34	22651459	2	40	22681407	8	25
22617104	22	23·24	22651509	6	21	22681506	8	26
22617609	12	27	22651558	6	20	22681712	8	8
22617708	12	21	22651566	6	19	22681803	10	65
22617807	12	20	22651608	6	8	22681951	8	9~13
22617906	12	16	22652002	18	25	22682058	8	9~13
22618052	12	9	22652101	18	9	22682157	8	9~13
22618102	12	6	22654008	28	61	22682256	8	9~13
22618201	12	4	22654107	26	31	22682355	8	9~13
22618300	12	5	22654305	28	53	22682702	8	7
22618557	12	1	22654404	26	44	22682850	10	66
22618706	12	2·36	22654503	28	48	22683007	10	53
22618805	12	28·37	22654552	28	47	22683056	10	47



## NUMERICAL INDEX OF PARTS

PART NO	PAGE	REF NO.	PART NO	PAGE	REF NO.	PART NO	PAGE	REF NO.
22683106	10	51	22795504	30	20	22816755	56	31
22683205	10	49	22795553	30	19	22816854	56	32
22683304	10	50	22795603	30	17	22816953	56	33
22683403	10	54	22795702	30	22	22817050	56	34
22683502	10	60	22795801	30	29	22817159	56	35
22683601	10	62	22795900	30	12	22818009	4	15-50
22683809	10	52	22796106	44	28	22819007	16	53
22683908	10	58	22796155	44	27	22819106	16	52
22684005	10	59	22796205	44	2	22819304	14	31
22684104	10	55	22796254	44	1	22819403	14	30
22684203	10	57	22796551	30	15	22819502	14	29
22684609	10	64	22796700	32	6	22819809	14	20
22685101	8	31	22796759	32	4-5	22819908	14	19
22685150	8	30	22796809	32	2	22820104	26	5
22685200	8	41	22796908	32	1	22820153	26	4
22685200	10	41	22797005	18	15-63	22820203	26	10
22685309	10	40	22797005	52	16	22820302	26	11
22685358	10	39	22797104	52	3	22820666	16	75
22685408	8	42	22797203	52	6	22821201	56	8
22685408	10	42	22797252	52	4	22821300	56	9
22685705	8	2	22797302	52	5	22821409	18	33
22685804	8	22	22797401	52	7	22821409	56	10
22685903	8	18	22797559	32	7-8	22821508	56	11
22686000	8	21	22797757	30	23-24	22821607	56	12
22686158	8	24	22798052	54	1	22821706	56	13
22686307	40	59	22798151	44	29	22821805	56	14
22686455	40	61	22798250	52	2	22827208	14	27
22687008	30	10	22798359	44	32	22827257	14	22
22693253	8	29	22798458	52	1	22827307	14	28
22693352	8	38	22798508	52	14	22827406	14	24
22693451	8	4	22798607	44	18	22827505	16	72
22790000	30	25	22798755	44	17	22827653	16	71
22790356	30	16	22810105	2	15-50	22827703	16	73
22790455	32	4-5	22811301	2	41	22831259	14	21
22790505	46	26	22811400	2	23	22835201	56	46
22792550	30	31	22811558	4	45	22835300	58	47
22792659	30	36	22812952	16	51	22835805	12	28-37
22792758	32	7-8	22813000	14	42	22837504	46	39
22792956	30	23-24	22813109	16	45	22837553	46	30
22795108	30	2	22813208	14	38	22904155	20	49
22795157	30	1	22813703	14	33	22907109	24	43
22795207	30	3	22814008	14	34	22907703	22	38
22795306	30	7	22816557	56	29	22908552	22	4
22795355	30	6	22816656	56	30	22908800	22	15
22795405	30	8	22816755	24	44	22911903	18	20

# NUMERICAL INDEX OF PARTS

PART NO	PAGE	REF NO.	PART NO	PAGE	REF NO.	PART NO	PAGE	REF NO.
22912109	18	18	B1425526000	8	46	B3305704000A	48	7
22920706	2	21	B1425526000	10	46	B3305704000A	50	5
22932453	42	10	B1438512B00	10	77	B33097040A0	48	24
22934202	42	20	B1501581000	22	40	B33097040A0	50	20
22934202	44	24	B1505227T00A	22	39	B3311012000	48	12
22934251	42	16	B1505804000	30	21	B3311012000	50	9
22934251	44	20	B1506352000	34	25	B3311704000	48	5
22934301	42	21	B1515051000	28	46	B3311704000	50	12
22934301	44	25	B1521555000	22	2	B3317704000	48	16
22934400	42	19	B1524512DBH	58	50	B3317704000	50	11
22934400	44	23	B1524512FBE	58	51	B3318704L00A	48	4
22934509	42	17	B1603512000	20	45	B3319704L00	48	2
22934509	44	21	B1604012000A	20	40	B3320704L00A	48	11
22934608	42	18	B1610512000	18	30	B3320704L00A	50	8
22934608	44	22	B1633470000	20	62	B3321704L00	48	18
22951552	2	7	B1636581B00	18	29	B3417051000	28	62
23204001	6	6	B1653470000	20	50	B3418180000	26	17
23204506	8	14~16	B1705850000	10	61	B3517009000	38	17
23204605	8	14~16	B18025120A0A	14	2	B3524552000	40	53
23204704	8	14~16	B18025120A0A	56	42	B3530555000	38	1
23204951	8	5	B18025120AB	56	43	B3534012000	40	62
23630007	38	63	B18035150A0	14	10	B3534155000	40	51
23630007	40	63	B18035150A0	56	44	B3538112000	40	56
B1104051000	2	29	B1816512000	14	4	B8233555000	46	25
B1202512000	6	16	B1821051000	16	44	BT0500300EA	18	32
B1214038000	40	52	B1823051000	16	48	CM300200001	4	56·57
B1402528DALA	56	15	B1834512000A	38	36	CM3002000B1	4	56·57
B1402528DARA	56	22	B1850512000	38	31	CM300200101	4	54·55
B1402528EAL	56	16	B1851512000	38	30	CM3002001A1	4	54·55
B1402528EAR	56	23	B2024771000	36	7	CQ202000000	6	3
B1402528FALA	8	36	B3041980000	28	59	CQ202000000	14	47
B1402528FALA	56	17	B3112704000	12	18	CQ202000000	16	47
B1402528FARA	10	45	B3114232000	12	17	CQ252000000	6	10
B1402528FARA	56	24	B3125012000	46	35	CQ252000000	10	63
B1402528GAL	56	18	B3126012000	12	15	CQ252000000	20	51
B1402528GAR	56	25	B3126012000	46	33	CQ505000000	6	14
B1402528HALA	56	19	B3128520000	12	2·36	CS0300711SP	36	22
B1402528HARA	56	26	B3129012B00	46	34	CS0700811SH	26	33
B1402528KALA	56	20	B31375270A0	12	29	CS102121ASH	18	10
B1402528KARA	56	27	B3138527000	12	26	CS1470710SH	26	29
B1402528LAL	56	21	B3139527000	12	30	CS1471012SH	14	16
B1402528LAR	56	28	B3141527000	12	22	D2112555B00	2	47
B1414512000	10	76	B3142527000	12	31	D2112555B00	4	47
B1416528000	8	43	B3143527000	12	32	D2120555C00	30	37
B1416528000	10	43	B3211555000	46	38	D2120555C00	46	27

# NUMERICAL INDEX OF PARTS

PART NO	PAGE	REF NO.	PART NO	PAGE	REF NO.	PART NO	PAGE	REF NO.
D2427555B00B	26	42	NS6110310SP	36	10	SL4030681SC	30	34
D2428555B00A	26	41	NS6110310SP	38	37	SL4030681SF	32	10
D2430555B00	26	39	NS6110420SP	16	46	SL4031091SC	30	30
D2464555B00	34	8	NS6110420SP	38	16	SL4040891SC	44	34
D3159555B00	22	26	NS6120310SP	38	13	SM0081001SD	42	5
D3163555B00A	22	30	NS6150430SP	10	72	SM0081001SD	44	5
D3164555B00	22	28	NS6620310SP	22	27	SM4030401SC	30	27
D3171415B0H	16	62	NS6680320SP	20	56	SM4030601SN	36	20
D3301772TAB	48	1	NS6700420SP	38	20	SM4051405SE	48	9
EA9500B0000	44	31	PS0300201KP	26	25	SM4051405SE	50	16
EA9500B0100	28	65	PS0600502KP	22	35	SM4061201SE	48	20
EA9500B0100	40	58	RE0320000K0	36	31	SM6040800SP	44	16
EA9500B0100	52	15	RE0400000K0	34	9	SM6051002TP	52	9
GAK33070000	42	15	RE0500000K0	18	3	SM6051202TP	52	13
HA000590000	36	15	RE0500000K0	22	18	SM6061610SC	48	3
HF0041010S0	30	32	RE0500711KP	20	39	SM6082502TP	16	69
HK034610140	28	57	RE0900000K0	18	13	SM8050502TP	20	41
HK03464000B	28	56	RE1000000K0	42	9	SM8060812TP	44	19
HK03464000B	34	21	RE1000000K0	44	9	SM8063012TR	42	13
HK03464000B	36	24	RO037180100	22	3	SM8063012TR	44	13
HW200390000	36	16	RO092270200	18	16	SM9061203SE	42	22
HW500070000	36	17	RO098240100	42	6	SM9061203SE	44	26
HX00056000B	30	33	RO098240100	44	6	SM9061853SR	42	14
M4002110000	6	22	RO195240100	38	2	SM9061853SR	44	14
M40071100AA	6	23	RO437200200	6	35	SM9062053SR	44	11
M40071100AB	6	24	SB120000100	6	34	SQ1110401MZ	38	50
M6045350AAA	4	51	SB30953010A	16	50	SQ1110401MZ	40	50
MAO11532000	48	19	SD0470281SP	12	7	SQ1150451MZ	38	39
MAO11532000	50	19	SD0490261SP	46	40	SS2080810SP	26	1
MC200501300	8	1-3	SD0500301SP	36	27	SS2090710TP	2	32
MDP500B2100	8	1-3	SD0500721SP	52	12	SS2110920TP	2	34
NM6020001SC	44	35	SD0600271SP	26	19	SS2110920TP	26	27
NM6030001SC	30	35	SD0600281TP	30	4	SS2110930SP	26	28
NM6040001SD	30	18	SD0600322SD	22	17	SS2110930SP	38	29
NM6050001SE	48	21	SD0640231SP	30	9	SS3090520SP	36	33
NM6050001SE	50	18	SD0640321SP	34	20	SS3090610SP	2	42
NM6050001SP	26	43	SD0650305TP	28	52	SS4090715SP	8	6
NM6060001SE	42	12	SD0650321TP	36	5	SS4090815SP	8	17
NM6060001SE	44	12	SD0720332SP	22	14	SS4110515SP	16	66
NM6060001SE	48	22	SD0800422CP	18	5	SS4110515SP	22	21
NS6080210SP	20	43	SD0870601SP	10	71	SS4110515SP	46	36
NS6090310SP	36	26	SD0900701TP	20	58	SS4110615SP	12	34
NS6090310SP	38	33	SK3382001SE	48	23	SS4110615SP	38	24
NS6110310SN	38	5	SK3412000SC	46	9	SS4110715SP	22	29
NS6110310SP	12	8	SK3482500SC	46	44	SS4110715SP	38	26

NUMERICAL INDEX OF PARTS

PART NO	PAGE	REF NO.	PART NO	PAGE	REF NO.	PART NO	PAGE	REF NO.
SS4110815SP	2	1	SS6152440SP	10	70	SS8660810TP	14	5
SS4110815SP	16	58	SS6153040SP	14	41	SS8660810TP	24	42
SS4110815SP	18	23	SS6560150SH	14	23	SS8660810TP	26	32
SS4110815SP	40	57	SS6580710TP	58	53	SS8680540SP	6	15
SS4111015SP	4	52	SS6580752TP	18	31	SS8680810TP	6	40
SS4111015SP	22	33	SS6661110SP	6	18	SS8681650TP	6	39
SS4111215SP	22	31	SS6661110SP	18	26	SS8701782TP	38	19
SS4111215SP	38	15	SS7060310SP	10	48	SS9080410SP	26	8
SS4111215SP	46	28	SS7081310SP	46	41	SS9110460CP	2	31
SS4111815SP	38	3	SS7090510SP	12	25	SS9110460CP	30	11
SS4120615SP	2	48	SS7090610SP	40	60	SS9111010SP	28	50
SS4120615SP	4	48	SS7090710SP	26	12	SS9111010SP	34	7
SS4120615SP	12	38	SS7090910SP	38	32	SS9111010SP	36	30
SS4120615SP	34	28	SS7090910TP	24	45	SS9151440CP	18	37
SS4120615SP	36	25	SS7110510SP	20	61	ST4030851SN	32	9
SS4121015SP	2	19	SS7110710SP	8	20	TA0500601M0	16	74
SS4153015SP	34	15	SS7110710SP	14	13	TA0750704R0	2	13
SS5090610SP	26	9	SS7110710SP	18	27	TA1100604R0	52	8
SS6060510TP	8	23	SS7110710SP	34	1	TA1250406R0	2	20
SS6080320SP	36	23	SS7110840SP	46	32	WP0320501SC	36	4
SS6080340SP	10	56	SS7110910SP	20	52	WP0371016SD	14	37
SS6080410SP	8	28	SS7111310TP	20	46	WP0371016SD	36	34
SS6081810SP	20	44	SS7111810SP	16	54	WP0450000SD	8	19
SS6090630SP	2	33	SS7120760SP	6	17	WP0450801SD	6	27
SS6090670TP	18	1	SS7120760SP	14	15	WP0480856SP	46	42
SS6090810SP	14	36	SS7120760SP	34	22	WP0501016SC	46	43
SS6111140SP	2	4	SS7120910SP	18	14	WP0501016SD	12	35
SS6111210SP	6	26	SS7121410SP	18	7	WP0501016SD	28	64
SS6111610SP	38	35	SS7151210SP	34	10	WP0501016SD	34	6
SS6120940SP	28	63	SS7151610SP	26	16	WP0501016SD	46	8
SS6120940SP	32	3	SS7681750TP	6	38	WP0520656SA	52	10
SS6121010SP	30	13	SS8080610SP	26	7	WP0531000SE	52	11
SS6121212TP	26	13	SS8110410TP	26	30	WP0612056SD	34	17
SS6121610SP	30	14	SS8110510SP	26	34	WP0621016SD	20	38
SS6121610SP	38	12	SS8111010TP	26	21	WP0621016SD	30	5
SS6121610SP	46	6	SS8120740SP	2	22	WP0621016SD	34	12
SS6121610TP	10	75	SS8150410TP	4	43	WP0753016SZ	26	36
SS6121610TP	20	57	SS8150822TP	6	11	WP0850002SP	16	68
SS6121610TP	26	54	SS8151150SP	4	44	WP1612616SE	48	17
SS6121610TP	28	54	SS8151150SP	14	12	WP1612616SE	50	13
SS6121840SP	34	24	SS8151150SP	20	48	WS0310002KN	30	26
SS6121860SP	18	21	SS8151550SP	6	25	WS0310002KN	36	19
SS6151040SP	28	58	SS8660530TP	6	36	WS0451040KP	46	7
SS6151220SP	26	38	SS8660530TP	14	17	WS0610002KP	34	16
SS6151780SP	2	14	SS8660610TP	18	11	WS0631510KP	34	11

## NUMERICAL INDEX OF PARTS

PART NO	PAGE	REF NO.
WT0430002KN	44	33
WT0530002KS	2	9